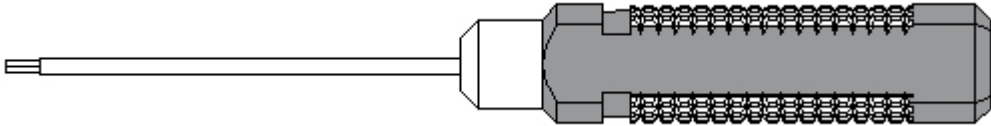
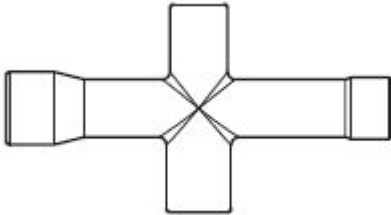
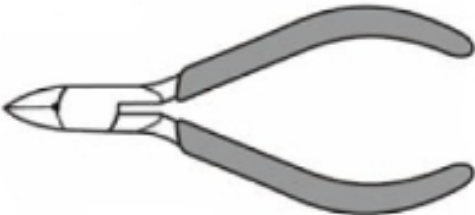



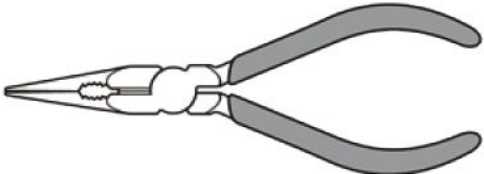


RC4WD
GELANDE II
RTR TRUCK KIT W/CRUISER BODY SET



www.rc4wd.com



Recommended Tools	
	
Hex Drivers (1.5mm, 2mm, 2.5mm)	
	
Cross Wrench (M2,M3,M4)	Side Cutter
	
Modeling/Craft Knife	Plastic Cement/Glue (Non-Whitening CA Glue)
	
Thread Lock	Long Nose Pliers

Tips for Assembly

Use good quality hex drivers to avoid stripping screw heads.

Use thread lock when putting metal screws into metal parts.

Use thread lock sparingly.

Do not over tighten screws otherwise you may strip the thread.



RC4WD Limited Warranty

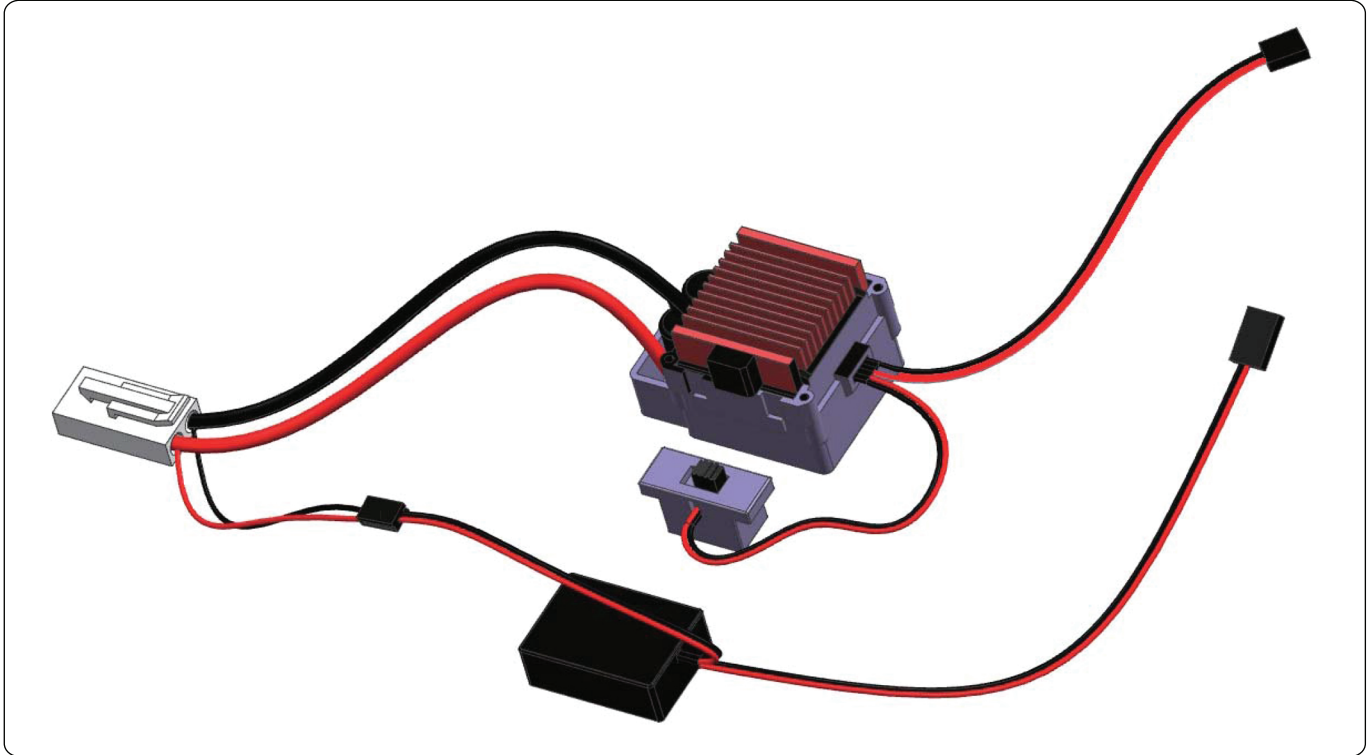
All RC4WD products are warranted to be free of defects in materials and workmanship when new. Our limited warranty does not cover damages due to normal wear and tear, user error of assembly or installation, user modifications, user's failure to perform routine maintenance, addition of aftermarket parts or option parts. This warranty lasts as long as the original purchaser owns the product. In the event of a defect under this warranty, RC4WD will, at our discretion, replace the product, provided our inspection indicates that an original defect exists. RC4WD reserves the right to replace any product which is no longer available with a product of comparable value and function. If RC4WD determines the repair is not covered under warranty guidelines, we will contact you to discuss your options. If you have any questions, please contact us via email at support@rc4wd.com.



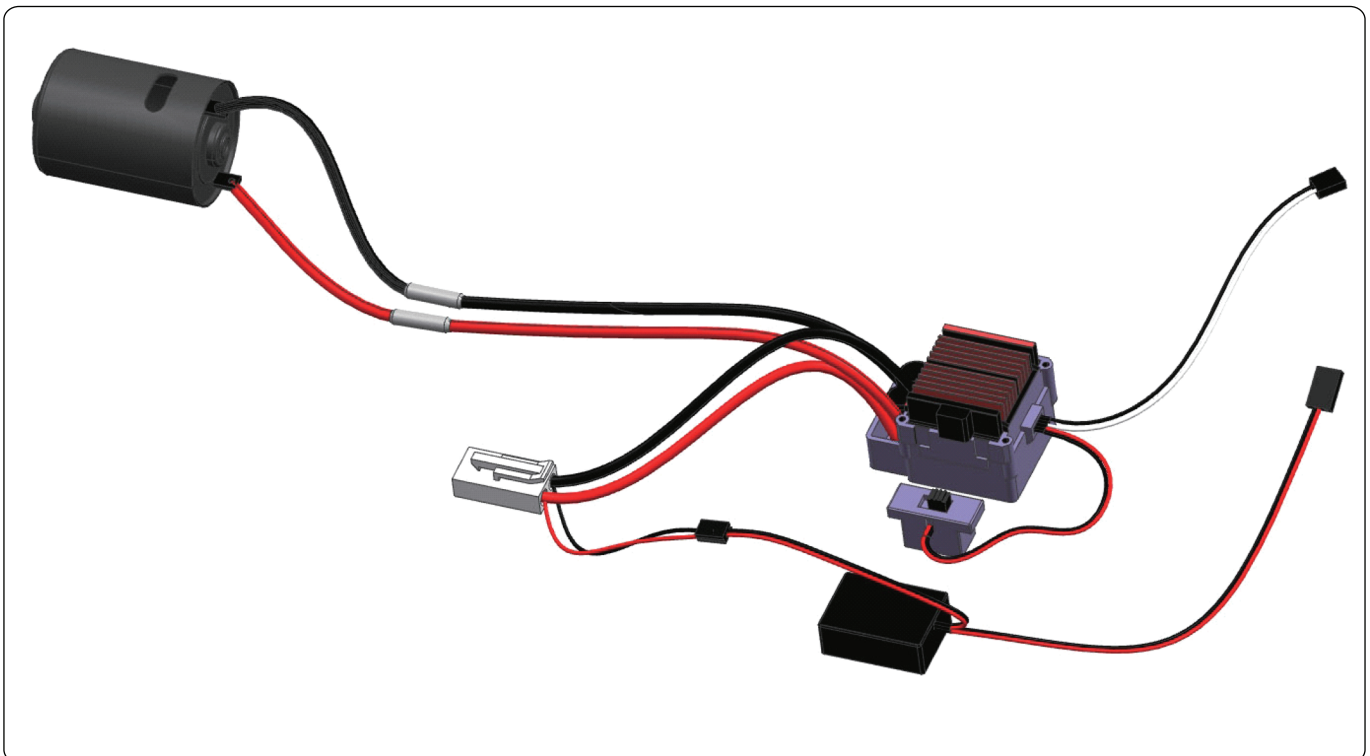
Electronic Manual

This is a step by step overview of your new Gelande II RTR electrical items and how they connect.

1. ESC with BEC (Z-E0007)

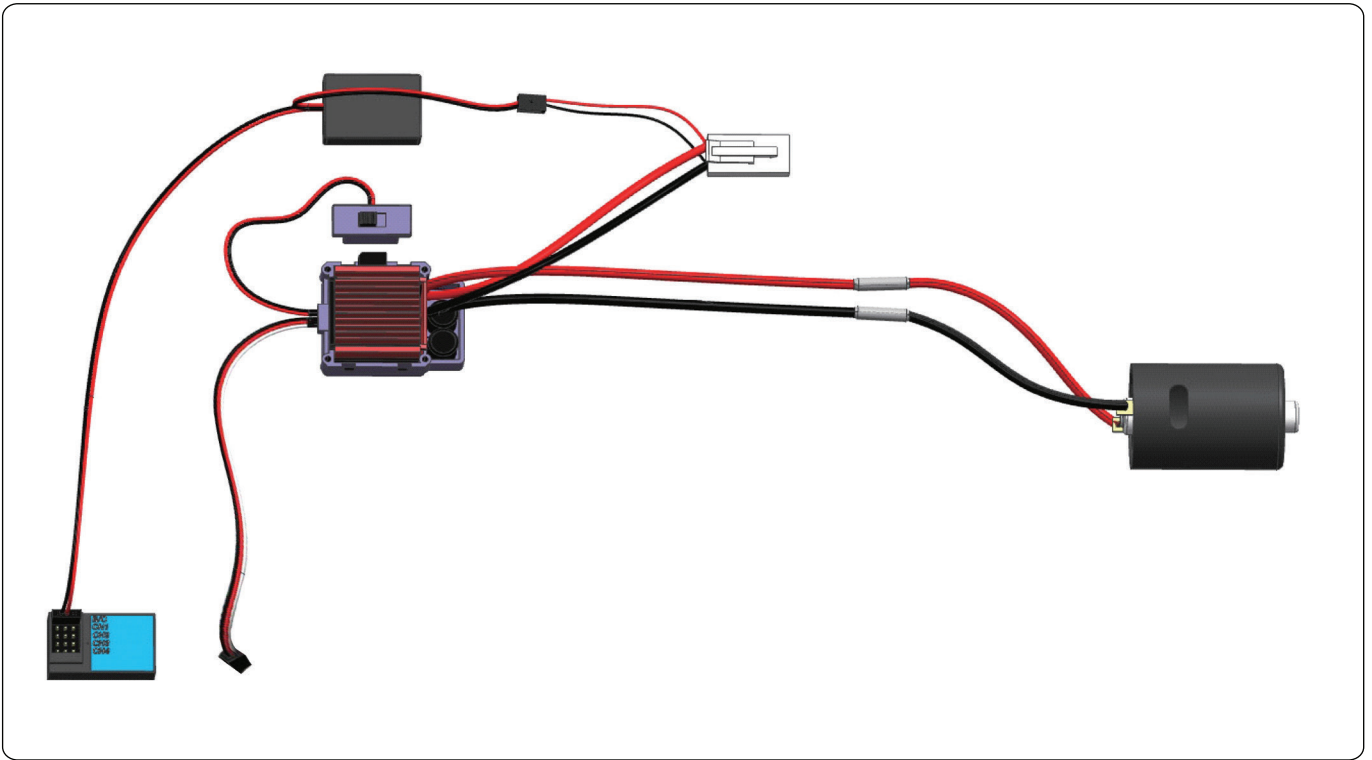


2. ESC connected to the Brushed 45T Crawler Motor (Z-E0004)

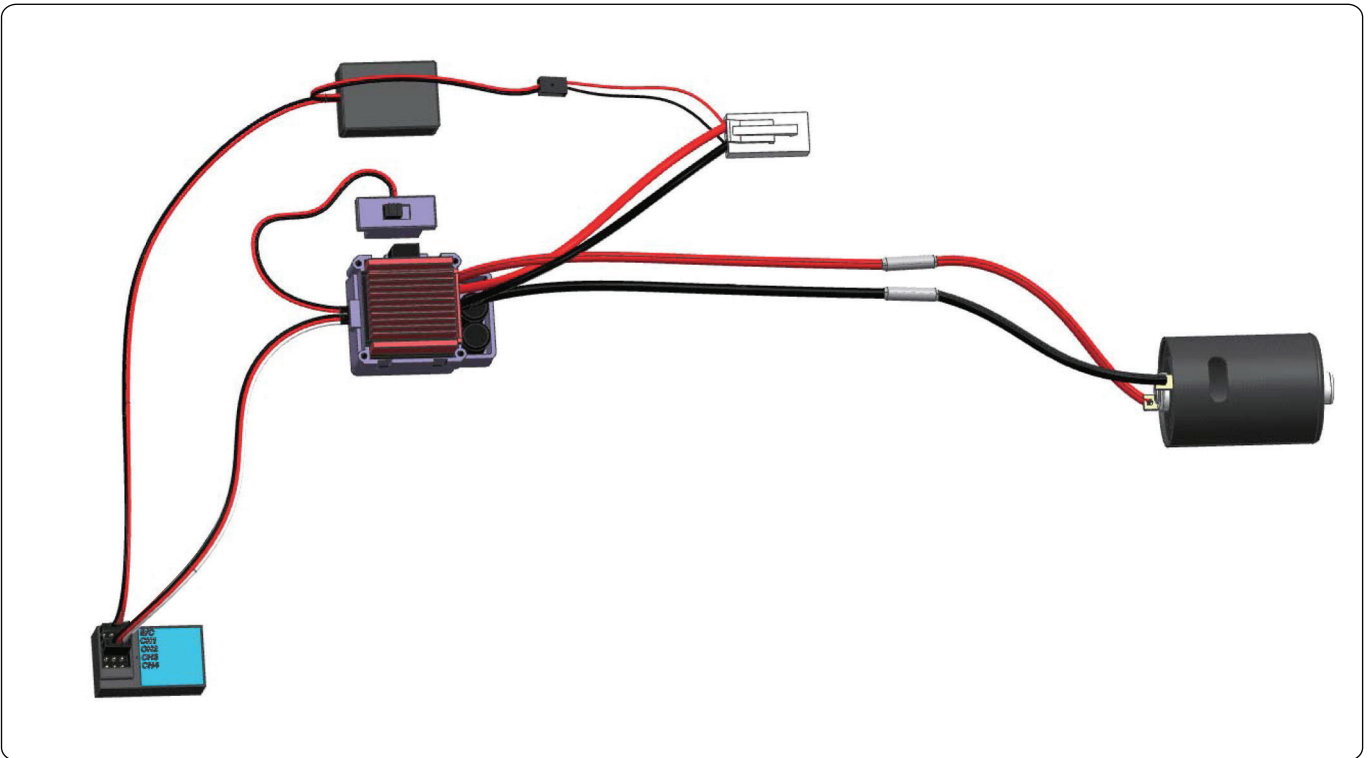




3. This connects the BEC of the ESC to the radio's receiver (Z-R0008). This connects to the B/C port.

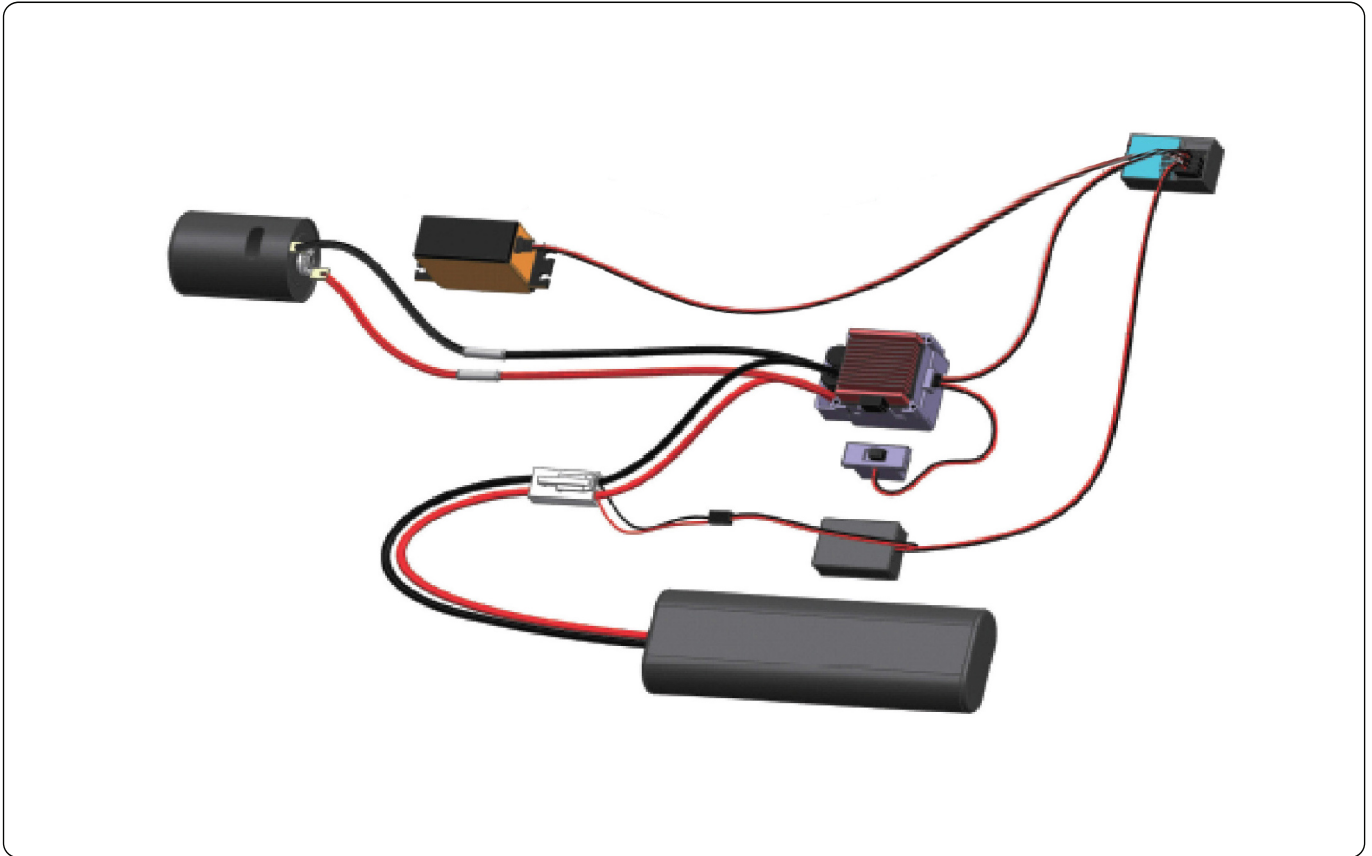


4. Connecting the BEC to the radio's receiver Channel (B/C). Connecting the ESC to the radio's receiver Channel 2 (CH2). Channel 2 is the throttle control of the radio.

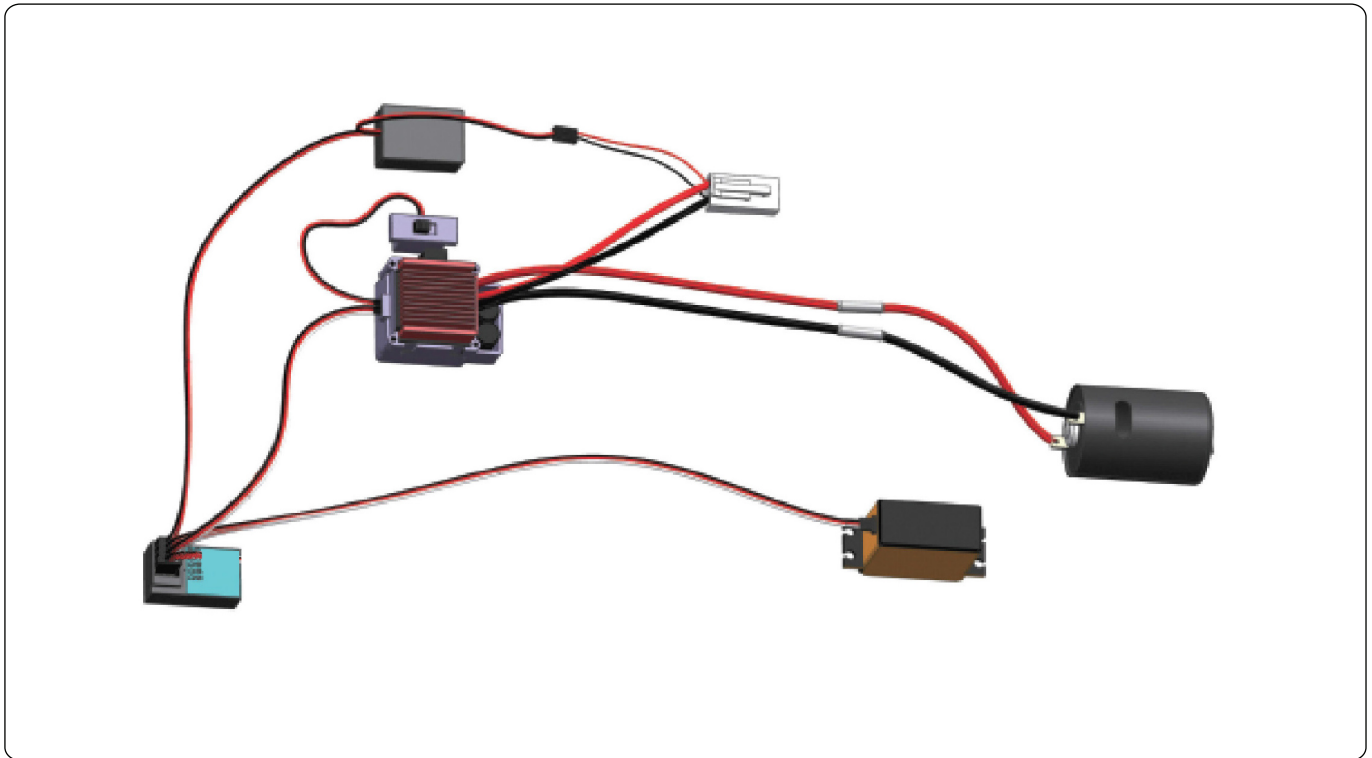




5. Connect the servo (Z-E0035) to the radio's receiver Channel 1 (CH1). This controls the trucks steering from the radio.

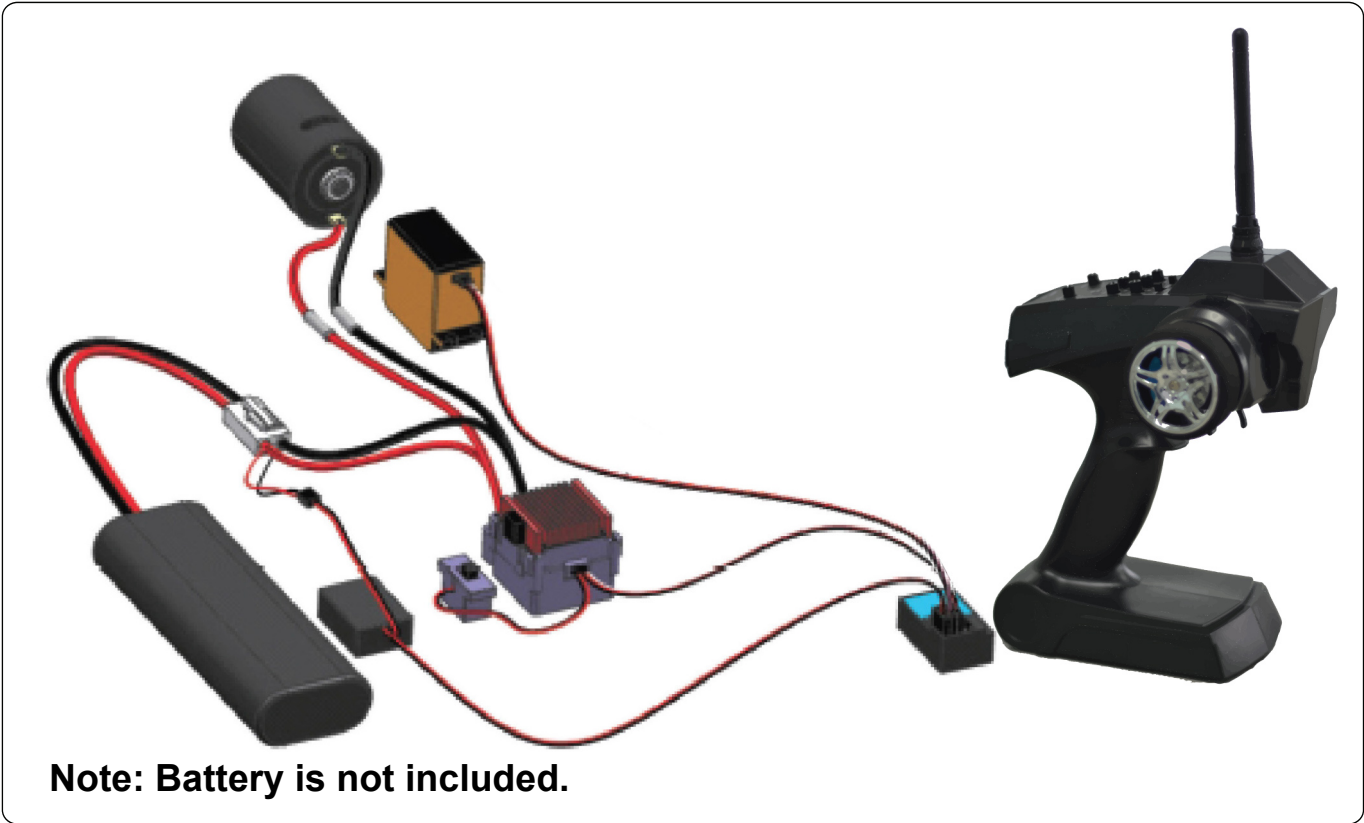


6. Show the battery connected to the ESC. 4-9 NiMH cells (1.2V per cell) or 3S 11.1V LiPo.





7. This final step shows all the items as they are connected on the truck.



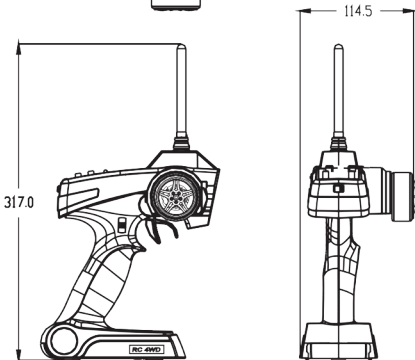
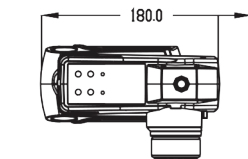
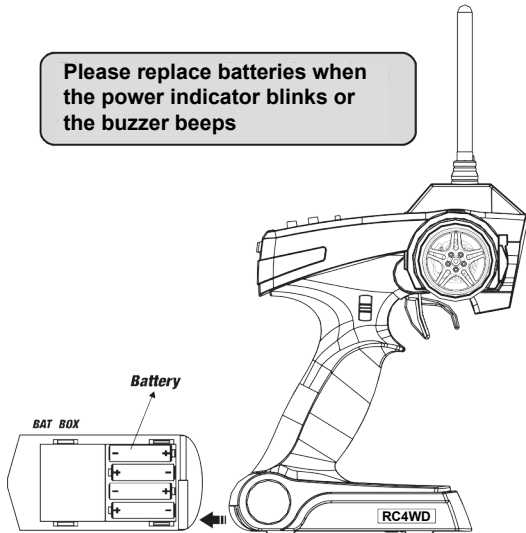


INSTRUCTION MANUAL

Install the batteries

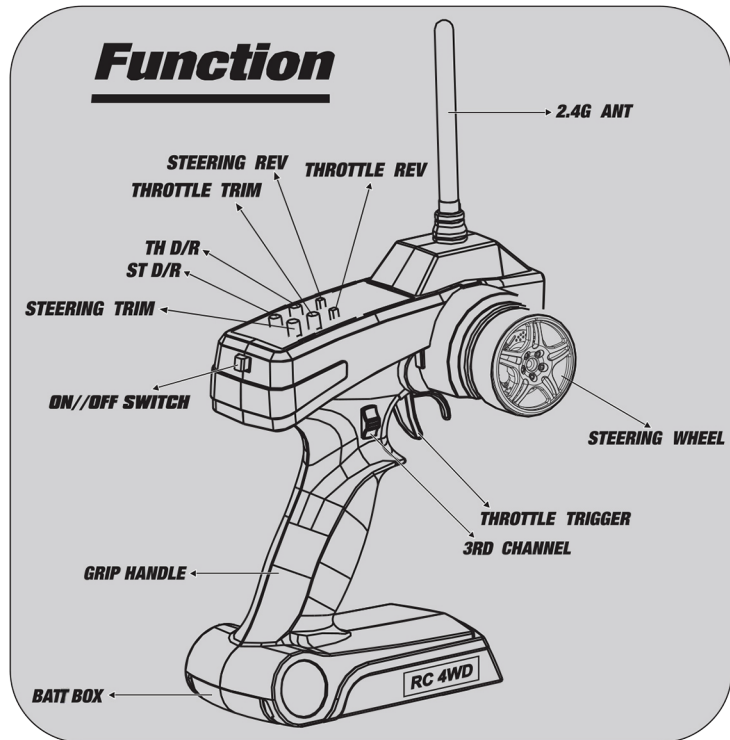
- (1) Remove the battery compartment cover
- (2) Install 4 "AA" batteries and replace compartment cover

Please replace batteries when the power indicator blinks or the buzzer beeps



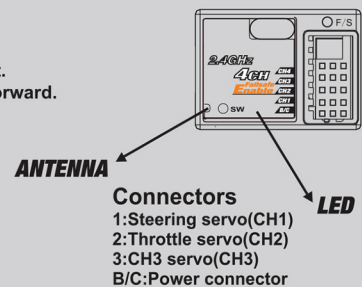
NR3b

3-CHANNEL 2.4GHZ TRANSMITTER/RECEIVER



Transmitter Adjustment

- STEERING REV:** Reverses the function of the steering when the wheel is turned right or left.
- THROTTLE REV:** Reverses the function of the speed control when pulled back or pushed forward.
- TH TRIM:** Adjusts the amount of throttle travel.
- ST DR:** Adjusts the amount of steering travel.
- THROTTLE TRIM:** Adjusts the motor speed to stop at neutral.
- STEERING TRIM:** Adjusts the "hands off" direction of the model.
- ON/OFF SWITCH:** Turns the Power ON/OFF for the transmitter.
- THROTTLE TRIGGER:** Controls speed and direction (forward/brake/reverse) of the model.
- STEERING WHEEL:** Controls direction (left/right) of the model.
- 3RD CHANNEL:** This is a 3 position switch and can be used to control a servo or winch.





Transmitter Adjustment

A. Throttle Trigger

Forward/Speed Up Neutral Brake/Speed Down

1. Push the trigger forward to slow down or brake.
2. Pull the trigger backward to accelerate.

Throttle Trim
Steering Trim

⚠ Keep the transmitter and receiver 40cm apart when operating.

Use the REV switches to reverse the steering or throttle operating direction.

Throttle Trim: Trim the throttle servo slightly when the trigger is at the neutral position.
Steering Trim: If the front wheels do not align straight, use the steering trim to adjust.

B. Steering Wheel

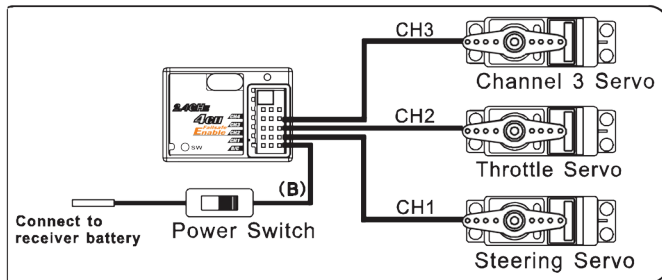
Neutral
Left Right

Fail Safe Function Setting

1. Set the TH, ST switches to the normal position.
2. Turn on the transmitter and receiver.
3. Press the F/S SET button, the LED on the receiver should start flashing rapidly.
4. Put the throttle trigger at the brake position, press the F/S SET button, the LED should become solid.
5. For electric model, put the throttle trigger at the stop position when you are making the setting.

Receiver and Servo Connection

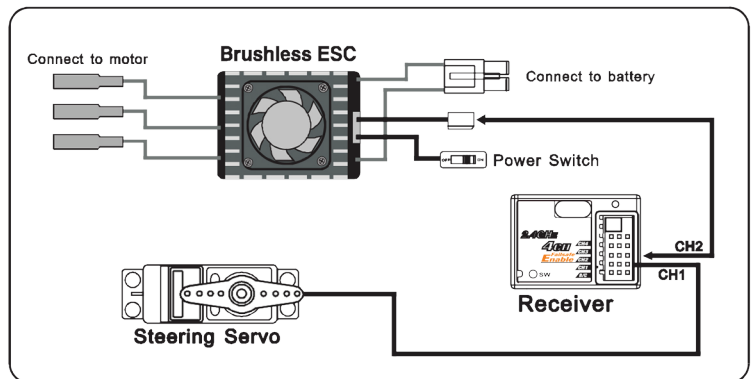
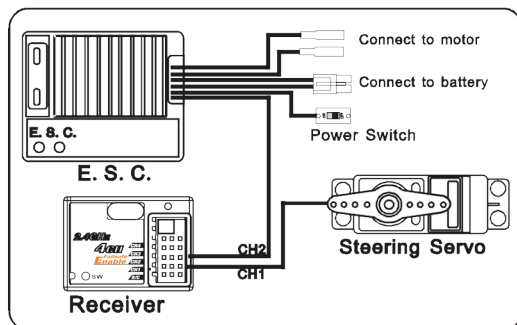
Gas Powered Model







Binding the Transmitter and Receiver





1. Turn on the receiver power. Press the SW switch. The receiver's LED should start flashing.
2. Turn on the transmitter
3. When the LED on the receiver becomes solid, the binding process is complete.


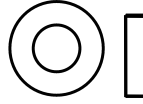


Electrical Powered Model

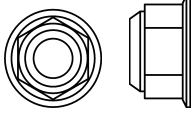
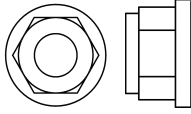
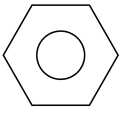












Countersunk Flat Head Screws			
Z-S0648		M3x6	2X
Z-S0649		M3x8	7X
Z-S0860		M3x10	4X
Z-S0746		M3x14	6X








Set Screws			
Z-S0125		M3x5	2X
Z-S0308		M3x10	6X
Z-S0650		M3x15	14X
Z-S0804		M3 Drive Shaft Screw Pin 4X	

Spacers			
Z-S0809		1mm	2X
Z-S0600		2mm	2X
Z-S0806		3mm	4X
Z-S0821		5mm	1X

Nuts			
Z-S0629		M3	5X
Z-S1265		M4	4X
Z-S0303		M2.5	20X

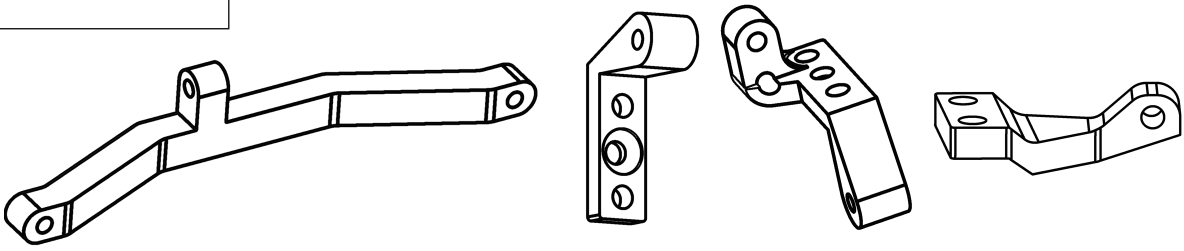


Button Head Screws			
Z-S0764		M2.5x6	7X
Z-S0651		M3x6	13X
Z-S0652		M3x8	19X
Z-S0653		M3x10	41X
Z-S0654		M3x12	17X
Z-S0655		M3x14	10X
Z-S0656		M3x16	5X
Z-S0895		M3x20	2X

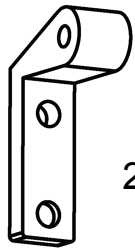
Cap Head Screws			
Z-S1253		M1.6x5	18X
Z-S1255		M1.6x8	4X
Z-S0593		M2x12	6X
Z-S0855		M2.5x6	4X
Z-S0829		M2.5x8	20X
Z-S1380		M2.5x12	2X
Z-S0739		M3x25	1X



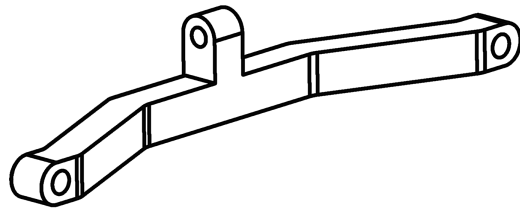
Axles



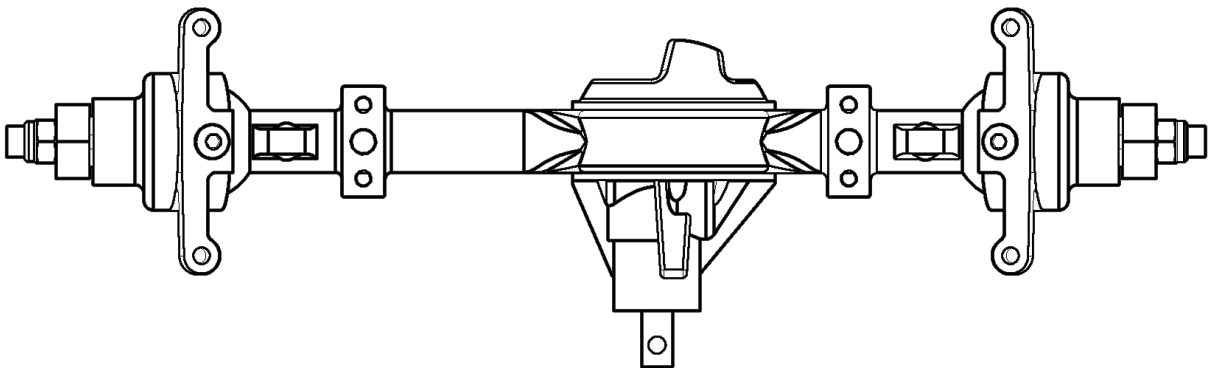
Z-S0794



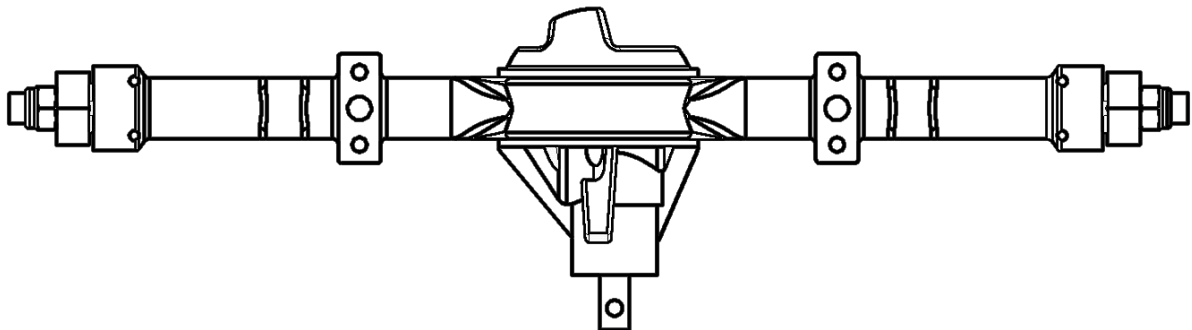
2X



Z-S0795



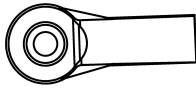
Z-A0080



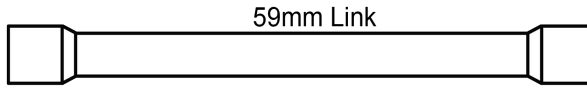
Z-A0081



Connecting Rods

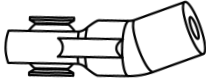


Z-S0399 10X

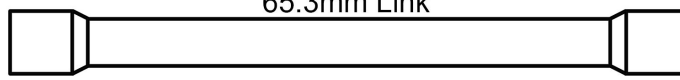


59mm Link

Z-S0807

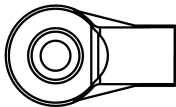


Z-S0402 4X

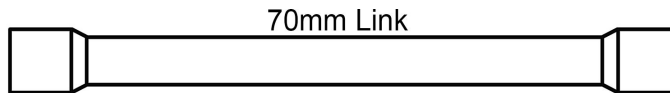


65.3mm Link

Z-S0817 2X

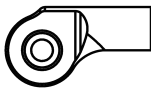


Z-S0398 4X

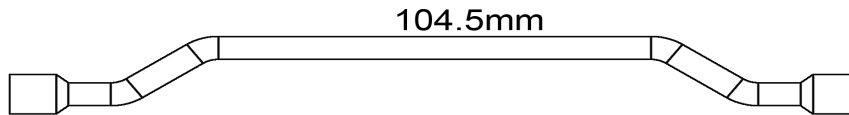


70mm Link

Z-S0819 2X

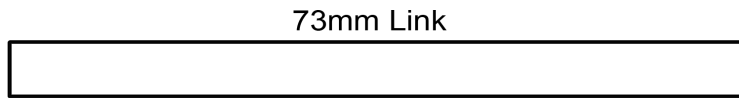


Z-S0401 2X



104.5mm

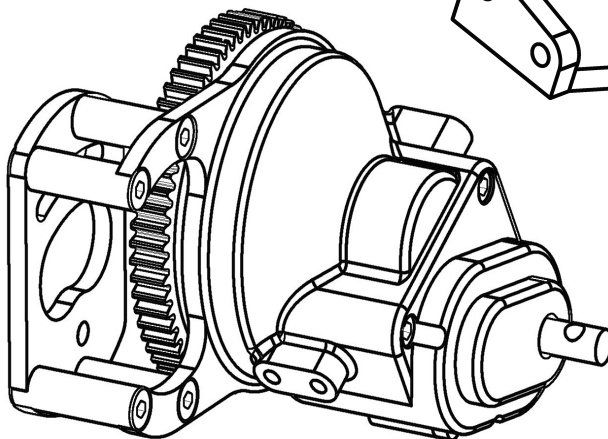
Z-S0810



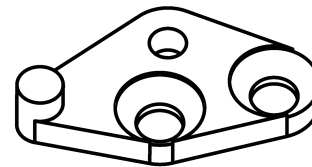
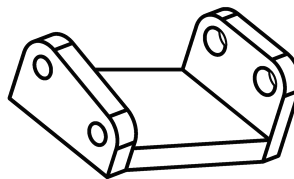
73mm Link

Z-S0805 4X

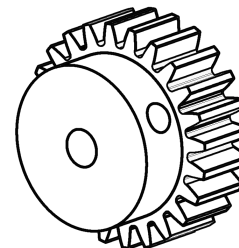
Transmission



Z-U0028



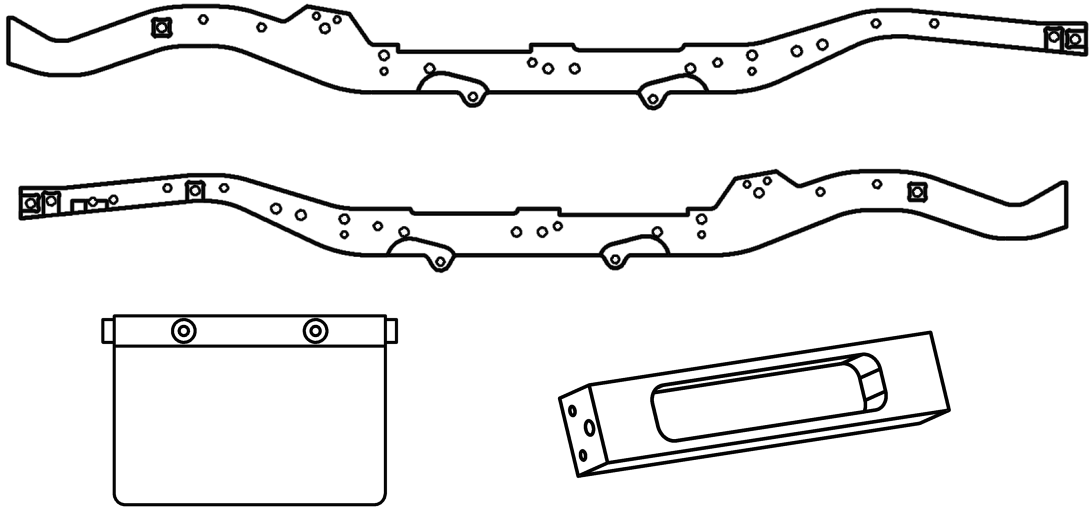
Z-S0802



Z-S0430

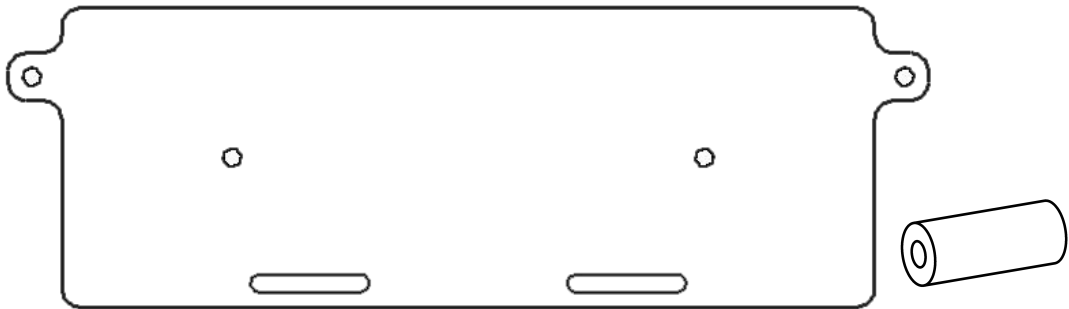


Chassis



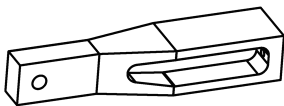
Z-C0040

Accessories

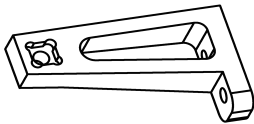


2X

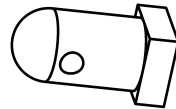
Z-S0792



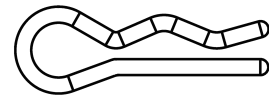
2X



2X



2X

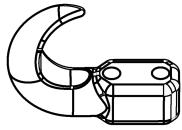


Z-B0016 4X

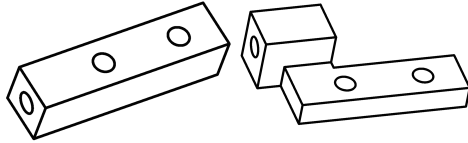
Z-S1379



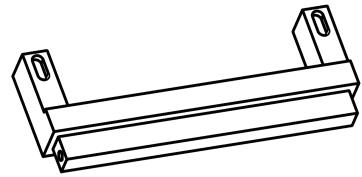
Accessories



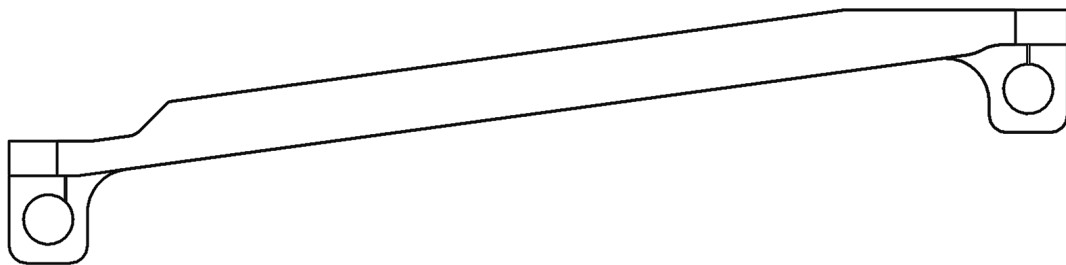
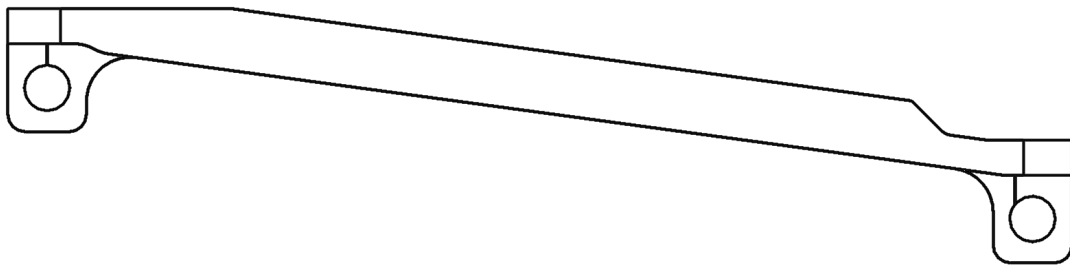
Z-S0042 2X



Z-S0791



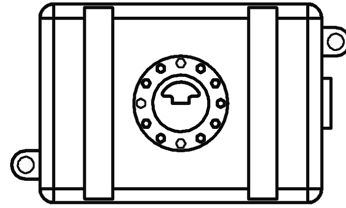
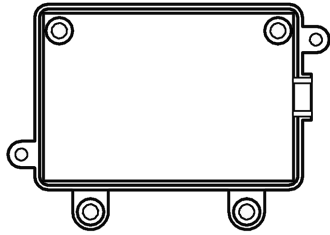
Z-S1381



Z-S1383

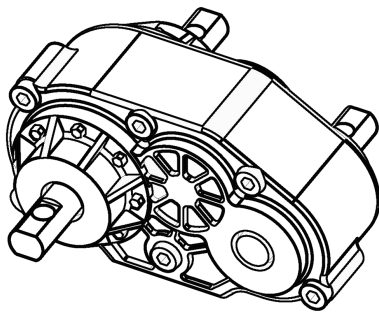


Accessories

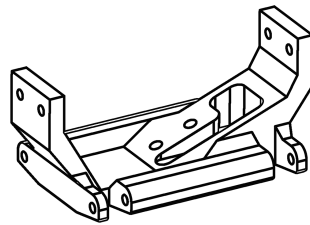


Z-S0592

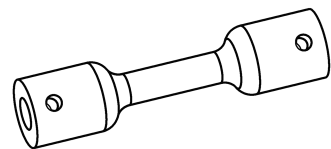
Transfer Case



Z-U0024

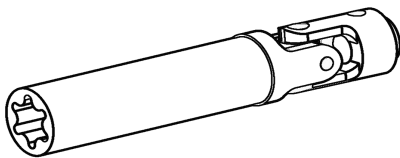


Z-U0027



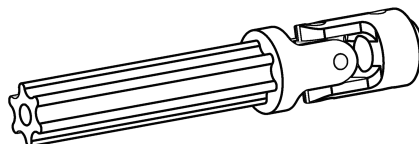
Z-S0803

Drive Shafts

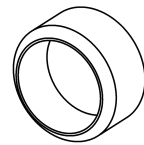


2X

Z-S0583

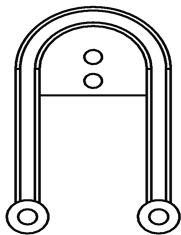


2X

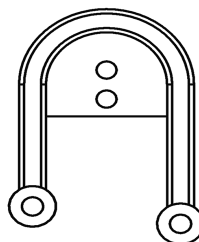


Z-S0443 4X

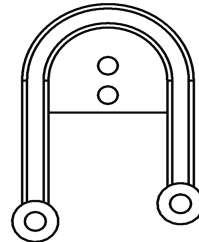
Shock hoops



Z-S0798 2X

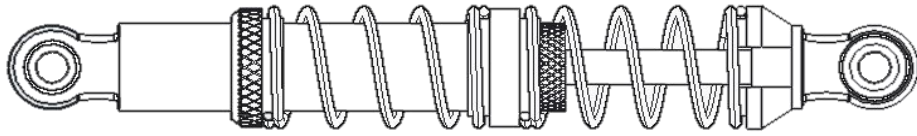


Z-S0799



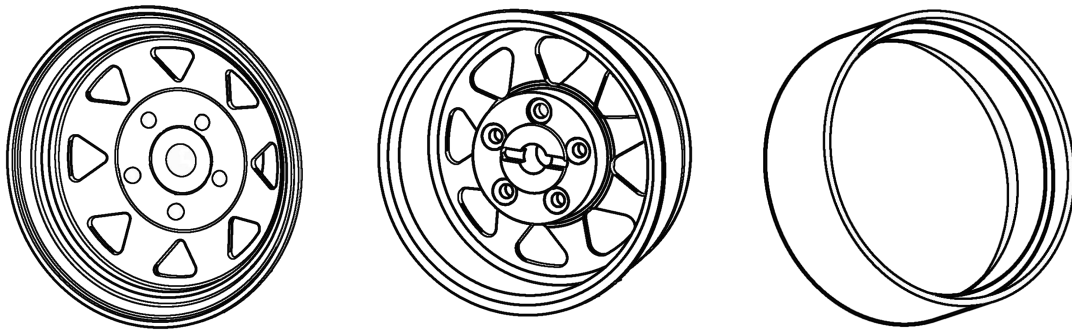


Shocks



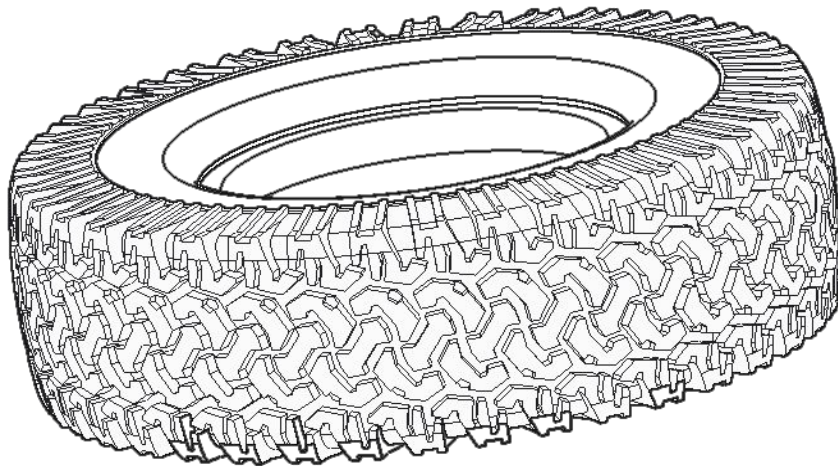
Z-D0039 4X

Wheels



Z-W0129

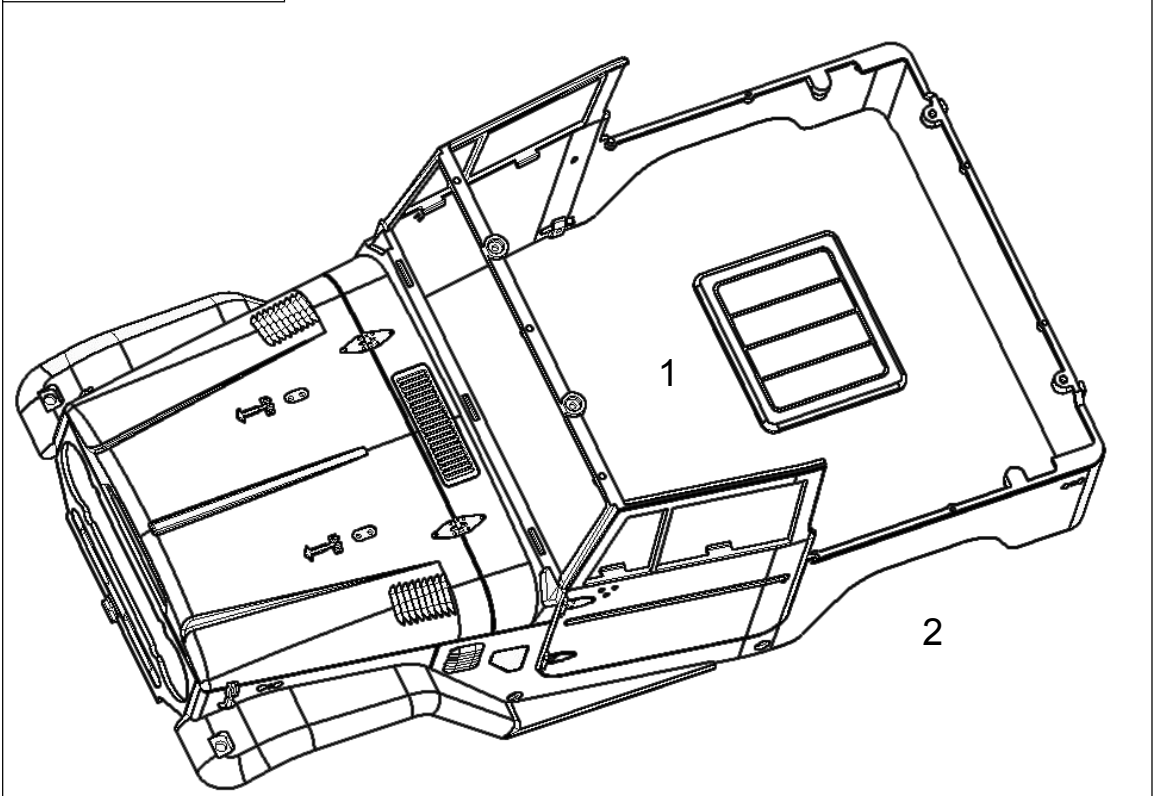
Tires



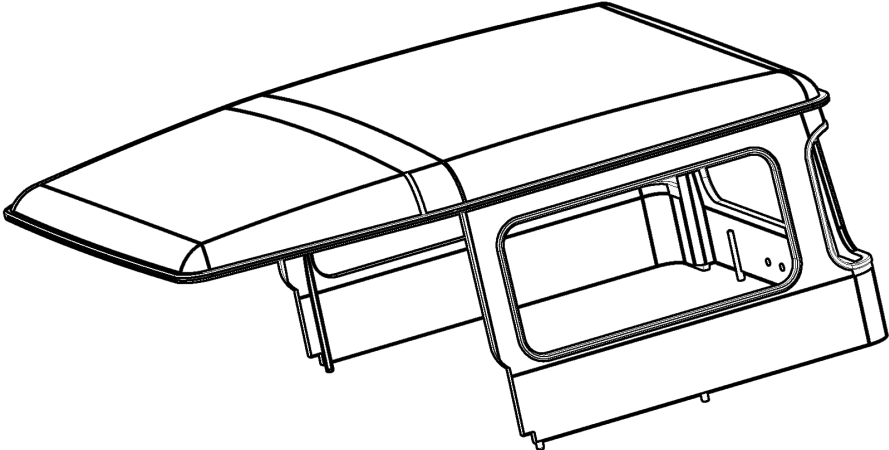
Z-T0005 4X



Body



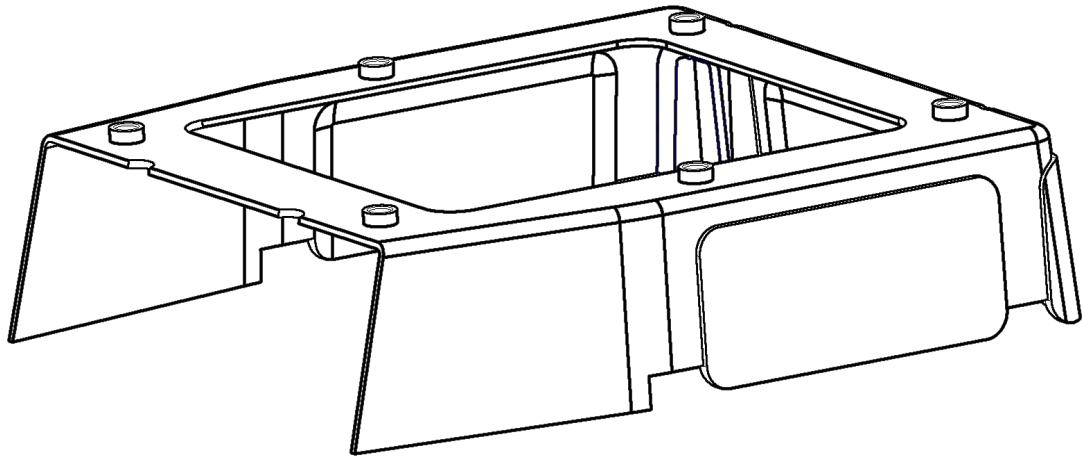
Z-B0061



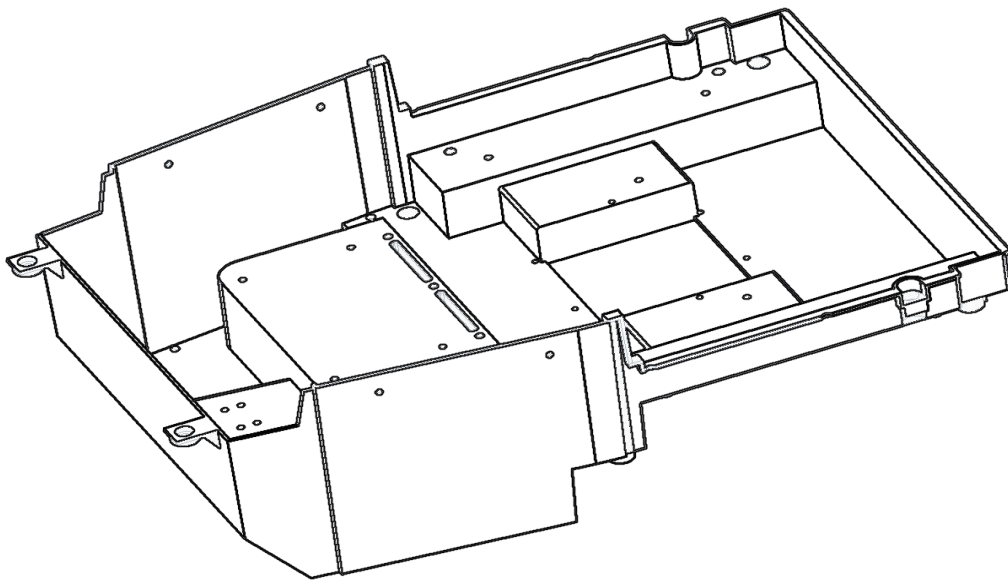
Z-B0065



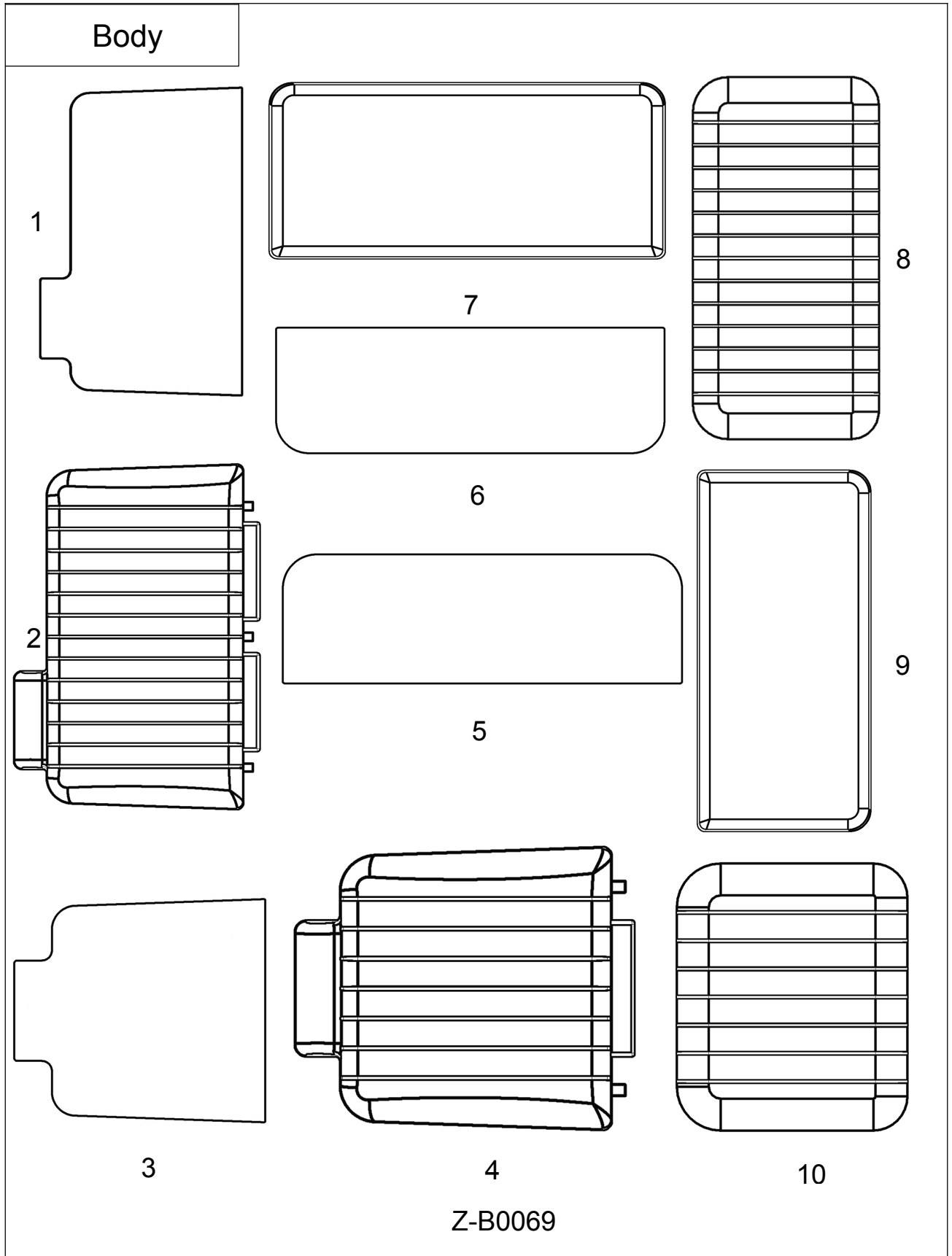
Body



Z-B0079



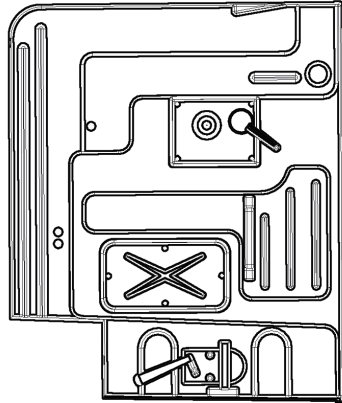
Z-B0063



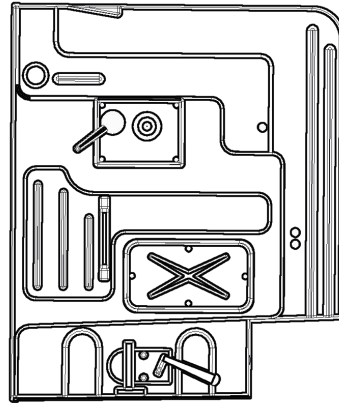


Body

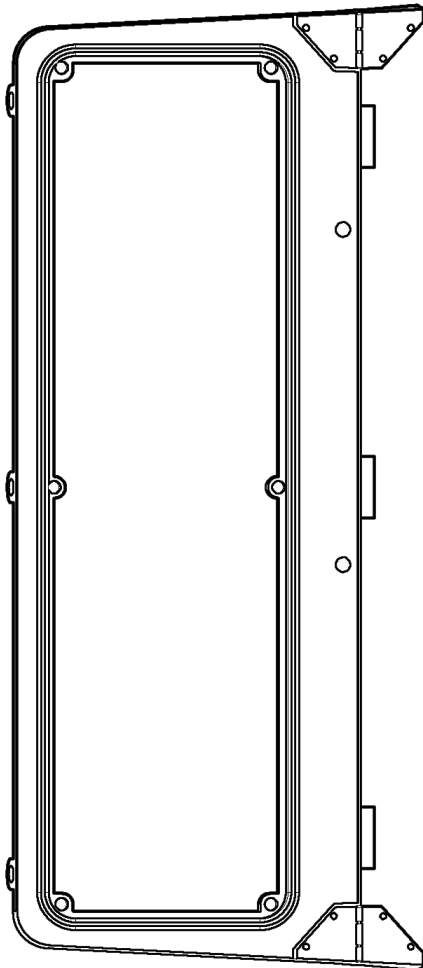
1



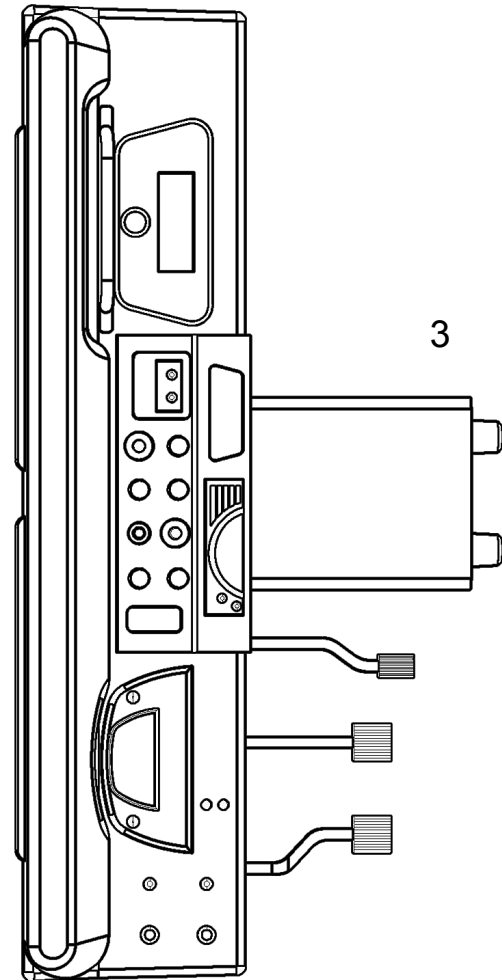
4



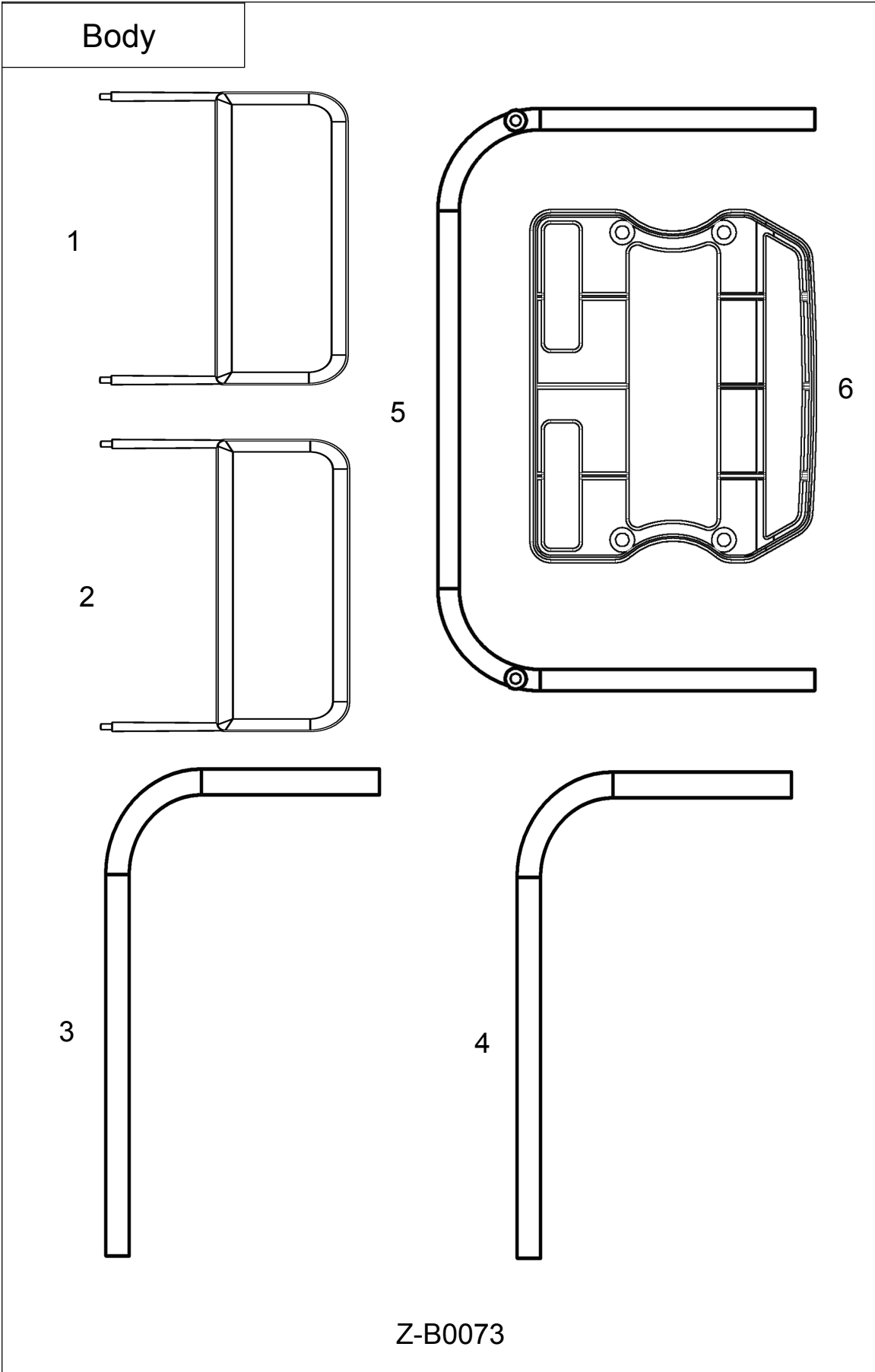
2



3

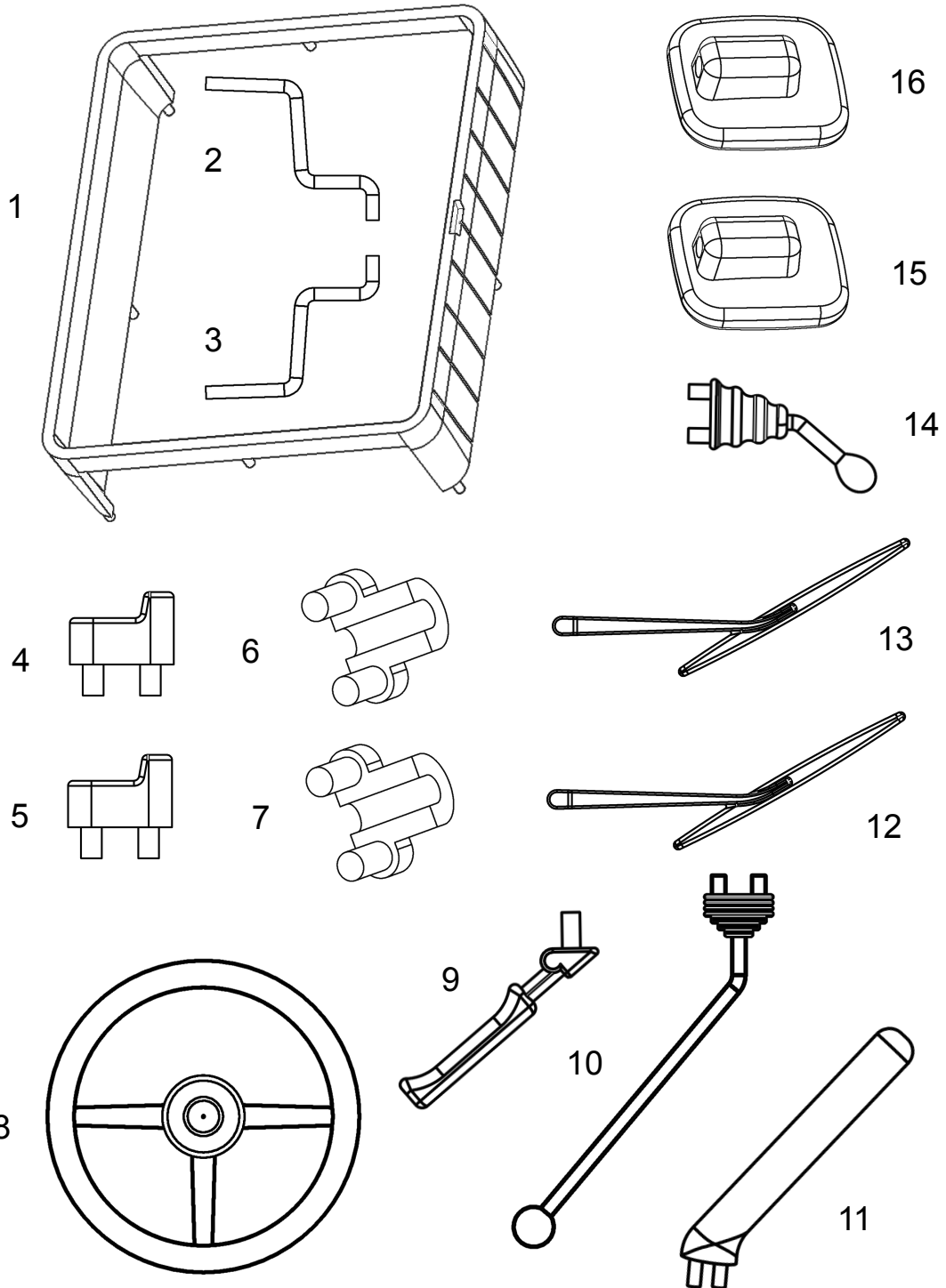


Z-B0067





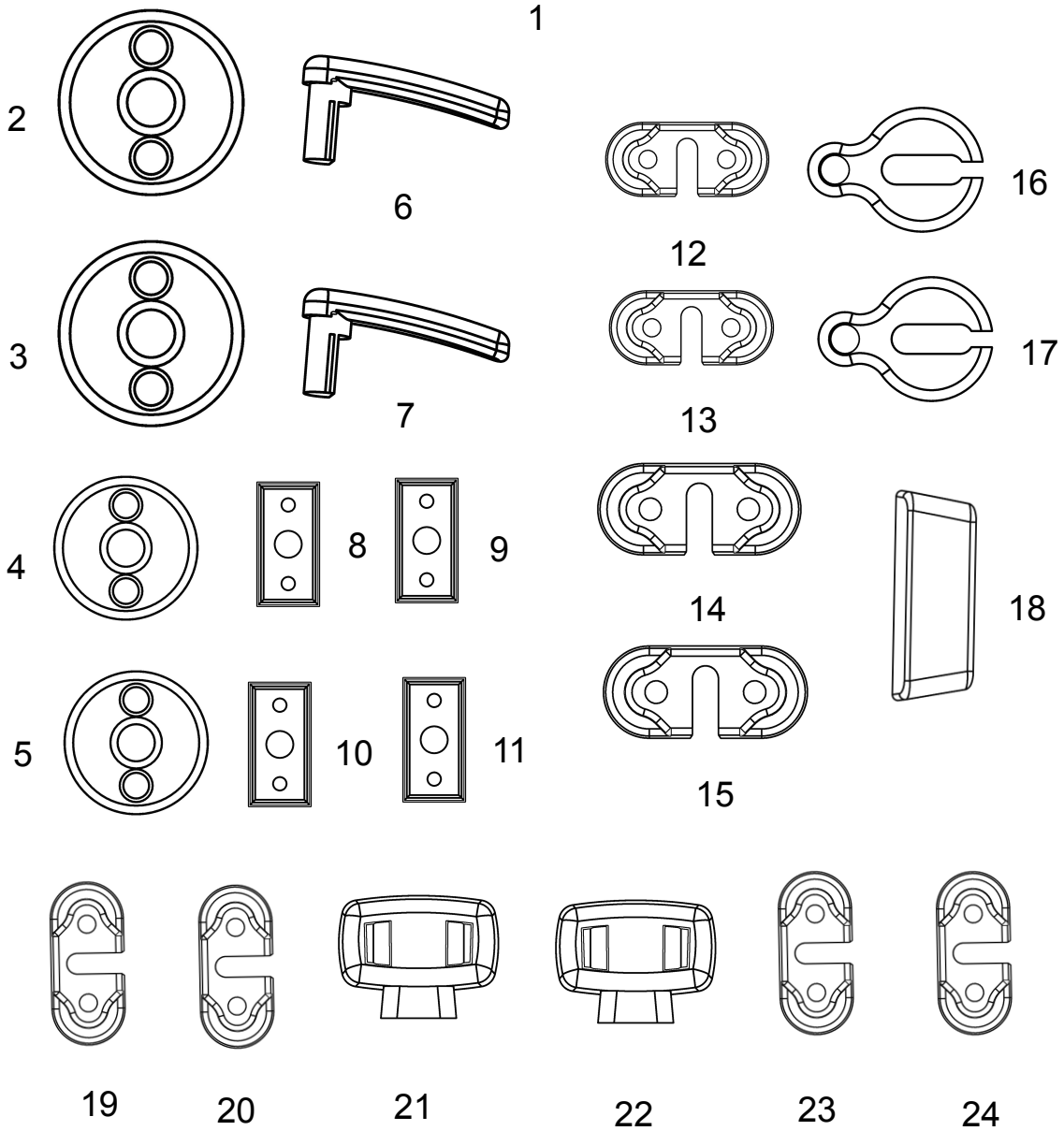
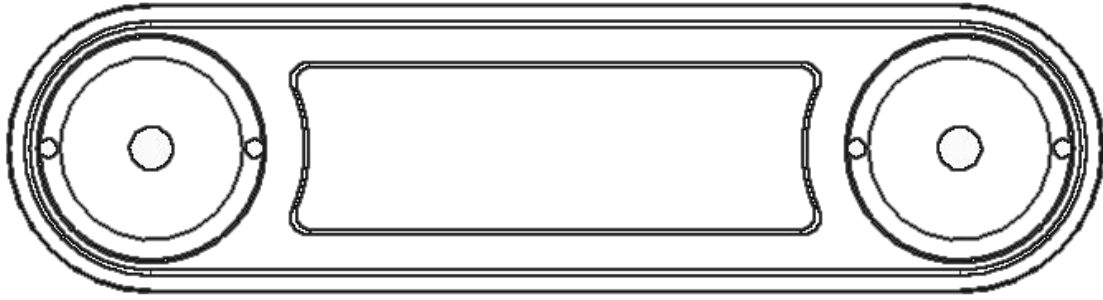
Body



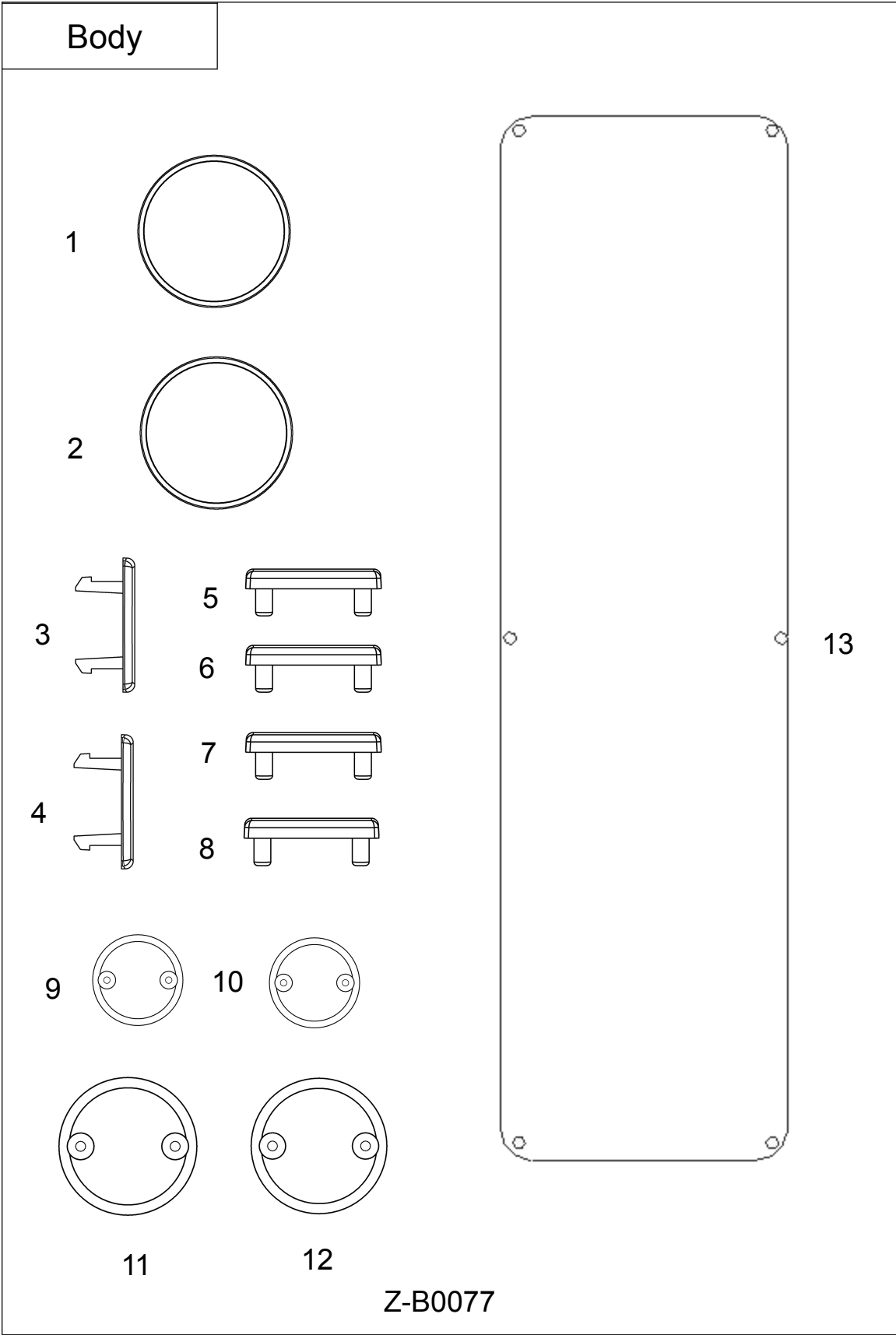
Z-B0071



Body

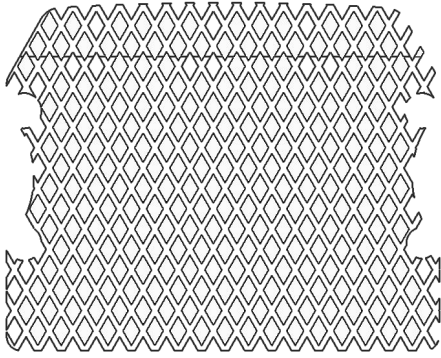


Z-B0075

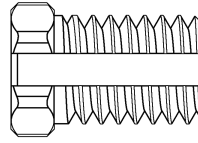




Body



Z-B0081



Z-B0083

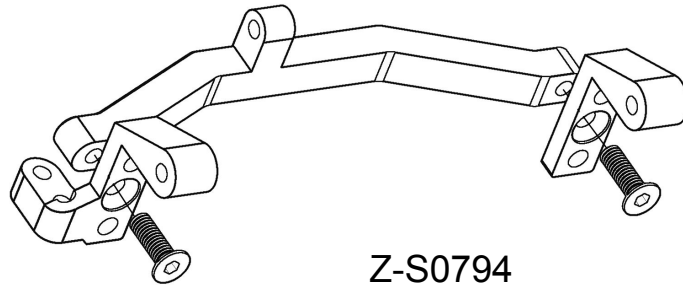


Assembly 1

Thread Lock

Z-S0648 

M3x8



Z-S0794

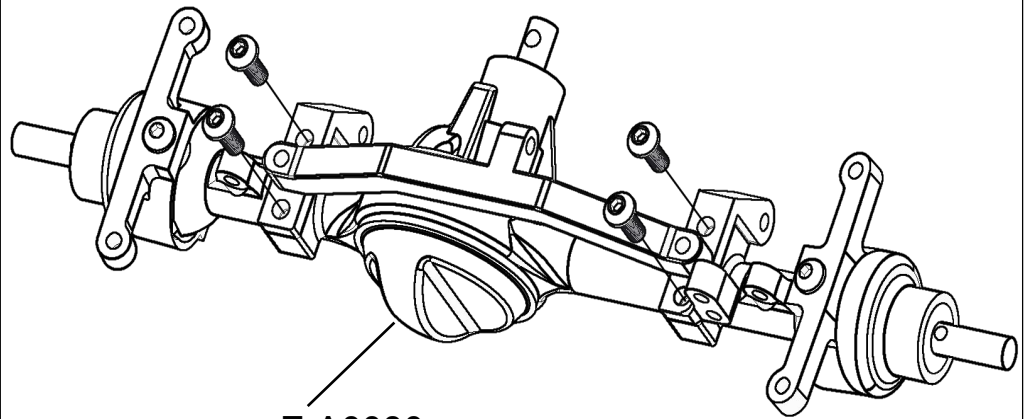


Assembly 2

Thread Lock

Z-S0652 

M3x8




Z-A0080

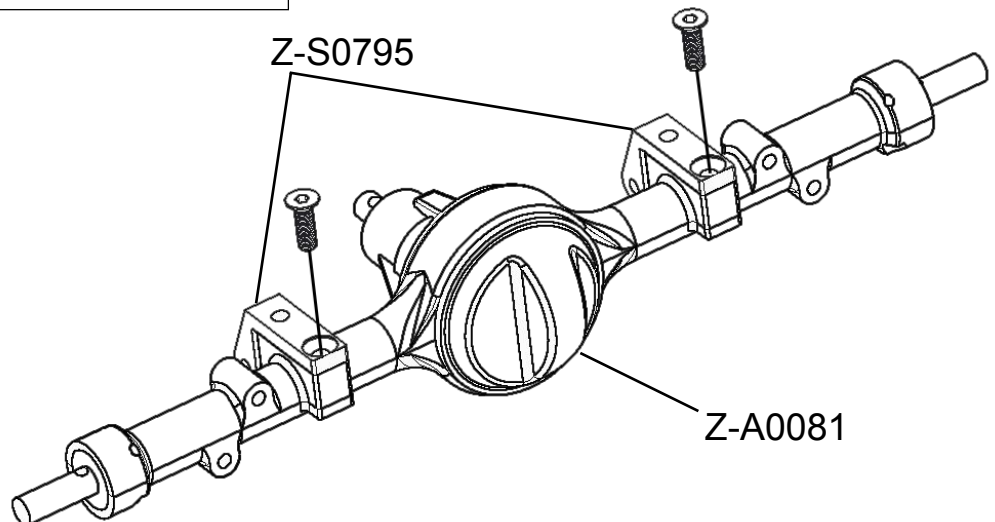


Assembly 3

Thread Lock

Z-S0860 

M3x10




Z-S0795

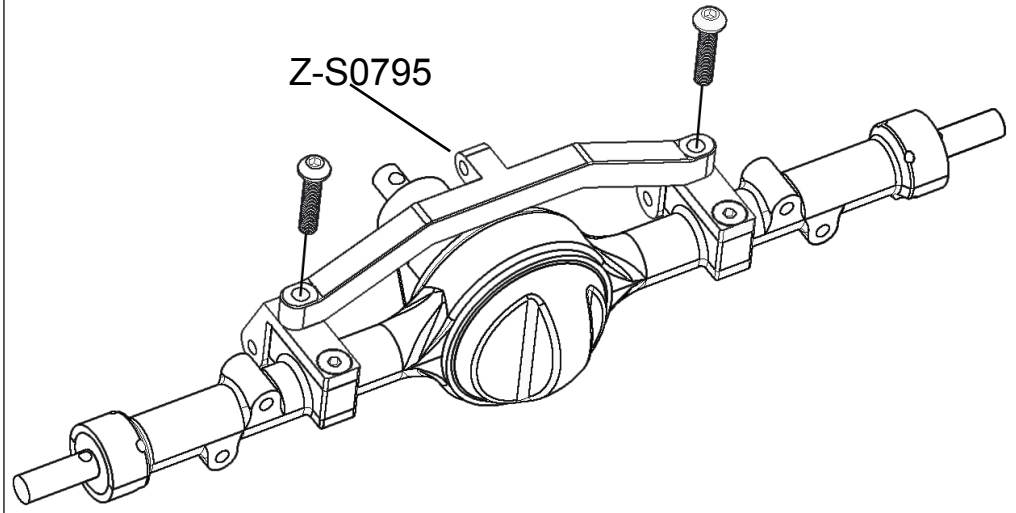
Z-A0081



Assembly 4

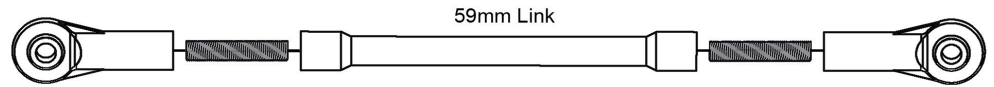
Thread Lock

Z-S0655 
M3x14



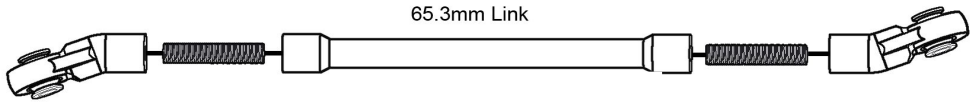
Z-S0650 
M3x15

Assembly 5



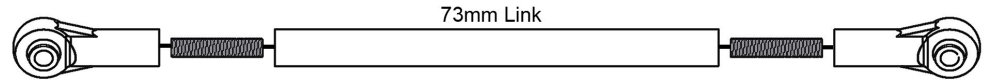
Z-S0399

Z-S0807 1X




Z-S0402

Z-S0817 2X

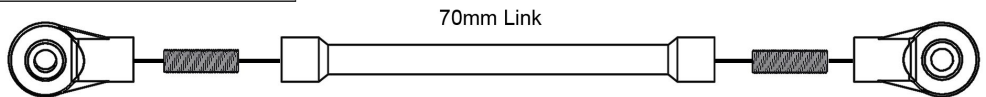


Z-S0399

Z-S0805 4X

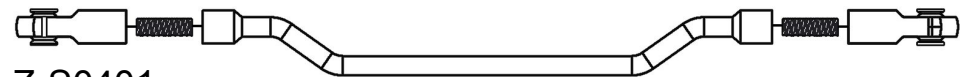
Z-S0308 
M3x10

Assembly 6



Z-S0398

Z-S0819 2X



Z-S0401

Z-S0810 1X

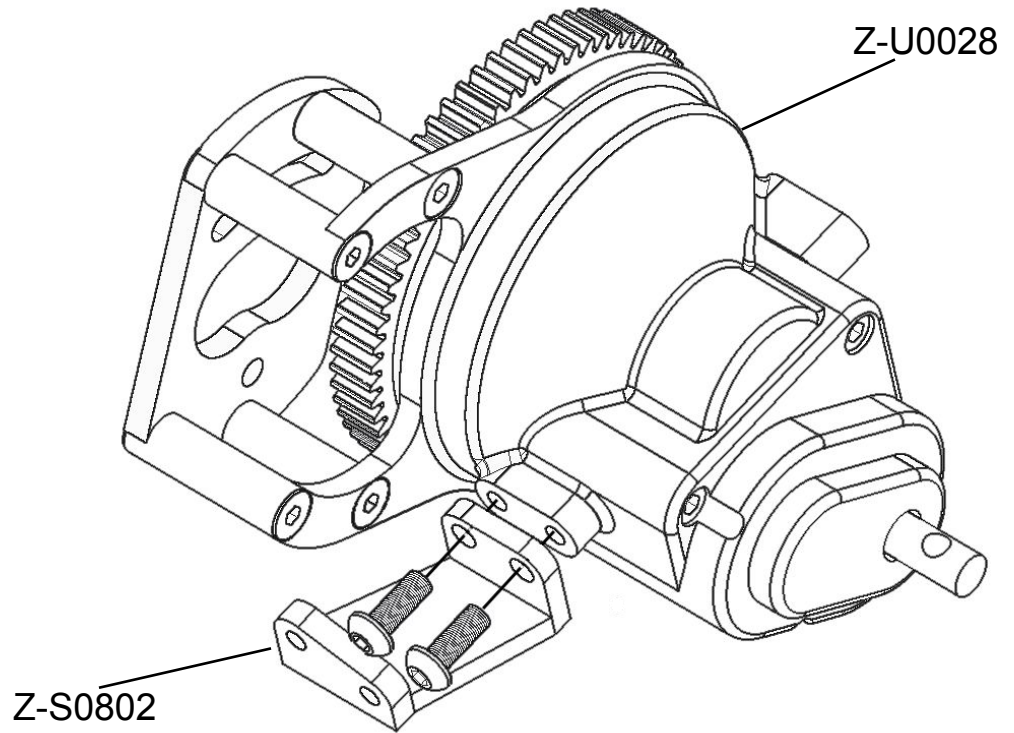


Thread Lock

Z-S0652

M3x8

Assembly 7

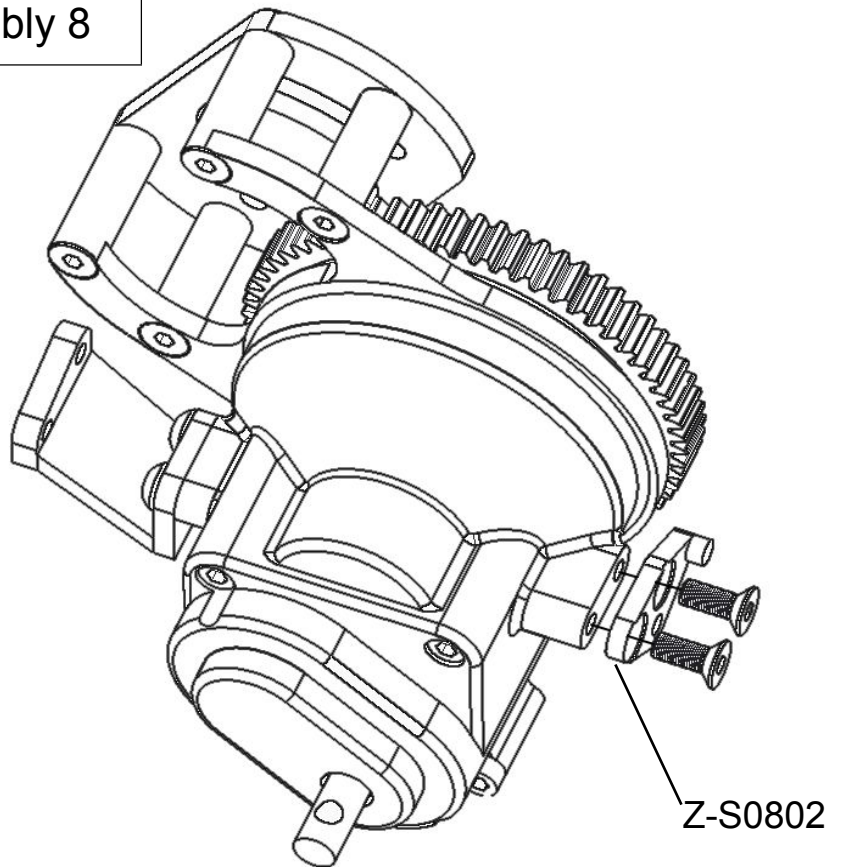


Thread Lock

Z-S0649


M3x8

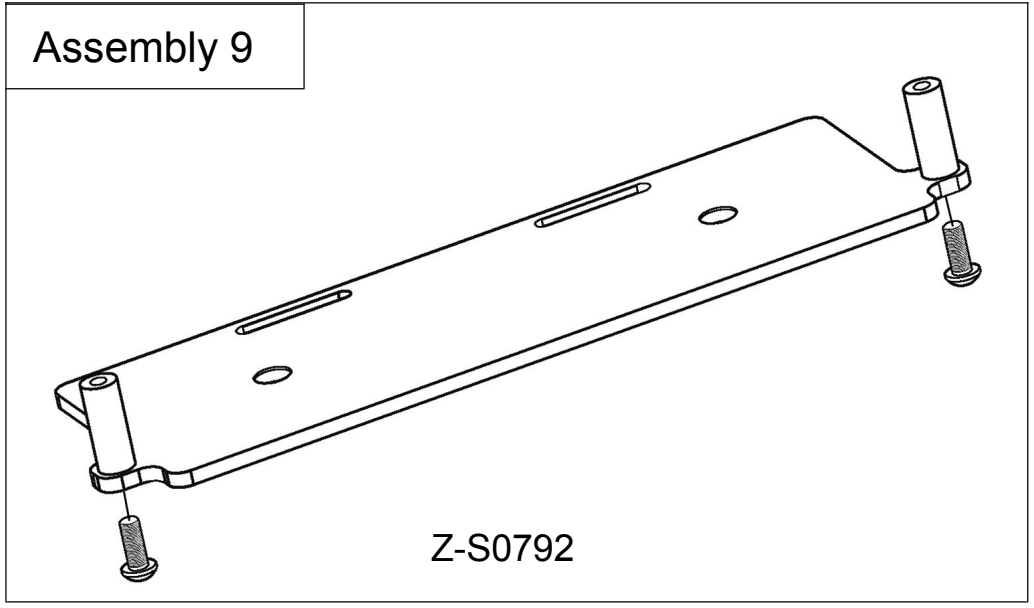
Assembly 8






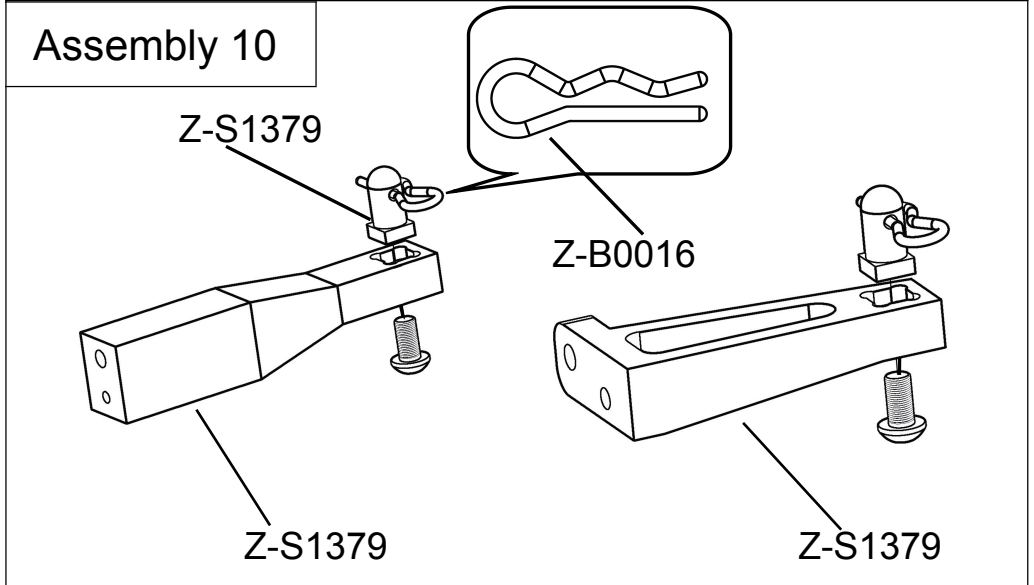
Thread Lock

Z-S0652 
M3x8





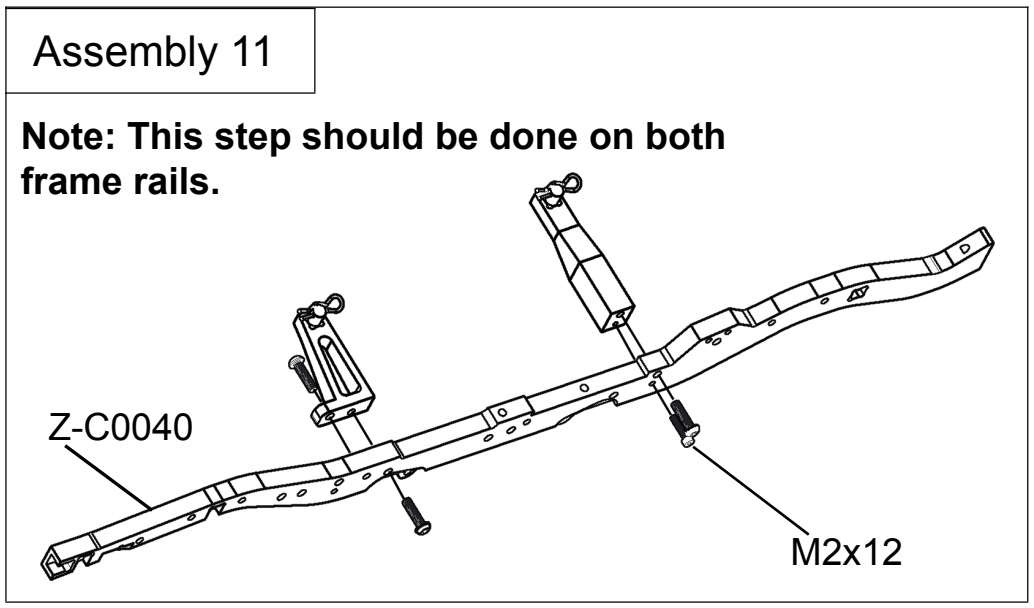
Thread Lock

Z-S0652 
M3x8



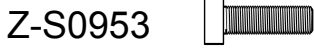
Thread Lock

Z-S0953 
M2x12
Z-S0654 
M3x12

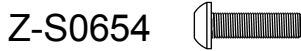




Thread Lock



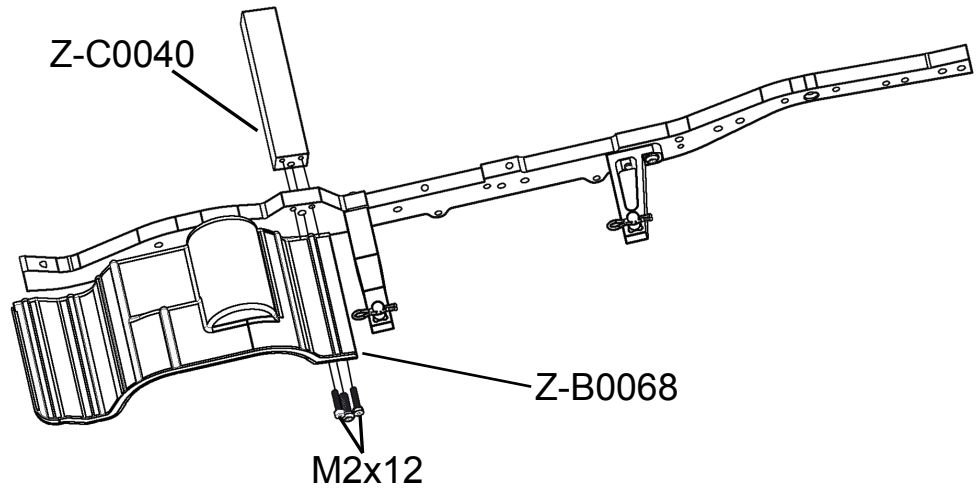
M2x12



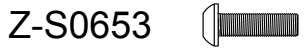
M3x12

Assembly 12

Note: Inner fenders are not included, shown for example.



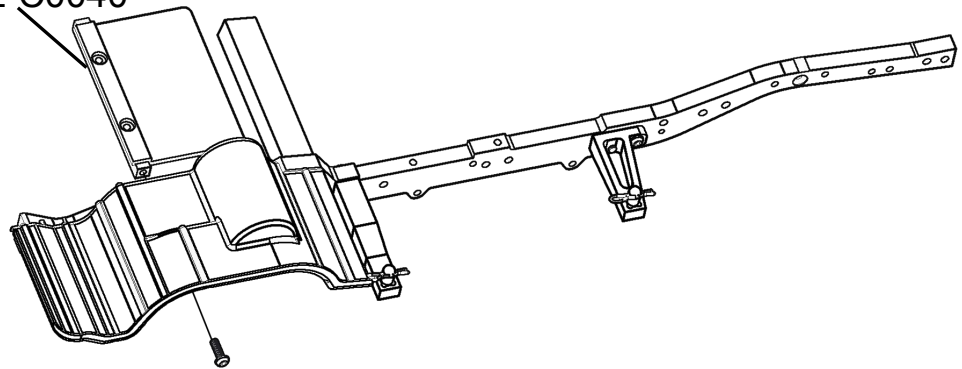
Thread Lock



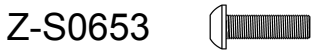
M3x10

Assembly 13

Z-C0040

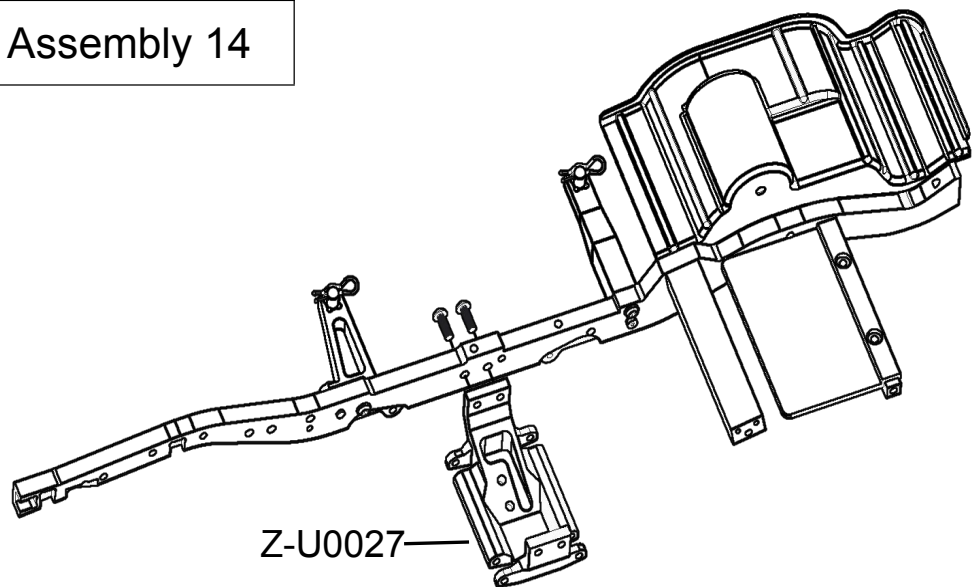


Thread Lock




M3x10

Assembly 14

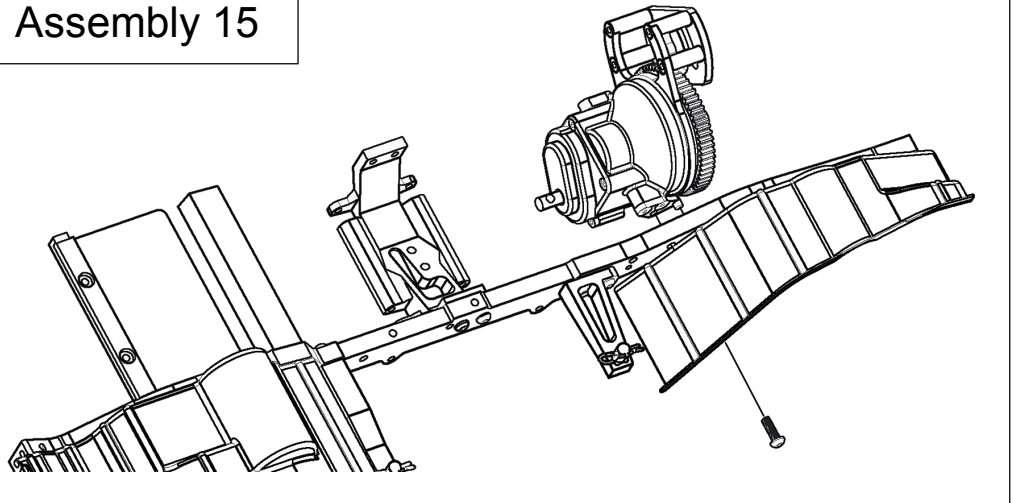





Thread Lock


Z-S0653 
M3x10


Assembly 15



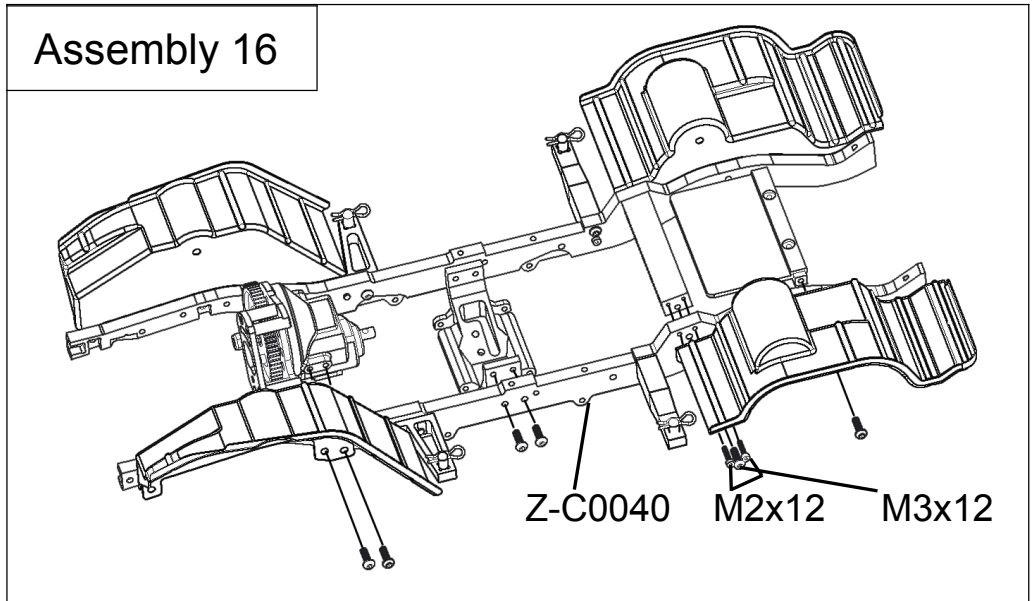
Thread Lock

Z-S0653 
M3x10


Z-S0654 
M3x12

Z-S0953 
M2x12

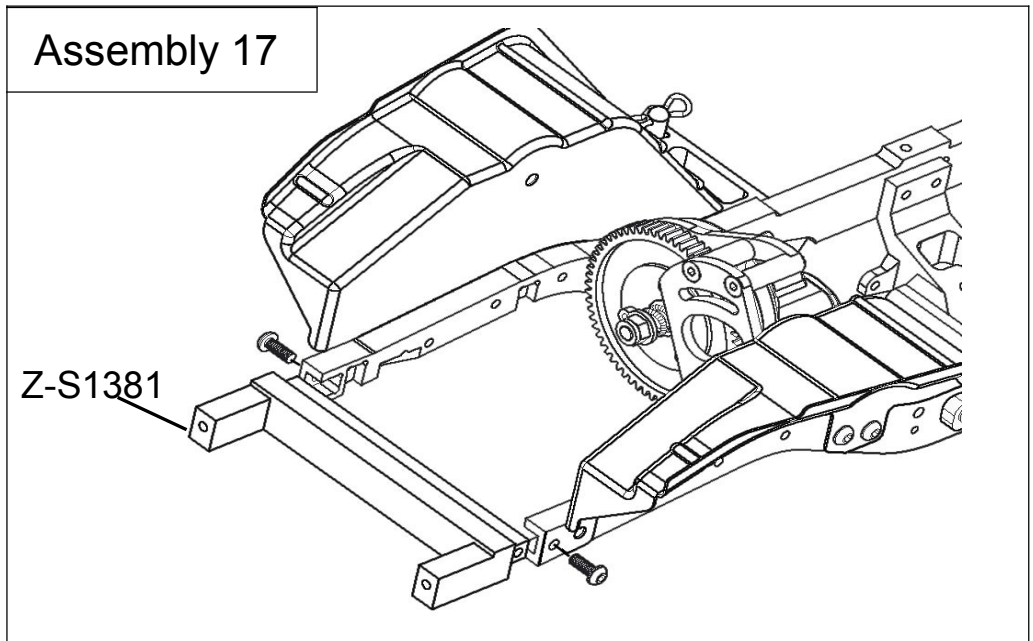
Assembly 16



Thread Lock

Z-S0652 
M3x8

Assembly 17





Thread Lock

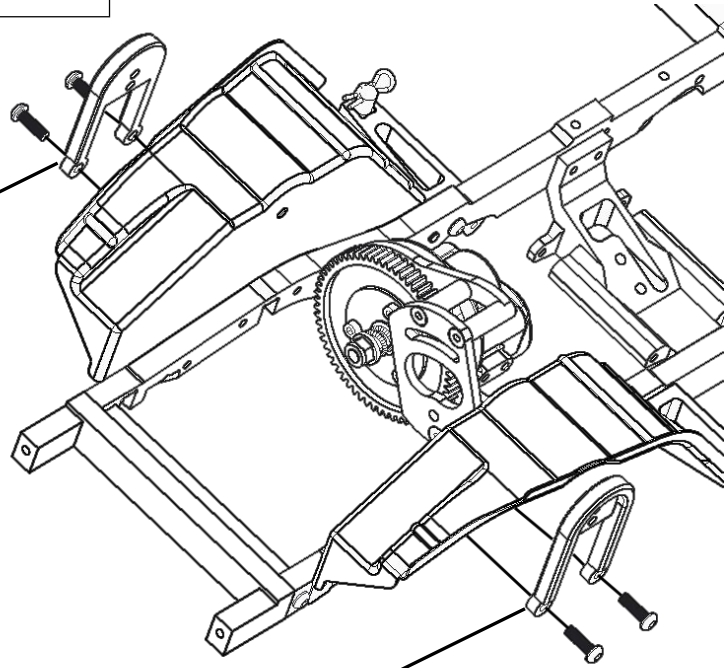
Z-S0653



M3x10

Assembly 18

Z-S0798



Z-S0798



Thread Lock

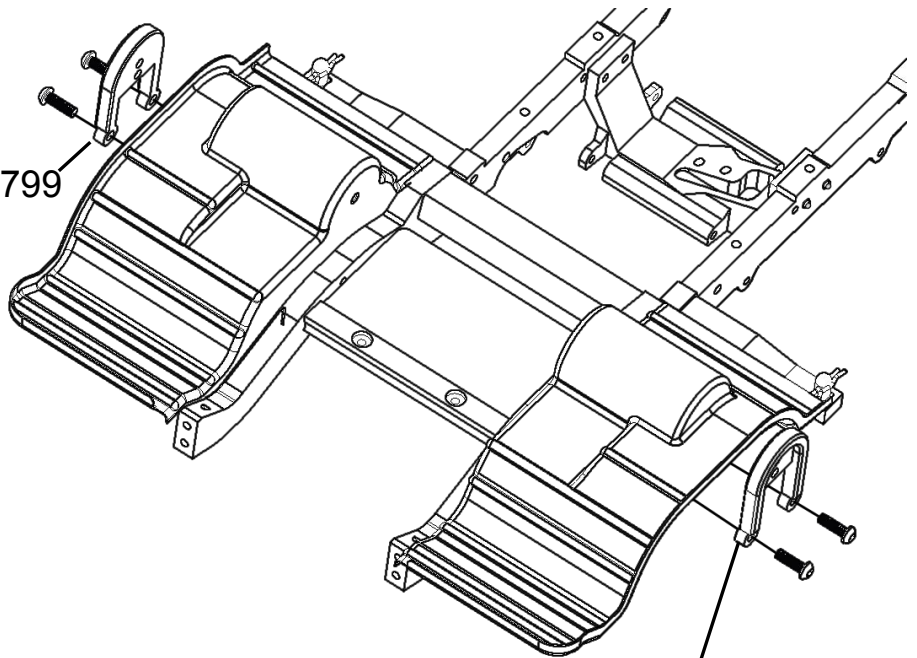
Z-S0653



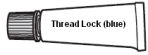
M3x10

Assembly 19


Z-S0799

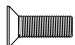


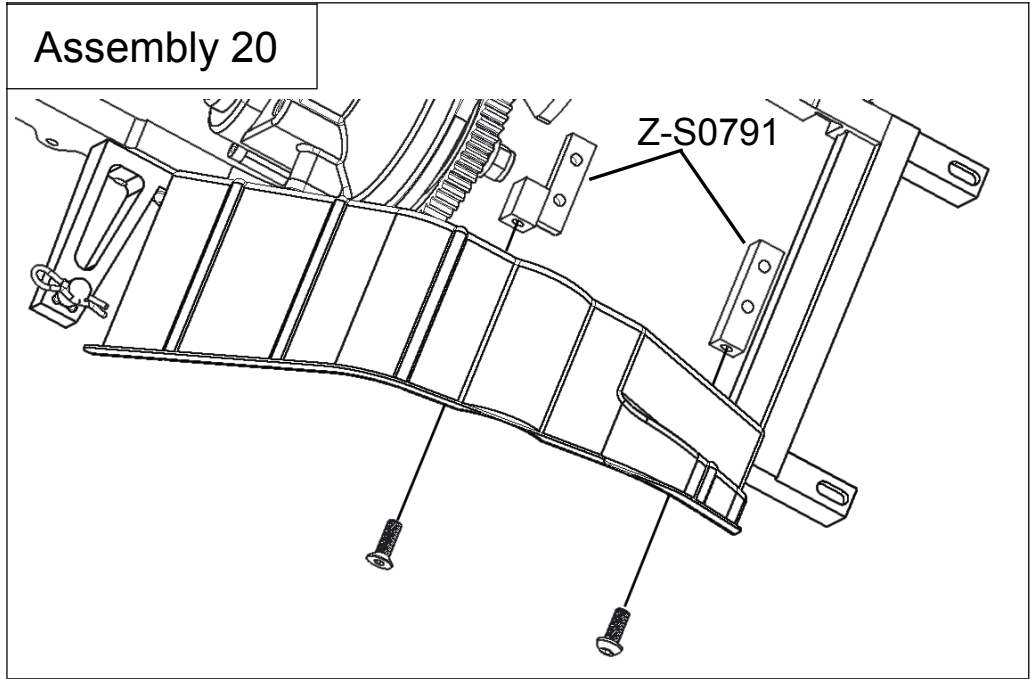
Z-S0799




Thread Lock

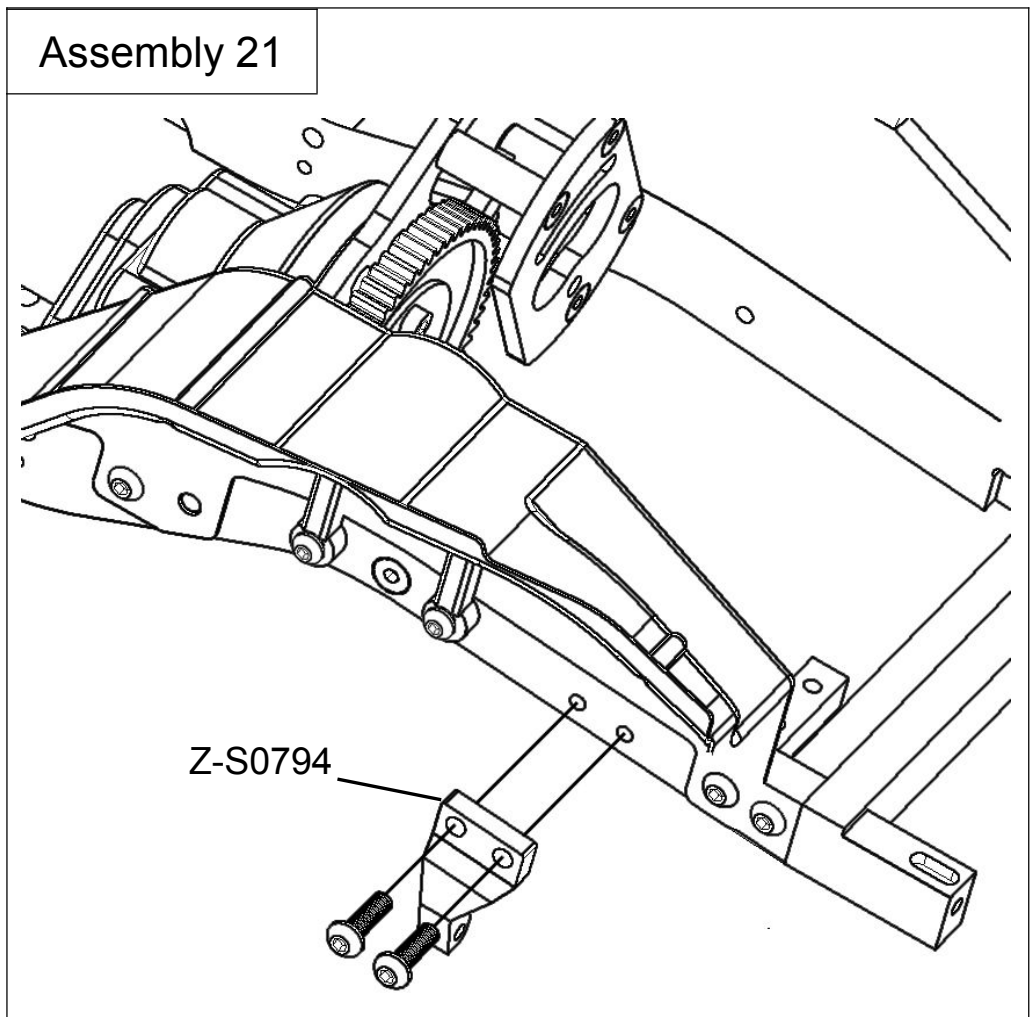
Z-S0652 
M3x8

Z-S0652 
M3x8



Thread Lock

Z-S0653 
M3x10





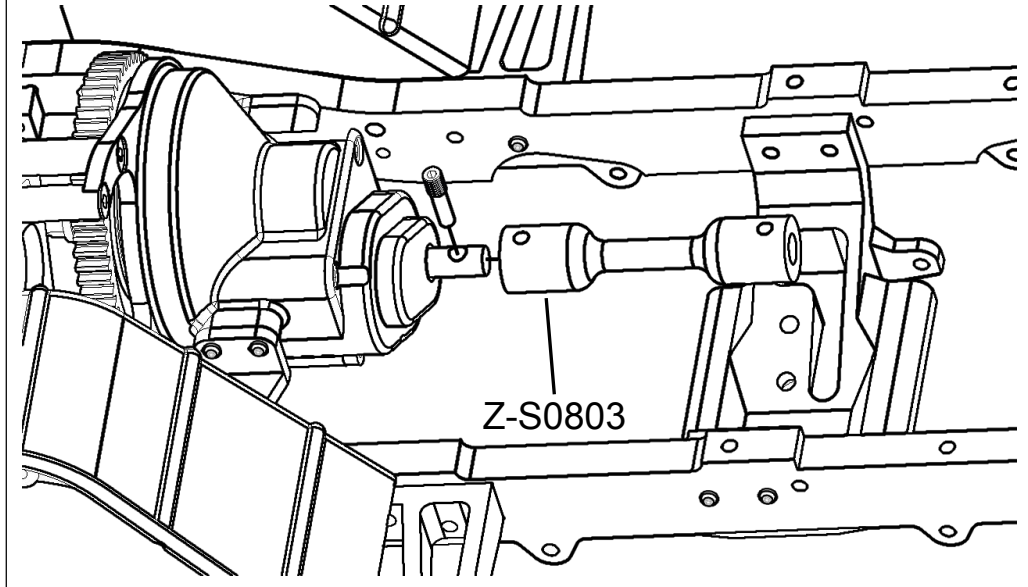
Thread Lock

Z-S0804

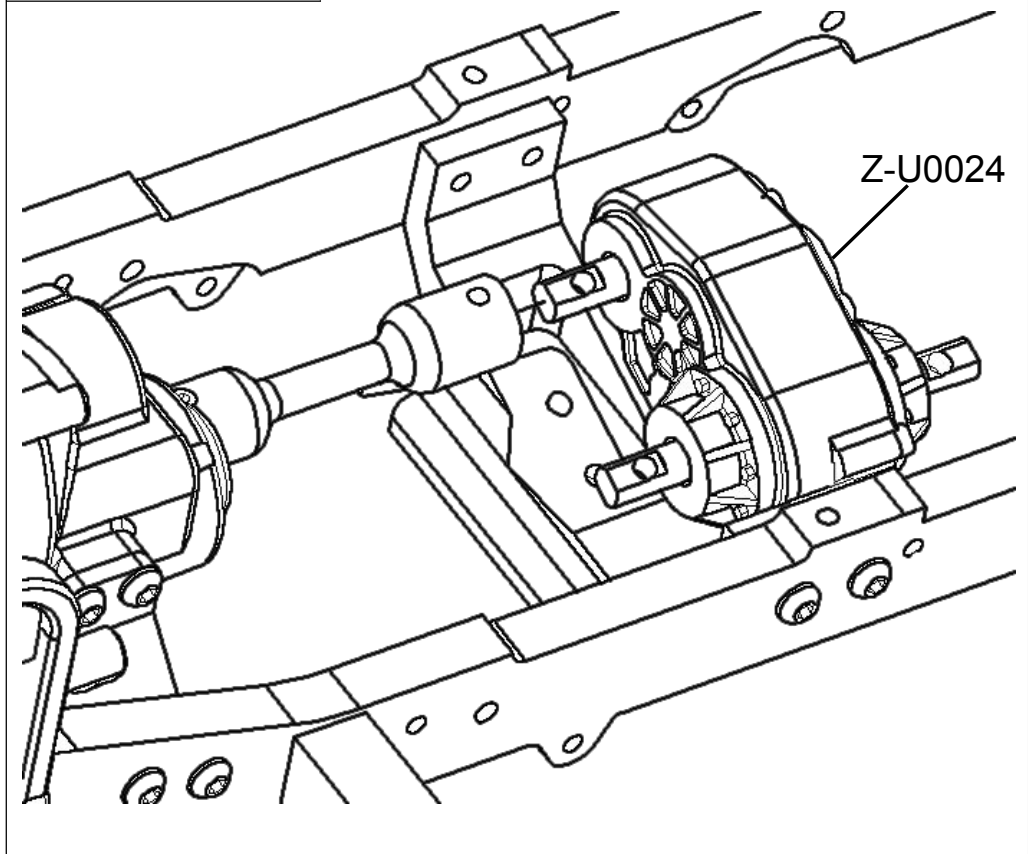
M3 Drive Shaft

Screw Pin

Assembly 22



Assembly 23





Assembly 24

Thread Lock

Z-S0651

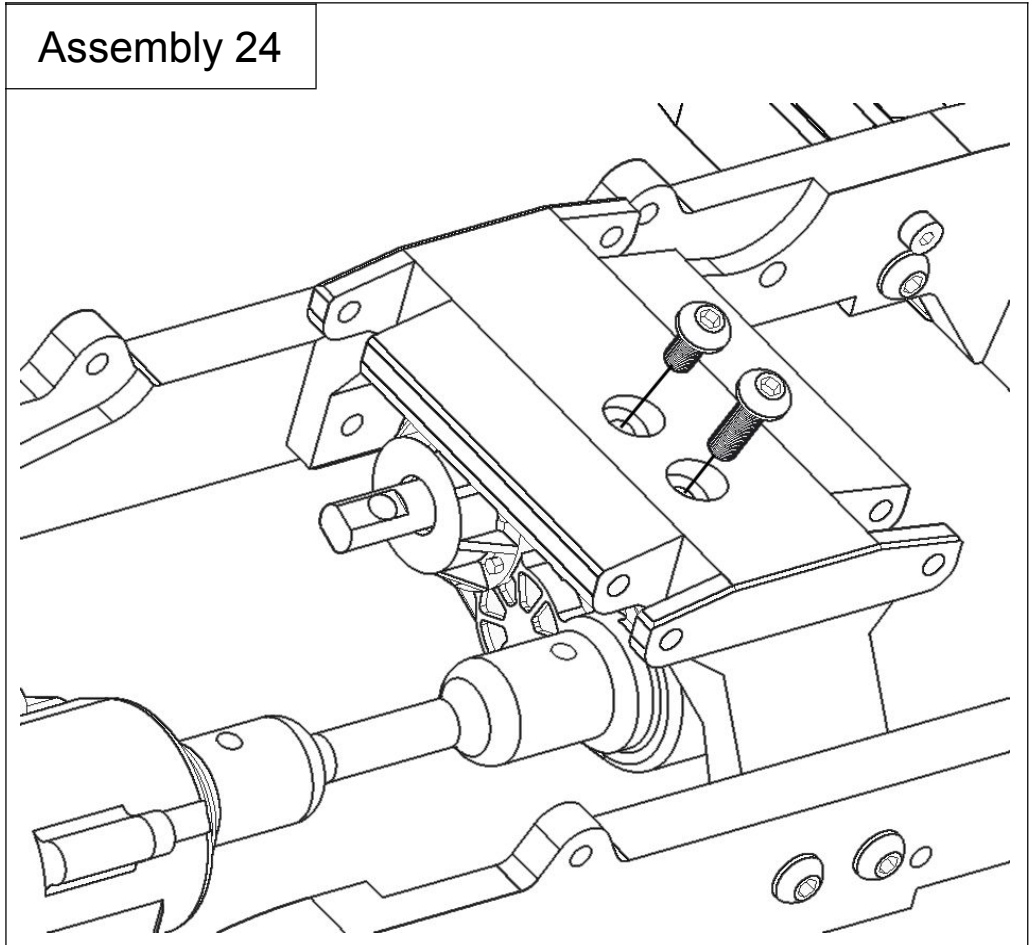


M3x6

Z-S0653



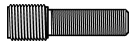
M3x10



Assembly 25

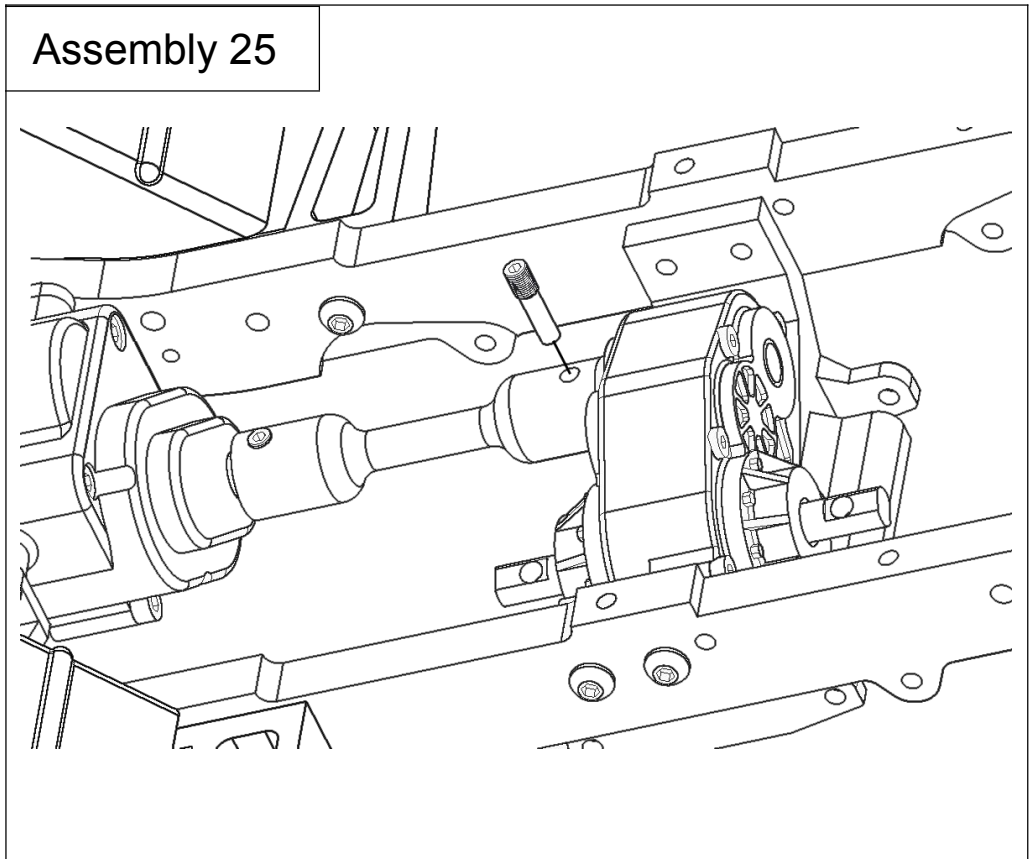
Thread Lock

Z-S0804




M3 Drive Shaft

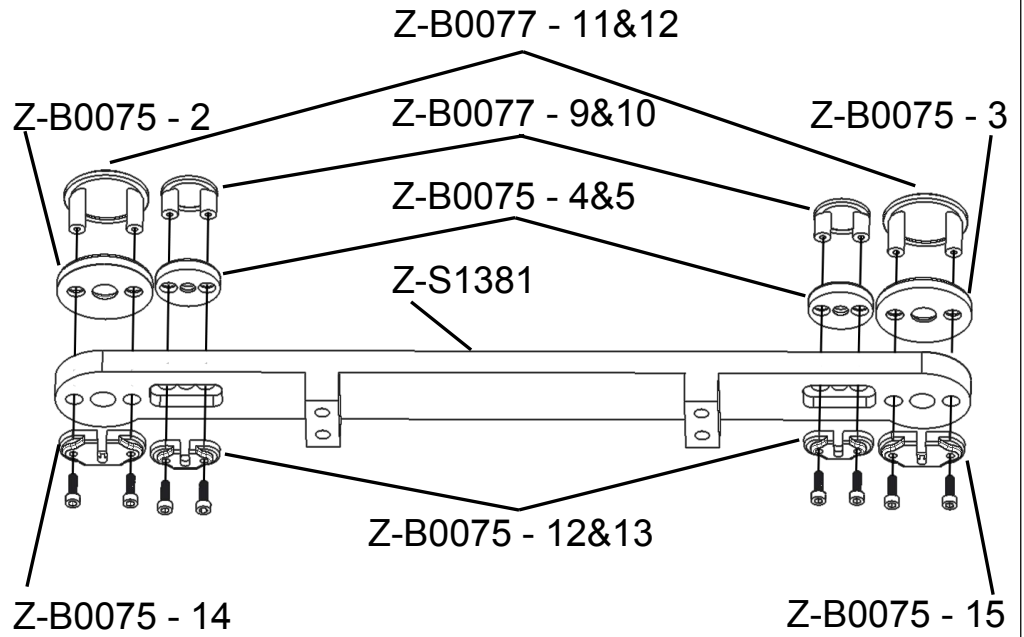
Screw Pin






Assembly 26

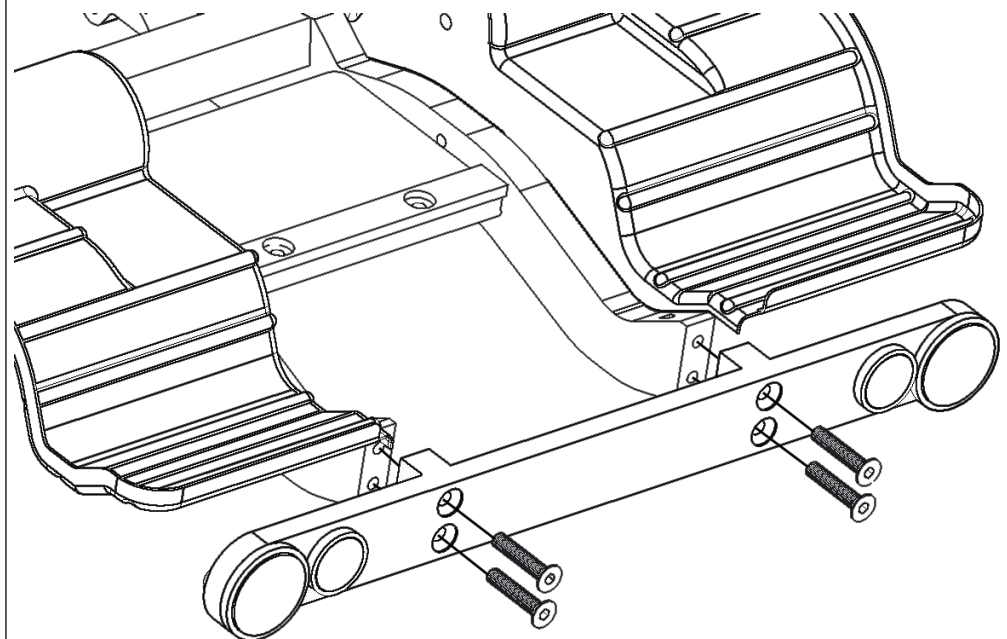
Z-S1253 
M1.6x5



Thread Lock

Assembly 27

Z-S0746 
M3x14





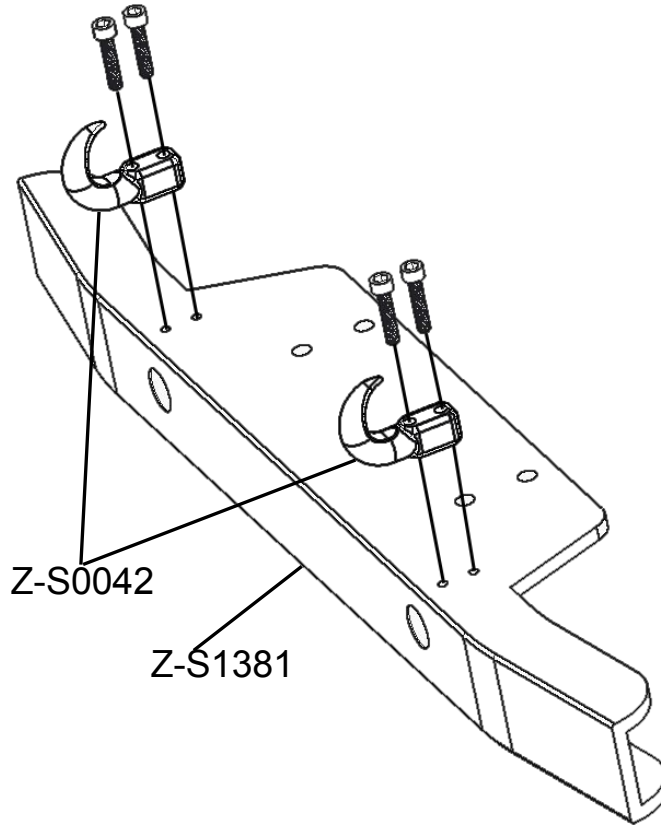
Thread Lock

Z-S1255



M1.6x8

Assembly 28



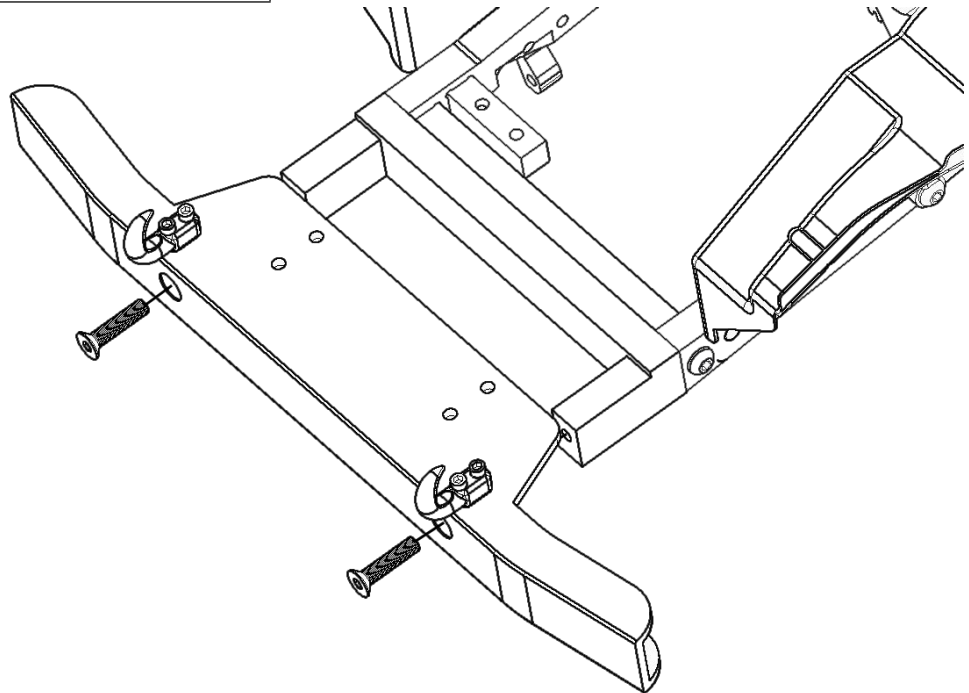
Thread Lock

Z-S0746



M3x14

Assembly 29

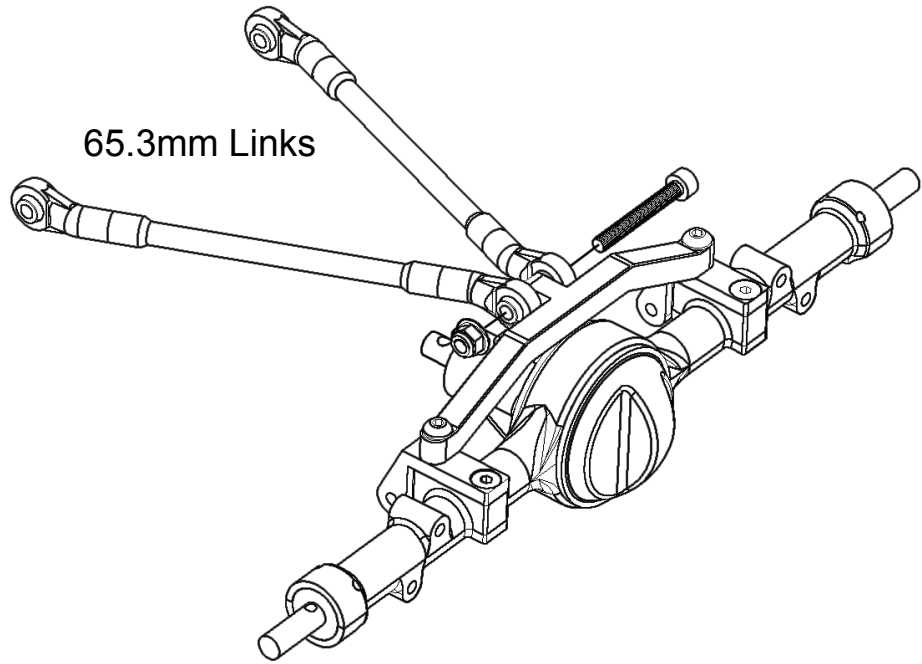




Z-S0739 
M3x25

Z-S0629 
M3 Nut


Assembly 30



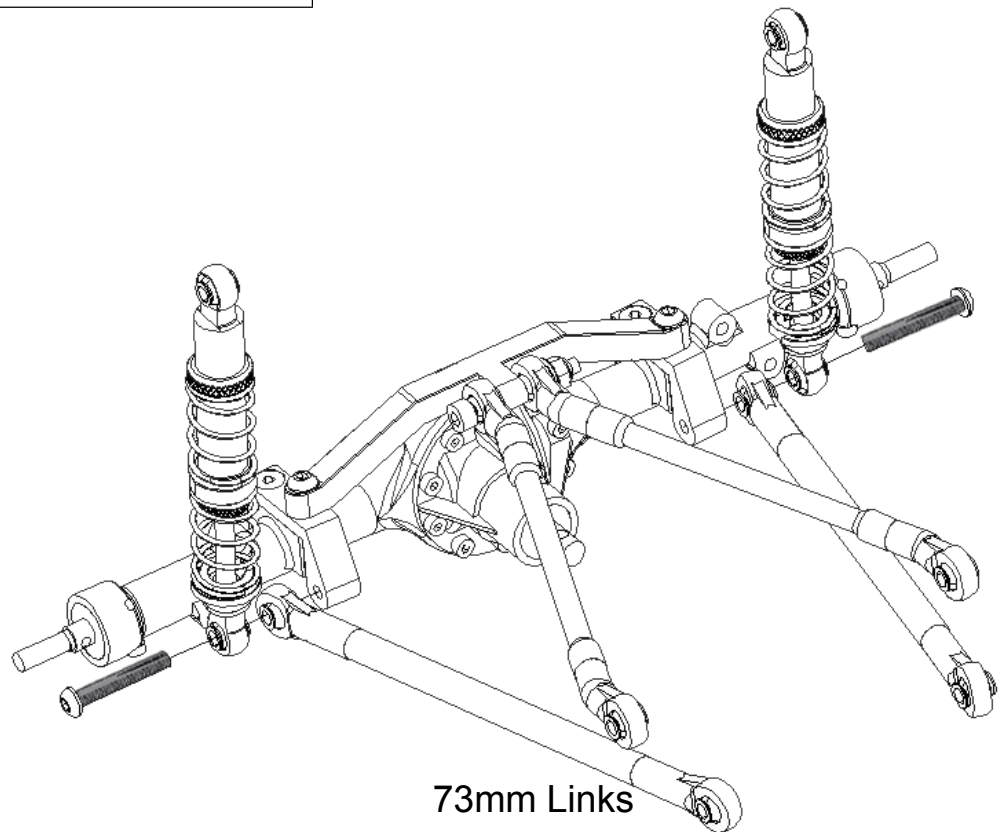
65.3mm Links



Thread Lock

Z-S0895 
M3x20


Assembly 31




73mm Links

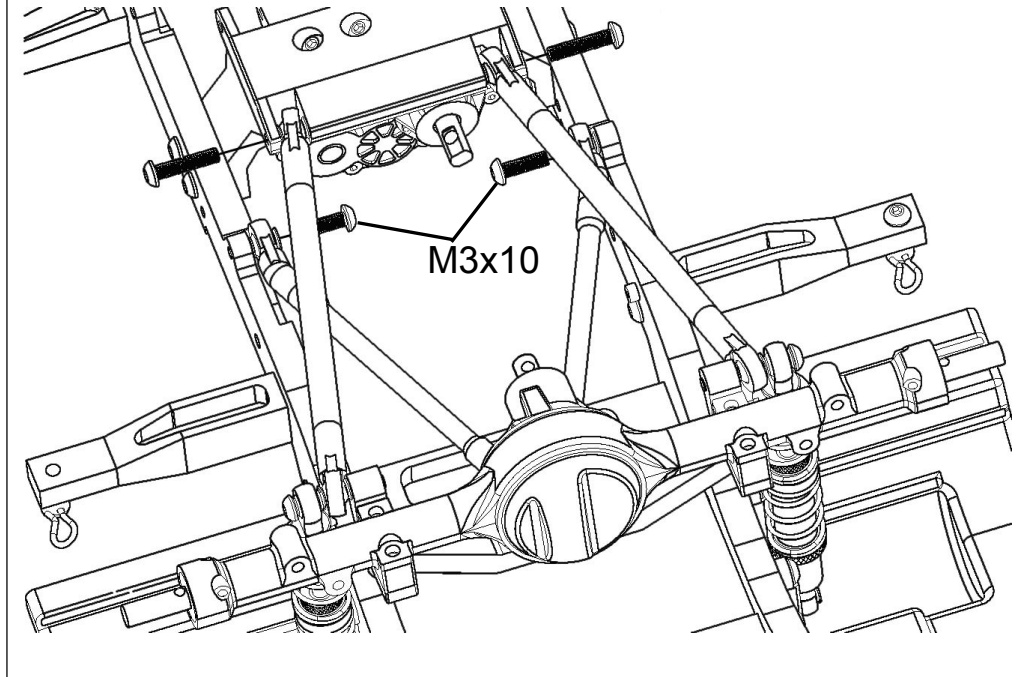


Thread Lock

Z-S0653  M3x10


Z-S0655  M3x14

Assembly 32

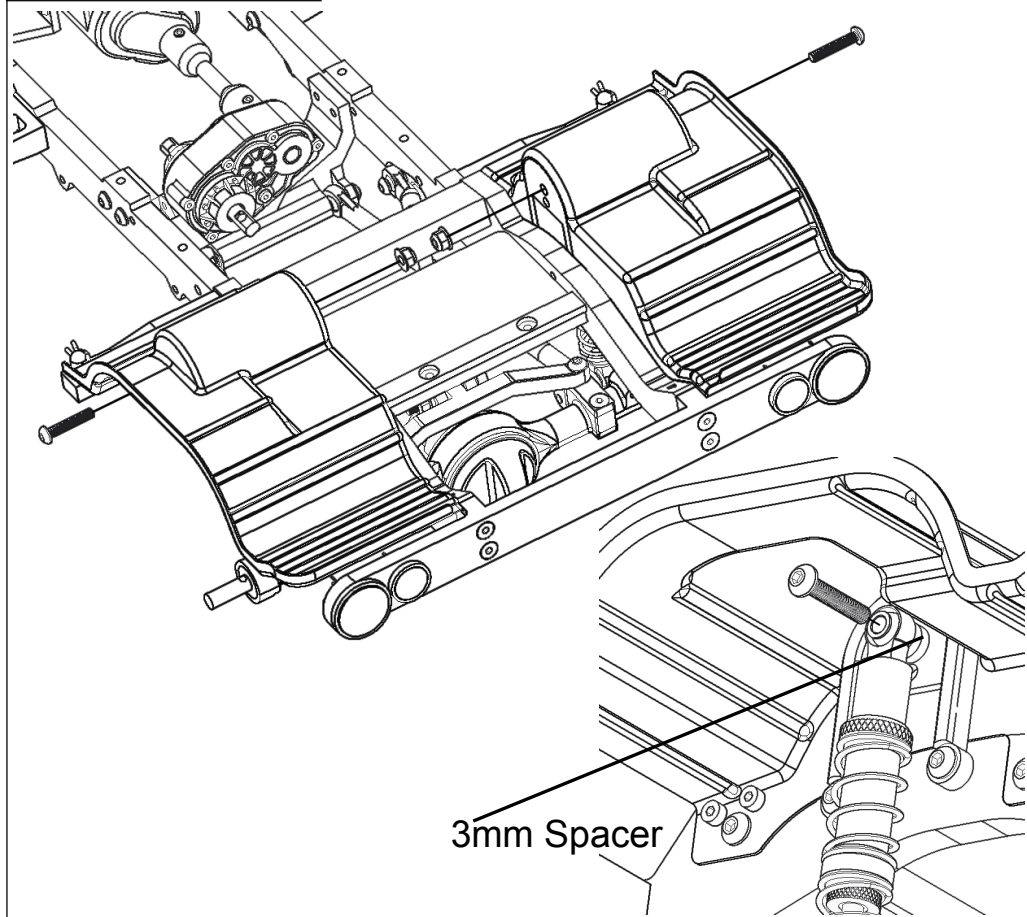


Z-S0656  M3x16

Z-S0629  M3 Nut

Z-S0806  3mm Spacer

Assembly 33





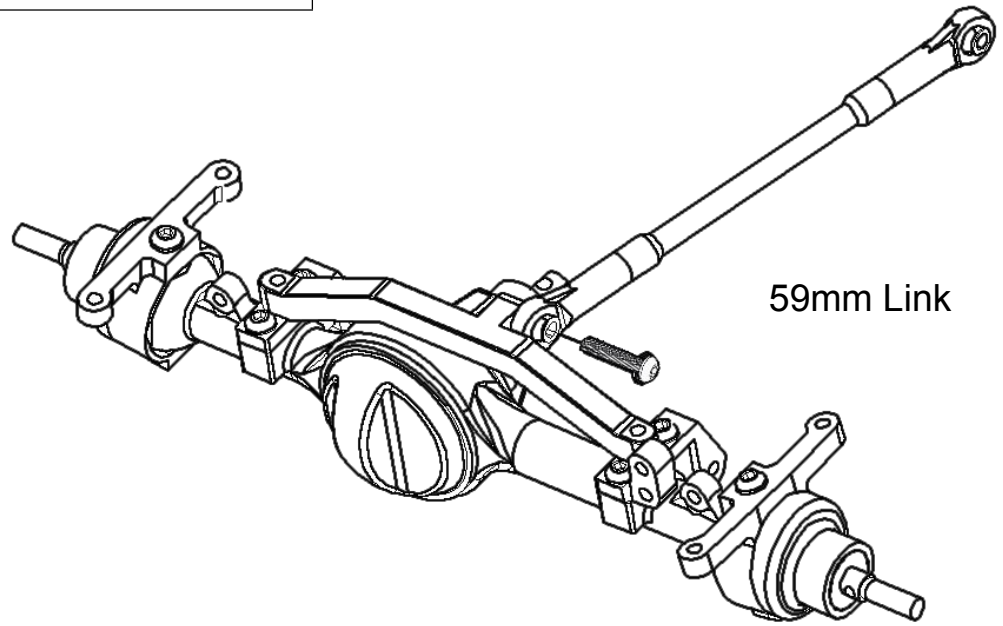
Thread Lock

Z-S0654



M3x12

Assembly 34



59mm Link



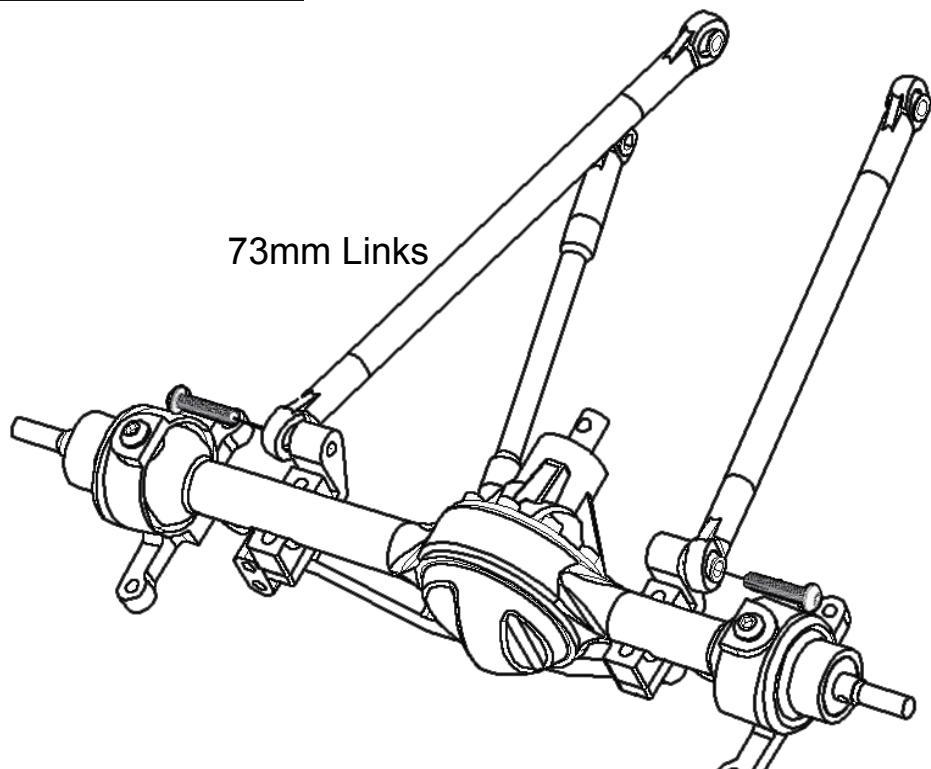
Thread Lock

Z-S0655



M3x14

Assembly 35



73mm Links



Thread Lock

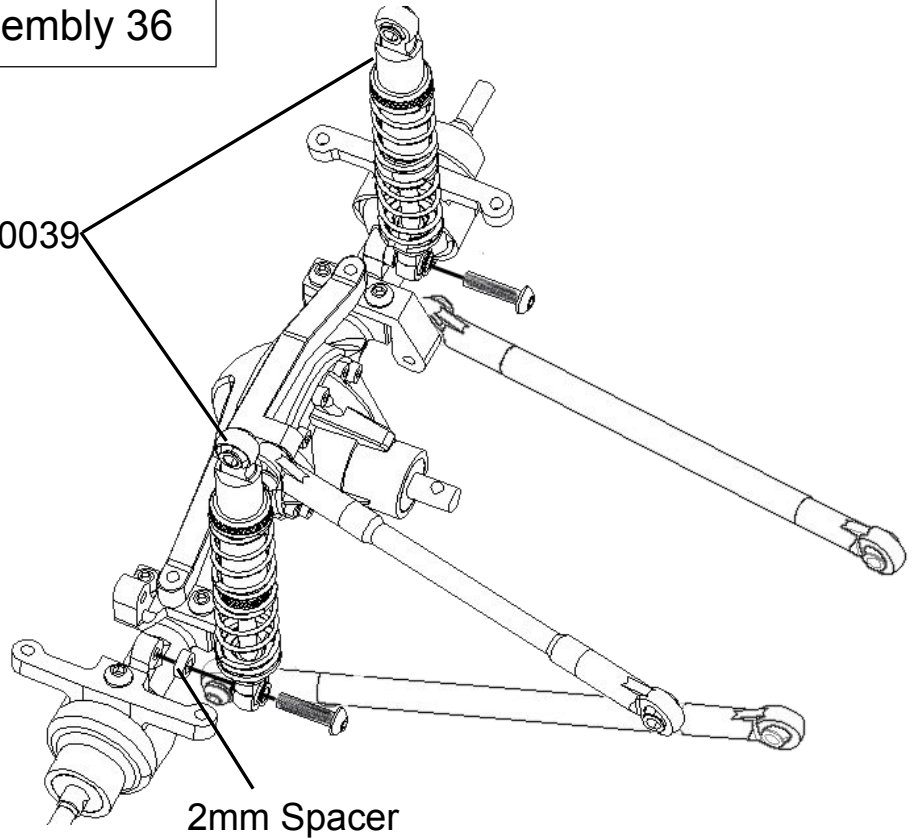
Z-S0654



M3x12

Assembly 36

Z-D0039

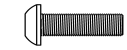


2mm Spacer



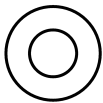
Thread Lock

Z-S0654



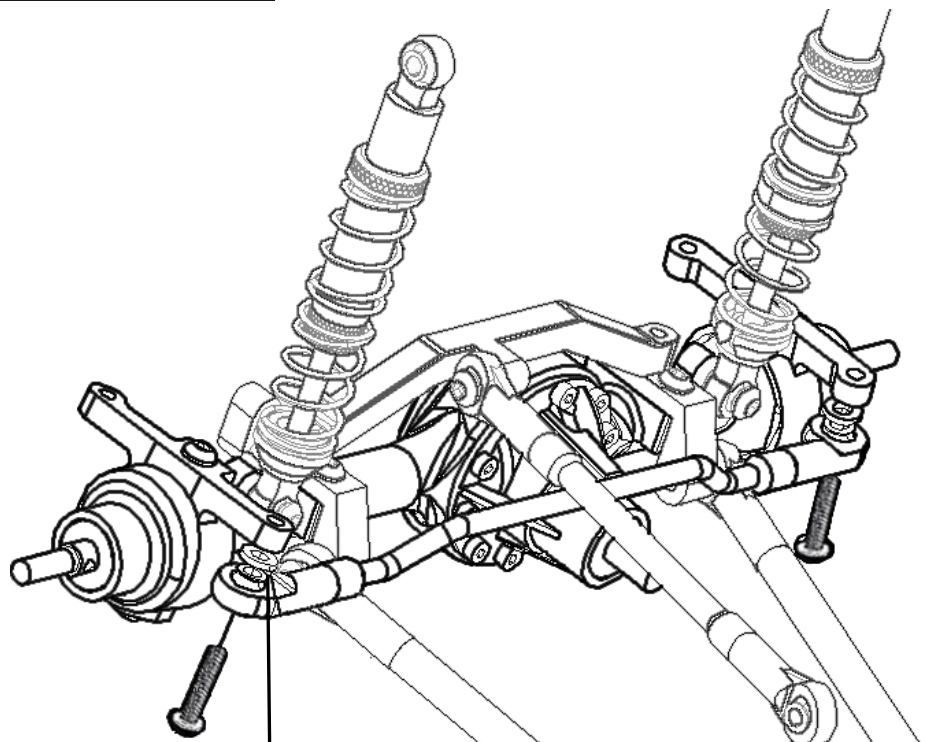
M3x12

Z-S0809



1mm Spacer

Assembly 37



1mm Spacer



Thread Lock

Z-S0653



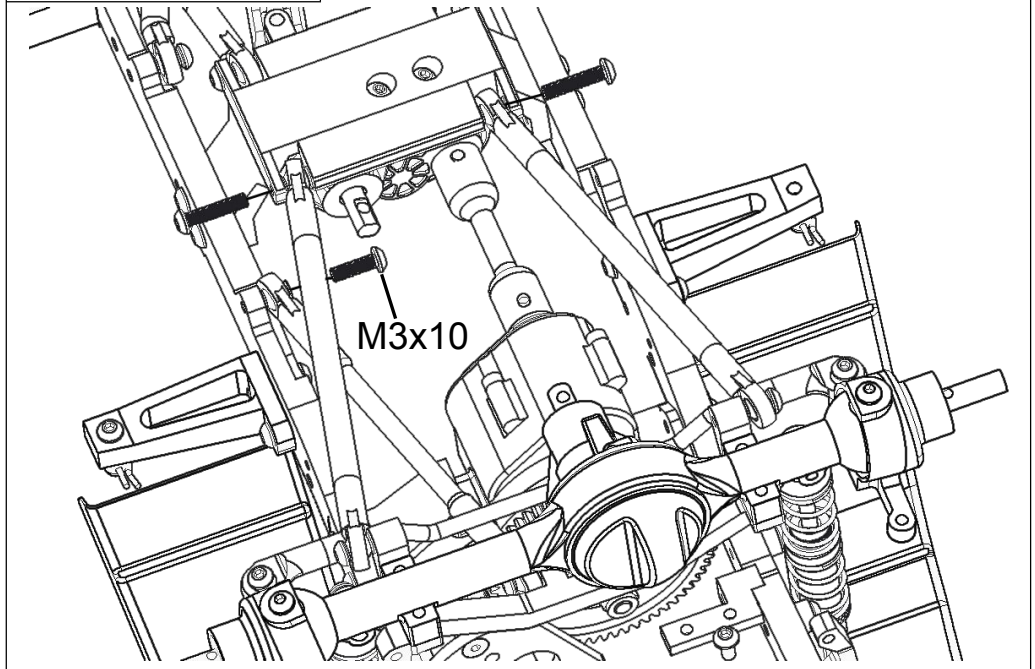
M3x10

Z-S0655



M3x14

Assembly 38



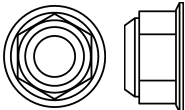
Thread Lock

Z-S0656



M3x16

Z-S0629



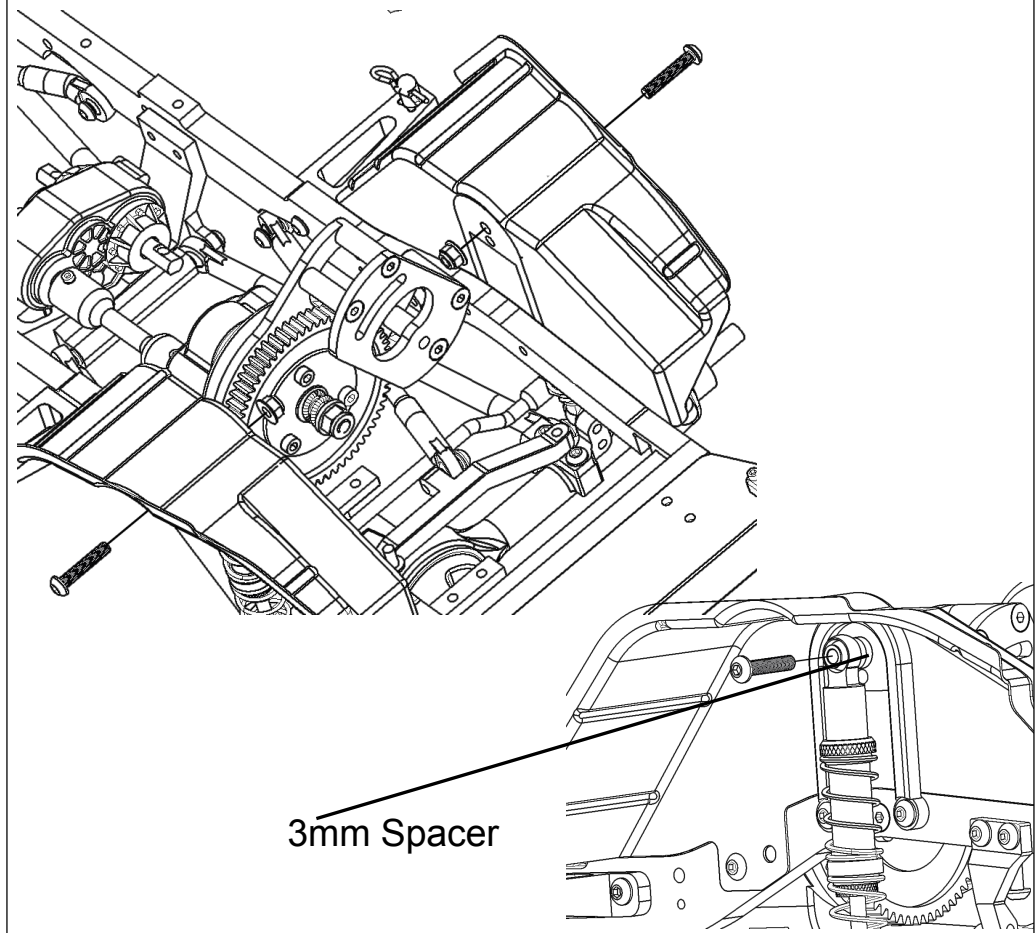
M3 Nut

Z-S0806



3mm Spacer

Assembly 39





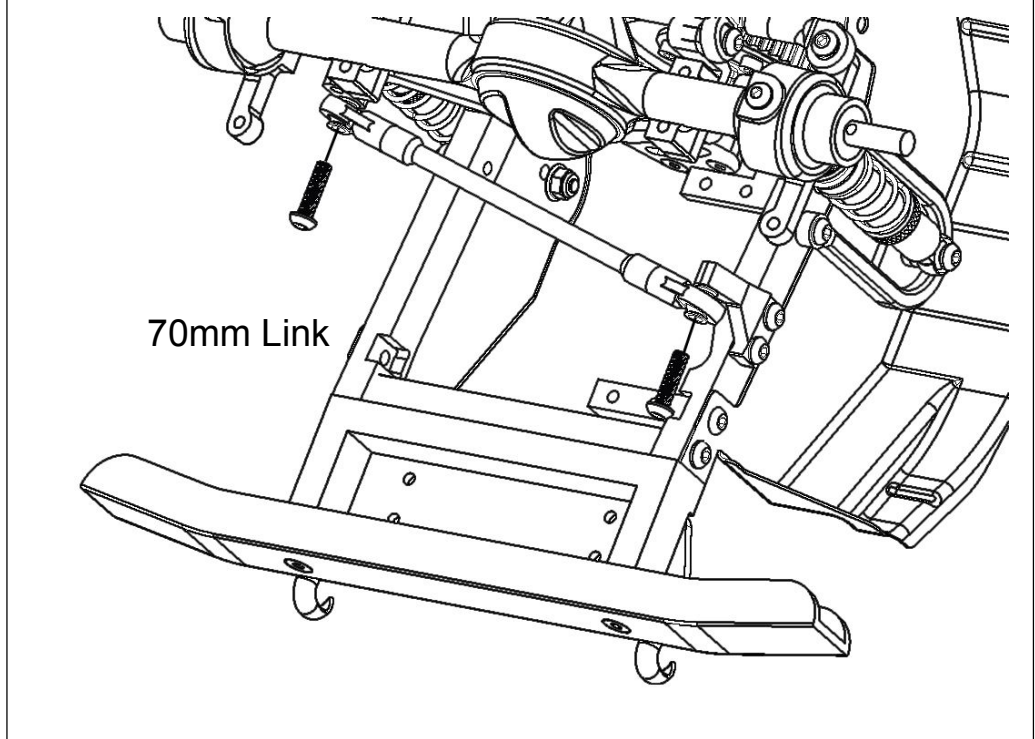
Thread Lock

Z-S0654



M3x12

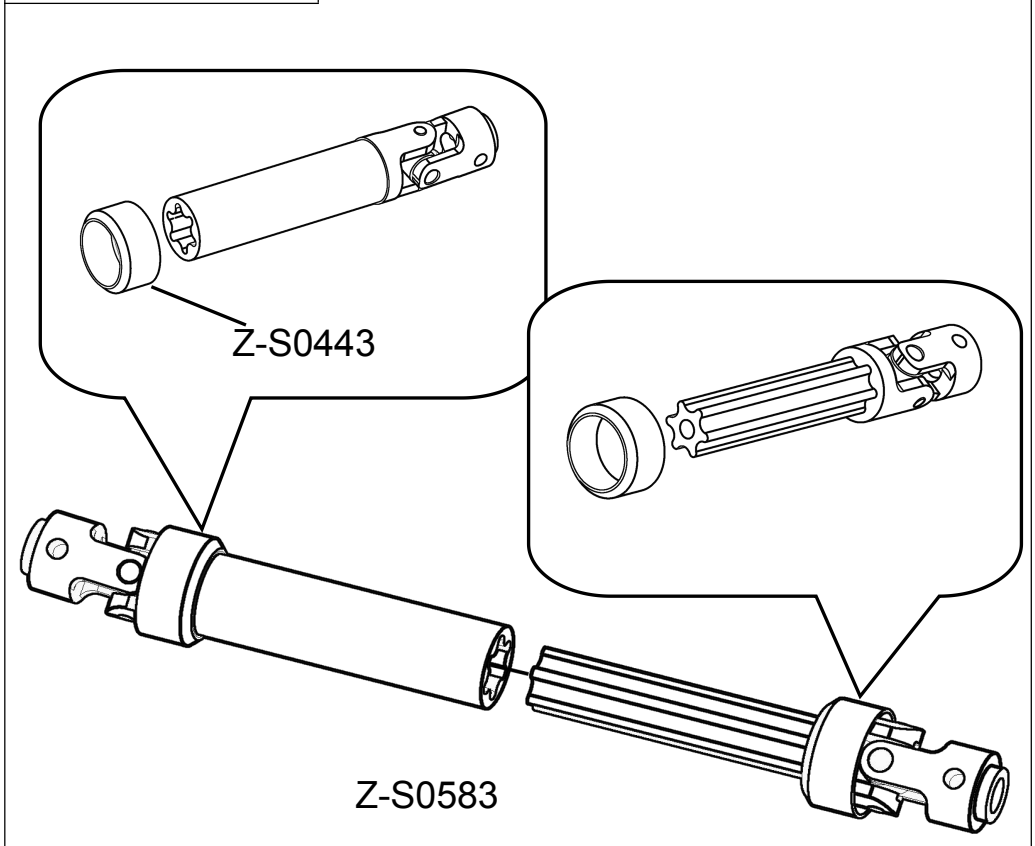
Assembly 40



70mm Link

Assembly 41

Fit drive shaft rings



Z-S0443

Z-S0583



Thread Lock

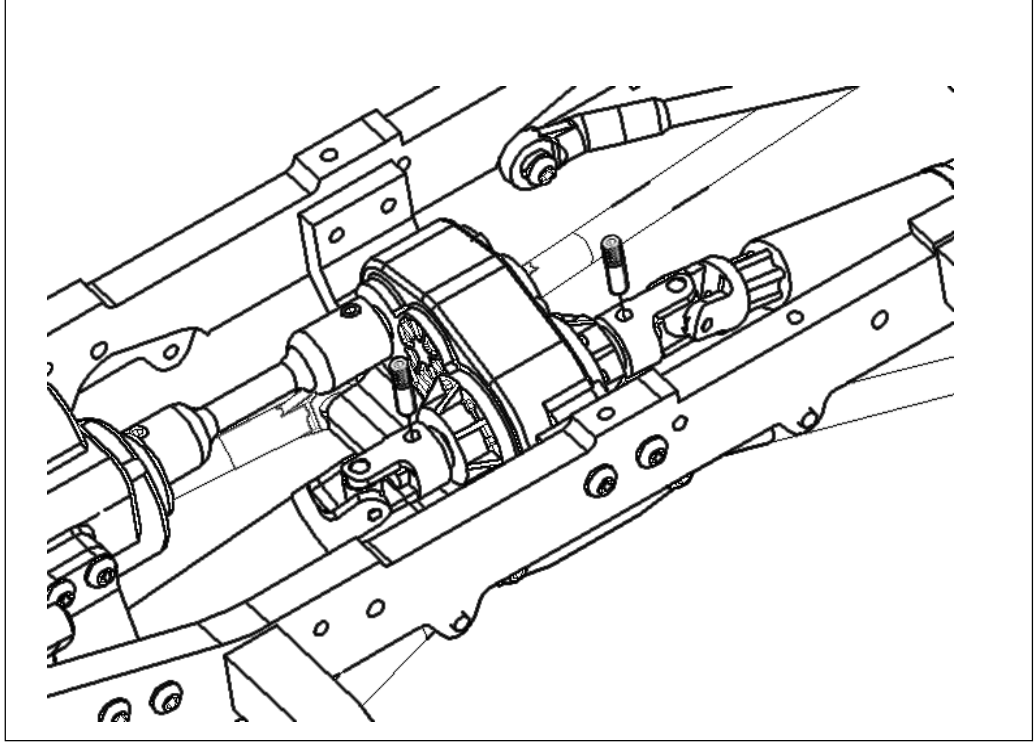
Z-S0804

M3 Drive Shaft

Screw Pin

Assembly 42

Fit both front and rear drive shafts

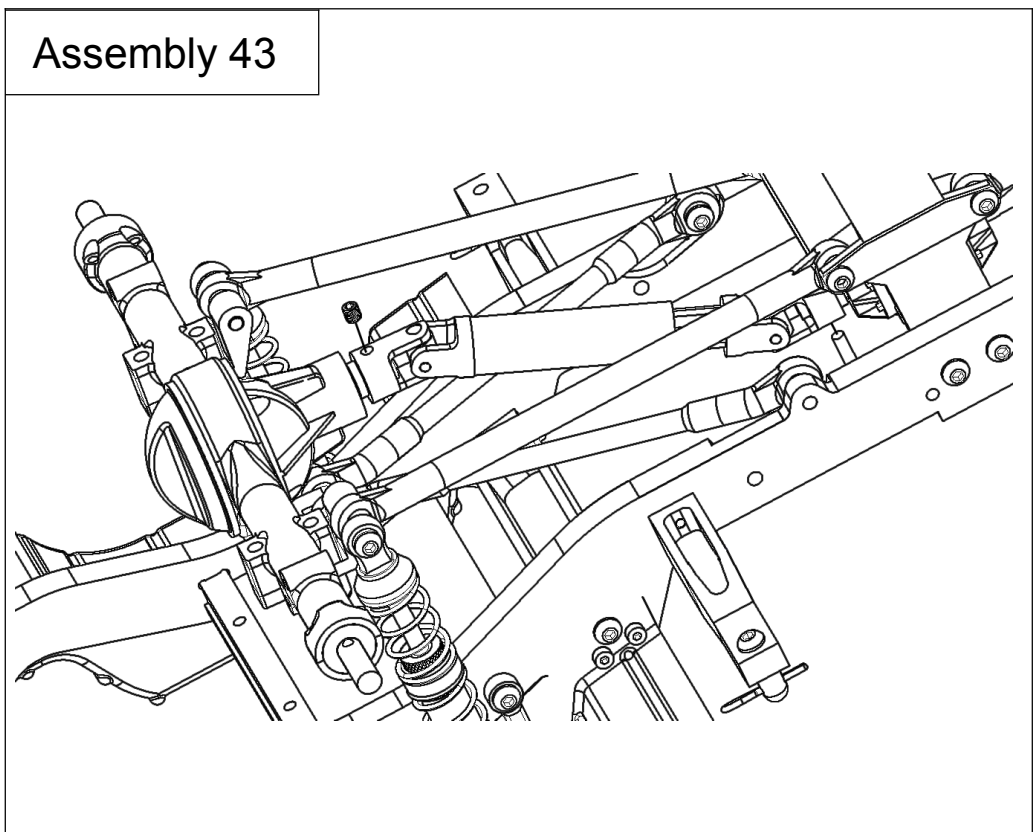


Thread Lock

Z-S0125

M3x5

Assembly 43





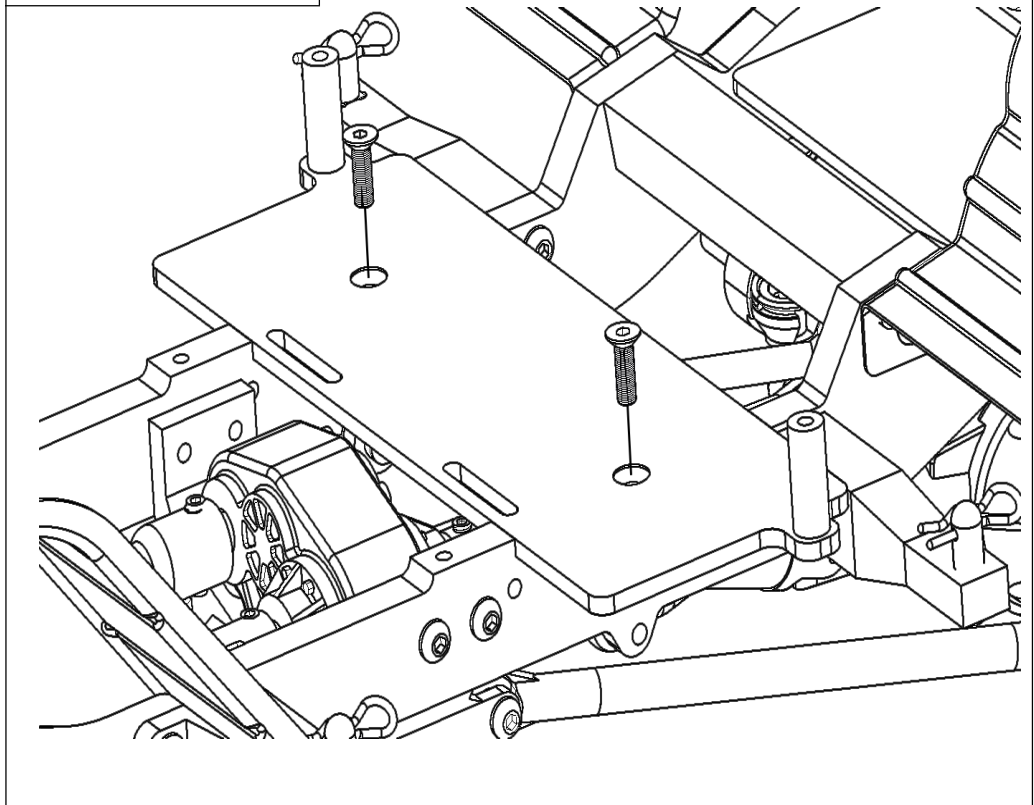
Thread Lock

Z-S0649



M3x8

Assembly 44



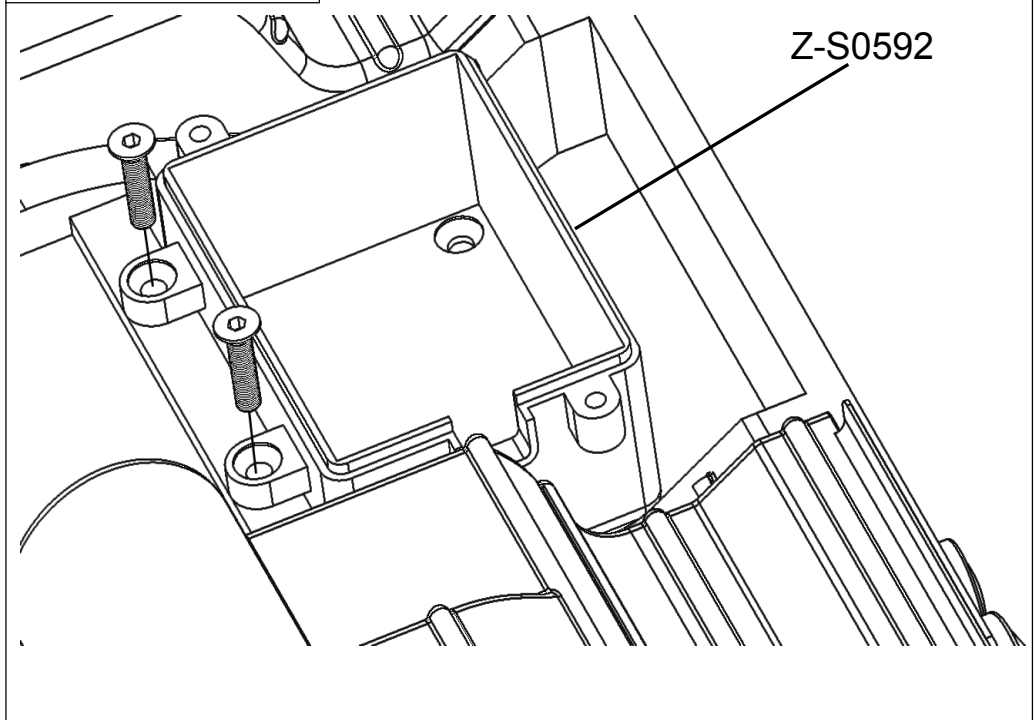
Thread Lock

Z-S0860




M3x10

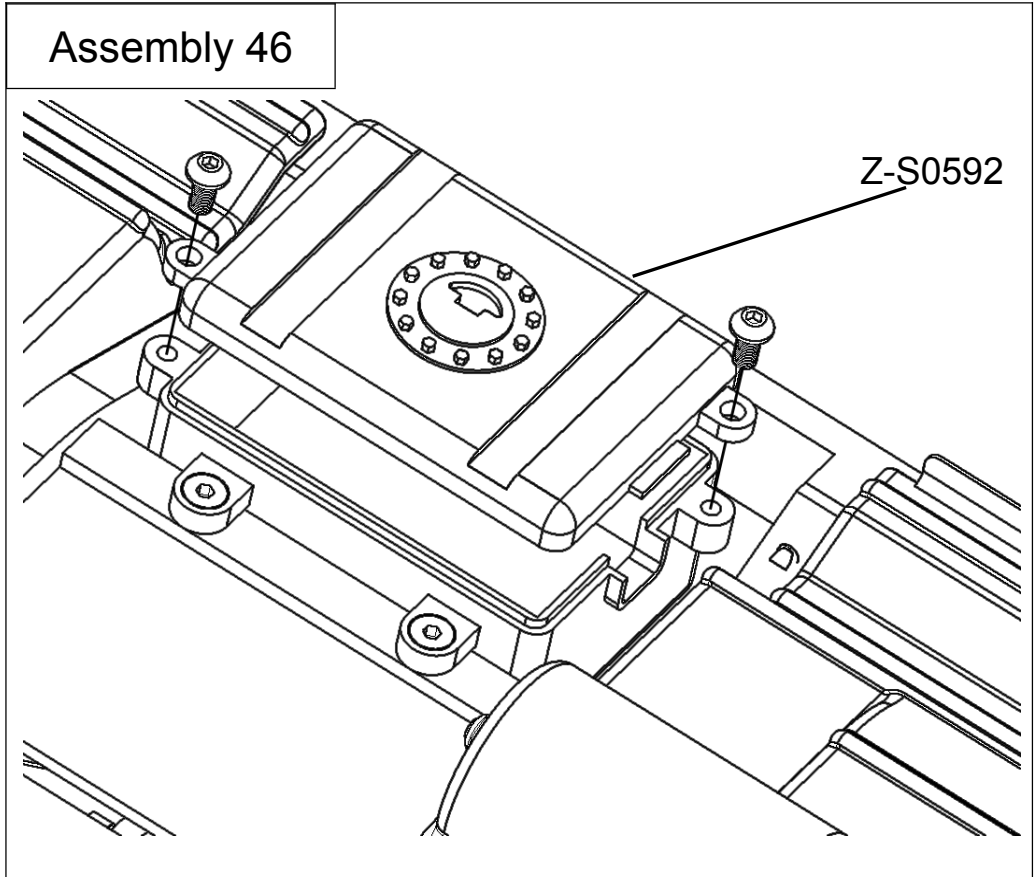
Assembly 45




Z-S0592

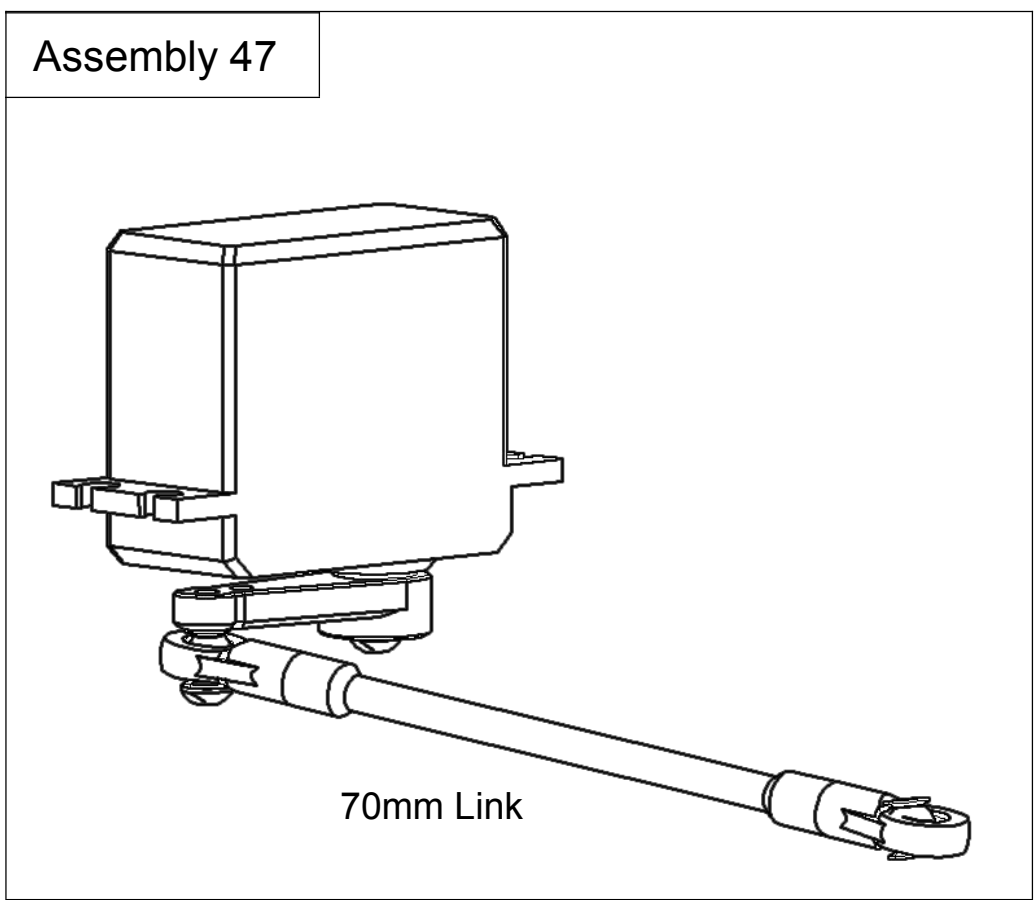


Z-S0651 
M3x6



Thread Lock

Z-S0653 
M3x10

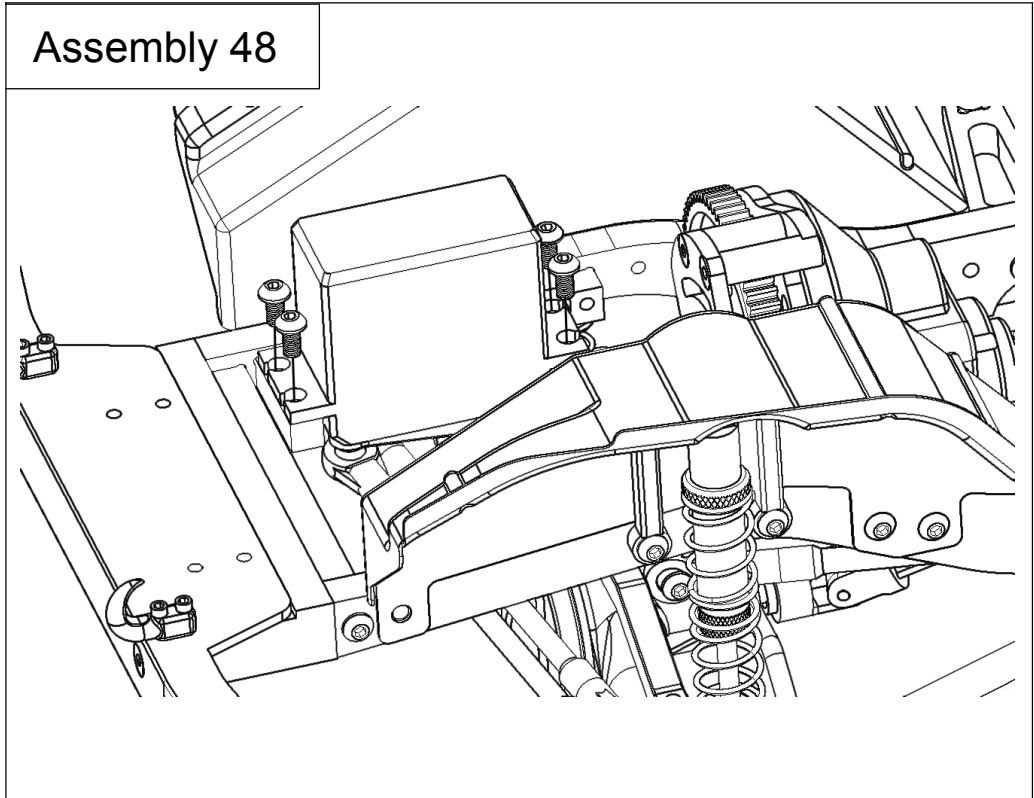




Thread Lock

Z-S0651

M3x6



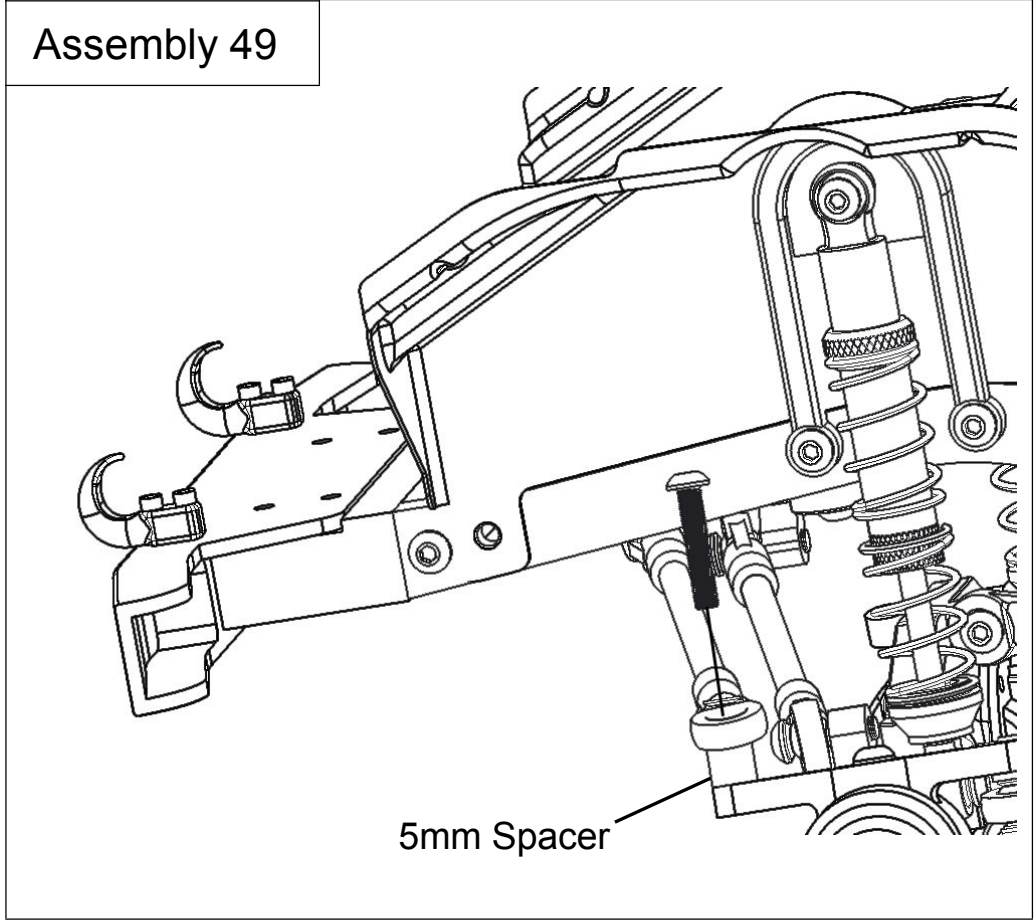
Thread Lock

Z-S0656

M3x16

Z-S0821

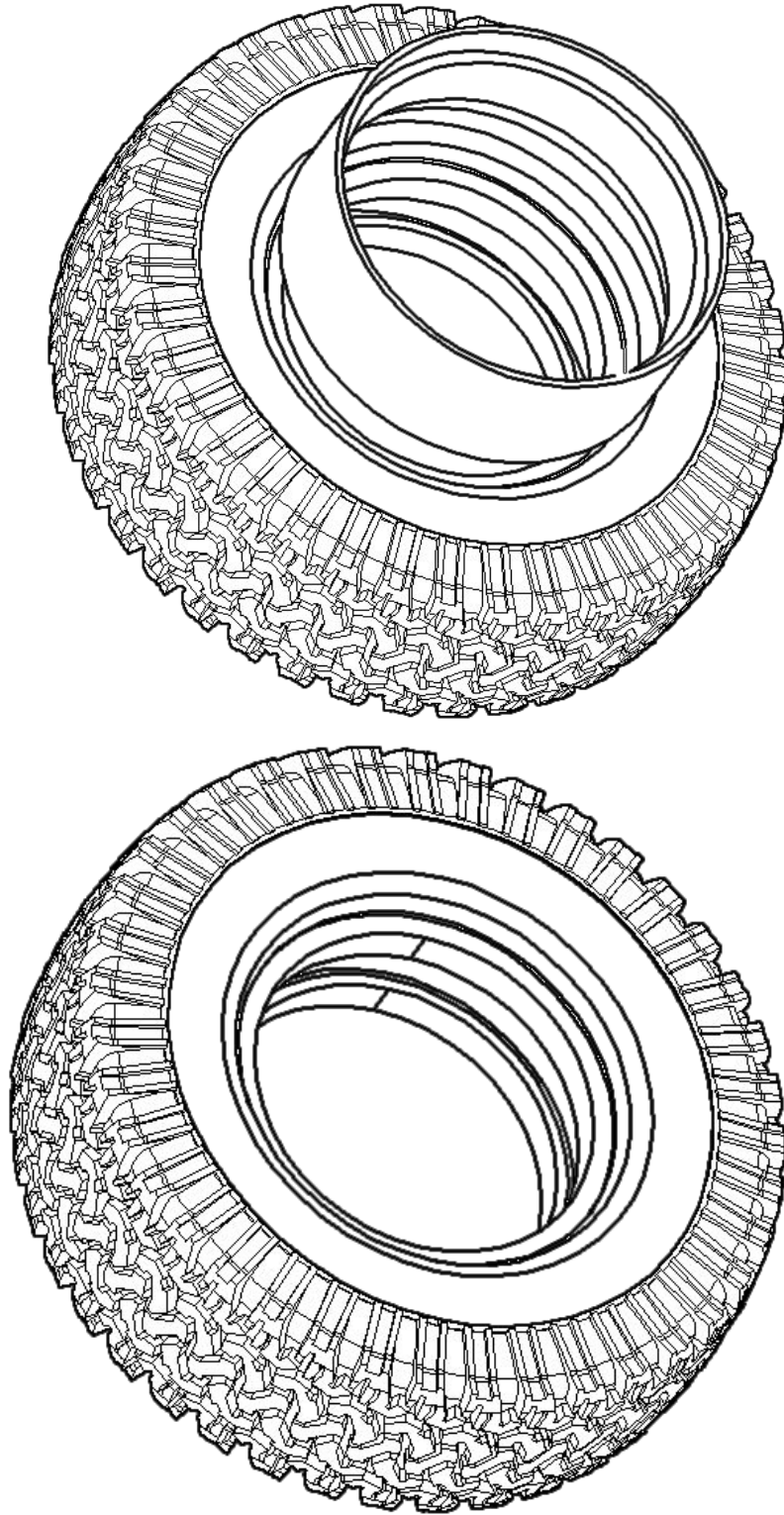
5mm Spacer





Assembly 50

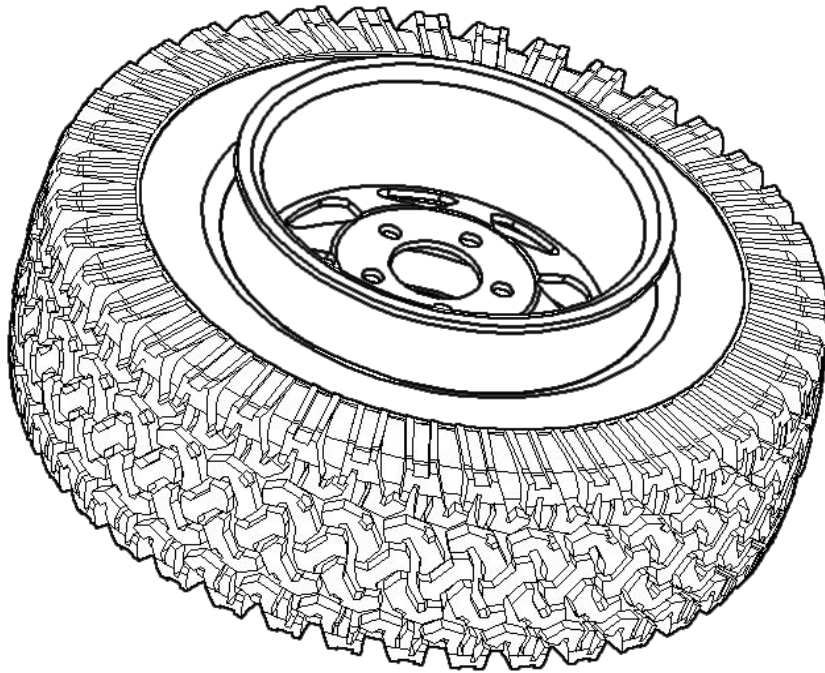
1. Insert the ring inside the tire.



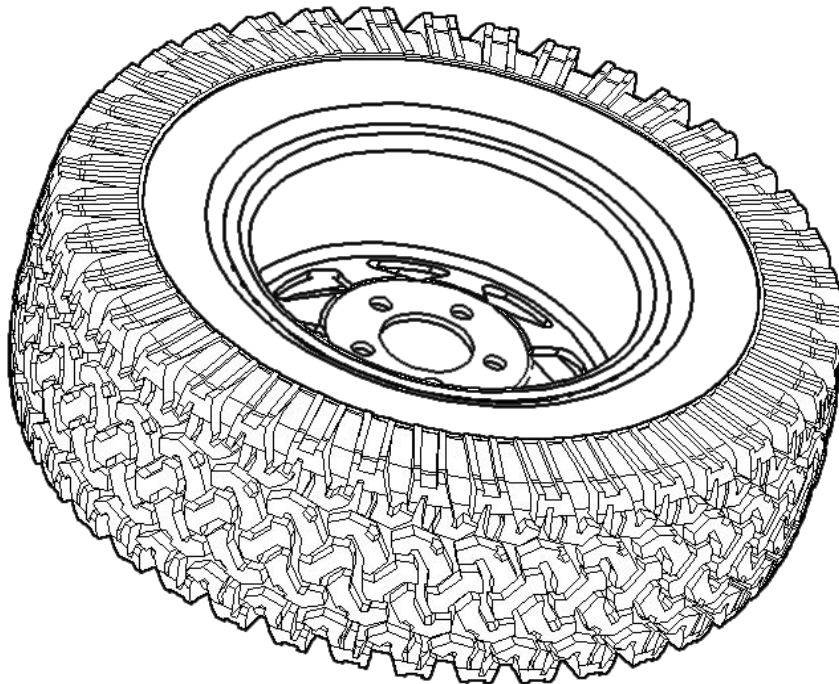


Assembly 51

2. Place the rear wheel half way through the ring.



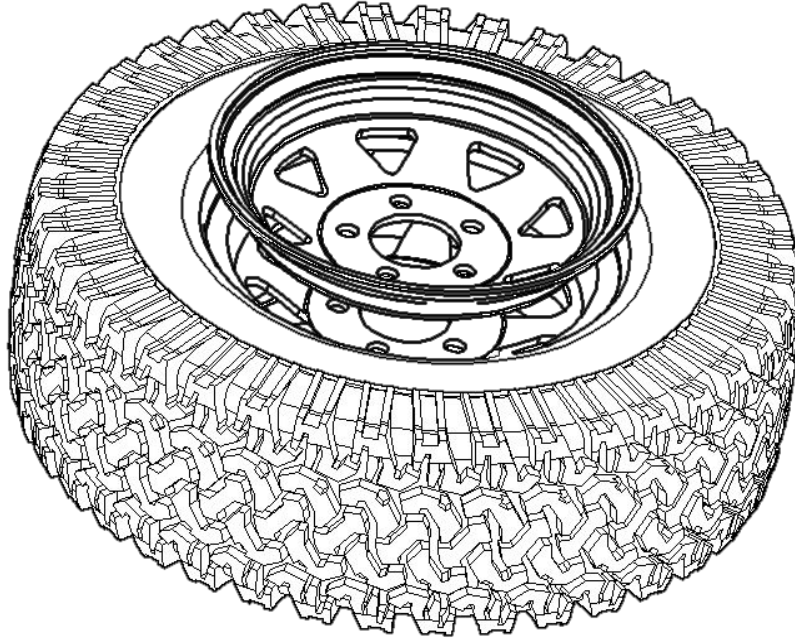
3. Ensure that the tire bead is evenly captured in the wheel rim. The tire may need to be pulled out a little to make it sit properly.



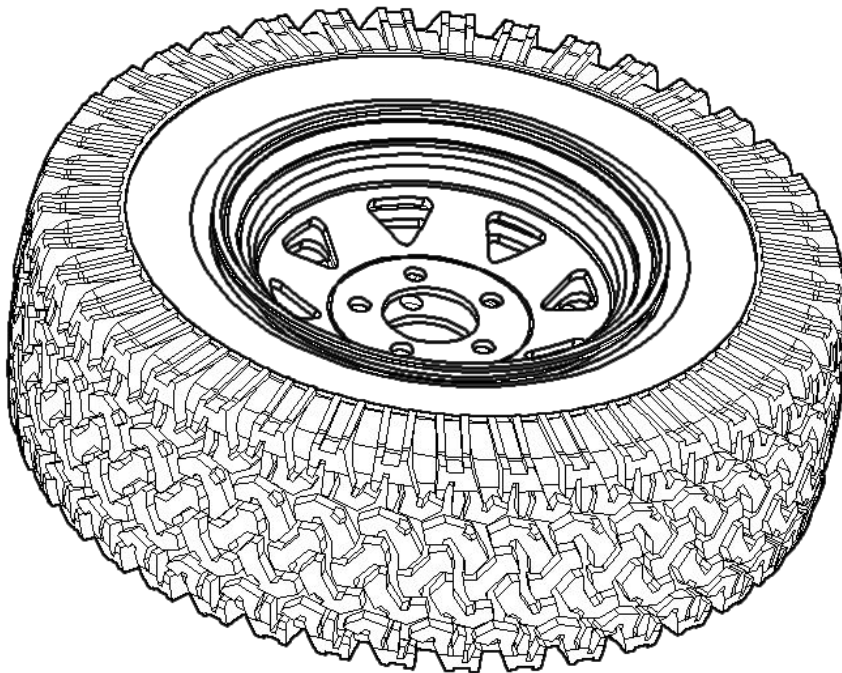


Assembly 52


4. Place the front wheel half way through the ring. Ensure that the wheel design is aligned with both the front and rear.



5. Ensure that the tire bead is evenly captured in the wheel rim. The tire may need to be pulled out a little to make it sit properly.

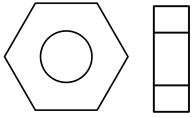




Z-S1380 

M2.5x12

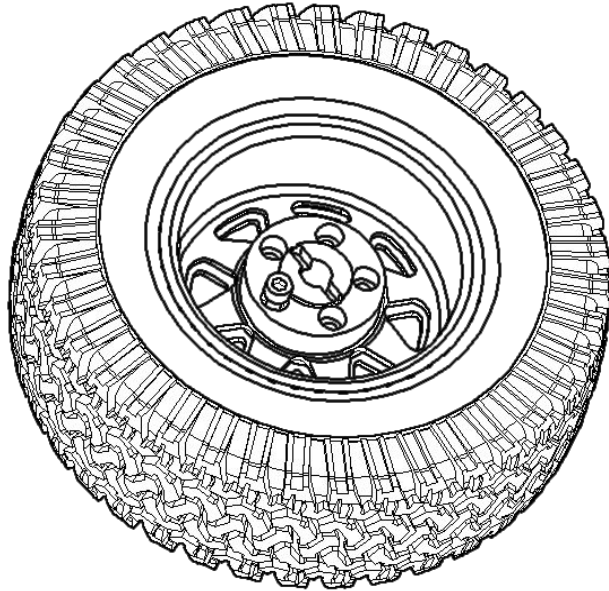
Z-S0303



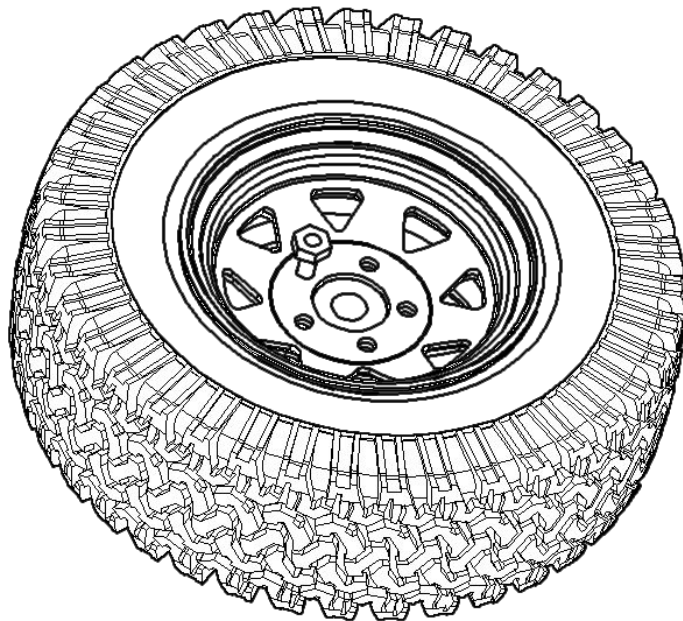
M2.5 Nut

Assembly 53


6. Place the wheel hub on the rear of the wheel and insert a long bolt (M2.5x12mm) through the wheel.

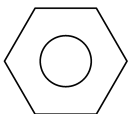
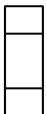


7. Ensure that the tire bead is evenly captured in the wheel rim. The tire may need to be pulled out a little to make it sit properly.



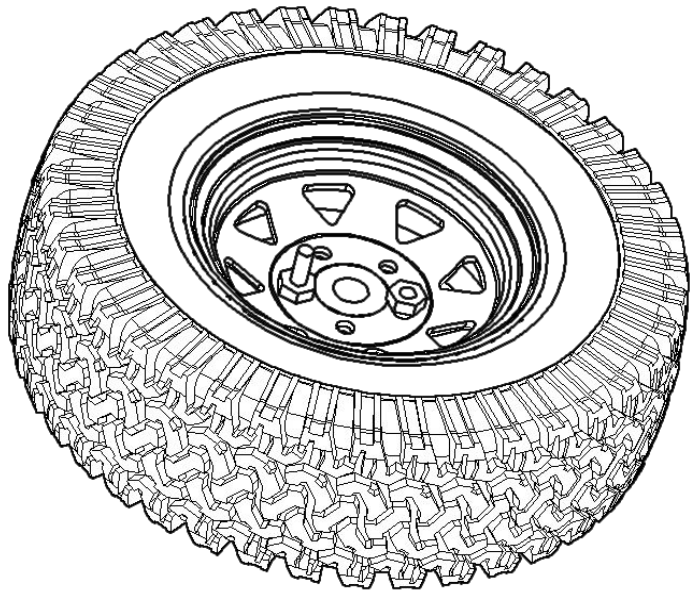



Z-S1380 
M2.5x12



Z-S0303  
M2.5 Nut

Assembly 54

8. Place the wheel hub on the rear of the wheel and insert a long bolt (M2.5x12mm) through the wheel.

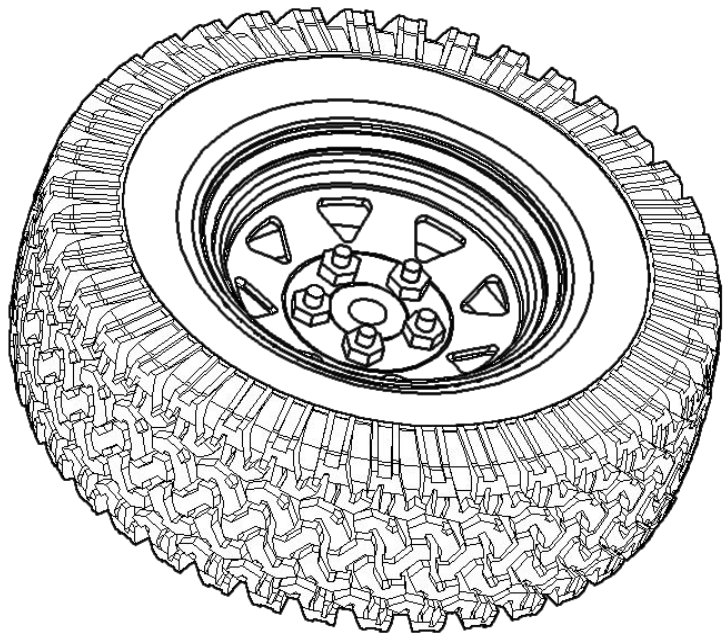


Z-S0829 
M2.5x8


Z-S0303  
M2.5 Nut

Assembly 55

9. Fit all of the remaining bolts and nuts. Swap the long bolts that were used to fit with the shorter bolts.

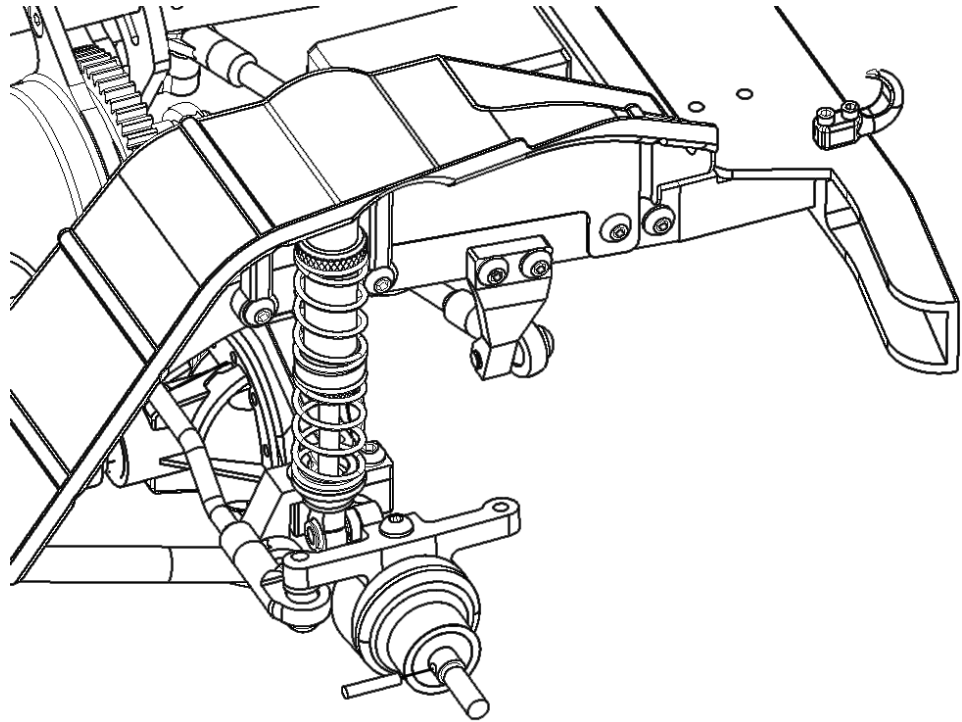





2mm Pin

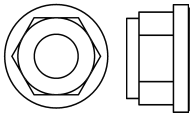
Assembly 56

Note: Fit all four wheels.

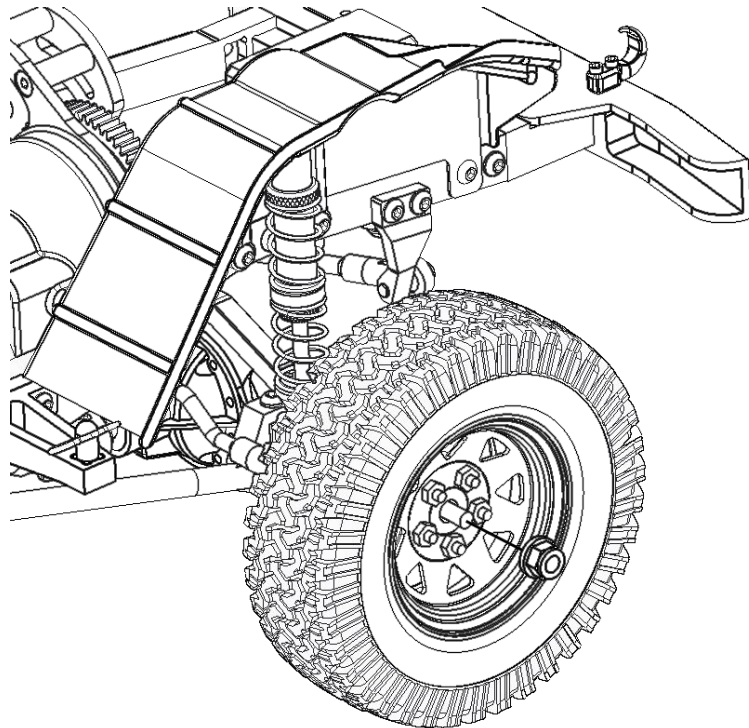


Assembly 57

Z-S1265

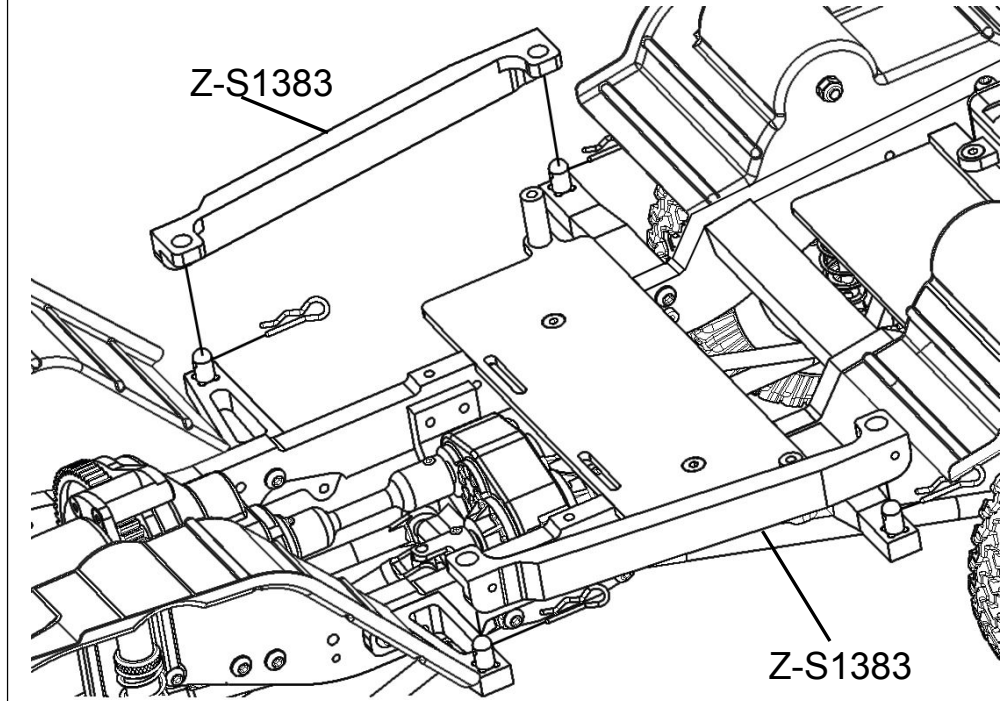



M4 Nut



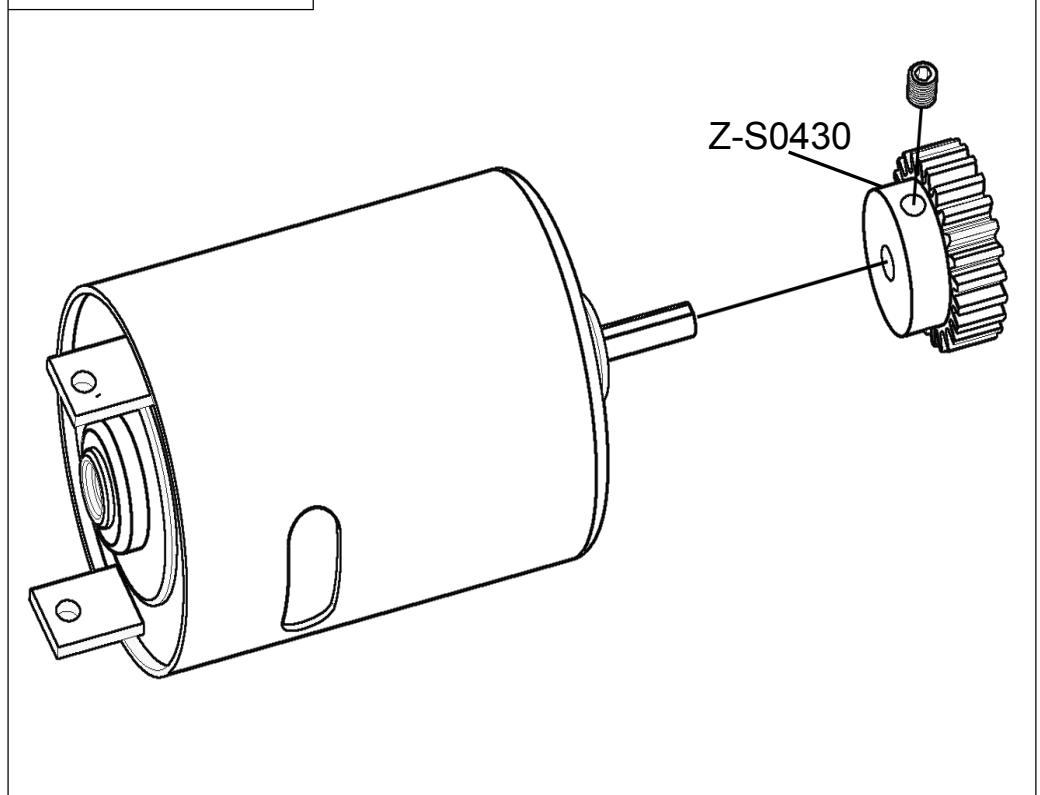


Assembly 58



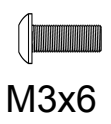
Z-S0125 
M3x5

Assembly 59



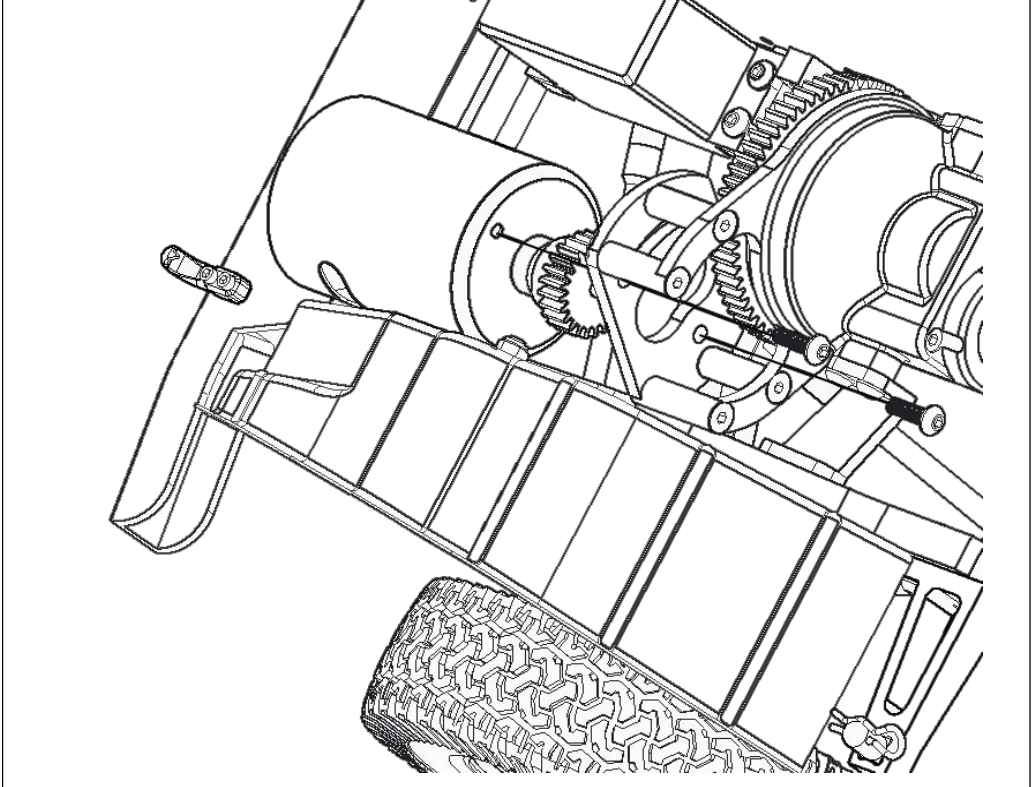


Z-S0651



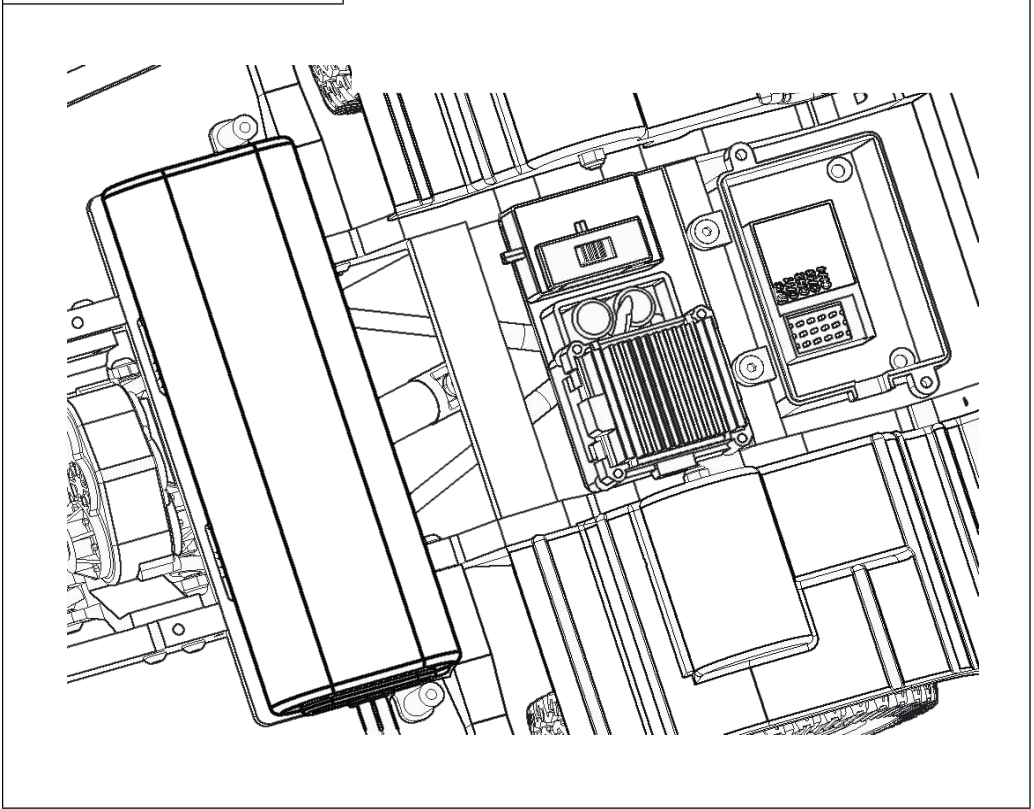
M3x6

Assembly 60



Assembly 61

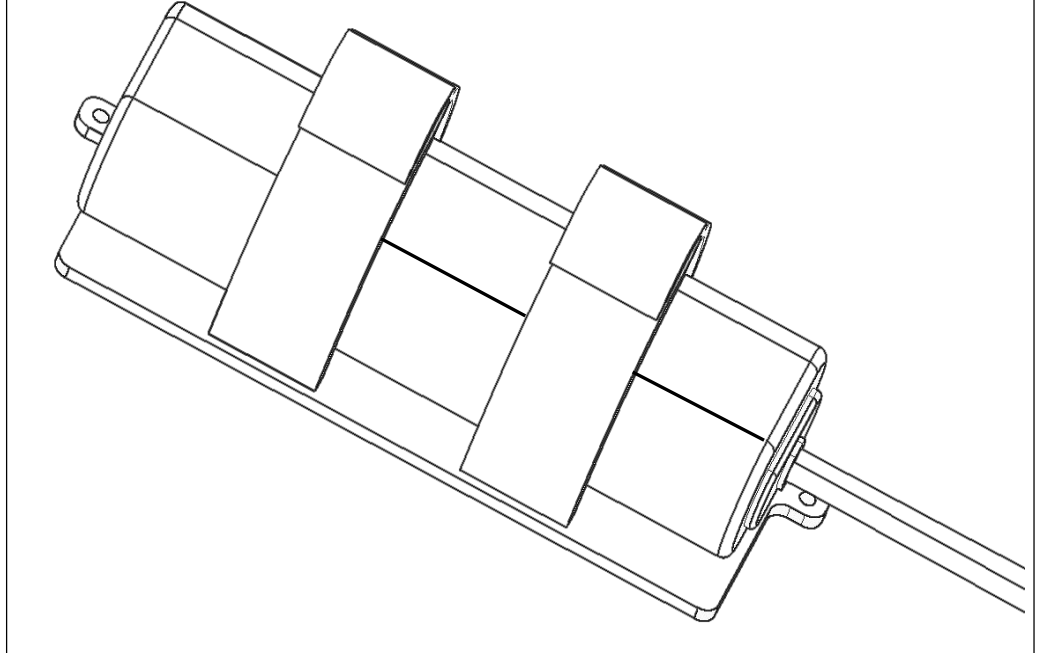
Note: Battery is not included.





Assembly 62

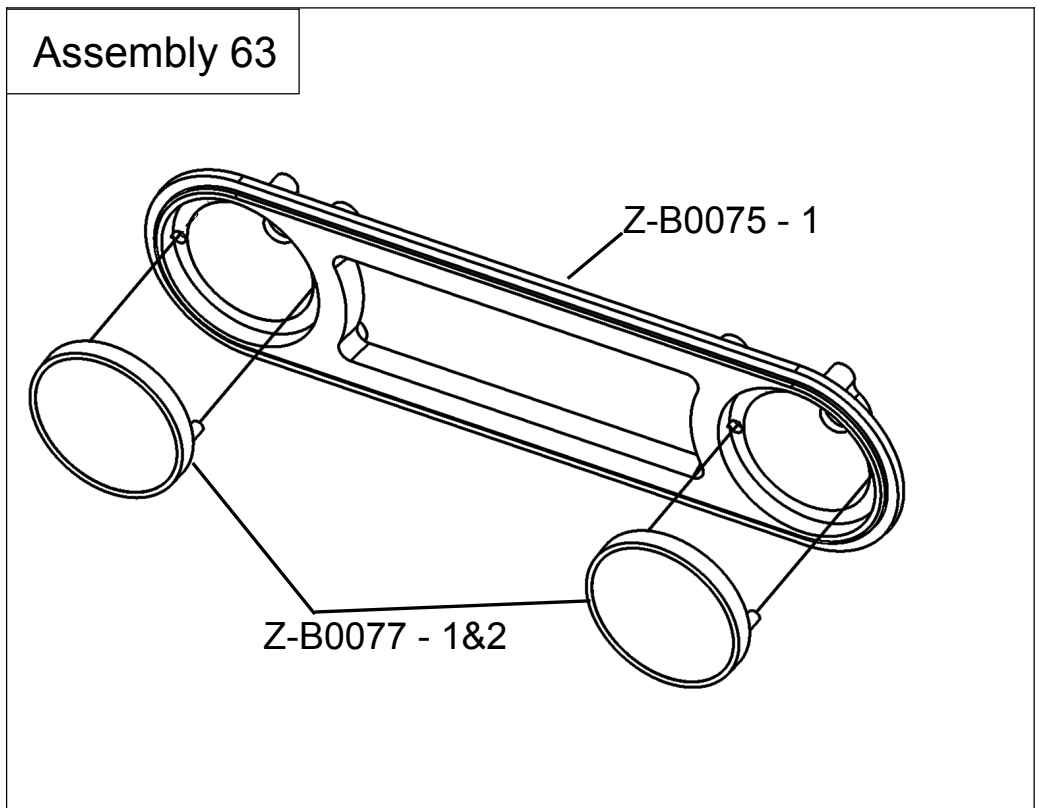
Note: Use Heavy Duty Nylon for Strap Lock to secure the battery.



Assembly 63



Plastic
Cement/Glue



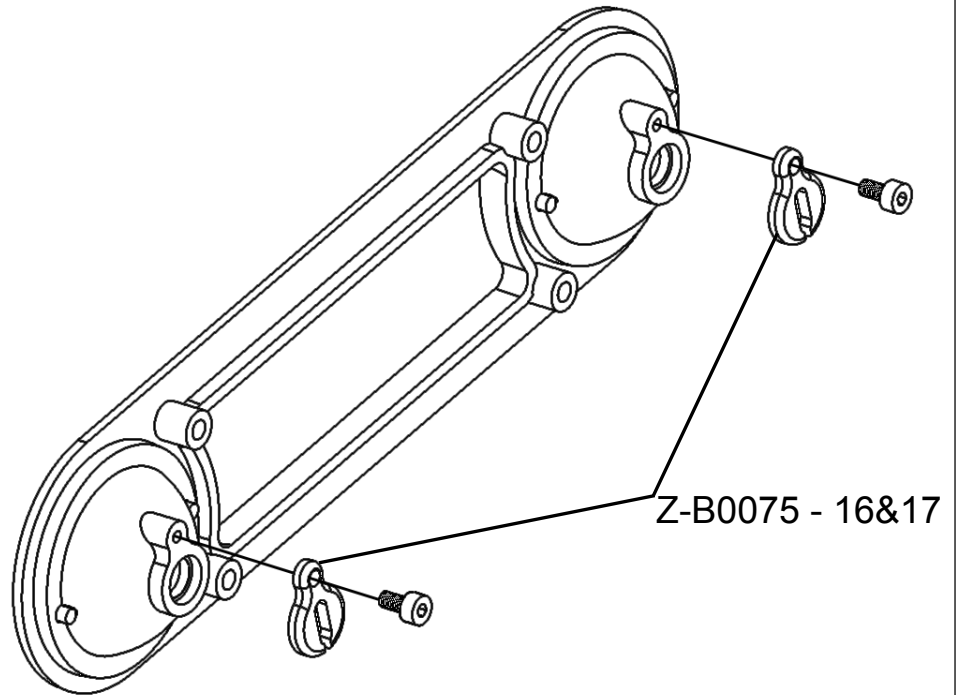


Z-S1253

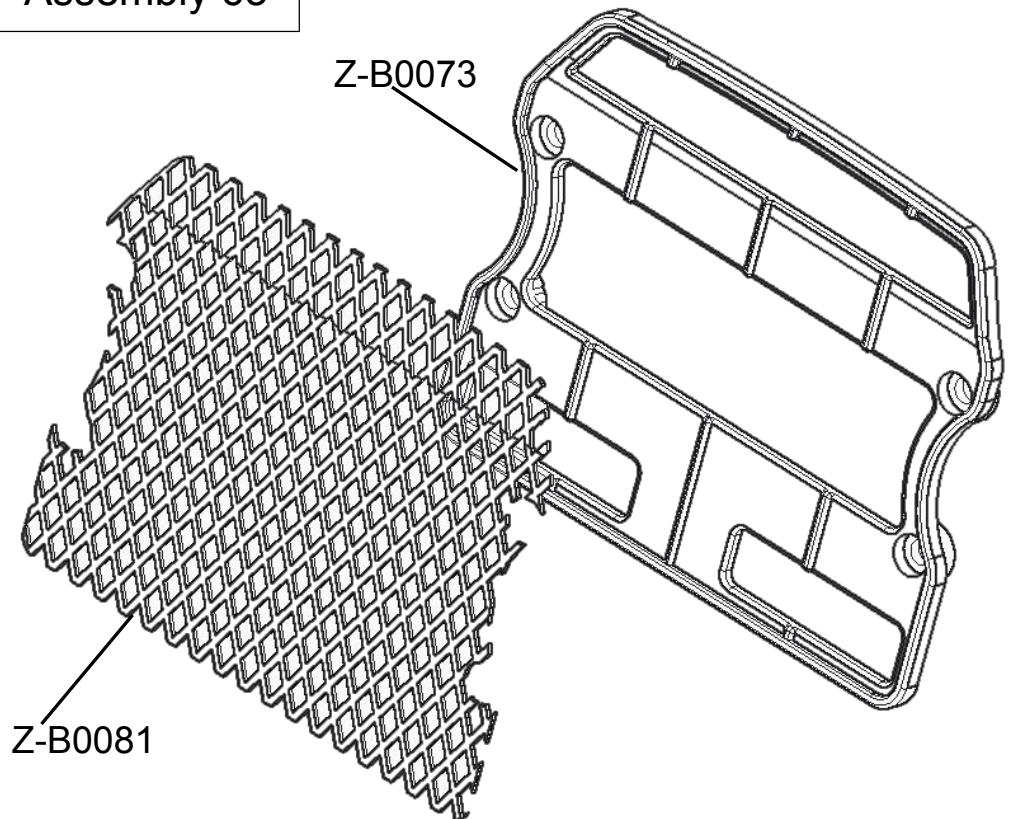


M1.6x5

Assembly 64



Assembly 65



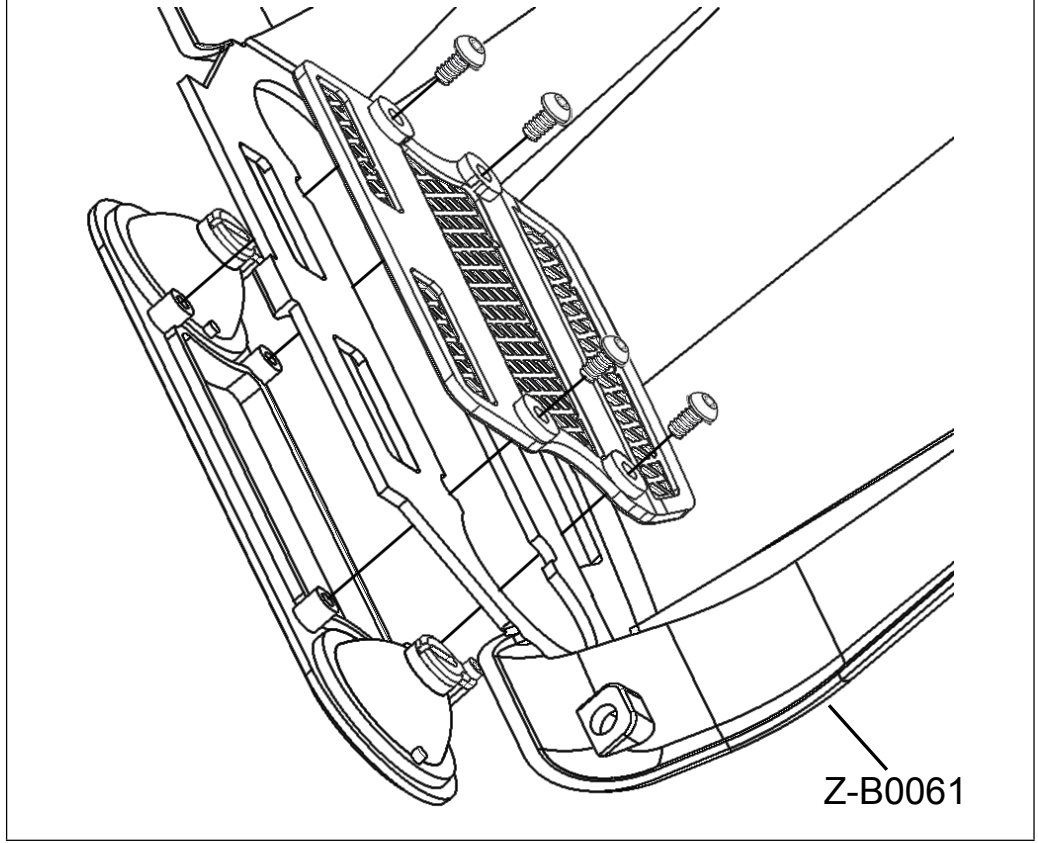


Z-S0651

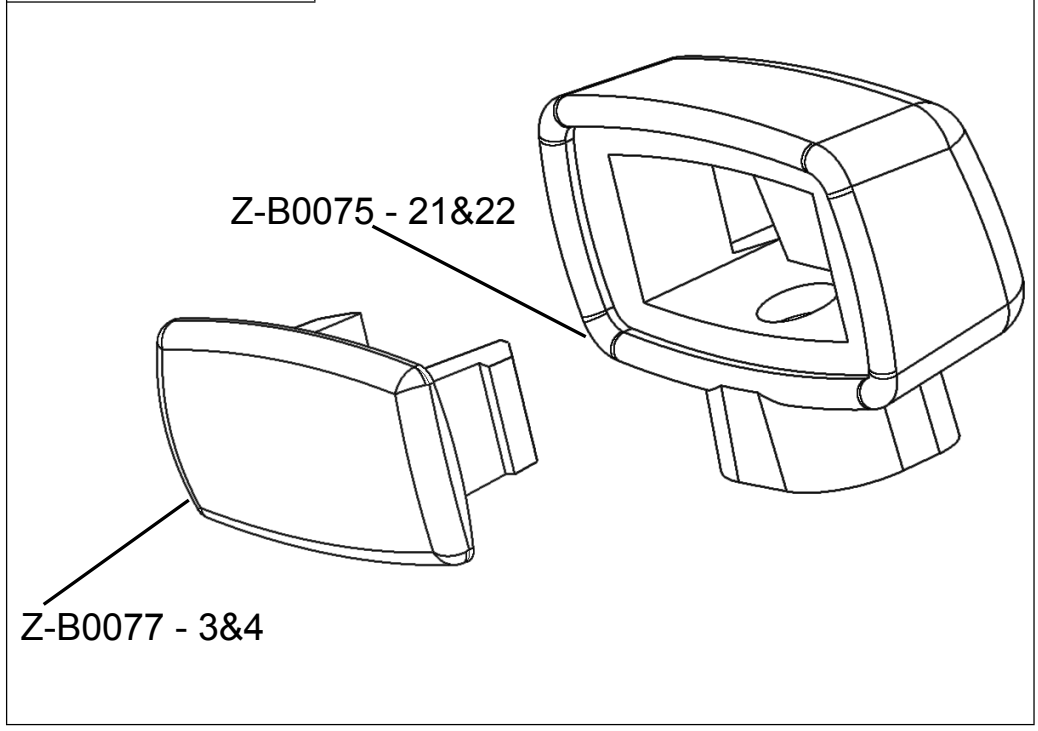


M3x6

Assembly 66



Assembly 67



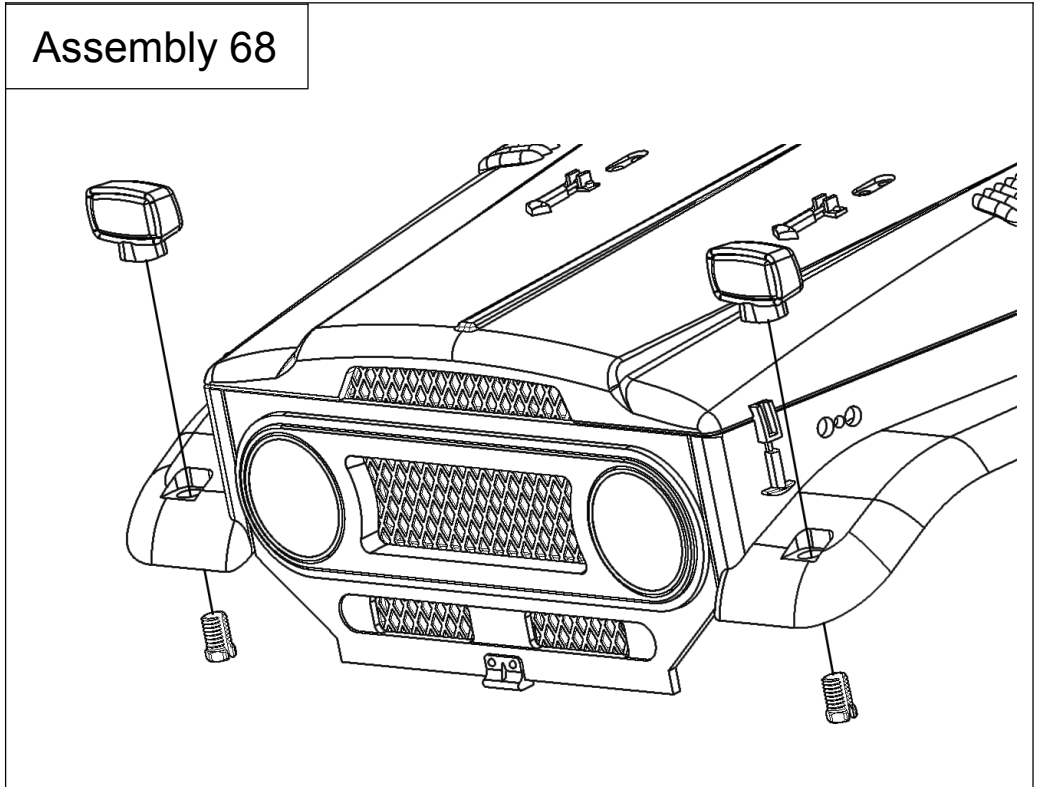


Assembly 68

Z-B0083



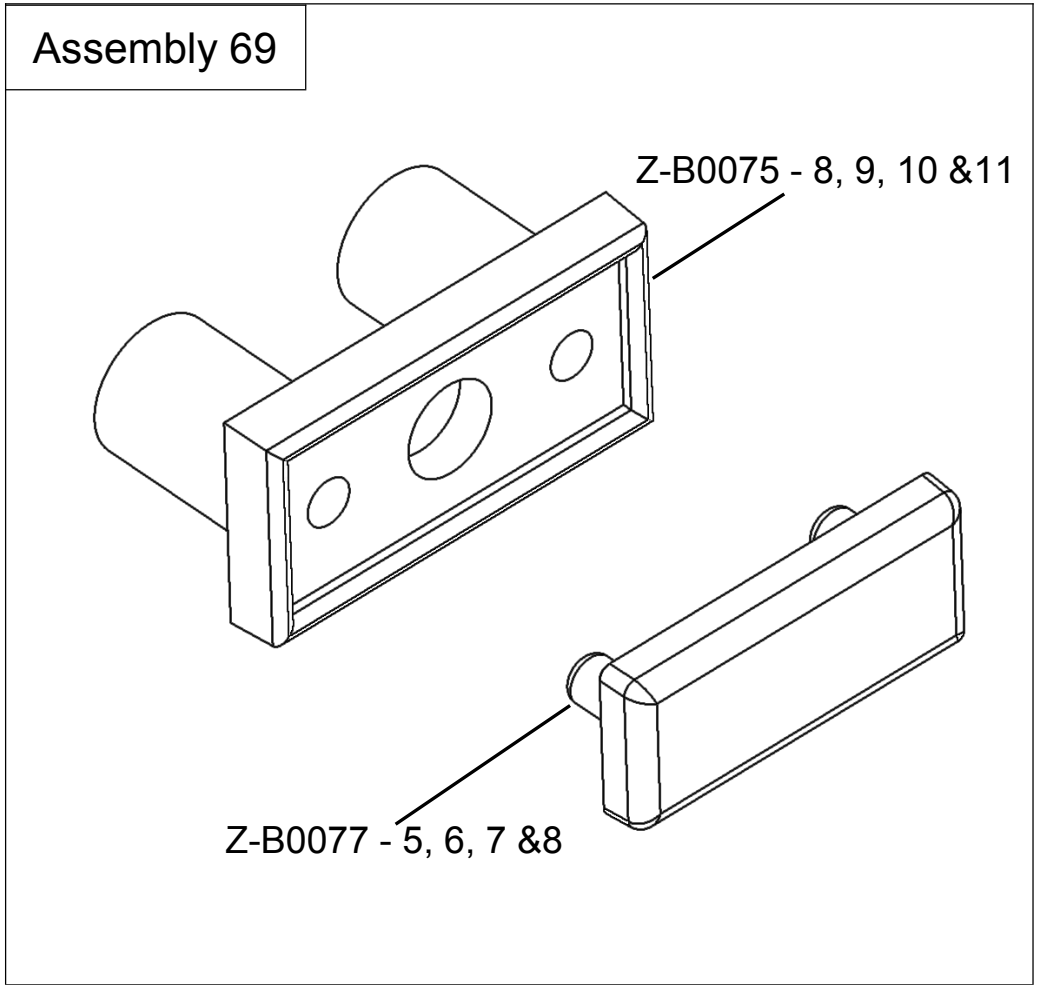
M5x5



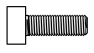
Plastic Cement/Glue

Assembly 69

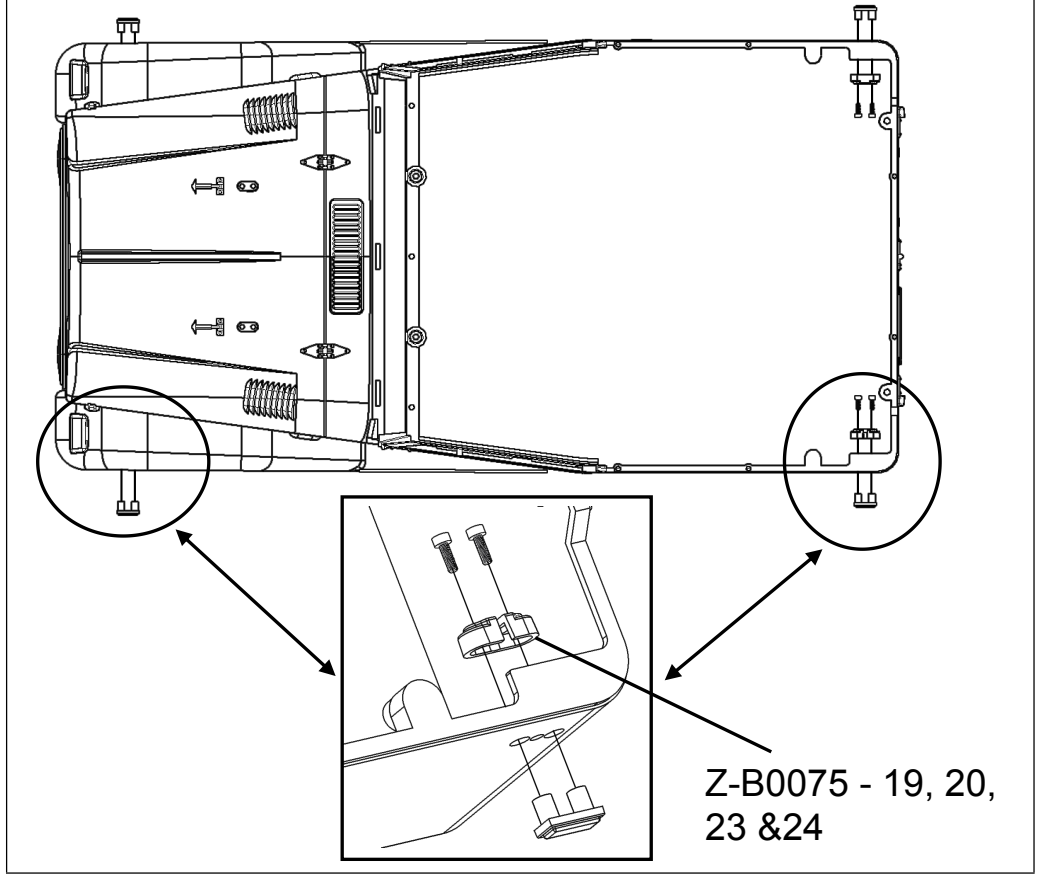
Plastic
Cement/Glue





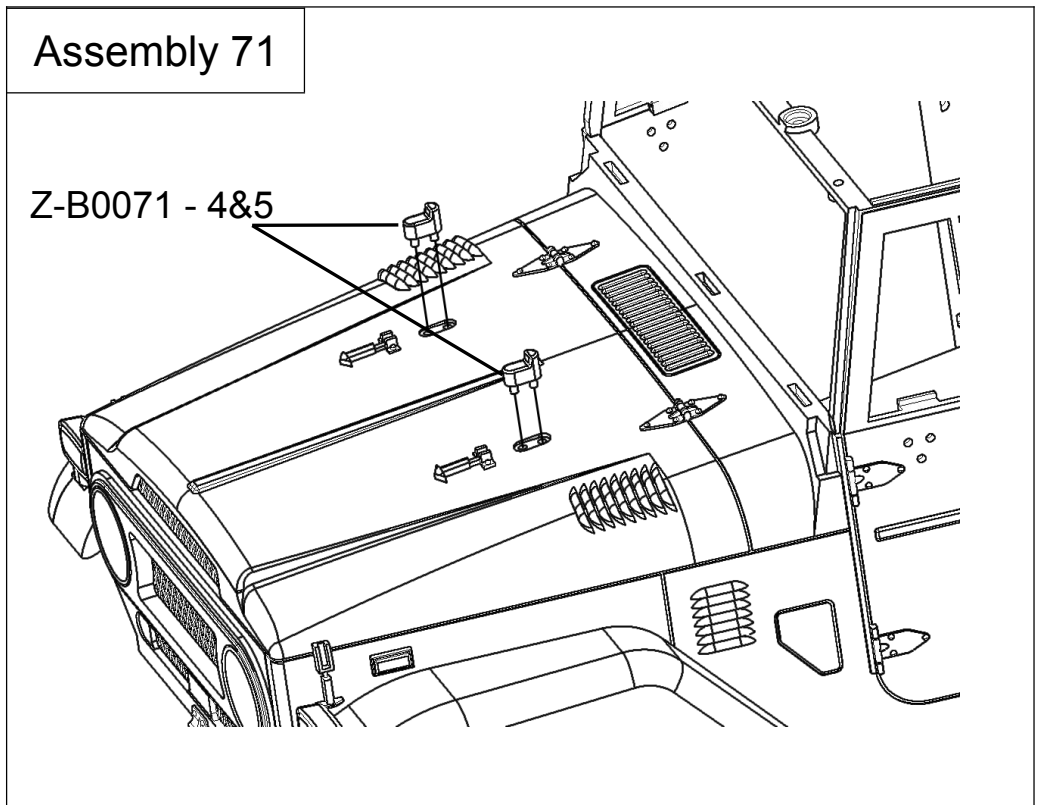
Z-S1253 
M1.6x5

Assembly 70



Plastic
Cement/Glue

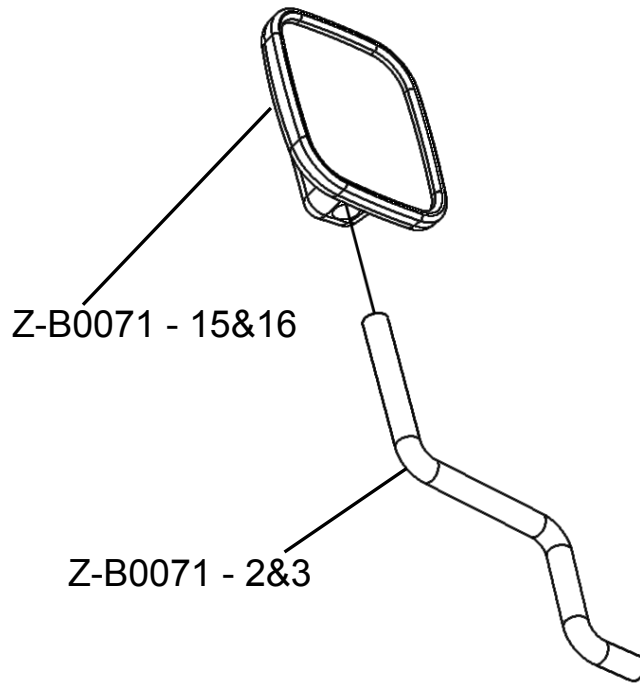
Assembly 71





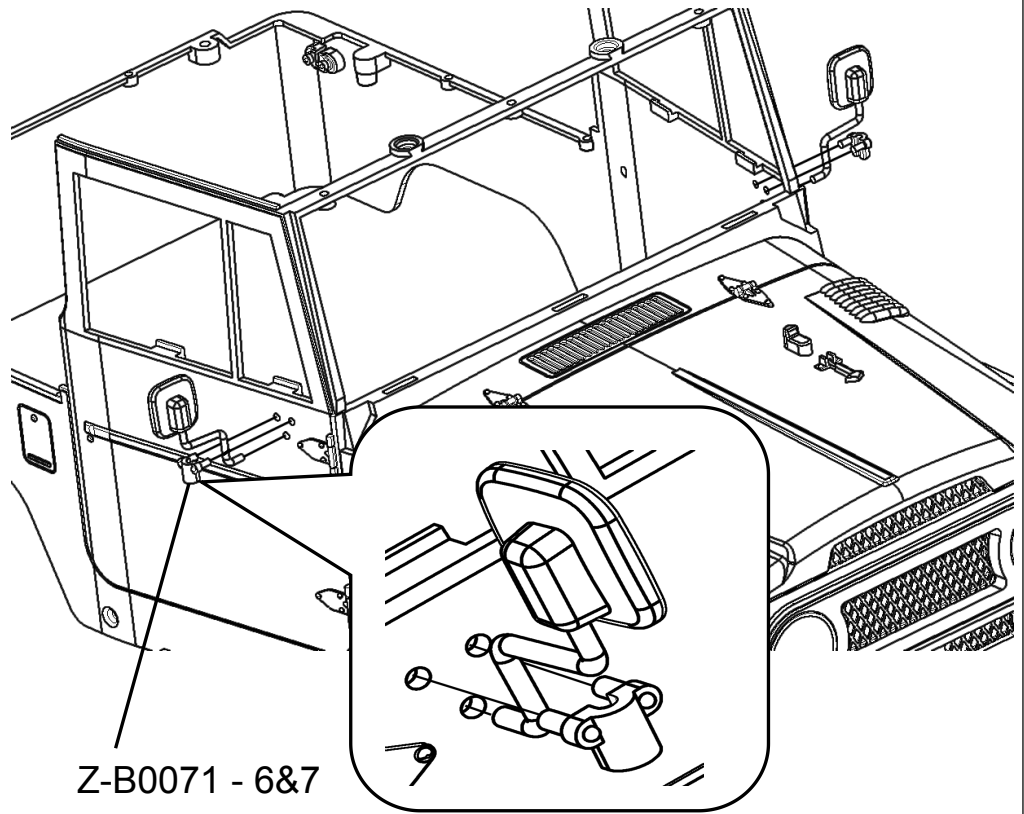
Plastic
Cement/Glue

Assembly 72



Plastic
Cement/Glue

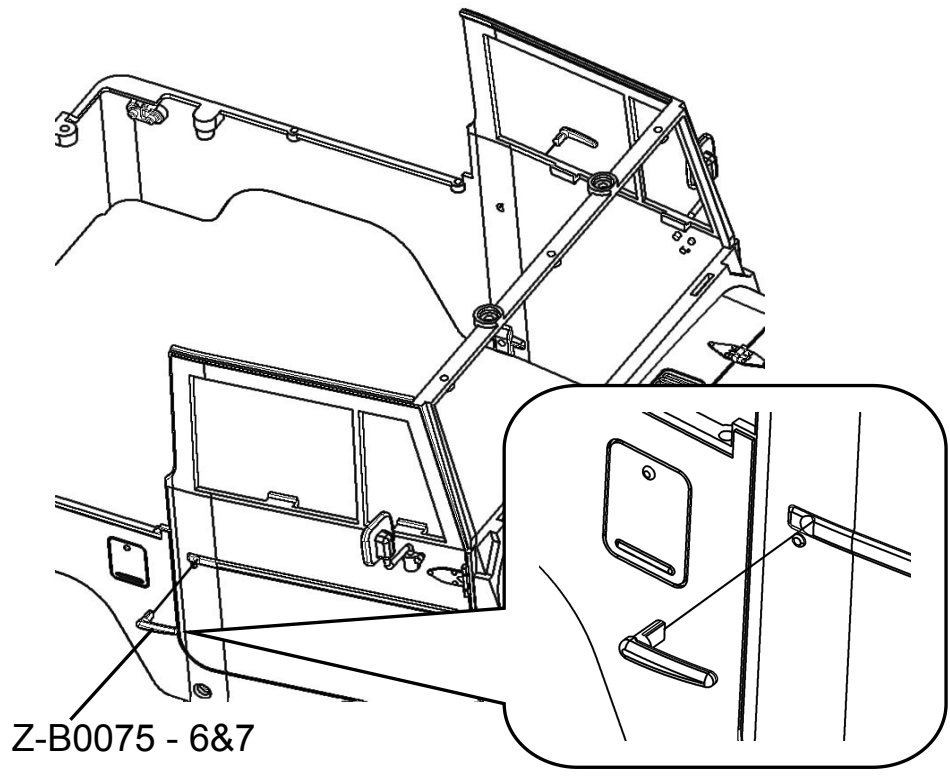
Assembly 73





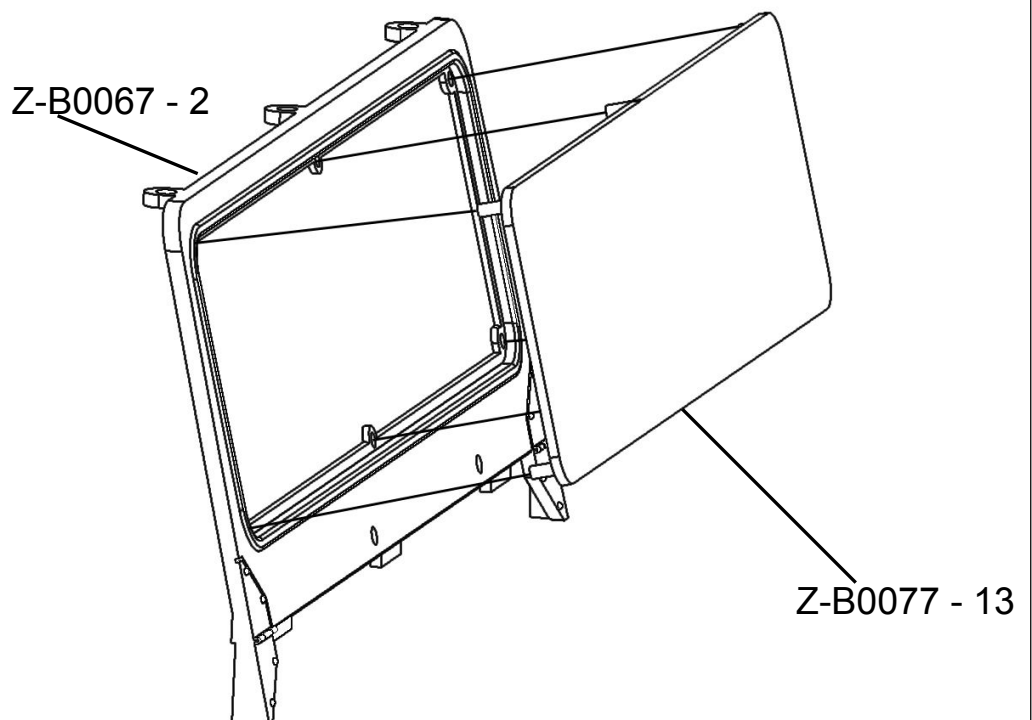
Plastic
Cement/Glue

Assembly 74



Plastic
Cement/Glue

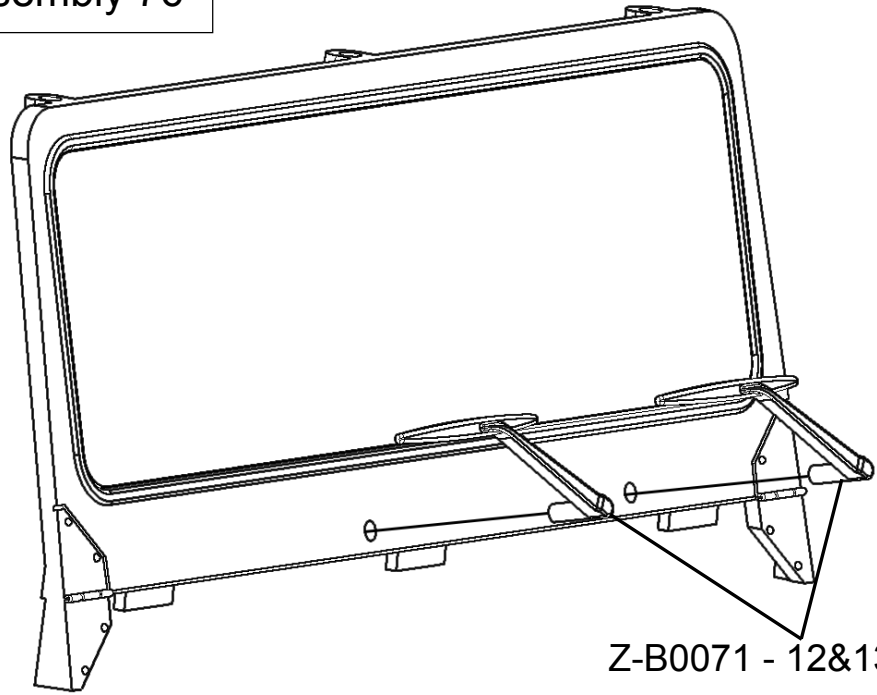
Assembly 75






Plastic
Cement/Glue

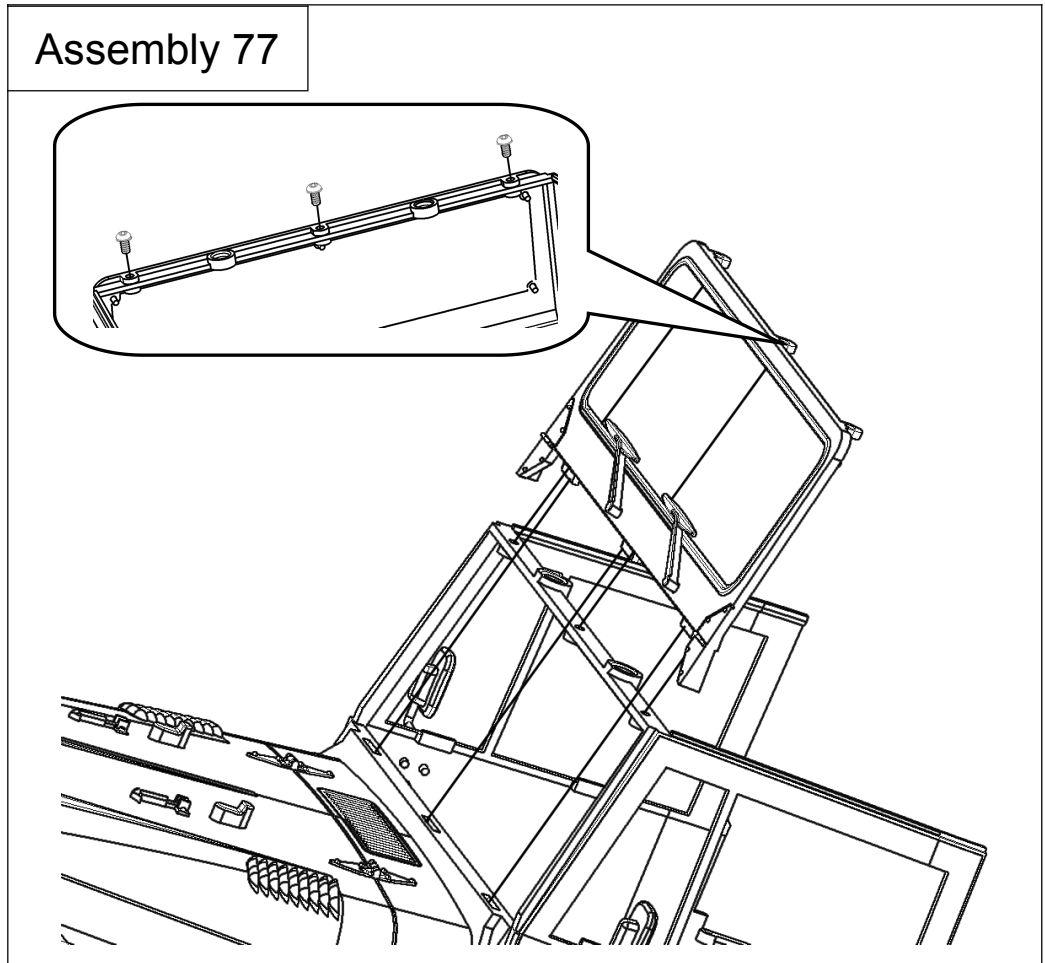
Assembly 76




Z-B0071 - 12&13

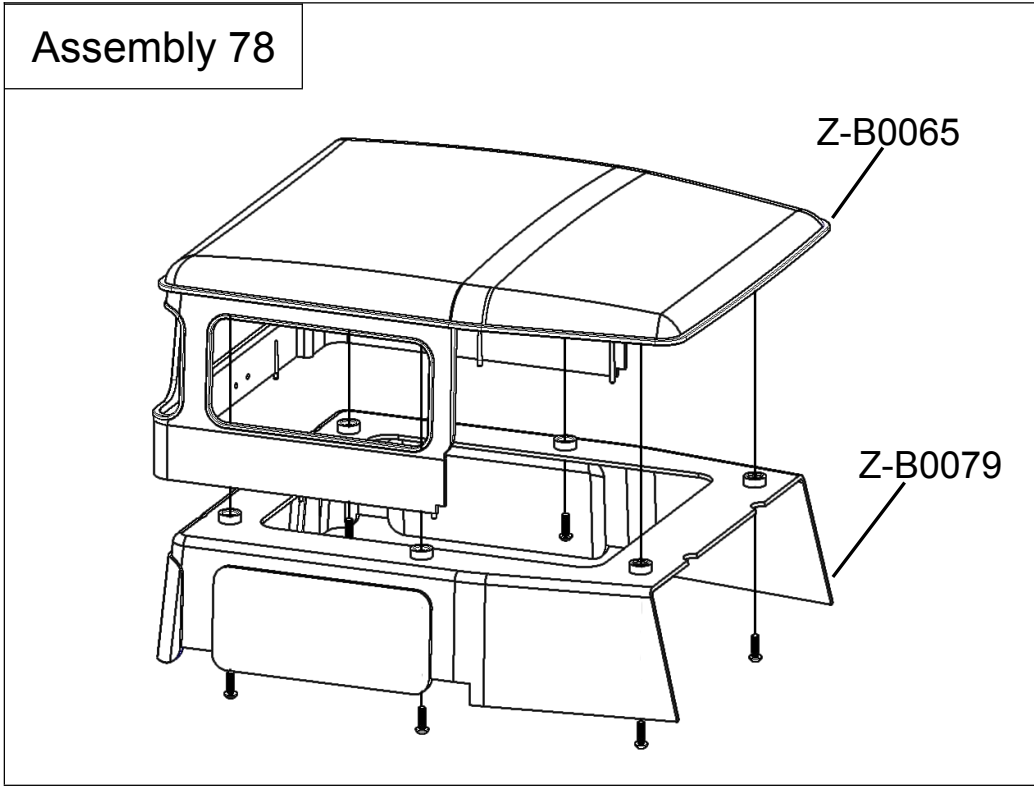
Z-S0651 
M2.5x6

Assembly 77

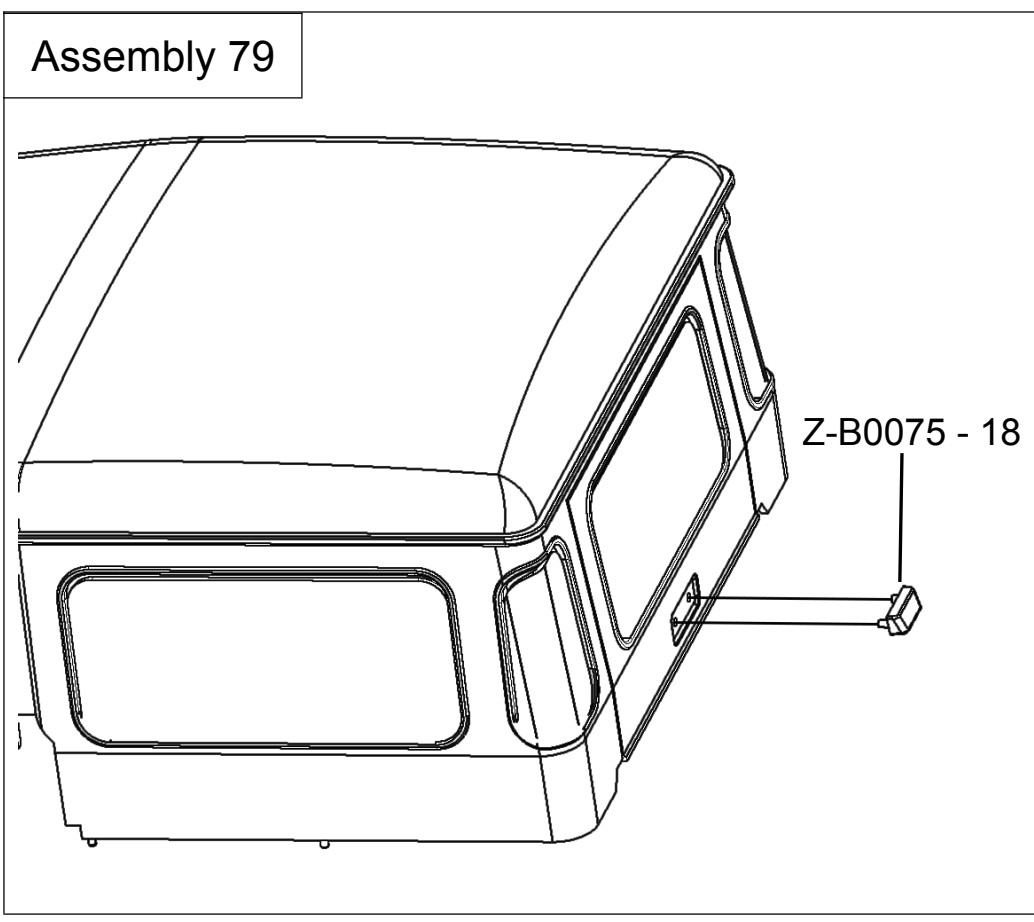




Z-S0653 
M3x10

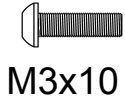


Plastic
Cement/Glue



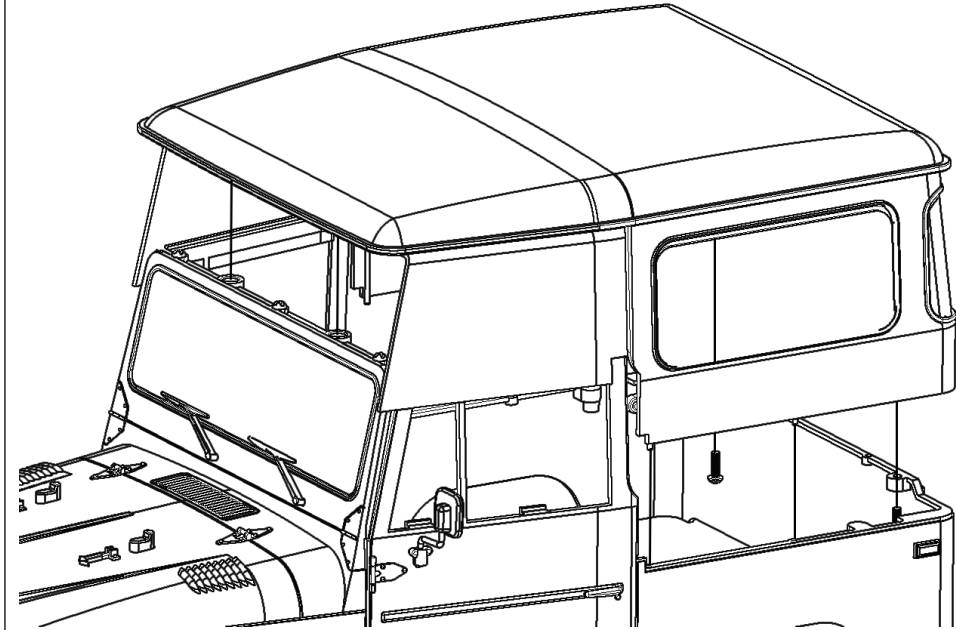


Z-S0653



M3x10

Assembly 80

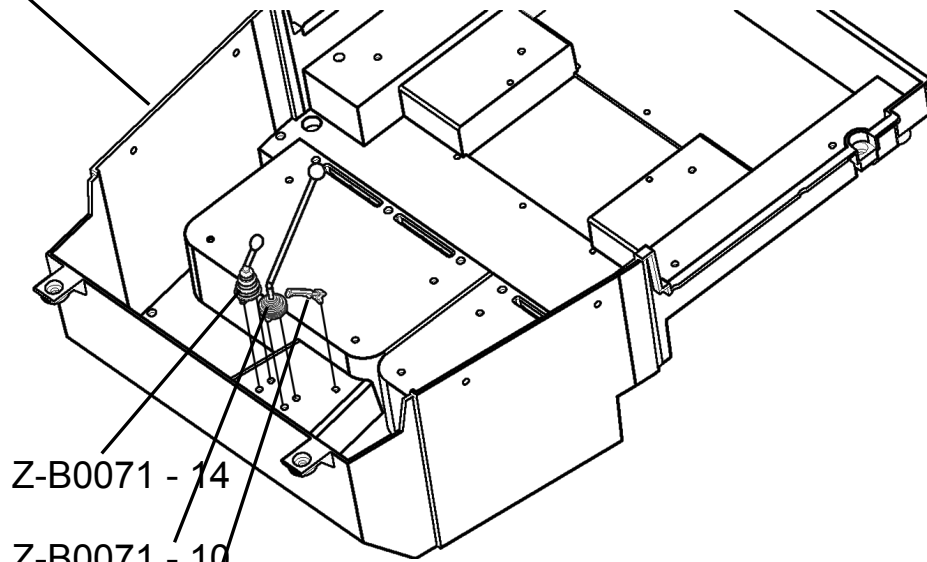


Plastic Cement/Glue

Plastic
Cement/Glue

Assembly 81

Z-B0063



Z-B0071 - 14

Z-B0071 - 10

Z-B0071 - 11

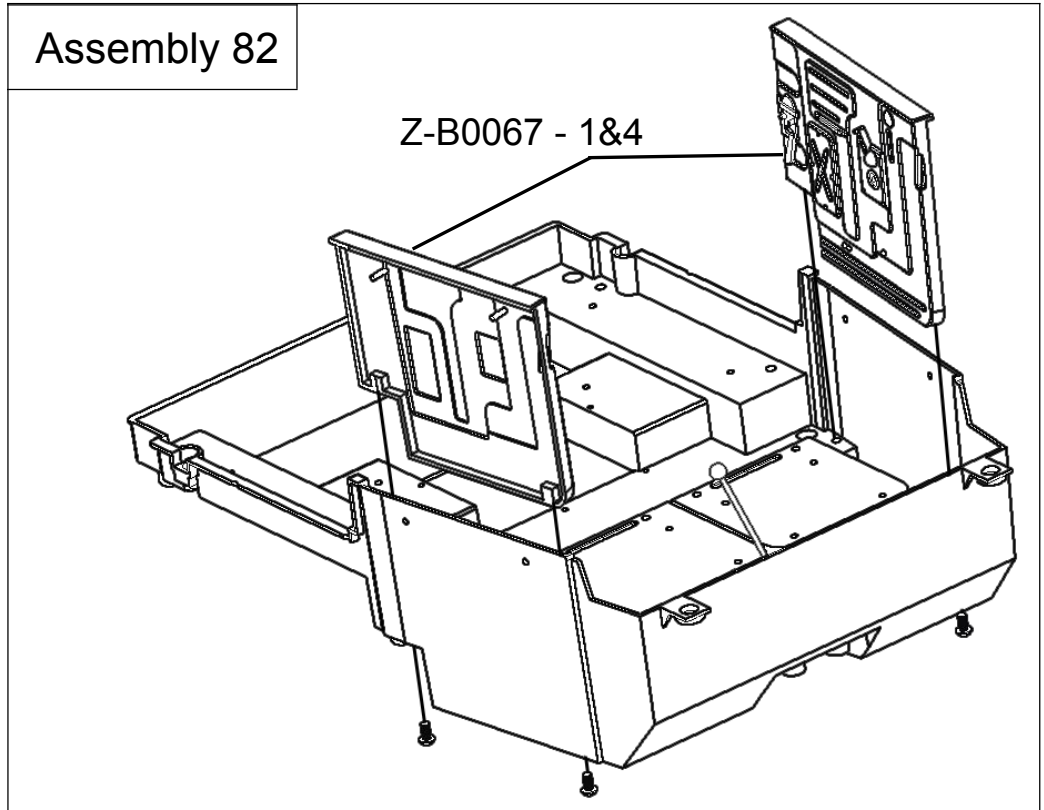


Z-S0764



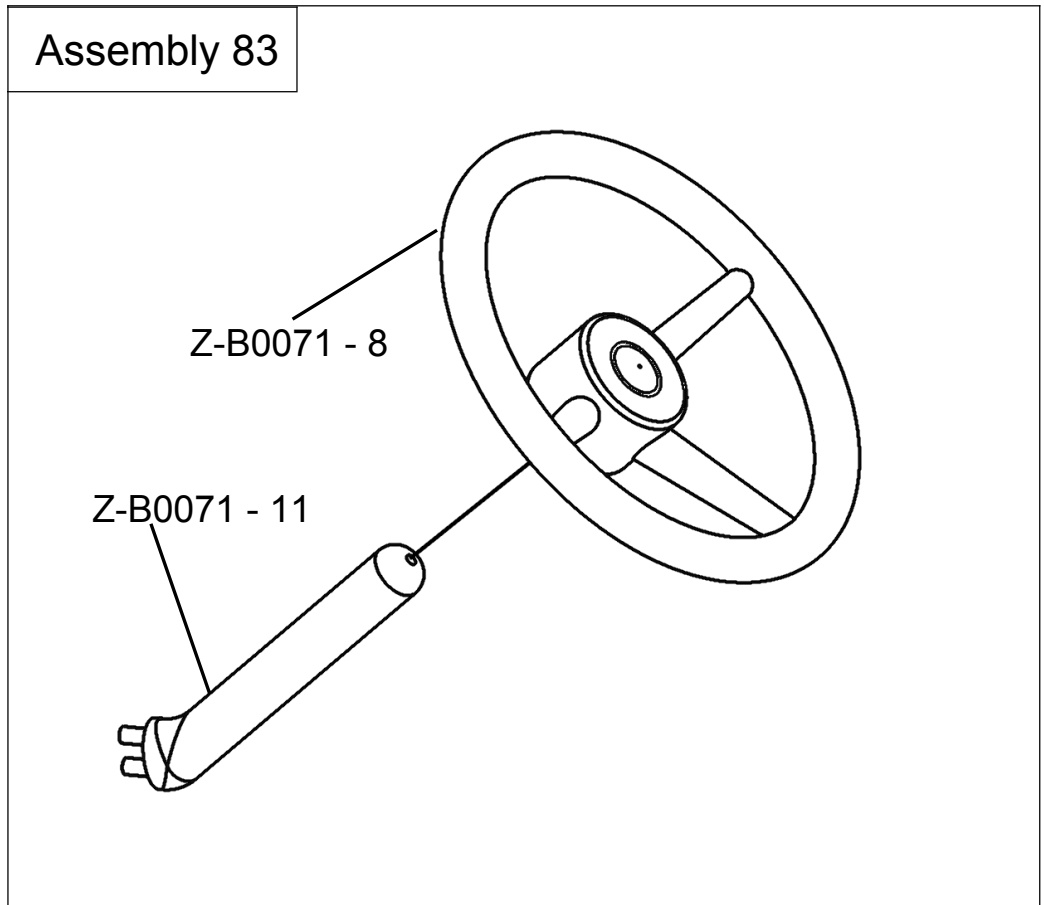
M2.5x6

Assembly 82



Plastic
Cement/Glue

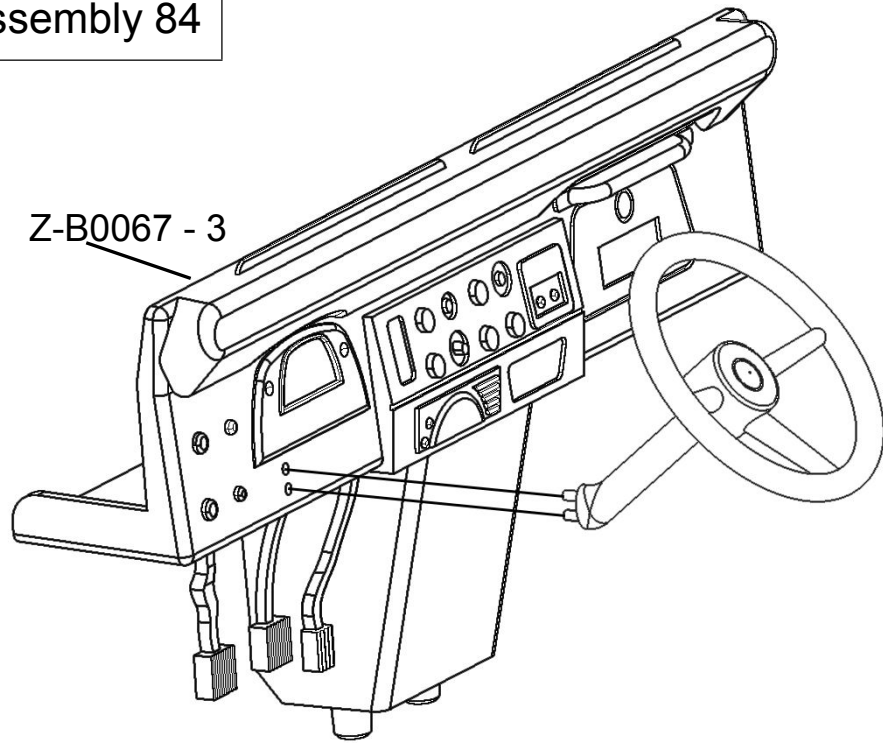
Assembly 83





Plastic
Cement/Glue

Assembly 84

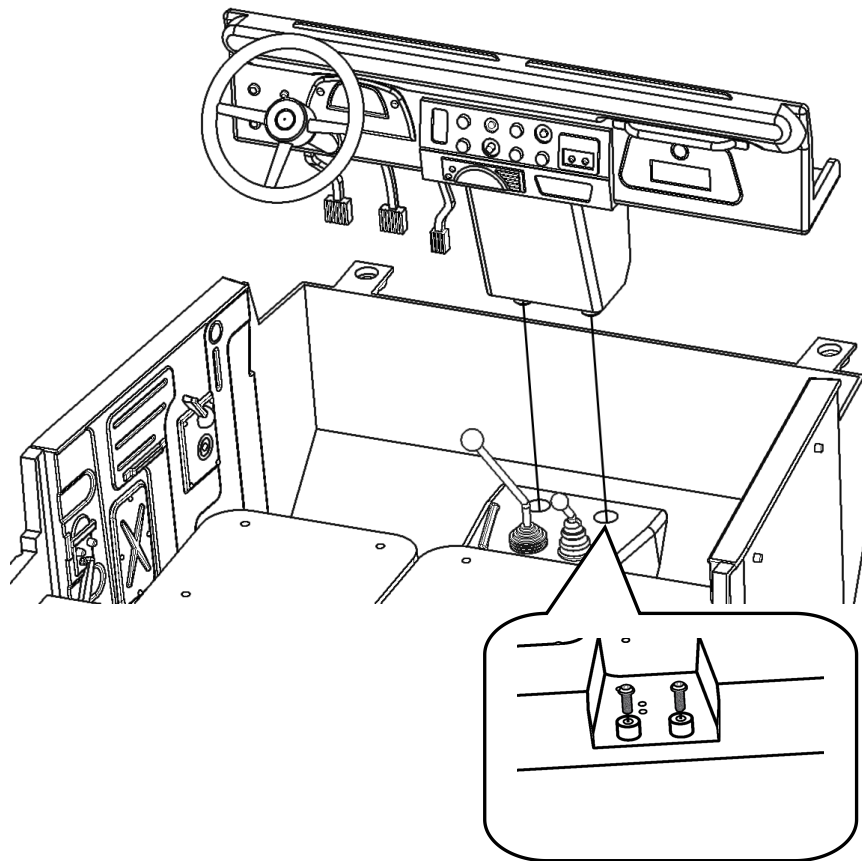


Z-S0653



M3x10

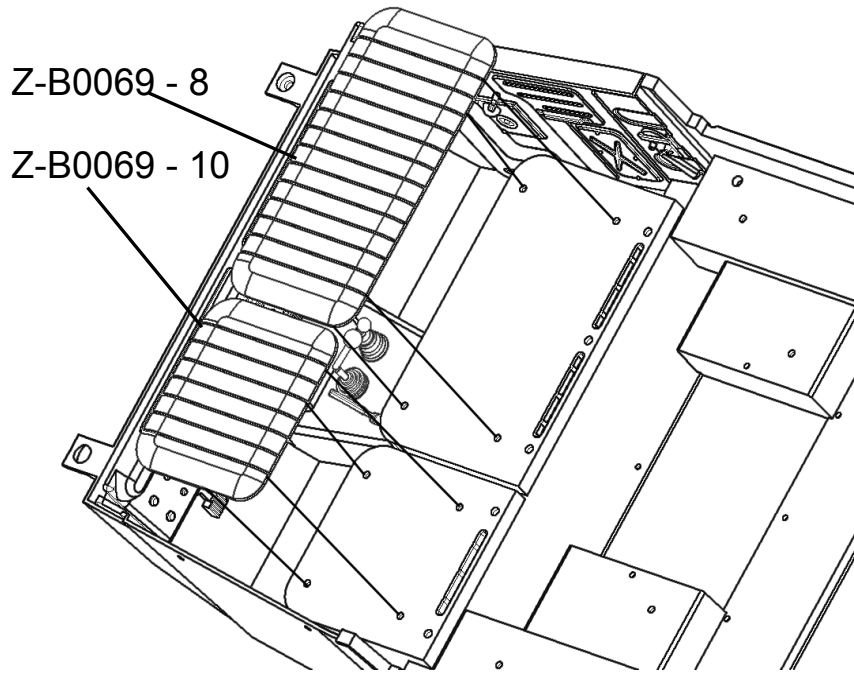
Assembly 85



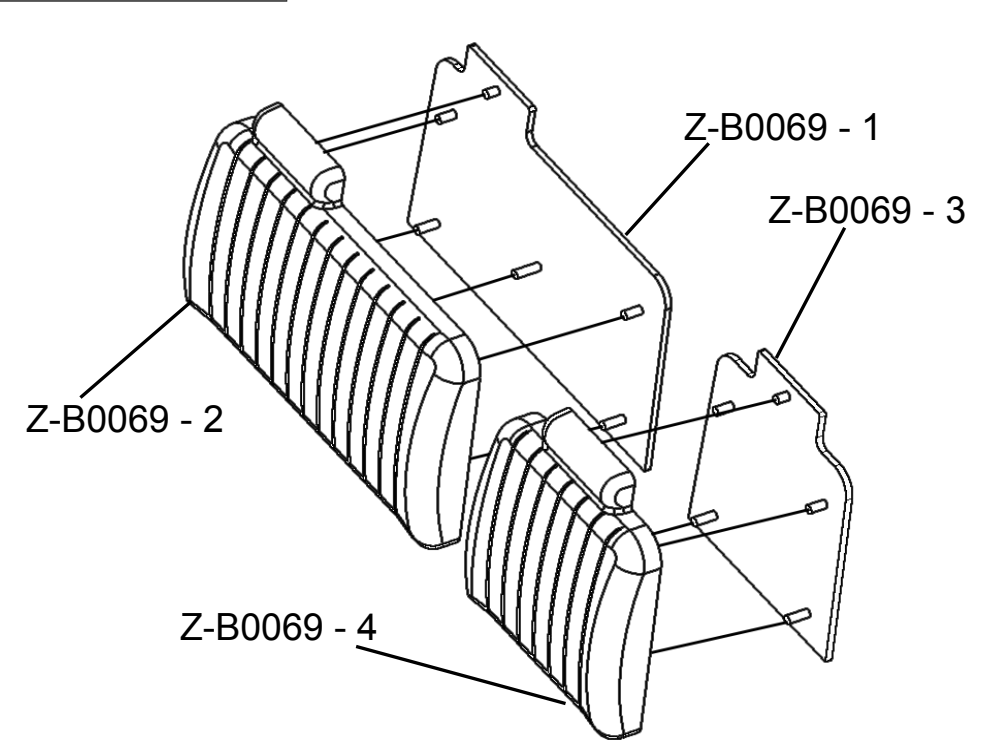


Plastic
Cement/Glue

Assembly 86



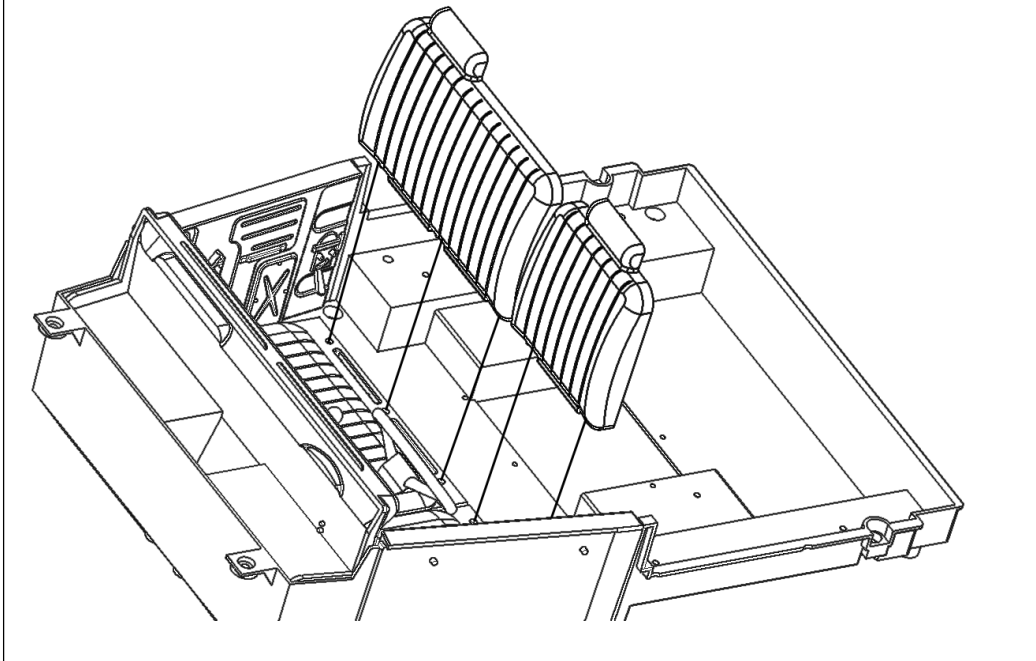
Assembly 87





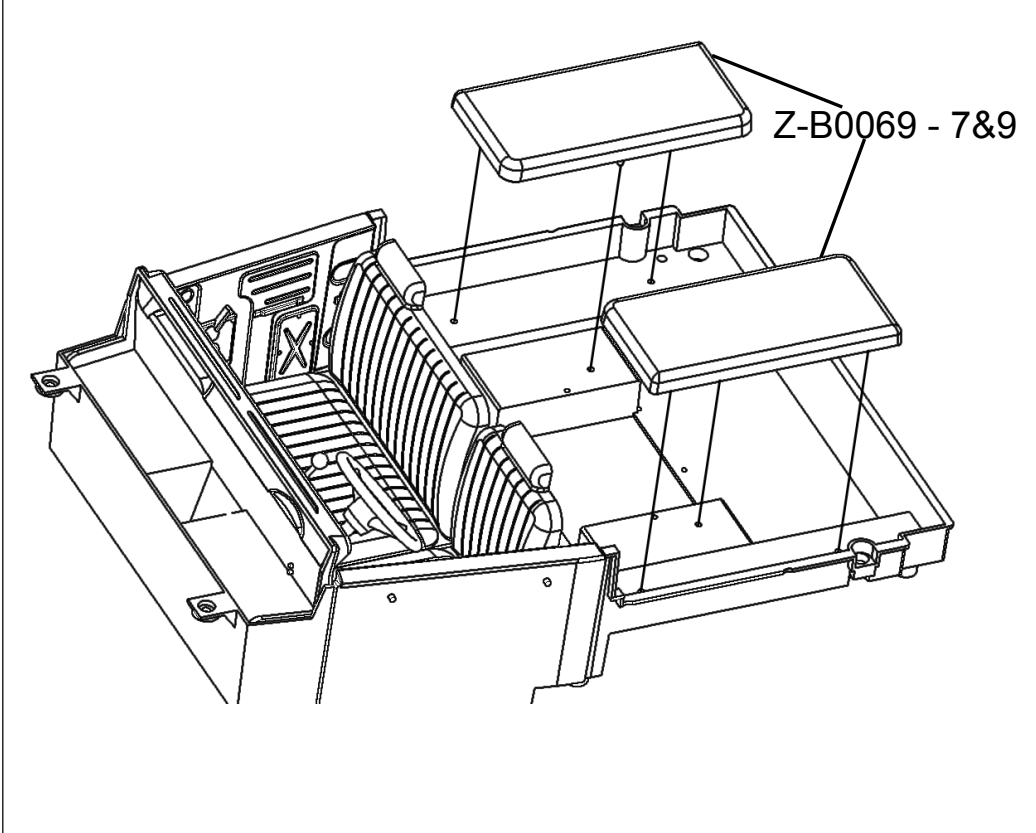
Plastic
Cement/Glue

Assembly 88



Plastic
Cement/Glue

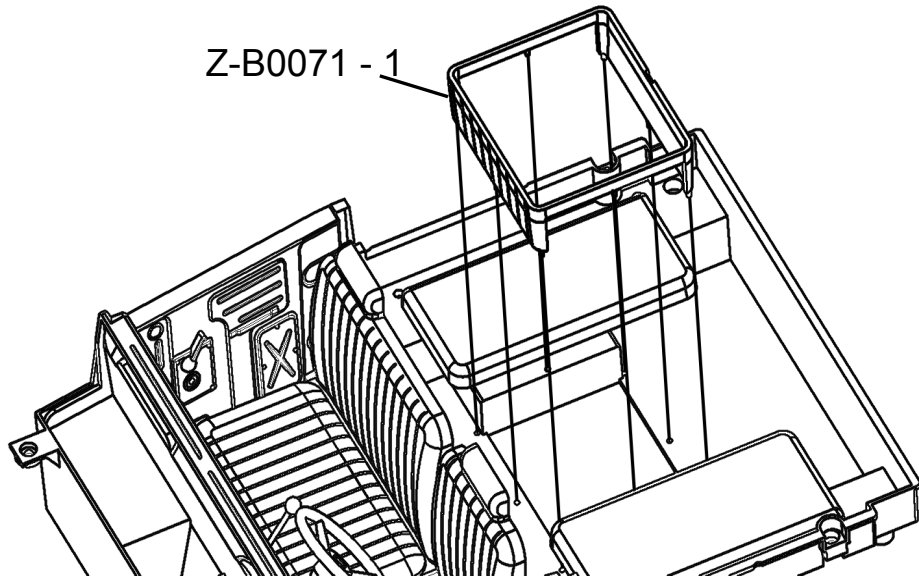
Assembly 89





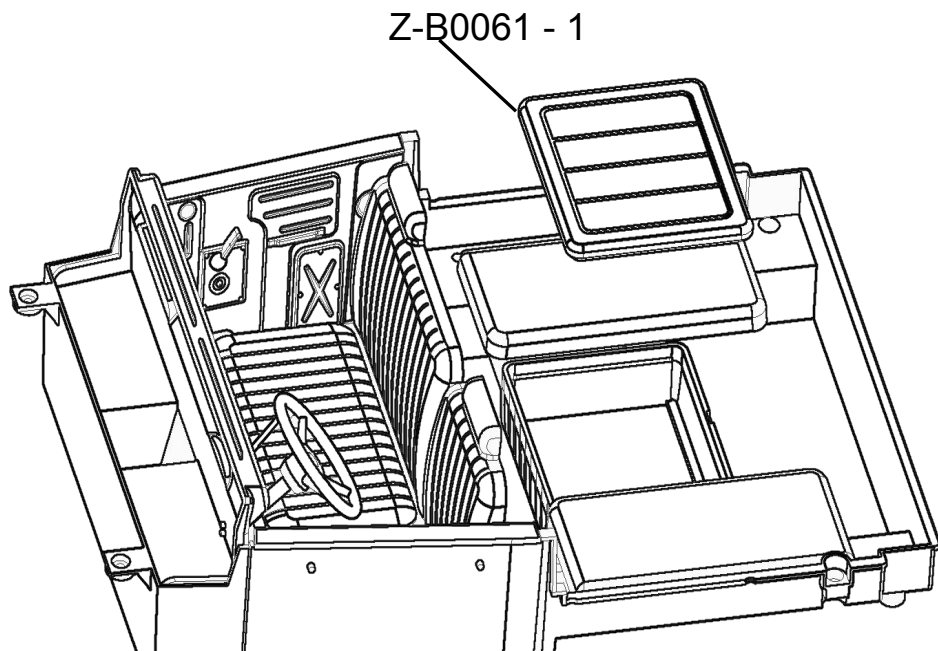
Plastic
Cement/Glue

Assembly 90



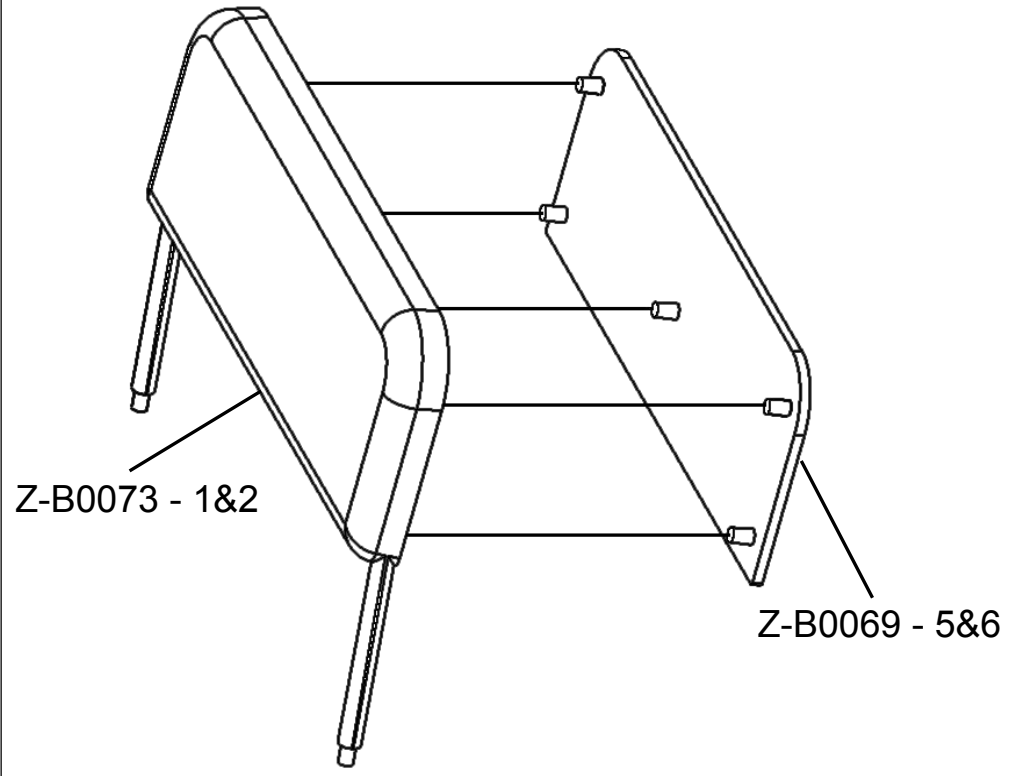
Plastic
Cement/Glue

Assembly 91



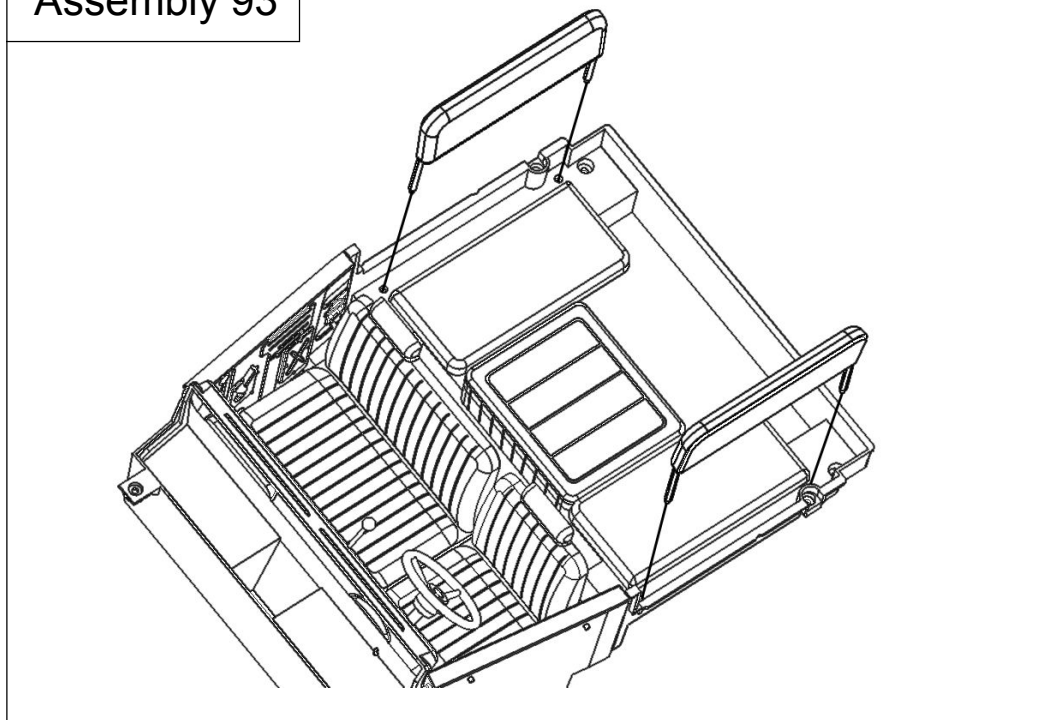


Assembly 92



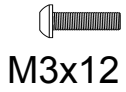
Plastic
Cement/Glue

Assembly 93



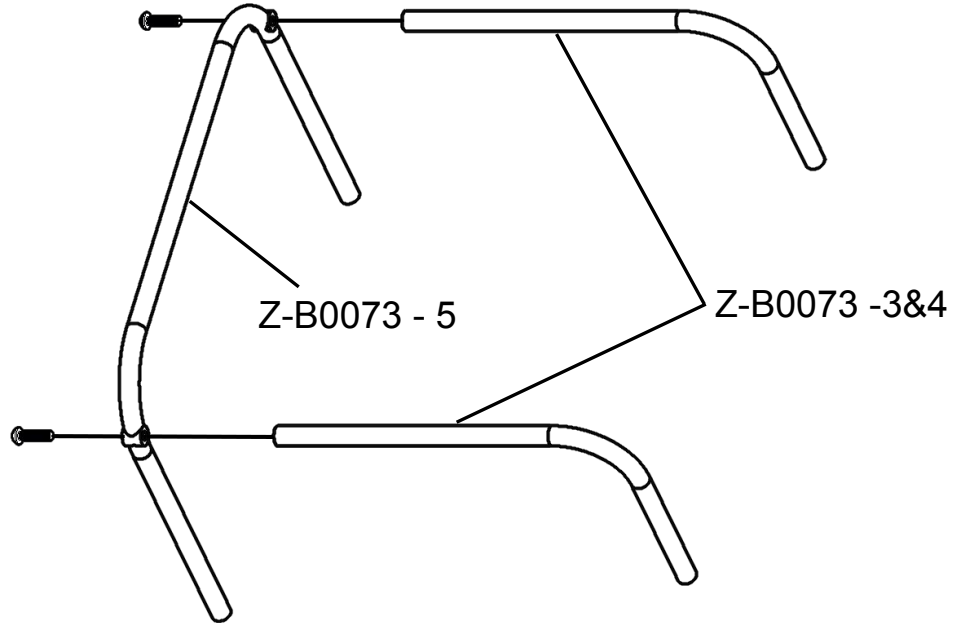


Z-S0654

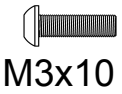


M3x12

Assembly 94

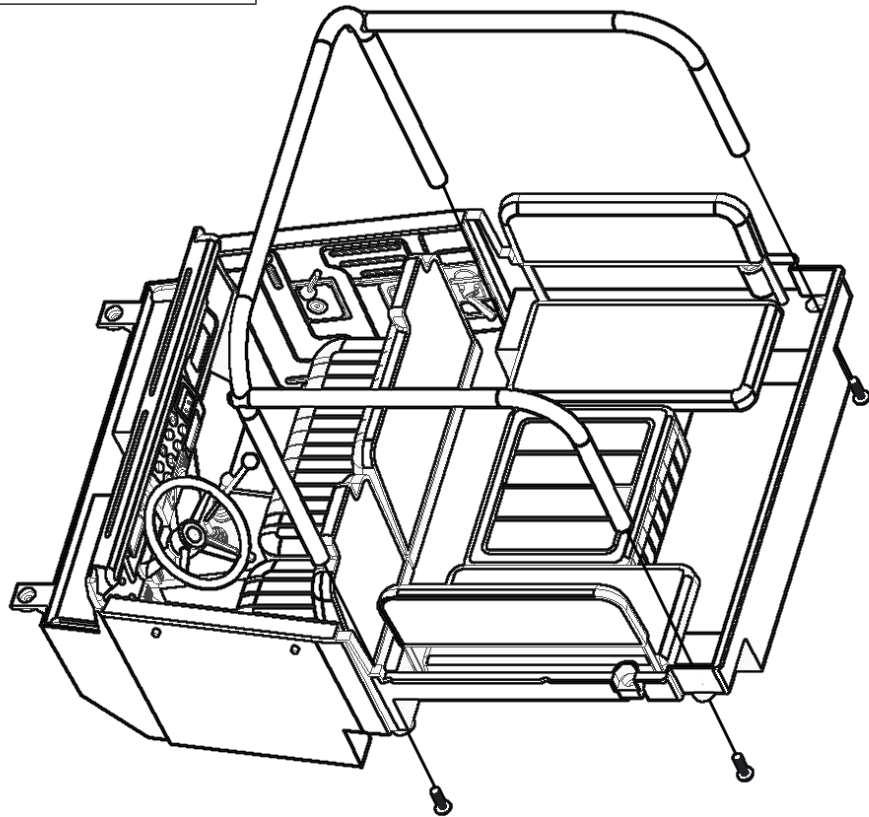


Z-S0653




M3x10

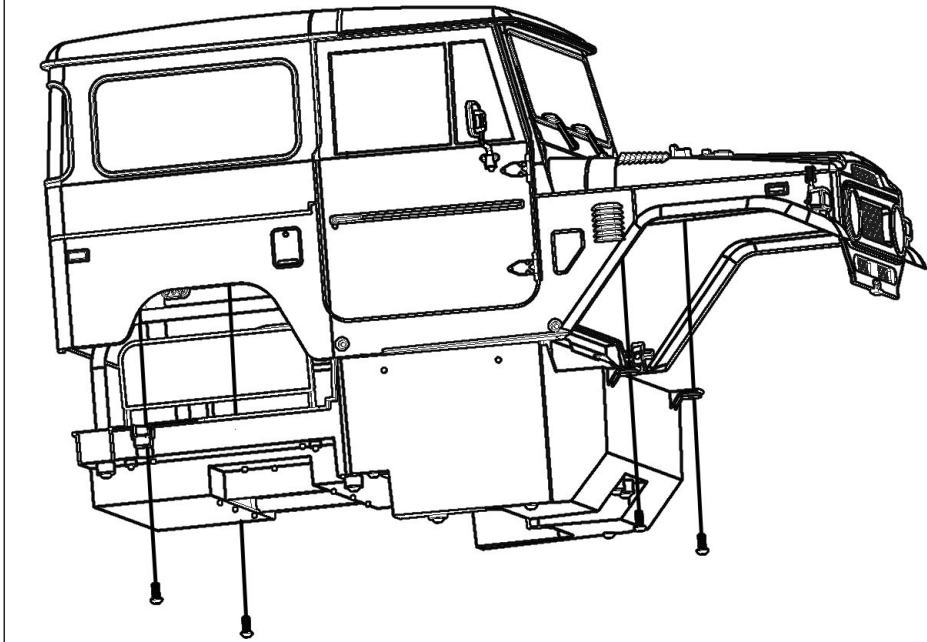
Assembly 95






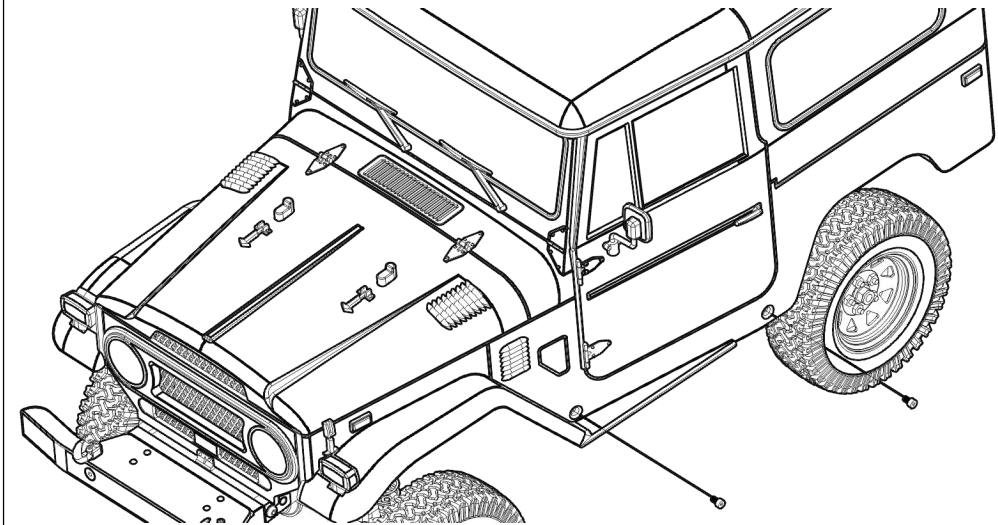
Z-S0652 
M3x8

Assembly 96



Z-S0593 
M2.5x6

Assembly 97





Spare Parts

- Z-A0080 Yota2 Front Axle
- Z-A0081 Yota2 Rear Axle
- Z-S0792 G2 Battery Deck
- Z-S0793 G2 Electronics Deck
- Z-S0794 G2 Front 3 Link + Panhard Mount
- Z-S0795 G2 Rear 4 Link Mount
- Z-C0040 G2 Chassis Set
- Z-U0027 G2 Tcase Mount
- Z-S0798 G2 Front Shock Hoops
- Z-S0799 G2 Rear Shock Hoops
- Z-S1706 Cruiser Body Conversation Kit for D90
- Z-S0802 R3 Single Speed Mounts
- Z-U0028 R3 Single Speed Transmission
- Z-S0803 G2 Metal Drive Coupling
- Z-S0804 M3 Drive Shaft Pin
- Z-S0809 1mm Spacer (Black)
- Z-S0806 3mm Spacer (Black)
- Z-S0821 5mm Spacer (Black)
- Z-D0039 80mm Dual Rate Shocks V2 (Black)
- Z-S0807 G2 59mm Link
- Z-S0817 G2 65.3mm Link
- Z-S0805 G2 73mm Link
- Z-S0819 G2 70mm Link
- Z-S0810 G2 Drag Link
- Z-W0129 5 Lug Wagon 1.9 Steel Stamped Beadlock Wheels (Black)
- Z-T0005 Dirt Grabber 1.9" All Terrain Tires
- Z-S0592 Trail Finder 2 Fuel Cell Radio Box
- Z-S0583 Scale Nylon Short Punisher Shaft (89mm-120mm)
- Z-S0399 M3 Medium Straight Plastic Rod End
- Z-S0402 M3 Short Bent Plastic Rod End
- Z-S0398 M3 Mini Plastic Rod End
- Z-S0401 M3 Offset Short Plastic Rod End
- Z-U0024 Hammer Transfer Case
- Z-E0004 RC4WD 540 Crawler Brushed Motor
- Z-E0007 Outcry Crawler Single Motor Electronic Speed Controller (ESC)
- Z-E0035 Twister High Torque Metal Gear Digital Servo
- Z-R0009 RC4WD XR3 3-Channel 2.4Ghz Transmission & Receiver Radio



Recommended Equipment

- Z-E0063 Twister Ultimate High Performance Waterproof Servo
- Z-R0006 RC4WD XR4 4-Channel 2.4Ghz Transmitter/Receiver Radio
- Z-S0182 Heavy Duty Metal Servo Arm for Futaba Type Servo (Black)
- Z-E0068 RC4WD Outcry Crawler Water-Resistant Brushed Speed Controller ESC Unit

Optional Parts

- VVV-C0128 Complete Metal Emblems Set for RC4WD Cruiser Body
- VVV-C0126 Front Metal Emblems for RC4WD Cruiser Body
- VVV-C0129 Metal Side Diamond (A) Plates for RC4WD Cruiser Body (Black)
- VVV-C0134 Metal Side Diamond (A) Plates for RC4WD Cruiser Body (Silver)
- VVV-C0173 Metal Tire Holder RC4WD G2 Cruiser/FJ40
- Z-S1714 Cruiser Body Emblem Set
- Z-W0240 Deceptive 1.9" Beadlock Wheels
- Z-W0183 Hazard 1.9" Beadlock Wheels
- Z-T0143 RC4WD Falken WildPeak A/T 1.7" Scale Tires
- Z-T0144 Scrambler Offroad 1.9" Scale Tires
- Z-B0068 Inner Fender Set for Cruiser Body
- Z-E0071 LED Basic Lighting System For Cruiser Body Set
- Z-E0076 RC4WD 1/10 Baja Designs S8 LED Light Bar (120mm)
- Z-E0054 RC4WD KC HiLiTES 1/10 Series High Performance LED Light Bar (40mm/1.5")
- Z-E0075 RC4WD 1/10 Warn 8274 Winch
- Z-S1079 RC4WD 1/10 Warn 9.5cti Winch
- Z-X0024 RC4WD ARB 1/10 Roof Rack
- Z-X0028 RC4WD ARB Bull Bar Front Bumper for G2 Cruiser
- Z-S1605 RC4WD Ballstic Fabrications Diff Cover for Yota II Axle
- Z-S1681 RC4WD Teraflex Diff Cover for Yota II Axle
- Z-D0012 RC4WD Superlift Superlide 80mm Scale Shock Absorbers
- Z-D0052 RC4WD Rock Krawler RRD Emulsion Scale Dual Spring Shocks (90mm)
- Z-S1554 RC4WD Snorkel for Cruiser Body
- Z-S1539 RC4WD Fender Flare for Rear Cruiser Body
- Z-S1543 RC4WD Tough Armor Side Slider for G2 Cruiser
- Z-S1625 RC4WD Tough Armor Tube Sliders for G2 Cruiser
- Z-X0025 RC4WD Tough Armor Swing Away Tire Carrier w/Fuel Holder for the G2 Cruiser
- Z-X0026 RC4WD Tough Armor Front Tube Bumper for G2 Cruiser
- Z-S1054 Scale Steel Punisher Shaft (77mm - 100mm) / 3.03"-3.94"



www.rc4wd.com



RC4WD

**618 Blossom Hill Rd. Ste 201
San Jose, CA 95123**

Web: www.RC4WD.com - Email: support@rc4wd.com

100-0009