

Parts shown in bold are optional accessories. Part categories and individual part listings are arranged alphabetically. Prices are shown in US Dollars.

Bearings & Bushings

- 5106A Ball bearing, black rubber sealed (15x24x5mm) (2)
- 5107A Ball bearing, black rubber sealed (17x26x5mm) (2)
- 5182A Ball bearing, black rubber sealed (20x27x4mm) (2)
- 5106 Ball bearing, blue rubber sealed (15x24x5mm) (2)
- 5119 Ball bearings, blue rubber sealed (10x15x4mm) (2)
- 5120 Ball bearings, blue rubber sealed (12x18x4mm) (2)
- 5116 Ball bearings, blue rubber sealed (5x11x4mm) (2)
- 5180 Ball bearings, blue rubber sealed (6x13x5mm) (2)

Body & Accessories

- 7715 Body mounts, front & rear/3x15mm BCS (1)/ 3x12mm shoulder screw (2)/ 3x8mm flat-head machine screw (6)/ 3x15mm flat-head machine screw (2).....
- 7713 Body support, rear/ 3x15mm CS (2) / 3x15mm flat-head machine (2) (fits X-Maxx).....
- 7711 **Body, X-Maxx (clear, untrimmed, requires painting)/ window masks/ decal sheet**
- 7711X Body, X-Maxx, ProGraphix (graphics are printed, requires paint & final color application)/ decal sheet

Bumpers & Skidplates

- 7733 Bumper mount, front/ bumper support
- 7734 Bumper mount, rear/ bumper support
- 7735 Bumper, front
- 7736 Bumper, rear
- 7745 Skidplate, center
- 7744 Skidplate, front (1), rear (1)/ rubber impact cushion (2)

Chassis & Attachments

- 7719 Battery hold-down (2)/ foam pad (2).....
- 7718 Battery hold-down mounts, left (2)/ right (2)/ 3x18mm CS (4).....
- 7715 Body mounts, front & rear/3x15mm BCS (1)/ 3x12mm shoulder screw (2)/ 3x8mm flat-head machine screw (6)/ 3x15mm flat-head machine screw (2).....
- 7724 Box, receiver (sealed)/ wire cover/ foam pads/ silicone grease/ 3x15 CS (4).....
- 7733 Bumper mount, front/ bumper support
- 7734 Bumper mount, rear/ bumper support
- 7735 Bumper, front
- 7736 Bumper, rear
- 7722 Chassis
- 7714 Chassis top brace
- 7723 Nerf bars, chassis (2)
- 7725 Seal kit, receiver box (includes o-ring, seals, and silicone grease).....
- 7745 Skidplate, center
- 7744 Skidplate, front (1), rear (1)/ rubber impact cushion (2)
- 7717 Spacer, battery compartment (2)/ foam blocks (4)/ foam pad (2).....

Differential Components

- 7781 Carrier, differential/ x-ring gaskets (2)/ ring gear gasket/ 6x10x0.5 TW
- 7782 Gear set, differential (output gears (2)/ spider gears (4)/ 16x23.5x.5mm TW (2)).....
- 7780 Housing, differential (front/rear).....
- 7777 Pinion gear, differential (front)
- 7778 Pinion gear, differential (rear)
- 7779 Ring gear, differential
- 7783 Spider gear shaft (2)/ spacers (4)/ 16x23.5x.5mm TW (2)

Driveline Components

- 7752 Carriers, stub axle (left & right).....
- 7754 Drive cup (1)/ 3x8mm CS
- 7755 Driveshaft assembly, center, aluminum
- 7750 Driveshaft, steel constant-velocity (shaft only, 160mm) (1).....
- 7751 Rebuild kit, steel constant-velocity driveshaft (includes pins for 2 driveshaft assemblies).....
- 7753 Stub axle, aluminum, blue-anodized (1)
- 7758 Wheel nuts, splined, 17mm, serrated (blue-anodized) (4)

Front Suspension & Steering

- 7726 Bulkhead tie bar, upper (1)/ lower (2) (steel)
- 7721 Bulkhead, front (lower)
- 7720 Bulkhead, front (upper)
- 7752 Carriers, stub axle (left & right).....
- 7732 Caster blocks (c-hubs), left & right
- 7716 Mount, tie bar, front (1)/ rear (1)

- 7747 Servo horn, steering/ linkage, steering (46mm, assembled with pivot balls)
- 7739 Shock tower, front (left & right halves).....
- 7746 Steering bellcranks/ bellcrank support/servo saver/ servo saver spring/ draglink/ 3x20mm shoulder screws (2)
- 7737 Steering blocks, left & right
- 7731 Suspension arms, lower (left, front or rear) (1)
- 7730 Suspension arms, lower (right, front or rear) (1)
- 7729 Suspension arms, upper (left or right, front or rear) (2)
- 7743 Suspension pin retainer (4)
- 7740 Suspension pin set, front or rear corner (hardened steel), 4x85mm (1), 4x47mm (3), 4x33mm (2) (qty 4, #7740 required for complete set).....
- 7742 Suspension pin set, shock mount (front or rear, hardened steel), 4x25mm (2), 4x38mm (2)
- 7741 Suspension pins, 4x85mm (hardened steel) (2)

Hardware

- 3234 Screws, 2.5x14mm cap-head machine (hex drive) (6)
- 2593 Screws, 3x14mm button-head machine (hex drive) (6)
- 4857 Screws, 3x20mm countersunk machine (hex drive) (6)
- 2535 Screws, 4x10mm countersunk machine (hex drive) (6)
- 2594 Screws, 4x15mm button-head machine (hex drive) (6)
- 2597 Screws, 4x22mm button-head machine (hex drive) (6)
- 2596 Screws, 4x25mm button-head machine (hex drive) (6)
- 2598X Screws, 4x30mm button-head machine (hex drive) (6)
- 2595 Screws, 4x35mm button-head machine (hex drive) (6)
- 2754 Stub axle pins (4)

Motors & Electronics

- 7787 Covers, gear (2)
- 2087 Gear set (for 2085 servo)
- 3362 Heat sink, Velineon 1600XL
- 7760 Motor mounts (front and rear)/ pins (4)
- 3361 Motor, Velineon 1600XL, brushless
- 2086 Servo case/gaskets (for 2085 servo)
- 2085 Servo, digital high-torque (ball bearing), waterproof (X-Maxx mount)
- 3360 Velineon VXL-6s Brushless Power System, waterproof (includes VXL-6s waterproof ESC and Velineon 1600XL motor)
- 3365 Velineon VXL-6s Electronic Speed Control, waterproof (brushless) (fwd/rev/brake)

Radio System, Batteries & Chargers

- 2872X **5000mAh 11.1v 3-Cell 25C LiPo Battery**
- 2843X **5800mAh 7.4v 2-Cell 25C LiPo Battery**
- 2869X **7600mAh 7.4v 2-Cell 25C LiPo Battery**
- 2976 **AC to DC converter, 40W**
- 2938 **Adapter, Traxxas iD Lipo Battery (Connects Traxxas iD batteries to LiPo chargers with separate balance ports)**.....
- 6548 Battery door, TQ 2.4 transmitter (replacement for #6516, 6517, 6528, 6529, 6530 transmitter)
- 2914 **Battery, Power Cell AA Alkaline (4)**.....
- 2972 **Charger, dual, EZ-Peak Plus, 100W, NiMH/LiPo with iD Auto Battery Identification**.....
- 2970 **Charger, EZ-Peak Plus, 4 amp, LiPo/NiMH with iD Auto Battery Identification**.....
- 6525 **Communication link, telemetry expander**.....
- 2978 **Fuse, charger, 5A (2) (for #2974, 2975, 2977)**
- 2087 Gear set (for 2085 servo)
- 6533 Receiver, micro, TQi 2.4GHz with telemetry & TSM (5-channel)
- 6552 **Seal kit, expander box (includes o-ring, seals, and silicone grease)**
- 6526 **Sensor, auto-detectable, temperature**
- 6527 **Sensor, auto-detectable, voltage**
- 6521 **Sensor, temperature and voltage (long)**
- 2086 Servo case/gaskets (for 2085 servo)
- 2085 Servo, digital high-torque (ball bearing), waterproof (X-Maxx mount)
- 6550 **Telemetry expander, TQi radio system**.....
- 6551 **Telemetry GPS module, TQi radio system**.....
- 6509R TQi 2.4 GHz High Output radio system, 2-channel, Traxxas Link enabled, TSM (2-ch transmitter, 5-ch micro receiver)
- 6507R **TQi 2.4 GHz High Output radio system, 4-channel with Traxxas Link Wireless Module, TSM (4-ch transmitter, 5-ch micro receiver)**.....
- 6528 Transmitter, TQi Traxxas Link enabled, 2.4GHz high output, 2-channel (transmitter only)

- 6529 **Transmitter, TQi Traxxas Link enabled, 2.4GHz high output, 3-channel (transmitter only)**
- 6530 **Transmitter, TQi Traxxas Link enabled, 2.4GHz high output, 4-channel (transmitter only)**
- 6511 **Traxxas Link Wireless Module**
- 3365 Velineon VXL-6s Electronic Speed Control, waterproof (brushless) (fwd/rev/brake).....
- 6537 **Wire retainers, gear cover/ 3x4mm BCS (2)**

Ready-To-Race Model

- 77076-4 X-Maxx: Brushless Electric Monster Truck with TQi Traxxas Link Enabled 2.4GHz Radio System & Traxxas Stability Management (TSM).....

Rear Suspension

- 7726 Bulkhead tie bar, upper (1)/ lower (2) (steel)
- 7728 Bulkhead, rear (lower)
- 7727 Bulkhead, rear (upper)
- 7752 Carriers, stub axle (left & right).....
- 7716 Mount, tie bar, front (1)/ rear (1)
- 7738 Shock tower, rear (left & right halves).....
- 7731 Suspension arms, lower (left, front or rear) (1)
- 7730 Suspension arms, lower (right, front or rear) (1)
- 7729 Suspension arms, upper (left or right, front or rear) (2).....
- 7743 Suspension pin retainer (4)
- 7740 Suspension pin set, front or rear corner (hardened steel), 4x85mm (1), 4x47mm (3), 4x33mm (2) (qty 4, #7740 required for complete set)
- 7742 Suspension pin set, shock mount (front or rear, hardened steel), 4x25mm (2), 4x38mm (2)
- 7741 Suspension pins, 4x85mm (hardened steel) (2)

Shocks (GTx)

- 7765 Body, GTX shock (aluminum, blue-anodized) (1)
- 7765R **Body, GTX shock (aluminum, red-anodized) (1)**
- 7762 Rebuild kit, GTX shocks (lower cartridge, assembled, pistons, piston nuts, bladders) (renews 2 shocks)
- 7764 Shock caps, GTX shocks/ spring perch/ adjusters/ 2.5x14 CS (2) (for 2 shocks)
- 7763 Shock shafts, GTX, 110mm (assembled with rod ends & hollow balls) (steel, chrome finish) (2)
- 7761 Shocks, GTX, aluminum, blue-anodized (fully assembled w/o springs) (2)
- 1667 Silicone shock oil (30 wt), 60cc
- 7766 Springs, shock (natural finish) (GTX) (1.055 rate) (2)

Slipper Clutch Components

- 7789 Rebuild kit, slipper clutch (steel disc/friction insert (1)/spring (1)/2.5x12mm pin/4.0mm NL(1))
- 7788 Slipper pressure plate and hub

Spur Gears & Pinion Gears

- 6488 **Gear, 14-T pinion (1.0 metric pitch, 20° pressure angle) (fits 5mm shaft)/ set screw**
- 6487 Gear, 15-T pinion (1.0 metric pitch, 20° pressure angle) (fits 5mm shaft)/ set screw
- 6489 **Gear, 16-T pinion (1.0 metric pitch, 20° pressure angle) (fits 5mm shaft)/ set screw**
- 6490 **Gear, 17-T pinion (1.0 metric pitch, 20° pressure angle) (fits 5mm shaft)/ set screw**
- 6491 **Gear, 18-T pinion (1.0 metric pitch, 20° pressure angle) (fits 5mm shaft)/ set screw**
- 7777 Pinion gear, differential (front)
- 7778 Pinion gear, differential (rear)
- 6447 **Spur gear, 46-tooth (1.0 metric pitch)**
- 6448 **Spur gear, 50-tooth (1.0 metric pitch)**
- 6449 **Spur gear, 54-tooth (1.0 metric pitch)**

Steering Components

- 5119 Ball bearings, blue rubber sealed (10x15x4mm) (2)
- 5116 Ball bearings, blue rubber sealed (5x11x4mm) (2)
- 7747 Servo horn, steering/ linkage, steering (46mm, assembled with pivot balls)
- 7746 Steering bellcranks/ bellcrank support/servo saver/ servo saver spring/ draglink/ 3x20mm shoulder screws (2)
- 7748 Toe links, molded composite, 173mm (158mm center to center) (black) (2)

Suspension Linkage

- 7743 Suspension pin retainer (4)
- 7740 Suspension pin set, front or rear corner (hardened steel), 4x85mm (1), 4x47mm (3), 4x33mm (2) (qty 4, #7740 required for complete set)
- 7742 Suspension pin set, shock mount (front or rear, hardened steel), 4x25mm (2), 4x38mm (2)

- 7741 Suspension pins, 4x85mm (hardened steel) (2)
- 7748 Toe links, molded composite, 173mm (158mm center to center) (black) (2)

Team Traxxas Items

- 2514 Decal sheet, racing sponsors
- 9950 Official Team Traxxas racing decal set (flag logo/ 6-color)
- 9909 Traxxas racing banner, red & black (3x7 feet)

Tires & Wheels

- 7772 Tires & wheels, assembled, glued (X-Maxx black wheels, Maxx AT tires, foam inserts) (2)
- 7770 Tires, Maxx AT (2)/ foam inserts (2)
- 7757 Wheel hex clips (6)
- 7756 Wheel hubs, hex (2)/ hex clips (2)
- 7758 Wheel nuts, splined, 17mm, serrated (blue-anodized) (4)
- 7771 Wheels, X-Maxx, black (left and right)

Transmission Components

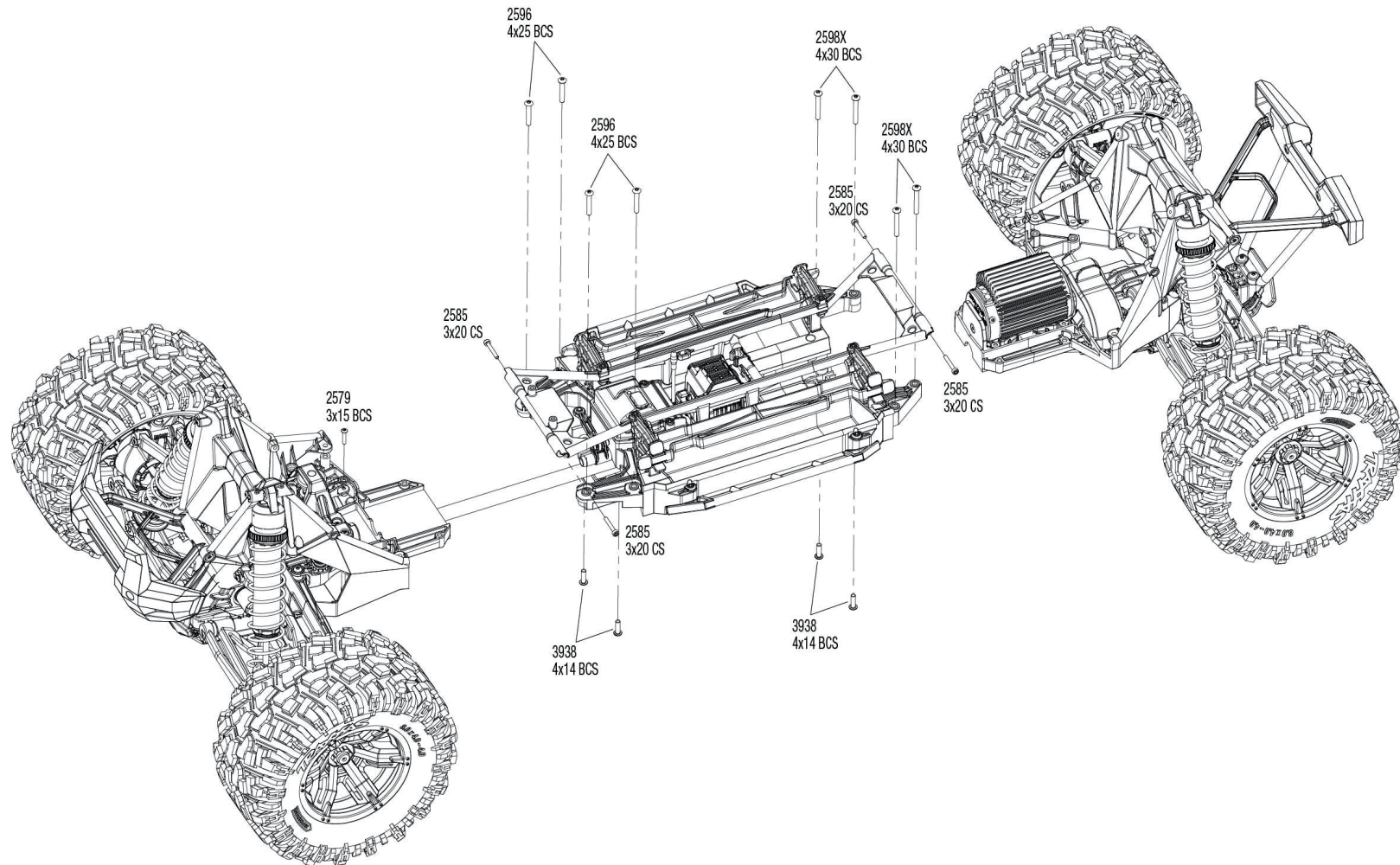
- 7787 Covers, gear (2)
- 7785 Input gear, transmission, 20-tooth/ 2.5x12mm pin
- 7786 Input shaft, transmission (slipper shaft)
- 7784 Output gear, transmission, 51-tooth (1)

Turnbuckles & Threaded Rods

- 7748 Toe links, molded composite, 173mm (158mm center to center) (black) (2)



Modular Assembly

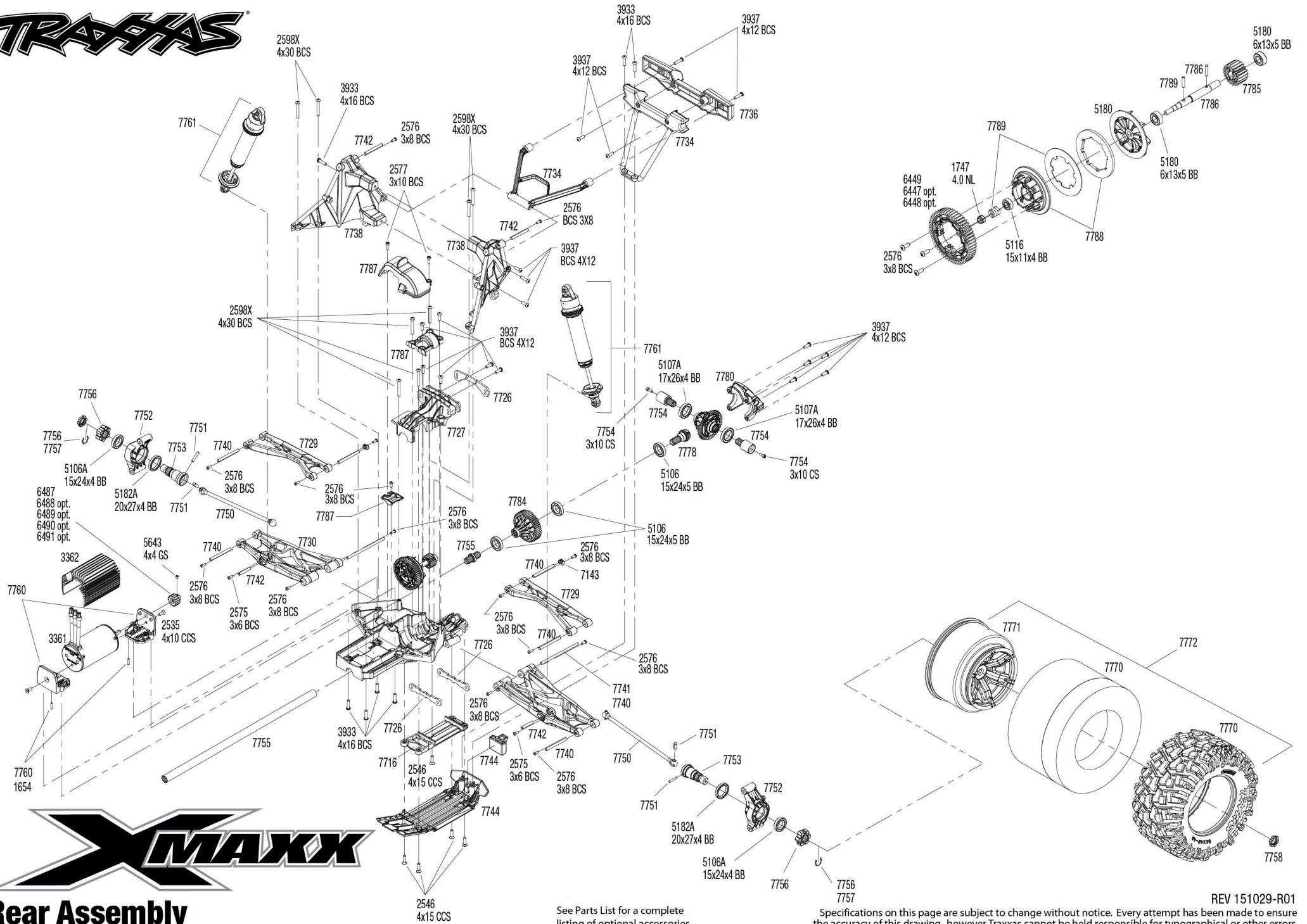


REV 151029-R01

Specifications on this page are subject to change without notice.

Every attempt has been made to ensure the accuracy of this drawing, however Traxxas cannot be held responsible for typographical or other errors. See Parts List for a complete listing of optional accessories.

TRAXXAS



X-MAXX

Rear Assembly

See Parts List for a complete listing of optional accessories.

Specifications on this page are subject to change without notice. Every attempt has been made to ensure the accuracy of this drawing, however Traxxas cannot be held responsible for typographical or other errors.

REV 151029-R01