



# TRAIL FINDER 2 BLAZER

*1/10 Trail Finder 2 RTR w/Chevrolet Blazer Body Set (Limited Edition)*



## Warranty

RC4WD non-electrical products are warranted to be free of defects in materials and workmanship when new. Our limited warranty does not cover damages due to normal wear and tear, user error of assembly or installation, user modifications, user's failure to perform routine maintenance, addition of aftermarket parts or option parts. This warranty lasts 30 days after arrival for original purchaser.

In the event of a defect under this warranty, RC4WD will, at our discretion, replace the product, provided our inspection indicates that an original defect exists. RC4WD reserves the right to replace any product which is no longer available with a product of comparable value and function. If RC4WD determines the repair is not covered under warranty guidelines, we will contact you to discuss your options. If you have any questions, please contact us via email at [support@rc4wd.com](mailto:support@rc4wd.com).

RC4WD warrants its electronics for 30 days from date of arrival. This covers all electrical items except items that are already noted on the individual product page.



## BATTERY CHARGING

1. Only change batteries that are cool to the touch and are not damaged (swollen, bent, broken or punctured).
2. Connect the charger to the proper wall receptacle noting proper polarity.
3. Plug the battery's connector into the charger's connector. The LED will light red as it is charging.
4. The charger will emit a tone and the LED will change to green once fully charged. NOTE: Monitor the battery while the charging and end the charging process if the charger or battery becomes abnormally hot.
5. Always unplug the battery from the charger immediately upon completion of charging.



**CAUTION:** Overcharging a battery may cause a fire.

## SPECIFICATIONS

Input Voltage	110VAC~240VAC
Output Current	650MA
Charging Model	pre-charged, steady current, monitoring, automatic protection
Charging Capability	5-8 NiMH batteries

### ⚠ WARNING

This charger is designed to charge only 5~8 Cell NiMH batteries.

Make sure that the battery is compatible with the charger's charge rate.

Never let children operate unsupervised while charger is in use.

Adult supervision is recommended at all times.

The charger is for indoor use only. Do not use in case of high humidity conditions or condensation.

Do not attempt to open or modify the charger's case.

Do not let objects or liquids penetrate the charger's cooling vents.

The charger may get hot during use. Use the charger in a well ventilated area, away from people and electrically conductive or inflammable materials.

If the battery has suspicious reactions during the charge or discharge, such as overheating, venting or leaking, immediately disconnect the battery and store it in a safe location, away from people and inflammable materials.



## NIMH BATTERY

**IMPORTANT:** To prevent battery from leaking, overheating or exploding, carefully follow these instructions! Misuse of battery may lead to leakage, heat generation or explosion. Battery may become hot during use. Battery temperature may exceed 80C (175F) even under normal operation and may cause burns or alter the shape of some materials.

### ⚠ DANGER

- Failure to follow instructions associated with this symbol risks injury or even death!
- If battery liquid enters the eye, immediately flush continuously with clean running water and seek medical treatment. Serious and permanent eye damage may occur.



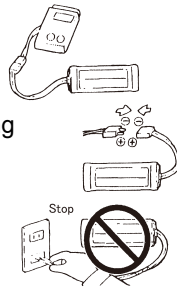
**⚠ WARNING**

- Failure to follow instructions associated with this symbol risks injury or even death!
- Avoid battery liquid contact with skin and clothing.  
If contact occurs, remove contaminated clothing and wash skin thoroughly with water.

**Before Use:** Read and understand the battery and charger operating instructions before recharging.

**⚠ DANGER**

- ONLY use genuine charger unit for recharging brand NiMH batteries.
- ENSURE polarity is correct when plugging a battery into the charger unit.
- NEVER plug a battery directly into household outlets or cigarette lighters in cars!



**⚠ WARNING**

- NEVER place a battery into water.
- IF you experience irregular noise, temperature or any leaking from your battery, stop using it immediately!
- KEEP battery away from exposed flame, high temperatures and humidity.



**NOTE:** Before any use of this battery, ensure that it is fully charged.

**During use:** Always monitor a battery while it's charging so you can react to any unexpected problems.

**⚠ DANGER**

- NiMH batteries are ONLY for use in R/C (radio control) models! Do NOT use them for any other purpose!
- NEVER disassemble or modify a battery!



**⚠ WARNING**

- Do NOT remove or cut the outer tube from battery!
- DISCONTINUE charging immediately if the charge time has been exceeded, even if the battery is not fully charged.



Battery is recyclable. At the end of its useful life, under various national, state or local laws, it may be illegal to dispose of a battery into the municipal waste stream. Check with your local solid waste officials for details in your area for recycling options or proper disposal.

**⚠ WARNING**

**Before using, customers must read information below:**

- Use caution when holding the battery. Do not drop or attempt to dismantle the battery or any parts of the battery.
- Do not mix usage of old and new cells or cells of different sizes, different chemistry and/or types in the same battery assembly.
- Do not heat or dispose of battery into fire, water and/or other liquids.
- Do not place the battery into microwave, washing machine and/or drying machine.
- Do not use a damaged battery (such as swollen, deformed, voltage is lower than 0.9V, destroyed, etc.)
- Do not place batteries near heating sources or expose to direct sunlight for long periods. Elevated temperatures may result in reduced battery life cycle.
- Do not short-circuit the battery's positive and negative terminals.
- Do not charge, discharge or store the battery above or below the battery specifications.
- Do not disassemble the battery.
- Before charging battery, ensure polarity is correct.
- Keep battery far away from easily flammable objects and children while charging.
- Do not charge when battery is hot to the touch. Allow battery to cool before recharging.
- Never leave batteries unattended while charging.
- Do not leave battery installed in your model while not in use. Do not charge the battery while installed in models.

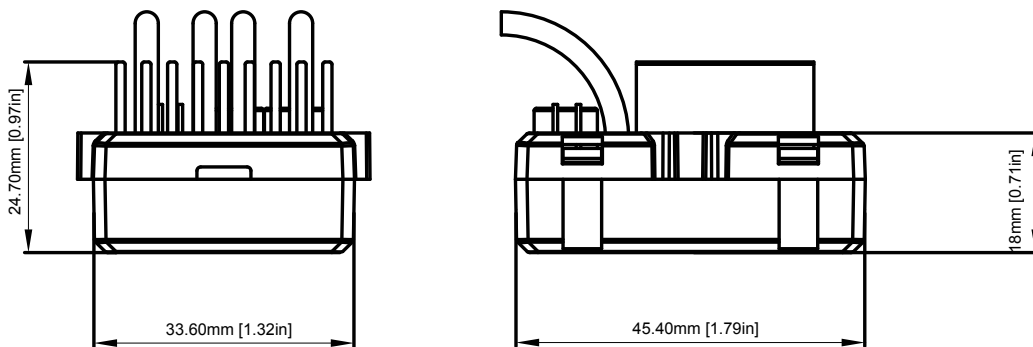


# RC4WD Outcry II Waterproof ESC

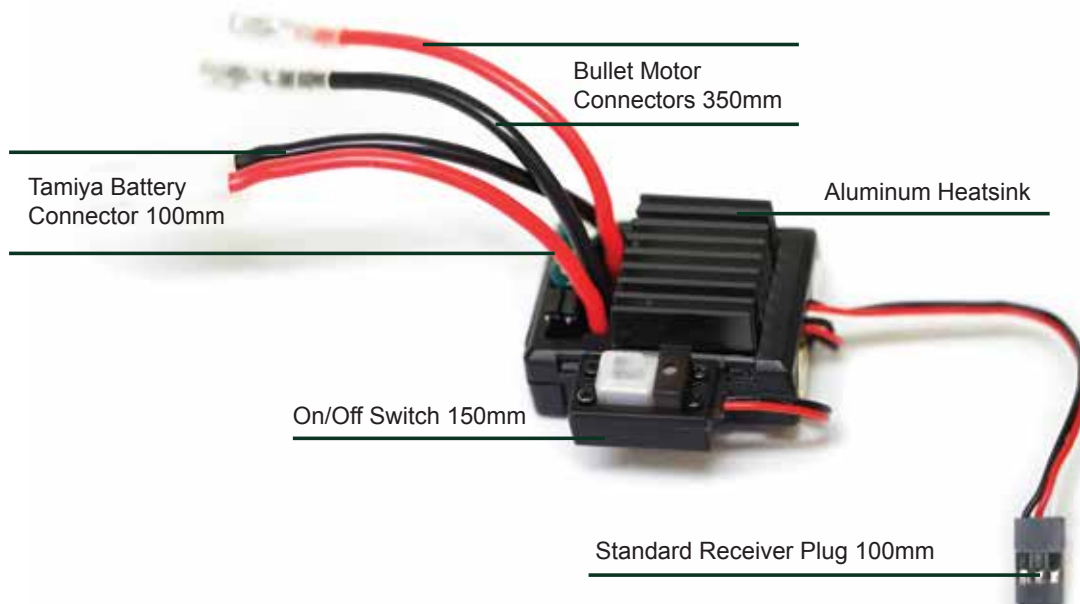
## BASIC SPECIFICATIONS

Type		Brushed Motor ESC
Model		Z-E0089
Specification		1/10 Electric ESC
Lipo		2-3S
NiMH (1.2V/PCS)		4-9 PCS
BEC Output Voltage (V) - Current (A)		5V/2A
ESC	Max Length (mm/in)	45.40mm [1.79in]
	Max Height (mm/in)	24.70mm [0.97in]
	Max Width (mm/in)	33.60mm [1.32in]
Output Current		Continuous working current is 45A, Forward steps are 320A, Backward steps are 160A.
Proper Motor		540 Motor Size/19T & Higher Winds

## SIZE SPECIFICATIONS



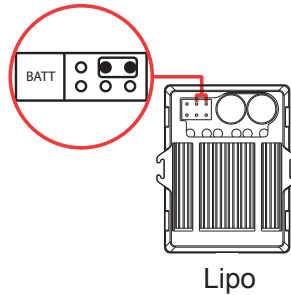
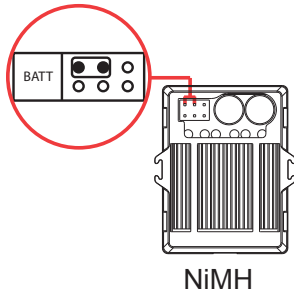
## OVERVIEW



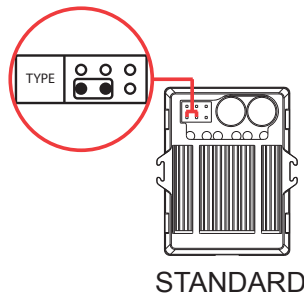
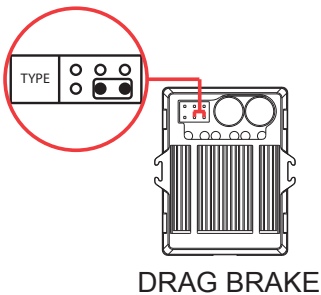
## INSTRUCTIONS

### Product Features and Characteristics

#### I. NiMH/Lipo Option



#### II. Drag Brake/Standard Option



#### III. Micro Controller (MCU) Automatic Learning Center Point

**WARNING:** Prior to proceeding, be sure to either remove the pinion from the motor or elevate the truck so the wheels are not able to touch the ground.

1. The CPU can automatically sense if it is at its center point. Keep the switch at "ON" after connecting with power, motor will emit a "DO" sound and start the center point learning process.
2. During this time, please do not touch the throttle. If the center point is reached, motor will emit a "DO RE MI" sound. If the center point is not reached, motor will emit a "DO DO..." sound. If this happens, user must manually adjust to center point. User should hear the motor go from emitting "DO DO..." sound to emitting "DO RE MI" sound. That's the center point learning process.
3. If the ESC is unable to receive the signal, LED light will flash very quickly to alert user that there is no signal.

#### IV. Automatic Temperature Protection

The automatic temperature protection can prevent ESC from any damages caused by overheating. This product has a special design for temperature control. When the temperature is very high, the ESC will power itself off and LED light will stay on as a warning.

#### V. While in the lithium battery mode, the battery quantity will be automatically recognized.

- A. This ESC will automatically determine if it's 2S or 3S, no human operation required. Once connected to the power and the center point learning is completed, motor will emit a sound of battery quantity. For example, "MI MI" is for 2S, "MI MI MI" is for 3S.
- B. This ESC can protect the lithium battery to avoid the battery from extreme discharge.
- C. This ESC has an LED voltage warning. LED light will indicate a slow flashing when the lithium battery is being protected.
- D. This ESC has a half-power warning. When using 2S battery, if the voltage goes down to 6V, ESC will start the half-power output. If the voltage goes down to 5.8V, ESC will stop working. When using 3S battery, if the voltage goes down to 9.6V, ESC will start the half-power output. If the voltage goes down to 9V, ESC will stop working.

## IMPORTANT NOTES

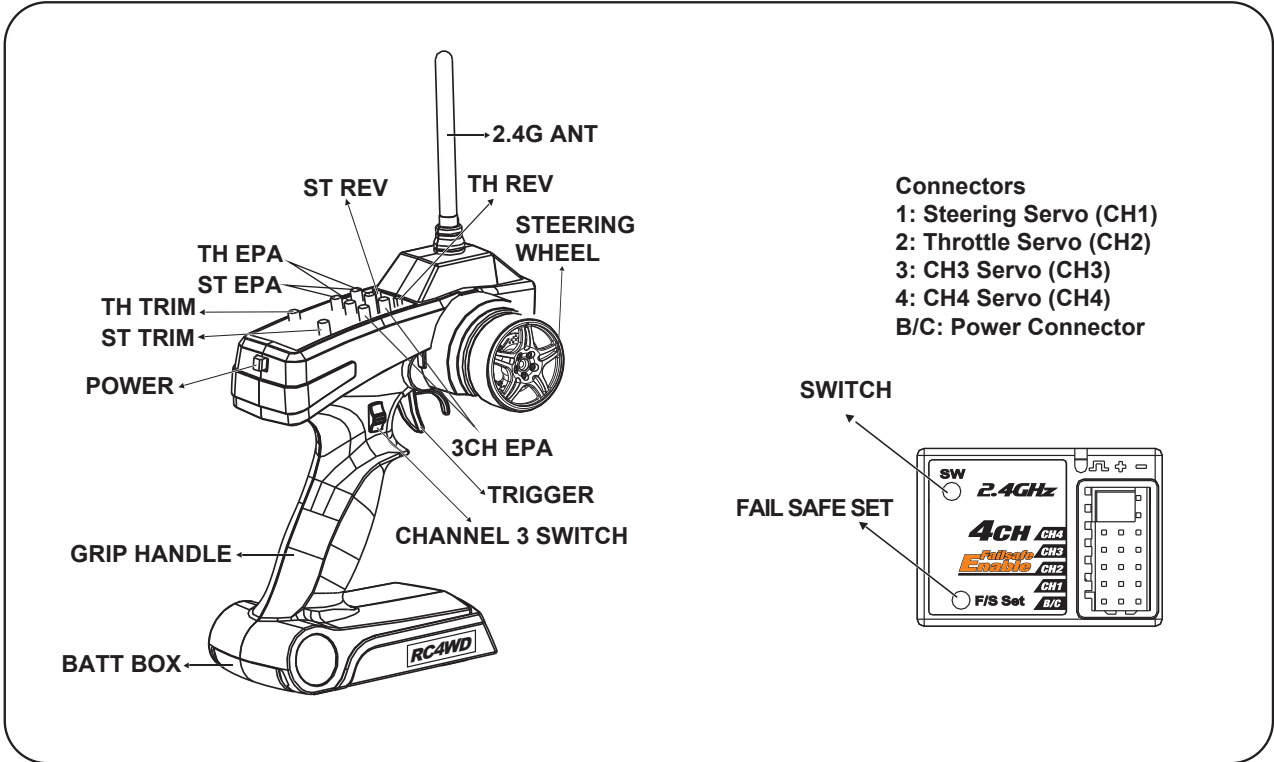
1. Prior to proceeding, be sure to either remove the pinion from the motor or elevate the truck so the wheels are not able to touch the ground.
2. Do not touch this product while in use to avoid injury. Product emits heat and thus, the heat sink may become extremely hot.
3. This product is waterproof. Product will be functional in up to 10cm of water for 2 hours.



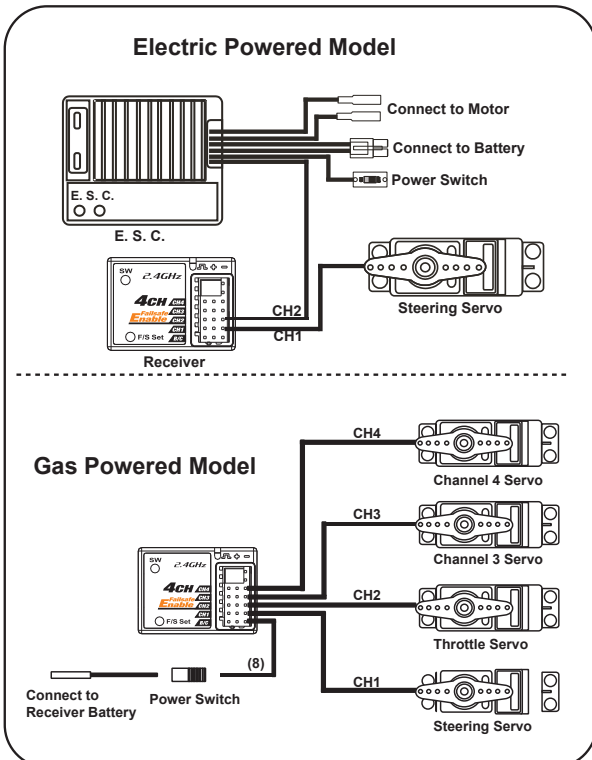


## 3C Transmitter / Radio

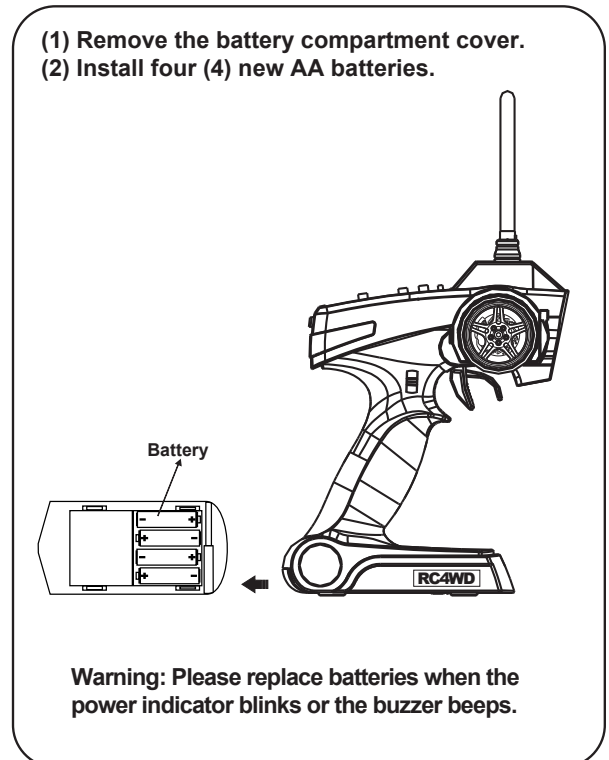
### Step 1. Transmitter and Receiver Overview



### Step 2. Receiver and Servo Connection



### Step 3. Installing the Batteries



RC4WD USA 100-0012

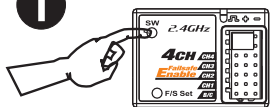




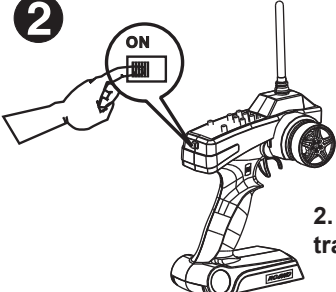
## 3C Transmitter / Radio

### Step 4. Binding the Transmitter and Receiver

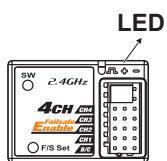
- 1**



1. Turn on the receiver power. Press the SW switch. The receiver's LED should start flashing.
- 2**



2. Turn on the transmitter.
- 3**



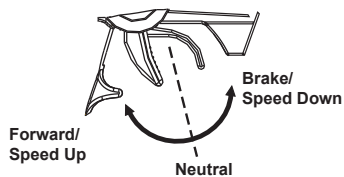
3. When the LED on the receiver becomes solid, the binding process is completed.

### Step 5. Fail Safe Function Settings

1. Set the TH, ST switches to the norm position.
2. Turn on the transmitter and receiver.
3. Press the F/S SET button, the LED on the receiver should start flashing rapidly.
4. Put the throttle trigger in the break position, press the F/S SET button. The LED should become solid.
5. For Electric Model, put the throttle trigger in the stop position when you are adjusting the setting.

### Step 6. Transmitter Adjustments

#### A. Throttle Trigger

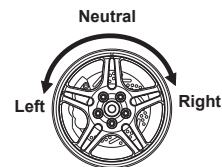


1. Push the trigger forward to slow down brake.
2. Pull the trigger backward to accelerate.

**WARNING:** 1) Keep the transmitter and receiver 40cm apart when operating.

2) Do not operate the radio system when the battery power is low.

#### B. Steering Wheel



Turn the steering wheel to the left or right to let the vehicle turn left or right.

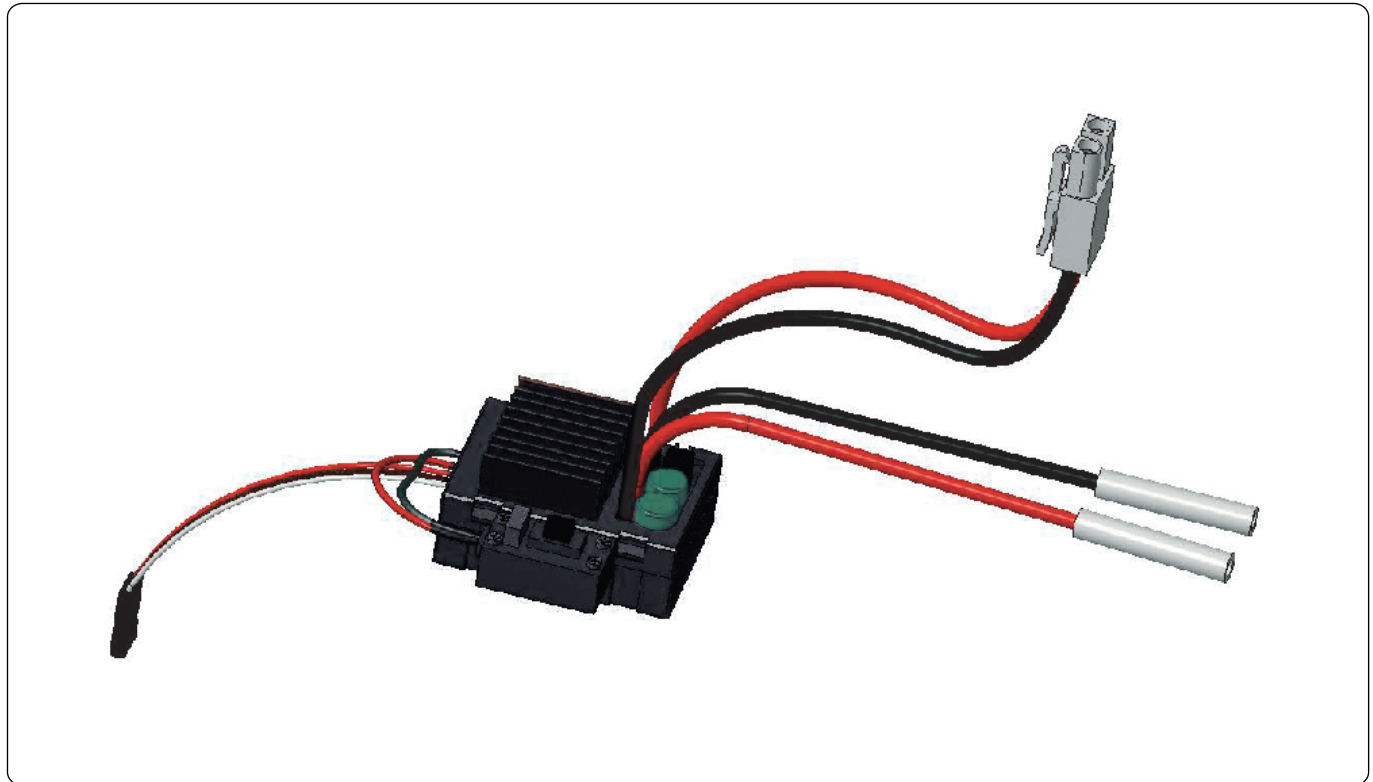




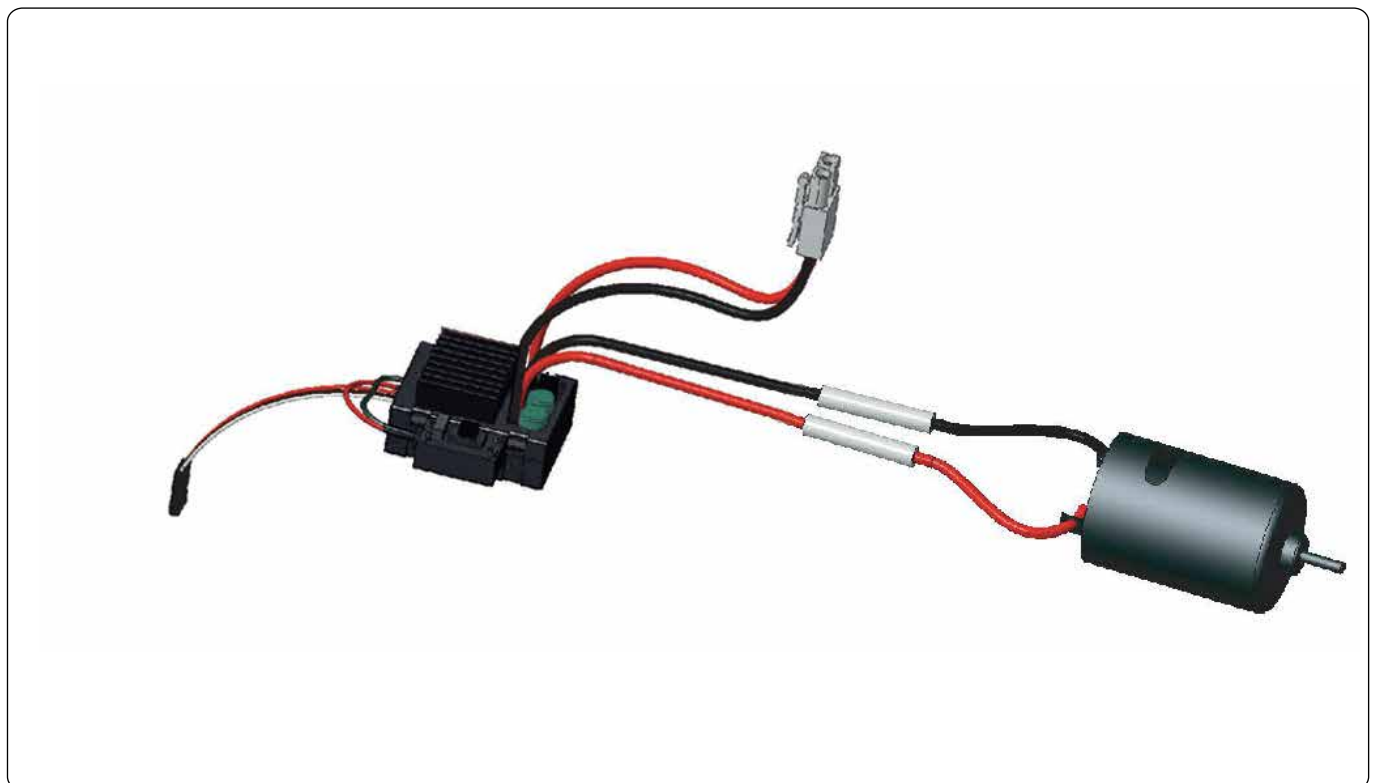
# TF2 Limited Edition RTR Truck Electronic Manual

This is a step by step overview of your new TF2 Limited Edition RTR Truck electrical items and how they connect.

## 1. Outcry II Waterproof ESC (Z-E0089)



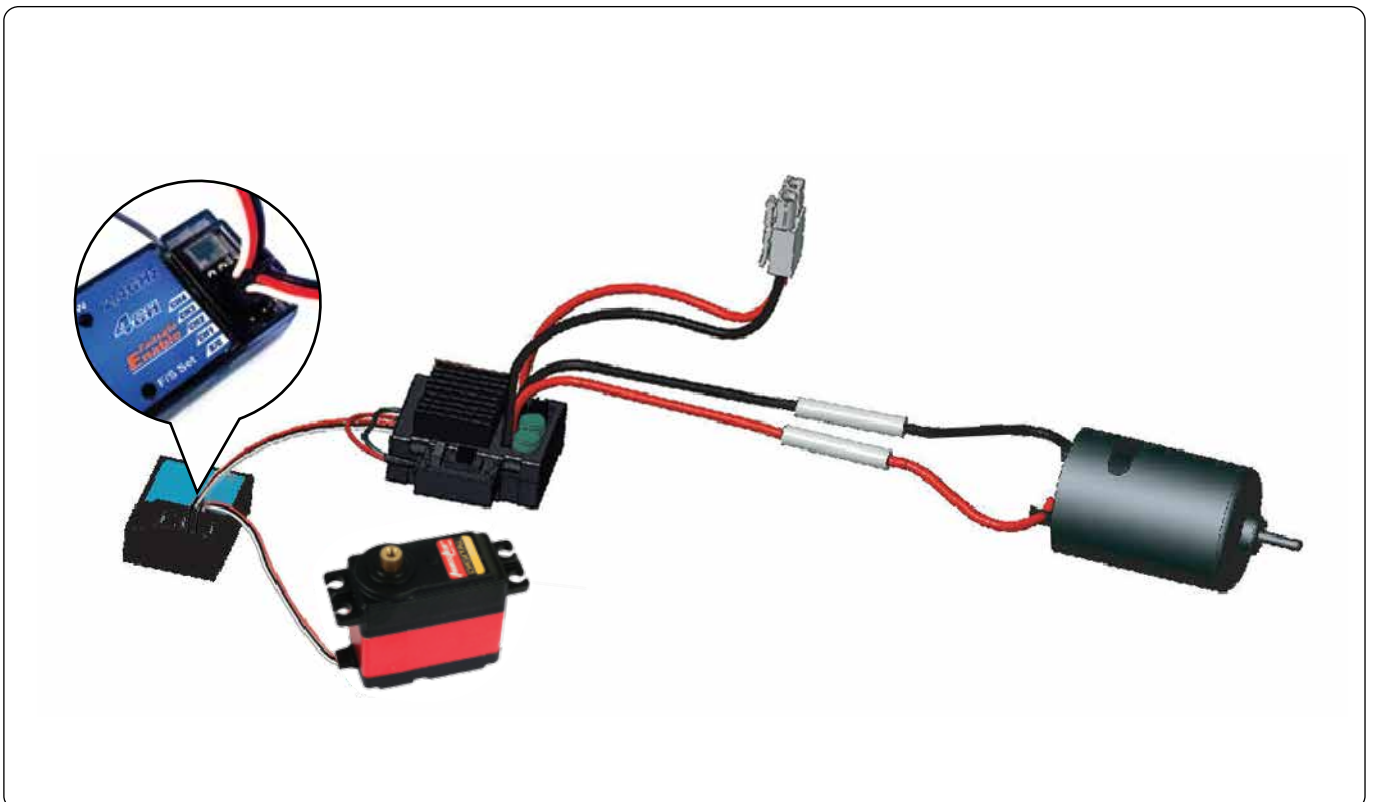
## 2. Shows the ESC connected to the Brushed 45T Crawler Motor (Z-E0004)



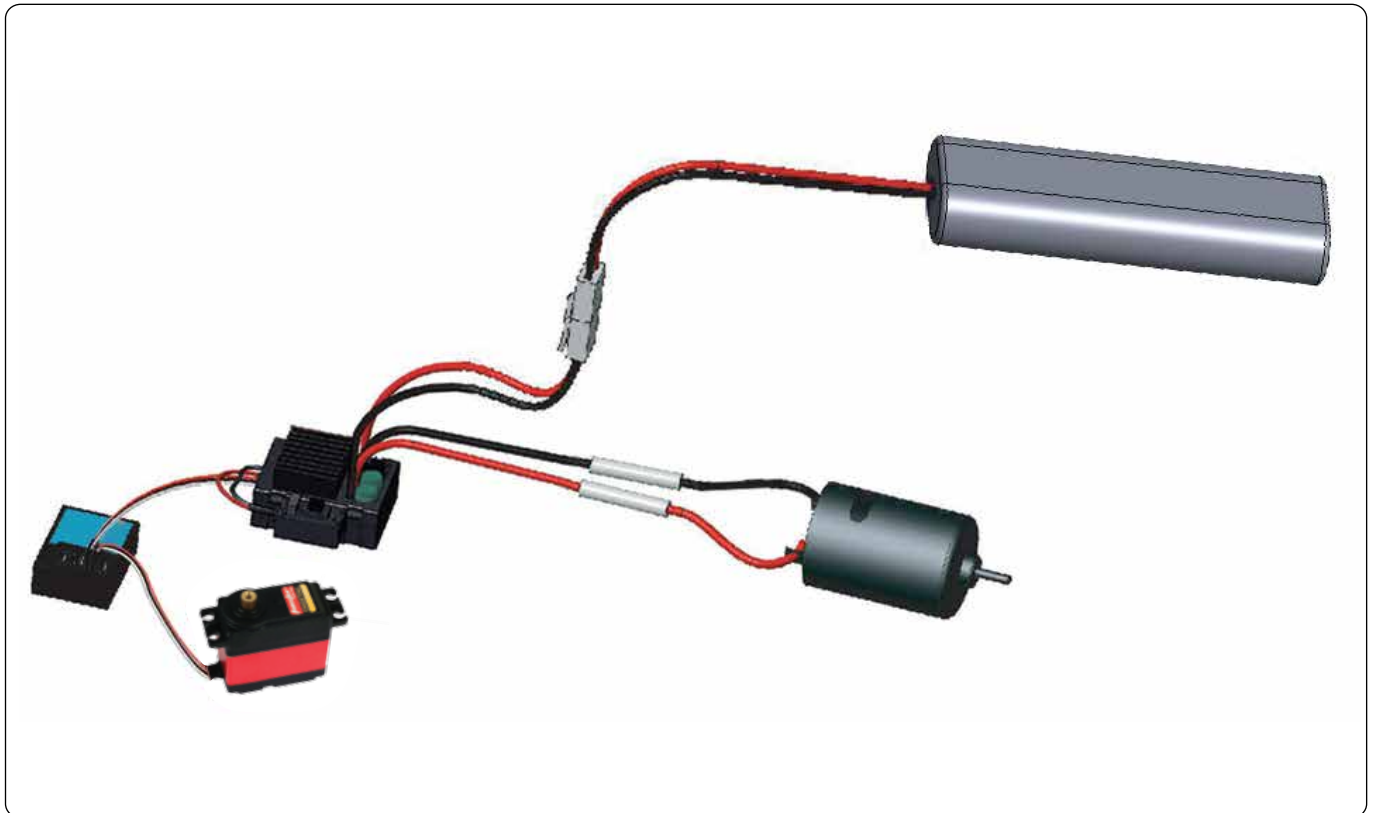
3. This shows the ESC to radio's receiver (Z-R0008) connected to the CH2 port



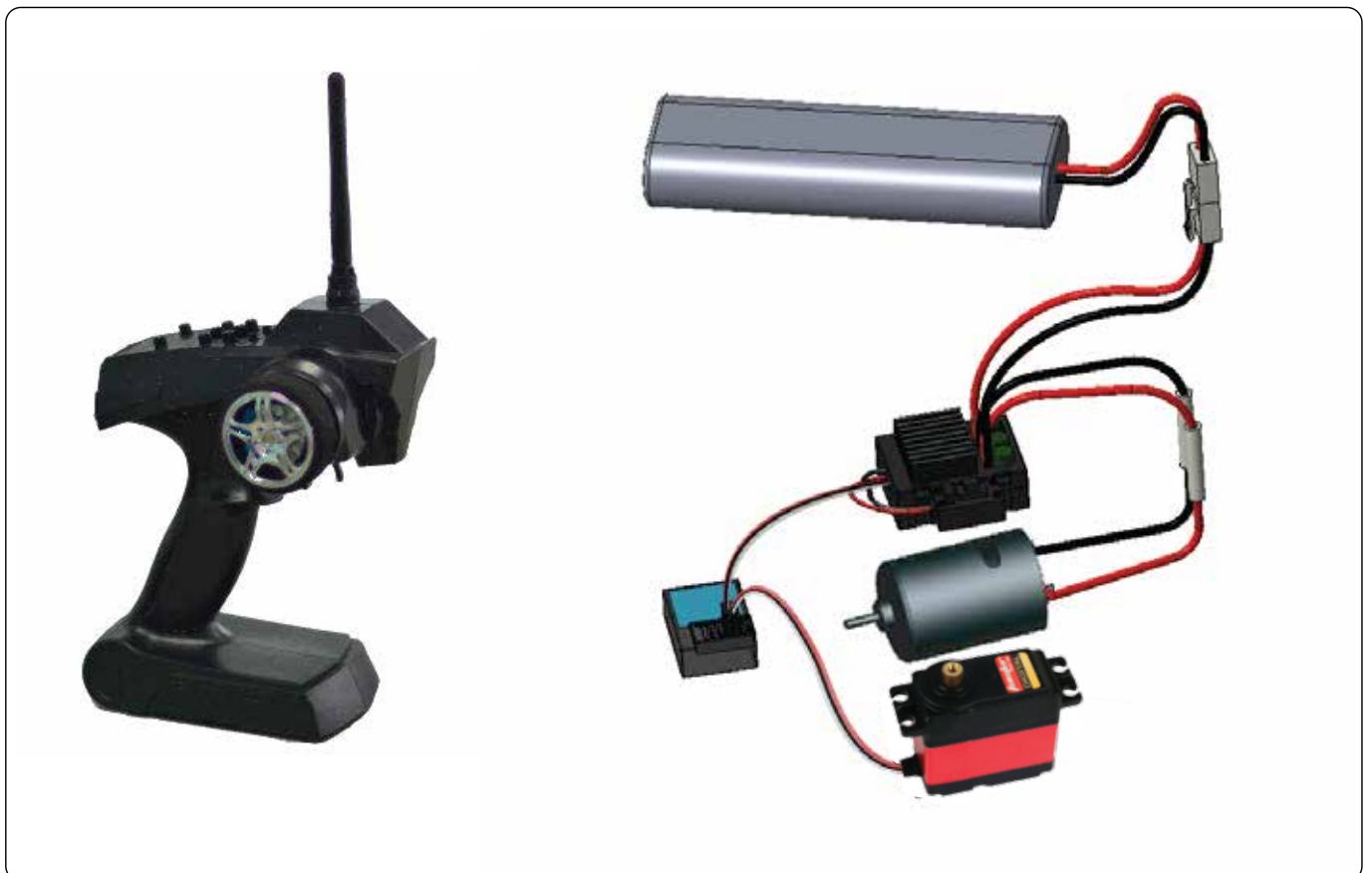
4. Connect the ESC to the radio's receiver Channel 2 (CH2)  
You may use this channel on the radio to control the throttle.



5. Shows the battery (Z-E0090) connected to the ESC



6. This final step shows all the items as they are connected on the truck



## Spare Parts

- Z-S0028 RC4WD Superlift Dual Front Shock Mount for Trail Finder 2
- Z-S1224 RC4WD 1/8 Warn Scale Manual Locking Hubs
- Z-S0756 RC4WD Drive Flange Wheel Nut Cover
- Z-S0779 1.9"/2.2" 6 Lug Steel Wheel Hex Hub +6 Offset
- Z-T0086 Prowler XS Scale 1.9" Tires
- Z-W0189 RC4WD Raceline Monster 1.9" Beadlock Wheels
- Z-S0342 XVD Axle for Ultimate Scale Yota TF2 Axle
- Z-S1043 RC4WD 1/10 V8 Scale Engine
- Z-S1500 RC4WD 1/10 Holley® Chrome Valve Covers For Scale V8 Engine
- Z-U0031 RC4WD TCI Heavy Duty R4 Single Speed Scale Transmission
- Z-S1239 Trail Finder 2 V8 Engine Mounts
- Z-S1488 RC4WD Skid Plate For Trail Finder 2 V8/R4
- Z-S0986 RC4WD Superlift Adjustable Steering Stabilizer (90mm-120mm)
- Z-D0015 RC4WD Superlift Superide 90mm Scale Shock Absorbers
- Z-D0012 RC4WD Superlift Superide 80mm Scale Shock Absorbers
- Z-S0209 Scale Steel Punisher Shaft (100mm-130mm/3.94"-5.12") 5mm
- Z-S0822 Heavy Duty Metal Servo Arm 25t Futaba
- Z-C0018 Trail Finder 2 Chassis Set
- Z-U0024 Hammer Transfer Case
- Z-S0601 Yota Steering Links for Trail Finder 2
- Z-S0518 Soft Leaf Springs for Trail Finder 2
- Z-S0592 Fuel Cell Radio Box
- Z-B0029 Trail Finder 2 Plastic Body Posts
- Z-S0047 Leaf Spring Shackles & Mounts Kit
- Z-S0678 Electronics Top Plate w/Servo Mounts For Trail Finder 2
- Z-S0398 M3 Mini Plastic Rod End
- Z-S0401 M3 Offset Short Plastic Rod End
- Z-A0058 The Ultimate Scale 1.9" Yota Cast Axles (Front)
- Z-S0027 The Ultimate Scale Yota 1/10 Axle Ring & Pinion Gears
- Z-A0061 The Ultimate Scale 1.9" Yota Cast Straight Rear Axles
- Z-S0596 Marlin Crawlers Side Plastic Sliders for Trail Finder 2
- Z-E0004 RC4WD 540 Crawler Brushed Motor (45T)
- Z-E0035 Twister High Torque Metal Gear Digital Servo
- Z-E0089 Outcry II Waterproof ESC
- Z-R0009 RC4WD XR3 3-Channel 2.4Ghz Transmitter & Receiver Radio
- Z-B0092 RC4WD Chevrolet Blazer Hard Body Complete Set
- Z-B0094 RC4WD Chevrolet Blazer Chrome Grill and Bumper Parts Tree
- Z-B0096 RC4WD Chevrolet Blazer Clear Lenses Parts Tree
- Z-B0098 RC4WD Chevrolet Blazer Hood and Tailgate Parts Tree
- Z-B0100 RC4WD Chevrolet Blazer Seats, Steering Column Parts Tree
- Z-B0102 RC4WD Chevrolet Blazer Interior Panels Parts Tree
- Z-B0104 RC4WD Chevrolet Blazer Chrome Handles and LED Holder Parts Tree
- Z-B0106 RC4WD Chevrolet Blazer Chrome Mirror and Rear Taillight Parts Assembly
- Z-B0108 RC4WD Chevrolet Blazer Accessory Parts Tree
- Z-B0110 RC4WD Chevrolet Blazer Topper Clear Window Parts Tree
- Z-B0112 RC4WD Chevrolet Blazer Body Mounting Parts Tree



Z-B0114 RC4WD Chevrolet Blazer Main Cab Clear Window Parts Tree  
Z-B0116 RC4WD Chevrolet Blazer Main Body  
Z-B0118 RC4WD Chevrolet Blazer Topper  
Z-S1564 RC4WD Chevrolet Blazer Functional Hood and Tailgate Hardware  
Z-S1560 RC4WD Chevrolet Blazer Metal Emblem Set  
Z-S1562 RC4WD Magnet and Metal Mounts  
Z-E0090 RC4WD 6-Cell 3000mAh NiMH Battery Pack  
Z-E0092 RC4WD NiMH Peak Battery Charger  
Z-S1718 RC4WD AA Batteries  
Z-S1226 Large Warn Scale Locking Hub Installation Tool  
Z-S0757 RC4WD Drive Flange Hub Tool



## Accessories

- Z-A0080 Yota II Ultimate Scale Cast Axle (Front)
- Z-A0081 Yota II Ultimate Scale Cast Axle (Rear)
- Z-A0090 D35 Scale Front and Rear Axle Set (Black)
- Z-A0101 K44 Ultimate Scale Cast Front Axle
- Z-A0096 K44 Ultimate Scale Cast Rear Axle
- Z-A0048 K44 Ultimate Scale Front Axle
- Z-A0049 K44 Ultimate Scale Rear Axle
- Z-A0094 RC4WD Ballistic Fabrications Custom Axle Set
- Z-A0098 RC4WD Portal Front Axles for Yota Axles (First Gen)
- Z-A0079 Rear Replacement Case Housing for Cast Yota Axle
- Z-A0078 Front Replacement Case Housing for Cast Yota Axle
- Z-E0063 Twister Ultimate High Performance Waterproof Servo
- Z-E0007 Outcry Crawler Single Motor Electronic Speed Controller (ESC)
- Z-E0076 RC4WD 1/10 Baja Designs S8 LED Light Bar (120mm)
- Z-E0066 RC4WD 1/10 Baja Designs Squadron Pro LED Lights
- Z-E0065 540 Crawler Brushed Motor 20T
- Z-E0067 540 Crawler Brushed Motor 27T
- Z-E0005 RC4WD 540 Crawler Brushed Motor (35T)
- Z-E0003 RC4WD 540 Crawler Brushed Motor (55T)
- Z-E0002 RC4WD 540 Crawler Brushed Motor (65T)
- Z-E0001 RC4WD 540 Crawler Brushed Motor (80T)
- Z-E0084 LED Light Set for Blazer Body Set
- Z-R0006 RC4WD XR4 4-Channel 2.4Ghz Transmitter & Receiver Radio
- Z-R0008 4-Channel XR4 2.4Ghz Blue Receiver
- Z-G0059 Helical Gear Set for 1/10 Yota Axle
- Z-S0636 Replacement Cast Knuckles for Yota Axle
- Z-S0659 Replacement Hardware for Front Yota Axle
- Z-S1738 Distributor and Rubber Tube for V8 Motor
- Z-S1748 RC4WD 1/10 Holley® M/T Valve Covers for Scale V8 Motor
- Z-S1662 RC4WD "Holley®" V8 Air Cleaner
- Z-S1773 RC4WD Radiator and Hose for V8 Motor
- Z-S1537 RC4WD Pulley Kit w/Belt for V8 Scale Engine
- Z-S1749 RC4WD V8 Engine Cover with Metal Intake Set for R3 Transmission
- Z-S1719 RC4WD Water Pump for V8 Scale Engine
- Z-S1739 Thermostat Housing for V8 Motor
- Z-S1347 80mm Ultimate Scale Shocks Internal Spring Assortment
- Z-S1179 Internal Springs for ARB and Superlift 80mm Shocks
- Z-S0522 RC4WD Steel Punisher Shaft II
- Z-S0826 Scale Steel Punisher Shaft V3 (90.5mm-110.5mm/3.56"-4.35") 5mm Hole
- Z-S1762 RC4WD Aluminum Rear Bumper for the Chevy Blazer Body
- Z-S1731 RC4WD Aluminum Front Bumper for the Chevy Blazer Body
- Z-S0182 Heavy Duty Metal Servo Arm for Futaba Type Servo (Black)
- Z-S0130 Heavy Duty Metal Servo Arm for Futaba Type Servo
- Z-S0216 Adjustable Heavy Duty Metal Servo Arm for Futaba Type Servo
- Z-S0950 RC4WD Lightforce 140 Lance Light Bar Kit
- Z-S0944 RC4WD Lightforce 240 Blitz Light Bar Kit
- Z-S1472 RC4WD Metal Hydraulic Jack



Z-S1782 TF2 LWB Body Mounting Kit for Land Cruiser LC70  
 Z-S1526 RC4WD 1/10 Hi-Lift Jack  
 Z-S1708 Tough Armor Roll Cage For Chevy Blazer  
 Z-S1729 Front Inner Fender Set for Chevy Blazer  
 Z-S0588 Chubby 6 TON Scale Jack Stands  
 Z-S0731 Chubby Mini 3 TON Scale Jack Stands  
 Z-D0036 RC4WD 80mm Old Man Emu Nitrocharger Sport Shock by ARB  
 Z-D0005 The Ultimate Scale Shocks 80mm (Silver)  
 Z-X0029 Scale Garage Series V8 Engine Stand  
 Z-B0123 RC4WD Chevrolet Blazer Decal Sheet Set for Chevy Blazer Body  
 Z-X0036 RC4WD Push Bar for RC4WD Chevy K5 Front Bumper  
 VVV-S0054 Mega Truck Universal Shaft "Ver 2" (92mm-130mm/3.62"-5.12")  
 VVV-C0356 Roll Bar Rack w/Spare Mount for RC4WD Chevy Blazer Body (Red)  
 VVV-C0354 Roll Bar Rack for RC4WD Chevy Blazer Body (Red)  
 VVV-C0358 Roof Rack, Rollbar, Light Bar Combo for RC4WD Chevy Blazer Body (Red)  
 VVV-C0357 Roof Rack, Rollbar, Light Bar Combo for RC4WD Chevy Blazer Body (Black)  
 VVV-C0355 Roll Bar Rack w/Spare Mount for RC4WD Chevy Blazer Body (Black)  
 VVV-C0353 Roll Bar Rack for RC4WD Chevy Blazer Body (Black)  
 Z-T0005 Dirt Grabber 1.9" All Terrain Truck Tires  
 Z-T0049 Rock Creepers 1.9" Scale Off-Road Tires  
 Z-T0050 Scale 4x4 1.9" Mud Slingers Tires  
 Z-T0051 Mud Thrashers 1.9" Scale Tires  
 Z-T0053 Rock Crusher X/T (Xtreme Terrain) 1.55" Off-Road Tires  
 Z-T0058 RC4WD Mickey Thompson 1.55" Baja MTZ P3 Scale Tires  
 Z-T0076 Sand Thrasher Rear 1.9" Tires  
 Z-T0100 Mud Thrashers 1.55" Off-Road Tires  
 Z-T0119 RC4WD Dick Cepek FC-II 1.9" Tire  
 Z-T0124 RC4WD Dick Cepek Fun Country 1.55" Scale Tires  
 Z-T0132 RC4WD Dick Cepek Trail Country 1.7" Scale Tires  
 Z-T0150 RC4WD Goodyear Wrangler Duratrac 1.9" Scale Tires  
 Z-T0152 Scrambler Offroad 1.55" Scale Tires  
 Z-T0154 RC4WD Atturo Trail Blade X/T 1.9" Scale Tires  
 Z-W0001 5 Lug Wagon 1.9" Steel Stamped Beadlock Wheels (Chrome)  
 Z-W0002 6 Lug Wagon 1.9" Steel Stamped Beadlock Wheels (Chrome)  
 Z-W0007 RC4WD Mickey Thompson Classic Lock 1.9" Internal Beadlock Wheel  
 Z-W0022 RC4WD Mickey Thompson Classic Lock 1.7" Internal Beadlock Wheel  
 Z-W0027 RC4WD Dick Cepek Gun Metal 7 1.9" Internal Beadlock Wheels  
 Z-W0036 Stamped Steel 1.55" Beadlock Wheels (Black)  
 Z-W0037 Land Rover Disco Freestyle 1.9" Wheels (Gun Metal)  
 Z-W0051 Tarantula Scale 1.9" Internal Beadlock Wheel  
 Z-W0052 Jeep JK Stock Scale 1.9" Internal Beadlock Wheel  
 Z-W0060 RC4WD Dick Cepek Torque 1.9" Internal Beadlock Wheels  
 Z-W0073 Pro10 1.9" Steel Stamped Beadlock Wheel (Silver)  
 Z-W0074 Pro10 1.9" Steel Stamped Beadlock Wheel (Black)  
 Z-W0075 1.9" Landies Internal Beadlock Wheels  
 Z-W0076 1.55" Landies Vintage Stamped Steel Internal Beadlock Wheels  
 Z-W0080 RC4WD Dick Cepek DC-2 1.9" Internal Beadlock Wheels  
 Z-W0082 1.9" Vintage Cruiser Stamped Steel Beadlock Wheels  
 Z-W0119 Humvee 1.9" Scale Beadlock Wheel



Z-W0127 5 Lug Wagon 1.9" Steel Stamped Beadlock Wheels (White)  
 Z-W0128 6 Lug Wagon 1.9" Steel Stamped Beadlock Wheels (White)  
 Z-W0129 5 Lug Wagon 1.9" Steel Stamped Beadlock Wheels (Black)  
 Z-W0130 6 Lug Wagon 1.9" Steel Stamped Beadlock Wheels (Black)  
 Z-W0140 RC4WD Raceline Monster 1.9" Beadlock Wheels  
 Z-W0156 Onyx 1.9" Beadlock Wheels  
 Z-W0160 Octane 1.9" Beadlock Wheels  
 Z-W0162 Rugged 1.9" Scale Beadlock Wheels  
 Z-W0168 Revolution 1.9" Beadlock Wheels  
 Z-W0171 Bombshell 1.9" Beadlock Wheels (Black)  
 Z-W0175 Silver 1.9" Universal Beadlock Wheel (D1)  
 Z-W0177 Black 1.9" Universal Beadlock Wheel (D1)  
 Z-W0179 Silver 1.9" Universal Beadlock Wheel (D2)  
 Z-W0181 Black 1.9" Universal Beadlock Wheel (D2)  
 Z-W0185 RC4WD Raceline Monster 1.9" Beadlock Wheels (Black)  
 Z-W0189 RC4WD Raceline Monster 1.9" Beadlock Wheels (Black/Silver)  
 Z-W0198 RC4WD Mickey Thompson Classic Lock 1.55" Internal Beadlock Wheels  
 Z-W0199 RC4WD Raceline Revolver 1.55" Beadlock Wheels  
 Z-W0200 RC4WD Fuel Offroad Maverick 1.9" Beadlock Wheels  
 Z-W0201 RC4WD Raceline Monster 1.7" Beadlock Wheels (Black/Silver)  
 Z-W0202 RC4WD Fuel Offroad Trophy 1.9" Beadlock Wheels (Black/Gray)  
 Z-W0203 RC4WD Raceline Monster 1.7" Beadlock Wheels (Silver/Black)  
 Z-W0204 RC4WD Toyo 1.9" Beadlock Wheels  
 Z-W0205 RC4WD Raceline Havoc 1.55" Beadlock Wheels  
 Z-W0206 Vapor 1.55" Beadlock Wheels  
 Z-W0207 Phantom 1.9" Beadlock Wheels  
 Z-W0208 OEM Stamped Steel 1.9" Beadlock Wheels (White)  
 Z-W0209 RC4WD Fuel Offroad Maverick 1.7" Beadlock Wheels  
 Z-W0210 OEM Stamped Steel 1.9" Beadlock Wheels (Black)  
 Z-W0211 RC4WD Raceline Gunner 1.7" Beadlock Wheels  
 Z-W0212 OEM Stamped Steel 1.9" Beadlock Wheels (Plain)  
 Z-W0213 RC4WD Mickey Thompson Metal Series MM-366 1.7" Beadlock Wheels  
 Z-W0214 OEM Dually 1.55" Front Wheels  
 Z-W0215 OEM Dually 1.55" Rear Wheels  
 Z-W0216 RC4WD Mickey Thompson MT Metal Series MM245 2.2" Wheels  
 Z-W0217 RC4WD Ballistic Offroad Scythe 1.9" Beadlock Wheels  
 Z-W0218 RC4WD Fuel Offroad Anza 1.7" Beadlock Wheels  
 Z-W0219 RC4WD Mickey Thompson M/T Metal Series MM489 1.9" Wheels  
 Z-W0220 Rugged 1.9" Beadlock Wheels  
 Z-W0222 RC4WD Ballistic Offroad Anvil 1.55" Beadlock Wheels  
 Z-W0224 RC4WD Ballistic Offroad Havoc 1.7" Beadlock Wheels  
 Z-W0226 Skavenger 1.9" Beadlock Wheels  
 Z-W0227 TRO 1.7" Stamped Steel Beadlock Wheels (Black/Chrome)  
 Z-W0228 Breaker 1.9" Beadlock Wheels  
 Z-W0230 Spectre 1.9" Beadlock Wheels  
 Z-W0231 Shelby 1.9" Beadlock Wheels  
 Z-W0232 Stocker 1.7" Beadlock Wheels  
 Z-W0233 Truckie 1.55" Beadlock Wheels  
 Z-W0234 RC4WD Raceline Avenger 1.7" Wheels





- Z-W0237 RC4WD Mickey Thompson Metal Series MM-366 1.9" Beadlock Wheels
- Z-W0238 RC4WD Mickey Thompson Street Comp SC-5 1.9" Beadlock Wheels (Hyper Silver)
- Z-W0239 RC4WD RBP Glock 1.9" Beadlock Wheels
- Z-W0240 Deceptive 1.9" Beadlock Wheels
- Z-W0242 5 Lug Deep Dish Wagon 1.9" Steel Stamped Beadlock Wheels (White)
- Z-W0243 5 Lug Deep Dish Wagon 1.9" Steel Stamped Beadlock Wheels (Black)
- Z-W0244 5 Lug Deep Dish Wagon 1.9" Steel Stamped Beadlock Wheels (Plain)
- Z-W0246 RC4WD Dick Cepek Terrain 1.9" Beadlock Wheels
- Z-W0247 RC4WD Dick Cepek Matrix 1.55" Beadlock Wheels
- Z-W0248 RC4WD Dick Cepek Matrix 1.7" Beadlock Wheels
- Z-W0249 RC4WD Mickey Thompson MT Metal Series MM-164M 1.9" Wheels
- Z-W0250 T-Runner Classic 1.9" Beadlock Wheels
- Z-W0251 Gold Mesh 1.9" Beadlock Wheels





[www.rc4wd.com](http://www.rc4wd.com)



**RC4WD**

618 Blossom Hill Rd. Ste. 201  
San Jose, CA 95123  
Web: [www.rc4wd.com](http://www.rc4wd.com) - Email: [support@rc4wd.com](mailto:support@rc4wd.com)