

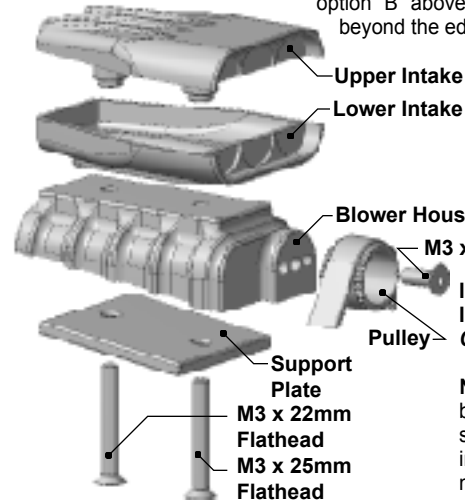
RPM #73412 & #73413 - Mock Intake & Blower Set

What's Included: 1 - Upper Intake, 1 - Lower Intake, 1 - Blower Housing, 1 - Front Pulley, 1 - M3 x 8mm flathead screw, 1 - M3 x 22mm flathead screw & 1 - M3 x 25mm flathead screw. (M3 flathead screws require a 2mm hex driver - not included.)

Installation Options: There are two simple ways to mount the **Mock Intake & Blower Set** to your vehicle. Please read both options before proceeding. **A)** The easiest option is to bolt the pulley to the blower, then carefully sand the bottom of the pulley "belt" until it blends at the same angle as the bottom of the blower. We recommend 320 grit or finer sand paper and place the paper on a flat surface. Cautiously slide the blower assembly back and forth until the bottom angles are identical. Afterwards, proceed to **"Installation"**. **B)** Using the **"Drill & Profile Template"** below, you may opt to cut out the area of the body where the "belt" from the pulley would normally drop below the body. This will give the most realistic appearance to the blower assembly. Simply cut out the area marked "Cut Out for Option B" in the template before proceeding.

Appearance: If you have the chrome version, you may use some 600 grit or finer sandpaper to remove the chrome finish off of the blower belt area of the **Pulley** to expose the black base material color. Carefully sand in the direction the belt would normally move (if it were real). It will give the appearance of a true blower belt. If you're extremely careful, you may be able to remove the finish from the front edges of the belt near the pulley with a sharp hobby knife for a belt that looks three dimensional.

Installation: 1) Decide on where you would like to install your new **Mock Intake & Blower Set** on your body, then cut out the **"Drill & Profile Template"** from the instruction sheet below. **2)** Measure your body from left to right and carefully mark the centerline. **3)** Using a pushpin or tack, press a pin through the cross in the center of one of the two screw hole locations of the template into the body along your centerline marks, then push a second pin through the center of the second screw hole location along that same centerline. **4)** Once the template is oriented to your liking, tape the edges in place, then remove the pins. Using a 3mm (or 1/8") diameter drill or body reamer, drill through the body in both locations. **5)** If you chose option **"A"** above, remove the template from the body and proceed to **"Assembly"** below. If you chose option **"B"** above, carefully cut out the body from the area removed from the template earlier, using extreme caution not to extend the cut beyond the edges of the template. It's best to stay away from the edges. You can always cut more later if you need to. Remove the template and proceed to **"Assembly"**.



Assembly: 1) Using the included M3 x 8mm flathead screw, bolt the **Pulley** to the **Blower Housing** as shown on the image to the left. **2)** From the underside of the body, slip both of the longer flathead screws (see image for placement) through the **Support Plate** (use caution and note the angle of the holes in the plate - if the screws won't go straight up, rotate the plate 180° - **the 25mm screw must be in front**), then slip the screws through the body. The plate should sit fairly flat against the bottom of the body. **3)** Slide the **Blower / Pulley** assembly over the two screws, followed by the **Lower Intake Half**. **4)** Place the **Upper Intake Half** on top, aligning the posts with the **Lower Intake Half**, then screw the assembly together. **Caution: Do not overtighten the screws!**

Notes: Some bodies with heavy textures (such as truck beds - for our Monster Truck fans) may require longer screws, depending upon the area installed. The included screws will only work on relatively "flat" mounting areas (areas with limited curves & contours).

