

## Replacement Parts // Teileliste // Liste des pièces de rechange // Elenco dei ricambi

Part #	English	Deutsch	Français	Italiano
DYN4955	Fuze 130A Sensorless BL WP ESC: 4WD SCT 1/8	Fuze 130A Sensorlose BL WP ESC: 4WD SCT 1/8	Contrôleur Dynamite Fuze Brushless 130A étanche	ESC Fuze WP BL sensorless 130 A: 4WD SCT 1/8
DYNS1614	Fuze 550 BL 6-Pole Motor 2800kv	Fuze 550 BL 6-poliger Motor 2800kv	Moteur Dynamite Fuze Brushless 550 2800Kv 6 pôles	Motore BL Fuze 550 6 poli 2800 Kv
LOS230013	Body Button Base & Top (22): Baja Rey	Body Button unten und oben (22): Baja Rey	Baja Rey - Vis, rondelles et bouchons (22)	Viti, rondelle e cappucci di protezione (22): Baja Rey
LOS230027	Roll Cage, Sides, L & R: Rock Rey	Überrollbügelteile links und rechts: Baja Rey	Baja Rey - Faces latérales gauche et droite de l'arceau cage	Parti laterali roll cage D&S: Baja Rey
LOS230028	Roll Cage, Roof, Front: Rock Rey	Überrollkäfig, Dach, Vorderseite: Rock Rey	Rock Rey - Cage, toit, avant	Roll cage, tetto, anteriore: Rock Rey
LOS230029	RR Tower Sup, X-Bar, Mud Guards: Rock Rey	RR Tower Sup, X-Balken, Schmutzfänger: Rock Rey	Rock Rey - Tour de suspension arrière, barre X, pare choc	Torretta sospensione posteriore, barra a X, parafranghi: Rock Rey
LOS230030	Body, Painted, Blue: Rock Rey	Karosserie, lackiert, blau: Rock Rey	Rock Rey - Carrosserie, peinte, bleu	Carrozzeria, verniciata, blu: Rock Rey
LOS230031	Body, Painted, Yellow: Rock Rey	Karosserie, lackiert, gelb: Rock Rey	Rock Rey - Carrosserie, peinte, jaune	Carrozzeria, verniciata, giallo: Rock Rey
LOS230032	Interior Panel, Painted: Rock Rey	Innenpanel, lackiert: Rock Rey	Rock Rey - Panneau de carrosserie intérieur, peinte	Pannello carrozzeria interno, verniciato: Rock Rey
LOS231005	Rear Bulkhead, Fan Panel, Mudguards: Baja Rey	Lüfterpanel, Schmutzfänger: Baja Rey	Baja Rey - Cloison arrière, ventilateur et bavettes	Paratia post., fan panel, parafrango: Baja Rey
LOS231006	Battery Tray, Door, Lock, 2S Spacer: Baja Rey	Akkualter und Klappe, 2S Distanzstück: Baja Rey	Baja Rey - Support batterie, trappe, verrou et cales 2S	Vano batteria, portello, chiusura, distanziale 2S: Baja Rey
LOS231007	FR Upper Arm/Shock Mount, RR Chassis Brace: Baja Rey	Stoßdämpferbefestigung hinten mit Chassishalter: Baja Rey	Baja Rey - Triangle supérieur/fixation d'amortisseur avant, renfort arrière de châssis	Braccetto superiore ant. / supporto ammortizz., trapezio post.: Baja Rey
LOS231008	Servo Mount, Steering Servo Set Plastic: Baja Rey	Servohalter: Baja Rey	Baja Rey - Support servo, servo de direction plastique	Supporto servo, set servo sterzo in plastica: Baja Rey
LOS231010	Chassis Plate & Motor Cover Plate: Baja Rey	Chassisplatte und Motorabdeckung: Baja Rey	Baja Rey - Platine de châssis et couvercle moteur	Piastra telaio & piastra copertura motore: Baja Rey
LOS231011	Center Chassis Brace & Standoffs: Baja Rey	Chassishalter und Distanzstücke: Baja Rey	Baja Rey - Renfort central de châssis et entretoises	Montanti telaio centrali con distanziali: Baja Rey
LOS231012	Motor Mount: Baja Rey	Motorhalter: Baja Rey	Baja Rey - Support moteur	Supporto motore: Baja Rey
LOS231013	Steering Hardware Set: Baja Rey	Zubehörsset Lenkung: Baja Rey	Baja Rey - Set d'accessoires de direction	Set hardware sterzo: Baja Rey
LOS231021	FR Bumper/Skid Plate & Support: Rock Rey	FR-Stoßdämpfer/Gleitplatte und -träger: Rock Rey	Rock Rey - Pare choc avant/protection et support	Paraurti anteriore/piastra protettogtelaio e supporto: Rock Rey
LOS231022	Front Shock Tower, Brace, Cmr Link Mnt: Rock Rey	Stoßdämpferbrücke vorne, Halterung, Cmr Verb.-Mnt: Rock Rey	Rock Rey - Support d'amortisseurs av, protection et support biellette de carrossage	Torretta ammortizzatore anteriore, trapezio, supporto camber link: Rock Rey
LOS232001	Axle Housing Set, Rear: Baja Rey	Achsgehäuse hinten: Baja Rey	Baja Rey - Carter de pont arrière	Set alloggiamento asse posteriore: Baja Rey
LOS232002	Center Transmission Housing: Baja Rey	Achsgehäuse mitte: Baja Rey	Baja Rey - Boîtier de transmission centrale	Scatola trasmissione centrale: Baja Rey
LOS232003	Front Gear Box/Bulkhead: Baja Rey	Getriebegehäuse mit Halter: Baja Rey	Baja Rey - Set de carters de transmission avant/Cellule	Scatola ingranaggio anteriore / paratia: Baja Rey
LOS232004	HD Diff Housing & Internals: Baja Rey	Differentialgehäuse mit Einsätzen: Baja Rey	Baja Rey - Corps de différentiel renforcé et éléments internes	Scatola diff. HD ed parti interne: Baja Rey
LOS232005	Rear Driveshaft Set: Baja Rey	Antriebswelle hinten: Baja Rey	Baja Rey - Tiges de cardans arrière	Set trasmissione posteriore: Baja Rey
LOS232006	Hex, Rotor, Caliper & Pin Set (4): Baja Rey	Scheibenbremse mit Bremssattel Vorne/Hinten: Baja Rey	Baja Rey - Hexagone, rotor, mâchoires et goupilles	Set esagone, rotore, spessore e perno: Baja Rey
LOS232007	Center Transmission Gear Set: Baja Rey	Getriebebeset Mitte: Baja Rey	Baja Rey - Set de pignons de transmission centrale	Set ingranaggio trasmissione centrale: Baja Rey
LOS232010	Center Drive Shaft: Baja Rey	Antriebswelle Mitte: Baja Rey	Baja Rey - Cardan central	Albero di trasmissione centrale: Baja Rey
LOS232011	Rear Diff Locker: Baja Rey	Differentialsperre hinten: Baja Rey	Baja Rey - Verrou de diff arrière	Diff. locker posteriore: Baja Rey
LOS232012	Center Outdrive Set: Baja Rey	Antriebsklaue mitte: Baja Rey	Baja Rey - Set de noix de cardans centraux	Set trascintore centrale: Baja Rey
LOS232014	Rear Axle Shaft Set: Baja Rey	Hinterachswellenset: Baja Rey	Baja Rey - Axe de roues arrière	Set semiasse posteriore: Baja Rey
LOS232019	42T Ring & 12T Pinion Gear: Baja Rey/Rock Rey	Stirnrad 42 Zähne & 12 er Ritzel: Baja Rey/Rock Rey	Baja Rey/Rock Rey - Anneau 42T et Pignon 12T avant/arrière	42T ingranaggio & 12T pignone ant./post.: Baja Rey/Rock Rey
LOS232020	Front Axle Set: Rock Rey	Vorderes Achsenet: Rock Rey	Rock Rey - Axe de roues avant	Set asse anteriore: Rock Rey
LOS232021	Front Sliders: Rock Rey	Vordere Schieber: Rock Rey	Rock Rey - Sliders avant	Steli forcilla anteriore: Rock Rey
LOS232022	Front Outdrive Shaft: Rock Rey	Vordere Flexwelle: Rock Rey	Rock Rey - Axe de transmission avant	Albero trascinatore anteriore: Rock Rey
LOS233001	Shock Ends, Tops, Piston: Baja Rey	Stoßdämpferendteile, Kolben: Baja Rey	Baja Rey - Chapes d'amortisseurs, bouchons supérieurs et pistons	Terminali, tappi, pistoni ammortizz.: Baja Rey
LOS233002	FR/RR Shock Body & Collar Set: Baja Rey	Stoßdämpfergehäuse, Distanzringe v/h: Baja Rey	Baja Rey - Corps d'amortisseurs avant/arrière avec bague	Corpo ammortizz. ant./post & collarino
LOS233003	FR/RR Shock Shaft Set & Hardware: Baja Rey	Dämpfer Kolbenstange mit Zubehör: Baja Rey	Baja Rey - Tiges d'amortisseurs avant/arrière avec visserie	Stelo ammortizz. ant./post e hardware: Baja Rey
LOS233004	FR/RR Shock Seal & Limiter Set: Baja Rey	Stoßdämpferdichtung und Begrenzer: Baja Rey	Baja Rey - Joint d'amortisseurs avant/arrière avec limiteur	Set guarnizione ammortizz. ant./post. e limitatore: Baja Rey
LOS233005	Front and Rear Spring Set: Baja Rey	Dämpferfedern v/h: Baja Rey	Baja Rey - Ressort avant/arrière	Set molle ant./post.: Baja Rey
LOS234002	Shock Tower, Upper/Track Rod Mnts, Rear: Baja Rey	Dämpferbrücke hinten: Baja Rey	Baja Rey - Support d'amortisseurs, tirants	Torretta ammortizz., supporti tirante sterzo superiore post.: Baja Rey
LOS234003	Trailing Arm, Steering, Upper, Drag Link St: Baja Rey	Lenkgestänge: Baja Rey	Baja Rey - Tringlerie de direction supérieure	Braccetto longitudinale, sterzo, superiore, tirante sterzo: Baja Rey
LOS234006	Front & Rear Sway Bar Links: Baja Rey	Querlenkerverbinder vorne: Baja Rey	Baja Rey - Tringlerie barre anti-roulis avant/arrière	Collegamenti barra antitorzione ant./post.: Baja Rey
LOS234007	Front Hinge Pins & Brace Set: Baja Rey	Querlenkerstifte und Halter: Baja Rey	Baja Rey - Renfort de cellule avant	Perni braccetti ant. e set piastriane
LOS234011	Front Suspension Arm Set: Rock Rey	Vorderradaufhängungsarm Set: Rock Rey	Rock Rey - Bras de suspension avant	Set braccetti sospensione anteriore: Rock Rey
LOS234012	Caster Block Set: Rock Rey	Radblockset: Rock Rey	Rock Rey - Etriers porte fusées	Set caster block: Rock Rey
LOS234013	Steering Spindle Set: Rock Rey	Lenkspindelset: Rock Rey	Rock Rey - Fusées	Fusello sterzo: Rock Rey
LOS234014	Camber & Steering Link Set: Rock Rey	Radsturz- und Lenkgliedset: Rock Rey	Rock Rey - Rotules de carrossage et direction	Set campanatura e collegamenti sterzo: Rock Rey
LOS234015	FR/RR Shock Body & Collar Set: Rock Rey	FR/RR Stoßdämpfer & Collar Set: Rock Rey	Rock Rey - Corps d'amortisseurs avant/arrière avec bague	Set corpo ammortizzatore ant./post. e collarino: Rock Rey
LOS235001	Cap Head Screws, M2 x 6mm (10)	Zylinderkopfschraube, M2 x 6mm (10)	Vis BTR, M2 x 6mm (10)	Viti testa a brugola, M2 x 6mm (10)
LOS235002	Cap Head Screws, M2.5 x 10mm (10)	Zylinderkopfschraube, M2.5 x 10mm (10)	Vis BTR, M2,5 x 10mm (10)	Viti testa a brugola, M2,5 x 10mm (10)
LOS235003	Cap Head Screws, M3 x 6mm (10)	Zylinderkopfschraube, M3 x 6mm (10)	Vis BTR, M3 x 6mm (10)	Viti testa a brugola, M3 x 6mm (10)
LOS235004	Cap Head Screws, M3 x 25mm (10)	Zylinderkopfschraube, M3 x 25mm (10)	Vis BTR, M3 x 25mm (10)	Viti testa a brugola, M3 x 25mm (10)
LOS235005	Button Head Screws, M2.5 x 6mm (10)	TLR Rundkopfschraube, M2.5 x 6mm (10)	Vis à tête bombée, M2,5 x 6mm (10)	Viti testa tonda, M2,5 x 6mm (10)
LOS235006	Button Head Screws, M2.5 x 20mm (10)	TLR Rundkopfschraube, M2.5 x 20mm (10)	Vis à tête bombée, M2,5 x 20mm (10)	Viti testa tonda, M2,5 x 20mm (10)
LOS235007	Button Head Screws, M4 x 12mm (10)	TLR Rundkopfschraube, M4 x 12mm (10)	Vis à tête bombée, M4 x 12mm (10)	Viti testa tonda, M4 x 12mm (10)
LOS235008	Flat Head Screws, M2.5 x 5mm (10)	Flachkopfschraube, M2.5 x 5mm (10)	Vis FHC, M2,5 x 5mm (10)	Viti a testa piatta, M2,5 x 5mm (10)

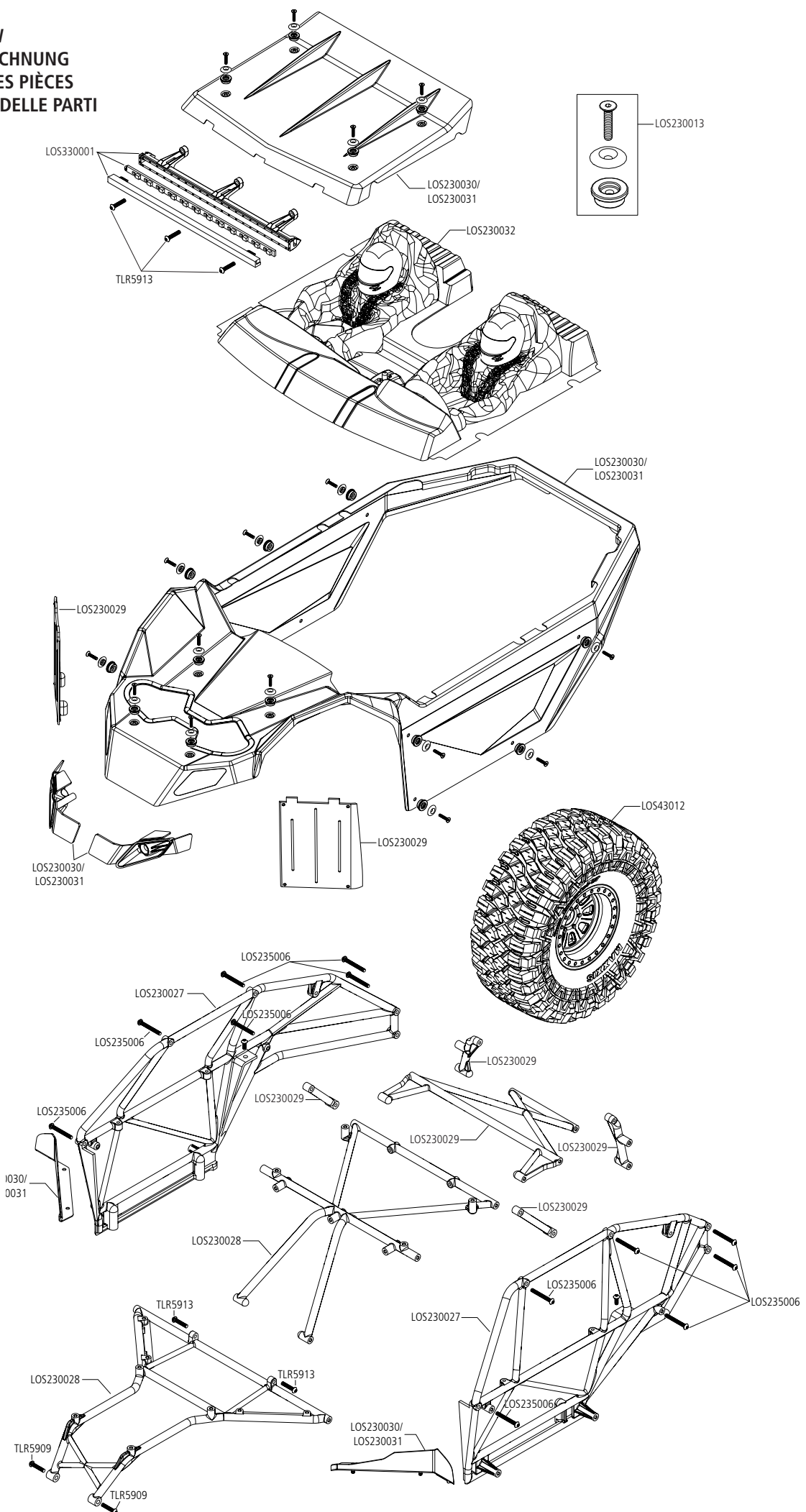
## Replacement Parts // Teileliste // Liste des pièces de rechange // Elenco dei ricambi

Part #	English	Deutsch	Français	Italiano
LOS235009	Flat Head Screws, M2.5 x 8mm (10)	Flachkopfschraube, M2.5 x 8mm (10)	Vis FHC, M2,5 x 8mm (10)	Viti a testa piatta, M2,5 x 8mm (10)
LOS235010	Flat Head Screws, M2.5 x 12mm (10)	Flachkopfschraube, M2.5 x 12mm (10)	Vis FHC, M2,5 x 12mm (10)	Viti a testa piatta, M2,5 x 12mm (10)
LOS235011	Set Screws, M3 x 3mm Cup Point (10)	Ringschneide Gewindestift, M3 x 3 (10)	Vis à tête creuse auto-taraudeuses M3 x 3 (10)	Set viti a grano M3 x 3 mm (10)
LOS235012	Set Screws, M4 x 4mm Cup Point (10)	Ringschneide Gewindestift, M4 x 4 (10)	Vis à tête creuse auto-taraudeuses M4 x 4 (10)	Set viti a grano M4 x 4 mm (10)
LOS235013	Flat Nut, M3 x 0.5 x 5mm (10)	Flachmutter, M3 x 0.5 x 5mm (10)	Écrou plat, M3 x 0,5 x 5mm (10)	Dado piatto, M3 x 0,5 x 5mm (10)
LOS235014	Lock Nut, M2 x 0.4 x 4mm (10)	Muttern Nylock angeflanscht, M2 x 0.4 x 4mm (10)	Écrou auto-freiné M2 x 0,4 x 4mm (10)	Dadi autobloccanti M2 x 0,4 x 4 mm (10)
LOS235015	Lock Nut, Flanged M5 x 0.8 Serrated (10)	Muttern Nylock angeflanscht gezackt, M5 x 0.8 (10)	Écrou auto-freiné épaulé strié M5 x 0,8mm (10)	Dadi a colletto dentato M5 x 0,8 (10)
LOS235023	Hinge Pin Screws, FR (10): Rock Rey	Scharnierstiftschrauben, FR (10): Rock Rey	Rock Rey - Vis de cellule avant (10)	Viti perni cerniere ant. (10): Rock Rey
LOS239001	Fluorescent Yellow Decal Sheet: Rock Rey	Aufkleberbogen/Fluor Gelb: Rock Rey	Rock Rey - Planche de décoration jaune fluo	Decalcomanie giallo fluorescente: Rock Rey
LOS239002	Electric Blue Decal Sheet: Rock Rey	Aufkleberbogen/Blau: Rock Rey	Rock Rey - Planche de décoration bleue électrique	Decalcomanie blu elettrico: Rock Rey
LOS330001	LED Roof Light Bar Set: Baja Rey	LED-Leuchtbalkenset, Dach: Baja Rey	Baja Rey - Rampe lumineuse DEL toit	Barra luci LED tetto: Baja Rey
LOS43012	Maxxis Creepy Crawler LT Mounted 2.35" x 5.75" - 2.2	Maxxis Creepy Crawler LT montiert	Pneus montés Maxxis Creepy Crawler LT	Maxxis Creepy Crawler LT montato
LOS43013	Maxxis Creepy Crawler LT Tire 2.35" x 5.75" - 2.2"	Maxxis Creepy Crawler LT Reifen	Pneus Maxxis Creepy Crawler LT	Pneumatico Maxxis Creepy Crawler LT
LOS43014	Wheels 2.2" (4): Rock Rey	Räder 2.2" (4): Rock Rey	Rock Rey - Roues 2,2" (4)	Ruote 2,2" (4): Rock Rey
LOSA6250	Set Screws, 4mm & 5mm (6)	Madenschraube, 4mm & 5mm (6)	Vis STHC, 4mm & 5mm (6)	Grano, 4mm & 5mm (6)
LOSA6937	5 x 10mm Shielded Ball Bearing (2)	5x10mm Kugellager mit Staubschutzscheibe (2)	Roulements épaulés 5 x 10mm (2)	Cuscinetto a sfera schermato 5 x 10 mm (2)
LOSA6940	6 x 12mm Sealed Ball Bearing (4)	6 x 12mm Kugellager mit Gummiabdeckung (4)	Roulements étanches 6 x 12mm (4)	Cuscinetto a sfera sigillato 6 x 12 mm (2)
LOSA6956	12 x 18 x 4mm Ball Bearing (2)	12 x 18 x 4mm Kugellager (2)	Roulements 12 x 18 x 4mm (2)	Cuscinetto a sfera 12 x 18 x 4 mm (2)
LOSA6957	10 x 15 x 4mm BB (2) with Nylon Retainer	10 x 15 x 4mm Kugellager (2) with Nylon Retainer	Roulements 10 x 15 x 4mm flasque nylon (2)	Cuscinetto a sfera 10 x 15 x 4 mm con fermo di nylon (2)
LOS83008	3 x 6 x 2.5mm Ball Bearing (2)	3 x 6 x 2.5mm Kugellager (2)	Roulements 3 x 6 x 2,5mm (2)	Cuscinetto a sfera 3 x 6 x 2,5 mm (2)
SPMS612HV	12KG Servo, WP, Metal, 23T	12KG WP-Metall-Servo 23T	Servo 12kg à pignons métal, étanche, 23T	Servo 12 kg, resistente all'acqua, metallo, 23T
SPMSRS4220	SRS4220 DSMR AVC Surface Rx	SRS4220 DSMR AVC Sender	Récepteur SRS4220 DSMR AVC	Radio AVC DSMR SRS4220
TLR5903	Button Head Screws, M3 x 10mm (10)	Halbrundschräube, M3 x 10mm (10)	Vis à tête bombée, M3 x 10mm (10)	Viti a testa tonda, M3 x 10mm (10)
TLR5904	Button Head Screws, M3 x 12mm (10)	Halbrundschräube, M3 x 12mm (10)	Vis à tête bombée, M3 x 12mm (10)	Viti a testa tonda, M3 x 12mm (10)
TLR5909	Button Head Screws, M3 x 16mm (10)	Halbrundschräube, M3 x 16mm (10)	Vis à tête bombée, M3 x 16mm (10)	Viti a testa tonda, M3 x 16mm (10)
TLR5910	Button Head Screws, M3 x 14mm (10)	Halbrundschräube, M3 x 14mm (10)	Vis à tête bombée, M3 x 14mm (10)	Viti a testa tonda, M3 x 14mm (10)
TLR5911	Button Head Screws, M3 x 20mm (10)	Halbrundschräube, M3 x 20mm (10)	Vis à tête bombée, M3 x 20mm (10)	Viti a testa tonda, M3 x 20mm (10)
TLR5913	Button Head Screws, M2.5 x 12mm (10)	Halbrundschräube, M2.5 x 12mm (10)	Vis BHC, M2,5 x 12mm (10)	Viti a testa tonda, M2,5 x 12mm (10)
TLR5934	Cap Head Screws, M3 x 16mm (10)	Sechskantschraube, M3 x 16mm (10)	Vis CHC M3 x 16mm (10)	Viti a testa piatta M3 x 16mm (10)
TLR5961	Flathead Screws, M3 x 8mm (10)	Flachkopfschraube, M3 x 8mm (10)	Vis FHC, M3 x 8mm (10)	Viti a testa piatta, M3 x 8mm (10)
TLR5963	Flathead Screws, M3 x 12mm (10)	Flachkopfschraube, M3 x 12mm (10)	Vis FHC, M3 x 12mm (10)	Viti a testa piatta, M3 x 12mm (10)
TLR5964	Flathead Screws, M3 x 16mm (10)	Flachkopfschraube, M3 x 16mm (10)	Vis FHC, M3 x 16mm (10)	Viti a testa piatta, M3 x 16mm (10)
TLR5965	Flathead Screws, M3 x 20mm (10)	Flachkopfschraube, M3 x 20mm (10)	Vis FHC, M3 x 20mm (10)	Viti a testa piatta, M3 x 20mm (10)
TLR5965	Flathead Screws, M3 x 20mm (10)	Flachkopfschraube, M3 x 20mm (10)	Vis FHC, M3 x 20mm (10)	Viti a testa piatta, M3 x 20mm (10)
TLR6312	Locknut, M2.5 x .45 x 5mm (6)	Muttern Nylock angeflanscht, M2.5 x .45 x 5mm (6)	Ecrou auto-freiné M2,5 x 0,45 x 5mm (6)	Dadi autobloccanti, M2,5 x .45 x 5 mm (6)
TLR6313	Locknut, M3 x .5 x 5.5mm (10)	Muttern Nylock angeflanscht, M3 x 0.5 x 5.5mm (10)	Ecrou auto-freiné M3 x 0,5 x 5,5mm (10)	Dadi autobloccanti, M3 x .5 x 5,5 mm (10)
TLR6352	Washers, M3 (10)	TLR U-Scheibe, M3 (10)	Rondelles M3 (10)	Rondelle, M3 (10)
TLR74006	Silicone Shock Oil, 30wt, 2oz	Silikon-Stoßdämpferöl, 30 wt, 60 ml (2 oz)	Huile silicone d'amortisseur, 30wt, 60 ml	Olio al silicone per ammortizzatore, 30wt, 2oz
VTR246001	Screw Pin, Clip Post (10): Glamis Uno	Stiftschraube (10) GLU	Supports de clips avec goupilles (10): GLU	Perni viti clip (10): GLU

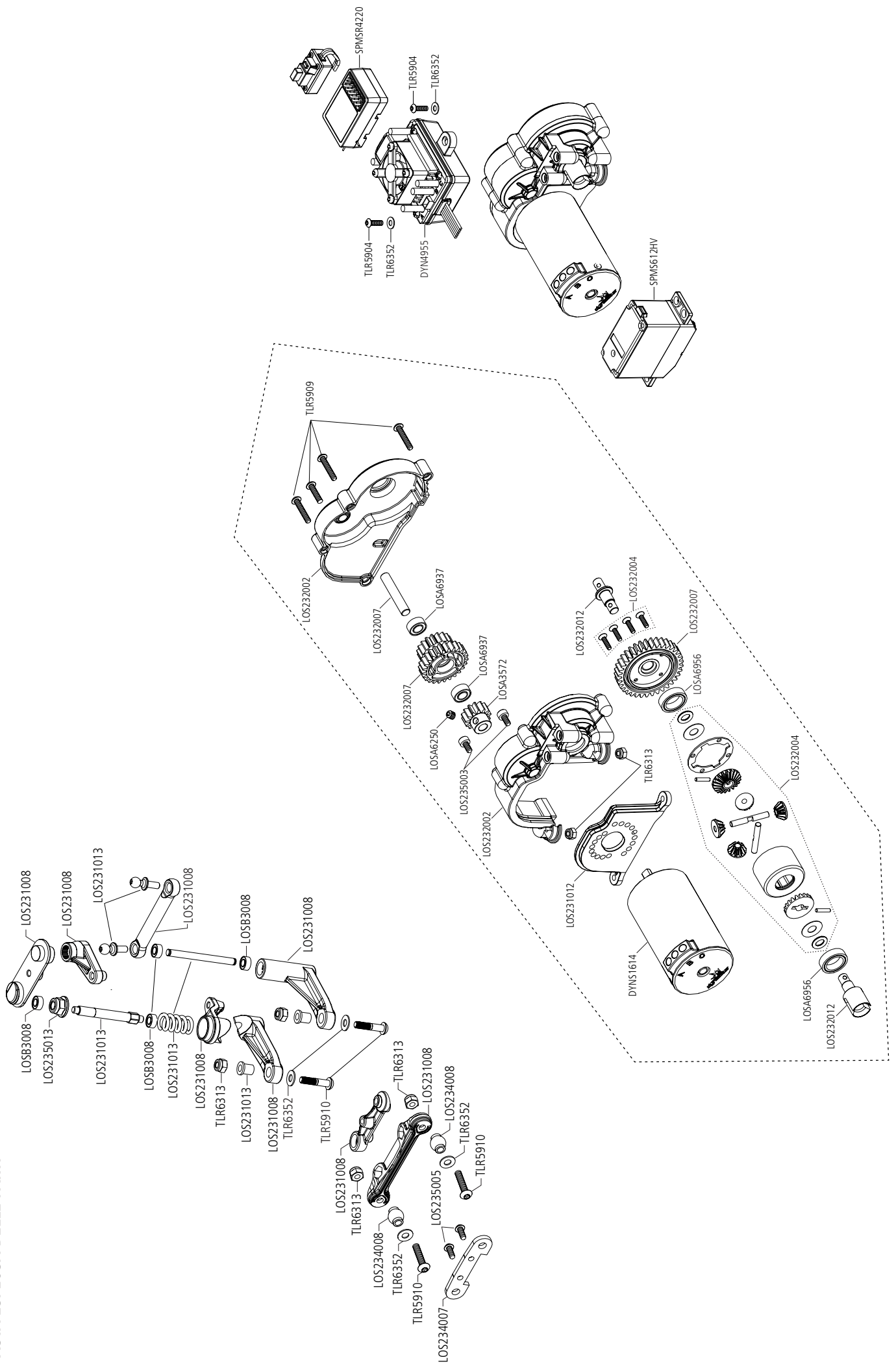
## Optional Parts // Optionale Bauteile // Pièces optionnelles // Pezzi opzionali

Part #	English	Deutsch	Français	Italiano
DYN9005EC	Reaction 7.4V 5000mAh 2S 30C LiPo Hardcase: EC3	Reaction 7,4 V 5000 mAh 2S 30C LiPo, Hardcasemit: EC3	Batterie Reaction Li-Po 2S 7,4V 5000mA 30C, boîtier rigide, prise EC3	Batteria LiPo hardcase Reaction 30C 2S 7,4V 5000 mAh: EC3
DYNB3803EC	Reaction 11.1V 5000mAh 3S 50C LiPo, Hardcase: EC3	Reaction 11,1 V 5000 mAh 3S 50C LiPo, Hardcasemit: EC3	Batterie Reaction Li-Po 3S 11,1V 5000mA 50C, boîtier rigide, prise EC3	Batteria LiPo hardcase Reaction 50C 3S 11,1 V 5000 mAh: EC3
DYNC2005CA	Prophet Sport LiPo 35W AC Charger	Prophet Sport LiPo 35 W AC-Ladegerät	Chargeur Prophet Sport AC Li-Po 35W	Caricabatteria AC LiPo Prophet Sport 35W
LOS330002	Body Set, Clear: Rock Rey	Karosserie Set: Rock Rey	Rock Rey - Carrosserie, transparente	Set carrozzeria trasparente
LOS331001	Aluminum Steering Servo Mount: Baja Rey	Aluminium Lenkservo Montage: Baja Rey	Baja Rey - Support de servo de direction aluminium	Supporto servocomando sterzo alluminio: Baja Rey
LOS331002	Aluminum Bellcrank Servo Saver Set: Baja Rey	Aluminium Umlenkhebel-Servo Sparer: Baja Rey	Baja Rey - Sauve servo levier aluminium	Set salvaservo squadrette alluminio: Baja Rey
LOS331004	Aluminum Rear Upper Link & Space Set: Baja Rey	Aluminium hinteres oberes Glied- und Abstandset: Baja Rey	Baja Rey - Tirant supérieur arrière et entretoise aluminium	Set collegamento e distanziale superiore posteriore alluminio: Baja Rey
LOS331005	Aluminum Servo Arm, 23T: Baja Rey	Servoarm, Aluminium, 23T: Baja Rey	Baja Rey - Palonnier de servo, alu, 23T	Squadretta servo, alluminio, 23T: Baja Rey
LOS331006	Aluminum Servo Arm, 24T: Baja Rey	Servoarm, Aluminium, 24T: Baja Rey	Baja Rey - Palonnier de servo, alu, 24T	Squadretta servo, alluminio, 24T: Baja Rey
LOS331007	Aluminum Servo Arm, 25T: Baja Rey	Servoarm, Aluminium, 25T: Baja Rey	Baja Rey - Palonnier de servo, alu, 25T	Squadretta servo, alluminio, 25T: Baja Rey
LOS332001	AL Lightened Hex Adapter Set, 12mm x 6mm: Baja Rey	AL erleuchtetes Hex-Adapterset, 12 mm x 6 mm: Baja Rey	Baja Rey - Hexagones aluminium, 12mm x 6mm	Adattatore esagonale allum. alleggerito, 12 mm x 6 mm: Baja Rey
LOS334002	AL Axle Housing Upper Track Rod Mount: Baja Rey	AL Achsgehäuse Obere Spurstangen-Montage: Baja Rey	Baja Rey - Carter de pont supérieur aluminium Track Rod Mount	Supporto tirante sterzo superiore allum. alloggiamento asse: Baja Rey
LOS334003	AL Upper/Lower Blkhd Track Rod Mount St: Baja Rey	AL Blkhd Spurstangen-Montage oben/unten St: Baja Rey	Baja Rey - Cellule supérieure/inférieure aluminium Track Rod Mount	Supporto tirante sterzo allum. paratia sup./inf.: Baja Rey
LOS334004	Aluminum Rear Shock Tower Set: Baja Rey	Heck Stoßdämpferbrücke Aluminium: Baja Rey	Baja Rey - Support d'amortisseurs arrière en alu	Torre ammortizzatore posteriore, allum: Baja Rey
LOS334006	Aluminum Lower Rear Trailing Arm Set: Baja Rey	Aluminium Hinterachsträgerset unten: Baja Rey	Baja Rey - Bras arrière inférieur aluminium	Braccetto longitudinale inf. alluminio: Baja Rey
LOSA3570	1.0 Module Pitch Pinion, 10T: 8E, SCTE	1.0 Modul Getriebegrad, 10T: 8E, SCTE	8E, SCTE - Pignon module 1.0, 10T	Pignone 10T modulo 1: 8E, SCTE
LOSA3571	1.0 Module Pitch Pinion, 11T: 8E, SCTE	1.0 Modul Getriebegrad, 11T: 8E, SCTE	8E, SCTE - Pignon module 1.0, 11T	Pignone 11T modulo 1: 8E, SCTE
TLR76000	Tire Glue, Standard	Reifenkleber, Standard	Colle à pneus, standard	Colla pneumatici, standard
TLR76004	TLR Lok, Threadlock, Blue	TLR Lok, Schraubensicherung, Blau	Frein filet TLR Lok, bleu	Frenafilletti blu TLR Lok

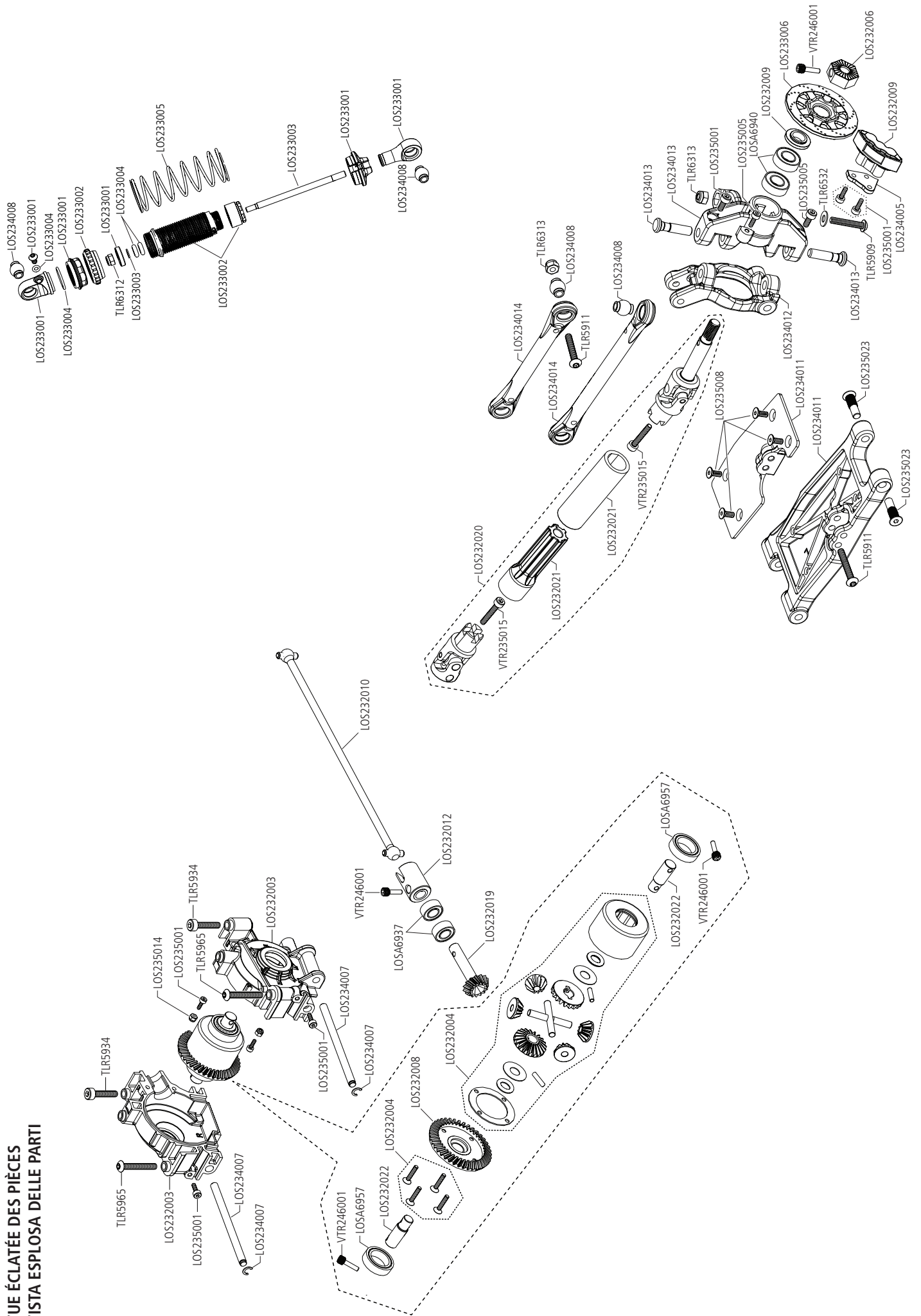
EXPLODED VIEW  
EXPLOSIONSZEICHNUNG  
VUE ÉCLATÉE DES PIÈCES  
VISTA ESPLOSA DELLE PARTI



EXPLODED VIEW  
 EXPLOSIONSZEICHNUNG  
 VUE ÉCLATÉE DES PIÈCES  
 VISTA ESPLOSA DELLE PARTI



**EXPLODED VIEW  
EXPLOSIONSZEICHNUNG  
VUE ÉCLATÉE DES PIÈCES  
VISTA ESPLOSA DELLE PARTI**



**CHASSIS EXPLODED VIEW  
 CHASSIS EXPLOSIONSZEICHNUNG  
 VUE ÉCLATÉE DU CHÂSSIS  
 VISTA ESPLOSA DEL TELAIO**



