

RC4WD

1/14

BEAST



6X6 TRUCK KIT

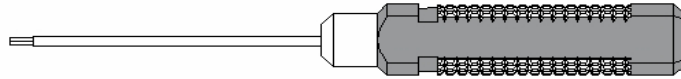




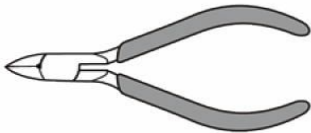
Recommended Tools



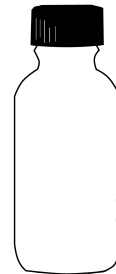
Modelling / Craft knife



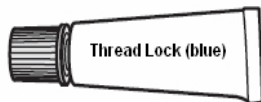
Hex drivers/(2.5mm、2mm、1.5mm)



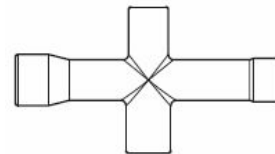
Side cutters



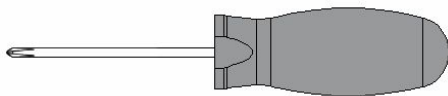
Styrene Glue



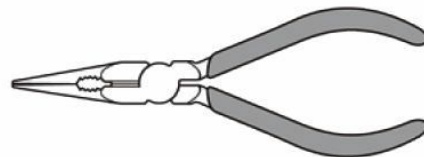
Thread Lock



Cross Wrench



Cross head screwdriver (small)



Long Nose Pliers

Tips for Assembly

It is recommended that that body parts are painted with Acrylic Lacquer, or Enamel.

Test fit parts before applying glue and use glue sparingly.

Use good quality hex drivers to avoid stripping screw heads.

Use thread lock when putting metal screws into metal parts.

Do not use instant adhesive.

RC4WD Limited Warranty

All RC4WD products are warranted to be free of defects in materials and workmanship when new. Our limited warranty does not cover damages due to normal wear and tear, user error of assembly or installation, user modifications, user's failure to perform routine maintenance, addition of aftermarket parts or option parts. This warranty lasts 30 days after arrival for original purchaser. In the event of a defect under this warranty, RC4WD will, at our discretion, replace the product, provided our inspection indicates that an original defect exists. RC4WD reserves the right to replace any product which is no longer available with a product of comparable value and function. If RC4WD determines the repair is not covered under warranty guidelines, we will contact you to discuss your options. If you have any questions, please contact us via email at support@rc4wd.com.

Important Notes-General

This kit only suitable for 16 years of age.

Read carefully and fully understand the instructions before commencing assembly.

When using tools and handle the small parts. Extra care should be taken to avoid personal injury.

Take care when building, as some parts may have sharp edges.

Read and follow instructions supplied with paints and / or cement, if used(not included in kit).

Follow the operating instructions for radio equipment at all times.

Keep the wheels of the model off the ground when checking operation of the radio equipment.

Never disassemble battery or cut battery cables.

Please read the instruction manual before you begin.

6x6 Body

Z-B0099-1

Z-B0099-2/(H2)

Z-B0099-3/(55mm)

Z-B0099-4

Z-B0099-5

This diagram shows the assembly of the 6x6 body. Part Z-B0099-1 is the main chassis. Z-B0099-2 is a trapezoidal piece that fits into the top of the chassis. Z-B0099-3 is a thin rectangular strip that fits into a slot on the side of the chassis. Z-B0099-4 is a circular ring that fits around the bottom edge of the chassis. Z-B0099-5 is a complete sub-assembly that fits into the rear of the chassis.

6x6 Body

Z-B0105-1

Z-B0105-2

Z-B0105-3

Z-B0105-4

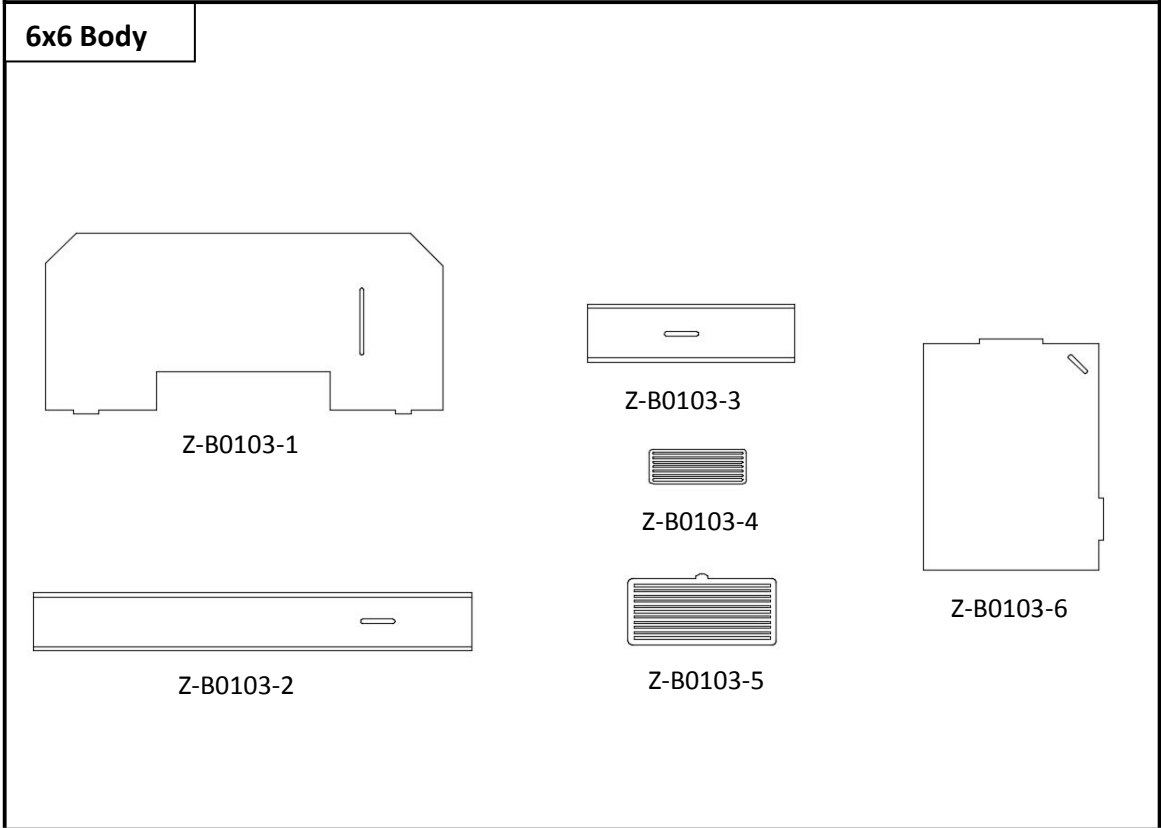
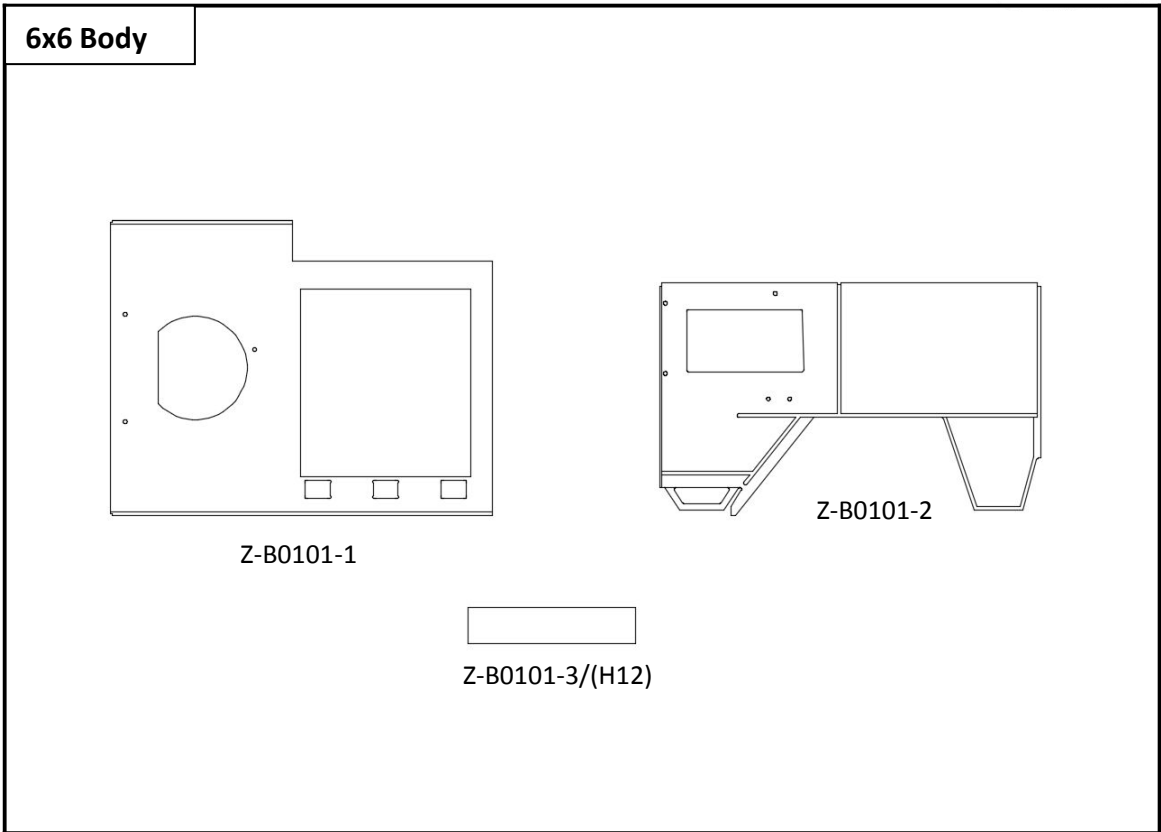
Z-B0105-5

Z-B0105-6

Z-B0105-7

RC4WD

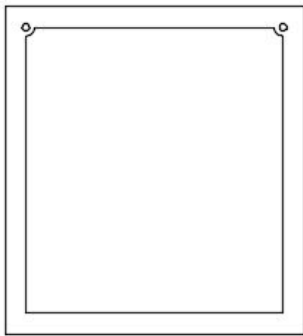
This diagram shows the assembly of the 6x6 body. Part Z-B0105-1 is the main chassis. Z-B0105-2 is a small shield-shaped piece. Z-B0105-3 is a circular piece with a power symbol. Z-B0105-4 is a large rectangular piece with three rectangular cutouts. Z-B0105-5 is a small rectangular piece. Z-B0105-6 is a square frame. Z-B0105-7 is a rectangular piece with the RC4WD logo.



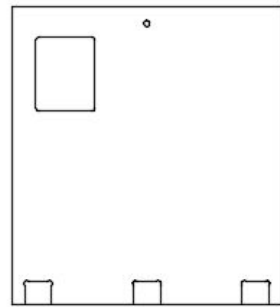
6x6 Body



Z-B0095-1



Z-B0095-2

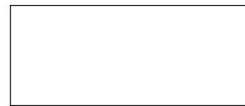


Z-B0095-3

6x6 Body



Z-B0097-1



Z-B0097-3/(H15)



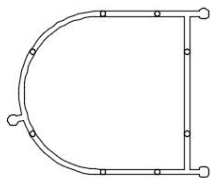
Z-B0097-6



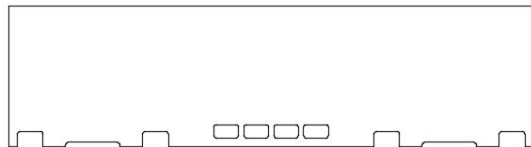
Z-B0097-4/(H10)



Z-B0097-7

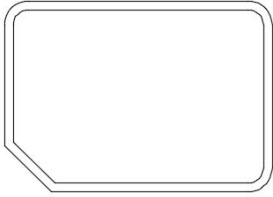


Z-B0097-2

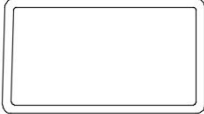


Z-B0097-5

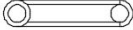
6x6 Body




Z-B0091-1




Z-B0091-2



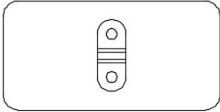
Z-B0091-3



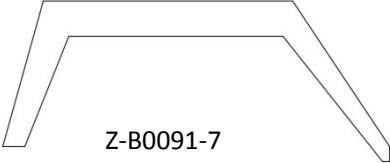
Z-B0091-4/(H7)




Z-B0091-5/(31mm)



Z-B0091-6




Z-B0091-7

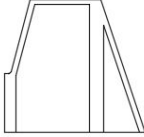


Z-B0091-8


6x6 Body



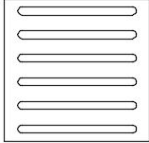
Z-B0089-1




Z-B0089-2/(H3)




Z-B0089-3/(H8)



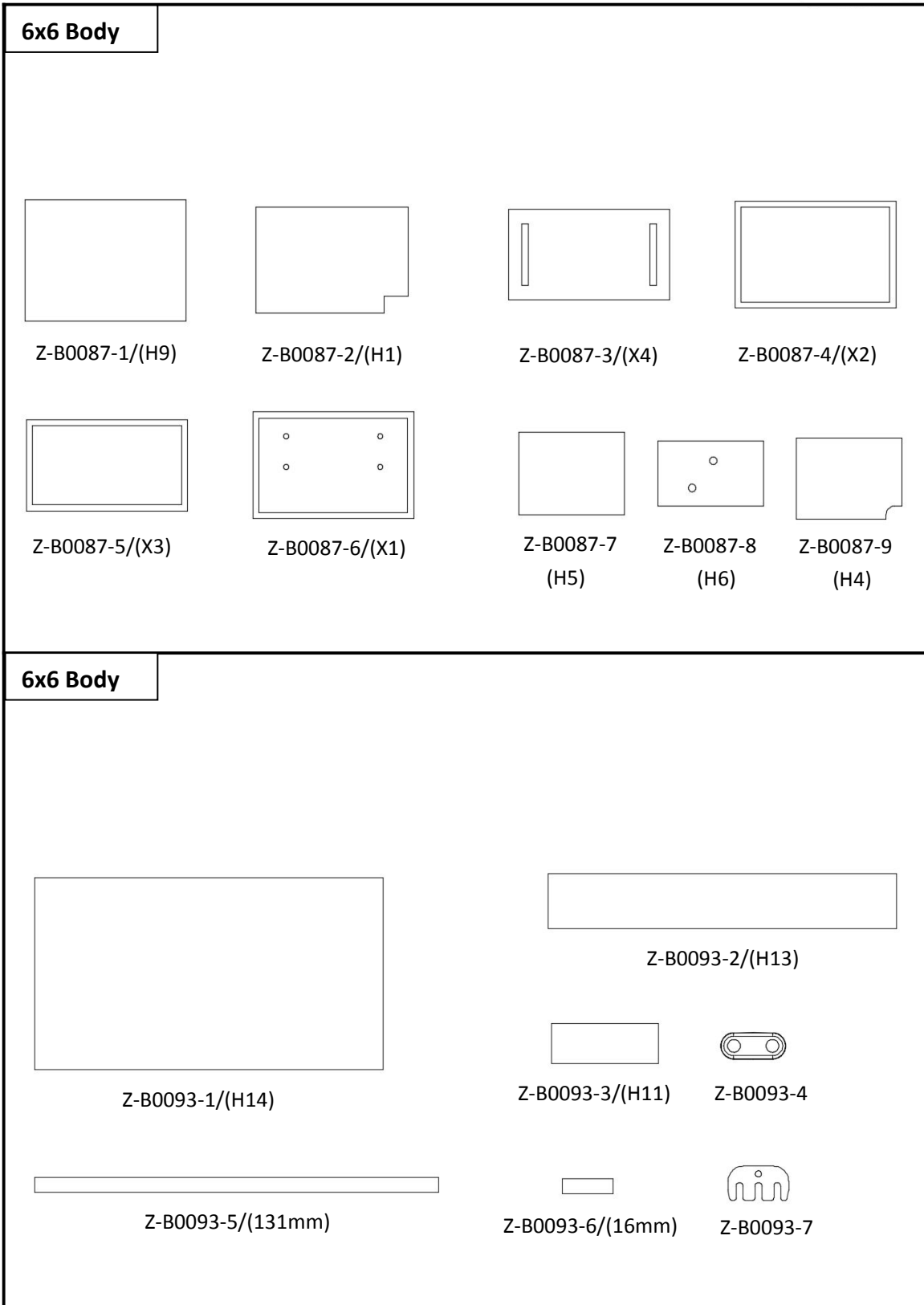
Z-B0089-4/(X5)



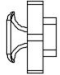



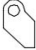



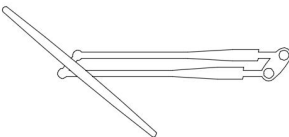
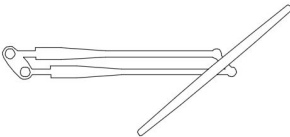


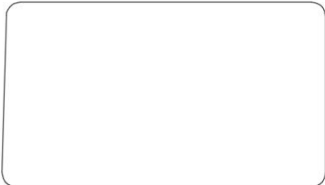


Z-B0089-5/(65mm)

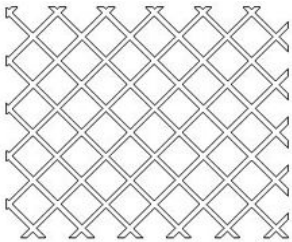


Z-B0089-6

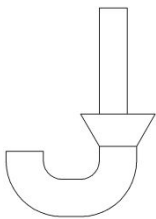


6x6 Body	 <p>Z-B0085-1/(110mm)</p>  <p>Z-B0085-2</p>  <p>Z-B0085-3</p>  <p>Z-B0085-4/(187mm)</p>  <p>Z-B0085-5</p>  <p>Z-B0085-6</p>  <p>Z-B0085-7</p>  <p>Z-B0085-8</p>  <p>Z-B0085-9</p>  <p>Z-B0085-10</p>	
6x6 Body	 <p>Z-B0107-1</p>  <p>Z-B0107-2</p>  <p>Z-B0107-3</p>	
6x6 Body	 <p>Z-S1531-1</p>  <p>Z-S1531-2</p>	

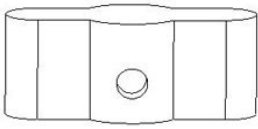
6x6 Body




Z-S1519-1




Z-S1519-2



Z-S1519-3




Z-S1519-4




Z-S1519-5

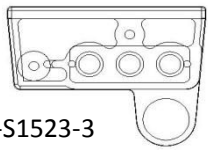
6x6 Body



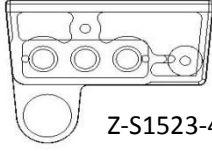
Z-S1523-1




Z-S1523-2



Z-S1523-3

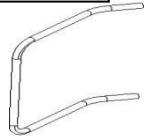


Z-S1523-4




Z-S1523-5


6x6 Body




Z-S1525-1



Z-S1525-2

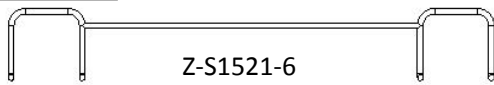


Z-S1525-3

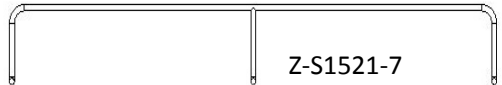


Z-S1525-4


6x6 Body



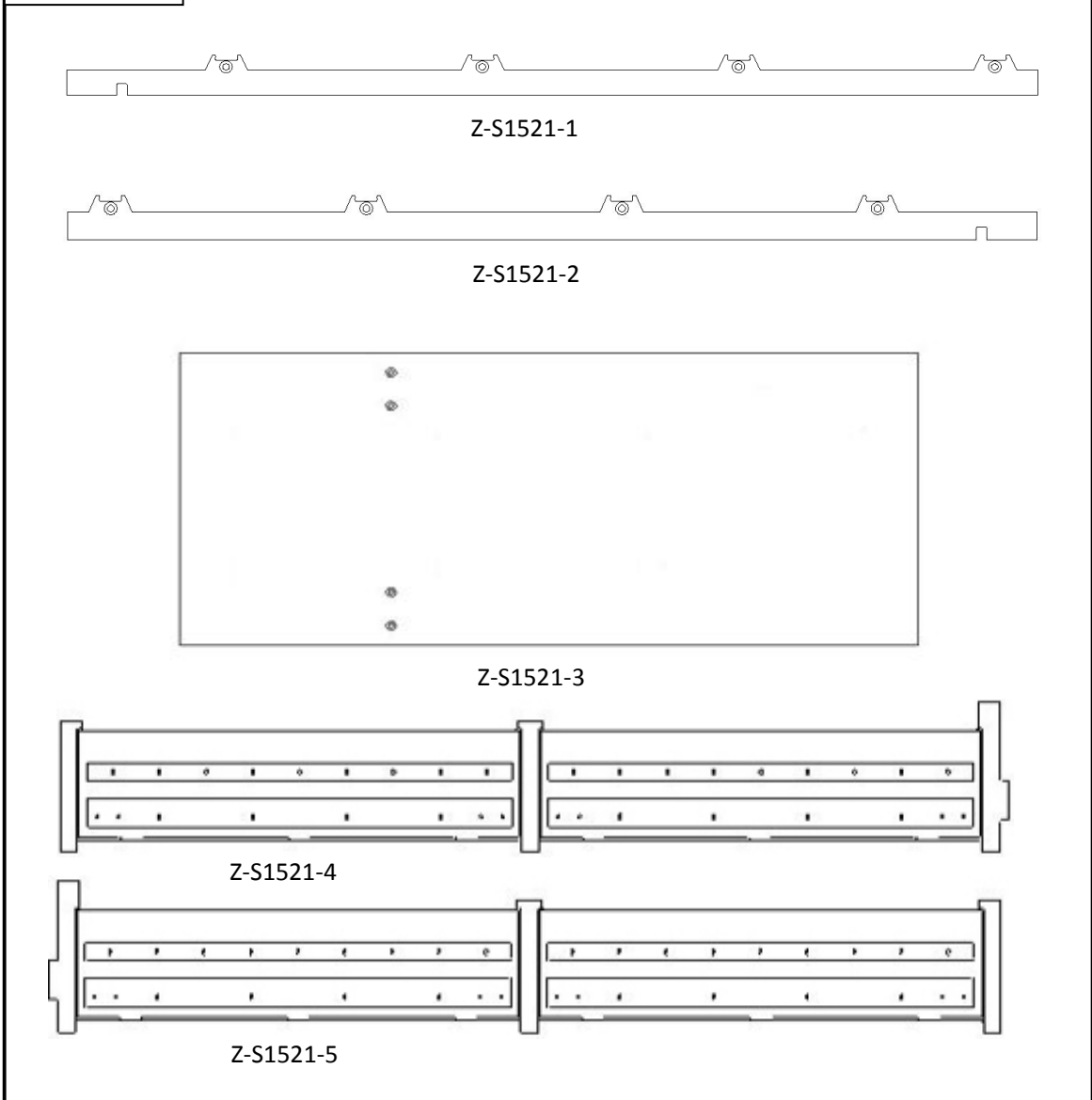
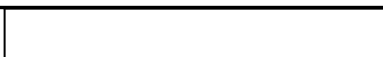
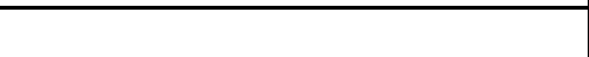
Z-S1521-6



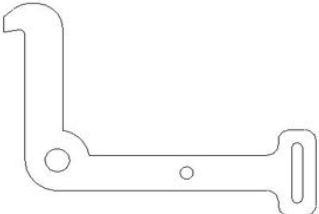
Z-S1521-7




Z-S1521-8/(423mm)

6x6 Body		
 <p>Z-S1521-1</p> <p>Z-S1521-2</p> <p>Z-S1521-3</p> <p>Z-S1521-4</p> <p>Z-S1521-5</p>		
6x6 Body	 <p>Z-S1527-1</p>	 <p>Z-S1527-2</p>

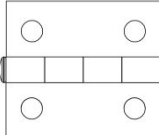
6x6 Body



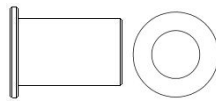
Z-S1529-1



Z-S1529-2

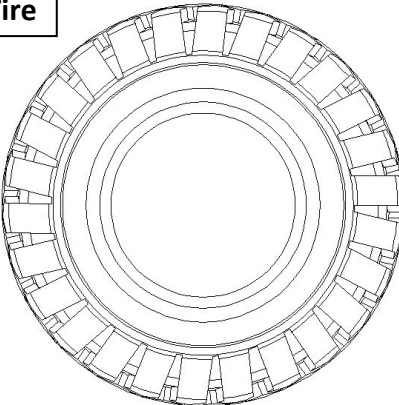


Z-S1529-3

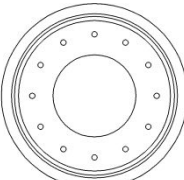


Z-S1529-4

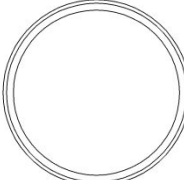
Tire



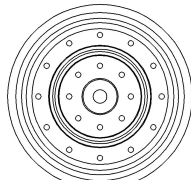
Z-T0075



Z-W0119-1




Z-W0119-2




Z-W0119-3

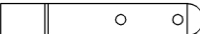
Accessories




Z-S0277




Z-B0017



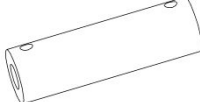
Z-S1546-6




Z-S0430




Z-S0238



Z-S0599

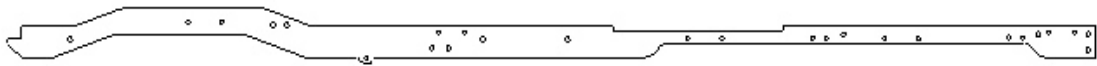


Z-C0050-1

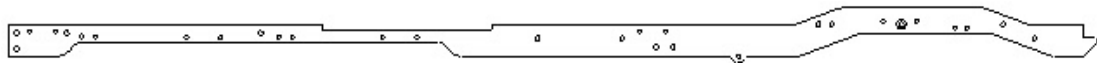


Z-S0075

Girde

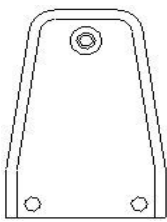


Z-C0046-1

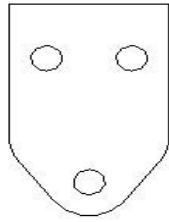


Z-C0046-2

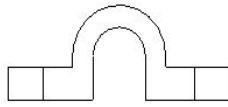
The Frame



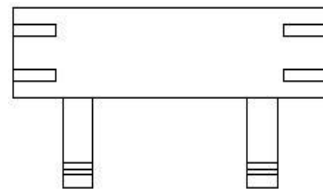
Z-S1534



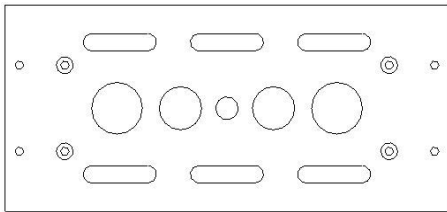
Z-S1542



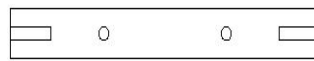
Z-S1536



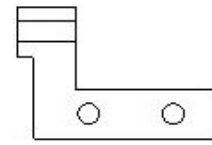
Z-C0046-6



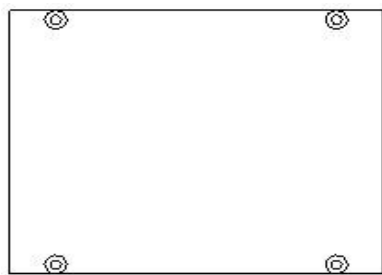
Z-C0050-2



Z-C0046-5



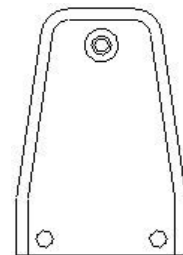
Z-C0046-7



Z-C0050-3



Z-C0046-3

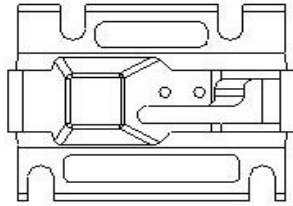


Z-S1532

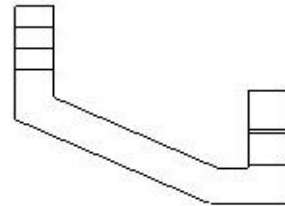
The Frame



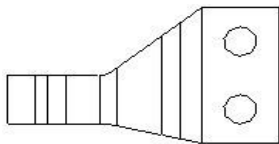
Z-S1530



Z-C0048



Z-S1528-1



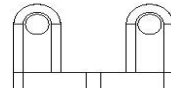
Z-S1540-1



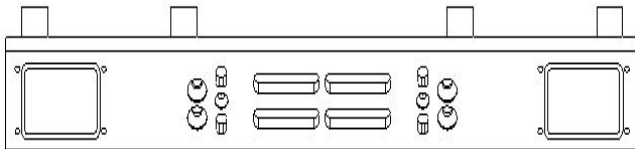
Z-C0046-4



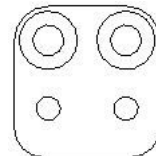
Z-S1538



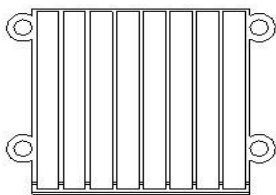
Z-S1546-5



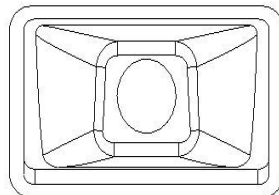
Z-S1546-1



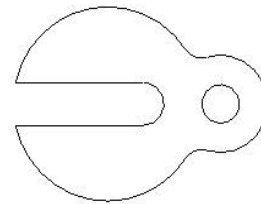
Z-S1528-2



Z-S1546-2

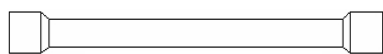


Z-S1546-3

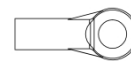


Z-S1546-4

Connecting Rod



Z-S0807/(59mm)



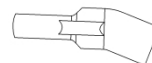
Z-S0399



Z-S1084/(52mm)

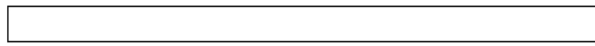


Z-S0884/(50mm)



Z-S0402

Connecting Rod



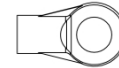
Z-S1550/(71.5mm)



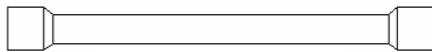
Z-S0401



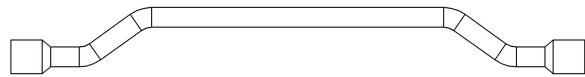
Z-S1552/(41mm)



Z-S0398

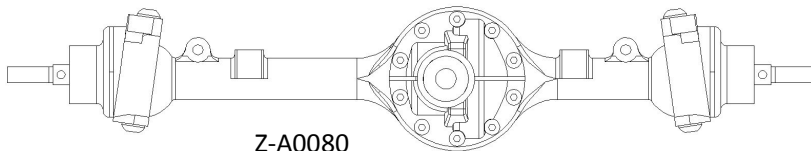


Z-S0819/(70mm)



Z-S0810/(104.5mm)

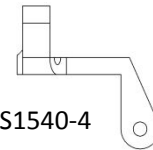
Axle



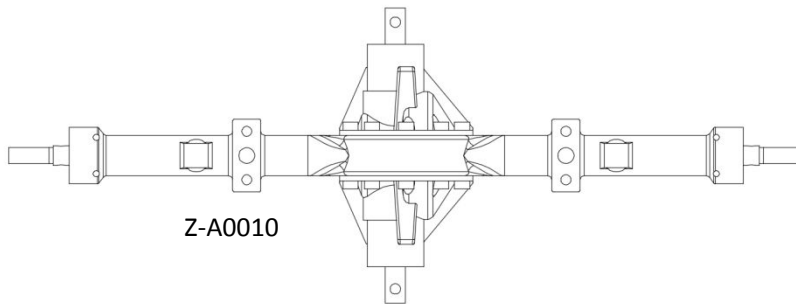
Z-A0080



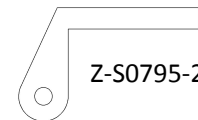
Z-S1540-3



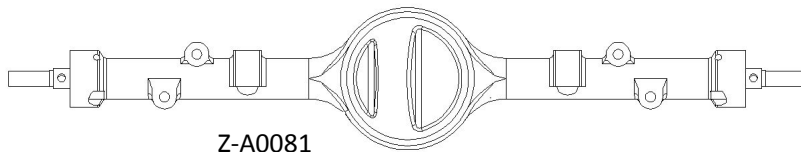
Z-S1540-4



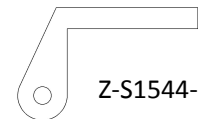
Z-A0010



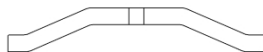
Z-S0795-2



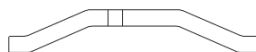
Z-A0081



Z-S1544-1



Z-S0795-1

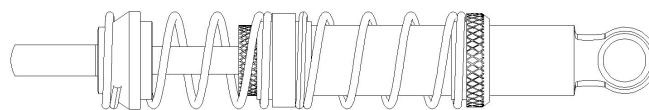


Z-S1540-2














Z-S1544-2






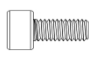
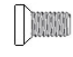
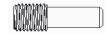

Shock

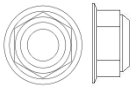
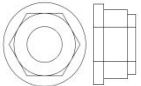









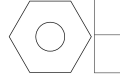
Z-D0039

All of the hardware should be taken from Hardware Bag A/B/C/D.

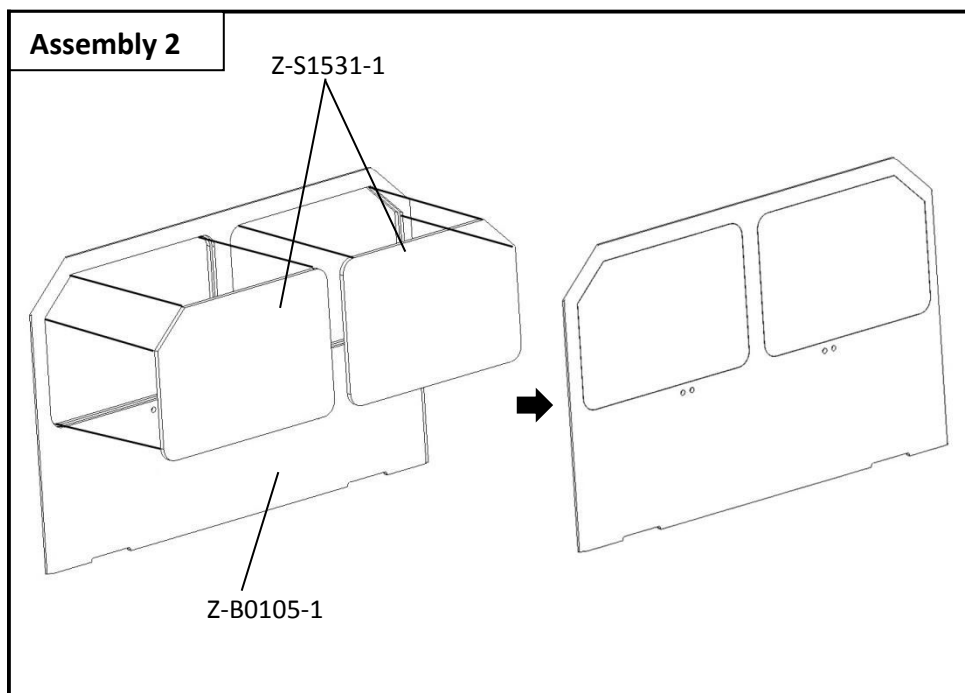
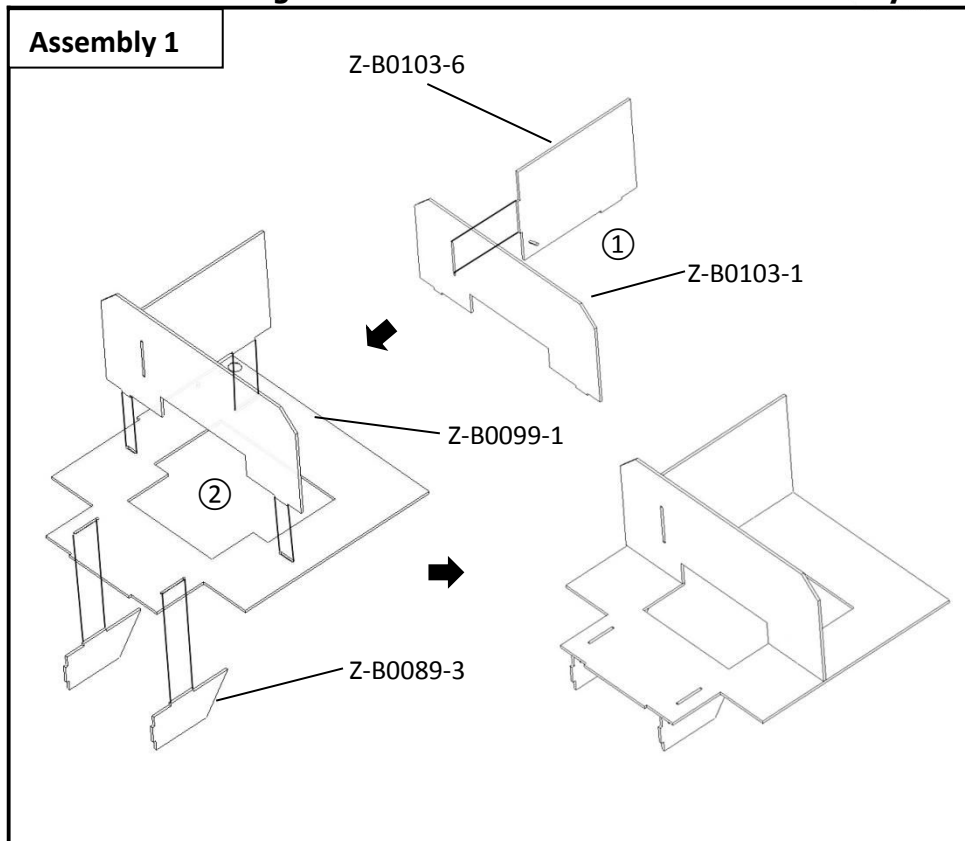
Z-S0916		M2.5X8 button head	A
Z-S0745		M3X4 button head	
Z-S0960		M3X6 button head	
Z-S0652		M3X8 button head	
Z-S0653		M3X10 button head	
Z-S0654		M3X12 button head	
Z-S0655		M3X14 button head	
Z-S0656		M3X16 button head	
Z-S0657		M3X18 button head	
Z-S0895		M3X20 button head	
Z-S1514		M4X25 button head	

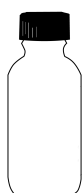
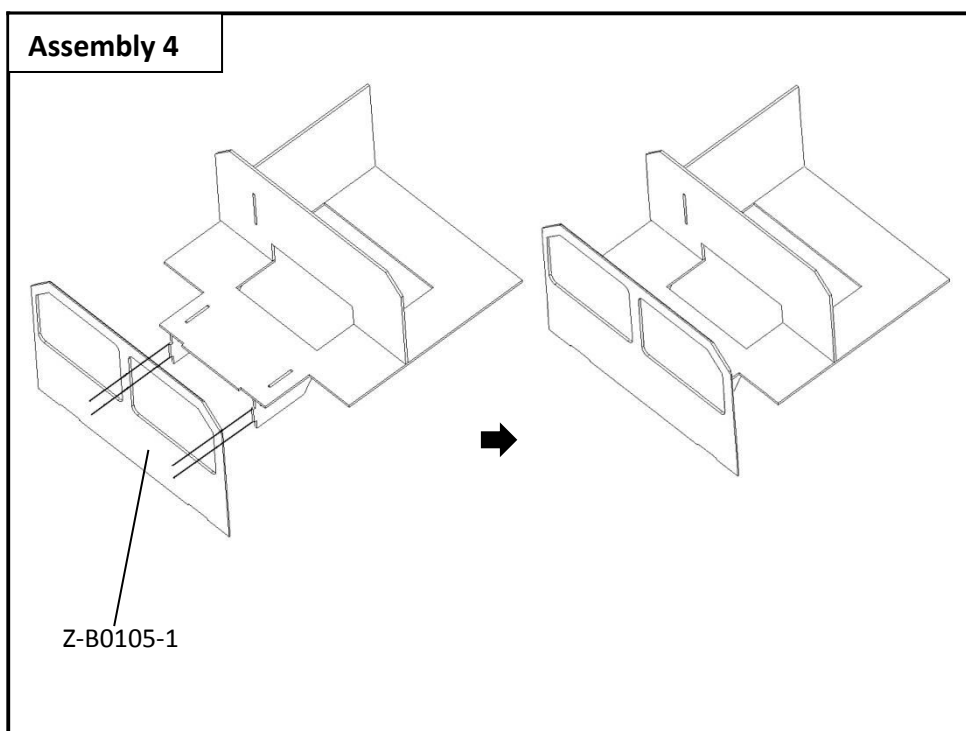
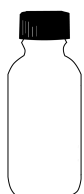
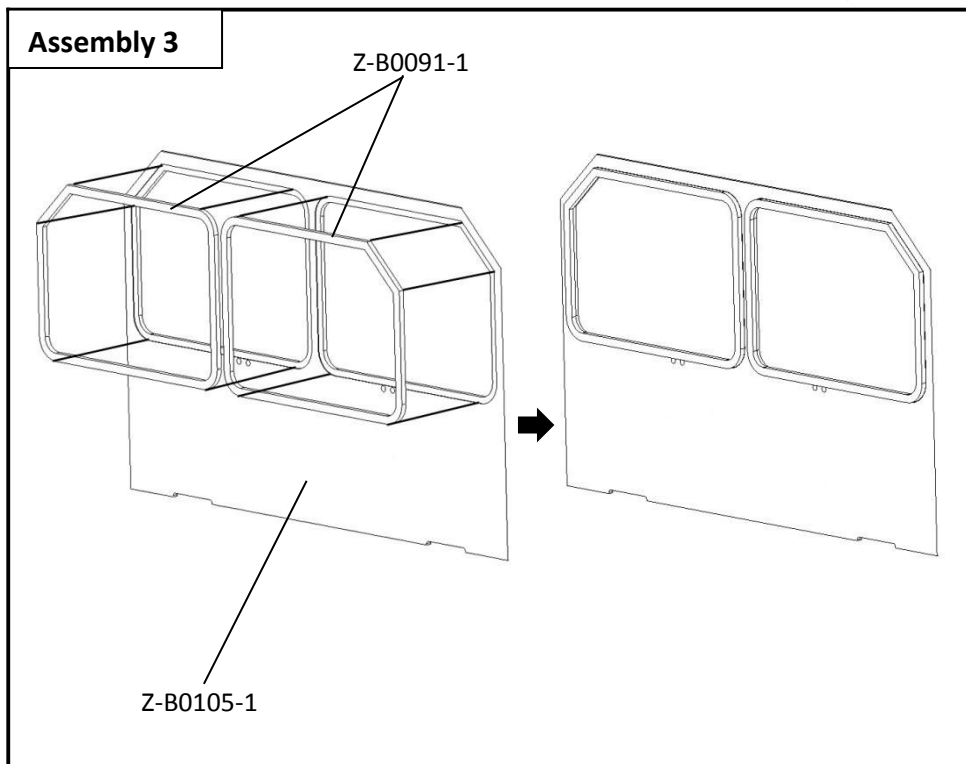
Z-S1516		M2X4 flat head	B
Z-S1518		M2X6 flat head	
Z-S0648		M3X6 flat head	
Z-S0649		M3X8 flat head	
Z-S1367		M3X22 cap head	
Z-S0927		M2X4 cap head	
Z-S1520		M1.4X3 flat head	
Z-S0804		M3 Driveshaft Pin	
Z-S1533		M1.6X12 screw	

Z-S0629		M3 nut	C
Z-S0620		M4 nut	
Z-S0600		M3 X 2 Spacer	
Z-S0809		M3 X 1 Spacer	
Z-S1524		M3.1 X 3 Spacer	

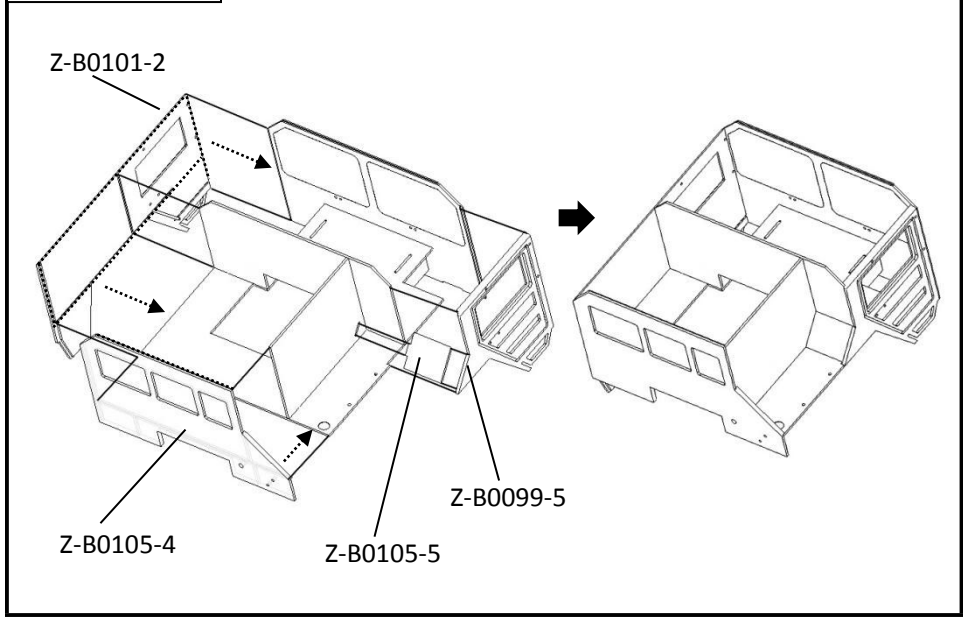
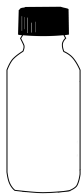
Z-S0125		M3X5 set screw	D
Z-S0308		M3X10 set screw	
Z-S1522		M2.5X2 set screw	
Z-S0650		M3X15 set screw	
Z-S1230		M1.6 nut	

Note: Attention to distinguish between adhesive and screw assembly.

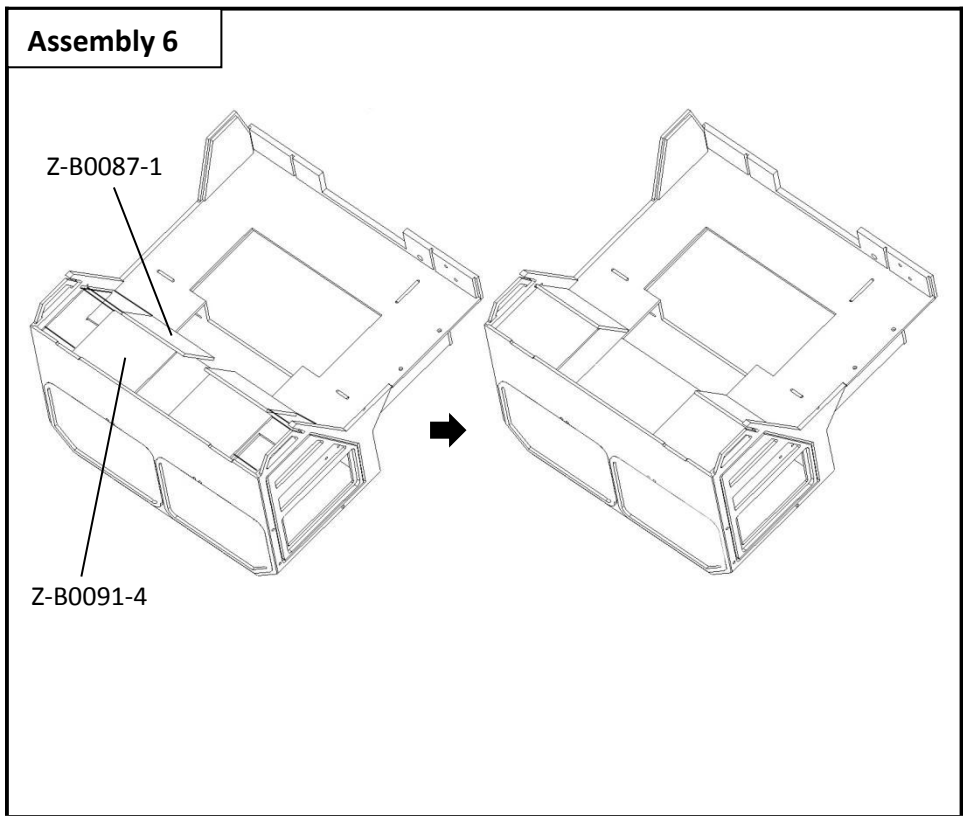
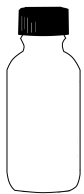




Assembly 5



Assembly 6



Assembly 7

Z-S0629
M3 nut


Z-S1529-4
M3X7.2 Bushing

Z-S0653
M3X10 button head

Z-B0087-8

Z-S1529-1

"Z-S1529-4" & "Z-S1529-1" can be found in Bag 17.



Assembly 8

"Z-S1529-2" can be found in Bag 17.

Z-S0629
M3 nut

Z-S1524
M3.1 X 3 Spacer

Z-S0745
M3X4 button head

Z-S0652
M3X8 button head

Z-S0654
M3X12 button head

Z-S1524


Z-S0654

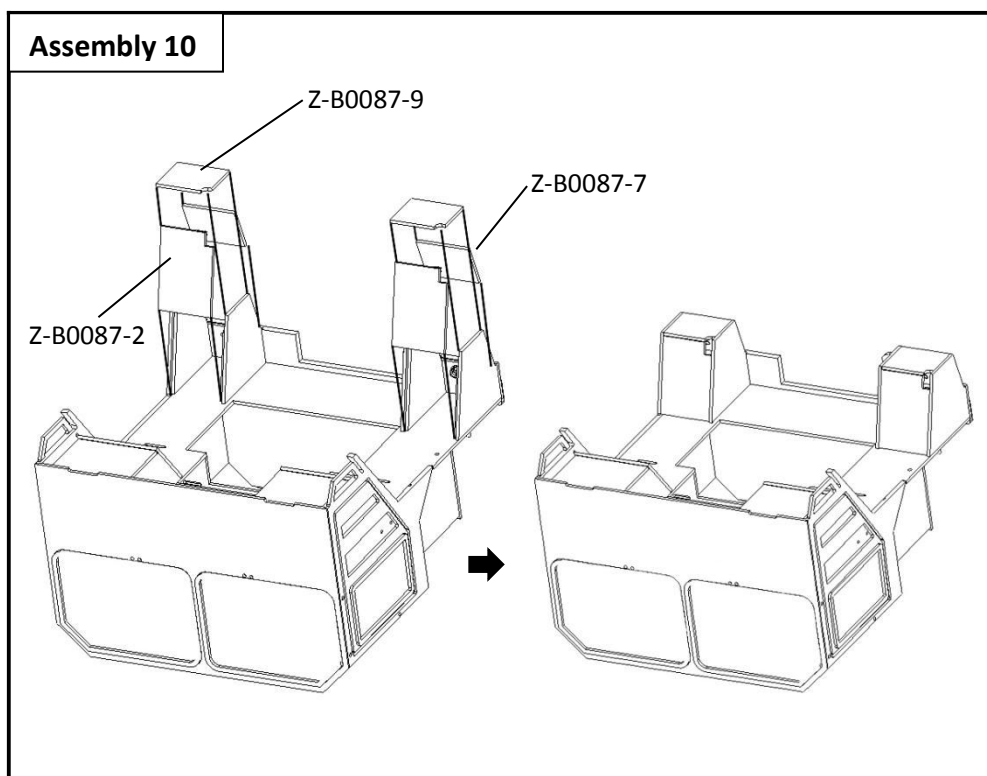
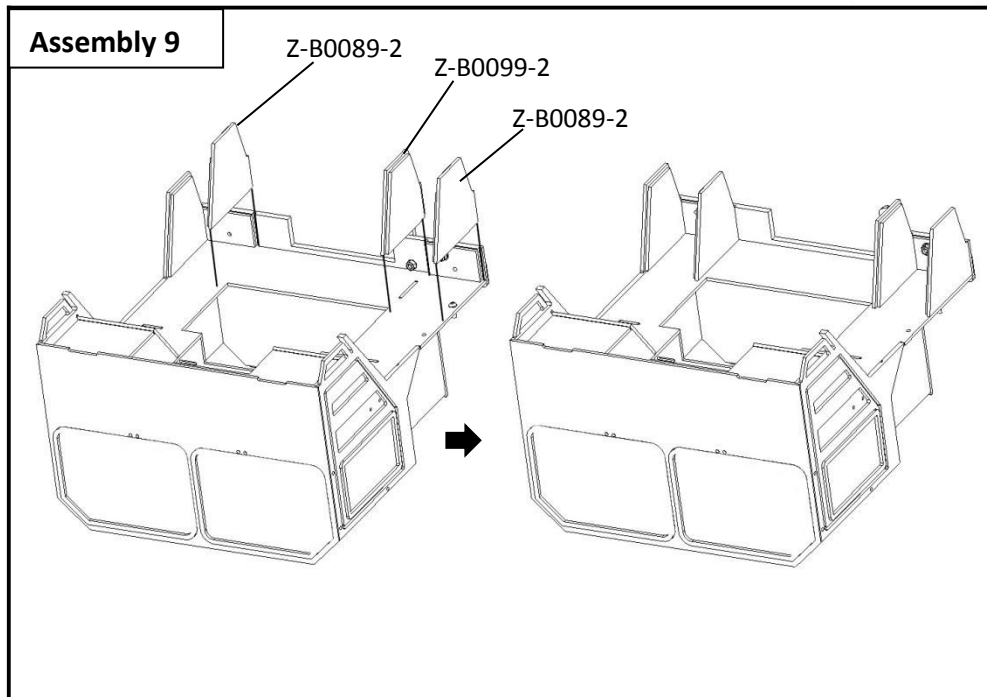
Z-S0745

Z-S0629

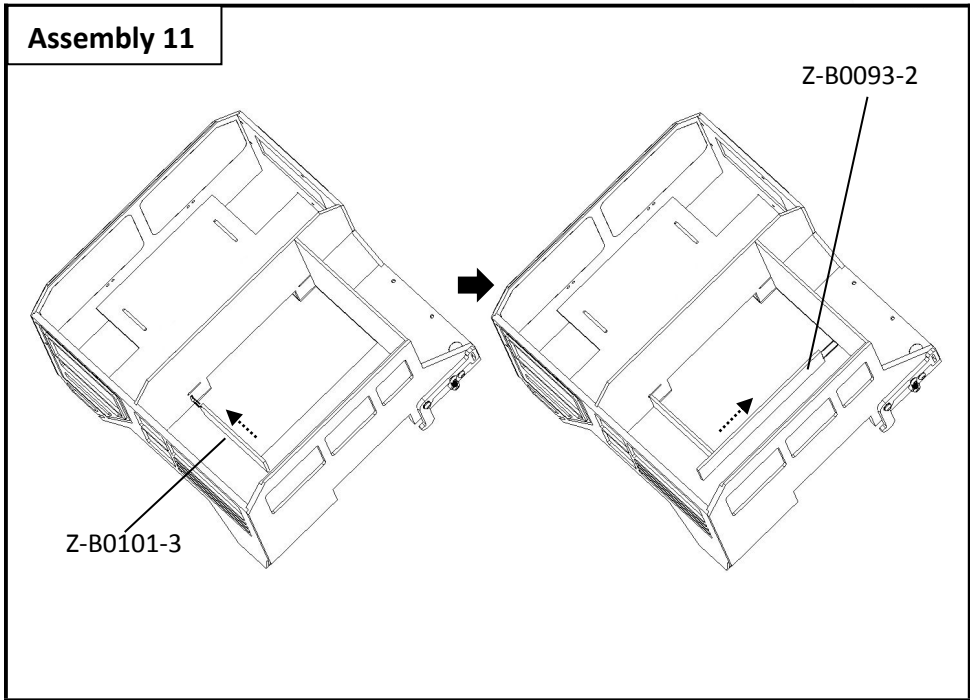
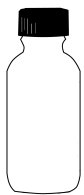
Z-S1529-2

Z-S0652

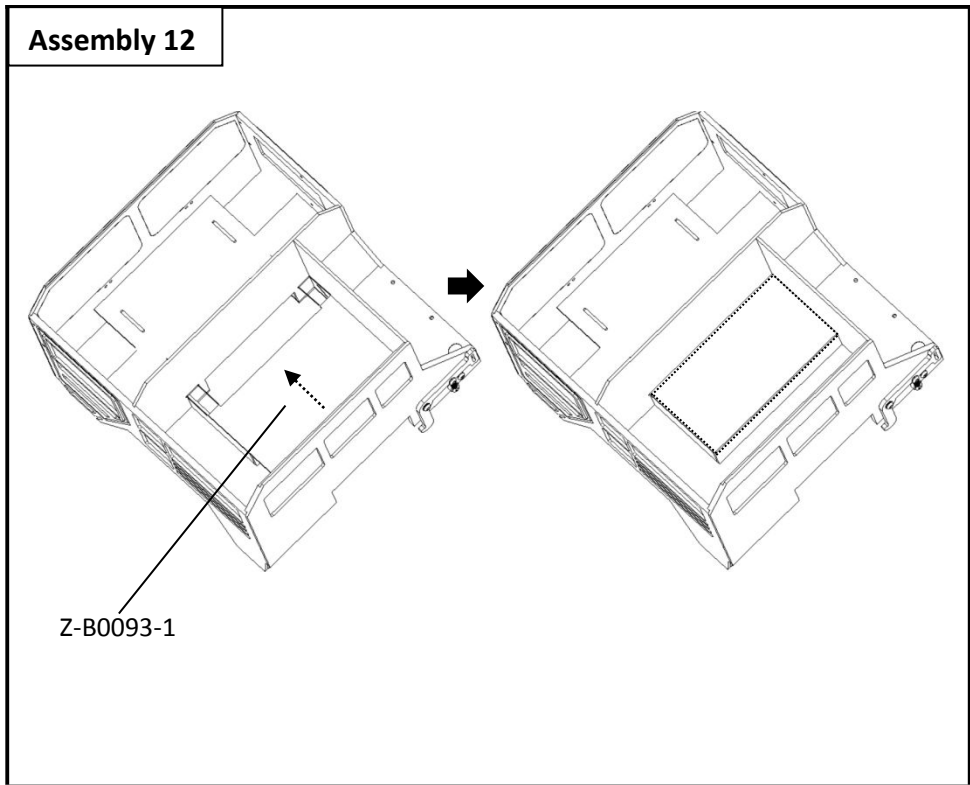
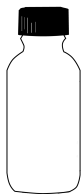




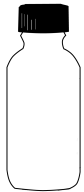
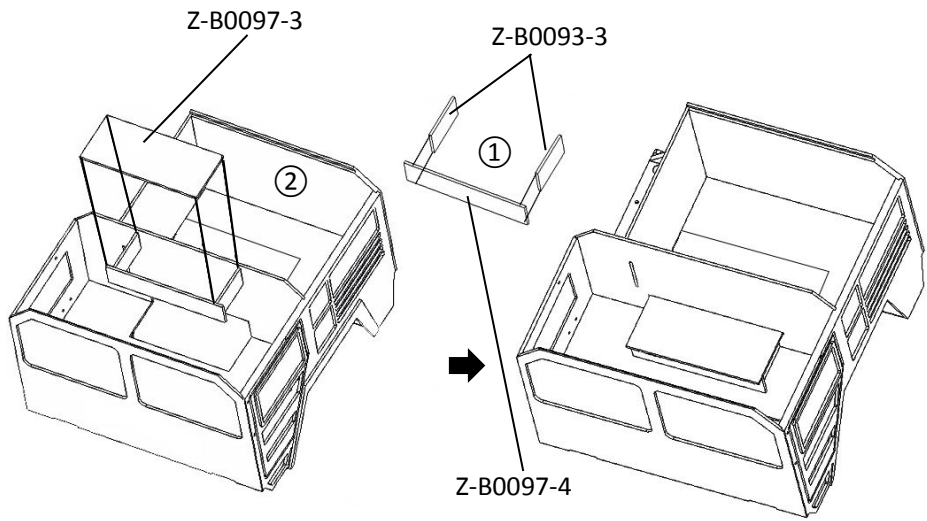
Assembly 11



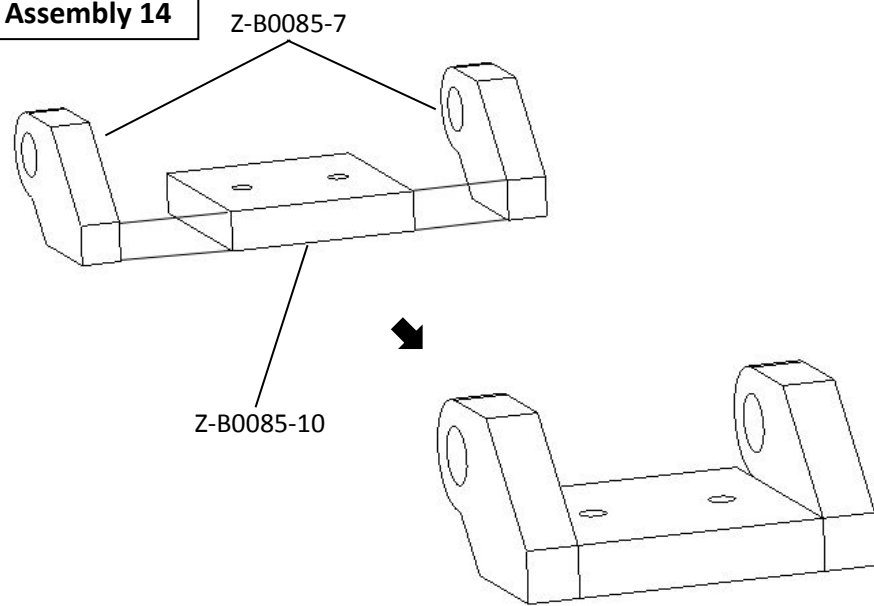
Assembly 12



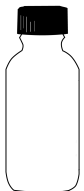
Assembly 13



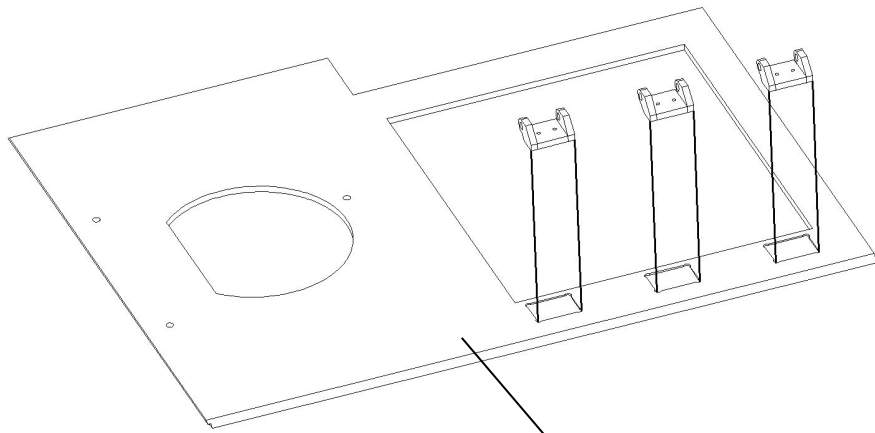
Assembly 14



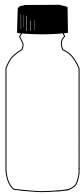
Assembling as shown 3 times.



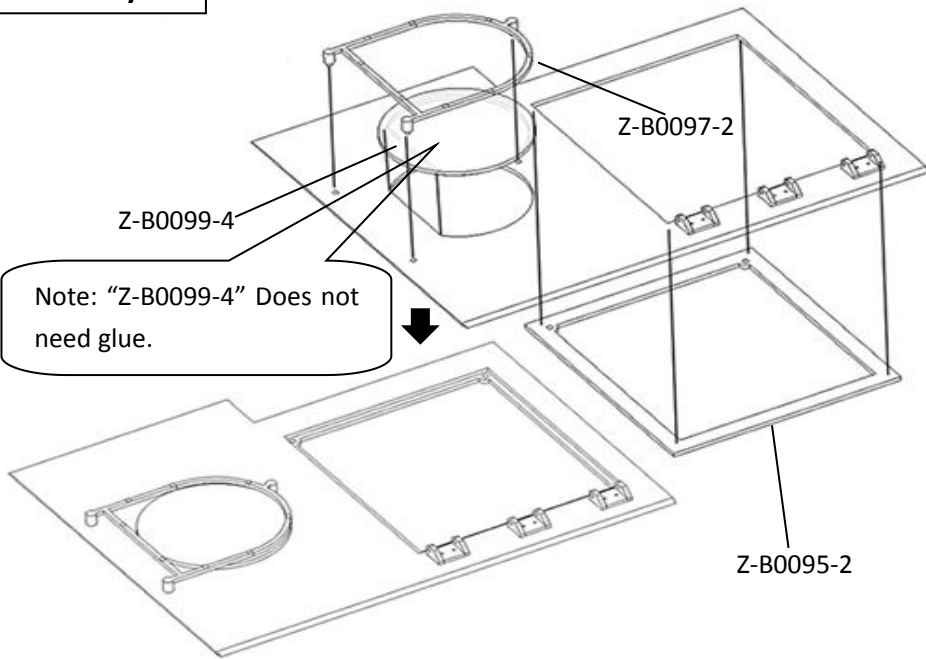
Assembly 15



Z-B0101-1



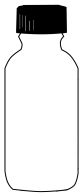
Assembly 16



Z-B0097-2

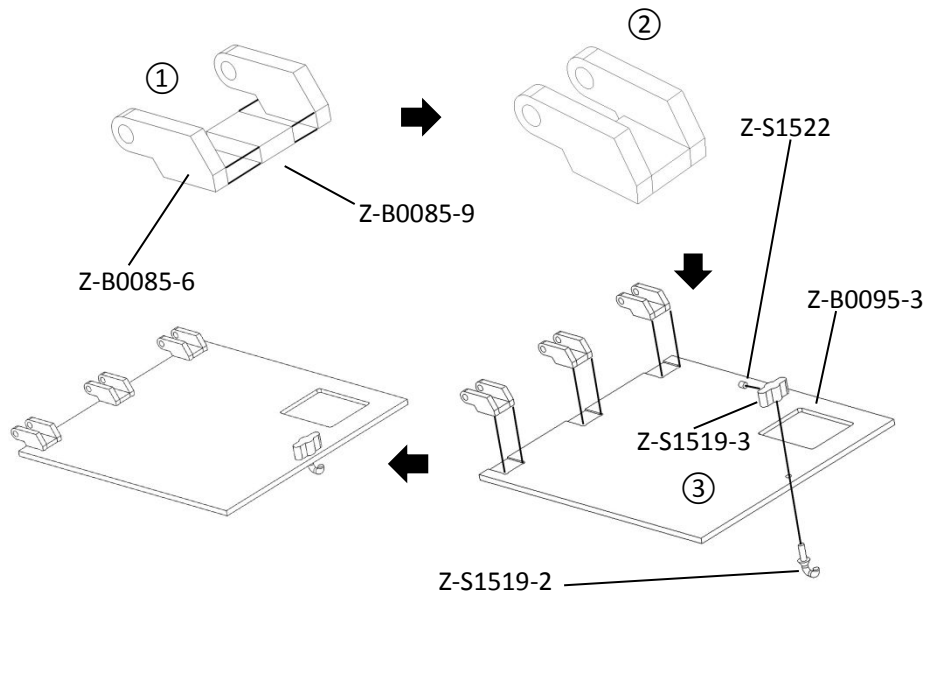
Z-B0099-4


Z-B0095-2

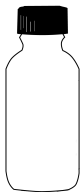


Assembly 17

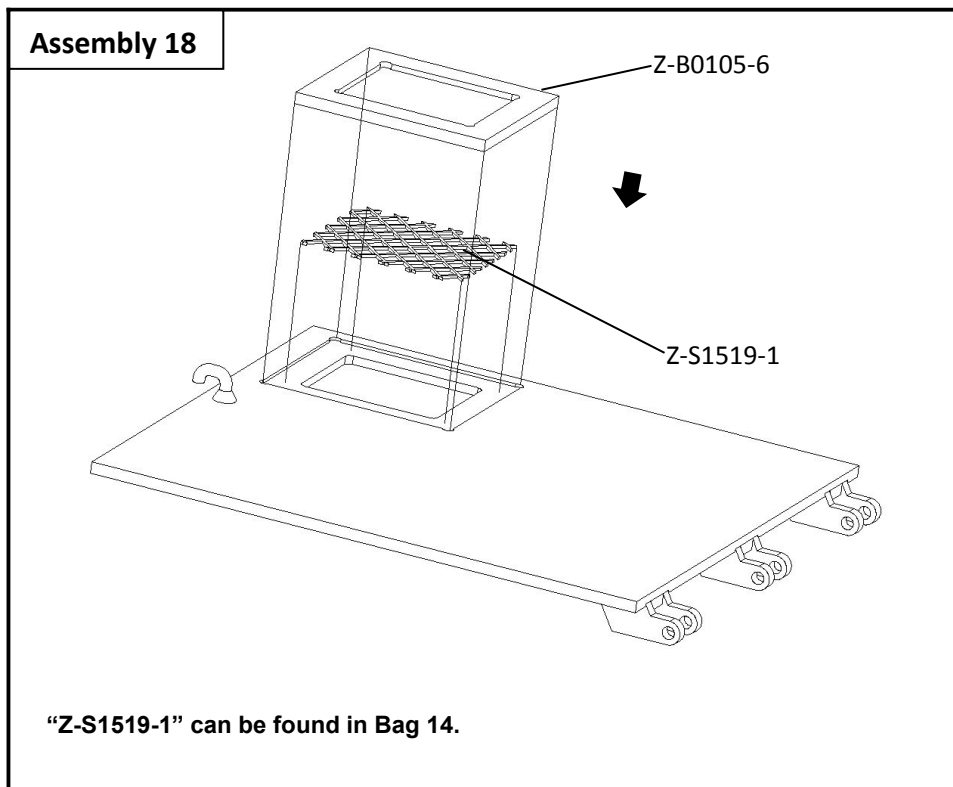
"Z-S1519-2"&"Z-S1519-3" can be found in Bag 14.



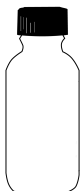
Z-S1522 
M2.5X2 set screw



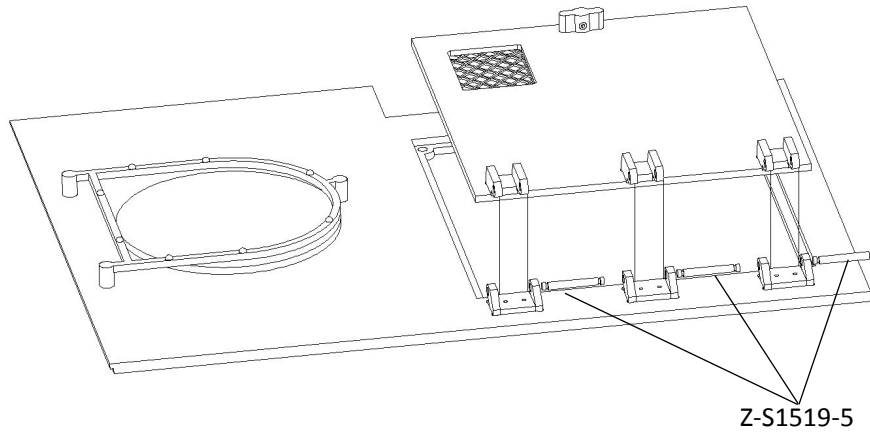
Assembly 18



"Z-S1519-1" can be found in Bag 14.



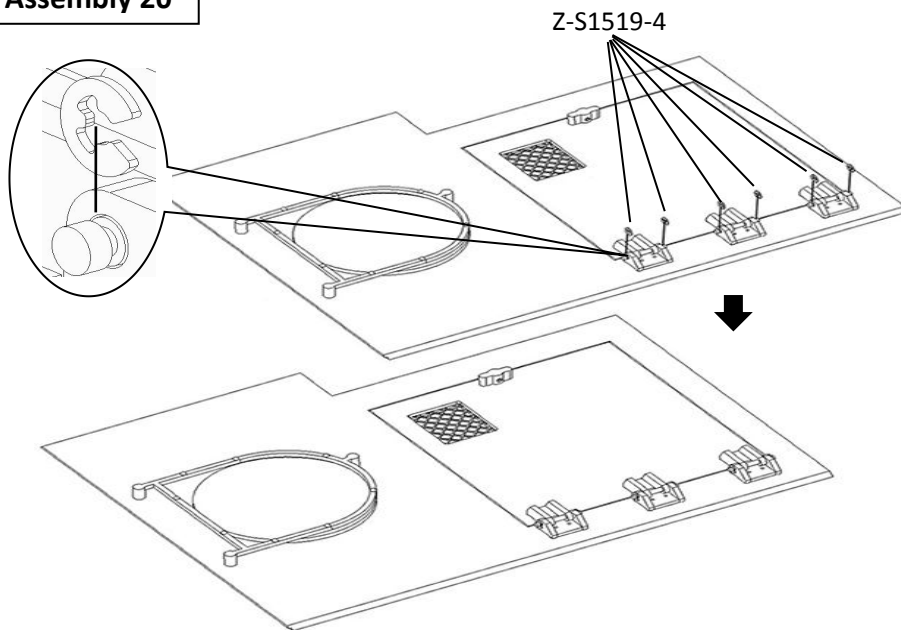
Assembly 19



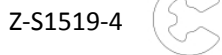
"Z-S1519-5" can be found in Bag 14.



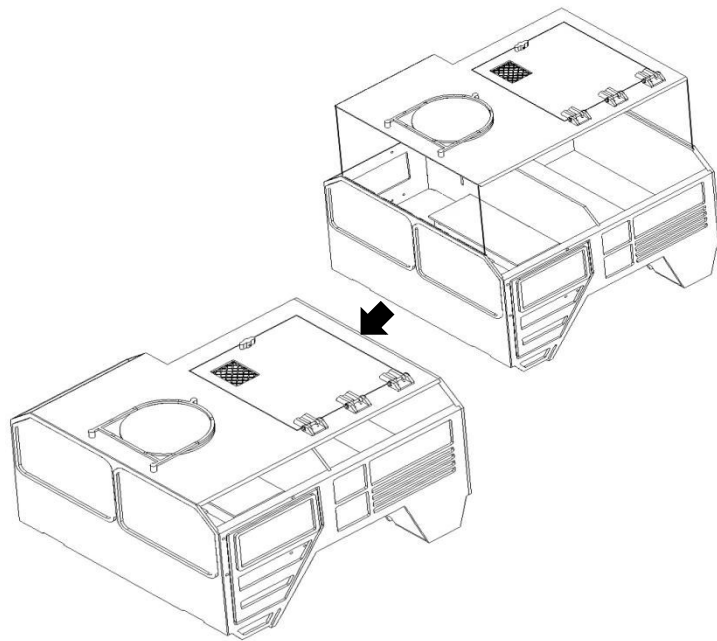
Assembly 20



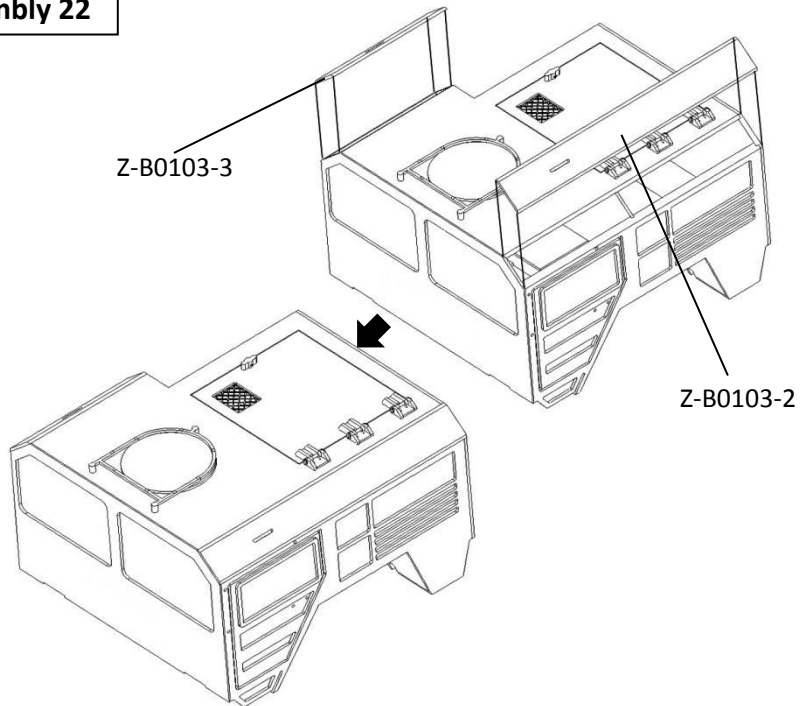
"Z-S1519-4" can be found in Bag 14.

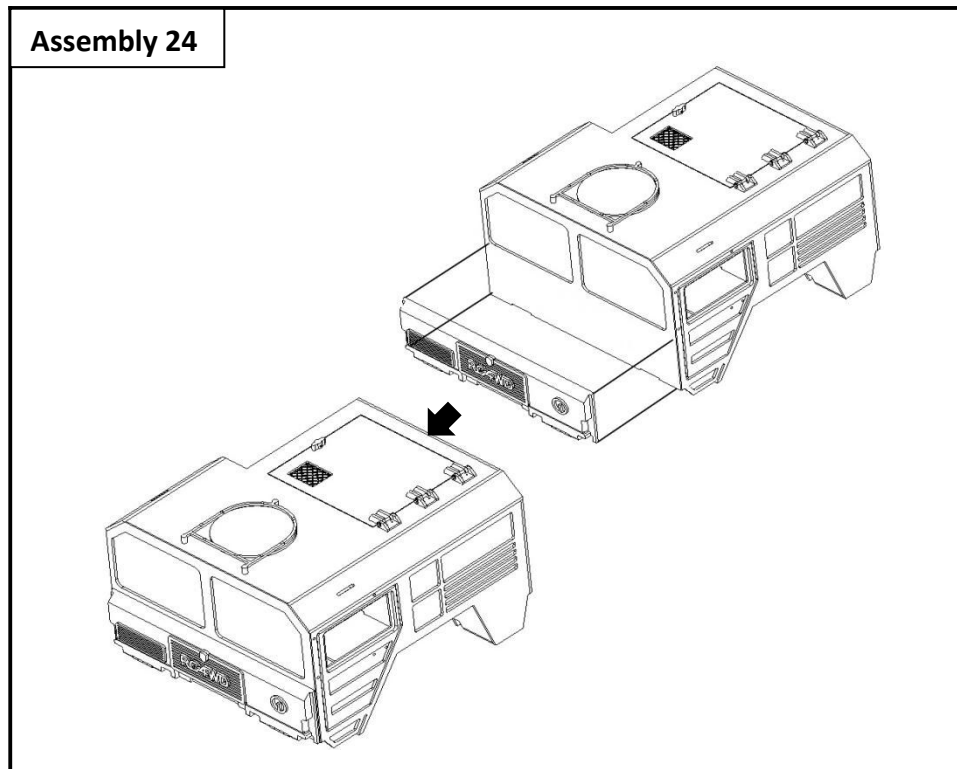
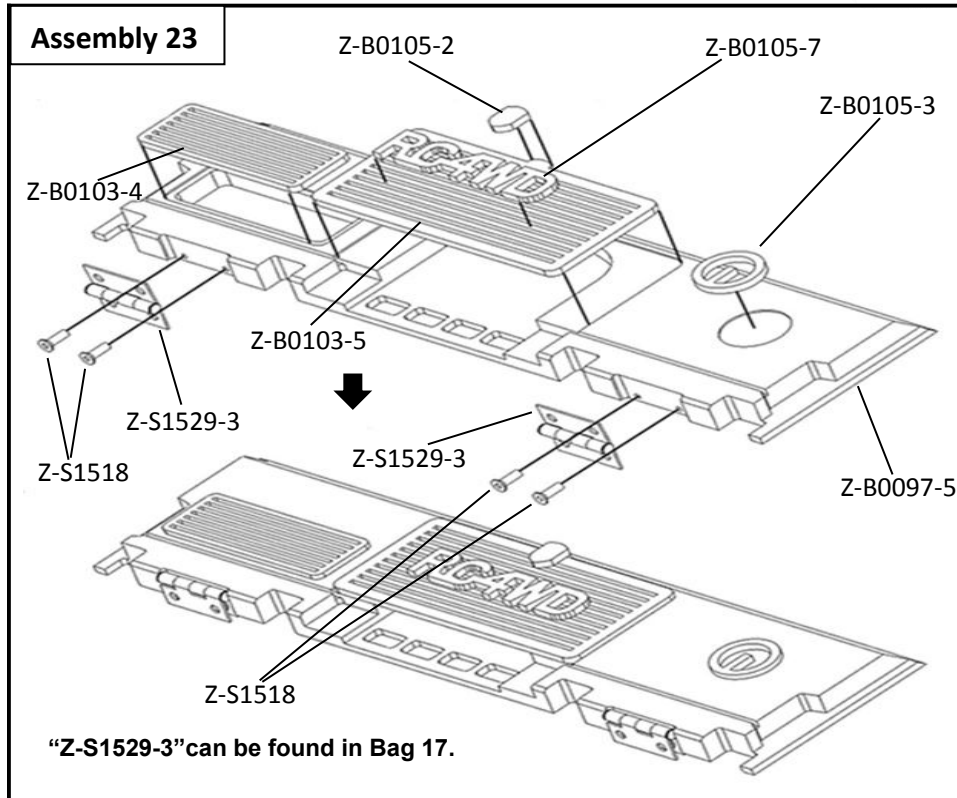


Assembly 21

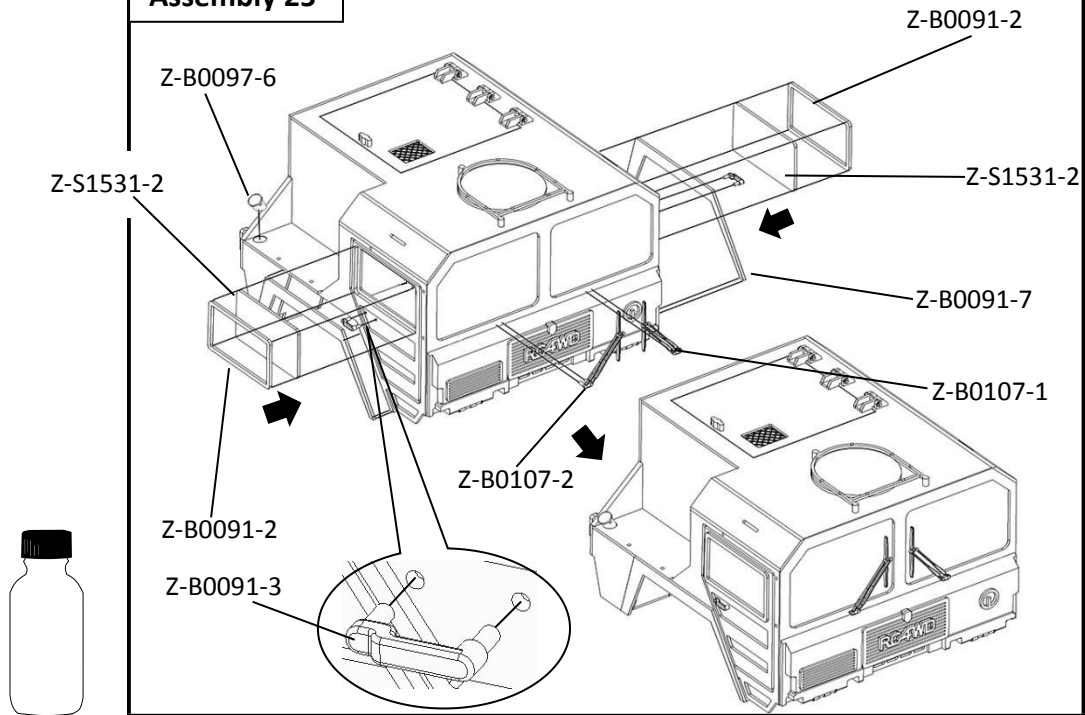


Assembly 22

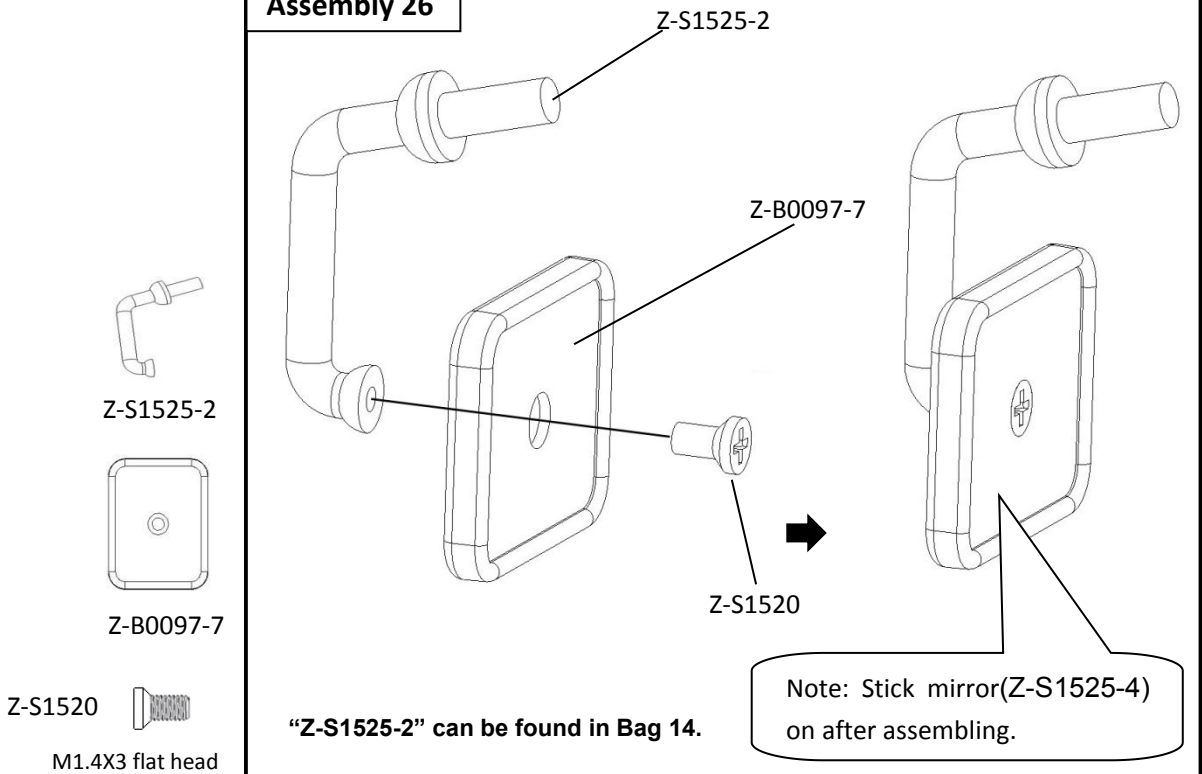




Assembly 25



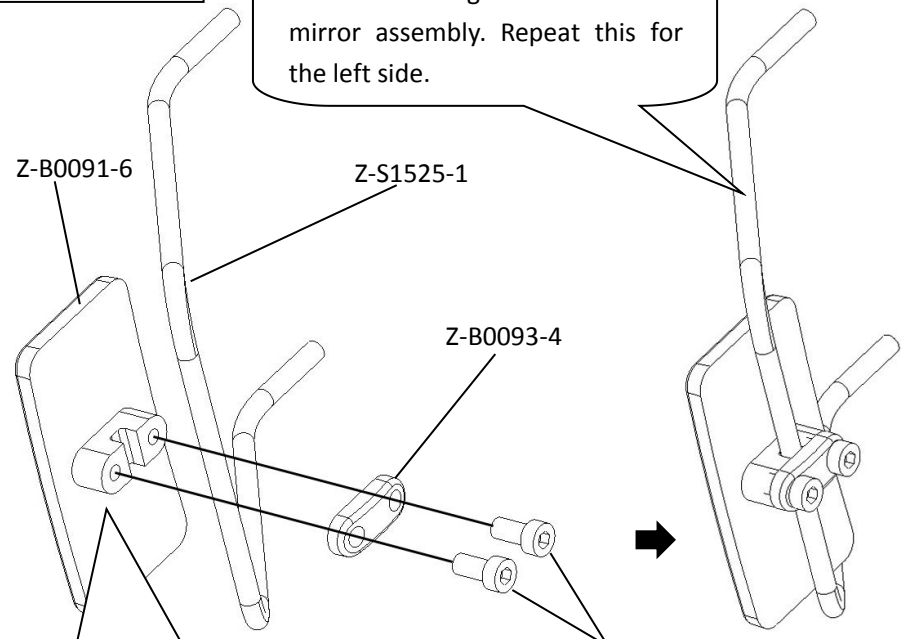
Assembly 26



Assembly 27

Note: Shown right side rear view mirror assembly. Repeat this for the left side.

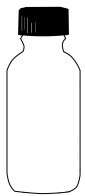
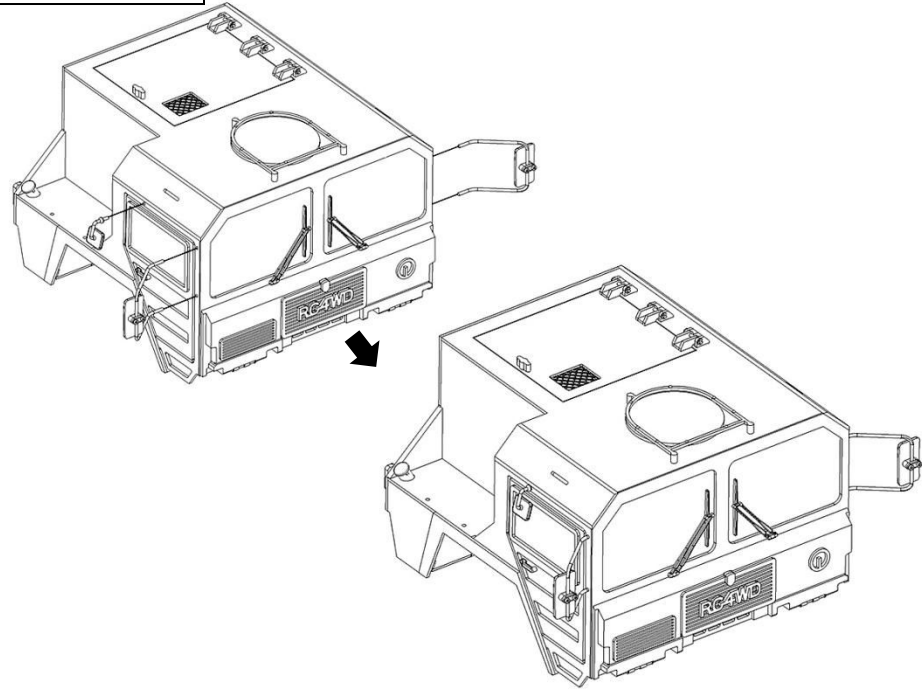
-  Z-B0091-6
-  Z-S1525-1
-  Z-B0093-4
-  Z-S0927
-  M2X4 cap head



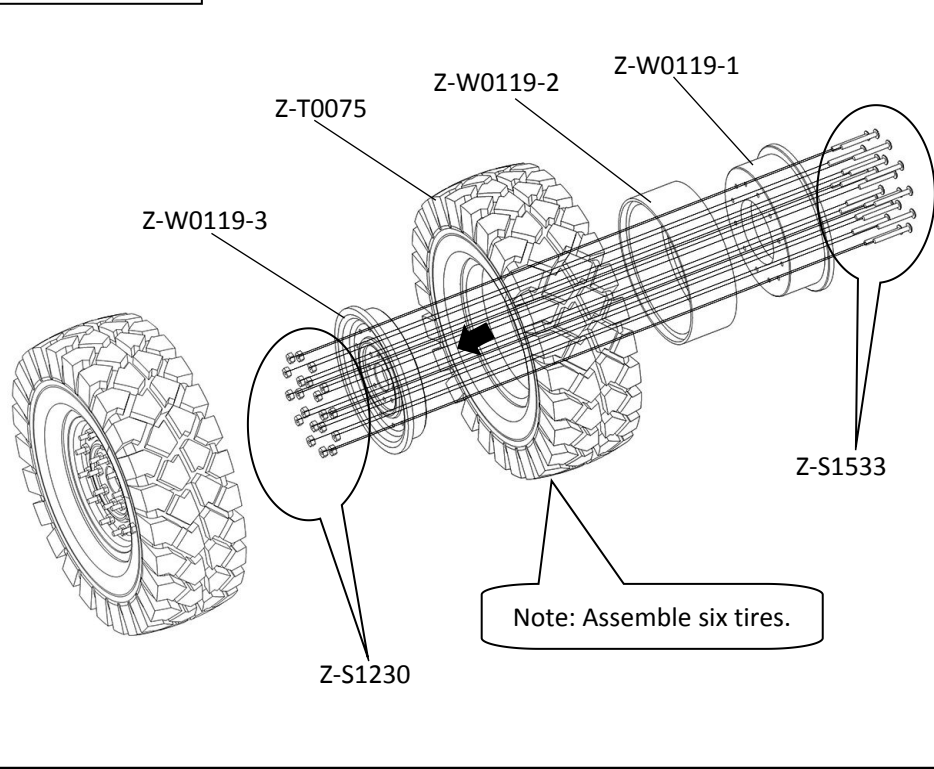
Note: Stick mirror(Z-S1525-3) on after assembling.




Assembly 28

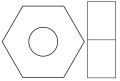


Assembly 29



Z-S1533 

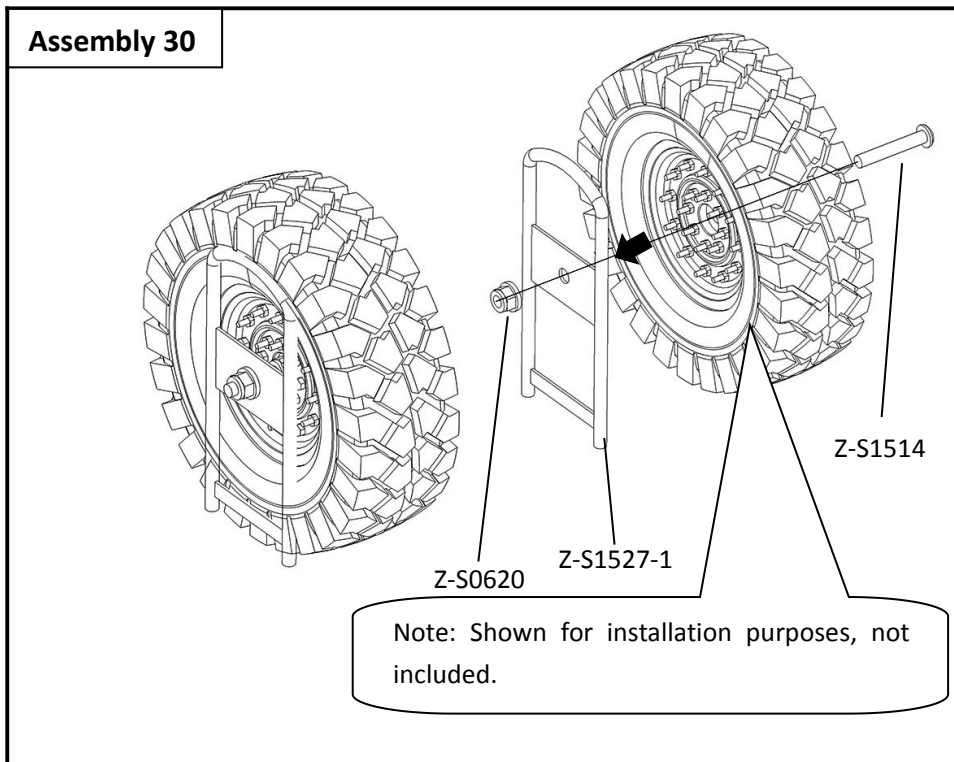
M1.6X12 screw

Z-S1230 

M1.6 nut

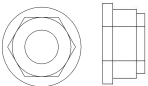


Assembly 30



Z-S1514 

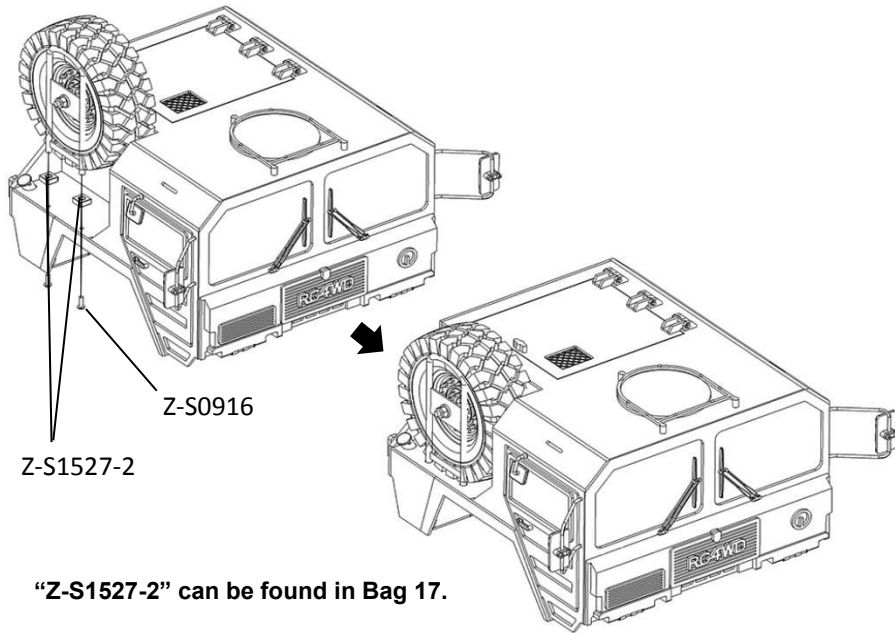
M4X25 button head

Z-S0620 

M4 nut



Assembly 31



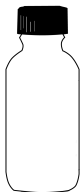
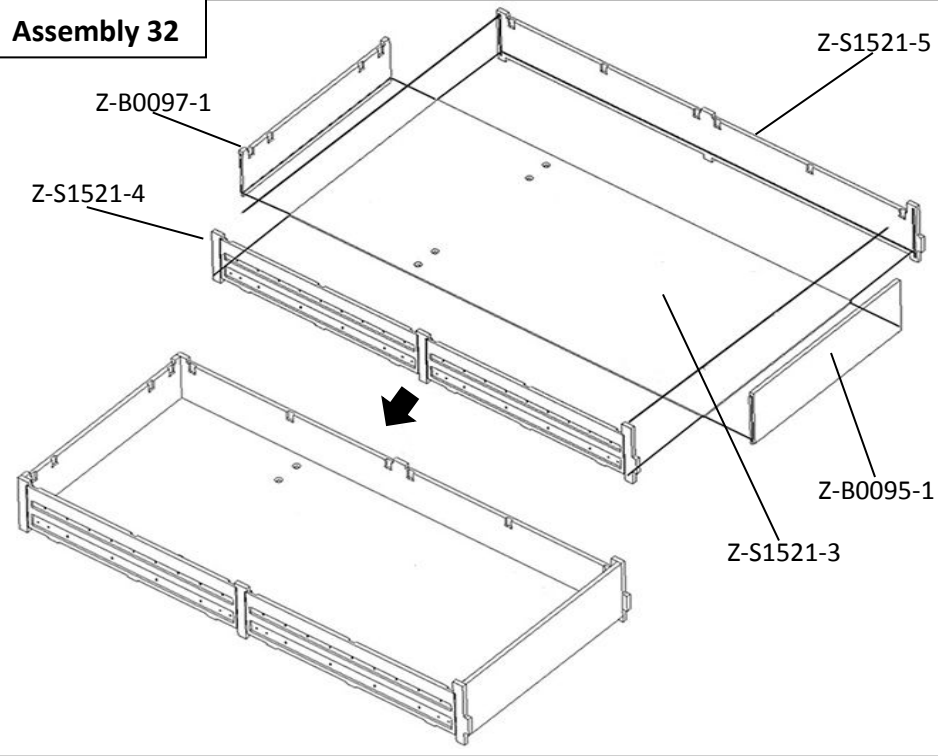
Z-S0916 
M2.5X8 button head

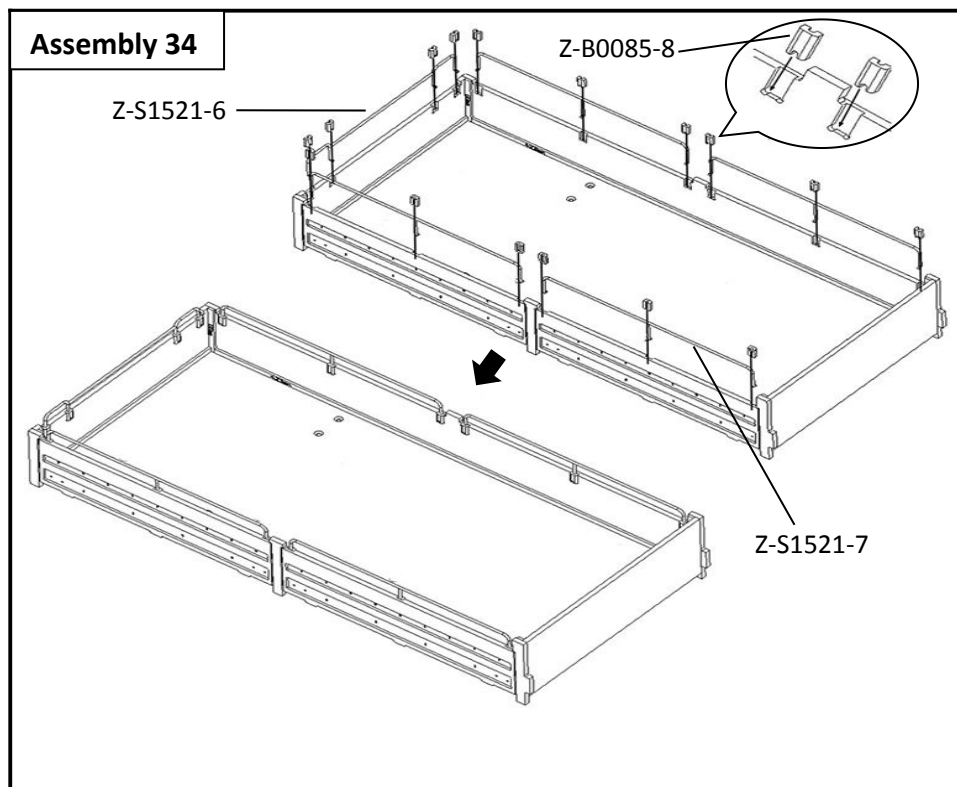
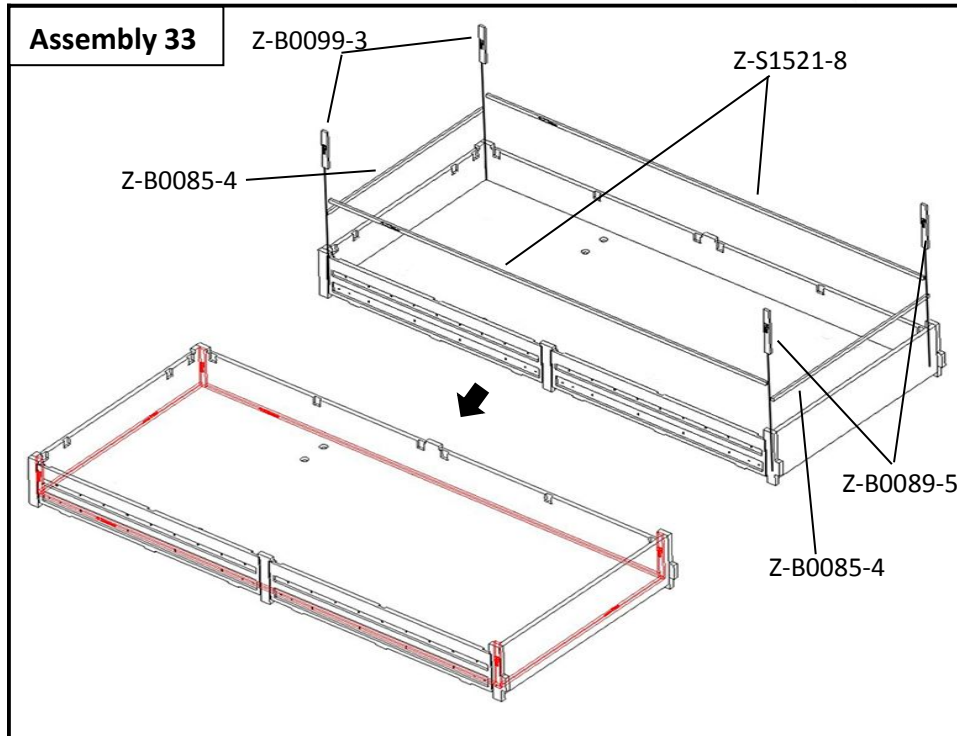
Z-S1527-2 

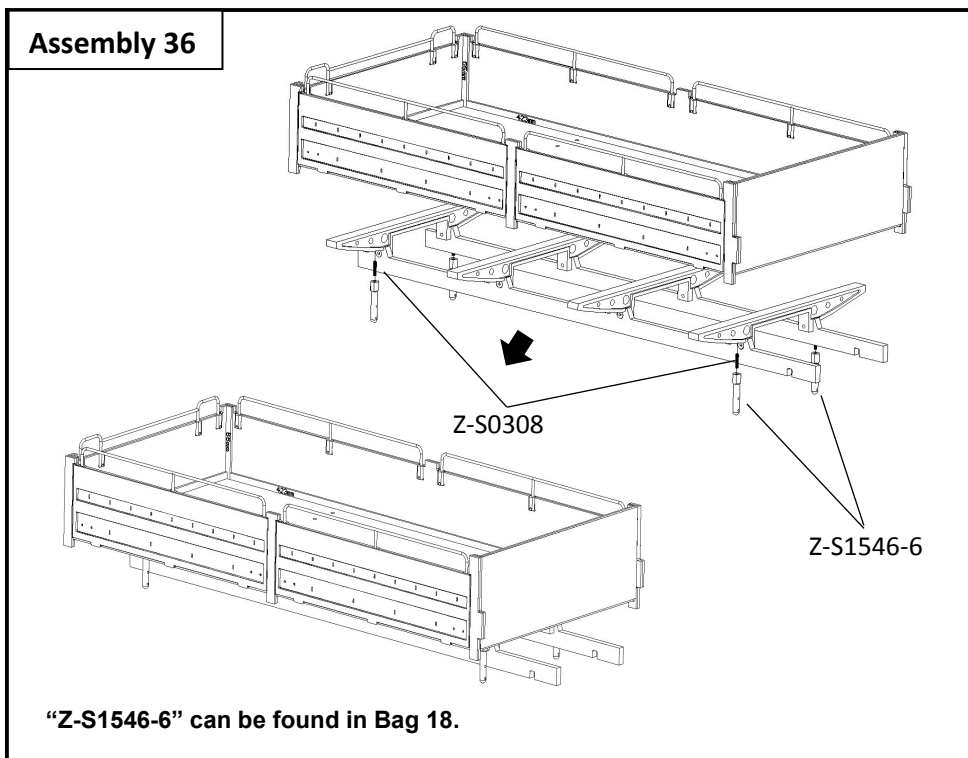
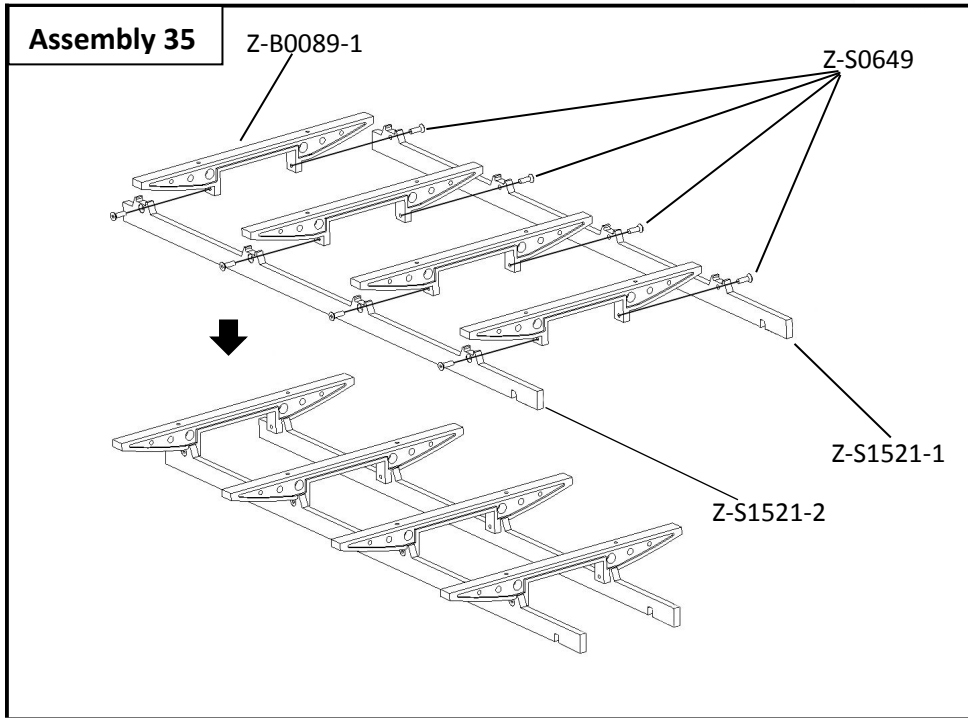
"Z-S1527-2" can be found in Bag 17.



Assembly 32







Assembly 37

Note: LED shown for installation purposes, not included.

Z-S1523-4
Z-S1523-5
Z-B0107-3
Z-S1523-2

Z-B0093-7
Z-S0927
Z-S1523-5
Z-S1523-3
Z-B0107-3
Z-S1523-1

Z-B0093-7

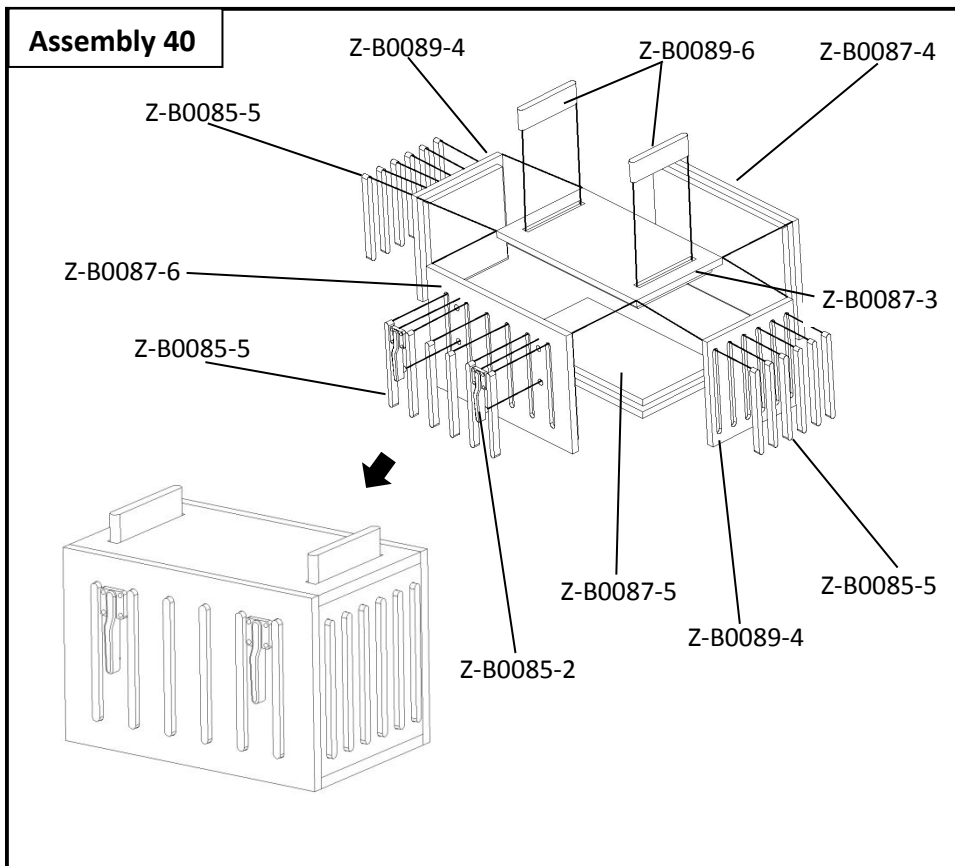
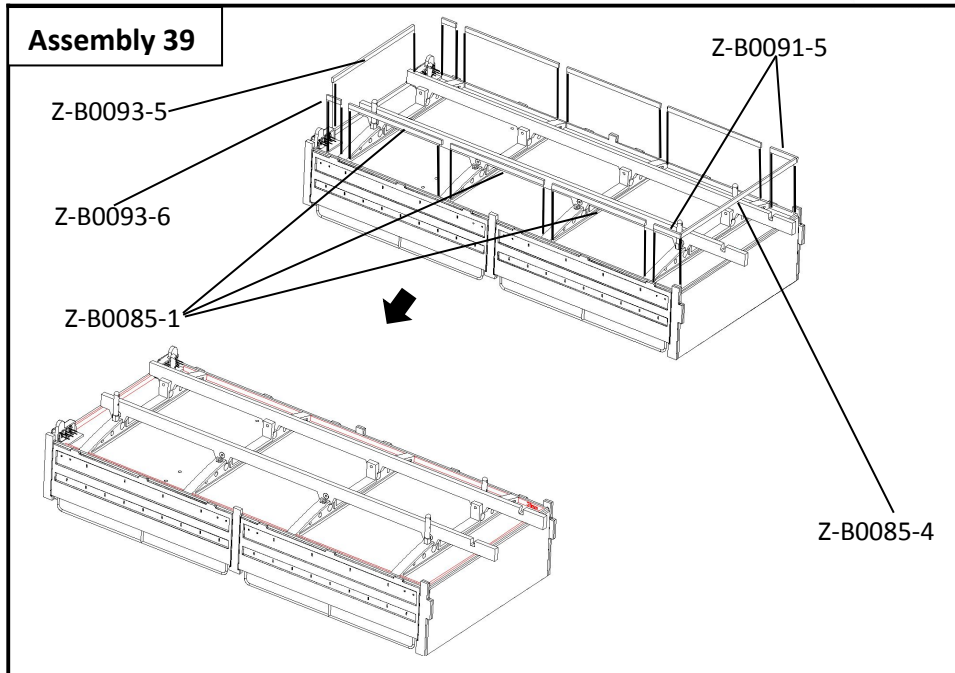
Z-S0927
M2X4 cap head

“Z-S1523-1” & “Z-S1523-2” & “Z-S1523-3” & “Z-S1523-4”
can be found in Bag 16.

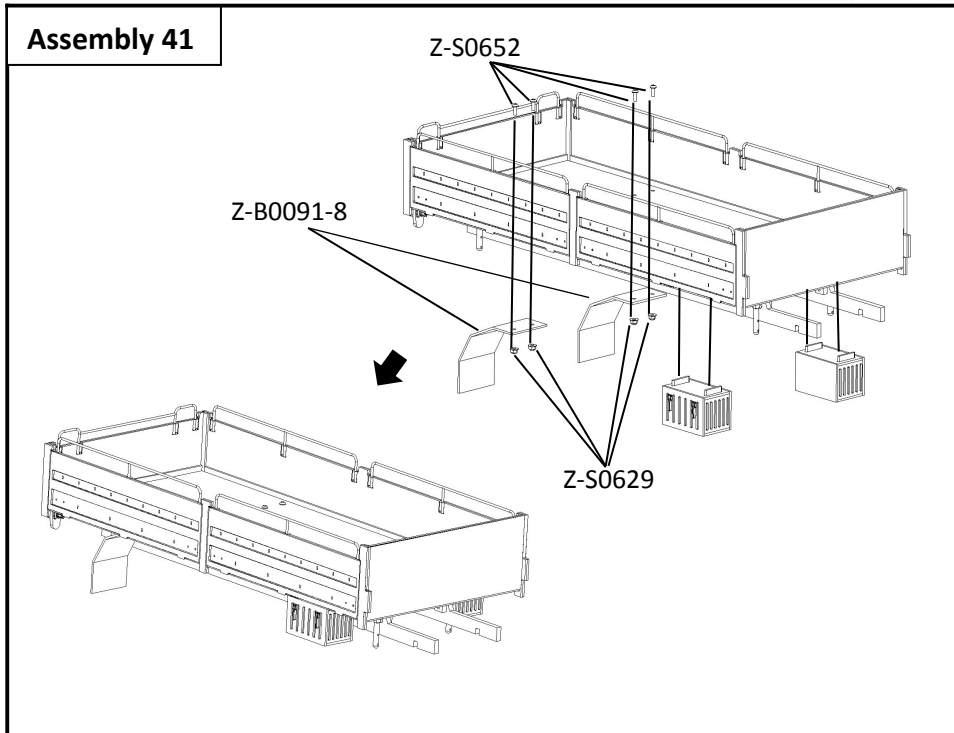
Thread Lock Blue

Assembly 38

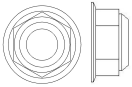
Thread Lock Blue



Assembly 41



Z-S0629



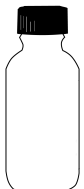
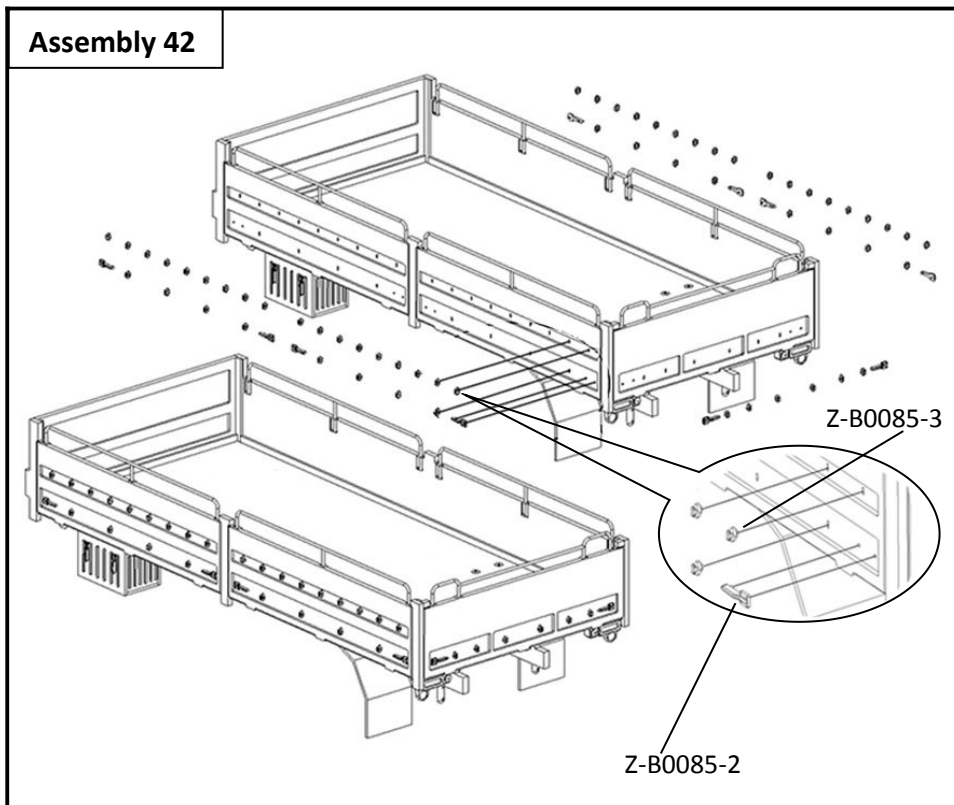
M3 nut

Z-S0652



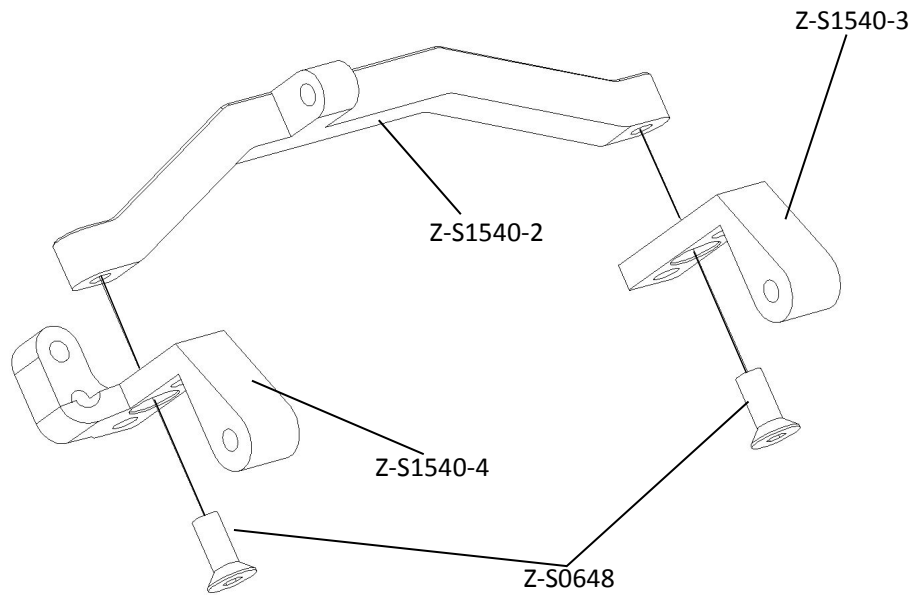
M3X8 button head

Assembly 42



Assembly 43

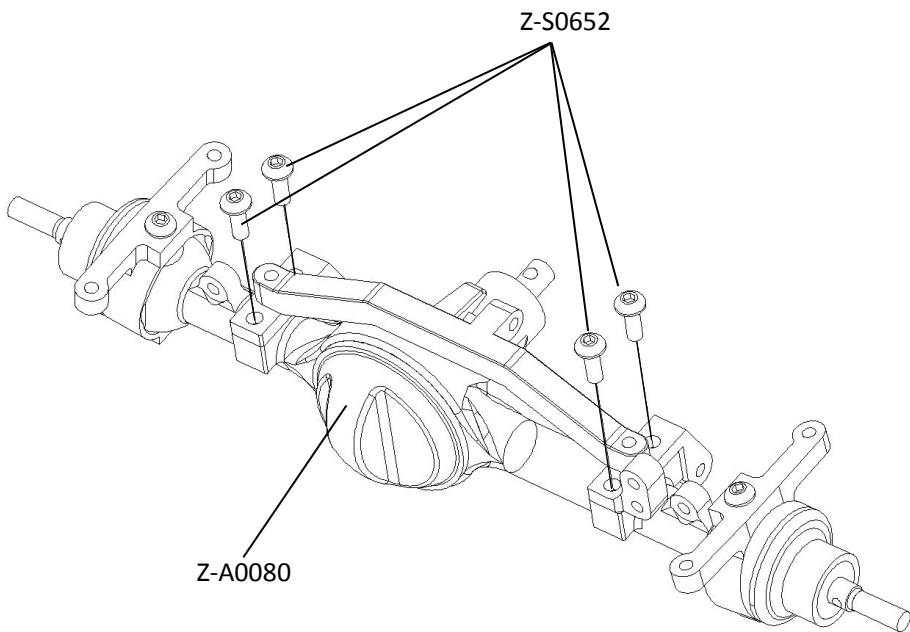
“Z-S1540-2”&“Z-S1540-3”&“Z-S1540-4” can be found
in Bag 28.



Z-S0648 
M3X6 flat head



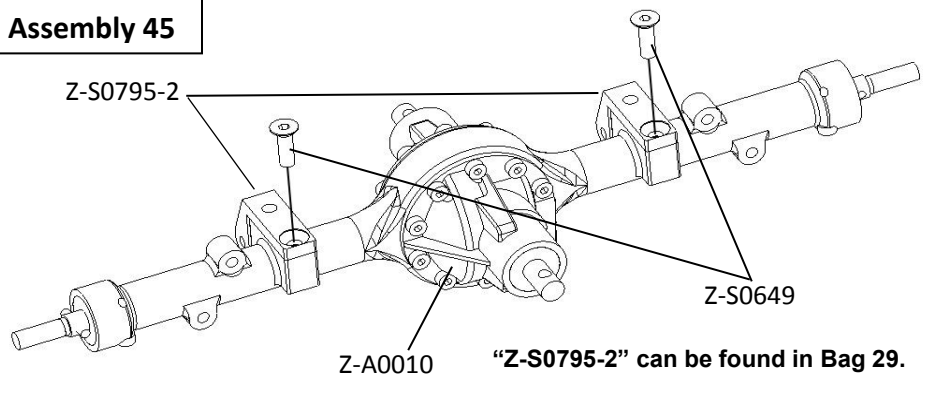
Assembly 44



Z-S0652 
M3X8 button head



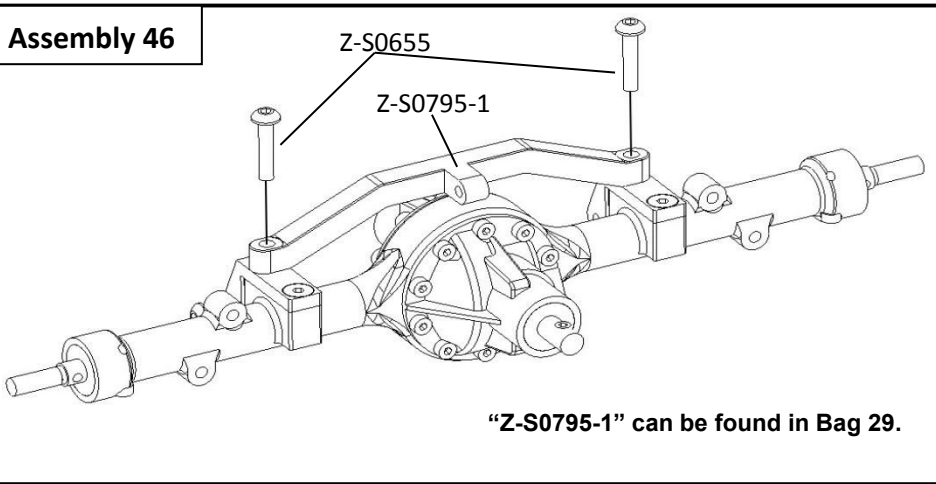
Assembly 45




Z-S0649 
M3X8 flat head



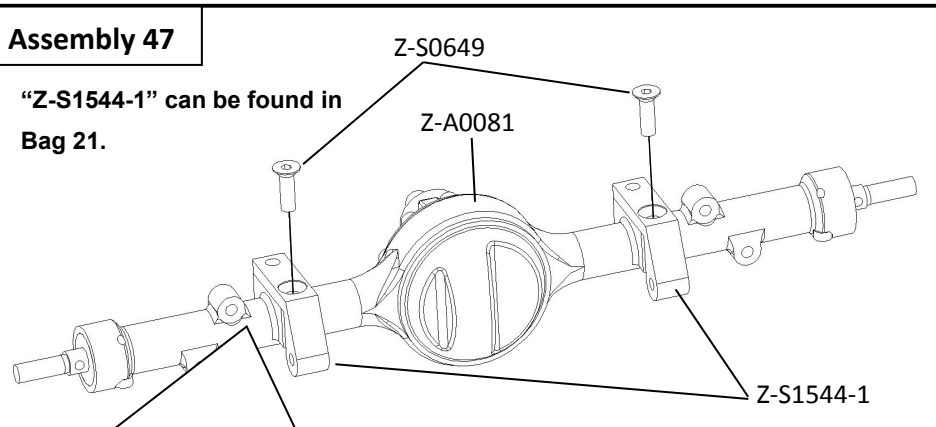
Assembly 46



Z-S0655 
M3X14 button head



Assembly 47

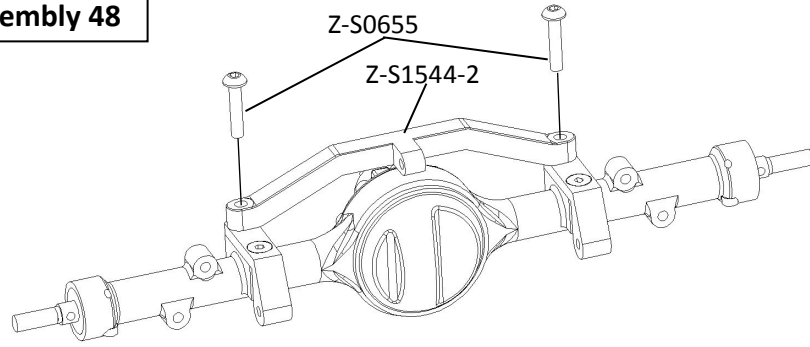


Z-S0649 
M3X8 flat head

Note: If your rear axle does not work normally or you have purchased a new rear axle. Please notice the installing direction of the diff gear. Please look at pages 52 to 54 for adjustment method.



Assembly 48

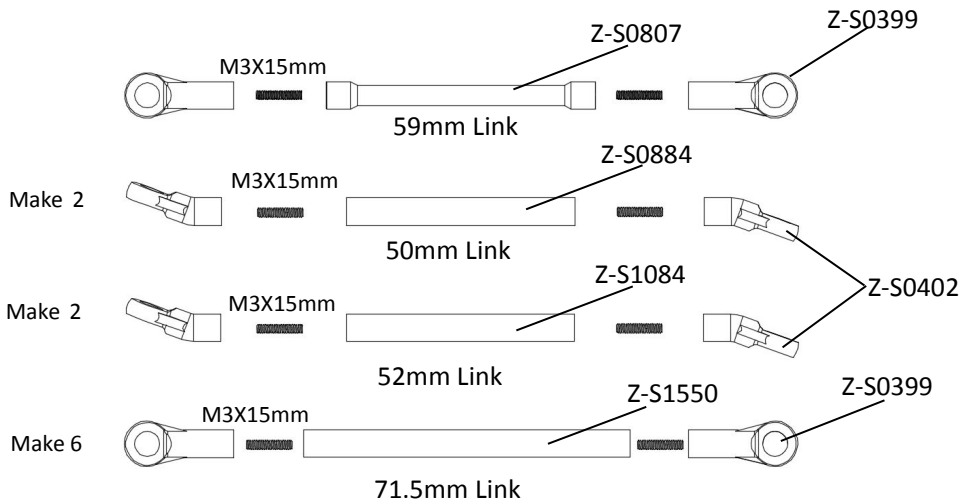


"Z-S1544-2" can be found in Bag 21.

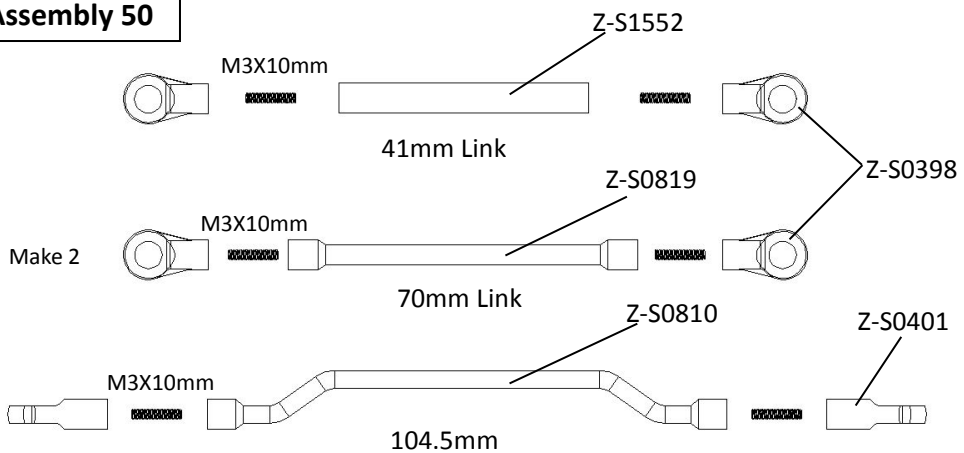


Assembly 49

Links can be found in Bag 23/24/25/26/27.
Rod Ends can be found in Bag 31/32/33/34.

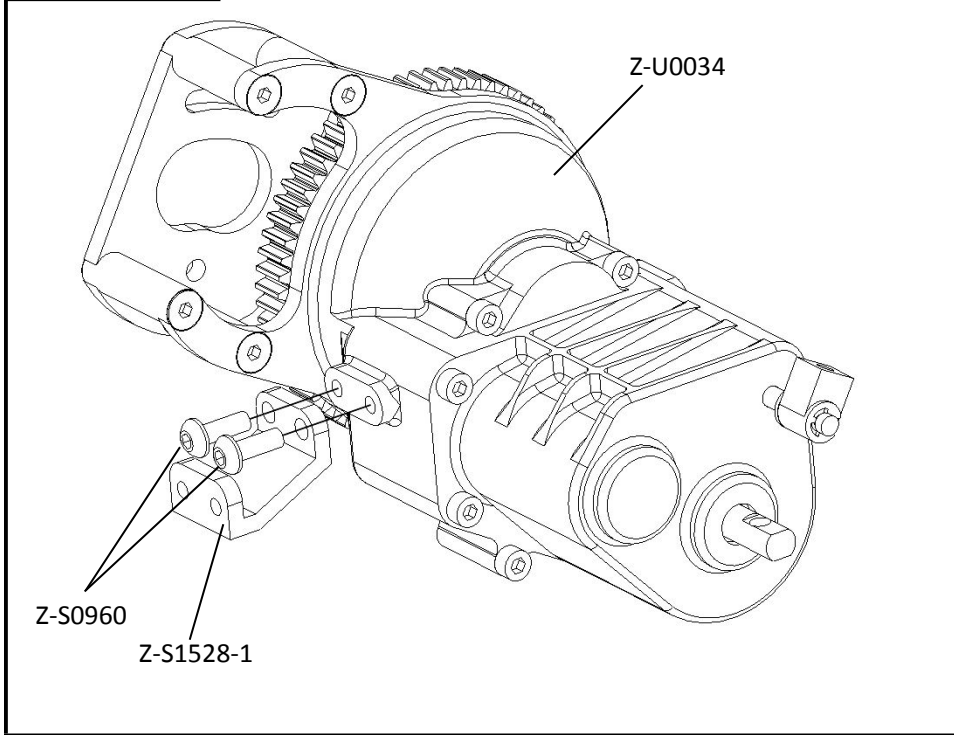


Assembly 50



Assembly 51

"Z-S1528-1" can be found in Bag 19.

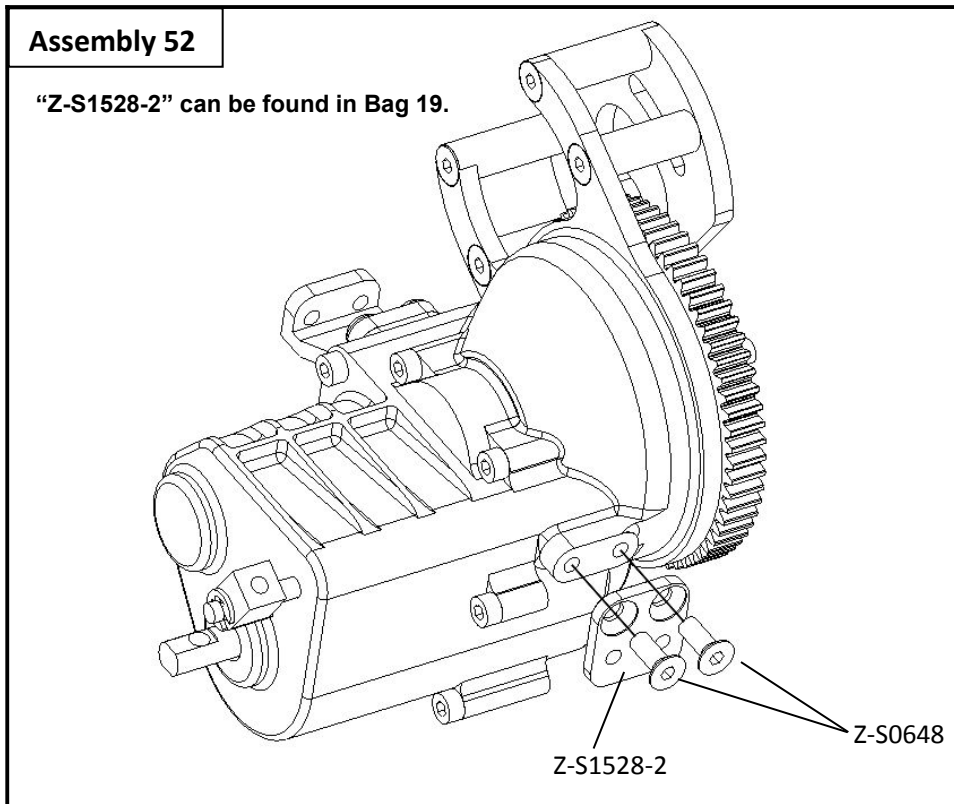



Z-S0960 
M3X6 button head



Assembly 52

"Z-S1528-2" can be found in Bag 19.

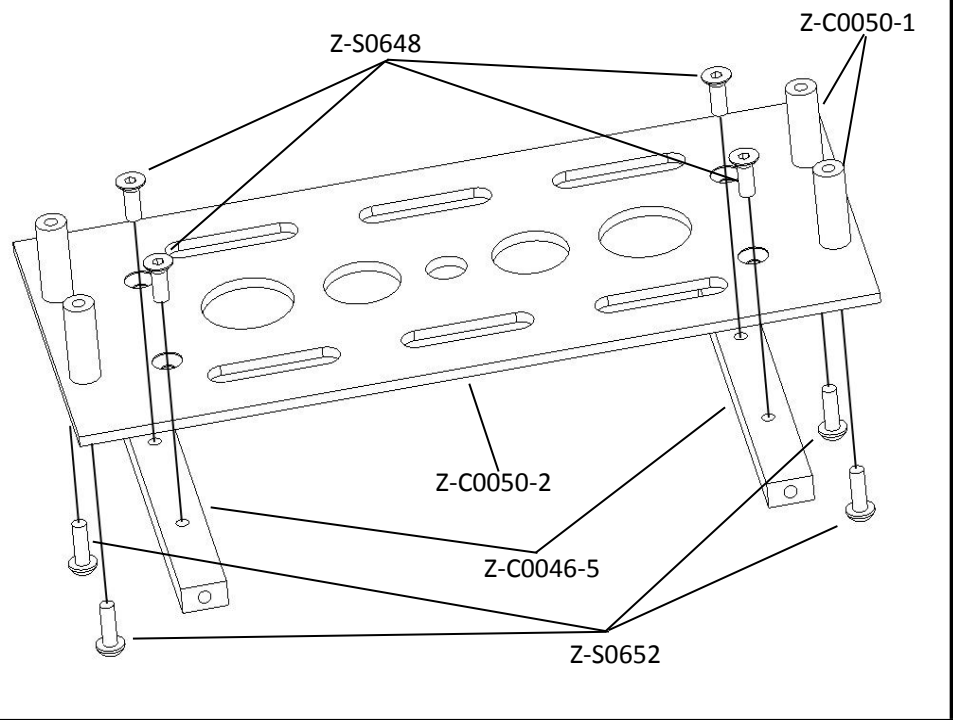


Z-S0648 
M3X6 flat head



Assembly 53

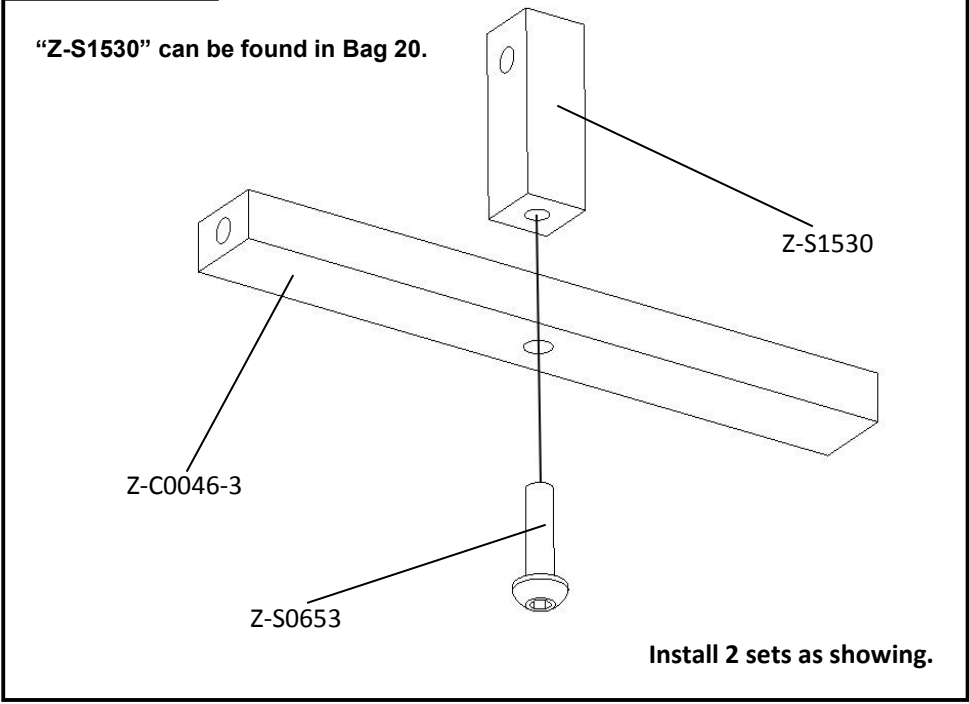
"Z-C0050-1" can be found in Bag 19.



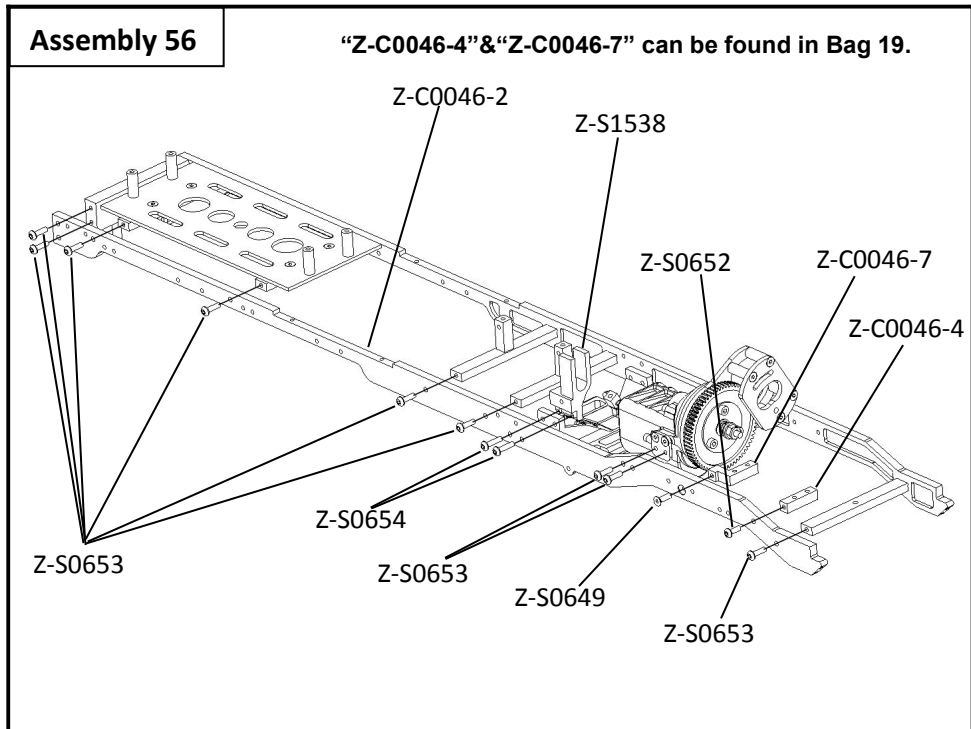
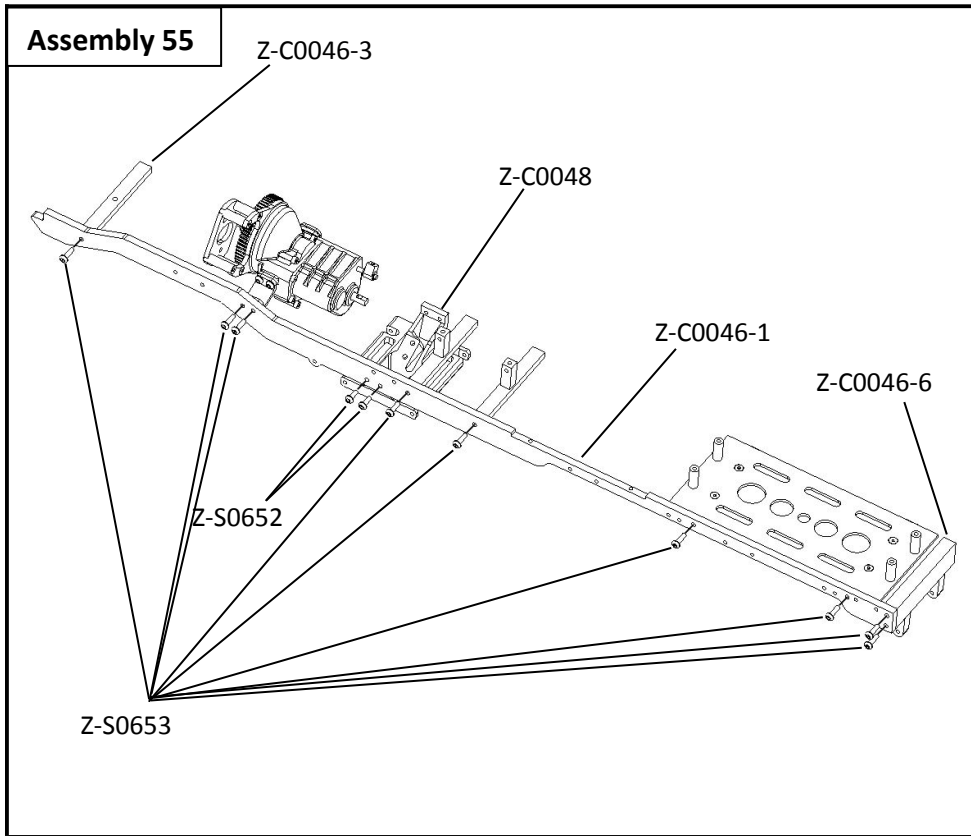
- Z-C0050-1
- Z-S0648 M3X6 flat head
- Z-S0652 M3X8 button head

Assembly 54

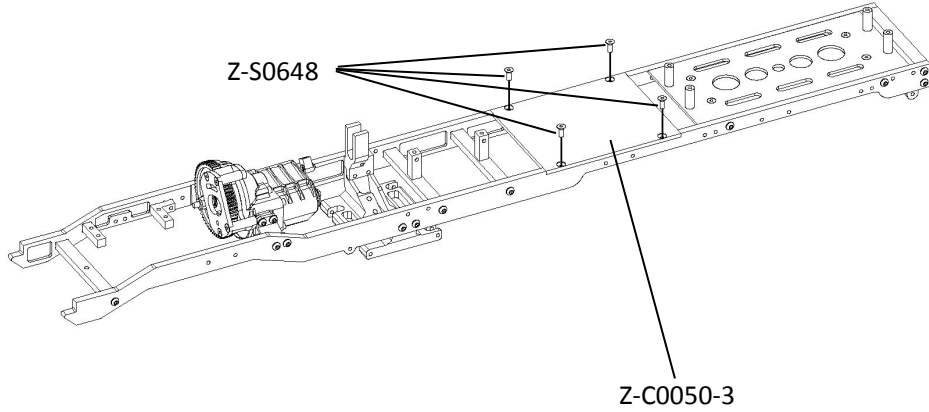
"Z-S1530" can be found in Bag 20.



- Z-S0653 M3X10 button head



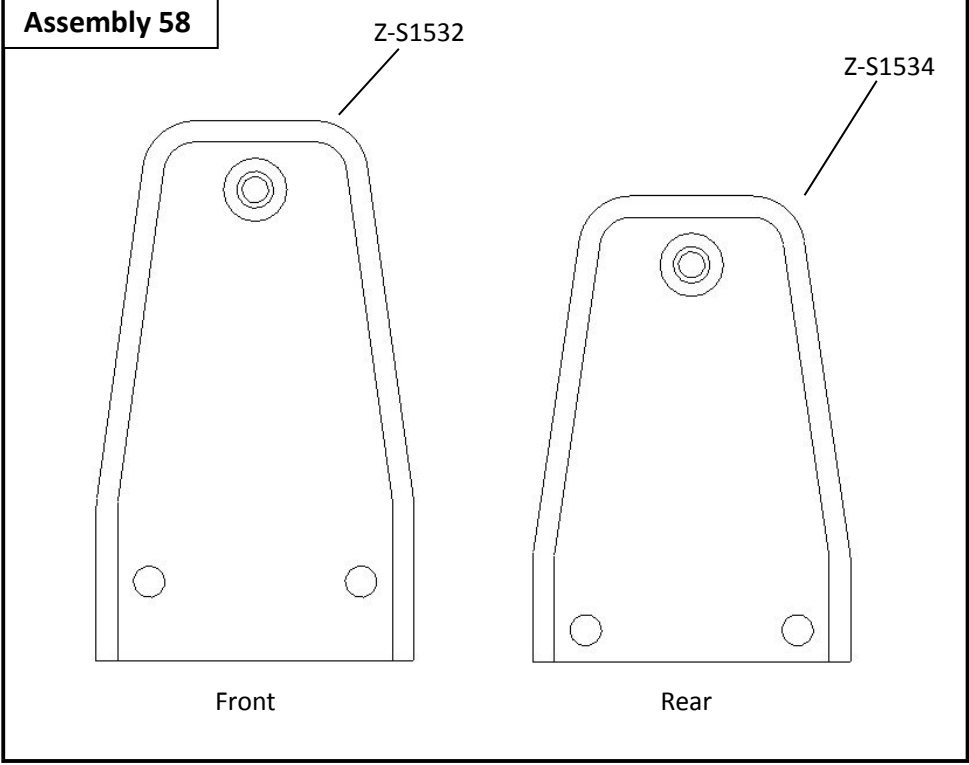
Assembly 57



Z-S0648 
M3X6 flat head

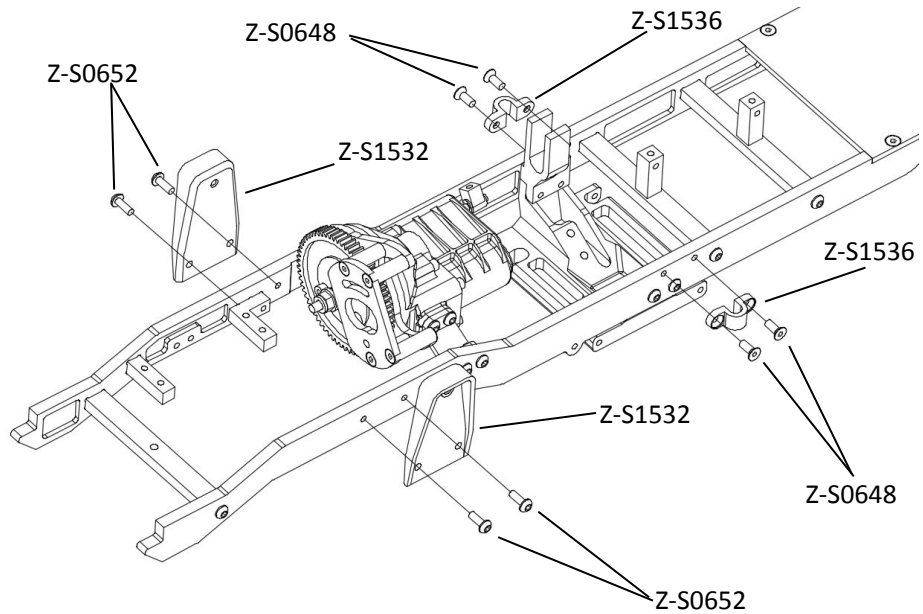


Assembly 58



Assembly 59

"Z-S1536" can be found in Bag 20.

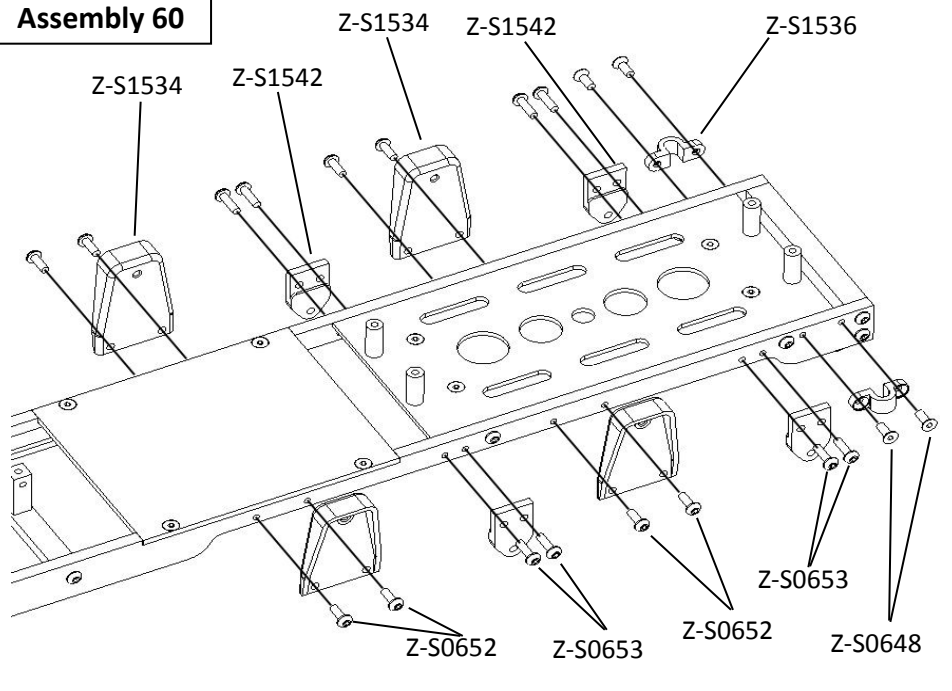


Z-S0648 
M3X6 flat head

Z-S0652 
M3X8 button head



Assembly 60



Z-S0648 
M3X6 flat head

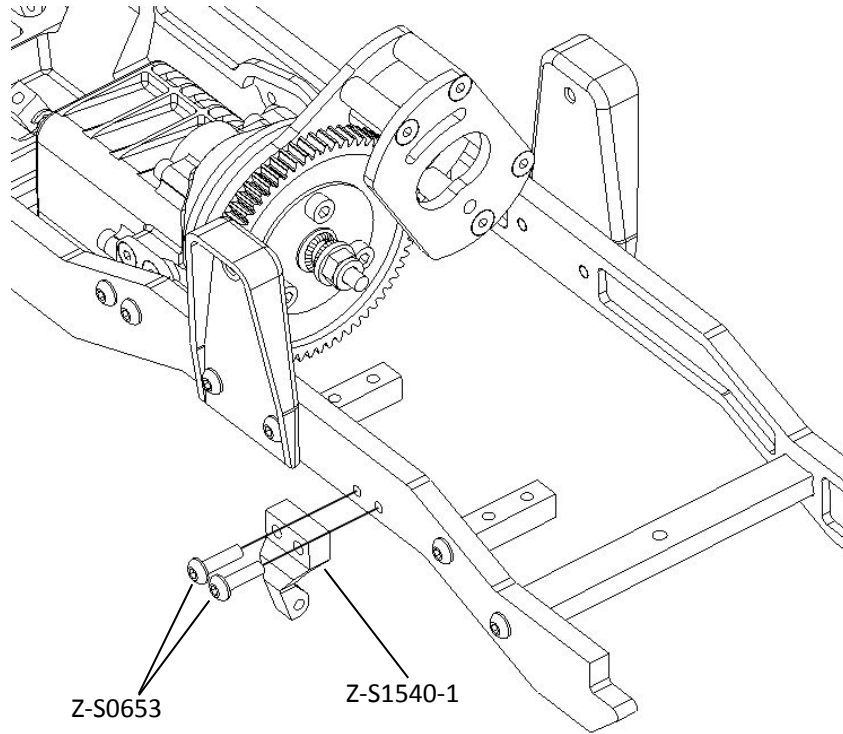
Z-S0653 
M3X10 button head

Z-S0652 
M3X8 button head



Assembly 61

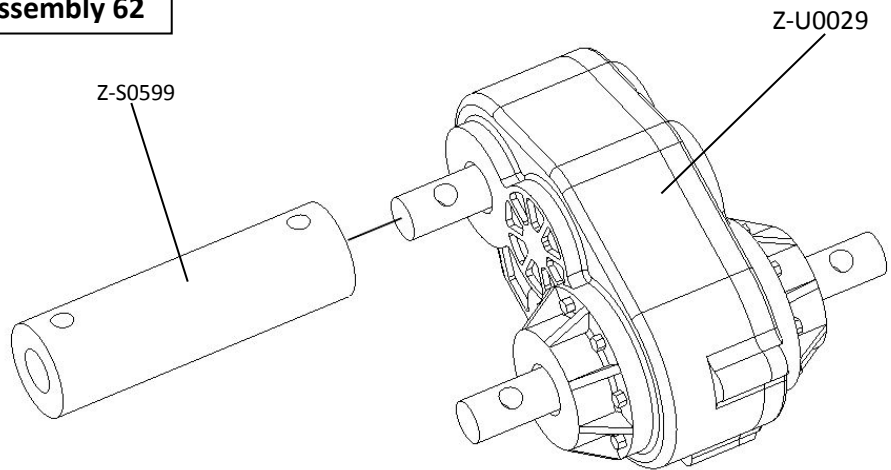
"Z-S1540-1" can be found in Bag 20.



Z-S0653 
M3X10 button head

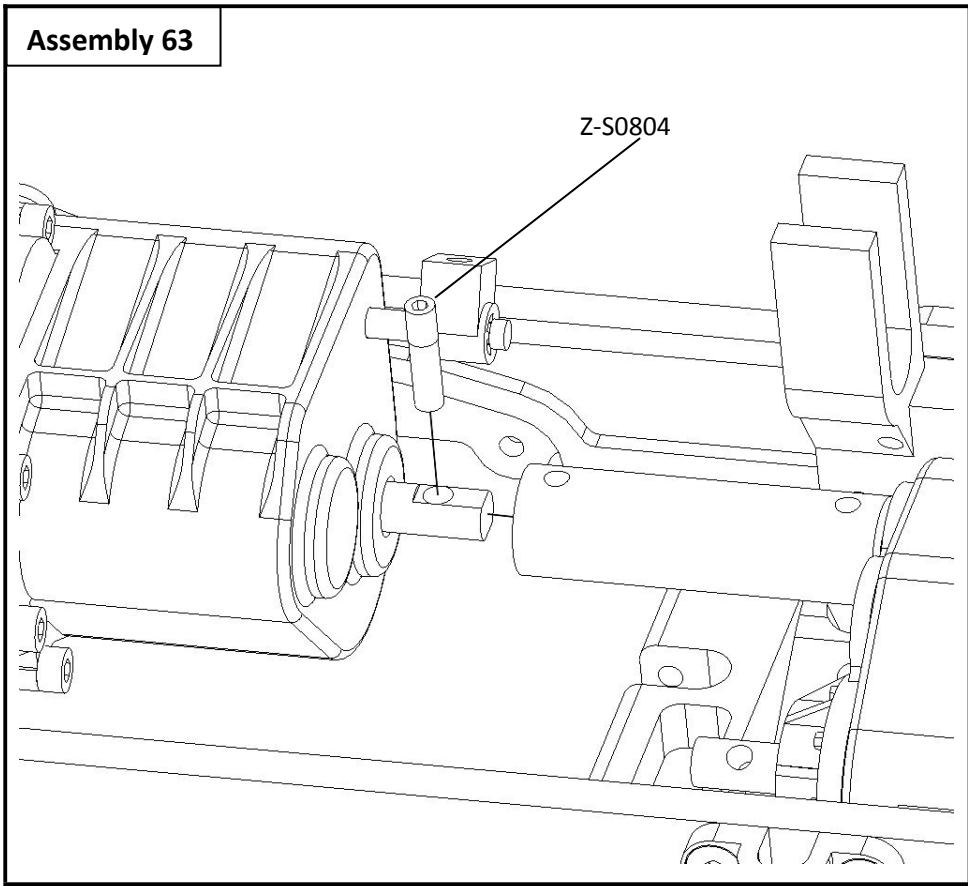



Assembly 62



Z-S0599 

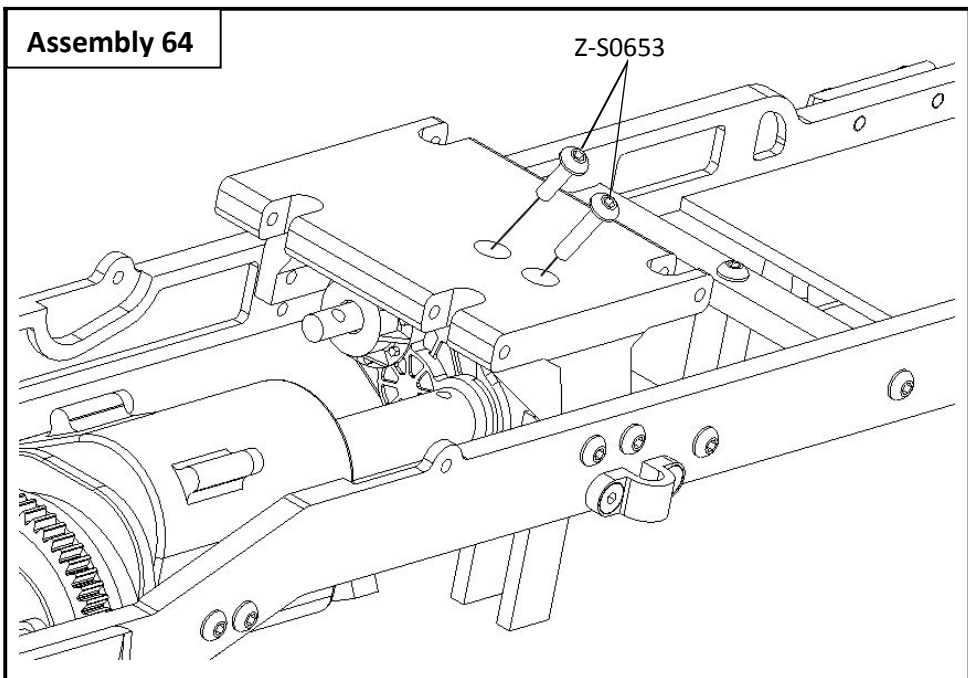
Assembly 63



Z-S0804 
M3 Driveshaft Pin

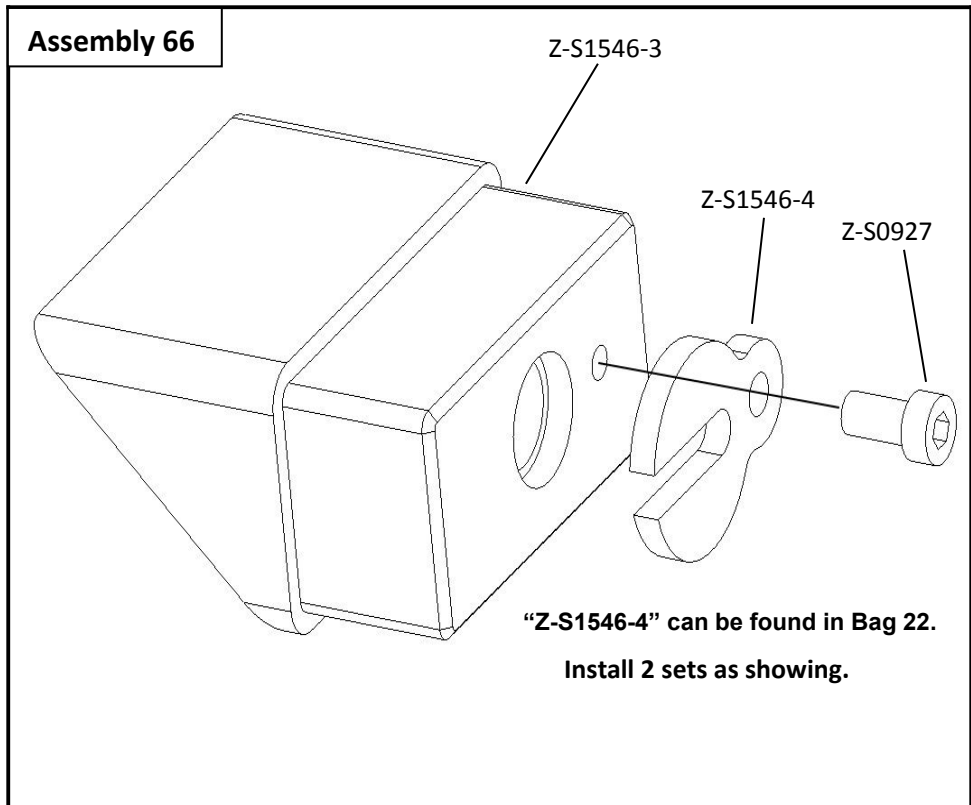
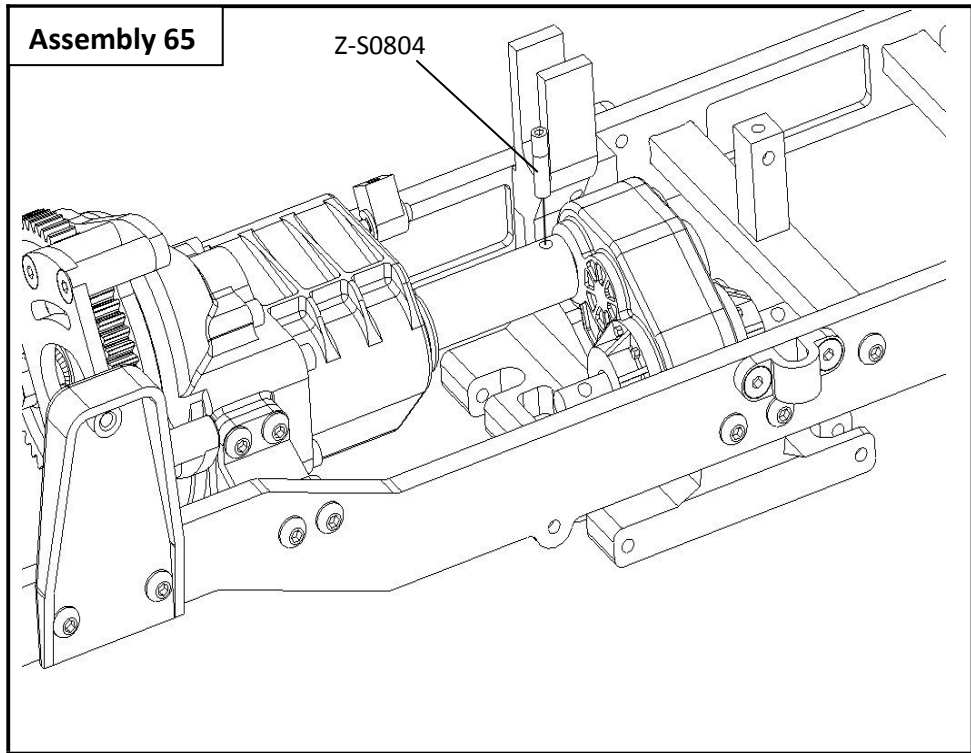


Assembly 64



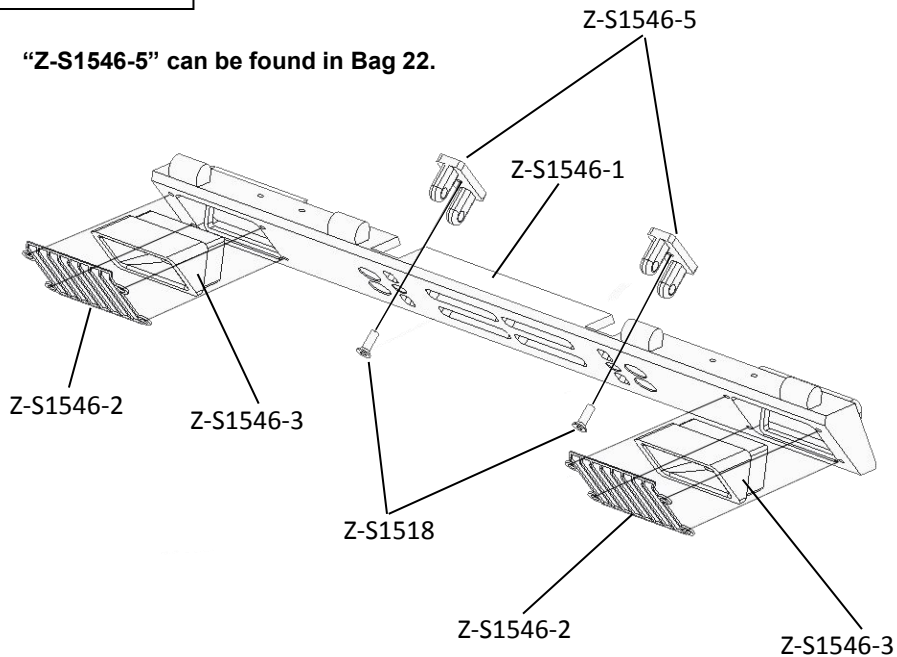
Z-S0653 
M3X10 button head





Assembly 67

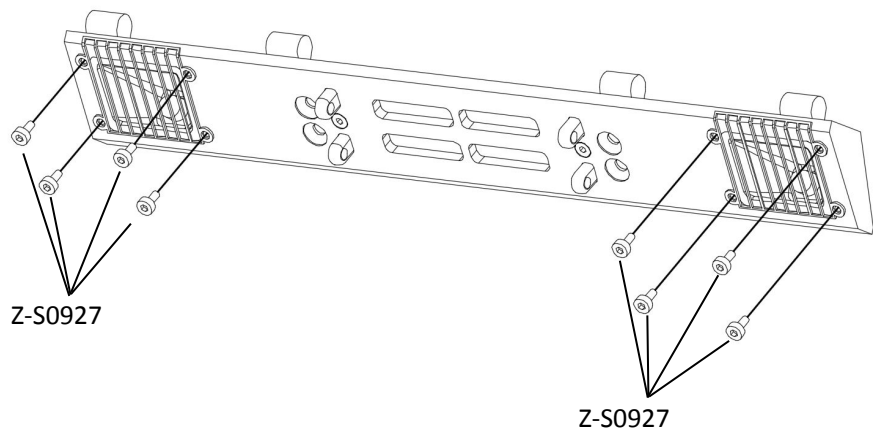
"Z-S1546-5" can be found in Bag 22.

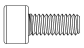


Z-S1518 
M2X6 flat head



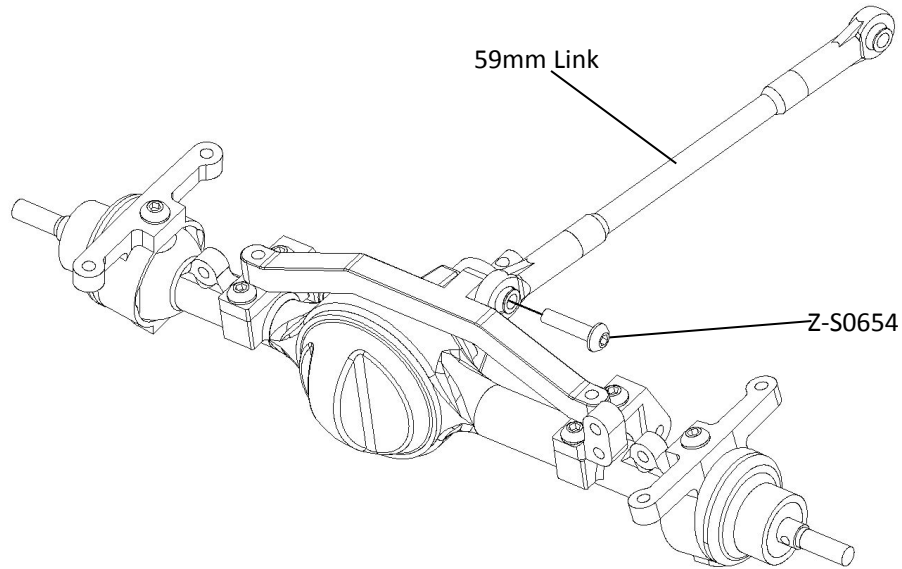
Assembly 68



Z-S0927 
M2X4 cap head



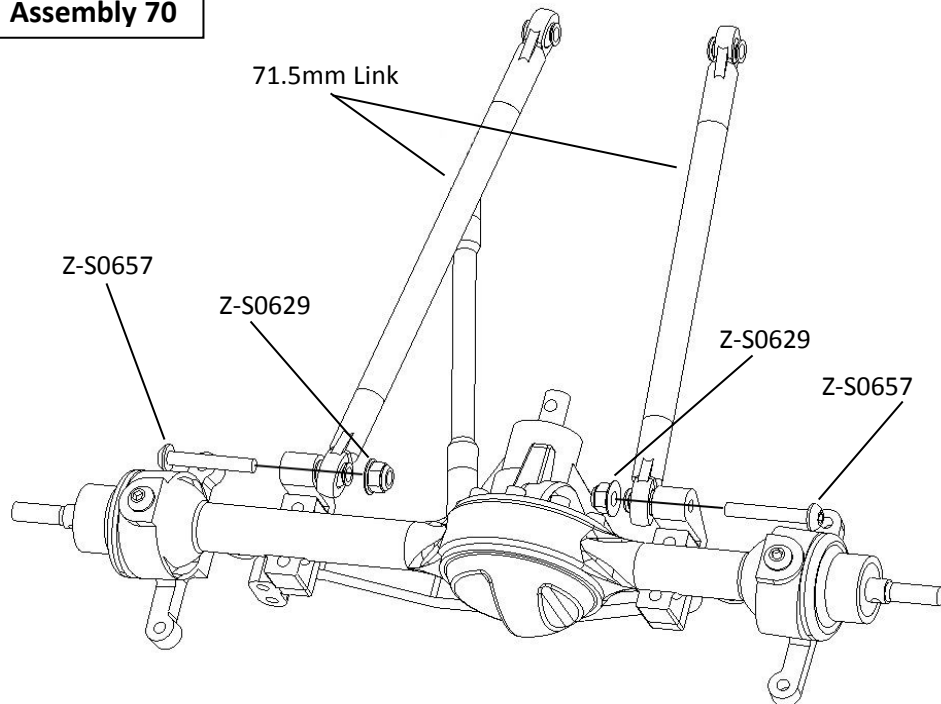
Assembly 69



Z-S0654 
M3X12 button head



Assembly 70



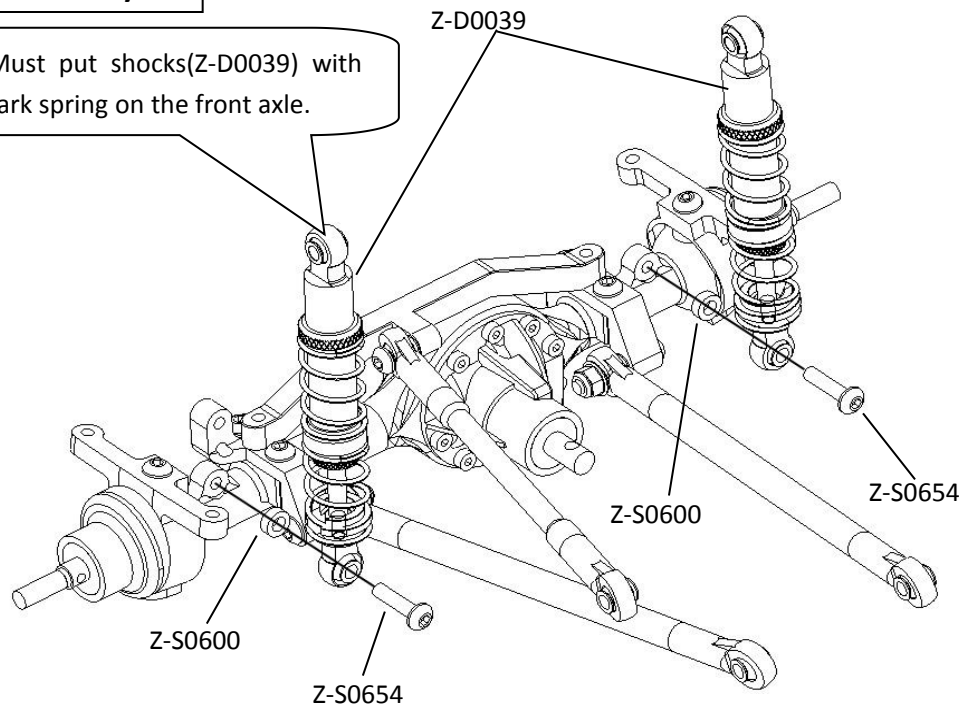
Z-S0629 
M3 nut

Z-S0657 
M3X18 button head



Assembly 71

Note: Must put shocks(Z-D0039) with color mark spring on the front axle.



Z-S0600



M3 X 2 Spacer

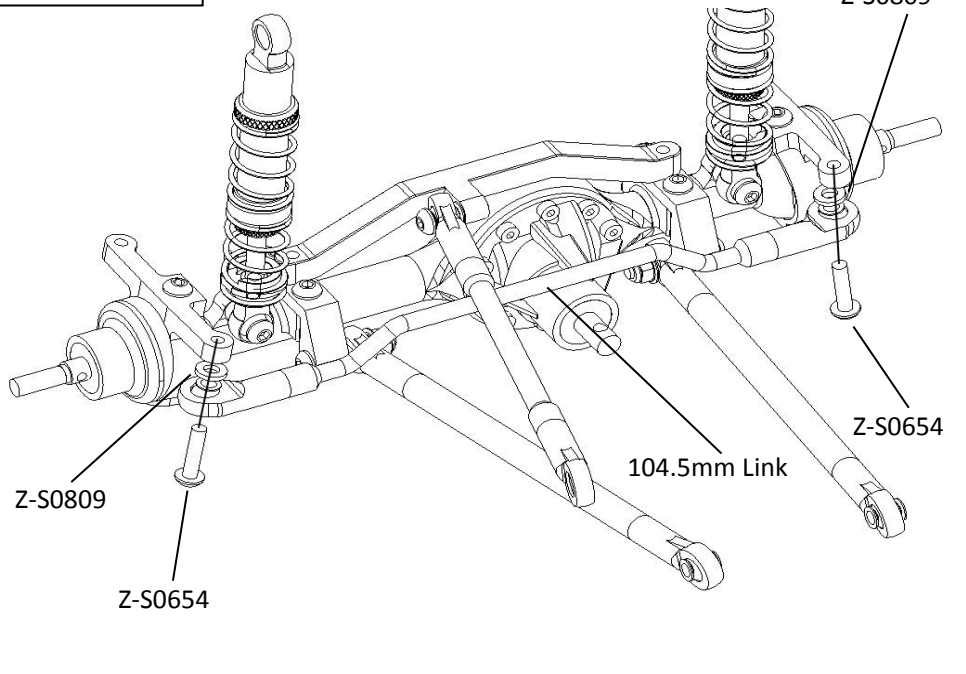
Z-S0654



M3X12 button head



Assembly 72



Z-S0809



M3 X 1 Spacer

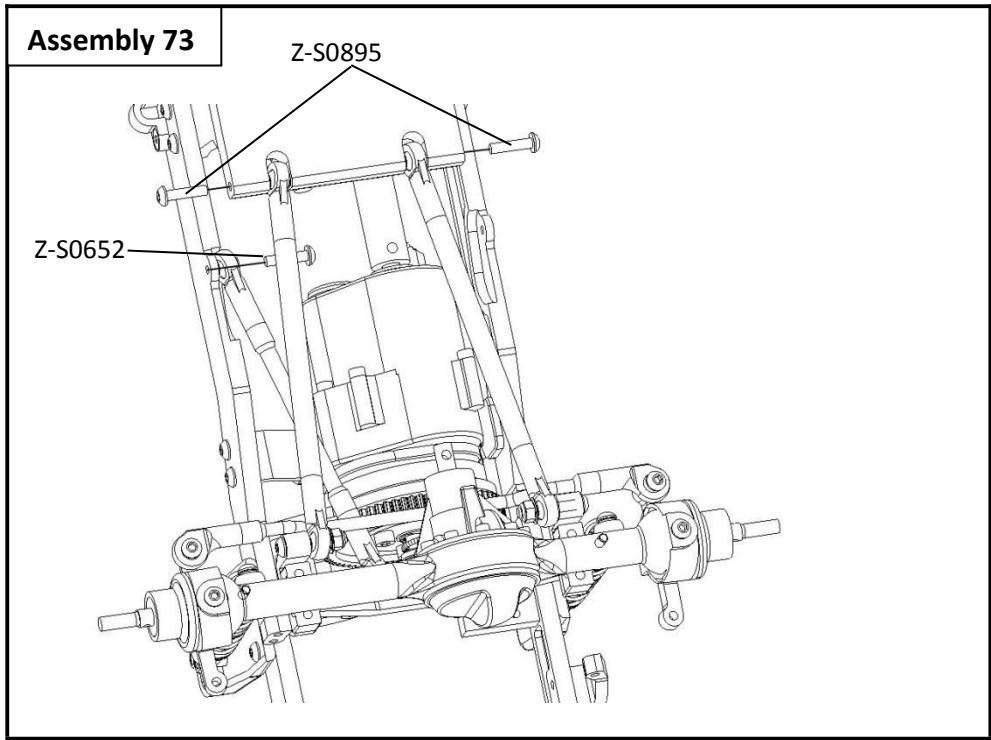
Z-S0654





M3X12 button head



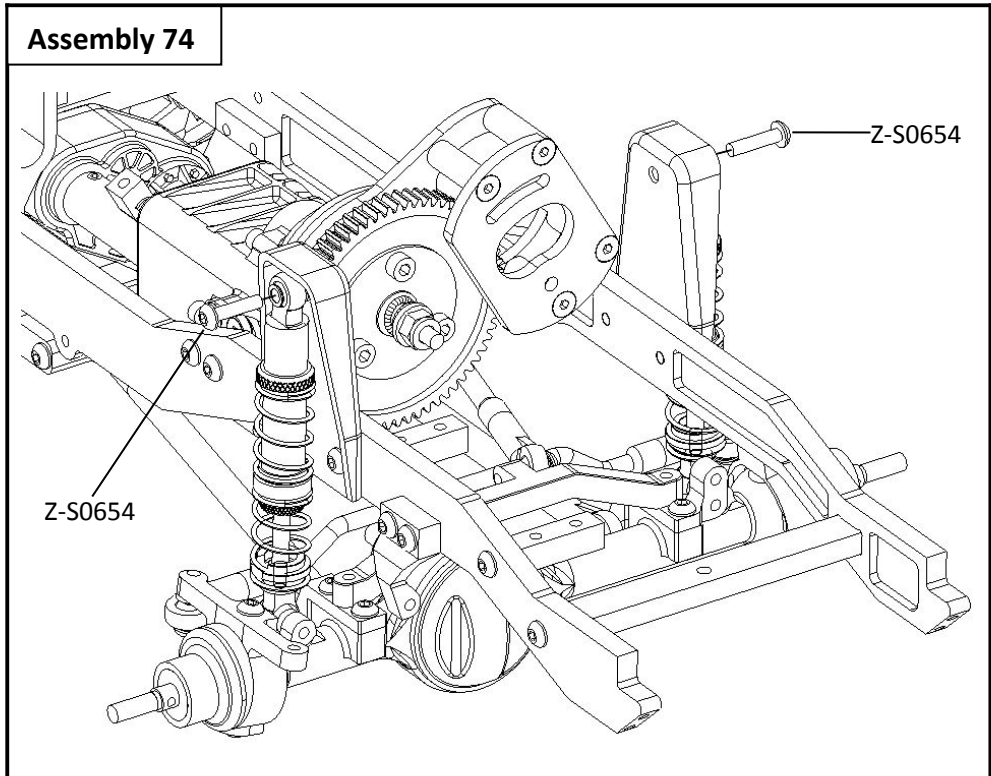
Assembly 73




- Z-S0652  M3X8 button head
- Z-S0895  M3X20 button head



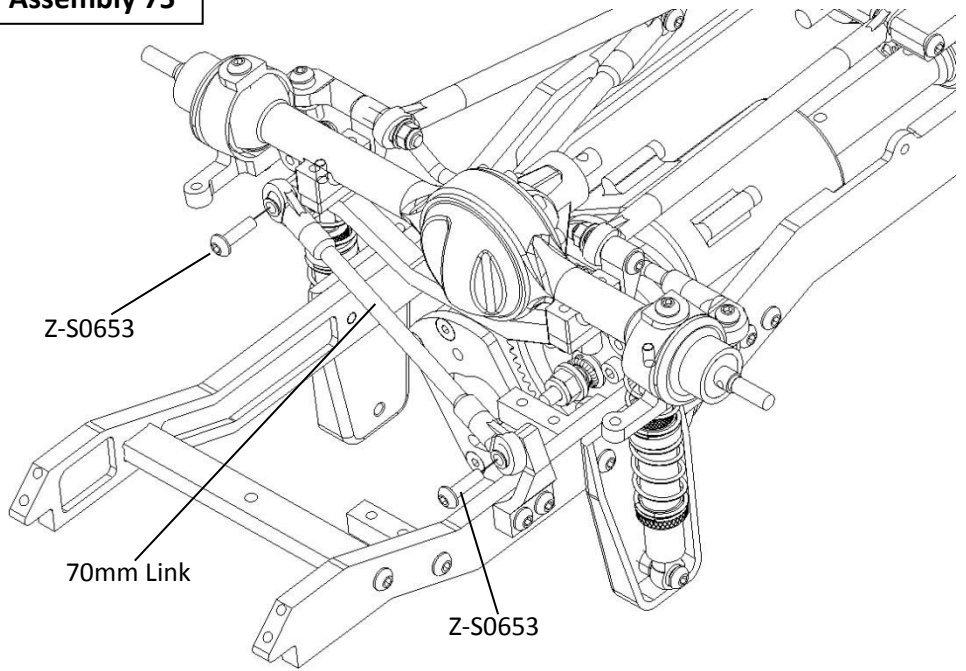
Assembly 74



- Z-S0654  M3X12 button head



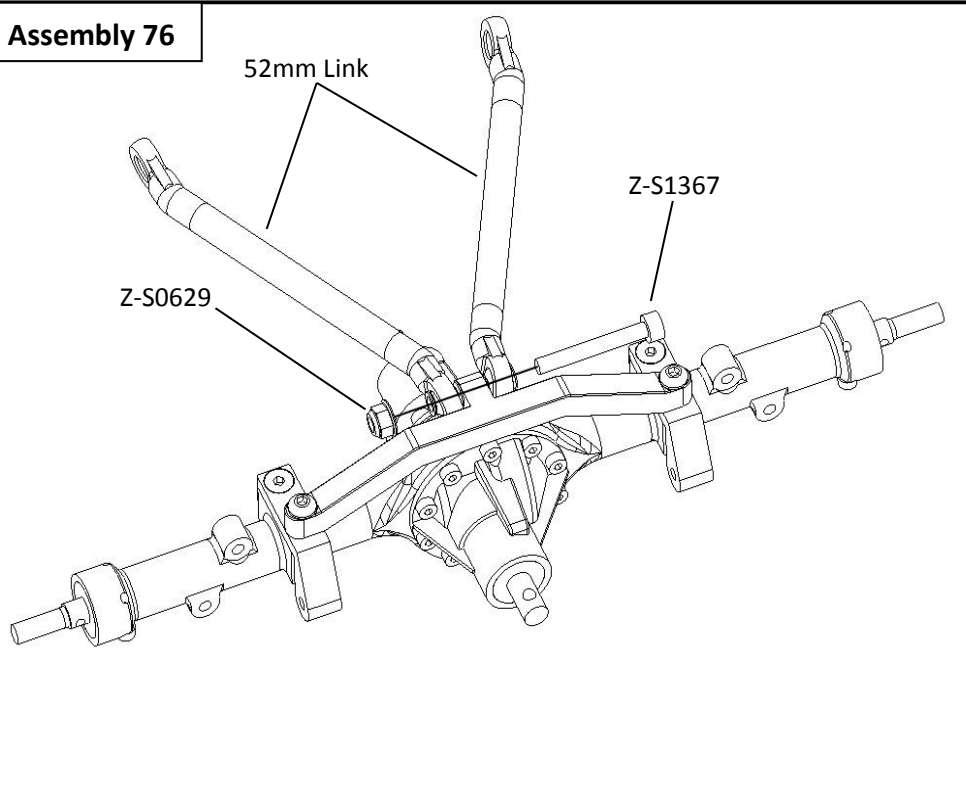
Assembly 75




Z-S0653 
M3X10 button head



Assembly 76

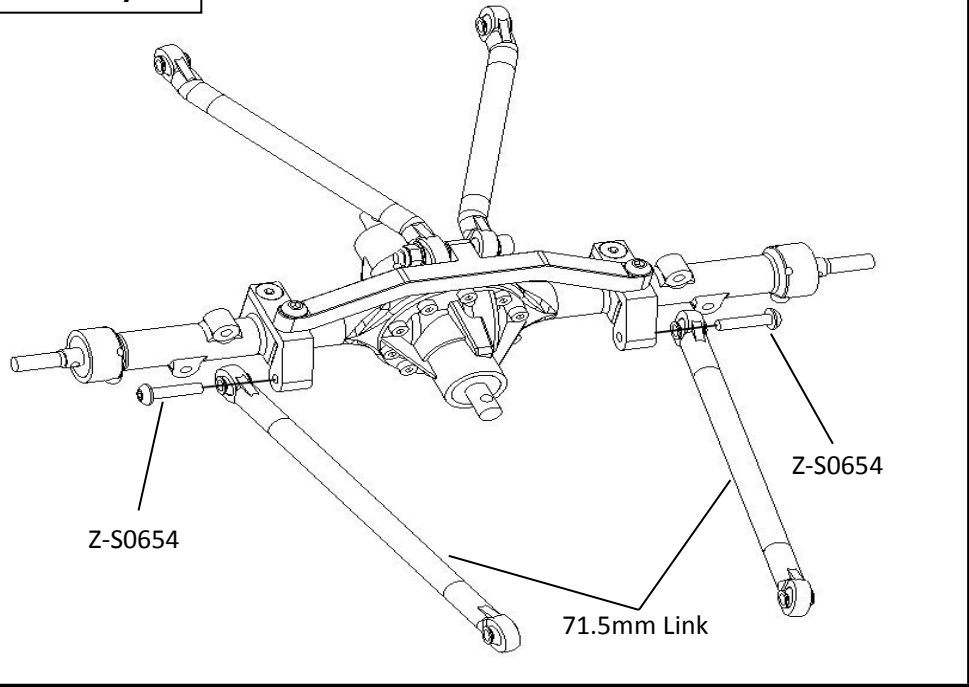



Z-S0629 
M3 nut

Z-S1367 
M3X22 cap head



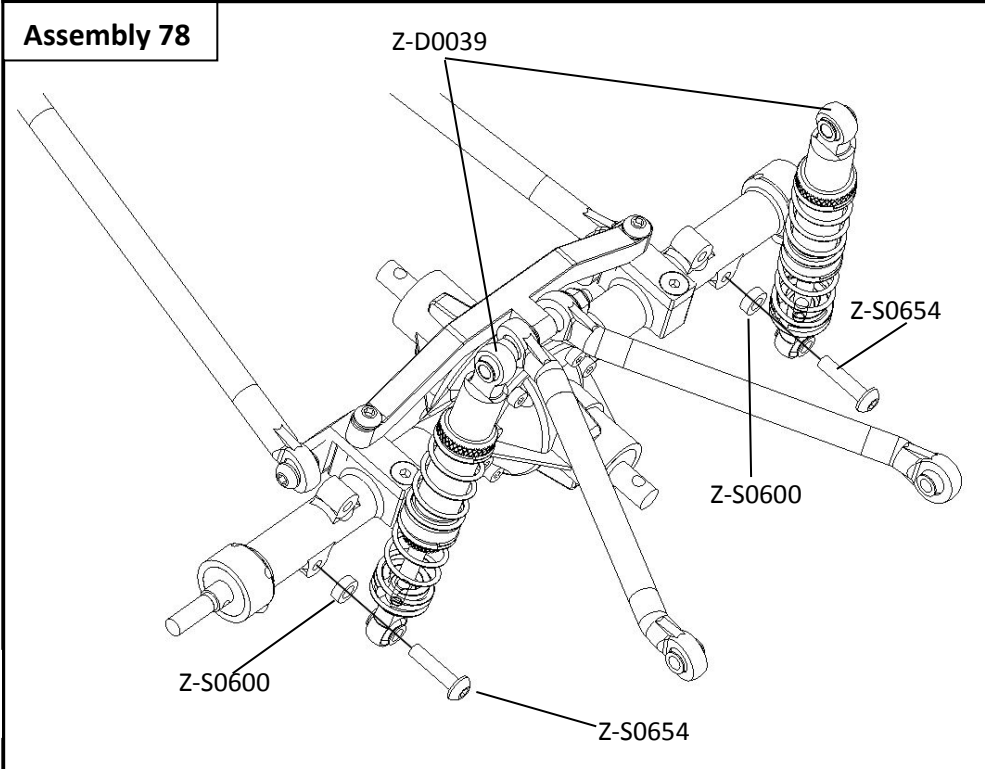
Assembly 77

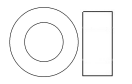


Z-S0654 
M3X12 button head



Assembly 78

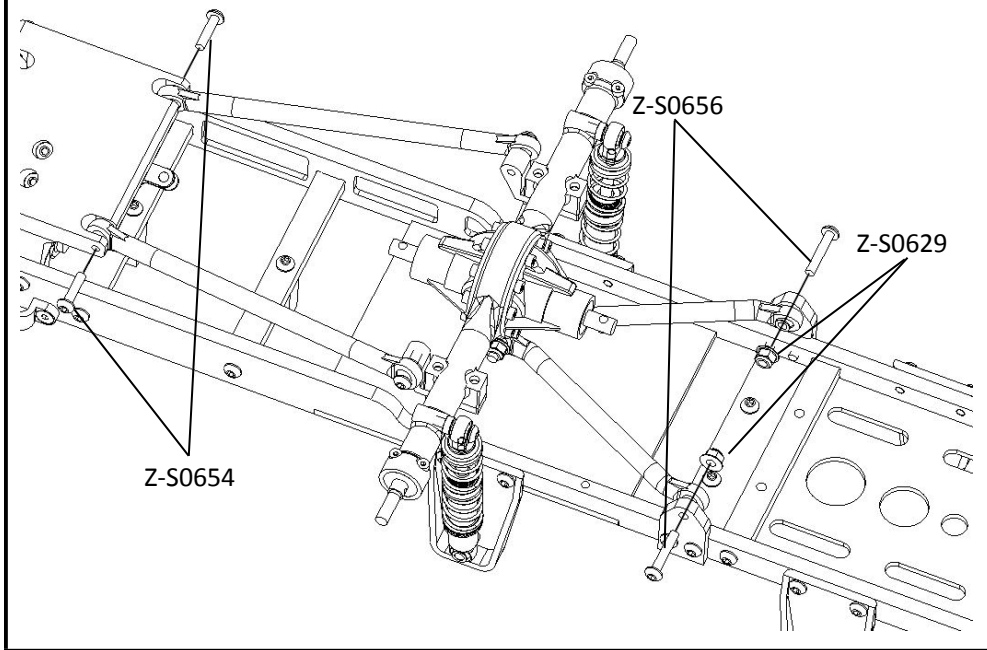


Z-S0600 
M3 X 2 Spacer

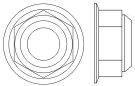
Z-S0654 
M3X12 button head



Assembly 79



Z-S0629



M3 nut

Z-S0654



M3X12 button head

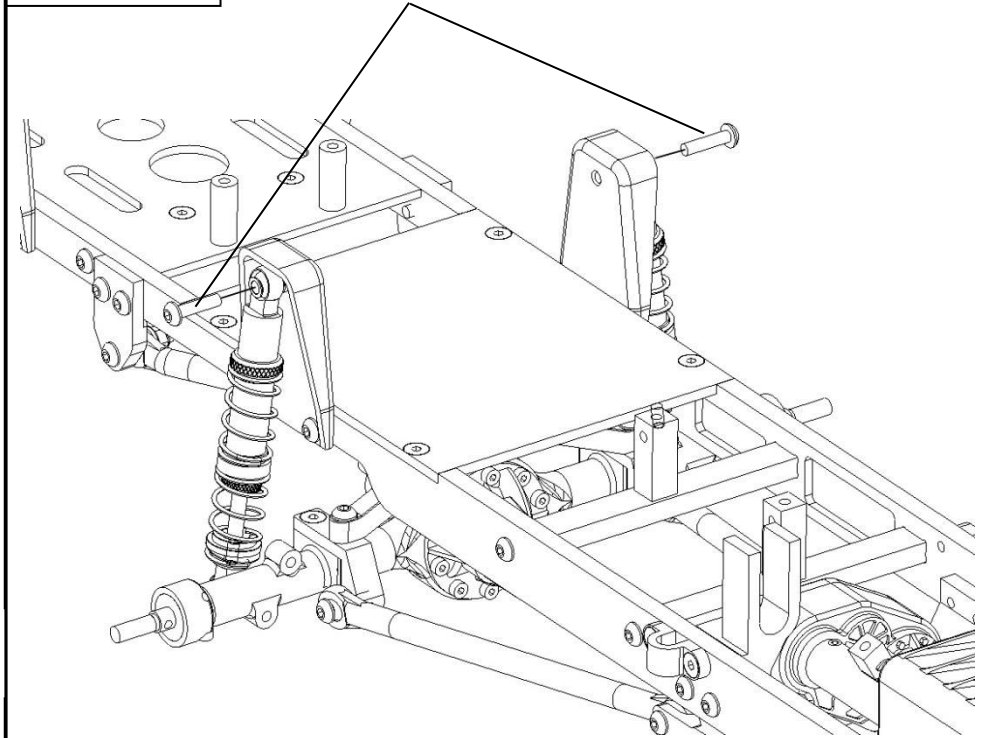
Z-S0656



M3X16 button head



Assembly 80



Z-S0654

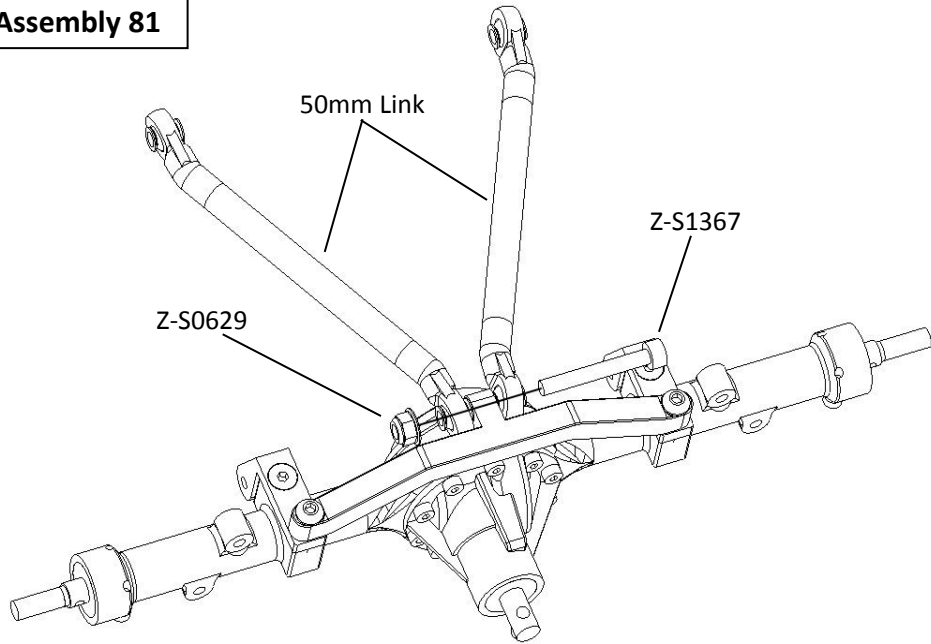
Z-S0654



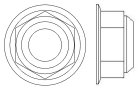
M3X12 button head



Assembly 81



Z-S0629



M3 nut

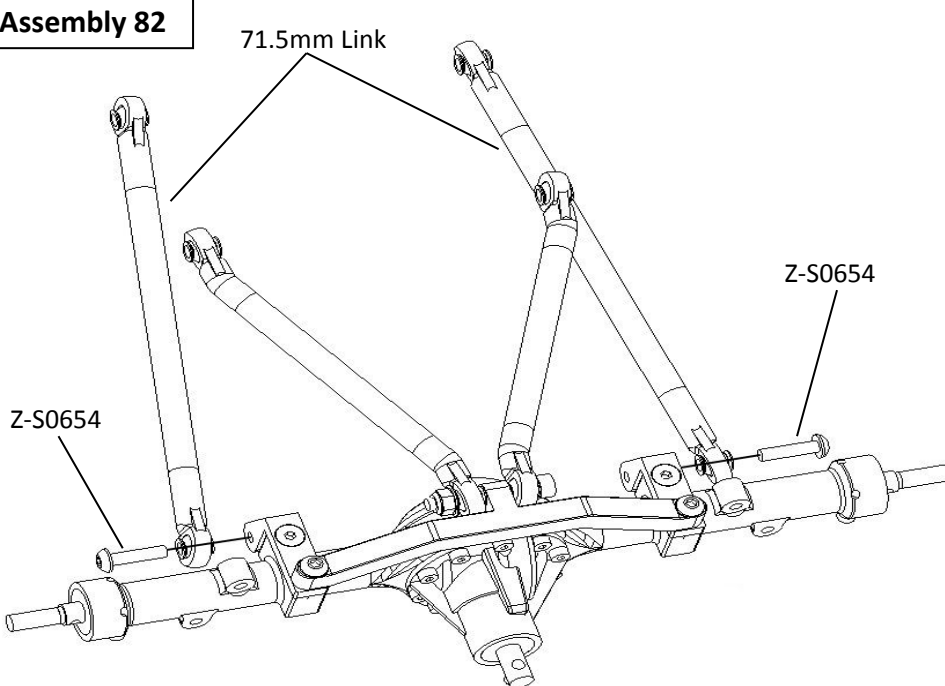
Z-S1367



M3X22 cap head



Assembly 82



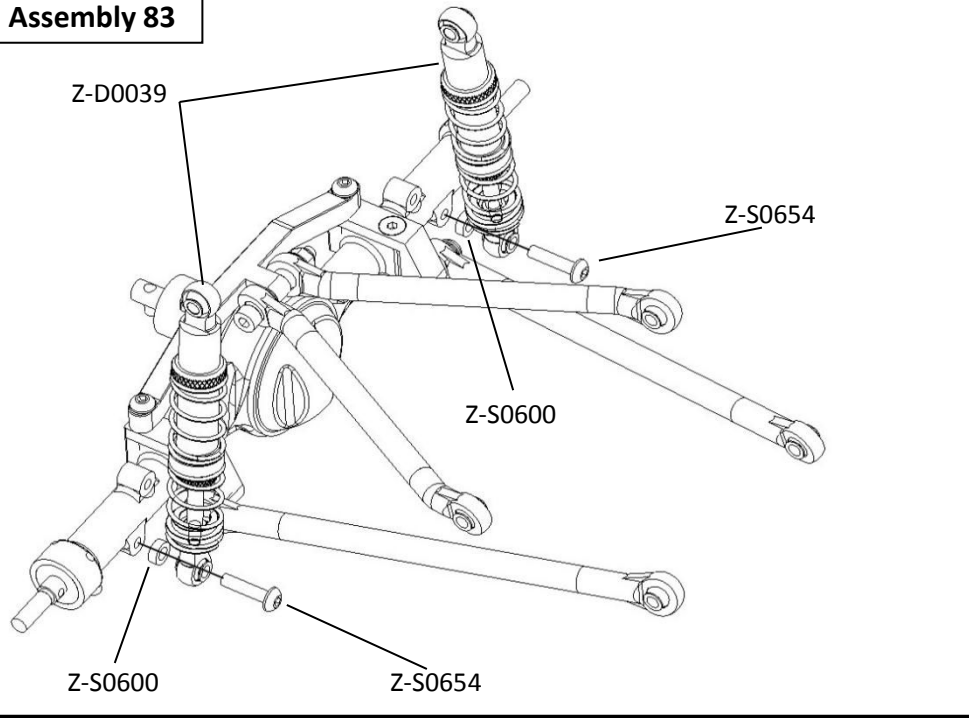
Z-S0654



M3X12 button head



Assembly 83



Z-S0600



M3 X 2 Spacer

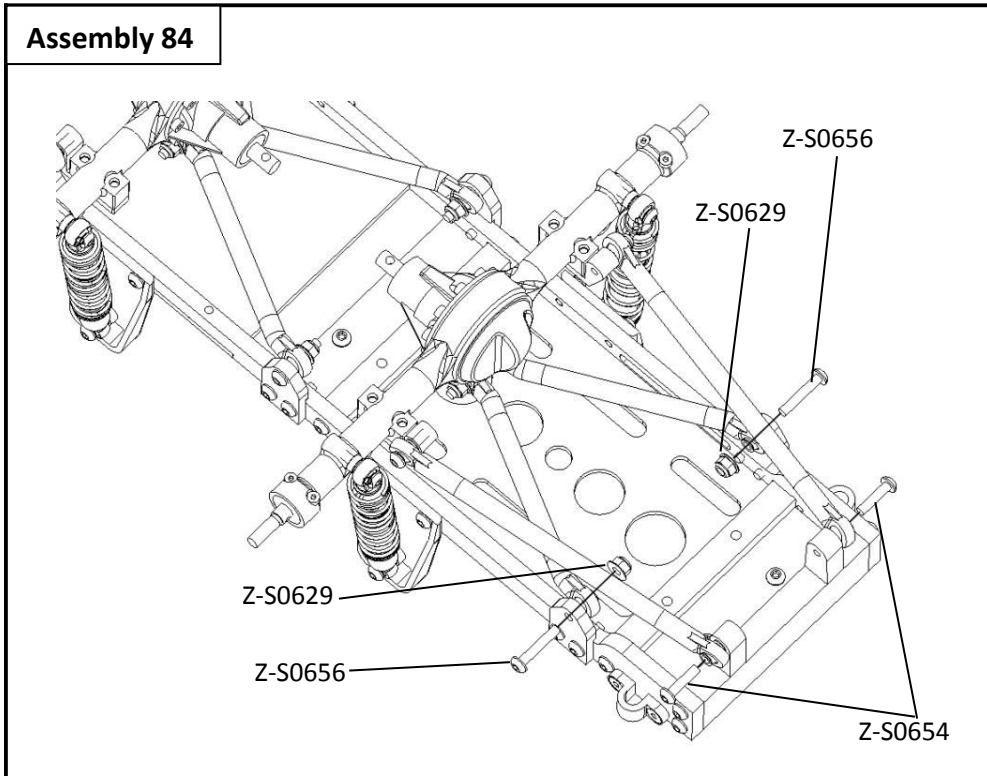
Z-S0654



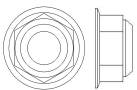
M3X12 button head



Assembly 84



Z-S0629



M3 nut

Z-S0654



M3X12 button head

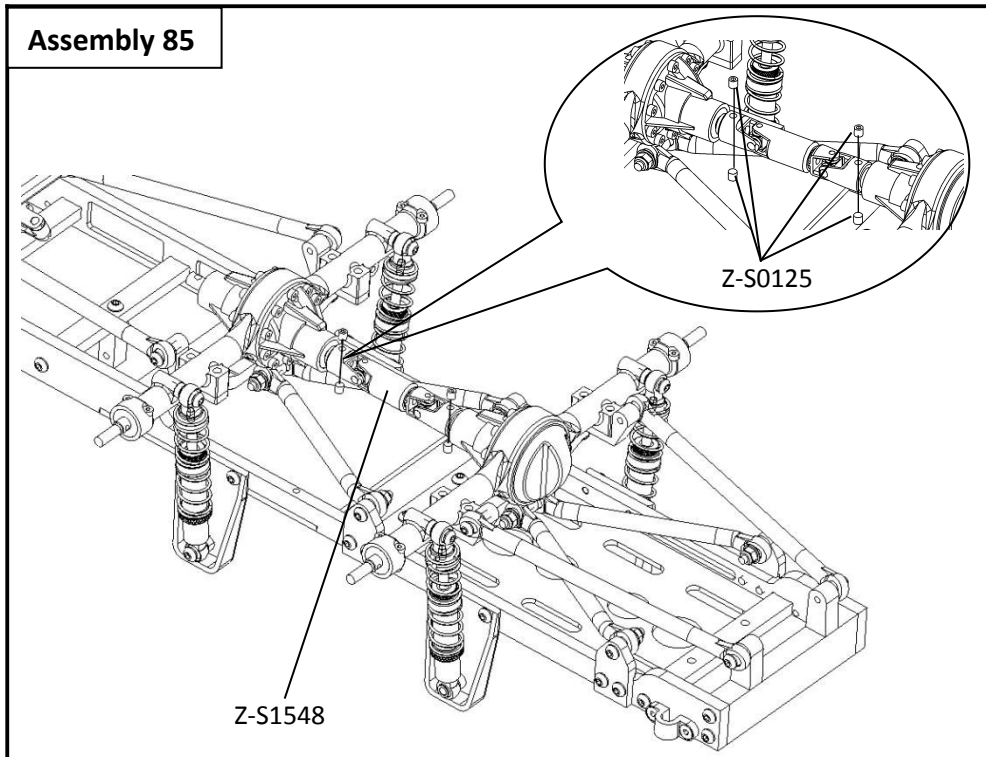
Z-S0656




M3X16 button head



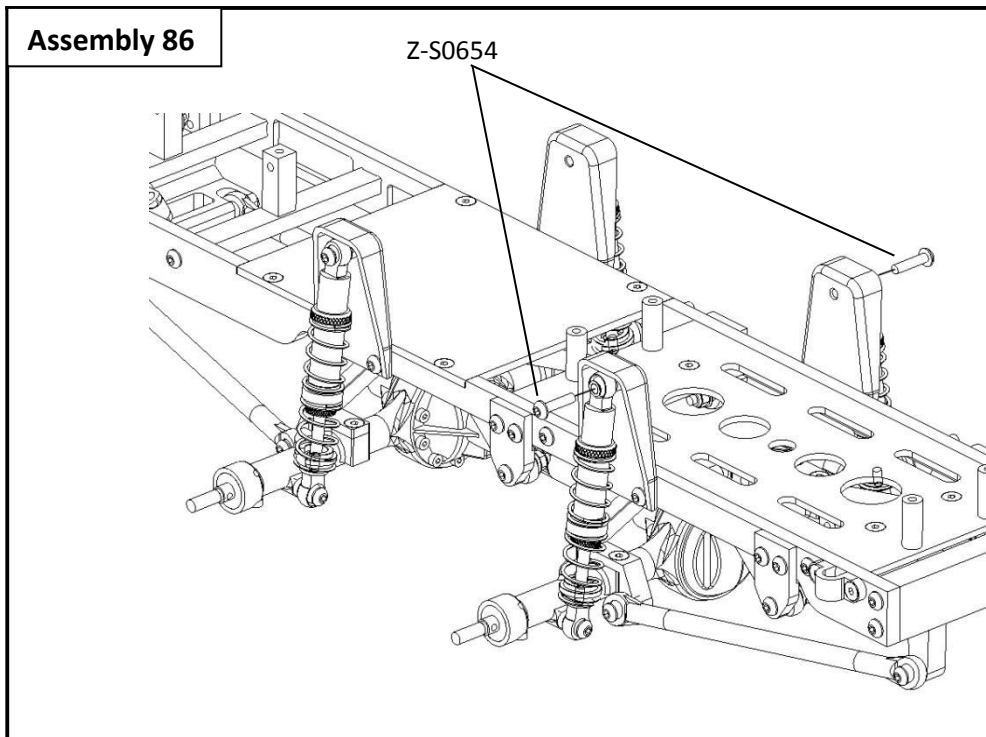
Assembly 85



Z-S0125 
M3X5 grub screw

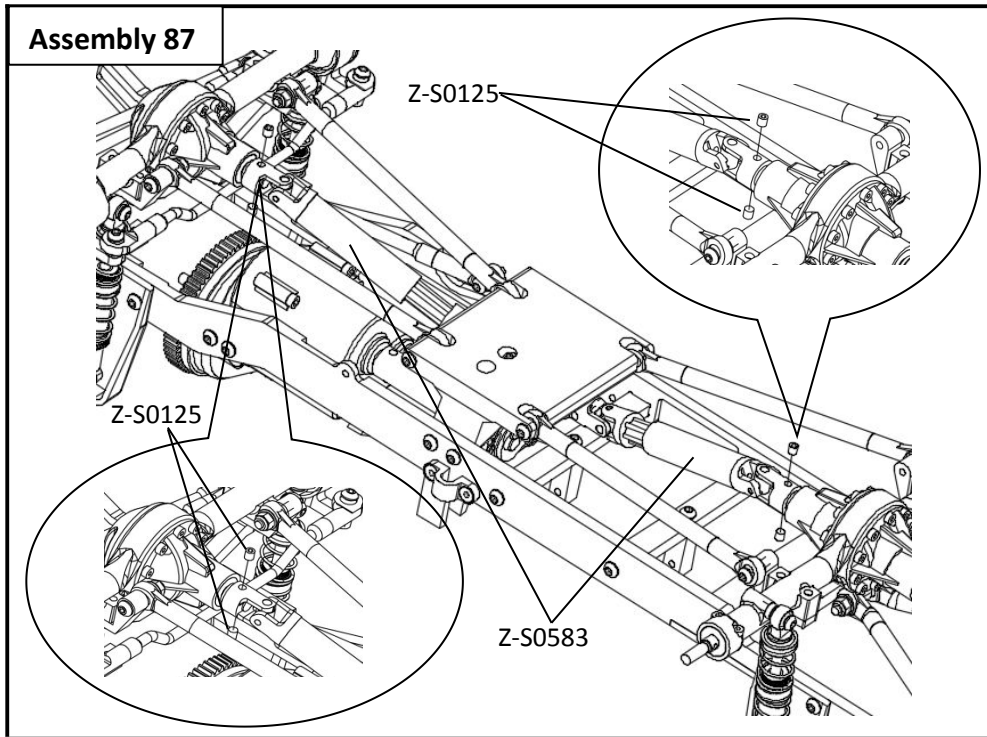



Assembly 86

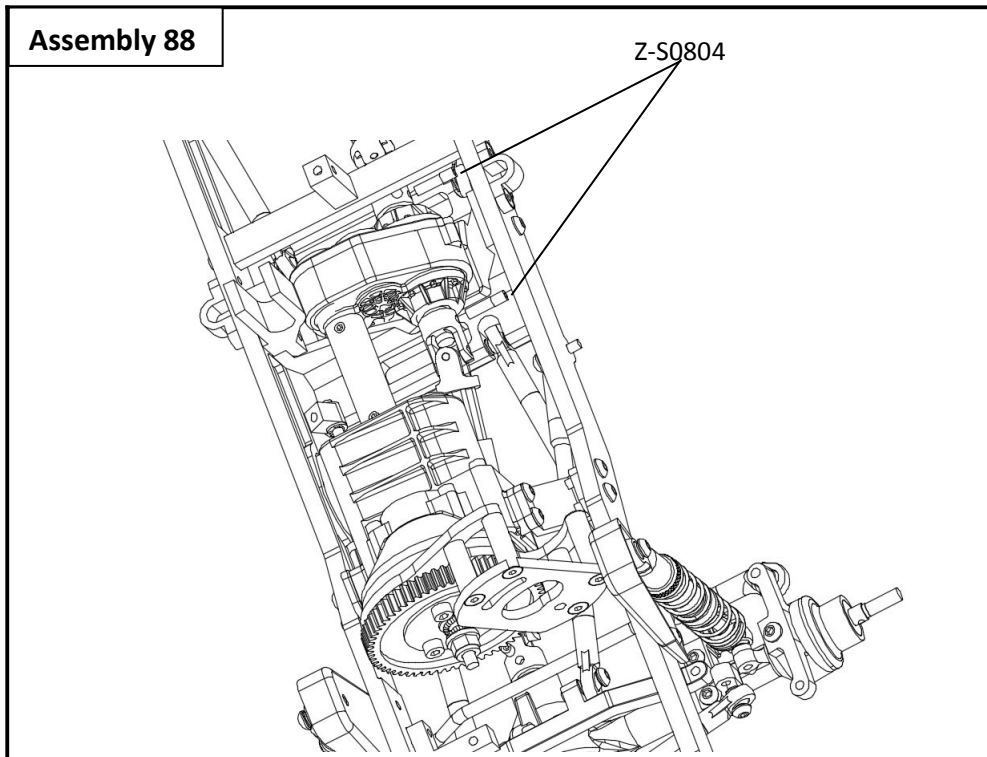



Z-S0654 
M3X12 button head





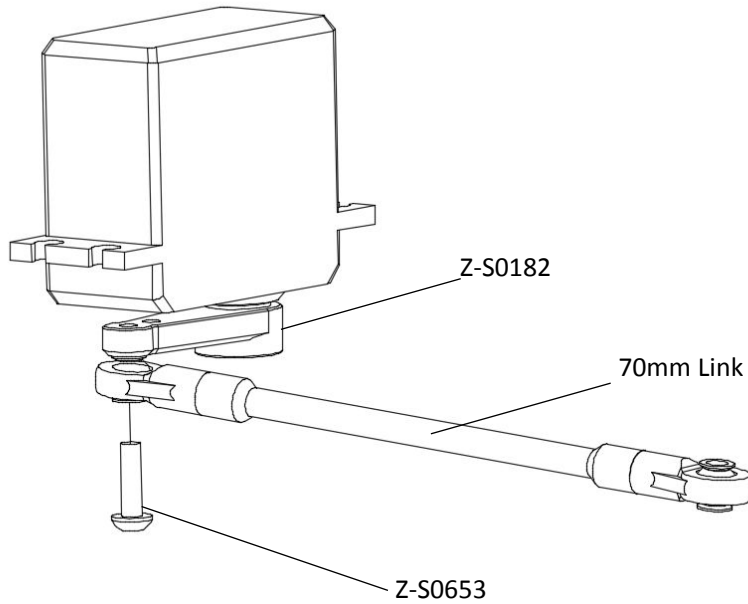
Z-S0125 
M3X5 grub screw



Z-S0804 
M3 Driveshaft Pin

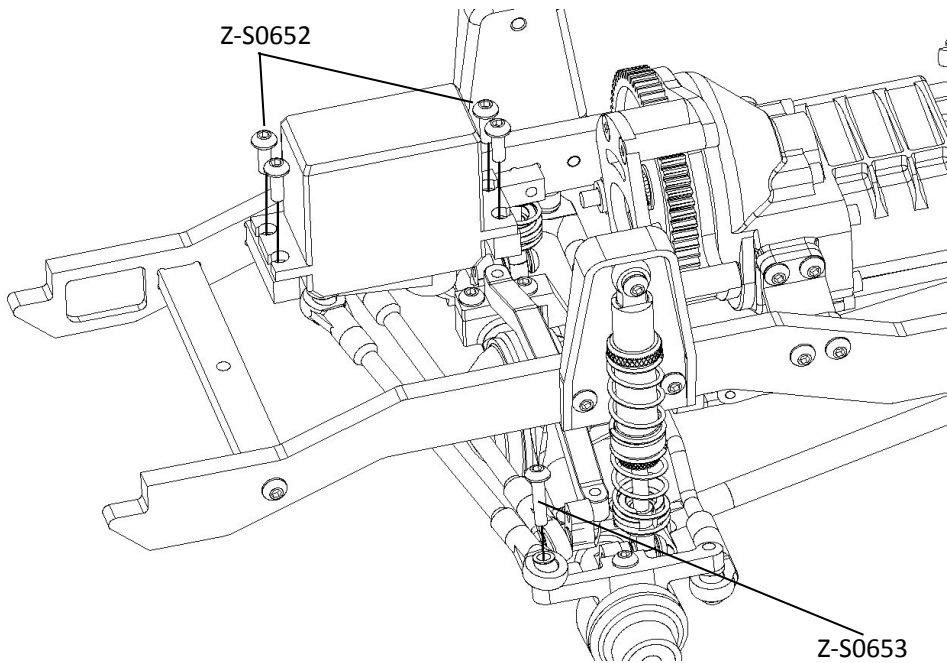
Assembly 89


Note: Servo and servo horn are not included in this kit.



Z-S0653 
M3X10 button head

Assembly 90



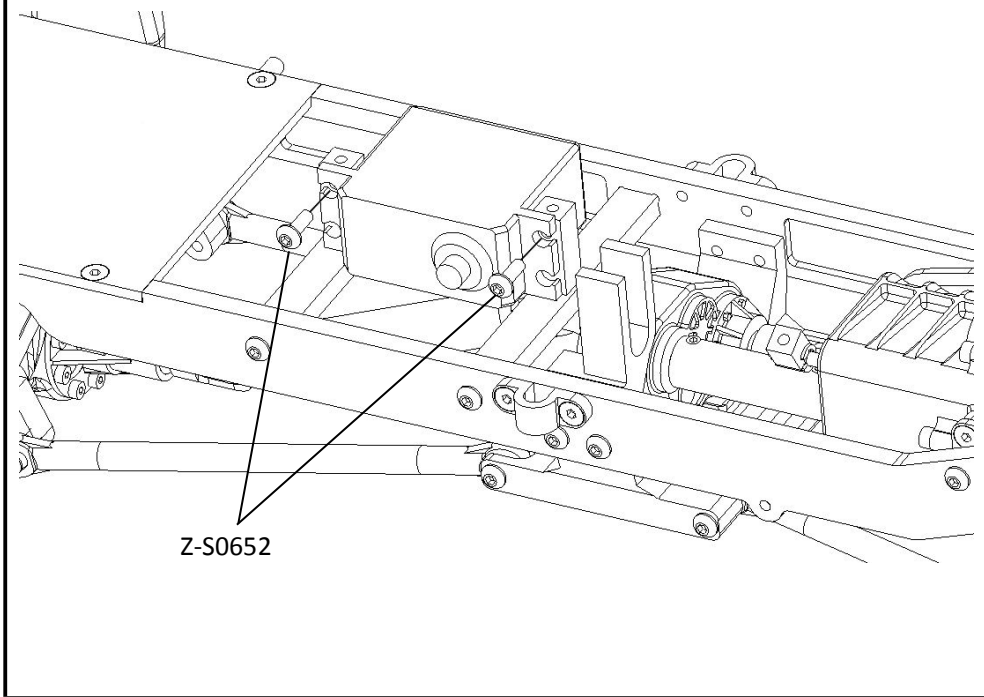
Z-S0652 
M3X8 button head

Z-S0653 
M3X10 button head



Assembly 91

Note: Servo is not included in this kit.

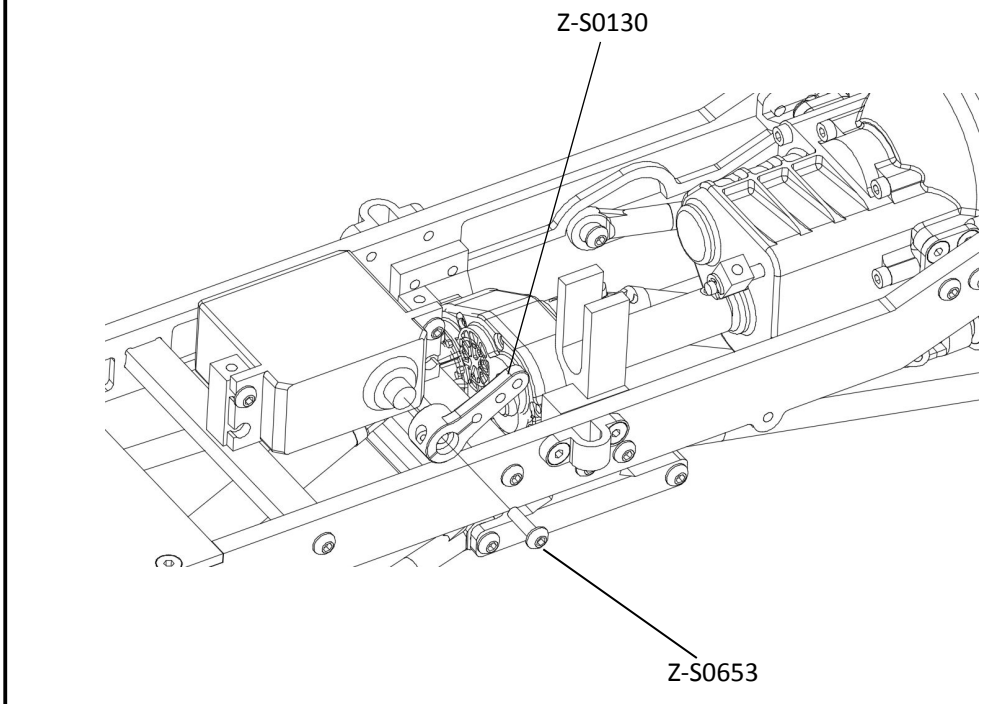


Z-S0652 
M3X8 button head



Assembly 92

Note: Servo horn is not included in this kit.

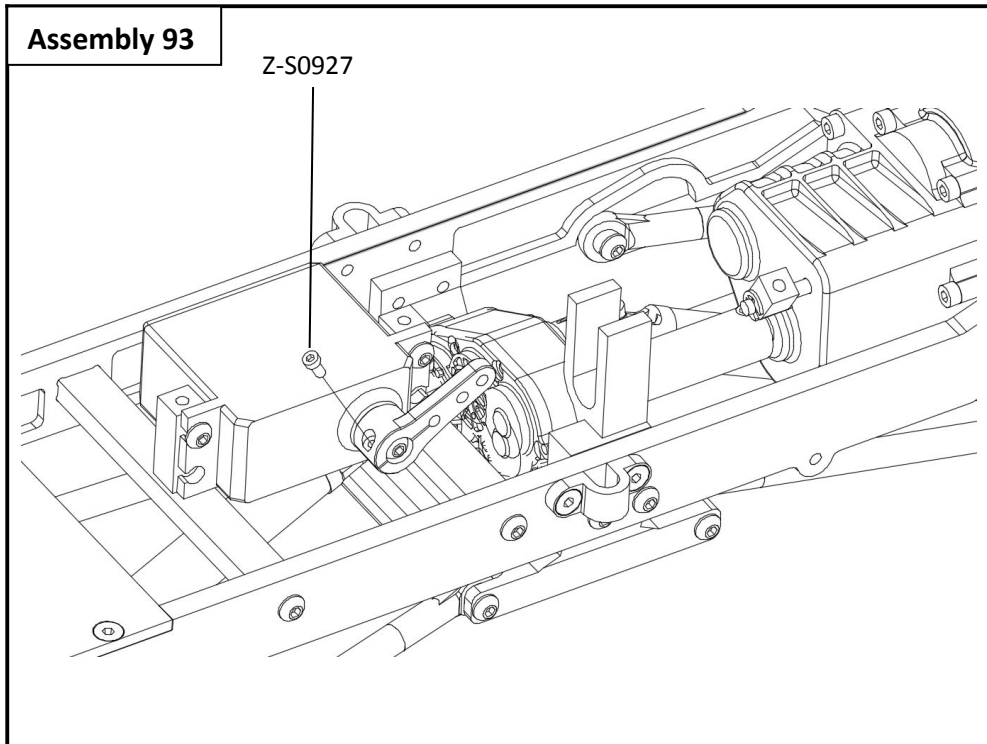



Z-S0653 
M3X10 button head



Assembly 93

Z-S0927



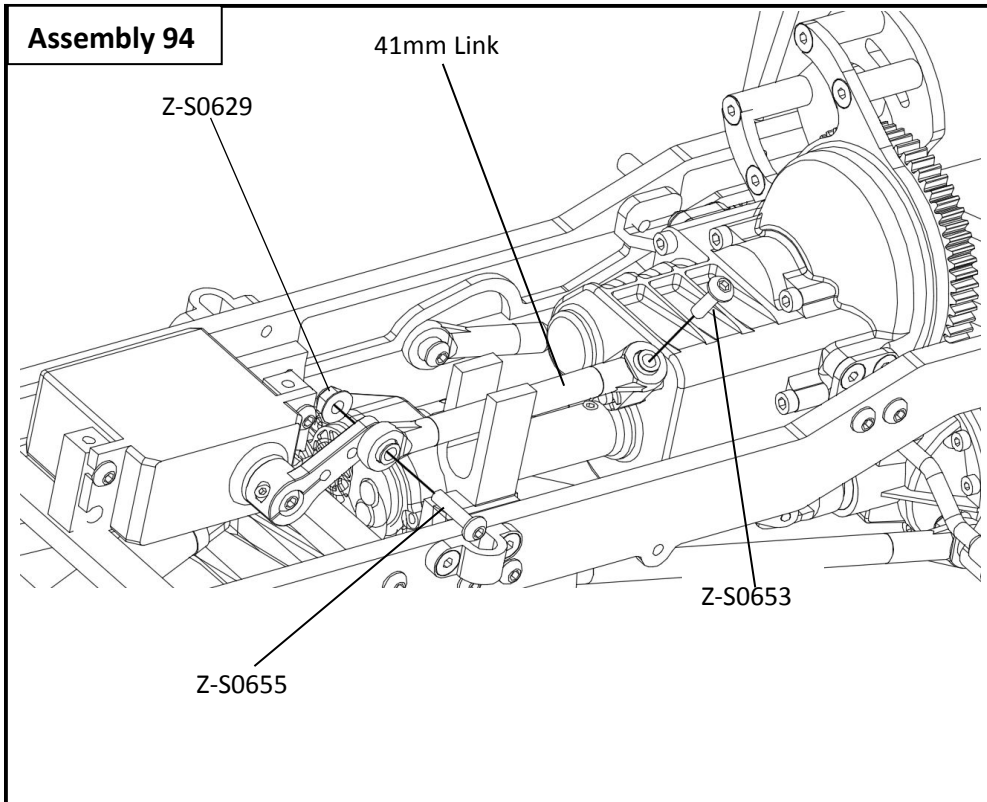
Z-S0927 
M2X4 cap head



Assembly 94

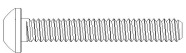
41mm Link

Z-S0629



Z-S0629 
M3 nut

Z-S0653 
M3X10 button head

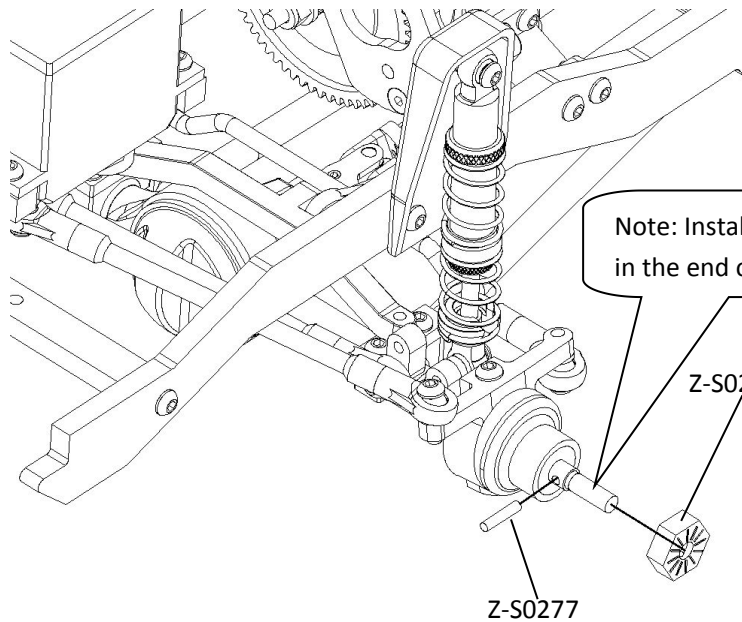
Z-S0655 
M3X14 button head

Z-S0653

Z-S0655



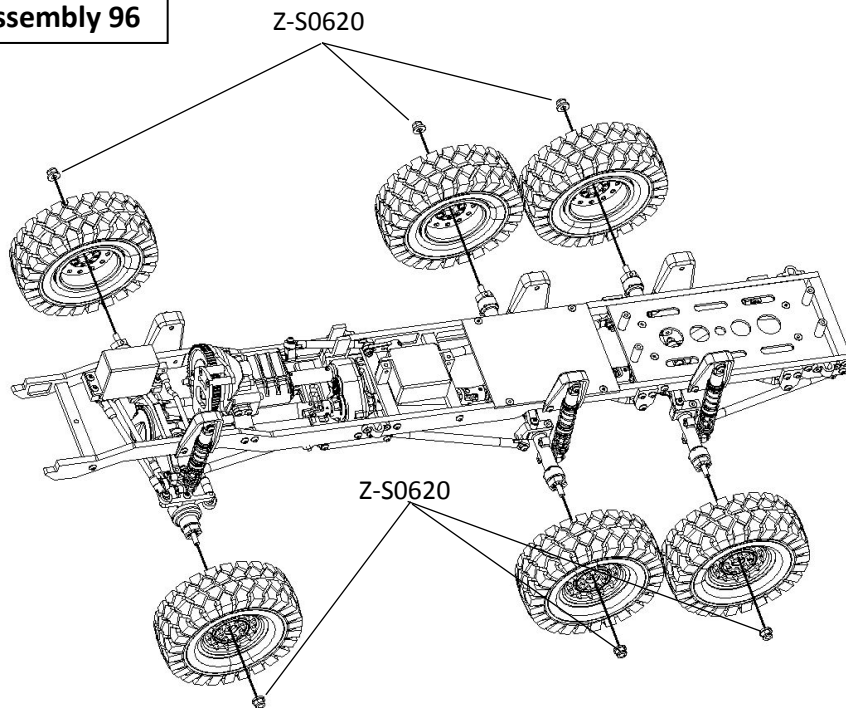
Assembly 95




Z-S0277 

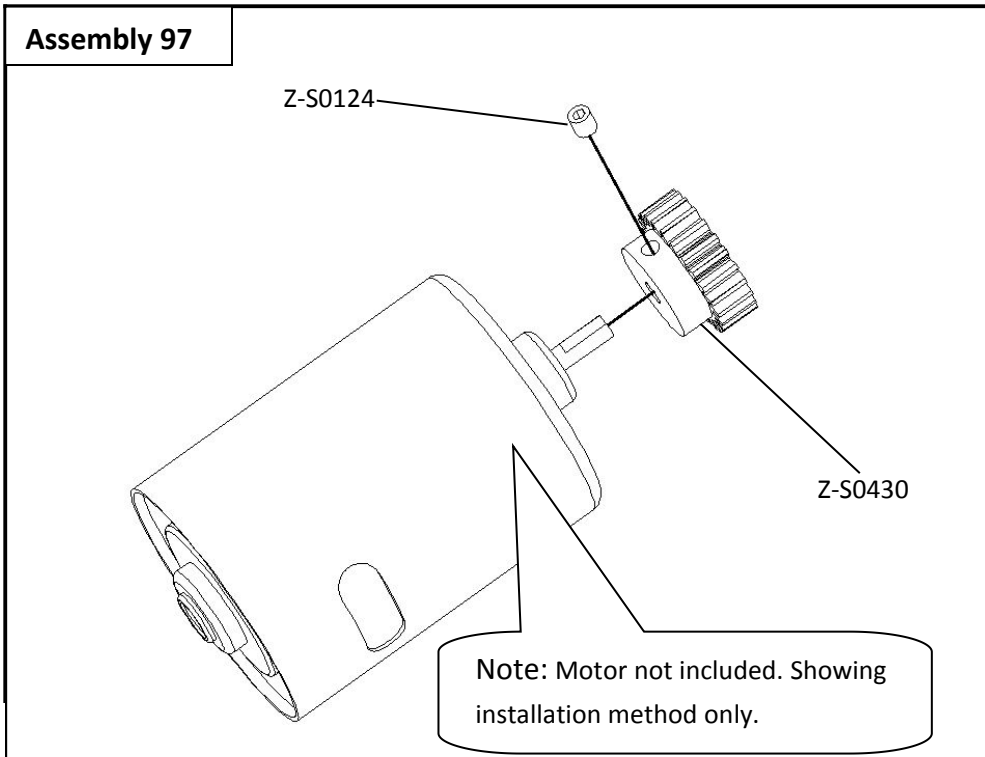
Z-S0238 

Assembly 96



Z-S0620 
M4 nut

Assembly 97



Z-S0430



Z-S0124

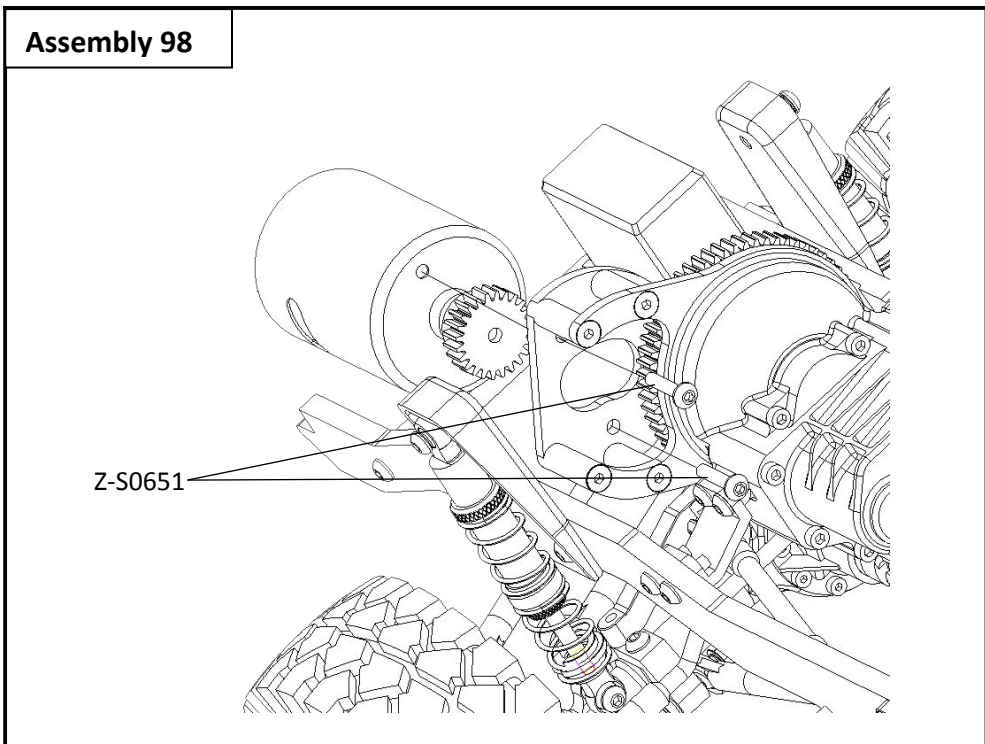


M3X3 grub screw

Note: Motor not included. Showing installation method only.



Assembly 98



Z-S0651

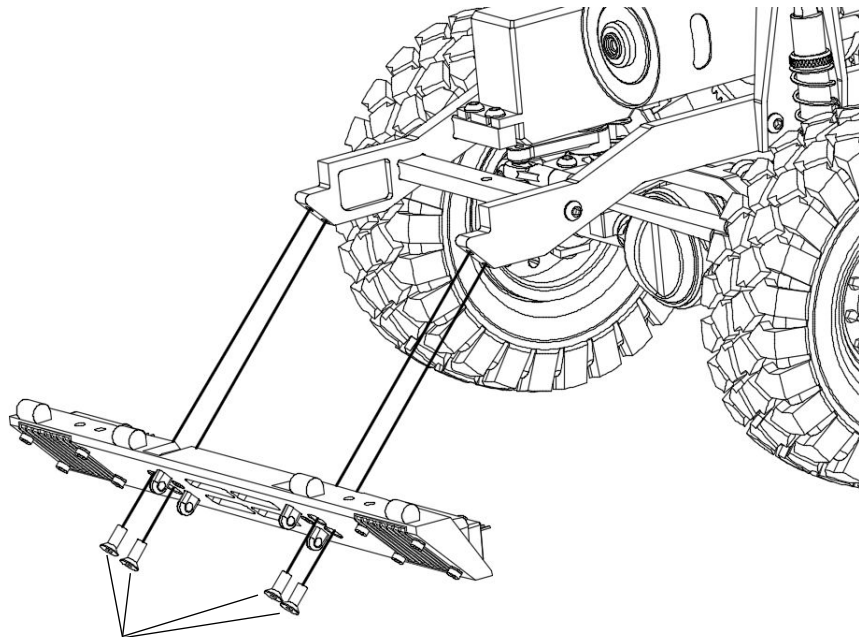
Z-S0651



M3X6 button head



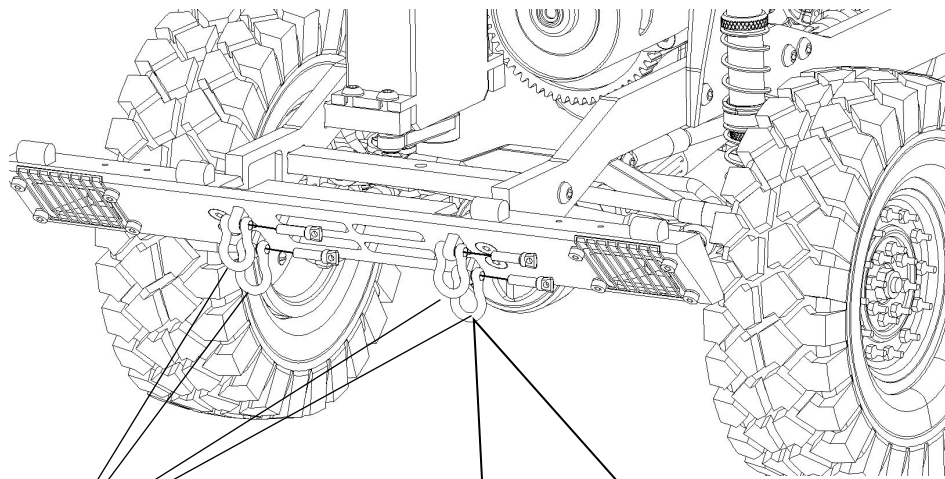
Assembly 99



Z-S0648 
M3X6 flat head



Assembly 100

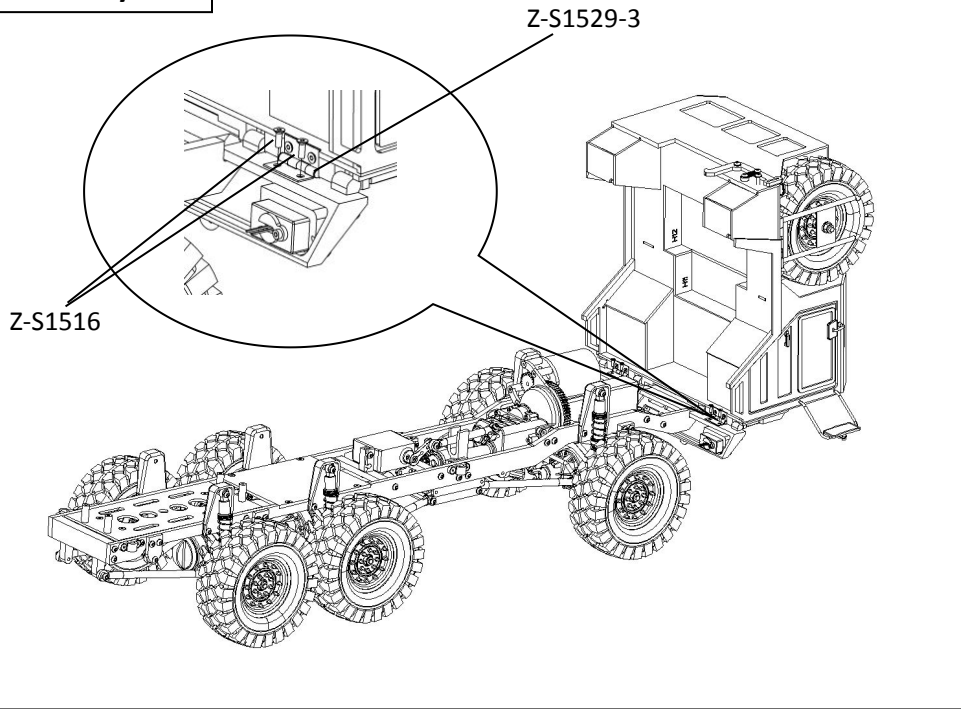


Z-S0075 

Note: Shackle not included. Shown for installation method only.



Assembly 101



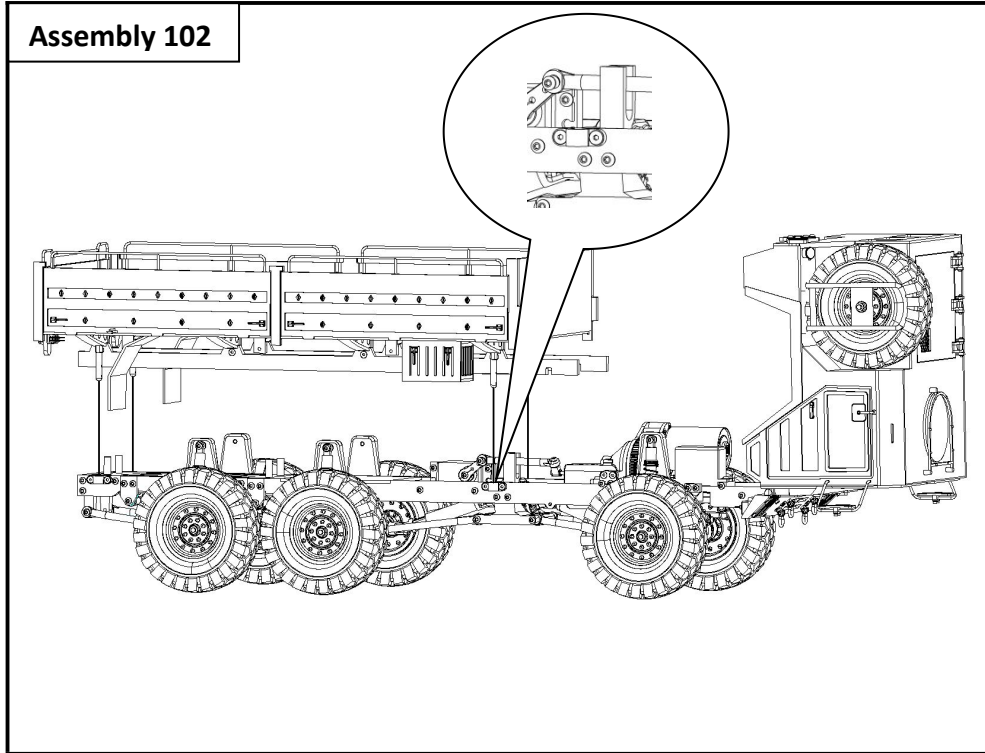
Z-S1516

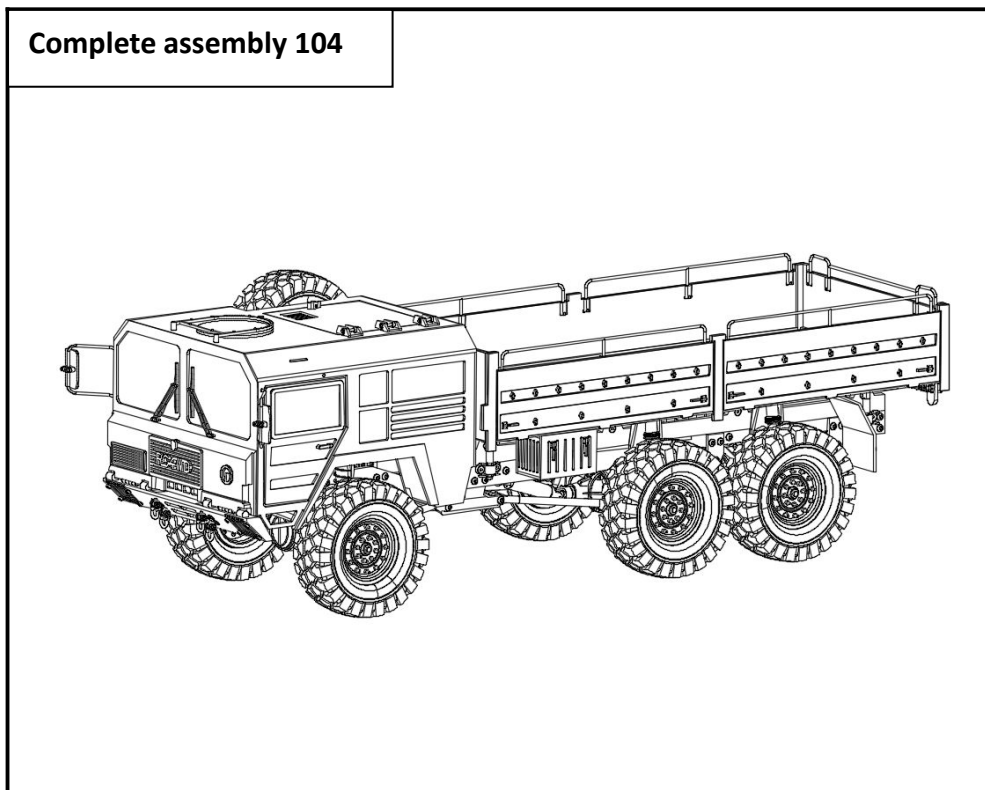
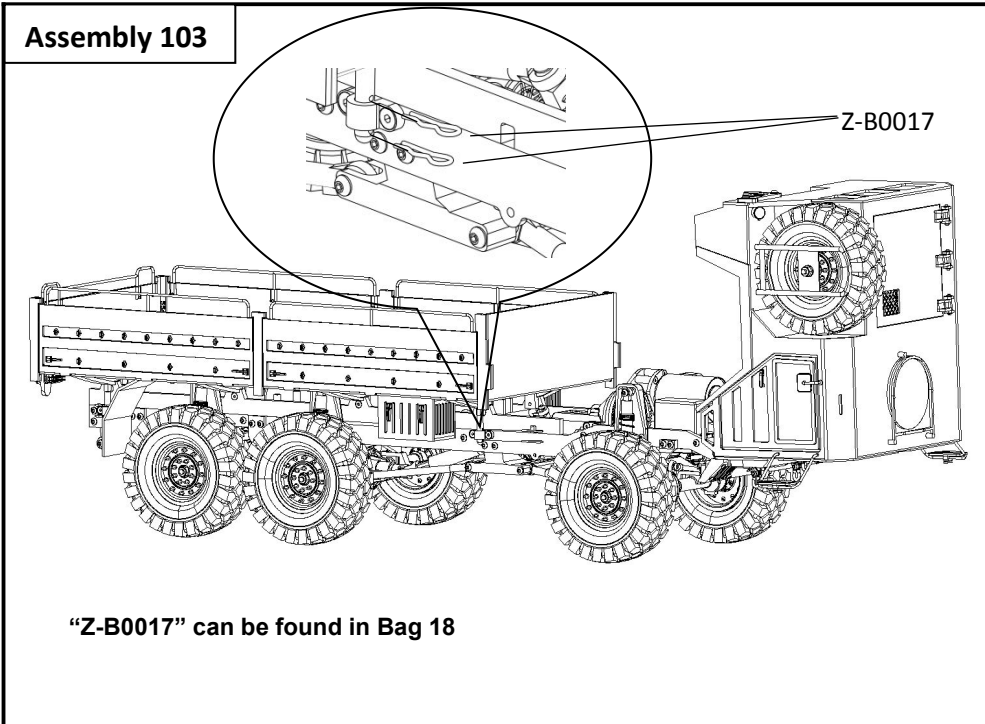


M2X4 flat head



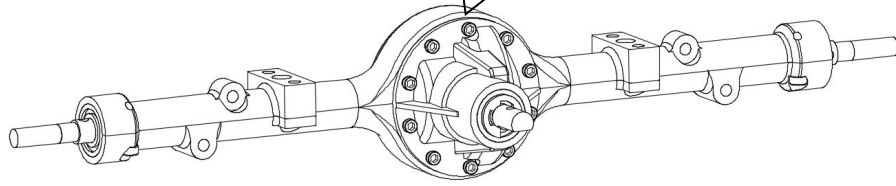
Assembly 102



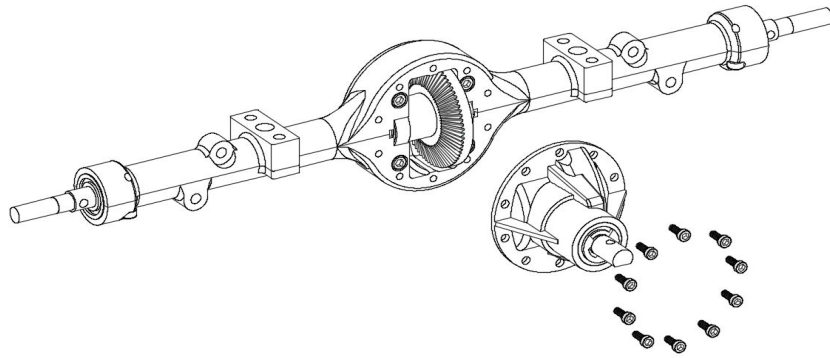


Before adjustment

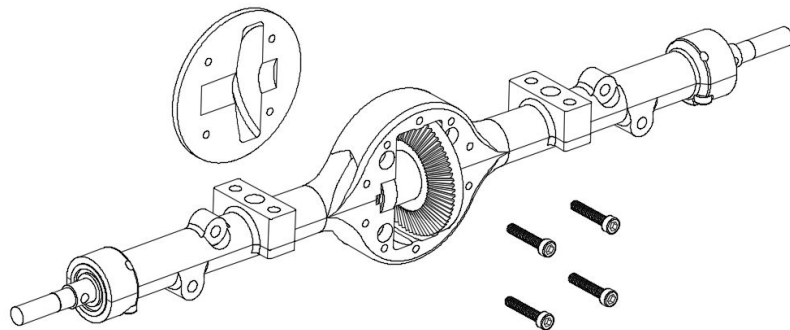
Please focus on third member direction.



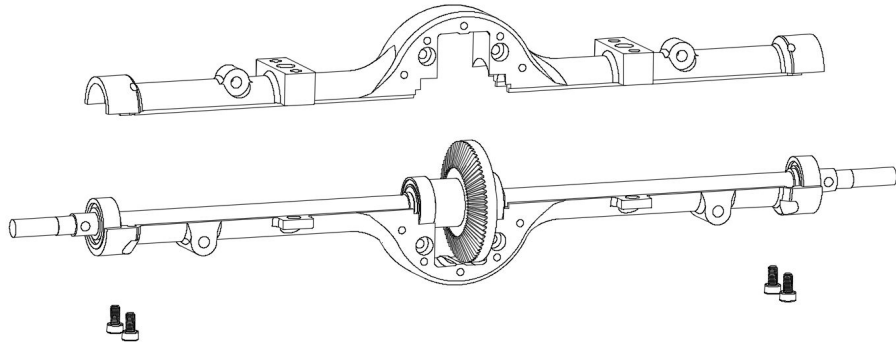
Disassembly 1



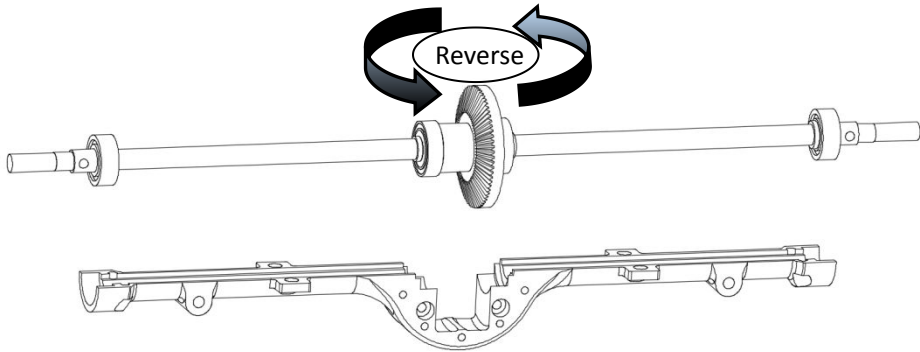
Disassembly 2



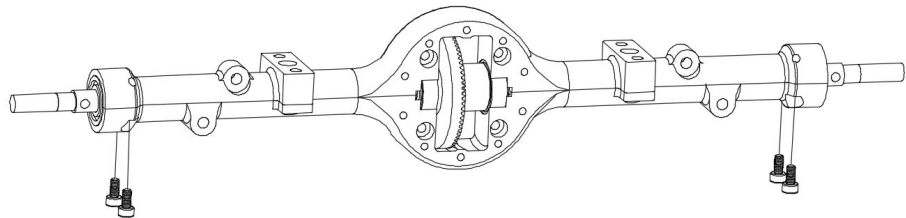
Disassembly 3



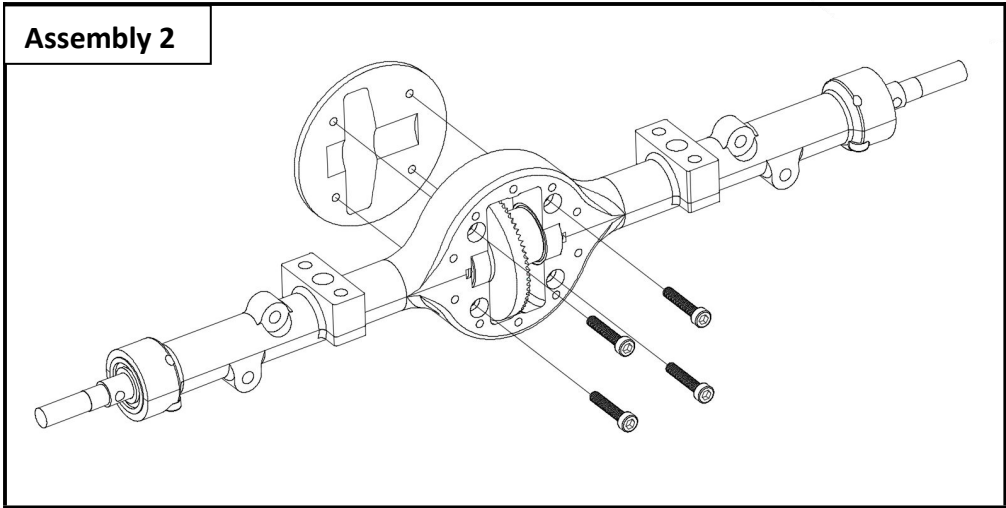
Adjust



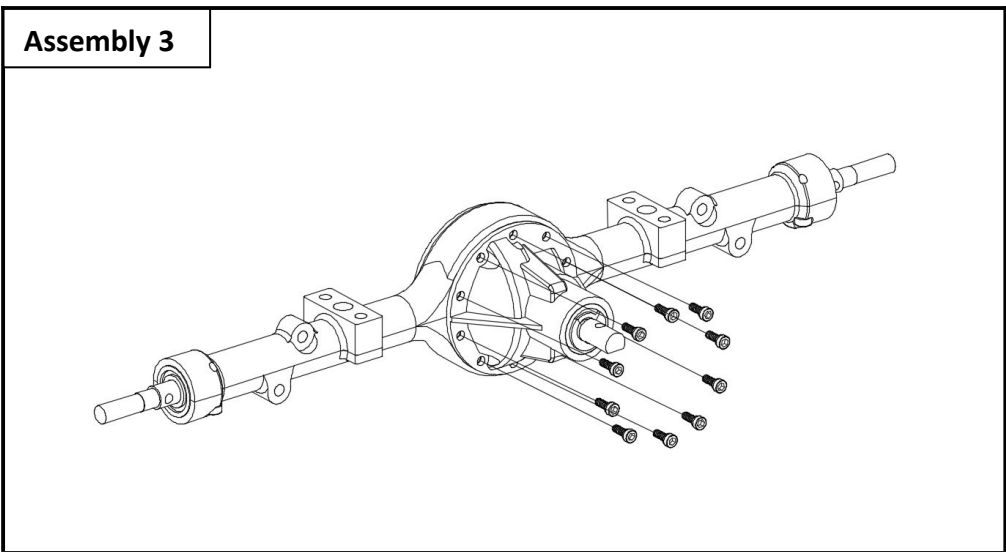
Assembly 1



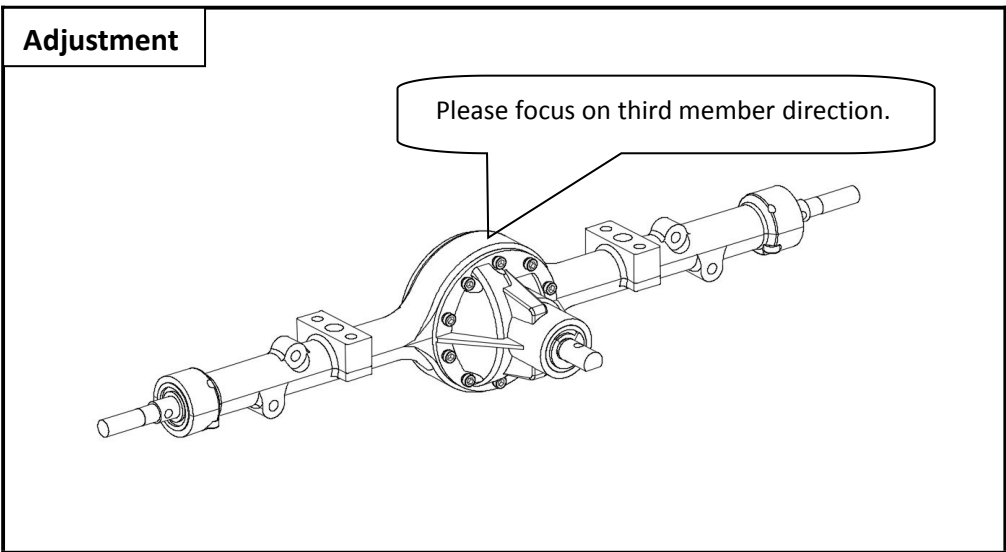
Assembly 2



Assembly 3



Adjustment



Spare Parts

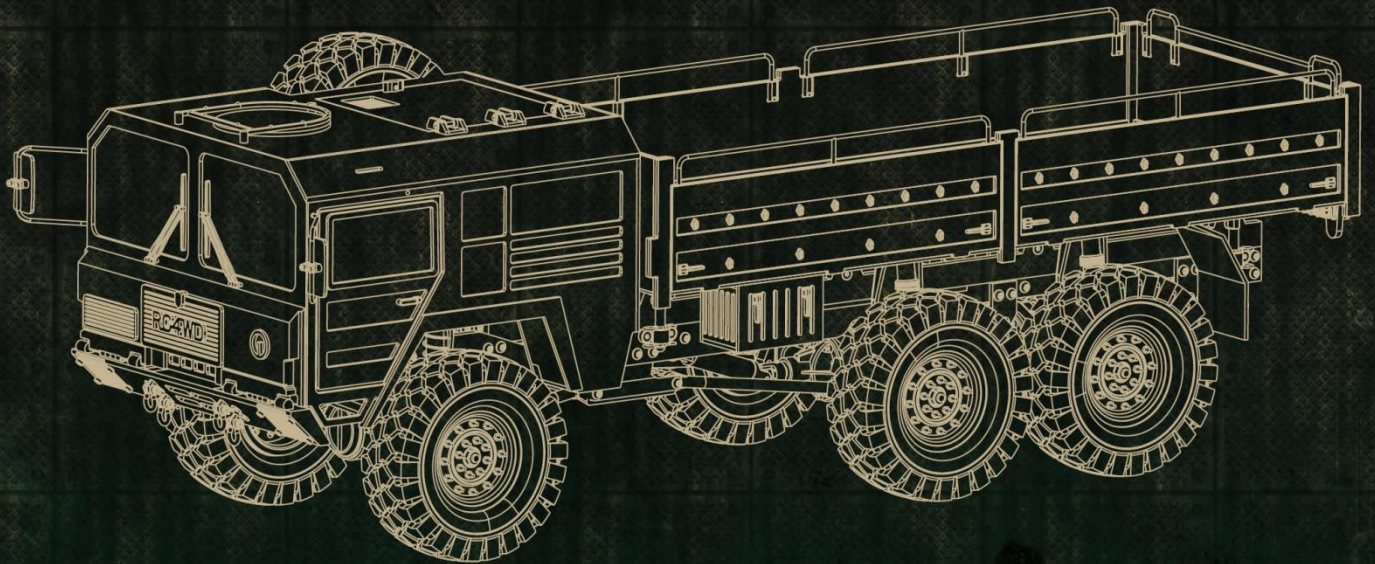
Z-D0039	Dual Spring 80mm Scale Black Shocks (Ver 2)
Z-U0034	R3 Scale 2 Speed Cast Transmission
Z-U0029	Triton Transfer Case (1/1)
Z-S0583	Scale Nylon Short Punisher Shaft (89mm-120mm)
Z-A0080	Yota II Ultimate Scale Cast Axle (Front)
Z-A0010	Yota II Ultimate Scale Cast Axle (Center Rear)
Z-A0081	Yota II Ultimate Scale Cast Axle (Rear)
Z-S0599	Metal Drive Coupling
Z-S0794	Front 3 Link & Panhard Mount (Black)
Z-S0795	Gelande 2 Rear 4 Link Mount
Z-S0810	Drag Link for Gelande2
Z-S0819	70mm (2.75") Aluminum Link for Gelande 2
Z-S0807	59mm (2.32") Aluminum Link for Gelande 2
Z-S0884	50mm (1.97") Internally Threaded Aluminum Link
Z-S1084	52mm (2.04") Internally Threaded Aluminum Link
Z-S0398	M3 Mini Plastic Rod End
Z-S0401	M3 Offset Short Plastic Rod End
Z-S0402	M3 Short Bent Plastic Rod End
Z-S0399	M3 Medium Straight Plastic Rod End
Z-T0075	MIL-SPEC ZXL 1.9 Tires
Z-W0119	Humvee 1.9 Internal Beadlock Wheel

Recommended Equipment

Z-E0004	540 CRAWLER BRUSHED MOTOR 45T
Z-E0007	Outcry Crawler Speed Controller ESC with TurboBEC
Z-E0035	Twister High Torque Metal Gear Digital Servo
Z-S0130	Heavy Duty Metal Servo Arm for Futaba Type Servo(Blue)
Z-R0006	RC4WD XR4 4-Channel 2.4Ghz Transmitter & Receiver Radio
Z-E0006	Mayhem Extreme Power Metal Gear Servo

Optional Parts

Z-U0024	Hammer Transfer Case
Z-S0826	Scale Steel Punisher Shaft V3 (3.56"-4.35"/90.5mm-110.5mm) 5mm Hole
VVV-S0119	Ultra Scale Hardened Steel Driveshafts Ver 2 (2.55"/3.34"-65mm/85mm)
Z-S0075	King Kong Mini Tow Shackle
Z-T0082	FlashPoint 1.9" Military Off-Road Tires
Z-Q0018	1x Single Humvee 1.9" Scale Beadlock Wheel
Z-T0075	MIL-SPEC ZXL 1.9 Tires



RC4WD 618 Blossom Hill Road
Ste: 201. San Jose, CA 95123 USA
Web: rc4wd.com Email: support@rc4wd.com

