



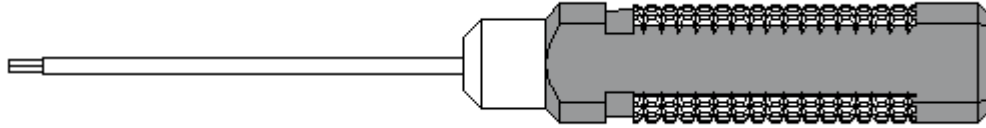
# Long Wheelbase D110

1/10 SCALE 4x4 TRUCK KIT

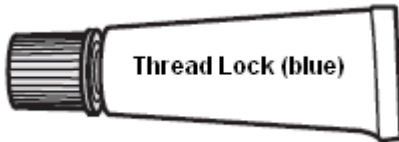




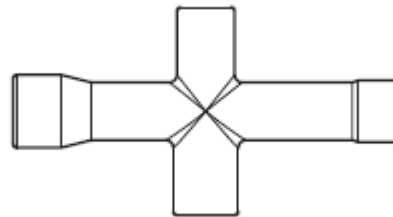
## ***Recommended Tools***



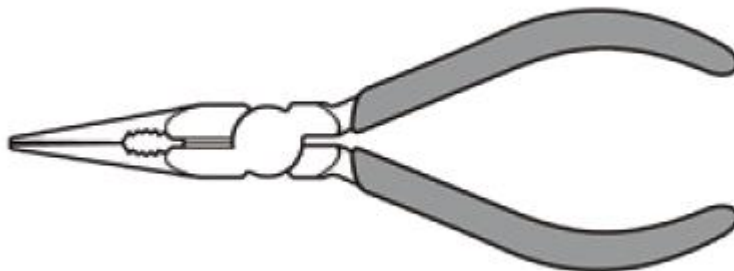
Hex Drivers (1.5mm, 2mm, 2.5mm)



Thread Lock



Cross Wrench



Long Nose Pliers

## ***Tips for Assembly***

Use good quality hex drivers to avoid stripping screw heads.

Use thread lock when putting metal screws into metal parts.

**Note:** Steps marked with an asterisk (\*) require thread lock.

Use thread lock sparingly.

Do not over tighten screws otherwise you may strip the thread.





## **RC4WD Limited Warranty**

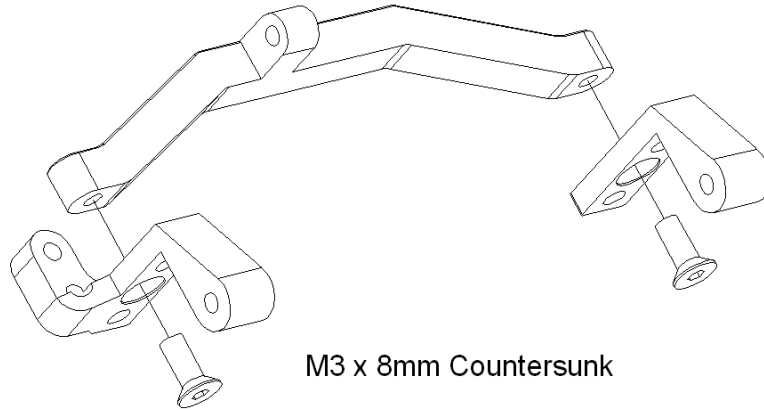
All RC4WD products are warranted to be free of defects in materials and workmanship when new. Our limited warranty does not cover damages due to normal wear and tear, user error of assembly or installation, user modifications, user's failure to perform routine maintenance, addition of aftermarket parts or option parts. This warranty lasts as long as the original purchaser owns the product. In the event of a defect under this warranty, RC4WD will, at our discretion, replace the product, provided our inspection indicates that an original defect exists. RC4WD reserves the right to replace any product which is no longer available with a product of comparable value and function. If RC4WD determines the repair is not covered under warranty guidelines, we will contact you to discuss your options. If you have any questions, please contact us via email at [support@rc4wd.com](mailto:support@rc4wd.com).



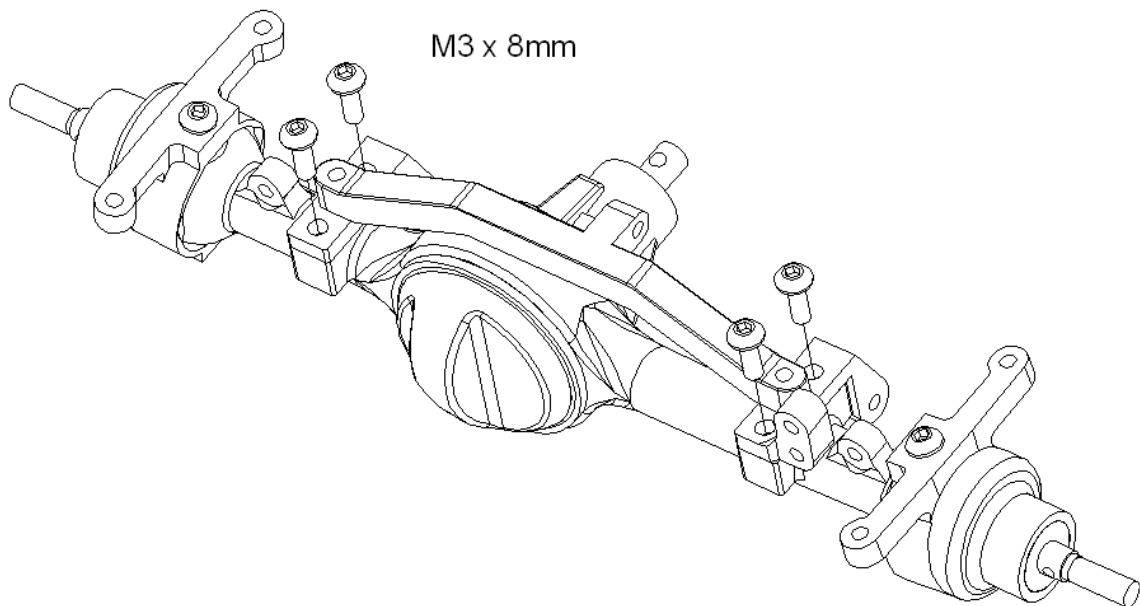


All of the hardware should be taken from Bag E  
Parts can be found in Metal Parts Bag F

1 \*



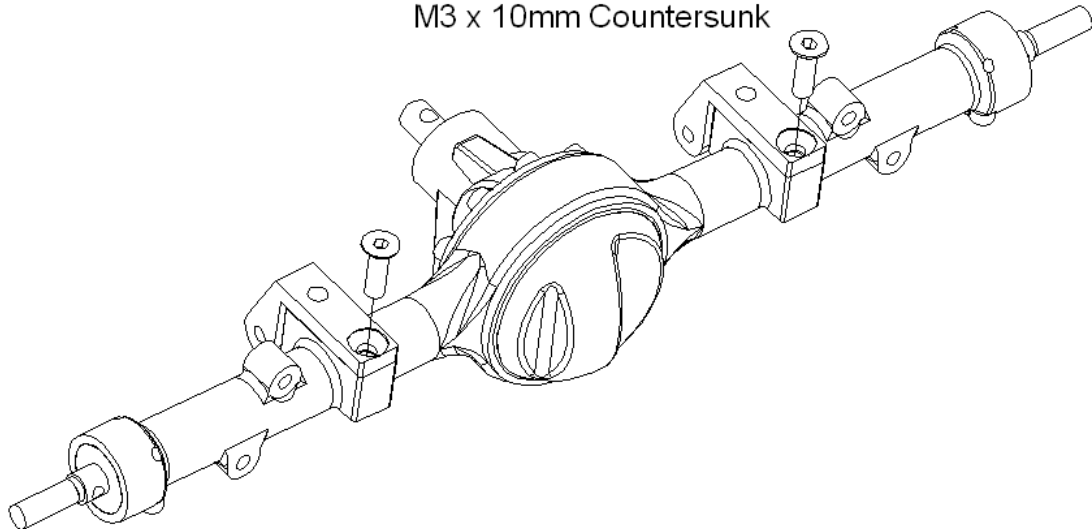
2 \*





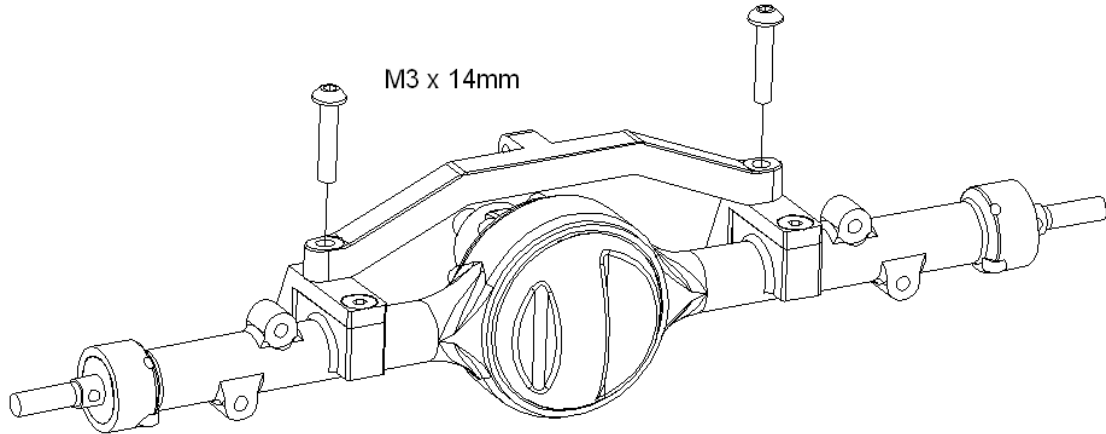
3 \*

M3 x 10mm Countersunk



4 \*

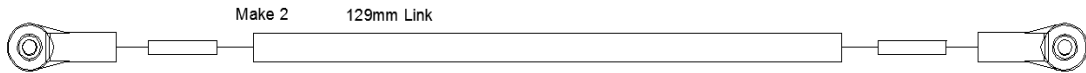
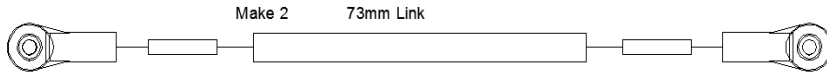
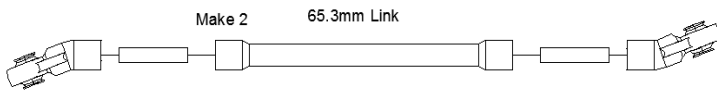
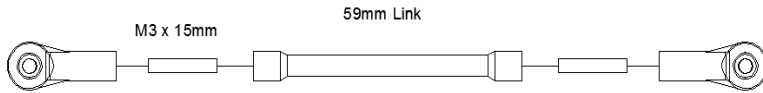
M3 x 14mm



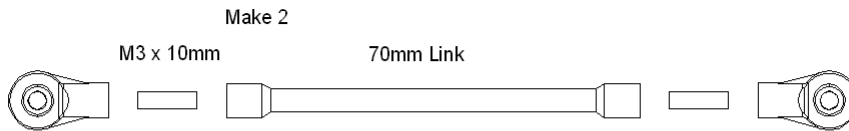
**Plastic parts can be found in parts Bag G**

5

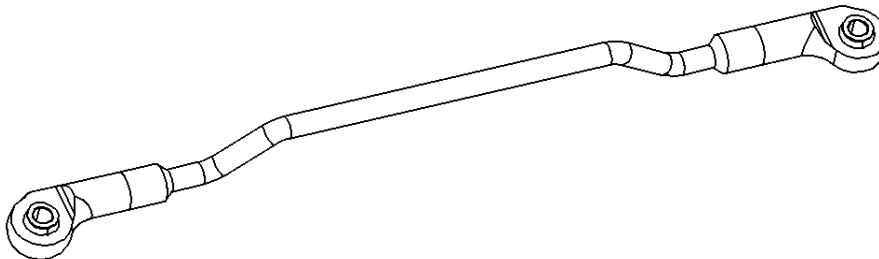
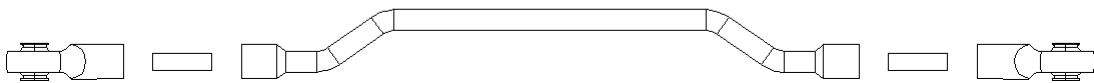




**6**

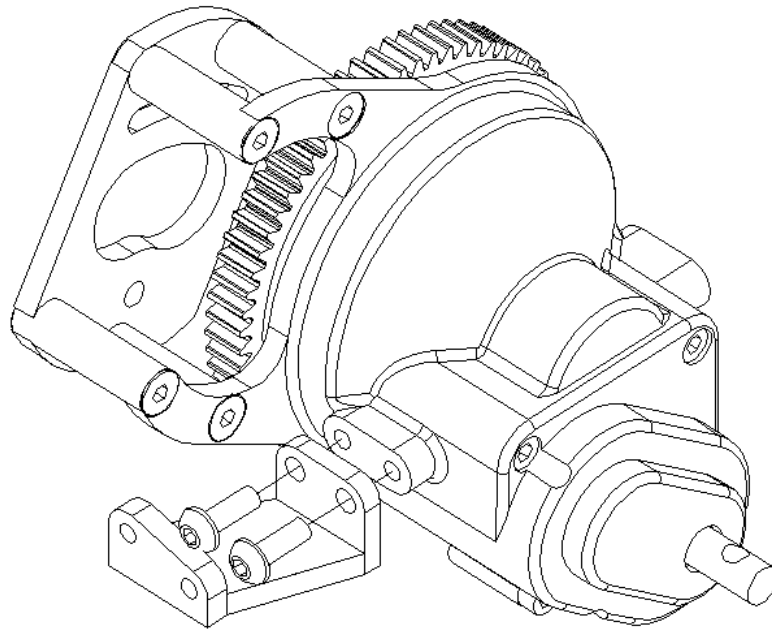


Offset Rod End



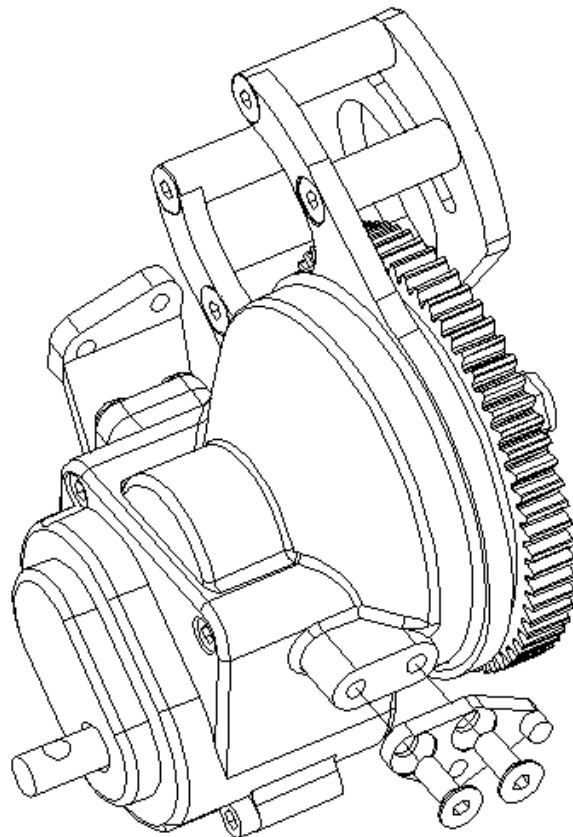
**7 \***





M3 x 8mm

8 \*

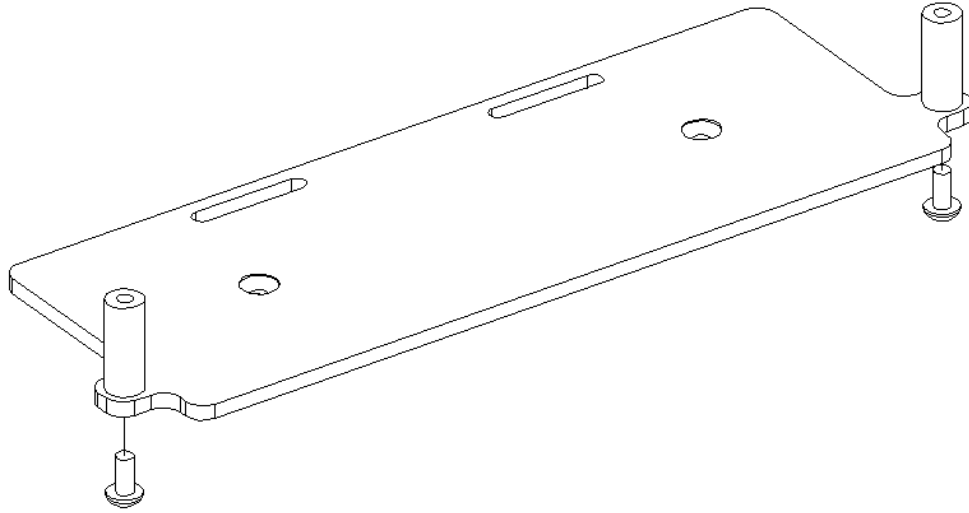


M3 x 8mm Countersunk





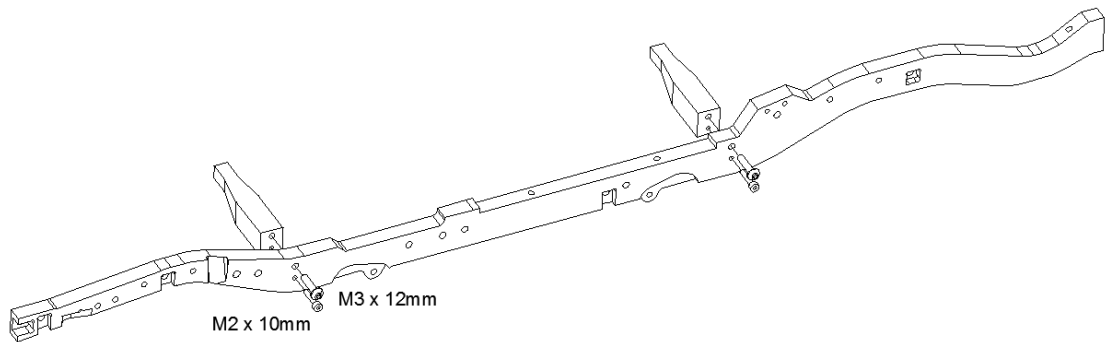
9 \*



M3 x 8mm

10 \*

**This step should be done on both frame rails**

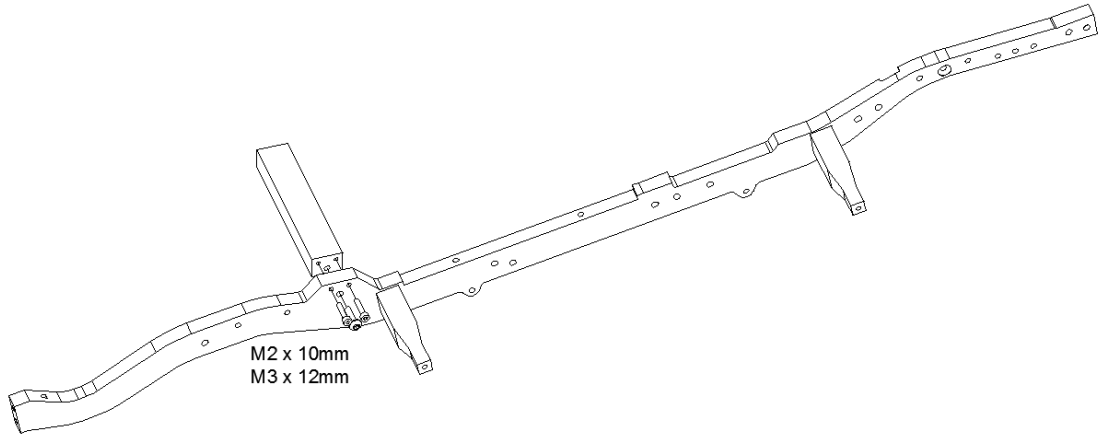


M2 x 10mm M3 x 12mm M3 x 12mm

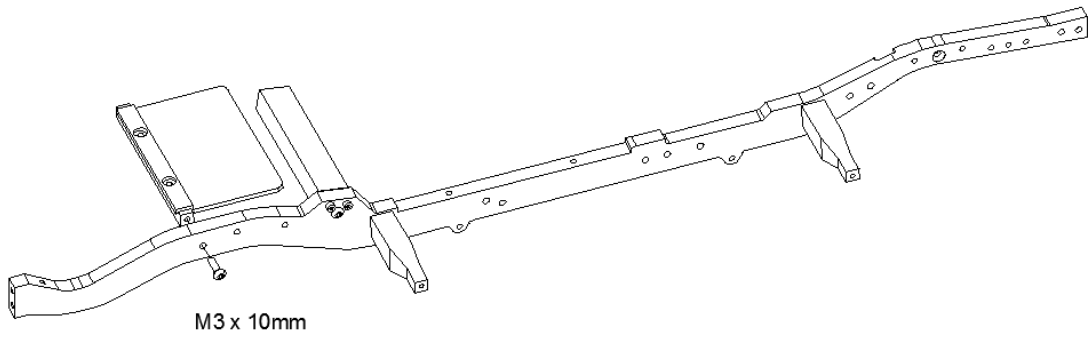
11 \*



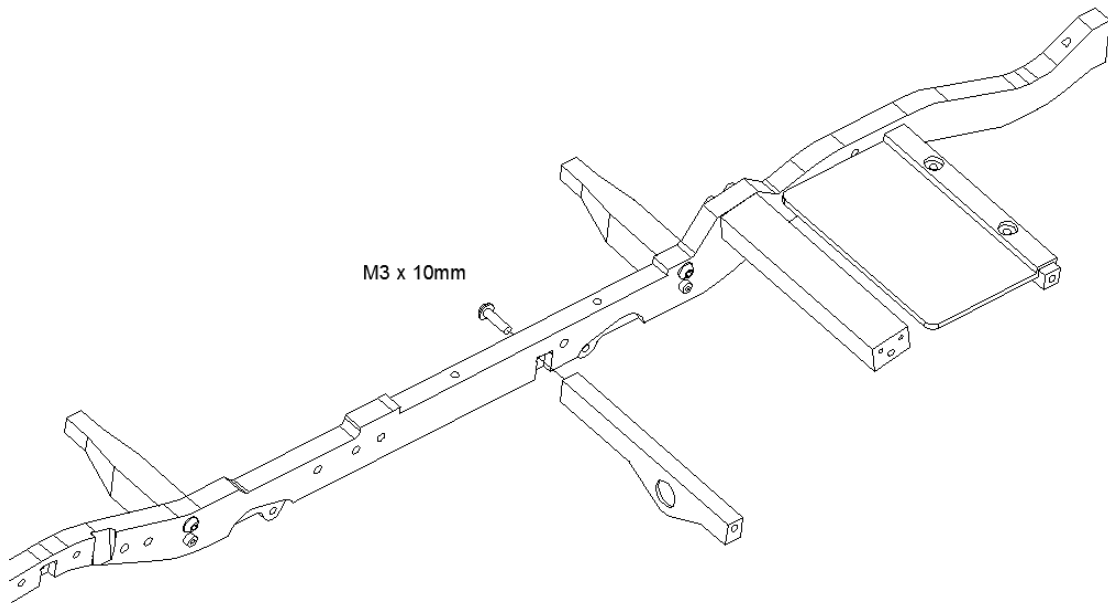


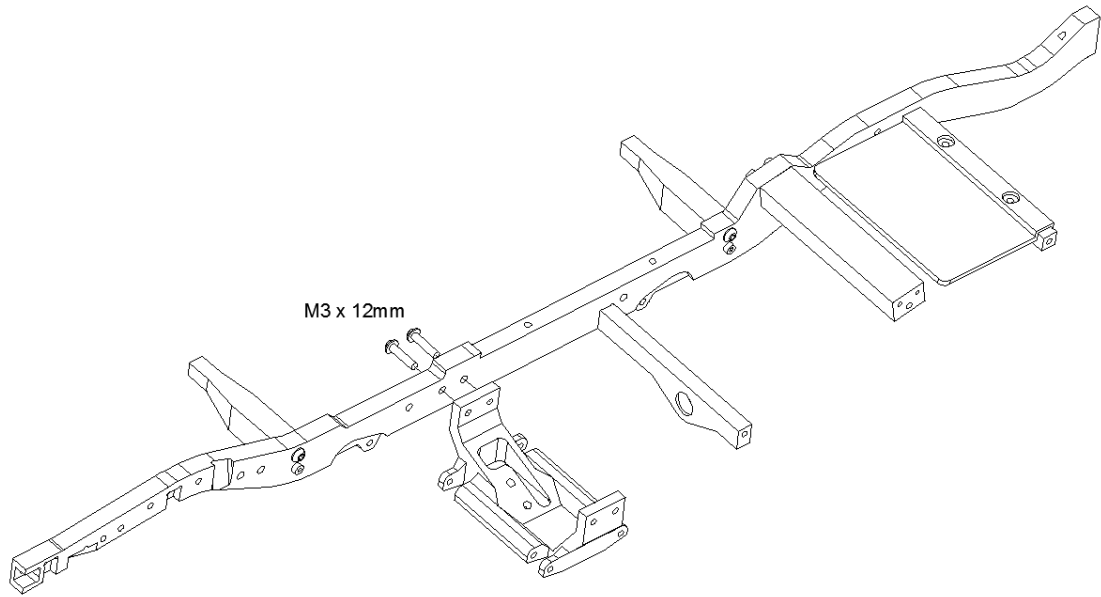


12 \*



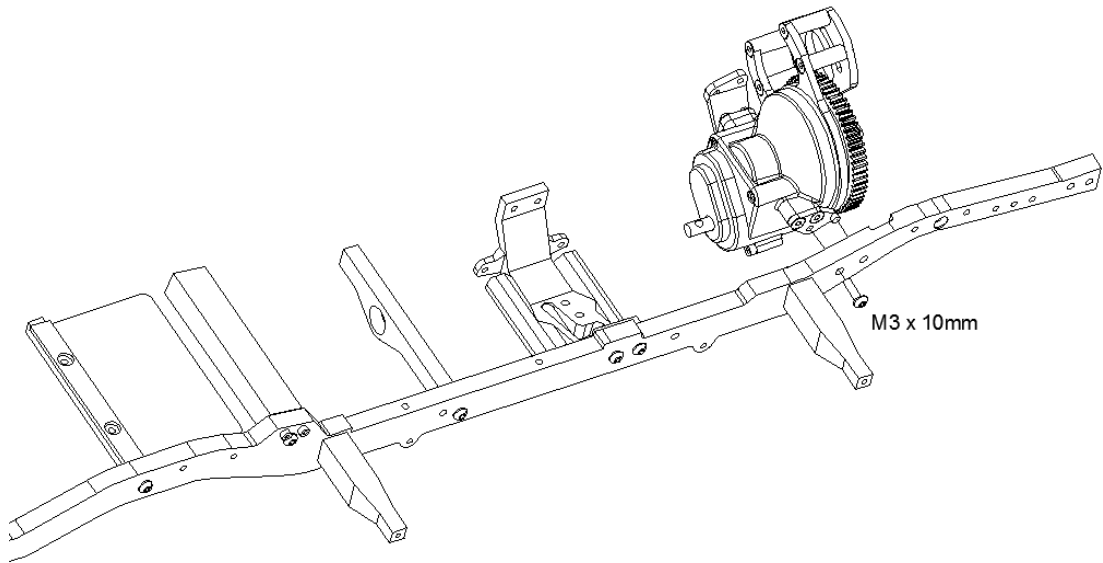
13 \*



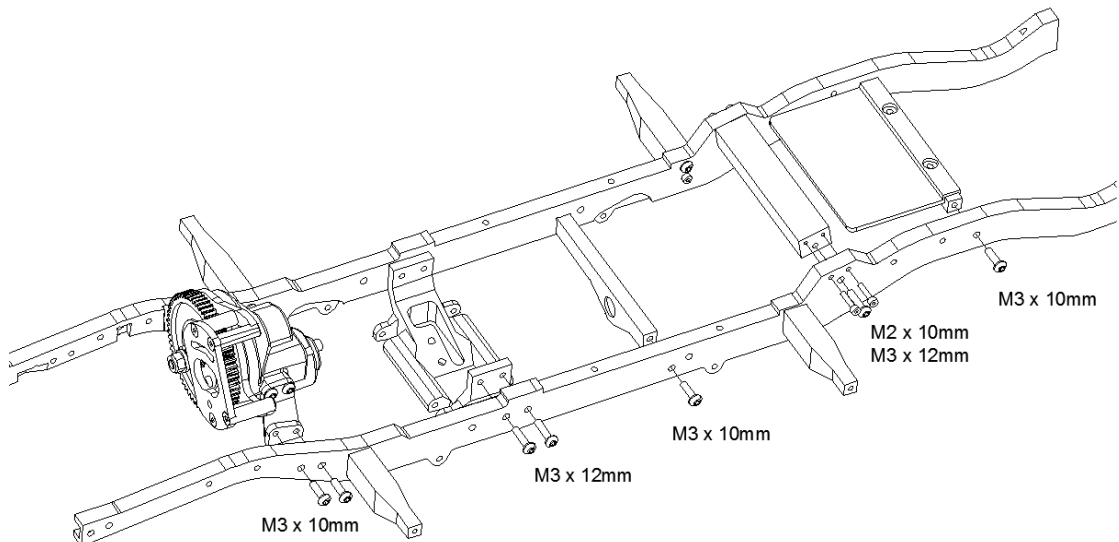


14 \*



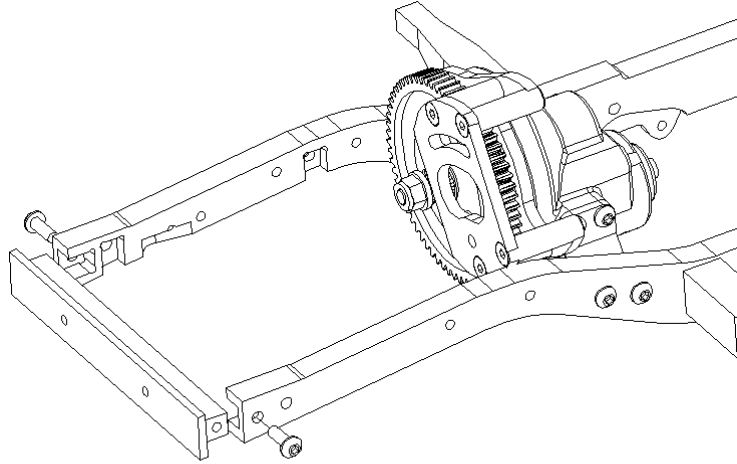


15 \*  
16 \*



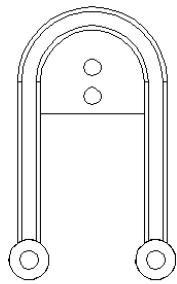
17 \*



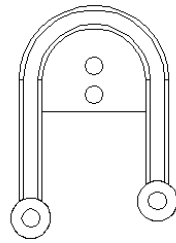


M3 x 8mm

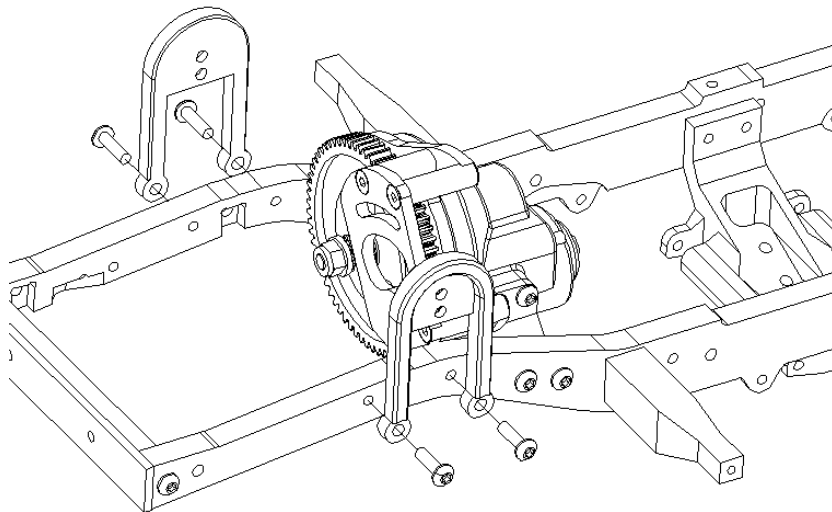
18 \*



Front



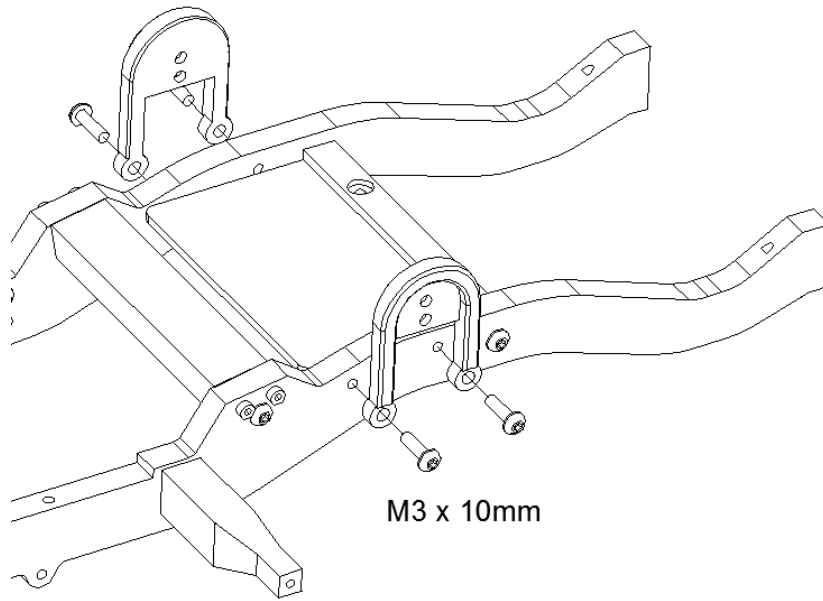
Rear



M3 x 10mm

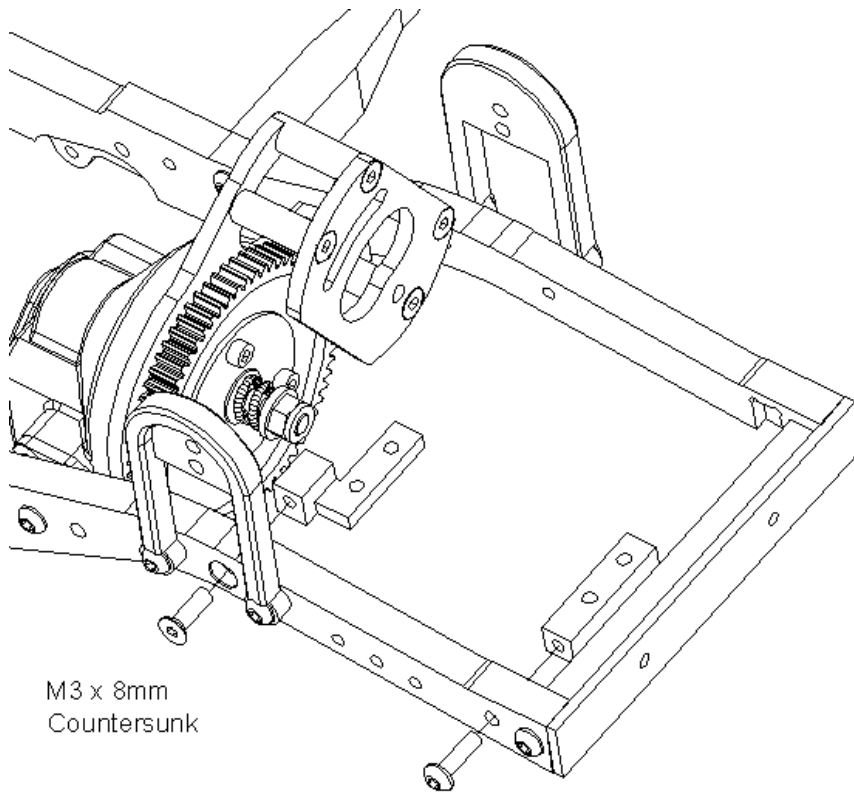
19 \*





M3 x 10mm

20 \*

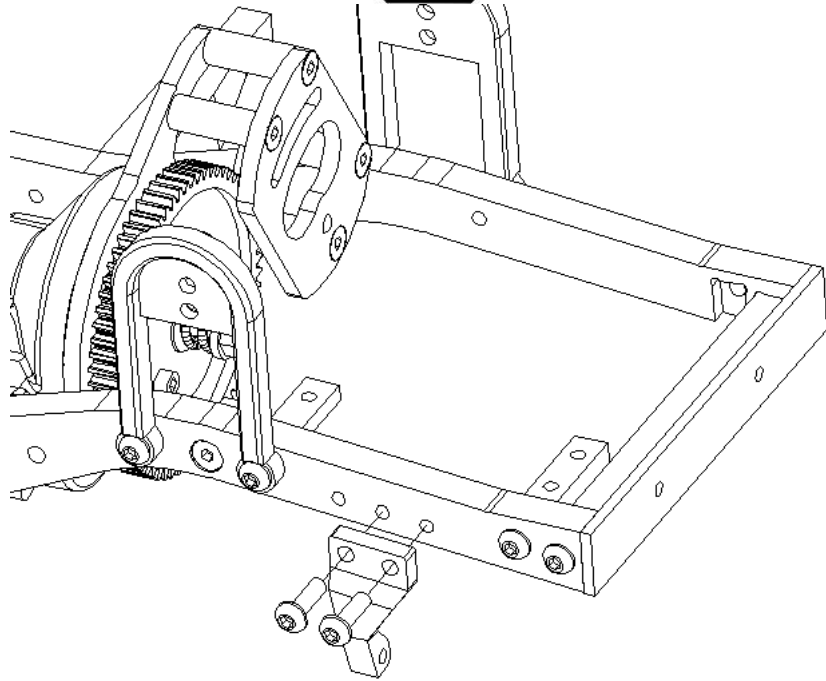


M3 x 8mm  
Countersunk

M3 x 8mm

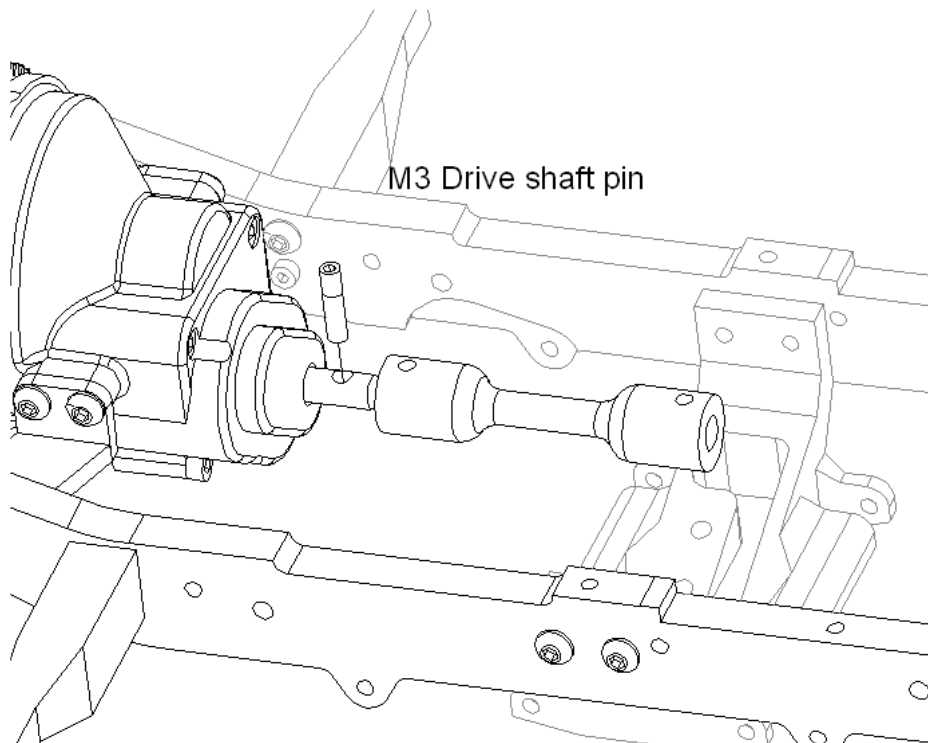
21 \*





M3 x 10mm

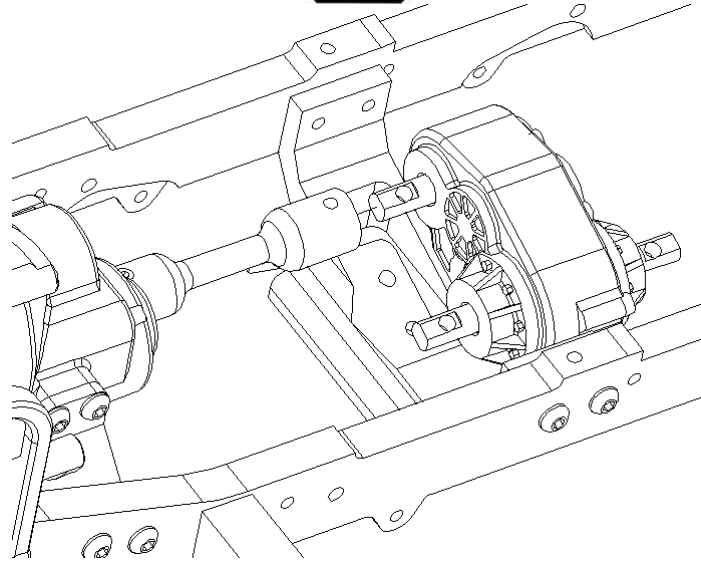
22 \*



M3 Drive shaft pin

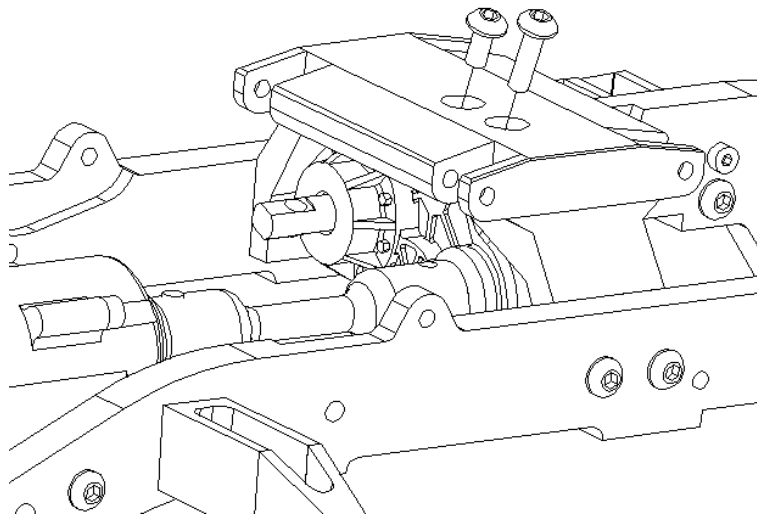
23 \*





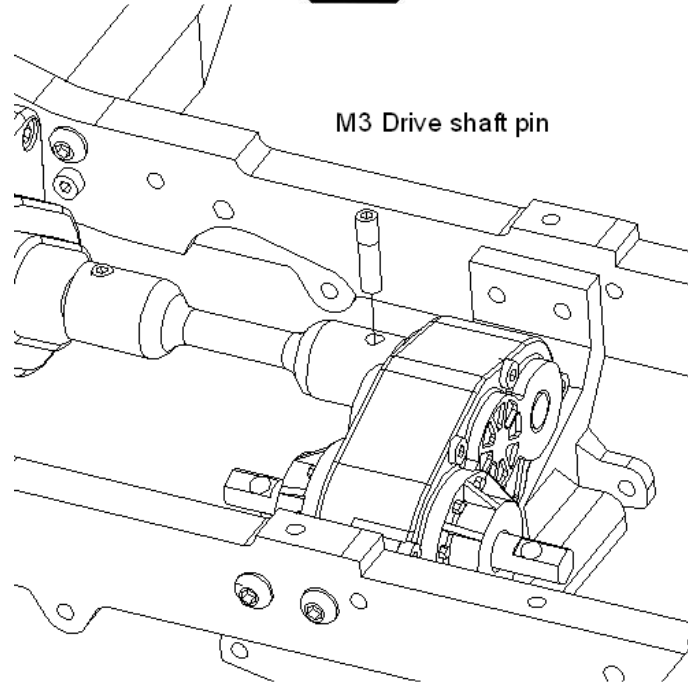
M3 x 6mm

M3 x 10mm



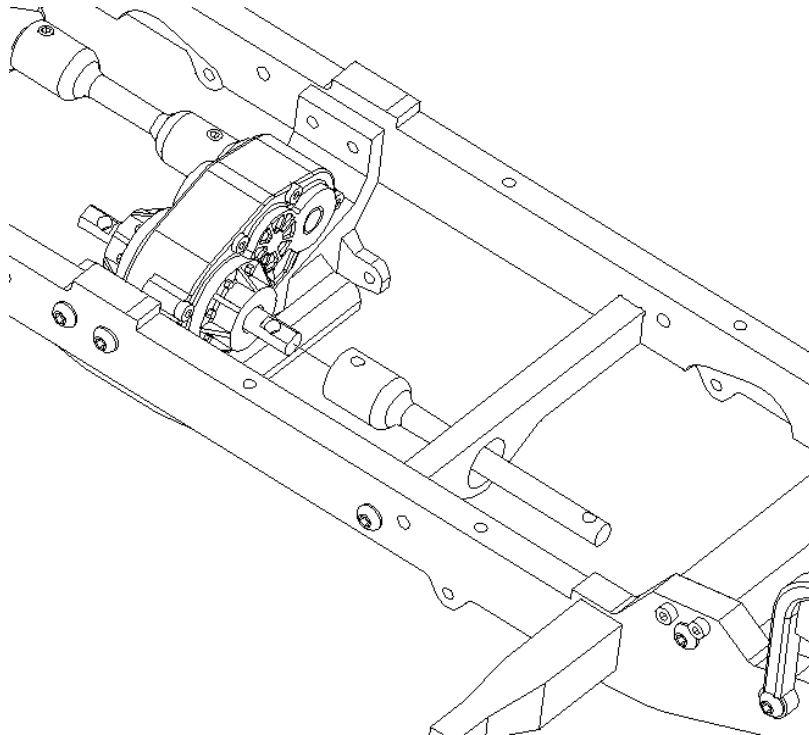
24\*



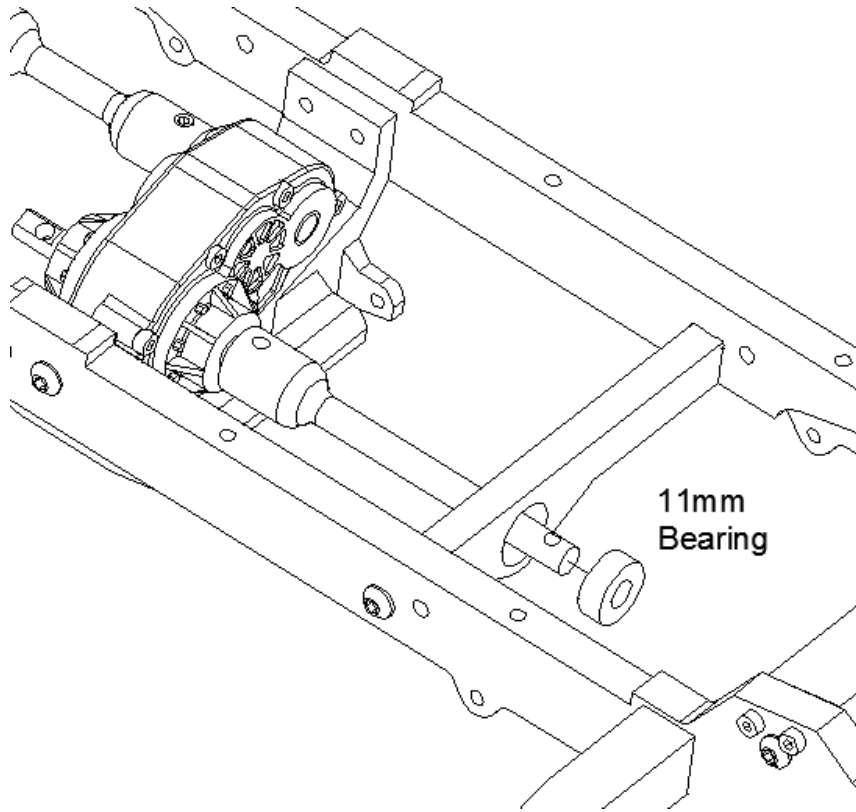


M3 Drive shaft pin

25

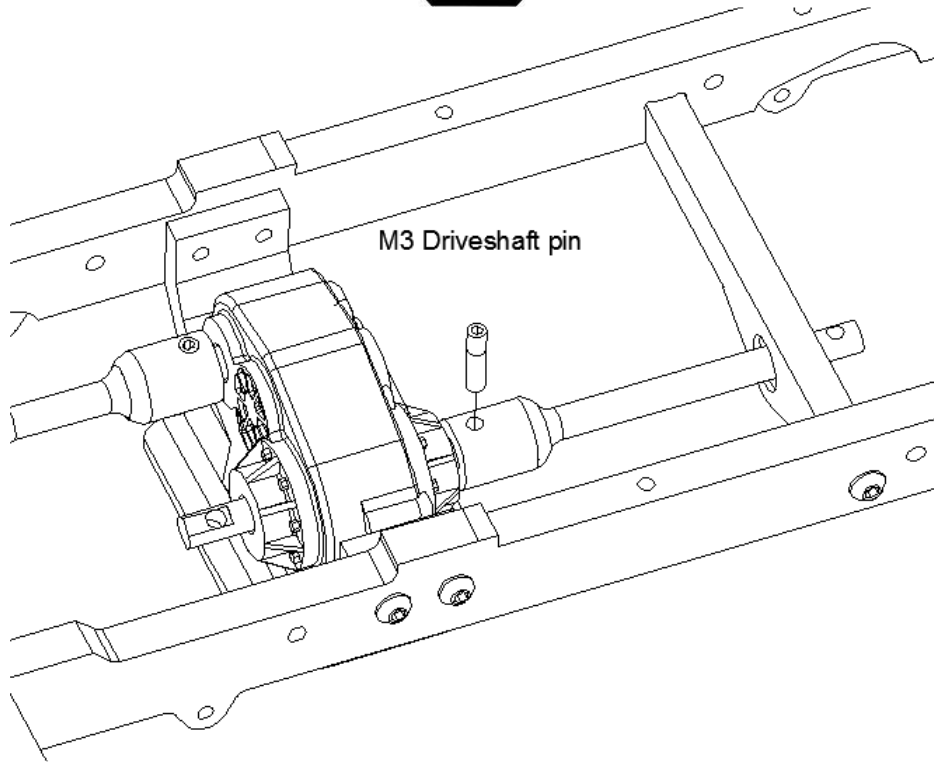




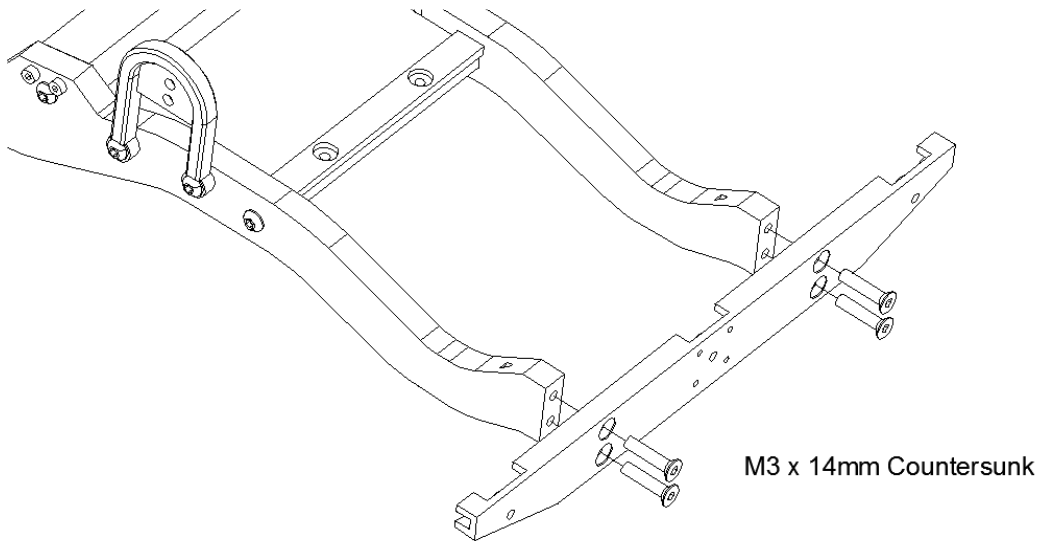


26\*



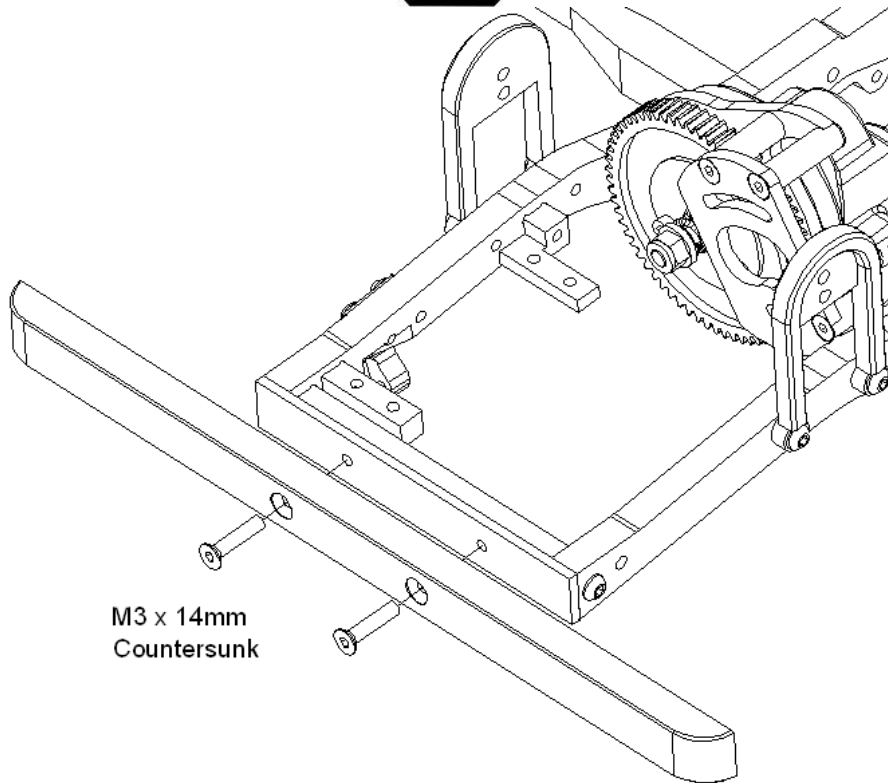


27\*



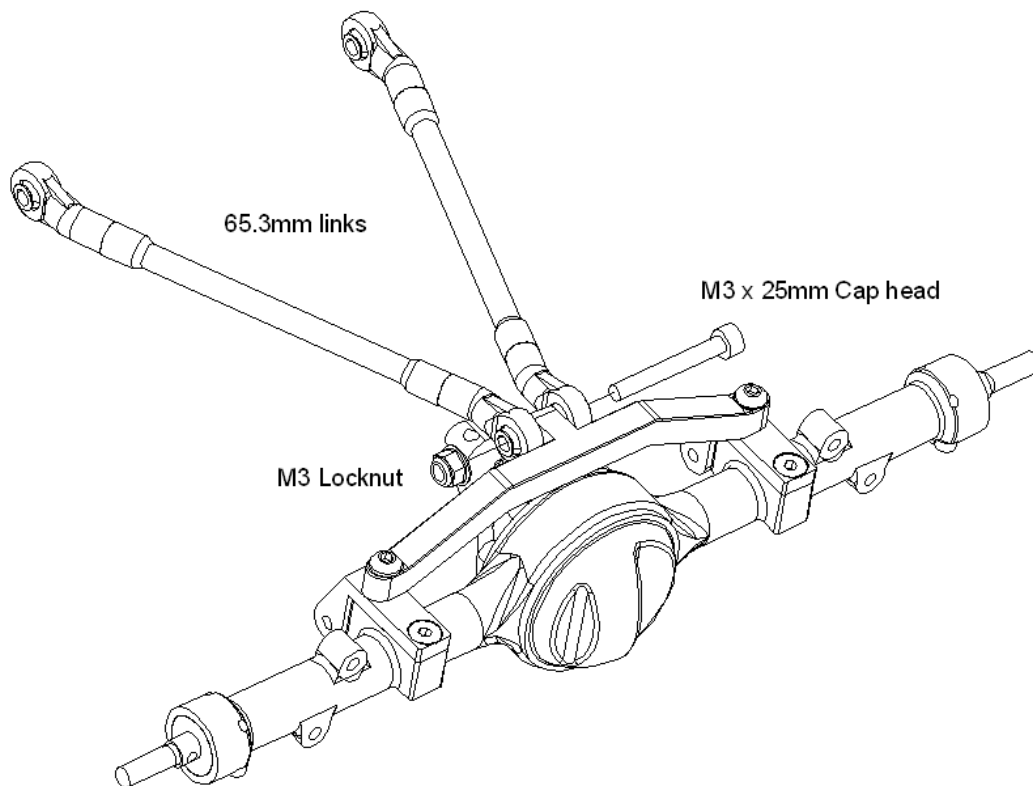
28 \*





M3 x 14mm  
Countersunk

29



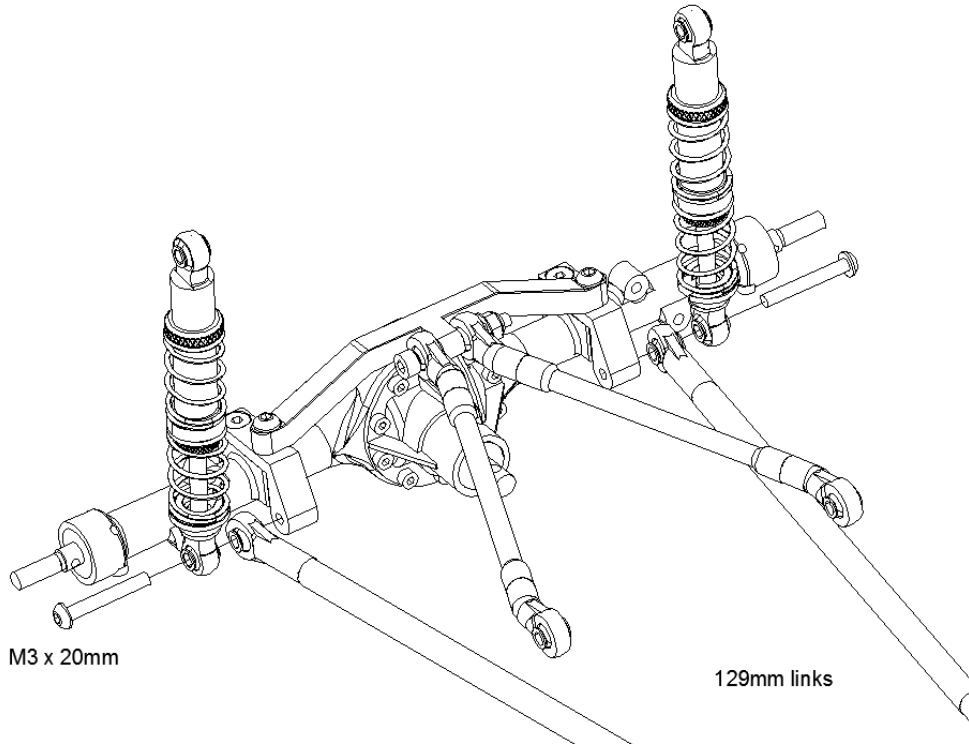
65.3mm links

M3 x 25mm Cap head

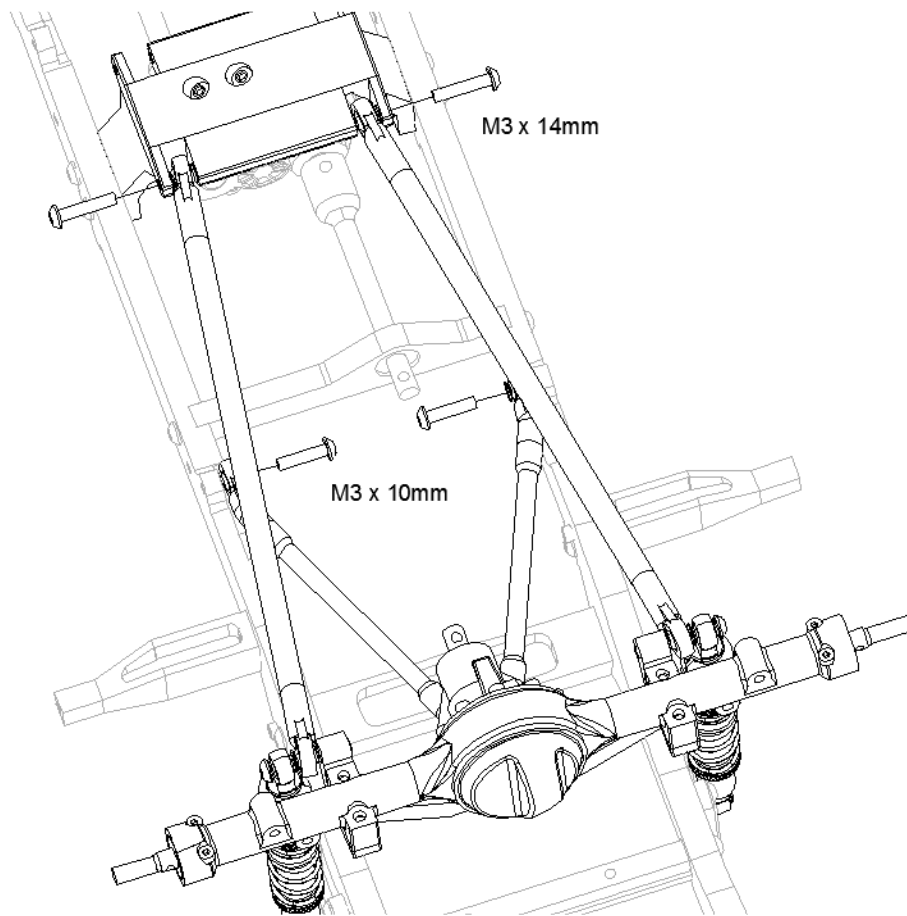
M3 Locknut

30 \*



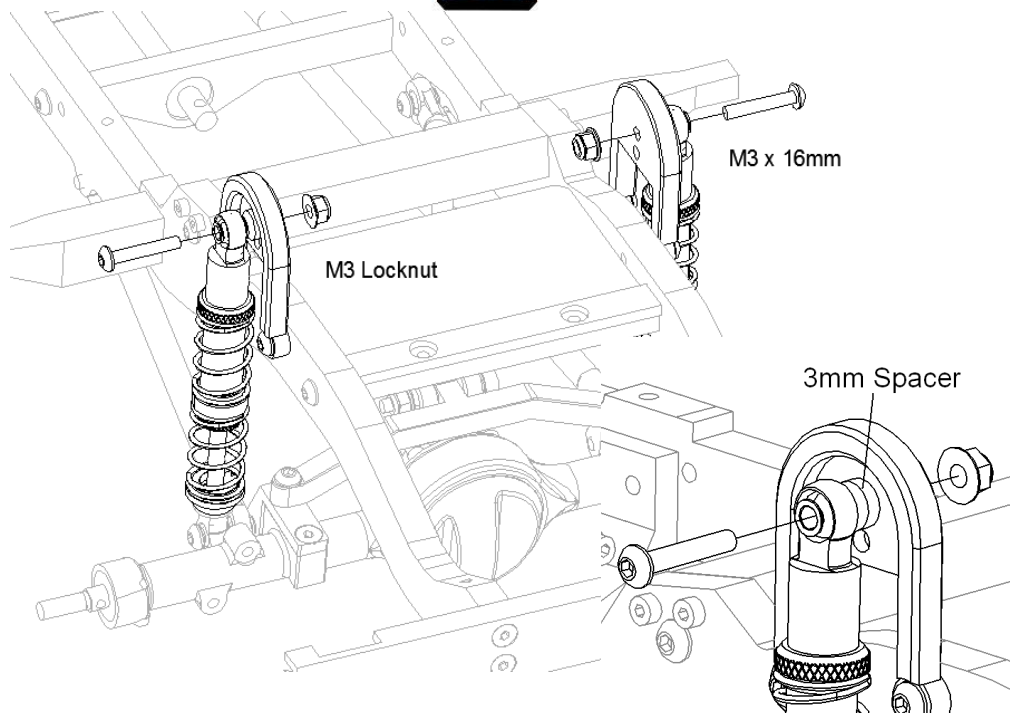


31 \*

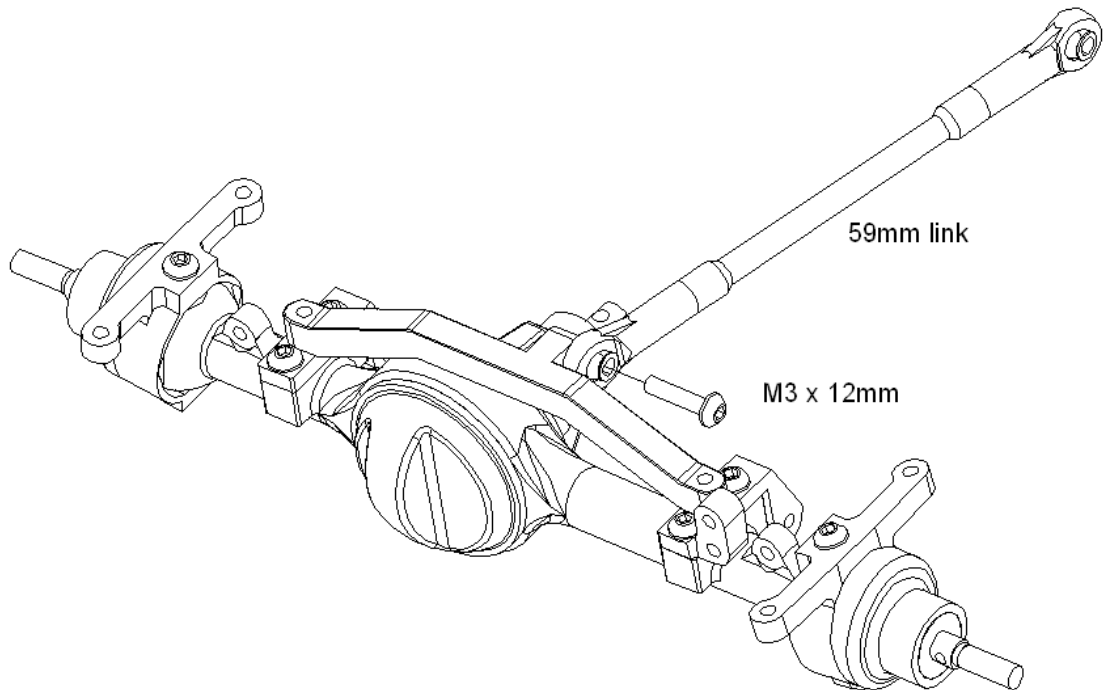


32



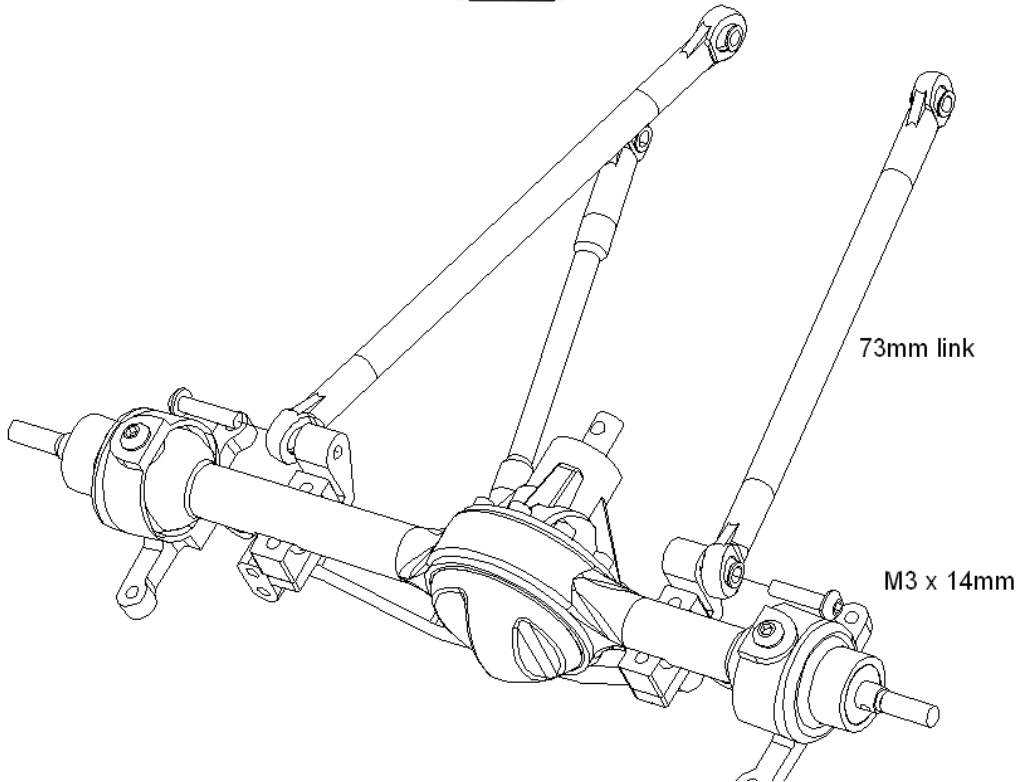


33 \*

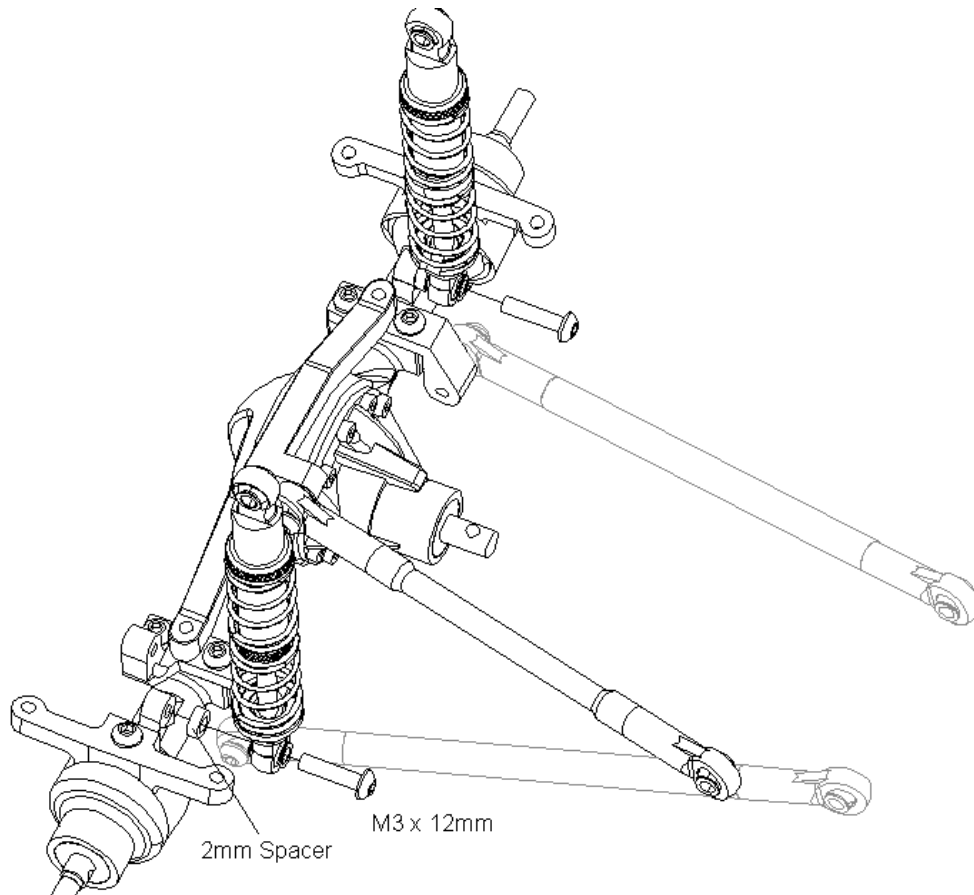


34 \*



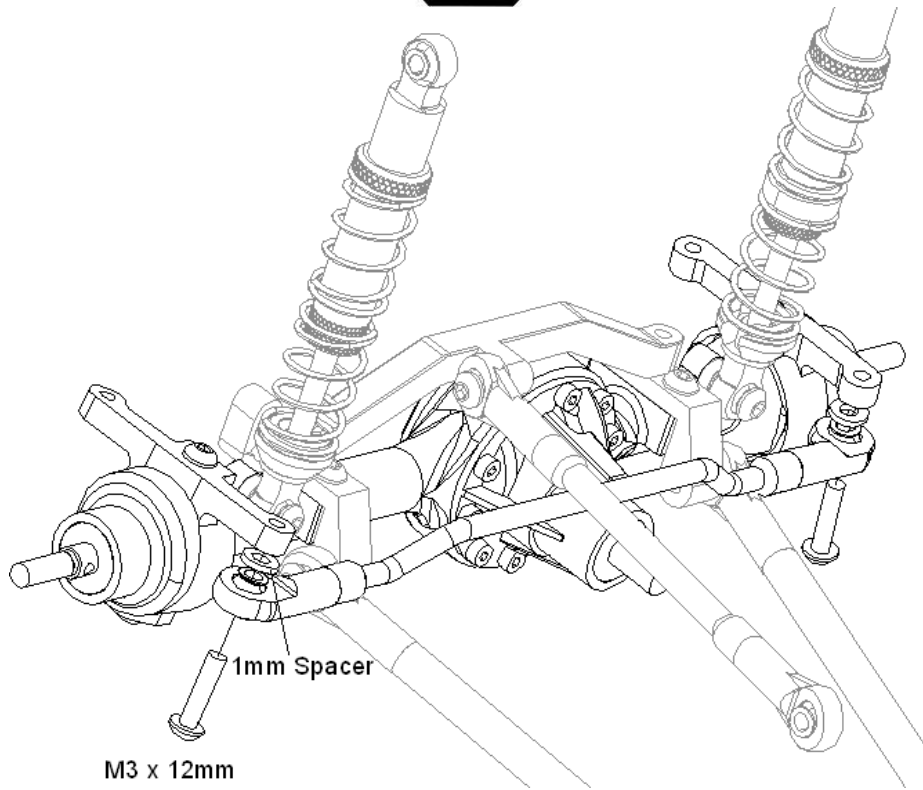


35 \*

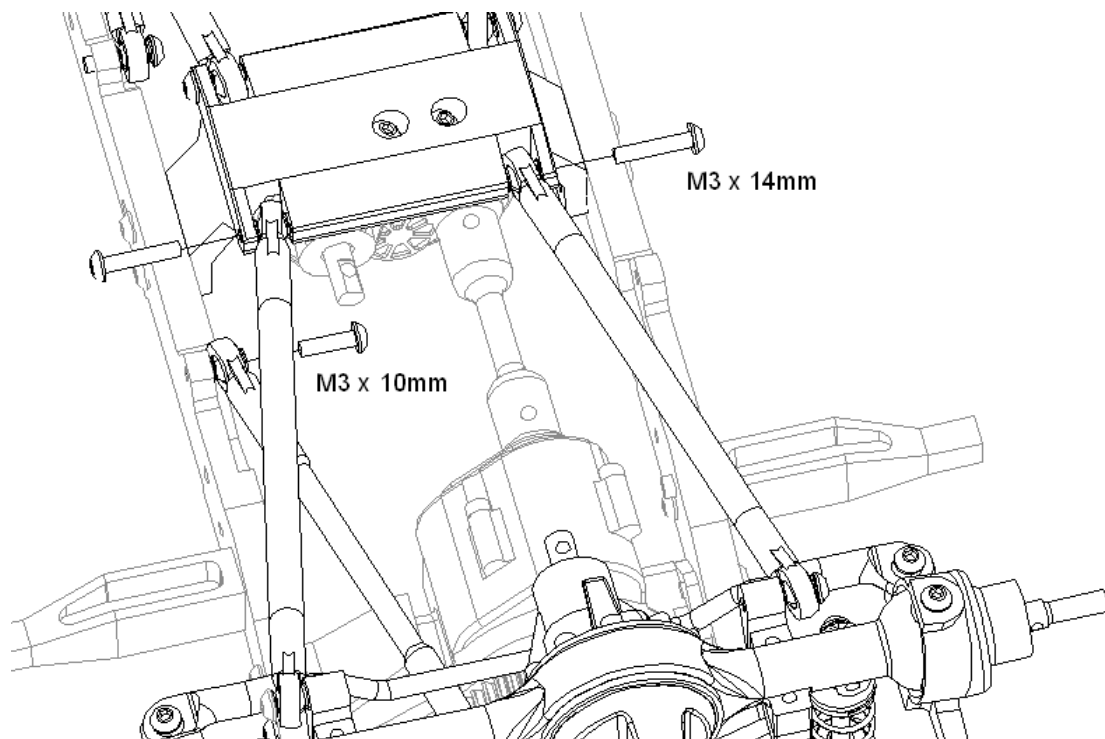


36 \*



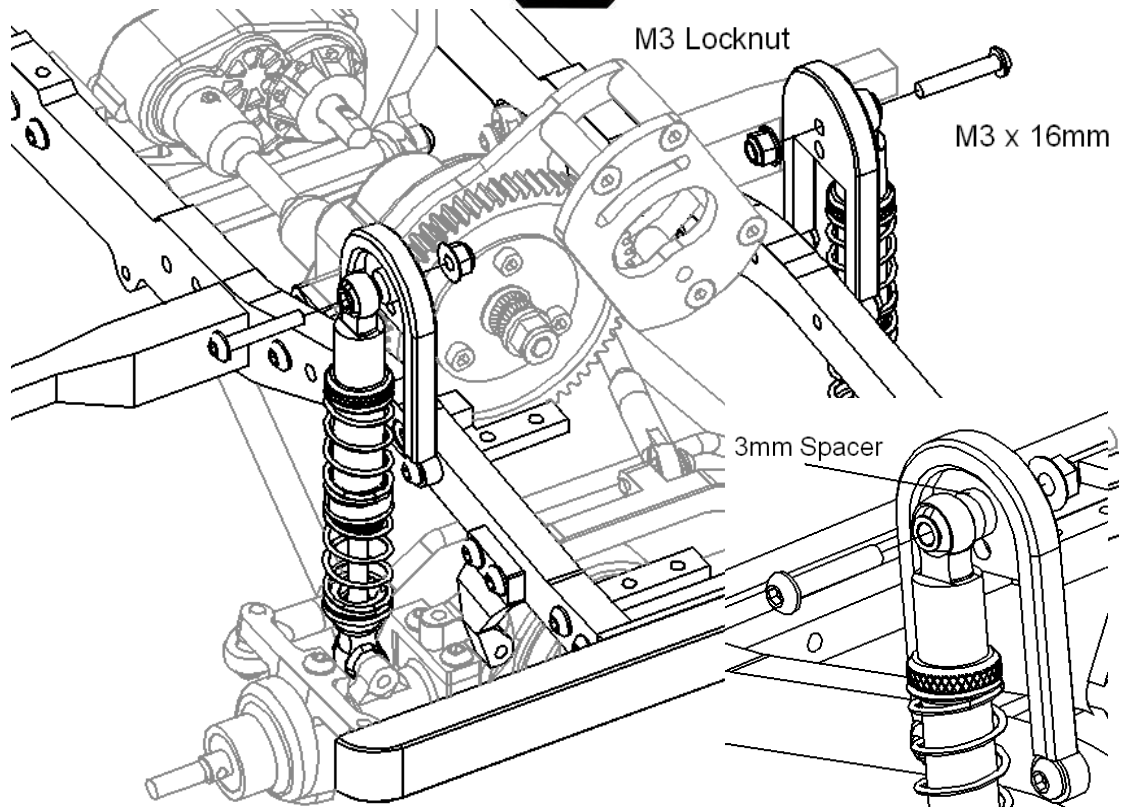


37\*

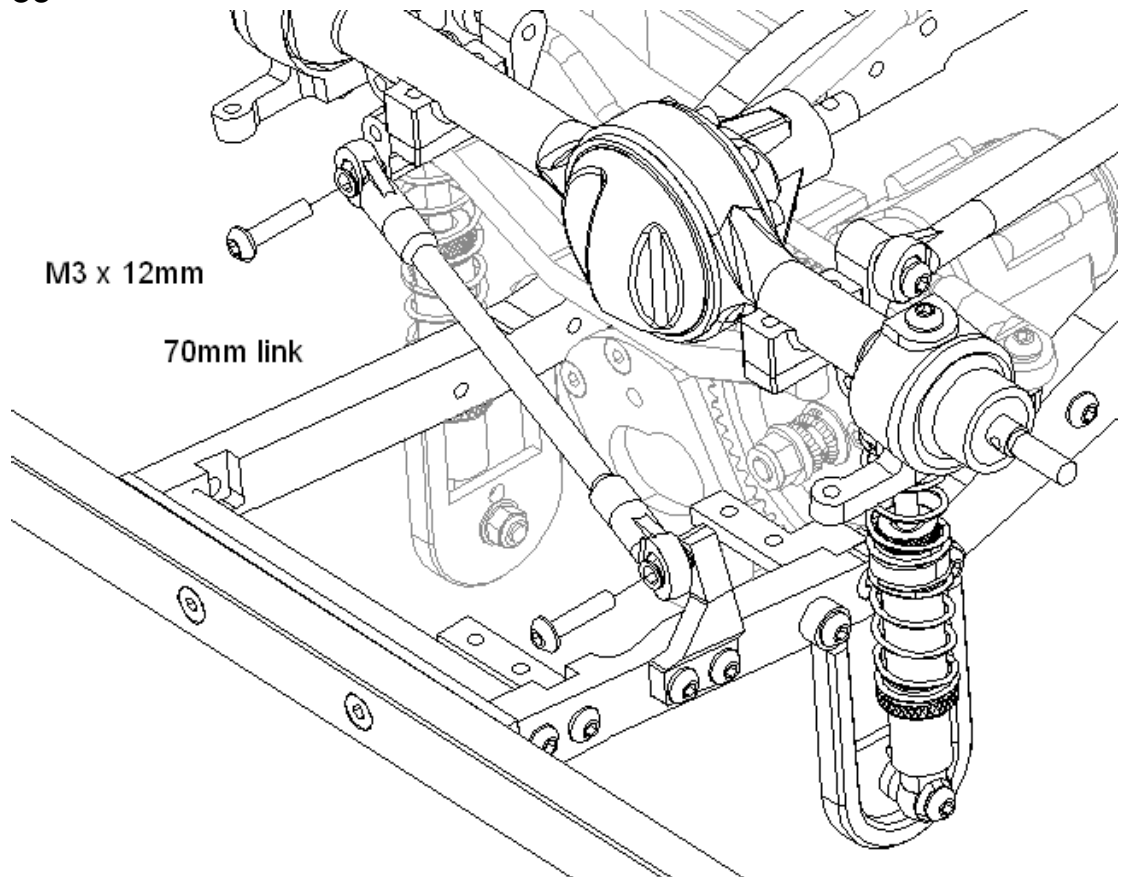


38





39 \*



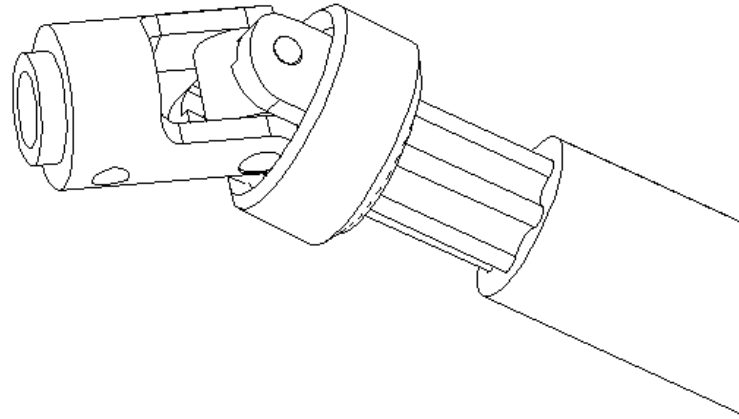
40





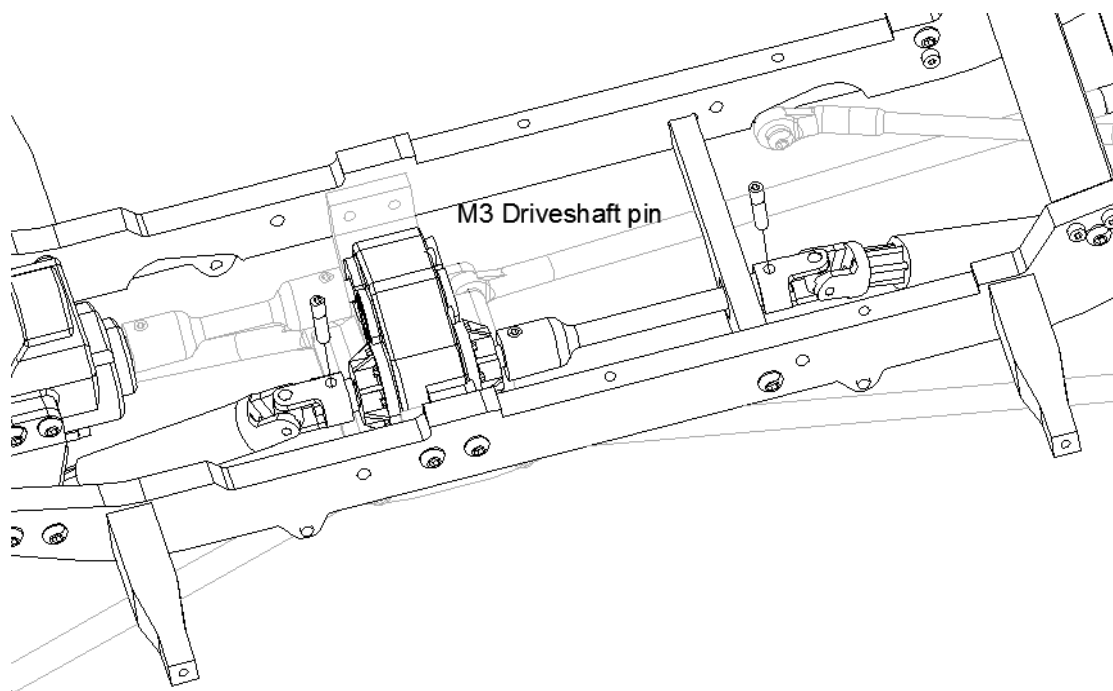


## Fit drive shaft rings



41 \*

## Fit both front and rear drive shafts

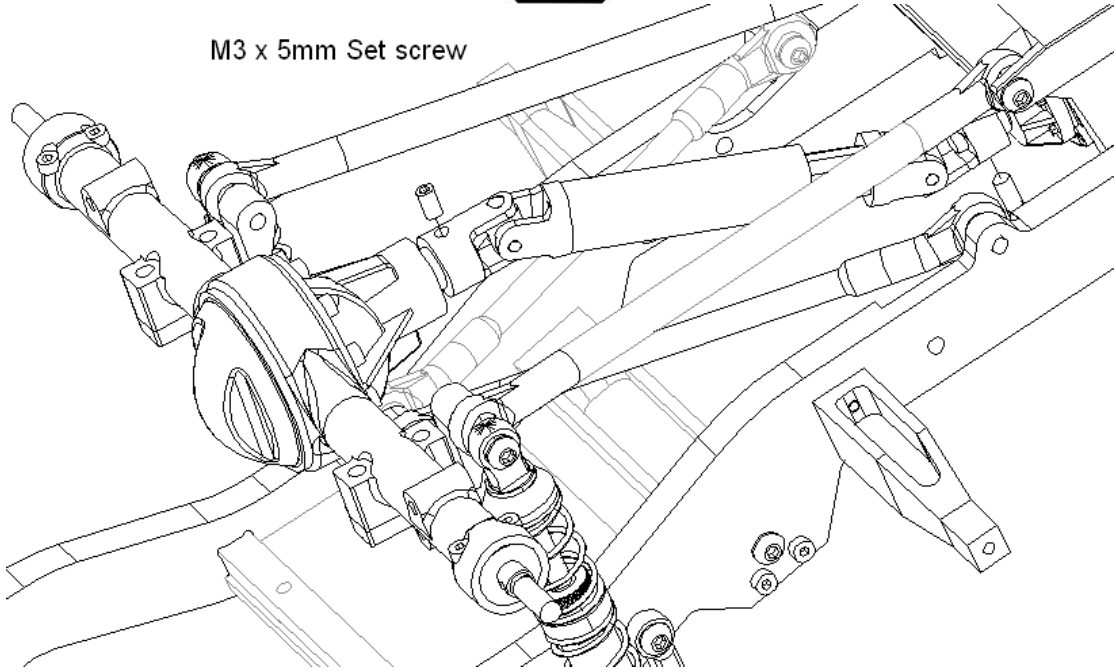


42 \*



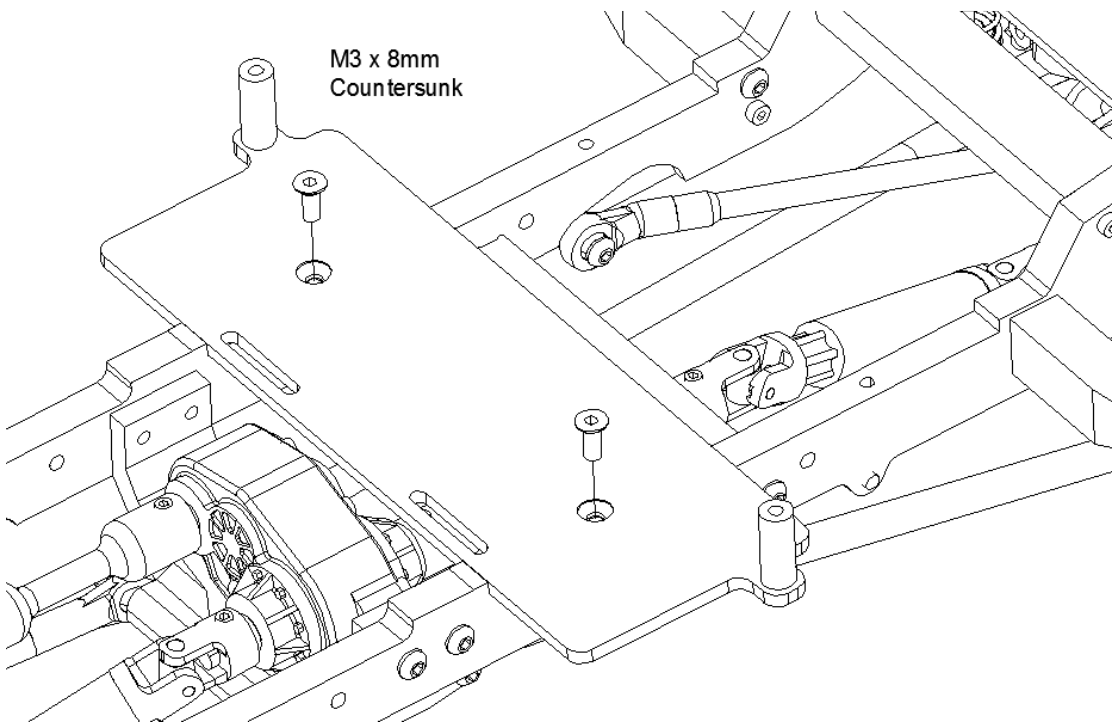


M3 x 5mm Set screw



43 \*

M3 x 8mm  
Countersunk

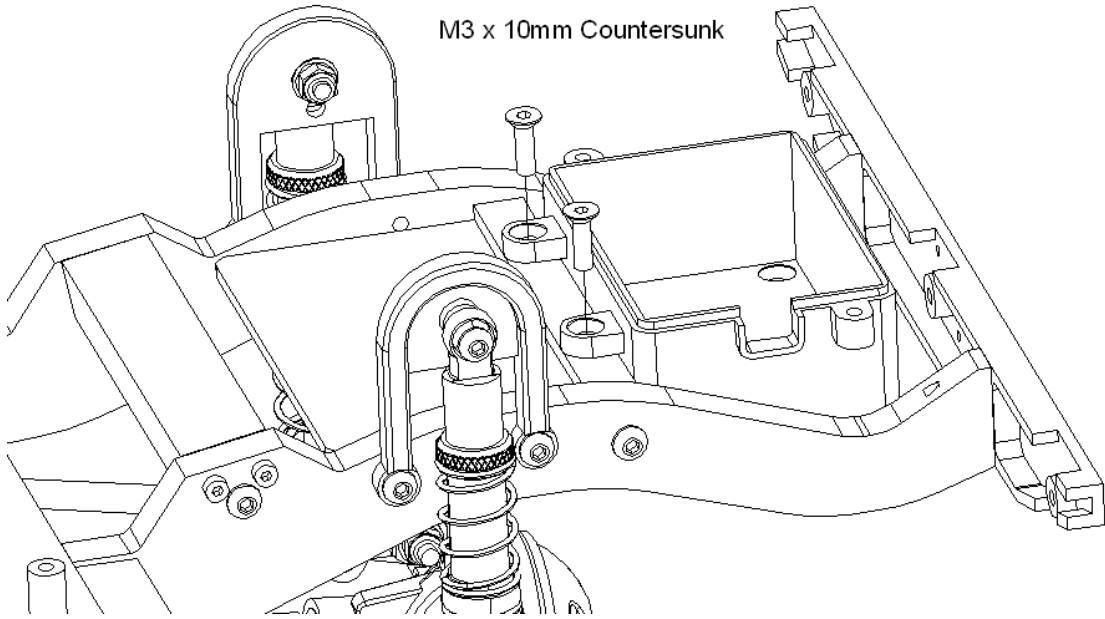


44 \*

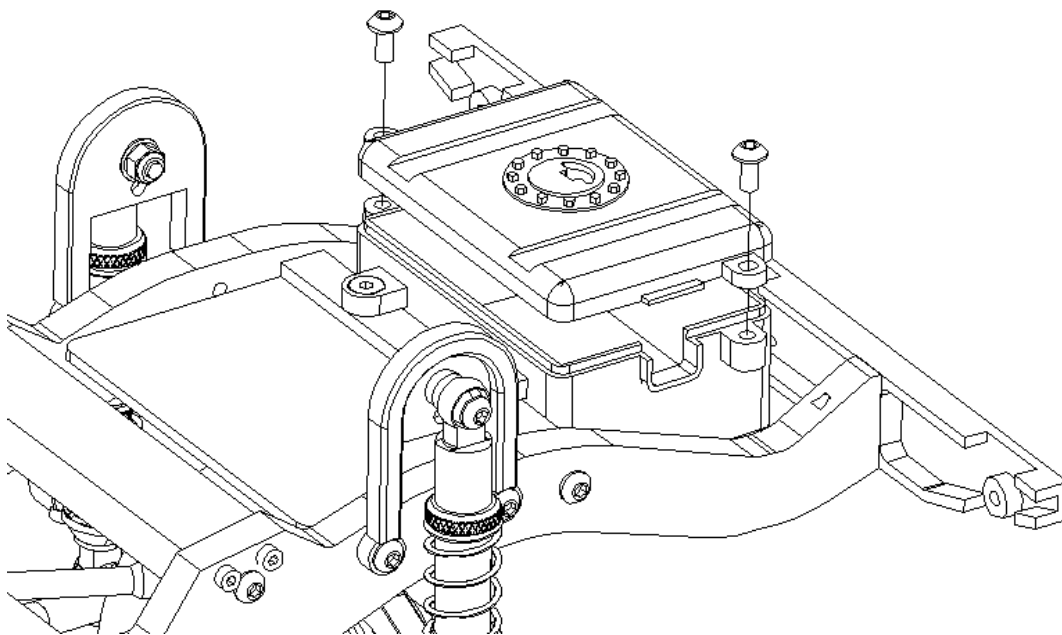




M3 x 10mm Countersunk



M3 x 6mm

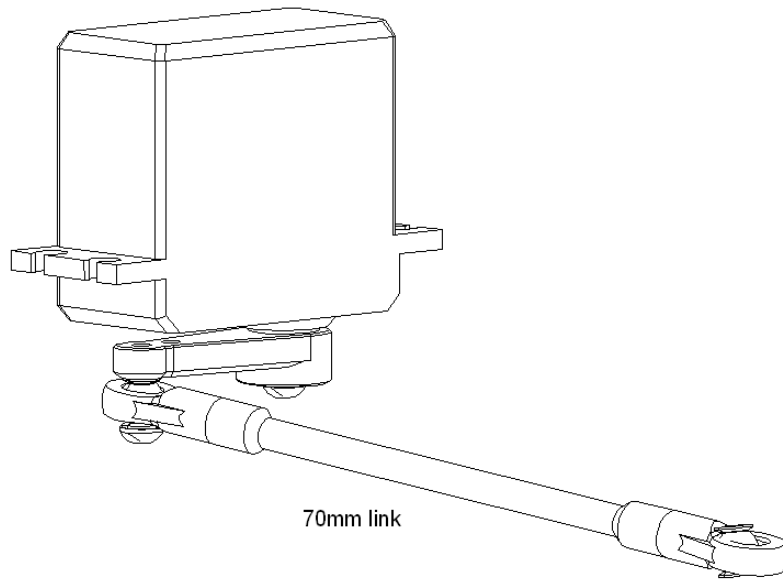


45 \*

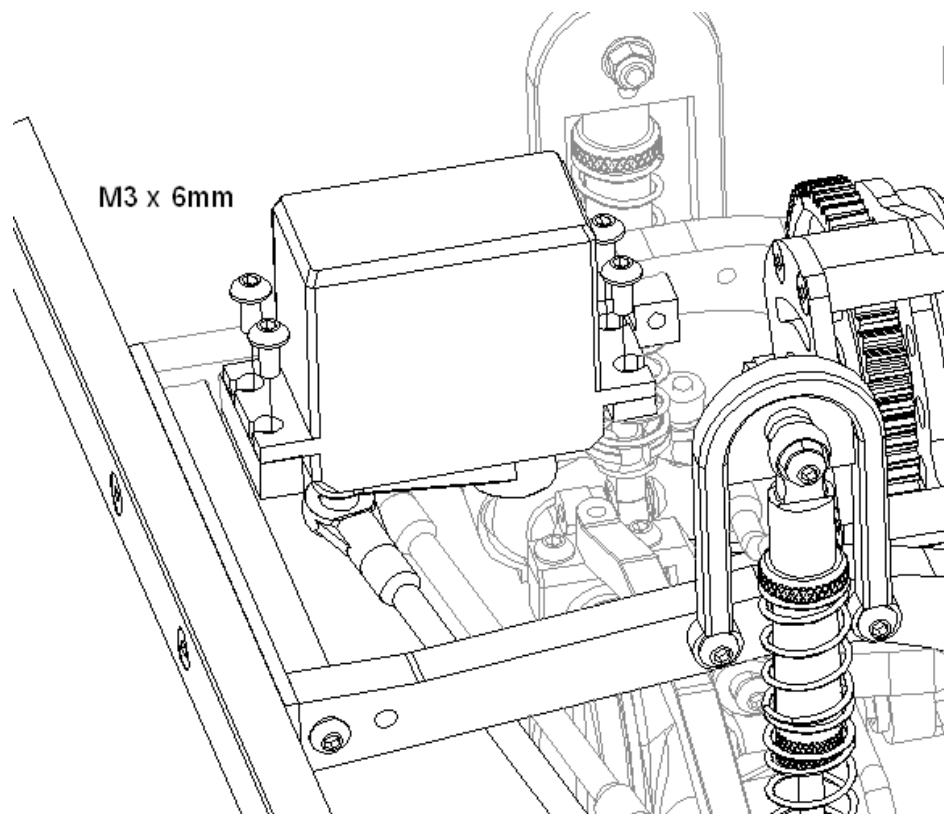




**Note: Servo and servo horn are not included in this kit**

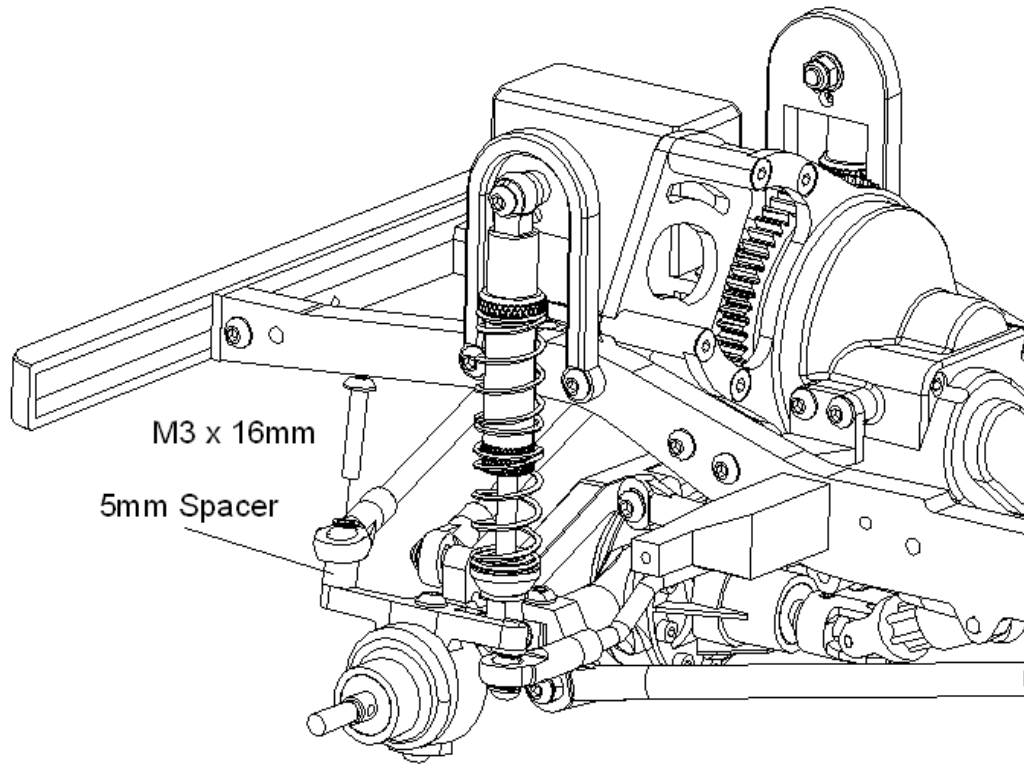


**46 \***



**47 \***



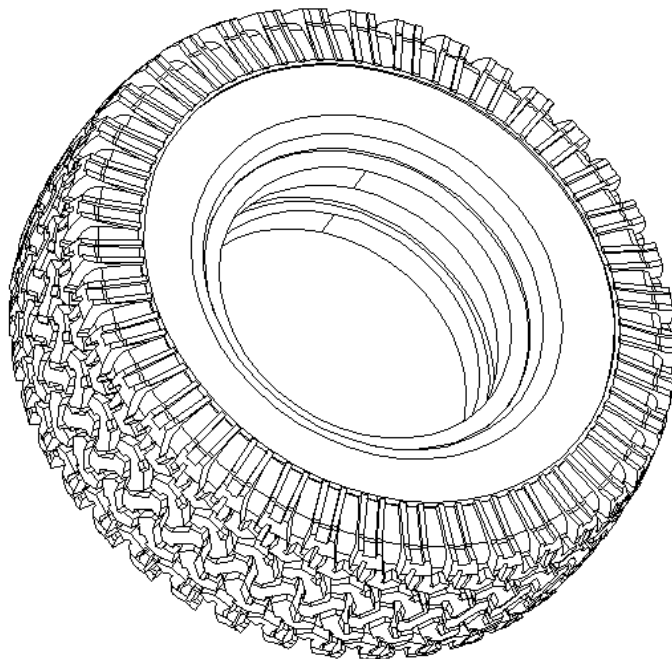
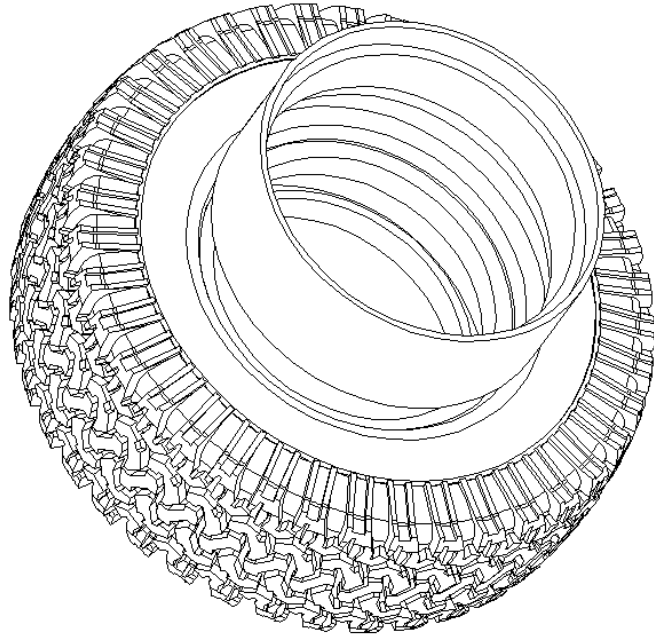




48

**Note: Wheels & tires may already be assembled in this kit so steps 48 – 55 may not be required but are included for future reference.**

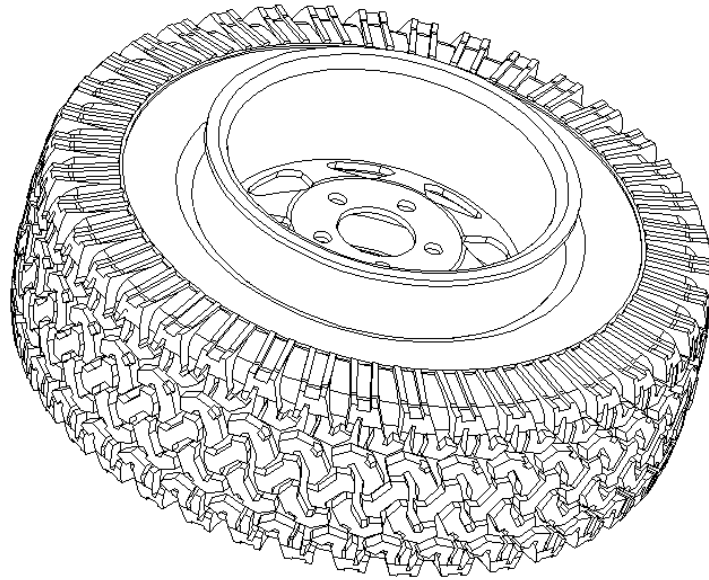
**Insert the ring inside the tire**



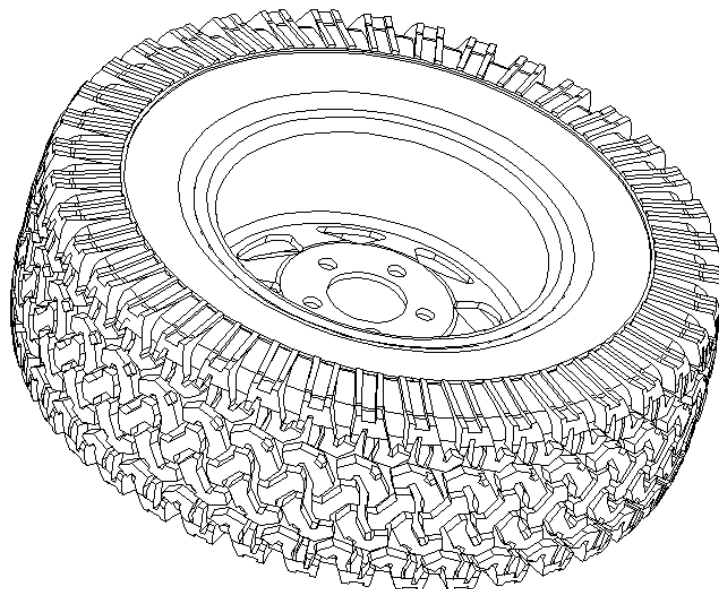


49

Place the rear wheel half inside the ring



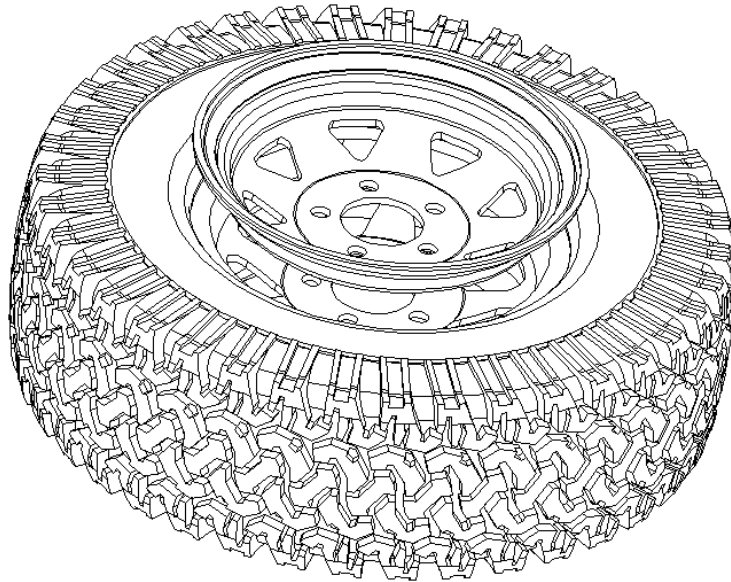
Ensure that the tire bead is evenly captured in the wheel rim.  
The tire may need to be pulled out a little to make it sit properly.



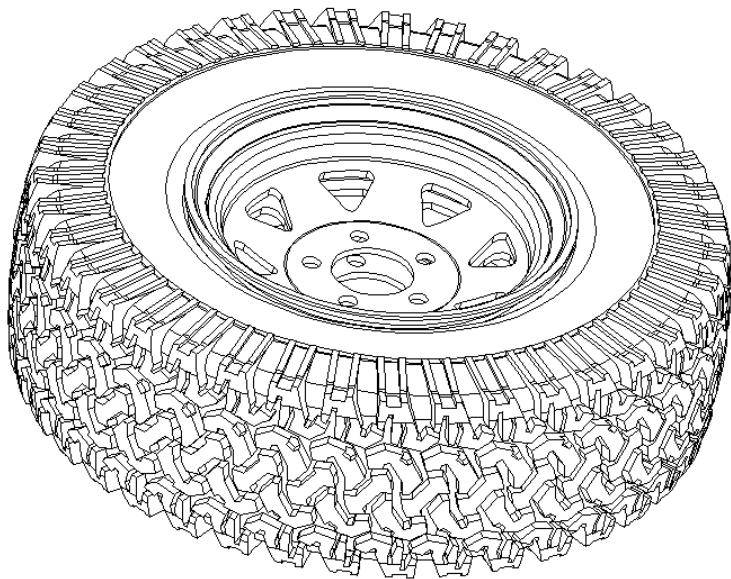


50

Place the front wheel half inside the ring. Ensure that the wheel design is aligned front and rear.



Ensure that the tire bead is evenly captured in the wheel rim. The tire may need to be pulled out a little to make it sit properly.



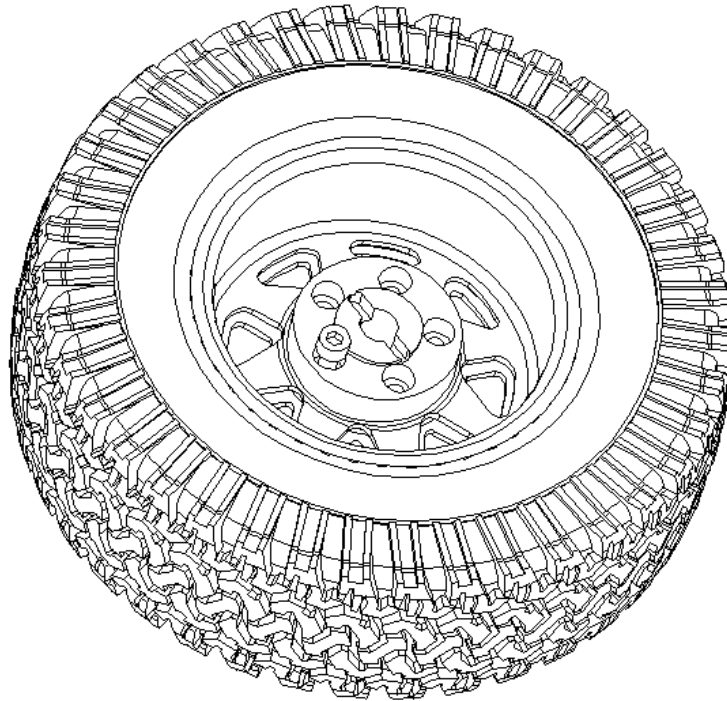
51



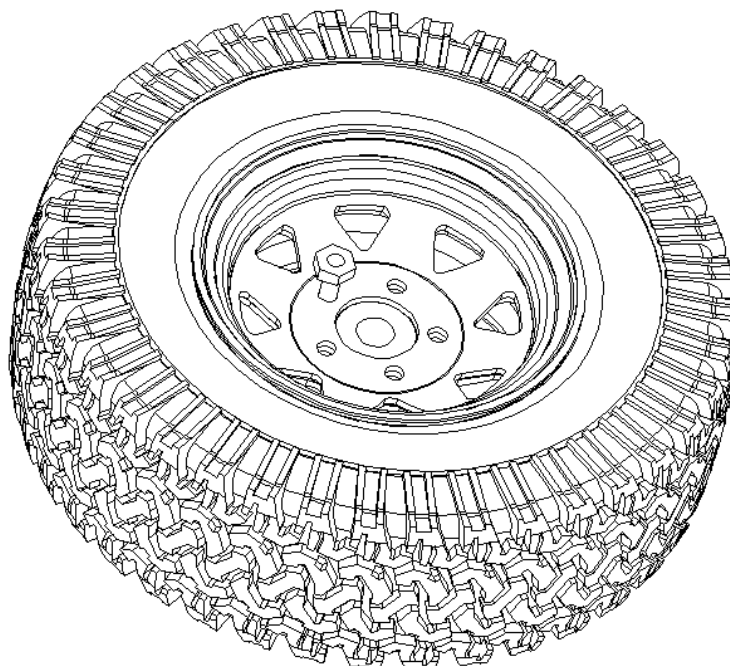




**Place the wheel hub on the rear of the wheel and insert a long bolt (M2.5 x 12mm) through the wheel**

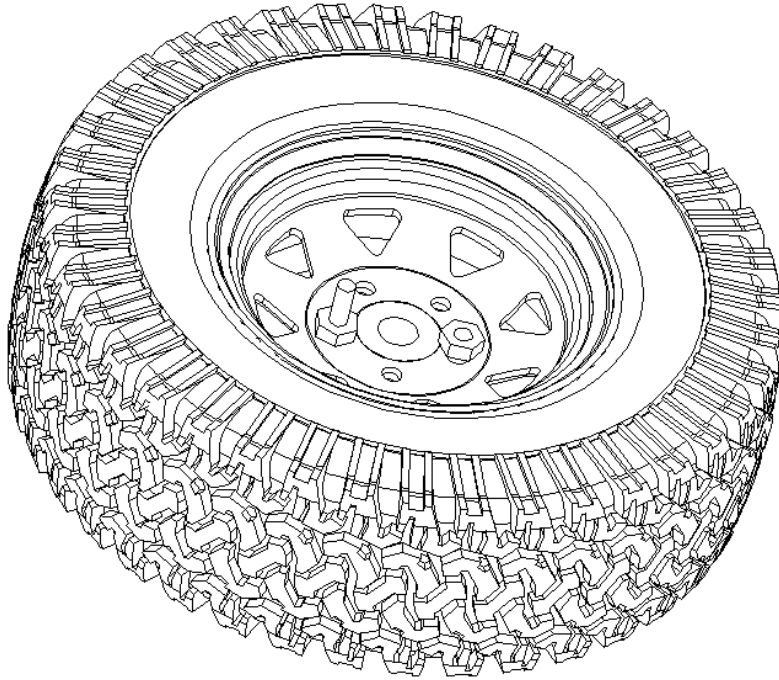


**Install a nut and tighten onto the long bolt. Make sure the tire bead is evenly captured while tightening the nut**



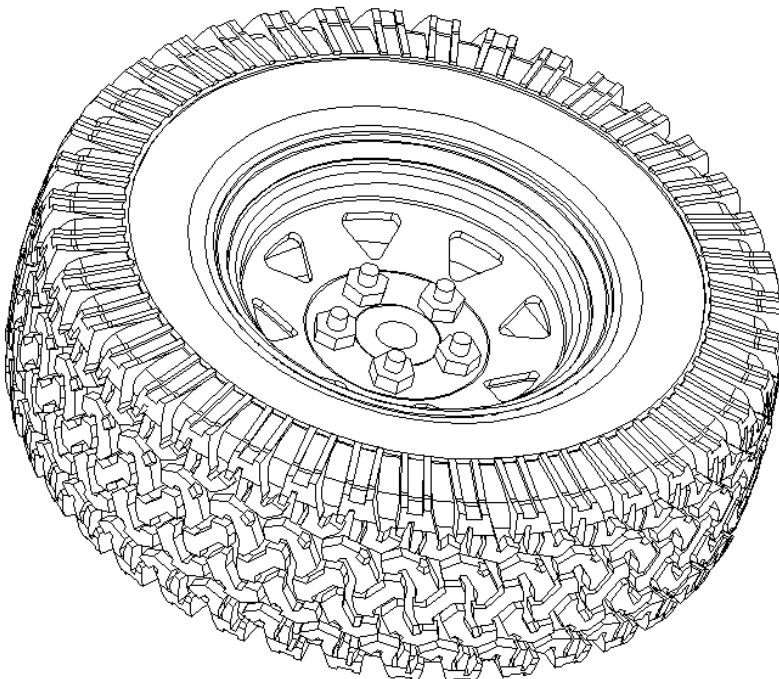


**Install the second bolt (M2.5 x 8mm) and nut. Make sure the tire bead is evenly captured while tightening the nut**



**53**

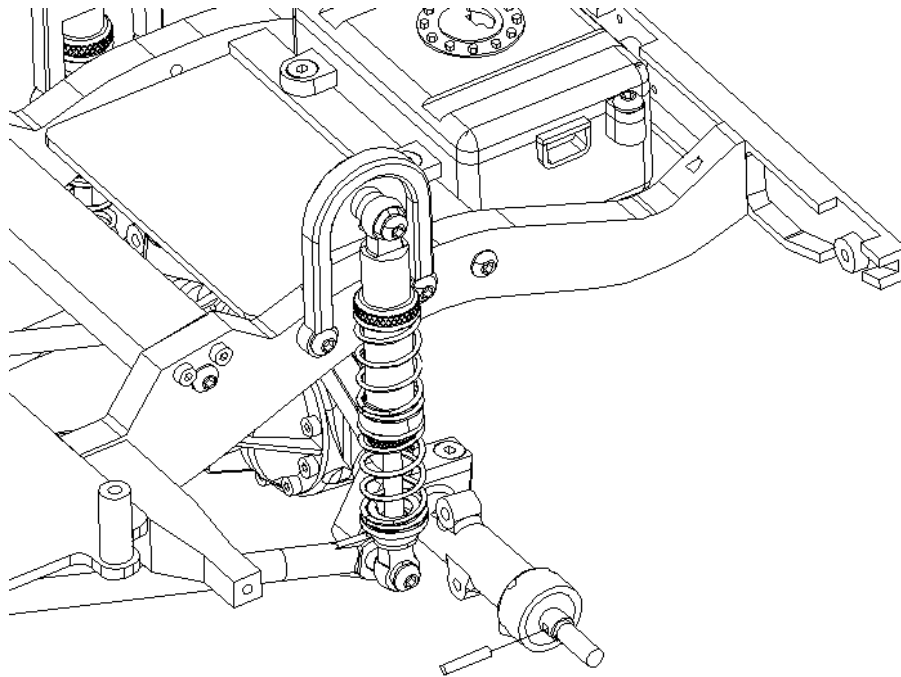
**Fit all of the remaining bolts and nuts. Swap the long bolt that was fitted for the shorter bolt**



**54**

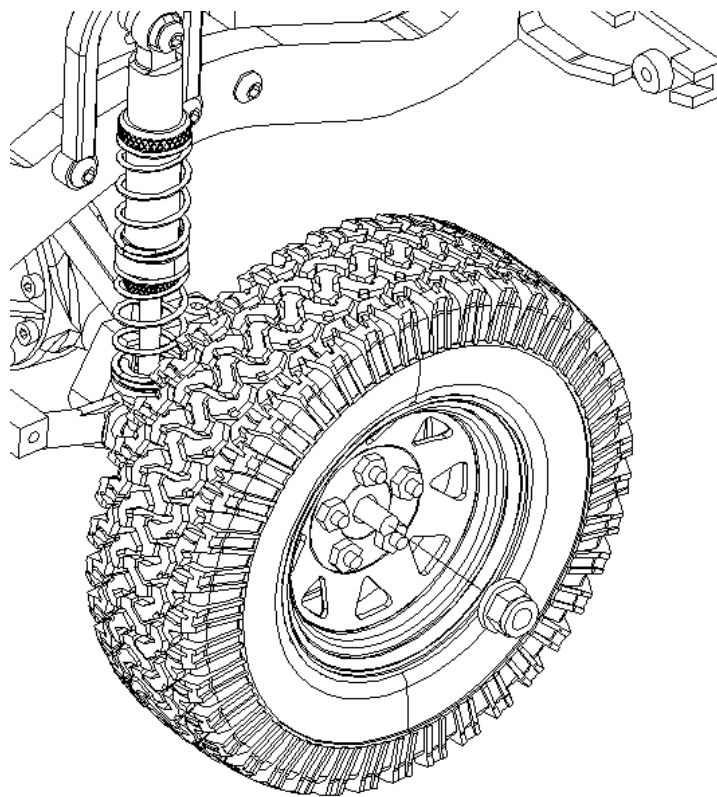
**Fit all four wheels**





2mm pin

55





## Spare Parts

Z-A0080 Yota2 Front Axle  
Z-A0081 Yota2 Rear Axle  
Z-S0790 G2 Body Mounts  
Z-S0791 G2 Servo Mounts  
Z-S0792 G2 Battery Deck  
Z-S0793 G2 Electronics Deck  
Z-S0794 G2 Front 3 Link + Panhard Mount  
Z-S0795 G2 Rear 4 Link Mount  
Z-C0043 G2 D110 Chassis Set  
Z-U0027 G2 Tcase Mount  
Z-S0798 G2 Front Shock Hoops  
Z-S0799 G2 Rear Shock Hoops  
Z-S0800 G2 Front Bumper  
Z-S0801 G2 Rear Bumper  
Z-S0802 R3 Single Speed Mounts  
Z-U0028 R3 Single Speed Transmission  
Z-S0803 G2 Metal Drive Coupling  
Z-S0804 M3 Drive Shaft Pin  
Z-S0809 1mm Spacer (Black)  
Z-S0806 3mm Spacer (Black)  
Z-S0821 5mm Spacer (Black)  
Z-D0039 80mm Dual Rate Shocks V2 (Black)  
Z-S0807 G2 59mm Link  
Z-S0817 G2 65.3mm Link  
Z-S0805 G2 73mm Link  
Z-S0819 G2 70mm Link  
Z-S0810 G2 Drag Link  
Z-W0129 5 Lug Wagon 1.9 Steel Stamped Beadlock Wheels (Black)  
Z-T0005 Dirt Grabber 1.9" All Terrain Tires  
Z-S0592 Trail Finder 2 Fuel Cell Radio Box  
Z-S0583 Scale Nylon Short Punisher Shaft (89mm-120mm)  
Z-S0443 Aluminum Driveshaft Locking Ring for Scale Nylon Punisher Shafts  
Z-S0399 M3 Medium Straight Plastic Rod End  
Z-S0402 M3 Short Bent Plastic Rod End  
Z-S0398 M3 Mini Plastic Rod End  
Z-S0401 M3 Offset Short Plastic Rod End  
Z-B0034 Land Rover Defender D90 Hard Body Spare Parts Assortment  
Z-S0687 Land Rover Defender D90 Door Handles  
Z-B0038 D90 Body Decal Sheet  
Z-U0024 Hammer Transfer Case  
Z-S1146 129mm Aluminum Link (Black)  
Z-S1148 Metal Drive Extended Coupling  
Z-S0430 14T 32P Steel Pinion Gear  
Z-G0055 64t Delrin Spur Gear

## Recommended Equipment





Z-E0032 Twister High Performance Waterproof Servo  
Z-S0820 G2 24T Servo Horn  
Z-S0822 G2 25T Servo Horn  
Z-R0006 XR4 4-Channel 2.4Ghz Transmitter/Receiver Radio

## Optional Parts

Z-S0734 1.9" 5 Lug Steel Wheel Hex Hub  
Z-S0532 1.9 5 Lug Steel Wheel Hex Hub with Brake Rotor  
Z-W0008 Land Rover Disco Freestyle 1.9" Wheels  
Z-W0037 Land Rover Disco Freestyle 1.9" Wheels (Gun Metal)  
Z-S0175 Scale Rear Hubs  
Z-S0196 Scale Aisin/Yota Style Hubs  
Z-S0823 Yota2 XVD  
Z-S0824 G2 Steering Guard  
Z-S0826 G2 Punisher Shaft  
VVV-S0006 Ultra Scale Hardened Steel Driveshaft (1.81"/2.16"-46mm/55mm)  
Z-S0137 Gelande Side Rock Sliders  
Z-S0596 Tough Armor Side Plastic Sliders for Trail Finder 2  
Z-S0753 Tough Armor Side Metal Sliders for Trail Finder 2  
Z-D0035 King Off-Road Scale Dual Spring Shocks (80mm)  
Z-S0006 #1 Aluminum Bumper Mount For Trail Finder 2  
Z-S0597 Shock Hoops for Trail Finder 2 Chassis  
Z-U0029 Triton Transfer Case (1:1 ratio)  
Z-S0993 Optional Rear Bumper Mount for Gelande 2  
Z-S0907 Yota II Scale Diff Cover

## Mailing Address:

RC4WD  
2016 Senter Road  
San Jose  
CA 95112  
USA

**Web:** [rc4wd.com](http://rc4wd.com)

**Email:** [support@rc4wd.com](mailto:support@rc4wd.com)

