

# HOBBYNOX™

## AS186A

*1/6HP Airbrush Compressor with 3L Tank*

### MANUAL



CE





宁波浩盛气动机械有限公司

NINGBO HAOSHEGN PNEUMATIC MACHINERY CO., LTD

---

**Manufacturer:** Ningbo Haosheng Pneumatic Machinery Co., Ltd

NO.18 Shanshui Road, Cindustrial Estate, Hengjie

Yinzhou. RP. China

## CE DECLARATION OF CONFORMITY

We declare under our sole responsibility that our mini air compressor,  
Model NO.AS186A&AS196AW, as delivered, is in conformity with the following  
Europe Directives:

Conforms to the Following directives and Standards:

2014/35/EU (Low-Voltage Directive )

2014/30/EU (Electromagnetic Compatibility)

And following modification or commission decisions,

The products has been tested against the following standard,

EN 55014-1:2006+A1:2009+A2:2011;

EN 55014-2:2015;

EN 61000-3-2:2014;

EN 61000-3-3:2013;

EN 60335-1:2012+A11:2014

Date of Issure: 4<sup>th</sup> July, 2017

Place of Issure: Ningbo China

Signature of responsible Person:  
Xinghuo Feng



地址: 宁波市鄞州横街工业 C 区山水路 18 号 邮编:315181

ADD :NO 18 OF shanshui roda,C industrial estate,hengjie,yinzhou ningbo,china P.C.:315181

电话(TEL): +86-574-88426467、88283328、、88283318

传真(FAX): +86-574-88283308 E-mail:ssf@haoshengnb.com

网址(HTTP:// www.haoshengnb.com [www.nbhaosheng.net](http://www.nbhaosheng.net)



## Safety

- This appliance can be used by children aged from 8 years and above and persons with reduced physical, sensory or mental capabilities or lack of experience and knowledge if they have been given supervision or instruction concerning use of the appliance in a safe way and understand the hazards involved.
- Children shall not play with the appliance.
- Cleaning and user maintenance shall not be made by children without supervision.
- If the supply cord is damaged, it must be replaced by the manufacturer, its service agent or similarly qualified persons in order to avoid a hazard.
- Guard against electric shock. Do not use the air compressor outside, in damp or wet locations or in the vicinity of water.
- Unplug the air compressor when it is not in use. Turn off and unplug the air compressor from the wall socket before carrying out any maintenance.
- Avoid unintentional starting. Do not move the air compressor when it is connected to the power supply.
- Do not overload wall outlets, extension cords, or power strips beyond their capacity. This could cause a circuit breaker trip, insufficient voltage supply, or an electrical fire.
- Always place the compressor on a flat and stable surface.
- Always remain in attendance when the compressor is in operation.
- Store the air compressor in a safe place. When the air compressor is not in use, it should be kept in a dry place, away from children.
- Keep the air compressor out of children's reach. Keep children and visitors at a safe distance from electrical machinery/tools and electric cables in the workplace.
- Do not abuse the mains lead. Do not carry the air compressor by its mains lead. Do not yank the mains lead to unplug the air compressor, hold the plug when pulling it out of the socket. Make sure that the mains lead does not come into contact with heat, oil, or sharp edges.
- Use the air compressor for the purpose it was designed for. Follow all the instructions in this instruction manual. Do not allow children or people unfamiliar with the air compressor to operate it.
- Regularly check that all screws are adequately tightened.
- Do not use the air compressor if it is damaged. If the air compressor emits unusual noises or heavy vibrations or shows any other signs of damage it should be switched off immediately. Contact customer services to find out what the cause of the problem is.
- The air compressor must not be modified. Contact customer services before carrying out any repairs to the air compressor. Modifications carried out on the user's own authority can lead to personal injury or damage to the air compressor.
- Do not touch any hot surfaces on the air compressor. Burn hazard.

# HOBBYNOX AS186A - 1/6HP Airbrush Compressor

## Important!

Thanks for purchasing this airbrush compressor! This manual contains essential information about the use of the product and any safety issues. Read the entire manual carefully and make sure you understand it before you use the equipment. Keep the manual for future reference.

## Choosing the right Compressor

To choose the right airbrush compressor for you - first you need to think about how you plan to use it.

- With or without an air tank?
- Is a steady air flow important without any pulsating air?
- Is low noise important?
- Need to use more than one airbrush at a time?
- Is adjusting the air pressure important?
- Do you need an moisture trap air filter?
- How much air flow is needed? (measured as litres per minute)

Hobbynox™ airbrush compressors are equipped with an air tank that eliminates the pulsation that is common with smaller compressors (w/o tank). The tank also extends the life of the compressor motor as it can rest a little.

Our compressors also use a piston driven compressor that is completely oil-free for a contamination free paintwork.

With the included air regulator you can adjust the air pressure to perfectly suit your airbrushing needs and it's also protected well within the compressor's steel outer cage.

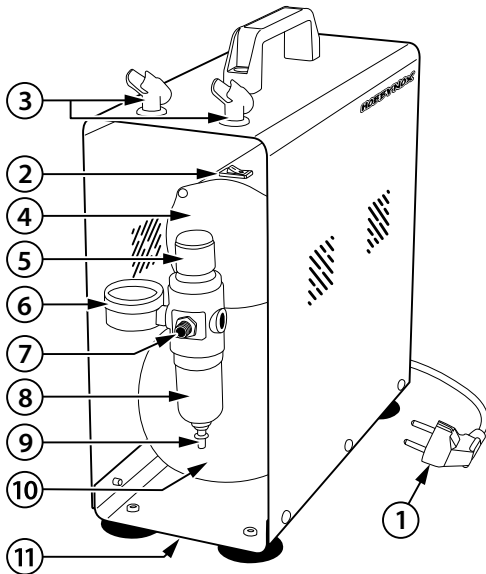
## Features

- Can be used for most custom airbrush paint work, model building and other hobbies etc.
- Oil-free piston type compressor. This allows the compressor to be quiet without atomizing oil into the air stream, which makes the compressor virtually maintenance free.
- Air tank for smooth air flow and zero air pulsing
- Air regulator with pressure gauge, moisture trap filter and adjustable air pressure
- Auto-start and auto-stop function
- Steel cover
- Dual airbrush holders
- Thermal overload switch
- Low noise level: 47dB
- Air tank safety release valve

## Specifications

- Single cylinder piston compressor with air tank and auto-stop / auto-stop function
- Power: 1/6 HP
- Speed: 1450/1700 RPM
- Noise Level: 47dB
- Max Air Flow: 20-23 litre/minute
- Auto Start at: 3 BAR (43PSI)
- Auto Stop at: 4 BAR (57PSI)
- Air Pressure Adjustable Range: 0-4 BAR
- Air Tank: 3 litre
- Suitable airbrush nozzles: 0.2-0.8 mm
- Air Outlet Thread: 1/8" BSP male
- Size: L317 x W140 x H360 mm
- Weight: 8.2 kg

# HOBBYNOX AS186A - 1/6HP Airbrush Compressor



## Using the Compressor

1. Plug the compressor into a power outlet. Turn the compressor on by pressing the On/Off Switch.
2. The air compressor outlet has a 1/8" BSP male thread - that is the most common airbrush hose thread in the world. If your airbrush and hose uses a different thread you need to get a suitable threaded adaptor. Note, the airbrush hose is not included with this compressor.
3. Sometimes there is a small air leak in the air hose connectors - please use an PTFE elastic seal tape to stop the leakage.
4. To adjust air pressure, pull up on the black regulator knob. Turn the knob clockwise to increase air pressure, or counter-clockwise to decrease air pressure. When the desired pressure is reached, push down on the knob to lock it in place.
5. NOTE: Adjust pressure only when the compressor is turned on and connected to an airbrush/air gun, with the trigger/handle depressed.
6. The pressure gauge connected to the pressure regulator/moisture trap gives continuous, real-time readings of current air pressure delivery.
7. When condensation accumulate in the moisture trap, push on the moisture trap drain valve to release the built-up moisture. Perform this operation as often as needed - with greater frequency the higher the humidity.

## Overview

1. 220-240V/50Hz Main Socket. Please unplug it when not in use.
2. On/Off Switch
3. Dual Airbrush Holders
4. Compressor Motor
5. Adjustable Air Pressure Regulator
6. Air Pressure Gauge
7. Air Outlet (1/8" BSP Male Thread)
8. Moisture Trap Air Filter
9. Moisture Trap Drain Valve
10. Air Tank
11. Air Tank water/moisture drain valve. You need to tilt the compressor or lift it up to reach the drain valve.

# HOBBYNOX AS186A - 1/6HP Airbrush Compressor

- With a dual-action airbrush attached, but not in use, the auto stop pressure switch automatically stops the compressor when the air tank pressure reaches 4 Bar (57PSI), and it will automatically re-start the compressor when the airbrush is used and the pressure in the tank drops to 3 Bar (43PSI).
- Don't use an airbrush or air-gun that uses more air flow than 20-23 litre per minute for a longer time than about 30 seconds at a time as you will empty the tank at a higher rate than the compressor motor can manage to fill it with.
- Do not touch any exposed metal parts on the compressor during, or immediately after operation. The compressor will remain hot for several minutes.
- It is recommended that the compressor is not run continuously for more than one hour with the auto stop in action. After one hour of continuous operation, use the On/Off Switch to turn off the unit. Allow the unit to cool for 10 to 15 minutes before turning the compressor back on.
- The compressor has a thermal safety switch which automatically ceases compressor operation when the compressor becomes too hot. If this happens, use the On/Off Switch to turn off the compressor. Allow the unit to cool for 10 to 15 minutes before turning the compressor back on.

## After using the Compressor

- After each use, make sure the unit is turned off and unplugged.
- Depressurize the tank. (Release the remaining air in the tank)
- The air tank will collect moisture and will need to be drained. How often is based on the weather and how much humidity is in the air.
- Unscrew the nut on the drain valve at the bottom part of the air storage tank.
- Let it drain.
- Screw the nut back into the tank drain valve.



### Distributed in Europe by:

**Minicars Hobby Distribution AB**

Annelundsgatan 17C

749 40 Enköping, Sweden

Phone: +46-171-14 30 00

E-mail: [service@minicars.se](mailto:service@minicars.se)

Web: [www.minicars.se](http://www.minicars.se)

# AIRBRUSH COLOR SYSTEM



## HOBBYNOX™

### Water-Based, Non-Toxic

Our water-based, non-toxic airbrush paints are made with light-fast pigments, durable resins and quality ingredients. Hobbynox Airbrush Colors works on polycarbonate (Lexan®) and most other plastics, wood, metals and more.

Hobbynox Airbrush Colors remains flexible and resists cracking, chipping and most impact damage.

### Use Hobbynox Airbrush Colors to paint:

- R/C Polycarbonate BodysHELLs
- Custom Paint Jobs
- Fishing Lures & Crankbaits
- Model Kits (if the model doesn't have too much details)
- Helmets
- And More!

### Wide Color Range

Hobbynox Airbrush Colors include a wide assortment of Solids (Opaque), Transparents, Neons, Pearls and Iridescents.

### Your Airbrush

Hobbynox Airbrush Colors work best out of the bottle with a 0.5 mm tip-sized airbrush operated @ 2.8-3.5 BAR.

For smaller tip-sizes, lower the BAR settings and fine-line detailed artwork - reduce the paint with Hobbynox SP Reducer/Cleaner until the desired viscosity and atomization is reached (normally up to 25% by volume).

**After use:** use our SP Reducer/Cleaner to flush through the airbrush until it's totally clean.

### Temperature & Humidity

The optimum temperature range for using Hobbynox Airbrush Colors are 21-26° C and with less then 50% humidity.

Hobbynox Airbrush Colors cure with the assistance of mild-heat and airflow (use an hair-dryer set on low to assist).

## Solid Colors

Opaque/Solid paints are the base of the Hobbynox Airbrush Colors. They are suitable for any airbrush work and can be mixed with any other Hobbynox Airbrush Color.

## Transparent Colors

Perfect to use when fading/mixing with other transparent colors or back them with solid white for a lighter appearance, or any other color for a custom effect. Use either Pearl Silver or Pearl Gold backing for a pearl look or Chrome for a deep metallic look. Transparent Grey is also perfect to use as a window tint.

## Special Color

**Chrome:** Can be used as silver (faster drying and thinner than pearl silver) or backed with Solid Black for a brilliant satin chrome finish. Chrome can also be used to cover the Transparent colors for a deep metallic look.

## PEARL COLORS

Pearl colors are vibrant paints made by combining pearlescent pigments of various type. One difference vs a metallic paint is that pearl colors are not limited to sparkle with silver alone and the paint-effect looks a little deeper. They are slightly transparent and can be backed with any Hobbynox Airbrush Color.

## Iridescent Colors

The Iridescent Colors are Pearl paints with an added hue shift that changes its appearance mostly on contours and edges of the painted item. They are slightly transparent and can be backed with any Hobbynox Airbrush Color.

## Neon Colors

Neon Colors are very vivid colors and are transparent so they need to be backed with solid white for optimum neon effect. Note that Neon Colors are not UV stable - they will eventually fade due to exposure of direct sunlight.

## SP Reducer/Cleaner

Use SP Reducer/Cleaner with Hobbynox Airbrush Colors when a thinner paint viscosity is wanted/needed. Generally add 10% per volume to paint. May be added in greater volumes to achieve best viscosity for optimum atomization of the paint (normally up to 25%). After mixing with SP Reducer/Cleaner the mixed paint has a 72 hour pot-life.

## Intercoat-Clear

A water-based polyurethane clear which can be used as a protective inter-coat and balancing clear (use max one layer, one time) over Hobbynox Airbrush Colors or directly mixed with the paint (10%) for improved spray performance, improved coating durability and urethane-like performance with automotive airbrushing on hard surfaces.

Mix 10% Hobbynox Intercoat-Clear with Hobbynox Airbrush Colors. Leveling/smoothness and airbrush flow on non-porous surfaces is greatly increased. Airbrush Colors dry hard and durable quickly when mixed with Intercoat-Clear.

Intercoat-Clear also serves as an adhesion promoter (for painting hard surfaces) when mixed with Hobbynox Airbrush Colors.

Use the Intercoat-Clear mixed Airbrush Colors within 6 hours. Keep colors capped airtight after use.