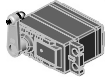


**STEP 2: ASSEMBLE THE AMP MONSTER TRUCK**

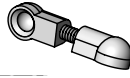
Thank you for purchasing the AMP Monster Truck Kit. The kit includes 6 bags marked A-F. Each bag contains secondary bags labelled with assembly step numbers. The kit contains the correct

number of parts to build the AMP Monster Truck. Open the "Tools" bag first. Then open the part bags, one at a time. Follow the assembly steps in order!

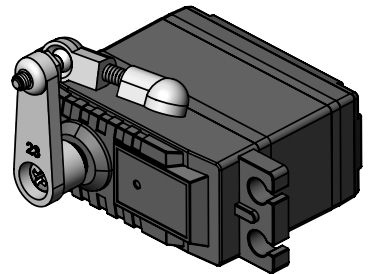
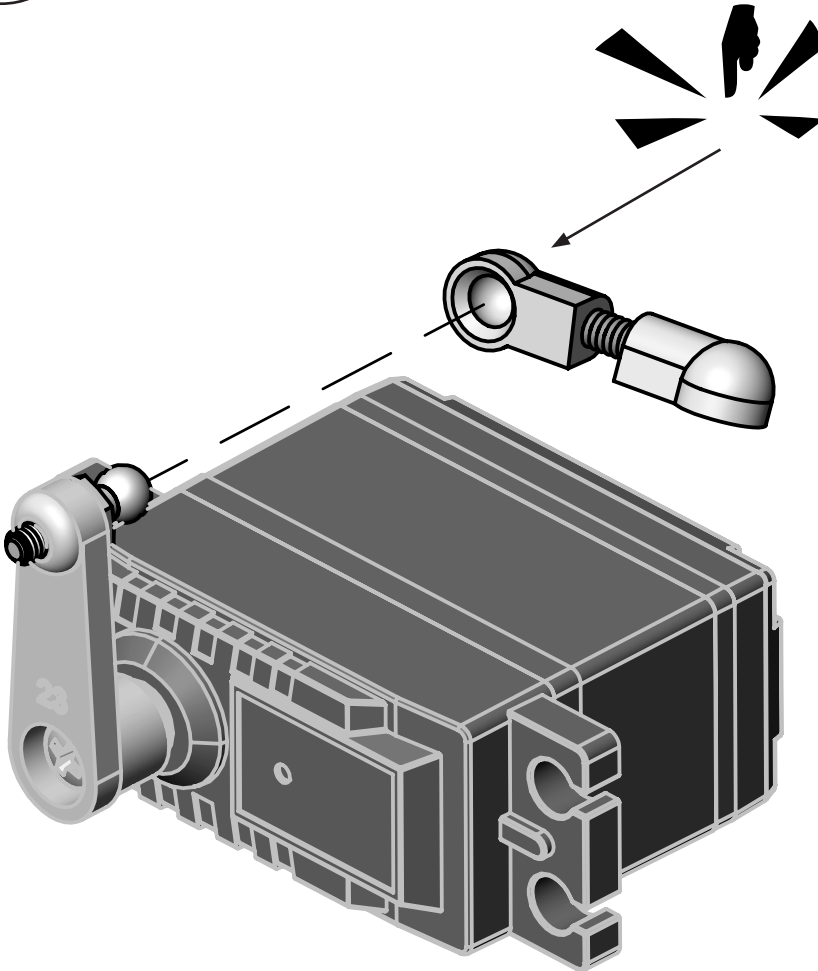
a1



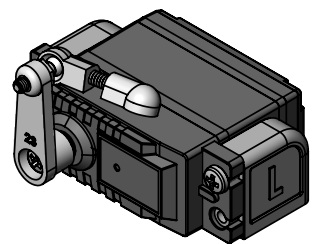
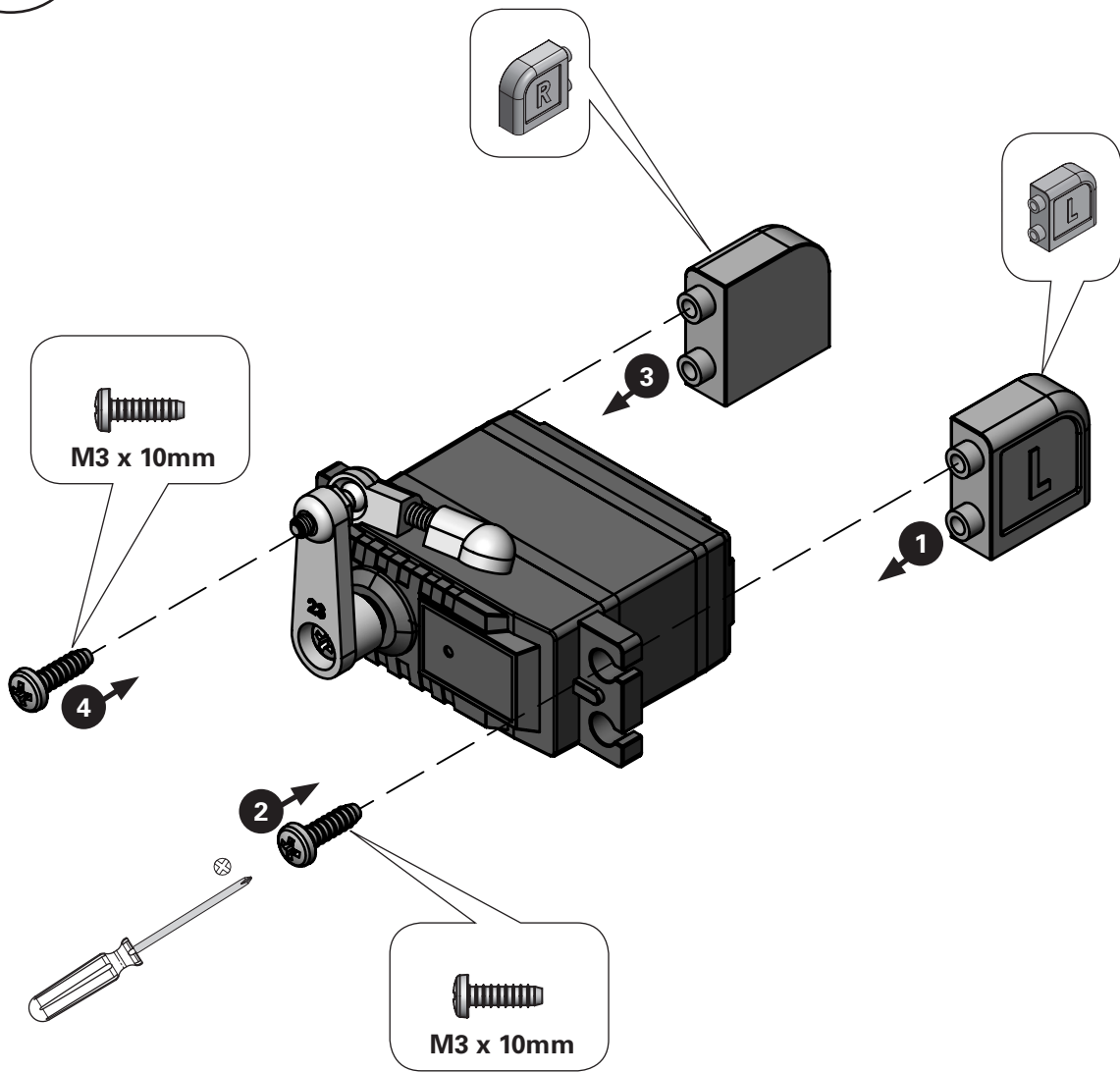
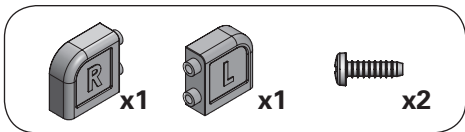
x1



x1

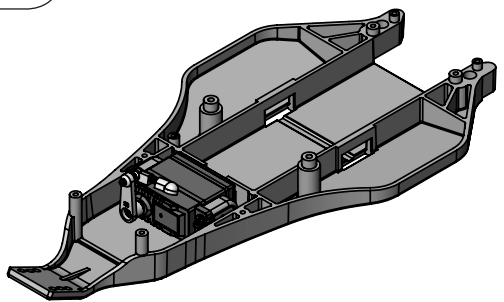
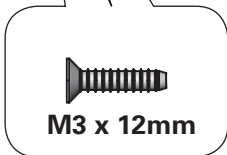
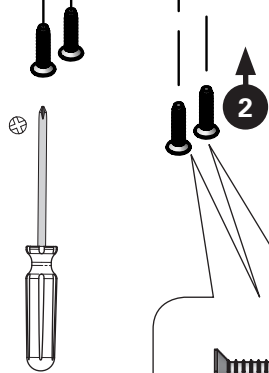
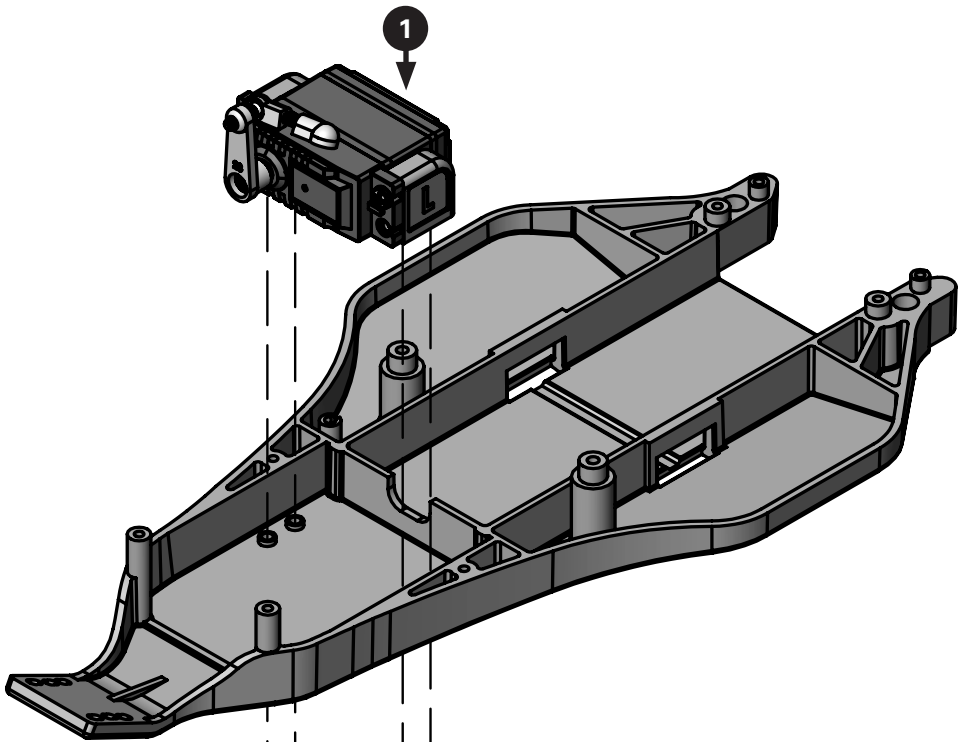
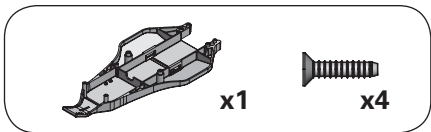


a2

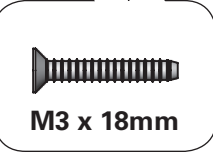
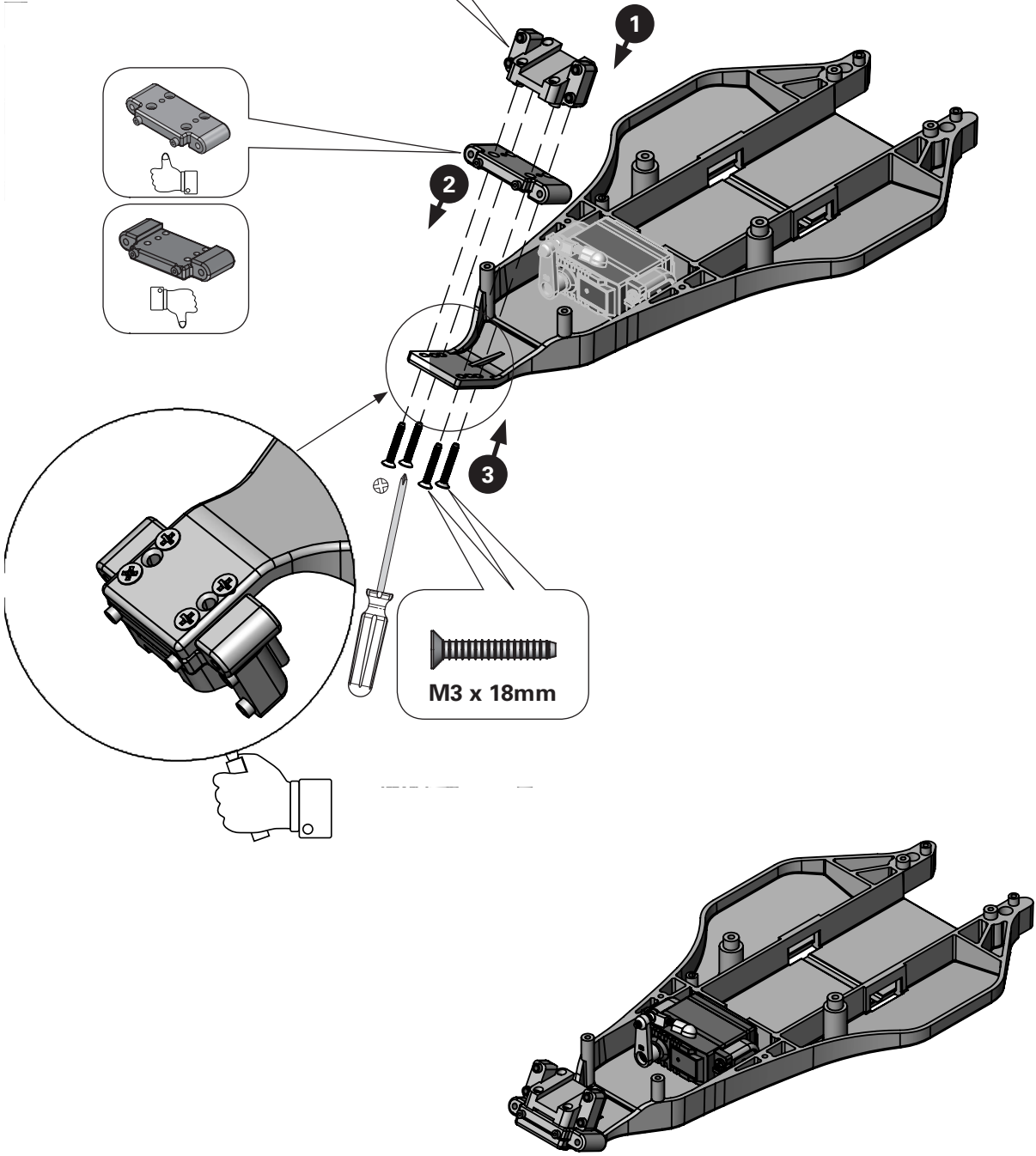
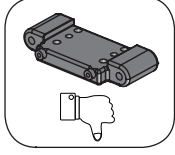
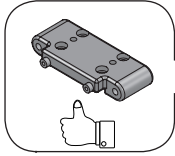
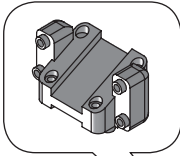
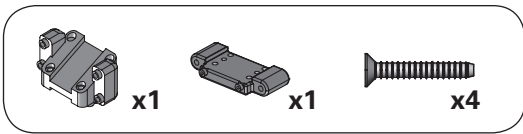




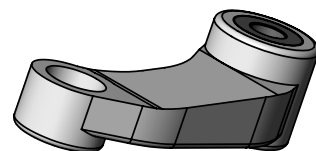
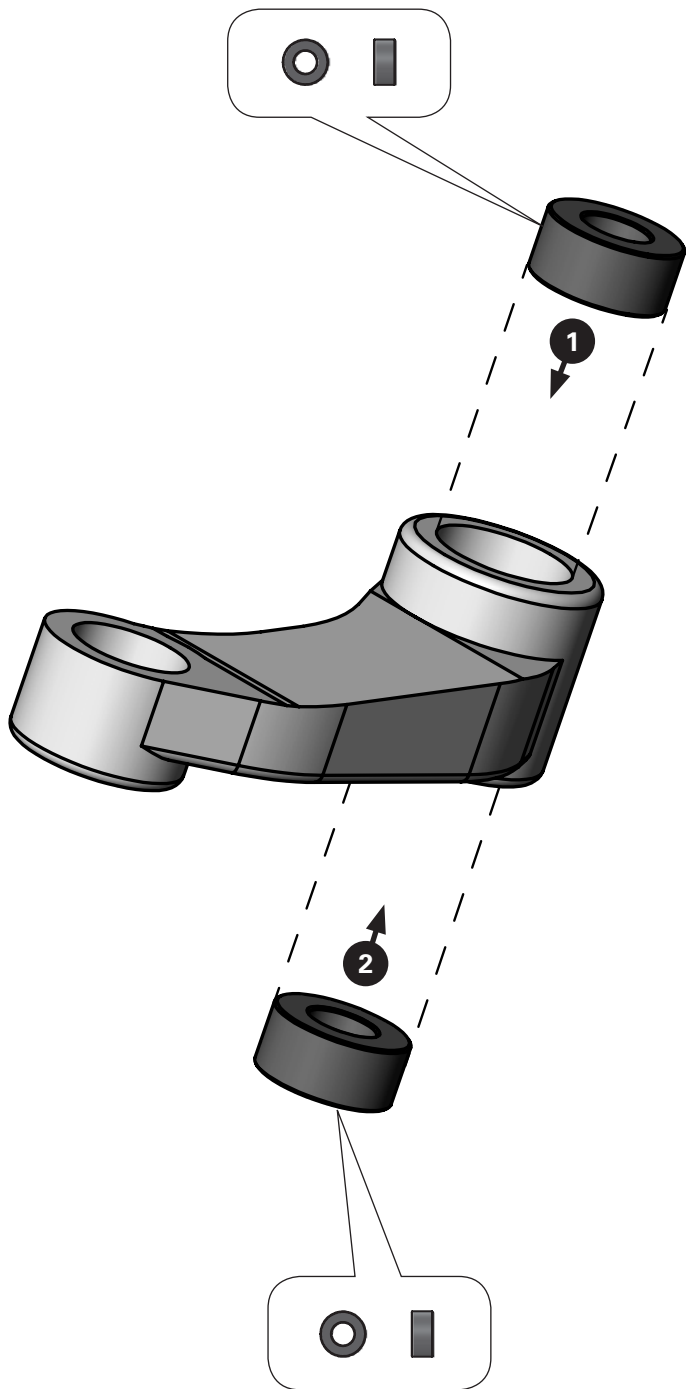
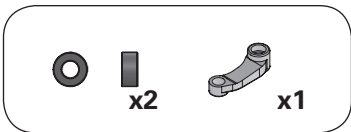
a3



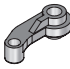


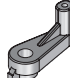

a4

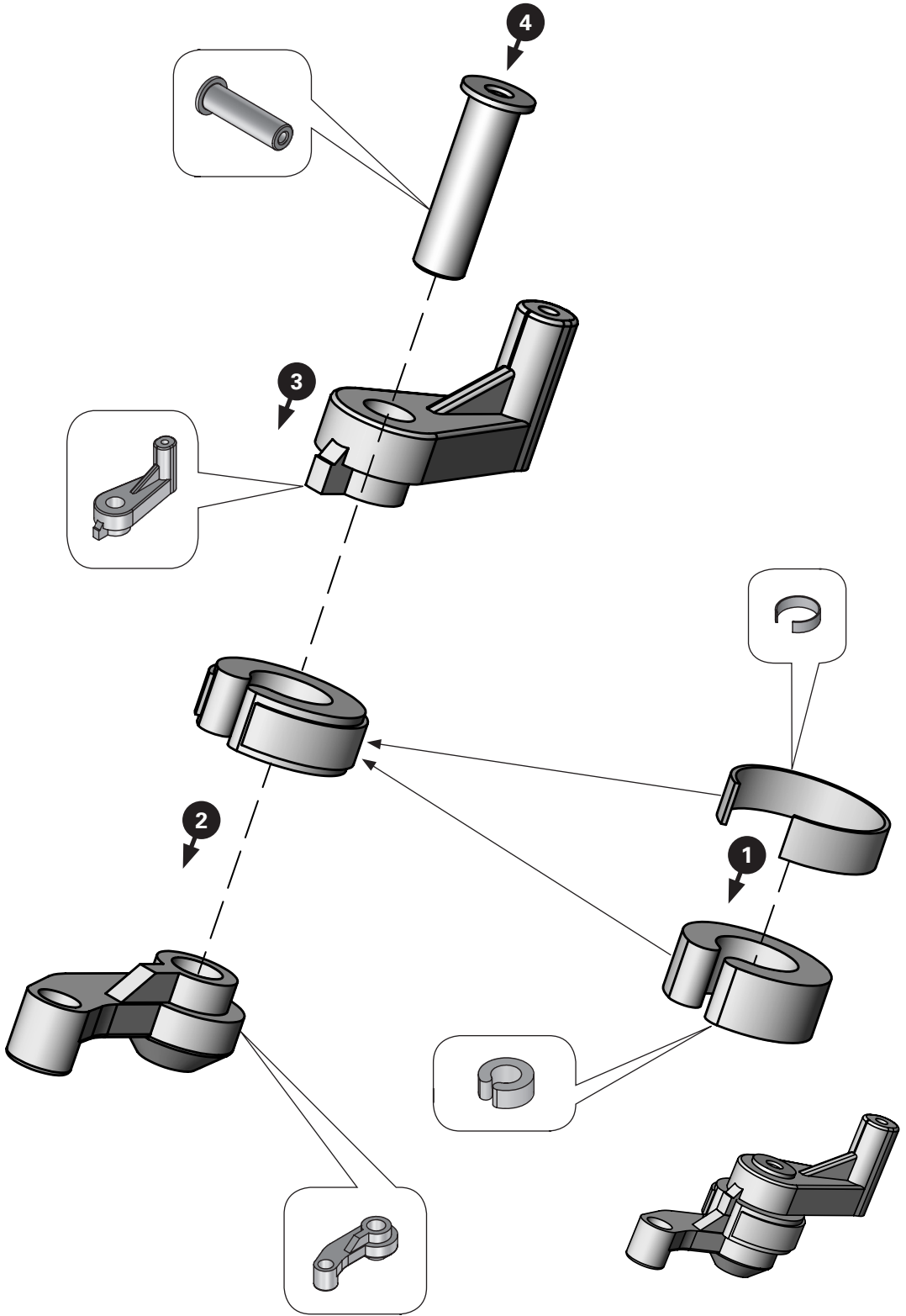


a5

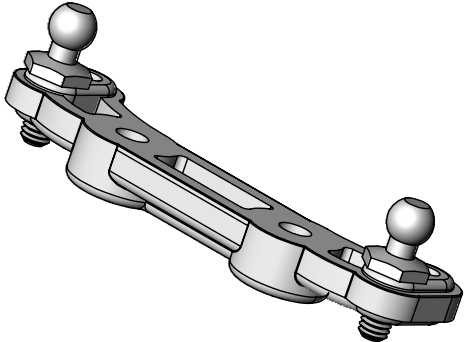
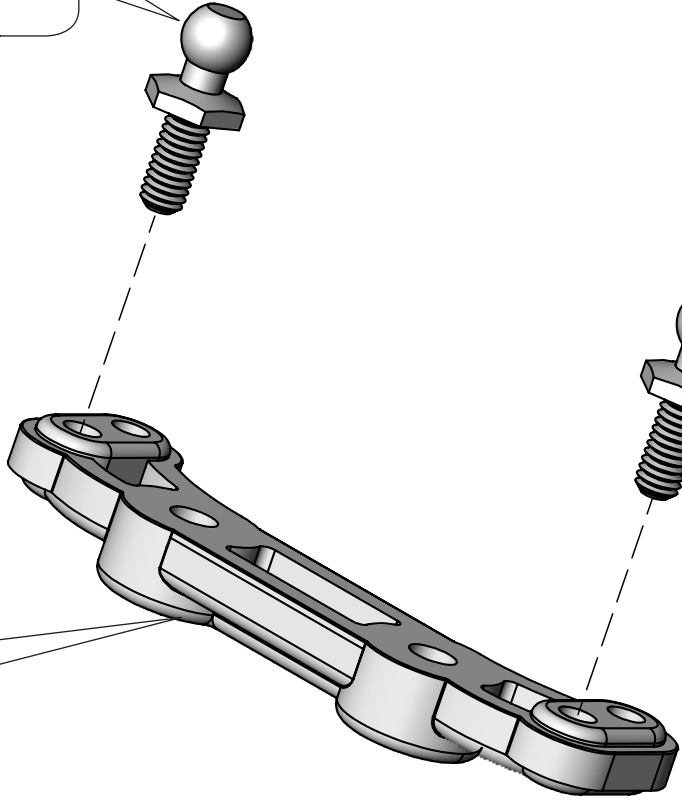
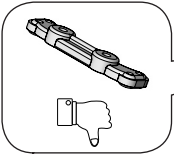
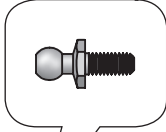
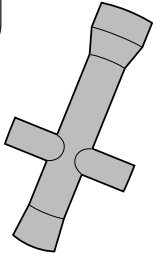
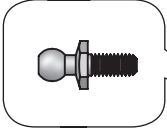
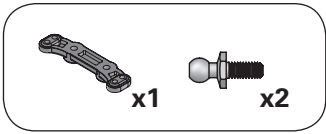


a6

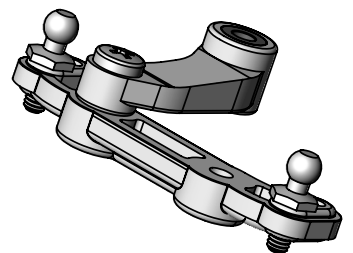
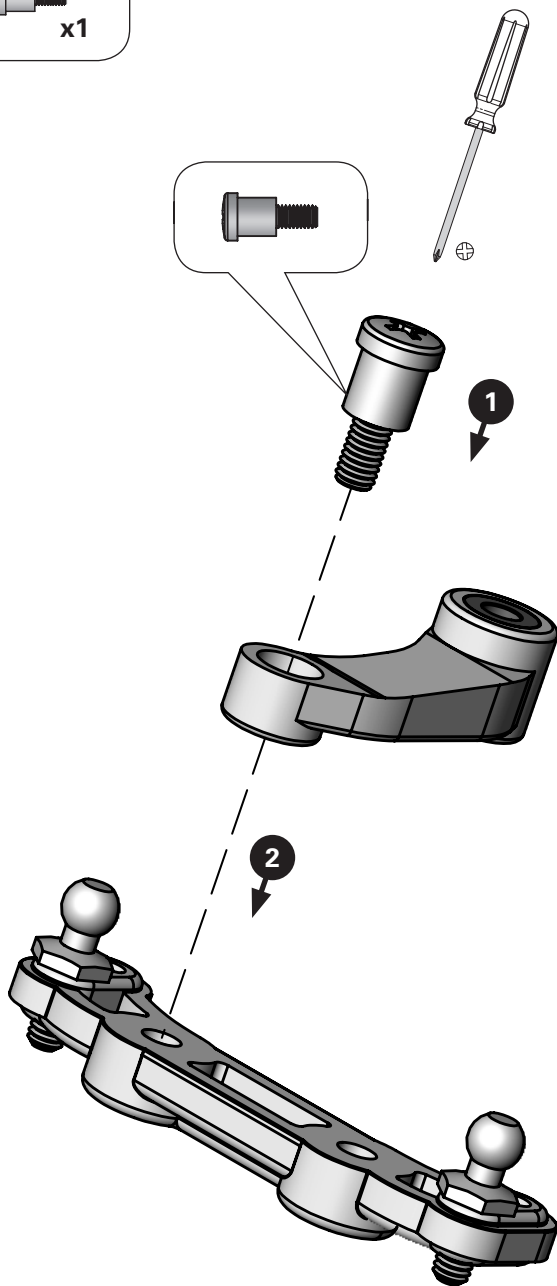
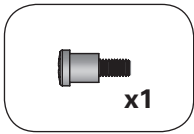
-  x1
-  x1
-  x1
-  x1
-  x1



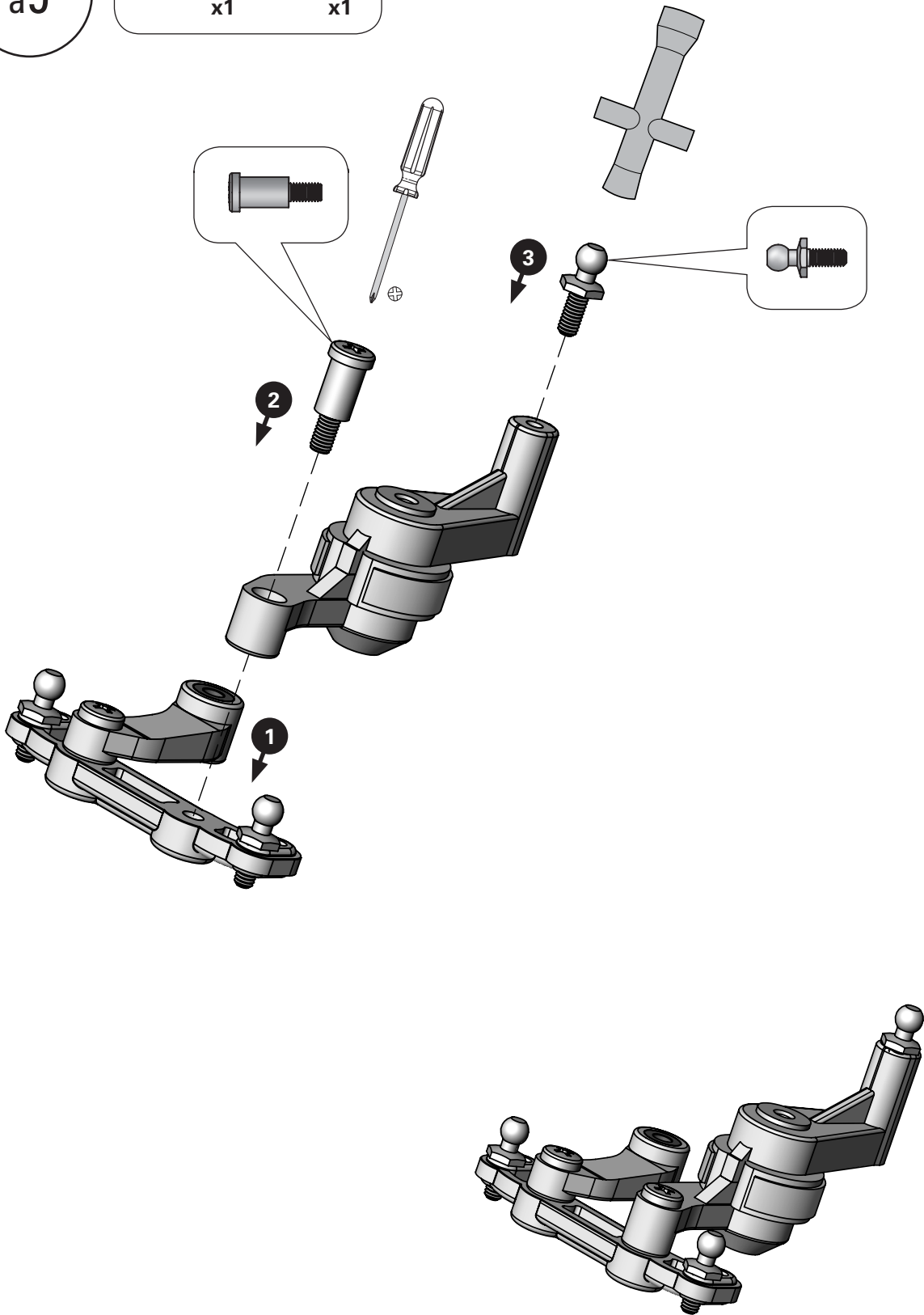
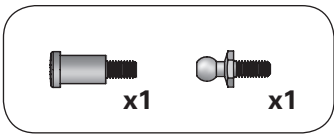
a7



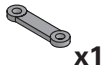
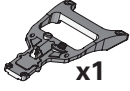
a8



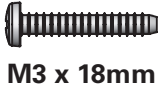
a9



a10



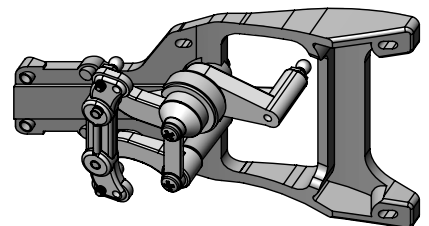
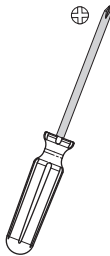
3



1

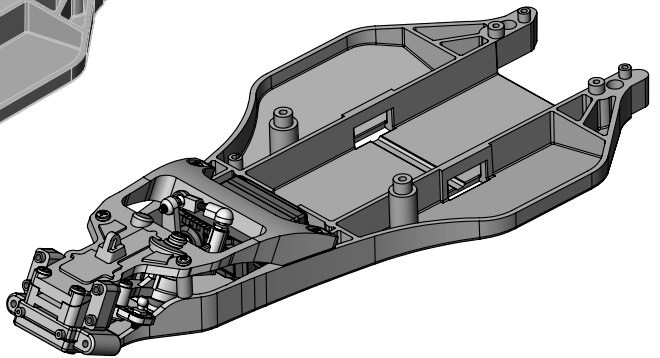
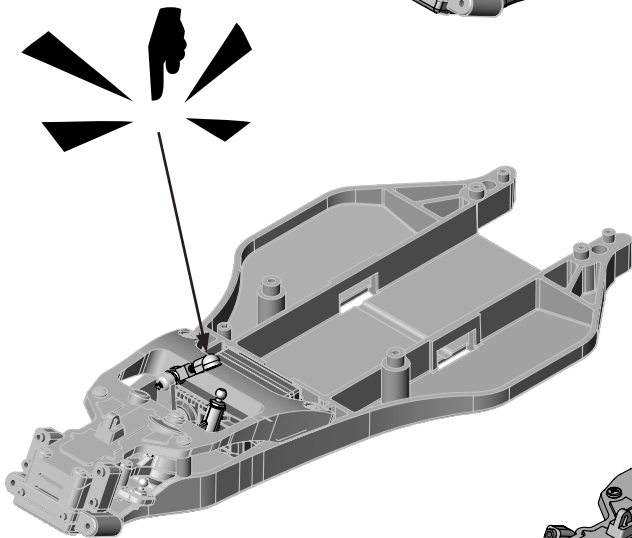
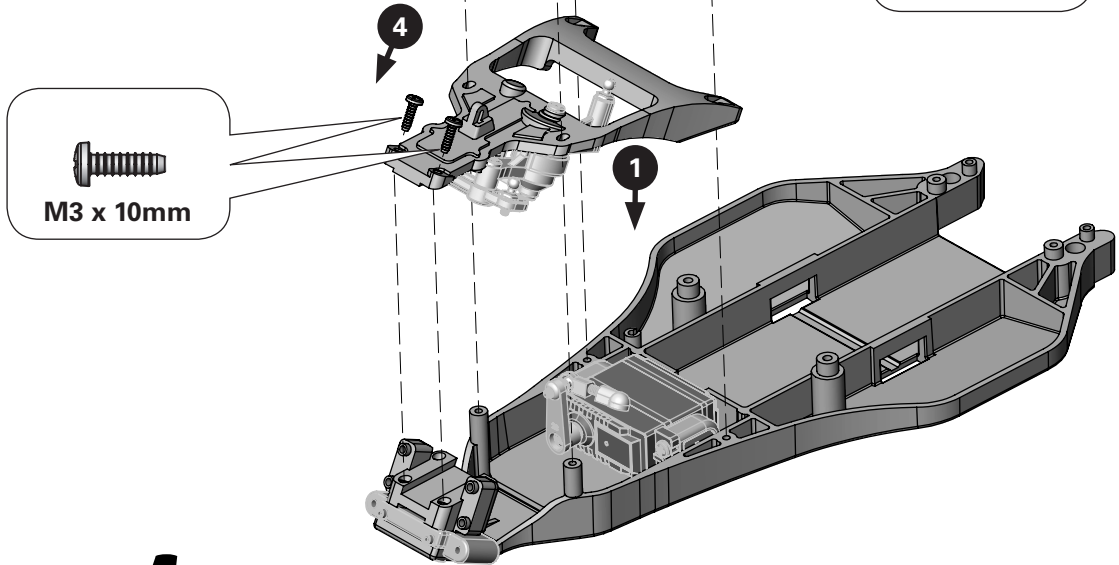
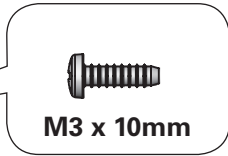
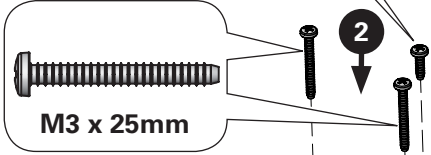
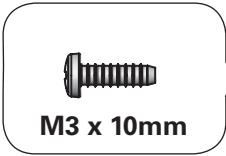
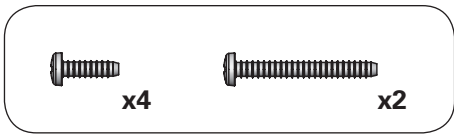
4

2

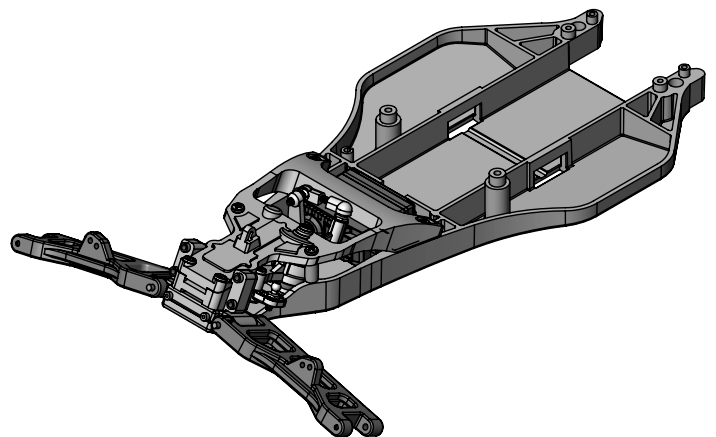
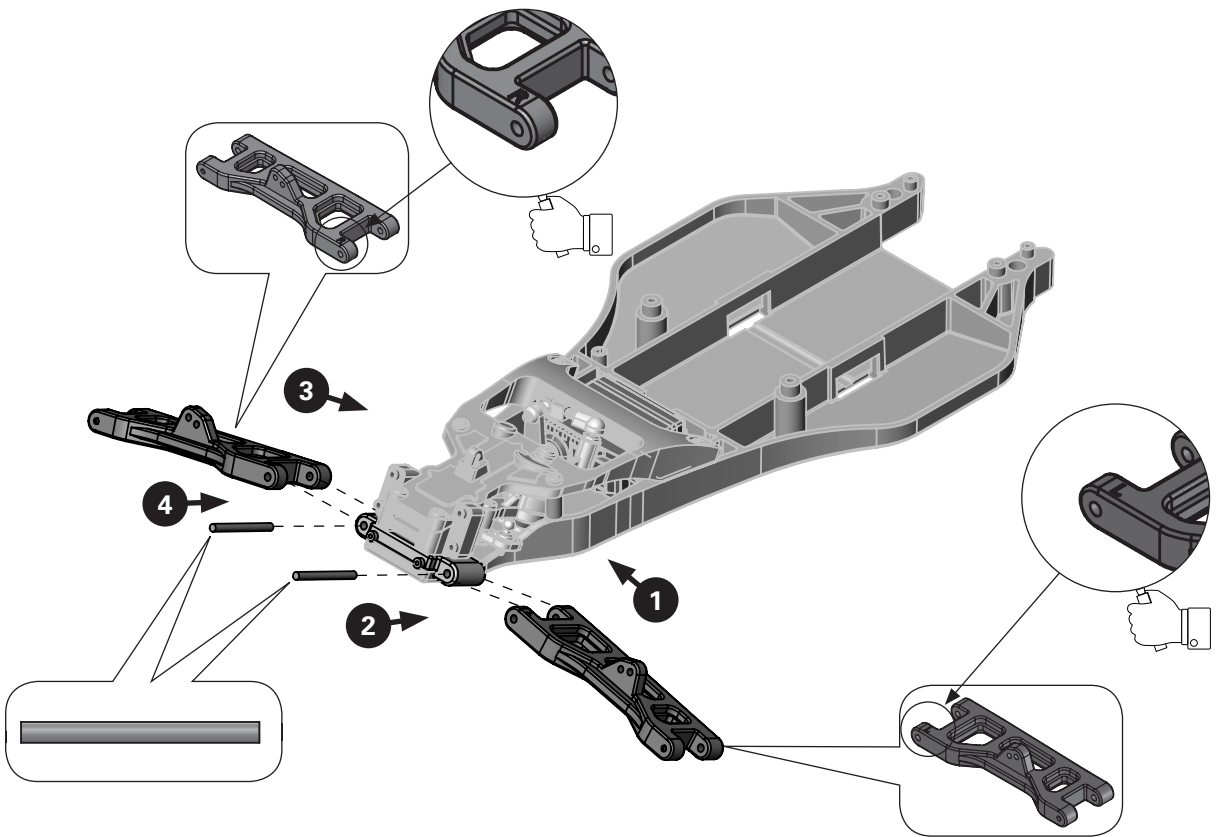
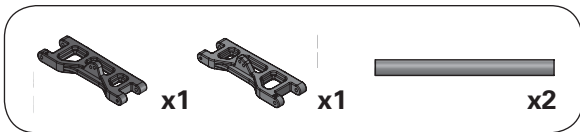




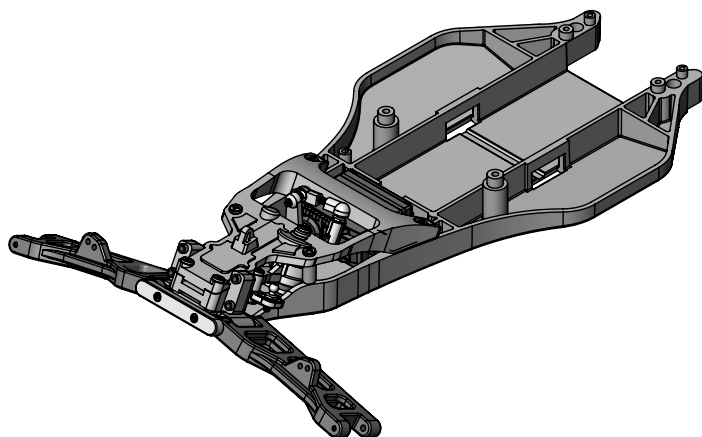
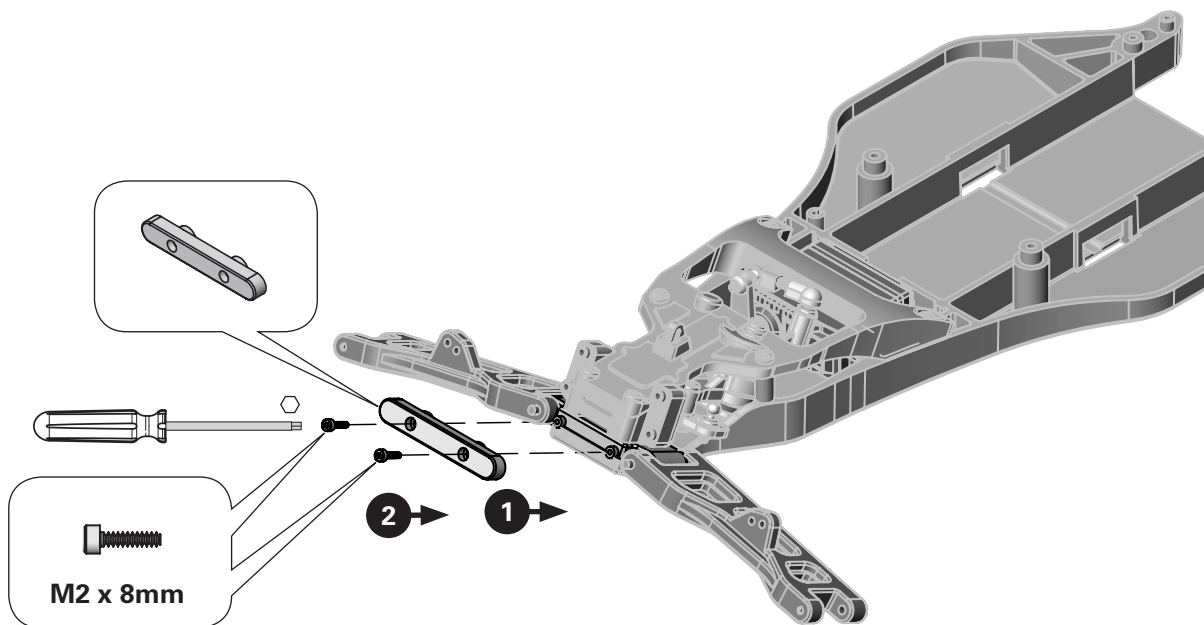
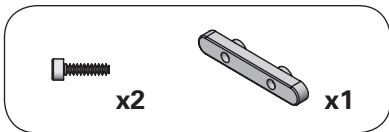
a11



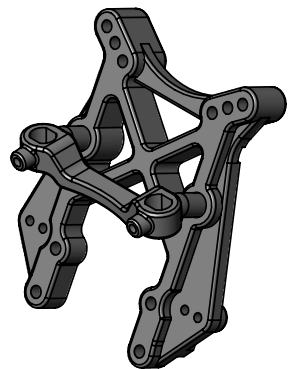
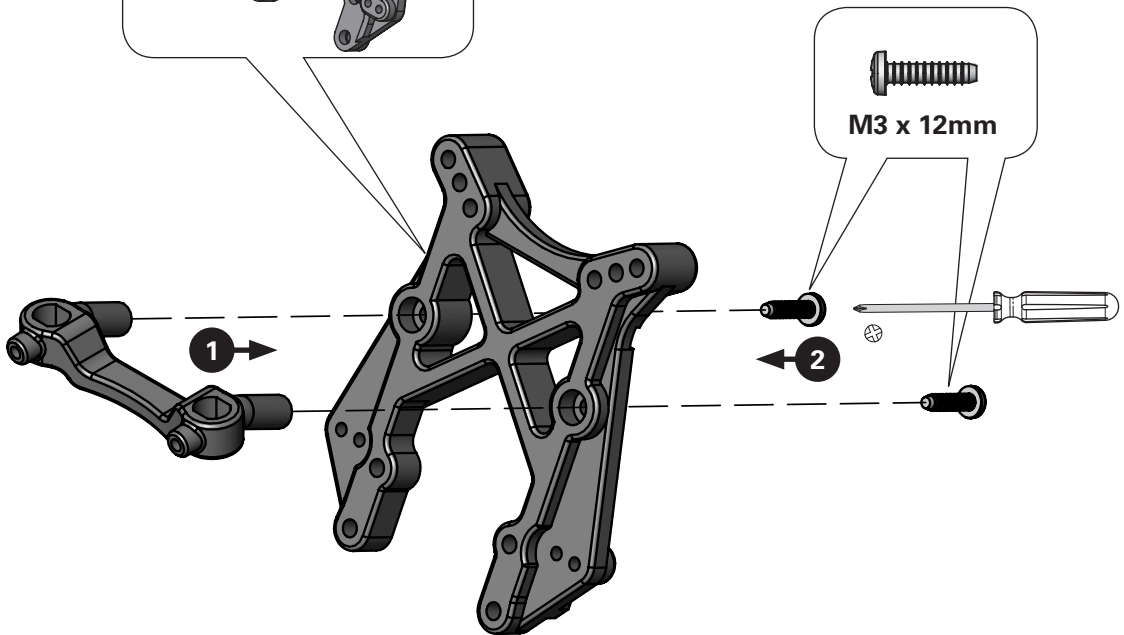
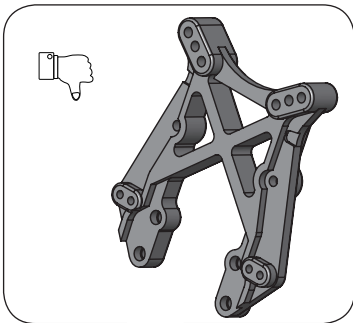
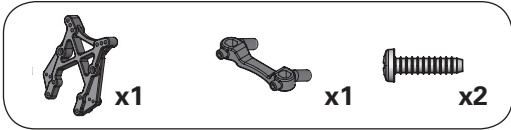
b1



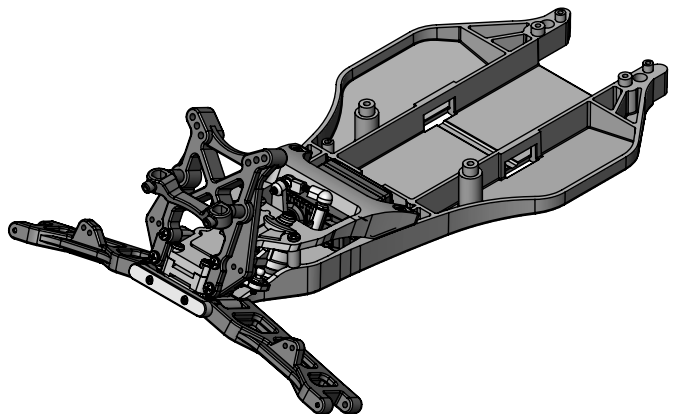
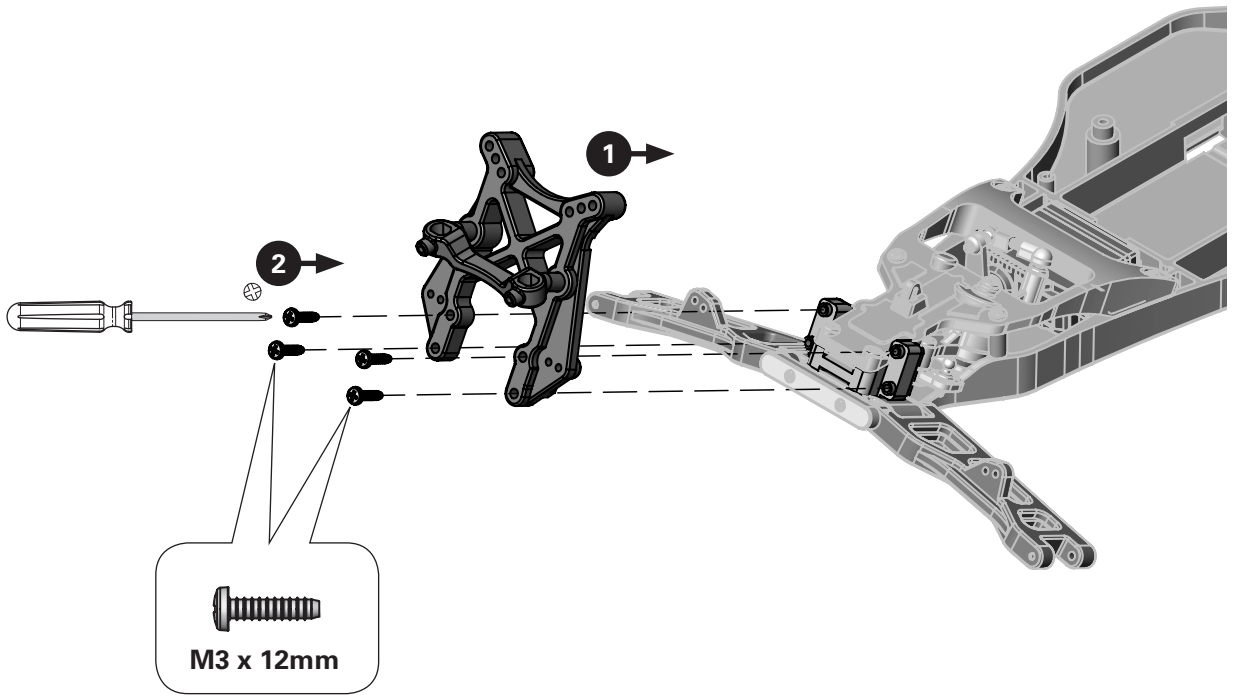
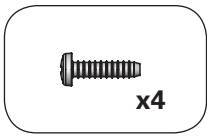
b2



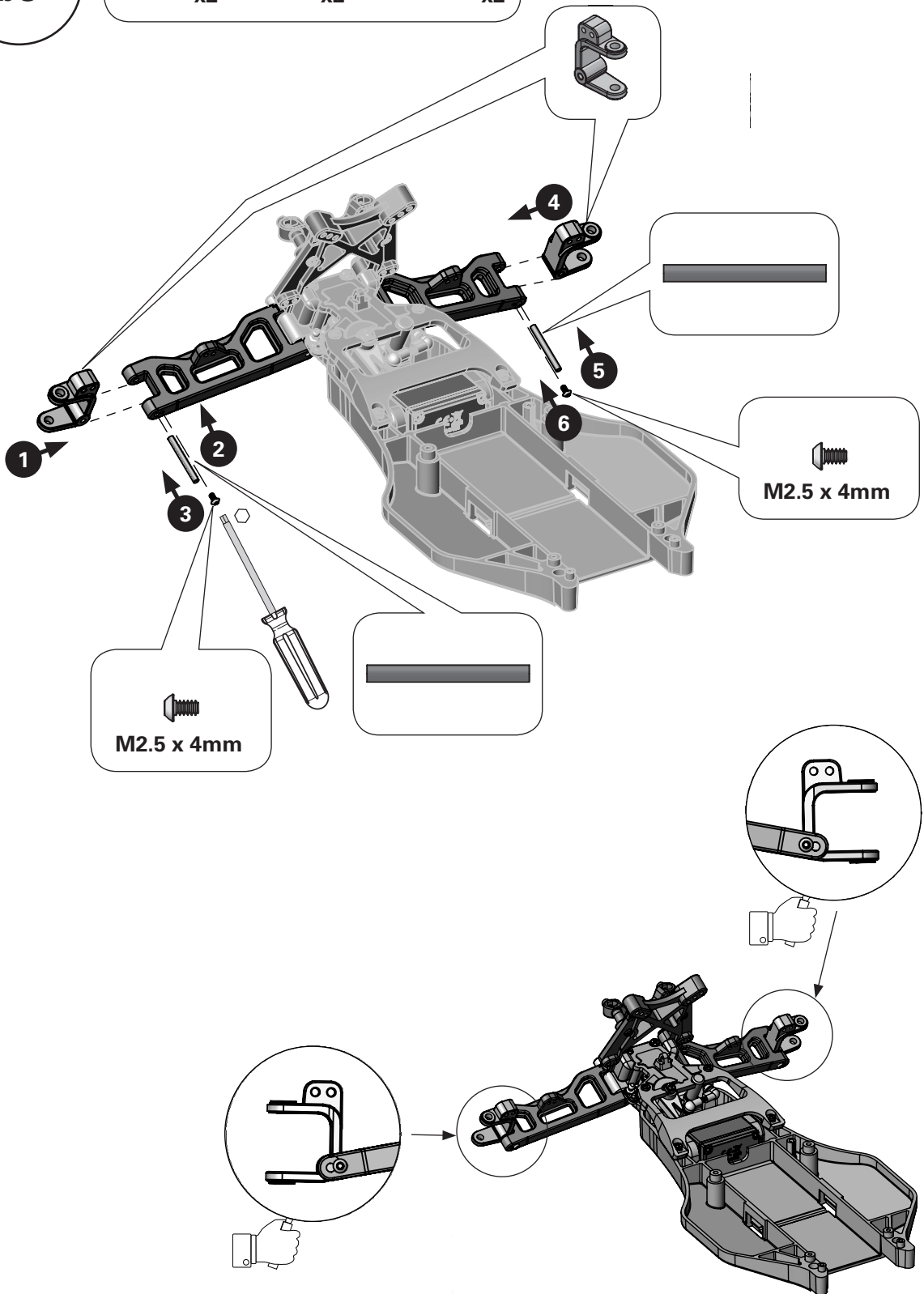
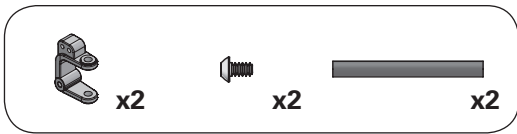
b3



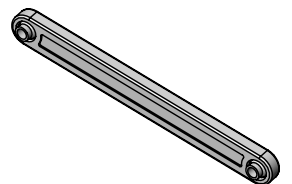
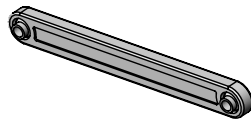
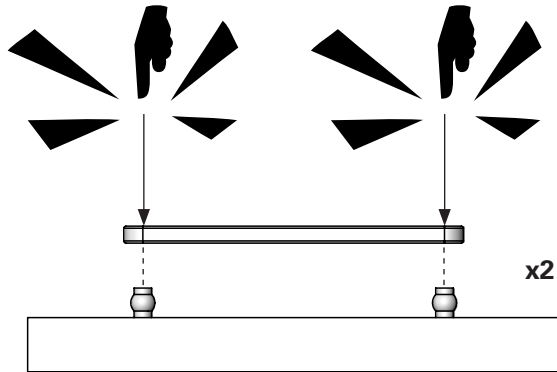
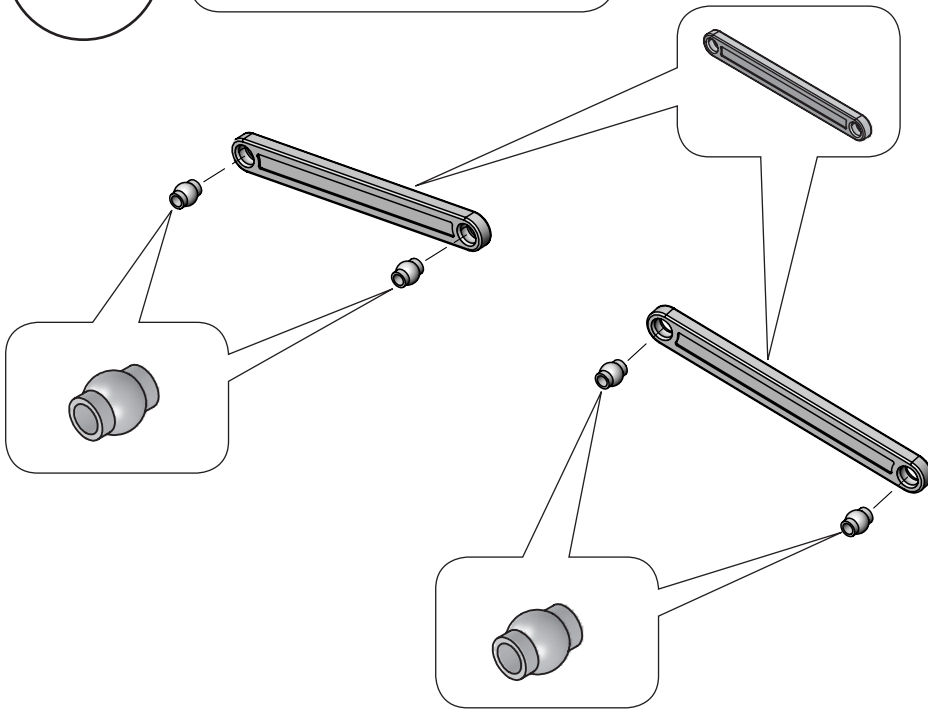
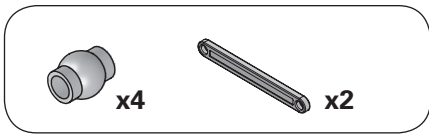
b4



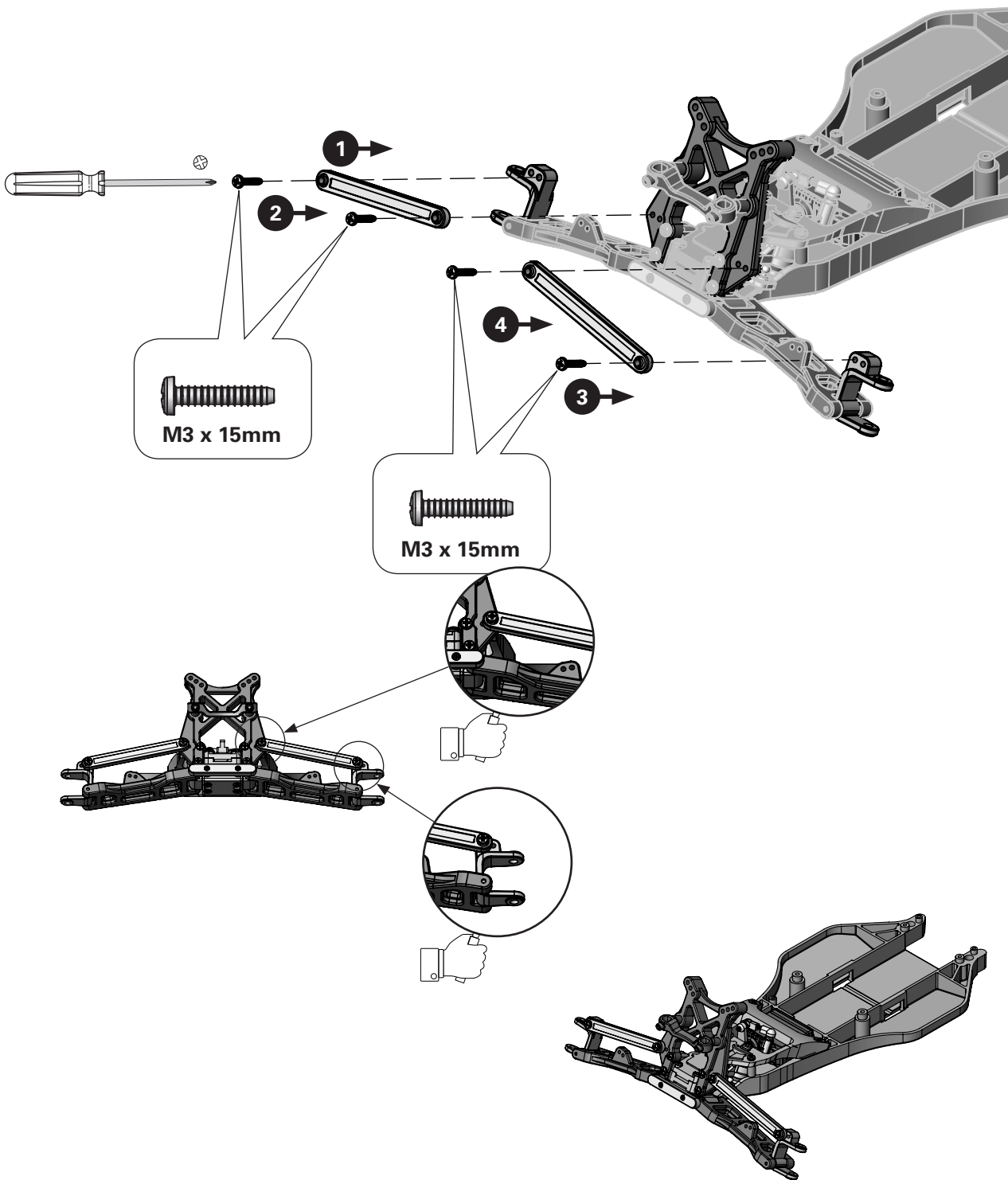
b5



b6

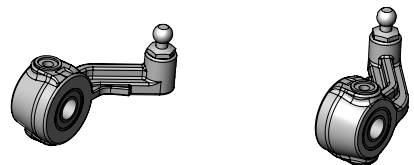
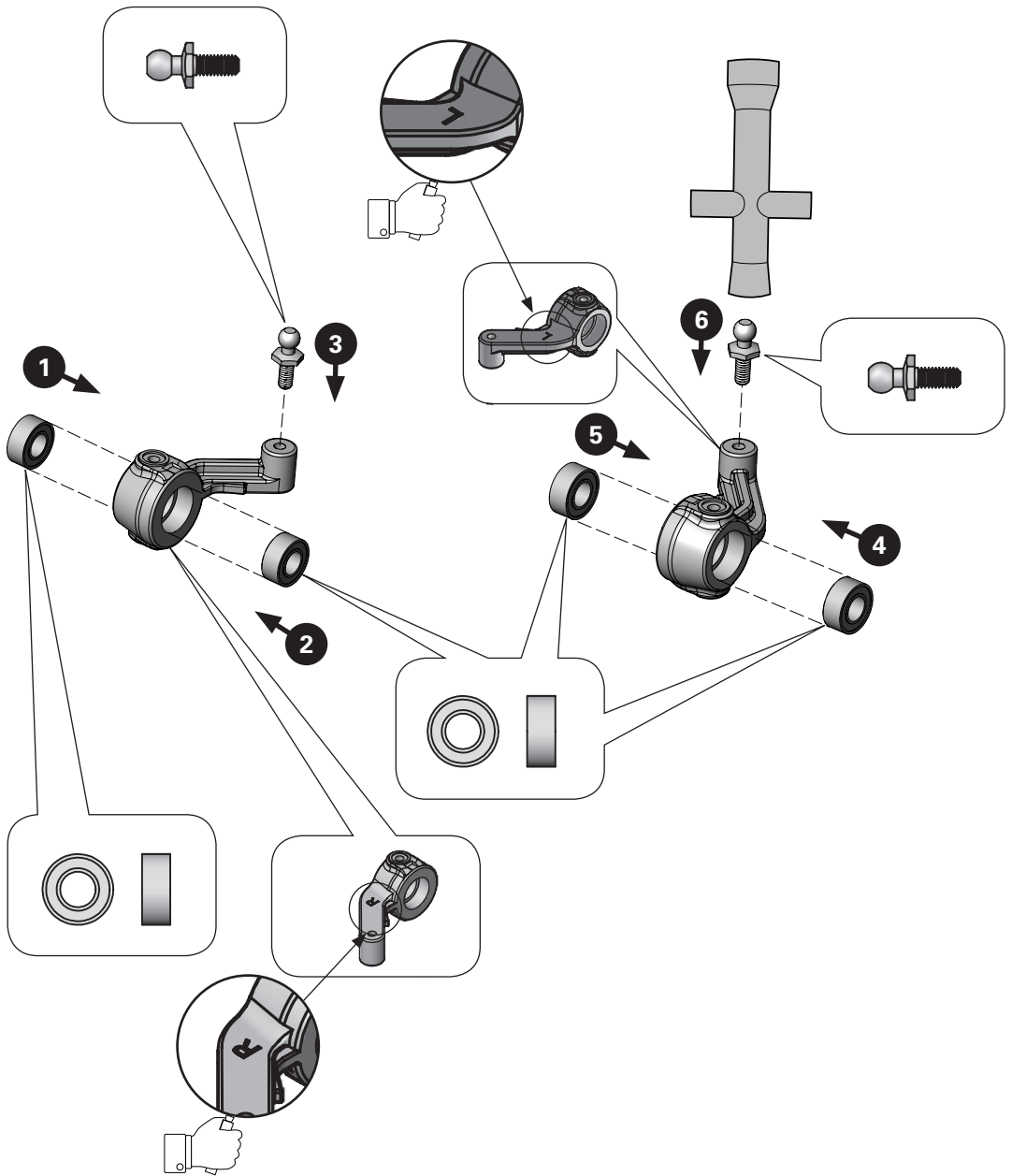
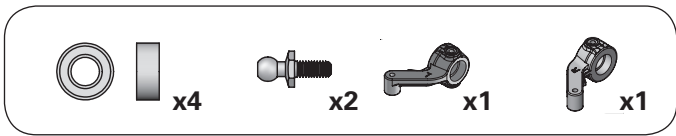


b7

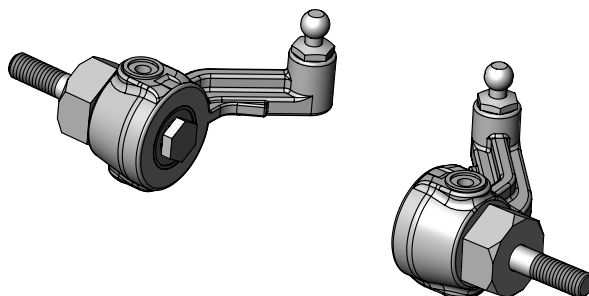
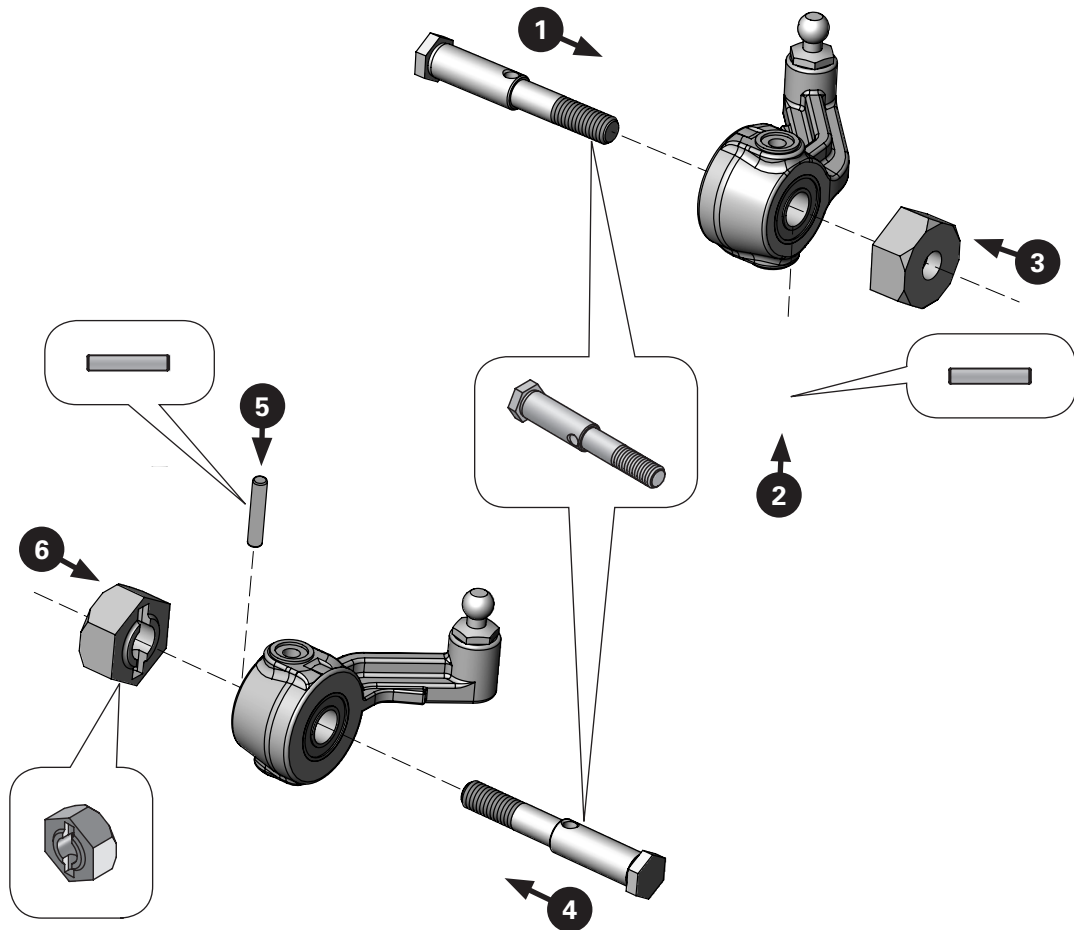
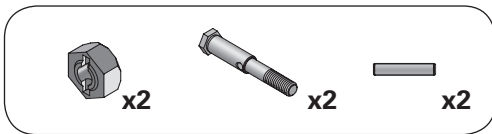




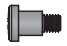
b8

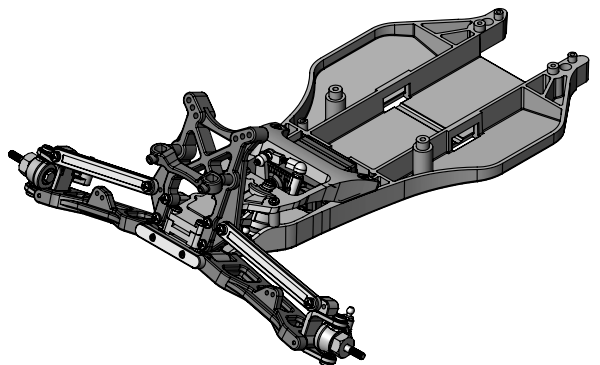
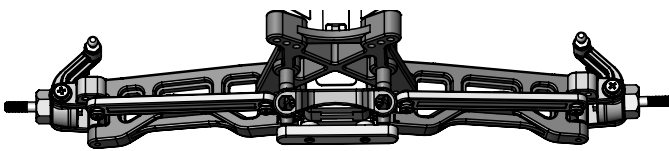
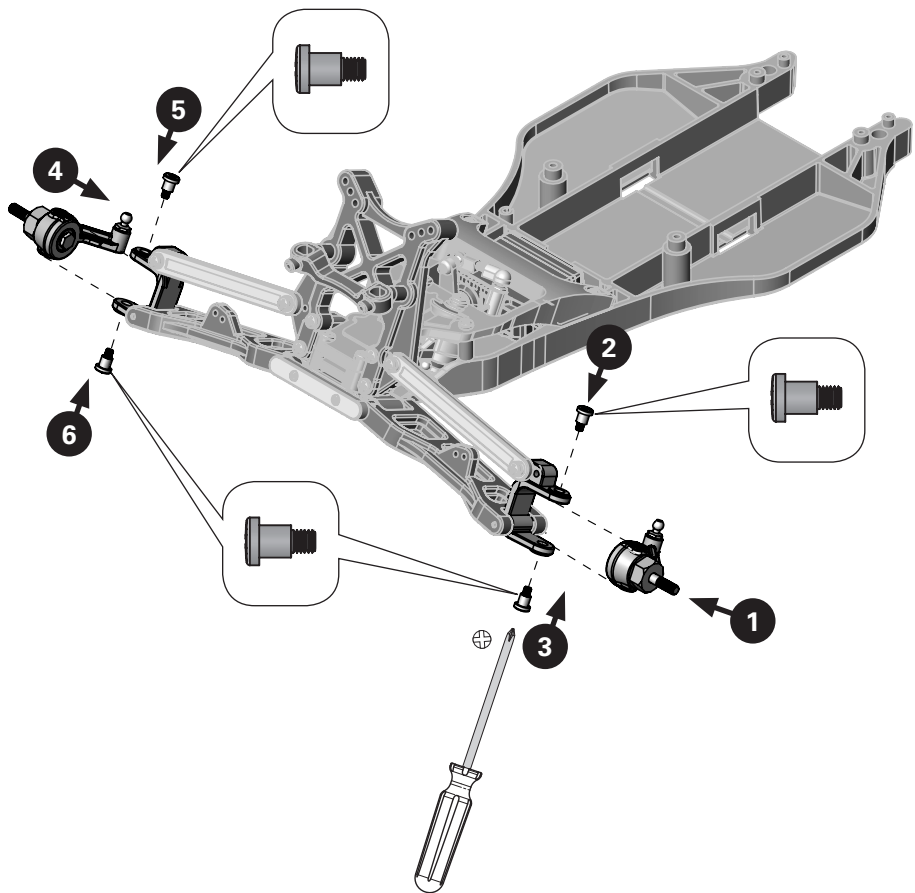


b9

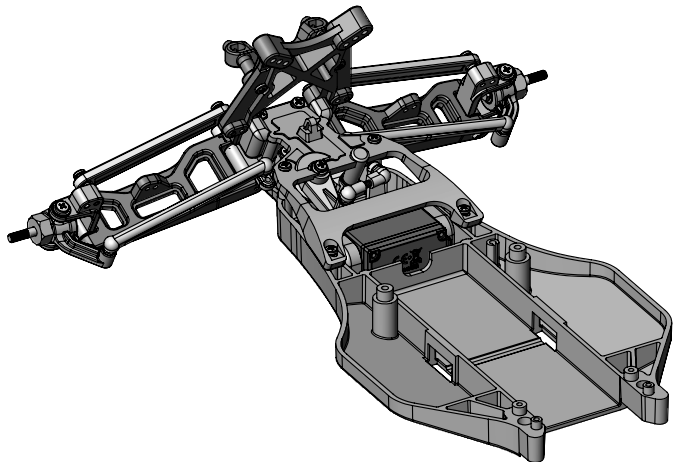
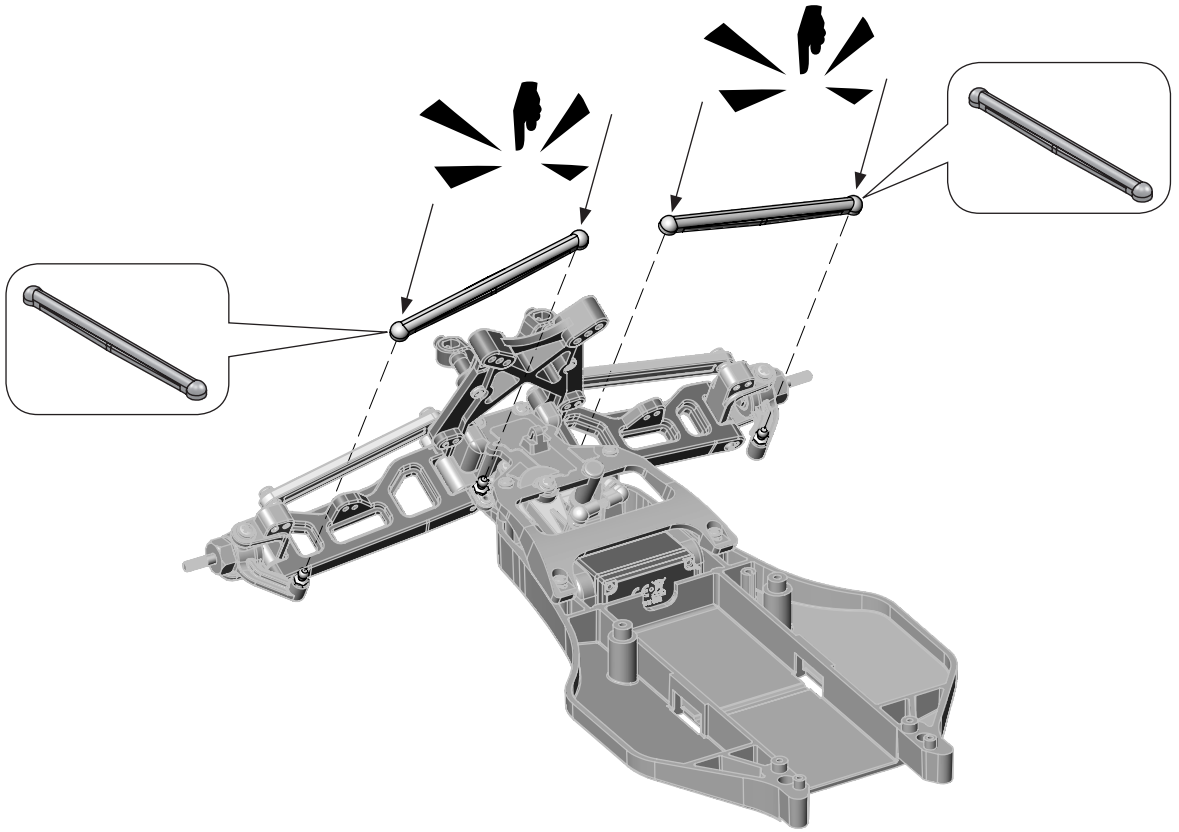
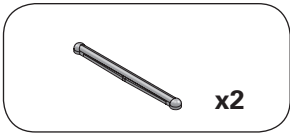


b10

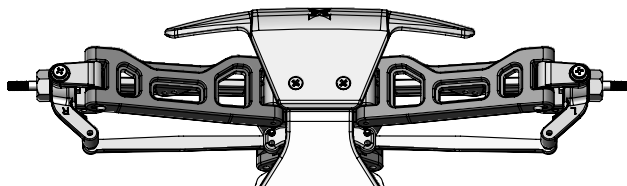
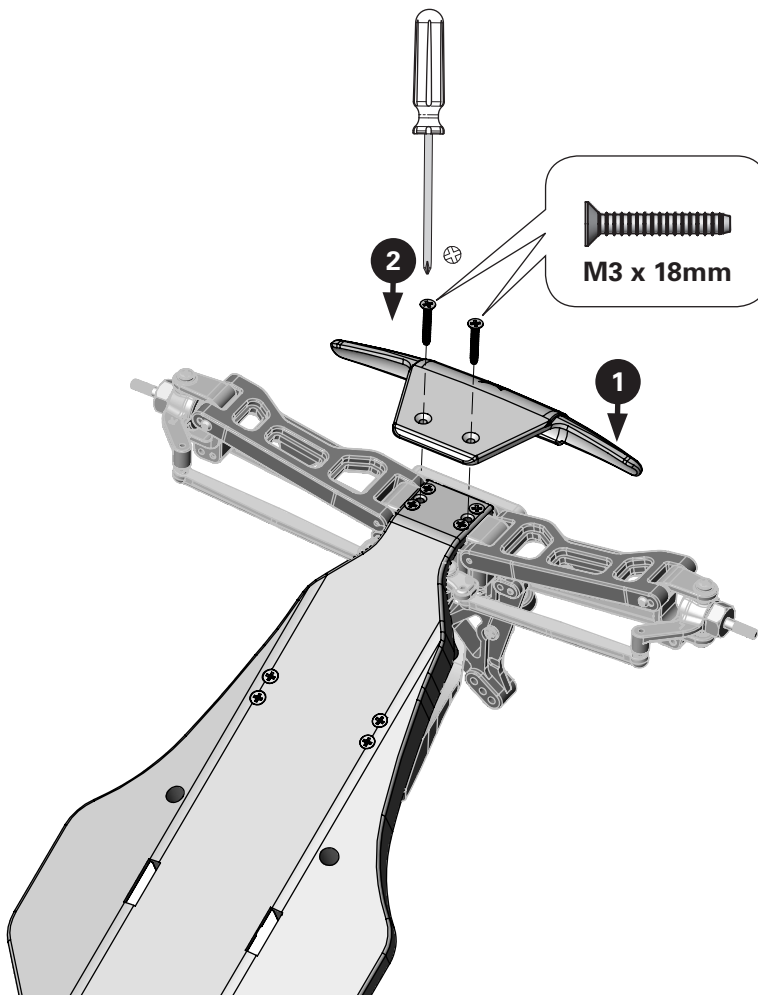
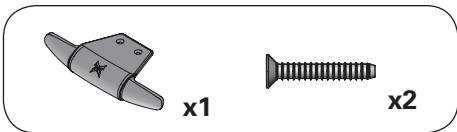
 x4



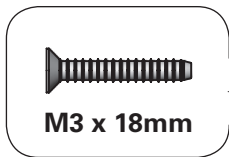
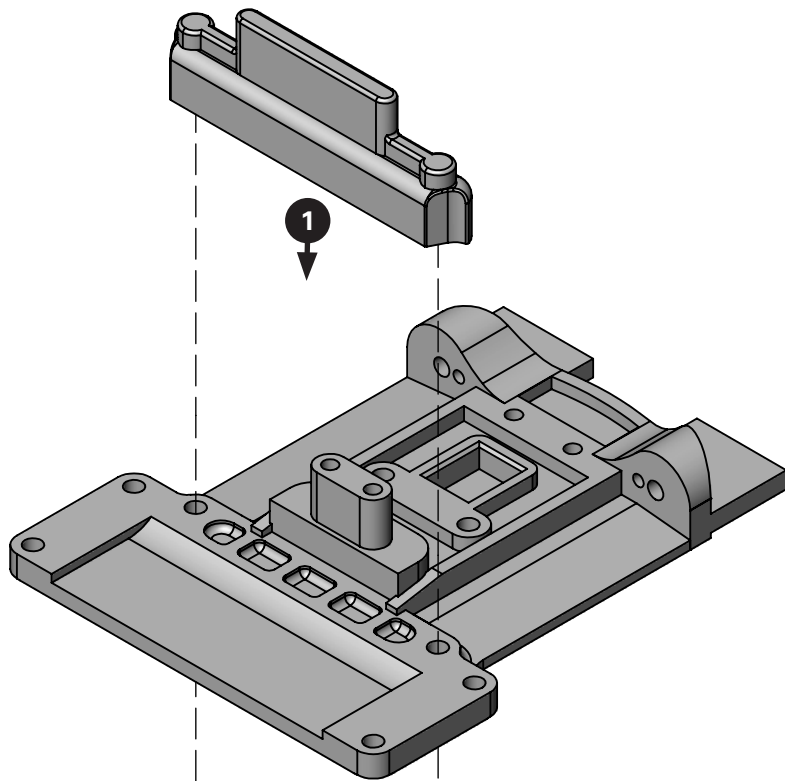
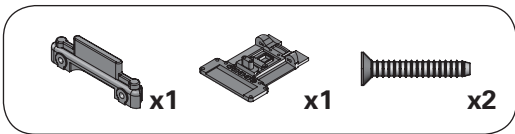
b11



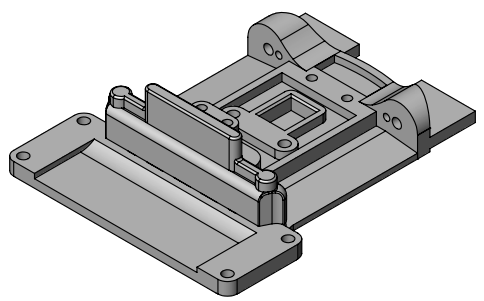
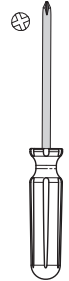
b12



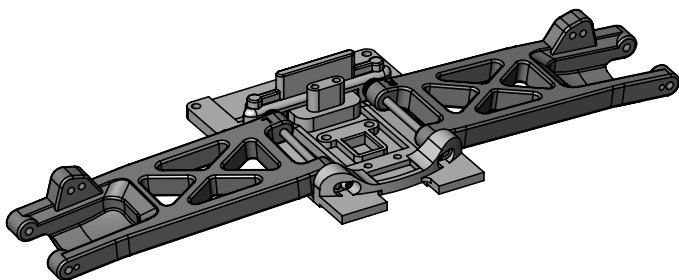
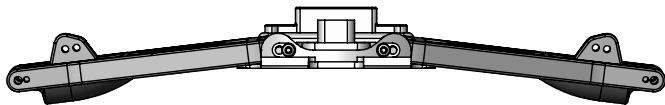
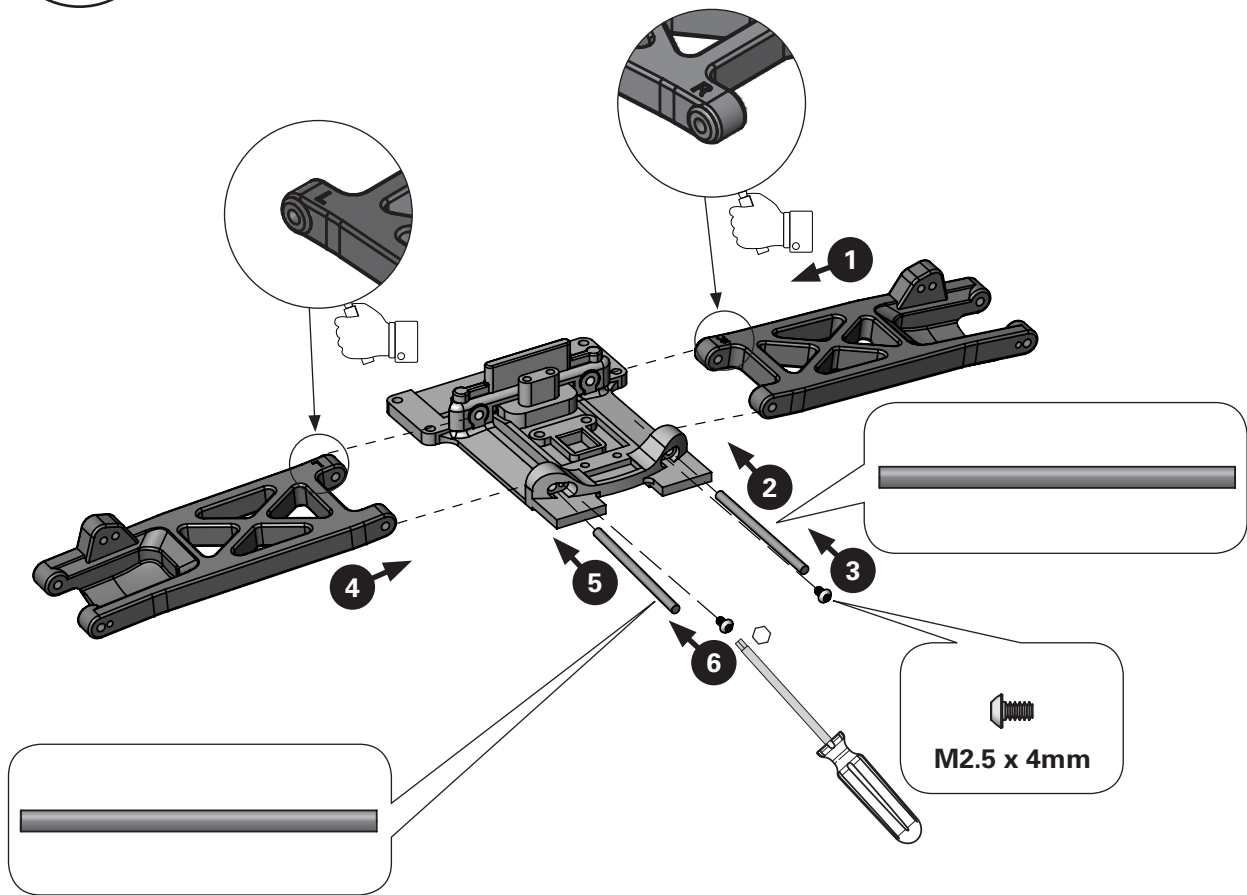
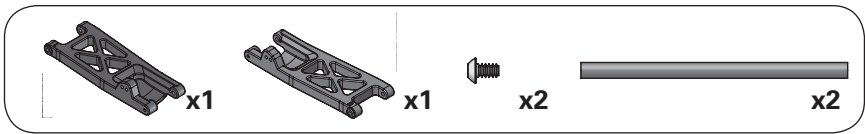
c1



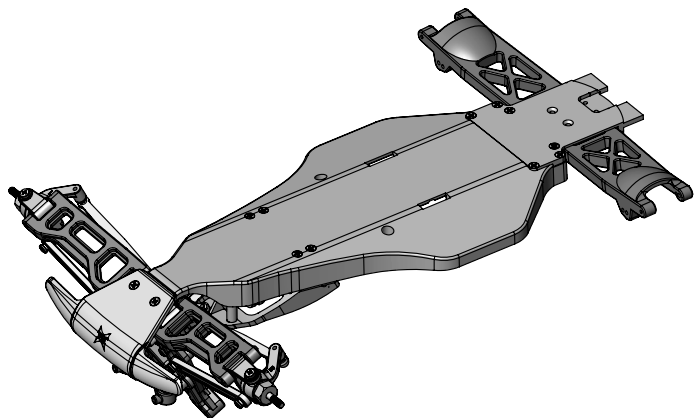
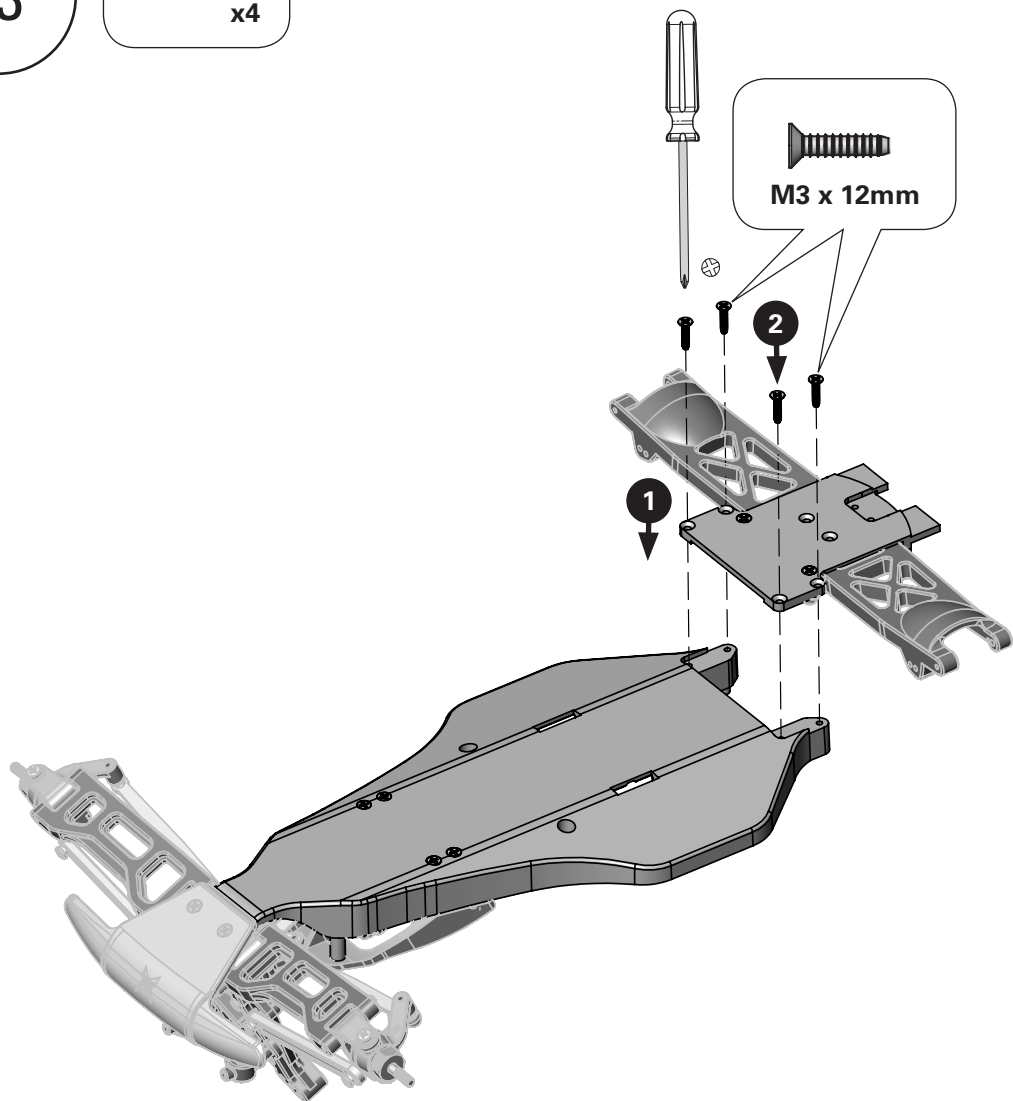
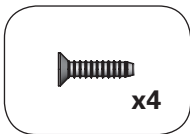
2



c2

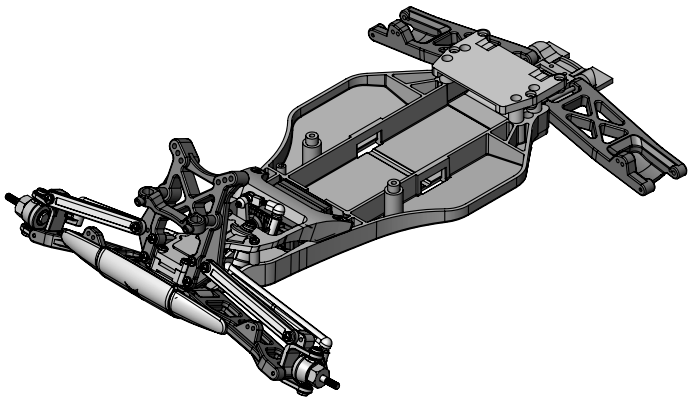
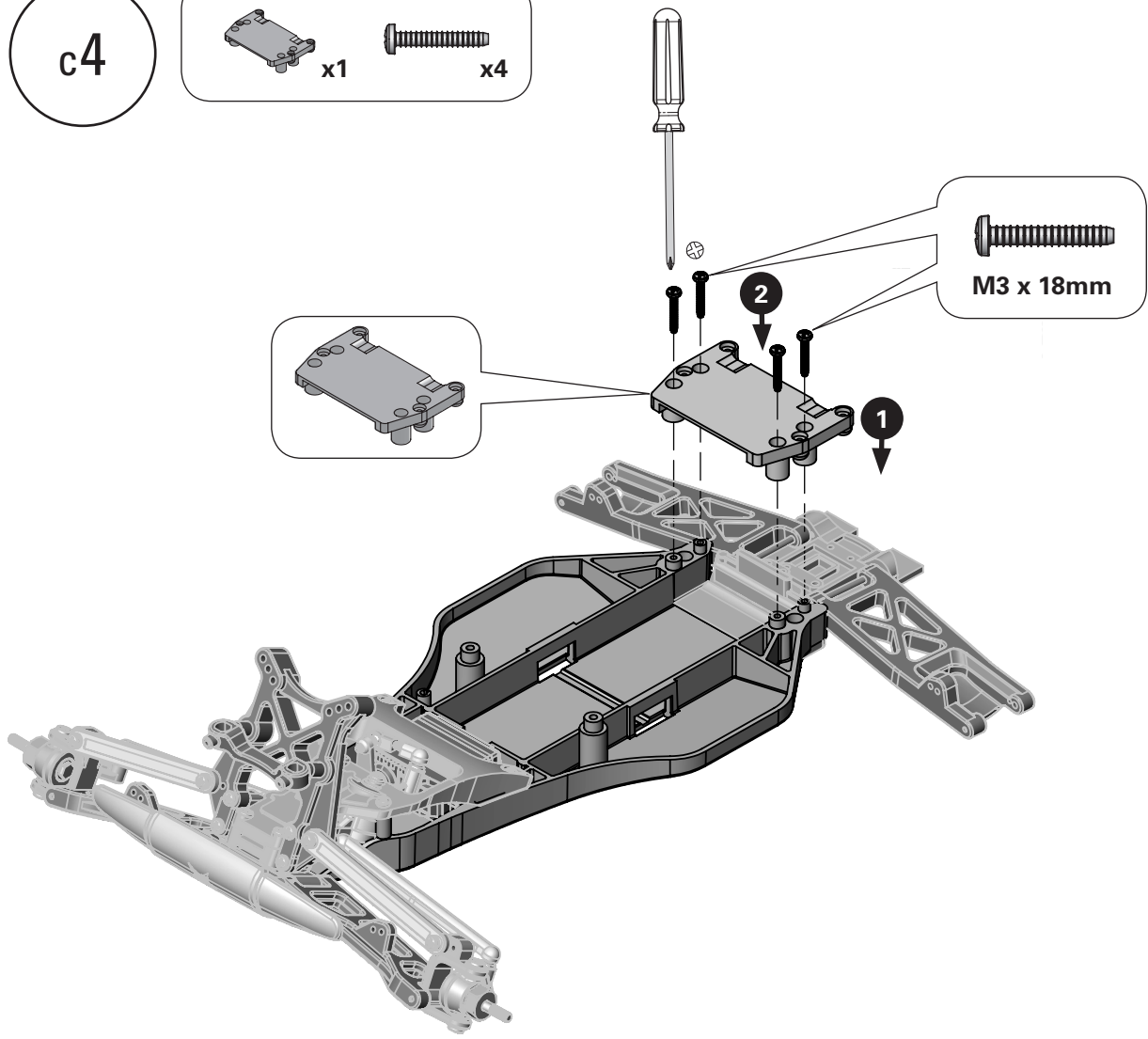
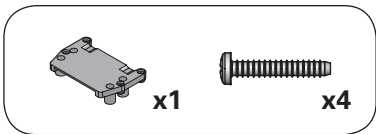


c3

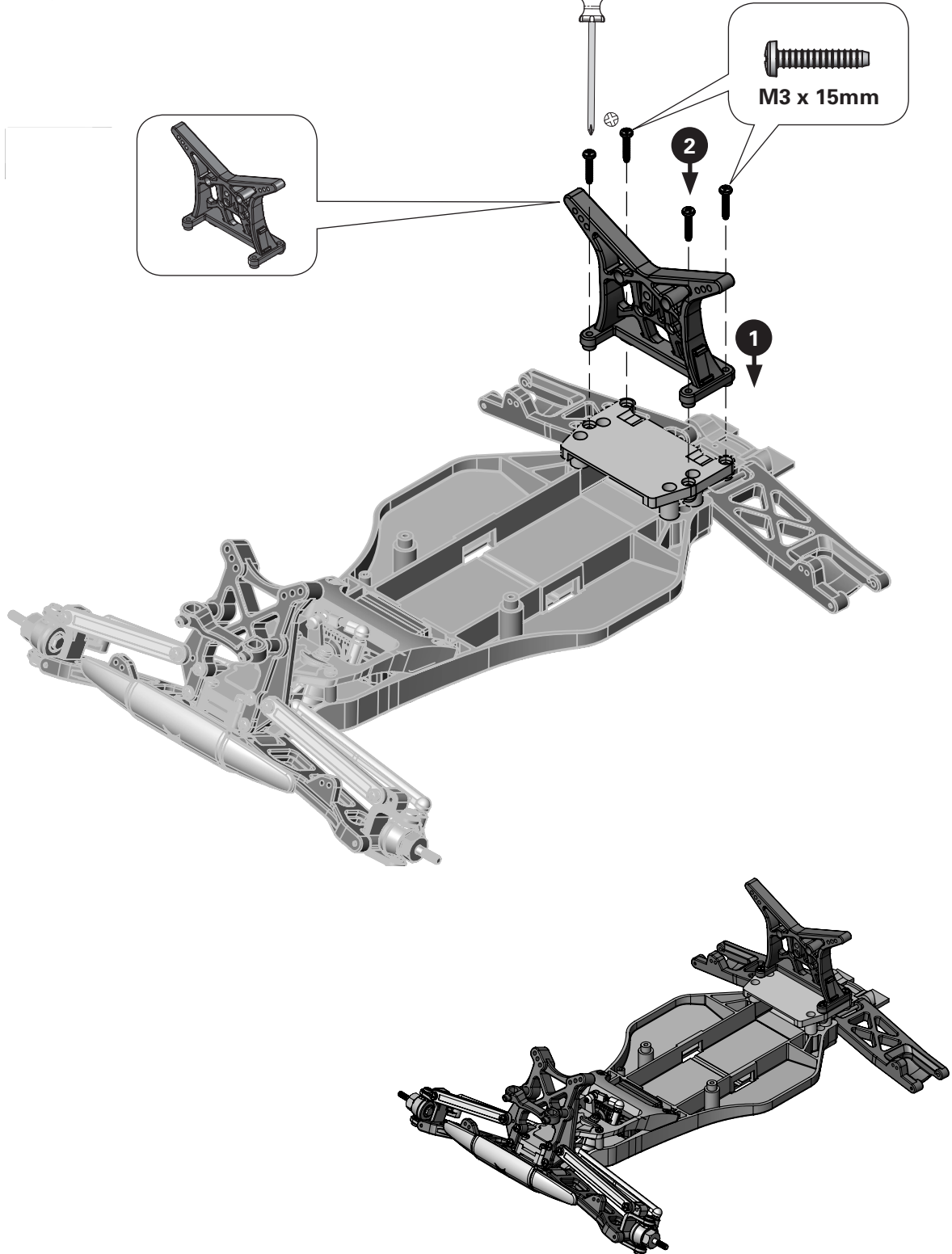
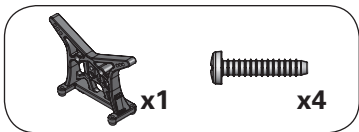




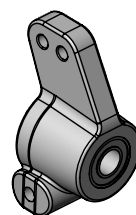
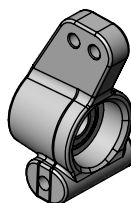
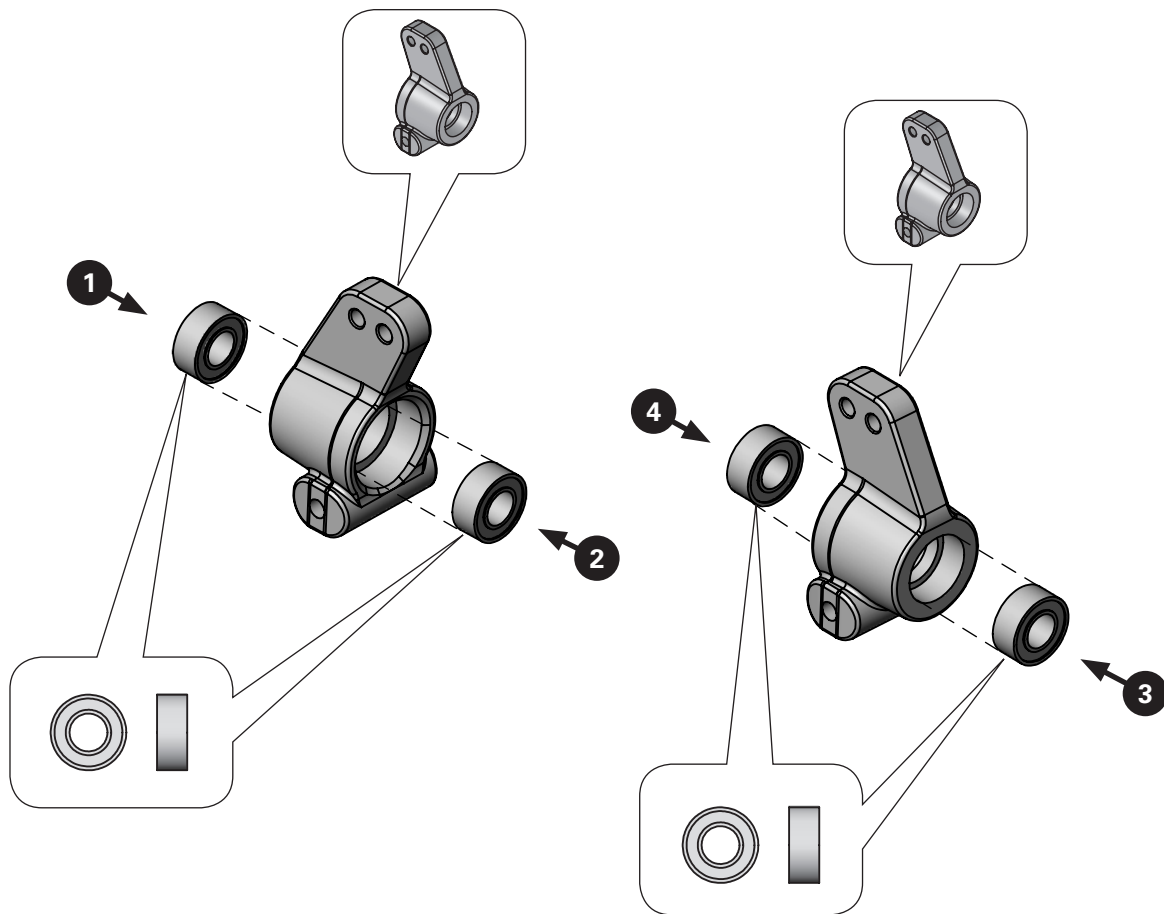
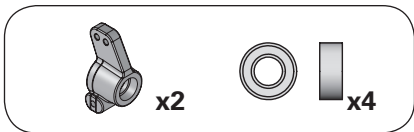
c4



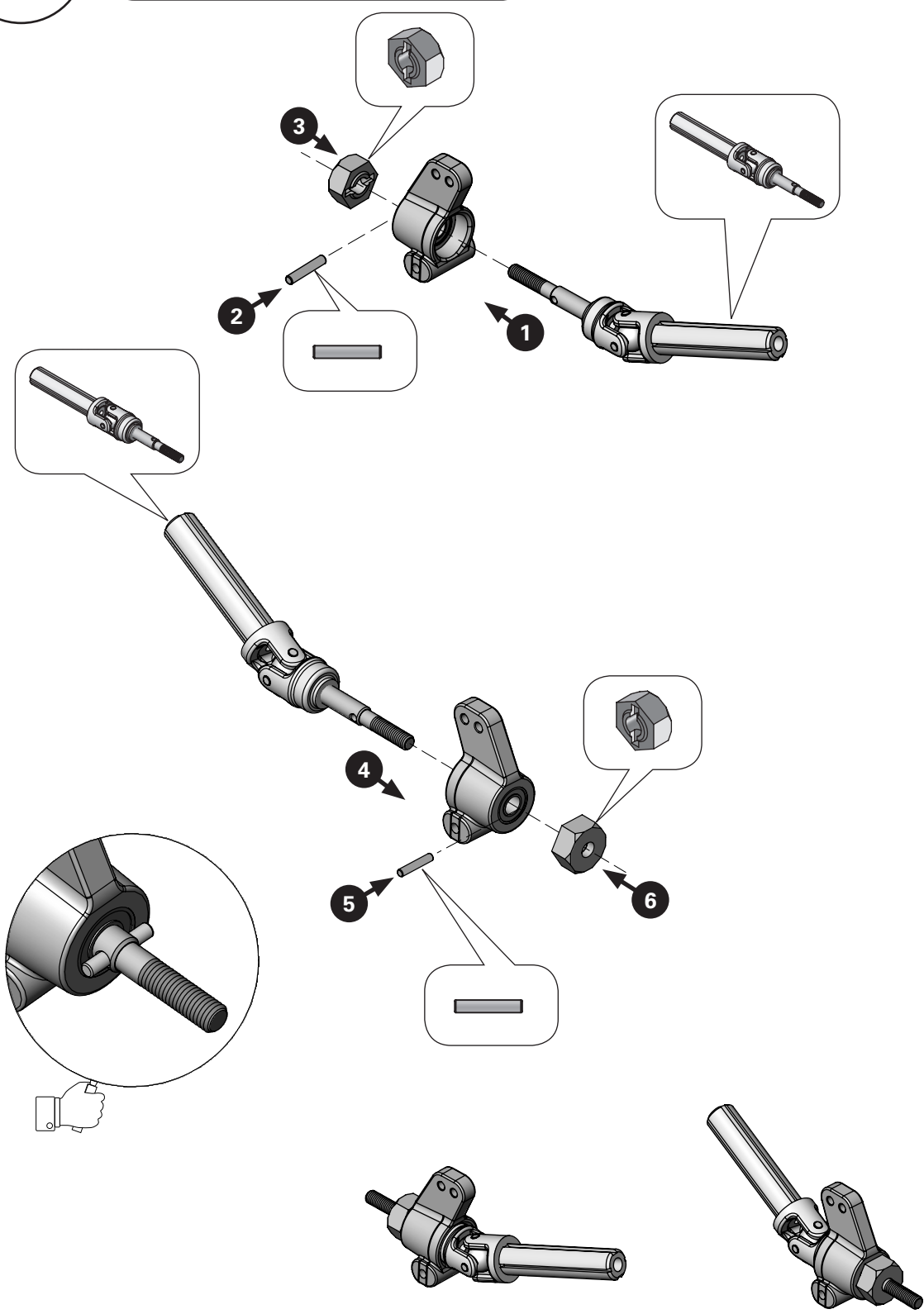
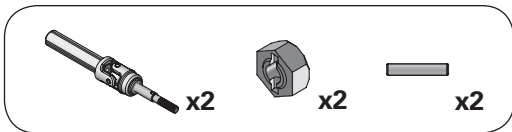
c5



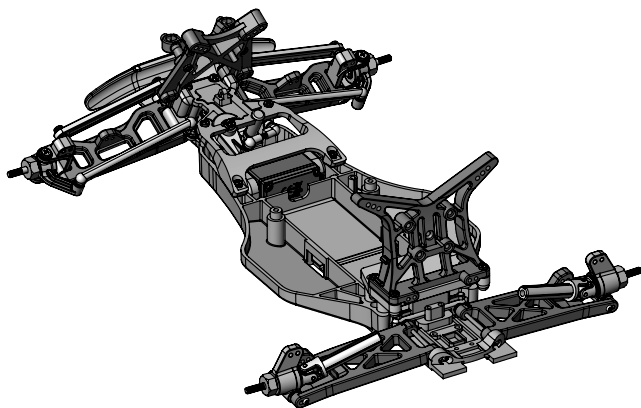
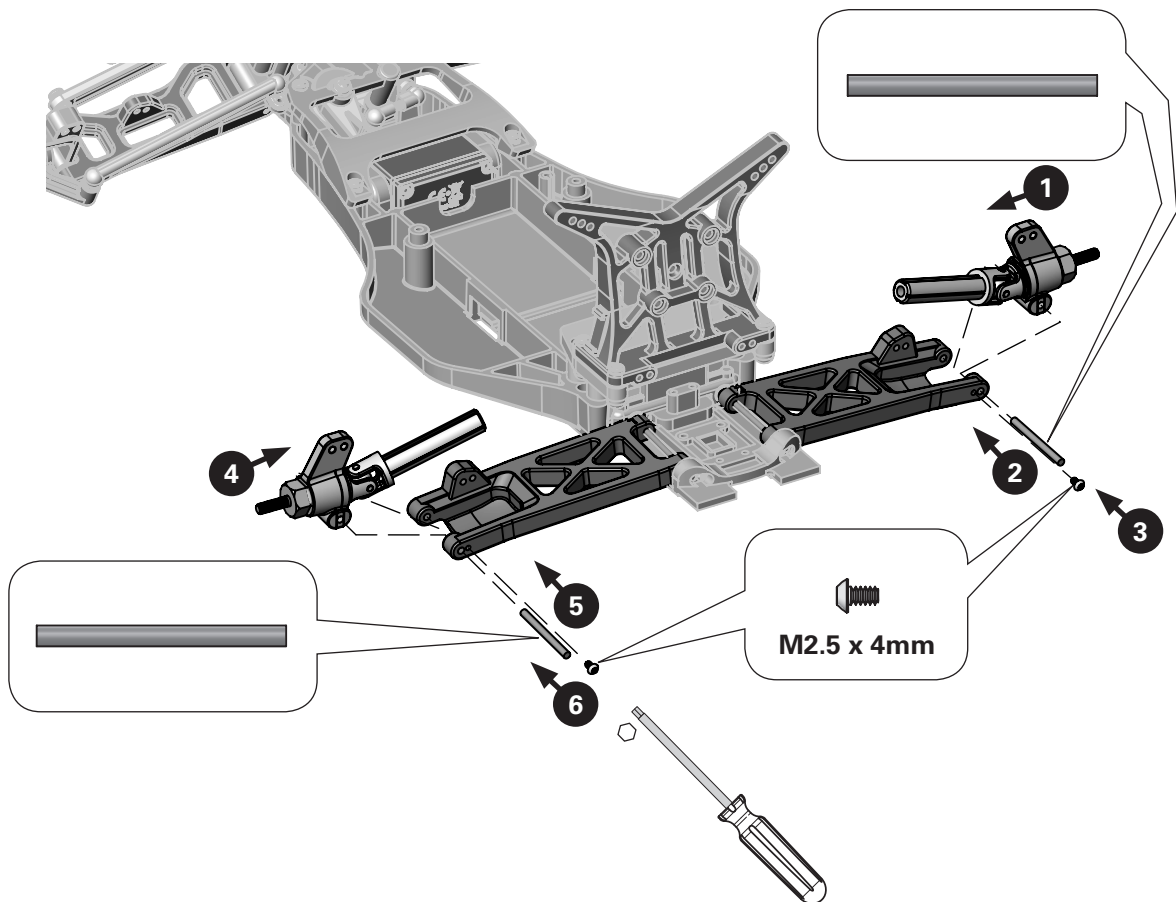
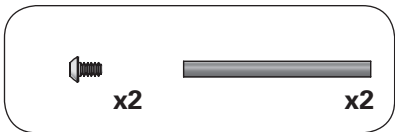
c6



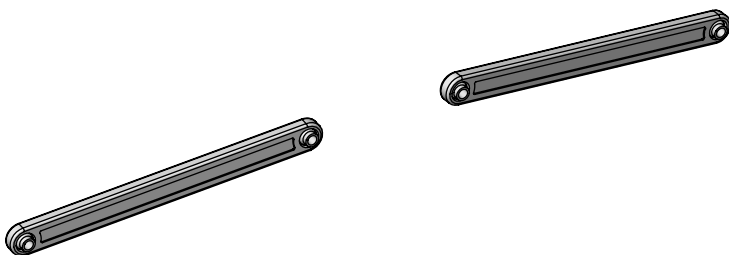
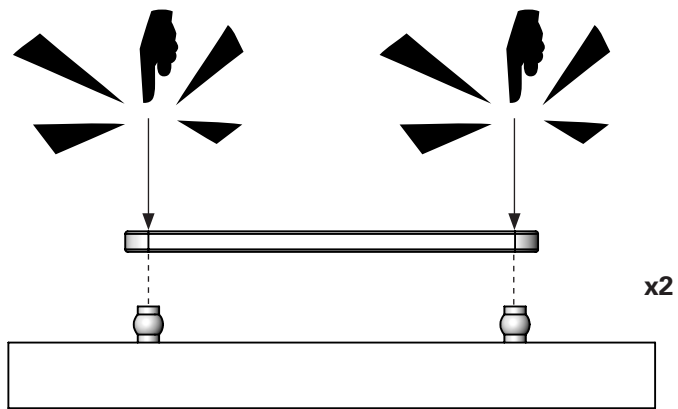
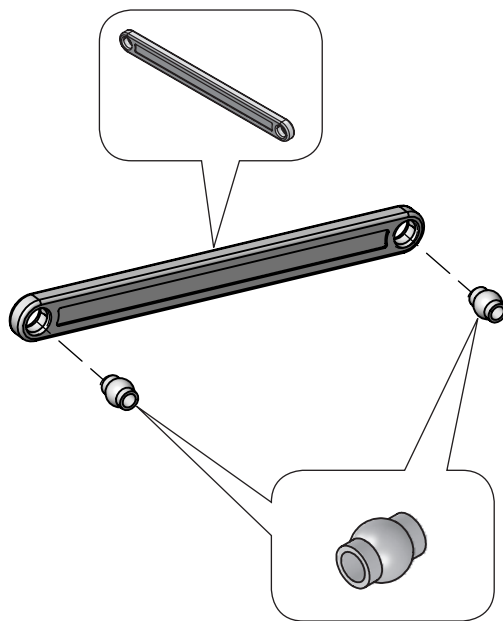
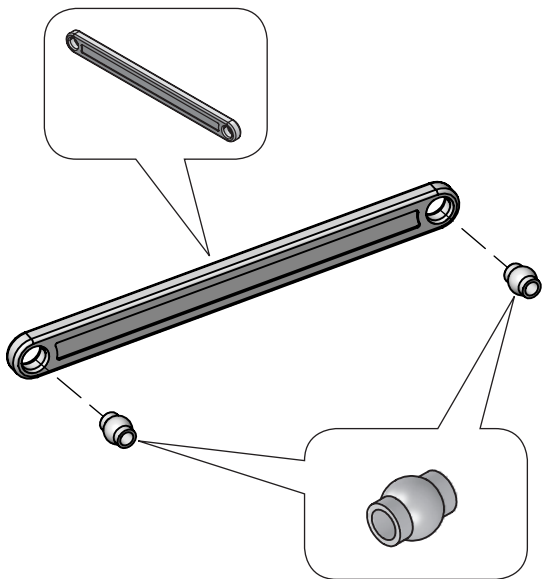
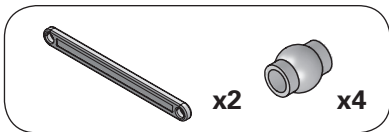
c7



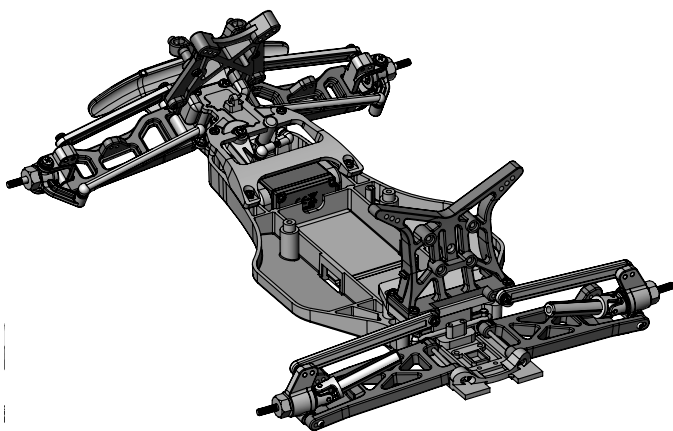
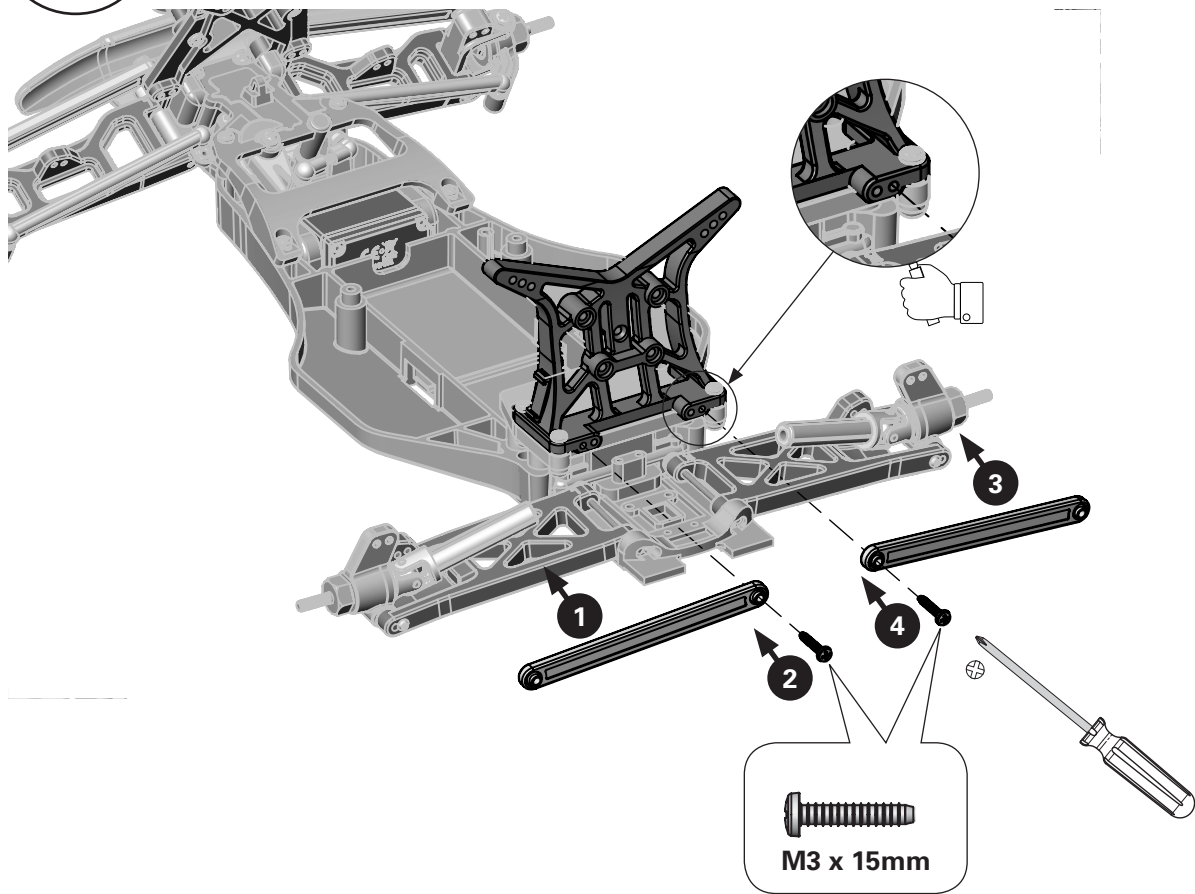
c8



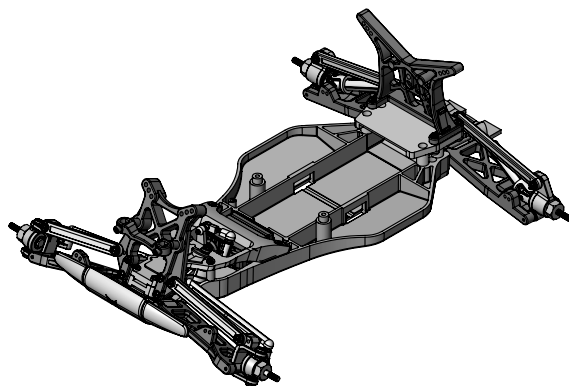
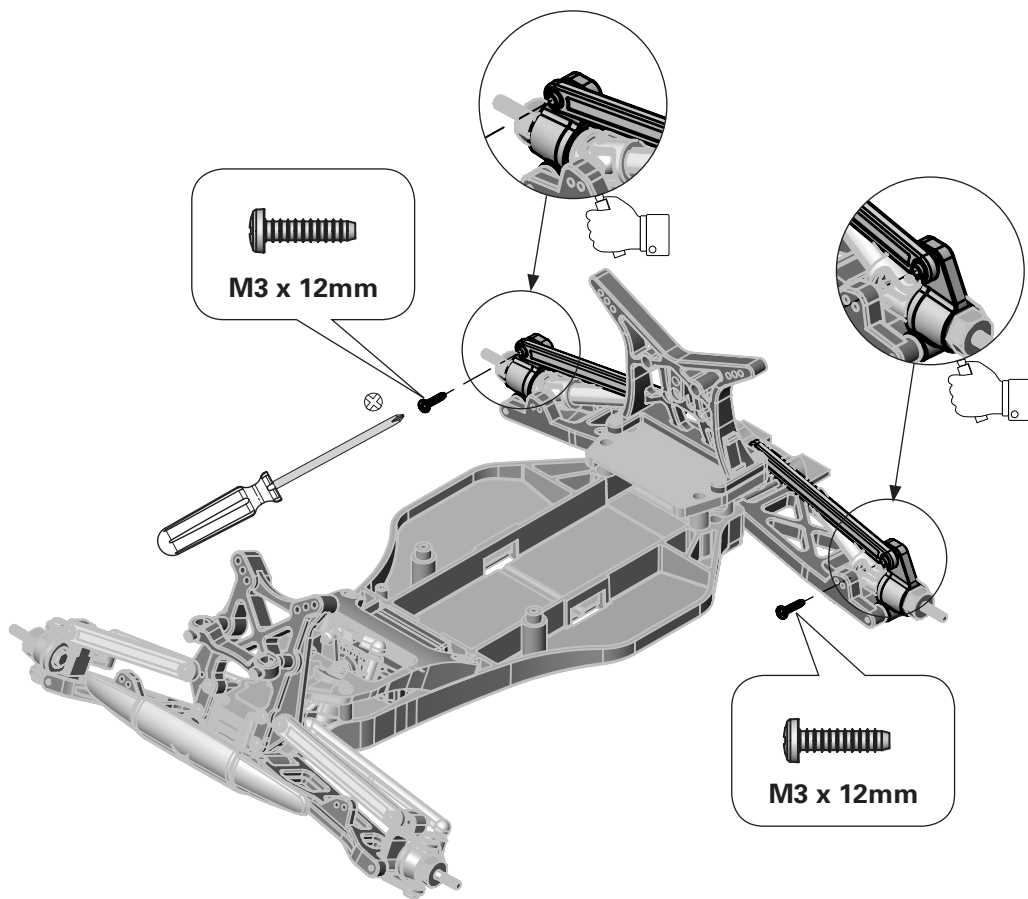
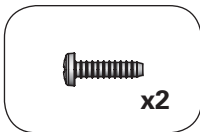
c9



c10

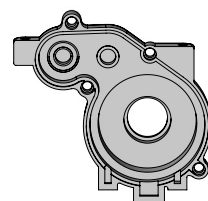
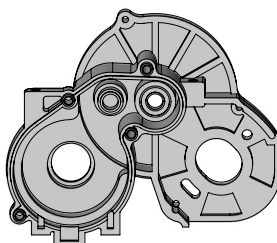
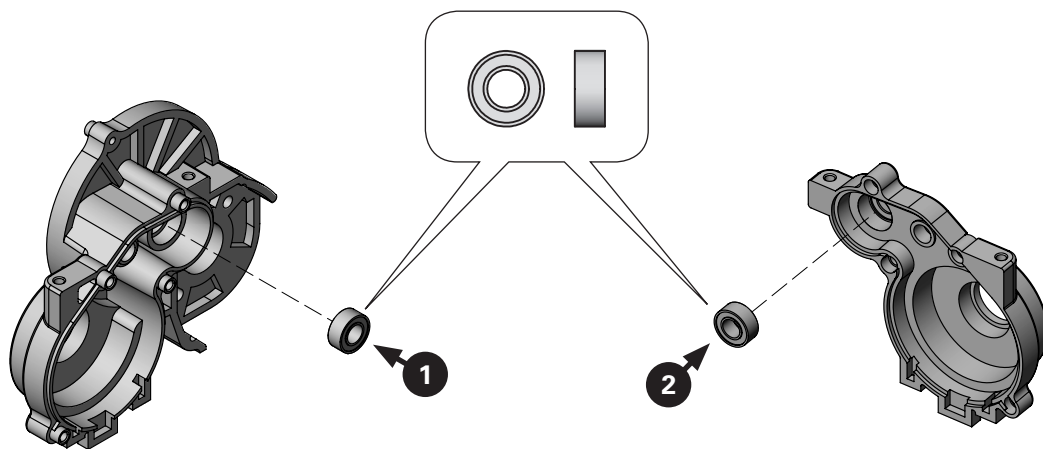
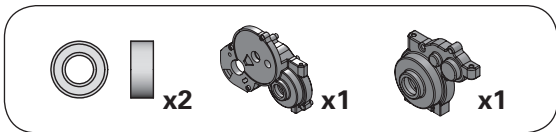


c11

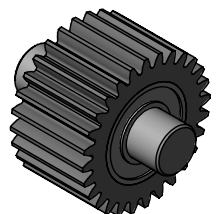
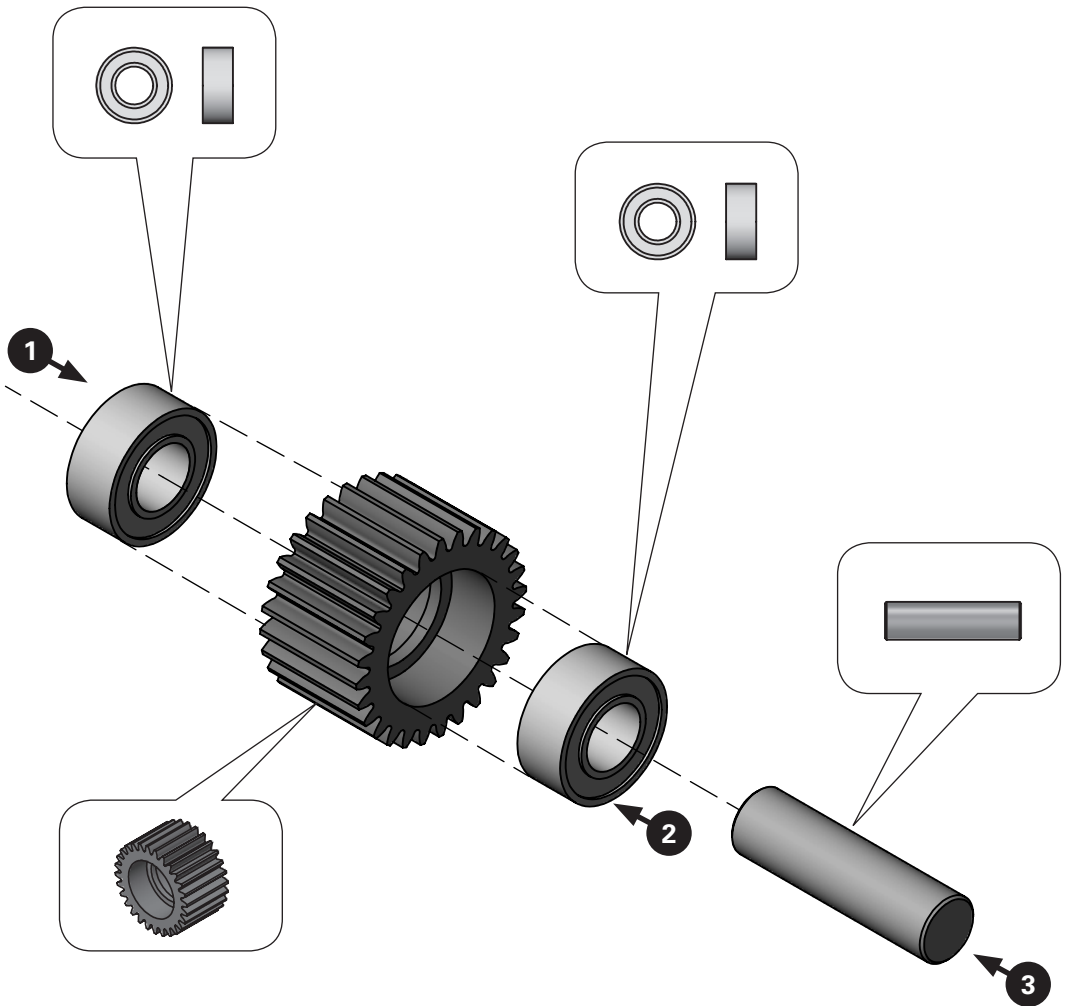
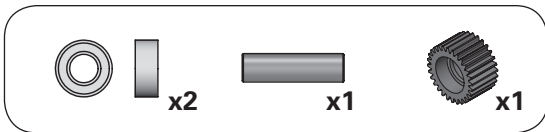




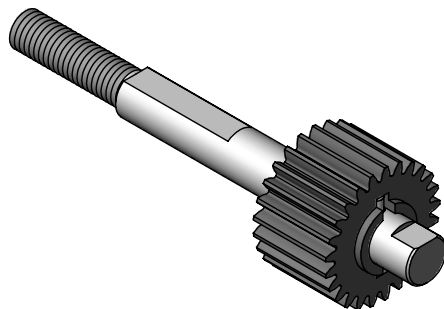
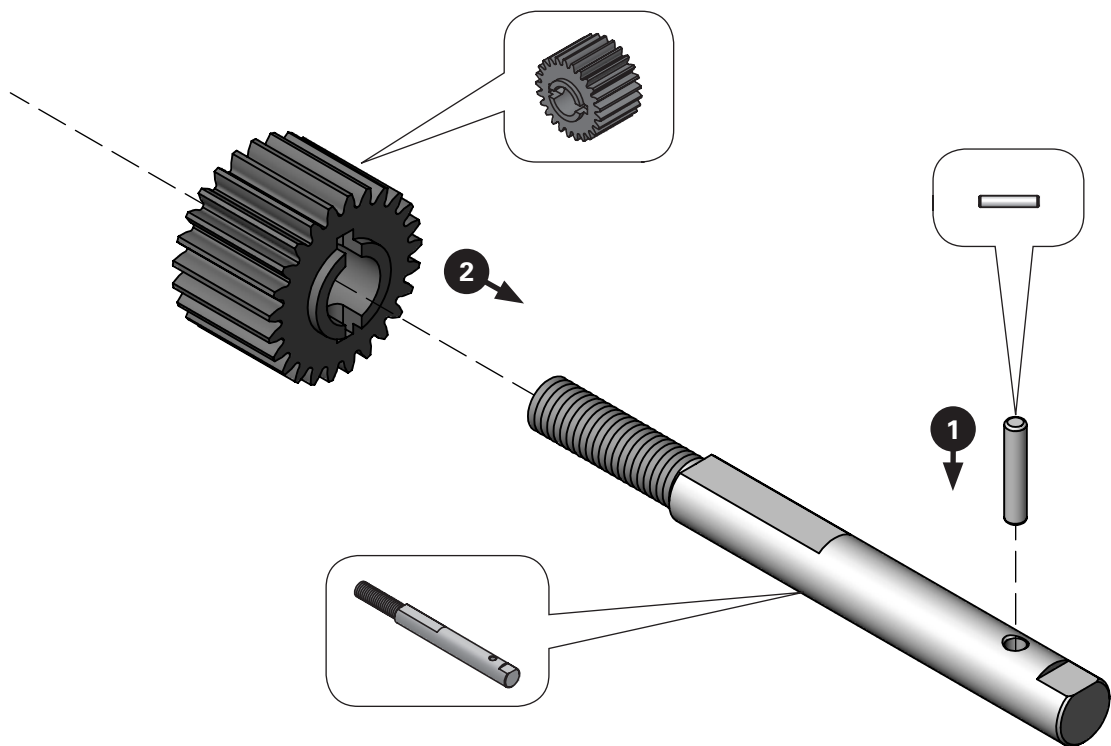
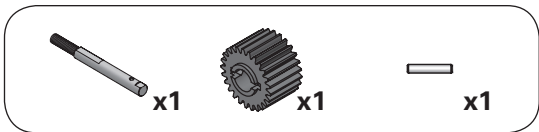
d1



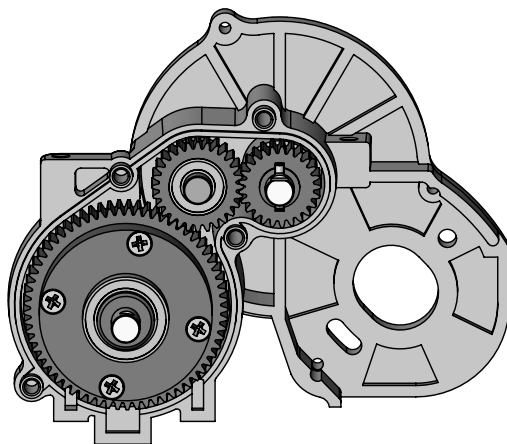
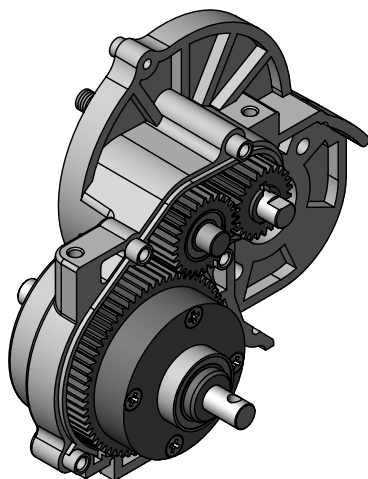
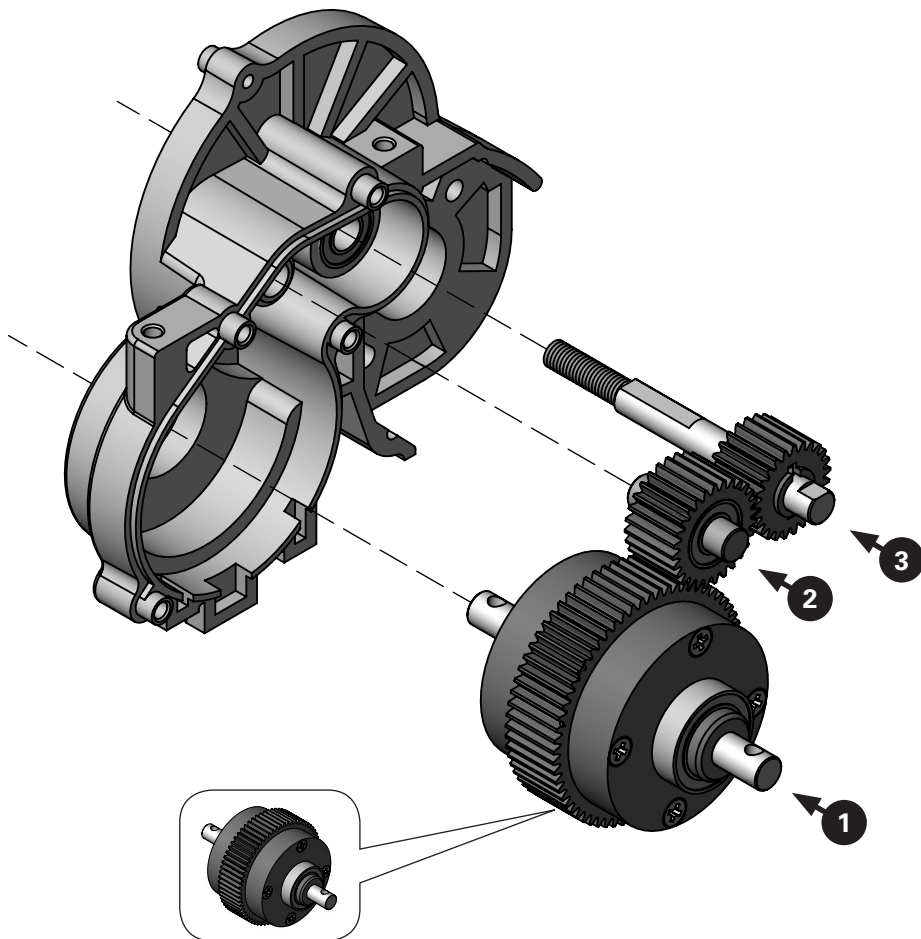
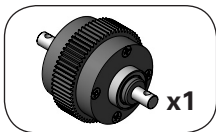
d2



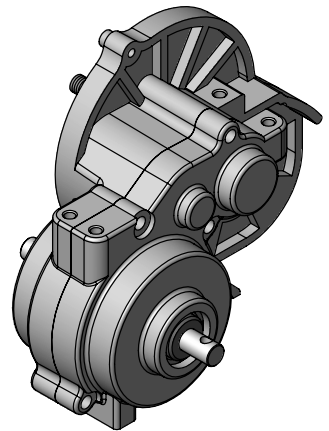
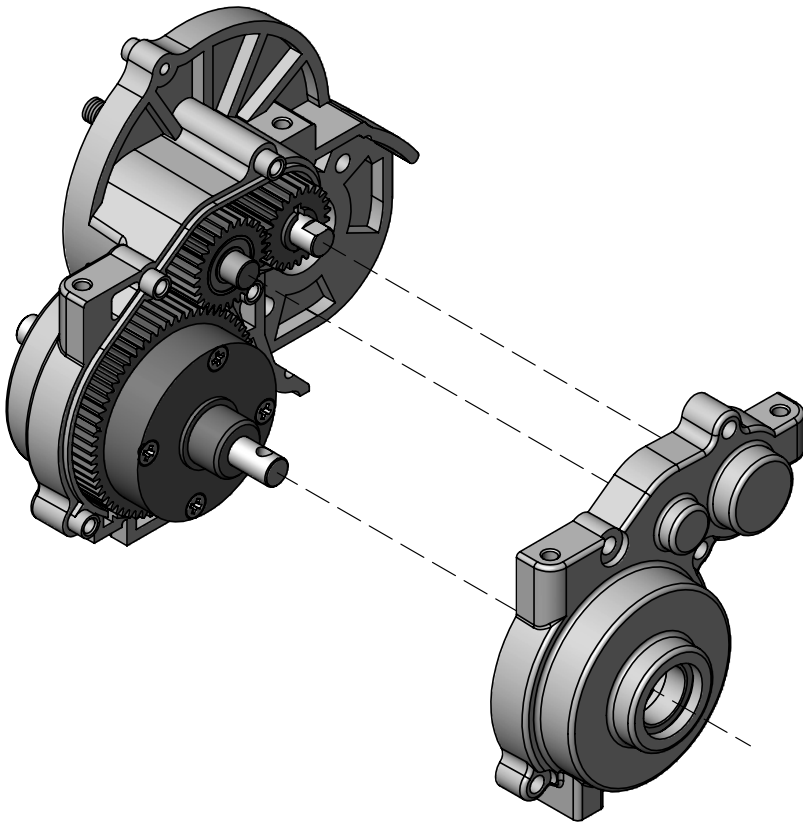
d3



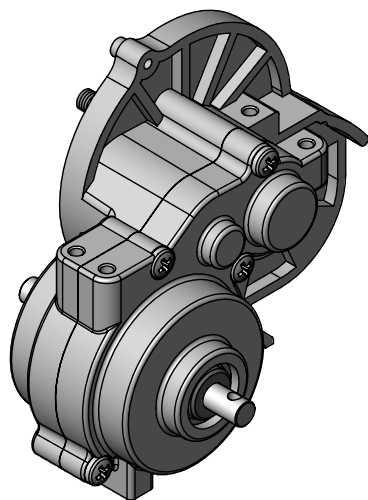
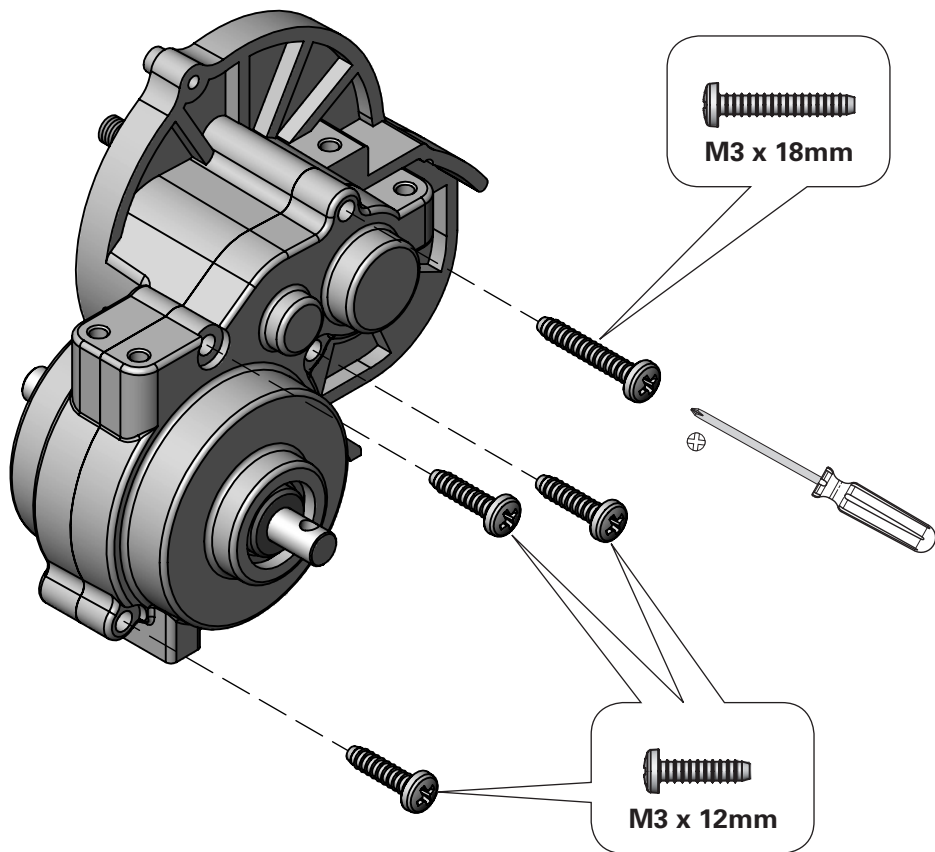
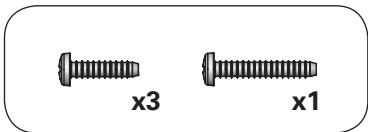
d4



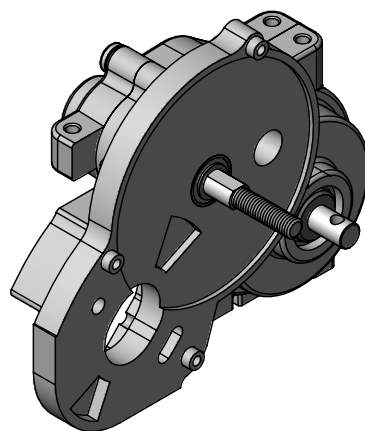
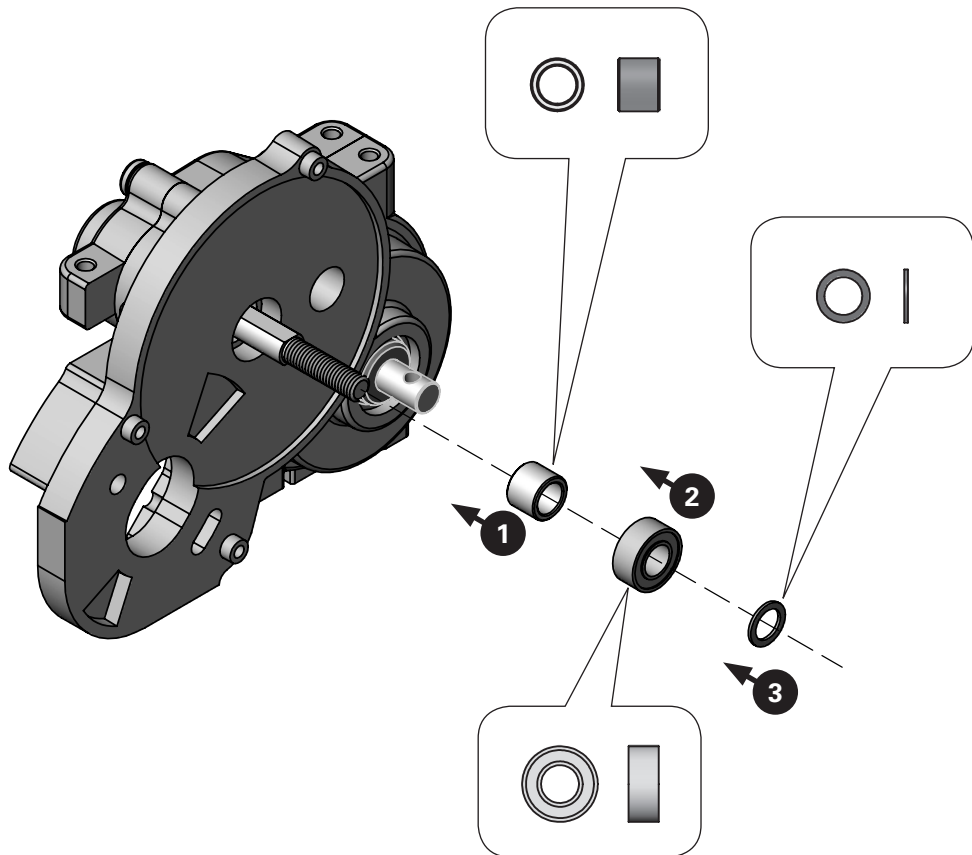
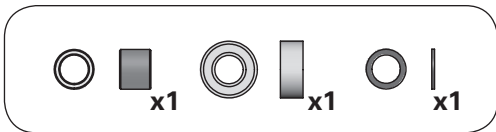
d5



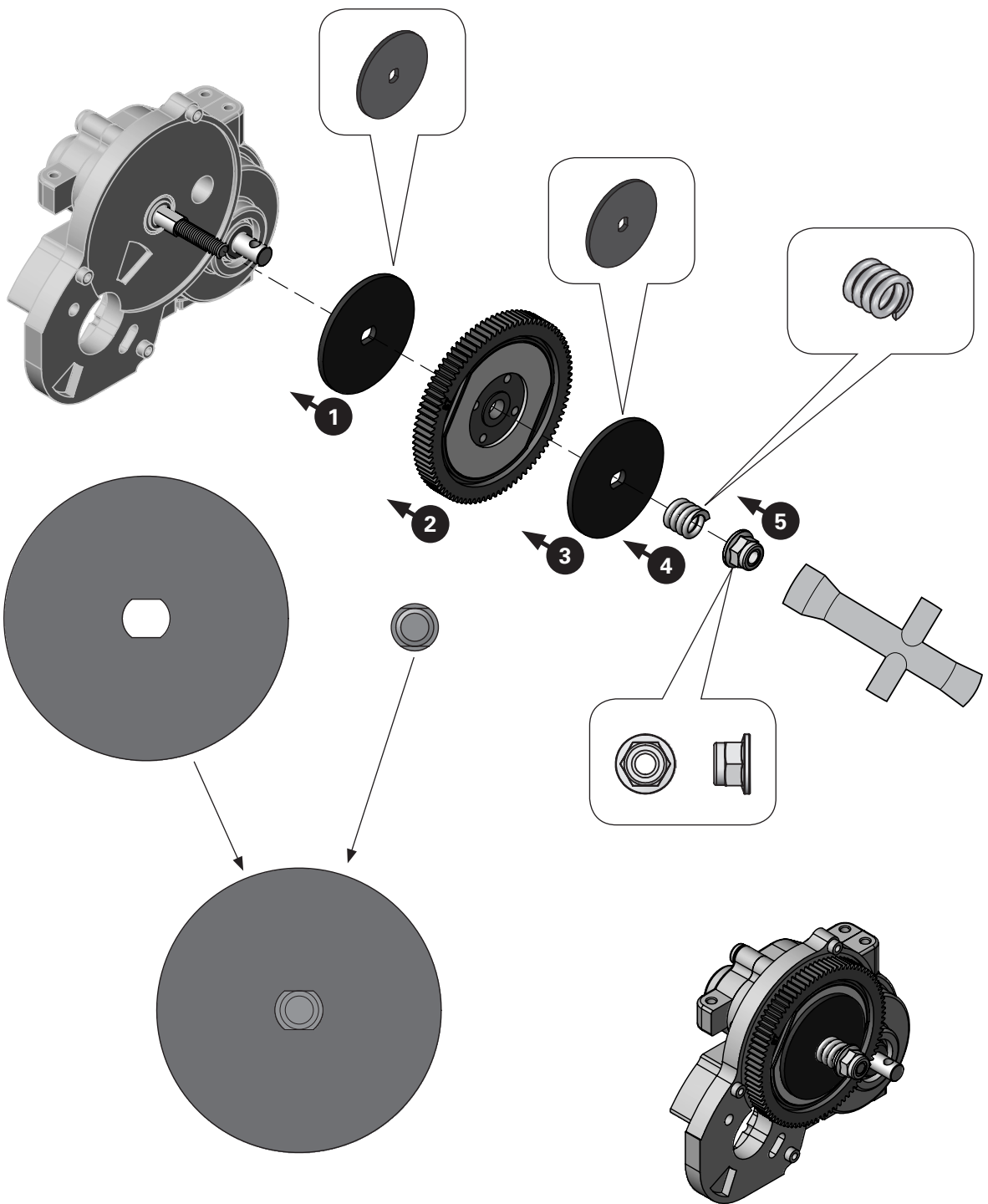
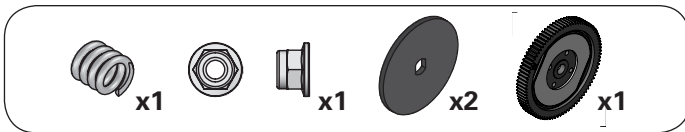
d6



d7

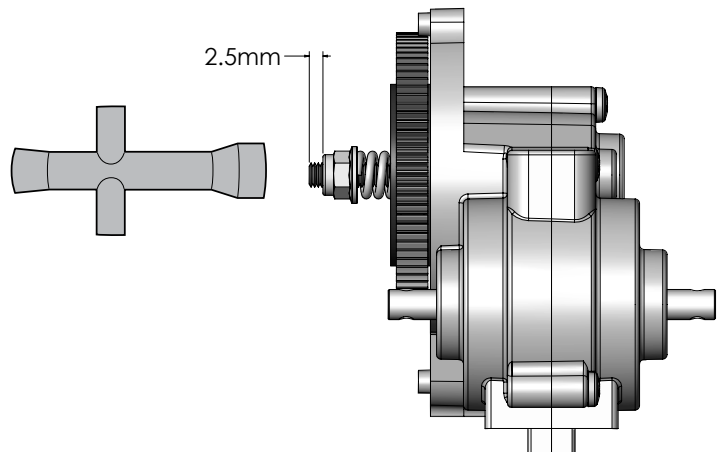
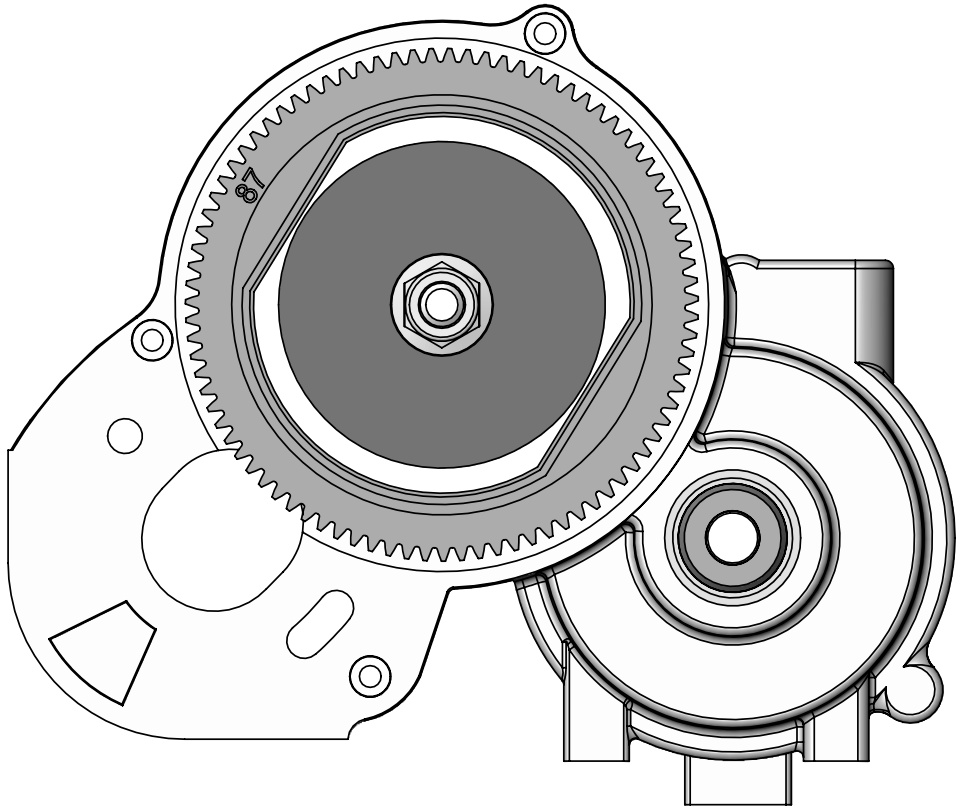


d8

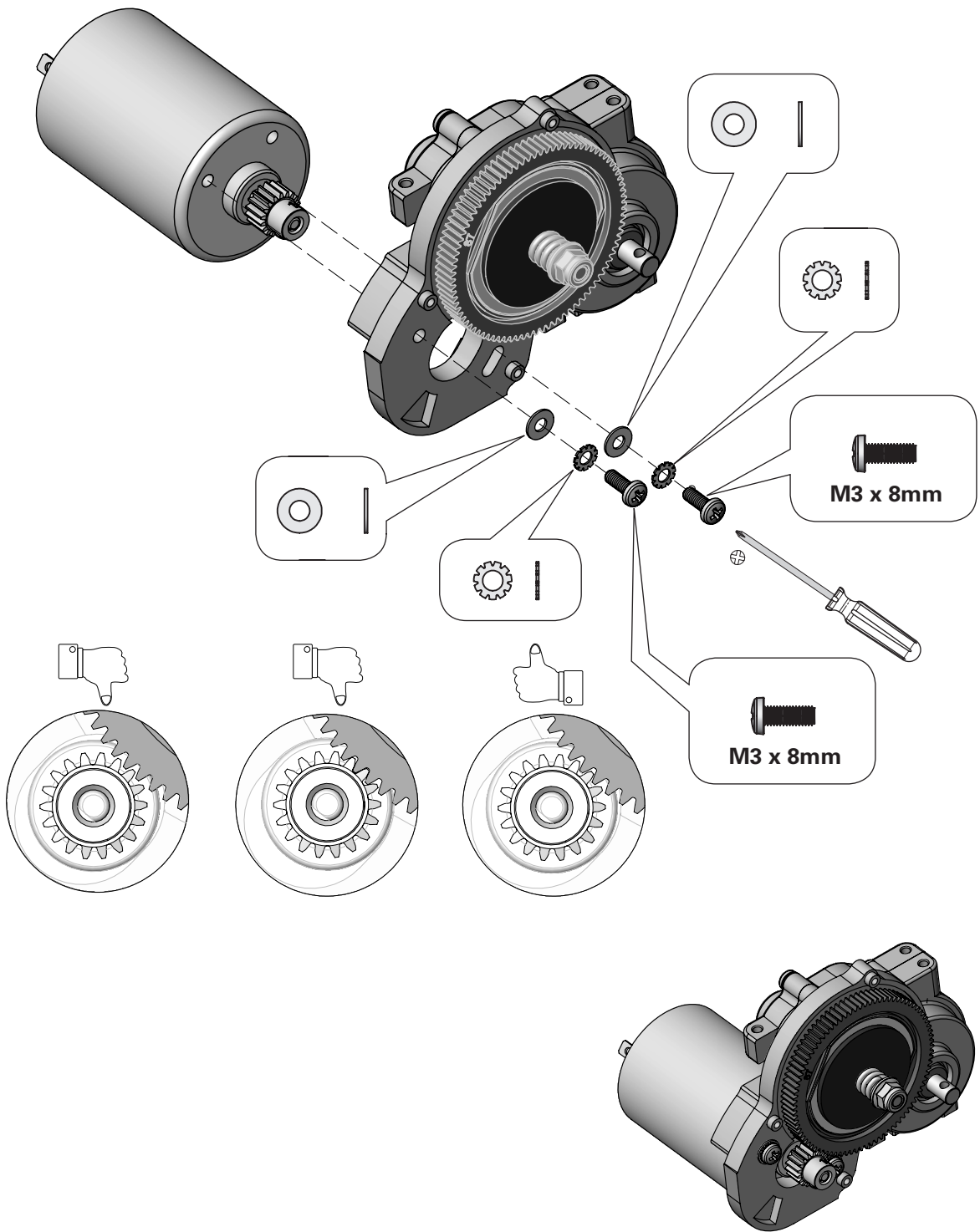
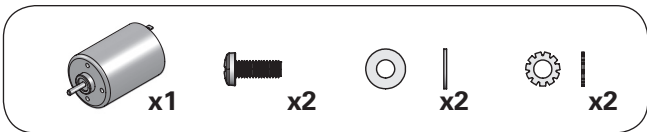




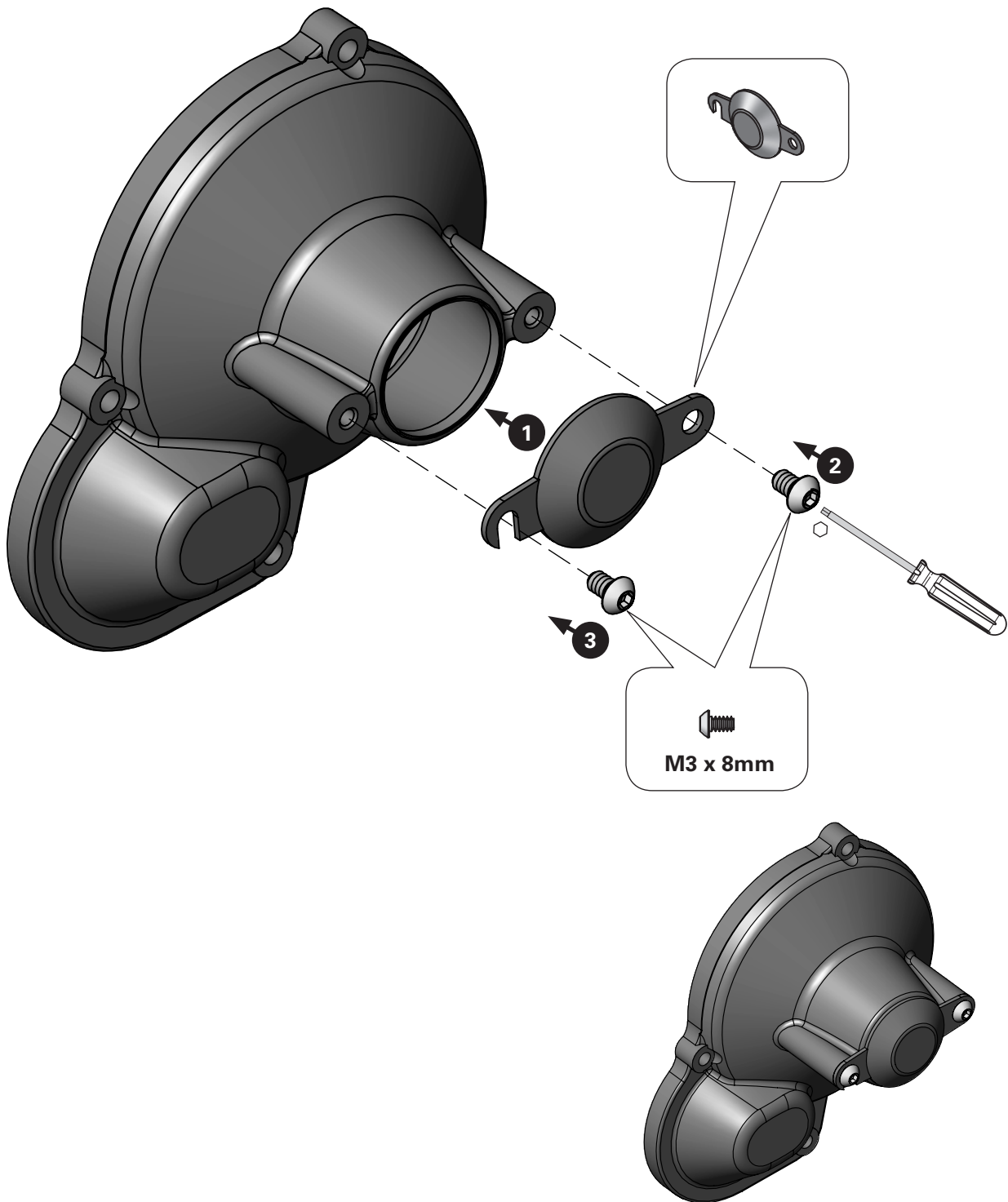
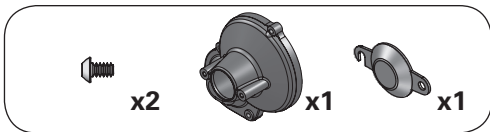
d9




d10

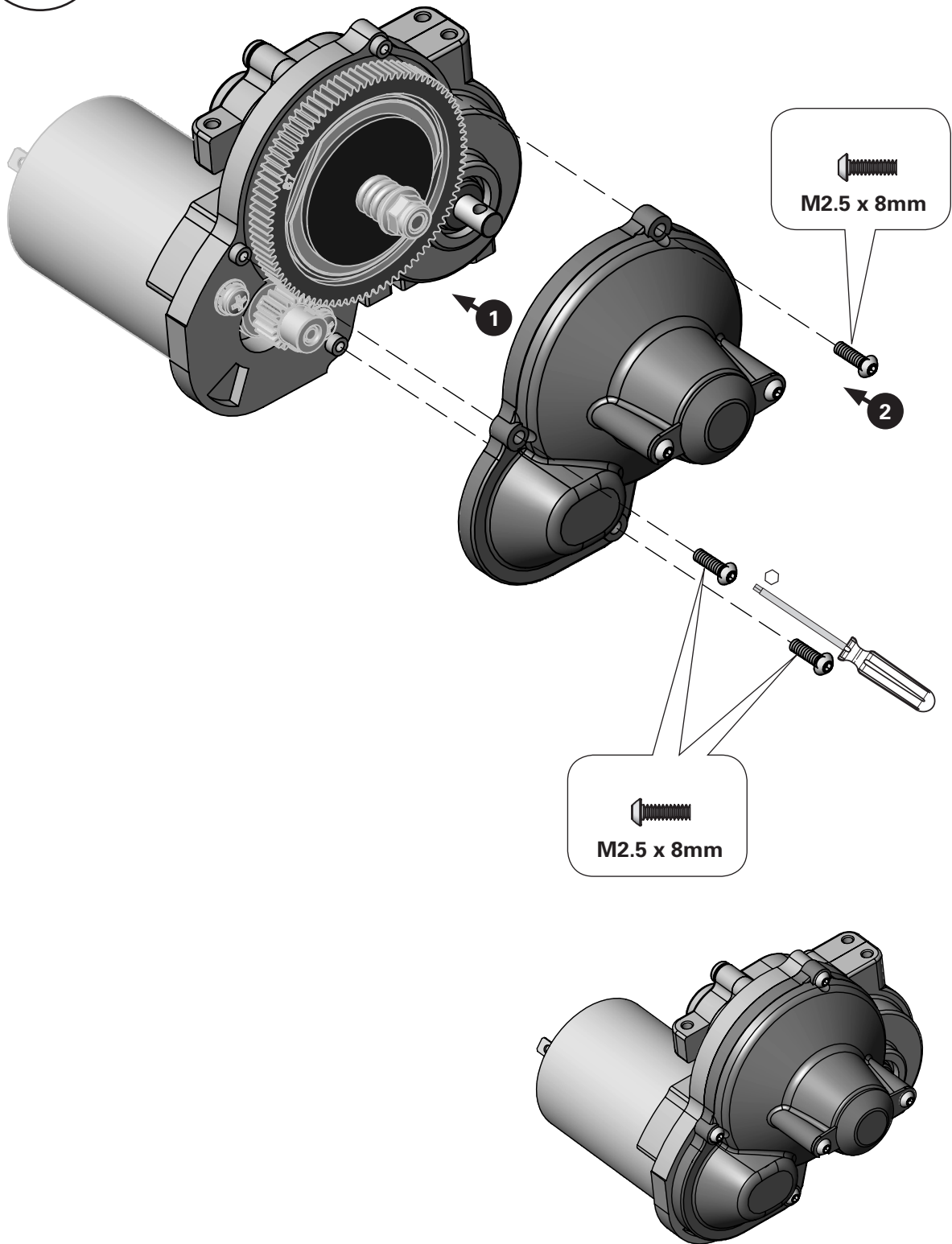


d11

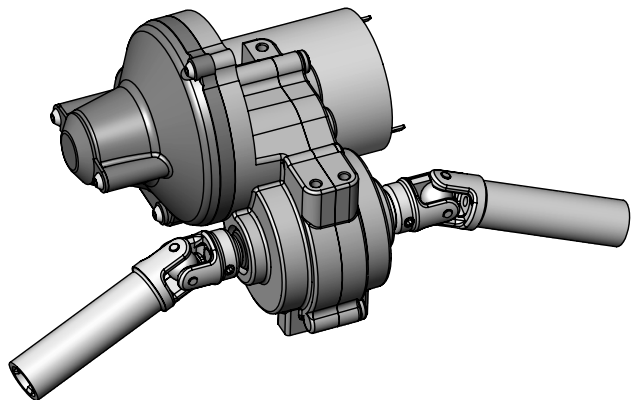
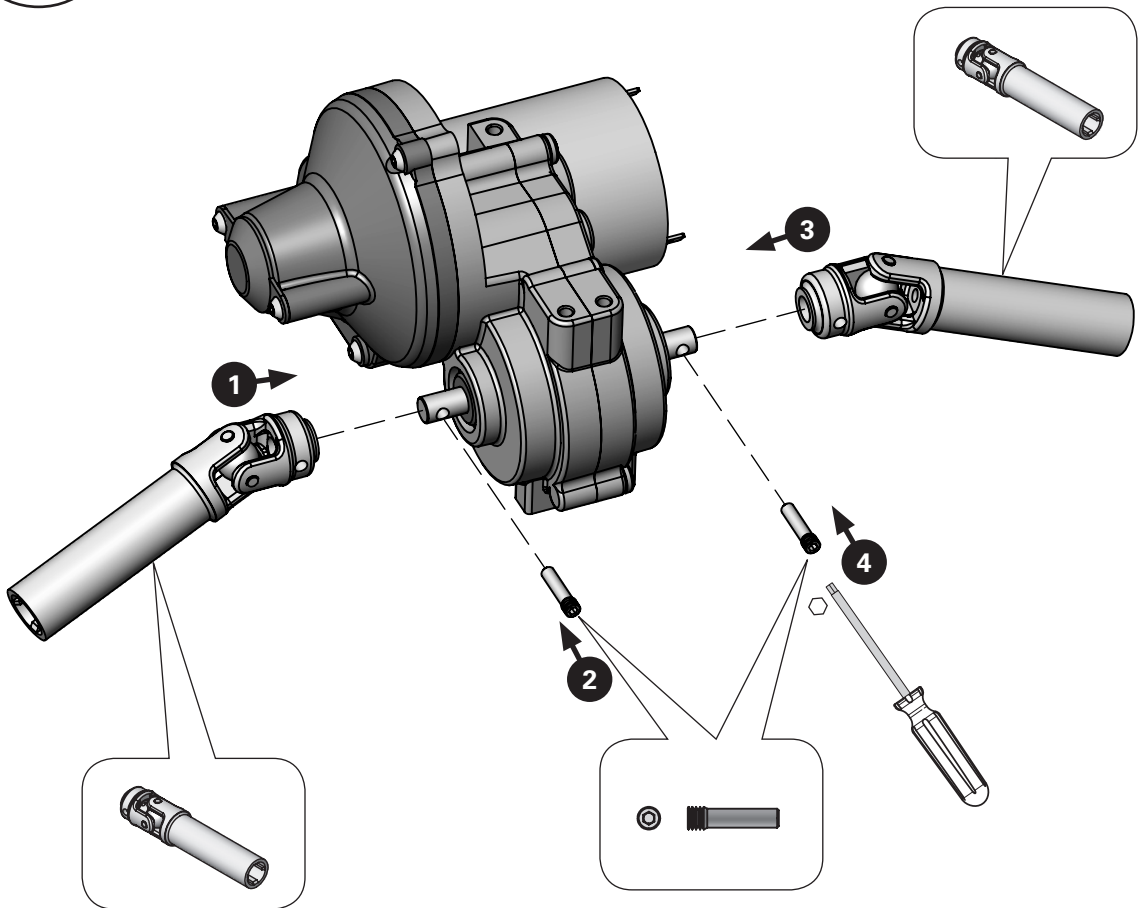
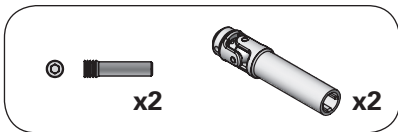


d12

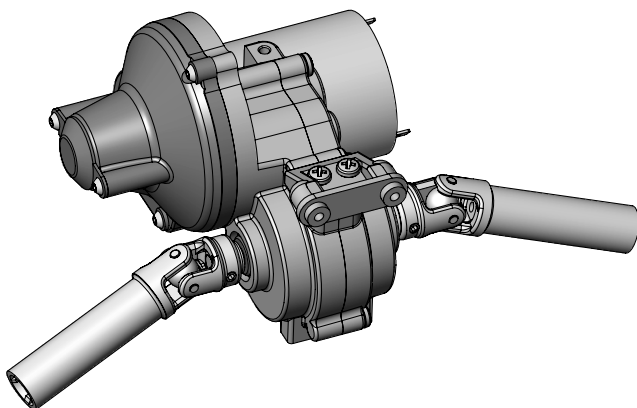
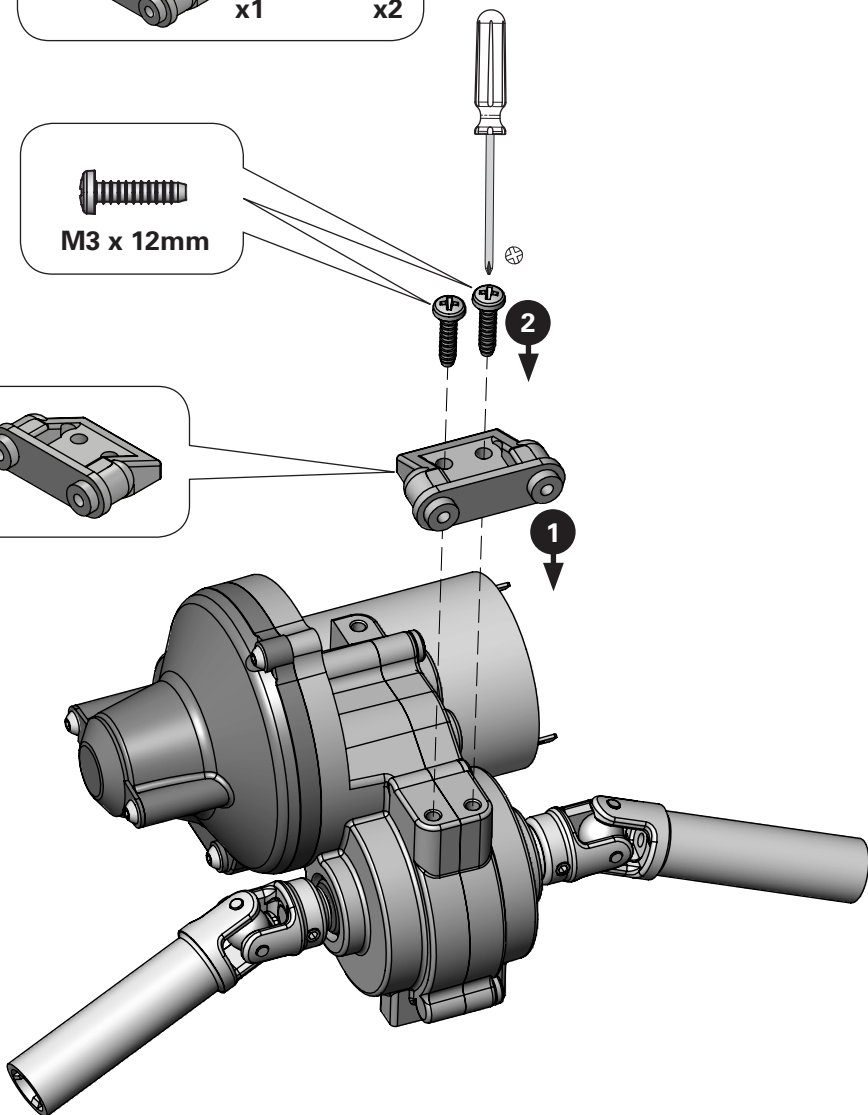
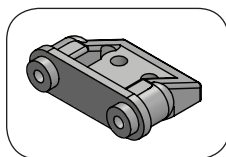
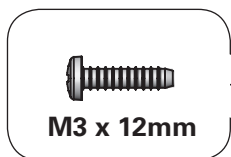
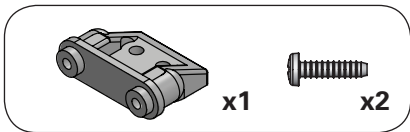
 x3



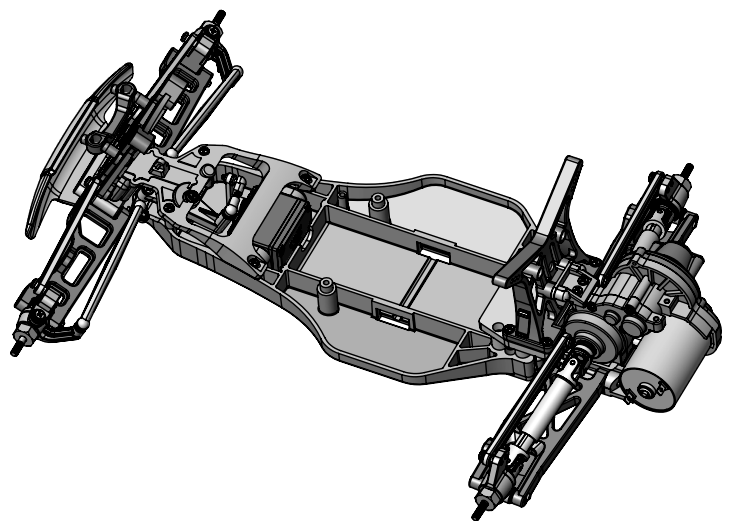
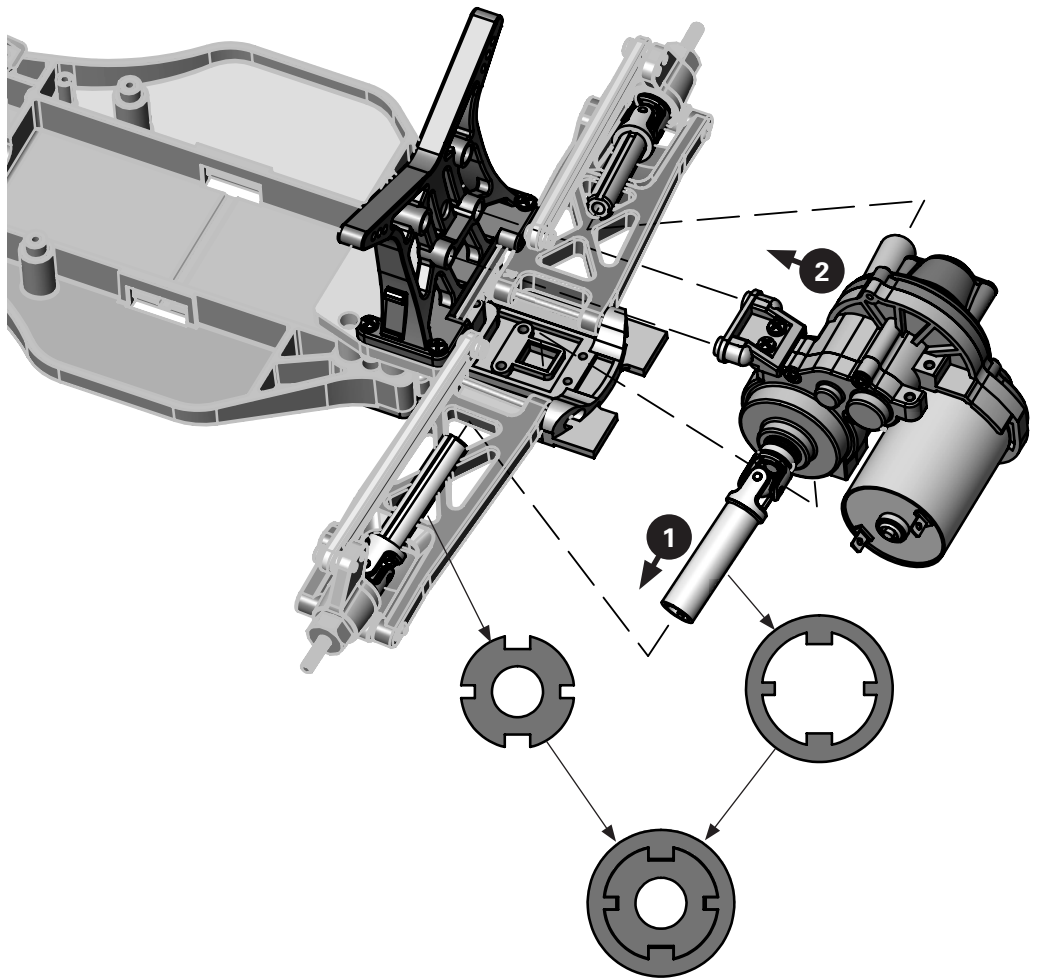
d13



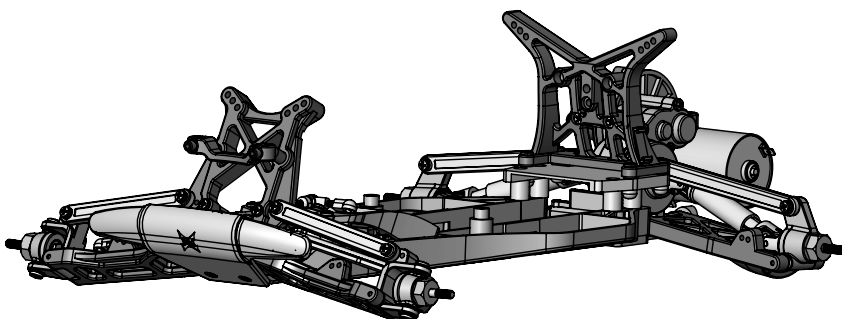
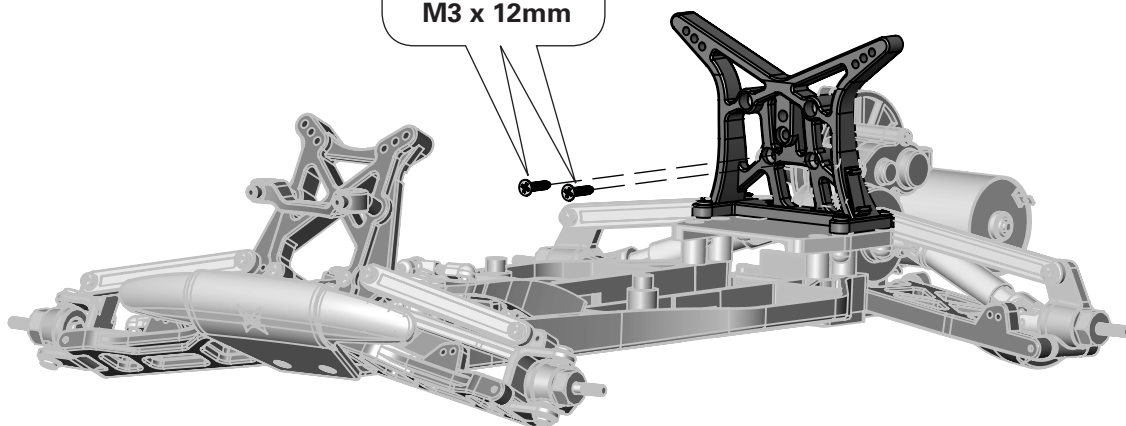
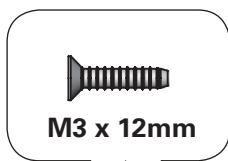
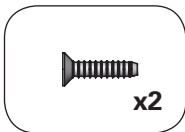
d14



d15

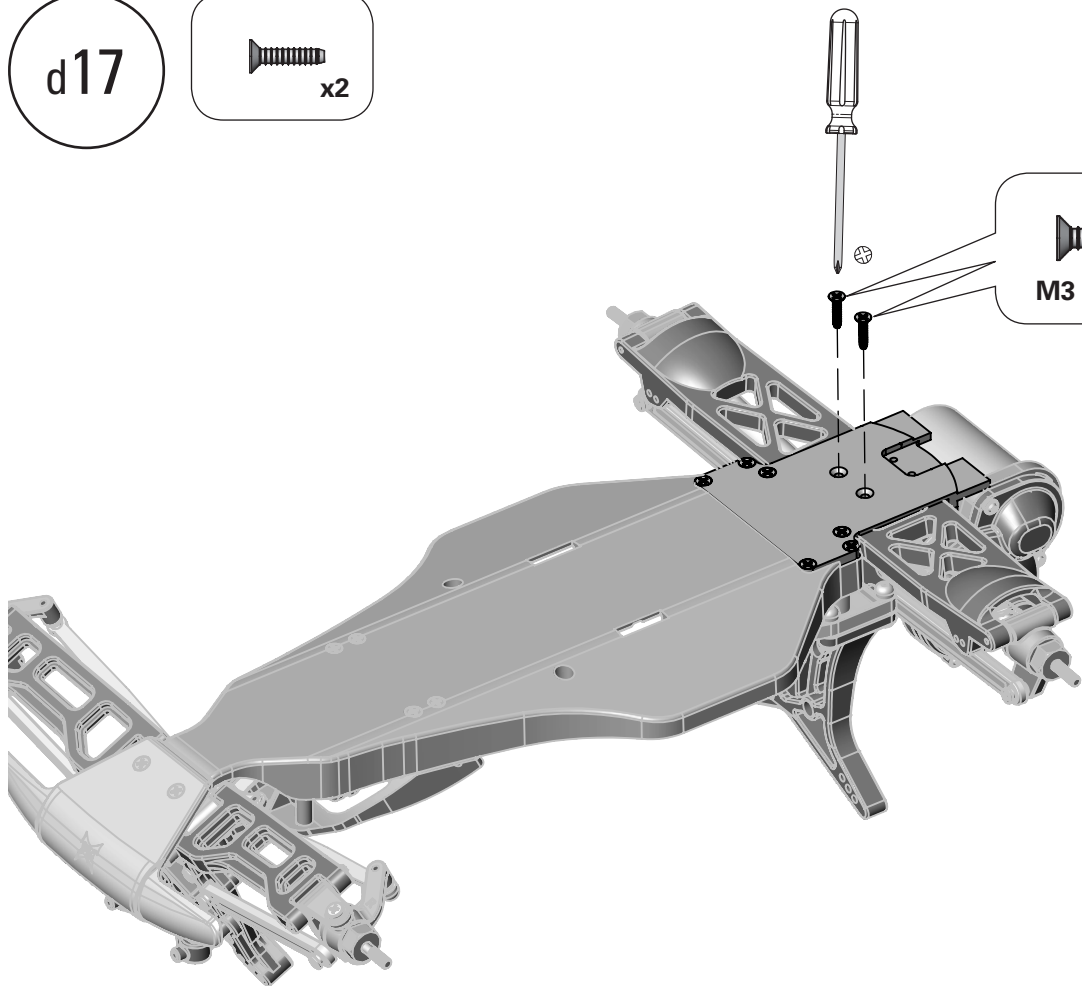
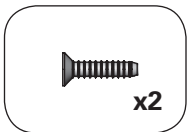


d16

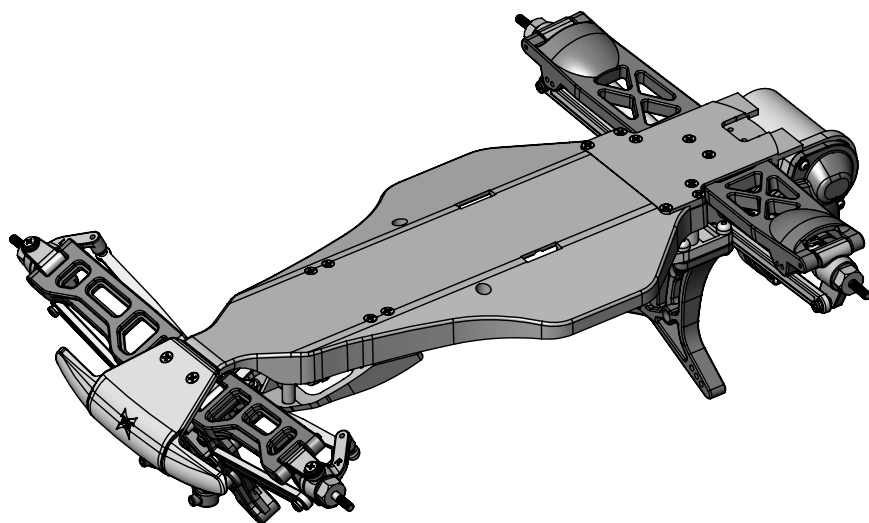




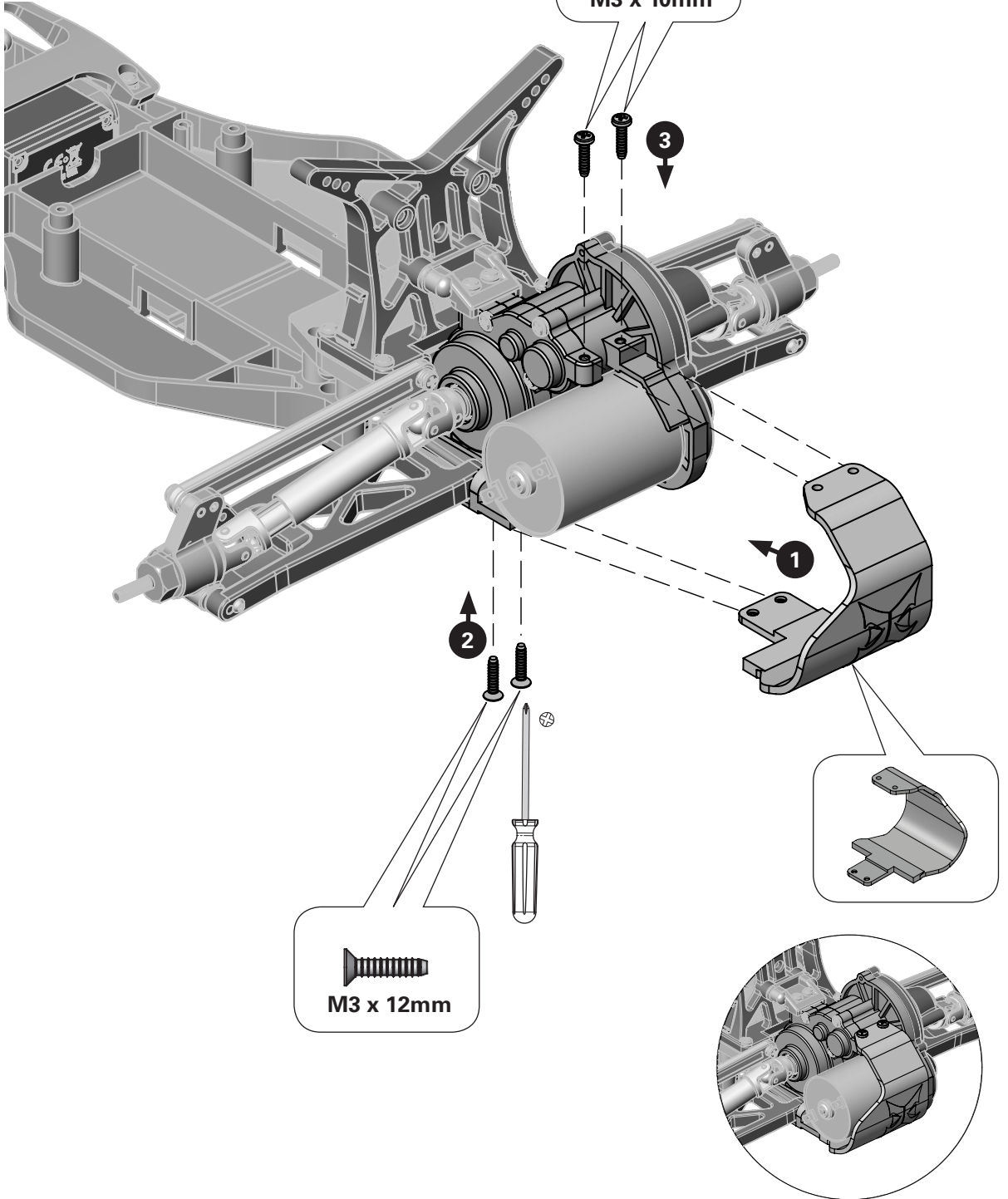
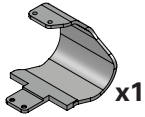
d17



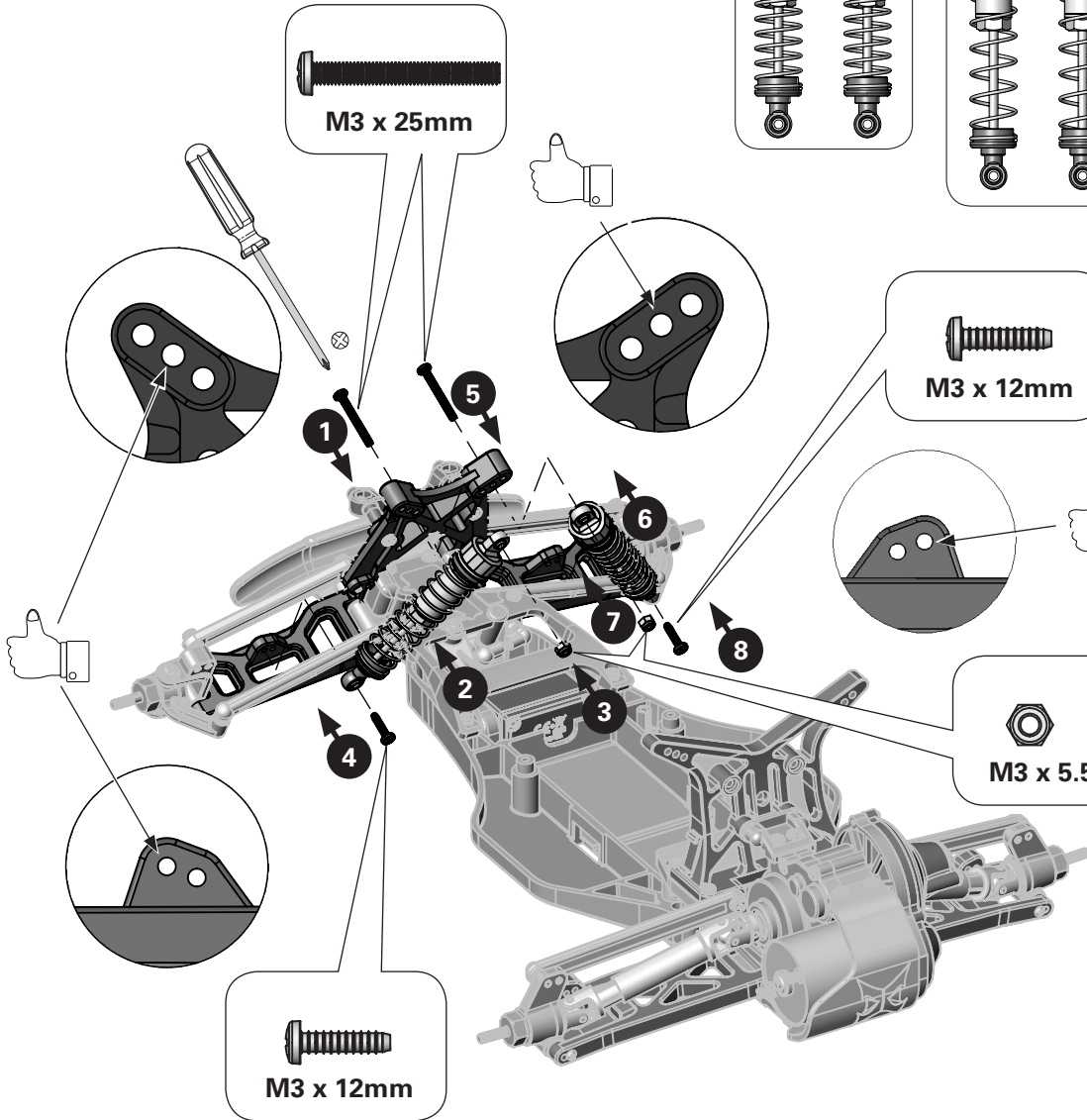
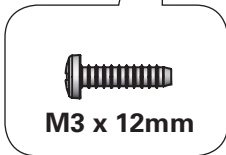
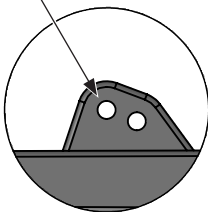
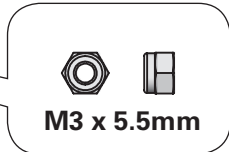
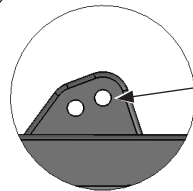
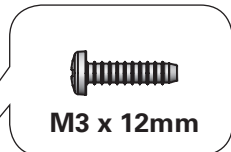
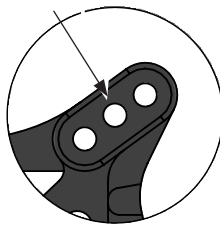
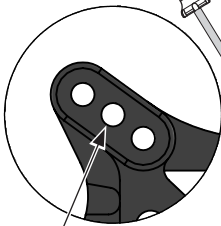
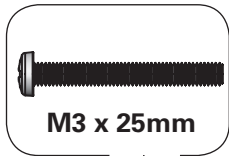
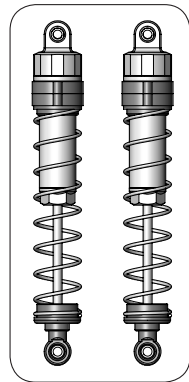
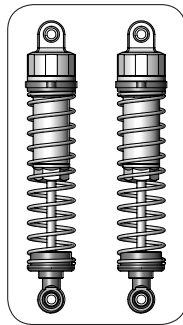
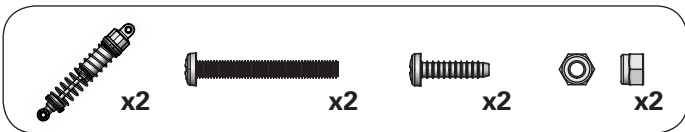
M3 x 12mm



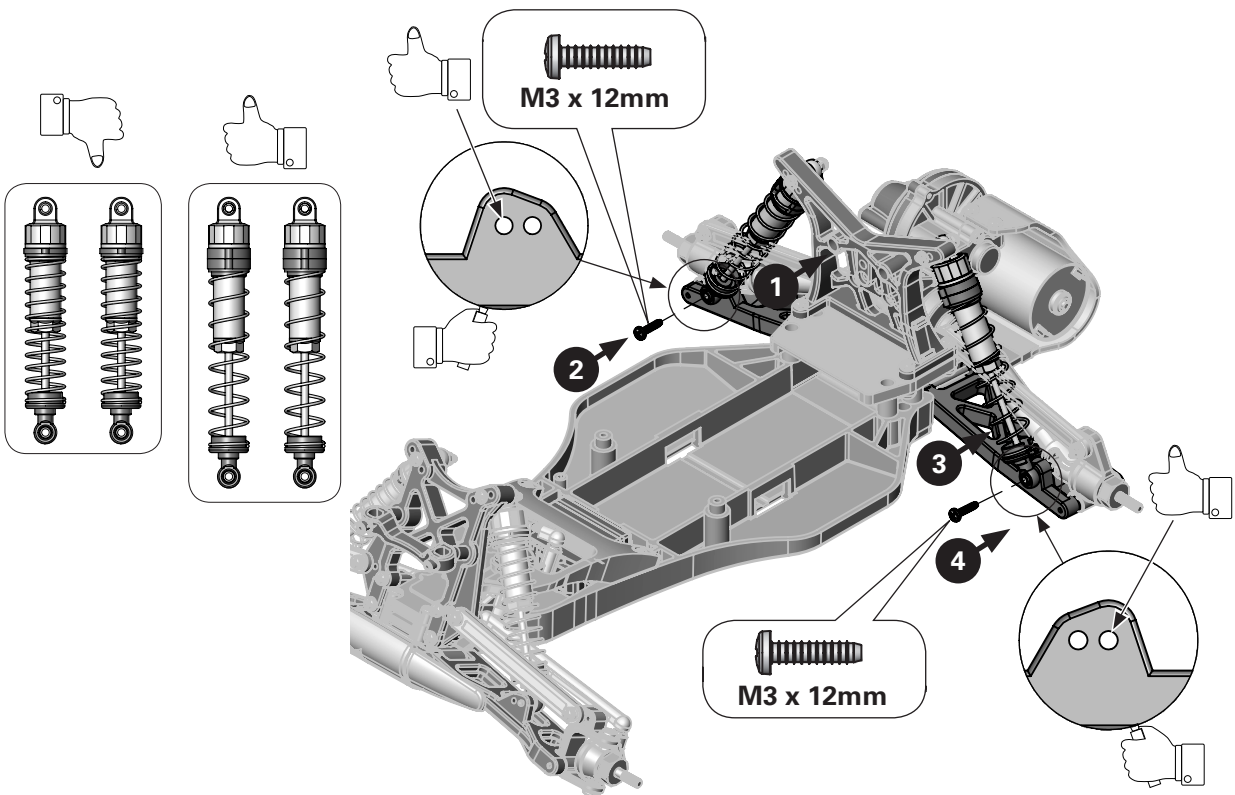
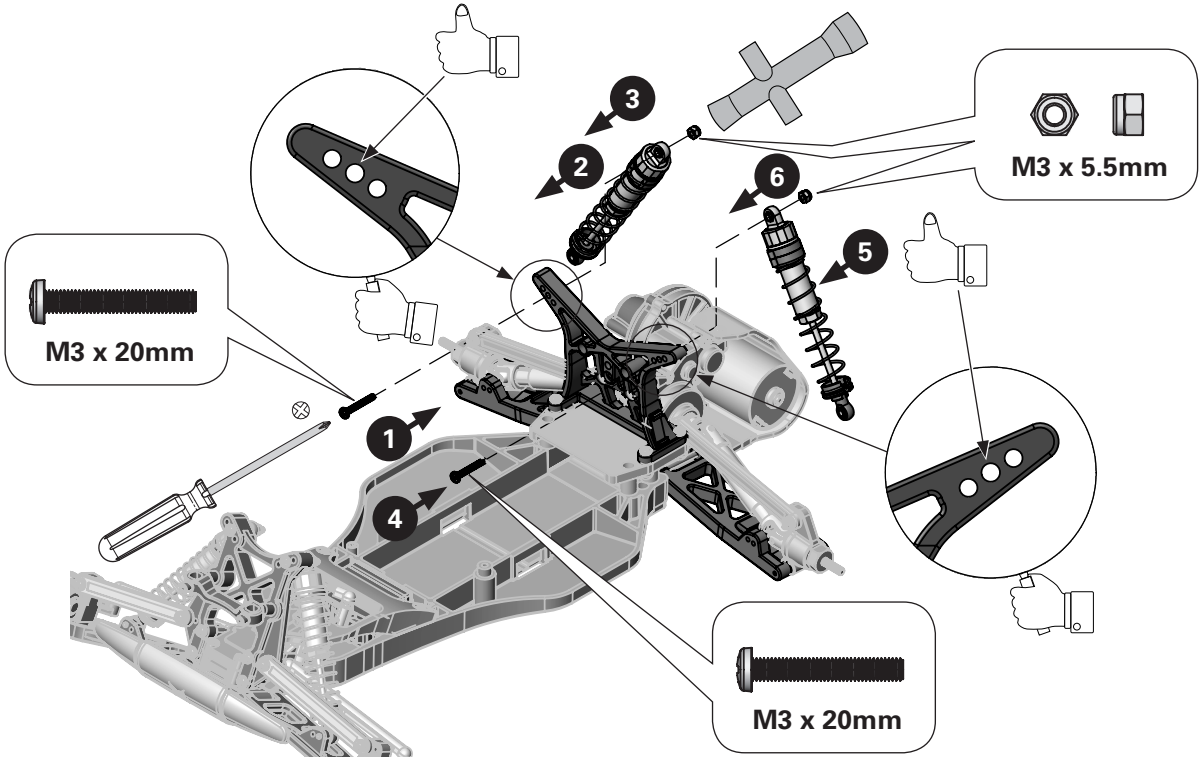
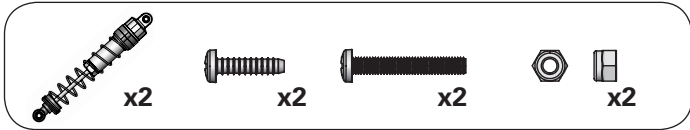
d18



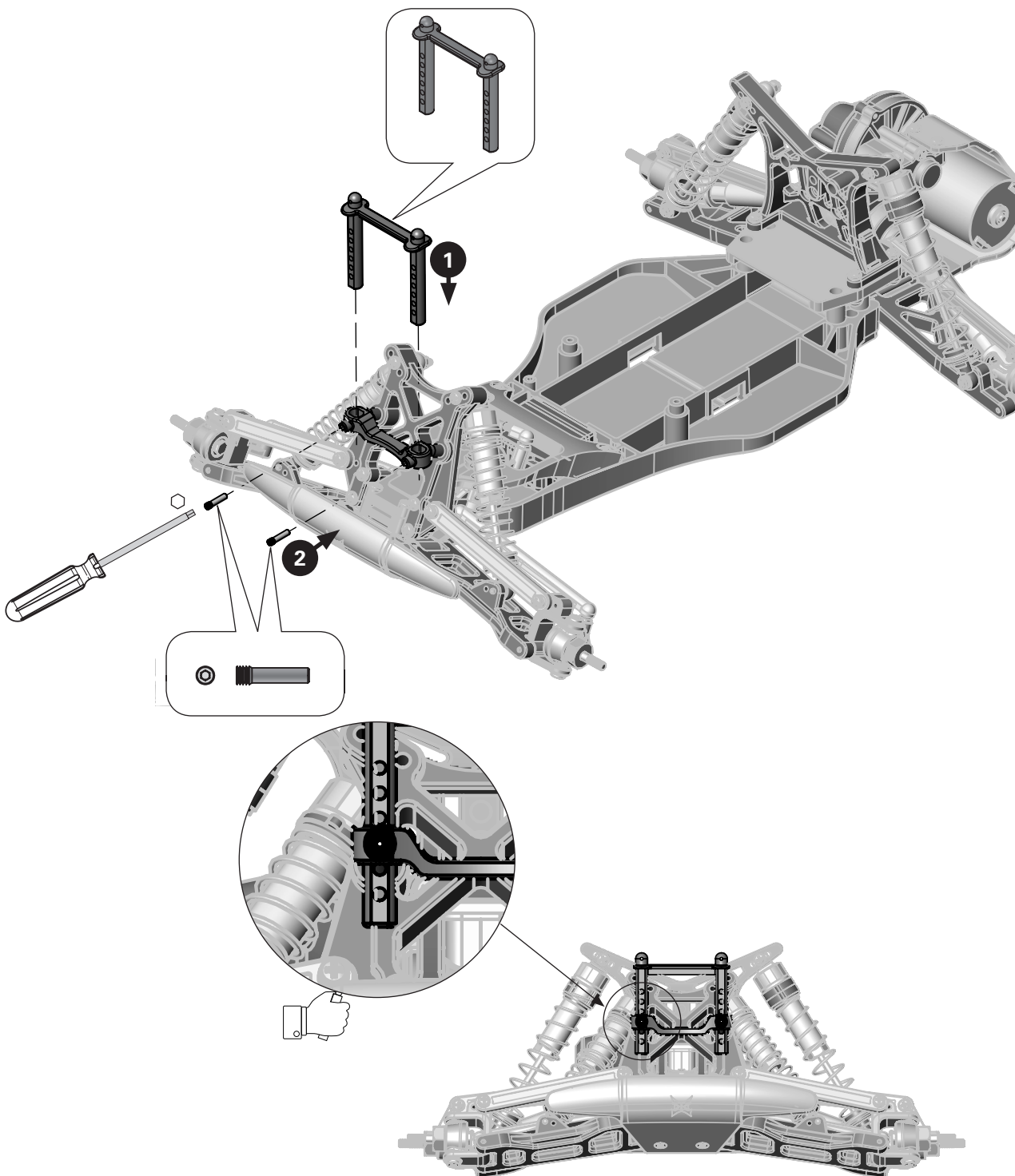
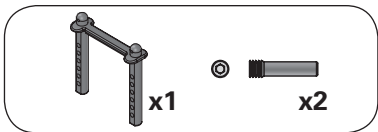
e1



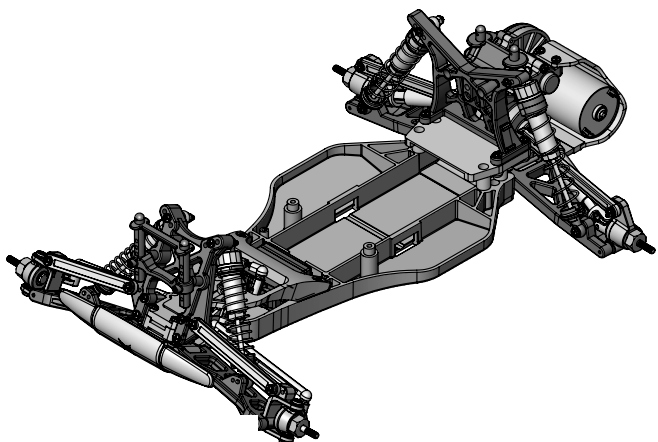
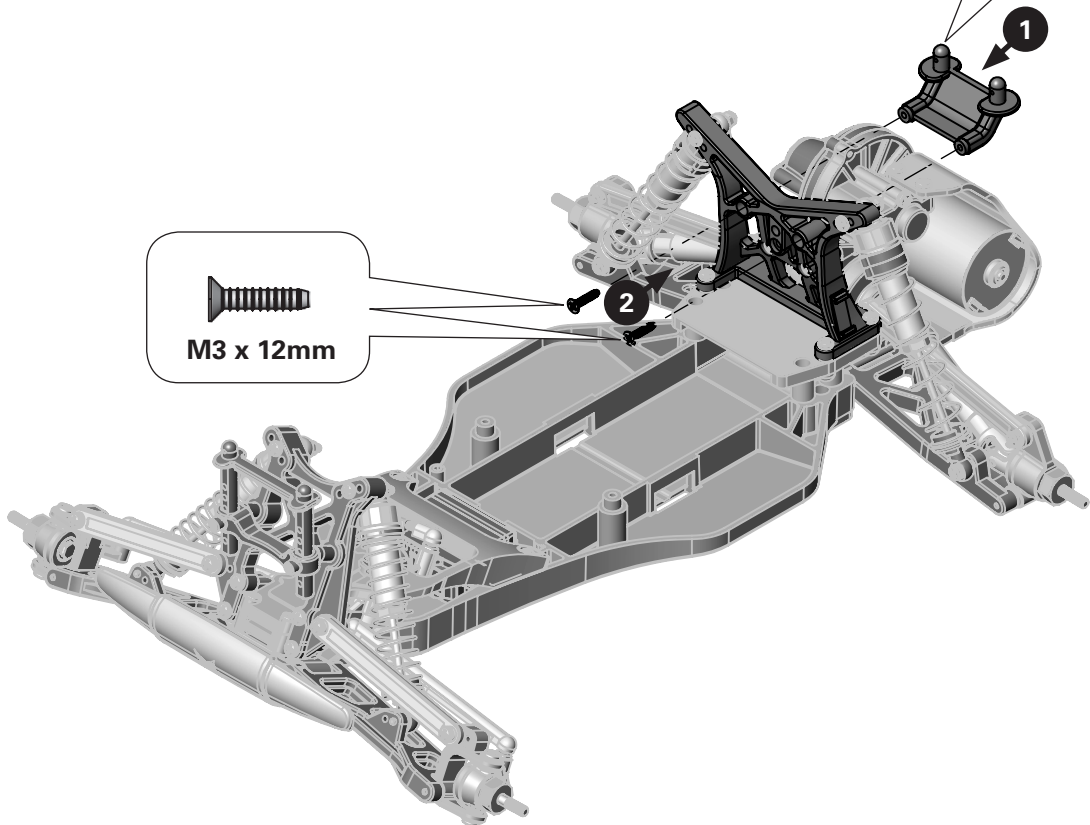
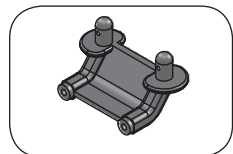
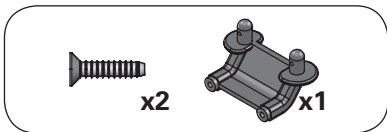
e2



f1

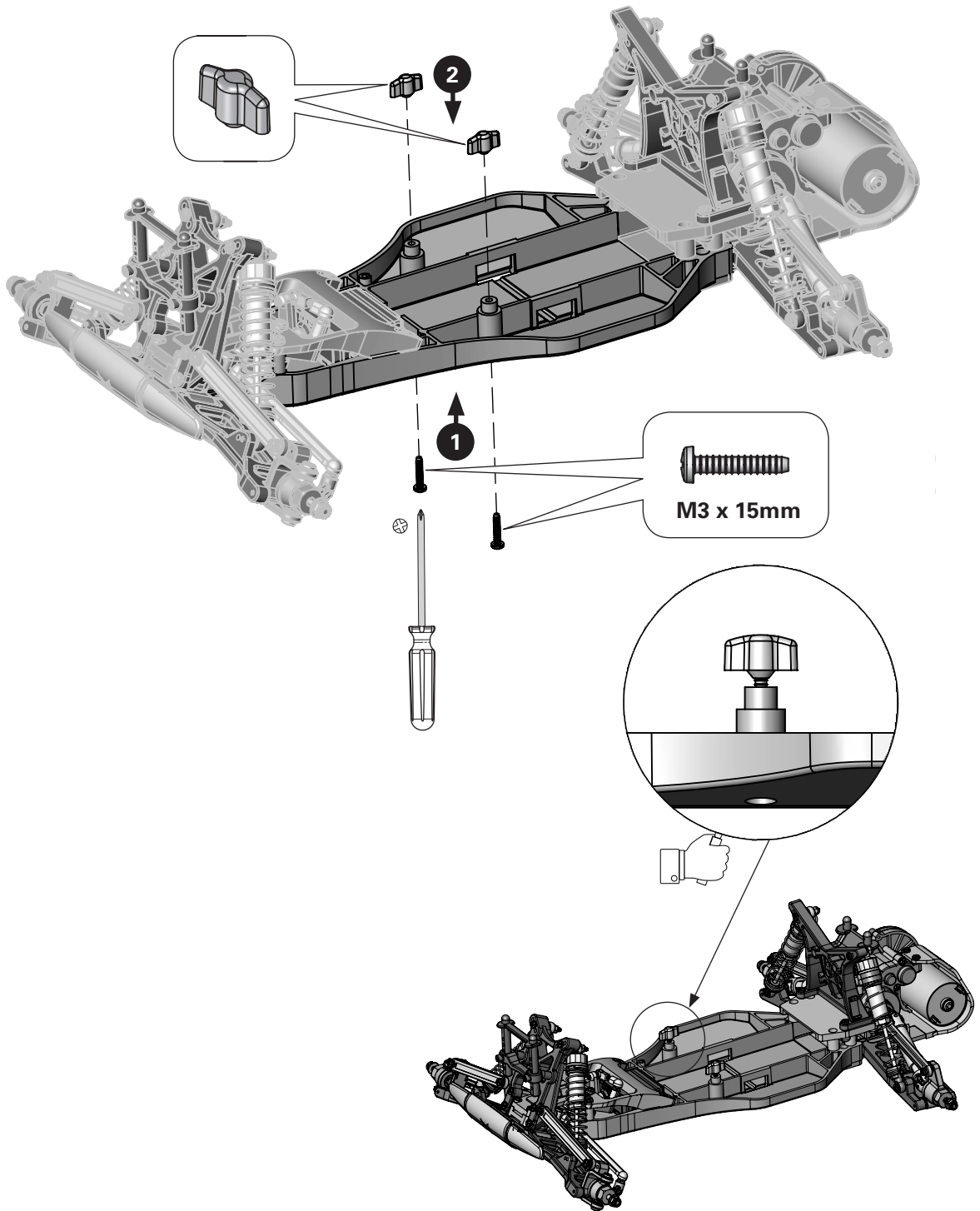


f2

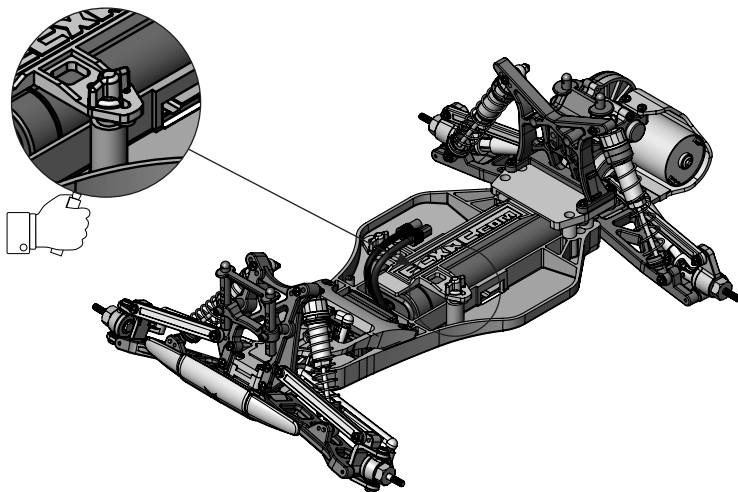
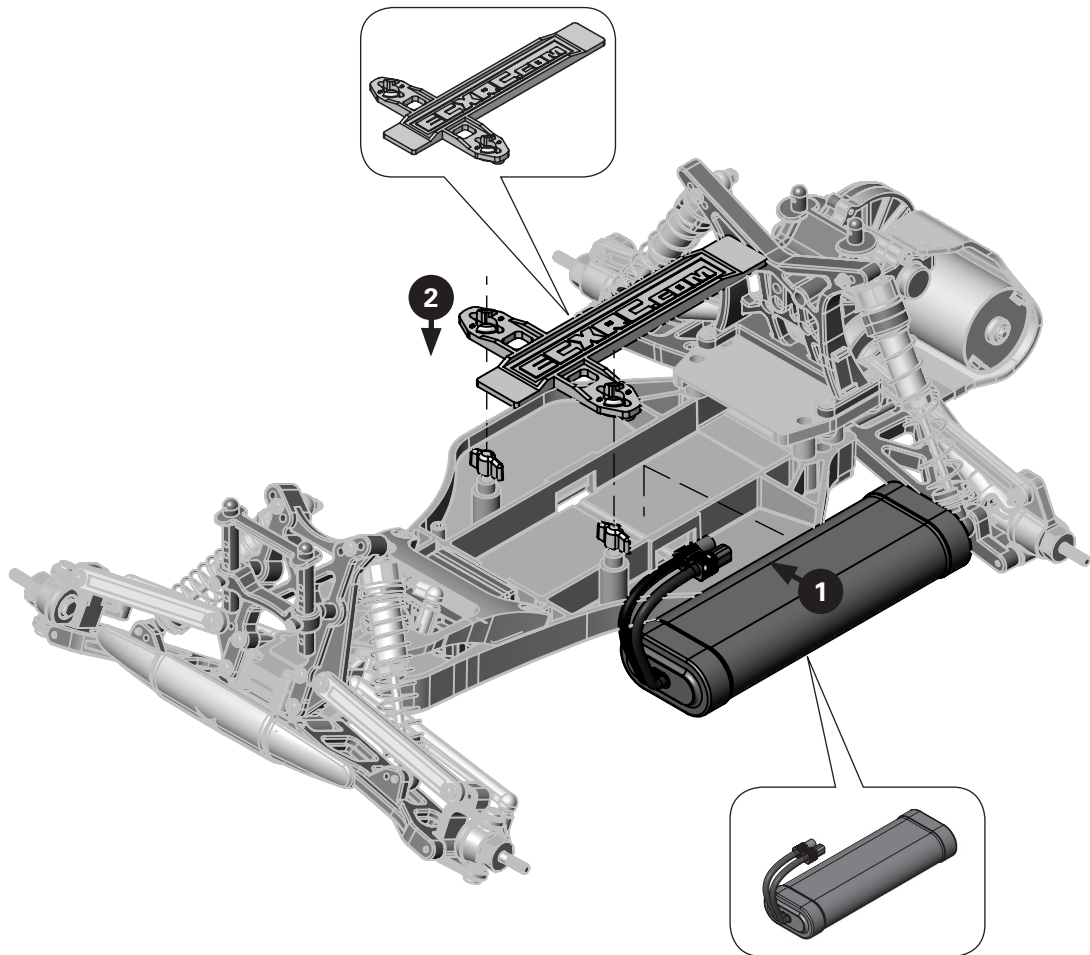
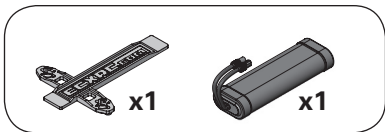




f3

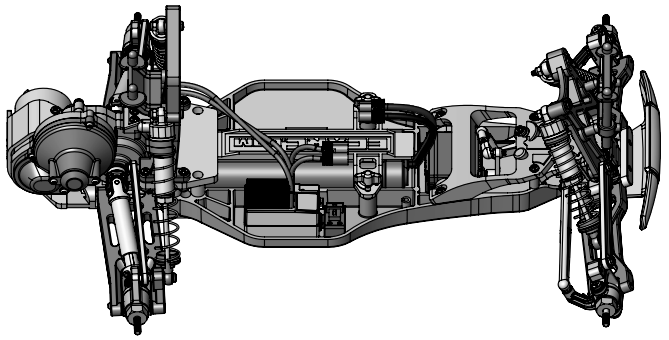
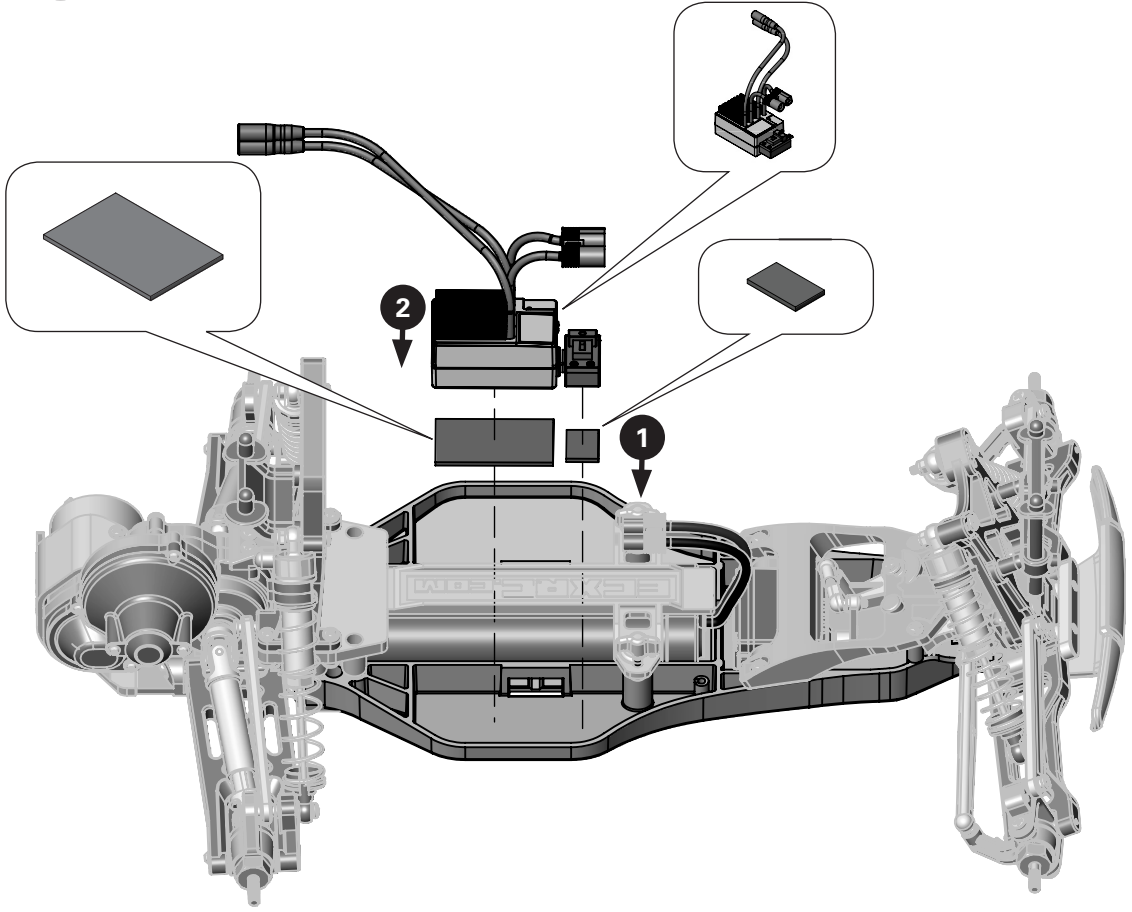
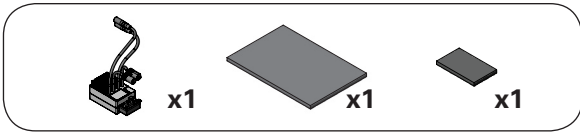


f4

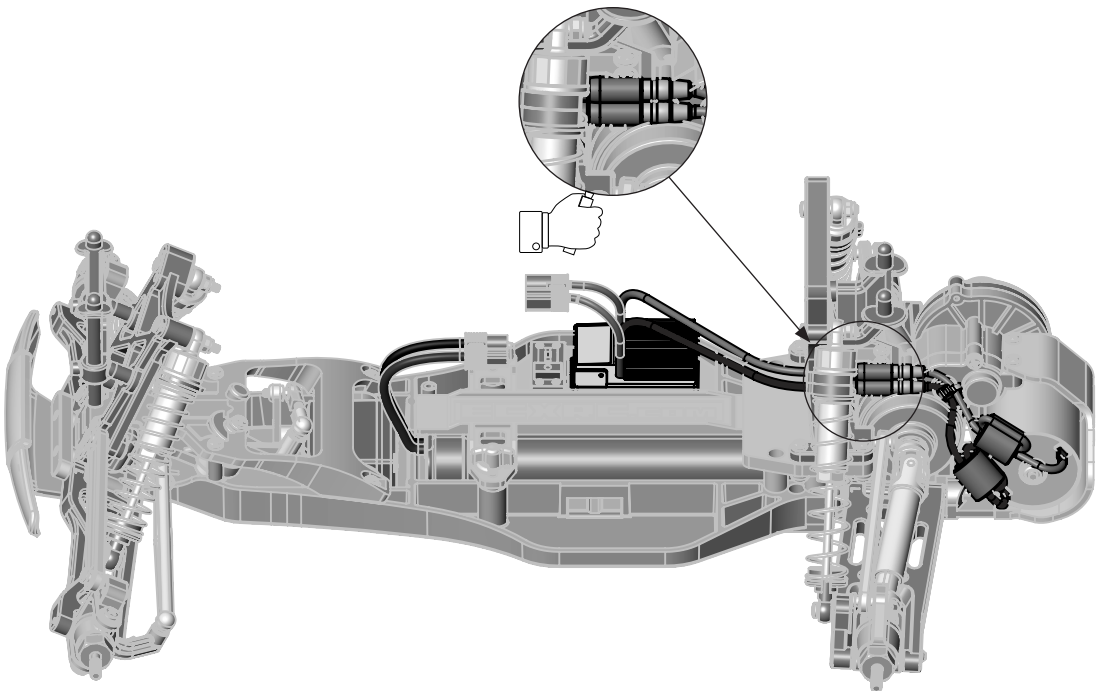
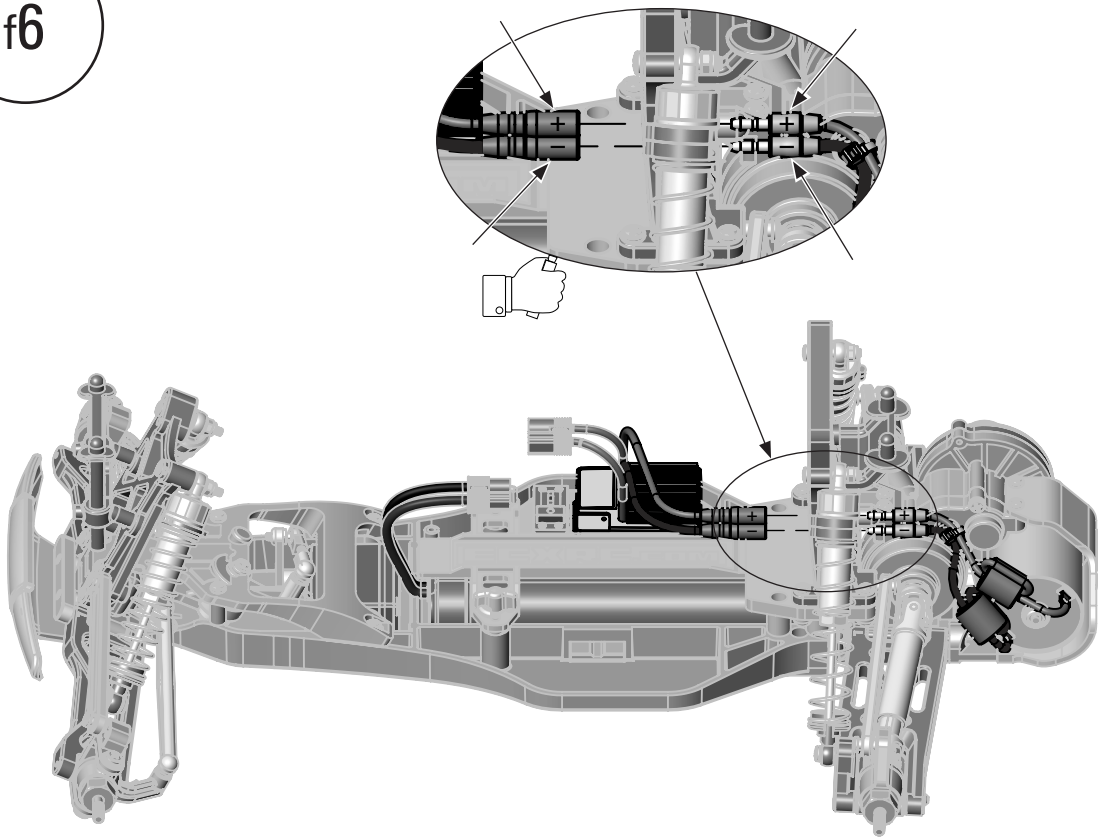




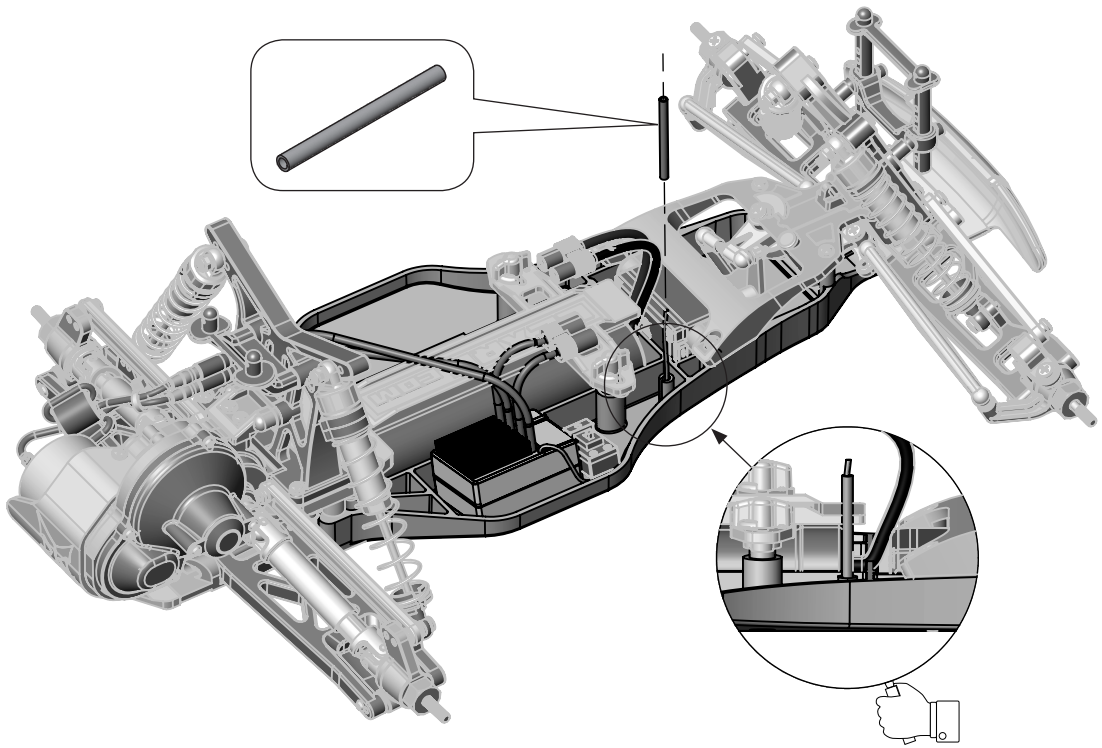
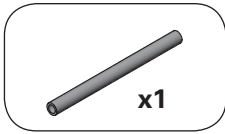
f5



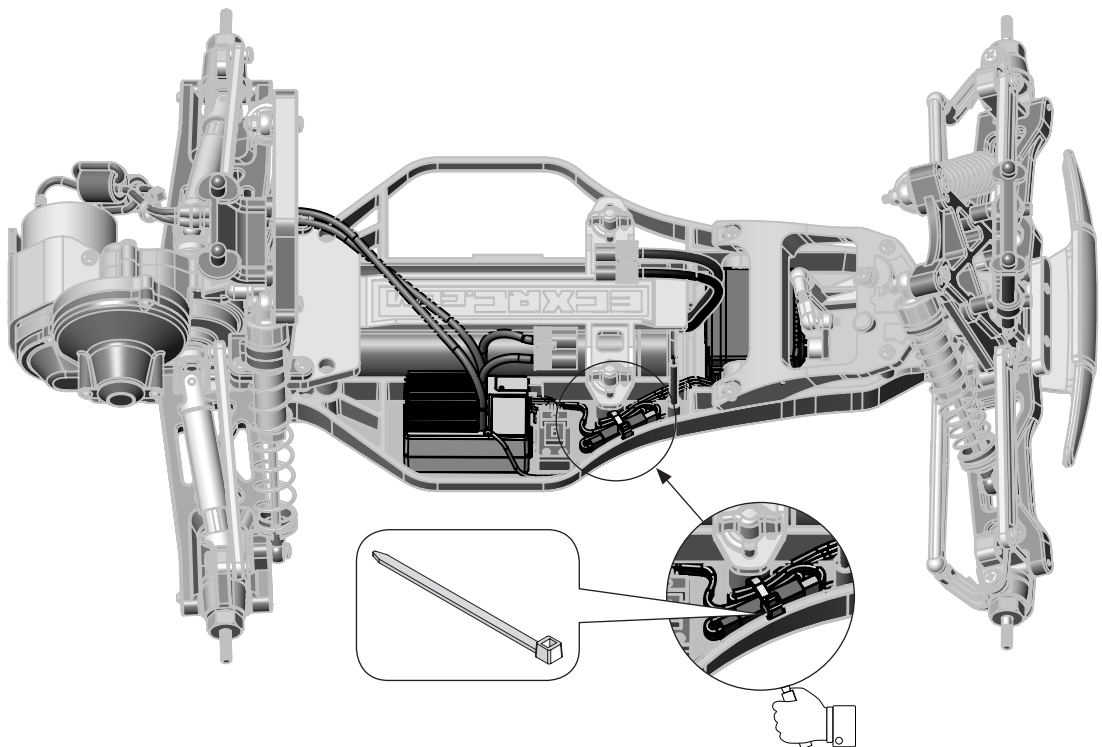
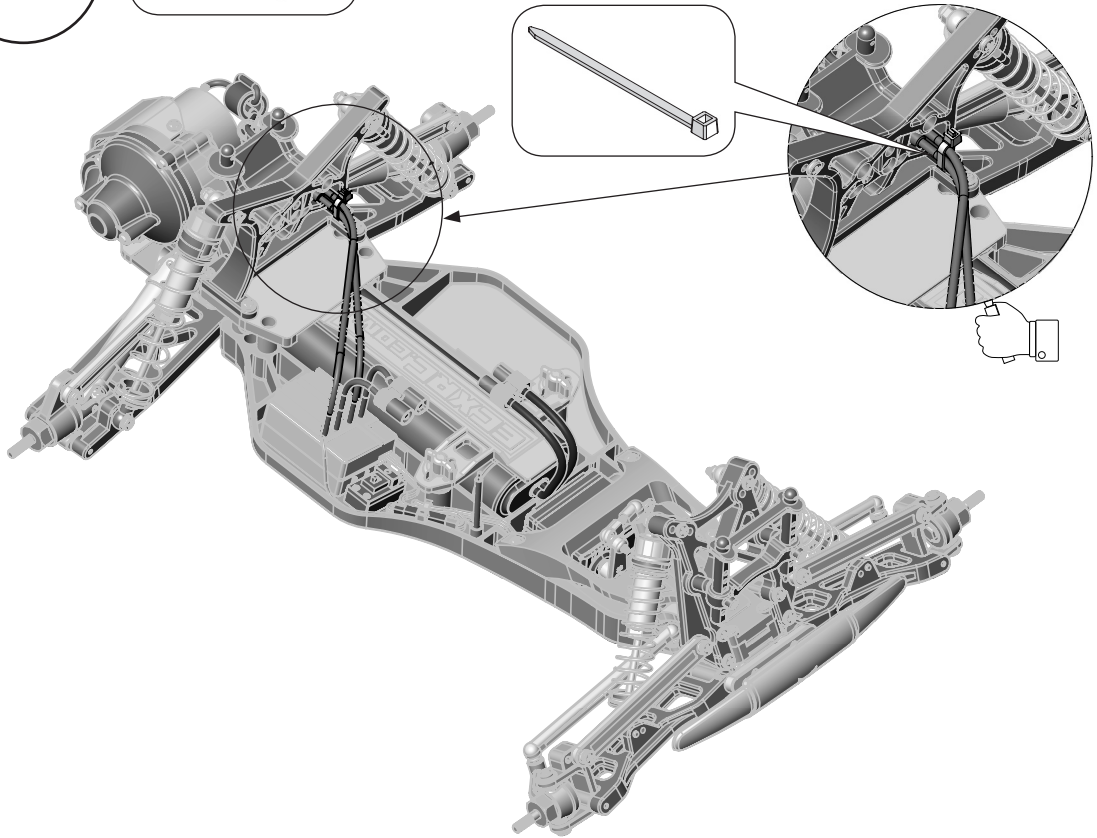
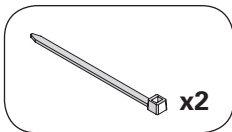
f6



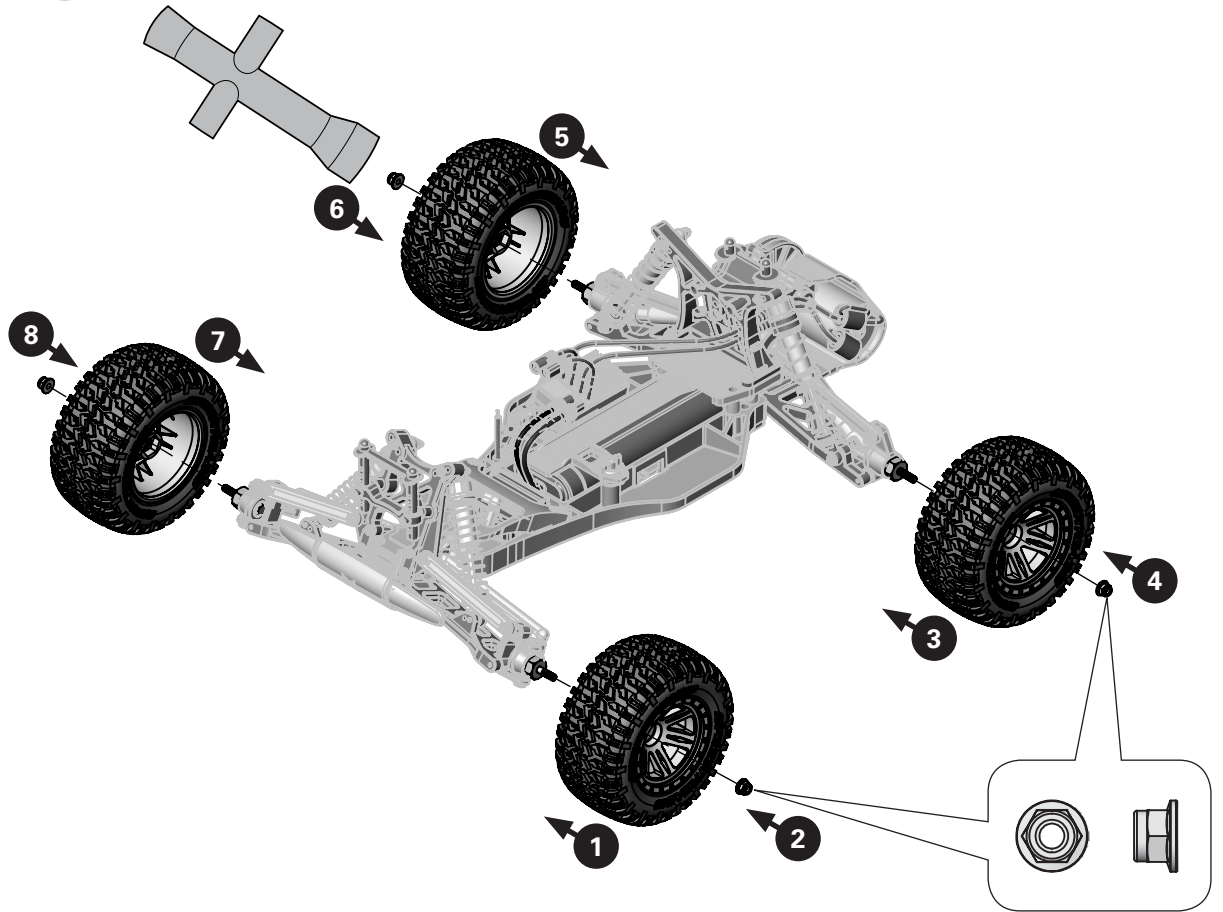
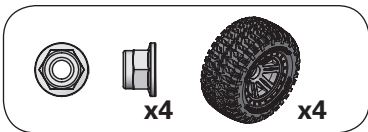
f7



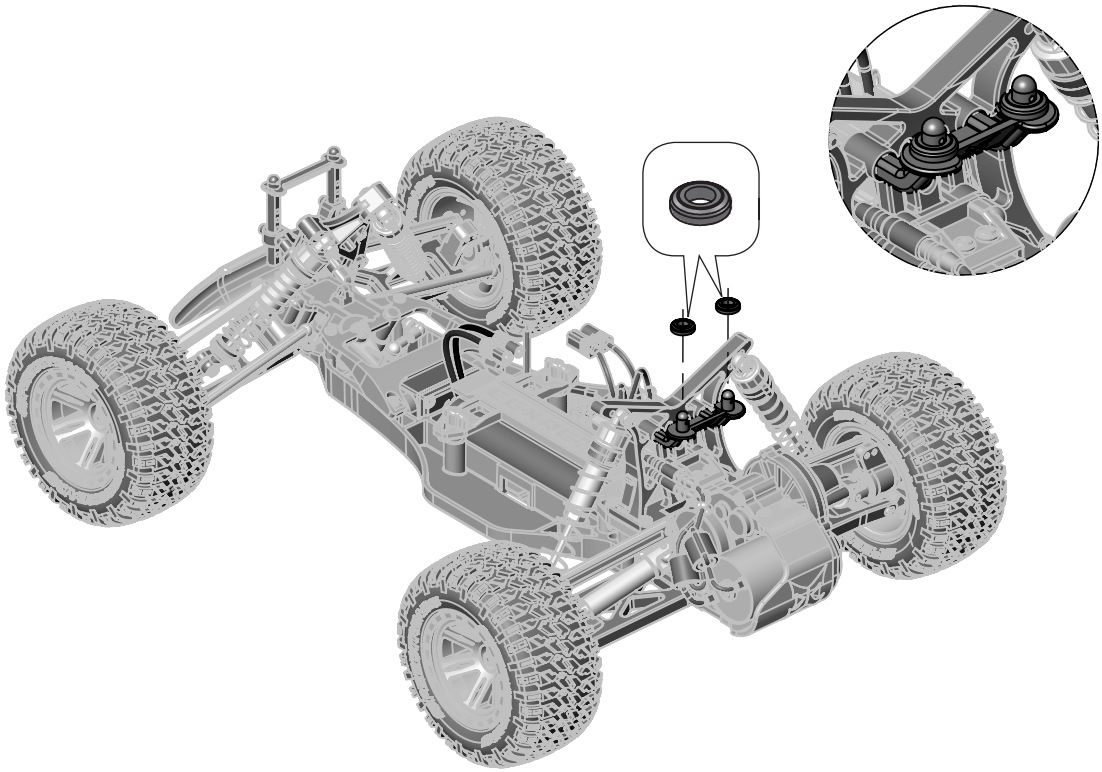
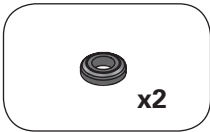
f8



f9



f10



f11

