



Instruction Manual Book

Item code: BH173

SUPER TUCANO

Glow and EP

95% PRE BUILT
ARF
ALMOST READY TO FLY



**OPTION ELECTRIC RETRACT GEAR (NOT INCLUDING).
ONLY INCLUDING CNC SUSPENSION METAL STRUTS.
ALL Balsa – PLYWOOD CONSTRUCTION.
COVERED WITH ORACOVER.**

95% ALMOST READY TO FLY

SPECIFICATION

- Wingspan: 1,730 mm (68.1in).
- Length: 1,752 mm (67in).
- Weight: 4.7 kg (10.34lbs).
- Wing area: 47.6 dm².
- Wing loading: 98.74.g/dm².
- Servo mount: 42mm x 21mm.
- Spinner: 70mm
- Wing type: NacaAirfoil.
- Gear type: Electric retract gear,
size: (92.2 x 51 x 30.6)mm(not included).
CNC Suspension Metal Struts (included).

Parts listing required (not included):

- Radio: 07 channels.
- Servo: 08 servos.
- Engine: 65-95 2 stroke, 15cc gas.
- Motor: Brushless Outrunner 1200-2200W, 650KV.
- Propeller: Suit with your engine.

Recommended motor and battery set up (not included):

- Motor: RIMFIRE.60.
- Lipo cell: 6 cells 4,000-5,000mAh.
- Receiver battery: 6V/ 1200-2000mAh.
- ESC: 80A.

TABLE OF CONTENTS

- ▶ Symbols used throughout this instruction manual, comprise.....2
- ▶ Warranty.....3
- ▶ Disclaimer.....3
- ▶ Suggestion.....3
- ▶ Note.....3
- ▶ Safety precaution.....3
- ▶ Part listing (not included).....4
- ▶ Tools & supplies needed.....4
- ▶ Preparations.....6
- ▶ Installing the ailerons and flaps.....6
- ▶ Installing the ailerons and flaps servos.....6
- ▶ Installing the control horns and linkages.....8
- ▶ Installing the wheel well.....10
- ▶ Installing main gear.....11
- ▶ Installing the fuselage servos.....15
- ▶ Installing the engine mount.....16
- ▶ Installing the electric motor (EP version).....16
- ▶ Engine installation.....17
- ▶ Installing the throttle pushrod.....18
- ▶ Mounting the cowl.....21
- ▶ Installing the nose gear.....23
- ▶ Installing horizontal stabilizer.....26
- ▶ Installing the control horns and linkages.....27
- ▶ Installing the vertical stabilizer.....28
- ▶ Installing the switch, receiver and battery...29
- ▶ Wing attachment.....30
- ▶ Installing cockpit fuselage.....32
- ▶ Installing the spinner, propeller.....34
- ▶ Balancing.....36
- ▶ Lateral balance.....36
- ▶ Control throws.....36
- ▶ Pre-flight check.....36
- ▶ For your radio installation basic connection for airplane and adjustment of servos.....37
- ▶ Main gear dimensional detail.....38
- ▶ Decoration.....39
- ▶ Exploded view.....41

Academy of Model Aeronautics: If you are not already a member of the AMA, please join! The AMA is the governing body of model aviation and membership provides liability insurance coverage, protects modelers' rights and interests and is required to fly at most R/C sites.

Academy of Model Aeronautics
5151 East Memorial Drive Muncie IN 47302-9252

Tele. (800) 435-9262
Fax. (765) 741-0057

Or via the Internet at: <http://www.modelaircraft.org>



Symbols used throughout this instruction manual, comprise:

- | | | |
|---|---|---|
| Cut off excess. | Apply threadlocker (screw cement). | Must be purchased separately! |
| Cut off shaded portion carefully. | Apply instant glue (C.A glue, super glue). | Ensure smooth, non-binding movement when assembling. |
| Pay close attention here. | Apply epoxy glue. | Drill holes using the stated. (in this case 1.5mm Ø). |
| Take particular care here. | Assemble left and right sides the same way. | The number of times the same way Assembly (in this case twice). |
| Warning! ▶ Set all screws securely. If they come off during flight you will lose control of your aircraft! | | |

WARRANTY

Black Horse Model guarantees the component parts in this kit to be free from defects in both material and workmanship at the date of purchase by the purchaser.

This warranty does not cover cosmetic damage or damage due to acts of God, accident, misuse, abuse, negligence, commercial use, or modification of or to any part of the Product.

This warranty does not cover damage due to improper installation, operation, maintenance, or attempted repair by anyone other than Black Horse Model.

Return only the component part that is defective in materials or workmanship. Please pack the unit carefully and insure it, as this warranty does not cover loss or damage in transit.

DISCLAIMER

Read this disclaimer carefully before using this product. Please strictly follow the instruction manual to assemble and use this.

In that Black Horse Model has no control over the final assembly or material used for final assembly, Black Horse Model is not responsible for loss of use, or other incidental or consequential damages.

Furthermore, Black Horse Model cannot be held liable for personal injury or property damage caused by the use or misuse of Black Horse Model products. By the act of using the user-assembled products, the user accepts all resulting liability.

SUGGESTION

To avoid scratching your new airplane, do not unwrap the pieces until they are needed for assembly. Cover your workbench with an old towel or brown paper, both to protect the aircraft and to protect the table. Keep a couple of jars or bowls handy to hold the small parts after you open the bag.

NOTE:

Please trial fit all the parts. Make sure you have the correct parts and that they fit and are aligned properly before gluing! This will assure proper assembly. This kit is hand made from natural materials, every plane is unique and minor adjustments may have to be made. However, you should find the fit superior and assembly simple.

The painted and plastic parts used in this kit are fuel proof. However, they are not tolerant of many harsh chemicals including the following: paint thinner, C/A glue accelerator, C/A glue debonder and acetone. Do not let these chemicals come in contact with the colors on the covering and the plastic parts.

Caution: This model is not a toy!

If you are a beginner to this type of powered model, please ask an experienced model flyer for help and support. If you attempt to operate the model without

knowing what you are doing you could easily injure yourself or somebody else. Please keep your safety and well-being in mind at all times.

Important: Before you start construction

Even if you have built a large number of RC models please read right through these instructions and check all the kit components against the parts list. We have taken great trouble to keep construction as simple as possible, without making any compromises in the area of safety.

Note regarding the film covering

Minor creases or bubbles may develop in the film covering due to major fluctuations in weather conditions (temperature, humidity etc.); in rare cases you may even find a slight warp in a component. These minor faults are in the nature of film-covered built-up wooden structures, and can easily be corrected using a heat gun, as commonly used for modelling.

Creases: Blow warm air over the area and rub down with a soft cloth.

Wing wrap: Hold the panel twisted gently in the opposite direction to the wrap, and apply warm air to remove the creases from the covering.

Caution! do not heat the film more than is absolutely necessary. If the air or the iron is too hot, the film may melt and holes may be formed.

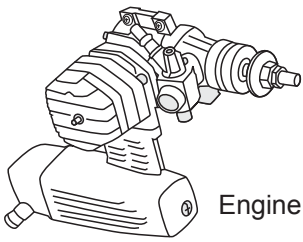
This model is highly pre-fabricated and can be built in a very short time. However, the work which you have to carry out is important and must be done carefully. The model will only be strong and fly well if you complete your tasks competently - so please work slowly and accurately.

When self-tapping screws have to be screwed into wood, apply a little white glue to prevent them shaking loose: just squirt white glue into the hole and fit the screw

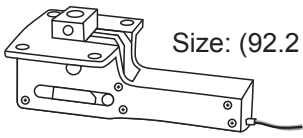
SAFETY PRECAUTION:

- This model is not a toy and pilots must be over the age of 14.
- Be sure that no other flyers are using your radio frequency.
- Do not smoke near fuel.
- Store fuel in a cool, dry place, away from children and pets.
- Wear safety glasses.
- The glow plug clip must be securely attached to the glow plug.
- Do not flip the propeller with your fingers.
- Keep loose clothing and wires away from the propeller.
- Do not start the engine if people are near. Do not stand in line with the side of the propeller.
- Make engine adjustments from behind the propeller only. Do not reach around the spinning propeller.
- Moisture causes damage to electronics. Avoid water exposure to all equipment not specifically designed and protected for this purpose.

PARTS LISTING (NOT INCLUDED).




Engine: 65 - 95 1 pcs.

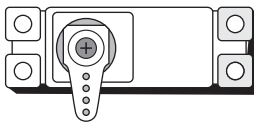


Size: (92.2 x 51 x 30.6)mm.
3 pcs.

LiPo. 6S - 22.2V - 4000-5000mAh.

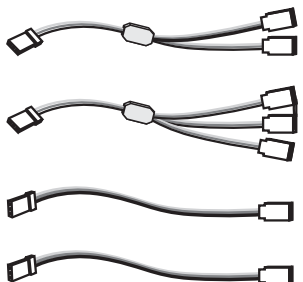


1 Packs




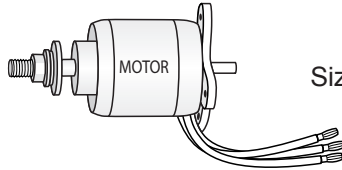
Servos Size: (39.9 x 20.1 x 38.1)mm.
Torque: 4.8V (5.18kg/cm), 6V (6.48 kg/cm).... 8 pcs

Servo extension leads.




..... 2 pcs.
..... 1 pcs.
220mm 2 pcs.
190mm 2 pcs.

Propeller. Suit with your engine.





MOTOR
Size: 60 1 pcs.

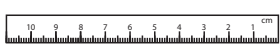


ESC
ESC: 80A 1 pcs.


TOOLS & SUPPLIES NEEDED.




CA
Medium C/A glue



Straight edge ruler.

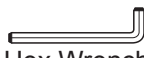


EPOXY A




EPOXY B


30 minute epoxy.
5 minute epoxy.




Hex Wrench.




Hand or electric drill.



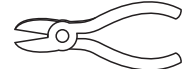
Threadlocker (screw cement).




2 bender plier




Screw driver



Wire cutters.



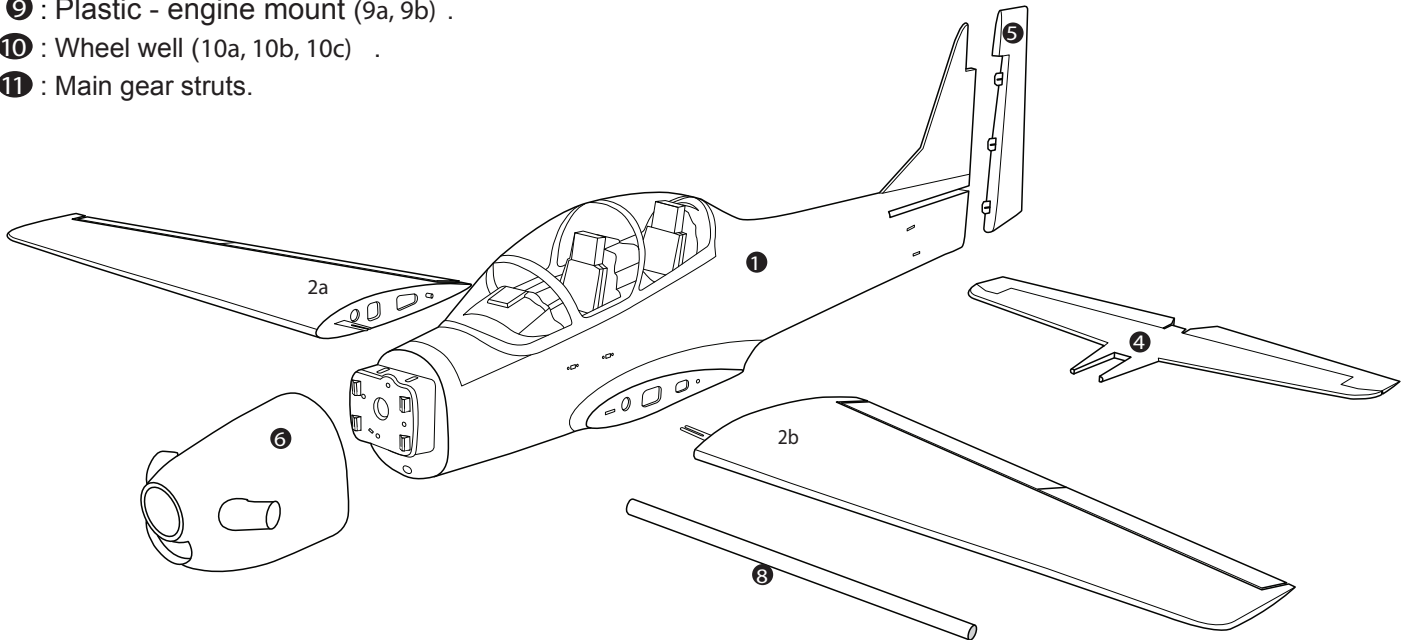
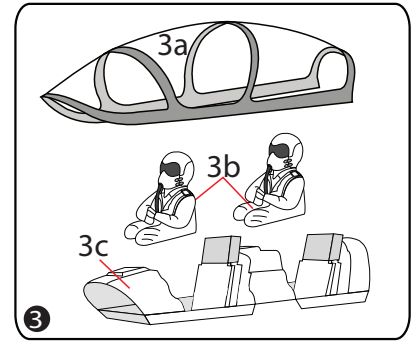
Modeling knife.



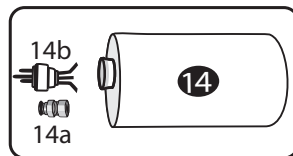
Some more tools.

- ◆ Assorted drill bits.
- ◆ Masking tape.
- ◆ Paper towels.
- ◆ Rubbing alcohol
- ◆ 90° square or builder's triangle.

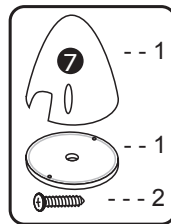
- 1 : Fuselage.
- 2 : Wing panel (2a, 2b).
- 3 : Cockpit fuselage (3a: Canopy, 3b: Pilot, 3c: Cockpit).
- 4 : Horizontal stabilizer.
- 5 : Vertical stabilizer.
- 6 : Cowling.
- 7 : Spinner.
- 8 : Aluminium wing dihedral brace.
- 9 : Plastic - engine mount (9a, 9b) .
- 10 : Wheel well (10a, 10b, 10c) .
- 11 : Main gear struts.



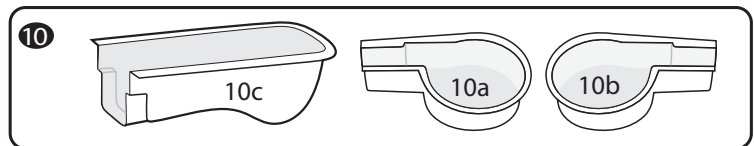
- 12 : Nose gear truts.
- 13 : Wheels (13a, 13b, 13c).
- 14 : Fuel Tank (14a: Clunk, 14b: Stopper (three line)).
- 15 : Wood - motor mount
- 16 : Landing gear mount.



| | |
|-------------------|--------------------|
| 4mm Hex Nut - - 8 | 4mm Flat Washer |
| 4x30mm Cap Screw | ----- 8 |
| ----- 8 | 4mm Spring Washer |
| | ----- 4 |
| | 500mm Pushrod wire |
| | ----- 1 |
| | Connector - - 1 |
| | 3 x 12mm Tp Screw |
| | ----- 4 |



| | |
|------------------|-------------------|
| 4x70mm Cap Screw | M4 Blind Nut |
| ----- 4 | ----- 4 |
| 4x20mm Cap Screw | 10x5mm Aluminum |
| ----- 4 | ----- 4 |
| | 10x50mm Aluminum |
| | ----- 4 |
| | 4mm Flat washer |
| | ----- 8 |
| | 4mm Washer |
| | ----- 4 |
| | 4mm Spring Washer |
| | ----- 8 |

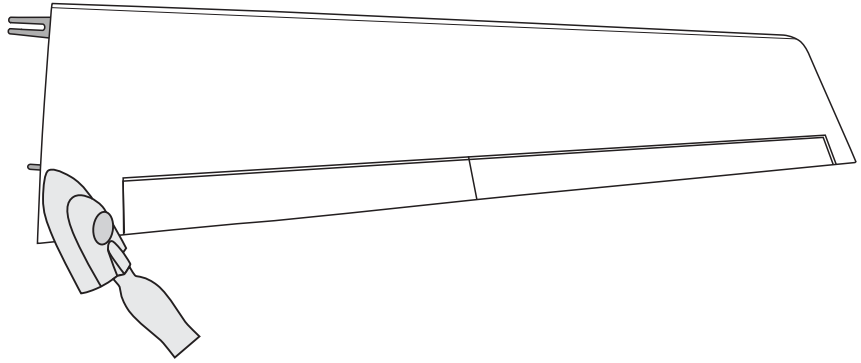
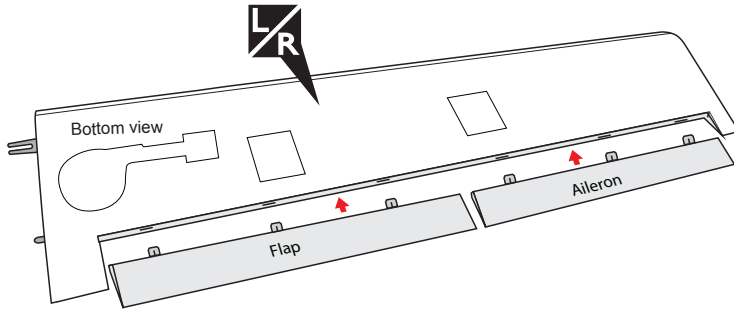


| | |
|-------------------------|--------------------|
| Nylon Clevis | Horn |
| ----- 7 | ----- 7 |
| 100mm Push rod | Flaslink |
| ----- 4 | ----- 6 |
| 1000mm Push rod | 2 x 10mm Screw |
| ----- 3 | ----- 16 |
| Duo rod connection lock | 1.7x8 mm Cap Screw |
| ----- 1 | ----- 7 |

| | |
|------------------|--|
| 3x15mm Screw | |
| ----- 12 | |
| 5x35mm Cap Screw | |
| ----- 3 | |
| 5mm Flat washer | |
| ----- 3 | |
| 600mm Cable | |
| ----- 2 | |
| 3mm Hex Nut | |
| ----- 2 | |
| ----- 4 | |
| Cab link - 2 | |
| Metal Clevis | |
| ----- 2 | |

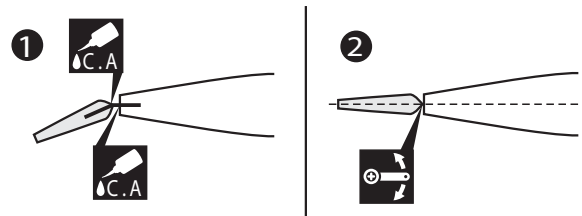
PREPARATIONS:

Use a covering iron with a covering sock on high heat to tighten the covering if necessary. Apply pressure over sheeted areas to thoroughly bond the covering to the wood.

**INSTALLING THE AILERONS AND FLAPS.**

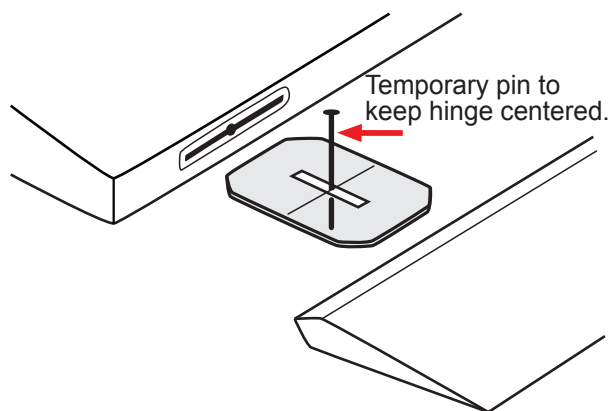
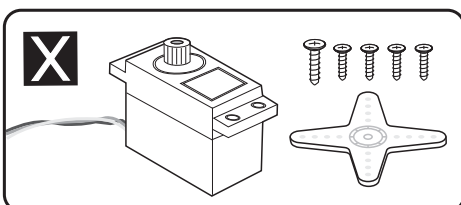
1) Test fit the ailerons to the wing with the hinges. If the hinges don't remain centered, stick a pin through the middle of the hinge to hold it in position.

2) Apply drops of thin CA to the top and bottom of each hinge. Do not use CA accelerator. After the CA has fully hardened, test the hinges by pulling on the aileron.

**Warning!**

► Make certain the hinges are adequately secured with glue. If they come loose in flight accidents may result.

- ① Secure nylon hinges with instant glue, being careful not to glue the wing and aileron together.
- ② Align the center line of main wing with aileron.

**INSTALLING THE AILERONS AND FLAPS SERVOS**

1. Install the rubber grommets and brass eyelets onto the aileron servos.

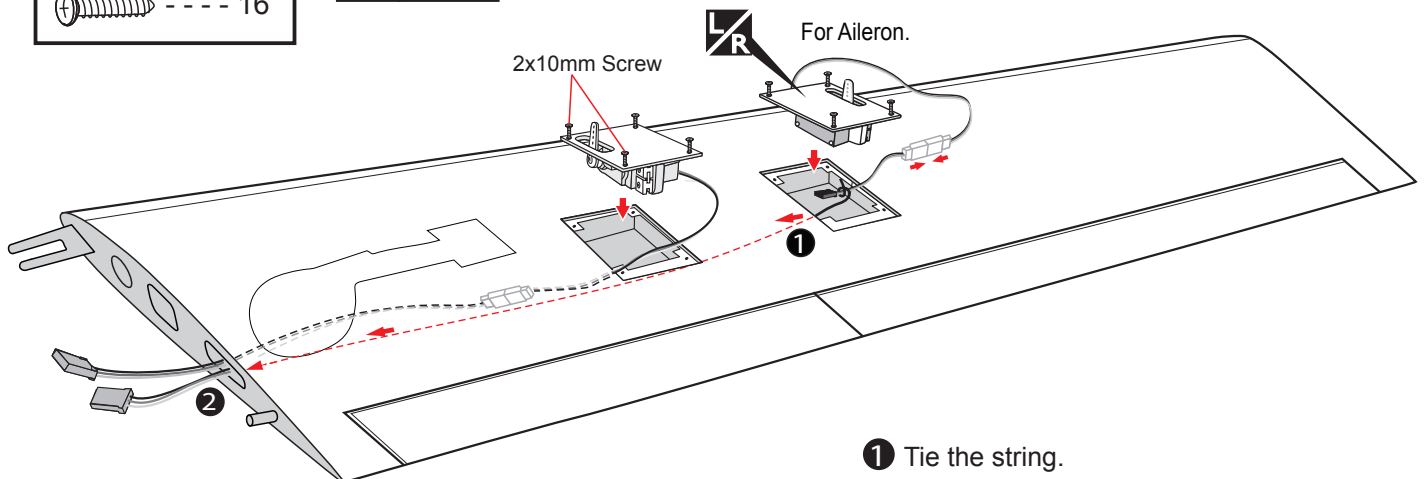
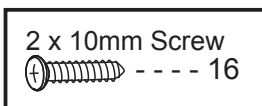
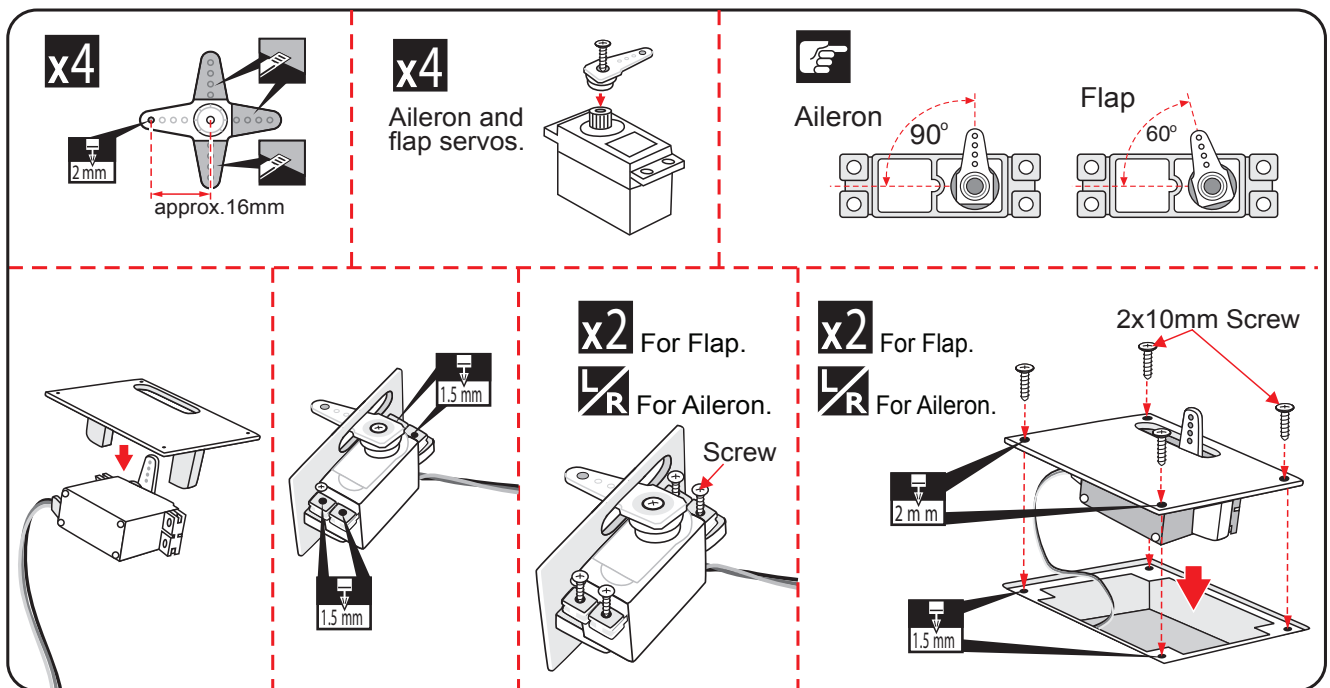
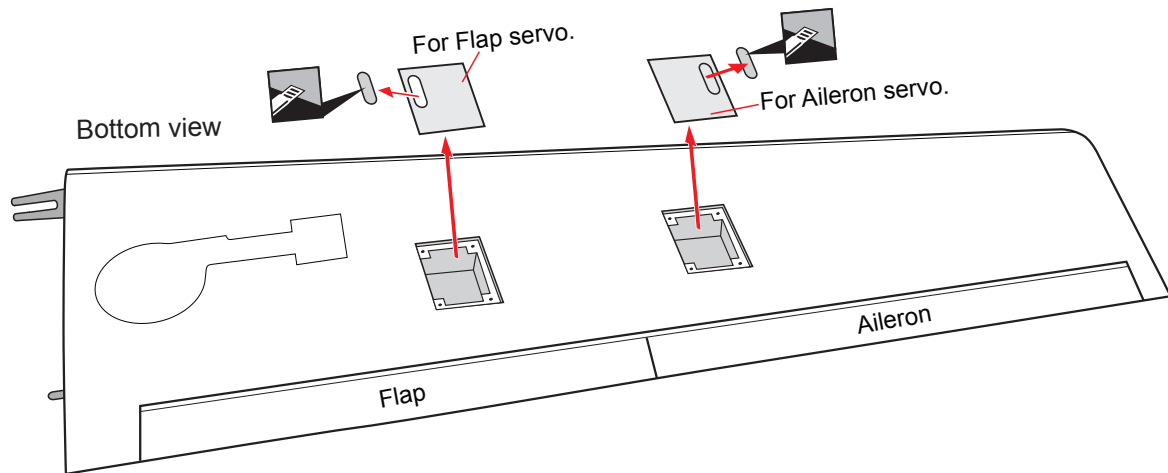
2. Using a modeling knife, remove the covering from over the pre-cut servo arm exit hole on the aileron servo tray / hatch. This hole will allow the servo arm to pass through when installing the aileron pushrods.

3. Place the servo into the servo tray. Center the servo within the tray and drill 1.5mm pilot holes through the block of wood for each of the four mounting screws provided with the servo.

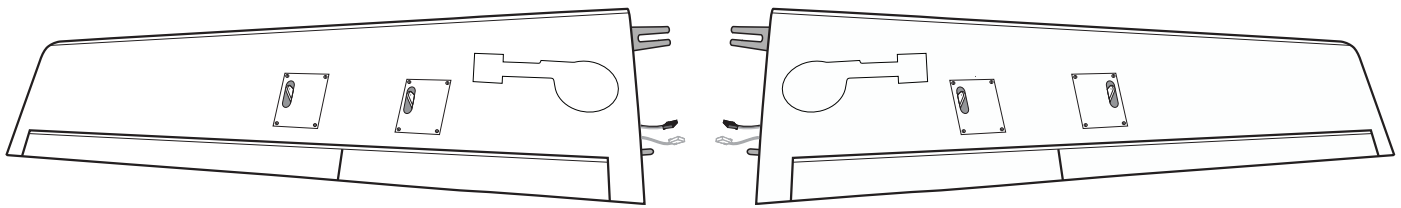
4. Using the thread as a guide and using masking tape, tape the servo lead to the end of the thread: carefully pull the thread out. When you have pulled the servo lead out, remove the masking tape and the servo lead from the thread.

5. Place the servo into the servo tray/ hatch into the servo box on the bottom of the wing and drill 1.5mm pilot holes through the tray and servo box for each of the four mounting screws. Secure the servo tray in place using the mounting screws provided.

6. Repeat step # 2 - # 5 to install the second aileron servo in the opposite wing half.



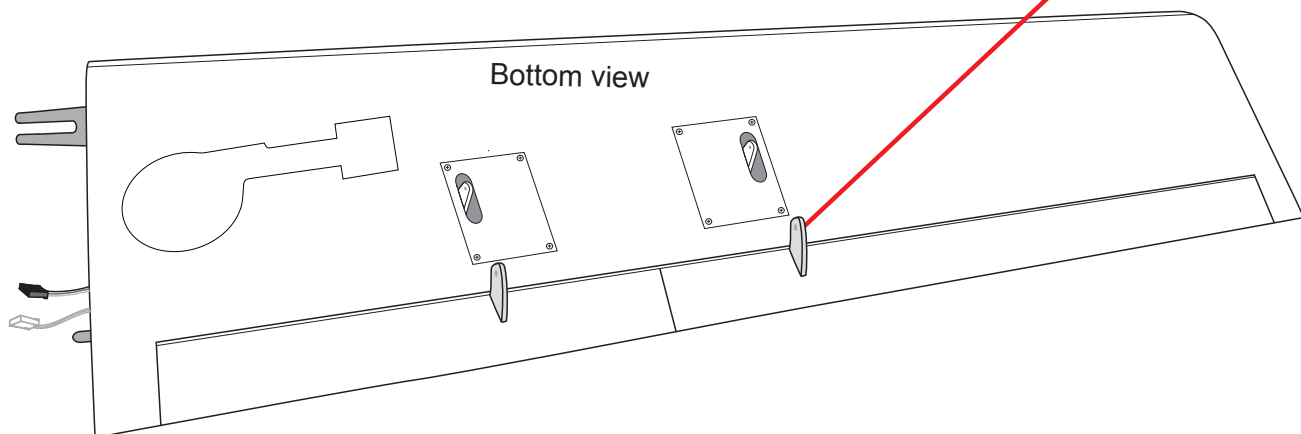
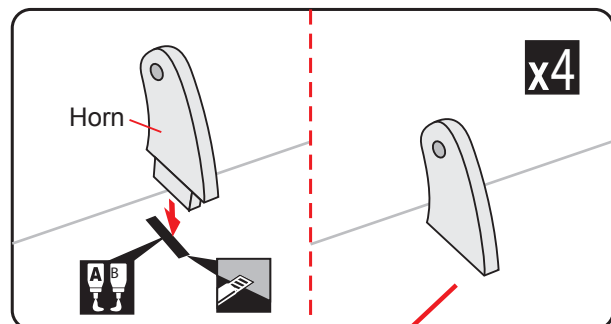
- 1 Tie the string.
- 2 Pull out servo cord with string.



Bottom view

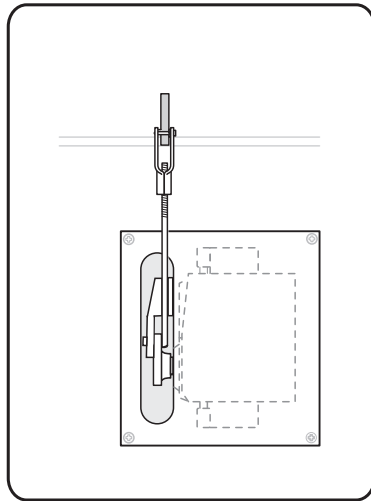
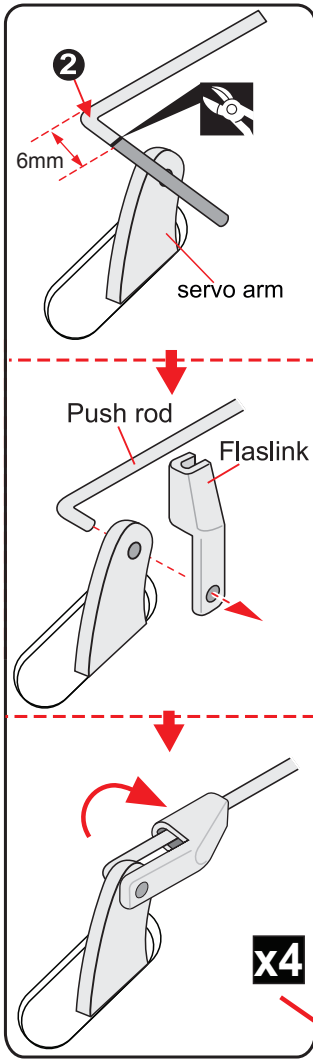
INSTALLING THE CONTROL HORNS AND LINKAGES

| | | |
|--------------------|-------|---|
| Nylon Clevis | ----- | 4 |
| 100mm Push rod | -- | 4 |
| Flaslink | ----- | 4 |
| Horn | ----- | 4 |
| 1.7x8 mm Cap Screw | ----- | 4 |

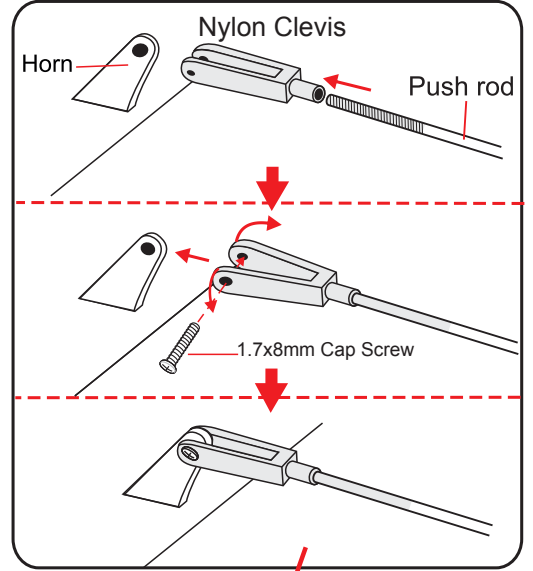


Bottom view

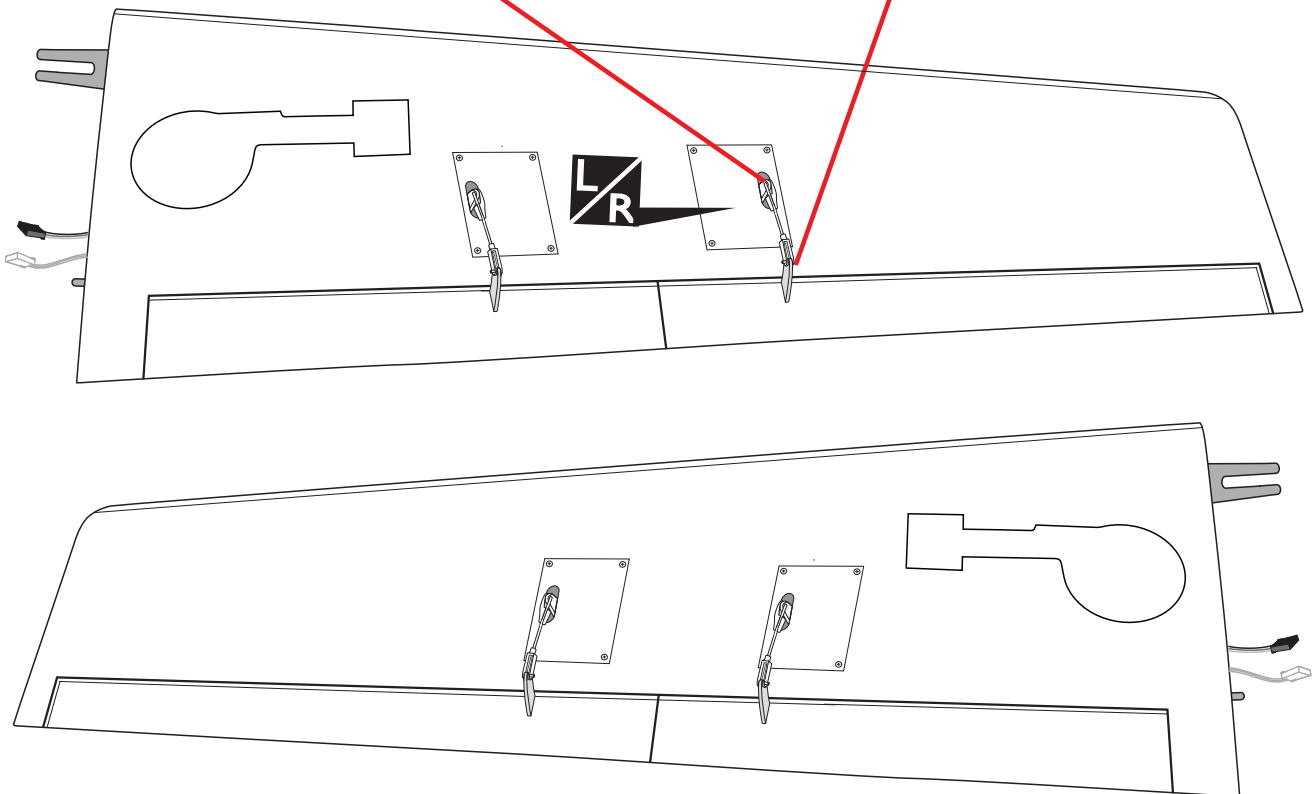
- 1) Working with the aileron linkage for now, thread one nylon clevis at least 14 turns onto one of the 2mm x 180mm threaded wires.
- 2) Attach the clevis to the outer hole in the control horn.
- 3) Locate one nylon servo arm, and using wire cutters, remove all but one of the arms. Using a 2mm drill bit, enlarge the third hole out from the center of the arm to accommodate the aileron pushrod wire.
- 4) Plug the aileron servo into the receiver and center the servo. Install the servo arm onto the servo. The servo arm should be perpendicular to the servo and point toward the middle of the wing.
- 5) Center the aileron and hold it in place using a couple of pieces of masking tape.
- 6) With the aileron and aileron servo centered, carefully place a mark on the aileron pushrod wire where it crosses the hole in the servo arm.
- 7) Using pliers, carefully make a 90 degree bend down at the mark made. Cut off the excess wire, leaving about 6mm beyond the bend.
- 8) Insert the 90 degree bend down through the hole in the servo arm. Install one nylon snap keeper over the wire to secure it to the arm. Install the servo arm retaining screw and remove the masking tape from the aileron.
- 9) Repeat step # 4 - # 8 to install the second aileron linkage. After both linkages are completed, connect both of the aileron servo leads using a Y-harness you have purchased separately.



- 1 Mark the spot to attach
- 2 Bend 90°

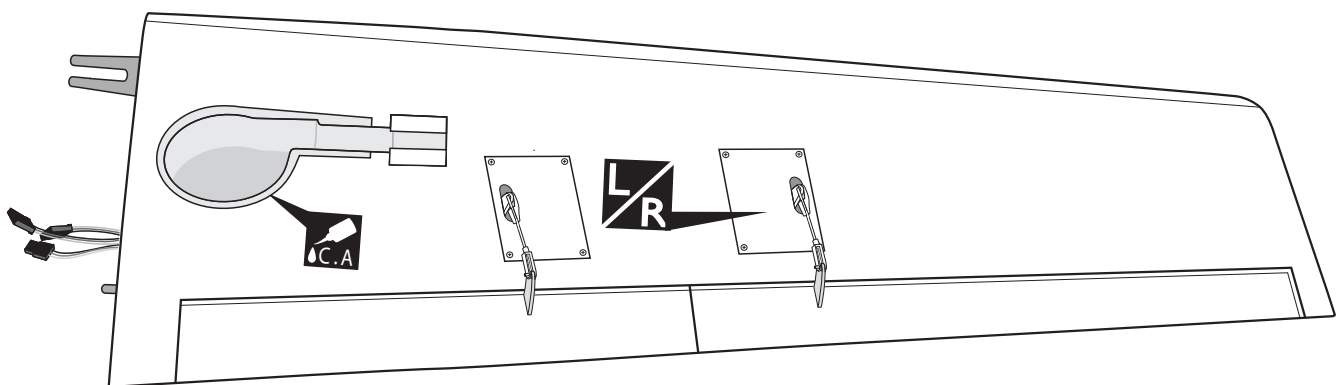
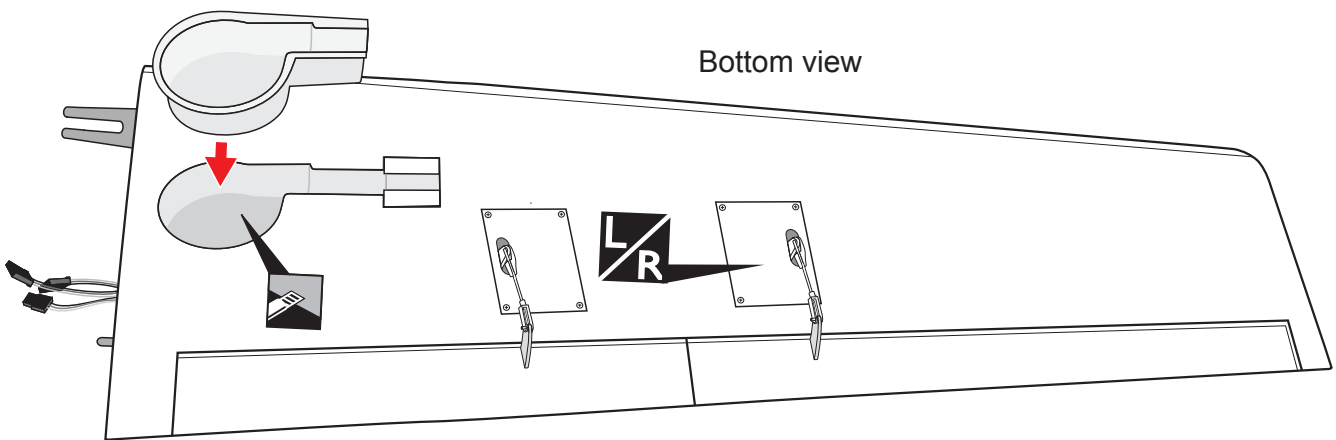
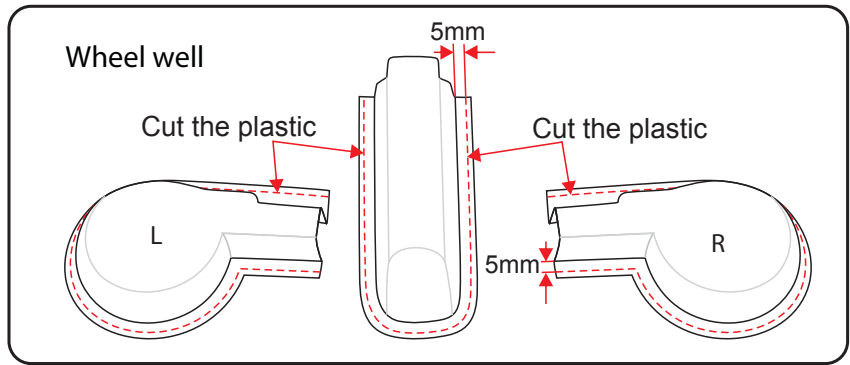


Bottom view

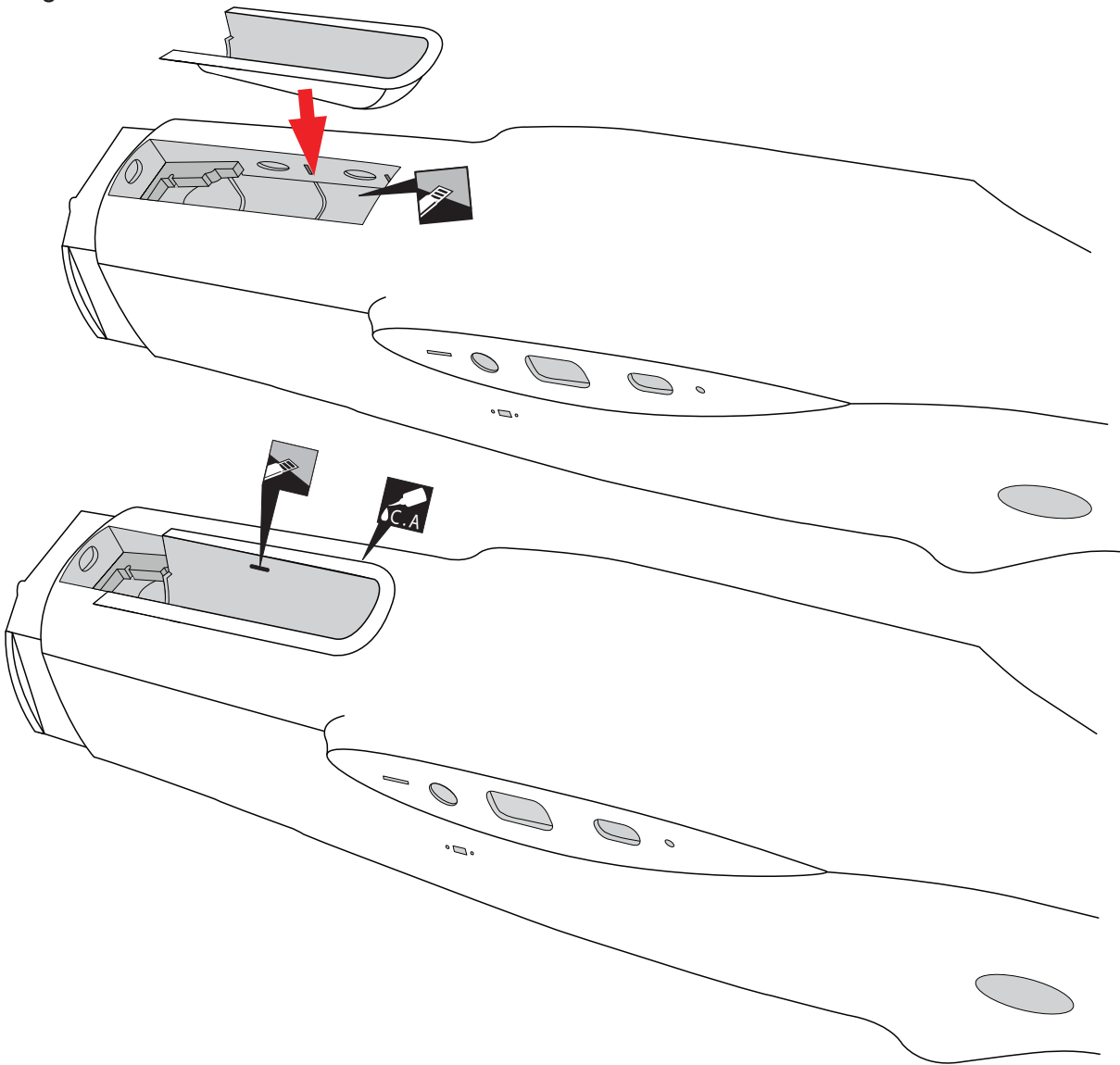


INSTALLING THE WHEEL WELL

* Using a modeling knife, carefully remove the film covering from the gear tray. Make sure that you do not remove any wood.

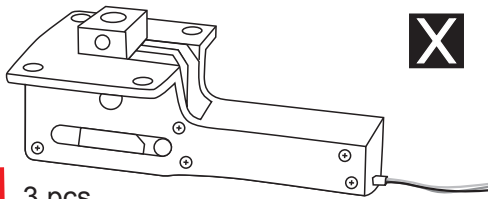


Fuselage Bottom Side



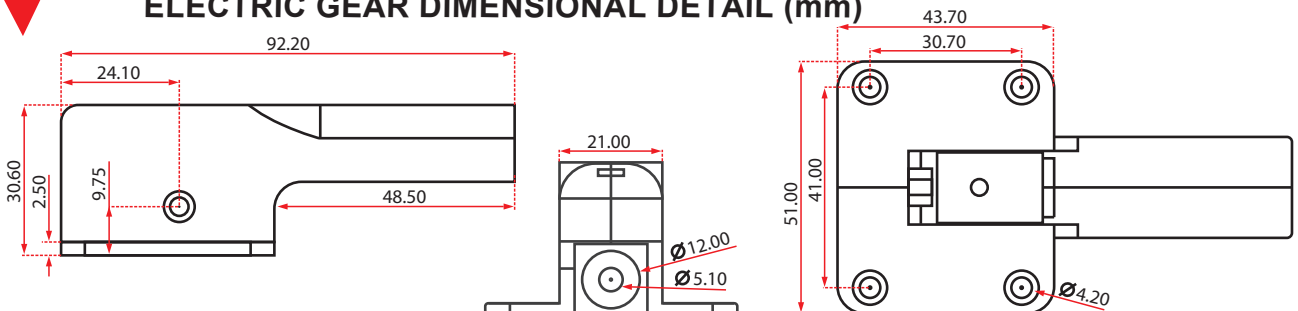
INSTALLING MAIN GEAR

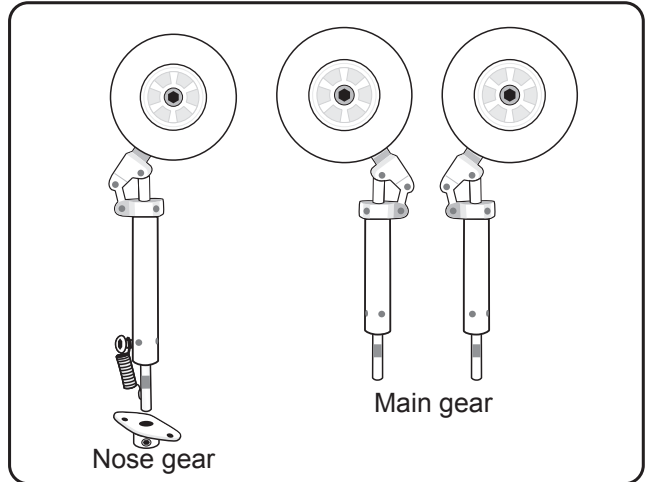
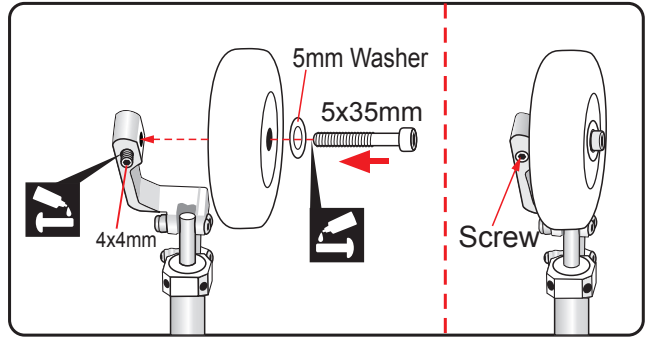
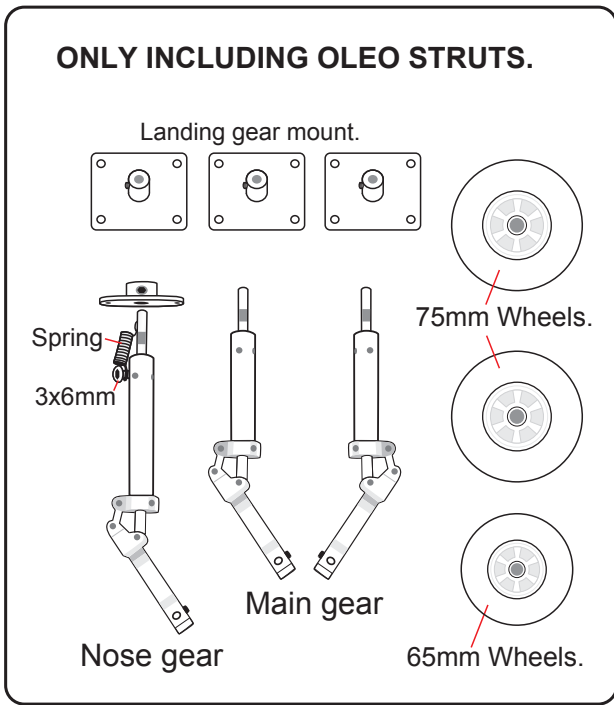
ELECTRIC NOT INCLUDED.



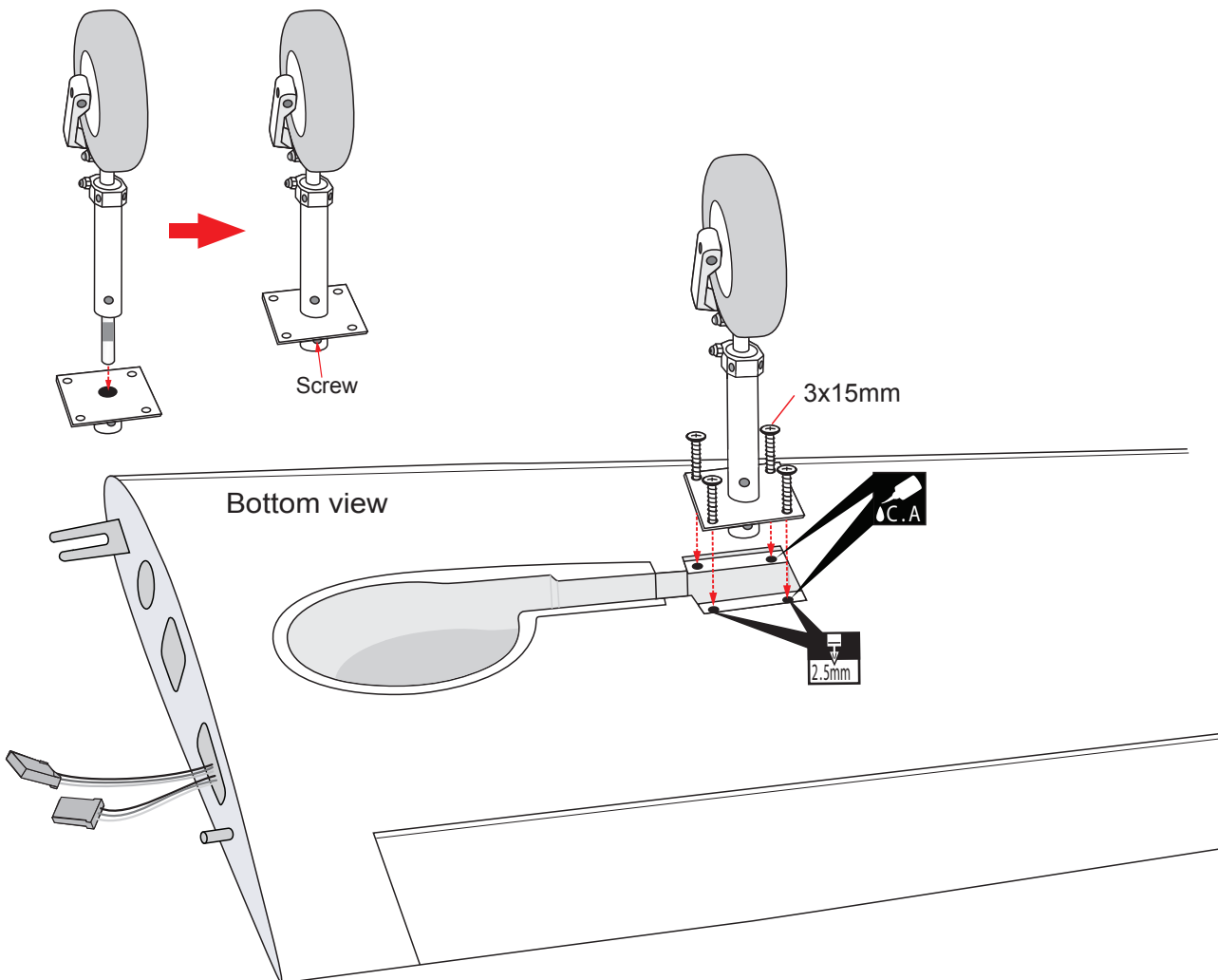
- | | | | |
|------------------------------|----------|--------------|---------|
| 3x15mm Tp Screw | ----- 12 | Cab link | ----- 2 |
| 5x35mm Socket Head Cap Screw | ----- 3 | Metal Clevis | ----- 2 |
| 5mm Flat washer | ----- 3 | 600mm Cable | ----- 2 |
| | ----- 4 | 3mm Hex Nut | ----- 2 |

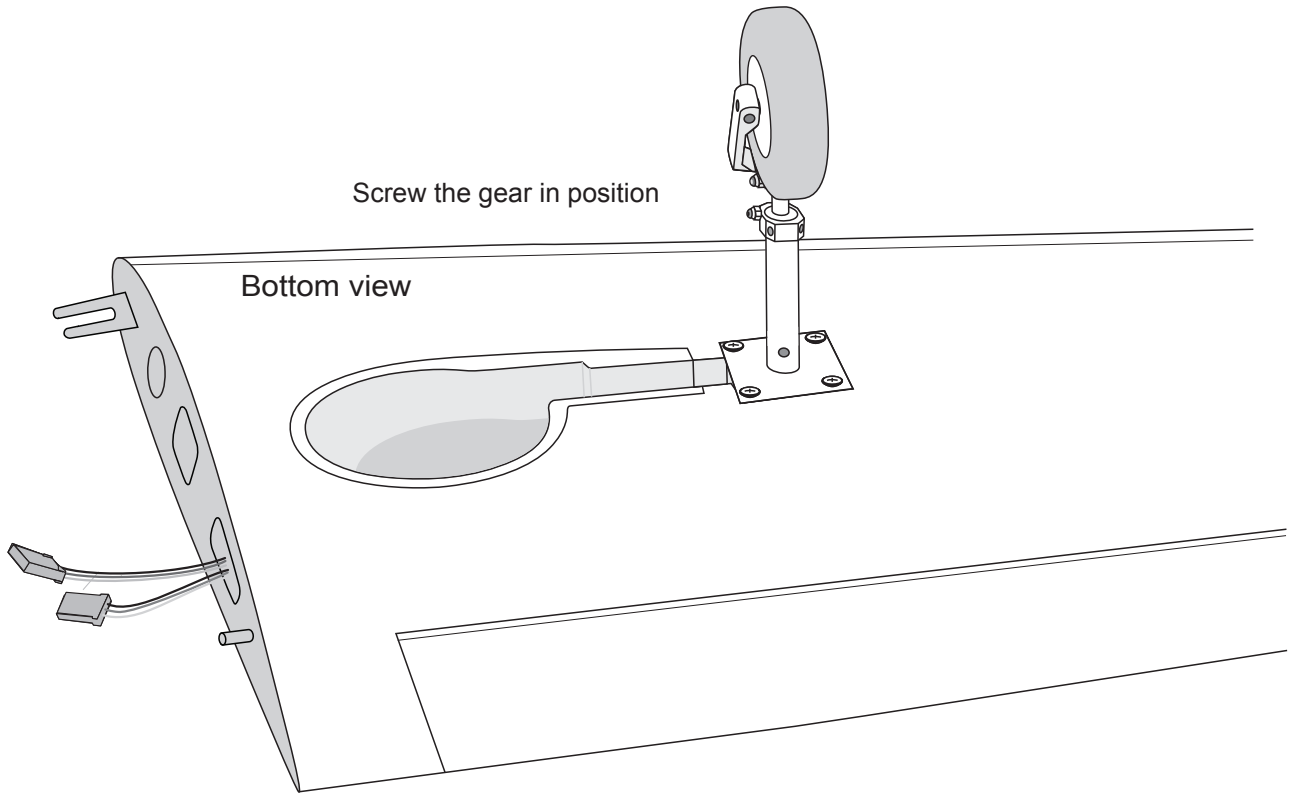
ELECTRIC GEAR DIMENSIONAL DETAIL (mm)



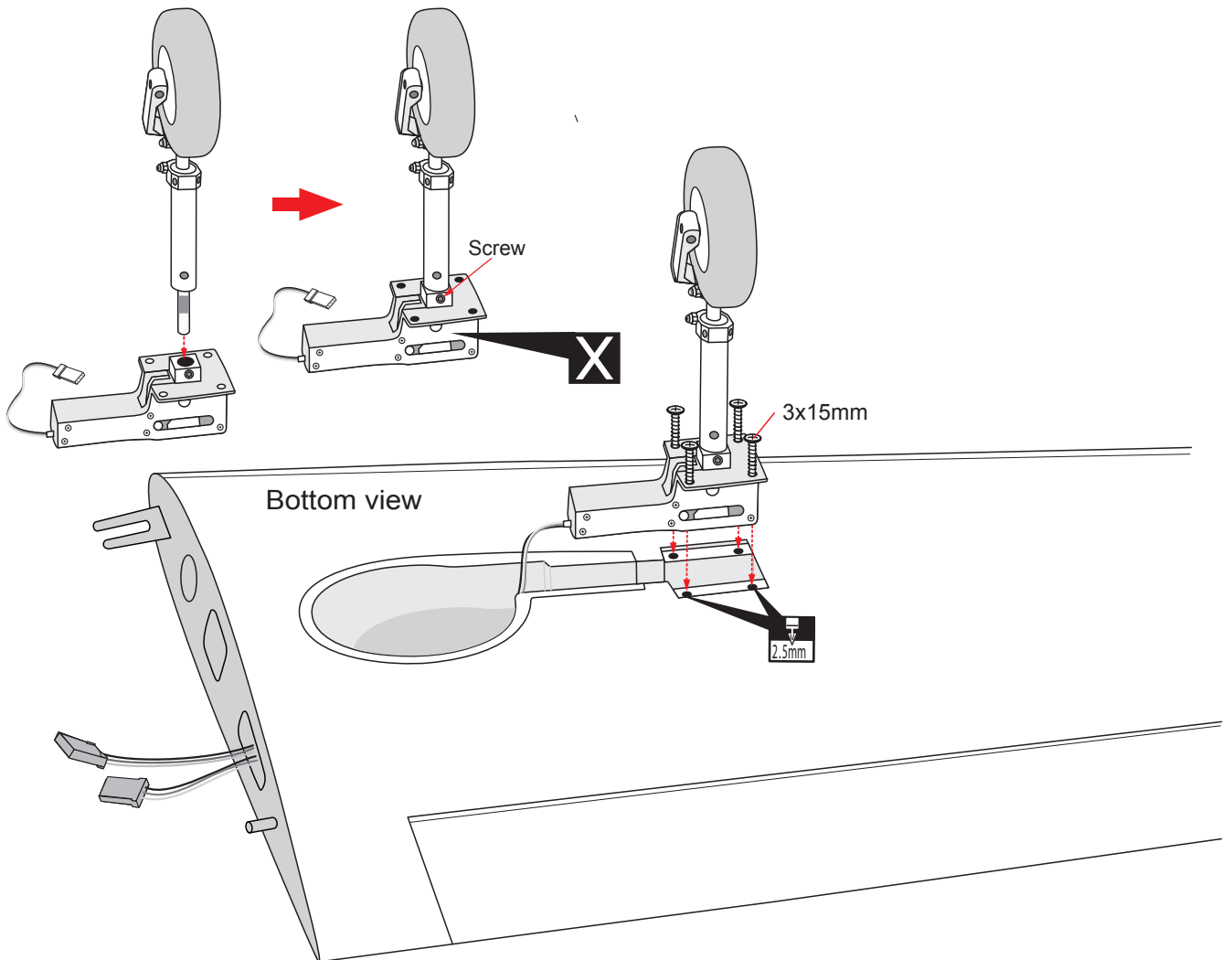


**THERE ARE TWO OPTIONS:
OPTION 1: MAIN GEAR STRUTS**

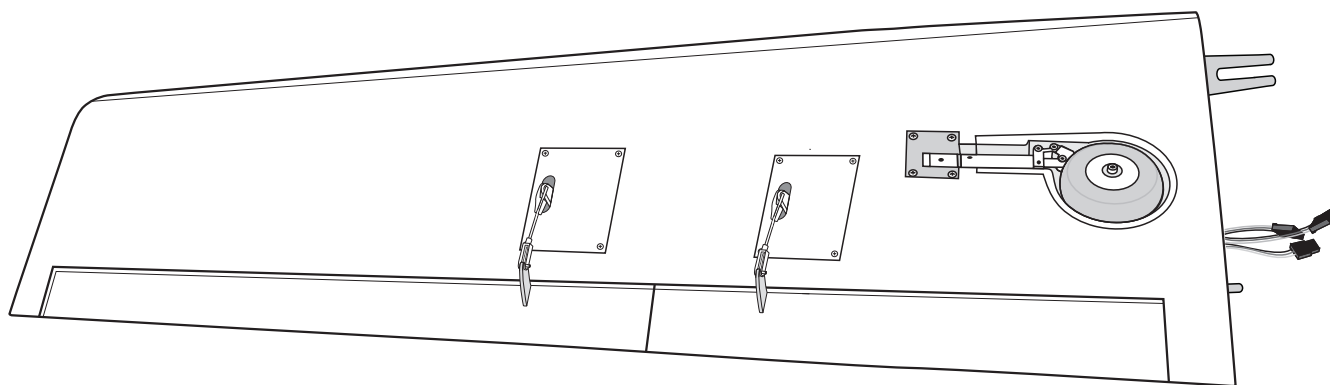
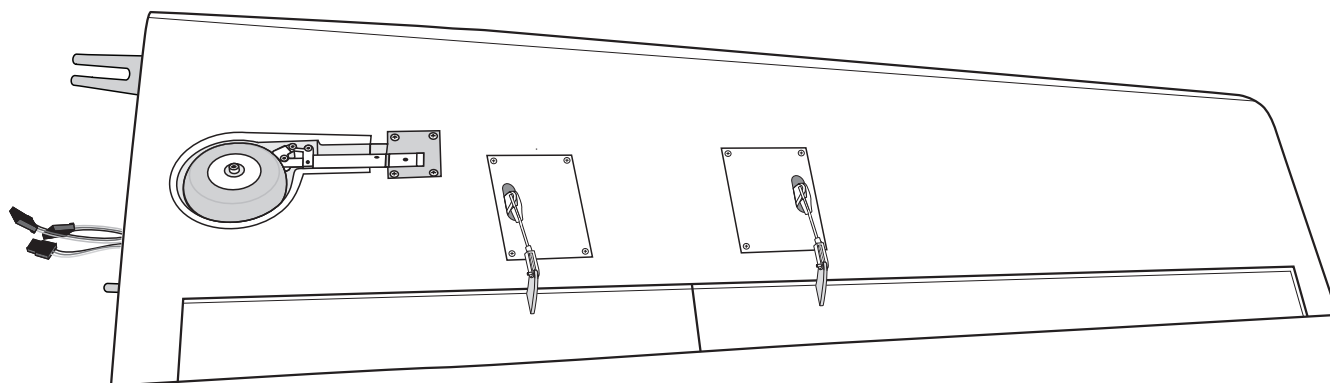
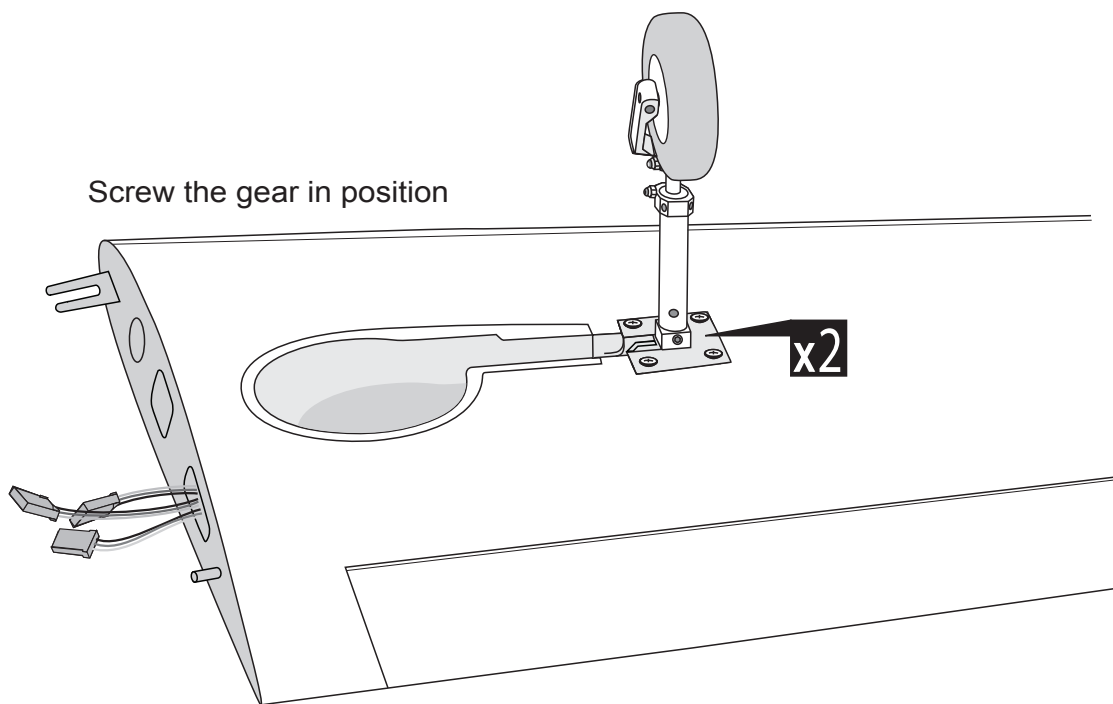




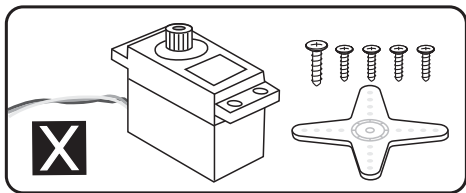
OPTION 2: ELECTRIC GEAR RETRACTS



Screw the gear in position

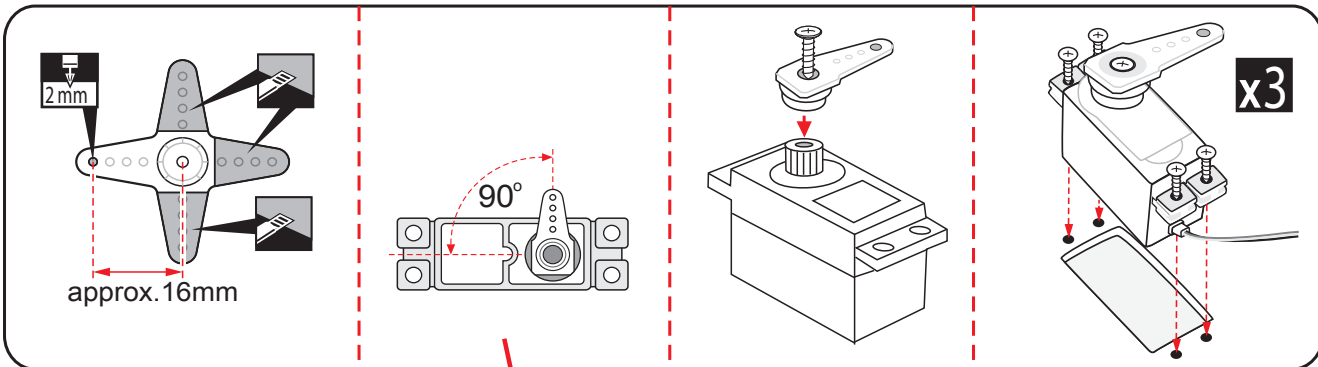


INSTALLING THE FUSELAGE SERVOS

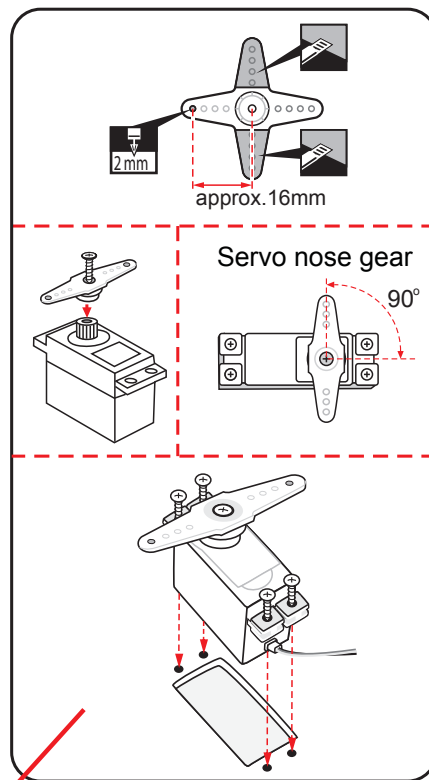
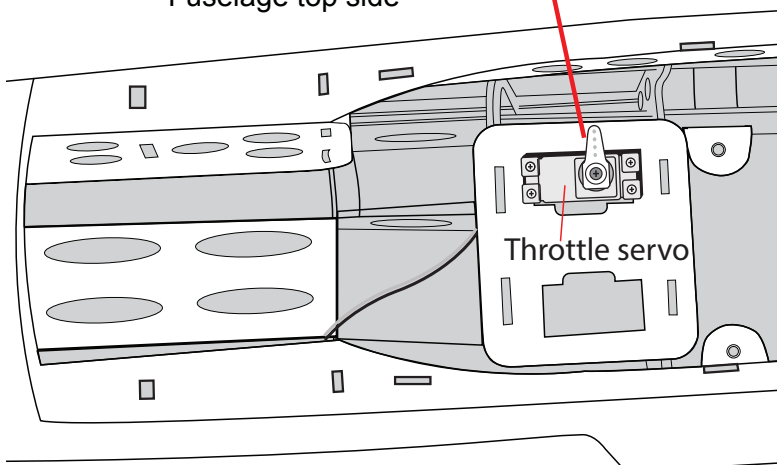


1) Install the rubber grommets and brass collets into the elevator, rudder and throttle servos. Test fit the servos into the servo tray. Trim the tray if necessary to fit your servos.

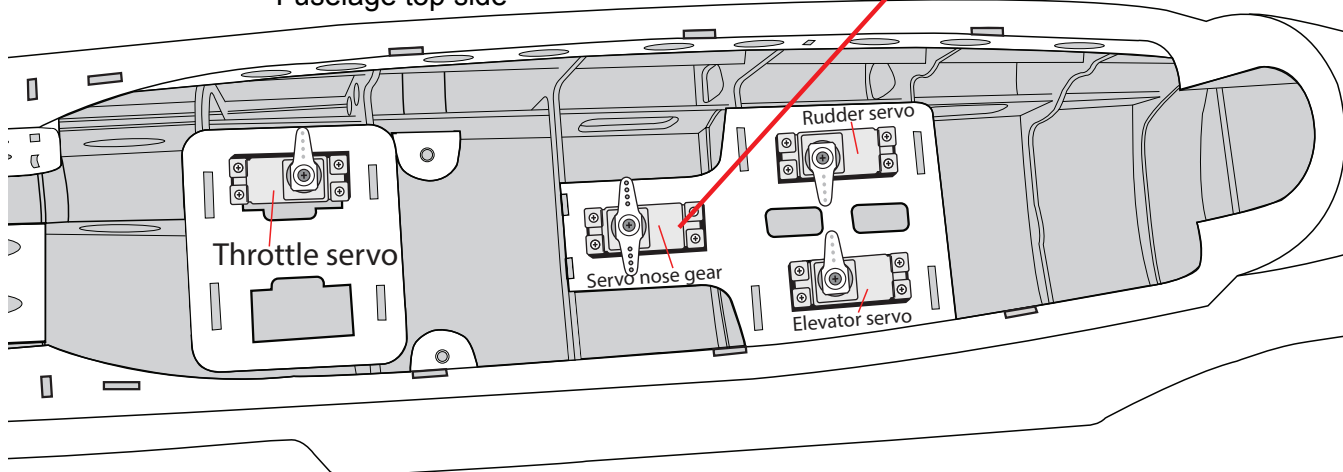
2) Mount the servo to the tray using the mounting screws provided with your radio system.



Fuselage top side



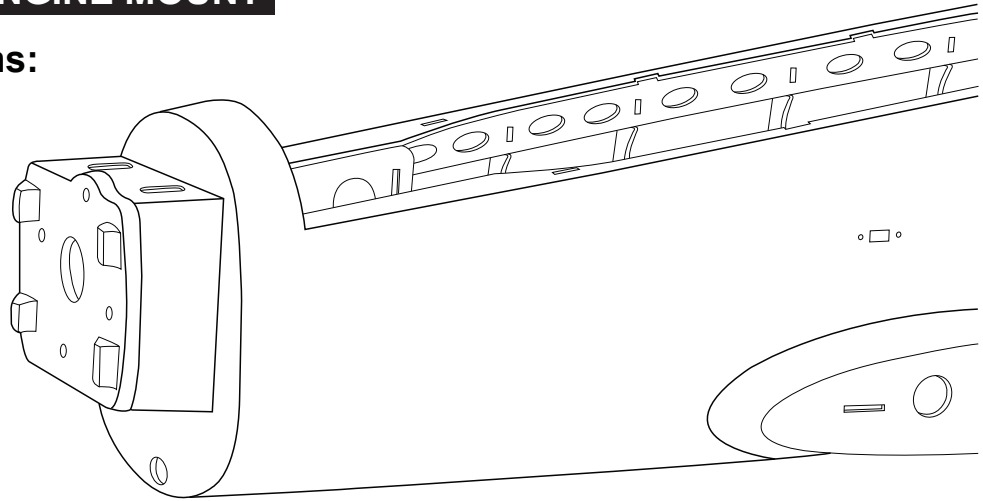
Fuselage top side



INSTALLING THE ENGINE MOUNT

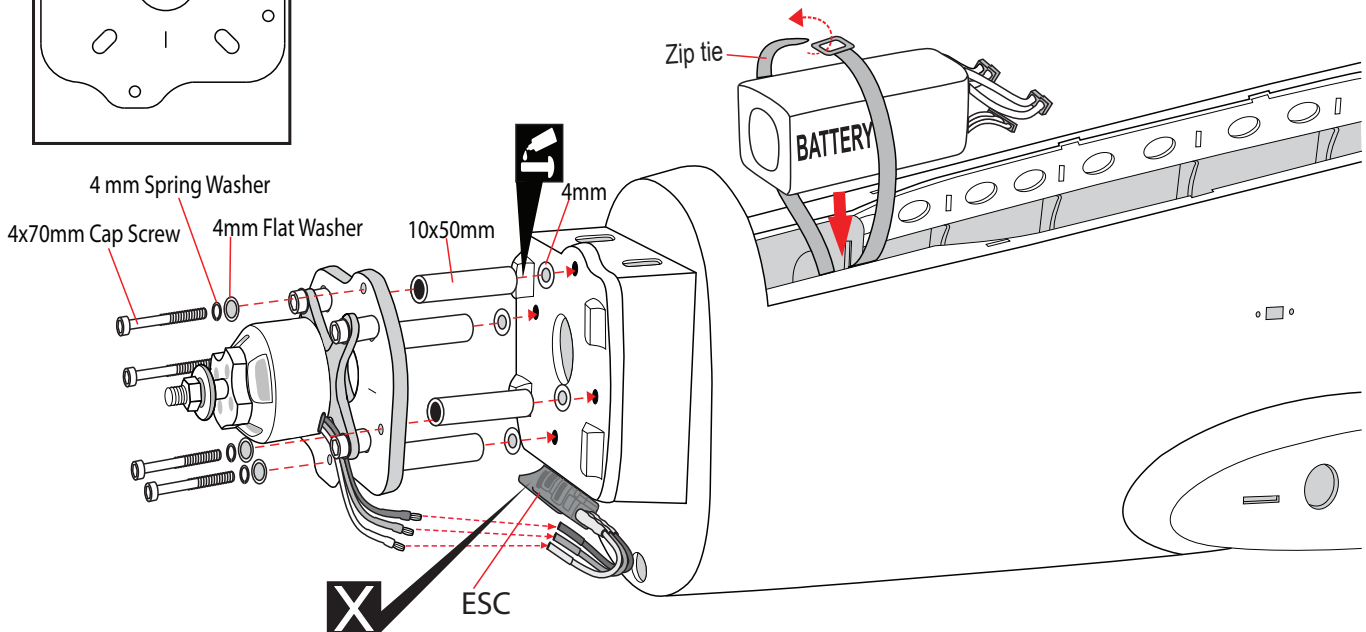
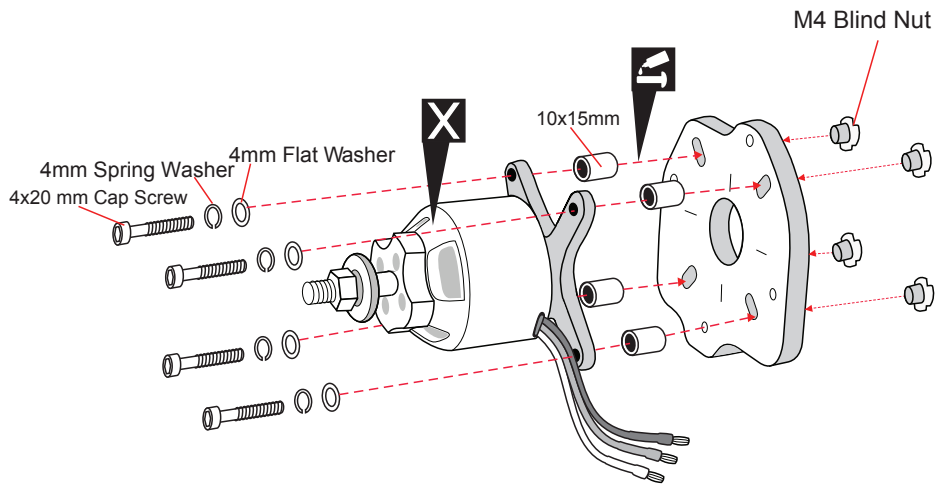
There are two options:

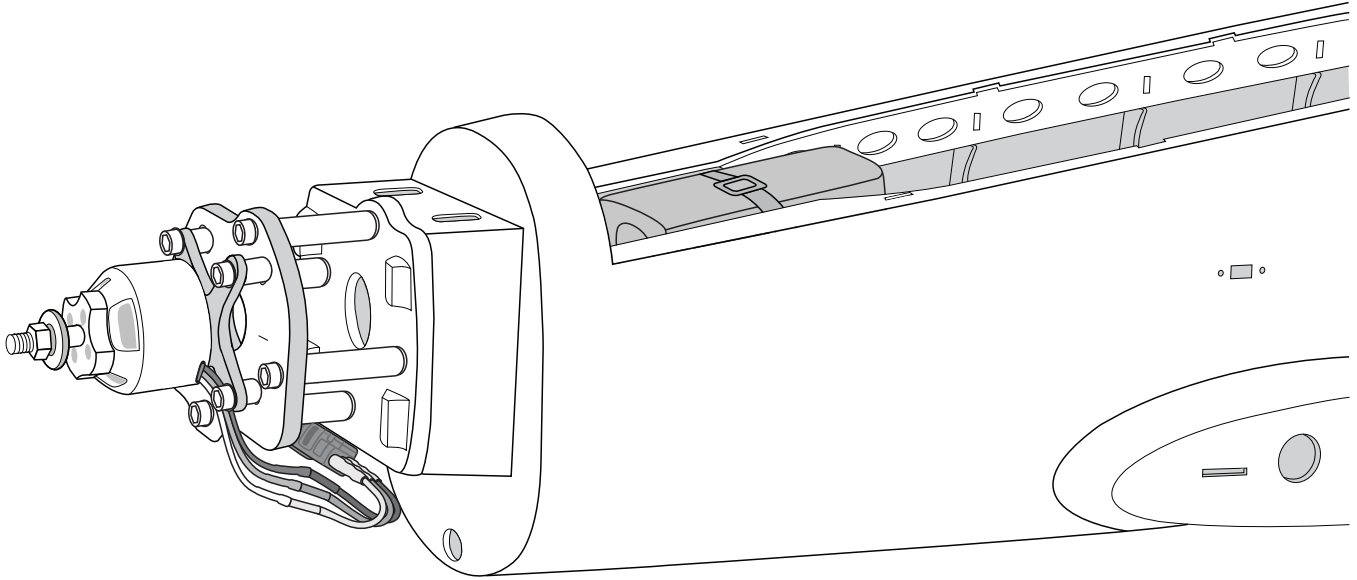
1. Electric motor
2. Engine mount.



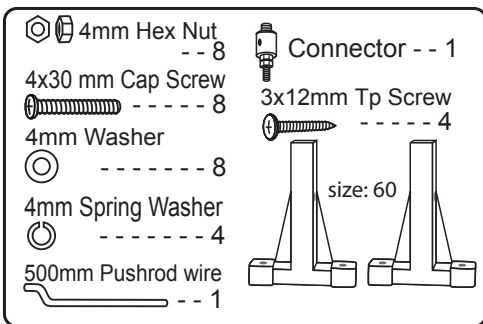
OPTION 1: INSTALLING THE ELECTRIC MOTOR (EP VERSION)

| | | |
|-------------------|-------|---|
| M4 Blind Nut | ----- | 4 |
| 10x5mm Aluminum | ----- | 4 |
| 10x50mm Aluminum | ----- | 4 |
| 4 mm Flat Washer | ----- | 8 |
| 4 mm Flat Washer | ----- | 4 |
| 4mm Spring Washer | ----- | 8 |
| 4x70mm Cap Screw | --- | 4 |
| 4x20mm Cap Screw | ----- | 4 |

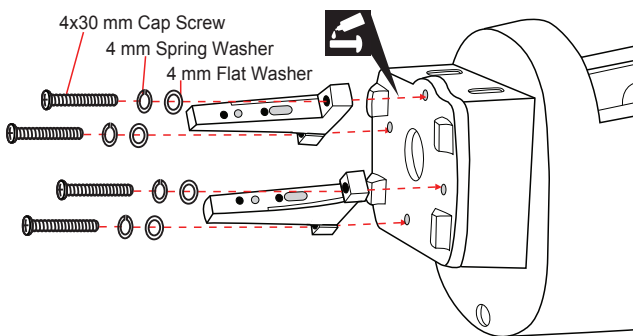




OPTION 2: ENGINE INSTALLATION
Installing the engine mount, fuel tank



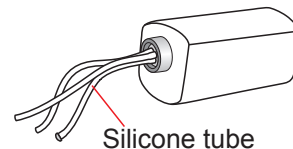
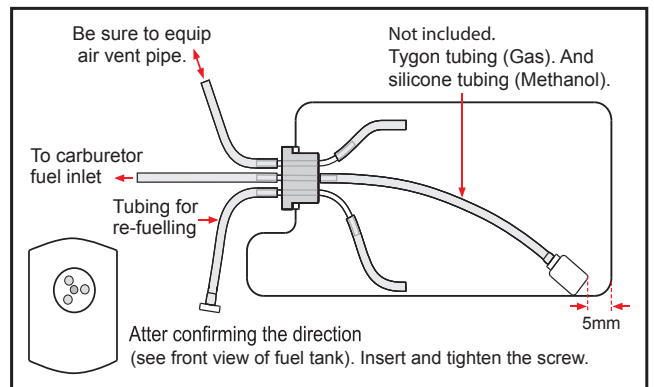
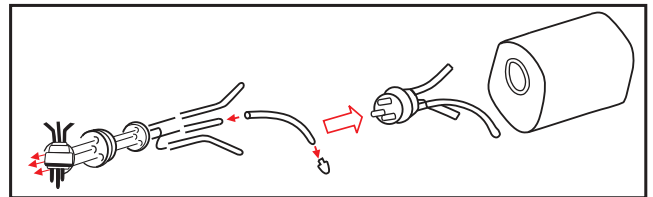
Install the engine mount using 4 screw 4mm x 30mm



INSTALLING THE STOPPER ASSEMBLY

- 1) The stopper has been pre-assembled at the factory.
- 2) Using a modeling knife, cut one length of silicon fuel line (the length of silicon fuel line is calculated by how the weighted clunk should rest about 8mm away from the rear of the tank and move freely inside the tank). Connect one end of the line to the weighted clunk and the other end to the nylon pick up tube in the stopper.
- 3) Carefully bend the second nylon tube up at a 45 degree angle (using a cigarette lighter). This tube will be the vent tube to the muffler.

- 4) Carefully bend the third nylon tube down at a 45 degree angle (using a cigarette lighter). This tube will be vent tube to the fueling valve. When the stopper assembly is installed in the tank, the top of the vent tube should rest just below the top surface of the tank. It should not touch the top of the tank.



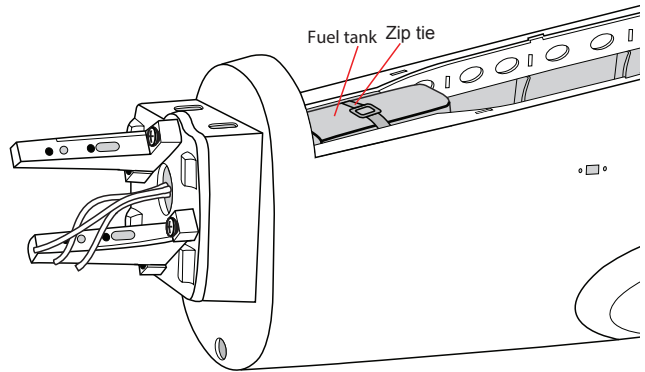
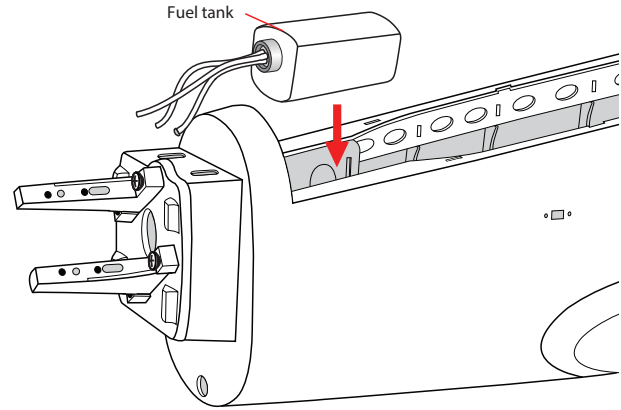
- 5) Test fit the stopper assembly into the tank. It may be necessary to remove some of the flashing around the tank opening using a modeling knife. If flashing is present, make sure none of it falls into the tank.
- 6) When satisfied with the alignment of the stopper assembly tighten the 3mm x 20mm machine screw until the rubber stopper expands and seals the tank opening. Do not over tighten the assembly as this could cause the tank to split.

7) Using a modeling knife, cut 3 lengths of fuel line 150mm long. Connect 2 lines to the 2 vent tubes and 1 line to the fuel pickup tube in the stopper.

8) Feed three lines through the fuel tank compartment and through the pre-drilled hole in the firewall. Pull the lines out from behind the engine, while guiding the fuel tank into place. Push the fuel tank as far forward as possible, the front of the tank should just about touch the back of the firewall.

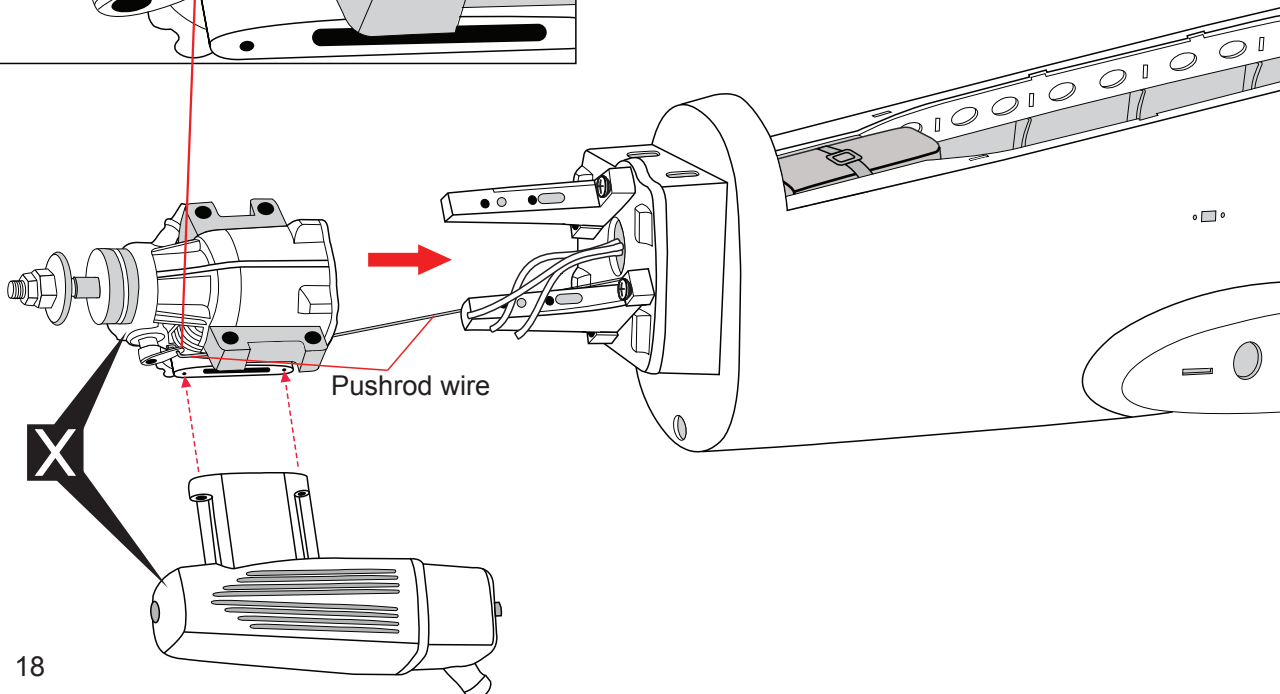
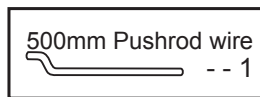
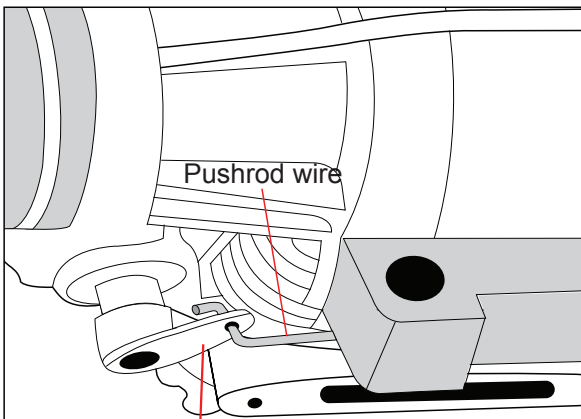
9) To secure the fuel tank in place, apply a bead of silicon sealer to the forward area of the tank, where it exits the fuselage behind the engine mounting box and to the rear of the tank at the forward bulkhead.




Do not secure the tank into place permanently until after balancing the airplane. You may need to remove the tank to mount the battery in the fuel tank compartment.

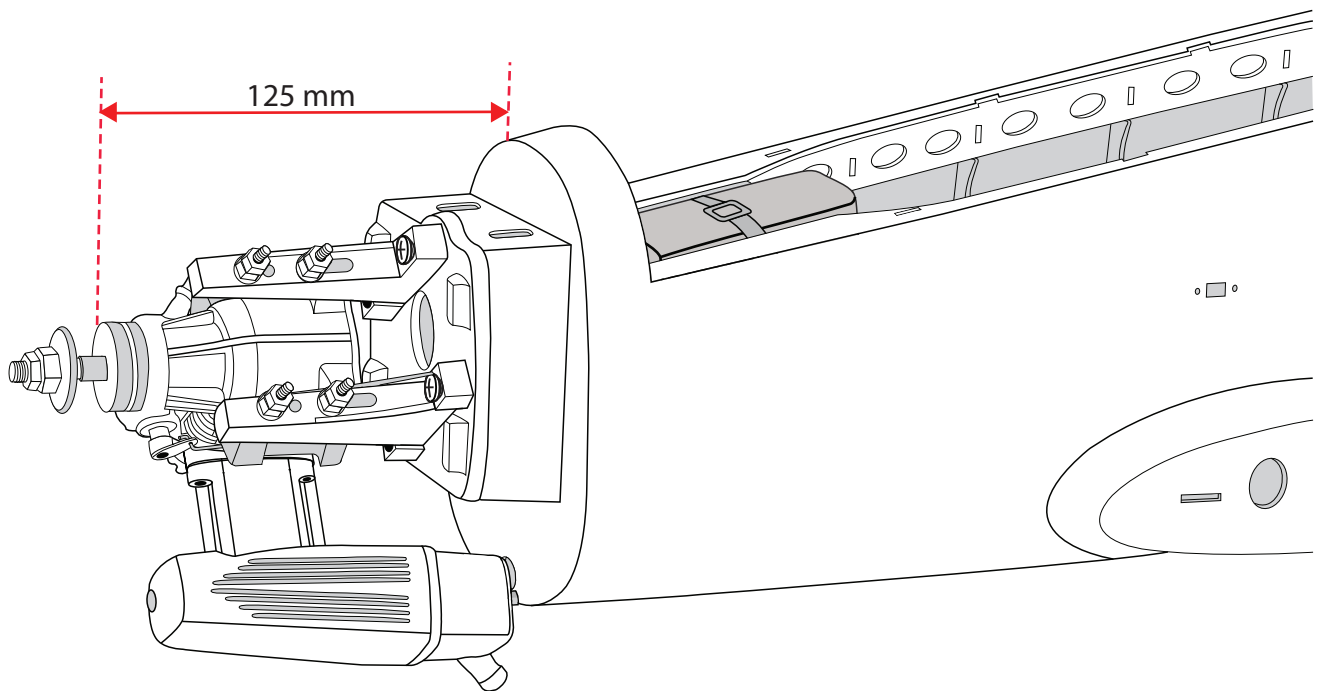
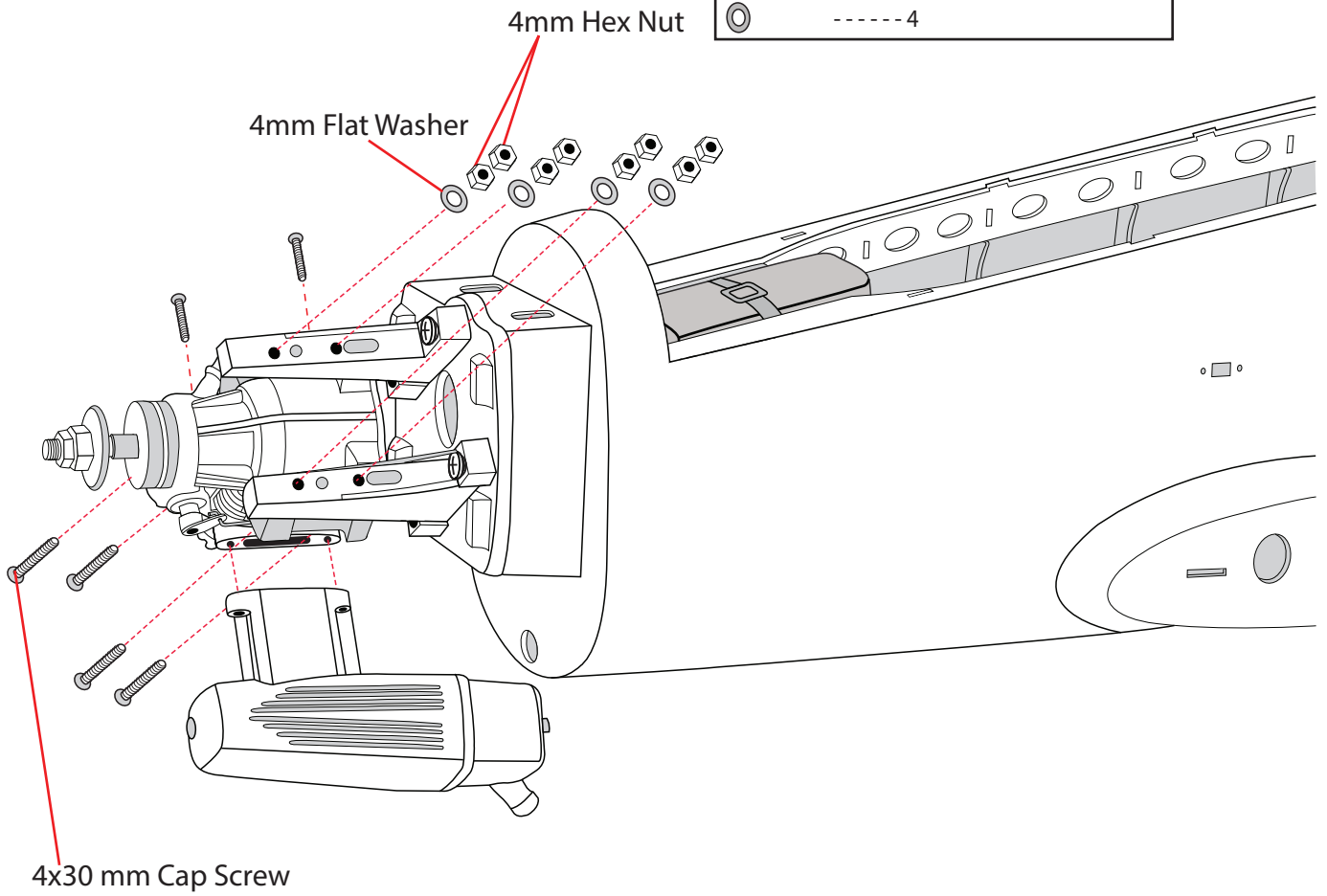


INSTALLING THE THROTTLE PUSHROD

* Locate the long piece of wire used for the throttle pushrod. One end of the wire has been pre-bend in to a "Z" bend at the factory. This "Z" bend should be inserted into the throttle arm of the engine when the engine is fitted onto the engine mount. Fit the engine to the engine mount using the screws provided.




| | |
|---|---|
| 4x30 mm Cap Screw | 4mm Hex Nut |
|  ----- 4 |  ----- 8 |
| 4mm Flat Washer |  ----- 4 |





1) Install one adjustable metal connector through the third hole out from the center of one servo arm, enlarge the hole in the servo arm using a 2mm drill bit to accommodate the servo connector. Remove the excess material from the arm.

 After installing the adjustable metal connector apply a small drop of thin C/A to the bottom nut. This will prevent the connector from loosening during flight.

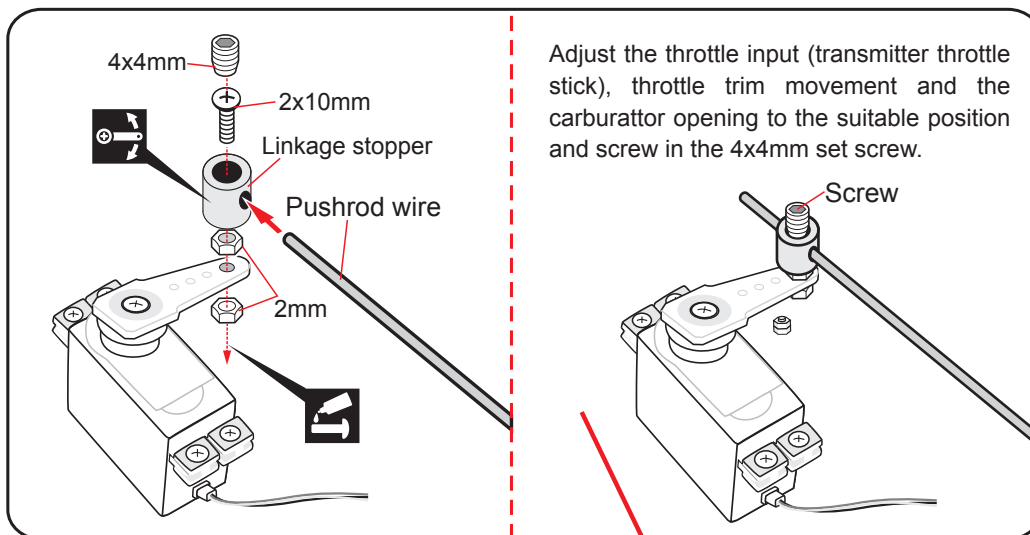
2) Plug the throttle servo into the receiver and turn on the radio system. Check to ensure that the throttle servo output shaft is moving in the correct direction. When the throttle stick is moved forward from idle to full throttle, the throttle barrel should also open and close using this motion. If not,

reverse the direction of the servo, using the transmitter.

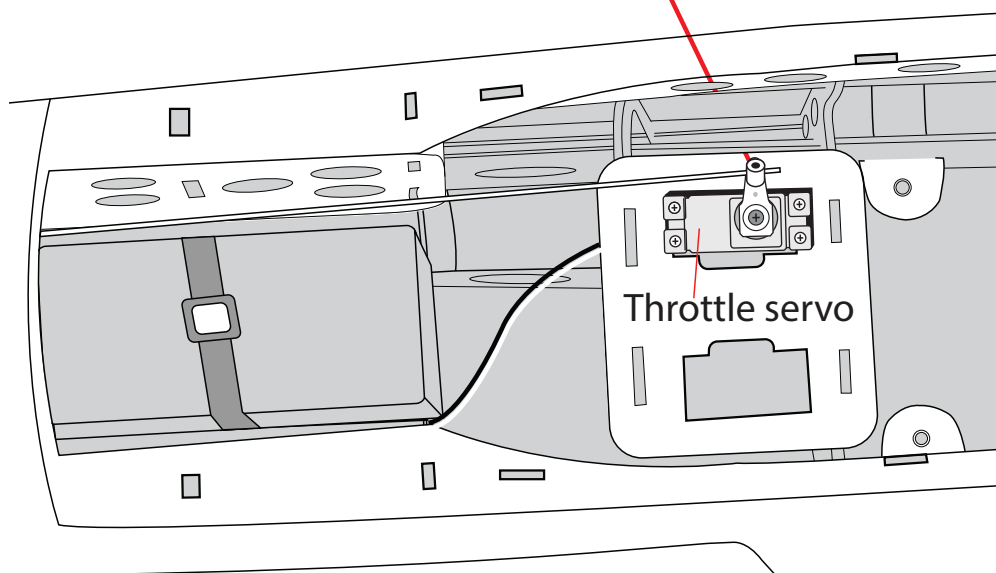
3) Slide the adjustable metal connector / servo arm assembly over the plain end of the pushrod wire. Position the throttle stick and the throttle trim at their lowest positions.

4) Manually push the carburetor barrel fully closed. Angle the arm back about 45 degree from center and attach the servo arm onto the servo. With the carburetor barrel fully closed, tighten the set screw in the adjustable metal connector.

5) Remove the excess throttle pushrod wire using wire cutters and install the servo arm retaining screw.




Fuselage top side



MOUNTING THE COWL

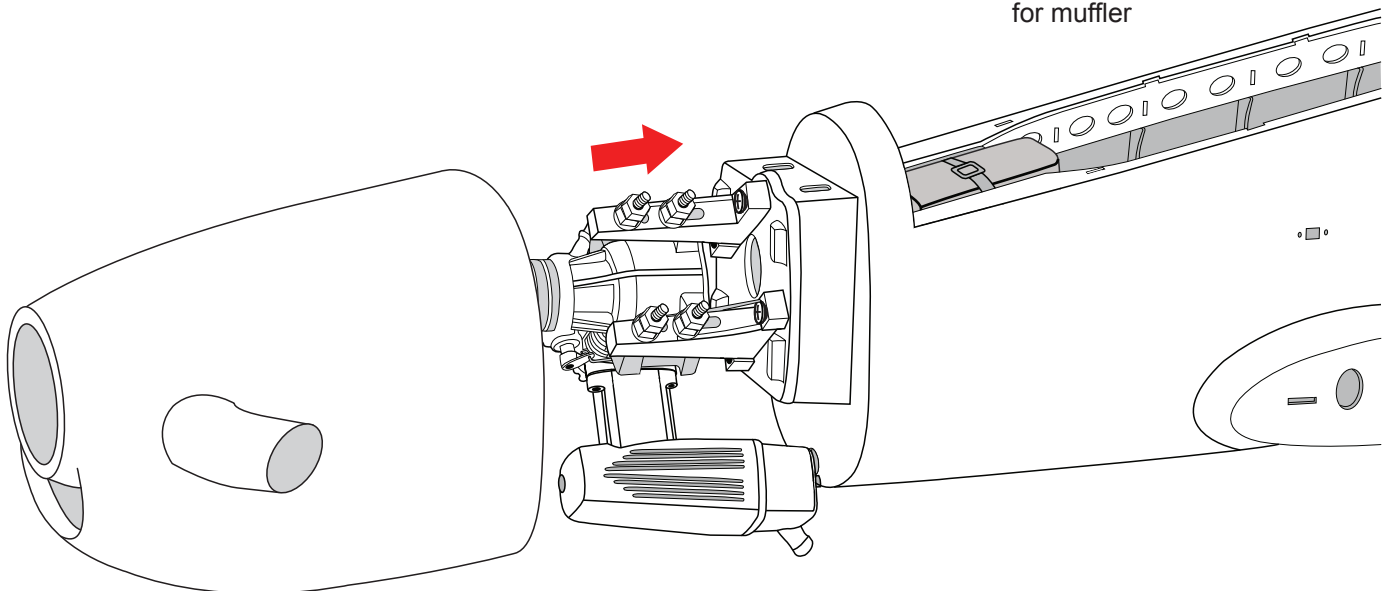
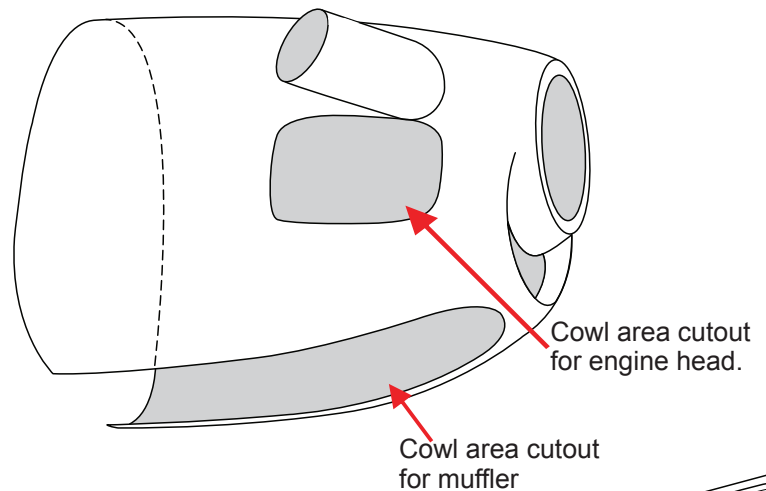
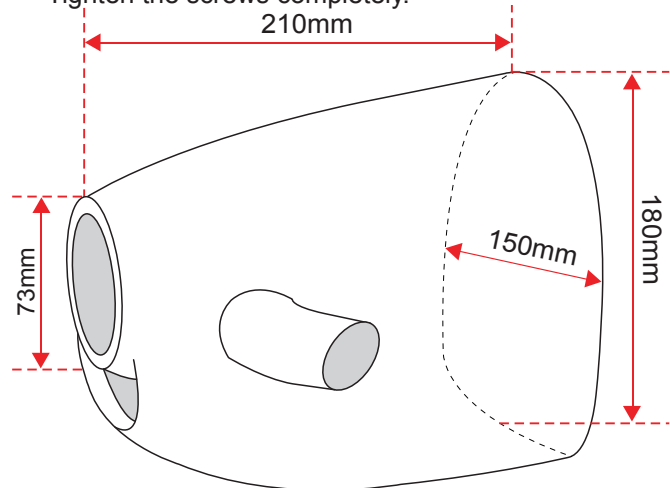
- 1) Remove the muffler and needle valve assembly from the engine. Slide the fiberglass cowl over the engine.
- 2) Measure and mark the locations to be cut out for engine head clearance, needle valve, muffler. Remove the cowl and make these cutouts using a rotary tool with a cutting disc and a rotary sanding drum attachment.
- 3) Slide the cowl back into place. Align the front of the cowl with the crankshaft of the engine. The front of the cowl should be positioned so the crankshaft is in the middle of the precut opening. Hold the cowl firmly in place using several pieces of masking tape.
- 4) While holding the cowl firmly in position, drill four 1,6mm pilot holes through both the cowl and the side edges of the firewall.
- 5) Using a 3mm drill bit, enlarge the four holes in the cowling.

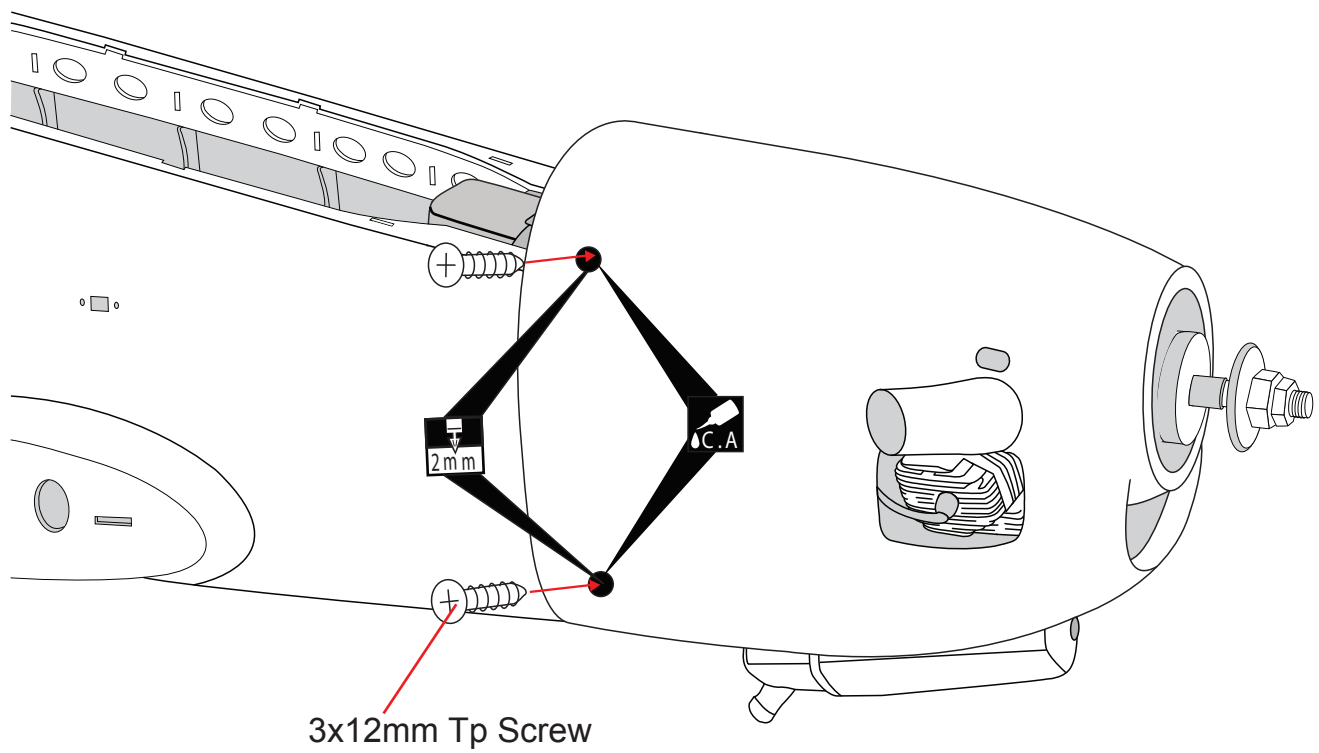
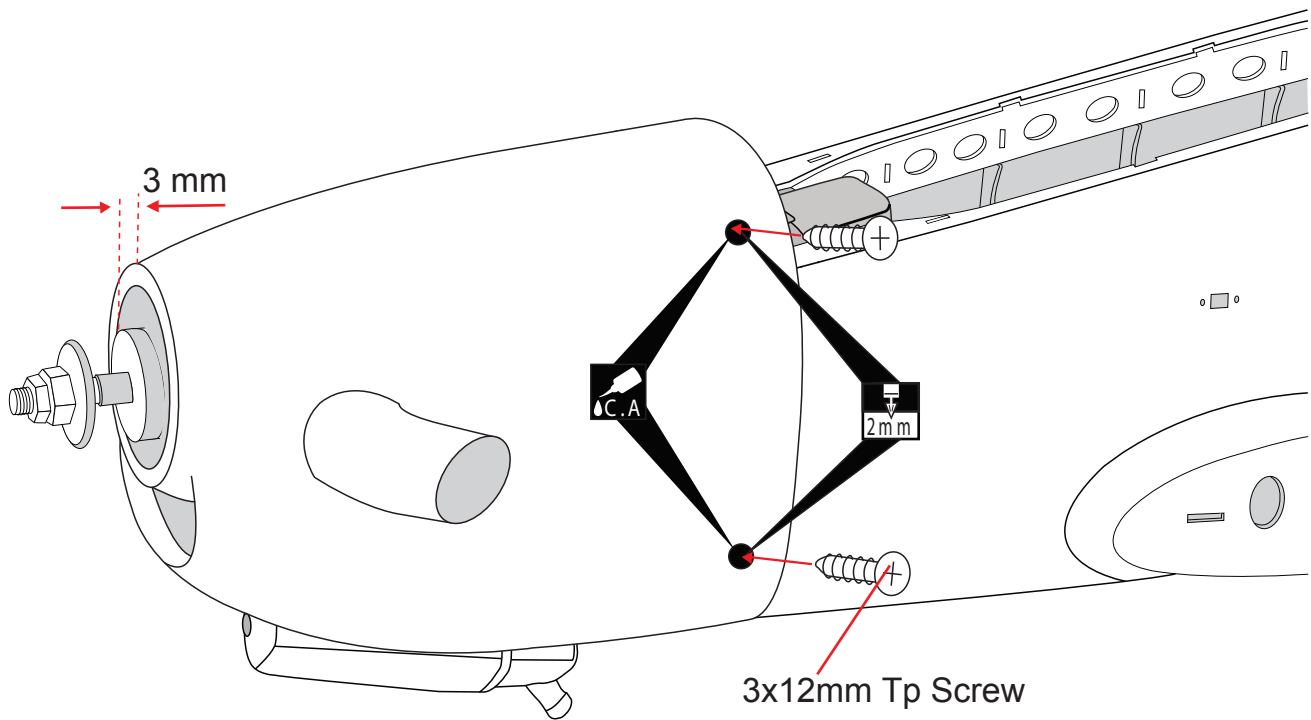


 Enlarging the holes through the cowl will prevent the fiberglass from splitting when the mounting screws are installed.

6) Slide the cowl back over the engine and secure it in place using four screws.

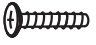
7) Install the muffler. Connect the fuel and pressure lines to the carburetor, muffler and fuel filler valve. Tighten the screws completely.

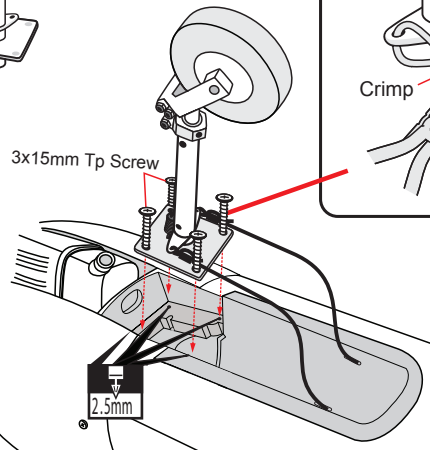
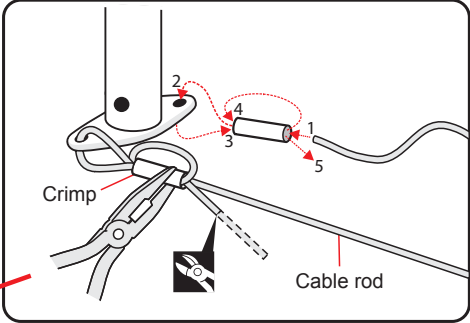
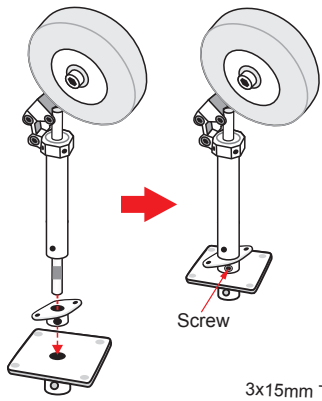




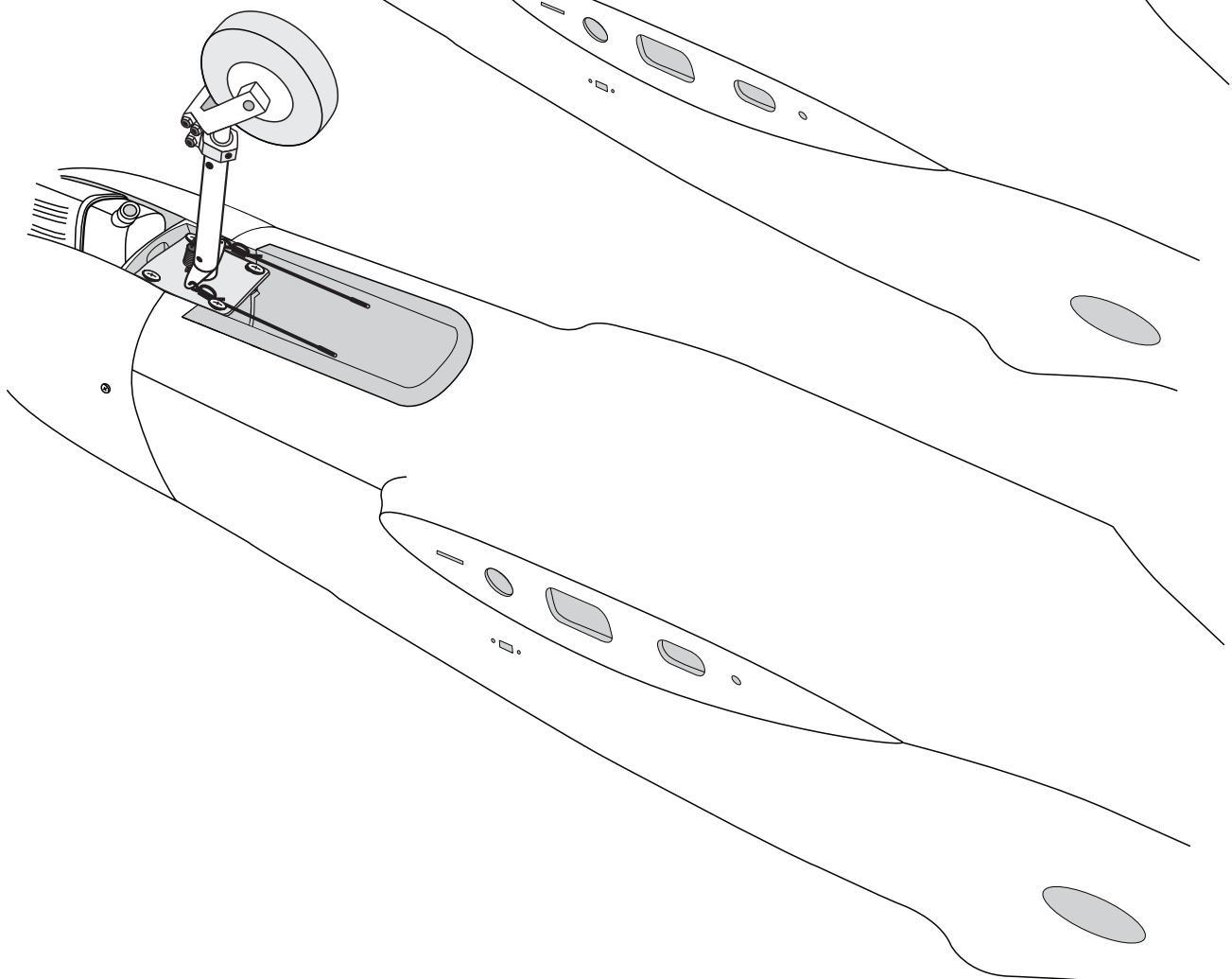
INSTALLING THE NOSE GEAR

OPTION 1: NOSE GEAR STRUT

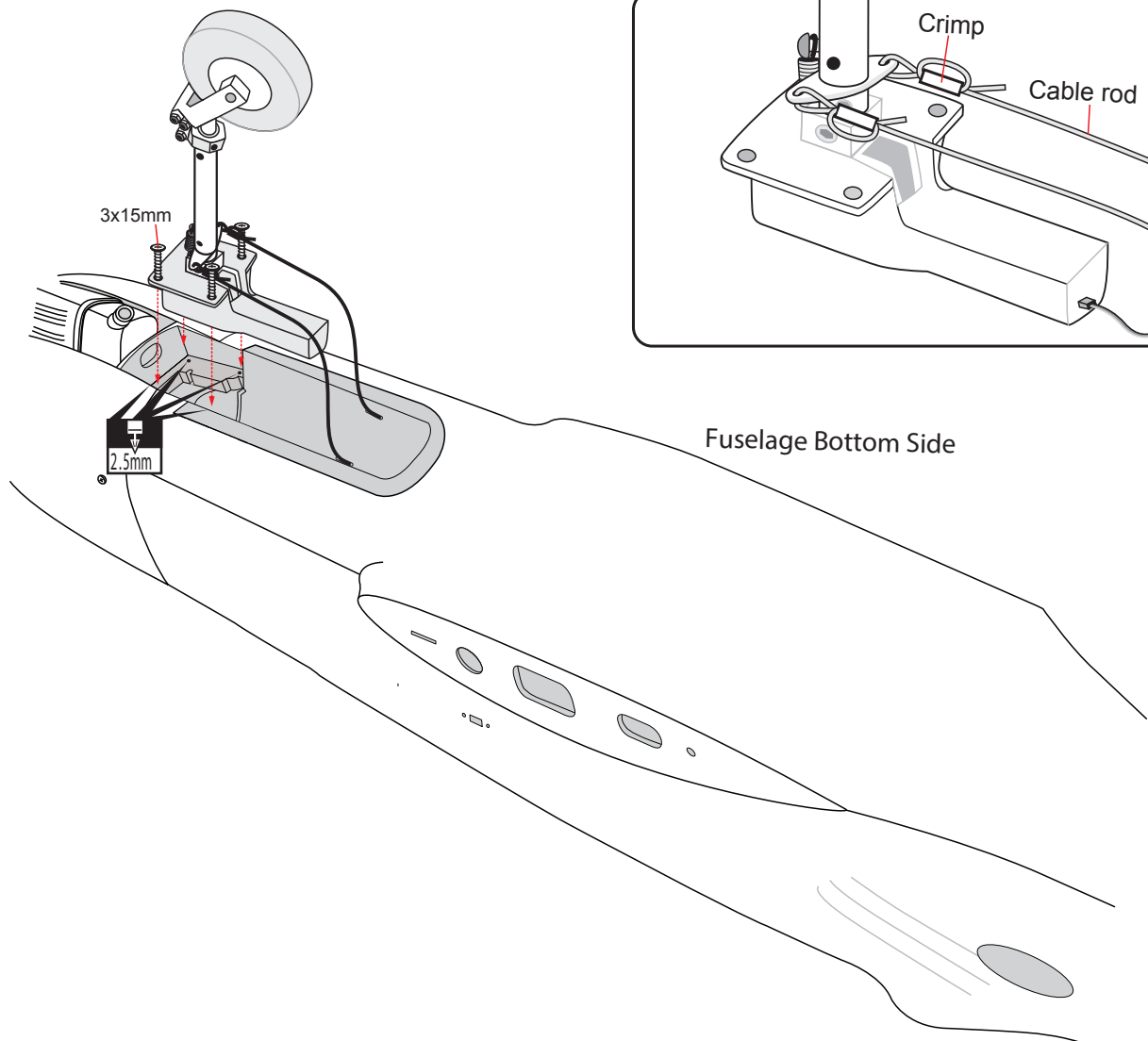
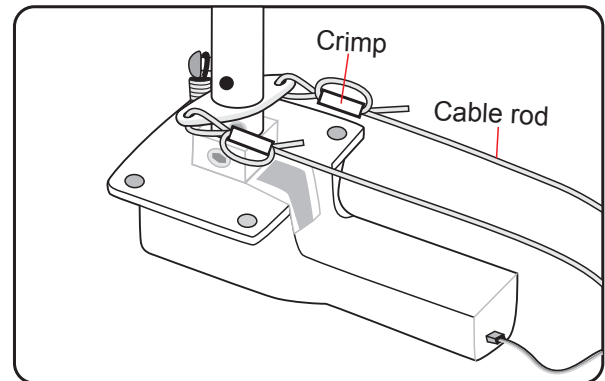
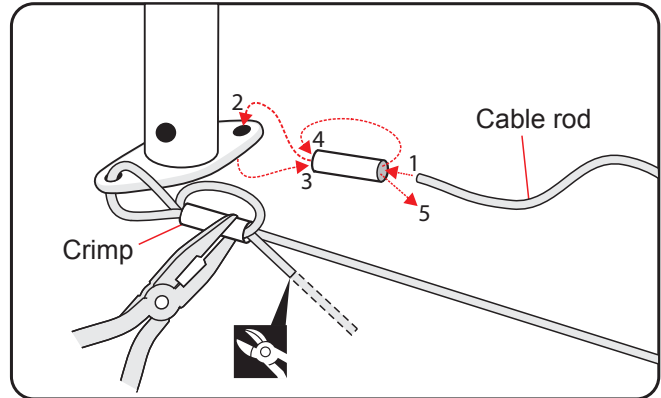
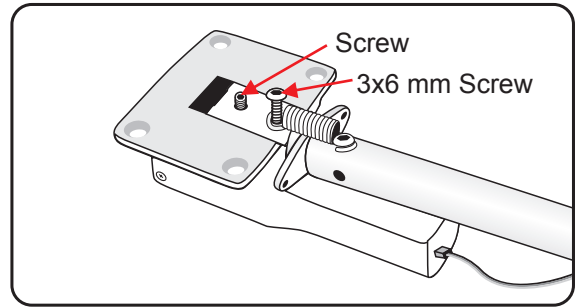
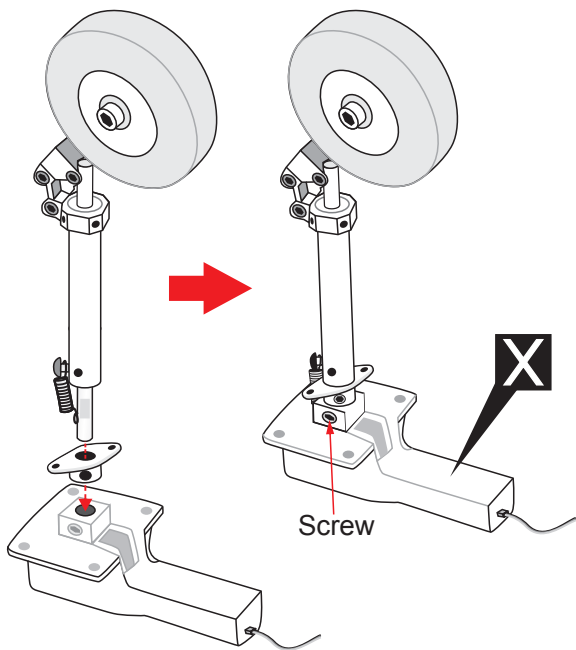
3x15mm Tp Screw
 ----- 4

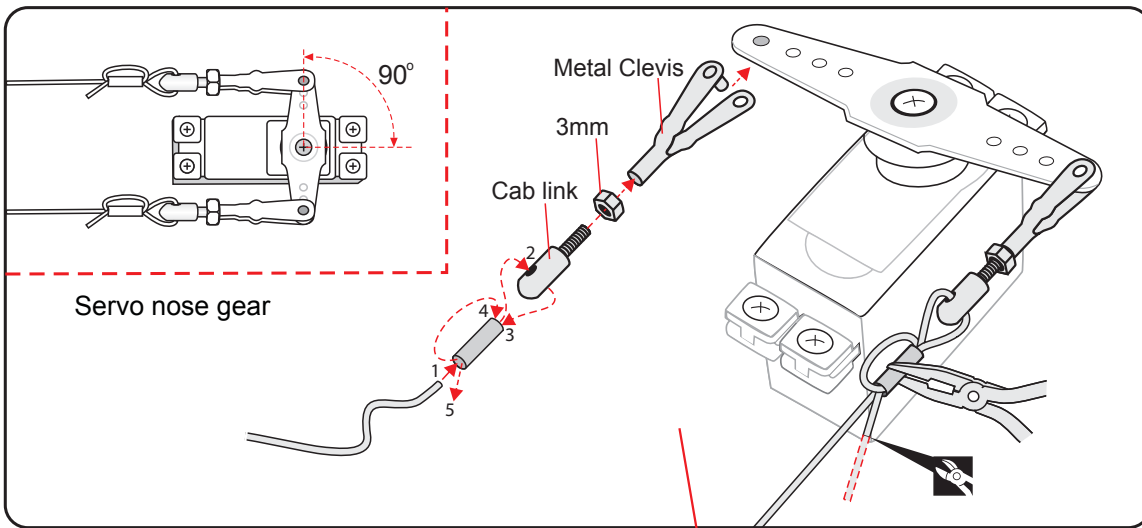
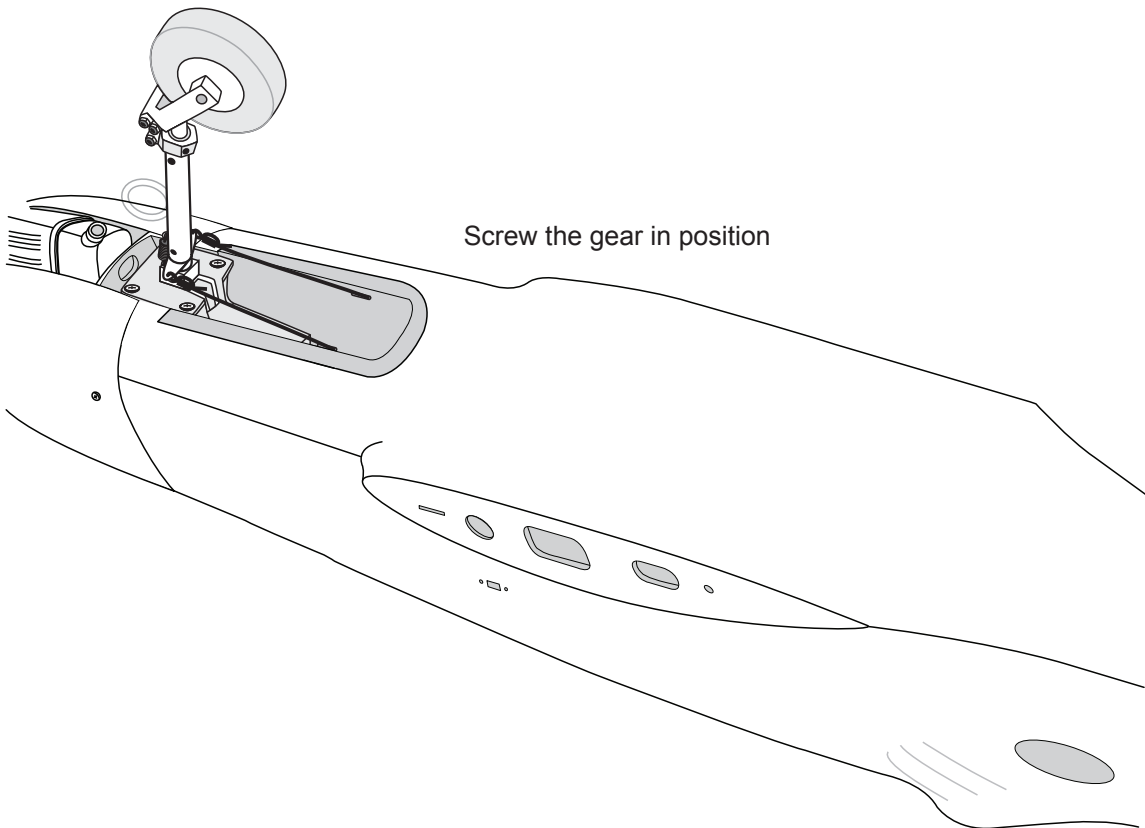


Fuselage Bottom Side

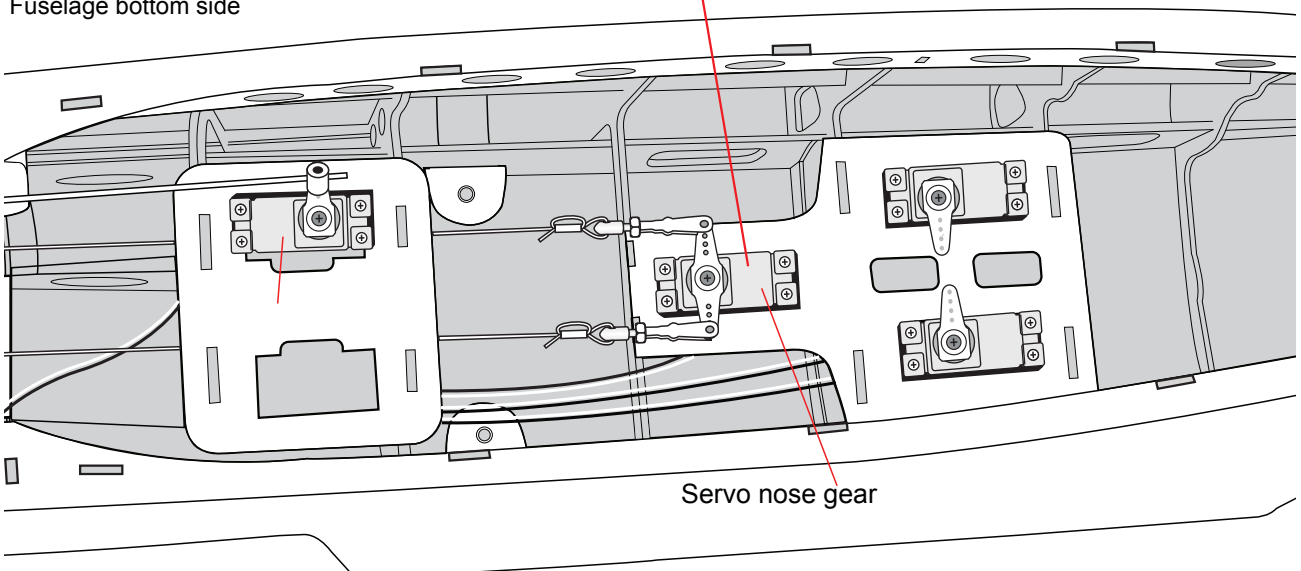


OPTION 2: ELECTRIC GEAR RETRACTS



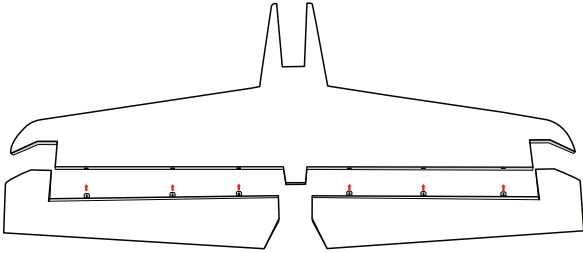


Fuselage bottom side

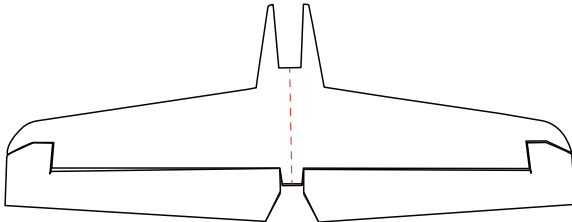


INSTALLING HORIZONTAL STABILIZER

1) Elevator install as same as the way of aileron.



2) Draw a center line onto the horizontal stabilizer.



3) Using a modeling knife, cut away the covering from the fuselage for the stabilizer and remove it.

4) Check the fit of the horizontal stabilizer in its slot. Make sure the horizontal stabilizer is square and centered to the fuselage by taking measurements, but don't glue anything yet.

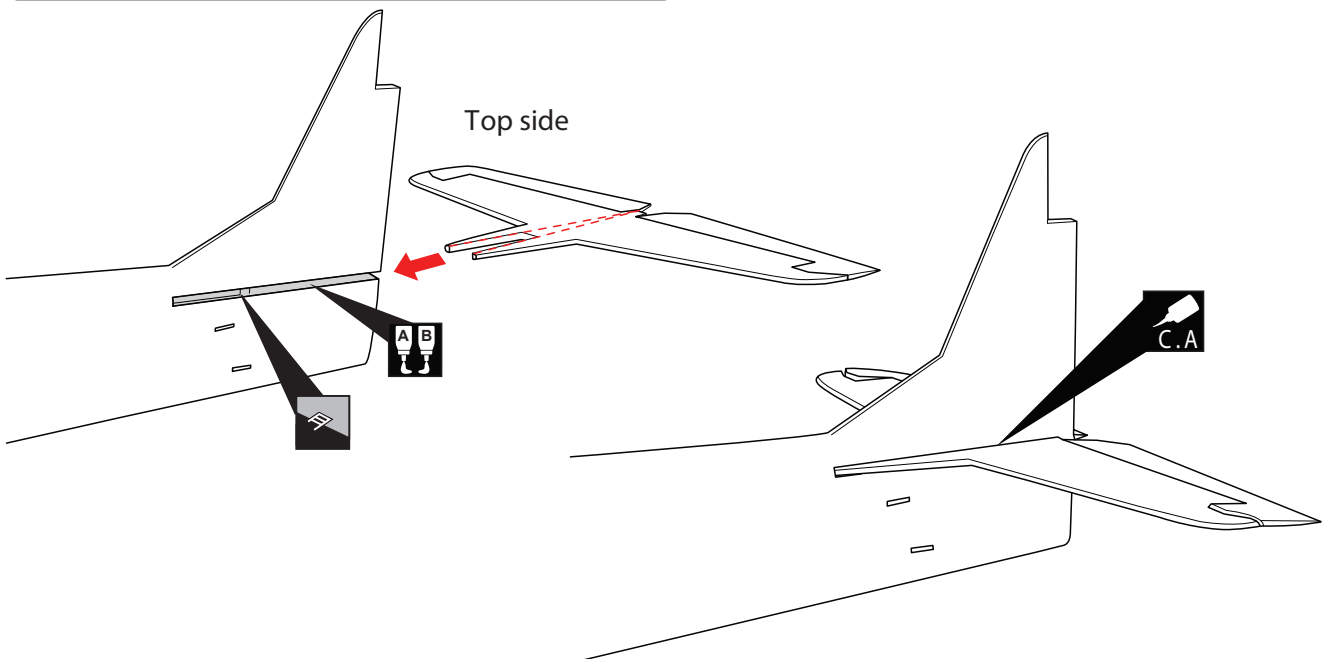
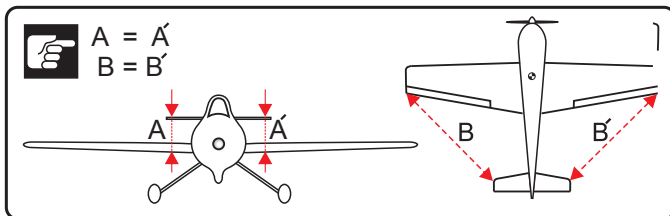
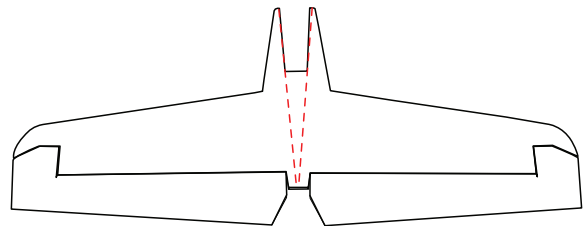
5) With the horizontal stabilizer correctly aligned, mark the shape of the fuselage on the top and the bottom of the tail plane using a water soluble / non permanent felt-tip pen.

6) Remove the stabilizer. Using the lines you just drew as a guide, carefully remove the covering from between them using a modeling knife.







! When cutting through the covering to remove it, cut with only enough pressure to only cut through the covering it's self. Cutting into the balsa structure may weaken it. This could lead to possible failure during flight.

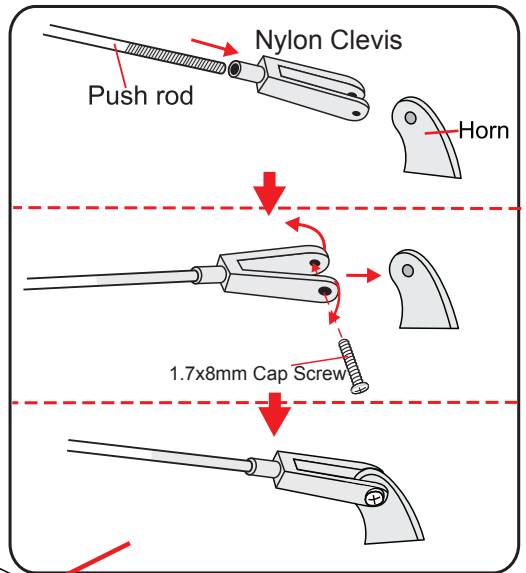
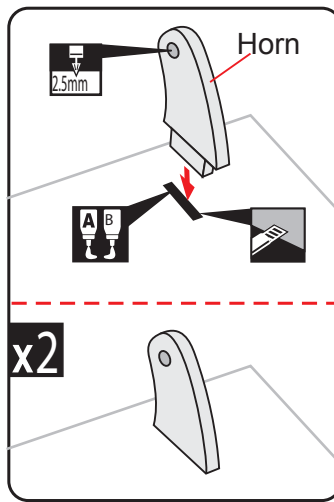
7) When you are sure that everything is aligned correctly, mix up a generous amount of 30 minute epoxy. Apply a thin layer to the bottom and to the top of the stabilizer mounting area and to the stabilizer mounting platform sides in the fuselage. Slide the stabilizer in place and re-align. Double check all of your measurements one more time before the epoxy cures. Remove any excess epoxy using a paper towel and rubbing alcohol and hold the stabilizer in place with T-pins or masking tape.

8) After the epoxy has fully cured, remove the masking tape or T-pins used to hold the stabilizer in place and carefully inspect the glue joints. Use more epoxy to fill in any gaps that were not filled previously and clean up the excess using a paper towel and rubbing alcohol.

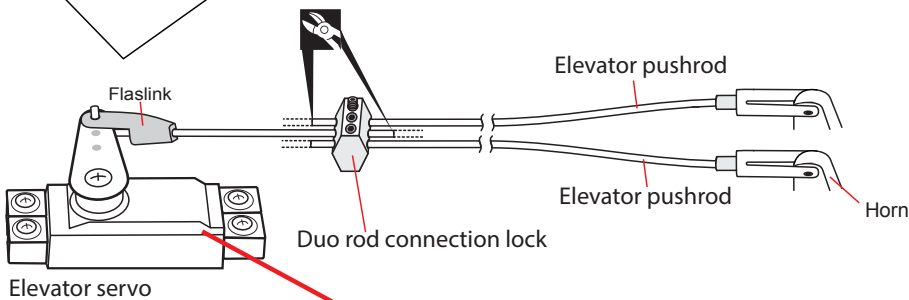
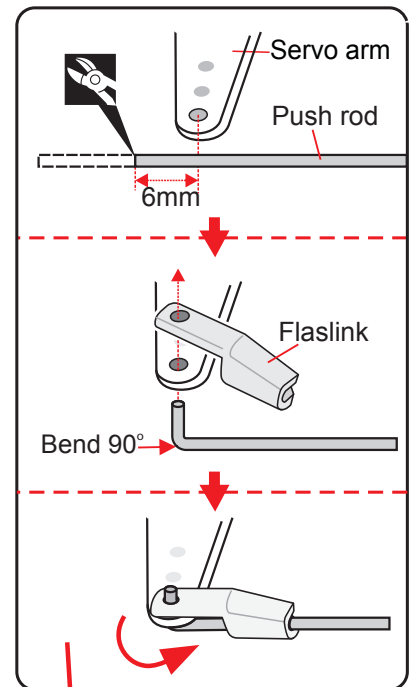
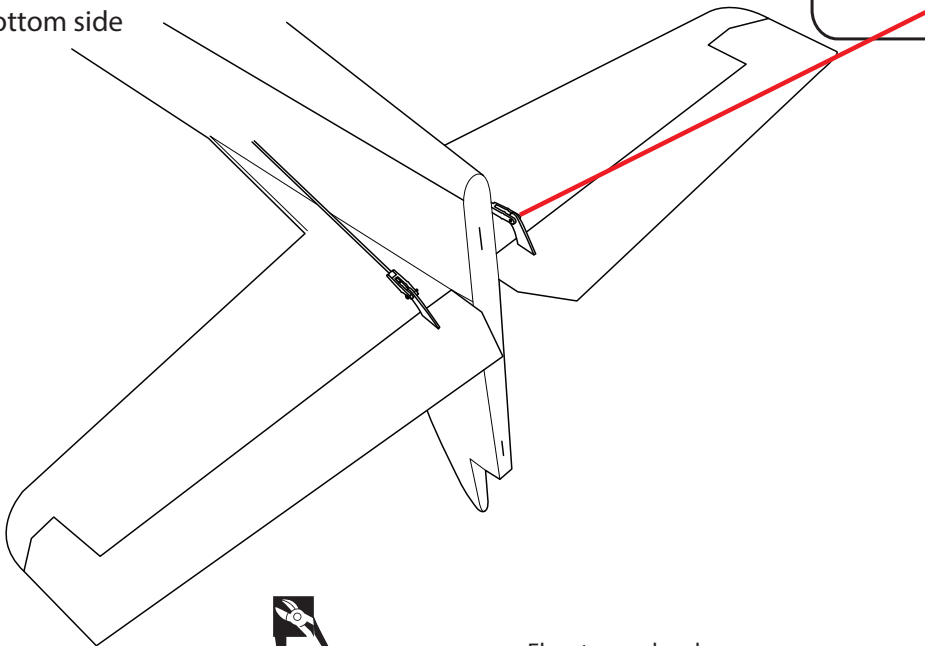


INSTALLING THE CONTROL HORNS AND LINKAGES.

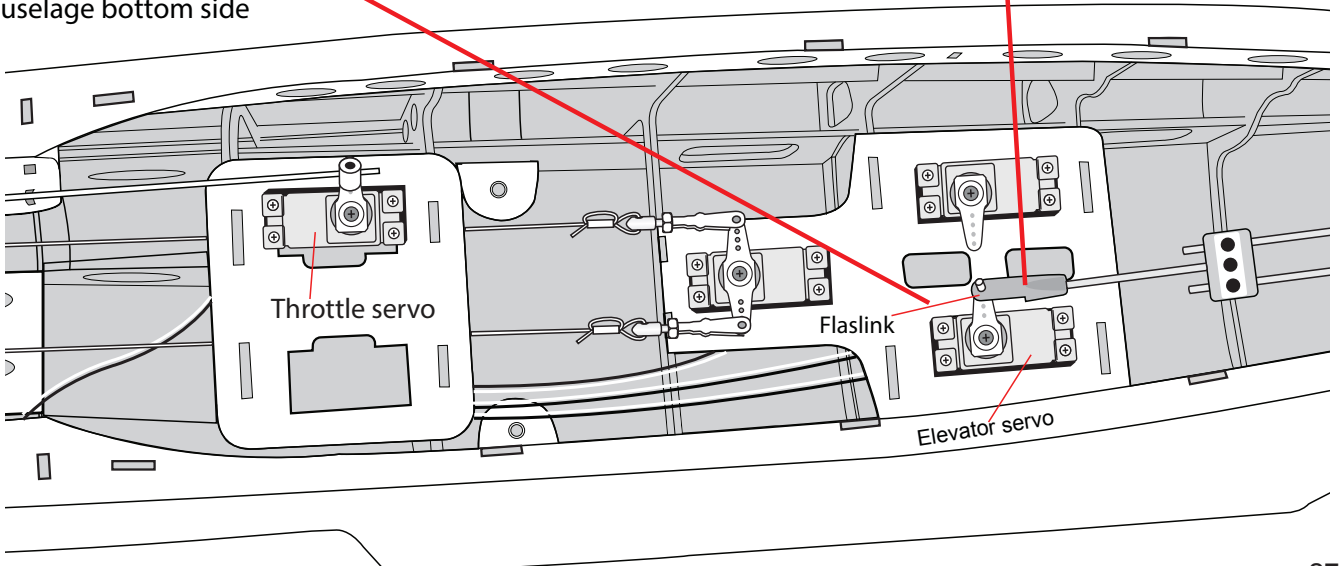
-  Nylon Clevis ----- 2
-  100mm Push rod ----- 2
-  Flaslink ----- 2
-  Horn ----- 2
-  1.7x8 mm Cap Screw ----- 2
-  Duo rod connection lock ----- 1



Bottom side

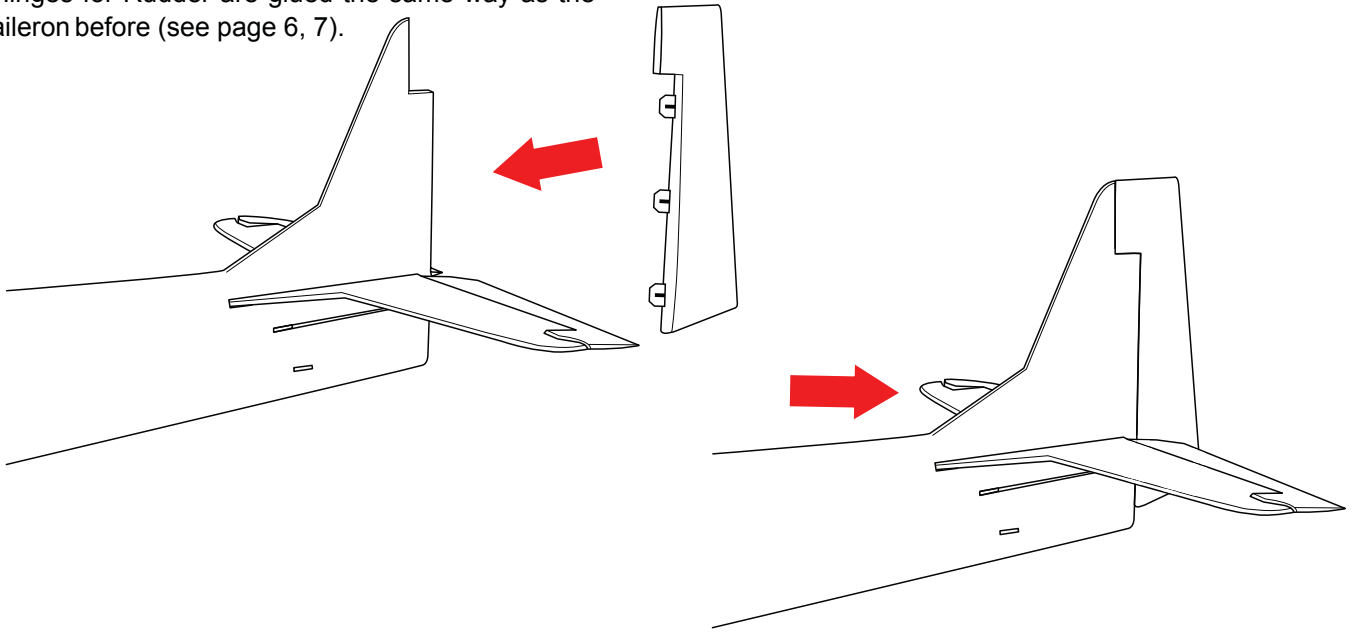


Fuselage bottom side



INSTALLATION THE VERTICAL STABILIZER

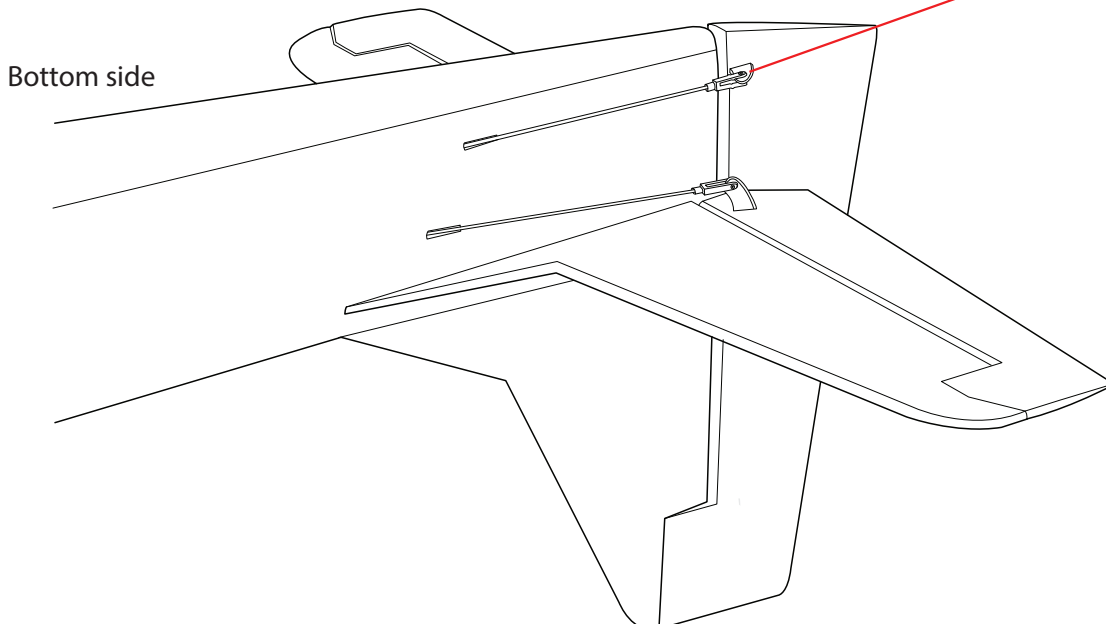
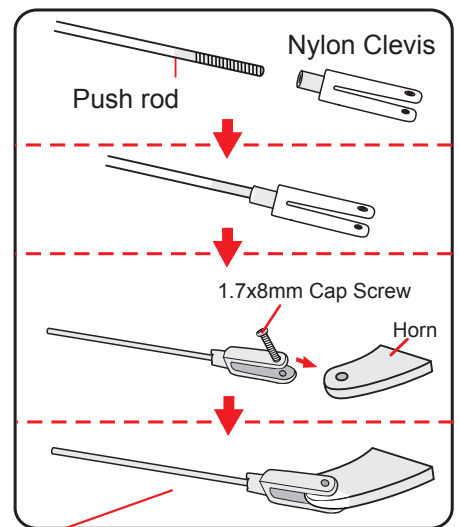
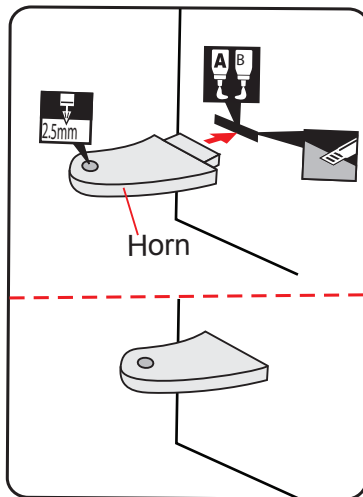
Hinges for Rudder are glued the same way as the aileron before (see page 6, 7).

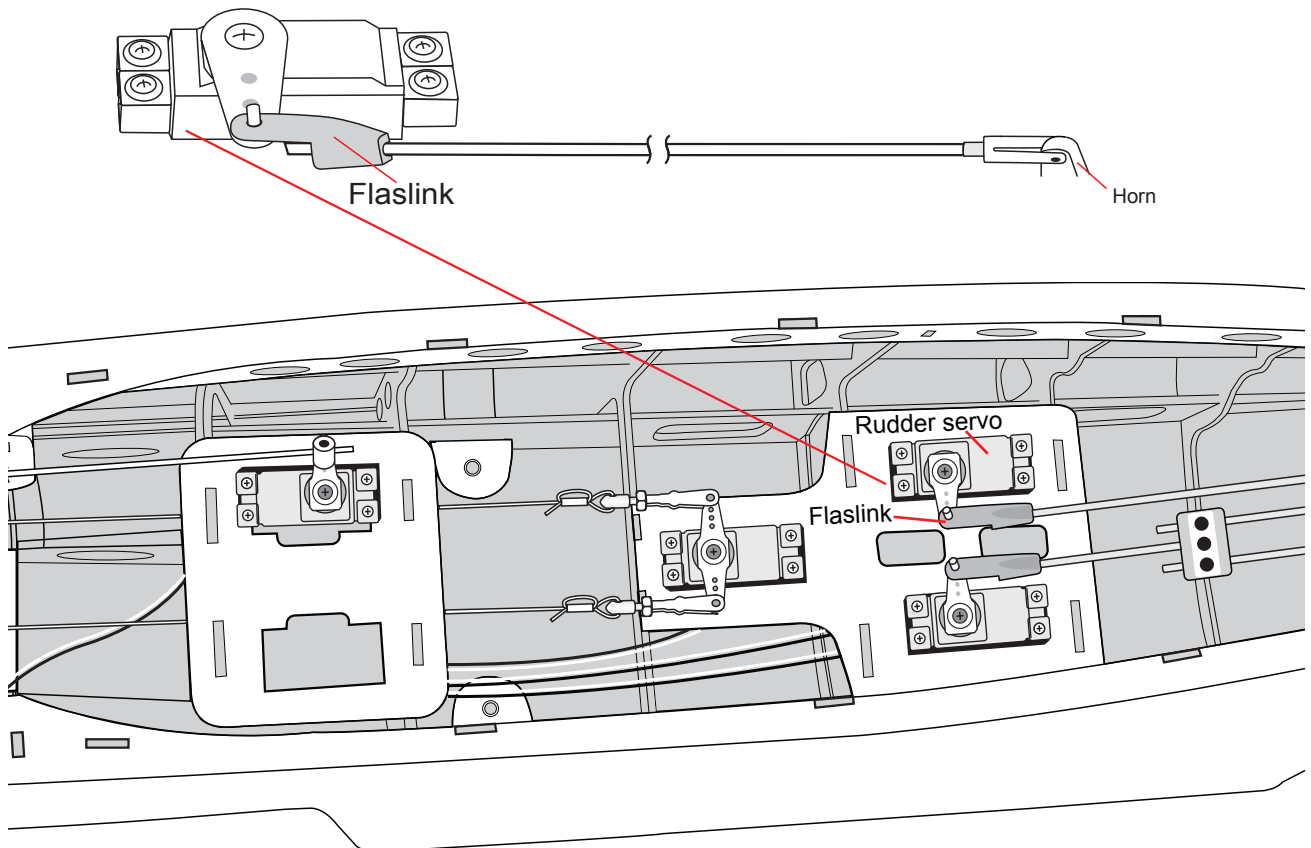


INSTALLING THE CONTROL HORNS AND LINKAGES.

Control horn and linkages for Rudder are installed the same way as the elevator before (see page 8, 9).

- Nylon Clevis ----- 1
- 1000mm Push rod ----- 1
- Flaslink ----- 1
- Horn ----- 1
- 1.7x8 mm Cap Screw ----- 1





INSTALLING THE SWITCH, RECEIVER AND BATTERY

1) Plug the servo leads and the switch lead into the receiver. You may want to plug an aileron extension into the receiver to make plugging in the aileron servo lead easier when you are installing the wing. Plug the battery pack lead into the switch.

2) Wrap the receiver and battery pack in the protective foam to protect them from vibration. Use a rubber band or masking tape to hold the foam in place.

! Do not permanently secure the receiver and battery until after balancing the model.

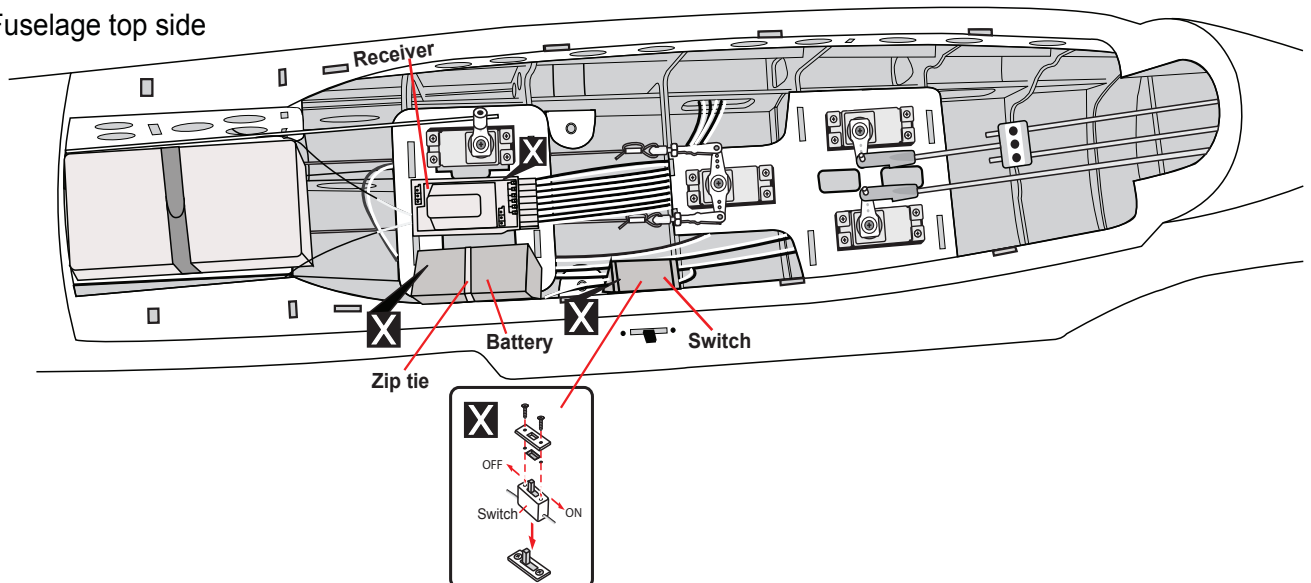
INSTALLING THE SWITCH

1) The switch should be mounted on the fuselage side, opposite the muffler, close enough to the receiver so the lead will reach. Use the face plate of the switch cut out and locate the mounting holes.

2) Cut out the switch hole using a modeling knife. Use a 2mm drill bit and drill out the two mounting holes through the fuselage side.

3) Secure the switch in place using the two machine screws provided with the radio system.

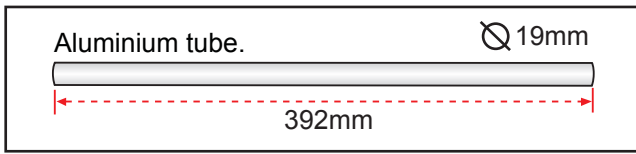
Fuselage top side



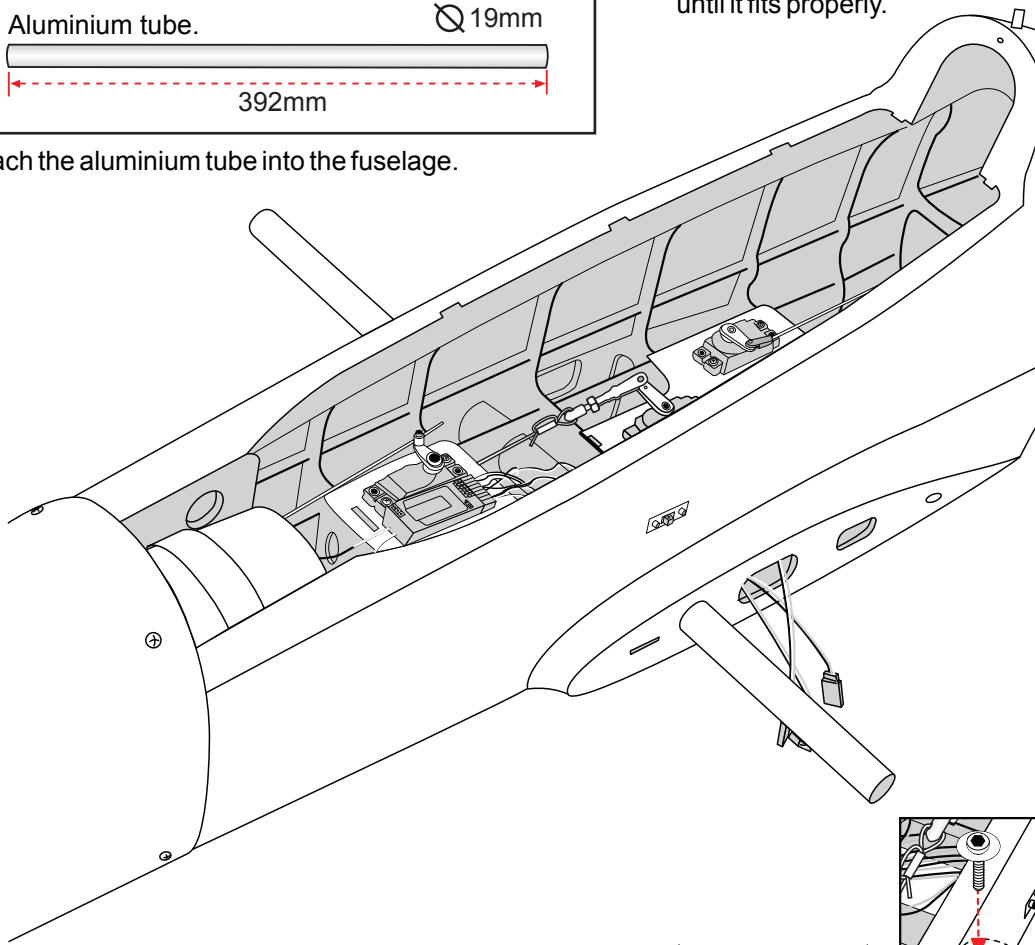
WING ATTACHMENT

Locate the aluminium wing dihedral brace.

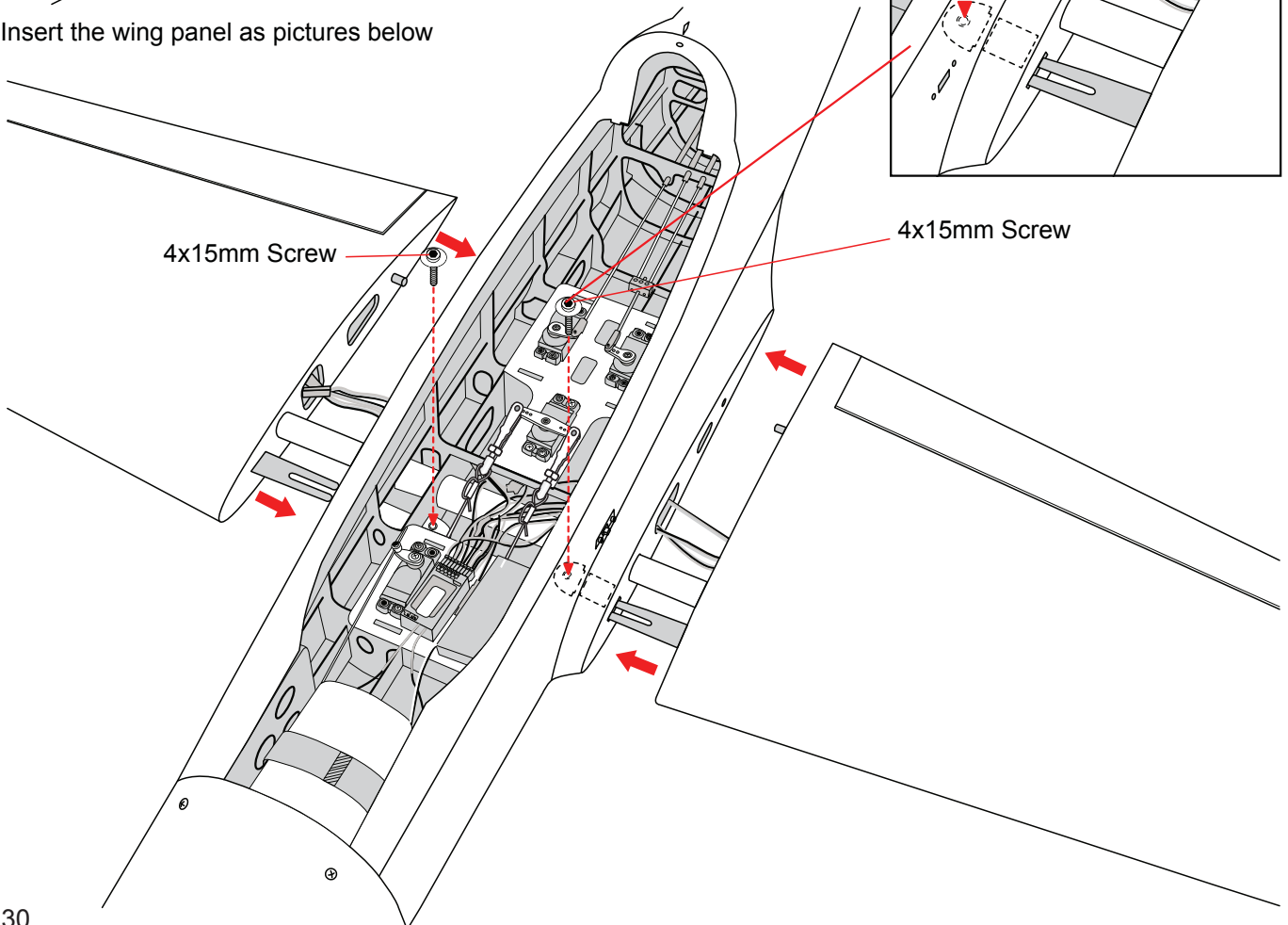
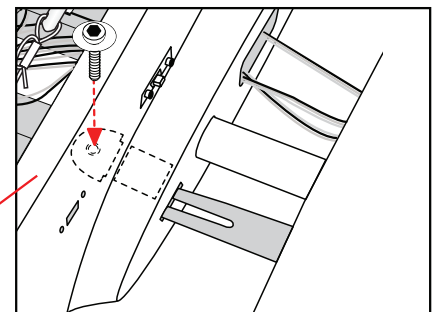
*** Test fit the aluminium tube dihedral brace into each wing haft. The brace should slide in easily. If not, use 220 grit sand around the edges and ends of the brace until it fits properly.



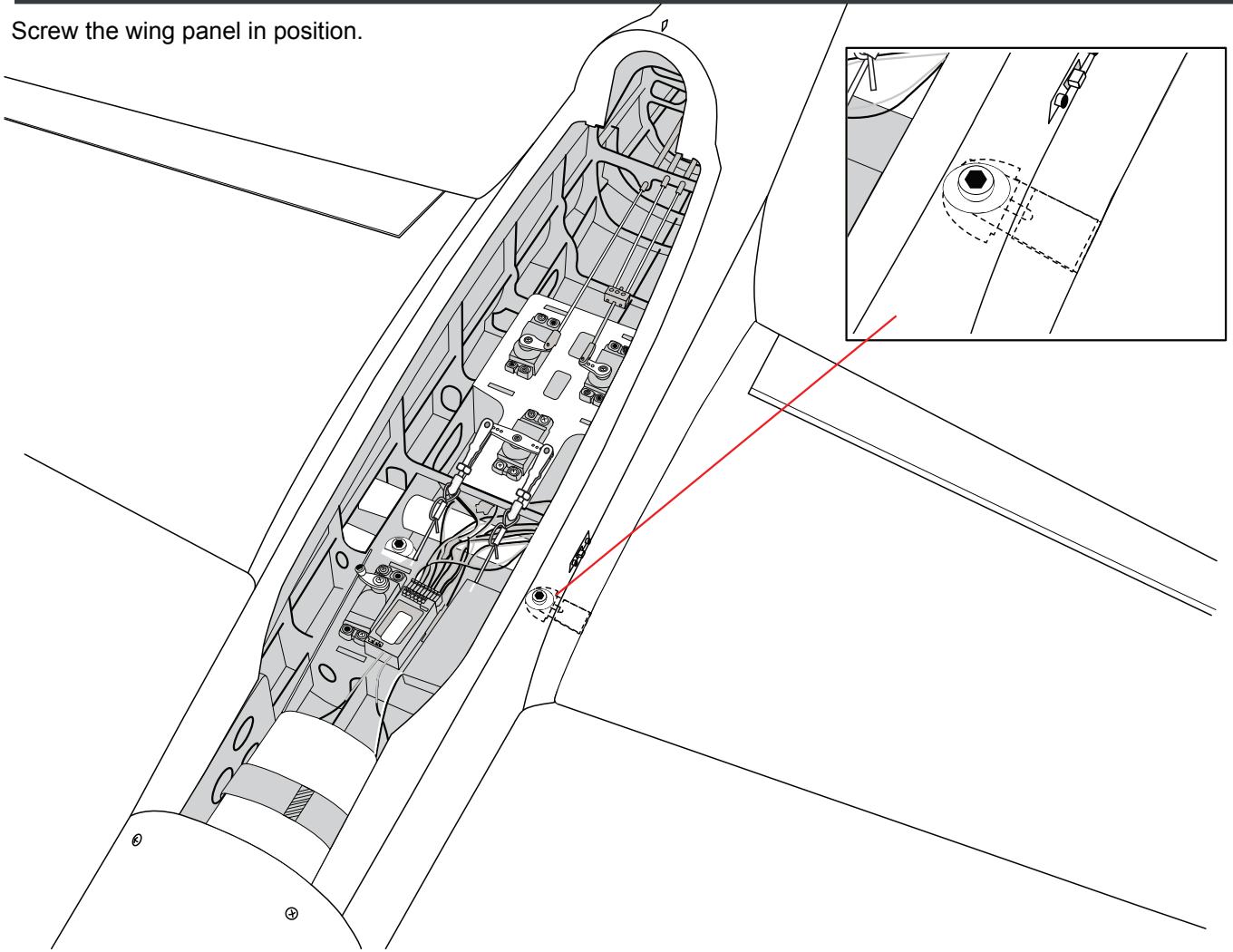
Attach the aluminium tube into the fuselage.



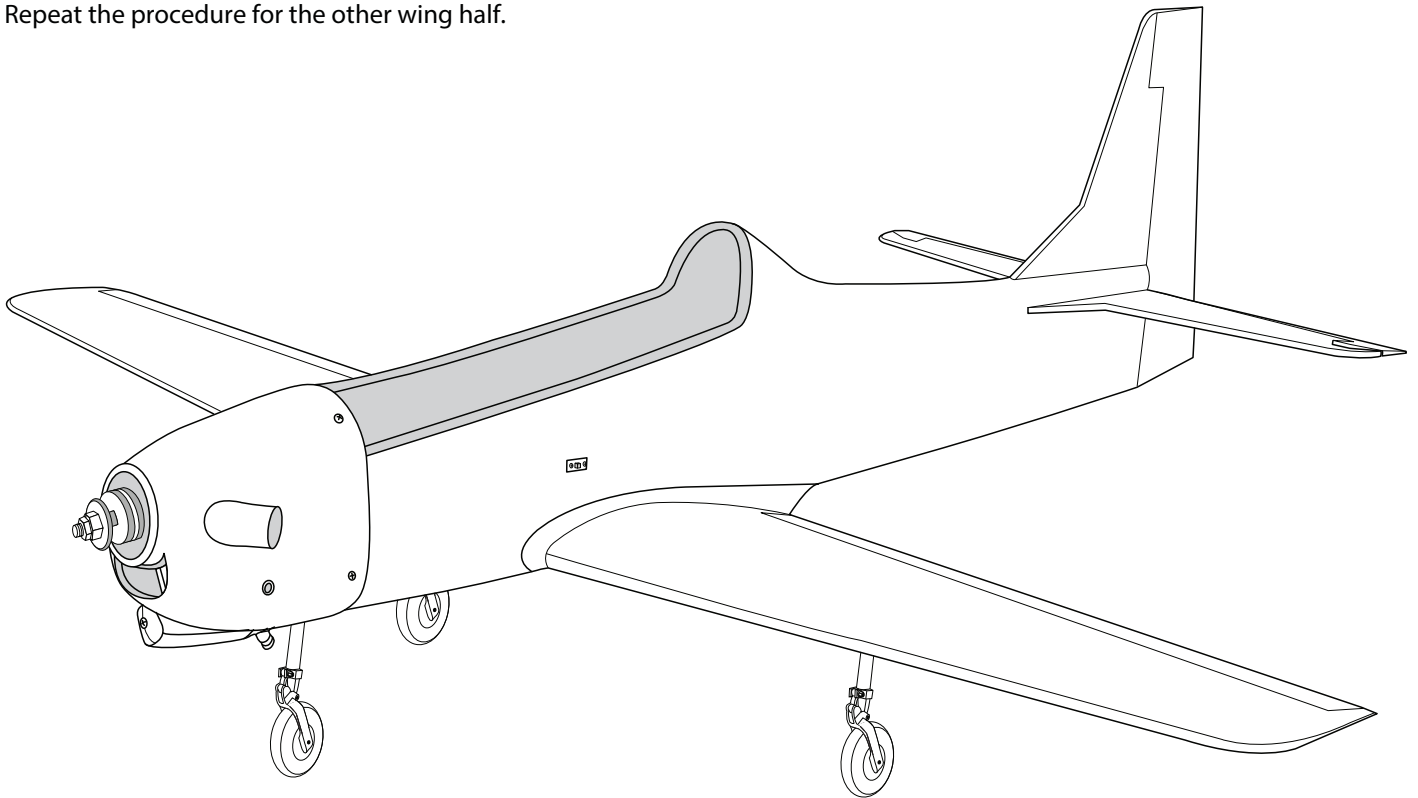
Insert the wing panel as pictures below

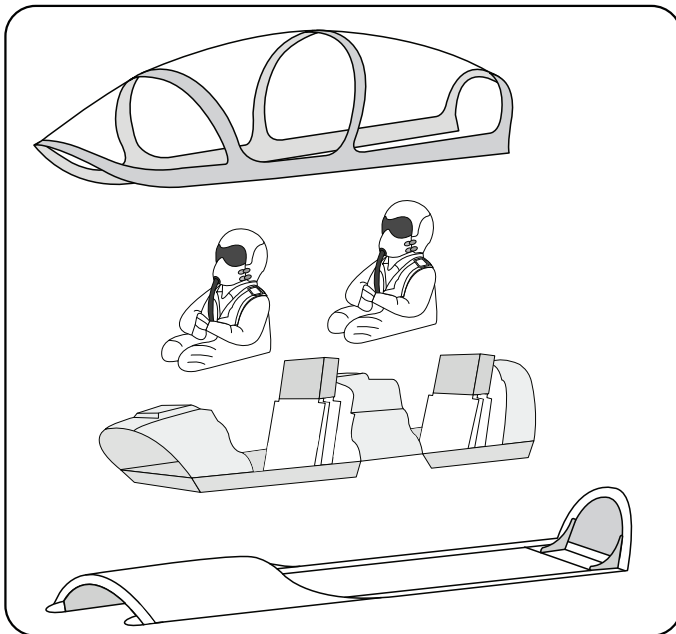


Screw the wing panel in position.

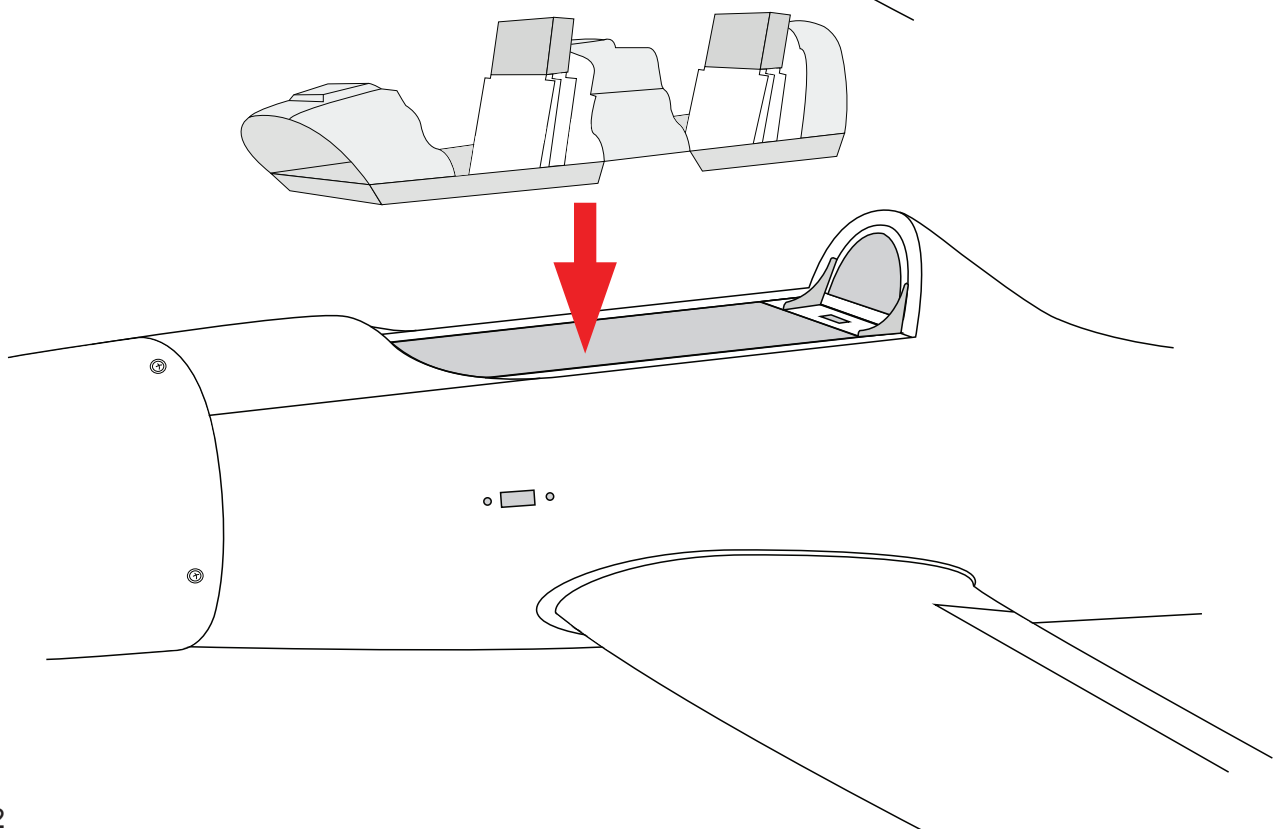
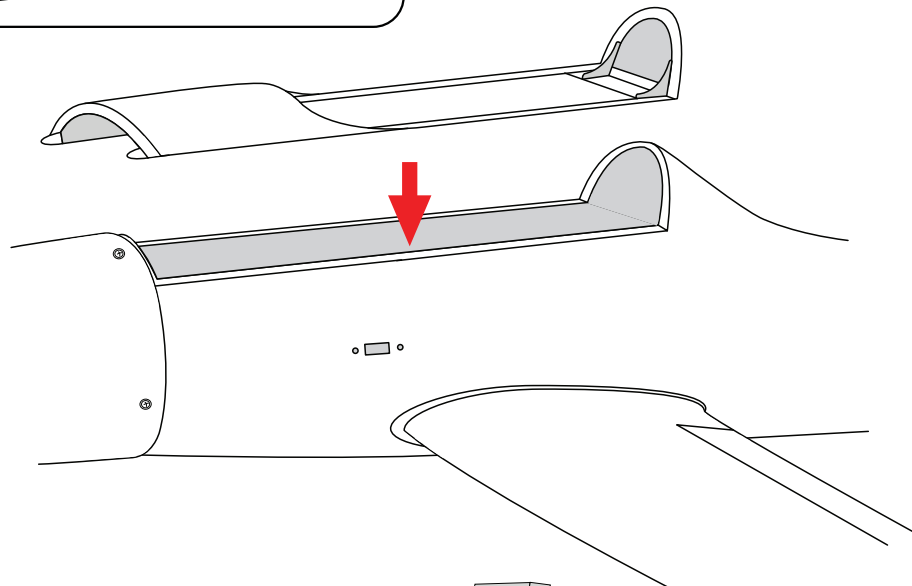


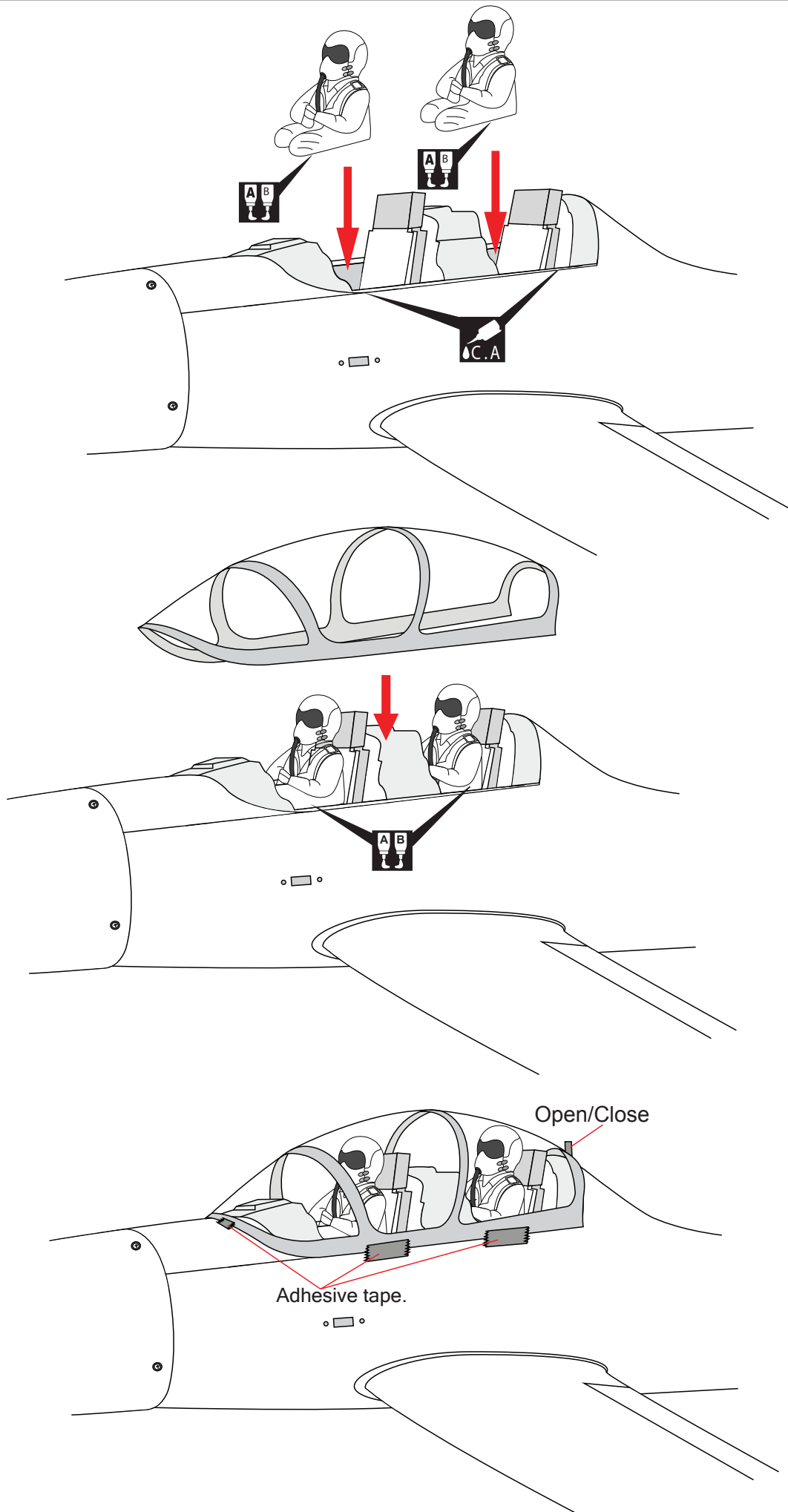
Repeat the procedure for the other wing half.



INSTALLING COCKPIT FUSELAGE

Position the canopy so the rear frame on the canopy is aligned with the rear edge of the cockpit opening. Use canopy glue to secure the canopy to the canopy hatch. Use low-tack tape to hold the canopy in position until the glue fully cures. Wrap the tape completely around the canopy hatch.





INSTALLING THE SPINNER, PROPELLER

* Install the spinner back-plate, propeller and spinner cone. The spinner cone is held in place using two screws.

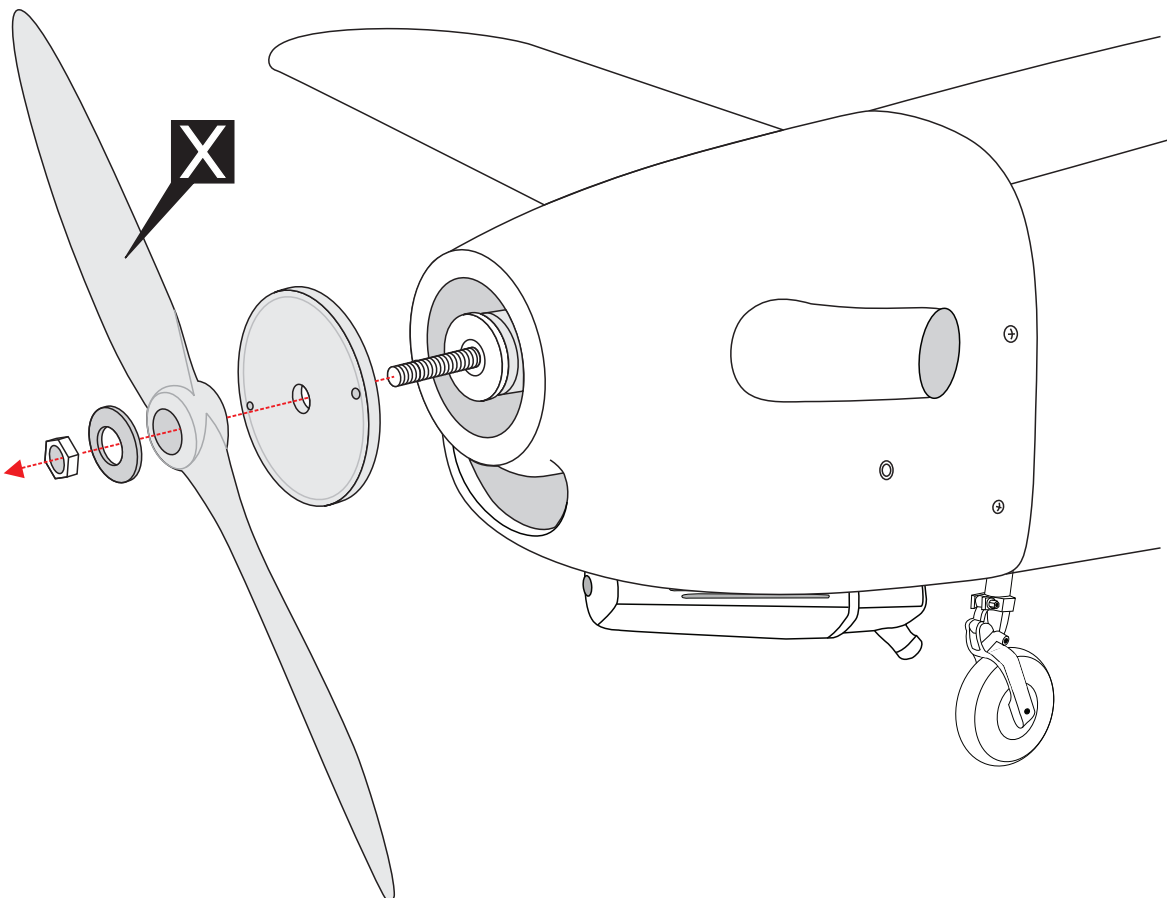
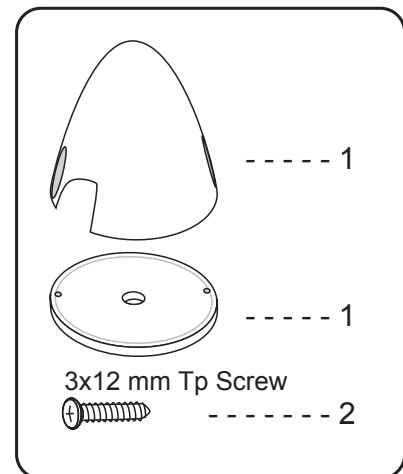


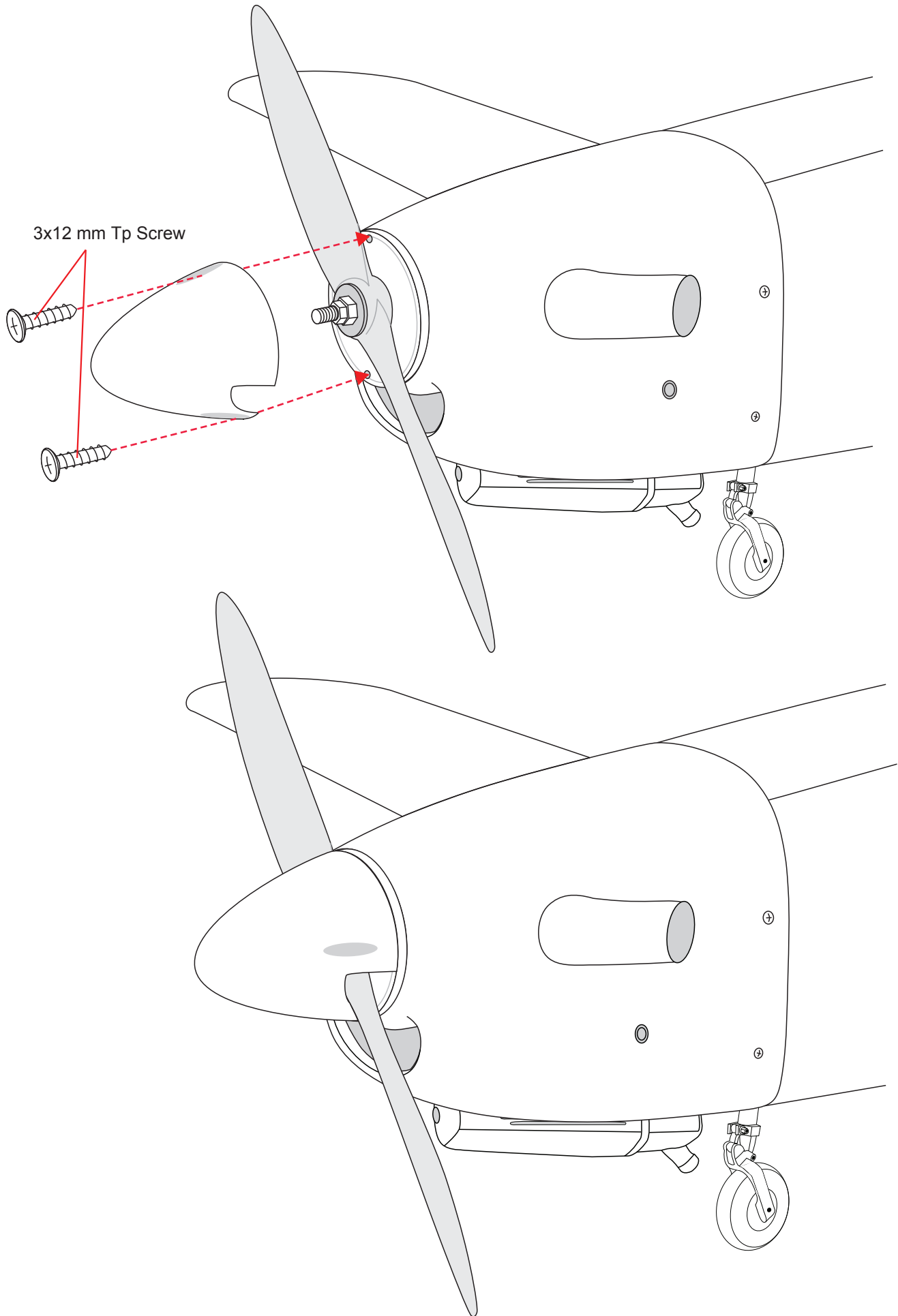
The propeller should not touch any part of the spinner cone. If it does, use a sharp modeling knife and carefully trim away the spinner cone where the propeller comes in contact with it.



Warning!

- ▶ Securely tighten the nut holding the propeller for it not come off when the motor is spinning. If coming off, there is a high risk of injury!
- ▶ Always ensure propeller and spinner are balanced. If unbalanced, vibration may result at high rotation and cause damage or injury.





BALANCING

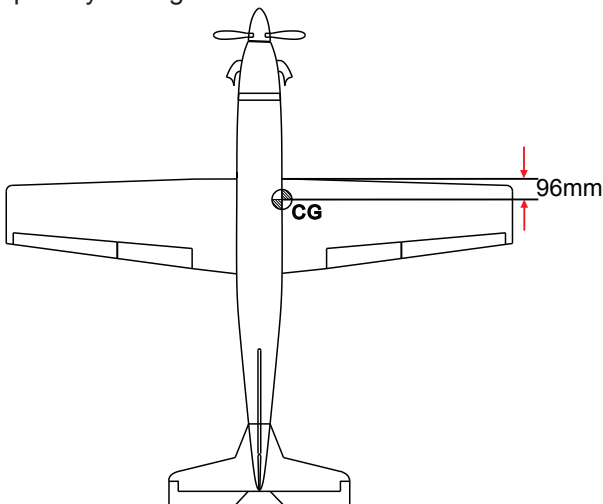
1) It is critical that your airplane be balanced correctly. Improper balance will cause your plane to lose control and crash.

THE CENTER OF GRAVITY IS LOCATED 96MM BACK FROM THE LEADING EDGE OF THE WING. AT THE FUSELAGE. BALANCE A PLANE UPSIDE DOWN WITH THE FUEL TANK EMPTY.

2) Mount the wing to the fuselage. Using a couple of pieces of masking tape, place them on the top side of the wing 96mm back from the leading edge, at the fuselage sides.

3) Turn the airplane upside down. Place your fingers on the masking tape and carefully lift the plane.

4) If the nose of the plane falls, the plane is nose heavy. To correct this first move the battery pack further back in the fuselage. If this is not possible or does not correct it, stick small amounts of lead weight on the fuselage under the horizontal stabilizer. If the tail of the plane falls, the plane is tail heavy. To correct this, move the battery and receiver forward or if this is not possible, stick weight into the firewall. When balanced correctly, the airplane should sit level or slightly nose down when you lift it up with your fingers.



LATERAL BALANCE



After you have balanced a plane on the C.G. You should laterally balance it. Doing this will help the airplane track straighter .

1) Turn the airplane upside down. Attach one loop of heavy string to the engine crankshaft and one to the tail wheel wire. With the wings level, carefully lift the airplane by the string. This may require two people to make it easier.

2) If one side of the wing falls, that side is heavier than the opposite. Add small amounts of lead weight to the bottom side of the lighter wing half's wing tip. Follow this procedure until the wing stays level when you lift the airplane.

CONTROL THROWS

1) We highly recommend setting up a plane using the control throws listed.

2) The control throws should be measured at the widest point of each control surface.

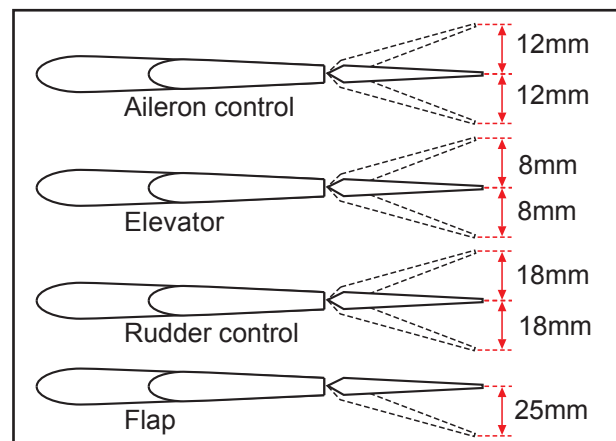
3) Check to be sure the control surfaces move in the correct directions.

Low rate:

- Aileron: 12 mm up 12 mm down
- Elevator: 8 mm up 8 mm down
- Rudder: 18 mm right 18 mm left
- Flap: 25mm

High rate:

- Aileron: 16mm up 16 mm down
- Elevator: 14 mm up 14 mm down
- Rudder: 30 mm right 30 mm left



PRE-FLIGHT CHECK

1) Completely charge your transmitter and receiver batteries before your first day of flying.

2) Check every bolt and every glue joint in your plane to ensure that everything is tight and well bonded.

3) Double check the balance of the airplane.

4) Check the control surface.

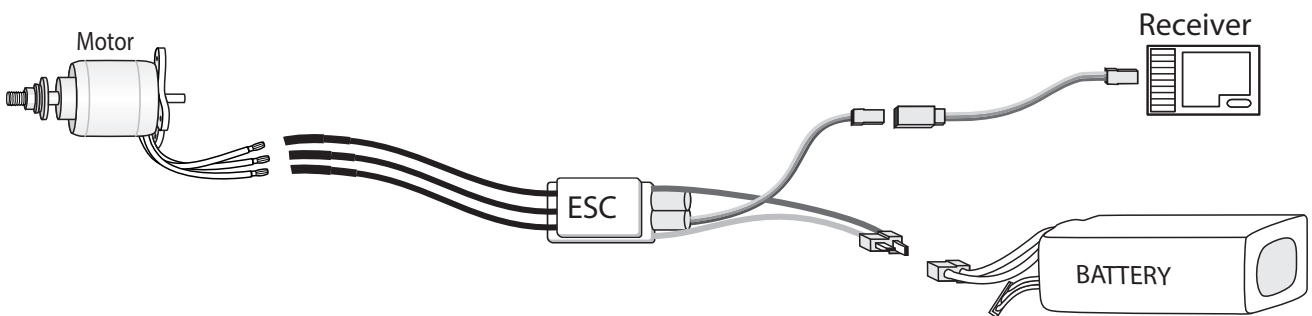
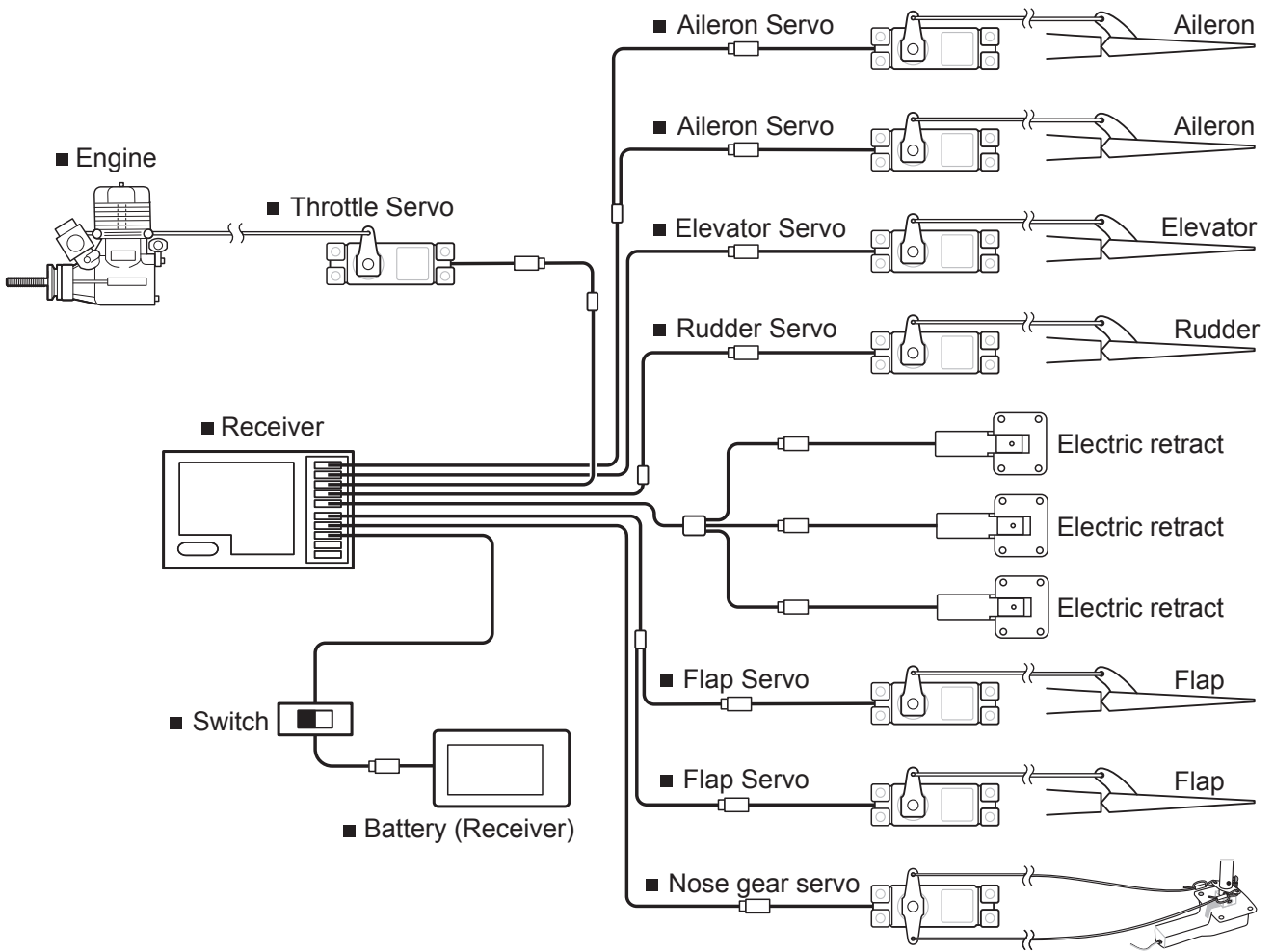
5) Check the receiver antenna. It should be fully extended and not coiled up inside the fuselage.

6) Properly balance the propeller.

FOR YOUR RADIO INSTALLATION BASIC CONNECTION FOR AIRPLANE AND ADJUSTMENT OF SERVOS

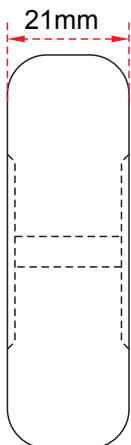
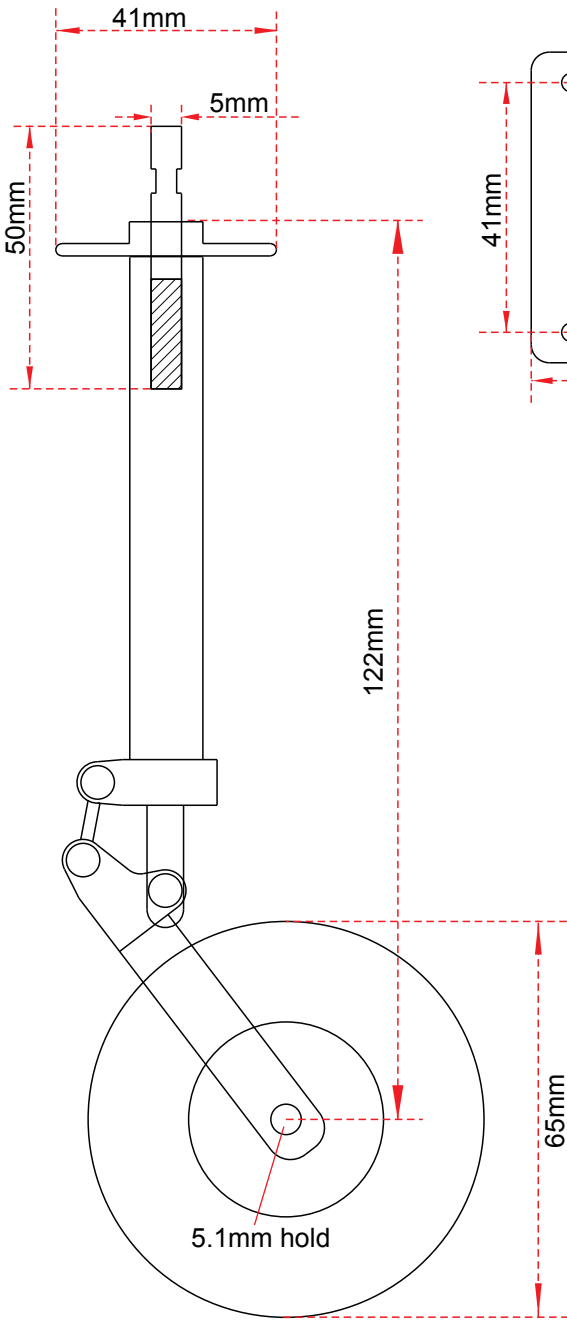
Example of connection

- For more information, refer to radio system instruction manual.
- Follow instruction manual of Engine and Battery.

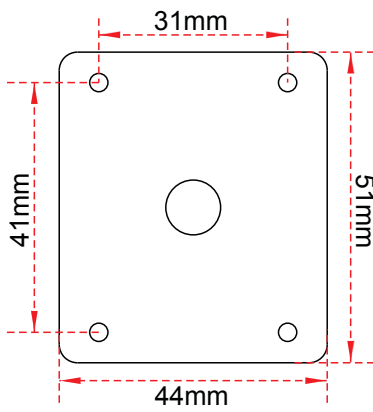


MAIN GEAR DIMENSIONAL DETAIL

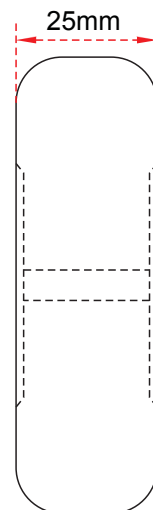
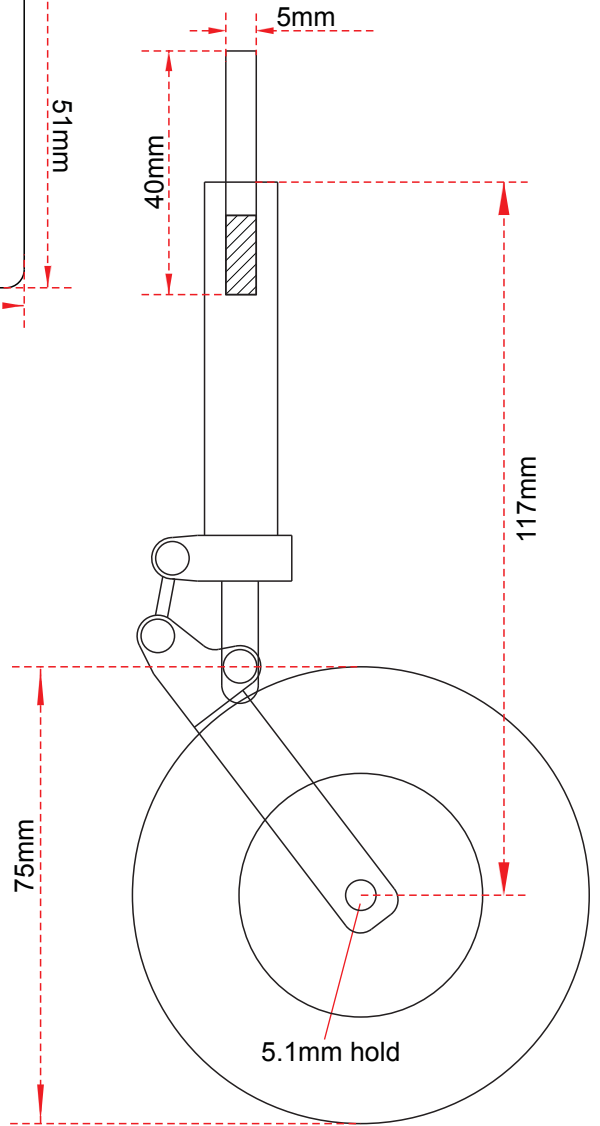
NOSE GEAR STRUTS



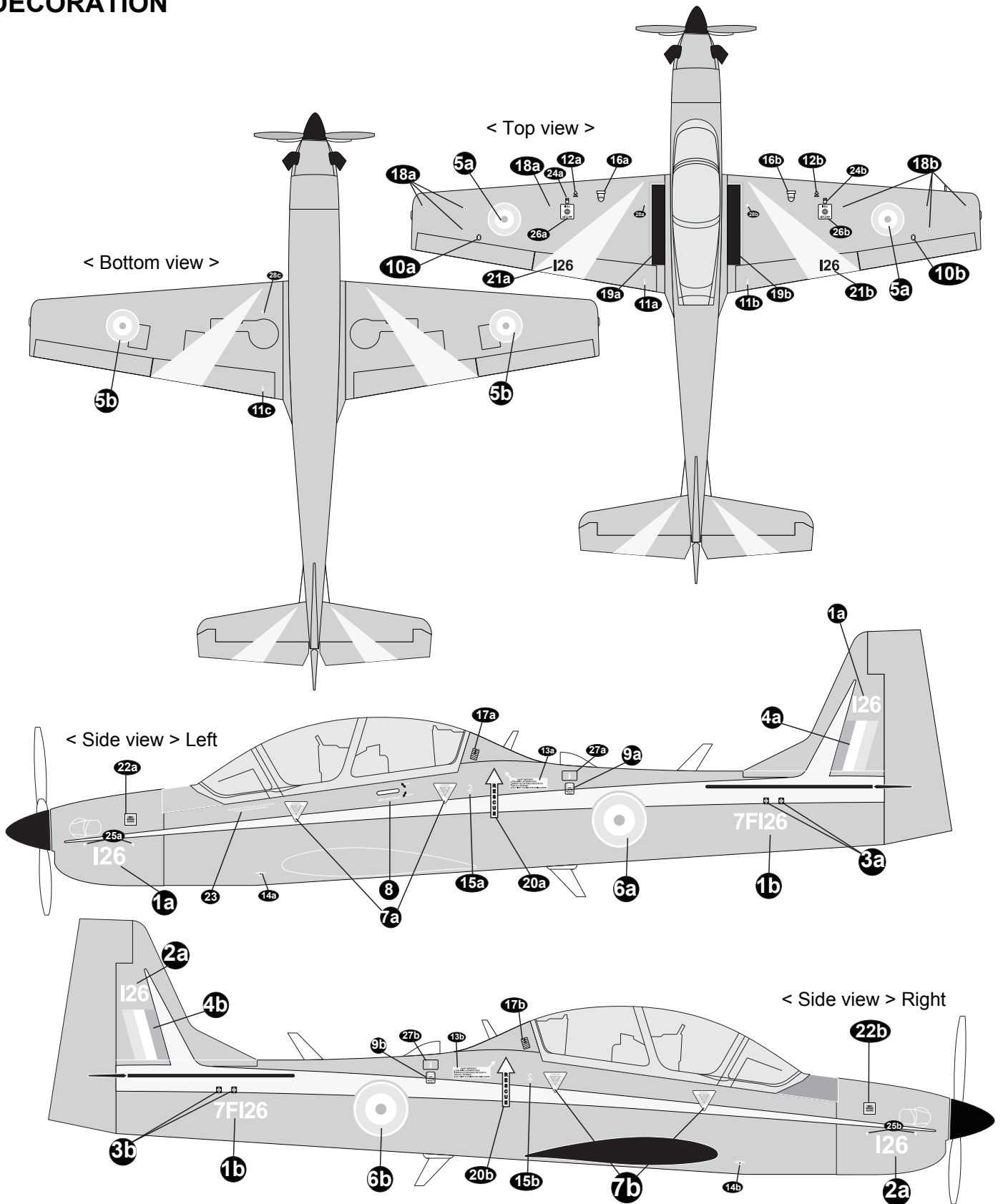
LANDING GEAR MOUNT.



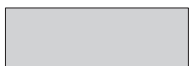
MAIN GEAR STRUTS



DECORATION



ORACCOVER

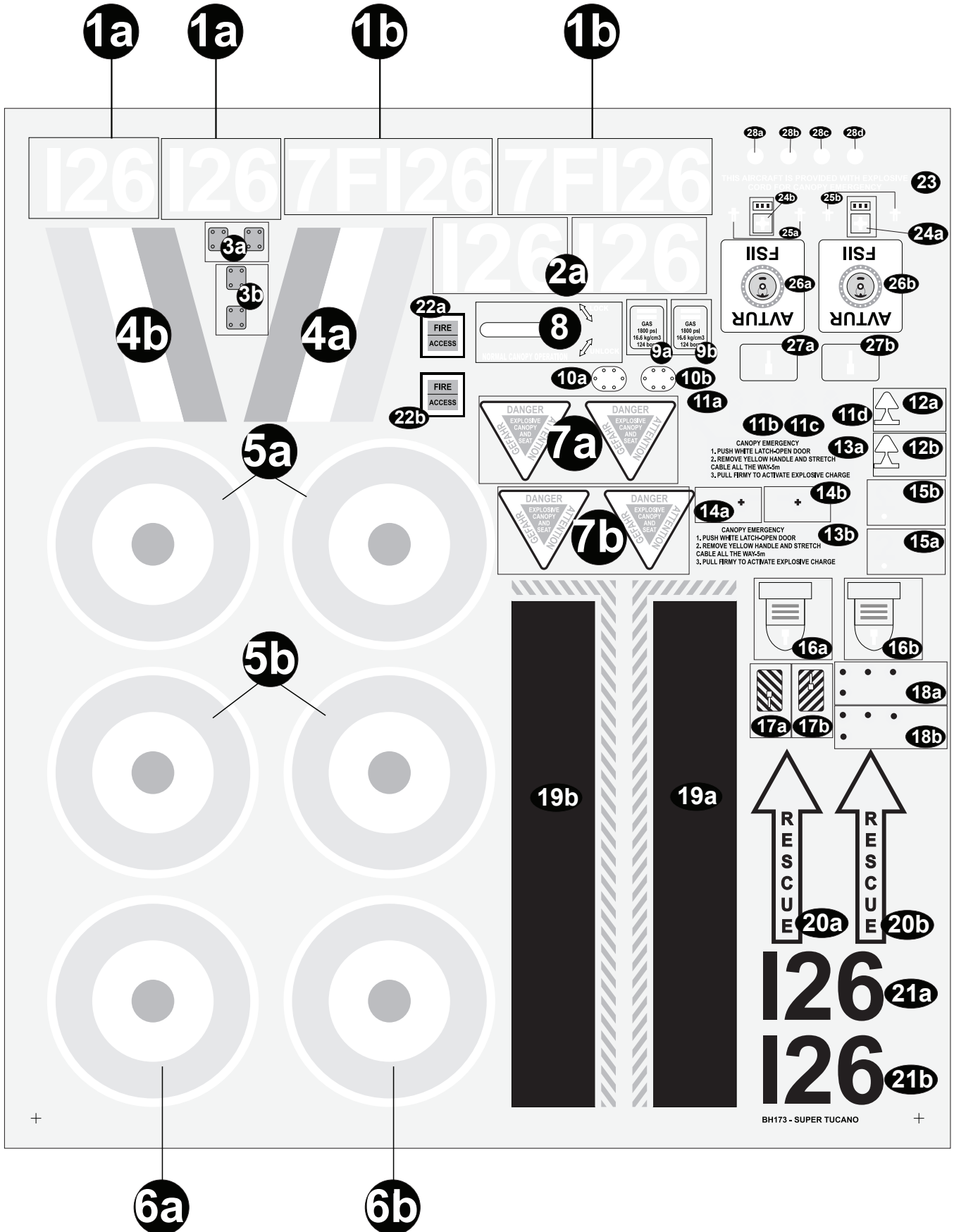


#21-019 - Corsair Blue

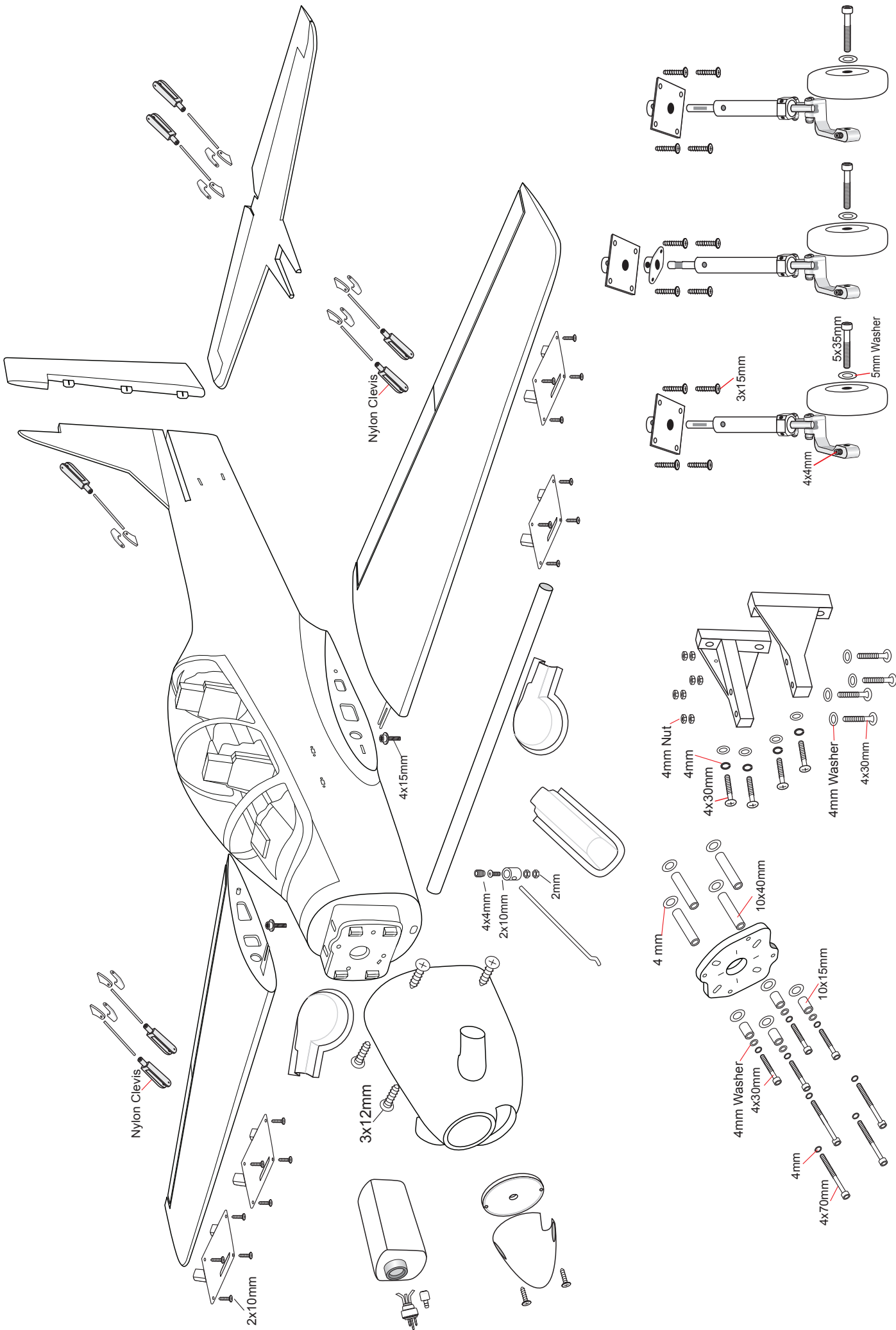


#21-030 - Cub Yellow

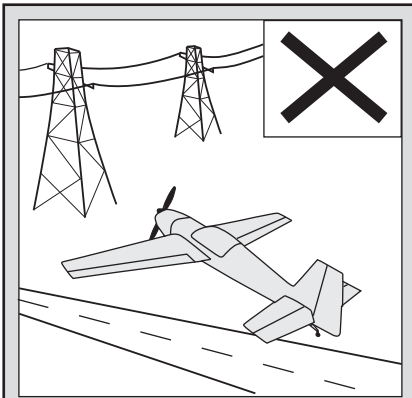
DECAL SHEET



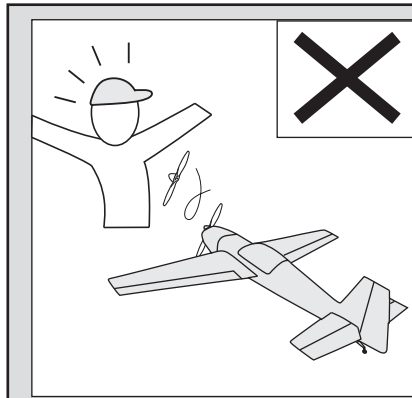
BH173 - SUPER TUCANO



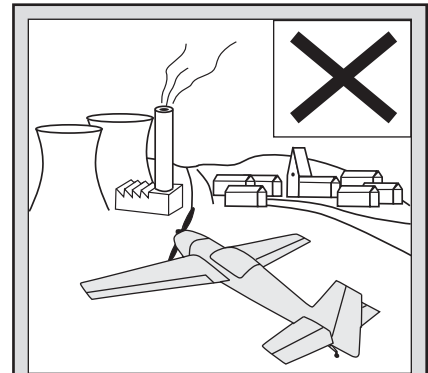
I/C FLYING WARNINGS



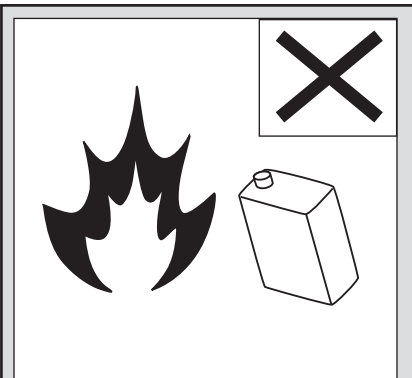
NEVER fly near power lines, aerials or other dangerous areas including airports, motorways etc.



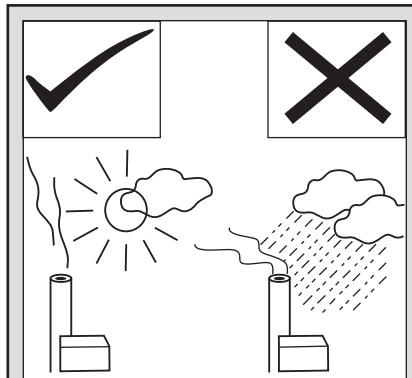
ALWAYS adjust the engine from behind the propeller, and do not allow any part of your body to be in line with the propeller.



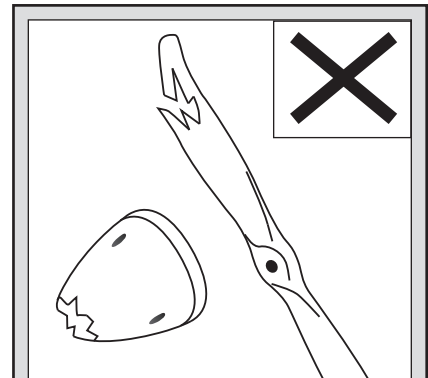
Always operate in open areas, away from factories, hospitals, schools, buildings and houses etc. NEVER fly your aircraft close to people or built up areas.



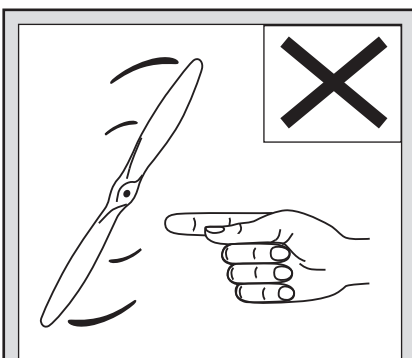
DO NOT dispose of empty fuel containers on a fire, this can lead to an explosion.



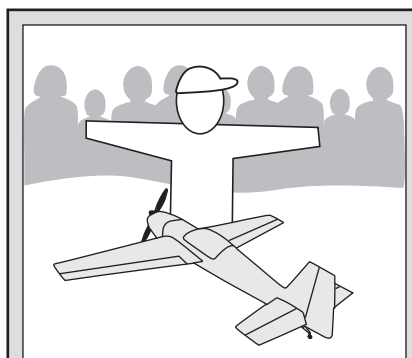
NEVER fly in wet conditions or on windy or stormy days.



NEVER use damaged or deformed propellers or spinners.

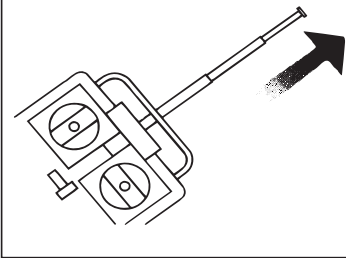


THE PROPELLER IS DANGEROUS. Keep fingers, clothing (ties, shirt sleeves, scarves) or any other loose objects that could be caught or drawn in, away from the propeller. Take care at ALL times.

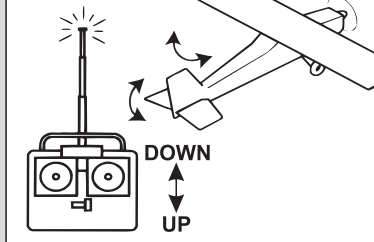


Keep all onlookers (especially small children and animals) well back from the area of operation. This is a flying aircraft, which will cause serious injury in case of impact with a person or animal.

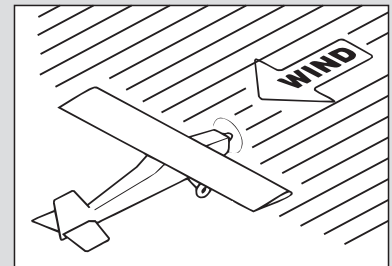
I/C FLYING GUIDELINES



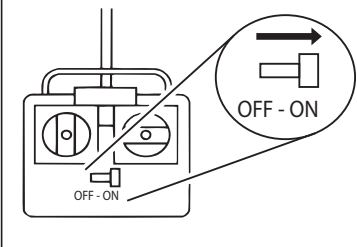
When ready to fly, first extend the transmitter aerial.



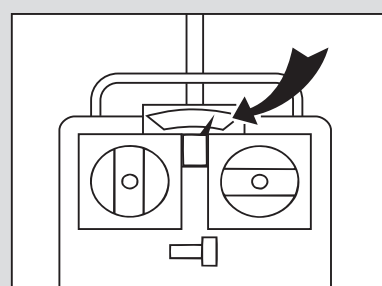
Operate the control sticks on the transmitter and check that the control surfaces move freely and in the CORRECT directions.



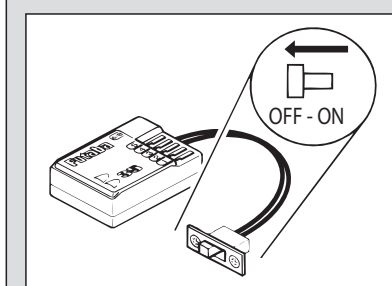
ALWAYS land the model INTO the wind, this ensures that the model lands at the slowest possible speed.



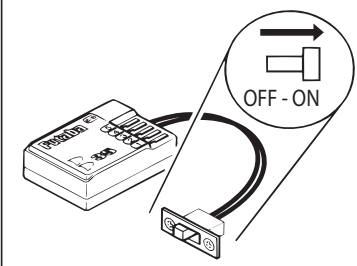
Switch on the transmitter.



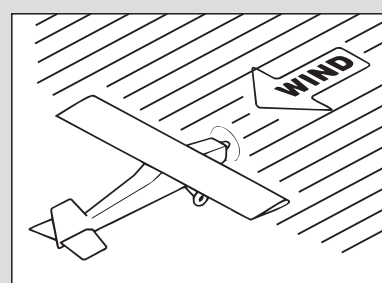
Check that the transmitter batteries have adequate power.



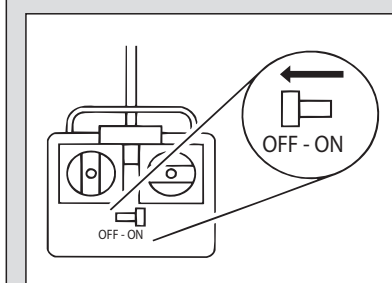
Switch off the receiver.



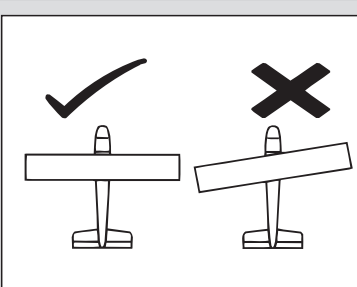
Switch on the receiver.



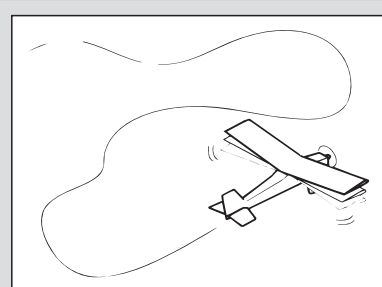
ALWAYS take off into the wind.



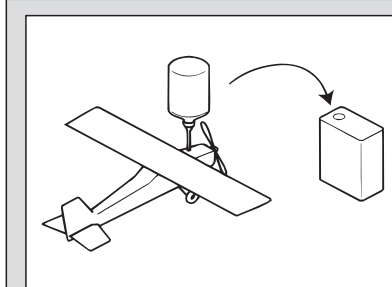
Switch off the transmitter.



Check that the wings are correctly fitted to the fuselage.



If the model does not respond correctly to the controls, land it as soon as possible and correct the fault.



Empty the fuel tank after flying, fuel left in the tank can cause corrosion and lead to engine problems.