

Radio control model

R/C Flugmodell

INSTRUCTION MANUAL MONTAGEANLEITUNG

DE HAVILLAND DHC 2 BEAVER

Designed for brushless electric motors (.46-.52 class glow conversion optional)

Entwickelt für Brushless Elektro Motoren (7,5 -8,5cc Glühzündermotor Einbau möglich)



VQA064



VQA088

Floats available as an option! (VQA060FL/FL1/FL2)



TECHNISCHE DATEN

Spannweite	1620mm
Länge	1115mm
Elektroantrieb	(siehe nächste Seite)
Verbrennerantrieb	7.5cc 2-T / 8.5cc 4-T
Fernsteuerung	4 Kanal / 4 -5 Servos

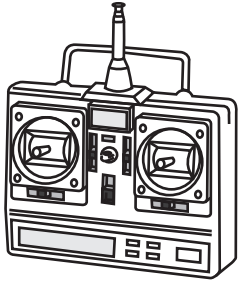
SPECIFICATIONS

Wingspan	63.7in.
Length	43.9 in.
Electric Motor	(See next page)
Glow Engine	.46 2Stroke / .52 4-Stroke
Radio	4 Channel / 4 -5 Servos

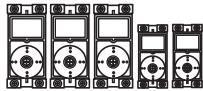
WARNING! This radio controlled model is NOT a toy. If modified or flown carelessly it could go out of control and cause serious human injury or property damage. Before flying your airplane, ensure the air field is spacious enough. Always fly it outdoors in safe areas and seek professional advice if you are unexperienced.

ACHTUNG! Dieses ferngesteuerte Modell ist KEIN Spielzeug! Es ist für fortgeschrittene Modellflugpiloten bestimmt, die ausreichende Erfahrung im Umgang mit derartigen Modellen besitzen. Bei unsachgemäßer Verwendung kann hoher Personen- und/oder Sachschaden entstehen. Fragen Sie in einem Modellbauverein in Ihrer Nähe um professionelle Unterstützung, wenn Sie Hilfe im Bau und Betrieb benötigen. Der Zusammenbau dieses Modells ist durch die vielen Abbildungen selbsterklärend und ist für fortgeschrittene, erfahrene Modellbauer bestimmt.

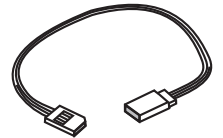
REQUIRED FOR OPERATION (Purchase separately) BENÖTIGTE KOMPONENTEN (Nicht im Lieferumfang enthalten)



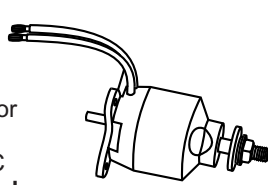
Minimum 5 channel radio for airplane / 5 servo
Motor x1, rudder x1, elevator x1 aileron x2 (mini servo)
Minimum 5 Kanal Fernsteuerung / 5 servo



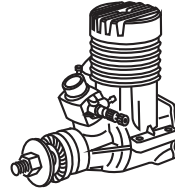
Propeller 11x8 for electric motor / 11x6 for glow engine
Luftschraube 11x8 für Elektromotor / 11x6 für Verbrennungsmotor



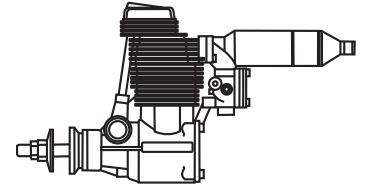
Extension cord
Servoverlängerungskabel



Brushless Motor
870W
Brushless ESC
Brushless Regler
Battery / Flugakku **14.8V - 3700mAh**



.46 cu.in. (7.5cc)



.52 cu.in (8.5cc)

Cyanoacrylate Glue
Sekundenkleber

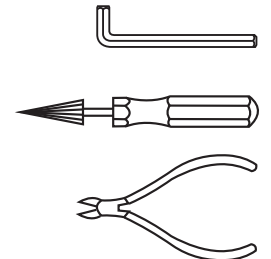
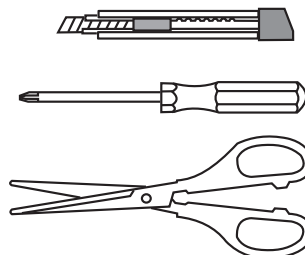
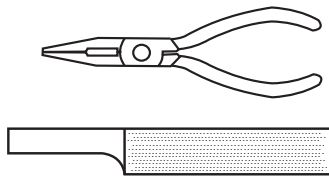


Silicon Glue
Silikonkleber



Epoxy Glue (30 minutes type)
Epoxy-Klebstoff (30min)


Tool Required/ Erforderliches Werkzeug





The pre-covered film on ARF kit may wrinkle due to variations of temperature. Store model in a cool and dry place for awhile. Then, starting with low heat, you may carefully use a hair dryer to smooth out wrinkles.


Die Bespannung des Modells kann durch Temperatureinflüsse erschlaffen oder Falten werfen z.B. bei zu starker Sonneneinstrahlung oder Hitze. Stellen Sie das Modell zunächst an einen kühlen Platz für eine bestimmte Zeit. Danach können Sie versuchen die restlichen Falten vorsichtig mit einem Haartrockner zu behandeln.





 Drill holes using the stated size of drill (in this case 1.5 mm Ø)


 Take particular care here


 Hatched-in areas: remove covering film carefully

 Check during assembly that these parts move freely, without binding

 Use epoxy glue

 Apply cyano glue


 Assemble left and right sides the same way.

 Not included. These parts must be purchased separately

 Löcher bohren mit dem angegebenen Bohrer (hier 1,5 mm)

 Hier besonders aufpassen

 Schraffierte Stellen, Bespannfolie vorsichtig entfernen

 Während des Zusammenbaus immer prüfen, ob sich die Teile auch reibungslos bewegen lassen

 Epoxy-Klebstoff verwenden

 Sekundenkleber auftragen

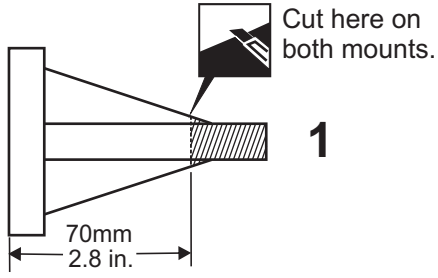
 Linke und rechte Seite wird gleichermaßen zusammengebaut

 Nicht enthalten. Teile müssen separat gekauft werden.

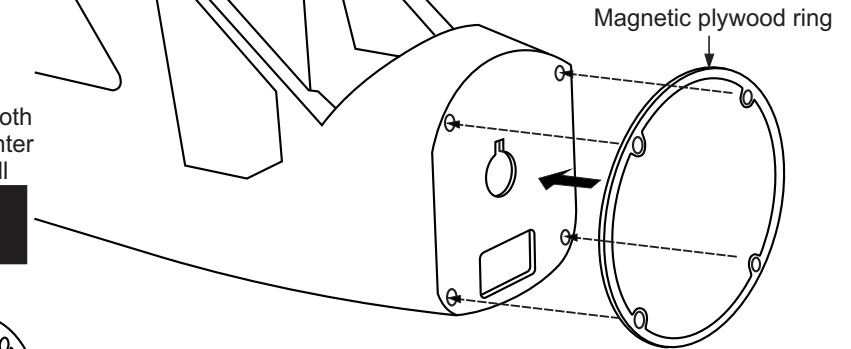
CONVERSION TABLE

1.0mm = 3/64"	3.0mm = 1/8"	10mm = 13/32"	25mm = 1"
1.5mm = 1/16"	4.0mm = 5/32"	12mm = 15/32"	30mm = 1-3/16"
2.0mm = 5/64"	5.0mm = 13/64"	15mm = 19/32"	45mm = 1-51/64"
2.5mm = 3/32"	6.0mm = 15/64"	20mm = 51/64"	

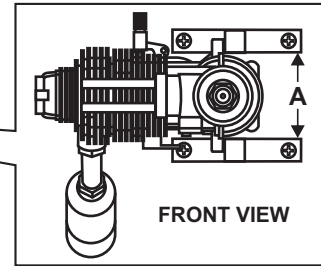
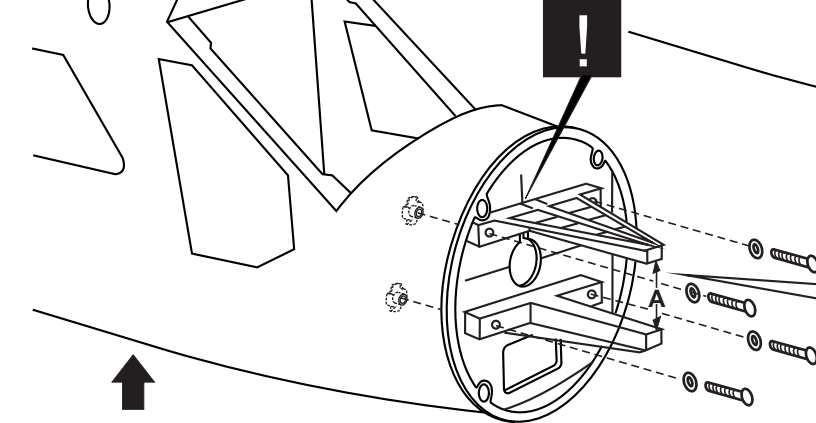
1- Engine and Cowling / Motor und Motorhaube



2 Place the magnetic plywood ring on to the fire-wall as shown.



Align the mark on both mounts with the center mark on the fire-wall

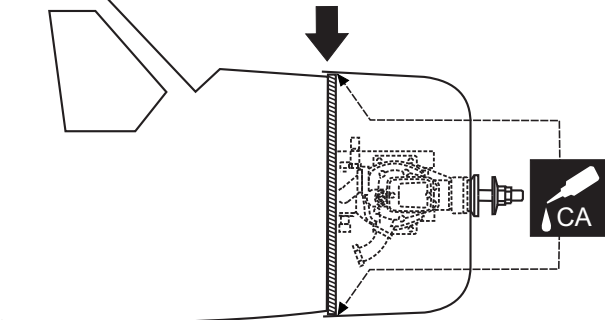


4 Position the engine on the engine mount beams so the distance from the prop hub to the fire-wall is 90mm/3.5" in case of 2T engine or 97mm/3.8" in case of 4T engine.

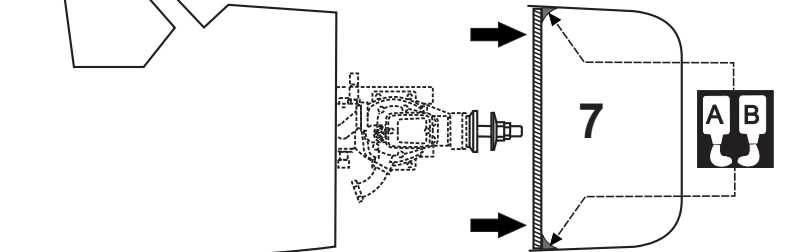


5 Trim the cowling for engine and muffler. Then, position the cowling in place

6 Fix the cowling with the magnetic plywood ring using litter CA glue.



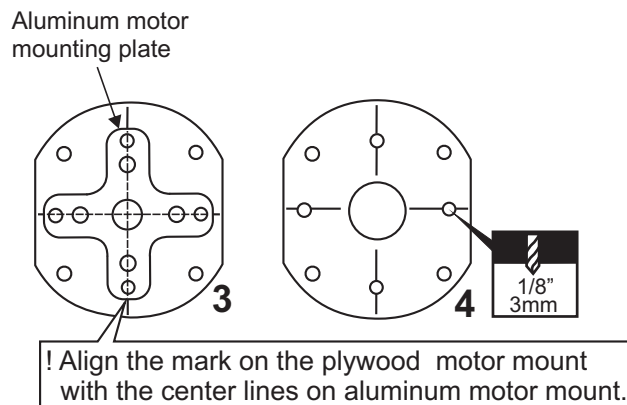
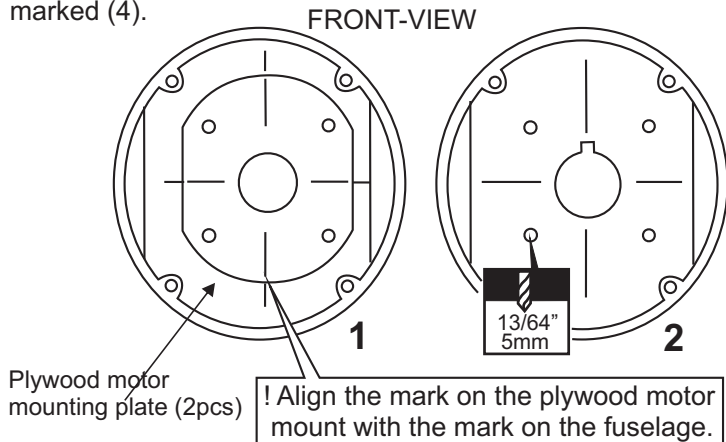
Remove the cowling and glue with Epoxy glue.



2- Motor mount / Motoreinbau

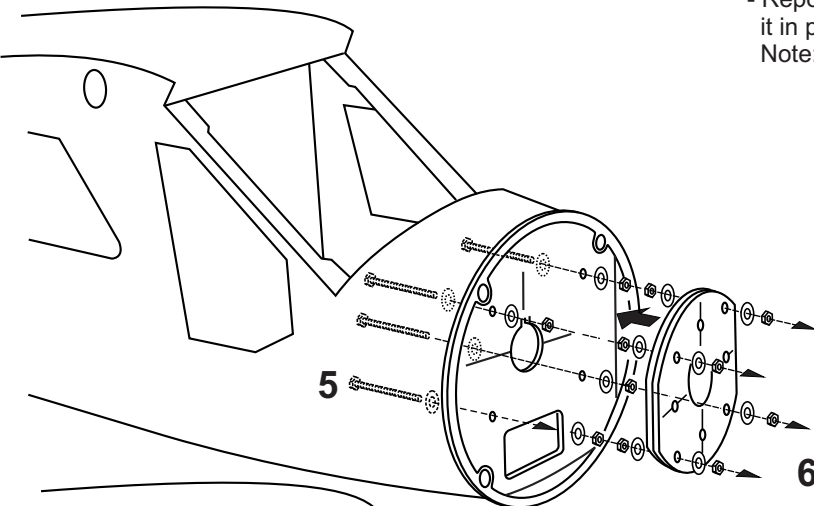
- Using a plywood motor mounting plate as a template, mark the fire wall where the four holes are to be drilled (1).

- Remove the plywood motor mounting plate and drill a 13/64" (5mm) hole through the fire-wall at each of the four marks marked (2).
- Using an aluminum motor mounting plate as a template, mark the plywood motor mounting plate where the four holes are to be drilled (3).
- Remove the aluminum motor mounting plate and drill a 1/8" (3mm) hole through the plywood at each of the four marks marked (4).



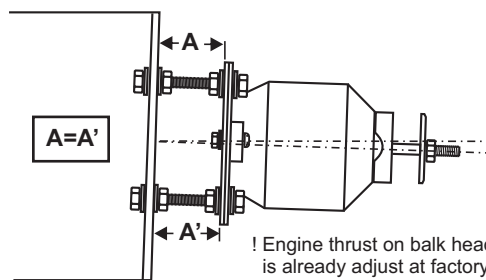
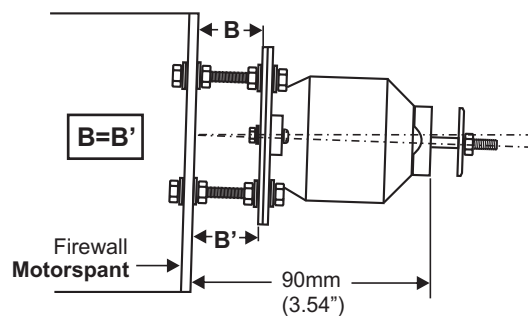
3- Electric Motor /

- Push the four 5x35mm bolts through the fire-wall as shown (5).
 - Reposition the plywood motor mounting plate (2pcs) and secure it in place with twelve 5mm nuts and washers (6).
- Note: B=B' (Side-view) and A=A' (Top-view)

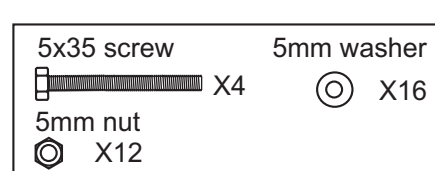


- Attach the aluminum motor mounting plate on to the motor and secure it in place with four screws (included with motor set) (7).

SIDE-VIEW / Seitenansicht



TOP-VIEW / Draufsicht



Sperrholztrager Platten zusammenkleben, wie gezeigt ausrichten und Locher bohren.

Motor nach untenstehendem Schema einbauen.

Fur optimale Leistung empfehlen wir folgende Komponenten:

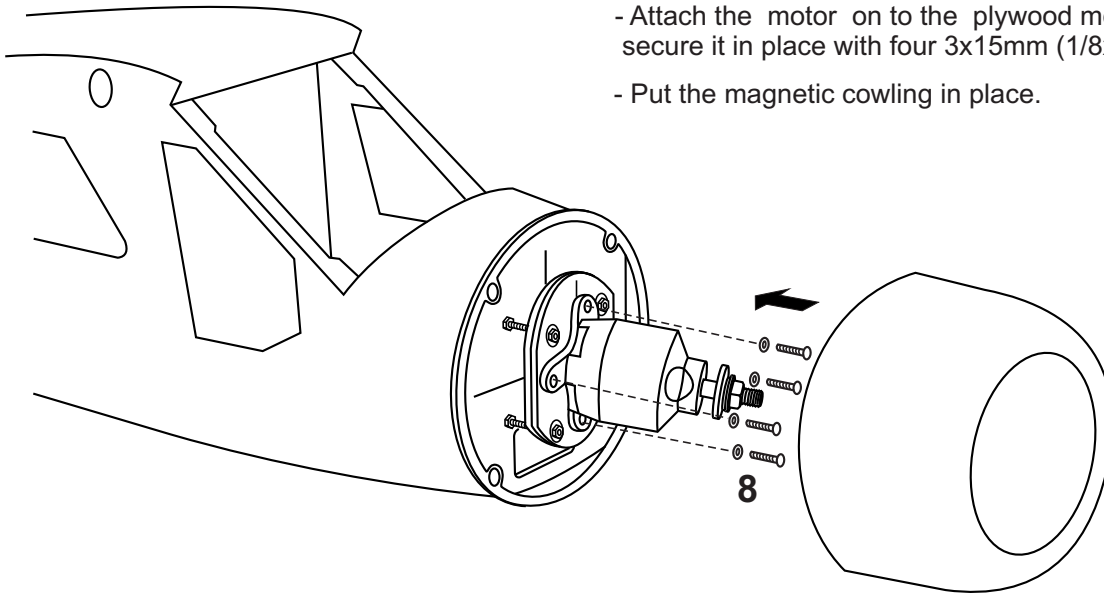
- Brushless-Motor PICHLER BOOST 60
- Brushless Regler PICHLER XQ-70
- LiPO Akku LEMONRC 3700-5S
- Luftschraube 12*6 - 13*8

For maximum performance, we recommended the following:

- Brushless-Motor PICHLER BOOST 60
- Brushless Regler PICHLER XQ-70
- LiPO Battery LEMONRC 3700-5S
- Propeller 12*6 - 13*8

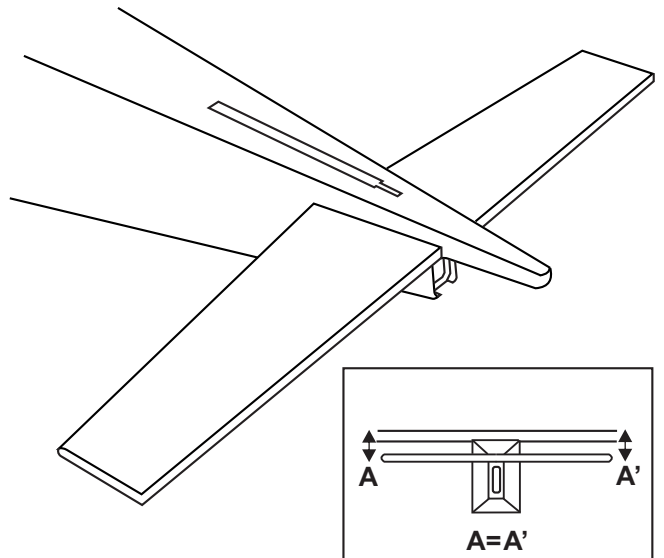
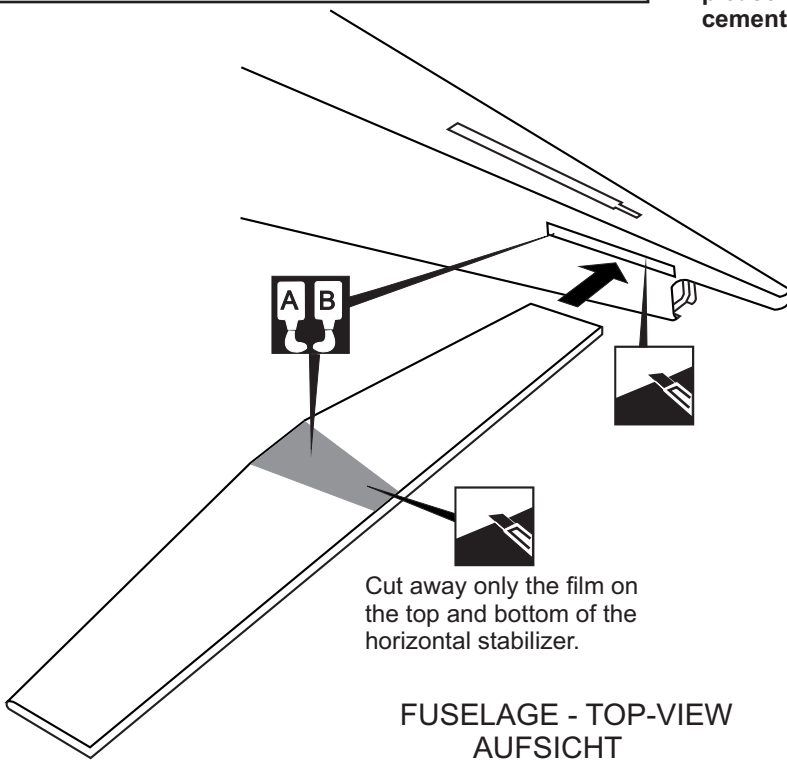
4- Cowling / Motorhaube

- Attach the motor on to the plywood motor mounting plate and secure it in place with four 3x15mm (1/8x19/32") screws(8).
- Put the magnetic cowling in place.



5- Horizontal stabilizer / Höhenruder

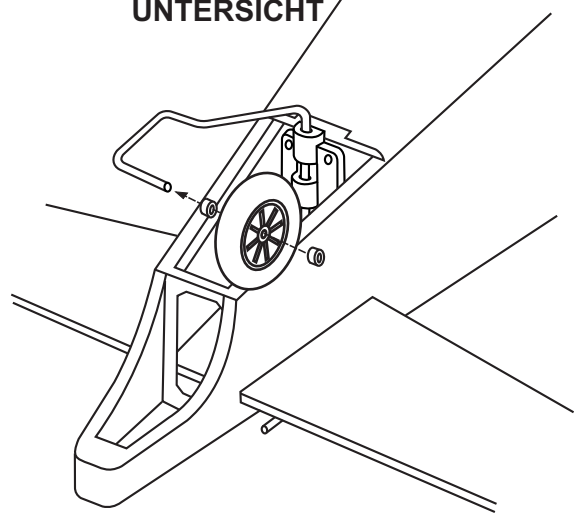
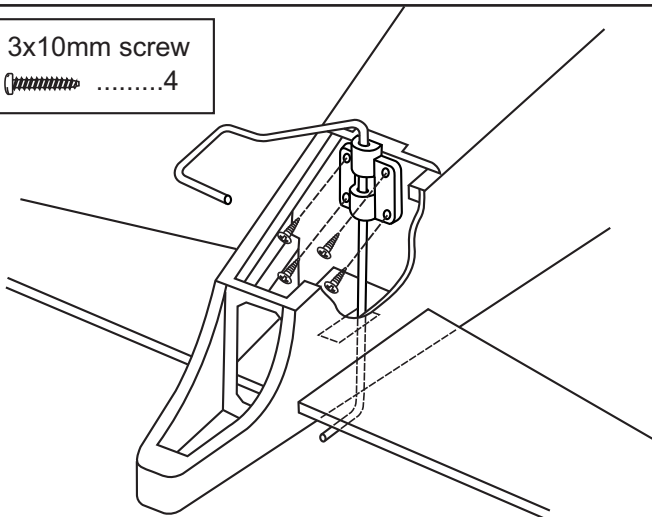
*** WARNING:** When removing any covering from the airframe, please ensure that you secure the cut edge with CA or similar cement. This will ensure the covering remain tight.



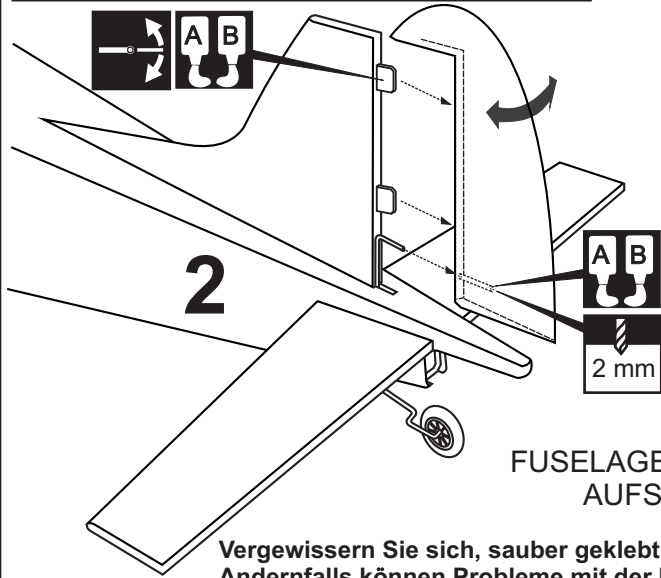
6- Tail gear / Heckspornrad

FUSELAGE - REAR - BOTTOM VIEW
UNTERSICHT

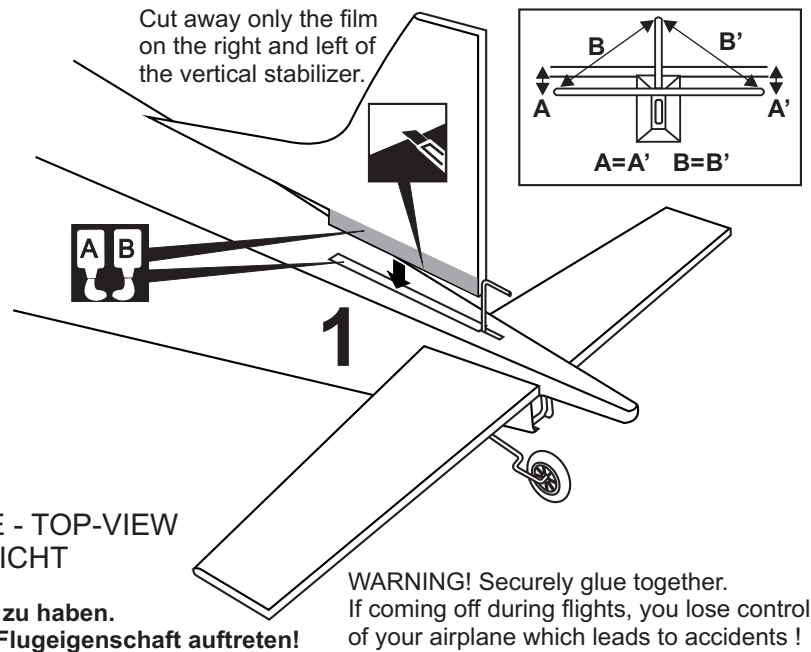
3x10mm screw
4



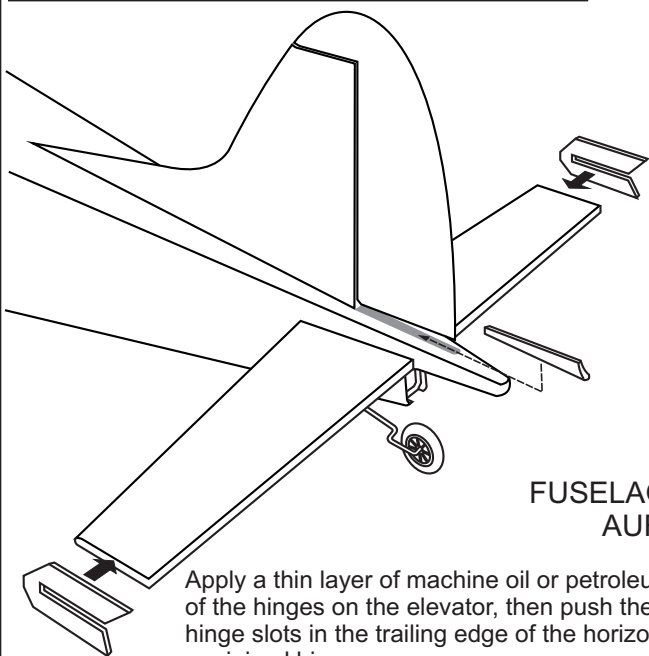
7- Vertical stabilizer / Seitenruder



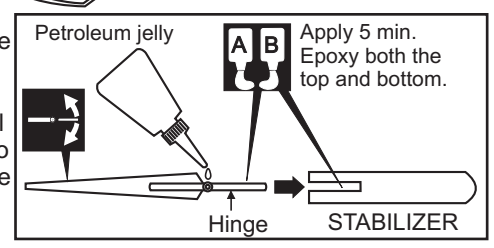
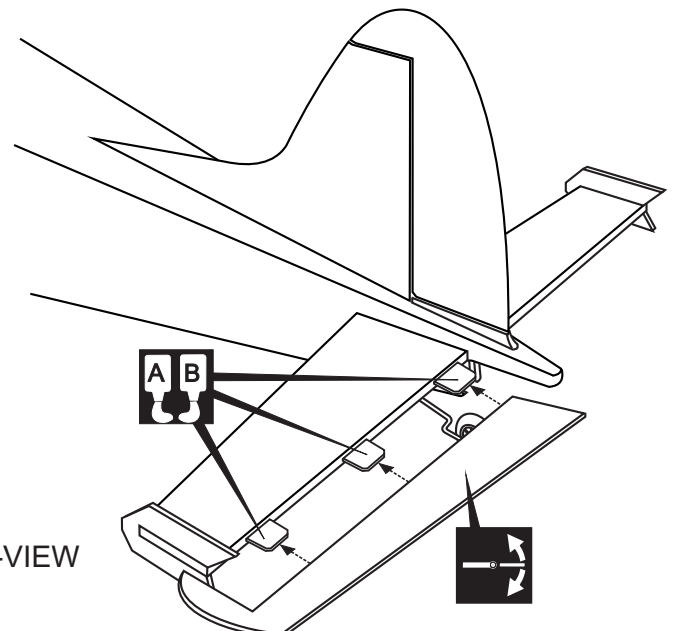
Cut away only the film on the right and left of the vertical stabilizer.



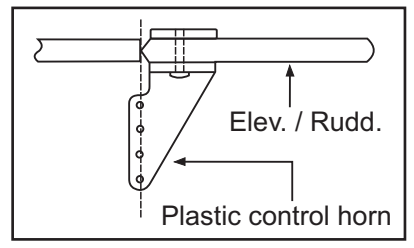
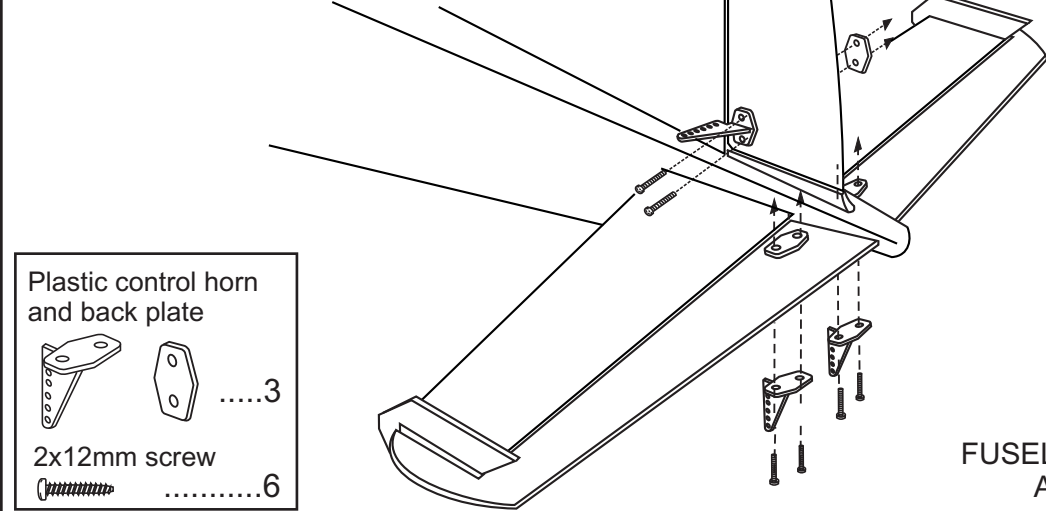
8- Elevator / Höhenruder



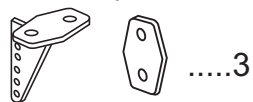
Apply a thin layer of machine oil or petroleum jelly to only the pivot point of the hinges on the elevator, then push the elevator and its hinges into the hinge slots in the trailing edge of the horizontal stabilizer. There should be a minimal hinge gap.
When satisfied with the alignment, hinge the elevator to the horizontal stabilizer using 5 minute epoxy. Make sure to apply a thin layer of epoxy to the top and bottom of both hinges and to inside the hinge slots. Repeat the previous procedures to hinge the second elevator to the other side of the horizontal stabilizer.



9- Control horn / Anlenkungen



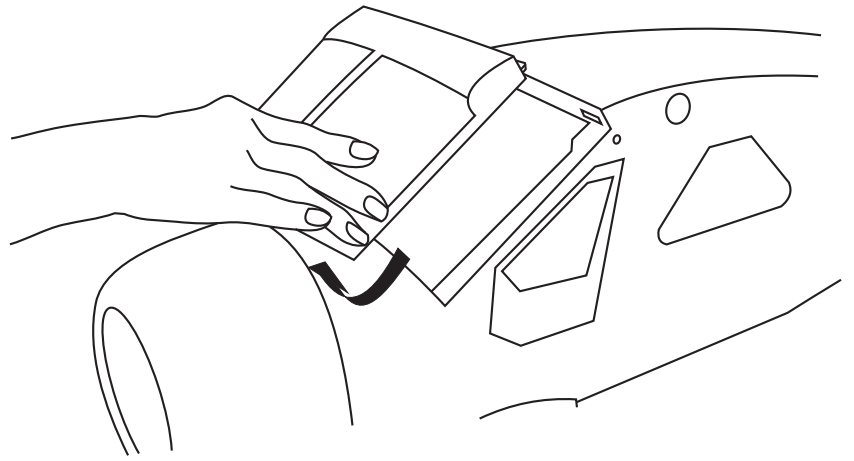
Plastic control horn and back plate



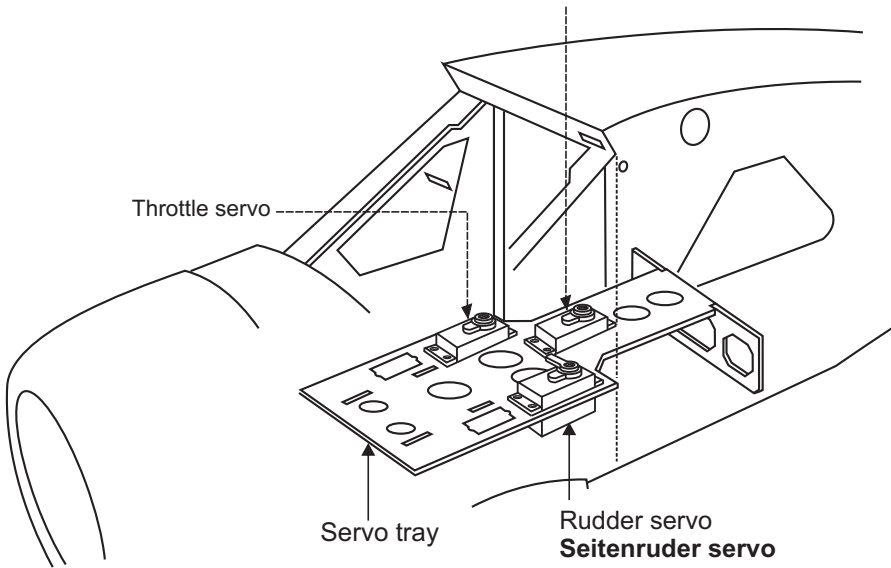
2x12mm screw



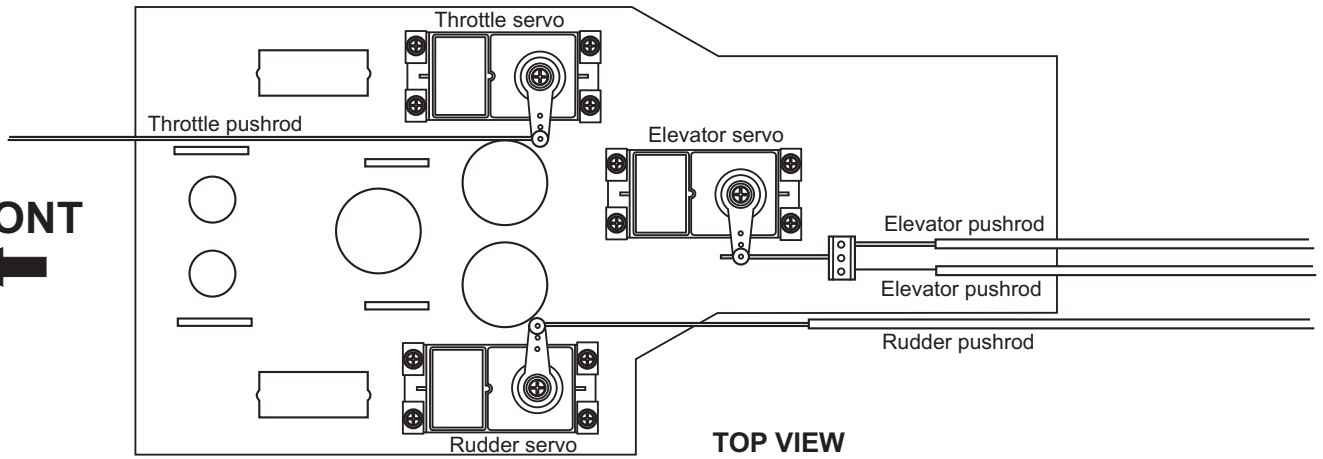
10- Servo installation



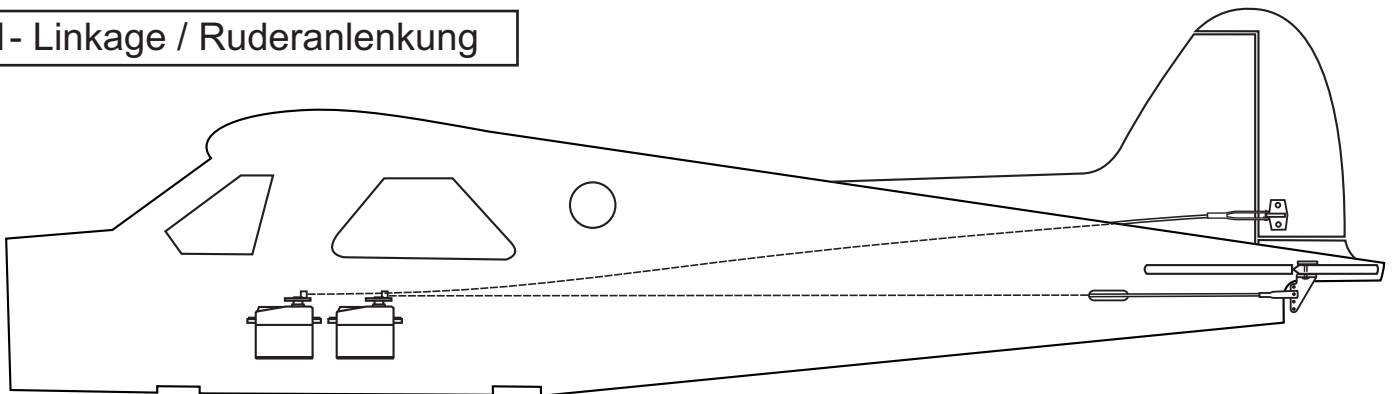
Elevator servo / Höhenruder servo



FRONT
←



11- Linkage / Ruderanlenkung




12- Landing gear / Fahrwerk

4X20mm screw

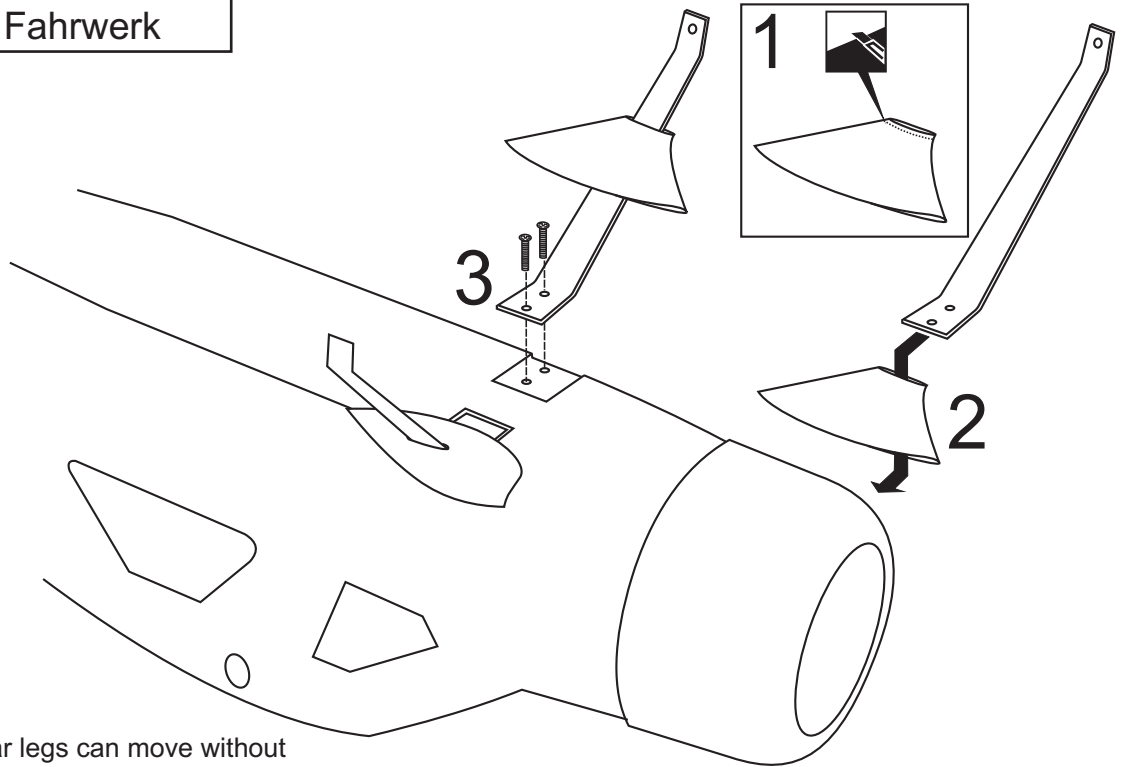
2

4mm nut

4

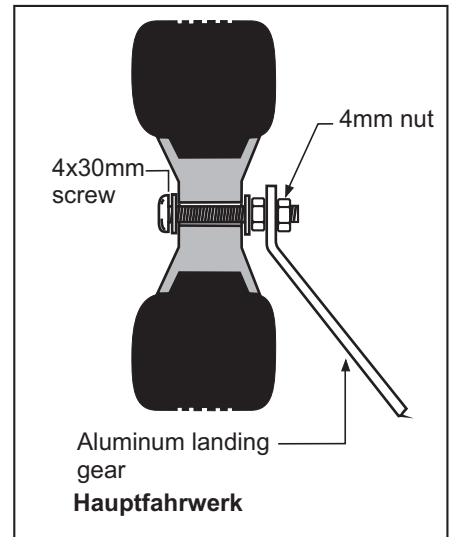
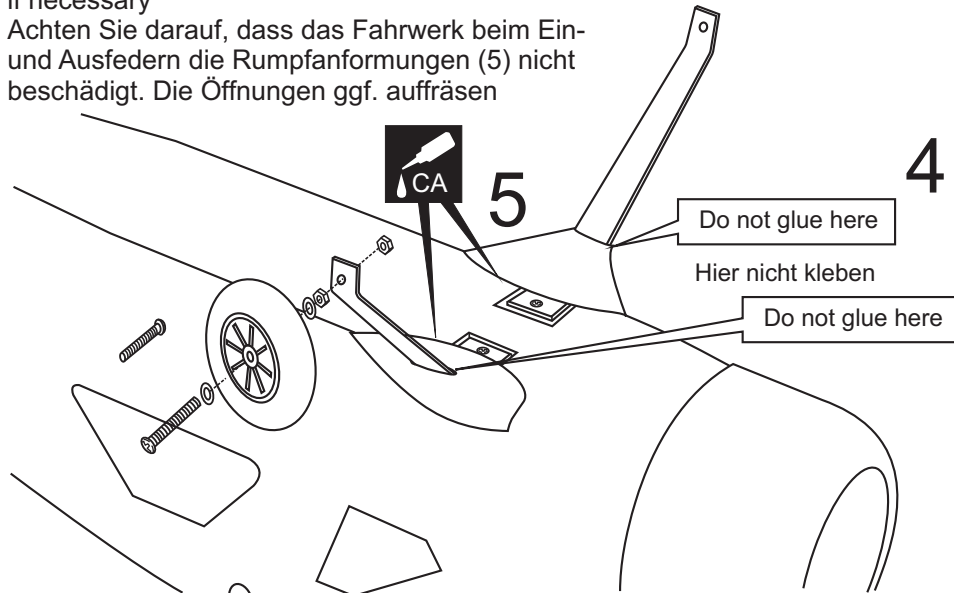
4mm washer

6

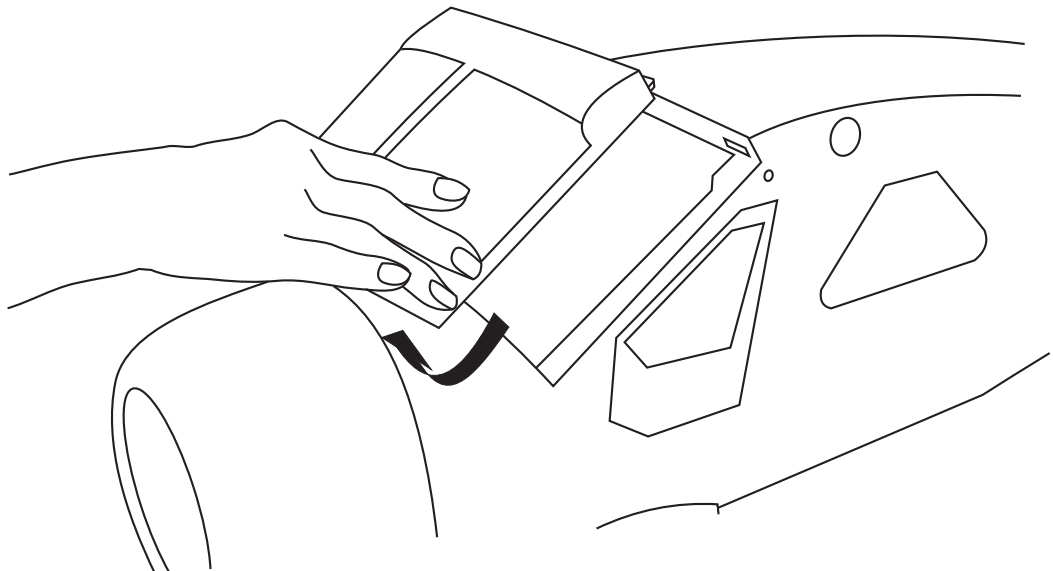


Make sure the landing gear legs can move without damaging the fuselage formers (5). Enlarge the openings if necessary

Achten Sie darauf, dass das Fahrwerk beim Ein- und Ausfedern die Rumpfanformungen (5) nicht beschädigt. Die Öffnungen ggf. aufрэssen



13- Battery - fuel tank / Akku - Kraftstofftank



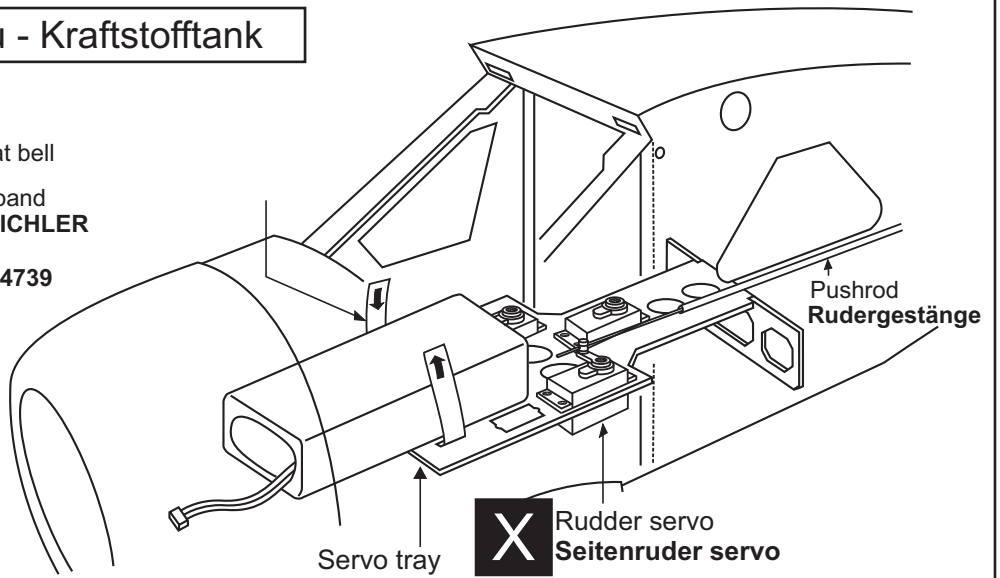
14- Battery - fuel tank / Akku - Kraftstofftank

Tipp

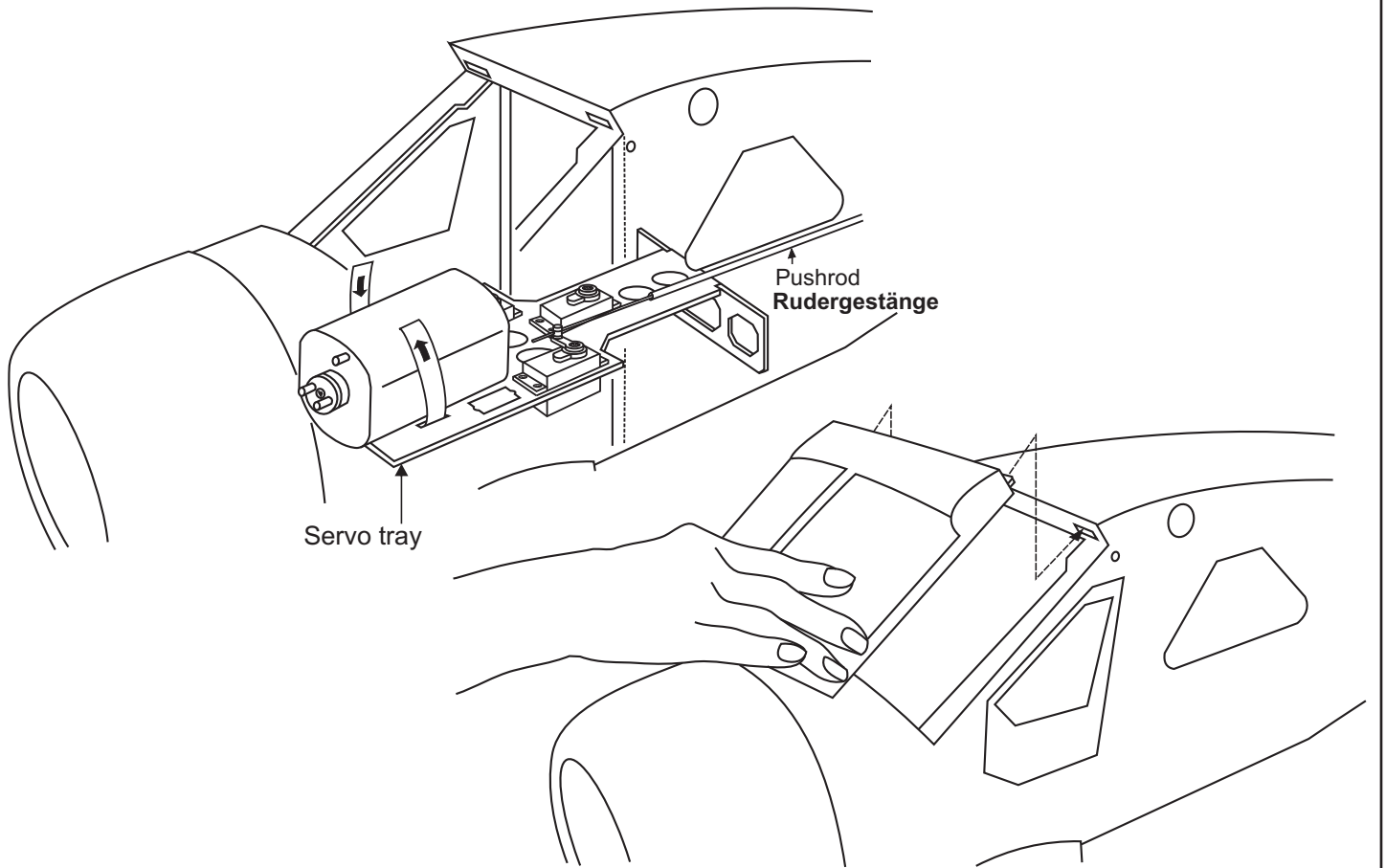


Battery seat bell

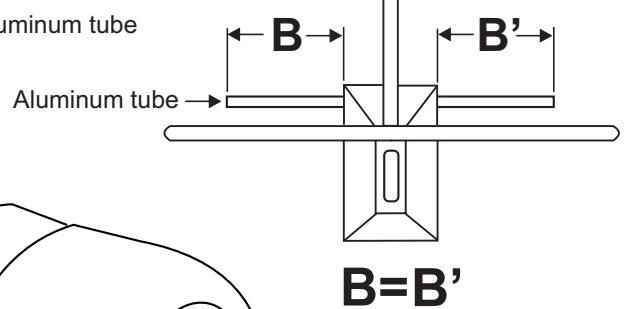
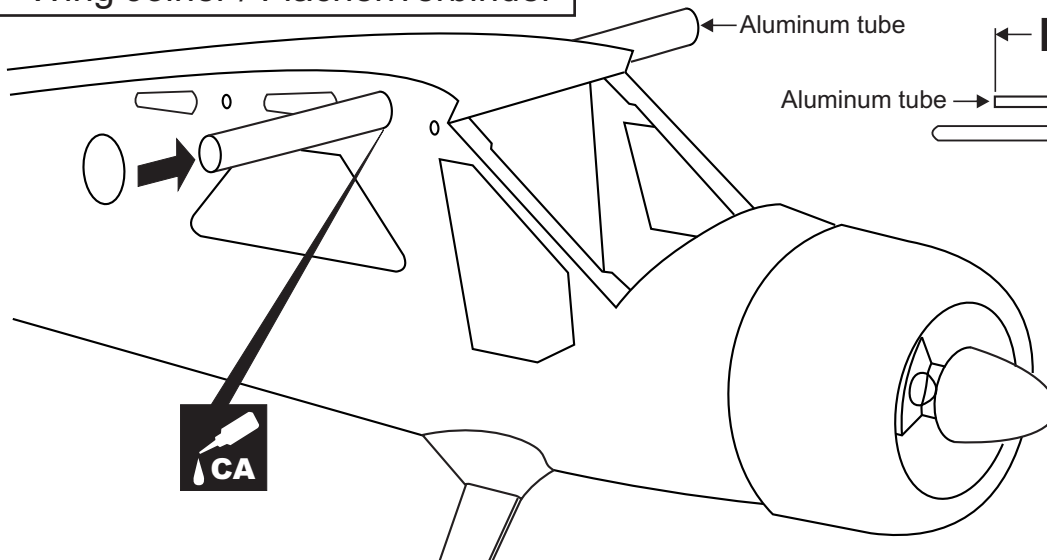
Akku Klettband
aus dem **PICHLER**
Sortiment
Best.Nr. C4739



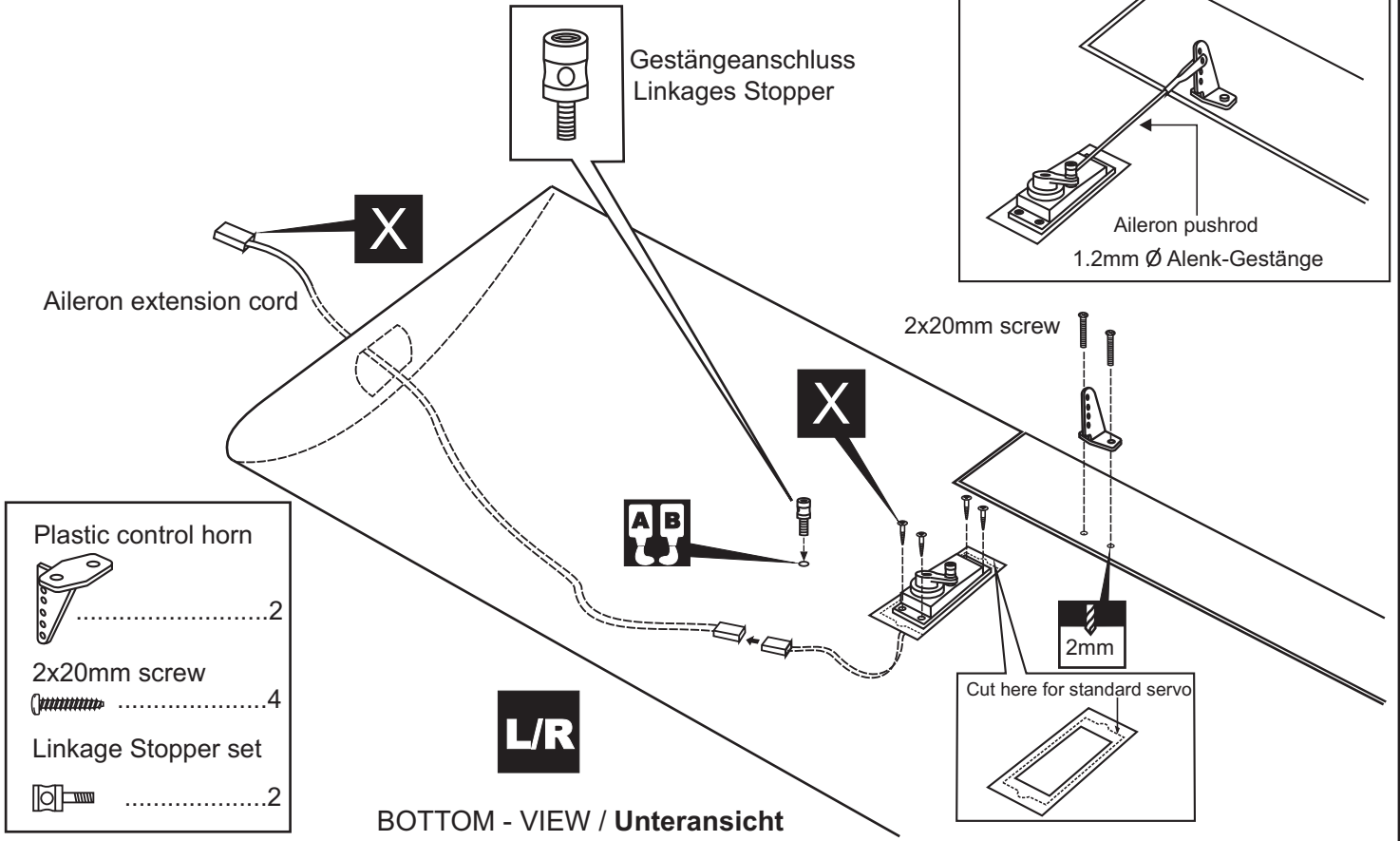
Rudder servo
Seitenrunder servo



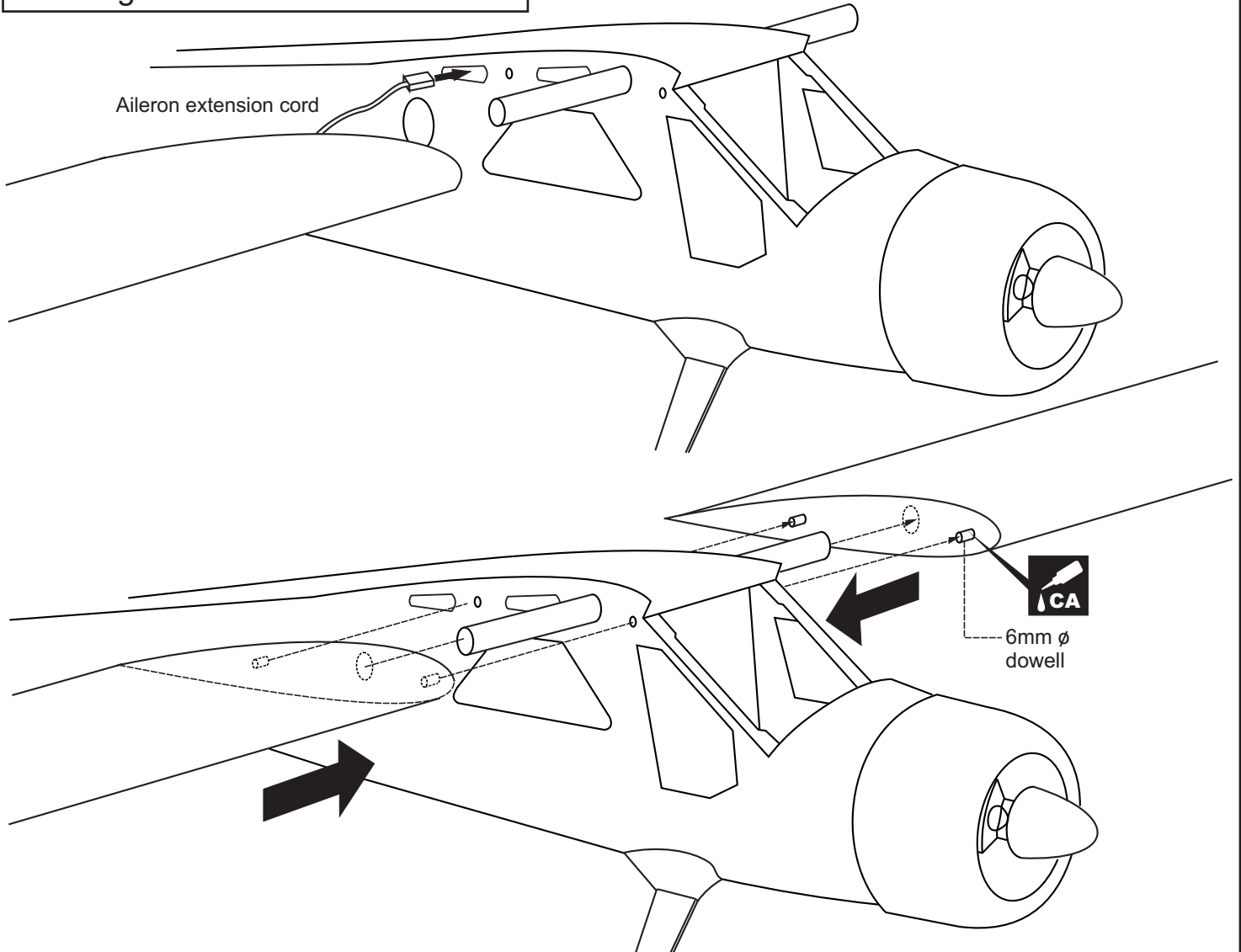
15- Wing Joiner / Flächenverbinder




16- Installing the linkages / Einbau RC-Anlage

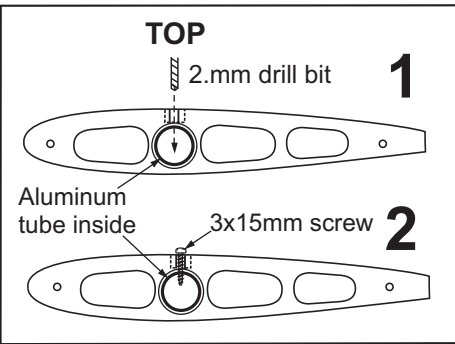


17- Wing Joiner / Flächenverbinder

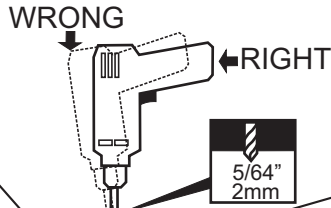


18- Wing Joiner / Flächenverbinder

3x15mm screw
2

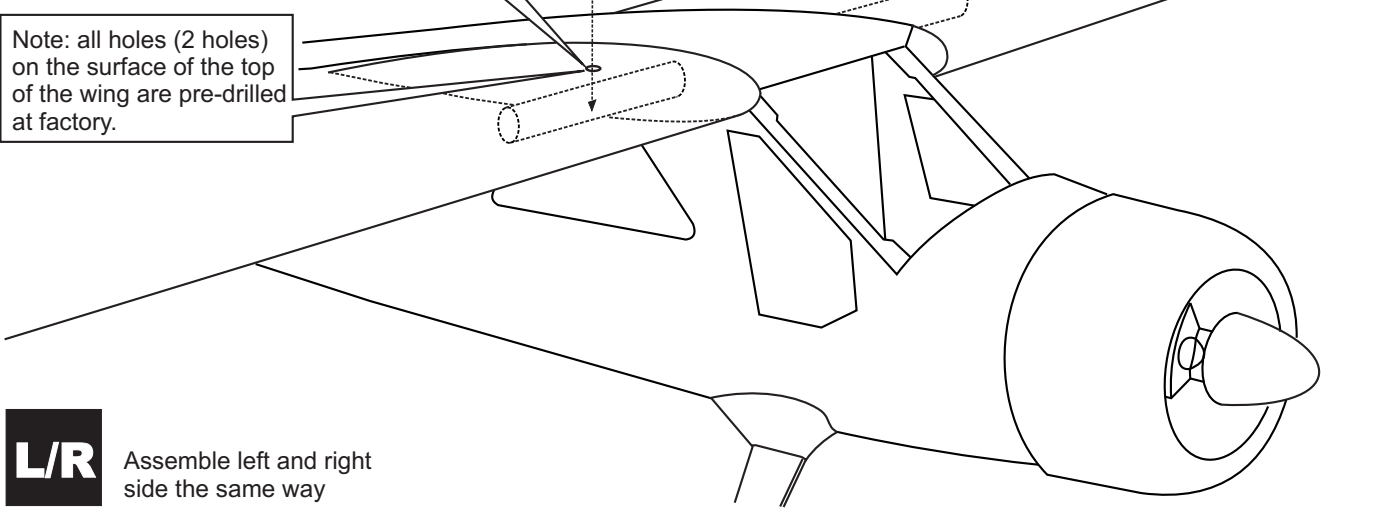


Secure the wing in place using 3x15mm screw.



Slide the wing halves onto the aluminum tube until they meet the side of the fuselage (if the fit is overly tight, it may be necessary to lightly sand the wing roots).

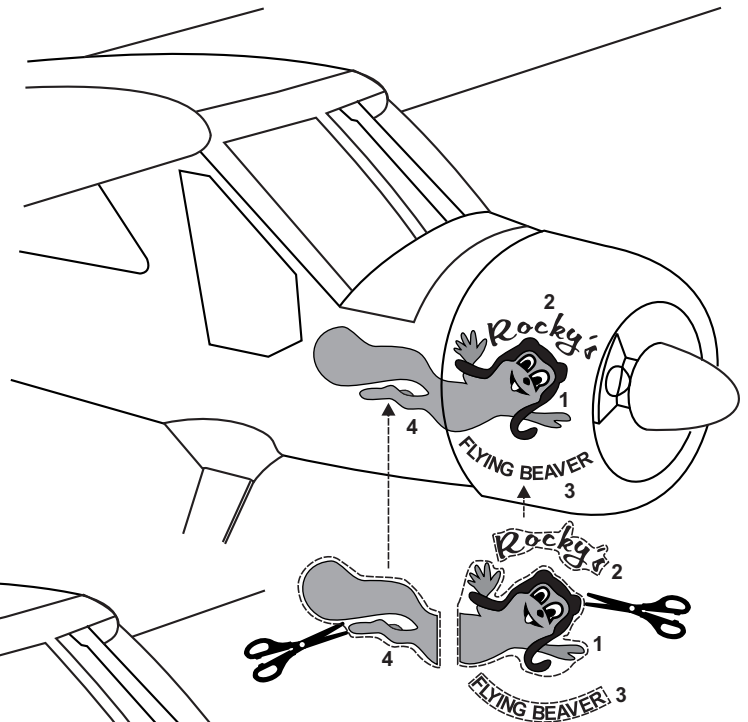
Note: all holes (2 holes) on the surface of the top of the wing are pre-drilled at factory.



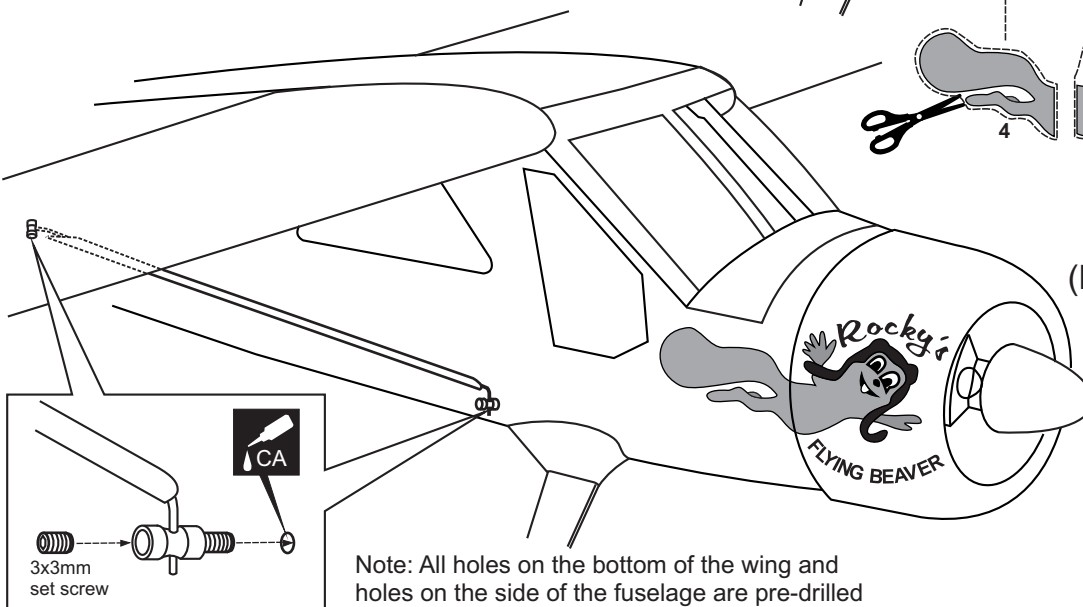
L/R Assemble left and right side the same way

19- Decor / Aufkleber

Note: Cut out the stickers and apply them in the proper area. Do not peel the backing paper off all at once. Peel off one corner of the backing and cut off with scissors. Arrange sticker on model and when satisfied adhere the corner without backing. Carefully peel back the rest of the backing while at the same time adhering the rest of the sticker. Try not to make air bubbles, if there are some, carefully puncture sticker (center of bubble) but not model surface with the tip of the knife or sharp pin and squeeze out the air. At curves stretch sticker and apply a little heat so that no creases occur. Cut off the excess that is produced.



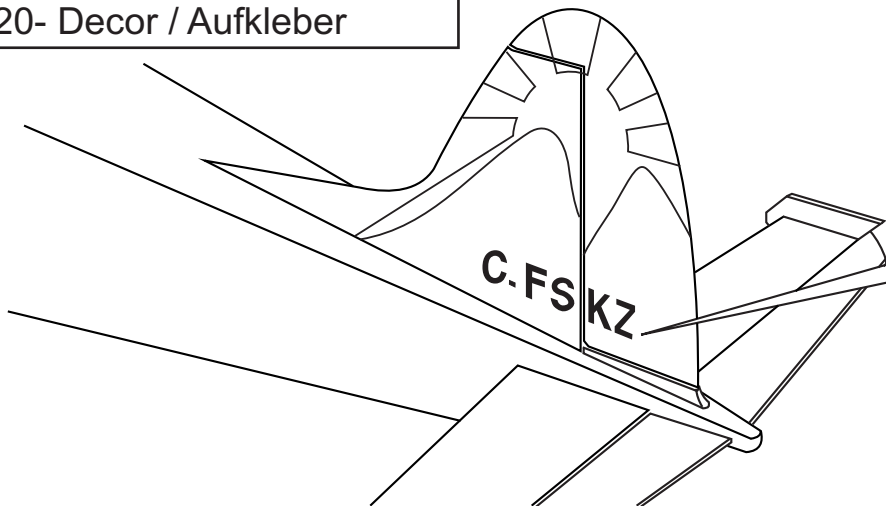
VQA064
 (Kenmore Air version)



Note: All holes on the bottom of the wing and holes on the side of the fuselage are pre-drilled at factory.

Linkage Stopper set
4

20- Decor / Aufkleber

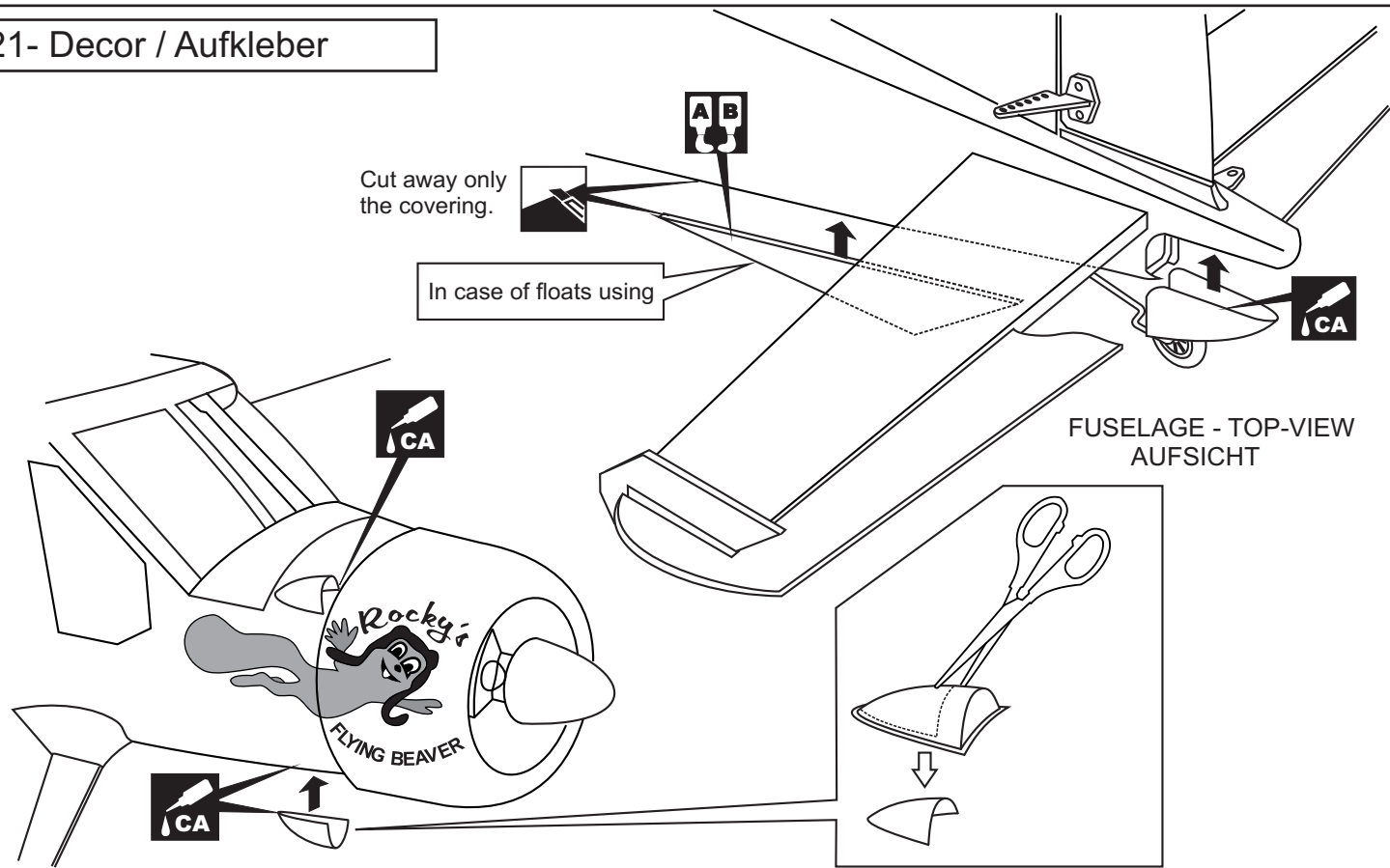


C-FSKZ

DECAL SHEET

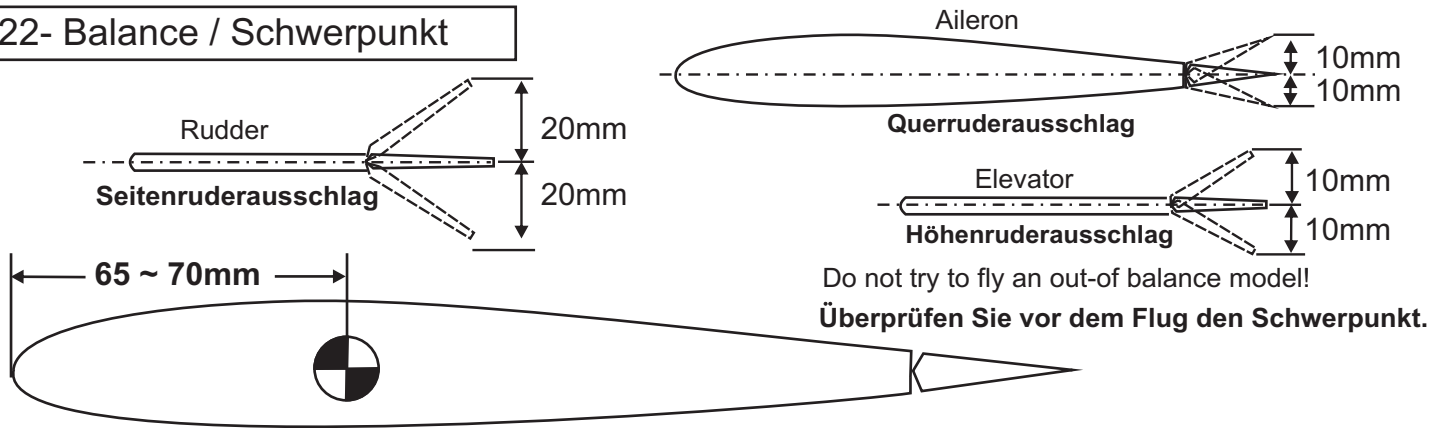
VQA088
(Wishler Air version)

21- Decor / Aufkleber



FUSELAGE - TOP-VIEW
AUFSICHT

22- Balance / Schwerpunkt



IMPORTANT: Please do not clean your model with pure alcohol, only use liquid soap with water or use glass cleaner to clean on surface of your model to keep the colour not fade.

WARNING !
Do not put in a large-than recommended engine. A bigger engine does not necessarily mean better performance.

All details are subject to change without notice !

Technische Änderungen und Irrtümer vorbehalten !