

BLADE[®]
#1 BY DESIGN

120



**Instruction Manual
Bedienungsanleitung
Manuel d'utilisation
Manuale di Istruzioni**



SAFE[®]

RTF
READY-TO-FLY



NOTICE

All instructions, warranties and other collateral documents are subject to change at the sole discretion of Horizon Hobby, LLC. For up-to-date product literature, visit horizonhobby.com and click on the support tab for this product.

Meaning of Special Language

The following terms are used throughout the product literature to indicate various levels of potential harm when operating this product:

NOTICE: Procedures, which if not properly followed, create a possibility of physical property damage AND a little or no possibility of injury.

CAUTION: Procedures, which if not properly followed, create the probability of physical property damage AND a possibility of serious injury.

WARNING: Procedures, which if not properly followed, create the probability of property damage, collateral damage, and serious injury OR create a high probability of superficial injury.



WARNING: Read the ENTIRE instruction manual to become familiar with the features of the product before operating. Failure to operate the product correctly can result in damage to the product, personal property and cause serious injury.

This is a sophisticated hobby product. It must be operated with caution and common sense and requires some basic mechanical ability. Failure to operate this Product in a safe and responsible manner could result in injury or damage to the product or other property. This product is not intended for use by children without direct adult supervision. Do not use with incompatible components or alter this product in any way outside of the instructions provided by Horizon Hobby, LLC. This manual contains instructions for safety, operation and maintenance. It is essential to read and follow all the instructions and warnings in the manual, prior to assembly, setup or use, in order to operate correctly and avoid damage or serious injury.

Age Recommendation: Not for children under 14 years. This is not a toy.

Safety Precautions and Warnings

- Always keep a safe distance in all directions around your model to avoid collisions or injury. This model is controlled by a radio signal subject to interference from many sources outside your control. Interference can cause momentary loss of control.
- Always operate your model in open spaces away from full-size vehicles, traffic and people.
- Always carefully follow the directions and warnings for this and any optional support equipment (chargers, rechargeable battery packs, etc.).
- Always keep all chemicals, small parts and anything electrical out of the reach of children.
- Always avoid water exposure to all equipment not specifically designed and protected for this purpose. Moisture causes damage to electronics.
- Never place any portion of the model in your mouth as it could cause serious injury or even death.
- Never operate your model with low transmitter batteries.
- Always keep aircraft in sight and under control.
- Always move the throttle fully down at rotor strike.
- Always use fully charged batteries.
- Always keep transmitter powered on while aircraft is powered.
- Always remove batteries before disassembly.
- Always keep moving parts clean.
- Always keep parts dry.
- Always let parts cool after use before touching.
- Always remove batteries after use.
- Never operate aircraft with damaged wiring.
- Never touch moving parts.



WARNING AGAINST COUNTERFEIT PRODUCTS: If you ever need to replace your Spektrum receiver found in a Horizon Hobby product, always purchase from Horizon Hobby, LLC or a Horizon Hobby authorized dealer to ensure authentic high-quality Spektrum product. Horizon Hobby, LLC disclaims all support and warranty with regards, but not limited to, compatibility and performance of counterfeit products or products claiming compatibility with DSM or Spektrum.

Table of Contents

Box Contents	3	Panic Recovery	11
First Flight Preparation	4	Flying the 120 S	11
Flying Checklist.....	4	Drift Calibration.....	12
Charging Warnings.....	4	Post-Flight Inspection and Maintenance Checklist.....	12
Battery Charging.....	4	Troubleshooting Guide.....	12
Installing the Transmitter Batteries (RTF)	5	Exploded View.....	14
Transmitter Setup (BNF).....	5	Parts List.....	14
Installing the Flight Battery	8	Limited Warranty.....	15
Transmitter and Receiver Binding.....	8	Warranty and Service Contact Information	16
RTF Transmitter Controls	9	FCC Information.....	16
Control Tests.....	10	IC Information	16
Understanding the Primary Flight Controls	10	Compliance Information for the European Union.....	16
SAFE® Technology.....	11		

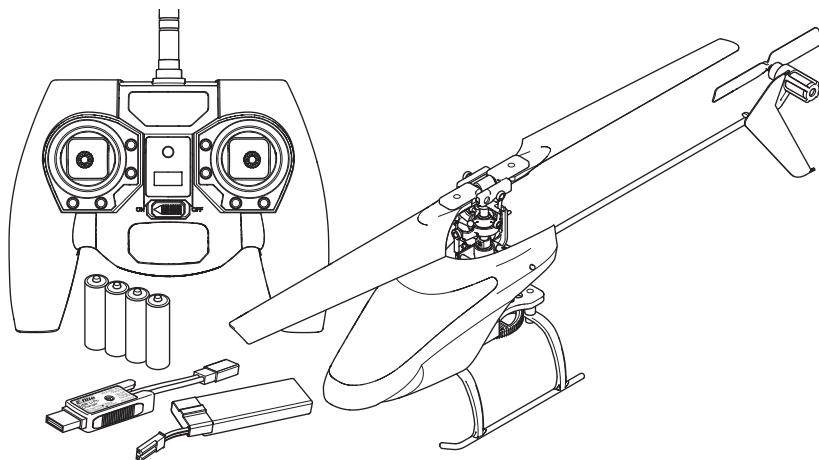
Specifications

Length	12.6 in (320mm)	Tail Rotor Diameter	2.75 in (70mm)
Height	4.25 in (108mm)	Flying Weight	3.74 oz (106 g)
Main Rotor Diameter	13 in (330mm)		

To register your product online, visit www.bladehelis.com

Box Contents

- Blade 120 S
- 500mAh 1S 3.7V 25C Li-Po Battery
- 1S Li-Po USB Charger
- LP6DSM SAFE Transmitter (RTF Only)
- 4 AA Batteries (RTF Only)



First Flight Preparation

- Remove and inspect contents
- Begin charging the flight battery
- Install the batteries in the transmitter (RTF only)
- Program your computer transmitter (BNF only)
- Install the flight battery in the helicopter (once it has been fully charged)
- Bind your transmitter (BNF only)
- Familiarize yourself with the controls
- Find a suitable area for flying

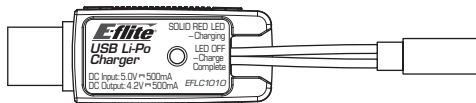
Charging Warnings



CAUTION: All instructions and warnings must be followed exactly. Mishandling of Li-Po batteries can result in a fire, personal injury and/or property damage.

- **NEVER LEAVE CHARGING BATTERIES UNATTENDED.**
- **NEVER CHARGE BATTERIES OVERNIGHT.**
- By handling, charging or using the included Li-Po battery, you assume all risks associated with lithium batteries.
- If at any time the battery begins to balloon or swell, discontinue use immediately. If charging or discharging, discontinue and disconnect. Continuing to use, charge or discharge a battery that is ballooning or swelling can result in fire.
- Always store the battery at room temperature in a dry area for best results.
- Always transport or temporarily store the battery in a temperature range of 40–120° F (5–49° C).
- Do not store battery or model in a car or direct sunlight. If stored in a hot car, the battery can be damaged or even catch fire.

Battery Charging



NOTICE: Charge only batteries that are cool to the touch and are not damaged. Look at the battery to make sure it is not damaged e.g., swollen, bent, broken or punctured.

1. Insert the charger into a USB port.
2. Properly connect the battery to the charger lead.
3. Always disconnect the flight battery from the charger immediately upon completion of charging.



CAUTION: Only use chargers specifically designed to charge the included Li-Po battery. Failure to do so could result in fire, causing injury or property damage.



CAUTION: Never exceed the recommended charge rate.

Flying Checklist

- Always turn the transmitter on first**
- Plug the flight battery into the lead from the ESC
- Allow the receiver and ESC to initialize and arm properly
- Fly the model
- Land the model
- Unplug the flight battery from the ESC
- Always turn the transmitter off last**

- Always charge batteries away from flammable materials.
- Always inspect the battery before charging
- Always disconnect the battery after charging, and let the charger cool between charges.
- Always constantly monitor the temperature of the battery pack while charging.
- **ONLY USE A CHARGER SPECIFICALLY DESIGNED TO CHARGE LI-PO BATTERIES.** Failure to charge the battery with a compatible charger may cause a fire resulting in personal injury and/or property damage.
- Never discharge Li-Po cells to below 3V under load.
- Never cover warning labels with hook and loop strips.
- Never charge batteries outside recommended levels.
- Never charge damaged batteries.
- Never attempt to dismantle or alter the charger.
- Never allow minors to charge battery packs.
- Never charge batteries in extremely hot or cold places (recommended between 40–120° F or (5–49° C) or place in direct sunlight.

LED Indications

When you make the connection successfully, the LED on the charger turns solid red, indicating charging has begun. Charging a fully discharged (not over-discharged) 500mAh battery takes approximately 60 minutes. The light goes off when the charge is complete.

CHARGING (Solid Red)

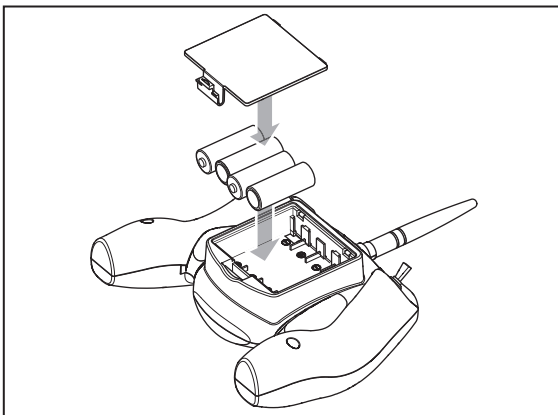
MAX CHARGE (OFF)



CAUTION: Once charging is complete, immediately remove the battery. Never leave a battery connected to the charger.

Installing the Transmitter Batteries (RTF)

Replace the transmitter batteries when the transmitter beeps.



Transmitter Setup (BNF)

Program your transmitter before attempting to bind or fly the helicopter. Transmitter programming values are shown below for the Spektrum DX6i, DX7s, DX6, DX7, DX8, DX9 and DX18.

The files for models using Spektrum™ transmitters with AirWare™ software are also available for download online at www.spektrumrc.com.

Your helicopter is also compatible with Spektrum DXe radios with software version 1.3 or higher. Use the directions below to reverse channel 6, or use the appropriate programming cable and the PC or mobile app to program the DXe. We recommend downloading the Blade 120 S DXe model setup available at www.spektrumrc.com.

DXe

To use the DXe transmitter with the Blade 120 S, channel 6 must be reversed.

To reverse channel 6:

1. While powering on the DXe, hold the left and right sticks in the top-inside corners as shown.
2. Re-center the sticks after the transmitter beeps. The LED will flash slowly.
3. To select a channel to reverse, move the right stick to the left or right and allow it to re-center. Move the stick to the right to select the next channel. Move the stick to the left to select the previous channel. The LED will flash rapidly corresponding to the channel selected, as shown in the table. Select channel 6.
4. To reverse the selected channel, move the right stick up or down. The LED will change color to indicate the new channel direction.

The LED will flash **Orange** to indicate the channel is **normal**.

The LED will flash **Red** to indicate the channel is **reversed**.

5. To store the changes, power off the DXe.



CAUTION: During the subsequent power up, always verify the throttle direction is correct and keep clear of the motor and rotor blades. Failure to do so may result in injury or damage to the product.

After reversing channel 6, bind the transmitter and helicopter normally.

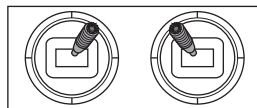
Flight modes are controlled by the Flight Mode switch.

Panic Mode is controlled by the Bind/Panic/Trainer button.

If you are programming your DXe using the PC or mobile app, make sure the "Transmitter Channels" value is set to the default of 7. If for any reason this value is changed to 9, the 120 S will bind to the DXe, but will not respond to control inputs.

If your DXe was included in another Blade Ready To Fly (RTF) helicopter, the transmitter software will have to be updated using the appropriate programming cable and either the PC or mobile app available at www.spektrumrc.com.

Please note, the switch configuration used for DXe transmitters included with the Blade 230 S RTF and Micro AH-64 Apache RTF varies from the standard DXe layout.



LED Flashes	Channel
1	1-Throttle
2	2-Aileron
3	3-Elevator
4	4-Rudder
5	5-Flight Mode
6	6-Panic
7	7-Flaps
8	8-Aux Channel

Once bound, the LED in the helicopter should glow blue for flight modes 0 and 1 (Stability, Low-Angle and High-Angle Modes), and glow red for flight mode 2 (Agility mode).

If the LED glows blue in all three flight modes, channel 6 has not been reversed correctly. Use the directions above to reverse channel 6.

DX6i

SETUP LIST	
Model Type	Acro
REVERSE	
Channel	Direction
THRO	N
AILE	N
ELEV	N
RUDD	N
GEAR	R
FLAP	N
Modulation Type	
AUTO DSMX-ENABLE	
D/R COMBI	
D/R SW	AILE
Timer	
Down Timer	5:00
Switch	THR CUT

ADJUST LIST			
TRAVEL ADJ		D/R & Expo	
Channel	Travel	Chan	Sw Pos
THRO	100/100	AILE	0
AILE	100/100		1
ELEV	100/100	ELEV	0
RUDD	100/100		1
GEAR	100/100	RUDD	0
PITC	100/100		1
FLAPS		Mixing	
	FLAP	ELEV	
NORM	↑100	0	
LAND	↓100	0	
		MIX 1	ACT
		GEAR > GEAR	ACT
		RATE	D 0% U -100%
		SW	GEAR TRIM - INH
		MIX 2	ACT
		GEAR > GEAR	ACT
		RATE	D 0% U +100%
		SW	ELE D/R TRIM - INH

Panic Mode Operation

Gyro Switch: Pos 0 = Panic Mode Off
Pos 1 = Panic Mode On

Flight Mode Operation

Gear Sw: Pos 0, *Elev D/R Sw:* 0 or 1 = Stability, Low-Angle Mode
Gear Sw: Pos 1, *Elev D/R Sw:* 0 = Stability, High-Angle Mode
Gear Sw: Pos 1, *Elev D/R Sw:* 1 = Agility Mode

DX7s

SYSTEM SETUP	
Model Type	ACRO
SW Select	
Trainer	Aux 1
Flap	Gear
All Others	INH

FUNCTION LIST						
Servo Setup						
Chan	Travel	Reverse	Chan	Travel	Reverse	
THR	100/100	Normal	GER	100/100	Normal	
AIL	100/100	Normal	AX1	100/100	Reverse	
ELE	100/100	Normal	AX2	100/100	Normal	
RUD	100/100	Normal				
D/R & Expo						
Chan	Switch Pos (FLAP)	D/R	Expo*	Chan	Switch Pos (FLAP)	D/R Expo*
AILE	0	100/100	0	RUDD	0	100/100 0
	1	100/100	0		1	100/100 0
	2	75/75	0		2	75/75 0
ELEV	0	100/100	0			
	1	100/100	0			
	2	75/75	0			
Throttle Cut						
Switch		Mix 1				
Timer						
Mode	Count Down					
Time	5:00 Tone					
Start	Throttle Out					
Pos	25%					

Panic Mode Operation

Trainer/Bind Button
Pressed = Panic Mode On
Released = Panic Mode Off

Flight Mode Operation

FLAP Sw: Pos 0 = Stability, Low-Angle Mode
Pos 1 = Stability, High-Angle Mode
Pos 2 = Agility Mode

* Use of "Expo" is not necessary for successful flight of the 120 S. The pilot may adjust this setting to tailor the sensitivity of the helicopter around neutral if desired.

DX8

SYSTEM SETUP	
Model Type	ACRO
SW Select	
Trainer	Aux 1
F Mode	Gear
All Others	INH

FUNCTION LIST							
Servo Setup							
Chan	Travel	Reverse	Chan	Travel	Reverse		
THR	100/100	Normal	GER	100/100	Normal		
AIL	100/100	Normal	AX1	100/100	Reverse		
ELE	100/100	Normal	AX2	100/100	Normal		
RUD	100/100	Normal					
D/R & Expo				D/R & Expo			
Chan	Switch Pos (AIL D/R)	D/R	Expo*	Chan	Switch Pos (AIL D/R)	D/R	Expo*
AILE	0	100/100	0	RUDD	0	100/100	0
	1	100/100	0		1	100/100	0
	2	75/75	0		2	75/75	0
ELEV	0	100/100	0				
	1	100/100	0				
2	75/75	0					
Throttle Cut							
Switch		Mix 1					
Timer							
Mode	Count Down						
Time	5:00 Tone						
Start	Throttle Out						
Pos	25%						

Panic Mode Operation

Trainer/Bind Button

Pressed = Panic Mode On

Released = Panic Mode Off

Flight Mode Operation

F MODE Sw: Pos 0 = Stability, Low-Angle Mode

Pos 1 = Stability, High-Angle Mode

Pos 2 = Agility Mode

DX6, DX7 (Gen 2), DX9, DX18

SYSTEM SETUP	
Model Type	Airplane
F-Mode Setup	
Switch 1	Switch B
Switch 2	Inhibit
Channel Assign	
Channel Input	
1 Throttle	N/A
2 Aileron	N/A
3 Elevator	N/A
4 Rudder	N/A
5 Gear	B
6 AUX 1	I

FUNCTION LIST							
Servo Setup							
Chan	Travel	Reverse	Chan	Travel	Reverse		
THR	100/100	Normal	AX1	100/100	Reverse		
AIL	100/100	Normal	AX2	100/100	Normal		
ELE	100/100	Normal	AX3	100/100	Normal		
RUD	100/100	Normal	AX4	100/100	Normal		
GER	100/100	Normal					
D/R & Expo				Throttle Cut			
Chan	Switch (F) Pos		D/R	Expo*	Position	-130	
	DX6	DX7, 9, 18			Switch	Switch H	
AILE	0	0	100/100	0		0	1
	1	1	100/100	0			
ELEV	0	0	100/100	0			
	1	2	75/75	0			
RUDD	0	0	100/100	0			
	1	1	100/100	0			
2	2	75/75	0				
Timer				Timer			
Mode		Count Down					
Time		5:00					
Start		Throttle Out					
Over		25%					
One Time		Inhibit					

Panic Mode Operation

Bind / I Button

Pressed = Panic Mode On

Released = Panic Mode Off

Flight Mode Operation

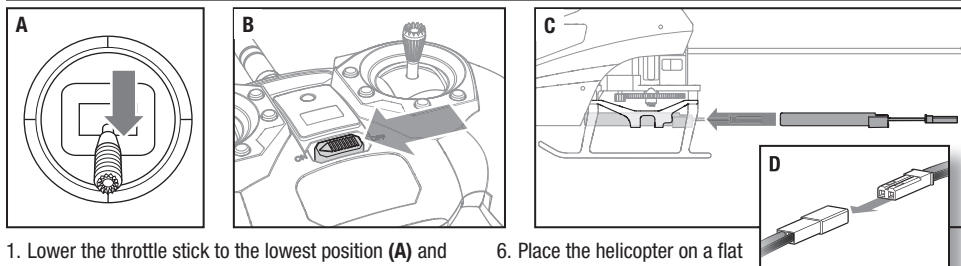
Sw B: Pos 0 = Stability, Low-Angle Mode

Pos 1 = Stability, High-Angle Mode

Pos 2 = Agility Mode

* Use of "Expo" is not necessary for successful flight of the 120 S. The pilot may adjust this setting to tailor the sensitivity of the helicopter around neutral if desired.

Installing the Flight Battery



1. Lower the throttle stick to the lowest position **(A)** and center all trims.
2. Set the Flight Mode Switch to Stability Mode (FM0)
3. Power ON the transmitter **(B)**.
4. Slide the flight battery fully into the mount of the helicopter frame **(C)**.
5. Connect the power lead to the battery **(D)**, noting the correct polarity.



CAUTION: Connecting the battery to the control board with reversed polarity will cause damage to the control board, the battery or both. Damage caused by incorrectly connecting the battery is not covered under warranty.

6. Place the helicopter on a flat surface and leave it still until the red LED changes to blue and glows solid, indicating initialization is complete.
If the LED on the control board flashes rapidly, proceed to the Transmitter and Receiver Binding section to bind the helicopter and transmitter.

NOTICE: Do not allow the helicopter to move until the LED on the control board is solid blue.

If you experience issues during initialization, refer to the Troubleshooting Guide at the back of the manual.



CAUTION: Always disconnect the Li-Po battery from the aircraft when not flying to avoid over-discharging the battery. Batteries discharged to a voltage lower than the lowest approved voltage may become damaged, resulting in loss of performance and potential fire when batteries are charged.

Transmitter and Receiver Binding

Your RTF transmitter comes prebound to the model. If you need to re-bind, follow the directions below.

MLP6DSM Binding Procedure (RTF)

1. Disconnect the flight battery from the helicopter.
2. Center all trims on your transmitter.
3. Power off the transmitter and move the throttle stick to the down/off position.
4. Connect the flight battery in the helicopter. The Blue LED on the control board flashes after 5 seconds.
5. When the Blue LED light is flashing, push in and hold down the left stick* while powering on the transmitter (you will hear a 'click').
6. Release the left stick. The transmitter will beep and the power LED will blink.
7. The helicopter is bound when the LED on the control board is solid blue (not blinking).
8. Disconnect the flight battery and power the transmitter off.

* The trigger switch may also be used for the binding procedure.

If you encounter problems, obey binding instructions and refer to the troubleshooting guide for other instructions. If needed, contact the appropriate Horizon Product Support office. For a list of compatible DSM® transmitters, please visit www.bindnfly.com.

To bind or re-bind your helicopter to your chosen transmitter, follow the directions below.

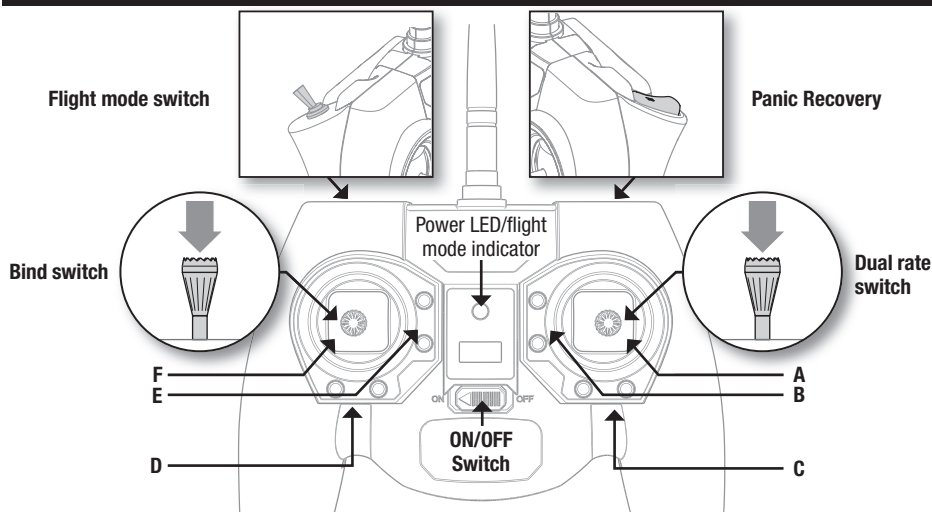
General Binding Procedure (BNF)

1. Disconnect the flight battery from the helicopter.
2. Refer the Transmitter Setup Table to correctly setup your transmitter.
3. Lower the throttle stick to the lowest position and center all trims on your transmitter.
4. Power off the transmitter and move all switches to the 0 position. Move the throttle to the low/off position.
5. Connect the flight battery to the control board. The control board LED flashes, indicating it is in bind mode.
6. Put the transmitter into bind mode while powering on the transmitter.
7. Release the bind button/switch after 2–3 seconds. The helicopter is bound when the LED on the receiver turns solid.
8. Disconnect the flight battery and power the transmitter off.



CAUTION: When using a Futaba® transmitter with a Spektrum™ DSM2® module, you must reverse the throttle channel and re-bind. Refer to your Spektrum module manual for binding and failsafe instructions. Refer to your Futaba transmitter manual for instructions on reversing the throttle channel.

RTF Transmitter Controls



When pressed down, trim buttons make a sound that increases or decreases in pitch at each pressing. The middle or neutral trim position is heard as a middle tone in the pitch range of the sounds. The end of the control range is sounded by a series of beeps.

Dual Rate Selection

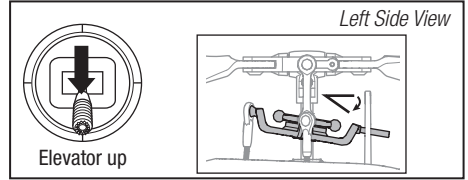
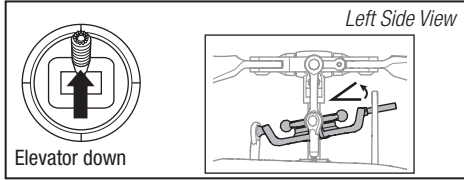
The control sensitivity can be changed by pressing and releasing the right control stick. The LED on the transmitter will show solid for high sensitivity (default) and flashing for low sensitivity.

	A	B	C	D	E	F
Mode 1	Aileron (Left/Right) Throttle (Up/Down)	Throttle Trim	Aileron Trim	Rudder Trim	Elevator Trim	Rudder (Left/Right) Elevator (Up/Down)
Mode 2	Aileron (Left/Right) Elevator (Up/Down)	Elevator Trim	Aileron Trim	Rudder Trim	Throttle Trim	Rudder (Left/Right) Throttle (Up/Down)

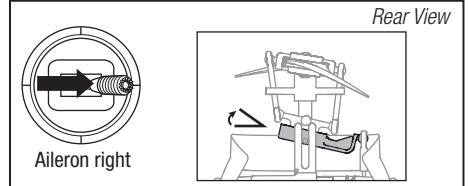
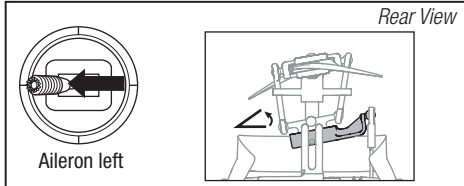
Control Tests

Test the controls prior to the first flight to ensure the servos, linkages and parts operate correctly. Ensure the throttle is in the low position when doing the control tests.

Elevator



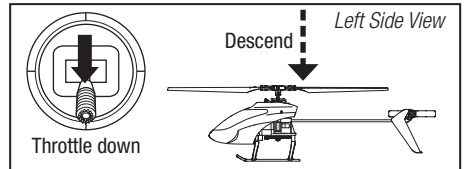
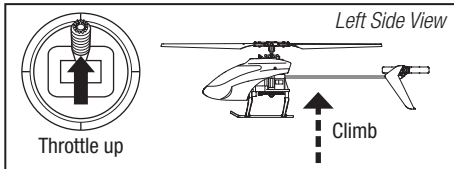
Aileron



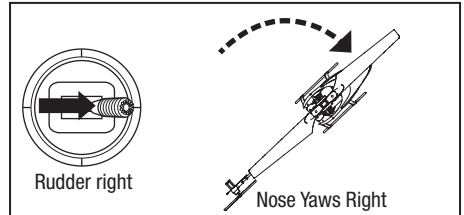
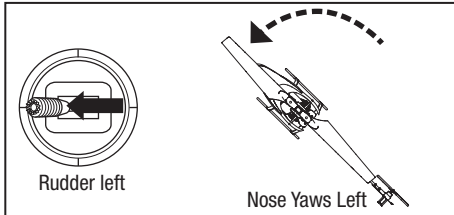
Understanding the Primary Flight Controls

If you are not familiar with the controls of your 120 S, take a few minutes to familiarize yourself with them before attempting your first flight.

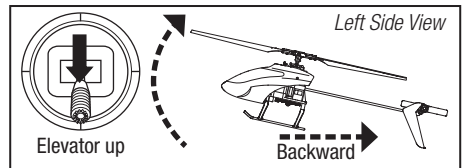
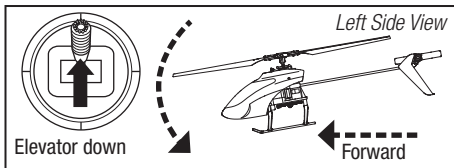
Throttle



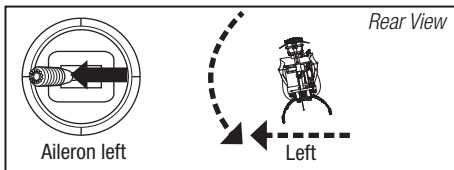
Rudder



Elevator



Aileron



Revolutionary SAFE® (Sensor Assisted Flight Envelope) technology uses an innovative combination of multi-axis sensors and software that allows model aircraft to know its position relative to the horizon. This spatial awareness is utilized to create a controlled flight envelope the aircraft can use to maintain a safe region of bank and pitch angles so you can fly more safely. Far beyond stability, this level of protection offers multiple modes so the pilot can choose to develop his or her skills with a greater degree of security and flight control that always feels crisp and responsive.

Panic Recovery

- Immediate recovery to a safe flying attitude.
- Move the throttle to 50% and return all other transmitter controls to neutral for the quickest recovery.
- This mode is intended to provide the pilot with the confidence to continue to improve their flight skills.

Flying the 120 S

Consult your local laws and ordinances before choosing a location to fly your aircraft.

We recommend flying your aircraft outside in calm winds (3 MPH or less) or inside a large gymnasium. Always avoid flying near houses, trees, wires and buildings. You should also be careful to avoid flying in areas where there are many people, such as busy parks, schoolyards or soccer fields.

It is best to fly from a smooth flat surface as this will allow the model to slide without tipping over. Keep the helicopter approximately 2 ft (600mm) above the ground. Keep the tail pointed toward you during initial flights to keep the control orientation consistent. Releasing the stick in Stability or Intermediate Modes will allow the helicopter to level itself and activating the Panic Switch will level the helicopter quickly. If you become disoriented, slowly lower the throttle stick to land softly. During initial flights, only attempt hovering the model in one spot and takeoff and landing.

Takeoff

Place the model onto a flat, level surface free of obstacles and walk back 30 feet (10 meters). Slowly increase the throttle until the model is approximately 2 ft. (600mm) off the ground and check the trim so the model flies as desired. Once the trim is adjusted, begin flying the model.

Typical flight time for the included battery is approximately 10 minutes.

Hovering

Making small corrections on the transmitter, try to hold the helicopter in one spot. If flying in calm winds, the model should require almost no corrective inputs. After moving the cyclic stick and returning it to center the model should level itself. The model may continue to move due to inertia. Move the cycle stick in the opposite direction to stop the movement.

Do not use the trims on the transmitter to eliminate drift. If the helicopter does not hold a reasonable hover in calm conditions, perform the *Drift Calibration*.

SAFE technology delivers:

- Flight envelope protection you can enable at the flip of a switch.
- Multiple modes let you adapt SAFE technology to your skill level instantly.

Best of all, sophisticated SAFE technology doesn't require any work to enjoy. Every aircraft with SAFE installed is ready to use and optimized to offer the best possible flight experience.

FlySAFERC.com

If you get into distress while flying in any mode, pull and hold the Bind/Panic Switch and move the control sticks to their neutral position. The SAFE technology will return the aircraft to a stable attitude, if the aircraft is at a sufficient height with no obstacles in its path. Release the Panic Switch to turn off Panic Recovery and return to the current flight mode.

After you become comfortable hovering, you can progress into flying the model to different locations, keeping the tail pointed towards you at all times. You can also ascend and descend using the throttle stick. Once you're comfortable with these maneuvers, you can attempt flying with the tail in different orientations. It is important to keep in mind that the flight control inputs will rotate with the helicopter, so always try to picture the control inputs relative to the nose of the helicopter. For example, forward will always drop the nose of the helicopter.

Low Voltage Cutoff (LVC)

LVC decreases the power to the motors when the battery voltage gets low. When the motor power decreases and the red LED on the ESC flashes, land the aircraft immediately and recharge the flight battery.

LVC does not prevent the battery from over-discharge during storage.

NOTICE: Repeated flying to LVC will damage the battery.

Landing

To land, slowly decrease the throttle while in a low-level hover. After landing, disconnect and remove the battery from the aircraft after use to prevent trickle discharge. Fully charge your battery before storing it. During storage, make sure the battery charge does not fall below 3V per cell.

Flight Modes

Stability, Low-Angle Mode (FM0): The receiver LED shows solid blue. This flight mode allows a low bank angle and slower flight speed. When the cyclic stick is released the model will self-level.

Stability, High-Angle Mode (FM1): The receiver LED shows solid blue. This flight mode allows a high bank angle and faster flight speed. When the cyclic stick is released the model will self-level.

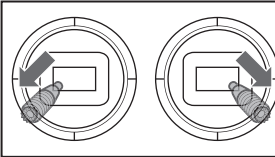
Agility Mode (FM2): The receiver LED shows solid red. The bank angle is not limited. When the cyclic stick is released the model will not self-level.

Drift Calibration

The helicopter has been calibrated in the factory before shipment, but it is possible that a crash will cause mechanical distortion of the frame, resulting in a slight drift in Stability mode. In this situation, please follow the calibration procedure.

Before beginning the calibration procedure, fully charge the flight battery and ensure the helicopter and transmitter are bound properly, per the binding instructions.

To Calibrate the Blade 120 S:

1. After initialization, move the transmitter sticks to the bottom, outside corners, as shown in the illustration. When the red and blue LEDs on the main flight control board glow solid, calibration mode is active.
 
2. Release the sticks.
3. Slowly advance the throttle to bring the helicopter into a low hover. The red and blue LEDs flash continuously to indicate the calibration process has begun. Hold the hover for approximately 15 seconds, using as little control input as possible to keep the helicopter steady.
4. Land the helicopter by slowly lowering the throttle.
5. After landing, press the bind/panic button to complete the calibration process. The LED will show solid blue.

Post-Flight Inspection and Maintenance Checklist

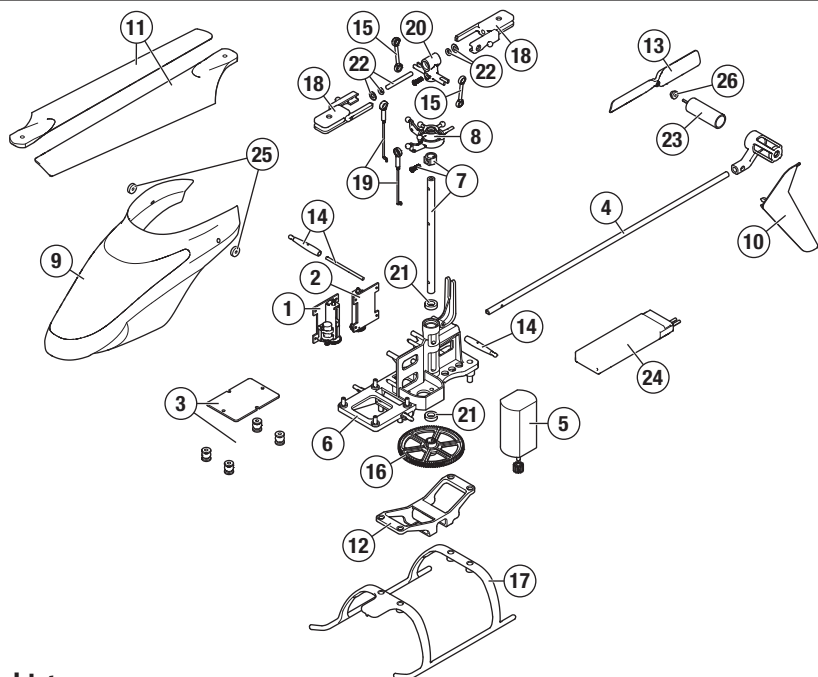
✓	
Ball Links	Make sure the plastic ball link holds the control ball, but is not tight (binding) on the ball. When a link is too loose on the ball, it can separate from the ball during flight and cause a crash. Replace worn ball links before they fail.
Cleaning	Make sure the battery is not connected before cleaning. Remove dust and debris with a soft brush or a dry, lint-free cloth.
Bearings	Replace bearings when they become notchy (sticky in places when turning) or draggy.
Wiring	Make sure the wiring does not contact moving parts. Replace damaged wiring and loose connectors.
Fasteners	Make sure there are no loose screws, other fasteners or connectors. Do not over-tighten metal screws in plastic parts. Tighten screws so the parts are mated together, then turn the screw only 1/8th of a turn more.
Rotors	Make sure there is no damage to rotor blades and other parts which move at high speed. Damage to these parts includes cracks, burrs, chips or scratches. Replace damaged parts before flying. Verify both main rotor blades have the correct and equal tension in the blade grips. When the helicopter is held up sideways, the main blades should support their own weight. When the helicopter is shaken lightly, the blades should fall.
Tail	Inspect the tail rotor for damage and replace if necessary. Inspect the tail boom for any damage and replace if necessary.
Mechanics	Inspect the main frame and landing gear for damage and replace if necessary. Check the mainshaft for vertical play and adjust the locking collar if necessary. Verify that the main gear mesh is correct and that no tight spots exist in the 360 degree rotation. Inspect all wires for damage and replace as necessary.

Troubleshooting Guide

Problem	Possible Cause	Solution
Helicopter is bound to a Spektrum DXe but will not respond to control input	The transmitter is in 9-channel mode	Using the appropriate DXe programming cable and PC or mobile app, either change the transmitter to 7-channel mode or download the Blade 120 S model setup file to your transmitter from www.spektrumrc.com
Helicopter will not respond to throttle	Throttle too high and/or throttle trim is too high	Disconnect the flight battery, place the throttle stick in the lowest position and lower the throttle trim a few clicks. Connect the flight battery and allow the model to initialize
	Helicopter moved during initialization	Disconnect the flight battery and re-initialize the helicopter while keeping the helicopter from moving

Problem	Possible Cause	Solution
Helicopter has reduced flight time or is underpowered	Flight battery charge is low	Completely recharge the flight battery
	Flight battery is damaged	Replace the flight battery and follow the flight battery instructions
	Flight conditions might be too cold	Make sure the battery is warm (room temperature) before use
LED on receiver flashes rapidly and aircraft will not respond to transmitter (during binding)	Transmitter too near aircraft during binding process	Power off the transmitter. Move the transmitter a larger distance from the aircraft. Disconnect and reconnect the flight battery to the aircraft. Follow the binding instructions
	Bind switch or button was not held while transmitter was powered on	Power off transmitter and repeat bind process
	Aircraft or transmitter is too close to large metal object, wireless source or another transmitter	Move aircraft and transmitter to another location and attempt binding again
LED on the receiver flashes rapidly and the helicopter will not respond to the transmitter (after binding)	Less than a 5-second wait between first powering on the transmitter and connecting the flight battery to the helicopter	Leave the transmitter powered on. Disconnect and reconnect the flight battery to the helicopter
	The helicopter is bound to a different model memory (ModelMatch™ transmitters only)	Select the correct model memory on the transmitter. Disconnect and reconnect the flight battery to the helicopter
	Flight battery or transmitter battery charge is too low	Replace or recharge batteries
	Aircraft or transmitter is too close to large metal object, wireless source or another transmitter	Move aircraft and transmitter to another location and attempt connecting again
Helicopter vibrates or shakes in flight	Damaged rotor blades, spindle, blade grips, main gear teeth or cracked main shaft.	Check main rotor blades, blade grips, main gear and main shaft for cracks, chips or missing teeth. Replace damaged parts. Replace bent spindle
	Rotor head linkages not connected correctly	Connect the rotor head linkages to the short ball links on the swashplate
Model does not hold level/ Panic recovery does not level. Random movements in flight	Vibration	Verify the receiver is properly attached to the helicopter. Verify that no wires are contacting the receiver. Inspect and balance all rotating components. Verify the main shaft and tail rotor adapter are not damaged or bent. Inspect mechanics for broken or damaged parts and replace as necessary
Tail oscillation/wag or poor performance	Loose tail boom, damaged tail rotor, loose bolts, vibration	Verify that the boom is tight and completely inserted into the frame. Inspect the tail rotor for damage. Verify the tail motor mount is tight. Replace any damaged or worn components
Drift in calm winds	Vibration, damaged linkage, damaged servo	Under normal operation the transmitter trims should not require adjustment and the center positions are memorized during initialization. If you find that trim adjustments are necessary after take off, verify the balance of all rotating components, ensure the linkages are not damaged and make sure the servos are in proper working condition. Perform the <i>Drift Calibration</i> procedure
Drift in wind	Normal	The model will drift with the wind but should remain level in flight. Simply hold the cyclic stick in the necessary position to keep the model stationary. The model must lean into the wind to remain stationary, if the model remains level then it will drift with the wind
Severe vibration	Rotating component out of balance	Check the main shaft, tail rotor, main rotor blades, main frame and adapter for damage, replace as necessary. Vibration must be minimized for Panic Recovery and Return to Level functions to work properly

Exploded View



Parts List

Part #	Description	Part #	Description		
	BLH4100	120 S RTF	15	BLH3115	Rotor Head Linkage
	BLH4180	120 S BNF	16	BLH3106	Main gear
1	SPMSH2029L	Linear Long, 35mm lead	17	BLH3709	Landing gear Set
2	SPMSH2030L	Linear Long, 60mm lead	18	BLH3114	Main Blade grips with Hardware and screws
3	BLH4101	Main Control Board	19	BLH3108	Servo Pushrod Set with Ball link (2)
4	BLH4102	Tail Boom Set	20	BLH3112	Main Rotor Hub with Hardware
5	BLH4103	Main Motor	21	BLH3128	Main Shaft Bearing 4 x 7 x 2
6	BLH4104	Main Frame	22	BLH3113	Feathering Spindle w/O-rings and bushings
7	BLH4105	Main Shaft w/hardware	23	BLH3129	Tail Motor
8	BLH4106	Swashplate	24	EFLB5001S25	1S, 500 mAh, 25C LiPo Battery, JST
9	BLH4107	Canopy	25	BLH3121	Canopy Mounting Grommets (8)
10	BLH4108	Tail Fin	26	BLH3125	Tail Motor Protective Sleeve
11	BLH4111	Main Blades w/screws		BLH4109	Screw set: 120 S
12	BLH4112	Battery Frame		EFLRMLP6	MLP6DSM transmitter 6 channel SAFE transmitter (RTF only)
13	BLH3117	Tail Rotor		EFLC1010	1S, 500 mAh USB LiPo Charger, JST
14	BLH3705	Canopy Mounts			

Limited Warranty

What this Warranty Covers

Horizon Hobby, LLC, (Horizon) warrants to the original purchaser that the product purchased (the "Product") will be free from defects in materials and workmanship at the date of purchase.

What is Not Covered

This warranty is not transferable and does not cover (i) cosmetic damage, (ii) damage due to acts of God, accident, misuse, abuse, negligence, commercial use, or due to improper use, installation, operation or maintenance, (iii) modification of or to any part of the Product, (iv) attempted service by anyone other than a Horizon Hobby authorized service center, (v) Product not purchased from an authorized Horizon dealer, (vi) Product not compliant with applicable technical regulations, or (vii) use that violates any applicable laws, rules, or regulations. OTHER THAN THE EXPRESS WARRANTY ABOVE, HORIZON MAKES NO OTHER WARRANTY OR REPRESENTATION, AND HEREBY DISCLAIMS ANY AND ALL IMPLIED WARRANTIES, INCLUDING, WITHOUT LIMITATION, THE IMPLIED WARRANTIES OF NON-INFRINGEMENT, MERCHANTABILITY AND FITNESS FOR A PARTICULAR PURPOSE. THE PURCHASER ACKNOWLEDGES THAT THEY ALONE HAVE DETERMINED THAT THE PRODUCT WILL SUITABLY MEET THE REQUIREMENTS OF THE PURCHASER'S INTENDED USE.

Purchaser's Remedy

Horizon's sole obligation and purchaser's sole and exclusive remedy shall be that Horizon will, at its option, either (i) service, or (ii) replace, any Product determined by Horizon to be defective. Horizon reserves the right to inspect any and all Product(s) involved in a warranty claim. Service or replacement decisions are at the sole discretion of Horizon. Proof of purchase is required for all warranty claims. SERVICE OR REPLACEMENT AS PROVIDED UNDER THIS WARRANTY IS THE PURCHASER'S SOLE AND EXCLUSIVE REMEDY.

Limitation of Liability

HORIZON SHALL NOT BE LIABLE FOR SPECIAL, INDIRECT, INCIDENTAL OR CONSEQUENTIAL DAMAGES, LOSS OF PROFITS OR PRODUCTION OR COMMERCIAL LOSS IN ANY WAY, REGARDLESS OF WHETHER SUCH CLAIM IS BASED IN CONTRACT, WARRANTY, TORT, NEGLIGENCE, STRICT LIABILITY OR ANY OTHER THEORY OF LIABILITY, EVEN IF HORIZON HAS BEEN ADVISED OF THE POSSIBILITY OF SUCH DAMAGES. Further, in no event shall the liability of Horizon exceed the individual price of the Product on which liability is asserted. As Horizon has no control over use, setup, final assembly, modification or misuse, no liability shall be assumed nor accepted for any resulting damage or injury. By the act of use, setup or assembly, the user accepts all resulting liability. If you as the purchaser or user are not prepared to accept the liability associated with the use of the Product, purchaser is advised to return the Product immediately in new and unused condition to the place of purchase.

Law

These terms are governed by Illinois law (without regard to conflict of law principals). This warranty gives you specific legal rights, and you may also have other rights which vary from state to state. Horizon reserves the right to change or modify this warranty at any time without notice.

WARRANTY SERVICES

Questions, Assistance, and Services

Your local hobby store and/or place of purchase cannot provide warranty support or service. Once assembly, setup or use of the Product has been started, you must contact your local distributor or Horizon directly. This will enable Horizon to better answer your questions and service you in the event that you

may need any assistance. For questions or assistance, please visit our website at www.horizonhobby.com, submit a Product Support Inquiry, or call the toll free telephone number referenced in the Warranty and Service Contact Information section to speak with a Product Support representative.

Inspection or Services

If this Product needs to be inspected or serviced and is compliant in the country you live and use the Product in, please use the Horizon Online Service Request submission process found on our website or call Horizon to obtain a Return Merchandise Authorization (RMA) number. Pack the Product securely using a shipping carton. Please note that original boxes may be included, but are not designed to withstand the rigors of shipping without additional protection. Ship via a carrier that provides tracking and insurance for lost or damaged parcels, as Horizon is not responsible for merchandise until it arrives and is accepted at our facility. An Online Service Request is available at http://www.horizonhobby.com/content/_service-center_render-service-center. If you do not have internet access, please contact Horizon Product Support to obtain a RMA number along with instructions for submitting your product for service. When calling Horizon, you will be asked to provide your complete name, street address, email address and phone number where you can be reached during business hours. When sending product into Horizon, please include your RMA number, a list of the included items, and a brief summary of the problem. A copy of your original sales receipt must be included for warranty consideration. Be sure your name, address, and RMA number are clearly written on the outside of the shipping carton.

NOTICE: Do not ship Li-Po batteries to Horizon. If you have any issue with a Li-Po battery, please contact the appropriate Horizon Product Support office.

Warranty Requirements

For Warranty consideration, you must include your original sales receipt verifying the proof-of-purchase date. Provided warranty conditions have been met, your Product will be serviced or replaced free of charge. Service or replacement decisions are at the sole discretion of Horizon.

Non-Warranty Service

Should your service not be covered by warranty, service will be completed and payment will be required without notification or estimate of the expense unless the expense exceeds 50% of the retail purchase cost. By submitting the item for service you are agreeing to payment of the service without notification. Service estimates are available upon request. You must include this request with your item submitted for service. Non-warranty service estimates will be billed a minimum of ½ hour of labor. In addition you will be billed for return freight. Horizon accepts money orders and cashier's checks, as well as Visa, MasterCard, American Express, and Discover cards. By submitting any item to Horizon for service, you are agreeing to Horizon's Terms and Conditions found on our website http://www.horizonhobby.com/content/_service-center_render-service-center.

ATTENTION: Horizon service is limited to Product compliant in the country of use and ownership. If received, a non-compliant Product will not be serviced. Further, the sender will be responsible for arranging return shipment of the un-serviced Product, through a carrier of the sender's choice and at the sender's expense. Horizon will hold non-compliant Product for a period of 60 days from notification, after which it will be discarded.

10/15

Warranty and Service Contact Information

Country of Purchase	Horizon Hobby	Contact Information	Address
United States of America	Horizon Service Center (Repairs and Repair Requests)	servicecenter.horizonhobby.com/ RequestForm/	4105 Fieldstone Rd Champaign, Illinois, 61822 USA
	Horizon Product Support (Product Technical Assistance)	productsupport@horizonhobby.com 888-959-2304	
	Sales	sales@horizonhobby.com 888-959-2304	
United Kingdom	Service/Parts/Sales: Horizon Hobby Limited	sales@horizonhobby.co.uk +44 (0) 1279 641 097	Units 1-4 , Ployters Rd, Staple Tye Harlow, Essex, CM18 7NS, United Kingdom
Germany	Horizon Technischer Service Sales: Horizon Hobby GmbH	service@horizonhobby.de +49 (0) 4121 2655 100	Christian-Junge-Straße 1 25337 Elmshorn, Germany
France	Service/Parts/Sales: Horizon Hobby SAS	infofrance@horizonhobby.com +33 (0) 1 60 18 34 90	11 Rue Georges Charpak 77127 Lieusaint, France

FCC Information

This device complies with part 15 of the FCC rules. Operation is subject to the following two conditions: (1) This device may not cause harmful interference, and (2) this device must accept any interference received, including interference that may cause undesired operation.



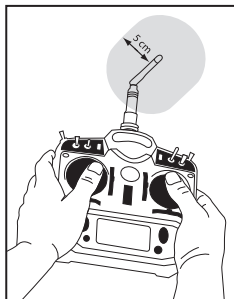
CAUTION: Changes or modifications not expressly approved by the party responsible for compliance could void the user's authority to operate the equipment.

This product contains a radio transmitter with wireless technology which has been tested and found to be compliant with the applicable regulations governing a radio transmitter in the 2.400GHz to 2.4835GHz frequency range.

Antenna Separation Distance

When operating your transmitter, please be sure to maintain a separation distance of at least 5 cm between your body (excluding fingers, hands, wrists, ankles and feet) and the antenna to meet RF exposure safety requirements as determined by FCC regulations.

The following illustrations show the approximate 5 cm RF exposure area and typical hand placement when operating your transmitter.



IC Information

This device complies with Industry Canada license-exempt RSS standard(s). Operation is subject to the following two conditions:

(1) this device may not cause interference, and (2) this device must accept any interference, including interference that may cause undesired operation of the device.

Compliance Information for the European Union



EU Compliance Statement:

RTF:

Horizon Hobby, LLC hereby declares that this product is in compliance with the essential requirements and other relevant provisions of the R&TTE, EMC, and LVD Directives.

BNF:

Horizon Hobby, LLC hereby declares that this product is in compliance with the essential requirements and other relevant provisions of the R&TTE and EMC Directives.

A copy of the EU Declaration of Conformity is available online at: <http://www.horizonhobby.com/content/support-render-compliance>.



Instructions for disposal of WEEE by users in the European Union

This product must not be disposed of with other waste. Instead, it is the user's responsibility to dispose of their waste equipment by handing it over to a designated collection point for the recycling of waste electrical and electronic equipment. The separate collection

and recycling of your waste equipment at the time of disposal will help to conserve natural resources and make sure that it is recycled in a manner that protects human health and the environment. For more information about where you can drop off your waste equipment for recycling, please contact your local city office, your household waste disposal service or where you purchased the product.



E328

HINWEIS

Alle Anweisungen, Garantien und anderen zugehörigen Dokumente können im eigenen Ermessen von Horizon Hobby, LLC jederzeit geändert werden. Die aktuelle Produktliteratur finden Sie auf horizonhobby.com unter der Registerkarte „Support“ für das betreffende Produkt.

Spezielle Bedeutungen

Die folgenden Begriffe werden in der gesamten Produktliteratur verwendet, um auf unterschiedlich hohe Gefahrenrisiken beim Betrieb dieses Produkts hinzuweisen:

HINWEIS: Wenn diese Verfahren nicht korrekt befolgt werden, können sich möglicherweise Sachschäden UND geringe oder keine Gefahr von Verletzungen ergeben.

ACHTUNG: Wenn diese Verfahren nicht korrekt befolgt werden, ergeben sich wahrscheinlich Sachschäden UND die Gefahr von schweren Verletzungen.

WARNUNG: Wenn diese Verfahren nicht korrekt befolgt werden, ergeben sich wahrscheinlich Sachschäden, Kollateralschäden und schwere Verletzungen ODER mit hoher Wahrscheinlichkeit oberflächliche Verletzungen.



WARNUNG: Lesen Sie die GESAMTE Bedienungsanleitung, um sich vor dem Betrieb mit den Produktfunktionen vertraut zu machen. Wird das Produkt nicht korrekt betrieben, kann dies zu Schäden am Produkt oder persönlichem Eigentum führen oder schwere Verletzungen verursachen.

Dies ist ein hochentwickeltes Hobby-Produkt. Es muss mit Vorsicht und gesundem Menschenverstand betrieben werden und benötigt gewisse mechanische Grundfähigkeiten. Wird dieses Produkt nicht auf eine sichere und verantwortungsvolle Weise betrieben, kann dies zu Verletzungen oder Schäden am Produkt oder anderen Sachwerten führen. Dieses Produkt eignet sich nicht für die Verwendung durch Kinder ohne direkte Überwachung eines Erwachsenen. Versuchen Sie nicht ohne Genehmigung durch Horizon Hobby, LLC das Produkt zu zerlegen, es mit inkompatiblen Komponenten zu verwenden oder auf jegliche Weise zu erweitern. Diese Bedienungsanleitung enthält Anweisungen für Sicherheit, Betrieb und Wartung. Es ist unbedingt notwendig, vor Zusammenbau, Einrichtung oder Verwendung alle Anweisungen und Warnhinweise im Handbuch zu lesen und zu befolgen, damit es bestimmungsgemäß betrieben werden kann und Schäden oder schwere Verletzungen vermieden werden.

Nicht geeignet für Kinder unter 14 Jahren. Dies ist kein Spielzeug.

Sicherheitsvorkehrungen und Warnhinweise

- Halten Sie stets in allen Richtungen einen Sicherheitsabstand um Ihr Modell, um Zusammenstöße oder Verletzungen zu vermeiden. Dieses Modell wird von einem Funksignal gesteuert, das Interferenzen von vielen Quellen außerhalb Ihres Einflussbereiches unterliegt. Diese Interferenzen können einen augenblicklichen Steuerungsverlust verursachen.
- Betreiben Sie Ihr Modell immer auf einer Freifläche ohne Fahrzeuge in voller Größe, Verkehr oder Menschen.
- Befolgen Sie stets sorgfältig die Anweisungen und Warnhinweise für das Modell und jegliche optionalen Hilfsgeräte (Ladegeräte, Akkupacks usw.).
- Bewahren Sie alle Chemikalien, Klein- und Elektroteile stets außerhalb der Reichweite von Kindern auf.
- Setzen Sie Geräte, die für diesen Zweck nicht speziell ausgelegt und geschützt sind, niemals Wasser aus. Feuchtigkeit kann die Elektronik beschädigen.
- Stecken Sie keinen Teil des Modells in den Mund, da dies zu schweren Verletzungen oder sogar zum Tod führen kann.
- Betreiben Sie Ihr Modell nie mit fast leeren Senderakkus.
- Halten Sie das Fluggerät immer in Sicht und unter Kontrolle.
- Gehen Sie sofort auf Motor Aus bei Rotorberührung.
- Verwenden Sie immer vollständig geladene Akkus.
- Lassen Sie immer den Sender eingeschaltet wenn das Fluggerät eingeschaltet ist.
- Nehmen Sie vor der Demontage des Fluggerätes die Akkus heraus.
- Halten Sie bewegliche Teile immer sauber.
- Halten Sie die Teile immer trocken.
- Lassen Sie Teile immer erst abkühlen bevor Sie sie anfassen.
- Nehmen Sie die Akkus/Batterien nach Gebrauch heraus.
- Betreiben Sie Ihr Fluggerät niemals mit beschädigter Verkabelung.
- Fassen Sie niemals bewegte Teile an.



WARNUNG GEGEN GEFÄLSCHTE PRODUKTE: Sollten Sie jemals eine Spektrum Komponente ersetzen wollen, kaufen Sie die benötigten Ersatzteile immer bei Horizon Hobby oder einem von Horizon Hobby autorisiertem Händler um die hohe Qualität des Produktes zu gewährleisten. Horizon Hobby LLC lehnt jedwede Haftung, Garantie oder Unterstützung sowie Kompatibilitäts- oder Leistungsansprüche zu DSM oder Spektrum in Zusammenhang mit gefälschten Produkten ab.

Inhaltsangabe

Lieferumfang	19	SAFE Technologie.....	27
Vorbereitung für den Erstflug	20	Panikrettung	27
Checkliste zum Fliegen.....	20	Fliegen des 120 S.....	27
Akku-Warnhinweise	20	Driftkalibrierung	28
Laden des Flugakkus	20	Kontrollen nach dem Flug und Wartung	28
Einsetzen der Senderbatterien (RTF)	21	Leitfaden zur Problemlösung.....	28
Sendereinstellungen (BNF).....	21	Explosionszeichnung	30
Einsetzen des Flugakkus	24	Teileliste	30
Binden von Sender und Empfänger	24	Garantie und Service Informationen.....	31
Senderfunktionen (RTF)	25	Garantie und Service Kontaktinformationen.....	32
Kontrolltests	26	Rechtliche Informationen für die Europäische Union	32
Einführung in die Hauptsteuerfunktionen	26		

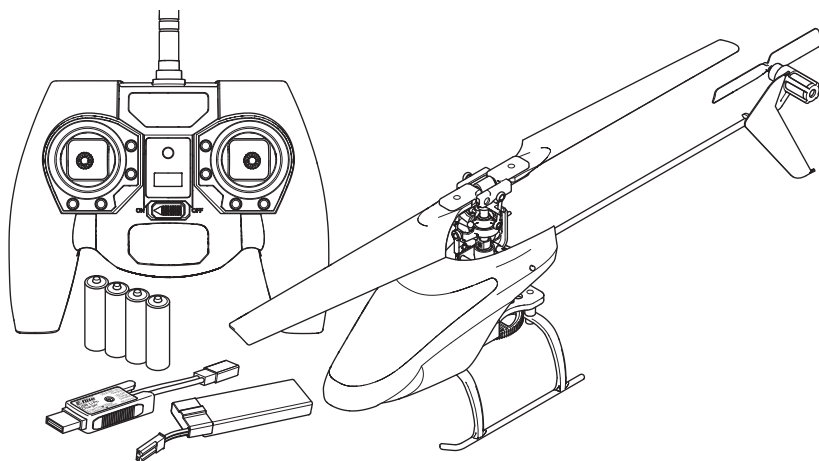
Spezifikationen

Länge	320mm	Heckrotordurchmesser	70mm
Höhe	108mm	Fluggewicht	106 g
Hauptrotordurchmesser	330mm		

Sie können Ihr Produkt online unter www.bladehelis.com registrieren.

Lieferumfang

- Blade 120 S
- 500mAh 1S 3,7V 25C Li-Po Akku
- 1S USB Lipo Lader
- LP6DSM SAFE Sender (nur in RTF version)
- 4 AA Batterien (nur in RTF version)



Vorbereitung für den Erstflug

- Entnehmen und überprüfen Sie die Komponenten
- Laden Sie den Flugakku
- Setzen Sie die Batterien in den Sender ein (nur RTF Version)
- Programmieren Sie Ihren Sender (nur BNF Version)
- Setzen Sie den Akku ein wenn er vollständig geladen ist
- Binden von Sender (nur BNF Version)
- Machen Sie sich mit den Kontrollen vertraut
- Finden Sie eine geeignete Fläche zum fliegen

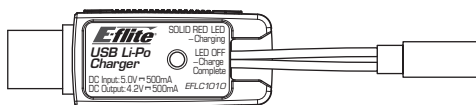
Akku-Warnhinweise



ACHTUNG: Alle Anweisungen und Warnhinweise müssen genau befolgt werden. Falsche Handhabung von Li-Po-Akkus kann zu Brand, Personen- und/oder Sachwertschäden führen.

- **LASSEN SIE LADEN VON AKKUS UNBEAUF SICHTIGT.**
- **LADEN SIE NIEMALS AKKUS ÜBER NACHT.**
- Durch Handhabung, Aufladung oder Verwendung des mitgelieferten Li-Po-Akkus übernehmen Sie alle mit Lithiumakkus verbundenen Risiken.
- Sollte der Akku zu einem beliebigen Zeitpunkt beginnen, sich aufzublähen oder anzuschwellen, stoppen Sie die Verwendung unverzüglich. Falls dies beim Laden oder Entladen auftritt, stoppen Sie den Lade-/Entladevorgang, und entnehmen Sie den Akku. Wird ein Akku, der sich aufbläht oder anschwillt, weiter verwendet, geladen oder entladen, besteht Brandgefahr.
- Lagern Sie den Akku stets bei Zimmertemperatur an einem trockenen Ort.
- Bei Transport oder vorübergehender Lagerung des Akkus muss der Temperaturbereich zwischen 40°F und 120°F (ca. 5 – 49°C) liegen. Akku oder Modell dürfen nicht im Auto oder unter direkter Sonneneinstrahlung gelagert werden. Bei Lagerung in einem heißen Auto kann der Akku beschädigt werden oder sogar Feuer fangen.

Laden des Flugakkus



HINWEIS: Laden Sie Akkus nur, wenn sie auf Umgebungstemperatur abgekühlt sind. Schauen Sie sich den Akku an und stellen Sie sicher, dass dieser nicht beschädigt oder aufgequollen ist.

1. Stecken Sie den Lader in den USB Port.
2. Schließen Sie den Akku an das Ladekabel an.
3. Entnehmen Sie den Akku immer aus dem Lader, sobald der Ladevorgang beendet ist.



ACHTUNG: Verwenden Sie nur Ladegeräte, die für LIPO Akkus vorgesehen sind. Nichtbeachtung kann zu Feuer, Beschädigungen oder Verletzungen führen.



ACHTUNG: Überschreiten Sie niemals die vorgesehene Ladezeit.

Checkliste zum Fliegen

- Schalten Sie immer den Sender zuerst ein**
- Stecken Sie den Flugakku an den Anschluß der ESC
- Lassen Sie der ESC Kontrolleinheit Zeit zum initialisieren und armenieren
- Fliegen Sie das Modell
- Landen Sie das Modell
- Stecken Sie den Flugakku von der ESC
- Schalten Sie immer den Sender als letztes aus**

- Laden Sie die Akkus immer weit entfernt von brennbaren Materialien.
- Überprüfen Sie immer den Akku vor dem Laden und laden Sie niemals defekte oder beschädigte Akkus.
- Verwenden Sie ausschließlich ein Ladegerät das speziell für das Laden von LiPo Akku geeignet ist. Das Laden mit einem nicht geeignetem Ladegerät kann Feuer und / oder Sachbeschädigung zur Folge haben.
- Überwachen Sie ständig die Temperatur des Akkupsacks während des Ladens.
- Trennen Sie immer den Akku nach dem Laden und lassen das Ladegerät abkühlen.
- Entladen Sie niemals ein LiPo Akku unter 3V pro Zelle unter Last.
- Verdecken Sie niemals Warnhinweise mit Klettband.
- Lassen Sie niemals Akkus während des Ladens unbeaufsichtigt.
- Laden Sie niemals Akkus ausserhalb ihrer sicheren Grenzen.
- Laden Sie nur Akkus die kühl genug zum anfassen sind.
- Versuchen Sie nicht das Ladegerät zu demontieren oder zu verändern.
- Lassen Sie niemals Minderjährige Akkus laden.
- Laden Sie niemals Akkus an extrem kalten oder heißen Plätzen (empfohlener Temperaturbereich 5 – 49°) oder im direkten Sonnenlicht.

LED Anzeigen

Bei erfolgreicher Verbindung von Akku und Lader leuchtet die LED rot und zeigt an, dass der Ladevorgang begonnen hat. Das Laden eines vollständig entladenen Akkus von 500mAh dauert ca. 60 Minuten. Die LED erlischt, wenn der Akku vollständig geladen ist.

Laden: LED rot

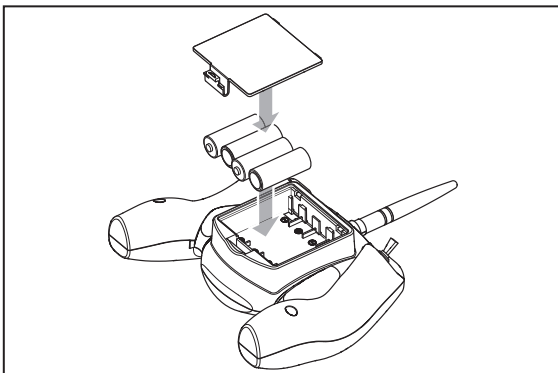
Fertig geladen: LED aus



ACHTUNG: Entnehmen Sie den Akku aus dem Lader, sobald dieser fertig geladen ist. Belassen Sie den Akku niemals im Lader.

Einsetzen der Senderbatterien (RTF)

Ersetzen Sie die Sender Batterien wenn die der Sender piept.



Sendereinstellungen (BNF)

Sie müssen Ihren Sender zuerst programmieren, bevor Sie den Helikopter binden oder fliegen können. Die Werte, die Sie zum Programmieren Ihres Senders für Spektrum DX6i, DX7s, DX6, DX7, DX8, DX9 und DX18 Empfänger benötigen, sind unten angeführt.

Die Spektrum-Modelldateien für AirWare Sender stehen auch online in der Spektrum Community zum Download zur Verfügung.

Der Hubschrauber ist ebenfalls mit der Spektrum DXe Fernsteuerung mit der Softwareversion 1.3 oder höher kompatibel. Nutzen Sie die unten stehenden Anweisungen um den Kanal 6 zu reversieren oder verwenden Sie das Programmierkabel für den PC oder die App. Wir empfehlen den Download des Blade 120S DXe Modellspeichers unter www.spektrumrc.com.

DXe

Um den DXe Sender mit dem Blade 120S zu verwenden muss der Kanal 6 reversiert werden.

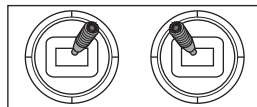
Um den Kanal 6 zu reversieren:

1. Halten Sie bei dem Einschalten der DXe den linken und rechten Steuerknüppel wie abgebildet in die oberen inneren Ecken.
2. Bringen Sie die Steuerknüppel zurück in die Mittelstellung nachdem der Sender gepiept hat. Die LED blinkt dann langsam.
3. Um den Kanal auszuwählen den Sie reversieren möchten, bewegen Sie den rechten Steuerhebel nach links oder rechts und dann wieder in die Mitte. Bewegen Sie den Steuerhebel nach rechts um den nächsten Kanal zu wählen, bewegen Sie den Steuerhebel nach links um den vorherigen Kanal zu wählen. Die LED blinkt schnell entsprechend dem ausgewählten Kanal wie in der Tabelle dargestellt. Wählen Sie Kanal 6.
4. Um den ausgewählten Kanal zu reversieren bewegen Sie den rechten Steuerhebel rauf oder runter. Die LED wechselt die Farbe um die geänderte Richtung anzuzeigen.

Die LED blinkt **orange** wenn die Kanalrichtung **normal** ist.

Die LED blinkt **rot** um anzuzeigen dass der Kanal **reversiert** ist.

5. Schalten Sie die DXe um die Änderungen zu speichern.



LED Flashes	Kanal
1	1-Gas
2	2-Querruder
3	3-Höhenruder
4	4-Seitenruder
5	5-Flug-Modus
6	6-Panik
7	7-Klappen
8	8-Aux-Kanal



ACHTUNG: Überprüfen Sie bei dem folgenden Einschalten ob die Gasrichtung korrekt ist und halten sich vom Motor und Rotorblättern fern. Ein nicht beachten kann zu Verletzungen und zu Schäden am Produkt führen.

Binden Sie nach dem Reversieren des Kanal 6 den Hubschrauber normal mit dem Sender.

Die Flugmodes werden durch den Flugmodeschalter kontrolliert.

Der Panikmode wird durch Binde/Panik/ Trainerbutton kontrolliert.

Nach dem Binden sollte die LED im Hubschrauber blau für die Flugmodes 0 und 1 (Stabilitäts- und großer Neigewinkel Mode) und rot für den Flugmode 2 (Agilitätsmode) leuchten.

Sollte die LED bei allen drei Flugmode blau leuchten ist der Kanal 6 nicht korrekt reversiert worden. Bitte beachten Sie dann die oben stehenden Anweisungen.

DX6i

SETUP LIST	
Model Type	Acro
REVERSE	
Channel	Direction
THRO	N
AILE	N
ELEV	N
RUDD	N
GEAR	R
FLAP	N
Modulation Type	
AUTO DSMX-ENABLE	
D/R COMBI	
D/R SW	AILE
Timer	
Down Timer	5:00
Switch	THR CUT

ADJUST LIST			
TRAVEL ADJ		D/R & Expo	
Channel	Travel	Chan	Sw Pos
THRO	100/100	AILE	0
AILE	100/100		1
ELEV	100/100	ELEV	0
RUDD	100/100		1
GEAR	100/100	RUDD	0
PITC	100/100		1
FLAPS		Mixing	
	FLAP	ELEV	
NORM	↑100	0	
LAND	↓100	0	
		MIX 1	ACT
		GEAR > GEAR	ACT
		RATE	D 0% U -100%
		SW	GEAR TRIM - INH
		MIX 2	ACT
		GEAR > GEAR	ACT
		RATE	D 0% U +100%
		SW	ELE D/R TRIM - INH

Panik Modeschalter

Gyro Schalter: Pos 0 = Panikmode Aus
Pos 1 = Panikmode Ein

Flugmodes

Gear Schalter : Pos 0, Elev D/R Schalter 0 oder 1 = Stabilitätsmode mit geringen Neigewinkel

Gear Schalter : Pos 1, Elev D/R Schalter 0 = Stabilitätsmode mit großen Neigewinkel

Gear Schalter : Pos 1, Elev D/R Schalter 1 = Agilitäts Mode

DX7s

Systemeinstellung	
Modelltyp	ACRO
SW Select	
Trainer	Aux 1
Klappen	FW
andere	AUS

Funktionsliste						
Servo Setup						
Kanal	Servoweg	Laufrichtung	Kanal	Servoweg	Laufrichtung	
GAS	100/100	Normal	FW	100/100	Normal	
ROL	100/100	Normal	AX1	100/100	Reverse	
NCK	100/100	Normal	AX2	100/100	Normal	
HCK	100/100	Normal				
D/R & Expo			D/R & Expo			
Kanal	Schalter Pos (FLAP)	D/R	Expo*	Kanal	Schalter Pos (FLAP)	D/R
AILE	0	100/100	0	RUDD	0	100/100
	1	100/100	0		1	100/100
	2	75/75	0		2	75/75
ELEV	0	100/100	0			
	1	100/100	0			
	2	75/75	0			
Gas Aus						
Schalter		Mix 1				
Timer						
Mode		Count Down				
Time		5:00 Tone				
Start		Gas über				
Pos		25%				

Panikmode Funktion

Trainer Binde Button
Gedrückt = Panik Mode Ein
Gelöst = Panikmode Aus

Flugmodes

Flap (Klappen) Schalter: Pos. 0 = Stabilitätsmode mit geringen Neigewinkel
Pos. 1 = Stabilitätsmode mit großen Neigewinkel
Pos. 2 = Agilitätsmode

* Zum Fliegen des 120S ist keine Expoprogrammierung nötig. Der Pilot kann sie jedoch nach seinen Wünschen einstellen.

DX8

Systemeinstellung	
Modelltyp	ACRO
SW Select	
Trainer	Aux 1
F Mode	FW
andere	AUS

Funktionsliste					
Servoeinstellung					
Kanal	Servoweg	Laufrichtung	Kanal	Servoweg	Laufrichtung
GAS	100/100	Normal	FW	100/100	Normal
ROL	100/100	Normal	AX1	100/100	Reverse
NCK	100/100	Normal	AX2	100/100	Normal
HCK	100/100	Normal			
D/R & Expo				D/R & Expo	
Kanal	Shalter Pos (AIL D/R)	D/R	Expo*	Kanal	Shalter Pos (AIL D/R)
ROL	0	100/100	0	HCK	0
	1	100/100	0		1
	2	75/75	0		2
NCK	0	100/100	0		
	1	100/100	0		
	2	75/75	0		
Gas Aus					
Schalter		Mix 1			
Timer					
Mode		Count Down			
Time		5:00 Tone			
Start		Gas über			
Pos		25%			

Panikmode Funktion

Trainer Binde Button

Gedrückt = Panik Mode Ein

Gelöst = Panikmode Aus

Flugmodes

Flugmodeschalter: Pos. 0 = Stabilitätsmode mit geringen Neigewinkel

Pos. 1 = Stabilitätsmode mit großen Neigewinkel

Pos. 2 = Agilitätsmode

DX6, DX7 (neu), DX9, DX18

Systemeinstellung	
Modelltyp	Airplane
Flugzustand	
Schalter 1	Schalter B
Schalter 2	Aus
Kanalzuweisung	
Eingabekanal	
1 Gas	N/A
2 Rol	N/A
3 Nck	N/A
4 Hck	N/A
5 FW	B
6 AUX 1	I

Funktionsliste					
Servoeinstellung					
Kanal	Servoweg	Laufrichtung	Kanal	Servoweg	Laufrichtung
GAS	100/100	Normal	AX1	100/100	Reverse
ROL	100/100	Normal	AX2	100/100	Normal
NCK	100/100	Normal	AX3	100/100	Normal
HCK	100/100	Normal	AX4	100/100	Normal
FW	100/100	Normal			
D/R & Expo					
Kanal	Schalter (F) Pos		D/R	Expo*	
	DX6	DX7, 9, 18			
ROL	0	0	100/100	0	
	1	2	75/75	0	
NCK	0	0	100/100	0	
	1	1	100/100	0	
	1	2	75/75	0	
HCK	0	0	100/100	0	
	0	1	100/100	0	
	1	2	75/75	0	
Gas Aus					
Position		-130			
Schalter		Schalter H			
		0		1	
Uhr					
Mode		Herunterzählen			
Zeit		5:00			
Start		Gasknüppel			
Über		25%			
Einmal		Aus			

Panikmode Funktion

Binde / I Button

Gedrückt = Panikmode Ein

Gelöst = Panikmode Aus

Flugmodes

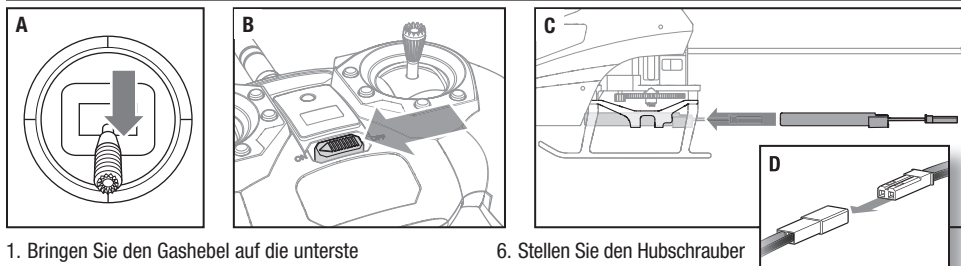
Schalter B: Pos. 0 = Stabilitätsmode mit geringen Neigewinkel

Pos. 1 = Stabilitätsmode mit großen Neigewinkel

Pos. 2 = Agilitätsmode

* Zum Fliegen des 120S ist keine Expoprogrammierung nötig. Der Pilot kann sie jedoch nach seinen Wünschen einstellen.

Einsetzen des Flugakkus



1. Bringen Sie den Gashebel auf die unterste Position **(A)** und zentrieren alle Trimmungen.
2. Stellen Sie den Flugmodeschalter auf den Stabilitätsmode (FM0).
3. Schalten Sie den Sender ein **(B)**.
4. Schieben Sie vorsichtig den Flugakku in den Halter am Hubschrauberrahmen **(C)**.
5. Schließen Sie den Akkustecker am Akku an und achten dabei auf die korrekte Polarität **(D)**.



ACHTUNG: Der verpolte Anschluss des Akkus an den Regler beschädigt den Regler, Akku oder beides. Schäden die durch falschen Anschluss entstanden sind werden nicht von der Garantie gedeckt.

6. Stellen Sie den Hubschrauber auf eine ebene Oberfläche und lassen ihn vollkommen still stehen bis die rote LED die Farbe auf blau ändert und damit anzeigt, dass die Initialisierung durchgeführt ist.

HINWEIS: Der Hubschrauber muß vollkommen still stehen bis die LED auf Platine blau leuchtet.

Sollte die Initialisierung nicht wie beschrieben erfolgen, lesen Sie bitte im Leitfaden zur Problemlösung auf der Rückseite der Anleitung.



ACHTUNG: Trennen Sie immer den Akku vom Quadcopter wenn Sie nicht fliegen um ein tiefentladen des Akkus zu vermeiden. Akkus die unter die zulässige Grenze entladen werden können dabei beschädigt werden, was zu Leistungsverlust und potentieller Brandgefahr beim Laden führen kann.

Binden von Sender und Empfänger

Ihr RTF Sender ist bereits an das Modell gebunden. Sollten Sie neu binden wollen folgen Sie bitte den untenstehenden Anweisungen.

MLP6DSM Bindeprozess (RTF)

1. Trennen Sie den Flugakku vom Hubschrauber.
2. Stellen Sie alle Trimmungen in die Mitte.
3. Schalten Sie den Sender aus und bringen Sie den Gashebel in die niedrigste Position.
4. Schließen Sie den Flugakku an den Hubschrauber an. Die blaue LED auf der Platine blinkt nach 5 Sekunden.
5. Drücken Sie den linken Stick in den Sender bis Sie es klicken hören, halten ihn gedrückt und schalten dann den Sender ein.
6. Lassen Sie den Stick los. Der Sender piept und die Power LED blinkt.
7. Der Hubschrauber ist gebunden wenn die LED auf der control Einheit blau leuchtet (nicht blinkt).
8. Trennen Sie den Flugakku und schalten den Sender aus.

* Dieser Stickschalter kann ebenfalls für den Bindevorgang verwendet werden.

Wenn Probleme auftreten beachten Sie bitte die Bindeanweisungen und schauen in die Hilfestellung zur Problemlösung. Kontaktieren Sie falls notwendig den technischen Service von Horizon Hobby. Eine Liste der kompatiblen DSM Sender sehen Sie unter www.bindnfly.com.

Um ihren Hubschrauber an den gewählten Sender zu binden oder neu zu binden folgen Sie bitte den untenstehenden Anweisungen.

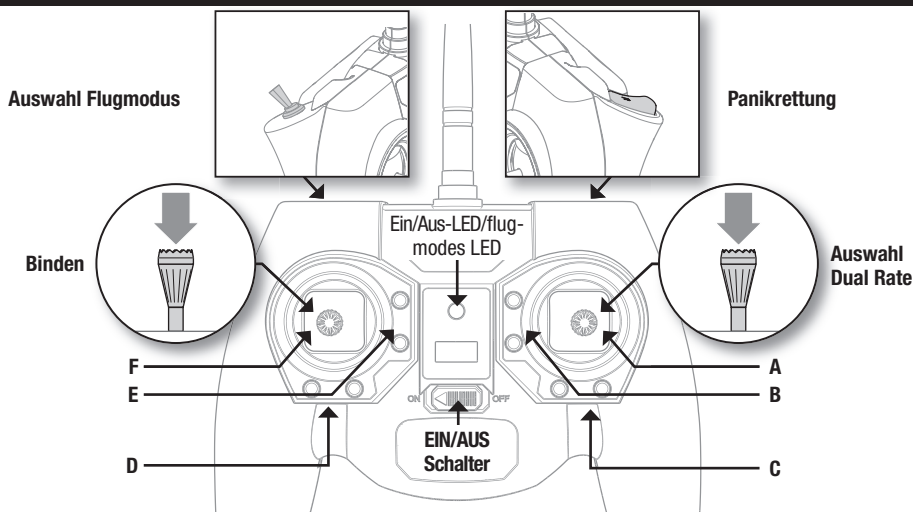
Der Bindevorgang (BNF)

1. Trennen Sie den Flugakku vom Hubschrauber.
2. Entnehmen Sie aus der Sendereinstelltablelle die korrekte Einstellung für ihren Sender.
3. Bringen Sie den Gashebel auf die unterste Position und zentrieren alle Trimmungen auf dem Sender.
4. Schalten Sie den Sender aus und alle Schalter in die 0 Position. Stellen Sie das Gas in die Niedrig / Motor Aus Position.
5. Schließen Sie den Flugakku an die Platine an. Die LED auf der Platine blinkt und zeigt den aktivierten Bindemode an.
6. Aktivieren Sie den Bindenmode des Senders währen Sie ihn einschalten.
7. Lassen Sie den Bindeschalter nach 2-3 Sekunden los. Der Hubschrauber ist gebunden wenn die LED leuchtet.
8. Trennen Sie den Flugakku und schalten den Sender aus.



ACHTUNG: Wenn Sie einen Futaba-Sender mit einem Spektrum DSM-Modul verwenden, müssen Sie den Gaskanal reversieren (umkehren) und danach das System neu binden. Lesen Sie bitte für den Bindevorgang und programmieren der Failsafeeinstellungen die Bedienungsanleitung des Spektrum Modules. Zum reversieren des Gaskanals lesen Sie bitte in der Anleitung des Futaba Senders nach.

Senderfunktionen (RTF)



Wenn die Trimmasten gedrückt werden, geben sie einen Signalton von sich, der bei jedem erneuten Drücken höher oder tiefer wird. Die mittlere oder neutrale Trimmstellung erklingt in der mittleren Tonhöhe. An den äußeren Enden des Steuerbereichs erklingt eine Tonfolge.

Sensivität der Kontrollen

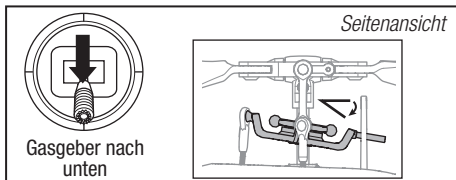
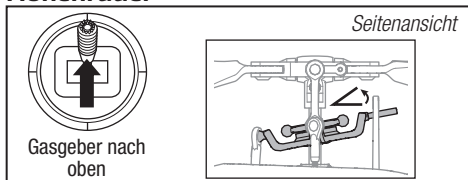
Die Sensivität der Kontrollen kann durch drücken und lösen des rechten Steuerknüppels geändert werden. Die LED auf dem Sender leuchtet für hohe Sensivität (Standard) und blinkt für niedrige Sensivität.

	A	B	C	D	E	F
Modus 1	Querruder (links/rechts) Gas (auf/ab)	Gastrimm	Querrudertrimm	Seitenru- dertrimm	Höhenru- dertrimm	Seitenru- der (links/rechts) Höhenru- der (auf/ab)
Modus 2	Querruder (links/rechts) Höhenru- der (auf/ab)	Höhenru- dertrimm	Querrud- dertrimm	Seitenru- dertrimm	Gastrimm	Seitenru- der (links/rechts) Gas (auf/ab)

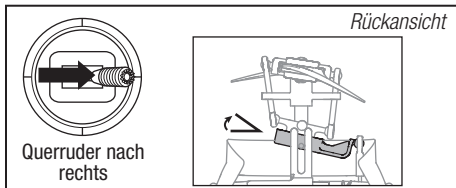
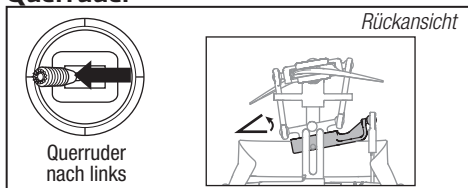
Kontrolltests

Testen Sie vor dem Erstflug die Kontrollen um sicher zustellen, dass die Servos, Anlenkungen und weitere Teile richtig arbeiten. Versichern Sie sich, dass das Gas in der niedrigsten Position bei dem Durchführen dieser Tests ist.

Höhenruder



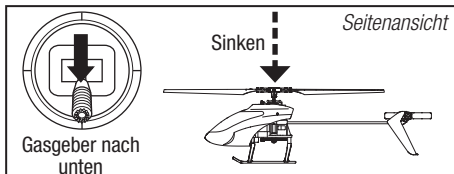
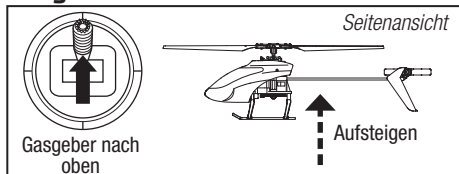
Querruder



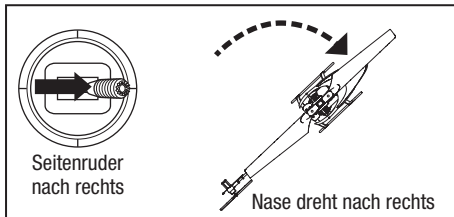
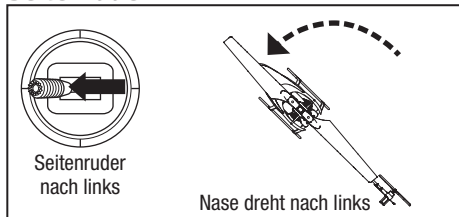
Einführung in die Hauptsteuerfunktionen

Wenn Ihnen die Steuerung Ihres 120 S noch nicht geläufig ist, nehmen Sie sich bitte ein paar Minuten Zeit, um sich mit ihr vertraut zu machen, bevor Sie Ihren ersten Flug versuchen.

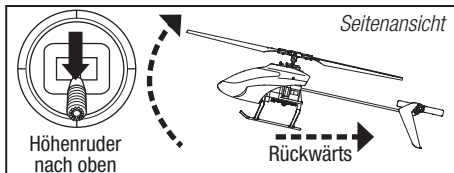
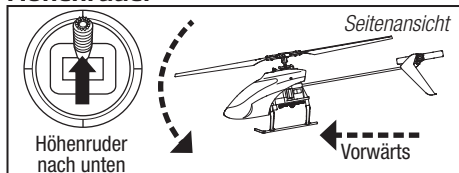
Gasgeber



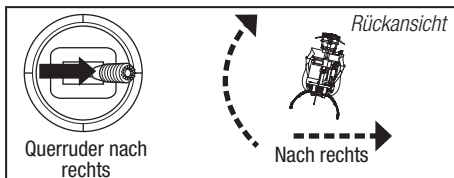
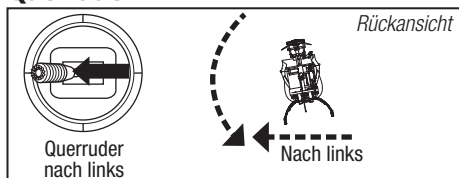
Seitenruder



Höhenruder



Querruder



Die revolutionäre SAFE Technologie von Horizon Hobby (Sensor Assited Flight Envelope) verwendet eine innovative Kombination aus Multi-Achs Sensoren und Software, die es erlauben, die relative Position des Fluggerätes im Raum jederzeit zu bestimmen. Diese dreidimensionale Wahrnehmung schafft eine schräglagenbegrenzte Fluglage die Sie sicherer Fliegen läßt. Dabei werden Roll- und Nickwinkel beeinflusst und geregelt, um die Flugsicherheit zu erhöhen. Und das System kann weit mehr, als die Stabilisierung des Fluggerätes. Die verschiedenen Flugmodi können vom Piloten gemäß seiner Fähigkeiten individuell eingestellt werden.

Panikrettung

- Unverzügliche Rettung in eine sichere Fluglage.
- Stellen Sie für die schnellste Rettung das Gas auf 50% und alle anderen Kontrollen auf Neutral.
- Dieser Mode ist zum sicheren Aufbau Ihrer fliegerischen Fähigkeiten geeignet.

Sollten in einem beliebigen Mode bei dem Fliegen Probleme auftreten, ziehen und halten Sie den Bind- / Panikschalter

Fliegen des 120 S

Bitte beachten Sie lokale Bestimmungen bevor Sie sich einen Platz zum fliegen aussuchen.

Wir empfehlen den Hubschrauber draußen nur bei leichtem Wind oder in einer großen Halle zu fliegen. Vermeiden Sie es grundsätzlich in der Nähe von Häusern, Bäumen oder Leitungen zu fliegen. Meiden Sie bitte auch gut besuchte Plätze wie belebte Parks, Schulhöfe oder Fußballfelder.

Das beste ist es von einer glatten Oberfläche zu starten auf der das Modell etwas rutschen kann ohne umzukippen. Lassen Sie den Hubschrauber einen halben Meter über dem Boden schweben. Das Heck sollte dabei zu ihnen zeigen. Das erleichtert bei den ersten Flügen die Kontrolle. Lassen Sie die Steuerknüppel im Anfänger- oder Fortgeschrittenen-Mode los, richtet sich der Hubschrauber selbständig auf. Betätigen Sie den Panikschalter geschieht das sofort. Sollten Sie die Orientierung verlieren nehmen Sie langsam das Gas weg um sanft zu landen. Versuchen Sie während der ersten Flüge das Modell auf einer Fläche starten und landen zu lassen.

Starten

Stellen Sie das Modell auf eine flache ebene Oberfläche die frei von Hindernissen ist und treten Sie 10 Meter zurück. Erhöhen Sie langsam das Gas bis das Modell ca. einen halben Meter über Grund schwebt.

Die typische Flugzeit mit dem im Lieferumfang enthaltenen Akku beträgt ca. 10 Minuten.

Schwebeflug

Versuchen Sie den Hubschrauber mit kleinen Steuerkorrekturen auf der Stelle schweben zu lassen. Bei wenig Wind sollte das Modell so gut wie keine Steuerkorrekturen benötigen. Wird der Steuerknüppel nach der Eingabe wieder in die Mitte gestellt, sollte sich das Modell selbständig ausleveln. Der Hubschrauber könnte sich durch seine Masseträgheit dabei etwas in die entgegengesetzte Richtung bewegen. Sie können diese Bewegung durch eine Steuerbewegung in die entgegengesetzte Richtung beenden.

Verwenden Sie die Trimmungen auf dem Sender nicht um ein Abdriften zu kompensieren. Sollte der Hubschrauber

SAFE Technologie im Überblick:

- Flugstabilisierung über einen Schalter zuschaltbar.
- Mehrere Modi zur Anpassung von SAFE and die Fähigkeiten des Piloten.

Und das Beste an allem ist, dass SAFE keine weiteren Einstellungen und Vorbereitungen erfordert. Jedes Modell, welches mit SAFE ausgestattet wurde, verfügt über eine angepasste und optimierte Programmierung der Elektronik, um für maximale Sicherheit und maximalen Flugspaß zu sorgen. FLYSAFERC.com

und bewegen die Steuerhebel in die Neutralposition. Die Safetechnologie steuert den Hubschrauber zurück in eine sichere Fluglage, vorausgesetzt er befindet sich in ausreichender Höhe ohne Hindernisse im Flugweg. Lassen Sie den Panikschalter los um die Funktion wieder zu deaktivieren und zu dem Flugmode zurück zu kehren.

einen stationären Schwebeflug nicht halten führen Sie eine Driftkalibrierung durch.

Haben Sie sich mit dem Schwebeflug vertraut gemacht, fliegen Sie den Hubschrauber zu verschiedene Positionen. Das Heck sollte dabei immer ihnen zugewand sein. Lassen Sie den Hubschrauber dabei etwas steigen und sinken und machen sich so mit der Gas /Pitch Funktion weiter vertraut. Haben Sie das gemeistert können Sie beginnen das Heck zu drehen und so den Hubschrauber in verschiedene Richtungen zu fliegen. Sie sollten dabei immer berücksichtigen, dass sich die notwendige Steuereingaben mit dem Hubschrauber bewegen. So bringt der der Steuerbefehl Nicken /Vorwärts unabhängig von der Position des Hubschraubers immer die Nase des Hubschraubers zum nicken.

Niederspannungsabschaltung (LVC)

Die Niederspannungsabschaltung reduziert die Motorleistung wenn die Akkuspannung nachlässt. Wird die Motorleistung weniger und es blinkt die LED auf dem Regler (ESC), landen Sie bitte unverzüglich und laden den Flugakku wieder auf. Bitte beachten Sie, dass die Niederspannungsabschaltung den Akku nicht vor Tiefentladung während der Lagerung schützt.

HINWEIS: Wiederholtes fliegen in die Niederspannungsabschaltung beschädigt den Akku.

Landen

Reduzieren Sie im niedrigen Schwebeflug das Gas um zu landen. Trennen Sie nach der Landung den Akku und nehmen ihn aus dem Hubschrauber um eine Tiefentladung zu vermeiden. Laden Sie den Akku vor dem Einlagern und achten während der Lagerung darauf, dass die Akkuspannung nicht unter 3Volt per Zelle fällt.

Flugmodes

Stabilitätsmode mit geringen Neigewinkel (FMO): Die Empfänger LED leuchtet blau. In diesen Flugmode sind nur geringe Neigewinkel und langsame Fluggeschwindigkeiten möglich. Wird die zyklische (Taumelscheiben) Steuerung losgelassen richtet sich das Modell von selbst wieder auf.

Stabilitätsmode mit großen Neigewinkel (FM1): Die Empfänger LED leuchtet blau. In diesen Flugmode sind größere Neigewinkel und höhere Flugeschwindigkeiten möglich. Wird die zyklische (Taumelscheiben) Steuerung losgelassen richtet sich das Modell von selbst wieder auf.

Agilitätsmode (FM2): Die Empfänger LED leuchtet rot. Der mögliche Neigewinkel ist nicht begrenzt. Wird die zyklische (Taumelscheiben) Steuerung losgelassen richtet sich das Modell nicht von selbst wieder auf.

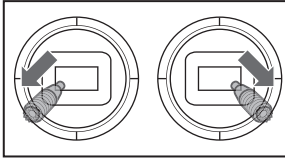
Driftkalibrierung

Der Hubschrauber wurde ab Werk vor der Auslieferung kalibriert. Es ist jedoch möglich, dass ein Crash einen mechanischen Einfluss auf den Rahmen ausgeübt hat der einen Drift zur Folge hat. Folgen Sie in dieser Situation bitte den Anweisungen zur Kalibrierung.

Laden Sie vor der Kalibrierung den Flugakku und stellen sicher, dass der Sender mit dem Hubschrauber nach den Anweisungen gebunden ist.

Kalibrieren des Blade 120S:

1. Bewegen Sie nach der Initialisierung die Sendersteuerhebel wie abgebildet in die unteren äußeren Ecken. Wenn die roten und blauen LEDs der Platine blinken ist der Kalibrierungsvorgang aktiviert.



2. Lassen Sie die Steuerknüppel los.
3. Erhöhen Sie langsam das Gas um den Hubschrauber in einen niedrigen Schwebeflug zu bringen. Die roten und blauen LEDs blinken dabei um anzuzeigen, dass der Kalibrierungsprozess begonnen hat. Halten Sie den Schwebeflug für ca 15 Sekunden und verwenden dabei so wenig Steuerschläge wie möglich um den stationären Schwebeflug durchzuführen.
4. Landen Sie den Hubschrauber in dem Sie langsam vom Gas gehen.
5. Drücken Sie nach der Landung den Panik Binde Button um den Kalibrierungsvorgang abzuschließen. Die LED leuchtet dann blau.

Kontrollen nach dem Flug und Wartung

✓	
Kugelhöpfe- u. Pfannen	Stellen Sie bitte sicher, dass die Pfanne den Kugelkopf hält ihn aber nicht blockiert. Ist der Kugelkopf zu lose, kann er sich während des Fluges lösen und einen Absturz verursachen. Ersetzen Sie verschlissene Kugelhöpfe und Pfannen bevor sie versagen.
Reinigung	Vergewissern Sie sich vor der Reinigung, dass der Akku nicht angeschlossen ist. Entfernen Sie Staub und Schmutzrückstände mit einer weichen Bürste oder einem trockenen fusselfreien Tuch.
Lager	Ersetzen Sie Lager die nicht mehr frei drehen.
Verkabelung	Stellen Sie sicher, dass die Verkabelung keine beweglichen Teile blockiert. Ersetzen Sie beschädigte Verkabelung und lose Stecker.
Befestigungselemente	Stellen Sie sicher, dass keine Schrauben, andere Befestigungselemente oder Stecker lose sind. Ziehen Sie Metallschrauben in Kunststoffteilen nicht zu stark an. Ziehen Sie Schrauben so an, dass die Teile zusammengefügt sind, und drehen Sie die Schrauben danach um eine 1/8-Umdrehung.
Rotorblätter	Stellen Sie sicher dass die Rotorblätter und andere Teile die mit hoher Geschwindigkeit drehen keine Beschädigungen aufweisen wie: Brüche, Risse, Abplatzer oder Kratzer. Ersetzen Sie beschädigte Teile vor dem fliegen. Überprüfen Sie ob beide Rotorblätter gleich korrekt befestigt sind. Wird der Hubschrauber seitlich gehalten sollten sich beide Rotorblätter im Gewicht ausgleichen. Beginnt der Hubschrauber sich etwas zu schütteln könnten sich die Rotorblätter lösen.
Heckrotor	Überprüfen Sie den Heckrotor und Heckausleger auf Beschädigungen und ersetzen die Teile wenn notwendig. Überprüfen Sie dass die Heckrotorabstützungen mit den Kunststoff- und Carbonenden fest sitzen.
Mechanik	Überprüfen Sie den Rahmen und Fahrwerk und ersetzen Teile wenn notwendig. Überprüfen Sie die Hauptrotorwelle auf Spiel und justieren falls notwendig den Stelling. Überprüfen Sie das Zahnflankenspiel und ob sich die Mechanik ohne Beeinträchtigung um 360° drehen kann. Überprüfen Sie alle Kabel und Verbinder und ersetzen diese falls notwendig.

Leitfaden zur Problemlösung

Problem	Mögliche Ursache	Lösung
Hubschrauber ist an die Spektrum DXe gebunden, reagiert aber nicht auf Steuereingaben	Sender befindet sich im 9 Kanal Mode	Verwenden Sie das DXe Programmierkabel um über den PC oder die App den Sender auf den 7 Kanal Mode zu ändern oder laden Sie die den Blade 120S Modellspeicher auf ihren Sender von www.spektrumrc.com

Problem	Mögliche Ursache	Lösung
Hubschrauber reagiert nicht auf Gas	Gas oder Gastrimmung ist zu hoch	Trennen Sie den Flugakku, bringen Sie den Gashebel in die niedrigste Position und stellen die Gastrimmung ein paar Klicks nach unten. Schließen Sie den Flugakku an und lassen sich das Modell initialisieren
	Hubschrauber wurde während der Initialisierung bewegt	Trennen Sie den Flugakku und initialisieren den Hubschrauber erneut. Dabei muß er vollkommen still stehen
Hubschrauber hat nicht genug Leistung oder Flugzeit ist reduziert	Flugakku ist nicht richtig geladen	Laden Sie den Akku vollständig
	Flugakku ist beschädigt	Wechseln Sie den Flugakku und folgen den Anweisungen des Flugakkus
	Temperaturen möglicherweise zu niedrig	Stellen Sie sicher dass der Akku vor Gebrauch auf Zimmertemperatur ist
LED auf dem Empfänger blinkt schnell, Hubschrauber reagiert nicht auf den Sender (während des Bindevorganges)	Sender war bei dem Binden zu nah am Hubschrauber	Schalten Sie den Sender aus und vergrößern Sie die Entfernung zum Flugzeug. Trennen und verbinden den Akku zum Hubschrauber erneut, folgen Sie den Bindenweisungen
	Bindeschalter oder Button wurde beim Einschalten des Senders nicht gedrückt	Schalten Sie den Sender aus und wiederholen den Bindevorgang
	Hubschrauber oder Sender steht zu nah an großen Metallobjekt, Funkquelle oder anderem Sender	Bringen Sie den Hubschrauber oder Sender an einen anderen Ort und binden Sie erneut
LED auf dem Empfänger blinkt schnell, Hubschrauber reagiert nicht auf den Sender (nach dem Bindevorgang)	Bei dem Anschließen des Akkus wurde weniger als 5 Sekunden nach Einschalten des Senders der Flugakku angeschlossen	Lassen Sie den Sender eingeschaltet. Trennen und verbinden Sie den Flugakku erneut
	Der Hubschrauber ist an einen anderen Modellspeicher gebunden (nur Sender mit ModellMatch)	Wählen Sie den richtigen Modellspeicher auf dem Sender. Trennen und verbinden Sie den Akku erneut
	Flug- oder Senderakku nicht ausreichend geladen	Ersetzen oder laden Sie die Akkus
	Hubschrauber oder Sender steht zu nah an großen Metallobjekt, Funkquelle oder anderem Sender	Bringen Sie den Hubschrauber oder Sender an einen anderen Ort und binden Sie erneut
Hubschrauber vibriert oder schüttelt sich im Flug	Beschädigte Rotorblätter, Spindel, Blattgriffe Hauptzahnrad oder Rotorwelle beschädigt	Prüfen Sie die Hauptrotorblätter, Blattgriffe, Hauptzahnrad und Rotorwelle auf Beschädigung, Risse oder fehlende Zähne. Ersetzen Sie beschädigte oder verbogene Teile
	Rotorkopfanklungen nicht einwandfrei verbunden	Schließen Sie die Rotorkopfanklungen an die kurzen Kugelköpfe auf der Taumelscheibe an
Modell läßt sich nicht stabil fliegen Panikfunktion wird nicht gerade ausgeführt. Willkürliche Bewegungen während des Fluges	Vibration	Überprüfen Sie ob der Empfänger korrekt im Hubschrauber befestigt ist. Überprüfen Sie dass keine Kabel an dem Empfänger spannen. Prüfen und wuchten Sie alle drehenden Komponenten. Überprüfen Sie ob die Haupt- oder Hauptrotorwelle beschädigt oder verbogen sind. Prüfen Sie die Mechanik auf gebrochene oder beschädigte Teile und ersetzen falls notwendig
Heck schwingt oder hat zu wenig Leistung	Heckabstützung gelöst, Beschädigter Heckrotor. Zahnflankenspiel Hauptrotor- getriebe, lose Bolzen, Vibrationen	Überprüfen Sie dass die Heckrohrabstützungen fest und richtig ausgerichtet sind. Überprüfen Sie den Heckrotor auf Beschädigung und das alle Befestigungen fest sind. Überprüfen Sie das Zahnflankenspiel und die Leichtgängigkeit der Zahnräder auf volle Umdrehungen. Ersetzen Sie alle verschlissenen oder beschädigten Teile
Abdriften in leichten Wind	Vibration, beschädigte Anlenkungen oder Servo	Unter normalen Bedingungen sollten am Sender keine Trimmeingaben notwendig und die Mittelposition während der Initialisierung gespeichert worden sein. Sollten Sie nach dem Start Trimmeinstellungen für notwendig halten prüfen Sie ob alle drehenden Teile gewichtet sind, Anlenkungen nicht beschädigt und ob die Servos vernünftig arbeiten. Führen Sie die Driftkalibrierung durch

Garantie und Service Informationen

Warnung

Ein ferngesteuertes Modell ist kein Spielzeug. Es kann, wenn es falsch eingesetzt wird, zu erheblichen Verletzungen bei Lebewesen und Beschädigungen an Sachgütern führen. Betreiben Sie Ihr RC-Modell nur auf freien Plätzen und beachten Sie alle Hinweise der Bedienungsanleitung des Modells wie auch der Fernsteuerung.

Garantiezeitraum

Exklusive Garantie Horizon Hobby LLC (Horizon) garantiert, dass das gekaufte Produkt frei von Material- und Montagefehlern ist. Der Garantiezeitraum entspricht den gesetzlichen Bestimmungen des Landes, in dem das Produkt erworben wurde. In Deutschland beträgt der Garantiezeitraum 6 Monate und der Gewährleistungszeitraum 18 Monate nach dem Garantiezeitraum.

Einschränkungen der Garantie

- (a) Die Garantie wird nur dem Erstkäufer (Käufer) gewährt und kann nicht übertragen werden. Der Anspruch des Käufers besteht in der Reparatur oder dem Tausch im Rahmen dieser Garantie. Die Garantie erstreckt sich ausschließlich auf Produkte, die bei einem autorisierten Horizon Händler erworben wurden. Verkäufe an Dritte werden von dieser Garantie nicht gedeckt. Garantieansprüche werden nur angenommen, wenn ein gültiger Kaufnachweis erbracht wird. Horizon behält sich das Recht vor, diese Garantiebestimmungen ohne Ankündigung zu ändern oder zu modifizieren und widerruft dann bestehende Garantiebestimmungen.
- (b) Horizon übernimmt keine Garantie für die Verkaufbarkeit des Produktes, die Fähigkeiten und die Fitness des Verbrauchers für einen bestimmten Einsatzzweck des Produktes. Der Käufer allein ist dafür verantwortlich, zu prüfen, ob das Produkt seinen Fähigkeiten und dem vorgesehenen Einsatzzweck entspricht.
- (c) Ansprüche des Käufers – Es liegt ausschließlich im Ermessen von Horizon, ob das Produkt, bei dem ein Garantiefall festgestellt wurde, repariert oder ausgetauscht wird. Dies sind die exklusiven Ansprüche des Käufers, wenn ein Defekt festgestellt wird.

Horizon behält sich vor, alle eingesetzten Komponenten zu prüfen, die in den Garantiefall einbezogen werden können. Die Entscheidung zur Reparatur oder zum Austausch liegt nur bei Horizon. Die Garantie schließt kosmetische Defekte oder Defekte, hervorgerufen durch höhere Gewalt, falsche Behandlung des Produktes, falscher Einsatz des Produktes, kommerziellen Einsatz oder Modifikationen irgendwelcher Art aus.

Die Garantie schließt Schäden, die durch falschen Einbau, falsche Handhabung, Unfälle, Betrieb, Service oder Reparaturversuche, die nicht von Horizon ausgeführt wurden aus.

Ausgeschlossen sind auch Fälle die bedingt durch (vii) eine Nutzung sind, die gegen geltendes Recht, Gesetze oder Regularien verstoßen haben. Rücksendungen durch den Käufer direkt an Horizon oder eine seiner Landesvertretungen bedürfen der Schriftform.

Schadensbeschränkung

Horizon ist nicht für direkte oder indirekte Folgeschäden, Einkommensausfälle oder kommerzielle Verluste, die in irgendeinem Zusammenhang mit dem Produkt stehen verantwortlich, unabhängig ob ein Anspruch im Zusammenhang mit einem Vertrag, der Garantie oder der Gewährleistung erhoben werden. Horizon wird darüber hinaus keine Ansprüche aus einem Garantiefall akzeptieren, die über den individuellen Wert des Produktes hinaus gehen. Horizon hat keinen Einfluss auf den Einbau, die Verwendung oder die Wartung des Produktes oder etwaiger Produktkombinationen, die vom Käufer gewählt werden. Horizon übernimmt keine Garantie und akzeptiert keine Ansprüche für in der Folge auftretende Verletzungen oder Beschädigungen. Mit der Verwendung und dem Einbau des Produktes akzeptiert der Käufer alle aufgeführten Garantiebestimmungen ohne

Einschränkungen und Vorbehalte.

Wenn Sie als Käufer nicht bereit sind, diese Bestimmungen im Zusammenhang mit der Benutzung des Produktes zu akzeptieren, werden Sie gebeten, das Produkt in unbenutztem Zustand in der Originalverpackung vollständig bei dem Verkäufer zurückzugeben.

Sicherheitshinweise

Dieses ist ein hochwertiges Hobby Produkt und kein Spielzeug. Es muss mit Vorsicht und Umsicht eingesetzt werden und erfordert einige mechanische wie auch mentale Fähigkeiten. Ein Versagen, das Produkt sicher und umsichtig zu betreiben kann zu Verletzungen von Lebewesen und Sachbeschädigungen erheblichen Ausmaßes führen. Dieses Produkt ist nicht für den Gebrauch durch Kinder ohne die Aufsicht eines Erziehungsberechtigten vorgesehen. Die Anleitung enthält Sicherheitshinweise und Vorschriften sowie Hinweise für die Wartung und den Betrieb des Produktes. Es ist unbedingt, diese Hinweise vor der ersten Inbetriebnahme zu lesen und zu verstehen. Nur so kann der falsche Umgang verhindert und Unfälle mit Verletzungen und Beschädigungen vermieden werden.

Fragen, Hilfe und Reparaturen

Ihr lokaler Fachhändler und die Verkaufsstelle können eine Garantiebeurteilung ohne Rücksprache mit Horizon nicht durchführen. Dies gilt auch für Garantiereparaturen. Deshalb kontaktieren Sie in einem solchen Fall den Händler, der sich mit Horizon kurz schließen wird, um eine sachgerechte Entscheidung zu fällen, die Ihnen schnellst möglich hilft.

Wartung und Reparatur

Muss Ihr Produkt gewartet oder repariert werden, wenden Sie sich entweder an Ihren Fachhändler oder direkt an Horizon.

Rücksendungen / Reparaturen werden nur mit einer von Horizon vergebenen RMA Nummer bearbeitet. Diese Nummer erhalten Sie oder Ihr Fachhändler vom technischen Service. Mehr Informationen dazu erhalten Sie im Serviceportal unter www.horizonhobby.de oder telefonisch bei dem technischen Service von Horizon.

Packen Sie das Produkt sorgfältig ein. Beachten Sie, dass der Originalkarton in der Regel nicht ausreicht, um beim Versand nicht beschädigt zu werden. Verwenden Sie einen Paketdienstleister mit einer Tracking Funktion und Versicherung, da Horizon bis zur Annahme keine Verantwortung für den Versand des Produktes übernimmt. Bitte legen Sie dem Produkt einen Kaufbeleg bei, sowie eine ausführliche Fehlerbeschreibung und eine Liste aller eingesendeten Einzelkomponenten. Weiterhin benötigen wir die vollständige Adresse, eine Telefonnummer für Rückfragen, sowie eine Email Adresse.

Garantie und Reparaturen

Garantieanfragen werden nur bearbeitet, wenn ein Originalkaufbeleg von einem autorisierten Fachhändler beiliegt, aus dem der Käufer und das Kaufdatum hervorgeht. Sollte sich ein Garantiefall bestätigen wird das Produkt repariert oder ersetzt. Diese Entscheidung obliegt einzig Horizon Hobby.

Kostenpflichtige Reparaturen

Liegt eine kostenpflichtige Reparatur vor, erstellen wir einen Kostenvoranschlag, den wir Ihrem Händler übermitteln. Die Reparatur wird erst vorgenommen, wenn wir die Freigabe des Händlers erhalten. Der Preis für die Reparatur ist bei Ihrem Händler zu entrichten. Bei kostenpflichtigen Reparaturen werden mindestens 30 Minuten Werkstattzeit und die Rückversandkosten in Rechnung gestellt. Sollten wir nach 90 Tagen keine Einverständniserklärung zur Reparatur vorliegen haben, behalten wir uns vor, das Produkt zu vernichten oder anderweitig zu verwerten.

ACHTUNG: Kostenpflichtige Reparaturen nehmen wir nur für Elektronik und Motoren vor. Mechanische Reparaturen, besonders bei Hubschraubern und RC-Cars sind extrem aufwendig und müssen deshalb vom Käufer selbst vorgenommen werden.

10/15

Garantie und Service Kontaktinformationen

Land des Kauf	Horizon Hobby	Telefon/E-mail Adresse	Adresse
Deutschland	Horizon Technischer Service	service@horizonhobby.de	Christian-Junge-Straße 1 25337 Elmshorn, Deutschland
	Sales: Horizon Hobby GmbH	+49 (0) 4121 2655 100	

Rechtliche Informationen für die Europäische Union

CE EU Konformitätserklärung

RTF:

Horizon LLC erklärt hiermit, dass dieses Produkt konform zu den essentiellen Anforderungen der R&TTE, EMC Direktive, und LVD ist.

BNF:

Horizon LLC erklärt hiermit, dass dieses Produkt konform zu den essentiellen Anforderungen der R&TTE und EMC Direktive ist.

Eine Kopie der Konformitätserklärung ist online unter folgender Adresse verfügbar :
<http://www.horizonhobby.com/content/support-render-compliance>.

Anweisungen zur Entsorgung von Elektro- und Elektronik-Altgeräten für Benutzer in der Europäischen Union



Dieses Produkt darf nicht zusammen mit anderem Abfall entsorgt werden. Stattdessen ist der Benutzer dafür verantwortlich, unbrauchbare Geräte durch Abgabe bei einer speziellen Sammelstelle für das Recycling von unbrauchbaren elektrischen und elektronischen Geräten zu entsorgen. Die separate Sammlung

der Entsorgung hilft, natürliche Ressourcen zu bewahren und sicherzustellen, dass Geräte auf eine Weise wiederverwertet werden, bei der die menschliche Gesundheit und die Umwelt geschützt werden. Weitere Informationen dazu, wo Sie unbrauchbare Geräte zum Recycling abgeben können, erhalten Sie bei lokalen Ämtern, bei der Müllabfuhr für Haushaltsmüll sowie dort, wo Sie das Produkt gekauft haben.

und das Recycling von unbrauchbaren Geräten zum Zeitpunkt

REMARQUE

La totalité des instructions, garanties et autres documents est sujette à modification à la seule discrétion d'Horizon Hobby, LLC. Pour obtenir la documentation à jour, rendez-vous sur le site horizonhobby.com et cliquez sur l'onglet de support de ce produit.

Signification de certains termes spécifiques

Les termes suivants sont utilisés dans l'ensemble du manuel pour indiquer différents niveaux de danger lors de l'utilisation de ce produit :

REMARQUE : procédures qui, si elles ne sont pas suivies correctement, peuvent entraîner des dégâts matériels ET éventuellement un faible risque de blessures.

ATTENTION : procédures qui, si elles ne sont pas suivies correctement, peuvent entraîner des dégâts matériels ET des blessures graves.

AVERTISSEMENT : procédures qui, si elles ne sont pas suivies correctement, peuvent entraîner des dégâts matériels et des blessures graves OU engendrer une probabilité élevée de blessure superficielle.



AVERTISSEMENT : lisez la TOTALITÉ du manuel d'utilisation afin de vous familiariser avec les caractéristiques du produit avant de le faire fonctionner. Une utilisation incorrecte du produit peut entraîner sa détérioration, ainsi que des risques de dégâts matériels, voire de blessures graves.

Ceci est un produit de loisirs sophistiqué. Il doit être manipulé avec prudence et bon sens et requiert des aptitudes de base en mécanique. Toute utilisation irresponsable de ce produit ne respectant pas les principes de sécurité peut provoquer des blessures, entraîner des dégâts matériels et endommager le produit. Ce produit n'est pas destiné à être utilisé par des enfants sans la surveillance directe d'un adulte. N'essayez pas de démonter le produit, de l'utiliser avec des composants incompatibles ou d'en améliorer les performances sans l'accord d'Horizon Hobby, LLC. Ce manuel comporte des instructions relatives à la sécurité, au fonctionnement et à l'entretien. Il est capital de lire et de respecter la totalité des instructions et avertissements du manuel avant l'assemblage, le réglage et l'utilisation, ceci afin de manipuler correctement l'appareil et d'éviter tout dégât matériel ou toute blessure grave.

14 ans et plus. Ceci n'est pas un jouet.

Précautions et directives liées à la sécurité

- Maintenez toujours une distance de sécurité adéquate dans toutes les directions autour de l'appareil pour éviter tout risque de collision ou de blessure. Cet appareil est contrôlé par un signal radio et peut être soumis à des interférences provenant de nombreuses sources hors de votre contrôle. Les interférences peuvent entraîner une perte de contrôle momentanée.
- Utilisez toujours l'appareil dans des espaces dégagés, à l'écart des véhicules, de la circulation et des personnes.
- Respectez toujours scrupuleusement les instructions et avertissements relatifs à l'appareil et à tous les équipements complémentaires optionnels utilisés (chargeurs, packs de batteries rechargeables, etc.).
- Tenez les produits chimiques, les petites pièces et les composants électriques hors de portée des enfants.
- Évitez d'exposer à l'eau tout équipement non conçu et protégé à cet effet. L'humidité endommage les composants électroniques.
- Ne mettez jamais aucune pièce de l'appareil dans votre bouche. Vous vous exposeriez à un risque de blessure grave, voire mortelle.
- N'utilisez jamais l'appareil lorsque les batteries de l'émetteur sont presque vides.
- Gardez toujours l'aéronef en vue et sous contrôle.
- Baissez toujours le manche des gaz lorsque les pales touchent un objet ou le sol.
- Utilisez toujours des batteries complètement chargées.
- N'éteignez jamais l'émetteur lorsque l'aéronef est sous tension.
- Retirez toujours les batteries avant le démontage.
- Nettoyez systématiquement les pièces mobiles.
- Séchez systématiquement les pièces de l'appareil.
- Laissez toujours les pièces refroidir avant de les toucher.
- Retirez systématiquement les batteries après utilisation.
- N'utilisez jamais l'aéronef lorsque les câbles sont endommagés.
- Ne touchez jamais les pièces mobiles.



AVERTISSEMENT CONTRE LES PRODUITS CONTREFAITS : Si vous devez remplacer un élément Spektrum équipant un produit Horizon Hobby, veuillez toujours vous le procurer chez Horizon Hobby ou chez un revendeur agréé afin d'être sûr d'obtenir un produit Spektrum original de haute qualité. Horizon Hobby, LLC décline tout service et garantie concernant la compatibilité et les performances des produits contrefaits ou des produits clamant la compatibilité avec Spektrum ou le DSM.

Table des matières

Contenu de la boîte.....	35	Le mode Panique.....	43
Préparation au premier vol.....	36	Pilotage du 120 S.....	43
Procédure de vol.....	36	Correction des déviations.....	44
Avertissements relatifs à la charge.....	36	Liste de la maintenance et des éléments à inspecter après le vol.....	44
Charge de la batterie.....	36	Guide de résolution des problèmes.....	44
Installation des piles de l'émetteur (RTF).....	37	Vue éclatée.....	46
Réglage de l'émetteur (BNF).....	37	Liste des pièces détachées.....	46
Installation de la batterie.....	40	Garantie et réparations.....	47
Affectation de l'émetteur et du récepteur.....	40	Coordonnées de Garantie et réparations.....	48
Commandes de l'émetteur (RTF).....	41	Information IC.....	48
Compréhension des commandes de vol de base.....	42	Informations de conformité pour l'Union européenne.....	48
SAFE Technology.....	43		

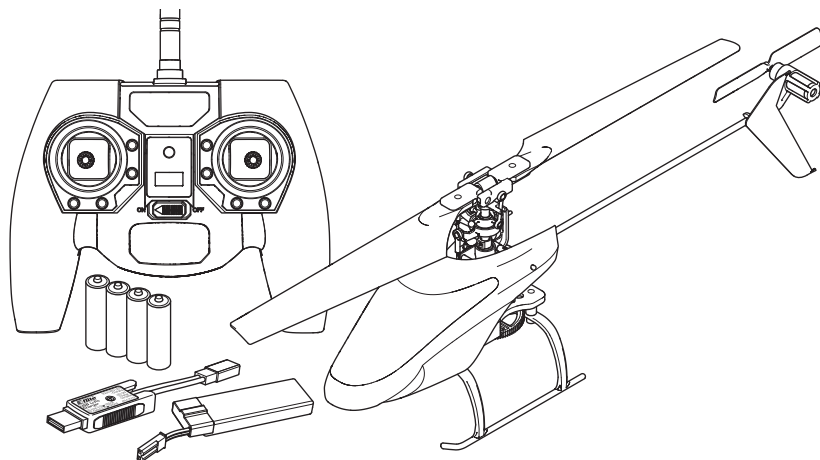
Spécifications

Longueur	320mm	Diamètre du rotor de queue	70mm
Hauteur	108mm	Poids de vol	106 g
Diamètre du rotor principal	330mm		

*Pour enregistrer votre produit en ligne,
veuillez visiter www.bladehelis.com*

Contenu de la boîte

- Blade 120 S
- Batterie Li-Po 1S 3,7V 500mA 25C
- Chargeur USB pour batterie Li-Po 1S
- Emetteur LP6DSM SAFE (Version RTF uniquement)
- 4 piles AA (Version RTF uniquement)



Préparation au premier vol

- Sortez tous les éléments de la boîte et inspectez-les
- Mettez la batterie en charge
- Installez les piles dans l'émetteur (RTF seulement)
- Programmez votre émetteur (Version BNF)
- Installez la batterie totalement chargée dans l'hélicoptère
- Affectez votre émetteur (Version BNF)
- Familiarisez-vous avec les commandes
- Choisissez un endroit approprié pour le vol

Procédure de vol

- Mettez toujours l'émetteur sous tension en premier**
- Branchez la batterie à la prise du contrôleur
- Patientez durant l'initialisation du contrôleur
- Effectuez votre vol
- Faites atterrir le modèle
- Débranchez la batterie du contrôleur
- Mettez toujours l'émetteur hors tension en dernier**

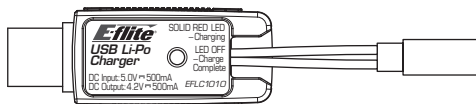
Avertissements relatifs à la charge

⚠ ATTENTION: les instructions et avertissements doivent être scrupuleusement suivis. Une manipulation non appropriée des batteries Li-Po peut provoquer un incendie, des blessures corporelles et/ou des dégâts matériels.

- **NE LAISSEZ JAMAIS LA BATTERIE ET LE CHARGEUR SANS SURVEILLANCE DURANT L'UTILISATION.**
- **NE CHARGEZ JAMAIS LES BATTERIES DURANT LA NUIT.**
- En manipulant, en chargeant ou en utilisant la batterie Li-Po incluse, vous assumez tous les risques associés aux batteries au lithium.
- Si la batterie commence à gonfler ou à se dilater, cessez immédiatement de l'utiliser. Si vous étiez en train de la charger ou de la décharger, interrompez la procédure et déconnectez-la. Continuer à utiliser, charger ou décharger une batterie qui gonfle ou se dilate peut provoquer un incendie.
- Pour obtenir les meilleurs résultats, entreposez toujours la batterie à température ambiante, dans un endroit sec.
- Lorsque vous transportez la batterie ou que vous la stockez temporairement, la température doit toujours être comprise entre 5 et 49 °C.
- Ne stockez en aucun cas la batterie ou l'avion dans une voiture ou à un endroit directement exposé à la lumière du soleil. Laisser dans une voiture chaude, la batterie peut se détériorer ou même prendre feu.

- Chargez toujours les batteries à distance de tout matériau inflammable.
- Faites toujours l'inspection de la batterie avant la charge, et ne chargez jamais des batteries hors d'usage ou endommagées.
- Déconnectez toujours la batterie après la charge, et laissez le chargeur se refroidir entre les charges.
- Surveillez toujours en continu la température du pack de batteries au cours de la charge.
- **UTILISEZ EXCLUSIVEMENT UN CHARGEUR CONÇU SPÉCIFIQUEMENT POUR CHARGER DES BATTERIES LI-PO.** Le fait de charger la batterie avec un chargeur non compatible peut être à l'origine d'un incendie provoquant des blessures corporelles et/ou des dégâts matériels.
- Ne déchargez jamais les cellules Li-Po en dessous de 3 V.
- Ne couvrez jamais les étiquettes d'avertissement avec des bandes auto-agrippantes.
- Ne chargez jamais les batteries sans respecter les niveaux recommandés.
- N'essayez jamais de démonter ou de modifier le chargeur.
- Ne laissez jamais des mineurs charger des packs de batteries.
- Ne chargez jamais les batteries dans des endroits extrêmement chauds ou froids (la plage de températures recommandées se situe entre 5 et 49 °C) et ne les exposez jamais à la lumière directe du soleil.

Charge de la batterie



REMARQUE: Chargez uniquement des batteries froides au toucher et non endommagées. Contrôlez l'état de la batterie pour être sûr qu'elle n'est pas endommagée, gonflée, pliée ou percée.

1. Insérez le chargeur dans un port USB.
2. Connectez la batterie au câble du chargeur en respectant les polarités.
3. Déconnectez toujours la batterie du chargeur immédiatement après la fin de charge.

⚠ ATTENTION : Utilisez uniquement des chargeurs spécifiquement conçus pour charger la batterie Li-Po incluse.

⚠ ATTENTION : Ne dépassez jamais l'intensité de charge recommandée.

Indications de la DEL

Quand la connexion est réussie, la DEL rouge du chargeur s'éclaire fixement, indiquant que la charge a débuté. Il faudra environ 60 minutes pour charger entièrement une batterie 500mA déchargée. La DEL s'éteint quand la charge est terminée.

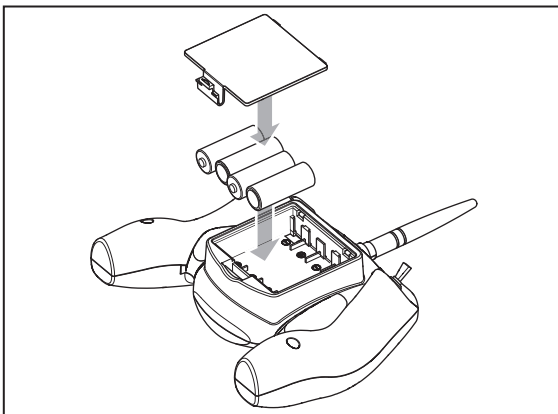
CHARGE: (Rouge fixe)

CHARGE MAX: (OFF)

⚠ ATTENTION: Débranchez immédiatement la batterie une fois que la charge est terminée. Ne laissez jamais une batterie connectée au chargeur.

Installation des piles de l'émetteur (RTF)

Remplacez les piles quand l'émetteur bipé.



Réglage de l'émetteur (BNF)

Programmez votre émetteur avant d'essayer d'effectuer l'affec-tation ou de faire voler l'hélicoptère. On trouvera, ci-après, des valeurs de programmation pour les Spektrum DX6i, DX7s, DX6, DX7, DX8, DX9 et DX18.

Les fichiers de programme des modèles pour les émetteurs Spektrum utilisant l'interface AirWare sont disponibles en ligne sur www.spektrumrc.com.

Votre hélicoptère est également compatible avec les émetteurs Spektrum DXe avec les versions 1.3 ou supérieures du logiciel. Utilisez les instructions ci-dessous pour inverser la voie 6 ou utilisez le câble de programmation approprié et l'application sur votre ordinateur, smartphone ou tablette pour programmer votre DXe. Nous vous recommandons de télécharger les informations de réglage du Blade 120 S avec la DXe sur www.spektrumrc.com.

DXe

Pour utiliser l'émetteur DXe avec le Blade 120 S, la voie 6 doit être inversée.

Pour inverser la voie 6 :

1. Lorsque vous mettez votre DXe sous tension, maintenez les manches gauche et droit dans les coins inférieurs comme sur l'illustration.
2. Mettez les manches au neutre après que l'émetteur aie bipé. La DEL clignotera lentement.
3. Pour sélectionner la voie à inverser, bougez le manche droit vers la gauche ou la droite puis laissez-le revenir au neutre. Bougez le manche vers la droite pour sélectionner la voie suivante. Bougez le manche vers la gauche pour sélectionner la voie précédente. La DEL clignotera rapidement selon la voie sélectionnée, comme indiqué dans le tableau. Sélectionnez la voie 6.
4. Pour inverser la voie sélectionnée, bougez le manche droit vers le haut ou le bas. La DEL changera de couleur indiquant la nouvelle direction de la voie.
La DEL clignotera **Orange** pour indiquer que la voie est **normale**.
La DEL clignotera **Rouge** pour indiquer que la voie est **inversée**.
5. Pour sauvegarder les modifications, mettez votre DXe hors tension.



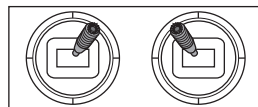
ATTENTION: Lors des mises sous tension suivantes, vérifiez toujours que la direction des gaz est correcte et maintenez une distance de sécurité autour du moteur et des pales. Le non-respect de cette consigne peut entraîner des blessures ou endommager le modèle.

Après avoir inversé la voie 6, affectez l'émetteur et l'hélicoptère normalement.
Les modes de vol sont contrôlés par l'interrupteur Mode de vol.
Le mode Panique est contrôlé par le bouton Affectation(Bind)/Panique/Écolage.

Si vous programmez votre DXe à l'aide de l'application sur votre ordinateur, smartphone ou tablette, assurez-vous que la valeur des "voies émetteur" est réglée par défaut à 7. Si, pour une raison quelconque, cette valeur a été changée à 9, le 120 S sera affecté à votre DXe mais ne répondra pas aux commandes.

Si votre DXe était fourni avec une autre hélicoptère Blade Ready To Fly (RTF), le logiciel de l'émetteur doit être mis à jour à l'aide du câble de programmation approprié et l'application sur votre ordinateur, smartphone ou tablette disponible sur www.spektrumrc.com.

Veuillez noter que les configurations des interrupteurs des DXe incluses avec les Blade 230 S RTF et les Micro AH-64 Apache RTF sont différentes par rapport à la configuration habituelle de la DXe.



Clignotement de la DEL	Voie
1	1-Gaz
2	2-Ailerons
3	3-Profondeur
4	4-Dérive
5	5-Mode de vol
6	6-Panique
7	7-Volets
8	8-Voie Aux.

Une fois affecté, la DEL dans l'hélicoptère devrait s'allumer en bleu pour les modes de vol 0 et 1 (Modes Stabilité, Petits et Grands débattements) et rouge pour le mode de vol 2 (Mode Agilité). Si la DEL s'allume en bleu pour les 3 modes de vol, la voie 6 n'a pas été inversée correctement. Utilisez les instructions ci-dessus pour inverser la voie 6.

DX6i

LISTE DES PARAMETRES

Type de modèle	Acro
Inversion	
Voie	Direction
Gaz	N
Ailerons	N
Profondeur	N
Dérive	N
Gyro	R
Volets	N
Type de Modulation	
AUTO DSMX-ENABLE	
D/R COMBI	
D/R SW	AILE
Chronomètre	
Rebours	5:00
Interrupteur	THR CUT

VALEURS

Course de servo			Double-débâtements et Expo			
Voie	Travel		Voie	Pos. Inter.	D/R	Expo*
Gaz	100/100		Ailerons	0	100	INH
Ailerons	100/100			1	75	INH
Profondeur	100/100		Profondeur	0	100	INH
Dérive	100/100			1	75	INH
Gyro	100/100		Dérive	0	100	INH
Pas	100/100			1	75	INH
VOLET			Mixing			
	VOLET	Profondeur	MIX 1	ACT		
NORM	↑100	0	GEAR > GEAR	ACT		
LAND	↓100	0	RATE	D 0%	U -100%	
			SW	GEAR	TRIM - INH	
			MIX 2	ACT		
			GEAR > GEAR	ACT		
			RATE	D 0%	U +100%	
			SW	ELE D/R	TRIM - INH	

Activation du mode Panique

Interrupteur Gyro: Inter. pos. 0 = Mode Panique Inactif
Inter. pos. 1 = Mode Panique Actif

Fonctionnement des modes de vol

Interrupteur Gear: Pos 0, Interrupteur Elev D/R: 0 ou 1 = Mode Stabilité, Petits débâtements
Interrupteur Gear: Pos 1, Interrupteur Elev D/R: 0 = Mode Stabilité, Grands débâtements
Interrupteur Gear: Pos 1, Interrupteur Elev D/R: 1 = Mode Agilité

DX7s

PARAMETRES SYSTEME

Type de modèle	ACRO
Sélection interr.	
Écolage	Aux 1
Volet	Gear
Les autres	INH

LISTE DES FONCTIONS

Course des servos							
Voie	Course	Inversion	Voie	Course	Inversion		
Gaz	100/100	Normal	Train	100/100	Normal		
Ailerons	100/100	Normal	AX1	100/100	Inversion		
Profondeur	100/100	Normal	AX2	100/100	Normal		
Dérive	100/100	Normal					
Double-débâtements et Expo							
Voie	Interr. Pos (Volet)	D/R	Expo*	Voie	Interr. Pos (Volet)	D/R	Expo*
Ailerons	0	100/100	0	Dérive	0	100/100	0
	1	100/100	0		1	100/100	0
	2	75/75	0		2	75/75	0
Profondeur	0	100/100	0	Chronomètre			
	1	100/100	0	Mode	à rebours		
	2	75/75	0	Durée	5:00 Tone		
Auto-rotation							
Interrupteur		Mix 1					
				Démarrage	Manche des gaz		
				Seuil	25%		

Activation du mode Panique

Bouton Écolage/Affectation
Appuyé = Mode Panique Actif
Lâché = Mode Panique Désactivé

Fonctionnement des modes de vol

Interrupteur Volets: Pos 0 = Mode Stabilité, Petits débâtements
Pos 1 = Mode Stabilité, Grands débâtements
Pos 2 = Mode Agilité

* L'utilisation d'Expo n'est pas nécessaire pour piloter le 120 S. S'il le souhaite, le pilote peut régler ce paramètre pour personnaliser la réactivité de l'hélicoptère par rapport au neutre.

DX8

PARAMETRES SYSTEME

Type de modèle	ACRO
Sélection interr.	
Écolage	Aux 1
Mode de Vol	Gear
Les autres	INH

LISTE DES FONCTIONS

Course des servos							
Voie	Course	Inversion	Voie	Course	Inversion		
Gaz	100/100	Normal	Gear	100/100	Normal		
Ailerons	100/100	Normal	AX1	100/100	Inversion		
Profondeur	100/100	Normal	AX2	100/100	Normal		
Dérive	100/100	Normal					
Double-débattements et Expo							
Voie	Inter. Pos (AIL D/R)	D/R	Expo*	Voie	Inter. Pos (AIL D/R)	D/R	Expo*
Ailerons	0	100/100	0	Dérive	0	100/100	0
	1	100/100	0		1	100/100	0
	2	75/75	0		2	75/75	0
Profondeur	0	100/100	0	Chronomètre			
	1	100/100	0	Mode	à rebours		
	2	75/75	0	Durée	5:00 Tone		
Auto-rotation				Démarrage	Manche des gaz		
Interrupteur		Mix 1		Seuil	25%		

Activation du mode Panique

Bouton Écolage/Affectation

Appuyé = Mode Panique Actif

Lâché = Mode Panique Désactivé

Fonctionnement des modes de vol

Interrupteur Mode de vol: Pos 0 = Mode Stabilité, Petits débattements

Pos 1 = Mode Stabilité, Grands débattements

Pos 2 = Mode Agilité

DX6, DX7 (Gen 2), DX9, DX18

PARAMETRES SYSTEME

Type de modèle	Airplane
Mode de vol	
Inter. 1	Inter. B
Inter. 2	Inhibit
Assignation des voies	
Entrées	
1 Gaz	N/A
2 Ailerons	N/A
3 Profondeur	N/A
4 Dérive	N/A
5 Train	B
6 AX1	I

LISTE DES FONCTIONS

Course des servos						
Voie	Course	Inversion	Voie	Course	Inversion	
Gaz	100/100	Normal	AX1	100/100	Inversion	
Ailerons	100/100	Normal	AX2	100/100	Normal	
Profondeur	100/100	Normal	AX3	100/100	Normal	
Dérive	100/100	Normal	AX4	100/100	Normal	
Train	100/100	Normal				
Double-débattements et Expo						
Voie	Inter. (F) Pos		D/R	Expo*	Auto-rotation	
	DX6	DX7, 9, 18			Position	
Ailerons	0	0	100/100	0	Position	-130
	1	1	100/100	0	Interrupteur	Inter. H
	1	2	75/75	0		0 1
Profondeur	0	0	100/100	0	Chronomètre	
	1	1	100/100	0	Mode	à rebours
	1	2	75/75	0	Durée	5:00
Dérive	0	0	100/100	0	Démarrage	Manche des gaz
	1	1	100/100	0	Seuil	25%
	1	2	75/75	0	Unique	Désactivé

Activation du mode Panique

Bouton Écolage/Affectation

Appuyé = Mode Panique Actif

Lâché = Mode Panique Désactivé

Fonctionnement des modes de vol

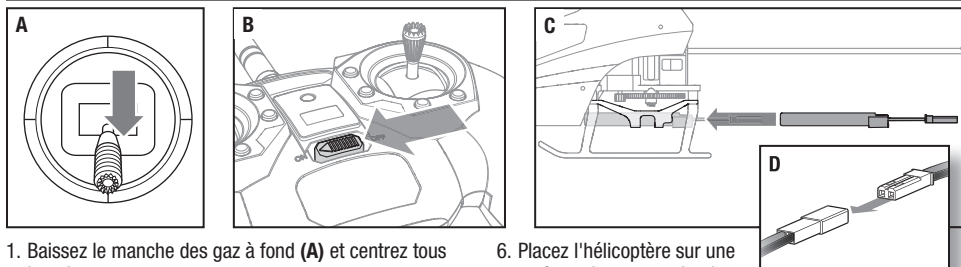
Interrupteur B: Pos 0 = Mode Stabilité, Petits débattements

Pos 1 = Mode Stabilité, Grands débattements

Pos 2 = Mode Agilité

* L'utilisation d'Expo n'est pas nécessaire pour piloter le 120 S. S'il le souhaite, le pilote peut régler ce paramètre pour personnaliser la réactivité de l'hélicoptère par rapport au neutre.

Installation de la batterie



1. Baissez le manche des gaz à fond (A) et centrez tous les trims.
2. Mettez l'interrupteur Mode de vol sur Mode stabilité (FMO).
3. Mettez l'émetteur sous tension (B).
4. Glissez la batterie de vol complètement chargée dans le châssis de l'hélicoptère (C).
5. Branchez la câble d'alimentation de la batterie (D) en respectant la polarité.
6. Placez l'hélicoptère sur une surface plane et gardez-le immobile jusqu'à ce que la DEL rouge passe au bleu fixe indiquant que l'initialisation est réussie. Si la DEL de la carte de contrôle clignote rapidement, référez-vous à la section "Affectation de l'émetteur et du récepteur" pour affecter votre hélicoptère et émetteur.

REMARQUE: Gardez votre hélicoptère complètement immobile jusqu'à ce que la DEL passe au bleu fixe.

Si vous rencontrez des difficultés durant l'initialisation, référez-vous au guide de dépannage situé à la fin du manuel.



ATTENTION: La connexion de la batterie à un contrôleur en inversant la polarité peut endommager le contrôleur, la batterie ou les deux. Les dommages dus à une mauvaise connexion de la batterie ne sont pas couverts par la garantie.



ATTENTION: Débranchez toujours la batterie du modèle quand vous ne l'utilisez pas, afin d'éviter une décharge trop importante. Des batteries déchargées à un voltage inférieur à celui recommandé seront endommagées, elles perdront en performance et pourront entraîner un risque d'incendie durant la charge.

Affectation de l'émetteur et du récepteur

L'émetteur de la version RTF est livré déjà affecté au modèle. Si vous devez de nouveau effectuer l'affectation, suivez les instructions ci-dessous.

Procédure d'affectation de l'émetteur MLP6DSM (RTF)

1. Déconnectez la batterie de l'hélicoptère.
2. Mettez tous les trims au neutre.
3. Mettez l'émetteur hors tension et placez le manche des gaz à la position la plus basse/gaz coupés.
4. Connectez la batterie dans votre hélicoptère. La DEL bleue de la carte de contrôle clignotera au bout de 5 secondes.
5. Lorsque la DEL bleue clignote, poussez et maintenez le manche gauche* lorsque vous mettez votre émetteur sous tension (Vous entendrez un 'clic').
6. Relâchez le manche de gauche. L'émetteur va se mettre à biper et la DEL d'alimentation à clignoter.
7. L'hélicoptère est affecté quand la DEL bleue devient fixe.
8. Débranchez la batterie et mettez l'émetteur hors tension.

* La gâchette peut également être utilisée pour effectuer l'affectation.

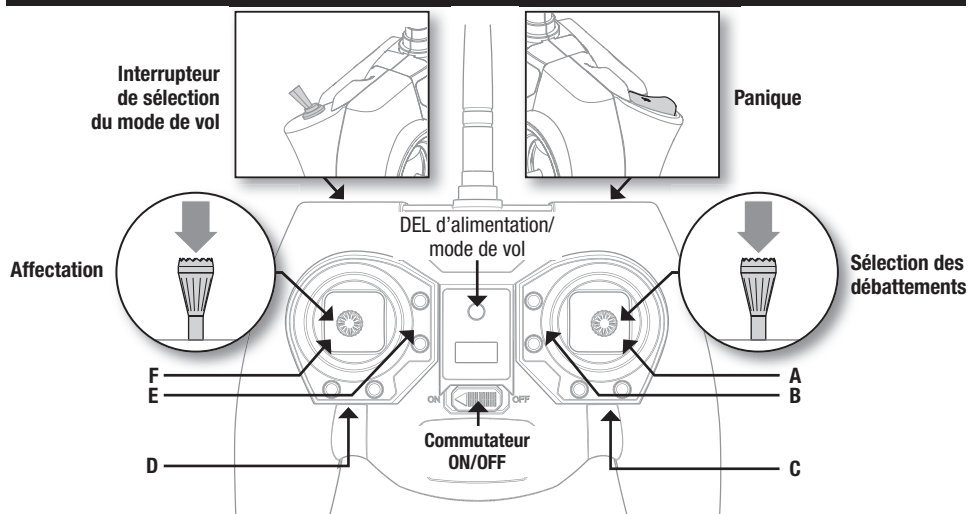
Si vous rencontrez des difficultés, référez-vous au guide de dépannage. Si nécessaire, contactez votre revendeur ou le service technique Horizon Hobby. Pour consulter la liste des émetteurs compatibles, veuillez visiter www.bindnfly.com.

Pour affecter ou ré-affecter votre hélicoptère à l'émetteur de votre choix, veuillez suivre les instructions suivantes.

Processus général d'affectation (BNF)	
1.	Déconnectez la batterie de l'hélicoptère.
2.	Référez-vous au tableau des paramètres de l'émetteur pour configurer votre émetteur.
3.	Baissez le manche des gaz à fond. Mettez tous les trims de votre émetteur au neutre.
4.	Mettez l'émetteur hors tension et placez tous les interrupteurs en position 0. Placez le manche des gaz en position basse.
5.	Connectez la batterie à la carte de contrôle. La DEL de la carte de contrôle va se mettre à clignoter, indiquant l'entrée en mode affectation.
6.	Placez l'émetteur en mode affectation en le mettant sous tension.
7.	Relâchez le bouton/interrupteur d'affectation (BIND) au bout de 2 à 3 secondes. L'affectation sera terminée quand la DEL du récepteur de l'hélicoptère s'allumera fixement.
8.	Déconnectez la batterie de l'hélicoptère et mettez l'émetteur hors tension.

ATTENTION : Si vous utilisez un émetteur Futaba avec un module Spektrum DSM2, il vous faudra inverser la voie de la manette des gaz et effectuer à nouveau l'affectation. Référez-vous au manuel d'utilisation du module Spektrum pour les instructions d'affectation et de sécurité failsafe. Référez-vous au manuel d'utilisation de l'émetteur Futaba pour les instructions d'inversion de voie de la manette des gaz.

Commandes de l'émetteur (RTF)



Lorsqu'ils sont enfoncés, les boutons de trim font un bruit qui augmente ou diminue en intensité à chaque pression. La position intermédiaire ou neutre du trim utilise une tonalité de milieu de gamme. Une série de bips sonores indique la fin de la plage de contrôle.

Sensibilité des commandes

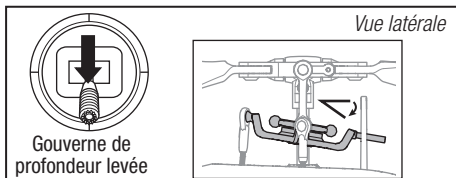
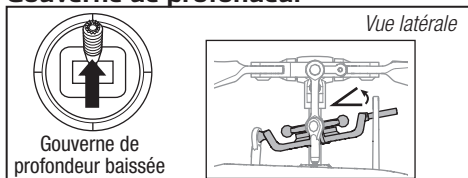
La sensibilité des commandes peut être changée en effectuant une pression sur le manche droit. La DEL de l'émetteur s'allume fixement quand la sensibilité est élevée (par défaut) ou clignote quand la sensibilité est plus faible.

	A	B	C	D	E	F
Mode 1	Aileron (<i>Gauche/Droit</i>) Gaz (<i>Haut/Bas</i>)	Trim des gaz	Trim d'aileron	Trim de dérive	Trim de profondeur	Gouverne de direction (<i>Gauche/Droit</i>) Profondeur (<i>Haut/Bas</i>)
Mode 2	Aileron (<i>Gauche/Droit</i>) Profondeur (<i>Haut/Bas</i>)	Trim de profondeur	Trim d'aileron	Trim de dérive	Trim des gaz	Gouverne de direction (<i>Gauche/Droit</i>) Gaz (<i>Haut/Bas</i>)

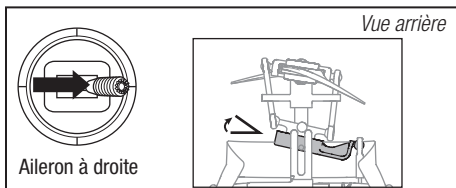
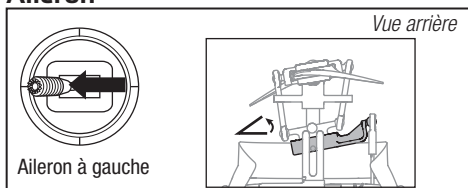
Test des commandes

Testez les commandes avant d'effectuer le premier vol pour contrôler les mouvements des servos, des tringleries et autres éléments. Assurez-vous que le manche des gaz est en position basse quand vous effectuez ce test.

Gouverne de profondeur



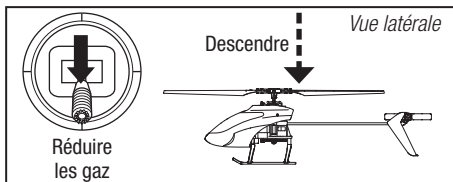
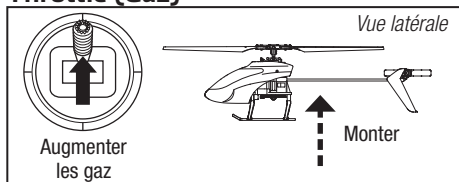
Aileron



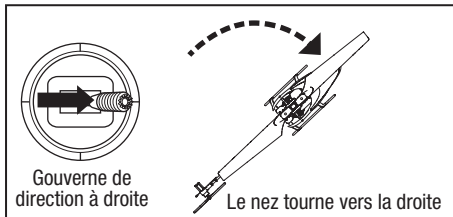
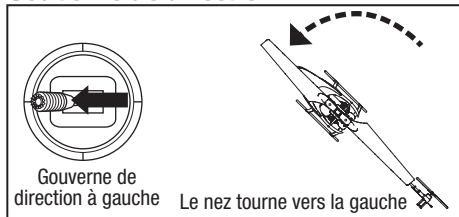
Compréhension des commandes de vol de base

Si vous n'avez pas encore bien assimilé les commandes de votre 120 S, prenez quelques minutes pour vous familiariser avec elles avant de tenter votre premier vol.

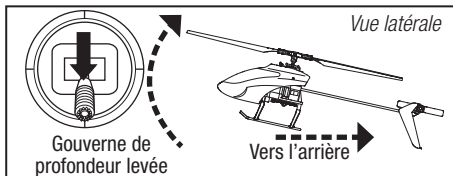
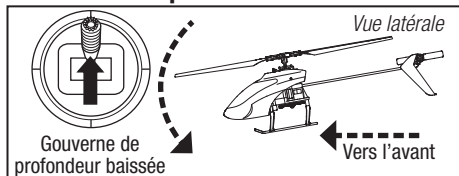
Throttle (Gaz)



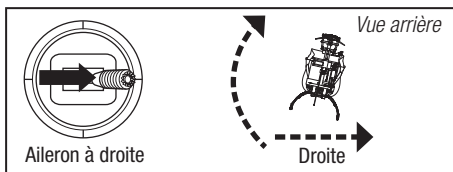
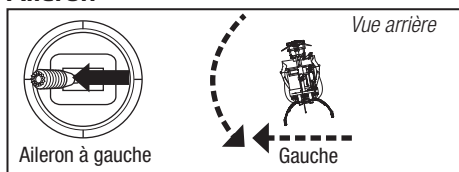
Gouverne de direction



Gouverne de profondeur



Aileron



La technologie révolutionnaire SAFE (Système d'entraînement assisté par capteurs) utilise la combinaison de capteurs sur différents axes et un logiciel permettant au modèle de connaître sa position par rapport à l'horizon. Cette reconnaissance de l'espace est utilisée pour générer un domaine de vol sécurisé en limitant les angles afin de piloter en sécurité. Au-delà de la stabilité, cette protection offre de multiples modes au choix du pilote pour développer son niveau de pilotage avec un degré élevé de sécurité tout en conservant toujours les sensations et la réponse.

Le mode Panique

- Remplacement immédiat dans une attitude de vol sûre.
- Placez les gaz à 50% et toutes les autres commandes au neutre pour un sauvetage plus rapide.
- Ce mode est destiné à rassurer les pilotes afin qu'ils puissent développer leur niveau de pilotage.

Pilotage du 120 S

Consultez les réglementations locales avant de choisir votre zone de vol.

Nous vous recommandons de faire voler votre appareil en extérieur par vent calme (5KM/H ou moins) ou à l'intérieur d'un grand gymnase. Volez toujours à l'écart des maisons, des arbres, des lignes électriques et autres constructions. Vous devrez également éviter de voler au dessus des zones fréquentées comme les parcs publics, les cours d'écoles et les terrains de sport.

Nous vous conseillons de décoller depuis une surface lisse afin de permettre la glisse du modèle sans risque de basculement. Maintenez l'hélicoptère à environ 60cm au dessus du sol. Gardez la queue de l'hélicoptère pointée vers vous durant les premiers vols afin de vous familiariser avec les commandes. L'hélicoptère se stabilise automatiquement quand vous relâchez les manches en Mode Stabilité, l'activation du Mode panique permet une remise à plat rapide. Si vous êtes désorienté, baissez lentement le manche des gaz pour atterrir doucement. Effectuez uniquement du vol stationnaire et entraînez-vous aux décollages et atterrissages durant les premiers vols.

Décollage

Placez le modèle sur une surface plane et lisse libre de tout obstacle et éloignez-vous d'une distance de 10m. Augmentez progressivement les gaz jusqu'à décoller à une hauteur de 60cm au dessus du sol.

L'autonomie en vol avec la batterie fournie est d'environ 10 minutes.

Stationnaire

Effectuez de petites corrections aux manches pour essayer de maintenir l'hélicoptère dans une position précise. Si vous volez par vent très faible, le modèle ne nécessitera pas de correction aux manches. Après avoir actionné le manche du cyclique, puis l'avoir relâché, le modèle doit se stabiliser seul. Le modèle peut continuer sa glissade à cause de l'inertie. Déplacez le manche du cyclique dans la direction opposée pour arrêter le mouvement.

N'utilisez pas les trims de votre émetteur pour éliminer les déviations. Si l'hélicoptère ne reste pas au stationnaire en conditions calmes, effectuez une correction des déviations. Une fois que vous maîtriserez le vol stationnaire, vous pourrez essayer les translations en gardant toujours la queue de l'hé-

licoptère pointée vers vous.

- Une protection du domaine de vol qui s'active avec un simple basculement d'un interrupteur.
 - Des modes différents pour adapter instantanément la technologie SAFE à votre niveau de pilotage.
- Par dessus tout, la technologie SAFE, bien que très sophistiquée, ne nécessite aucune opération pour en profiter. Chaque appareil équipé de la technologie SAFE est livré prêt à l'emploi et est optimisé pour offrir la meilleure expérience de vol possible. FlySAFERC.com

Dans n'importe quel mode de vol, en cas de détresse, tirez et maintenez l'interrupteur Bind/Panic en relâchant les commandes au neutre. La technologie SAFE re-stabilisera l'hélicoptère, si l'altitude est suffisante et que la zone ne comporte pas d'obstacles. Relâchez l'interrupteur pour quitter le mode panique et revenir au mode de vol courant.

coptère pointée vers vous. Vous pouvez également augmenter ou diminuer l'altitude en agissant sur le manche des gaz. Une fois que vous maîtriserez ces déplacements, vous pourrez essayer de voler avec la queue de l'hélicoptère dans différentes orientations. Il est important de garder à l'esprit que les commandes pivotent en suivant l'orientation de l'hélicoptère et de toujours vous baser en suivant l'orientation du nez de l'hélicoptère. Par exemple, le manche du cyclique vers l'avant fera toujours descendre le nez de l'hélicoptère.

Coupe basse tension (LVC)

Le système LVC diminue la puissance aux moteurs quand la tension de la batterie chute. Quand la puissance diminue, la DEL rouge du contrôleur se met à clignoter, atterrissez immédiatement et rechargez la batterie.

Le LVC n'empêche pas la décharge de la batterie durant son stockage.

REMARQUE: une utilisation répétée jusqu'à l'enclenchement du LVC peut endommager la batterie.

Atterrissage

Pour atterrir, baissez lentement le manche des gaz depuis un vol stationnaire à faible altitude. Débranchez la batterie immédiatement après le vol afin d'éviter une décharge trop importante de la batterie. Chargez complètement la batterie avant de procéder à son stockage. Contrôlez que la tension de la batterie ne descend pas sous 3V par élément durant son stockage.

Mode de Vol

Mode Stabilité, Petits débattements (FM0): La DEL du récepteur est bleue fixe. Ce mode de vol vous apporte une angle d'inclinaison et vitesse de vol réduits. Le modèle se stabilisera automatiquement lorsque vous lâchez le manche du cyclique.

Mode Stabilité, Grands débattements (FM1): La DEL du récepteur est bleue fixe. Ce mode de vol vous apporte une angle d'inclinaison et vitesse de vol plus élevés. Le modèle se stabilisera automatiquement lorsque vous lâchez le manche du cyclique.

Mode Agilité (FM2): La DEL du récepteur est rouge fixe. L'angle d'inclinaison n'est pas limité. L'hélicoptère se stabilisera automatiquement lorsque vous lâchez le manche du cyclique.

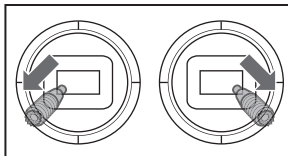
Correction des déviations

L'hélicoptère a été calibré en usine avant l'expédition, mais il est possible qu'un crash entraîne une déformation de la structure et donc une légère déviation en mode Stabilité. Dans cette situation, veuillez suivre la procédure de calibration.

Avant de commencer la procédure de calibration, assurez-vous que les batteries sont complètement chargées et que l'hélicoptère et l'émetteur ont bien été affectés selon les instructions d'affectation.

Pour calibrer votre Blade 120 S :

- Après l'initialisation, mettez les manches de l'émetteur dans les coins inférieurs extérieurs comme sur l'illustration.



Lorsque les DELs rouge et bleue de la carte de contrôle deviennent fixes, le mode calibration est activé.

- Relâchez les manches.
- Poussez doucement les gaz pour mettre votre hélicoptère en stationnaire bas. Les DELs rouge et bleue clignotent continuellement indiquant que la procédure de calibration a commencé. Maintenez l'hélicoptère en stationnaire pendant environ 15 secondes en touchant au minimum les commandes.
- Posez votre hélicoptère et baissez complètement les gaz.
- Après l'atterrissage, appuyez sur le bouton Affectation/ Panique pour terminer la procédure de calibration. La DEL sera bleue fixe.

Liste de la maintenance et des éléments à inspecter après le vol

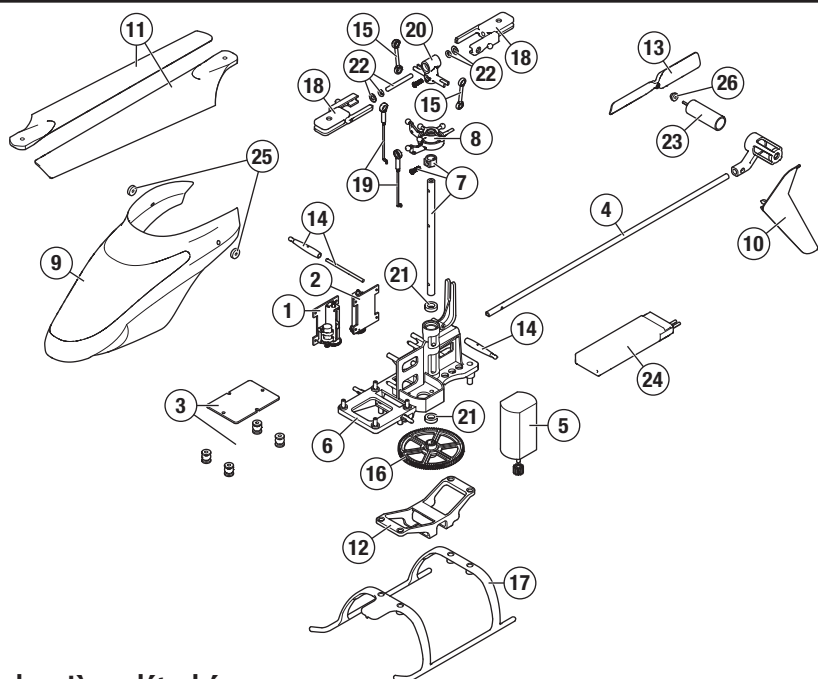
✓	
Rotules	Contrôlez que les chapes sont correctement reliées au rotules, et qu'il n'y a pas de point dur. Le rotule ne doit pas avoir un jeu excessif, le déboîtement de la rotule durant le vol peut entraîner un crash. Remplacez les rotules usées avant leur rupture.
Nettoyage	Assurez-vous que la batterie n'est pas connectée avant d'entreprendre le nettoyage. A l'aide d'une brosse douce ou d'un chiffon sec non-pelucheux, enlevez la poussière et les débris.
Roulements	Remplacez les roulements quand vous remarquez un frottement durant leur rotation.
Câblage	Assurez-vous que les câbles ne bloquent pas de pièces en mouvement. Remplacez tout câble endommagé et tout connecteur devenu lâche.
Pièces servant à la fixation	Assurez-vous de l'absence de toute vis, bride ou connecteur desserré. Ne serrez pas excessivement des vis métalliques dans des pièces en plastique. Serrez les vis de façon à ce que les pièces soient parfaitement jointives, et ne donnez ensuite qu'1/8ème de tour supplémentaire.
Rotors	Contrôlez l'état des pales et des autres éléments ayant une vitesse de rotation élevée. En cas de présence de fissures, de bavures ou de rayures, veuillez remplacer les éléments concernés avant d'effectuer un nouveau vol. Contrôlez que les 2 pales principales sont serrées à leurs pieds de pales respectifs avec une tension équivalente. Quand vous inclinez l'hélicoptère, les pales ne doivent pas pivoter sous leur propre masse. Elles ne doivent pivoter que si l'hélicoptère est légèrement secoué.
Anticouple	Contrôlez l'état du rotor d'anticouple, le remplacer si nécessaire. Contrôlez l'état de la poutre, la remplacer si nécessaire.
Mécanique	Inspectez l'état du châssis et du train d'atterrissage, remplacer si nécessaire. Contrôlez le jeu vertical de l'axe principal et ajustez la position de la bague de fixation si nécessaire. Contrôlez l'entre-dent de la couronne, qu'il n'existe pas de point dur sur toute sa rotation. Inspectez l'état de tous les câbles, remplacer si nécessaire.

Guide de résolution des problèmes

Problème	Cause possible	Solution
L'hélicoptère est affecté à un émetteur Spektrum DXe mais ne répond pas aux commandes	L'émetteur est en mode 9 voies	A l'aide du câble de programmation DXe approprié et de l'application ordinateur, smartphone ou tablette, passez votre émetteur en mode 7 voies ou téléchargez le guide de réglage du Blade 120 S pour votre émetteur sur www.spektrumrc.com
L'hélicoptère n'accélère pas	La manette des gaz et/ou le trim des gaz sont poussés à fond	Réinitialisez les commandes en plaçant la manette des gaz et le trim des gaz à leur position la plus basse
	L'hélicoptère s'est déplacé lors de l'initialisation	Débranchez la batterie de vol et réinitialisez l'hélicoptère tout en empêchant l'hélicoptère de se déplacer

Problème	Cause possible	Solution
L'hélicoptère ne vole pas très longtemps ou manque de puissance	La charge de la batterie de vol est faible	Rechargez complètement la batterie de vol
	La batterie de vol est endommagée	Remplacez la batterie de vol et suivez les instructions correspondantes
	Il fait peut-être trop froid pour voler	Assurez-vous que la batterie est chaude (température ambiante) avant de l'utiliser
La DEL du module cliquote rapidement et l'appareil ne répond pas aux commandes (durant l'affectation)	L'émetteur est trop près de l'appareil durant l'affectation	Mettez l'émetteur hors tension. Éloignez-le de l'appareil. Débranchez puis rebranchez la batterie. Suivez les instructions d'affectation
	Le bouton ou l'interrupteur d'affectation n'a pas été maintenu durant la mise sous tension de l'émetteur	Mettez l'émetteur hors tension et répétez le processus d'affectation
	L'appareil ou l'émetteur se trouve trop proche d'un grand objet métallique, d'un réseau sans fil ou d'un autre émetteur	Placez l'avion et l'émetteur à un autre emplacement et retentez l'affectation
La DEL du module cliquote rapidement et le l'hélicoptère ne répond pas aux commandes (après l'affectation)	Moins de 5 secondes se sont écoulées entre l'allumage de l'émetteur et la connexion de la batterie de vol sur l'hélicoptère	Laissez l'émetteur sous tension. Débranchez puis rebranchez la batterie de l'hélicoptère
	L'hélicoptère est affecté à une mémoire de modèle différente (radios ModelMatch uniquement)	Sélectionnez la mémoire de modèle correcte sur l'émetteur. Débranchez puis rebranchez la batterie de l'hélicoptère
	Charge de la batterie ou des piles de l'émetteur trop faible	Remplacez ou chargez la batterie ou les piles de l'émetteur
	L'appareil ou l'émetteur se trouve trop proche d'un grand objet métallique, d'un réseau sans fil ou d'un autre émetteur	Placez l'avion et l'émetteur à un autre emplacement et retentez la connexion
L'hélicoptère vibre ou tremble en vol	Pale, cône, pied de pale, dent d'engrenage endommagé ou arbre principal fissuré	Contrôlez l'état des pales, cône, pieds de pale, dents d'engrenage et arbre principal à la recherche de fissures ou cassures. Remplacez les pièces endommagées
	Biellettes de tête mal connectées	Connectez les biellettes de tête avec les rotules du plateau cyclique
Le modèle ne reste pas à plat/ ne se remet pas à plat en mode Panique. Mouvements aléatoires en vol	Vibration	Assurez-vous que le récepteur est correctement fixé à l'hélicoptère. Vérifiez qu'aucun câble n'entre en contact avec le récepteur. Inspectez et équilibrez tous les composants en rotation. Contrôlez que l'arbre principal et l'adaptateur d'anticouple ne sont pas endommagés ou tordus. Inspectez toute la mécanique à la recherche d'éléments endommagés ou cassés, remplacez les pièces qui le sont
Oscillation de la queue ou performances insuffisantes	Fixations de poutre desserrées, rotor d'anticouple endommagé, couronne endommagée, vis desserrées, vibration	Contrôlez que les vis de fixation de la poutre sont correctement serrées. Contrôlez également que les renforts de poutre sont correctement installés. Inspectez l'état du rotor d'anticouple. Contrôlez l'état et l'ajustement de la couronne principale, il ne doit pas y avoir de point dur sur toute sa rotation. Remplacez les éléments usés ou endommagés
Glisse par vent calme	Vibration, tringlerie ou servo endommagé	Durant une utilisation normale, les trims de l'émetteur ne nécessitent pas d'ajustement et les neutres sont enregistrés durant l'initialisation. Si vous considérez que des ajustements des trims sont à effectuer après le décollage, contrôlez l'équilibrage de toutes les pièces en rotation, assurez-vous que les tringleries ne sont pas endommagées et contrôlez que les servos sont en bon état de fonctionnement. Effectuez la procédure de Correction de déviations
Glisse dans le vent	Normal	Le modèle va glisser, poussé par le vent, mais va rester à plat durant le vol. Maintenez simplement le manche du cyclique dans la position nécessaire pour maintenir l'hélicoptère en stationnaire. Le modèle doit s'incliner dans le vent pour rester en stationnaire, si le modèle reste à plat, il glissera poussé par le vent
Vibration importante	Déséquilibre d'une pièce en rotation	Contrôlez l'état de l'axe de rotor principal, du rotor d'anticouple, des pales principales, du châssis et de l'adaptateur d'anticouple, remplacez les éléments endommagés. Les vibrations doivent être réduites pour assurer le fonctionnement optimal du Mode panique et de l'auto-stabilisation

Vue éclatée



Liste des pièces détachées

Réf. pièce	Description	Réf. pièce	Description	
	BLH4100	120 S RTF	15 BLH3115	Biellette de tête
	BLH4180	120 S BNF	16 BLH3106	Couronne principale
1	SPMSH2029L	Servo Linéaire, câble 35mm	17 BLH3709	Train d'atterrissage
2	SPMSH2030L	Servo Linéaire, câble 60mm	18 BLH3114	Pieds de pales principales avec visserie
3	BLH4101	Carte de contrôle	19 BLH3108	Tringleries de servos avec rotules (2)
4	BLH4102	Poutre de queue	20 BLH3112	Moyeu de tête de rotor principal
5	BLH4103	Moteur principal	21 BLH3128	Roulement 4 x 7 x 2
6	BLH4104	Châssis	22 BLH3113	Set d'axes de pieds de pales
7	BLH4105	Axe principal avec visserie	23 BLH3129	Moteur d'anticouple
8	BLH4106	Plateau cyclique	24 EFLB5001S25	Batterie Li-Po 1S 3,7V 500mA 25C, prise JST
9	BLH4107	Bulle	25 BLH3121	Caoutchoucs de fixation de bulle (8)
10	BLH4108	Dérive	26 BLH3125	Manchon de protection moteur anticouple
11	BLH4111	Pales principales	BLH4109	120 S - Set de vis
12	BLH4112	Support batterie	EFLRMLP6	Emetteur MLP6DSM 6 voies SAFE (RTF seulement)
13	BLH3117	Anticouple	EFLC1010	Chargeur Li-Po USB 1S 500mA, JST
14	BLH3705	Supports de bulle		

Garantie et réparations

Durée de la garantie

Garantie exclusive - Horizon Hobby, LLC (Horizon) garantit que le Produit acheté (le « Produit ») sera exempt de défauts matériels et de fabrication à sa date d'achat par l'Acheteur. La durée de garantie correspond aux dispositions légales du pays dans lequel le produit a été acquis. La durée de garantie est de 6 mois et la durée d'obligation de garantie de 18 mois à l'expiration de la période de garantie.

Limitations de la garantie

- La garantie est donnée à l'acheteur initial (« Acheteur ») et n'est pas transférable. Le recours de l'acheteur consiste en la réparation ou en l'échange dans le cadre de cette garantie. La garantie s'applique uniquement aux produits achetés chez un revendeur Horizon agréé. Les ventes faites à des tiers ne sont pas couvertes par cette garantie. Les revendications en garantie seront acceptées sur fourniture d'une preuve d'achat valide uniquement. Horizon se réserve le droit de modifier les dispositions de la présente garantie sans avis préalable et révoque alors les dispositions de garantie existantes.
- Horizon n'endosse aucune garantie quant à la vendabilité du produit ou aux capacités et à la forme physique de l'utilisateur pour une utilisation donnée du produit. Il est de la seule responsabilité de l'acheteur de vérifier si le produit correspond à ses capacités et à l'utilisation prévue.
- Recours de l'acheteur – Il est de la seule discrétion d'Horizon de déterminer si un produit présentant un cas de garantie sera réparé ou échangé. Ce sont là les recours exclusifs de l'acheteur lorsqu'un défaut est constaté.

Horizon se réserve la possibilité de vérifier tous les éléments utilisés et susceptibles d'être intégrés dans le cas de garantie. La décision de réparer ou de remplacer le produit est du seul ressort d'Horizon. La garantie exclut les défauts esthétiques ou les défauts provoqués par des cas de force majeure, une manipulation incorrecte du produit, une utilisation incorrecte ou commerciale de ce dernier ou encore des modifications de quelque nature qu'elles soient.

La garantie ne couvre pas les dégâts résultant d'un montage ou d'une manipulation erronés, d'accidents ou encore du fonctionnement ainsi que des tentatives d'entretien ou de réparation non effectuées par Horizon. Les retours effectués par le fait de l'acheteur directement à Horizon ou à l'une de ses représentations nationales requièrent une confirmation écrite.

Limitation des dommages

Horizon ne saurait être tenu pour responsable de dommages conséquents directs ou indirects, de pertes de revenus ou de pertes commerciales, liés de quelque manière que ce soit au produit et ce, indépendamment du fait qu'un recours puisse être formulé en relation avec un contrat, la garantie ou l'obligation de garantie. Par ailleurs, Horizon n'acceptera pas de recours issus d'un cas de garantie lorsque ces recours dépassent la valeur unitaire du produit. Horizon n'exerce aucune influence sur le montage, l'utilisation ou la maintenance du produit ou sur d'éventuelles combinaisons de produits choisies par l'acheteur. Horizon ne prend en compte aucune garantie et n'accepte aucun recours pour les blessures ou les dommages pouvant en résulter. Horizon Hobby ne saurait être tenu responsable d'une utilisation ne respectant pas les lois, les règles ou réglementations en vigueur.

En utilisant et en montant le produit, l'acheteur accepte sans restriction ni réserve toutes les dispositions relatives à la garantie figurant dans le présent document. Si vous n'êtes pas prêt, en tant qu'acheteur, à accepter ces dispositions en relation avec l'utilisation du produit, nous vous demandons de restituer au vendeur le produit complet, non utilisé et dans son emballage d'origine.

Indications relatives à la sécurité

Ceci est un produit de loisirs perfectionné et non un jouet. Il doit être utilisé avec précaution et bon sens et nécessite quelques aptitudes mécaniques ainsi que mentales. L'incapacité à utiliser le produit de manière sûre et raisonnable peut provoquer des blessures et des dégâts matériels conséquents. Ce produit n'est pas destiné à être utilisé par des enfants sans la surveillance par un tuteur. La notice d'utilisation contient des indications relatives à la sécurité ainsi que des indications concernant la maintenance et le fonctionnement du produit. Il est absolument indispensable de lire et de comprendre ces indications avant la première mise en service. C'est uniquement ainsi qu'il sera possible d'éviter une manipulation erronée et des accidents entraînant des blessures et des dégâts. Horizon Hobby ne saurait être tenu responsable d'une utilisation ne respectant pas les lois, les règles ou réglementations en vigueur.

Questions, assistance et réparations

Votre revendeur spécialisé local et le point de vente ne peuvent effectuer une estimation d'éligibilité à l'application de la garantie sans avoir consulté Horizon. Cela vaut également pour les réparations sous garantie. Vous voudrez bien, dans un tel cas, contacter le revendeur qui conviendra avec Horizon d'une décision appropriée, destinée à vous aider le plus rapidement possible.

Maintenance et réparation

Si votre produit doit faire l'objet d'une maintenance ou d'une réparation, adressez-vous soit à votre revendeur spécialisé, soit directement à Horizon. Emballez le produit soigneusement. Veuillez noter que le carton d'emballage d'origine ne suffit pas, en règle générale, à protéger le produit des dégâts pouvant survenir pendant le transport. Faites appel à un service de messagerie proposant une fonction de suivi et une assurance, puisque Horizon ne prend aucune responsabilité pour l'expédition du produit jusqu'à sa réception acceptée. Veuillez joindre une preuve d'achat, une description détaillée des défauts ainsi qu'une liste de tous les éléments distincts envoyés. Nous avons de plus besoin d'une adresse complète, d'un numéro de téléphone (pour demander des renseignements) et d'une adresse de courriel.

Garantie et réparations

Les demandes en garantie seront uniquement traitées en présence d'une preuve d'achat originale émanant d'un revendeur spécialisé agréé, sur laquelle figurent le nom de l'acheteur ainsi que la date d'achat. Si le cas de garantie est confirmé, le produit sera réparé. Cette décision relève uniquement d'Horizon Hobby.

Réparations payantes

En cas de réparation payante, nous établissons un devis que nous transmettons à votre revendeur. La réparation sera seulement effectuée après que nous ayons reçu la confirmation du revendeur. Le prix de la réparation devra être acquitté au revendeur. Pour les réparations payantes, nous facturons au minimum 30 minutes de travail en atelier ainsi que les frais de réexpédition. En l'absence d'un accord pour la réparation dans un délai de 90 jours, nous nous réservons la possibilité de détruire le produit ou de l'utiliser autrement.

ATTENTION: Nous n'effectuons de réparations payantes que pour les composants électroniques et les moteurs. Les réparations touchant à la mécanique, en particulier celles des hélicoptères et des voitures radiocommandées, sont extrêmement coûteuses et doivent par conséquent être effectuées par l'acheteur lui-même.

10/15

Coordonnées de Garantie et réparations

Pays d'achat	Horizon Hobby	Numéro de téléphone/E-mail	Adresse
France	Horizon Hobby SAS	infofrance@horizonhobby.com +33 (0) 1 60 18 34 90	11 Rue Georges Charpak 77127 Lieusaint, France

Information IC

Le présent appareil est conforme aux CNR d'Industrie Canada applicables aux appareils radio exempts de licence. L'exploitation est autorisée aux deux conditions suivantes : (1) l'appareil ne doit pas produire de brouillage,

et (2) l'utilisateur de l'appareil doit accepter tout brouillage radioélectrique subi, même si le brouillage est susceptible d'en compromettre le fonctionnement.

Informations de conformité pour l'Union européenne



Déclaration de conformité de l'Union européenne :

RTF:

Horizon Hobby, LLC déclare par la présente que ce produit est en conformité avec les exigences essentielles et les autres dispositions de la RTTE Directive CEM, et Directive DBT.

BNF:

Horizon Hobby, LLC déclare par la présente que ce produit est en conformité avec les exigences essentielles et les autres dispositions de la RTTE Directive et CEM Directive.

Une copie de la déclaration de conformité européenne est disponible à :
<http://www.horizonhobby.com/content/support-render-compliance>.

Instructions relatives à l'élimination des D3E pour les utilisateurs résidant dans l'Union européenne



Ce produit ne doit pas être éliminé avec d'autres déchets. Il relève de la responsabilité de l'utilisateur d'éliminer les équipements mis au rebut en les remettant à un point de collecte désigné en vue du recyclage des déchets d'équipements électriques et électroniques.

La collecte et le recyclage séparés de vos équipements au moment de leur élimination aideront à pré-

server les ressources naturelles et à garantir que les déchets seront recyclés de manière à protéger la santé humaine et l'environnement. Pour plus d'informations quant aux lieux de dépôt de vos équipements mis au rebut en vue du recyclage, veuillez contacter votre mairie, votre service de traitement des ordures ménagères ou le magasin dans lequel vous avez acheté le produit.

AVVISO

Tutte le istruzioni, le garanzie e gli altri documenti pertinenti sono soggetti a cambiamenti a totale discrezione di Horizon Hobby, LLC. Per una documentazione aggiornata sul prodotto, visitare il sito horizonhobby.com e fare clic sulla sezione Support del prodotto.

Convenzioni terminologiche

Nella documentazione relativa al prodotto vengono utilizzati i seguenti termini per indicare i vari livelli di pericolo potenziale durante l'uso del prodotto:

AVVISO: indica procedure che, se non debitamente seguite, possono determinare il rischio di danni alle cose E il rischio minimo o nullo di lesioni alle persone.

ATTENZIONE: indica procedure che, se non debitamente seguite, determinano il rischio di danni alle cose E di gravi lesioni alle persone.

AVVERTENZA: indica procedure che, se non debitamente seguite, determinano il rischio di danni alle cose, danni laterali e gravi lesioni alle persone O il rischio elevato di lesioni superficiali alle persone.



AVVERTENZA: leggere TUTTO il manuale di istruzioni e familiarizzare con le caratteristiche del prodotto prima di farlo funzionare. Un uso improprio del prodotto può causare danni al prodotto stesso e alle altre cose e gravi lesioni alle persone.

Questo aeromodello è un prodotto sofisticato per appassionati di modellismo. Deve essere azionato in maniera attenta e responsabile e richiede alcune conoscenze basilari di meccanica. L'uso improprio o irresponsabile di questo prodotto può causare lesioni alle persone e danni al prodotto stesso o alle altre cose. Questo prodotto non deve essere utilizzato dai bambini senza la diretta supervisione di un adulto. Non tentare in nessun caso di smontare il prodotto, di utilizzarlo con componenti non compatibili o di potenziarlo senza previa approvazione di Horizon Hobby, LLC. Questo manuale contiene le istruzioni per la sicurezza, l'uso e la manutenzione del prodotto. È fondamentale leggere e seguire tutte le istruzioni e le avvertenze del manuale prima di montare, impostare o utilizzare il prodotto, al fine di utilizzarlo correttamente e di evitare di causare danni alle cose o gravi lesioni alle persone.

Almeno 14 anni. Non è un giocattolo.

Ulteriori precauzioni per la sicurezza e avvertenze

- Mantenere sempre un perimetro di sicurezza intorno al modello per evitare collisioni o ferite. Questo modello funziona con comandi radio soggetti alle interferenze di altri dispositivi non controllabili dall'utente. Le interferenze possono provocare una momentanea perdita di controllo.
- Utilizzare sempre l'aeromodello in spazi aperti liberi da veicoli, traffico o persone.
- Seguire sempre scrupolosamente le istruzioni e le avvertenze relative all'aeromodello e a tutti gli accessori (caricabatterie, pacchi batterie ricaricabili ecc.).
- Tenere sempre le sostanze chimiche, i componenti di piccole dimensioni e i componenti elettrici fuori dalla portata dei bambini.
- Evitare sempre il contatto con l'acqua di tutti i dispositivi che non sono stati specificatamente progettati per funzionare in acqua. L'umidità danneggia le parti elettroniche.
- Non mettere in bocca alcun componente dell'aeromodello poiché potrebbe causare lesioni gravi o persino la morte.
- Non far volare l'aeromodello se le batterie del trasmettitore sono poco cariche.
- Tenere sempre l'aeromodello a vista e sotto controllo.
- Abbassare sempre completamente lo stick del motore, quando le eliche rischiano di toccare un oggetto o il suolo.
- Utilizzare sempre batterie completamente cariche.
- Tenere sempre acceso il trasmettitore mentre l'aeromodello è alimentato.
- Rimuovere sempre le batterie prima dello smontaggio.
- Tenere sempre pulite le parti mobili.
- Tenere sempre asciutte le parti.
- Lasciare sempre raffreddare le parti dopo l'uso prima di toccarle.
- Rimuovere sempre le batterie dopo l'uso.
- Non far volare mai l'aeromodello con il cablaggio danneggiato.
- Non toccare mai le parti mobili.



ATTENZIONE AI PRODOTTI CONTRAFFATTI: Quando è necessario sostituire componenti Spektrum che si trovano fra i prodotti Horizon Hobby, bisogna sempre acquistarli da un rivenditore autorizzato Horizon per essere certi della loro qualità. Horizon Hobby LLC declina ogni responsabilità, servizio tecnico e garanzia per l'uso di materiale non originale o che dichiara di essere compatibile con la tecnologia DSM o con Spektrum.

Indice

Contenuto del Kit	51	SAFE Tecnologia	59
Preparazione al primo volo.....	52	Funzione Antipanico	59
Lista dei controlli prevolo	52	In volo con il 120 S	59
Avvertenze e istruzioni per le batterie	52	Procedura di calibrazione	60
Carica della batteria	52	Controlli e manutenzione dopo il volo.....	60
Installazione delle pile nella trasmittente (RTF)	53	Risoluzione dei Problemi.....	60
Controllo trasmettitore (BNF).....	53	Vista esplosa	62
Installazione batteria di bordo	56	Elenco delle parti	62
Connessione (binding) fra trasmettitore e ricevitore	56	Garanzia.....	63
Controlli della trasmittente RTF	57	Garanzia e Assistenza - Informazioni per i contatti.....	64
Informazioni sui comandi di volo principali	58	Informazioni sulla conformità per l'Unione Europea.....	64

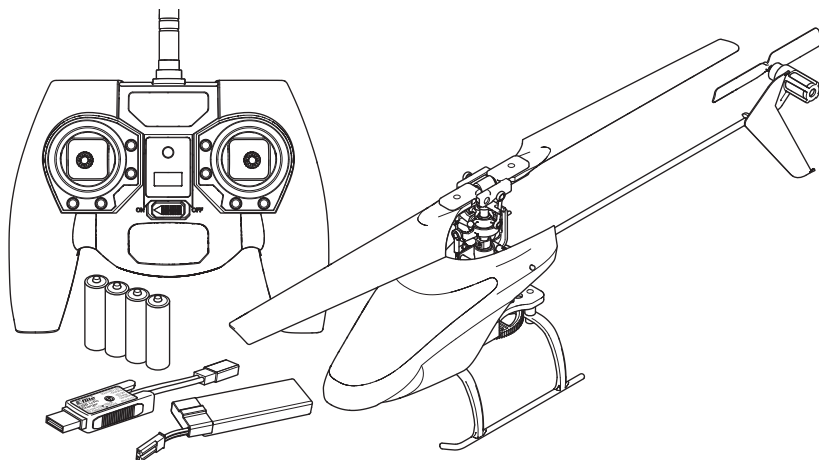
Specifiche

Lunghezza	320mm	Diametro del rotore di coda	70mm
Altezza	108mm	Peso in volo	106 g
Diametro del rotore principale	330mm		

Per registrare il prodotto online,
visitare il sito www.bladehelis.com

Contenuto del Kit

- Blade 120 S
- Batteria LiPo 500mAh 1S 3,7V 25C
- Caricatore LiPo 1S USB
- LP6DSM trasmettitore (solo per RTF)
- 4 AA pile (solo per RTF)



Preparazione al primo volo

- Togliere il contenuto dalla scatola e controllarlo
- Iniziare a caricare la batteria di volo
- Installare le batterie nella trasmittente (solo RTF)
- Programmare il trasmettitore computerizzato (solo BNF)
- Montare la batteria sul l'elicottero (dopo averla ben caricata)
- Connettere (bind) il vostro trasmettitore (solo BNF)
- Familiarizzare con i comandi
- Trovare un'area adatta al volo

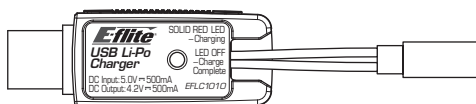
Avvertenze e istruzioni per le batterie



ATTENZIONE: seguire attentamente le istruzioni e le avvertenze allegate. L'uso improprio delle batterie Li-Po può provocare incendi, causare lesioni alle persone e/o danni alle cose.

- **NON LASCIARE MAI L'ALIMENTATORE, IL CARICABATTERIE E LA BATTERIA INCUSTODITI DURANTE L'USO.**
- **NON CARICARE MAI LE BATTERIE DURANTE LA NOTTE SENZA SUPERVISIONE.**
- L'installazione, la carica e l'uso della batteria Li-Po inclusa comportano l'assunzione da parte dell'utente di tutti i rischi associati alle batterie al litio.
- Se durante la carica si forma un rigonfiamento della batteria, interrompere immediatamente l'uso. Se si sta caricando o scaricando la batteria, scollegarla e ricollegarla. Il tentativo di utilizzare, caricare o scaricare una batteria che ha iniziato a gonfiarsi può dare origine a incendi.
- Per una conservazione ottimale, collocare sempre la batteria in un luogo asciutto a temperatura ambiente.
- Durante il trasporto o la conservazione temporanea, la temperatura della batteria deve essere sempre compresa tra 5 e 49 °C. Non conservare la batteria o l'aeromodello in auto o sotto la luce diretta del sole. Se conservata all'interno di un'auto surriscaldata, la batteria potrebbe danneggiarsi o addirittura incendiarsi.

Carica della batteria



AVVISO: Caricare le batterie solo se sono fredde al tatto e non sono danneggiate. Verificare che le batterie non siano danneggiate, ad esempio gonfie, piegate, rotte o forate.

1. Inserire il caricatore in una porta USB.
2. Collegare correttamente la batteria al cavo del caricatore.
3. Scollegare la batteria dal caricatore appena la carica è terminata.



ATTENZIONE: usare solo caricatori adatti per le batterie LiPo altrimenti si potrebbero causare incendi o danni.



ATTENZIONE: non superare la corrente di carica consigliata.

Lista dei controlli prevolo

- Accendere sempre prima il trasmettitore**
- Collegare la batteria di volo al cavo proveniente dall'unità di ESC
- Attendere che l'unità di ESC si inizializzi e si armi
- Far volare il modello
- Far atterrare il modello
- Scollegare la batteria di bordo dall'unità ESC
- Spegnere sempre il trasmettitore per ultimo**

- Caricare sempre le batterie lontano da materiali infiammabili.
- Controllare sempre la batteria prima di caricarla.
- Utilizzare solo caricabatterie specificatamente progettati per caricare batterie Li-Po. La carica effettuata con caricabatterie non compatibili può provocare incendi, causare lesioni alle persone e/o danni materiali.
- Controllare costantemente la temperatura del pacco batterie durante la carica.
- Scollegare sempre la batteria dopo la carica e lasciare raffreddare il caricabatterie tra una carica e l'altra.
- Le celle Li-Po non devono essere mai scaricate sotto i 3 V in condizioni di carico.
- Non coprire mai le etichette di avvertenza con ganci o bandelle.
- Non caricare mai le batterie a livelli al di fuori di quelli raccomandati.
- Non caricare mai batterie danneggiate.
- Non tentare mai di smontare o alterare il caricabatterie.
- Non lasciare mai caricare i pacchi batterie a minori.
- Non caricare mai le batterie in ambienti estremamente caldi o freddi (la temperatura consigliata è compresa tra 5 e 49 °C) né collocarle sotto la luce diretta del sole.

Indicazioni dei LED

Fatto il collegamento alla batteria, il LED sul caricatore diventa rosso fisso, indicando che la carica è iniziata. Per caricare una batteria da 500mAh completamente scarica (non sovrascaricata) ci vogliono circa 60 minuti. Quando la carica è terminata il LED si spegne.

IN CARICA (rosso fisso)

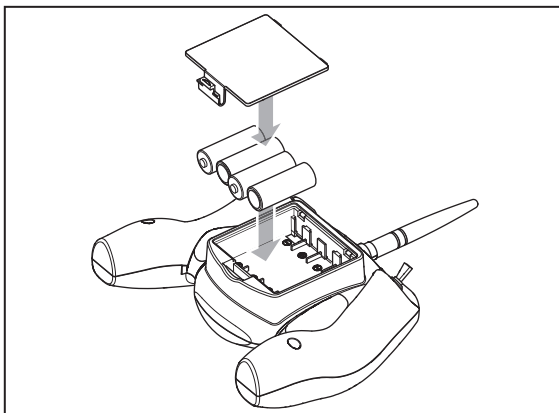
CARICA TERMINATA (spento)



ATTENZIONE: Appena terminata la carica staccare la batteria. Non lasciare mai la batteria collegata al caricatore.

Installazione delle pile nella trasmittente (RTF)

Quando il trasmettitore emette un beep, sostituire le sue pile.



Controllo trasmettitore (BNF)

Programmare il trasmettitore prima di tentare il binding o far volare l'elicottero. Di seguito sono illustrati i valori dei parametri di programmazione del trasmettitore per i modelli Spektrum DX6i, DX7s, DX6, DX7, DX8, DX9 e DX18.

È anche possibile scaricare online i file del modello Spektrum per trasmettitori AirWare dal sito della Spektrum Community.

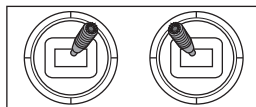
Il vostro elicottero è anche compatibile con la trasmittente Spektrum DXe dalla versione del software 1.3 in su. Seguire le istruzioni riportate sotto per invertire il canale 6 o usare il rispettivo cavo di programmazione e l'applicazione per PC o dispositivi mobili per programmare la DXe. Consigliamo di scaricare il setup della DXe per il Blade 120 S su www.spektrumrc.com.

DXe

Per poter usare la trasmittente DXe con il Blade 120 S, bisogna invertire il canale 6.

Per invertire il canale 6:

1. Durante l'accensione della DXe, tenere lo stick sinistro e destro nell'angolo interno in alto, come illustrato.
2. La trasmittente emetterà dei beep, di seguito muovere gli stick di nuovo al centro. Il LED lampeggerà lentamente.
3. Per selezionare il canale da invertire, muovere lo stick destro a destra o sinistra e lasciare che si centri di nuovo. Muovere lo stick a destra per selezionare il prossimo canale. Muovere lo stick a sinistra per selezionare il canale precedente. Il LED lampeggerà velocemente in corrispondenza al canale selezionato, come indicato nella tabella accanto. Selezionare canale 6.
4. Per invertire il canale selezionato, muovere lo stick destro su o giù. Il LED cambierà colore per indicare la nuova direzione del canale.
Il LED lampeggerà **Arancione** per indicare che il canale è **normale**.
Il LED lampeggerà **Rosso** per indicare che il canale è **invertito**.
5. Per salvare le modifiche, spegnere la DXe.



Lampeggi LED	Canale
1	1-Motore
2	2-Alettoni
3	3-Elevatore
4	4-Timone
5	5-Modalità di volo
6	6 Antipanico
7	7- Flaps
8	8-Canale ausiliario



ATTENZIONE: Alla prossima accensione, verificare sempre che la direzione del canale motore sia corretta e stare lontani dal motore e dalle eliche. Il mancato rispetto di questa misura di cautela, potrebbe portare a lesioni o danneggiare il prodotto.

Dopo l'avvenuta inversione del canale 6, connettere la trasmittente e l'elicottero normalmente.

Le modalità di volo possono essere controllate con l'interruttore Flight Mode.

La modalità antipanico è controllata dal tasto Bind/Panic/Trainer.

Una volta connesso, il LED all'interno dell'elicottero dovrebbe accendersi blu per le modalità di volo 0 e 1 (Stability, angolo basso e angolo alto) e rosso per la modalità di volo 2 (Agility). Se il LED dovesse accendersi blu fisso in tutte le tre modalità di volo, allora il canale 6 non risulta invertito correttamente. Seguire le istruzioni sopra riportate per invertire il canale 6.

DX6i

SETUP LIST	
Tipo di modello	Acro
REVERSE	
Channel	Direzione
THRO	N
AILE	N
ELEV	N
RUDD	N
GEAR	R
FLAP	N
Tipo di Modulazione	
AUTO DSMX-ENABLE	
D/R COMBI	
D/R SW	AILE
Timer	
Tempo a scalare	5:00
Interruttore	THR CUT

ADJUST LIST			
TRAVEL ADJ		D/R & Expo	
Canale	Corsa	Canale	Sw Pos
THRO	100/100	AILE	0
AILE	100/100		1
ELEV	100/100	ELEV	0
RUDD	100/100		1
GEAR	100/100	RUDD	0
PITC	100/100		1
FLAPS			Mixing
	FLAP	ELEV	MIX 1
NORM	↑100	0	GEAR > GEAR
LAND	↓100	0	RATE
			SW
			MIX 2
			GEAR > GEAR
			RATE
			SW

Funzionamento modalità Antipanico

Gyro Interr. Sw Pos 0 = Modalità Antipanico Off

Sw Pos 1 = Modalità Antipanico On

Funzionamento modalità di volo

Interruttore Gear: Pos 0, Interruttore Elev D/R: 0 or 1 = Modalità stability, incidenza ridotta

Interruttore Gear: Pos 1, Interruttore Elev D/R: 0 = Modalità stability, incidenza elevata

Interruttore Gear: Pos 1, Interruttore Elev D/R: 1 = Modalità agility

DX7s

SYSTEM SETUP	
Tipo di modello	ACRO
SW Select	
Trainer	Aux 1
Flap	Gear
Altrui	INH

FUNCTION LIST			
Servo Setup			
Canale	Corsa	Reverse	
THR	100/100	Normal	
AIL	100/100	Normal	
ELE	100/100	Normal	
RUD	100/100	Normal	
D/R & Expo			
Canale	Pos. Interr. (FLAP)	D/R	Expo*
AILE	0	100/100	0
	1	100/100	0
	2	75/75	0
ELEV	0	100/100	0
	1	100/100	0
	2	75/75	0
Throttle Cut			
Interruttore		Mix 1	
D/R & Expo			
Canale	Pos. Interr. (FLAP)	D/R	Expo*
RUDD	0	100/100	0
	1	100/100	0
	2	75/75	0
Timer			
Mode	Conteggio a scendere		
Time	5:00 Tono		
Start	Motore in avanti		
Pos	25%		

Funzionamento della modalità Antipanico

Tasto Trainer/Bind

Premuto = Antipanico On

Rilasciato = Antipanico Off

Funzionamento modalità di volo

Interruttore FLAP: Pos 0 = Modalità stability, incidenza ridotta

Pos 1 = Modalità stability, incidenza elevata

Pos 2 = Modalità agility

* Non è necessario usare "Expo" per volare il 120 S con successo. Il pilota può regolare quest'impostazione per determinare la sensibilità dell'elicottero, se desiderato.

DX8

SYSTEM SETUP		FUNCTION LIST							
Tipo di modello	ACRO	Servo Setup							
SW Select		Canale	Corsa	Reverse	Canale	Corsa	Reverse		
Trainer	Aux 1	THR	100/100	Normal	GER	100/100	Normal		
F Mode	Gear	AIL	100/100	Normal	AX1	100/100	Inverso		
Altrui	INH	ELE	100/100	Normal	AX2	100/100	Normal		
		RUD	100/100	Normal					
D/R & Expo		Canale	Pos. Interr. (AIL D/R)	D/R	Expo*	D/R & Expo			
		AILE	0	100/100	0	RUDD	0	100/100	0
			1	100/100	0		1	100/100	0
			2	75/75	0		2	75/75	0
		ELEV	0	100/100	0	Timer			
			1	100/100	0	Mode	Conteggio a scendere		
		2	75/75	0	Time	5:00 Tono			
Throttle Cut		Interruttore		Mix 1	Start		Motore in avanti		
					Pos	25%			

Funzionamento della modalità Antipanico

Tasto Trainer/Bind

Premuto = Antipanico On

Rilasciato = Antipanico Off

Funzionamento modalità di volo

Interruttore F MODE: Pos 0 = Modalità stability, incidenza ridotta

Pos 1 = Modalità stability, incidenza elevata

Pos 2 = Modalità agility

DX6, DX7 (Gen 2), DX9, DX18

SYSTEM SETUP		FUNCTION LIST					
Tipo di modello	Avion	Servo Setup					
F-Mode Setup		Canale	Corsa	Reverse	Canale	Corsa	Reverse
Interr. 1	Interr. B	THR	100/100	Normal	AX1	100/100	Inverso
Interr. 2	Désactivé	AIL	100/100	Normal	AX2	100/100	Normal
Assegnazione Canale		ELE	100/100	Normal	AX3	100/100	Normal
Input Canale		RUD	100/100	Normal	AX4	100/100	Normal
1 Throttle	N/A	GER	100/100	Normal	Throttle Cut		
2 Aileron	N/A	D/R & Expo			Position	-130	
3 Elevator	N/A	Canale	Pos. Interr. (F)	D/R	Expo*	Interruttore	Interr. H
4 Rudder	N/A						
5 Gear	B	0	0	100/100	0	0	1
6 AUX 1	I	1	1	100/100	0		
		1	2	75/75	0	Timer	
		0	0	100/100	0	Mode	Conteggio a scendere
		0	1	100/100	0	Time	5:00
		1	2	75/75	0	Start	Motore in avanti
		0	0	100/100	0	Over	25%
		0	1	100/100	0	One Time	Inibito
		1	2	75/75	0		

Funzionamento modalità Antipanico

Tasto Bind/I

Premuto = Antipanico On

Rilasciato = Antipanico Off

Funzionamento modalità di volo

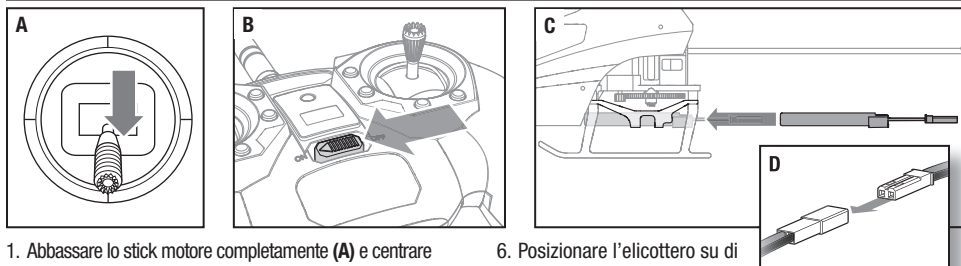
Interruttore B: Pos 0 = Modalità stability, incidenza ridotta

Pos 1 = Modalità stability, incidenza elevata

Pos 2 = Modalità agility

* Non è necessario usare "Expo" per volare il 120 S con successo. Il pilota può regolare quest'impostazione per determinare la sensibilità dell'elicottero, se desiderato.

Installazione batteria di bordo



1. Abbassare lo stick motore completamente (A) e centrare tutti i trim.
2. Spostare l'interruttore Flight Mode alla modalità Stability (FM0).
3. Accendere (ON) la trasmittente (B).
4. Inserire la batteria di volo completamente nel suo supporto all'interno del telaio dell'elicottero (C).
5. Connettere il cavo d'alimentazione alla batteria (D), tenendo conto della polarità corretta.



ATTENZIONE: se si collega la batteria all'ESC con la polarità invertita, si causerà un danno all'ESC, alla batteria o ad entrambi. I danni causati dal collegamento invertito della batteria non sono coperti dalla garanzia.

6. Posizionare l'elicottero su di una superficie piana e non toccarlo fino a quando il LED rosso sarà cambiato a blu fisso, indicando che l'inizializzazione è completa. Se il LED della scheda principale lampeggia velocemente, fare riferimento alla sezione del manuale per la Connessione (Binding) per connettere l'elicottero con la trasmittente.

AVVISO: Non lasciare che l'elicottero si muova prima che il LED della scheda principale si sia acceso blu fisso.

Se ci fossero problemi durante l'inizializzazione, si può fare riferimento alla Guida per la risoluzione dei problemi che si trova in fondo a questo manuale.



ATTENZIONE: per evitare che le batterie si sovra scarichino, bisogna sempre scollegarle dal velivolo quando non si vola. Le batterie scaricate ad una tensione inferiore a quella stabilita, si danneggiano, riducendo le loro prestazioni con la possibilità di causare un incendio quando vengono caricate.

Connessione (binding) fra trasmettitore e ricevitore

Il trasmettitore RTF viene fornito già connesso al modello. Se serve rifare la connessione, si prega di osservare le seguenti indicazioni.

Procedura di connessione MLP6DSM (RTF)

1. Scollegare la batteria di bordo dall'elicottero.
2. Centrare tutti i trim.
3. Spegnerne il trasmettitore e abbassare completamente lo stick del motore.
4. Connettere la batteria di volo con l'elicottero. Il LED blu della scheda principale inizierà a lampeggiare dopo 5 secondi.
5. Quando il LED blu inizierà a lampeggiare, premere e tenere giù lo stick sinistro* e accendere contemporaneamente la trasmittente (si sentirà un "click").
6. Rilasciare lo stick di sinistra. Il trasmettitore emette un beep e il suo LED lampeggia.
7. L'elicottero è connesso quando il LED blu sull'unità di controllo resta acceso con luce fissa.
8. Scollegare la batteria di bordo e spegnere il trasmettitore.

* Questo interruttore di attivazione si può usare anche nella procedura di connessione (binding).

Se si incontrassero problemi, osservare le istruzioni per il "binding" e far riferimento alla guida per la soluzione dei problemi per ulteriori istruzioni. Se necessario contattare il servizio assistenza Horizon. Per un elenco completo dei trasmettitori DSM compatibili visitare il sito www.bindnfly.com.

Per connettere o riconnettere l'elicottero al trasmettitore scelto, si prega di osservare le indicazioni seguenti:

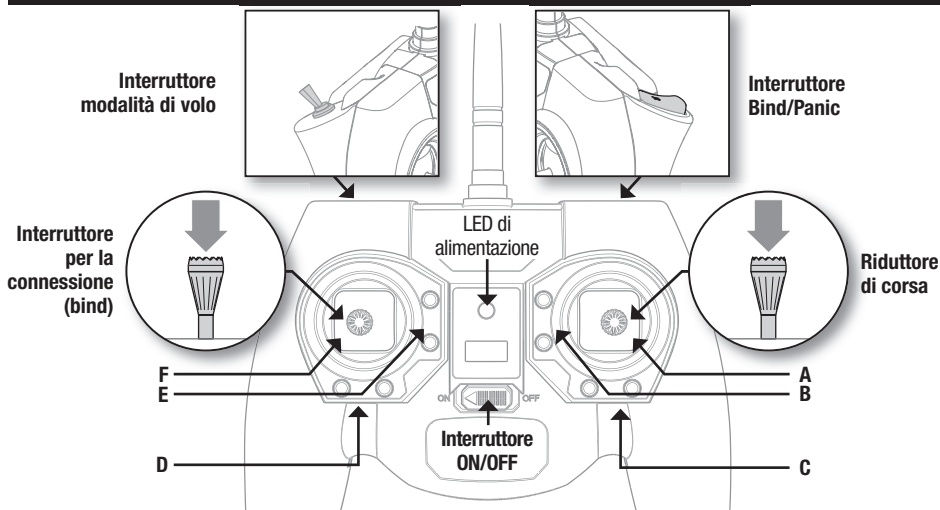
Procedura generale di connessione (BNF)

1. Scollegare la batteria di bordo dall'elicottero.
2. Fare riferimento alla tabella per impostare correttamente il trasmettitore.
3. Abbassare completamente lo stick del motore e centrare tutti i trim della vostra trasmittente.
4. Spegner il trasmettitore e posizionare tutti gli interruttori su 0. Portare il comando motore completamente in basso.
5. Connettere la batteria di volo alla scheda principale. Il LED della scheda principale inizierà a lampeggiare, indicando che si trova nella modalità di connessione (bind).
6. Accendere il trasmettitore mettendolo in modo "bind".
7. Rilasciare il tasto/interruttore "bind" dopo 2-3 secondi. La connessione è conclusa quando il LED sul ricevitore resta acceso fisso.
8. Scollegare la batteria di bordo e spegnere il trasmettitore.



ATTENZIONE: Quando si utilizza un trasmettitore Futaba con un modulo Spektrum DSM, è necessario invertire il canale del gas ed effettuare nuovamente il Binding. Consultare il manuale del vostro modulo Spektrum per settare nuovamente il Bind ed il FailSafe. Consultate il manuale della vostra trasmittente per effettuare l'inversione del canale del gas.

Controlli della trasmittente RTF



Se premuti, i pulsanti dei trim emettono un suono che aumenta o diminuisce di intensità a ogni pressione. La posizione del trim intermedia o neutra è associata a un tono medio nell'intervallo di passo dei suoni. La fine del campo di controllo è segnalata da una serie di beep.

Sensibilità dei comandi

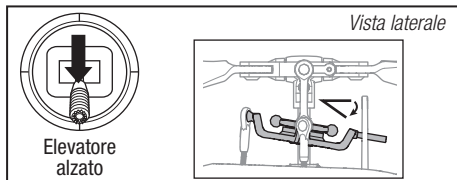
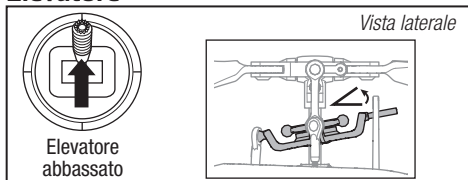
La sensibilità dei comandi può essere cambiata premendo e rilasciando lo stick di comando destro. Il LED della trasmittente è acceso fisso nel caso di alta sensibilità (impostazione di fabbrica) e lampeggia nel caso di bassa sensibilità.

	A	B	C	D	E	F
Modalità 1	Alettone (Sinistra/Destra) Throttle (Su/Giù)	Trim del throttle	Trim dell' alettone	Trim del timone	Trim dell' elevatore	Timone (Sinistra/Destra) Elevatore (Su/Giù)
Modalità 2	Alettone (Sinistra/Destra) Elevatore (Su/Giù)	Trim dell' elevatore	Trim dell' alettone	Trim del timone	Trim del throttle	Timone (Sinistra/Destra) Throttle (Su/Giù)

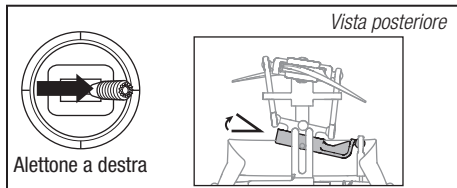
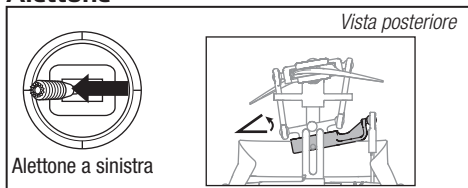
Test di controllo

Prima di far volare il modello, verificare la direzione dei comandi per accertarsi che servi, rinvii e tutte le parti operino correttamente. Quando si fanno queste verifiche, accertarsi che lo stick del motore sia posizionato in basso.

Elevatore



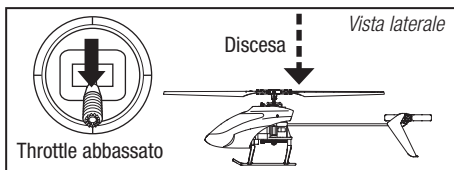
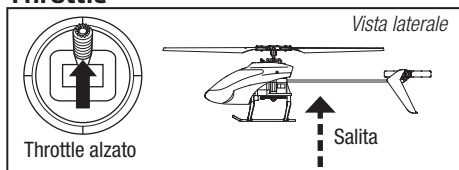
Alettone



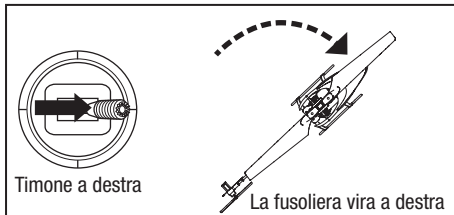
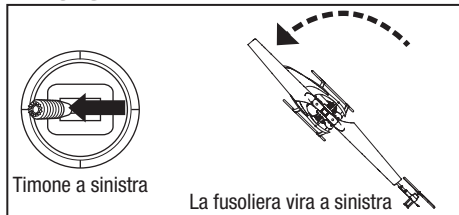
Informazioni sui comandi di volo principali

Se non si ha familiarità con i comandi dell'120 S, è necessario dedicare alcuni minuti per familiarizzarsi con essi prima di tentare il primo volo.

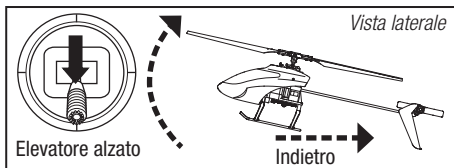
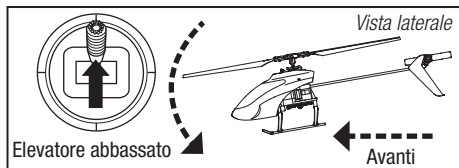
Throttle



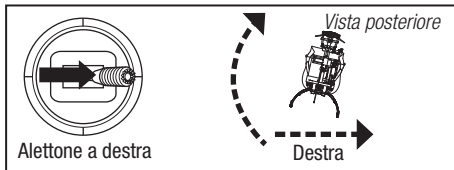
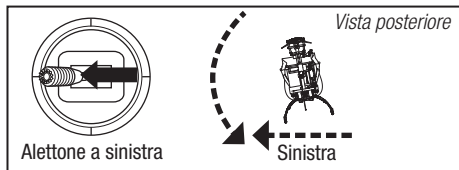
Timone



Elevatore



Alettone



La rivoluzionaria tecnologia SAFE usa una combinazione innovativa di sensori ad assi multipli e un software che permette al modello di conoscere la sua posizione relativa all'orizzonte. Questa percezione spaziale viene utilizzata per controllare l'involuppo di volo del velivolo e mantenere l'inclinazione di rollio o beccheggio entro campi ridotti per volare con maggiore sicurezza. Oltre alla stabilità questo tipo di protezione permette varie modalità di comportamento in modo che il pilota possa scegliere in base al suo livello di preparazione per sentirsi sempre sicuro nel controllo.

Funzione Antipanico

- Riporterà immediatamente il velivolo in assetto livellato.
- Per un recupero rapido portare lo stick del collettivo al 50% e gli altri comandi al centro.
- Questa modalità serve per dare confidenza al pilota e permettergli di migliorare la sua abilità senza rischiare.

In volo con il 120 S

Prima di scegliere un posto dove far volare il modello, conviene informarsi sulle leggi e le ordinanze locali.

Noi consigliamo di far volare il modello all'esterno con vento calmo (5-6 km/h o meno) o all'interno di una grande palestra. Evitare sempre di volare vicino a case, alberi, fili o altri edifici. Bisogna anche evitare di volare in aree affollate, come parchi o campi di gioco.

È meglio decollare da superfici lisce per evitare intoppi per il modello. Per facilitare il controllo, nei primi voli mantenere l'elicottero a circa 60cm dal suolo con la coda diretta verso il pilota. Nella modalità di volo Principiante o Intermedio, rilasciando gli stick, il modello si livella da solo. Attivando l'interruttore Antipanico, l'elicottero si livella velocemente. Se ci si trova disorientati, abbassare lentamente lo stick motore per atterrare dolcemente. Durante i primi voli bisogna solo mantenere il modello in volo stazionario facendo decolli e atterraggi.

Decollo

Mettere il modello su di una superficie piana e liscia, libera da ostacoli e arretrare di circa 10 metri. Accelerare lentamente finché il modello si trova a circa 60cm da terra.

La durata media del volo con la batteria fornita è di circa 10 minuti.

Hovering (volo stazionario)

Con piccole correzioni sui comandi del trasmettitore, provare a tenere l'elicottero su di un punto fisso. Se il vento è calmo, non saranno necessarie tante correzioni. Dopo aver mosso lo stick del ciclico e averlo riportato al centro, il modello dovrebbe livellarsi da solo. Il modello continua a muoversi per inerzia. Allora muovere il comando del ciclico dalla parte opposta per fermare il movimento.

Non usare i trim della trasmittente per eliminare movimenti traslatori. Se in condizioni calme l'elicottero non rimane in hovering, eseguire la *Procedura di calibrazione*.

Una volta ottenuto un hovering accettabile, si può proseguire facendo spostare il modello ma tenendo la coda sempre puntata verso di sé. Si può salire e scendere usando il comando motore. Una volta impraticiti con

La tecnologia SAFE fornisce:

- Protezione dell'involuppo di volo attivabile con un interruttore.
- Varie modalità permettono di adeguare la tecnologia SAFE al proprio livello di preparazione.

La cosa migliore è che la sofisticata tecnologia SAFE non richiede alcun intervento di messa a punto per poterla usare. Ogni velivolo con il SAFE installato è pronto all'uso per offrire la miglior esperienza di volo possibile.

FlySAFERC.com

Se si entra in confusione mentre si pilota in qualsiasi modalità, tenere premuto l'interruttore Bind/Panic e portare gli stick al centro. La tecnologia SAFE riporterà immediatamente il velivolo in assetto livellato, sempre che si trovi ad una quota sufficiente e senza ostacoli sul suo percorso. Riportare lo stick del collettivo al 50% e rilasciare l'interruttore Bind/Panic per uscire dalla modalità Antipanico e ritornare nella modalità di volo corrente.

queste manovre, si può provare a volare con la coda in posizioni diverse. È importante tenere sempre presente che i comandi ruotano insieme all'elicottero, quindi bisogna sempre cercare di immaginare i controlli relativi al naso dell'elicottero. Per esempio, il comando in avanti farà sempre abbassare il naso dell'elicottero.

Spegnimento per bassa tensione (LVC)

Questa funzione diminuisce la potenza dei motori man mano che la tensione della batteria diminuisce. Quando la potenza del motore diminuisce e si accende il LED rosso sull'ESC, bisogna far atterrare immediatamente il modello e ricaricare la batteria di bordo. Il sistema LVC non interviene per impedire che la batteria vada in sovra-scarica durante l'immagazzinamento.

AVVISO: se si fa intervenire ripetutamente l'LVC, le batterie si danneggeranno.

Atterraggio

Per atterrare, abbassare lentamente il comando motore partendo dal volo stazionario a bassa quota. Dopo l'atterraggio scollegare e togliere la batteria dal modello per evitare che si scarichi lentamente. Prima di immagazzinare la batteria, caricarla completamente e controllare di tanto in tanto che la sua tensione non scenda sotto i 3V per cella.

Modalità di Volo

Modalità stability, incidenza ridotta (FM0): Il LED della ricevente è acceso blu fisso. Questa modalità di volo permette solo un angolo di rollio ristretto e velocità elevate. Quando si rilascia lo stick del ciclico, allora il modello si autolivella.

Modalità stability, incidenza elevata (FM1): Il LED della ricevente è acceso blu fisso. Questa modalità di volo permette un angolo di rollio più ampio e velocità elevate. Quando si rilascia lo stick del ciclico, allora il modello si autolivella.

Modalità agility (FM2): Il LED della ricevente è acceso rosso fisso. L'angolo di rollio non è limitato. Quando si rilascia lo stick del ciclico, il modello non si autolivella.

Procedura di calibrazione

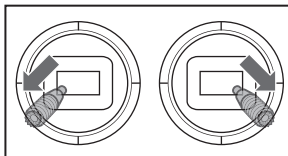
L'elicottero è stato calibrato in fabbrica prima di essere spedito, ma una caduta potrebbe causare una deformazione meccanica del telaio, causando un leggero movimento traslatorio nella modalità Stability. In questo caso, vi preghiamo di seguire la procedura di calibrazione.

Prima di cominciare con la procedura di calibrazione, caricare la batteria di volo completamente e assicurarsi che l'elicottero e la trasmittente siano connessi correttamente come indicato nelle istruzioni per la connessione.

Per calibrare il Blade 120 S:

1. Dopo

l'inizializzazione, spostare gli stick della trasmittente negli angoli esterni in basso, come illustrato.



Quando i LED blu e rosso sulla scheda principale si accenderanno fissi, significherà che la modalità di calibrazione è attiva.

2. Rilasciare entrambi gli stick.

3. Aumentare lentamente il motore e portare l'elicottero in hovering a bassa quota. I LED blu e rosso lampeggeranno in continuazione per indicare l'inizializzazione della procedura di calibrazione. Restare in hovering per circa 15 secondi, usando il minimo possibile di comandi per mantenerlo in posizione.

4. Far atterrare l'elicottero, abbassando lentamente lo stick del motore.

5. Dopo l'atterraggio, premere il tasto Bind/Panic per completare la procedura di calibrazione. Il LED si accenderà blu fisso.

Controlli e manutenzione dopo il volo

✓	
Attacchi a sfera	Verificare che le sfere siano tenute saldamente ma che non siano troppo strette. Se un collegamento fosse troppo lasco, potrebbe staccarsi in volo e causare un incidente. Sostituire gli attacchi usurati prima che sia troppo tardi.
Pulizia	Assicurarsi che la batteria non sia collegata prima di effettuare la pulizia. Rimuovere polvere e residui con una spazzola morbida o un panno asciutto e privo di peli.
Cuscinetti	Sostituire i cuscinetti se lavorano a scatti o fanno resistenza in certi punti.
Cablaggio	Assicurarsi che i cavi non blocchino componenti in movimento. Sostituire i cavi danneggiati e i connettori allentati.
Sistemi di fissaggio	Assicurarsi che non ci siano viti, elementi di fissaggio o connettori allentati. Non stringere eccessivamente le viti in metallo in componenti di plastica. Serrare le viti in modo che le parti siano a battuta, poi girare la vite solo 1/8 di giro in più.
Rotori	Accertarsi che le pale dei rotor o altre parti che girano velocemente, non siano danneggiate con crepe, sbavature, graffi o altro. Prima del volo, sostituire le parti danneggiate. Verificare che le due pale abbiano lo stesso attrito sul loro portapale. Sollevando l'elicottero girato su di un fianco, le pale principali dovrebbero sopportare il loro peso. Se l'elicottero viene agitato leggermente, le pale dovrebbero cadere.
Coda	Verificare che il rotore di coda non sia danneggiato, eventualmente sostituirlo. Ispezionare il tubo di coda per scoprire eventuali danni e, se è il caso, sostituirlo.
Meccanica	Controllare che il telaio principale e il carrello di atterraggio non siano danneggiati, eventualmente sostituirli. Controllare che l'albero principale non abbia gioco, regolando le guide, se necessario. Verificare che il gioco tra gli ingranaggi principali sia corretto e che non ci siano impuntamenti sui 360° della rotazione. Ispezionare i cablaggi per trovare eventuali danni e sostituire, se necessario, le parti danneggiate.

Risoluzione dei Problemi

Problema	Possibile Causa	Soluzione
L'elicottero è connesso con una Spektrum DXe, ma non risponde ai comandi	La trasmittente si trova nella modalità 9 canali	Usare il cavo di programmazione per la DXe e l'applicazione per PC o dispositivo mobile per cambiare la trasmittente alla modalità 7 canali o per scaricare il file per il settaggio della vostra trasmittente per il Blade 120 S su www.spektrumrc.com
L'elicottero non risponde al comando motore	Il comando motore o il suo trim sono troppo in alto	Scollegare la batteria di bordo, abbassare completamente lo stick motore e il suo trim. Collegare la batteria e rifare l'inizializzazione
	L'elicottero è stato mosso durante l'inizializzazione	Scollegare la batteria di bordo e poi rifare la procedura di inizializzazione evitando che l'elicottero si muova

Problema	Possibile Causa	Soluzione
L'elicottero ha ridotto il tempo di volo o è sotto potenziato	La batteria di bordo è quasi scarica	Ricaricare completamente la batteria
	La batteria di bordo è danneggiata	Sostituire la batteria seguendo le istruzioni
	La temperatura ambientale potrebbe essere troppo bassa	Prima dell'uso accertarsi che la batteria sia tiepida
Il LED sul ricevitore lampeggia rapidamente e l'elicottero non risponde al trasmettitore (durante la connessione)	Trasmettitore troppo vicino all'elicottero durante la connessione	Spegnerne il trasmettitore e allontanarlo dall'elicottero. Scollegare e ricollegare la batteria di bordo per rifare la procedura di connessione
	Non si è premuto il tasto/interruttore "bind" durante l'accensione del trasmettitore	Spegnerne il trasmettitore e ripetere la procedura di connessione
	L'elicottero o il trasmettitore sono troppo vicini a grossi oggetti metallici, sorgenti wifi o altri trasmettitori	Spostarsi in un'altra posizione e ripetere la procedura di connessione
Il LED sul ricevitore lampeggia rapidamente e l'elicottero non risponde al trasmettitore (dopo la connessione)	Prima di collegare la batteria di bordo bisogna aspettare 5 secondi dopo l'accensione del trasmettitore	Lasciare il trasmettitore acceso. Scollegare e ricollegare la batteria di bordo
	L'elicottero è connesso ad una memoria diversa (solo trasmettitori con ModelMatch)	Selezionare la memoria corretta sul trasmettitore. Scollegare e ricollegare la batteria di bordo
	La batteria di bordo o quella del trasmettitore sono quasi scariche	Sostituire o ricaricare le batterie
	L'elicottero o il trasmettitore sono troppo vicini a grossi oggetti metallici, sorgenti wifi o altri trasmettitori	Spostarsi in un'altra posizione e ripetere la procedura di connessione
L'elicottero vibra o trema in volo	Pale, spindle, manine porta pale, ingranaggio principale o albero principale difettosi	Controllare le pale principali, le manine porta pale, l'ingranaggio principale e l'albero principale per individuare eventuali incrinature, scheggiature o denti mancanti. Sostituire le parti danneggiate. Sostituire lo spindle se piegato
	I collegamenti della testa rotore non sono connessi correttamente	Connettere i collegamenti della testa rotore ai collegamenti a sfera corti sul piatto ciclico
Il modello non mantiene il livello / la funzione antipanco non livella il modello. Movimenti casuali durante il volo	Vibrazioni	Verificare che la ricevente sia connessa bene all'elicottero. Assicurarci che i cablaggi non creino contatti con la ricevente. Controllare e bilanciare tutte le parti rotanti. Verificare che l'albero principale e l'adattatore del rotore di coda non siano danneggiati o piegati. Controllare la meccanica per eventuali parti danneggiate o rotte e sostituirle
L'elicottero vibra o si scuote in volo	Pale del rotore, alberini o ferma pale danneggiati	Verificare le pale del rotore, gli alberini o i ferma pale. Sostituire le parti danneggiate
Deriva con vento calmo	Vibrazioni, collegamenti o servi danneggiati	In condizioni normali i trim del trasmettitore non dovrebbero richiedere regolazioni e le posizioni centrali vengono memorizzate durante l'inizializzazione. Se fossero necessarie regolazioni ai trim dopo il decollo, verificare il bilanciamento di tutti i componenti rotanti, accertandosi che i collegamenti non siano danneggiati e che i servi siano in buone condizioni di funzionamento. Eseguire la Procedura di calibrazione
Deriva con vento	È normale	Il modello si sposta con il vento ma dovrebbe restare livellato. Tenere semplicemente lo stick del ciclico nella posizione necessaria per mantenerlo in volo a punto fisso. Il modello deve appoggiarsi al vento per restare stazionario, se rimane livellato si sposterà con il vento
Forti vibrazioni	Componenti rotanti sbilanciati	Controllare che l'albero principale, il rotore di coda e le sue pale, il telaio e l'adattatore non siano danneggiati. Sostituirli se necessario. Per far lavorare correttamente le funzioni di Antipanco e di Autolivellamento le vibrazioni devono essere ridotte al minimo

Garanzia

Periodo di garanzia

Garanzia esclusiva - Horizon Hobby, LLC (Horizon) garantisce che il prodotto acquistato (il "Prodotto") sarà privo di difetti relativi ai materiali e di eventuali errori di montaggio alla data di acquisto. Il periodo di garanzia è conforme alle disposizioni legali del paese nel quale il prodotto è stato acquistato. Tale periodo di garanzia ammonta a 6 mesi e si estende ad altri 18 mesi dopo tale termine.

Limiti della garanzia

(a) La garanzia è limitata all'acquirente originale (Acquirente) e non è cedibile a terzi. L'acquirente ha il diritto a far riparare o a far sostituire la merce durante il periodo di questa garanzia. La garanzia copre solo quei prodotti acquistati presso un rivenditore autorizzato Horizon. Altre transazioni di terze parti non sono coperte da questa garanzia. La prova di acquisto è necessaria per far valere il diritto di garanzia. Inoltre, Horizon si riserva il diritto di cambiare o modificare i termini di questa garanzia senza alcun preavviso e di escludere tutte le altre garanzie già esistenti.

(b) Horizon non si assume alcuna garanzia per la disponibilità del prodotto, per l'adeguatezza o l'idoneità del prodotto a particolari previsti dall'utente. È sola responsabilità dell'acquirente il fatto di verificare se il prodotto è adatto agli scopi da lui previsti.

(c) Richiesta dell'acquirente - spetta soltanto a Horizon, a propria discrezione riparare o sostituire qualsiasi prodotto considerato difettoso e che rientra nei termini di garanzia. Queste sono le uniche rivealse a cui l'acquirente si può appellare, se un prodotto è difettoso.

Horizon si riserva il diritto di controllare qualsiasi componente utilizzato che viene coinvolto nella rivealse di garanzia. Le decisioni relative alla sostituzione o alla riparazione sono a discrezione di Horizon. Questa garanzia non copre dei danni superficiali o danni per cause di forza maggiore, uso errato del prodotto, un utilizzo che viola qualsiasi legge, regolamentazione o disposizione applicabile, negligenza, uso ai fini commerciali, o una qualsiasi modifica a qualsiasi parte del prodotto.

Questa garanzia non copre danni dovuti ad un'installazione errata, ad un funzionamento errato, ad una manutenzione o un tentativo di riparazione non idonei a cura di soggetti diversi da Horizon. La restituzione del prodotto a cura dell'acquirente, o da un suo rappresentante, deve essere approvata per iscritto dalla Horizon.

Limiti di danno

Horizon non si riterrà responsabile per danni speciali, diretti, indiretti o consequenziali; perdita di profitto o di produzione; perdita commerciale connessa al prodotto, indipendentemente dal fatto che la richiesta si basa su un contratto o sulla garanzia. Inoltre la responsabilità di Horizon non supera mai in nessun caso il prezzo di acquisto del prodotto per il quale si chiede la responsabilità. Horizon non ha alcun controllo sul montaggio, sull'utilizzo o sulla manutenzione del prodotto o di combinazioni di vari prodotti. Quindi Horizon non accetta nessuna responsabilità per danni o lesioni derivanti da tali circostanze. Con l'utilizzo e il montaggio del prodotto l'utente acconsente a tutte le condizioni, limitazioni e riserve di garanzia citate in questa sede. Qualora l'utente non fosse pronto ad assumersi tale responsabilità associata all'uso del prodotto, si suggerisce di restituire il prodotto intatto, mai usato e immediatamente presso il venditore.

Indicazioni di sicurezza

Questo è un prodotto sofisticato di hobbistica e non è un giocattolo. Esso deve essere manipolato con cautela, con giudizio e richiede delle conoscenze basilari di meccanica e delle facoltà mentali di base. Se il prodotto non verrà manipolato in maniera sicura e responsabile potrebbero risultare delle lesioni, dei gravi danni a persone, al prodotto o all'ambiente circostante. Questo prodotto non è concepito per essere usato dai bambini senza una diretta supervisione di un adulto. Il manuale del prodotto contiene le istruzioni di sicurezza, di funzionamento e di manutenzione del prodotto stesso. È fondamentale leggere e seguire tutte le istruzioni e le avvertenze nel manuale prima di mettere in funzione il prodotto. Solo così si eviterà un utilizzo errato e si preverranno incidenti, lesioni o danni.

Domande, assistenza e riparazioni

Il vostro negozio locale e/o luogo di acquisto non possono fornire garanzie di assistenza o riparazione senza previo colloquio con Horizon. Questo vale anche per le riparazioni in garanzia. Quindi in tali casi bisogna interpellare un rivenditore, che si metterà in contatto subito con Horizon per prendere una decisione che vi possa aiutare nel più breve tempo possibile.

Manutenzione e riparazione

Se il prodotto deve essere ispezionato o riparato, si prega di rivolgersi ad un rivenditore specializzato o direttamente ad Horizon. Il prodotto deve essere imballato con cura. Bisogna far notare che i box originali solitamente non sono adatti per effettuare una spedizione senza subire alcun danno. Bisogna effettuare una spedizione via corriere che fornisce una tracciabilità e un'assicurazione, in quanto Horizon non si assume alcuna responsabilità in relazione alla spedizione del prodotto. Inserire il prodotto in una busta assieme ad una descrizione dettagliata degli errori e ad una lista di tutti i singoli componenti spediti. Inoltre abbiamo bisogno di un indirizzo completo, di un numero di telefono per chiedere ulteriori domande e di un indirizzo e-mail.

Garanzia e riparazione

Le richieste in garanzia verranno elaborate solo se è presente una prova d'acquisto in originale proveniente da un rivenditore specializzato autorizzato, nella quale è ben visibile la data di acquisto. Se la garanzia viene confermata, allora il prodotto verrà riparato o sostituito. Questa decisione spetta esclusivamente a Horizon Hobby.

Riparazioni a pagamento

Se bisogna effettuare una riparazione a pagamento, effettueremo un preventivo che verrà inoltrato al vostro rivenditore. La riparazione verrà effettuata dopo l'autorizzazione da parte del vostro rivenditore. La somma per la riparazione dovrà essere pagata al vostro rivenditore. Le riparazioni a pagamento avranno un costo minimo di 30 minuti di lavoro e in fattura includeranno le spese di restituzione. Qualsiasi riparazione non pagata e non richiesta entro 90 giorni verrà considerata abbandonata e verrà gestita di conseguenza.

ATTENZIONE: Le riparazioni a pagamento sono disponibili solo sull'elettronica e sui motori. Le riparazioni a livello meccanico, soprattutto per gli elicotteri e le vetture RC, sono molto costose e devono essere effettuate autonomamente dall'acquirente.

10/15

Garanzia e Assistenza - Informazioni per i contatti

Stato di acquisto	Horizon Hobby	Telefono/Indirizzo e-mail	Indirizzo
Germania	Horizon Technischer Service Sales: Horizon Hobby GmbH	service@horizonhobby.de +49 (0) 4121 2655 100	Christian-Junge-Straße 1 25337 Elmshorn, Germania

Informazioni sulla conformità per l'Unione Europea



Dichiarazione di Conformità EU:

RTF:

Horizon Hobby, LLC con la presente dichiara che il prodotto è conforme ai requisiti essenziali e ad altre disposizioni rilevanti del R&TTE, direttiva EMC, e LVD.

BNF:

Horizon Hobby, LLC con la presente dichiara che il prodotto è conforme ai requisiti essenziali e ad altre disposizioni rilevanti del R&TTE e direttiva EMC.

Una copia della dichiarazione di conformità per l'Unione Europea è disponibile a:
<http://www.horizonhobby.com/content/support-render-compliance>.

Istruzioni del RAEE per lo smaltimento da parte di utenti dell'Unione Europea



Questo prodotto non deve essere smaltito assieme ai rifiuti domestici. Al contrario, l'utente è responsabile dello smaltimento di tali rifiuti che devono essere portati in un centro di raccolta designato per il riciclaggio di rifiuti elettrici e apparecchiature elettroniche. La raccolta differenziata e il riciclaggio di tali rifiuti

provenienti da apparecchiature nel momento dello smaltimento aiuteranno a preservare le risorse naturali e garantiranno un riciclaggio adatto a proteggere il benessere dell'uomo e dell'ambiente. Per maggiori informazioni sui centri di raccolta, contattare il proprio ufficio locale, il servizio di smaltimento rifiuti o il negozio presso il quale è stato acquistato il prodotto.

©2016 Horizon Hobby, LLC

Blade, E-Flite, the BNF logo, DSM, DSM2, DSMX, SAFE, the SAFE logo, AirWare and ModelMatch are trademarks or registered trademarks of Horizon Hobby, LLC.

The Spektrum trademark is used with permission of Bachmann Industries, Inc.

All other trademarks, service marks and logos are property of their respective owners.

Patents pending.

Created 11/15

BLH4100, BLH4180

45925