

INSTRUCTION MANUAL
AX90045-1001

READY-TO-RUN
WRAITHTM
SPAWN

ALL TERRAIN STRAIGHT AXLE
ROCK RACER
1/10th SCALE ELECTRIC 4WD



 **axial**[®]
www.axialracing.com



CAUTIONS

 To prevent serious personal injury and/or property damage, operate all remotely controlled models in a responsible manner as outlined herein.

CHOOSE THE RIGHT PLACE TO OPERATE YOUR R/C MODEL.

- Do not run on public streets or highways. This could cause serious accidents, personal injuries, and/or property damage.
- Never run R/C models near people or animals.
- To avoid injury, do not run in confined spaces.
- Do not run where loud noises can disturb others, such as hospitals and residential areas.
- Never run indoors. There is a high risk of fire and/or damage.

INSPECT YOUR MODEL BEFORE OPERATION.

- Make sure that all screws and nuts are properly tightened. It is also a good idea to use removable thread lock wherever metal screws go into metal, especially for engine mounts and the engine pilot shaft.
- Always use fresh batteries for your transmitter and for your receiver to avoid losing control of the model.
- Always test the brakes and throttle before starting your engine to avoid losing control of the model.

AFTER OPERATION OF YOUR R/C MODEL

- Turn off receiver first, then turn off transmitter, this will prevent runaways.
- Be careful when handling batteries, they will be hot after running.
- Replace any batteries that have been dented or have frayed wires, short circuits can cause fire.
- Be sure to keep your R/C model clean and free of excess dirt and grease, this will increase the life.

VORSICHT!

 Um Verletzungen an Personen und/oder Sachschäden zu vermeiden, sollten alle ferngesteuerten Modelle sorgfältig und verantwortungsbewusst bedient werden, wie nachfolgend beschrieben.

Wählen Sie den richtigen Platz zum Fahren

- Fahren Sie niemals auf öffentlichen Straßen. Dies könnte Verkehrsunfälle, Personen schäden oder Sachschäden verursachen.
- Fahren Sie niemals in der Nähe von anderen Personen oder Tieren.
- Fahren Sie niemals auf belebten Straßen.
- Fahren Sie nie in der Nähe von Wohnhäusern oder Krankenhäusern. Der Lärm könnte andere Personen stören.
- Fahren Sie niemals in Innenräumen. Dort könnte etwas beschädigt werden.

Überprüfen Sie Ihr Modell, bevor Sie es in Betrieb nehmen.

- Gehen Sie sicher, dass alle Schrauben und Muttern festgezogen sind. Verwenden Sie überall dort Schrauben-Sicherungslack, wo Metallschrauben in ein Metallgewinde greifen, besonders bei den Motorhaltern.
- Um Störungen zu vermeiden, benutzen Sie immer voll geladene Akkus in Ihrem Sender und Empfänger.
- Bevor Sie den Motor starten, sollten Sie immer die Funktion der Bremse und des Gashebels testen.

Nach Betrieb des RC Modells:

- Zuerst den Empfänger abdrehen, dann den Sender abdrehen um unkontrolliertes Durchgehen zu vermeiden.
- Seien Sie vorsichtig mit gebrauchten Akkus, sie können nach dem Gebrauch heiß sein.
- Ersetzen Sie Akkus/Batterien die beschädigt sind oder schadhafte Kabel aufweisen, sie können Kurzschlüsse oder Feuer verursachen.
- Halten Sie Ihr Fahrzeug sauber und entfernen Sie Schmutz und Schmierfett, damit erhöhen Sie die Lebensdauer Ihres Modells.

PRECAUTIONS

 Afin d'éviter toutes blessures corporelles et/ou dommages environnants, veuillez procéder en toute responsabilité comme indiqué ci-dessous

Choisir le lieu adéquat pour faire rouler votre modèle.

- Ne jamais rouler dans les rues ou sur les routes ouvertes au publique. Ceci peut provoquer de graves accidents.
- Ne jamais rouler près de personnes ou d'animaux.
- Pour éviter les blessures, ne pas rouler dans des espaces confinés.
- Ne jamais rouler où le bruit peut déranger, comme aux abords des hôpitaux ou des quartiers résidentiels.
- Ne jamais rouler à l'intérieur: les gaz d'échappement sont nocifs.

Controler votre modèle avant chaque utilisation.

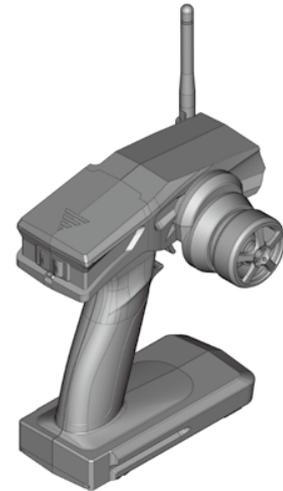
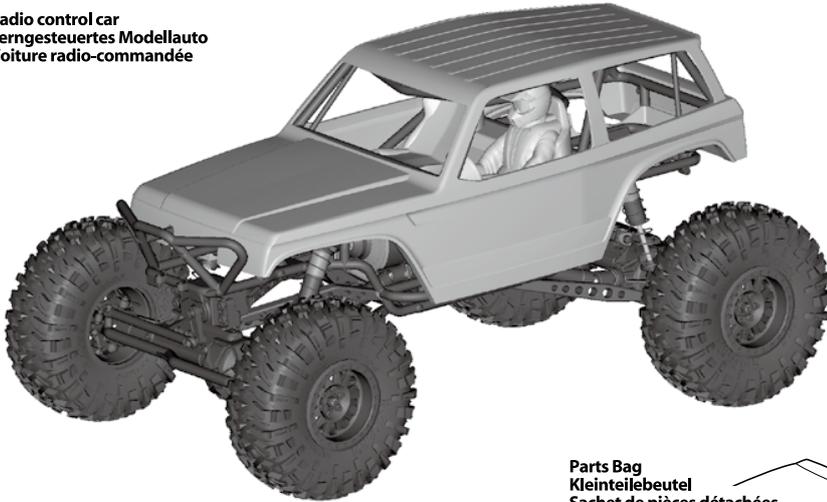
- Vérifier que les vis et les écrous sont bien serrés. Il est très fortement conseillé d'utiliser du frein filet pour bloquer les vis qui sont en contact avec du métal et tout particulièrement les vis du moteur.
- Toujours utiliser des batteries bien chargées pour l'émission et la réception.
- Toujours vérifier les freins et la commande des gaz avant de démarrer.

Après l'Opération De Votre Modèle de R/C

- Le virage du récepteur premier, alors virage de l'émetteur, ceci empêchera des fugitifs.
- Faire attention en contrôlant des piles, ils auront chaud après avoir couru.
- Remplacer n'importe quelles piles qui ont été cabossées ou a éraillé des fils, les court-circuits peuvent causer le feu.
- Etre sûr de garder votre modèle de R/C nettoie et libère de terre et la graisse suppléments taires, ceci augmentera la vie.

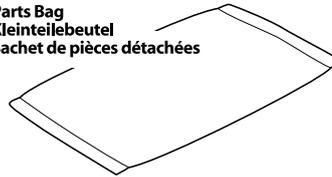
Included items / Im Baukasten enthalten / Outils inclus dans le kit

Radio control car
Ferngesteuertes Modellauto
Voiture radio-commandée

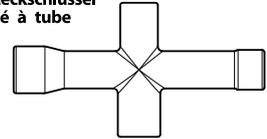


2.4GHz
Transmitter
Sender
Emetteur

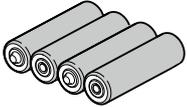
Parts Bag
Kleinteilebeutel
Sachet de pièces détachées



Cross wrench
Steckschlüssel
Clé à tube



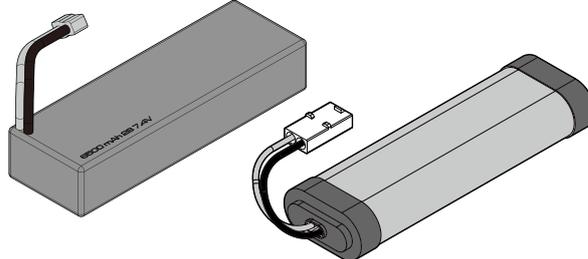
Equipment needed / Benötigtes Zubehör / Equipement nécessaire



x4

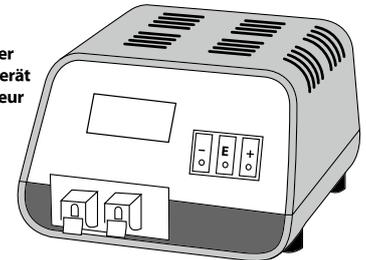
8AA Alkaline Dry Batteries.
8 St. AA Trockenbatterien.
8 piles type R6 pour votre
radio commande.

Battery
Akku-Pack
Pack de batterie

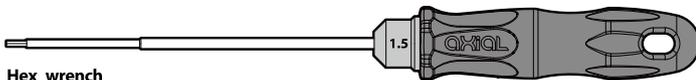


Deans Plug Connector Required

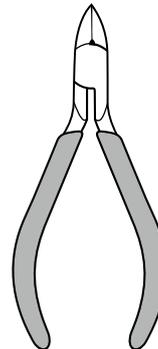
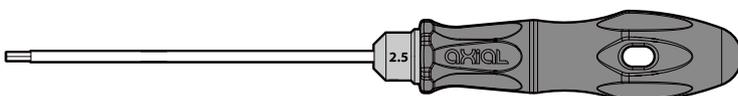
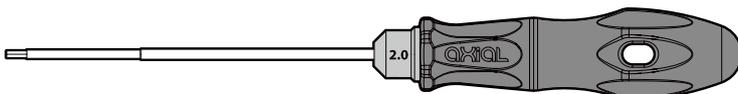
Charger
Ladegerät
Chargeur



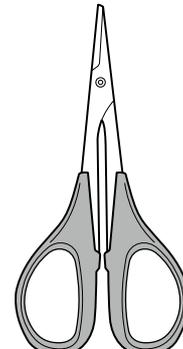
Tools Recommended / Benötigte Werkzeuge / Outillage



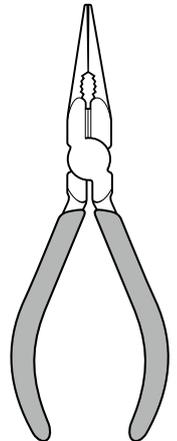
Hex wrench
Inbusschlüssel
Clé Allen



Side cutter
Seitenschneider
Pincès coupantes

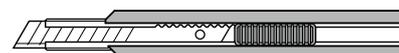


Curved scissors
Schere
Ciseaux

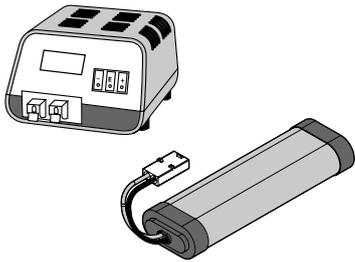


Long nose pliers
Flachzange
Pincès à becs longs

Modeling knife
Modellermesser
Couteau de modéliste



Charge your battery / Laden des Fahrakkus / Chargement de la batterie



Follow the manufacturer's directions for the charger you purchased to properly charge your batteries.

Folgen Sie den Herstelleranweisungen für den Auflader Ihres gekauften ordentlich, Ihre Batterien zu laden.

Suivre les directions de fabricants pour le chargeur votre a acheté convenablement pour charger vos piles.

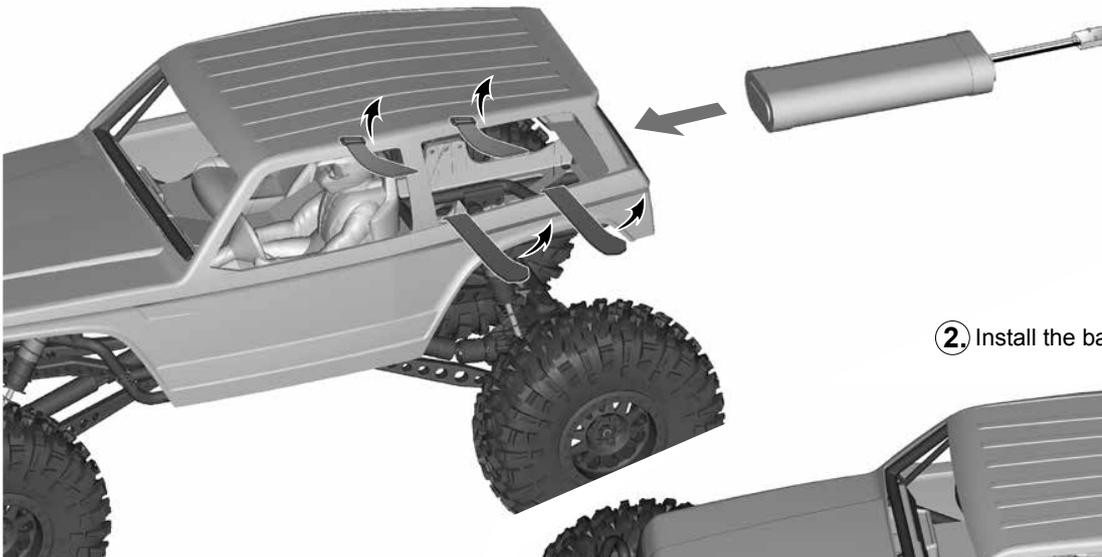
Make sure charger is correct for battery type selected for use.

Examples: Do NOT charge LiPo batteries with Nickel Metal Hydride charger. Do NOT charge Nickel Cadmium batteries LiPo charger.

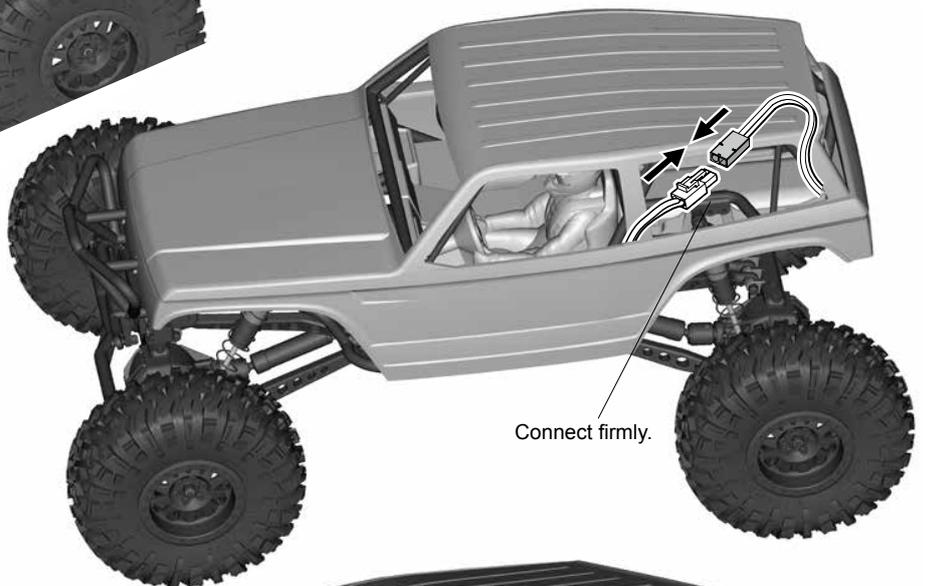
Stellen Sie sicher, Ladegerät ist korrekt für Batterietyp zur Verwendung ausgewählt. Beispiele: Laden Sie keine LiPo-Akkus mit Nickel-Metall-Hydrid-Ladegerät. Laden Sie keine Nickel-Cadmium-Akkus LiPo Ladegerät.

Assurez-vous que le chargeur est correcte pour le type de batterie sélectionné à l'emploi. Exemples: Ne pas charger les batteries LiPo avec chargeur hydrure métallique de nickel. Ne chargez pas les batteries au nickel-cadmium LiPo chargeur.

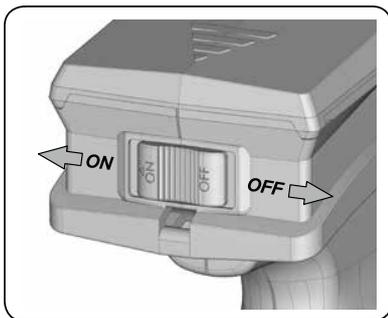
1. Put the battery in the car.



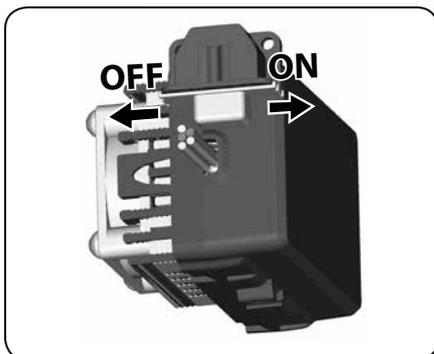
2. Install the battery.



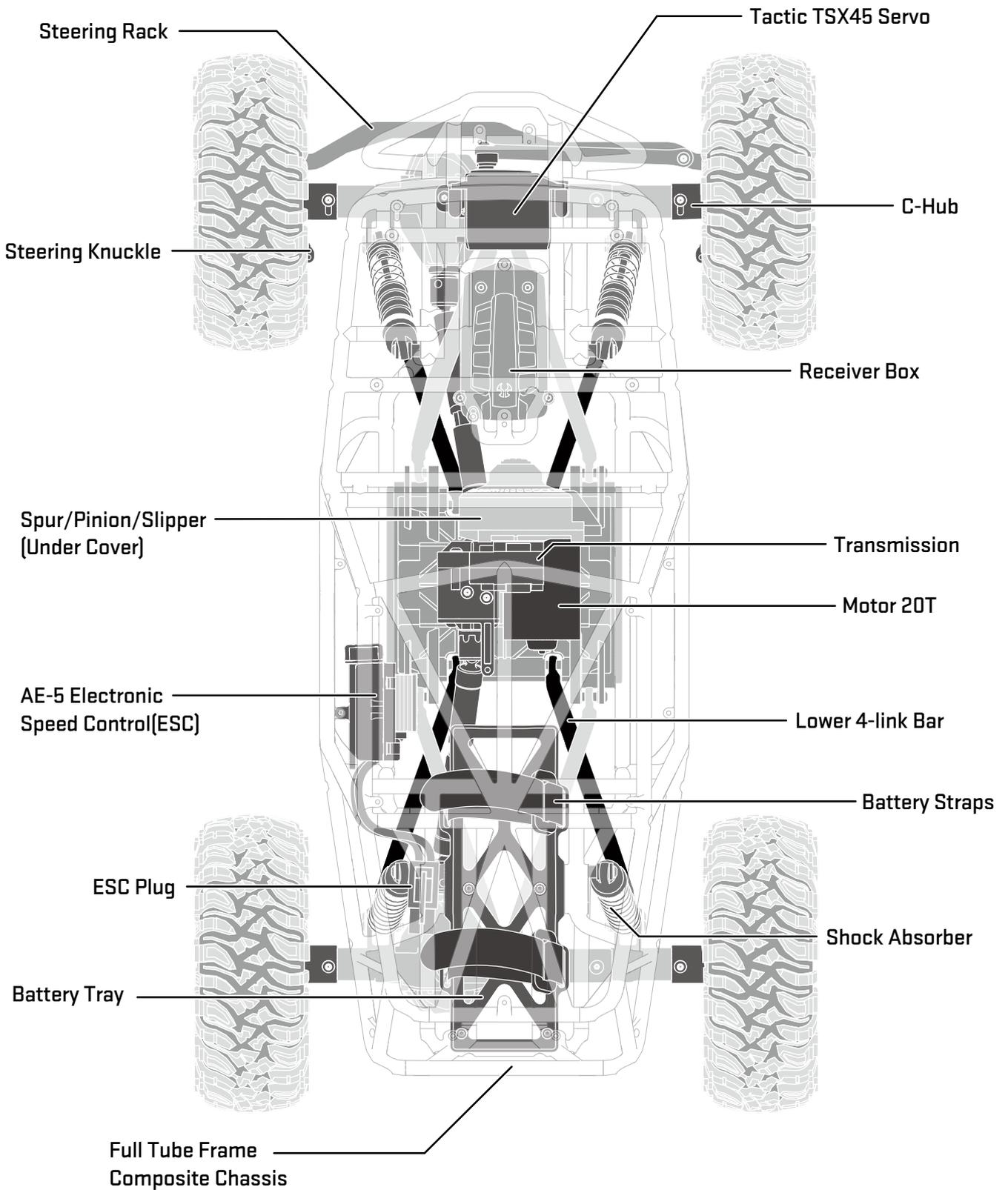
3. Turn on the transmitter.



4. Turn on the electronic speed controller.

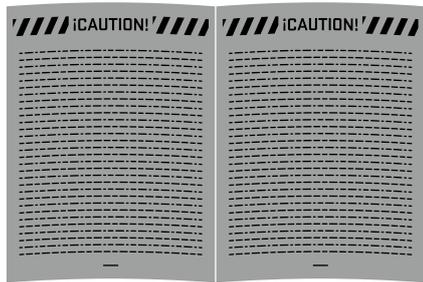


Top View Parts

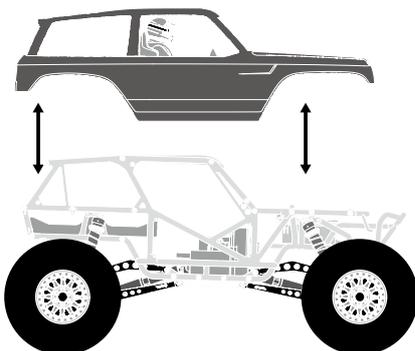


Getting-Started Checklist

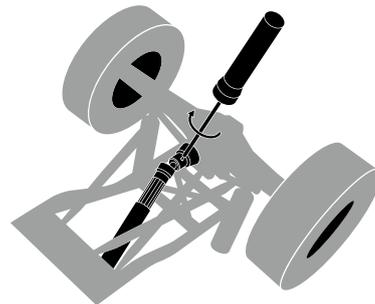
The following checklist is a guide for getting you vehicle running for the first time.



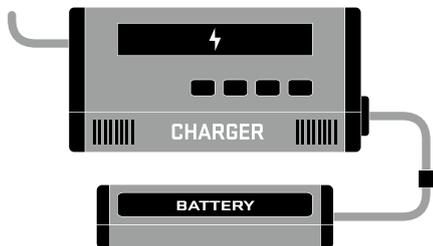
Read 'Cautions' in Manual. (Page 2)



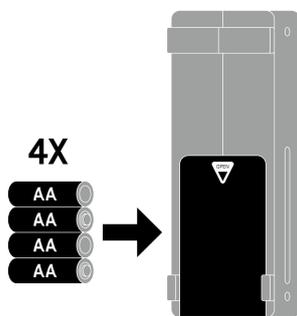
Familiarize yourself with vehicle and its components.



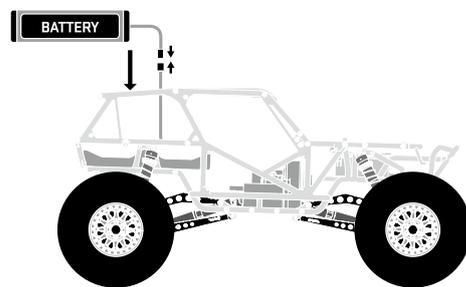
Even though the vehicle is new check driveshaft setscrews and other screws to make sure they are tight from the factory.



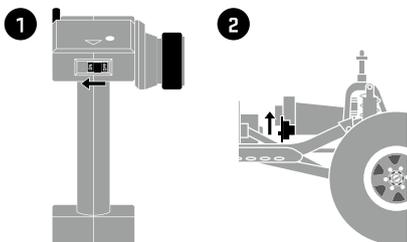
Charge battery pack. (Page 4)



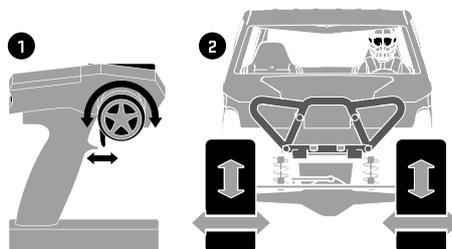
Install 4X AA batteries into Transmitter. (Page 7)



Install battery pack in vehicle. (Page 4)



Turn on transmitter FIRST then ESC. (Page 4)



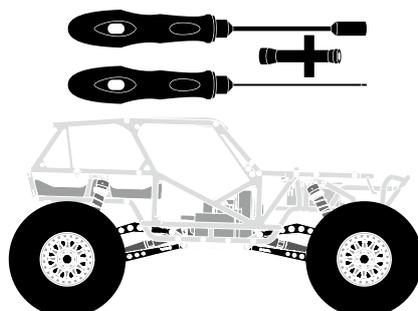
Check to make sure steering and throttle operation work correctly. (Page 7)



Range check radio system. (Next Page)



Drive vehicle, challenge yourself and have fun!



Maintain vehicle. (Next Page)

Range-Checking Your Radio System

The radio system should be checked before operating the vehicle to ensure it's operating properly and has adequate range.



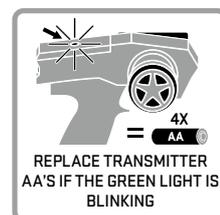
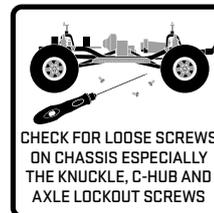
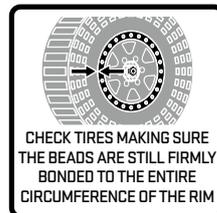
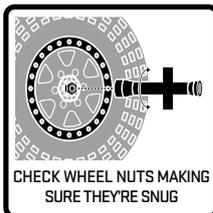
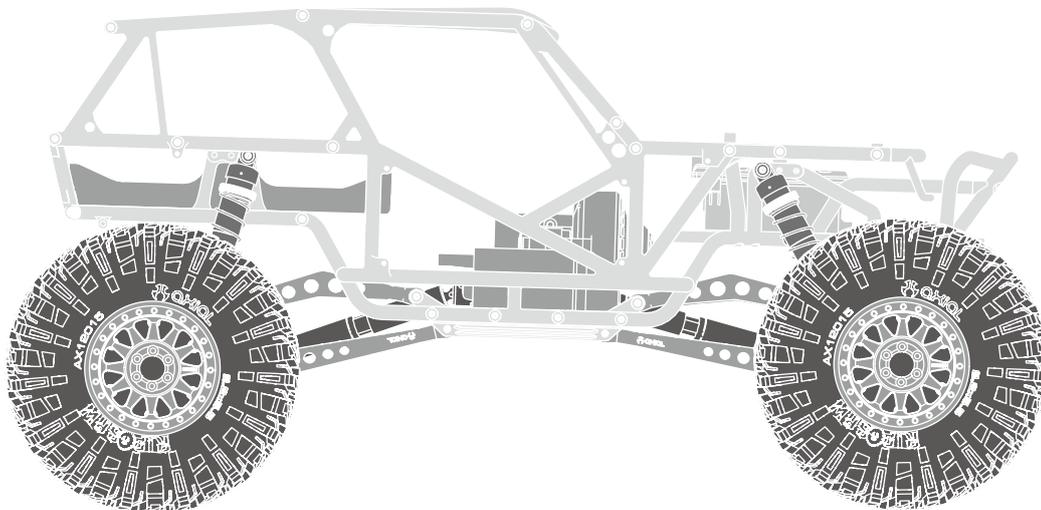
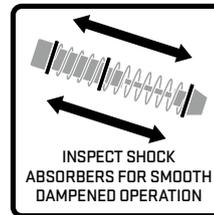
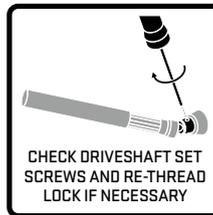
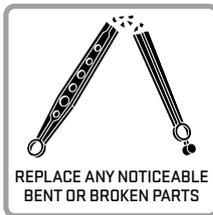
1. Turn on the transmitter first and then the vehicle.
2. Have a friend hold the vehicle while keeping hands and loose clothing away from moving parts.
3. Walk away until you are at the farthest distance you plan to operate the vehicle.
4. Steer the vehicle back and forth and throttle both forward and reverse making sure there is no erratic behavior.
5. If any erratic behavior is exhibited do not operate the vehicle, call customer service for further assistance.



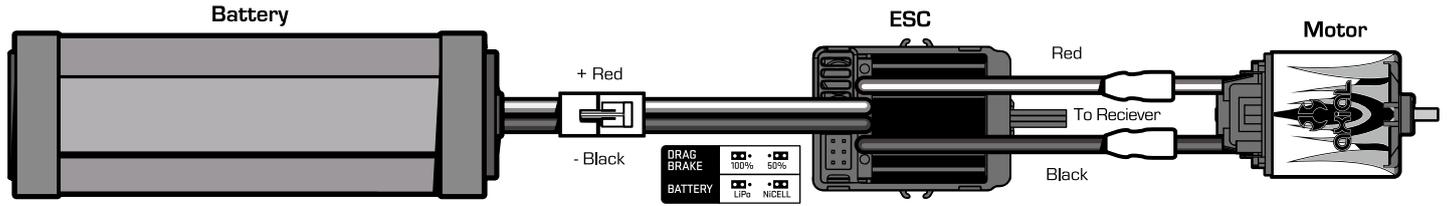
RANGE-CHECKING FOR DISTANCE

Maintaining Your Vehicle

Just like a full size car or truck your RC vehicle must undergo periodic maintenance in order to ensure peak running performance. Preventative maintenance will also help avoid needless breakages which could result in costly repairs. Below are some suggestions to properly maintain your vehicle.



AE-5 Forward/Reverse ESC w/ Drag Brake



Setup:

Throttle calibration should not be needed out-of-the-box. However in order to make the ESC match the throttle range of different transmitters, the calibration of the ESC is necessary:

- Mount the ESC in an area that is well ventilated and isolated from vibration and shock.
- Connect the ESC wires to the motor red-red & black-black.
- Plug the receiver wire into the throttle channel on the receiver. The black negative wire should be towards the outside of the receiver.
- Before plugging the battery into the ESC, make sure your transmitter is on and the throttle trim is set at zero.
- Plug in the battery to the ESC with the ESC switch in the OFF position.
- To calibrate the ESC, turn on the transmitter keeping throttle stick at its neutral position.
- Wait for 3 seconds to let the ESC execute self-test and automatic throttle calibration.
- When the ESC is ready to run, a long beep sound is emitted from the motor.

Do not reverse the battery wire connections! Reversing the battery polarity will permanently damage the esc.

Notes:

- Drag Brake set to 100% from the factory.
- LiPo Cut-Off is set to "ON" from the factory.

Specifications:

Input Voltage:	2-3S LiPo, 5-9 Cells NiMH/ NiCd
Size:	46.5mm x 34mm x 28.5mm
Weight:	70g
Motor Limit:	12T 2S / 18T 3S
On-Resistance FET:	.002
Rated/ Peak Current:	180A
Braking Current:	90A
BEC Voltage/A:	5.0V 2/0A Peak
PWM Frequency:	1KHz

Beep Sound and LED Status:

1 Short Beep:	Battery is NiMH/ NiCd
2 Short Beeps:	Battery is 2S Lipo
3 Short Beeps:	Battery is 3S Lipo
1 Long Beep:	Self-test and throttle calibration is OK and ESC is ready to run

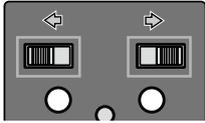


CONNECT THE BATTERY PACK JUST BEFORE DRIVING AND DISCONNECT IT IMMEDIATELY AFTER.
ALWAYS MAKE SURE YOU ARE CONNECTING THE ESC TO A PROPER POWER SOURCE THAT HAS THE CORRECT VOLTAGE & POLARITY. INCORRECT VOLTAGES OR REVERSED POLARITY WILL DAMAGE THE ESC.
ONCE THE BATTERY PACK IS CONNECTED, HANDLE THE MODEL WITH EXTREME CARE, MAKE SURE YOU ARE CLEAR OF ALL ROTATING PARTS.

NOTES

SETUP BEFORE STARTING - EINSTELLUNG VOR DEM START

Steering and Throttle Reverse Switch
Servo Reverse Schalter
 Servo Factory Settings
 Beachten Sie die Pfeile für die Servo Grundeinstellung



Throttle Trim
Gastrimmung

To be used for trimming the throttle operation.
 Wird verwendet um den Gasnullpunkt einzustellen.



Steering Trim
Lenktrimmung

To be used for trimming the steering operation.
 Wird verwendet, um den Geradeauslauf einzustellen.

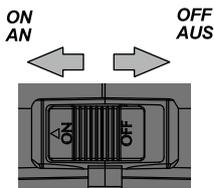


Charger plug in
Ladebuchse



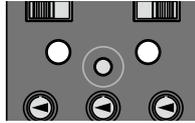
※ Rechargeable AA batteries required.
 Charger not included. Nutzen Sie diese Ladebuchse nur mit aufladbaren Batterien.

Power Switch
Ein/Aus Schalter



Binding Button
Binding Taster

The other side Rückseite

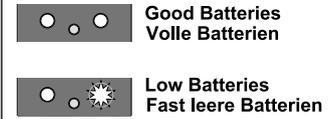


ST-D/R
Steering Dual Rate
Maximaler Lenkausschlag



To be used to adjust steering servo rate and range.
 Einstellung des maximalen Lenkausschlages.

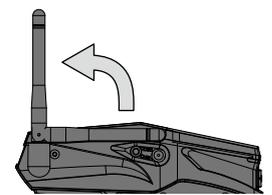
Battery Level Indicator
Batterie Statusanzeige



When the batteries are low the green indicator light will flash.

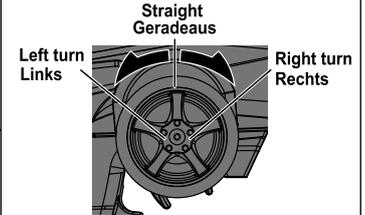
Antenna/Antenne

Flip the antenna up before use



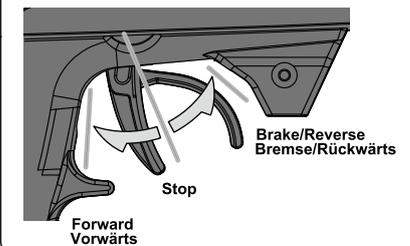
Steering Wheel
Lenkrad

To be used for steering operation.
 Wird verwendet um das Fahrzeug zu steuern.



Throttle Trigger
Gas/Brems Hebel

To be used for throttle operation.
 Um das Fahrzeug zu beschleunigen & abzubremsen.



RADIO BINDING INSTRUCTIONS

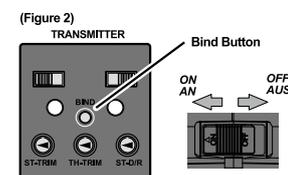
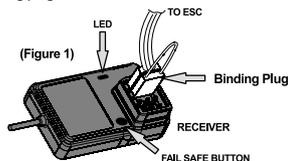
The radio system is bound from the factory so no binding should be necessary. However, if you are matching a new receiver to the transmitter, please follow these steps:

1. Install AA batteries into the transmitter.
2. Insert the binding plug into CH 3 port on the receiver. (Figure 1)
3. Turn on the receiver. You will notice the two LED's are now flashing meaning the receiver is in 'seek' mode and ready to find the transmitter.
4. Press and hold the binding button on the transmitter while turning on the power switch. (Figure 2)
5. The LED's on the receiver should stop flashing indicating it's now bound to the transmitter.
6. Release the binding button on the transmitter and remove the binding plug from the receiver.
7. Turn off the receiver, then turn off the transmitter. Once powered on again, radio binding has been completed.

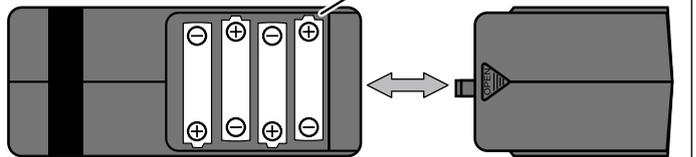
If the system did not bind please repeat step's 1-7 again or call Axial Customer Service: (877) 64-AXIAL (877-642-9425).
 NOTE: the AX-3 transmitter will only bind with the AR-3 receiver

Fail Safe Programming

1. With the radio system bound and powered up, position the throttle trigger to the stop position. For electric applications with drag brake, put the trigger in the stop position. For Nitro applications, position the throttle to apply some amount of brake.
2. With the throttle trigger positioned to desired fail safe position press and hold the button on the receiver until the red LED starts flashing. As soon as it starts flashing release the button; it will then flash for 3 more seconds. Fail safe is now programmed.
3. To test, elevate your vehicle so the tires are off the ground. Apply some throttle and turn the transmitter off. If the throttle returns to neutral within a few seconds, fail safe is programmed correctly. If your vehicle keeps running, fail safe was not programmed correctly; repeat steps 1 and 2.



Battery Cover
Batteriefach



Transmitter Battery Installation/Einglegen der Senderbatterien

Open battery cover at bottom of transmitter. Install batteries. Follow the direction of batteries designated in the inside of battery box.

Öffnen Sie das Batteriefach an der Unterseite des Senders. Legen Sie die Batterien entsprechende der angegebenen Polarität ein.

ATTENTION

Do not mix batteries of different ages or types.
 Mischen Sie keine Batterien verschiedenen Typs oder Alters.



- NEVER RUN R/C MODEL IN CROWDED AREA OR NEAR SMALL CHILDREN
- PROTECT YOUR SYSTEM FROM MOISTURE
- REMOVE BATTERY FROM R/C MODEL WHEN STORING



Warranty Info

AXIAL LIMITED WARRANTY

Your Axial product is warranted to be free of defects in materials and workmanship when new in the factory sealed box. This warranty does not cover damages due to normal wear and tear, users' failure to perform routine maintenance, error of assembly or installation, modifications or addition of aftermarket parts or option parts. This warranty lasts as long as the original purchaser owns the product and is not transferable (verified by dated itemized sales receipt accompanied with product). In the event of a defect under this warranty, Axial will, at our discretion, repair or replace the product, provided our inspection indicates that an original defect exists. Axial provides a 10-day warranty from the date of purchase on electronics (i.e. servo, esc, radio). Axial reserves the right to replace any product which is no longer available with a product of comparable value and function. If Axial determines the repair is not covered under warranty guidelines, there could be a charge applied for the repair and return shipping charges. Note: Purchasing products from unauthorized distributors may void warranty and prevent support and service.

INTERNATIONAL CUSTOMER WARRANTY

Please return product to the dealer where the purchase was made. If your Axial product purchase was made through an on-line retailer, any warranty issues must be taken care of by that retailer. Axial assumes no responsibility for Axial products sold internationally by on-line retailers.

REPAIR

For warranty repair, please contact Axial Customer Service at (877) 64-AXIAL (877-642-9425).

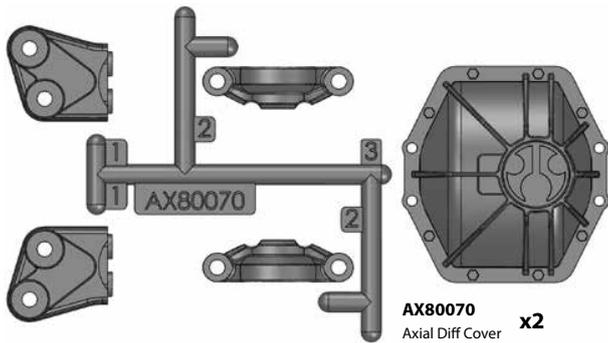
HOURS AVAILABLE:

8:00 am - 5:00 pm Monday through Friday, Central Time.

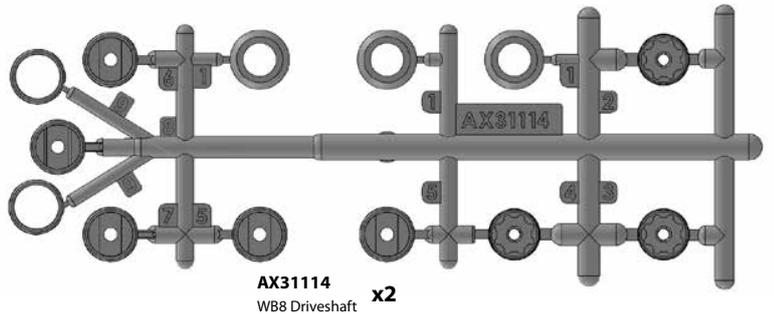
Trouble Shooting / Fehlerbehebung / Dépannage

Problem Problem Problème	Cause Grund Cause	Remedy Lösung Remède
<p>Does not move Das Auto fährt nicht Le véhicule ne bouge pas</p>	<p>Batteries are not installed properly in the transmitter. Die Batterien sitzen nicht korrekt im Sender. Les piles ne sont pas placées correctement dans l'émetteur.</p> <p>Weak or no battery in model. Leerer oder kein Akku im Auto. Batterie faible ou non installée</p> <p>Damaged motor. Kaputter Motor. Moteur endommagé</p> <p>Frayed or broken wiring. Beschädigte Verkabelung. Câble dénudé ou coupe</p> <p>ESC is shut down by heat protection circuit. Notabschaltung des Reglers wegen Überhitzung. Le système ESC est fermé par le circuit de protection thermique.</p>	<p>Make sure batteries are properly installed. Legen Sie die Batterien korrekt ein. Positionnez correctement les piles dans l'émetteur.</p> <p>Install charged battery. Einbauen eines geladenen Akkus. Mettez en place une batterie chargée</p> <p>Replace with new motor. Austausch durch einen neuen Motor. Remplacez par un nouveau moteur</p> <p>Splice and insulate wiring completely. Erneuern und isolieren Sie die kaputte Stelle. Faites une épissure et isolez complètement le câble.</p> <p>Stop driving immediately, do not drive the car until the Speed Controller cools down. Fahren Sie nicht weiter. Warten Sie bis der Fahrten regler abgekühlt ist. Arrêtez immédiatement de conduire, ne pilotez pas la voiture tant que le contrôleur de vitesse n'a pas refroidi.</p>
<p>No Control. Keine Kontrolle über das Auto Pas de contrôle</p>	<p>Improper antenna on transmitter or model. Zu kurze Antenne am Sender oder Auto. Antenne inadéquate sur l'émetteur ou le véhicule</p> <p>Weak or no batteries in transmitter or model. Leere oder keine Batterien im Sender oder Auto. Batterie faible ou absente dans l'émetteur ou le véhicule.</p> <p>Neutral position or trim is incorrect. Neutralposition oder Trimmung sind verstellt. La position neutre est incorrecte ou le trim n'est pas réglé.</p> <p>Are the receiver and battery connections properly connected? Sind der Empfänger und die Batterieverbindungen ordentlich verbunden? Son conectadas apropiadamente las conexiones del receptor y la batería?</p>	<p>Install charged or fresh batteries. Einbauen voller Batterien. Mettez des batteries rechargées ou neuves.</p> <p>Fully extend antenna. Ziehen Sie die Antenne vollständig aus. Dépliez complètement l'antenne.</p> <p>Adjust the steering trim. Stellen Sie die Lenkungstrimmung neu ein. Réglez le trim de direction.</p> <p>Check receiver and battery connections. Prüfen Sie Empfänger und Batterieverbindungen. Compruebe conexiones de batería y receptor.</p>
<p>Steering and Throttle Function Reversed. Lenkung und Gas funktionieren genau verkehrt herum. Direction et accélération inverses.</p>	<p>Servo reverse switch is in wrong position. Servorichtungs-Schalter ist in der falschen Position. L'interrupteur de marche arrière du servo est dans la mauvaise position</p> <p>Please check that the wires from ESC to motor are connected properly. Bitte überprüfen Sie, ob die Kabel vom Regler zum Motor richtig sitzen. Veillez vérifier que les fils allant de l'ESC au moteur sont correctement raccordés.</p>	<p>Set to correct position. Satz, Position zu korrigieren Vérifiez la position correcte</p> <p>Check to make sure motor and ESC are properly connected. Kontrolle sich zu vergewissern, dass Motor und ESC ordentlich verbunden sind. Le contrôle pour assurer que le moteur et ESC est convenablement connecté.</p>

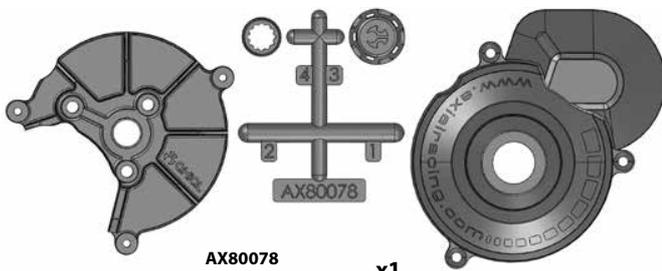
Parts Reference / Übersicht aller Teile / Référence des pièces



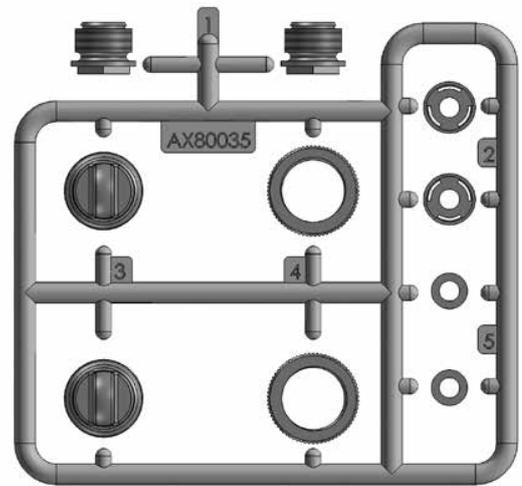
AX80070
Axial Diff Cover **x2**



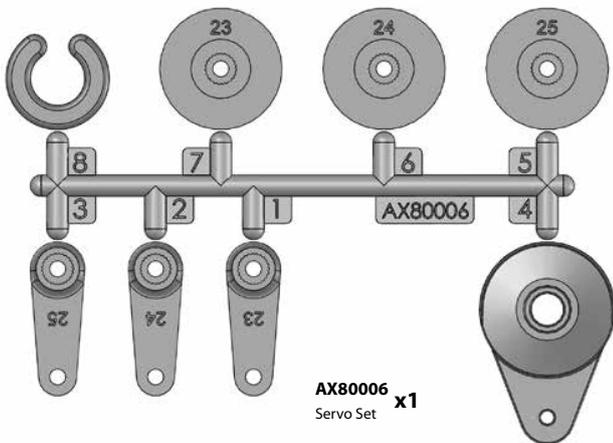
AX31114
WB8 Driveshaft **x2**



AX80078
Transmission Gear Cover **x1**



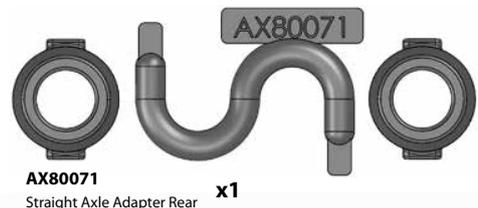
AX80035
10mm Shock Caps Set **x2**



AX80006
Servo Set **x1**



AX80128
Wheel Hub Adapters **x4**

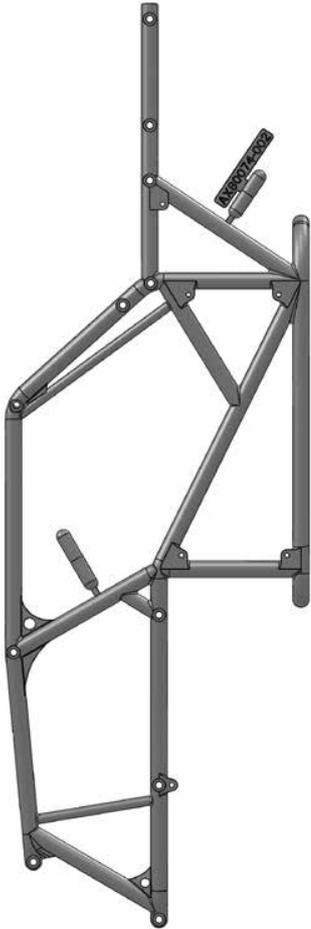


AX80071
Straight Axle Adapter Rear **x1**

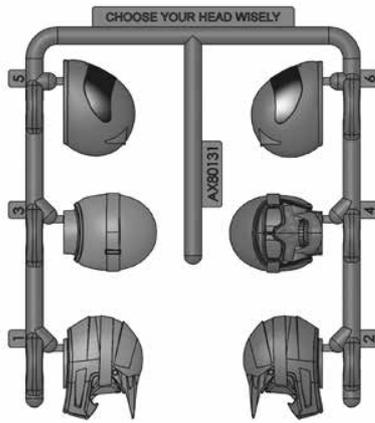


AX80072
Offset Axle 4 link mount **x1**

AX80088
Rock Buggy Main Frame **x1**



AX80131
Motocross Helmet **x1**



AX80087
Rock Buggy Main Frame **x1**



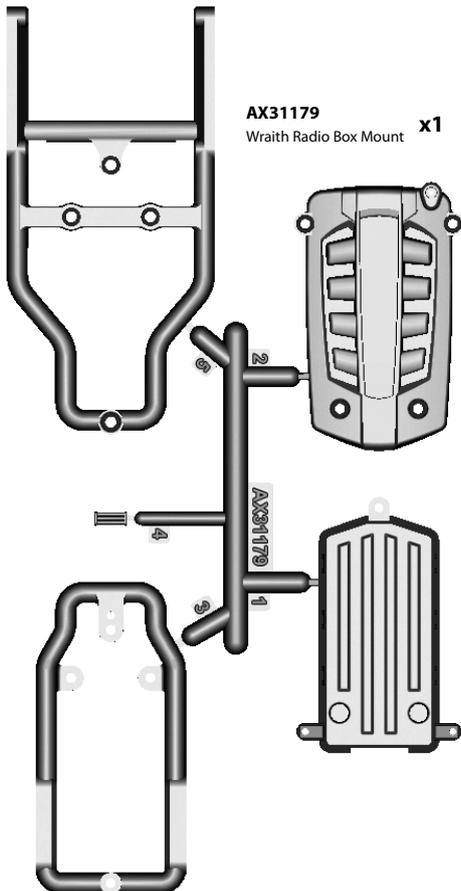
AX80083
Rock Buggy Links Set **x2**



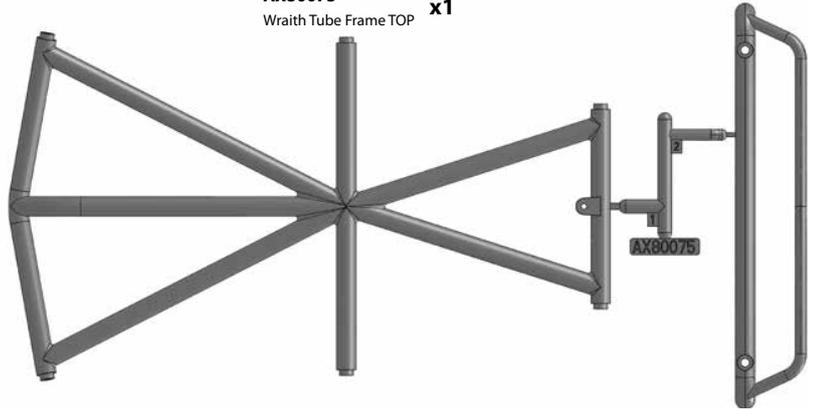
AX80077
Rock Buggy Front End 1 **x1**



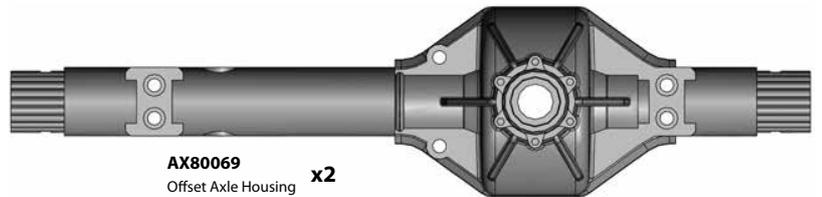
AX31179
Wraith Radio Box Mount **x1**

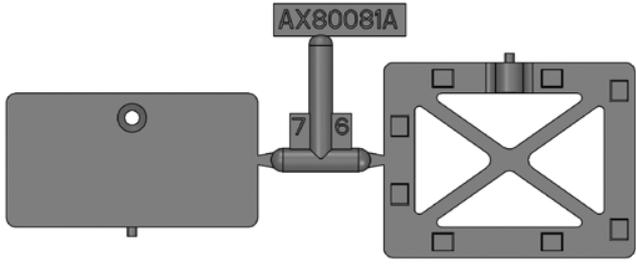


AX80075
Wraith Tube Frame TOP **x1**



AX80069
Offset Axle Housing **x2**

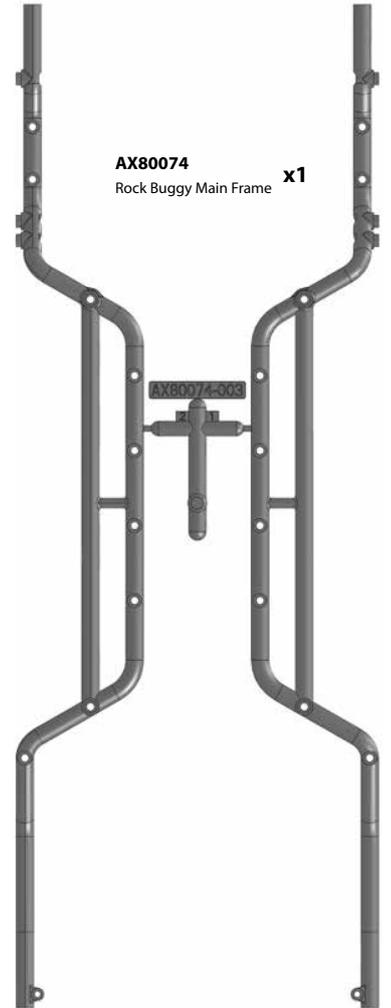




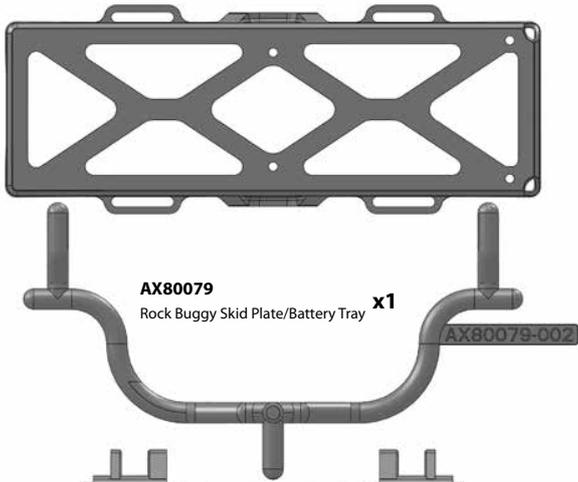
AX80081
Optional ESC Mounts **x1**



AX31178
2.2 Method Beadlock Wheel Face **x4**



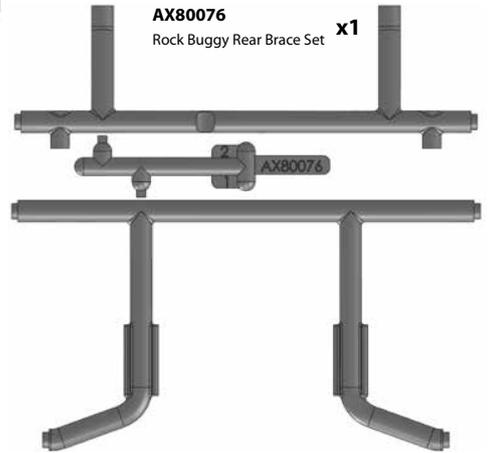
AX80074
Rock Buggy Main Frame **x1**



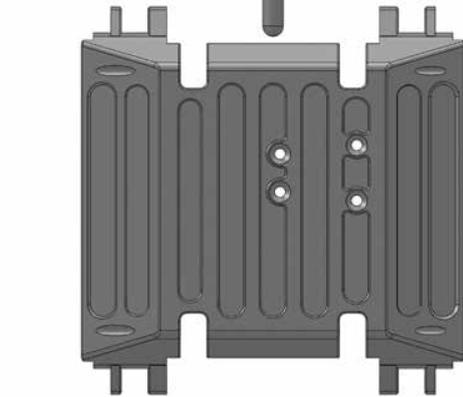
AX80079
Rock Buggy Skid Plate/Battery Tray **x1**



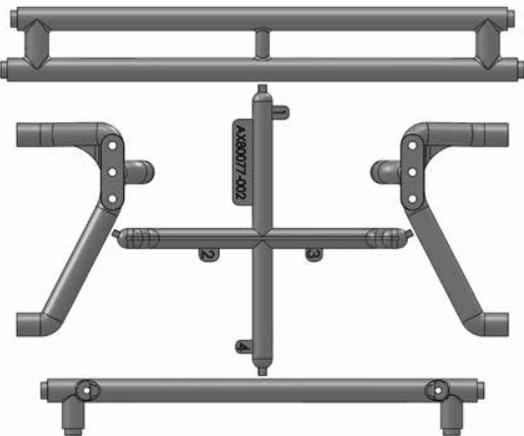
AX80082
Rock Buggy Battery Brace **x2**



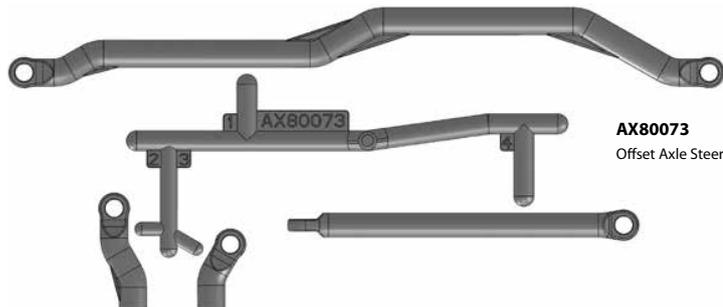
AX80076
Rock Buggy Rear Brace Set **x1**

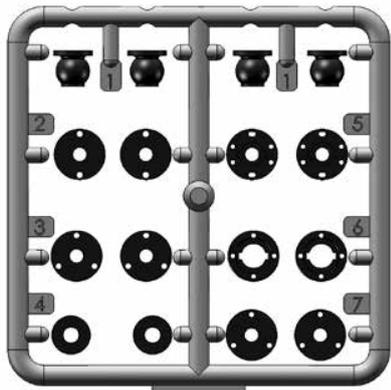


AX80089
Rock Buggy Front End 2 **x1**

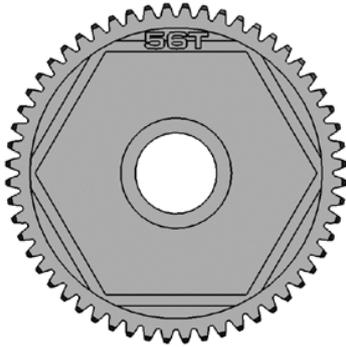


AX80073
Offset Axle Steering Link **x1**





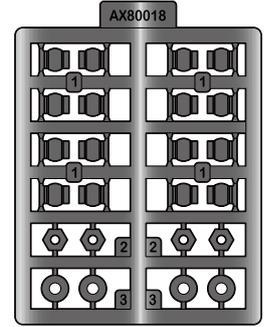
AX80033
10mm Shock Set 1 **x2**



AX31027
Spurs 32DP 56T **x1**



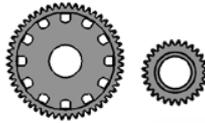
AX31027
4x11mm bushing **x1**



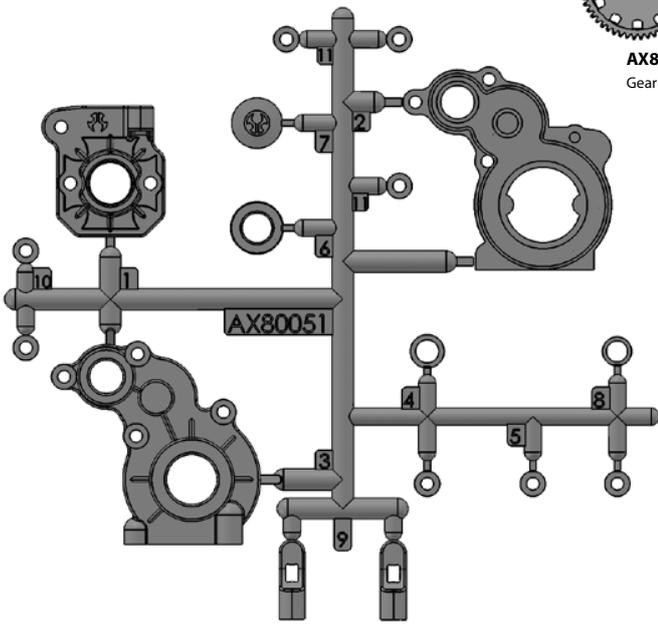
AX80018
Hardware Parts Tree **x2**



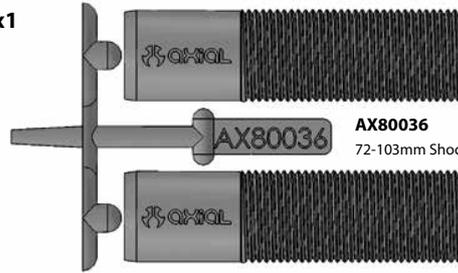
AX80062
XR10 C Hub Carrier Set **x1**



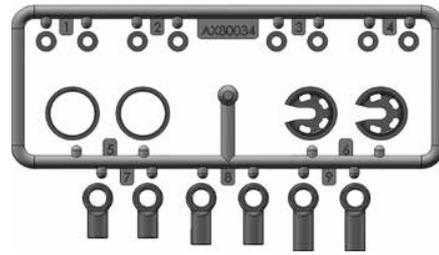
AX80010
Gear Set **x1**



AX80051
Dig Transmission Case **x1**



AX80036
72-103mm Shock Body **x2**



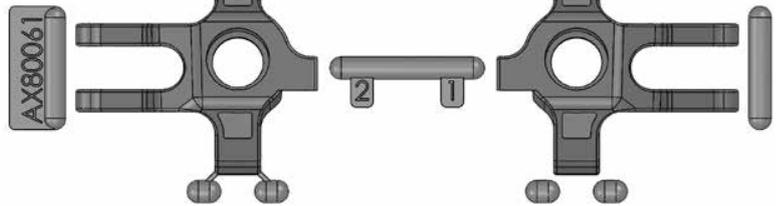
AX80034
10mm Shock Set 2 **x2**



AX30419
Solid Axle Dogbone 7x69mm **x1**



AX30419
Solid Axle Dogbone 7x125mm **x1**



AX80061
Steering Knuckles Plastic Set **x1**



AX30776
Straight Axle Shaft 6x104.2mm **x1**



AX30155
Shock Shaft 3x59.5 **x4**



AX30776
Straight Axle Shaft 6x160.2mm **x1**

 **AX30162**
Pin 1.5x8mm **x1**

 **AX30163**
Pin 2x10mm **x2**

 **AX31028**
Pin 2.0x11mm **x8**

 **AXA180**
M3x3mm **x6**

 **AXA291**
M4x4mm **x1**

 **AXA187**
Set Screw M3x20mm **x4**

 **AXA0175**
Screw Shaft M4x12mm **x4**

 **AX31148**
Universal Joint Axle Pin holder **x4**

 **AX30450**
Flange Pipe 3x4.5x5.5 **x4**

 **AX30392**
13T Bevel Gear **x2**

 **AX30394**
20T Drive Gear **x1**

 **AX30723**
Pinion 32DP 12T **x1**

 **AXA1393**
E2.5 e-clip **x2**

 **AX30113**
Rubber Bump Stop 3.6x7x4 **x4**

 **AX30413**
Slipper spring **x1**

 **AX30112**
Shock Diaphragm 13x4.5mm **x4**

 **AX30435**
Steel Outdrive Shaft **x1**

 **AX30437**
Dig Lockout Shaft **x1**

 **AX31180**
S Aluminum Spur Gear Spacer 5x9x17mm - Grey **x1**

 **AX30190**
Shaft 5x18 **x1**

 **AX30408**
Input Shaft 5x29mm **x2**

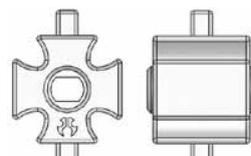
 **AX30777**
56x17mm Servo Plate **x1**

 **AX31149**
Drive gear Shaft 5x54.5 **x1**

 **AX31148**
WB8-HD Joint Male Universal **x4**

 **AX31148**
WB8-HD Joint 10x15mm **x4**

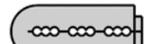
 **AX30368**
Axle 6x39mm **x2**

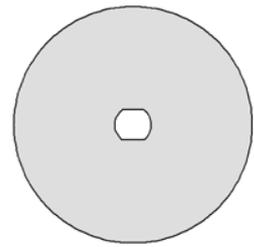
 **AX30500**
Heavy Duty Locker **x2**

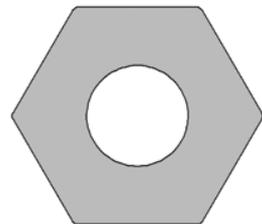
 **AX30385**
Diff Gasket 16x25x0.5mm **x2**

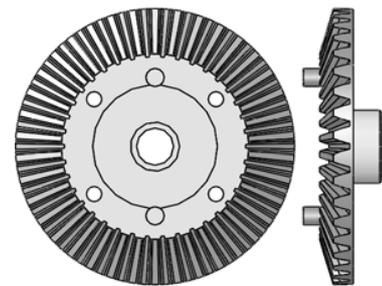
 **AX30491**
AX10 Scorpion Motor Plate **x1**

 **AX31083**
Radio Box Seals **x1**

 **AX31083**
Radio Box Seals **x1**

 **AX31026**
Slipper Plate **x2**

 **AX31068**
Slipper Pad **x2**

 **AX30392**
38T Bevel Gear **x2**

AX30392
38T Bevel Gear **x2**

 **AX31083**
Radio Box Seals **x1**

 **AX30128**
Axial Spring 14x70mm-Super Soft (Red) **x4**



AXA1040
M3 Thin Hex Nut **x2**



AXA1041
M2.5 Nylon Lock Nut **x4**



AXA1052
M3 Thin Nylon Locking Hex Nut **x19**



AXA1053
M3 Nylon Locking Hex Nut **x3**



AXA1069
Washer 2.7x6.7x0.5 mm **x8**



AXA1070
Washer 3x6x0.5 mm **x3**



AXA1071
Washer 4x8x0.5mm **x1**



AXA1091
Washer 5x10x0.5mm **x1**



AXA1184
O-Ring 7.5x1.5mm **x4**



AXA1202
O-Ring 3.5x2mm **x8**



AXA1218
Bearing 5x10x4mm **x4**



AXA1221
Bearing 5x11x4mm **x11**



AXA1230
Bearing 10x15x4mm **x6**



AXA1225
Bearing 8x16x5mm **x1**



AXA1243
Bearing 15x21x4mm **x1**



AXA1356
Silicone Shock Bushing 7.5x8mm **x4**



AXA31250
M4 Serrated Nylon Locking Nut (Black) **x4**



AXA1280
M3x10mm Servo Flange Screw **x4**



AXA013
M2x6mm **x3**



AXA015
M2x10mm **x16**



AXA0023
M2.6x8mm **x24**



AXA083
M3x6mm **x2**



AXA087
M3x16mm **x8**



AXA089
M3x25mm **x3**



AXA091
M3x30mm **x2**



AXA0113
M3x6mm **x3**



AXA115
M3x10mm **x4**



AXA116
M3x12mm **x26**



AXA117
M3x15mm **x3**



AXA118
M3x18mm **x8**



AXA144
M3x8mm **x4**



AXA0413
M2.6x8mm **x6**



AXA0414
M2.6x10mm **x8**



AXA464
M3x8mm **x3**



AXA465
M3x10mm **x5**



AXA466
M3x12mm **x2**



AXA0422
M2.6x6mm **x8**



AXA0424
M2.6x10mm **x1**



AXA433
M3x6mm **x8**



AXA434
M3x8mm **x3**



AXA435
M3x10mm **x12**



AXA436
M3x12mm **x5**



AXA0437
M3x15mm **x9**



AXA438
M3x18mm **x46**



AXA0439
M3x20mm **x4**



AXA440
M3x25mm **x2**



AXA441
M3x30mm **x2**

Parts List

Part #	Description	Part #	Description
AX12015	2.2 Ripsaw Tires - R35 Compound (2pcs)	AX80128	Wheel Hub Adapters (2pcs Narrow, 2pcs Wide)
AX24003	20T Electric Motor	AX80131	Helmet Set
AX30041	Velcro Strap 15x160mm	AXA0023	M2.6x8mm Cap Head (Black) (10pcs)
AX30112	Shock Diaphragm 13x4.5mm (6pcs)	AXA0109	M3x10mm Oversized Flat Hex Socket (Black) (10pcs)
AX30113	Rubber Bump Stop 3.6x7x4 (6pcs)	AXA0113	M3x6mm Hex Socket Button Head (Black) (10pcs)
AX30155	Shock Shaft 3x59.5 (2pcs)	AXA013	M2x6 mm Cap Head (Black) (10pcs)
AX30162	Pin 1.5x8mm (6pcs.)	AXA015	M2x10mm Cap Head (Black) (10pcs)
AX30163	Pin 2.0x10mm (6pcs.)	AXA0187	M3x20mm Set Screw (Black) (10pcs)
AX30190	Shaft 5x18 (2pcs.)	AXA0413	M2.6x8mm Hex Socket Tapping Flat Head (Black) (10pcs)
AX30218	Spring 14x70mm 2.07 lbs/in - Super Soft (Red) (2pcs)	AXA0414	M2.6x10mm Hex Socket Tapping Flat Head (Black) (10pcs)
AX30368	Axle 6x39mm (2pcs)	AXA0422	M2.6x6mm Hex Socket Tapping Button Head (Black) (10pcs)
AX30385	Diff Gasket 16x25x0.5mm (2pcs)	AXA0437	M3x15mm Hex Socket Tapping Button Head (Black) (10pcs)
AX30392	Bevel Gear Set (38/13)	AXA0439	M3x20mm Hex Socket Tapping Button Head (Black) (10pcs)
AX30394	20T Drive Gear	AXA083	M3x6mm Cap Head (Black) (10pcs)
AX30408	Input Shaft 5x29mm (2pcs)	AXA087	M3x16mm Cap Head (Black) (10pcs)
AX30413	Slipper spring 8.5x12 165 lbs/in - Black (2pcs)	AXA089	M3x25mm Cap Head (Black) (10pcs)
AX30419	AR60 OCP Front Dogbone Set	AXA091	M3x30mm Cap Head - Black (10pcs)
AX30435	Steel Outdrive Shaft Set (2pcs)	AXA1041	M2.5 Nylon Locking Hex Nut - Silver (10pcs)
AX30437	Dig Lockout Shaft	AXA1052	M3 Thin Nylon Locking Hex Nut (Black)
AX30450	Flange Pipe 3x4.5x5.5 (4pcs)	AXA1053	M3 Nylon Locking Hex Nut (Black) (10pcs)
AX30491	AX10 RTR Motor Plate	AXA1069	Washer 2.7x6.7x0.5 (10pcs)
AX30500	Heavy Duty Locker (2pcs)	AXA1070	Washer 3x6x0.5 (10pcs)
AX30723	Pinion Gear 32P 12T (3mm shaft)	AXA115	M3x10mm Hex Socket Button Head (Black) (10pcs)
AX30776	AR60 OCP Rear Axle Set (2pcs)	AXA116	M3x12mm Hex Socket Button Head - Black (10pcs)
AX30777	56x17mm Servo Plate	AXA117	M3x15mm Hex Socket Button Head (Black) (10pcs)
AX30778	Zero Ackerman Steering Plate (2pcs)	AXA1184	O-Ring 7.5x1.5mm (S8) - (10pcs)
AX30810	EXO™ Universal Joint Rebuild Set (Front or Rear) (2pcs)	AXA1184	O-Ring 7.5x1.5mm (S8) - (10pcs)
AX31026	Slipper Plate Washer 33x5x1.5mm (2pcs)	AXA1202	O-Ring 3.5x2mm (10pcs)
AX31027	Spur Gear 32P 56T	AXA1218	Bearing 5x10x4mm (2pcs)
AX31028	Pin 2.0x11mm (6pcs)	AXA1221	Bearing 5x11x4mm (2pcs)
AX31068	Slipper Pad 32.8x15.2x1mm (2pcs)	AXA1225	Bearing 8x16x5mm (2pcs)
AX31068	Slipper Pad 32.8x15.2x1mm (2pcs)	AXA1230	Bearing 10x15x4mm
AX31083	Radio Box Seals	AXA1243	Bearing 15x21x4mm (2pcs)
AX31114	WB8-HD Driveshaft	AXA1356	Silicone Shock Bushing 7.5x8mm (6pcs)
AX31144	AE-5 Waterproof Forward/Reverse ESC w/ Drag Brake	AXA1393	E2.5 e-clip (10pcs)
AX31148	WB8-HD Driveshaft Coupler Set	AXA144	M3x8mm Hex Socket Flat Head (Black) (10pcs)
AX31149	Slipper Drive Gear Shaft 5x54.50mm	AXA180	M3x3mm Set Screw (Black) (10pcs)
AX31176	Wraith Spawn Body - .040" (Clear)	AXA186	M3x16mm Set Screw (Black) (10pcs)
AX31177	Wraith Spawn Interior Set - .040" (Clear)	AXA291	M4x4mm Set Screw (Black) (6pcs.)
AX31178	2.2 Method Beadlock Wheels - IFD™ Wheels - Black(2pcs)	AXA291	M4x4mm Set Screw (Black) (6pcs.)
AX31179	Tube Frame Electronics Box	AXA433	M3x6mm Hex Socket Tapping Button Head - Black (10pcs)
AX31180	Aluminum Spur Gear Spacer	AXA434	M3x8mm Hex Socket Tapping Button Head (Black) (10pcs)
AX31250	M4 Serrated Nylon Lock Nut (Black) (10pcs)	AXA435	M3x10mm Hex Socket Tapping Button Head (Black) (10pcs)
AX80002	Diff Case -Small	AXA436	M3x12mm Hex Socket Tapping Button Head (Black) (10pcs)
AX80006	Servo Set	AXA438	M3x18mm Hex Socket Tapping Button Head (Black) (10pcs)
AX80010	Gear Set	AXA440	M3x25mm Hex Socket Tapping Button Head (Black) (10pcs)
AX80018	Hardware Parts Tree	AXA441	M3x30mm Hex Socket Tapping Button Head (Black) (10pcs)
AX80033	10mm Shock Parts Tree 1	AXA464	M3x8mm Hex Socket Tapping Flat Head (Black) (10pcs)
AX80034	10mm Shock Parts Tree 2	AXA465	M3x10mm Hex Socket Tapping Flat Head (Black) (10pcs)
AX80035	10mm Shock Caps Parts Tree	AXA466	M3x12mm Hex Socket Tapping Flat Head (Black) (10pcs)
AX80036	72-103mm Shock Body		
AX80051	Dig Transmission Case		
AX80061	XR10 Steering Knuckles Set		
AX80062	XR10 C Hub Carrier Set		
AX80069	AR60 OCP Axle Housing		
AX80070	AR60 OCP Differential Cover		
AX80071	AR60 OCP Straight Axle Adapter		
AX80072	AR60 OCP 4-Link Mount		
AX80073	AR60 OCP Steering Link		
AX80074	Wraith Tube Frame Rails		
AX80075	Wraith Tube Frame Top		
AX80076	Wraith Tube Frame Shock Mount (Rear)		
AX80077	Wraith Tube Frame Bumper		
AX80078	Transmission Spur Gear Cover		
AX80079	Wraith Tube Frame Skid Plate/Battery Tray		
AX80081	Wraith Tube Frame Electronics Box		
AX80082	Wraith Tube Frame Brace Set		
AX80083	Wraith Links Set		
AX80087	Wraith Tube Frame Side (Left)		
AX80088	Wraith Tube Frame Side (Right)		
AX80089	Wraith Tube Frame Shock Mount (Front)		

Option Parts

Part #	Description	Part #	Description
AX04027	Wraith Body - .040" (Clear)	AX30793	Dig Component Set
AX08061	2.2 VWS Beadlock Wheels (Black) (2pcs) (Fits XR10)	AX30794	WB8 Driveshaft Set (2pcs)
AX08069	2.2 VWS Beadlock Rings (Black) (2pcs)	AX30797	Wraith™ Stage 1 Aluminum Links Kit
AX08132	2.2 VWS Machined Beadlock Rings (Orange) (2pcs)	AX30829	AR60 OCP Machined Low-Profile Differential Cover
AX08133	2.2 VWS Machined Beadlock Ring (Grey) (2pcs)	AX30830	Axial AR60 OCP Machined Link Mounts
AX08135	2.2 Raceline Renegade Wheels - 41mm Wide (Black) (2pcs)	AX30831	AR60 OCP™ Front Axle Set (Complete)
AX08137	2.2 Raceline Renegade Wheels - 41mm Wide (Chrome/Black) (2pcs)	AX30834	Aluminum Servo Horn 23T
AX08142	2.2 Trail Ready HD Series Beadlock w/Slim Ring - IFD™ Wheels - Chrome/Black(2pcs)	AX30835	Aluminum Servo Horn 24T
AX12015	2.2 Ripsaw Tires - R35 Compound (2pcs)	AX30836	Aluminum Servo Horn 25T
AX12022	2.2 Maxxis Trepador Tires - R35 Compound (2pcs)	AX30860	Machined Motor Plate (Hard Anodized)
AX24004	Axial 27T Electric Motor	AX31047	Brushless 3150KV Electric Motor
AX24007	Axial 55T Electric Motor	AX31097	3 Port High Output LED Controller
AX24010	Brushless 2900KV Electric Motor	AX31098	8 LED Light String (White LED)
AX24250	AE-1 Forward/Reverse ESC	AX31118	2.2 Walker Evans Wheels - IFD™ Wheels - Black(2pcs)
AX24251	Axial NVS - Night Visions System	AX31138	Aluminum Shock Body 12x59mm (2pcs)
AX24252	Axial Double LED Light String (White LED)	AX31152	Universal Rigid Light Bar Set
AX24253	Axial Double LED Light String (Red LED)	AX31155	Spring 14x90mm 1.14 lbs/in - Orange (2pcs)
AX24254	Axial Double LED Light String (Orange LED)	AX80045	Axial Light Bucket Set (Black)
AX24255	Axial Single LED Light String (White LED)	AX80047	Interior Details Parts Tree - Chrome
AX24256	Axial 5 LED Light String (White LED)	AX80049	Axial LED Lens Set - Yellow/Clear (4pcs)
AX24257	Simple LED Controller w/LED lights (4 white and 2 Red)	AX80080	Corbeau LG1 Seat (Grey) (2pcs)
AX24258	4 LED Light String (White LED)	AX80085	Universal Mount 5 Bucket Light Bar (Black)
AX24260	AE-3 Vanguard ESC	AX80086	Light Bar Lenses (Clear) (5pcs)
AX30031	Antenna	AX8091	Axial 2.2 Rockster Beadlocks (Black)
AX30091	67-90mm Shock Set - 10mm Piston (2pcs)	AX8092	Axial 2.2 Rockster Beadlocks (Chrome)
AX30092	Axial 72-103mm Shock Set - 10mm Piston (2pcs)	AX8095	Axial 2.2 Rockster Beadlocks (Black Chrome)
AX30103	Icon 61-90mm Aluminum Shock Set - 7mm piston (2pcs)	AX8097	2.2 8 Hole Beadlocks (Black)
AX30110	Axial Aluminum 13mm Aluminum Preload Collar (2pcs)	AX8112	2.2 Beadlock Ring - Grey (2pcs)
AX30111	Axial Aluminum Shock Cap (2pcs)	AX8117	2.2 Rock Beadlock Ring - Grey (2pcs)
AX30119	Aluminum Shock Body 12x41.5mm (2pcs)	AXA1076	Cap Head Washer M3x10mm (4pcs)
AX30120	Axial Aluminum Shock Body 12x47.5mm (2pcs)	AXA1105	Cone Washer 3x6.9x2mm - Grey (6pcs)
AX30218	Spring 14x70mm 2.07 lbs/in - Super Soft (Red) (2pcs)	AXA1331	Flanged Ball 3x5.8x7mm (6pcs)
AX30219	Spring 14x70mm 2.47 lbs/in - Soft (White) (2pcs)	AXA1412	0.5x6mm Spacer - Grey (6pcs)
AX30220	Spring 14x70mm 2.85 lbs/in - Medium (Green) (2pcs)	AXA1413	1x6mm Spacer - Grey (6pcs)
AX30221	Spring 14x70mm 3.27 lbs/in - Firm (Yellow) (2pcs)	AXA1414	2x6mm Spacer - Grey (6pcs)
AX30222	Spring 14x70mm 3.55 lbs/in - Super Firm (Blue) (2pcs)	AXA1415	3x6mm Spacer - Grey (6pcs)
AX30223	Spring 14x70mm 1.04 lbs/in - Black (2pcs)	AXA1416	4x6mm Spacer - Grey (6pcs)
AX30225	Spring 14x70mm 1.75 lbs/in - Orange (2pcs)	AXA1417	5x6mm Spacer - Grey (6pcs)
AX30395	Heavy Duty Bevel Gear Set - 38T/13T	AXA1418	6x6mm Spacer - Grey (6pcs)
AX30401	Heavy Duty Bevel Gear Set - 36T/14T	AXA1419	7x10mm Post - Grey (2pcs)
AX30402	Heavy Duty Bevel Gear Set - 43T/13T	AXA1420	7x15mm Post - Grey (2pcs)
AX30414	AX10 Scorpion Slipper Clutch Set	AXA1421	7x20mm Post - Grey (2pcs)
AX30438	Machined Shock Piston 10mm - 1.2x2 (4pcs)	AXA1422	7x25mm Post - Grey (2pcs)
AX30465	Machined hi-clearance Links - Green (2pcs)	AXA1423	7x30mm Post - Grey (2pcs)
AX30468	Machined hi-clearance Links - Orange (2pcs)	AXA1424	7x35mm Post - Grey (2pcs)
AX30469	Machined Hi-Clearance Links - Grey (2pcs)	AXA1425	7x40mm Post - Grey (2pcs)
AX30482	AX10 Scorpion Motor Plate	AXA1426	7x45mm Post - Grey (2pcs)
AX30545	2.2 Internal Wheel Weight Ring 57g/2oz (2pcs)	AXA1427	7x50mm Post - Grey (2pcs)
AX30546	2.2 Internal Wheel Weight Insert 21g/0.75oz (4pcs) (for use with AX30545)	AXA1428	7x55mm Post - Grey (2pcs)
AX30708	AX10 Locked Transmission - Complete Metal Gear Set - Steel (3pcs)	AXA1429	7x60mm Post - Grey (2pcs)
AX30709	Universal 5 Bucket Light Bar Set	AXA1430	7x65mm Post - Grey (2pcs)
AX30722	Pinion Gear 32P 11T (3mm shaft)	AXA1431	7x70mm Post - Grey (2pcs)
AX30724	Pinion Gear 32P 13T (3mm shaft)		
AX30725	Pinion Gear 32P 14T (3mm shaft)		
AX30726	Pinion Gear 32P 15T (3mm shaft)		
AX30727	Pinion Gear 32P 16T (3mm shaft)		
AX30728	Pinion Gear 32P 17T (3mm shaft)		
AX30741	Spur Gear 32P 48T		
AX30742	Spur Gear 32P 50T		
AX30743	Spur Gear 32P 52T		
AX30744	Spur Gear 32P 54T		
AX30760	XR10 Aluminum Steering Knuckle (Black) (2pcs)		
AX30762	XR10 Aluminum C-Hub Carrier (Black) (2pcs)		
AX30780	AR60 OCP Universal Axle Set		
AX30781	Sway Bar Kit Front (Soft, Medium, Firm)		
AX30782	Sway Bar Kit Rear (Soft, Medium, Firm)		
AX30786	WB8 Driveshaft Retainer Ring (Aluminum) (2pcs)		
AX30789	AR60 OCP Aluminum Straight Axle Hub Carrier (2pcs)		
AX30790	Machined Heavy Duty Aluminum Straight Link 101mm - Grey (2pcs)		
AX30791	Hi-Clearance Threaded Aluminum Link 7x85mm - Grey (2pcs)		
AX30792	Threaded Aluminum Link 7x87.5mm - Grey (2pcs)		



EXPLORE

facebook.com/axialinc | twitter.com/axialrc | youtube.com/axialvideos | flickr.com/axialrc