



BUILDER'S KIT

TRAIL PROVEN OFF-ROAD PERFORMANCE

SCX10™

SCX10 II™ 2000 JEEP® CHEROKEE


1/10th SCALE ELECTRIC 4WD - KIT



www.axialracing.com

SCX10

CAUTIONS

 **To prevent serious personal injury and/or property damage, operate all remotely controlled models in a responsible manner as outlined herein.**

CHOOSE THE RIGHT PLACE TO OPERATE YOUR R/C MODEL.

- Do not run on public streets or highways. This could cause serious accidents, personal injuries, and/or property damage.
- Never run R/C models near people or animals.
- To avoid injury, do not run in confined spaces.
- Do not run where loud noises can disturb others, such as hospitals and residential areas.
- Never run indoors. There is a high risk of fire and/or damage.


INSPECT YOUR MODEL BEFORE OPERATION.

- Make sure that all screws and nuts are properly tightened. It is also a good idea to use removable thread lock wherever metal screws go into metal, especially for engine mounts and the engine pilot shaft.
- Always use fresh batteries for your transmitter and for your receiver to avoid losing control of the model.
- Always test the brakes and throttle before starting your engine to avoid losing control of the model.
- Make sure no one else is using the same radio frequency as you are using.

AFTER OPERATION OF YOUR R/C MODEL

- Disconnect the battery from the ESC, then turn off the transmitter. This will prevent runaways.
- Be careful when handling batteries, they will be hot after running.
- Replace any batteries that have been dented or have frayed wires, short circuits can cause fire.
- Be sure to keep your R/C model clean and free of excess dirt and grease, this will increase the life.

VORSICHT!

 **Um Verletzungen an Personen und/oder Sachschäden zu vermeiden, sollten alle ferngesteuerten Modelle sorgfältig und verantwortungsbewusst bedient werden, wie nachfolgend beschrieben.**

Wählen Sie den richtigen Platz zum Fahren

- Fahren Sie niemals auf öffentlichen Straßen. Dies könnte Verkehrsunfälle, Personen schäden oder Sachschäden verursachen.
- Fahren Sie niemals in der Nähe von anderen Personen oder Tieren.
- Fahren Sie niemals auf belebten Straßen.
- Fahren Sie nie in der Nähe von Wohnhäusern oder Krankenhäusern. Der Lärm könnte andere Personen stören.
- Fahren Sie niemals in Innenräumen. Dort könnte etwas beschädigt werden.


Überprüfen Sie Ihr Modell, bevor Sie es in Betrieb nehmen.

- Gehen Sie sicher, dass alle Schrauben und Muttern festgezogen sind. Verwenden Sie überall dort Schrauben-Sicherungslock, wo Metallschrauben in ein Metallgewinde greifen, besonders bei den Motorhaltern.
- Um Störungen zu vermeiden, benutzen Sie immer voll geladene Akkus in Ihrem Sender und Empfänger.
- Bevor Sie den Motor starten, sollten Sie immer die Funktion der Bremse und des Gashebels testen.
- Gehen Sie sicher, dass niemand mit der gleichen Frequenz fährt wie Sie.

Nach Betrieb des RC Modells:

- Zuerst den Empfänger abdrehen, dann den Sender abdrehen um unkontrolliertes Durchgehen zu vermeiden.
- Seien Sie vorsichtig mit gebrauchten Akkus, sie können nach dem Gebrauch heiß sein.
- Ersetzen Sie Akkus/Batterien die beschädigt sind oder schadhafte Kabel aufweisen, sie können Kurzschlüsse oder Feuer verursachen.
- Halten Sie Ihr Fahrzeug sauber und entfernen Sie Schmutz und Schmierfett, damit erhöhen Sie die Lebensdauer Ihres Modells.

PRECAUTIONS

 **Afin d'éviter toutes blessures corporelles et/ou dommages environnants, veuillez procéder en toute responsabilité comme indiqué ci-dessous**

Choisir le lieu adéquat pour faire rouler votre modèle.

- Ne jamais rouler dans les rues ou sur les routes ouvertes au public. Ceci peut provoquer de graves accidents.
- Ne jamais rouler près de personnes ou d'animaux.
- Pour éviter les blessures, ne pas rouler dans des espaces confinés.
- Ne jamais rouler où le bruit peut déranger, comme aux abords des hôpitaux ou des quartiers résidentiels.
- Ne jamais rouler à l'intérieur: les gaz d'échappement sont nocifs.

Controler votre modèle avant chaque utilisation.

- Vérifier que les vis et les écrous sont bien serrés. Il est très fortement conseillé d'utiliser du frein filet pour bloquer les vis qui sont en contact avec du métal et tout particulièrement les vis du moteur.
- Toujours utiliser des batteries bien chargées pour l'émission et la réception.
- Toujours vérifier les freins et la commande des gaz avant de démarrer.
- Vérifier qu'aucune autre personne n'utilise votre fréquence radio.

Après l'Opération De Votre Modèle de R/C

- Le virage du récepteur premier, alors virage de l'émetteur, ceci empêchera des fugitifs.
- Faire attention en contrôlant des piles, ils auront chaud après avoir couru.
- Remplacer n'importe quelles piles qui ont été cabossées ou a éraillé des fils, les court-circuits peuvent causer le feu.
- Etre sûr de garder votre modèle de R/C nettoie et libère de terre et la graisse supplémentaires, ceci augmentera la vie.

Radio Gear / Fernsteueranlage / Equipement Radio

Radio control system

• You will need a 2-Channel radio system with one servo, receiver, an electronic speed control with an ON/OFF switch.

Fernsteueranlage

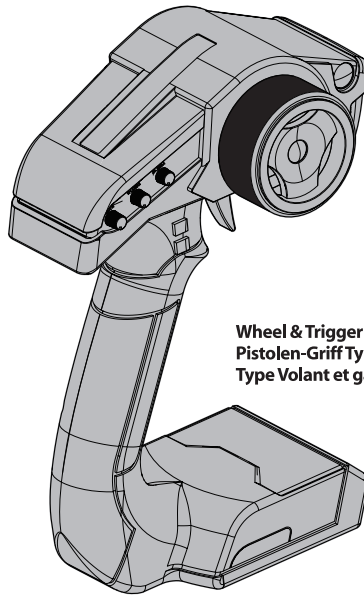
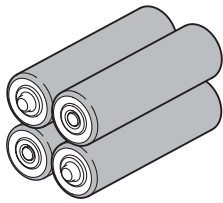
• Sie werden ein 2-Kanal Radio System mit einem Servo, Empfänger, eine elektronische Geschwindigkeitssteuerung mit einem Netzschalter brauchen.

Ensemble radiocommande

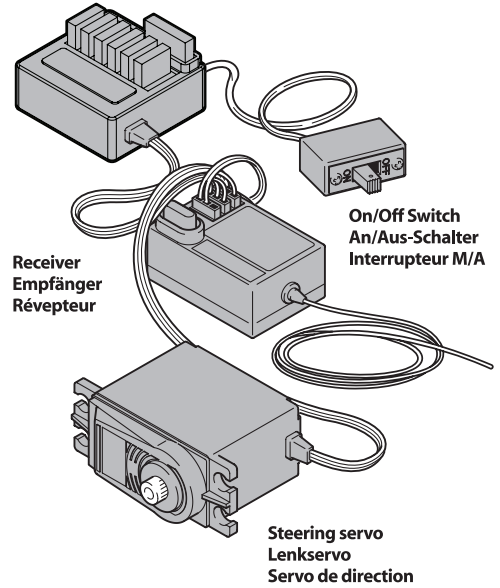
• Vous aurez besoin d'un système de radio de 2 Chaines avec un servo, le récepteur, un contrôle de vitesse électronique avec un interrupteur(on-off).

- 4AA Alkaline Dry Batteries.
- 4 St. AA Trockenbatterien.
- 4 piles type R6 pour votre radio commande.

4x



Wheel & Trigger Type
Pistolen-Griff Typ
Type Volant et gachette



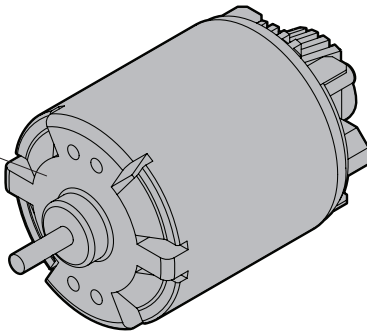
Receiver
Empfänger
Récepteur

On/Off Switch
An/Aus-Schalter
Interrupteur M/A

Steering servo
Lenkservo
Servo de direction

Motor / Motoren / Moteur

540 Size

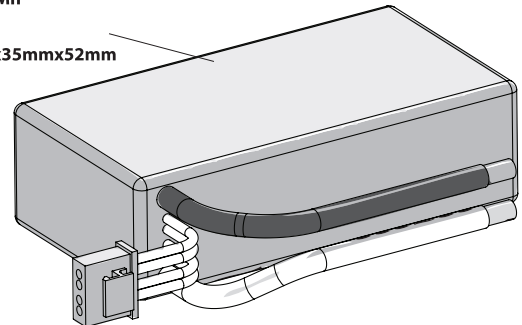


Battery / Akku / Batterie

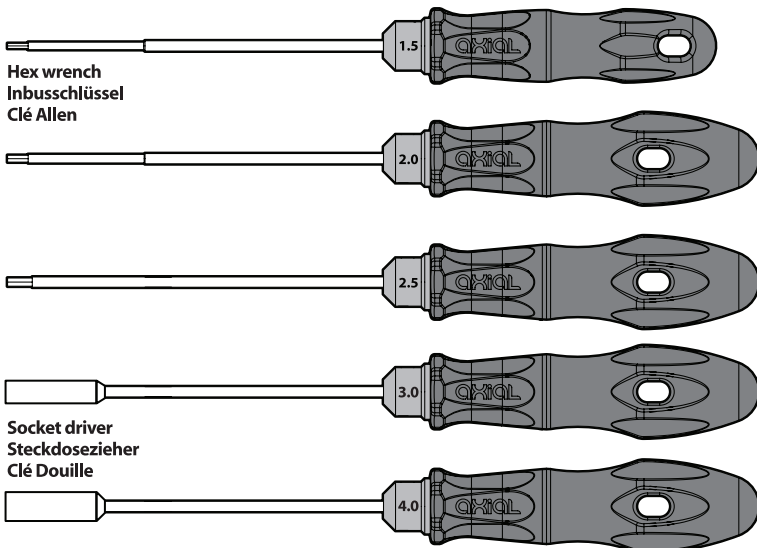
Battery / Akku / Batterie

Recommended Battery:
Standard 6-cell NiMH
Standard 2S Lipo

Max Size: 149mmx35mmx52mm

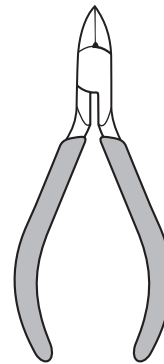


Tools Recommended / Benötigte Werkzeuge / Outillage

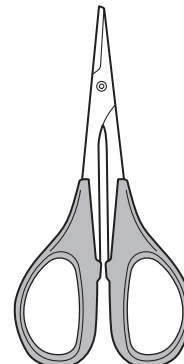


Hex wrench
Inbusschlüssel
Clé Allen

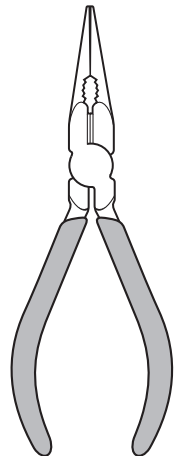
Socket driver
Steckdosezieher
Clé Douille



Side cutter
Seitenschneider
Pincès coupantes

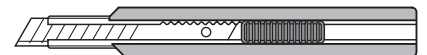


Curved scissors
Schere
Ciseaux

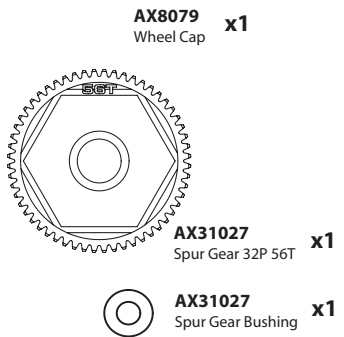
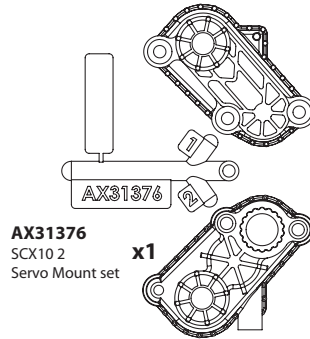
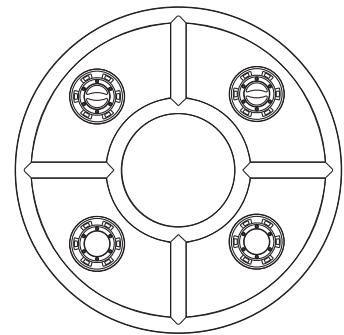
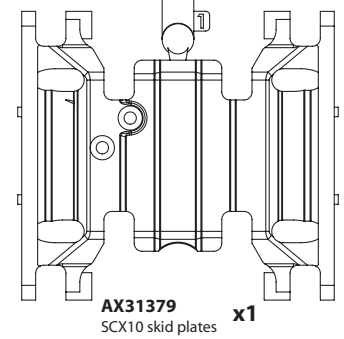
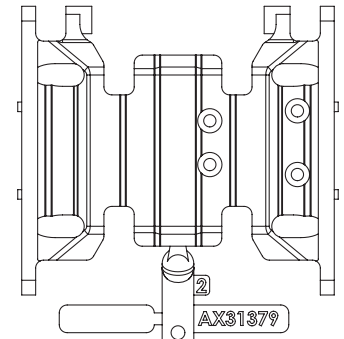
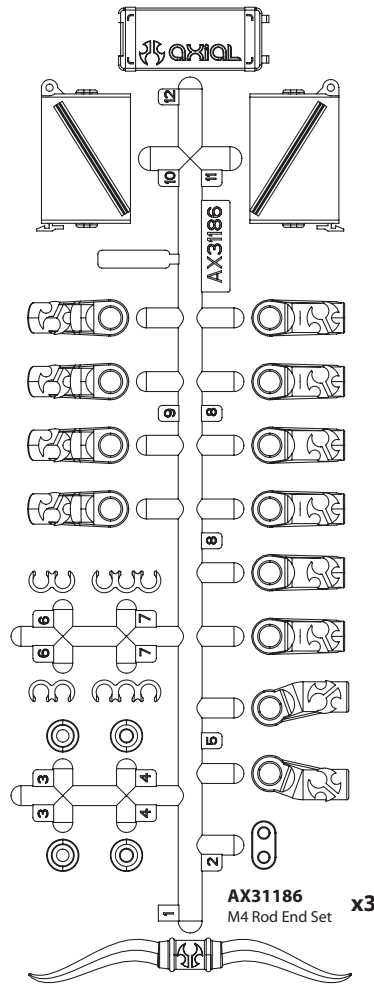
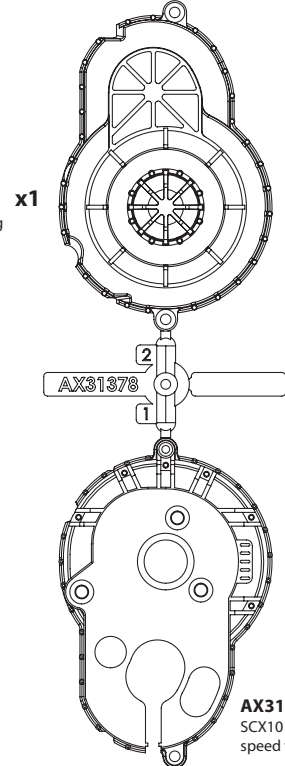
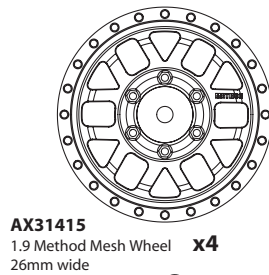
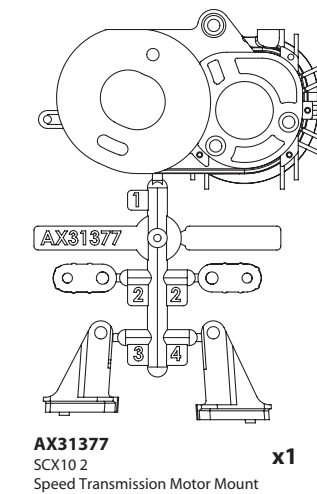
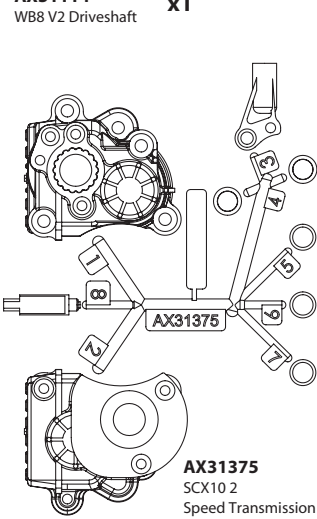
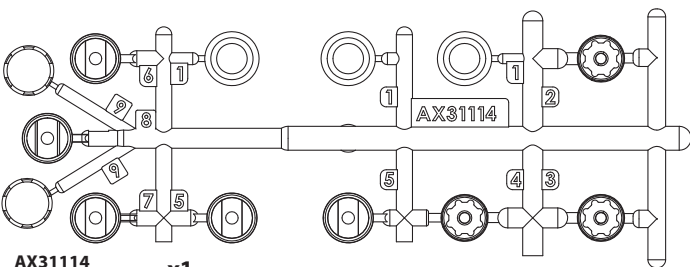
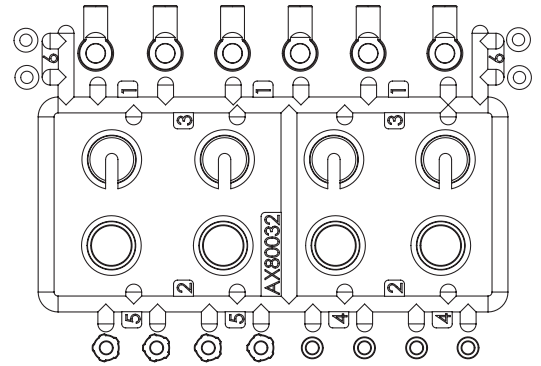
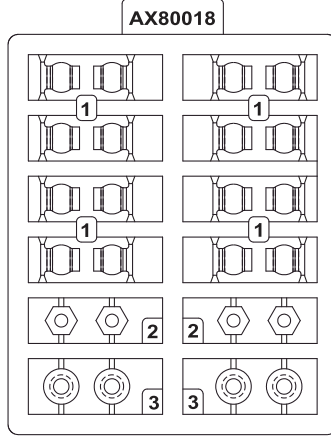
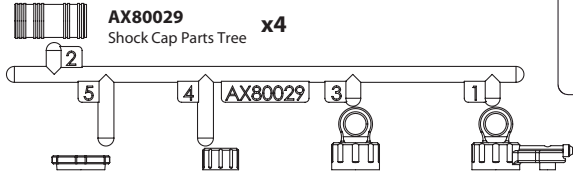
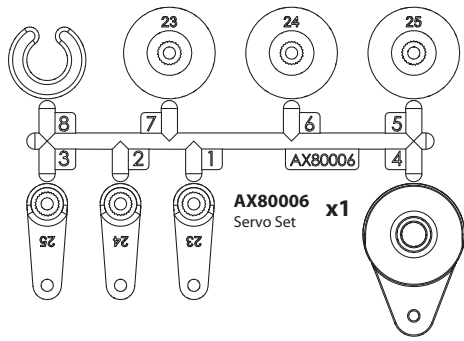


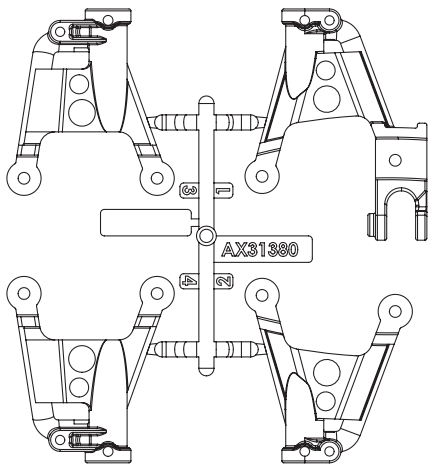
Long nose pliers
Flachzange
Pincès à becs longs

Modeling knife
Modelliermesser
Couteau de modéliste



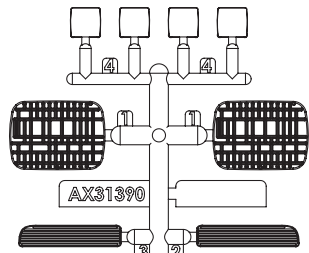
Parts Reference / Übersicht aller Teile / Référence des pièces





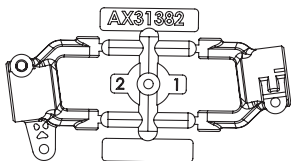
AX31380
SCX10 2 shock hoops **x1**

AX31381
AR44 Steering Knuckles **x1**

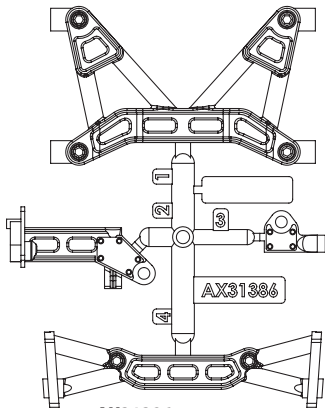


AX31390
Jeep Cherokee Lens Set **x1**

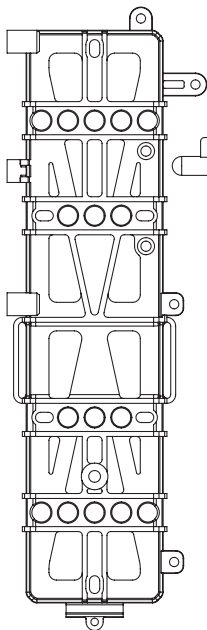
AX31387
SCX10 2 Servo Mount set **x1**



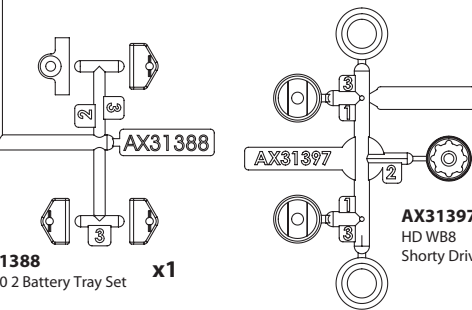
AX31382
AR44 Knuckle Carrier **x1**



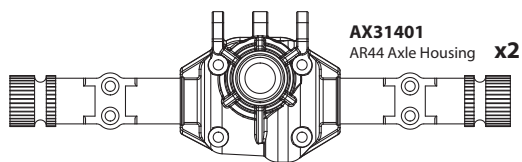
AX31386
SCX10 2 Brace Set **x1**



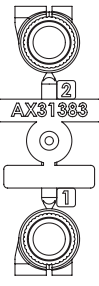
AX31388
SCX10 2 Battery Tray Set **x1**



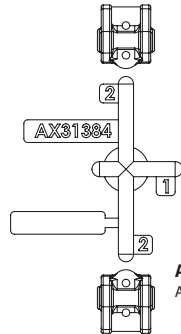
AX31397
HD WB8 Shorty Driveshaft Set **x1**



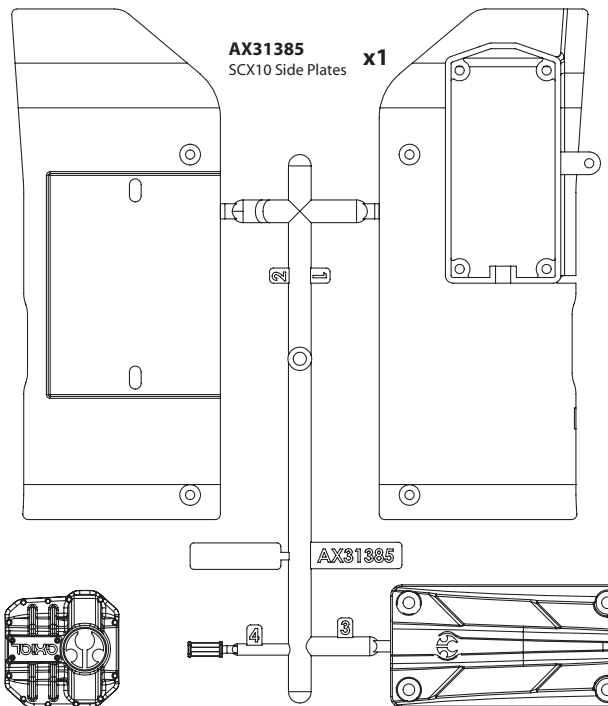
AX31401
AR44 Axle Housing **x2**



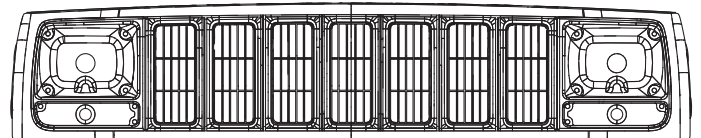
AX31383
AR44 Straight Axle adapters **x1**



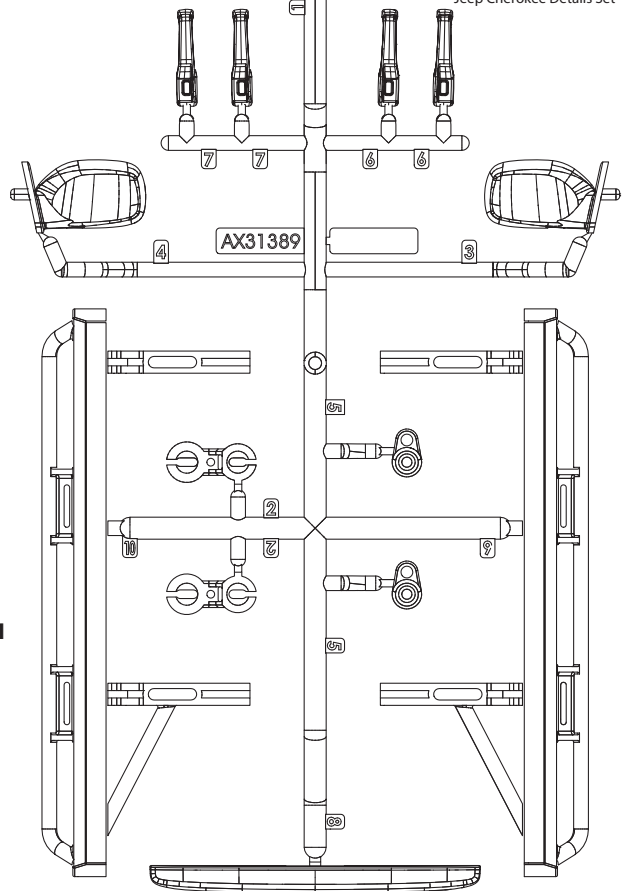
AX31384
AR44 Diff Cover/Link Mounts **x2**



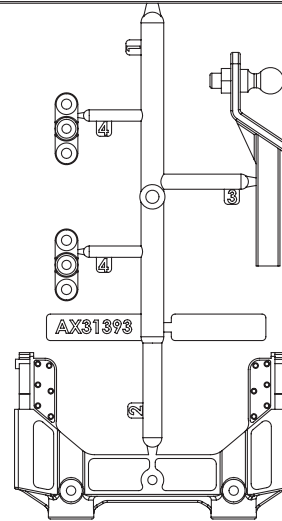
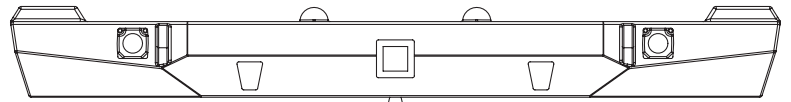
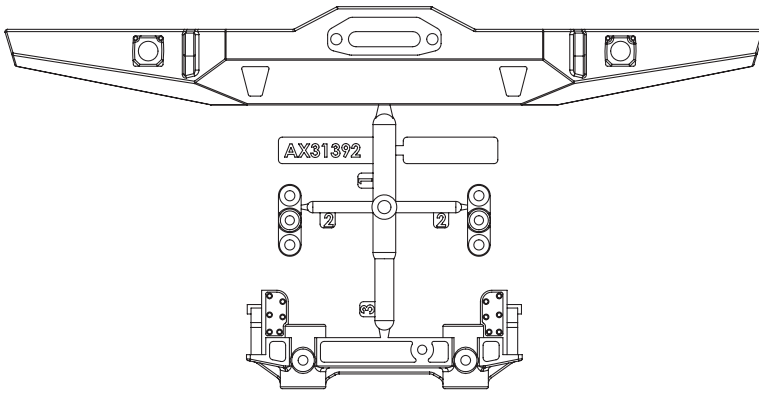
AX31385
SCX10 Side Plates **x1**



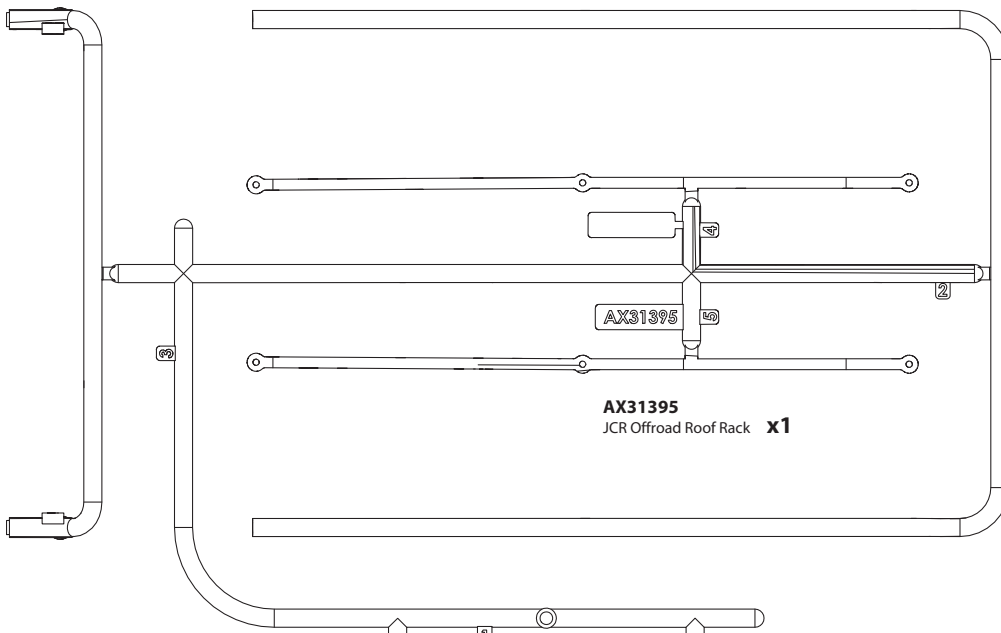
AX31389
Jeep Cherokee Details Set **x1**



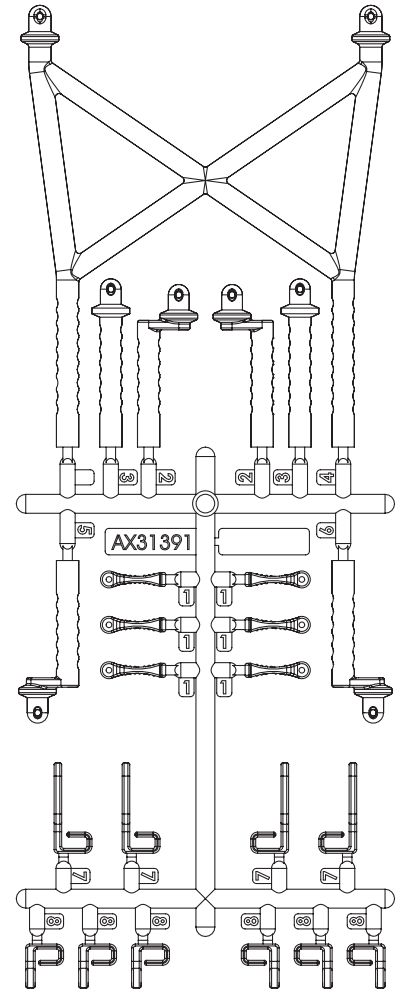
AX31392
 JCR Vanguard
 Front Bumper Set **x1**



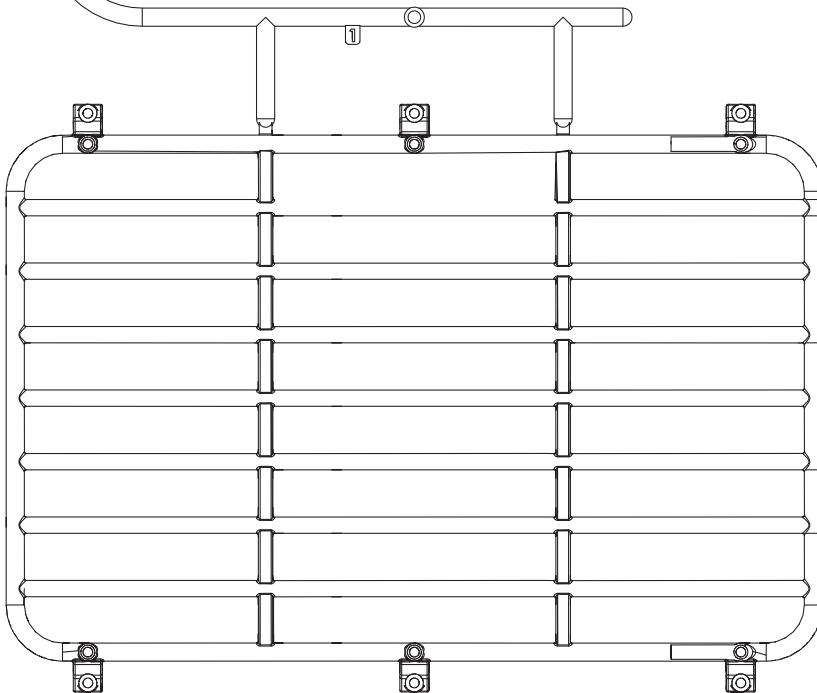
AX31393
 JCR Vanguard
 Rear Bumper Set **x1**

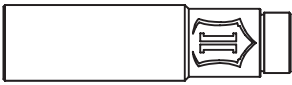


AX31395
 JCR Offroad Roof Rack **x1**

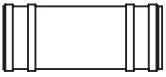


AX31391
 SCX10 2 Body Posts Set **x1**

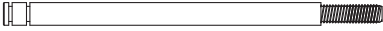




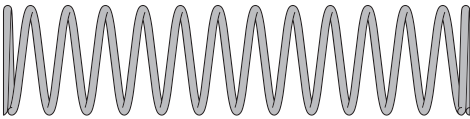
AX30130
Icon Aluminum Shock Body 10x38mm **x4**



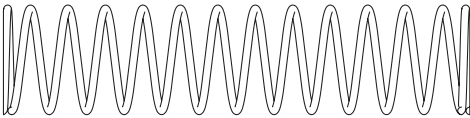
AX30131
Icon Aluminum Reservoir **x4**



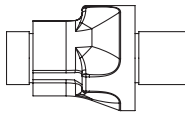
AX30146
Shock Shaft 3x50mm **x4**



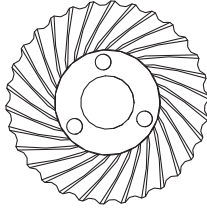
AX31145
Spring 12.5x60mm 2.63 lbs/in - (Yellow) **x2**



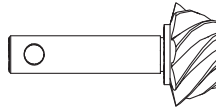
AX31441
Spring 12.5x60mm 1.13 lbs/in - (White) **x2**



AX31404
Axle Locker **x2**



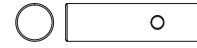
AX31405
30T Ring Gear 0.9 Module - 3.75 ratio **x2**



AX31405
8T Pinion Gear 0.9 module - 3.75 ratio **x2**



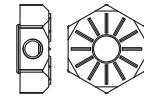
AX31410
Transfer case output shaft **x1**



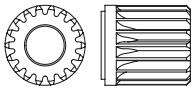
AX31411
3x18 Shaft **x1**



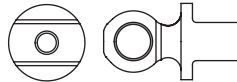
AX30413
Spring 8.5x12 **x1**



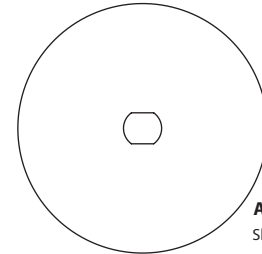
AX30427
12mm Aluminum Hub **x4**



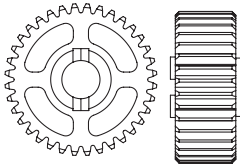
AX31126
18T 48P 2 Speed Gear **x1**



AX31148
WB8-HD Joint Male Universal **x4**



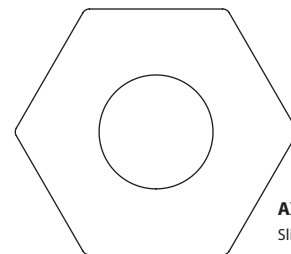
AX31026
Slipper Plate **x2**



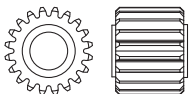
AX31416
36T 32P Gear **x1**



AX31148
WB8-HD Joint 10X15mm **x4**



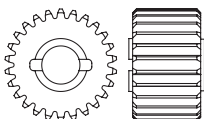
AX31068
Slipper Pad **x2**



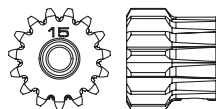
AX30394
20T Drive Gear **x2**



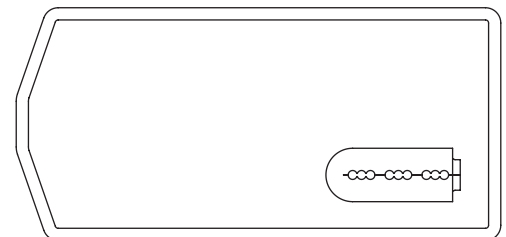
AX31148
4.5x6.5mm Joint Pin **x4**



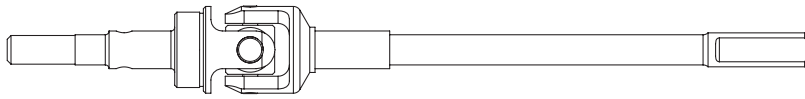
AX31409
26T 48P Gear **x1**



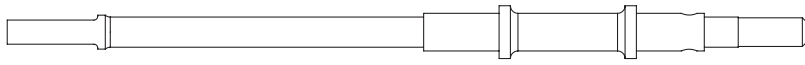
AX30726
Pinion 32P 15T **x1**



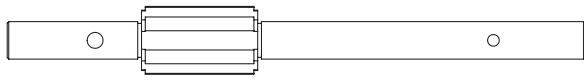
AX31083
Radio Box Seals **x1**



AX31402
AR44 UVJ Axle Assembly **x2**



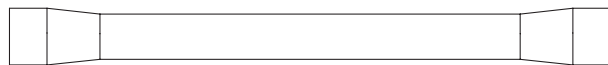
AX31408
AR44 Rear Axle Shaft **x2**



AX31413
2 Speed Bottom Shaft **x1**



AX31414
2 Speed Top Shaft **x1**



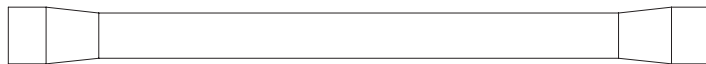
AX31419
7.5x80mm link **x2**



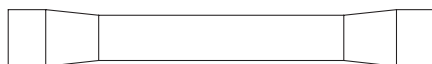
AX31420
7.5x101.5mm link **x2**



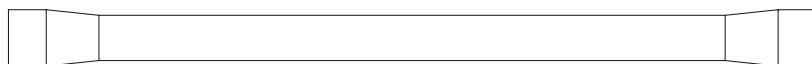
AX31421
7.5x71mm link **x1**



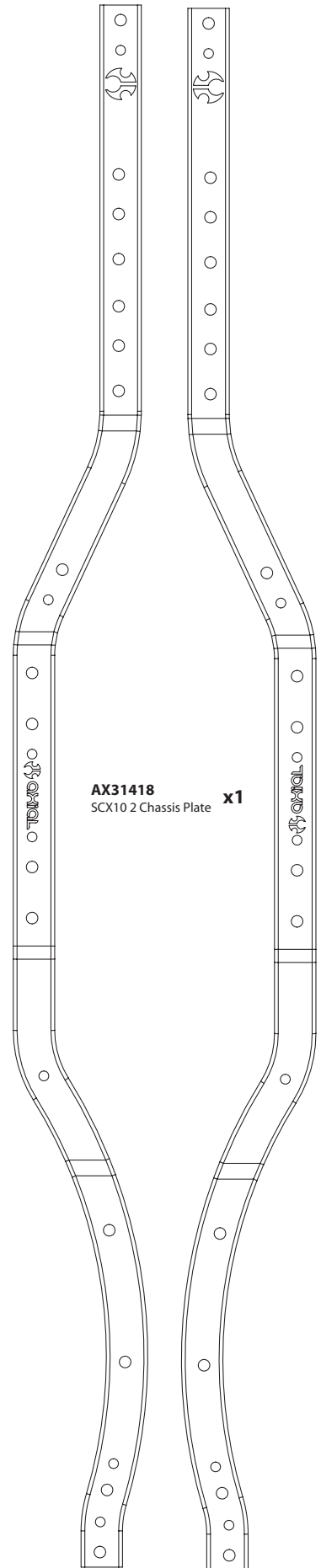
AX31422
7.5x93mm link **x2**




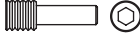
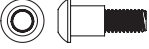


















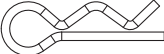






















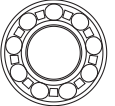

AX31423
7.5x56.5mm link **x2**

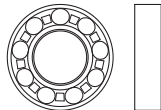
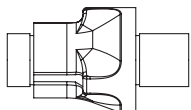
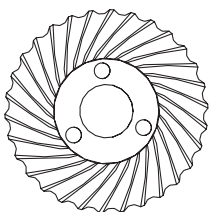
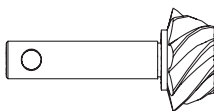
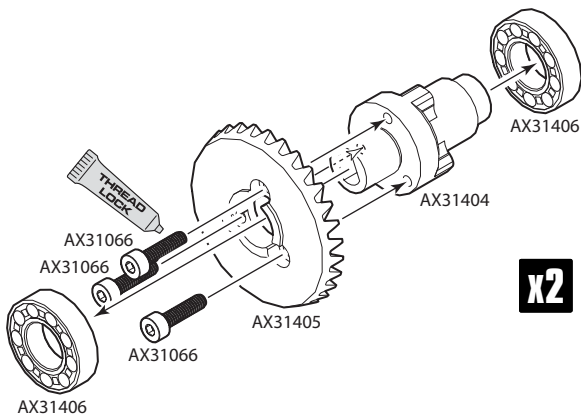
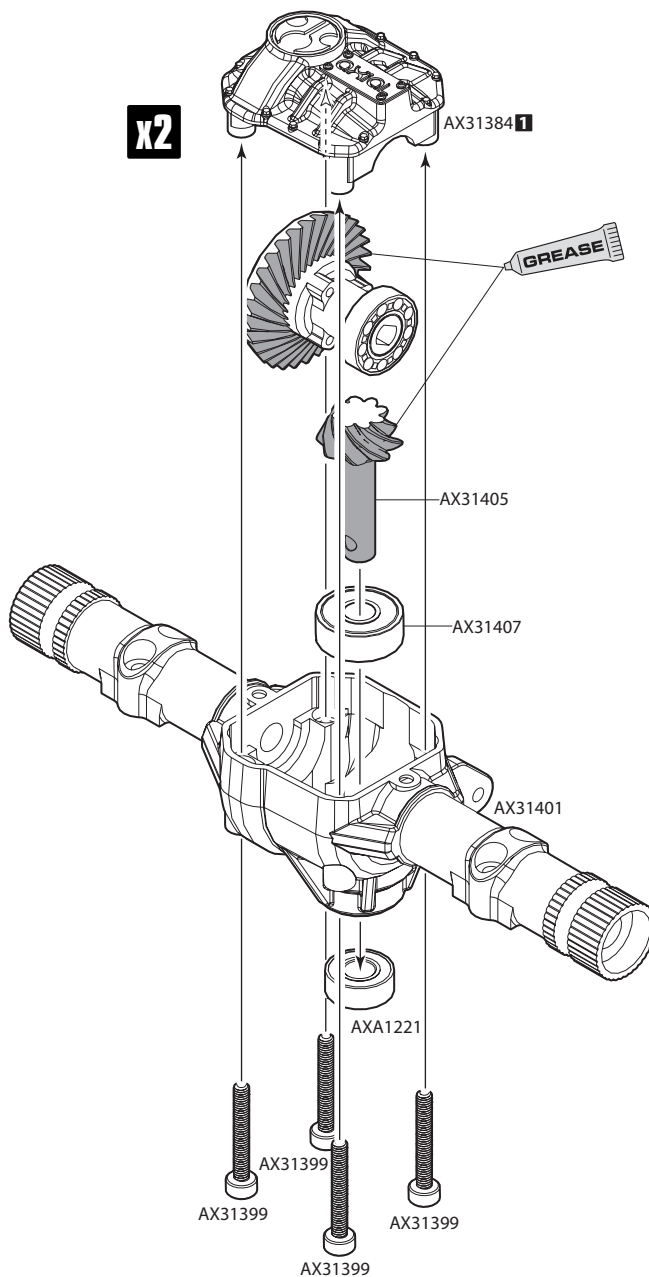


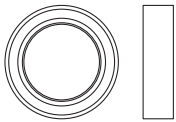
AX31424
7.5x107mm link - steering **x1**



AX31418
SCX10 2 Chassis Plate **x1**

	AXA1179 O-Ring 2.5x1.5mm	x12		AXA0286 Screw Shaft M4x2.5x13mm	x13		AX31403 Shoulder Screw M3x4.5x10mm	x4
	AXA1163 O-Ring 7x1mm	x4		AXA180 M3x3mm Set Screw	x4		AXA013 M2x6mm Hex Socket Cap Head	x6
	AXA1070 Washer 3x6x0.5mm	x1		AXA291 M4x4mm Set Screw	x1		AX31066 M2x8mm Hex Socket Cap Head	x6
	AX30162 Pin 1.5x8mm	x3		AX31343 M4x20mm Set Screw	x20		AX31398 M2.6x12mm Hex Socket Cap Head	x8
	AX30168 Pin 2x8mm	x2		AX31194 M2.6x4mm Hex Socket Button Head	x2		AX31399 M2.6x18mm Hex Socket Cap Head	x8
	AX30163 Pin 2x10mm	x4		AX31280 M2.6x6mm Hex Socket Button Head	x4		AXA087 M3x16mm Hex Socket Cap Head	x4
	AX31028 PIN 2.0 x11	x4		AX31373 M2.6x8mm Hex Socket Button Head	x19		AXA0109 M3x10mm Oversized Flat Hex Socket	x10
	AXA1059 6mm Body Clip	x5		AXA0113 M3x6mm Hex Socket Button Head	x3		AX31372 M2.6x8mm Hex Socket Flat Head	x9
	AX31374 3mm Body Clip	x4		AXA114 M3x8mm Hex Socket Button Head	x7		AXA0055 M2.6x12mm Hex Socket Flat Head	x2
	AXA1392 E2 e-clip	x8		AXA115 M3x10mm Hex Socket Button Head	x8		AXA144 M3x8mm Hex Socket Flat Head	x5
	AXA1045 M4 Nylon Lock Nut	x5		AXA116 M3x12mm Hex Socket Button Head	x3		AX31120 M3x10mm Hex Socket Flat Head	x4
	AXA1052 M3 Thin Nylon Locking Nut	x1		AXA117 M3x15mm Hex Socket Button Head	x24		AXA146 M3x12mm Hex Socket Flat Head	x10
	AXA1218 Bearing 5x10x4mm	x6		AXA118 M3x18mm Hex Socket Button Head	x3		AXA148 M3x18mm Hex Socket Flat Head	x11
	AXA1221 Bearing 5x11x4mm	x12		AXA119 M3x20mm Hex Socket Button Head	x2		AXA150 M3x25mm Hex Socket Flat Head	x2
	AXA1230 Bearing 10x15x4mm	x2		AXA120 M3x25mm Hex Socket Button Head	x2			
	AX31406 Bearing 7x14x3.5mm	x4						
	AX31407 Bearing 5x14x5mm	x2						

A**Open Bag A****1****Open Plastic Bag 1****AX31066**
M2.6x8mm **x6****AX31406**
7x14x3.5mm **x4****AX31404**
Axle Locker **x2****AX31405**
30T Ring Gear -0.9 Module - 3.75 ratio **x2****AX31405**
8T Pinion Gear 0.9 module - 3.75 ratio **x2****AX31399**
M2.6x18mm **x8****AXA1221**
5x11x4mm **x2****AX31407**
5x14x5mm **x2****1****x2****2**



AXA1230
10x15x4mm **x2**

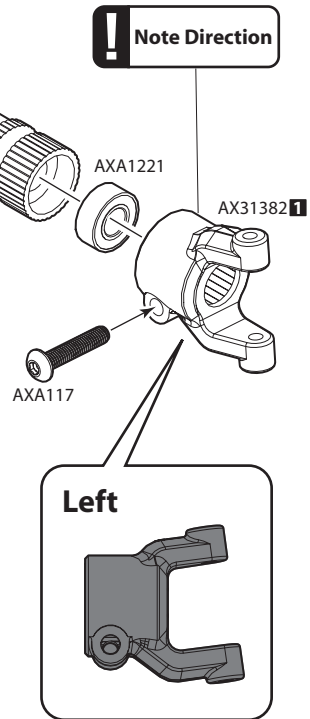
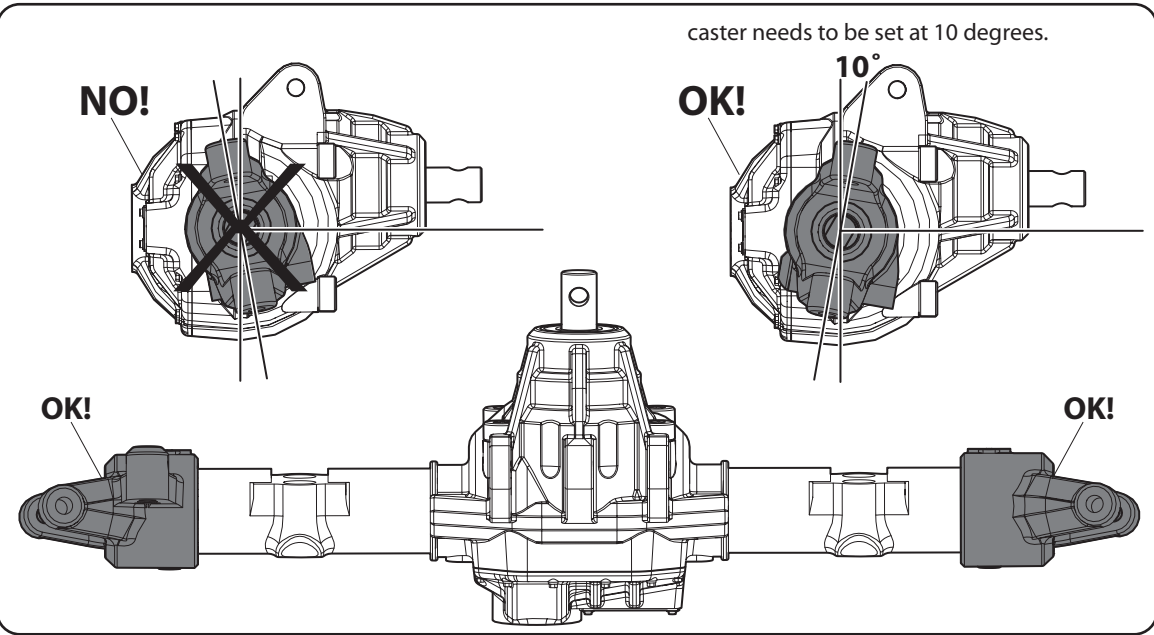
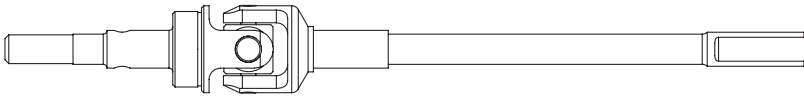
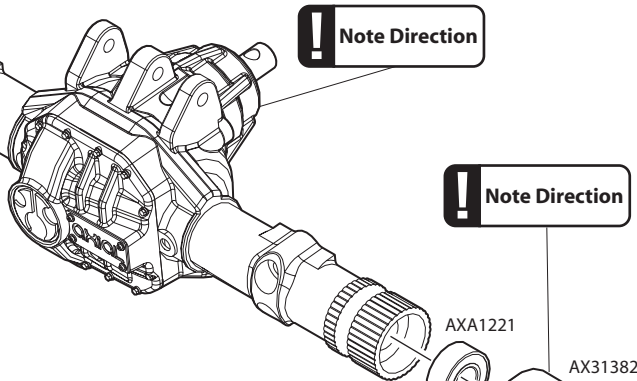
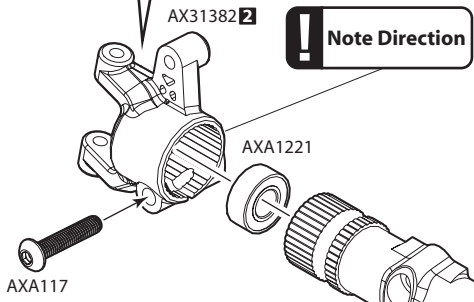
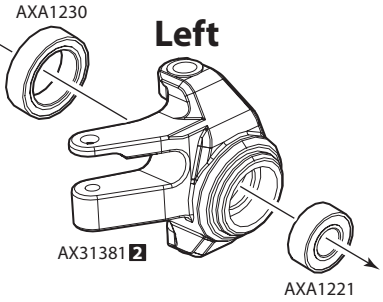
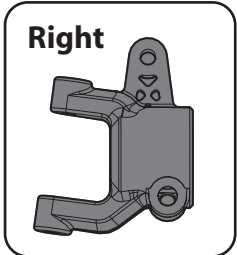
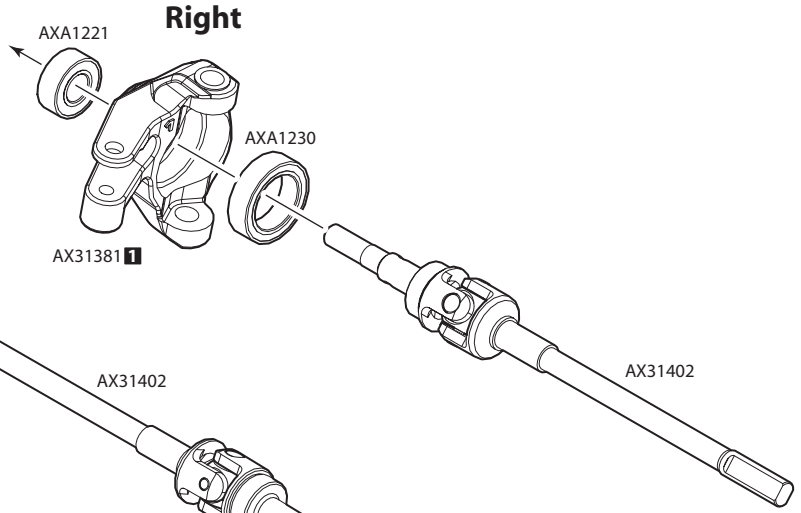


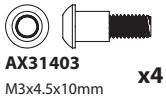
AXA1221
5x11x4mm **x4**



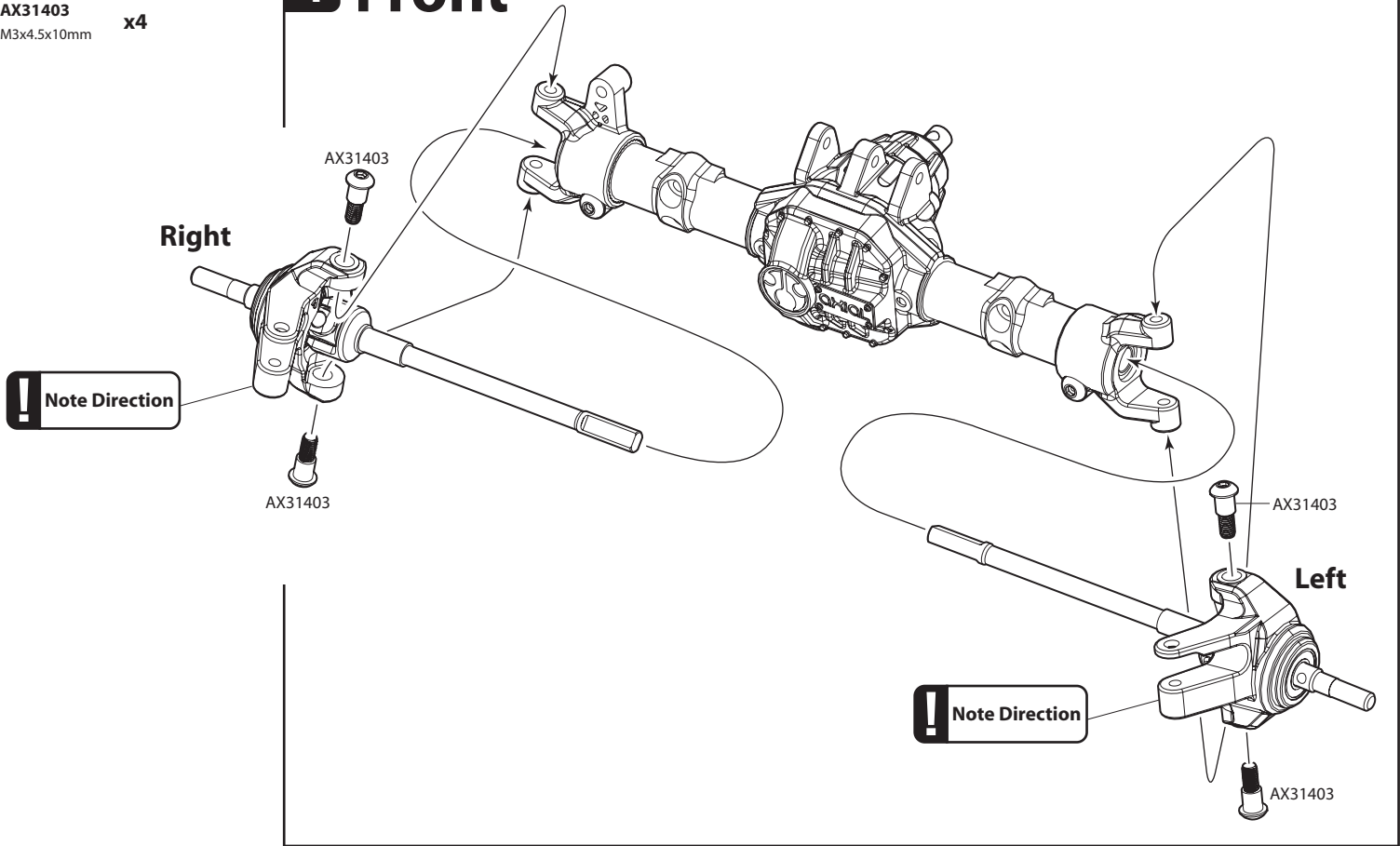
AXA117
M3x15mm **x2**

3 Front

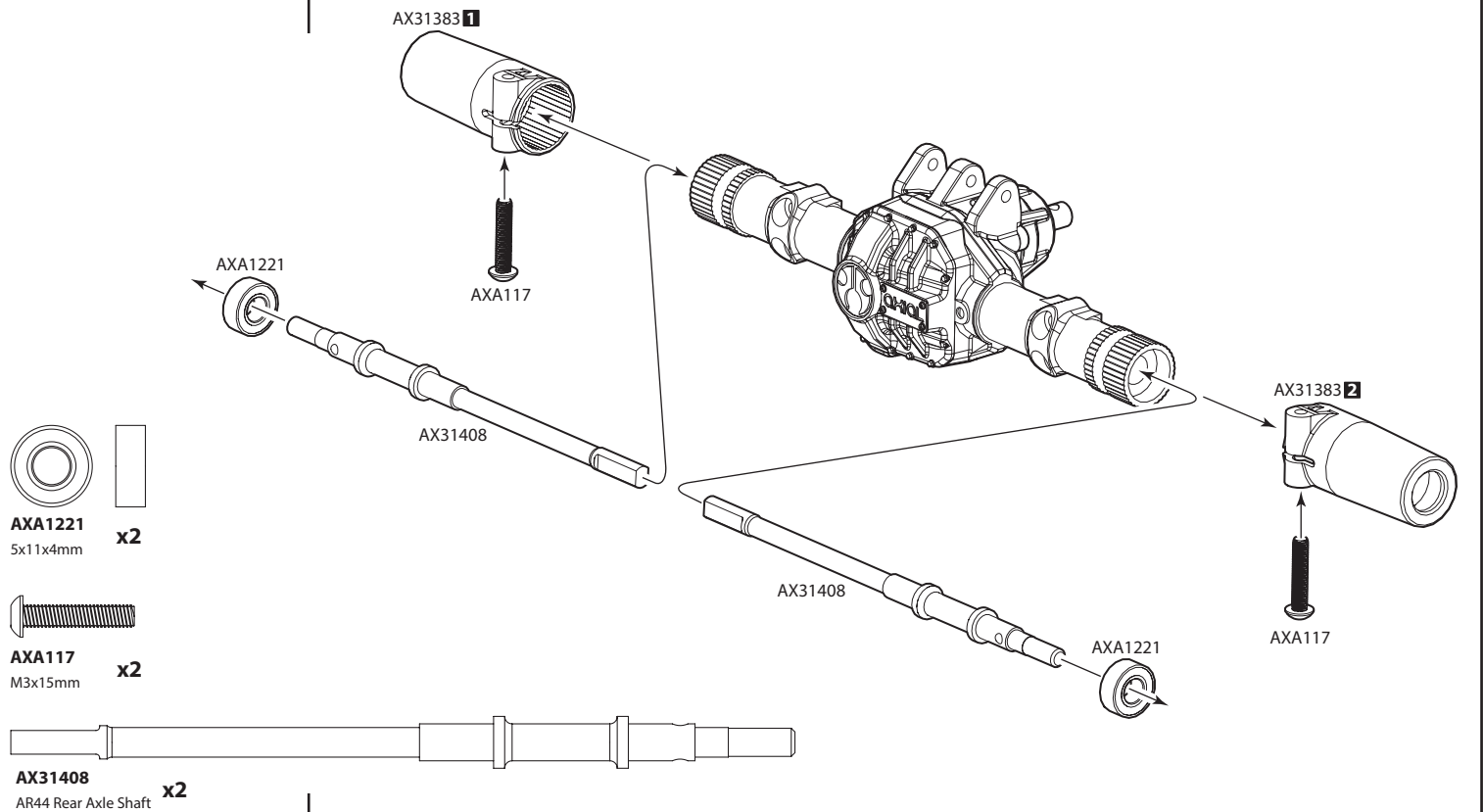




4 Front



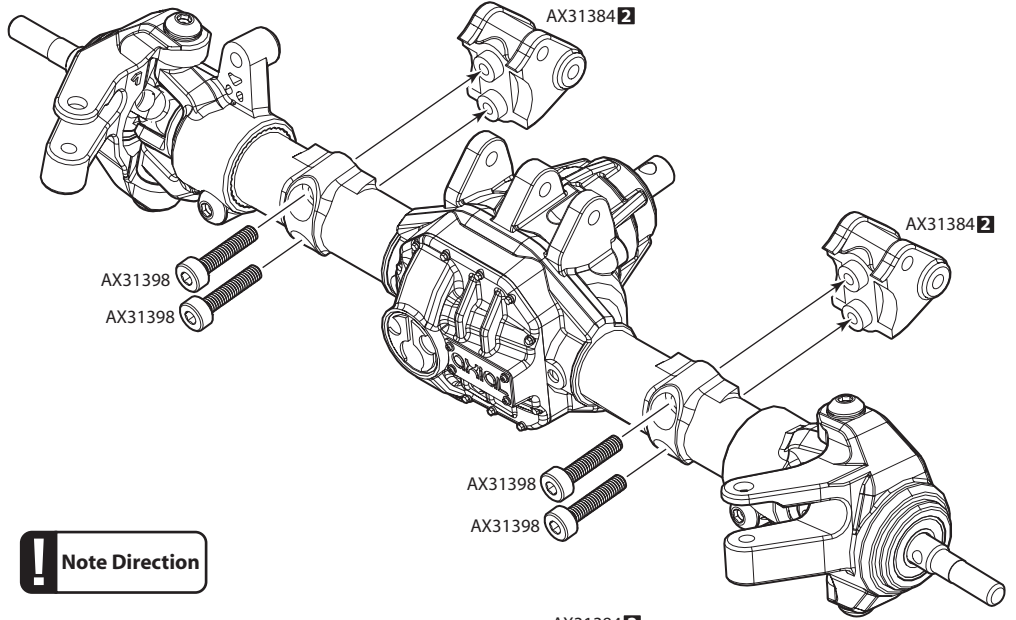
5 Rear



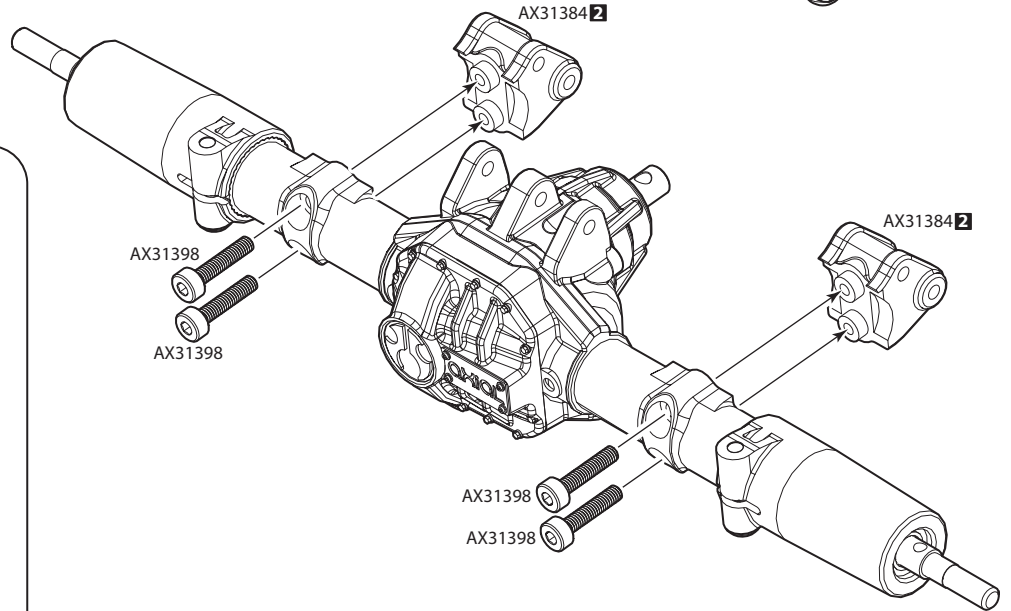


AXA31398 x8
M2.6x11mm

6

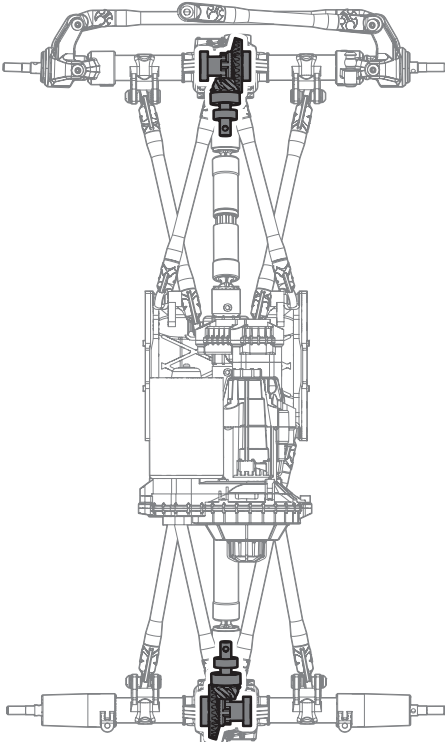


Note Direction

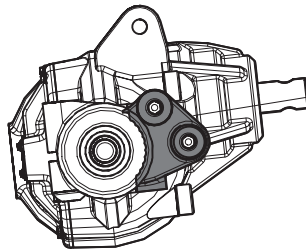


Note Direction of differential gears.

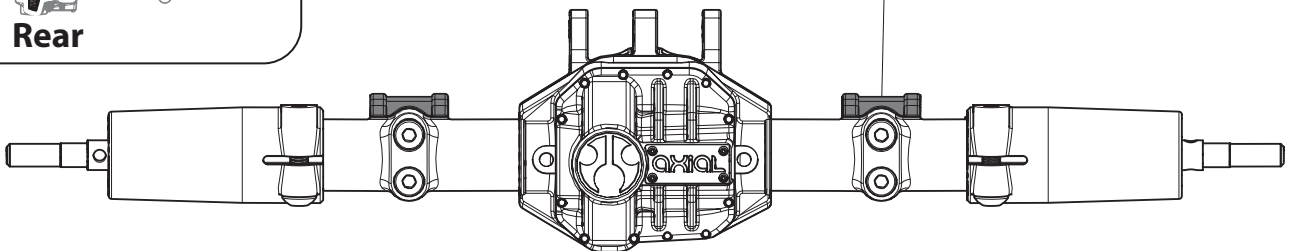
Front

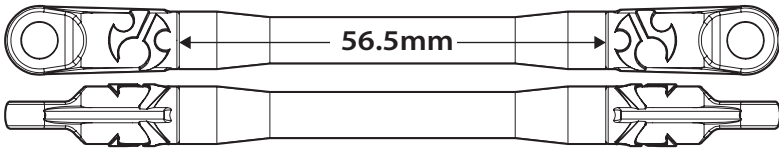
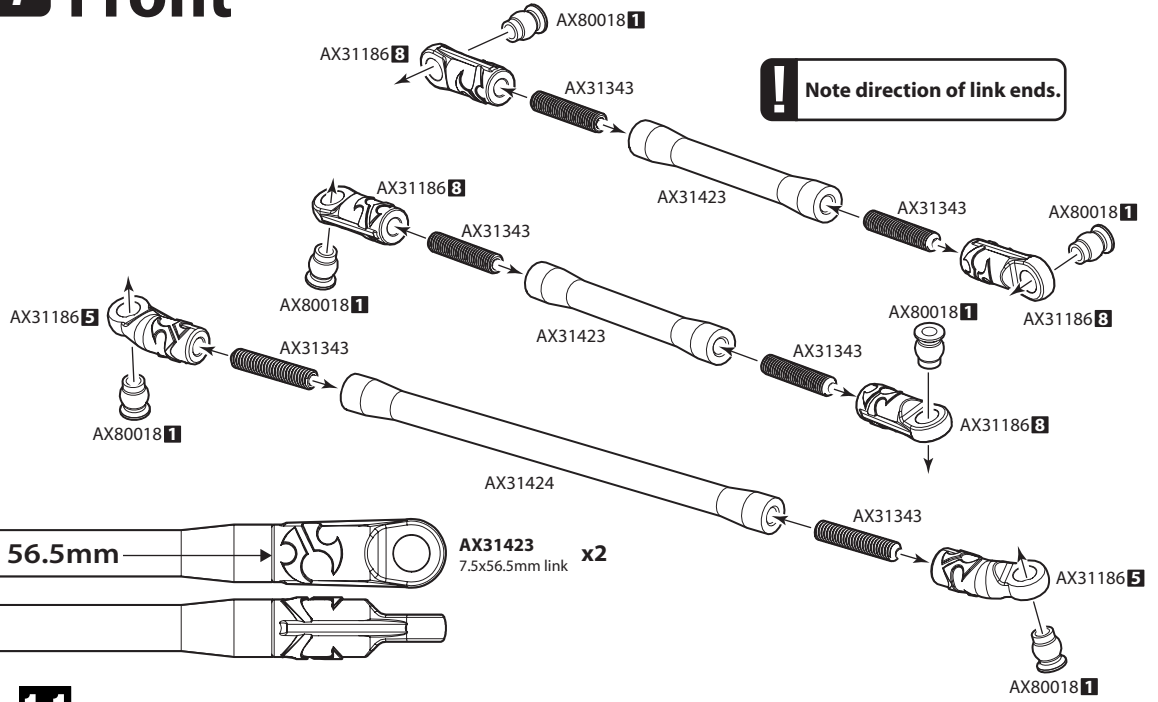
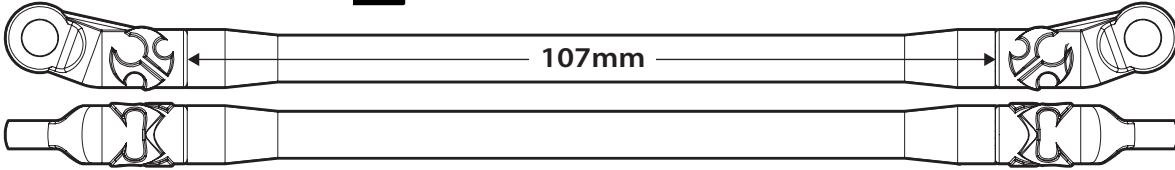
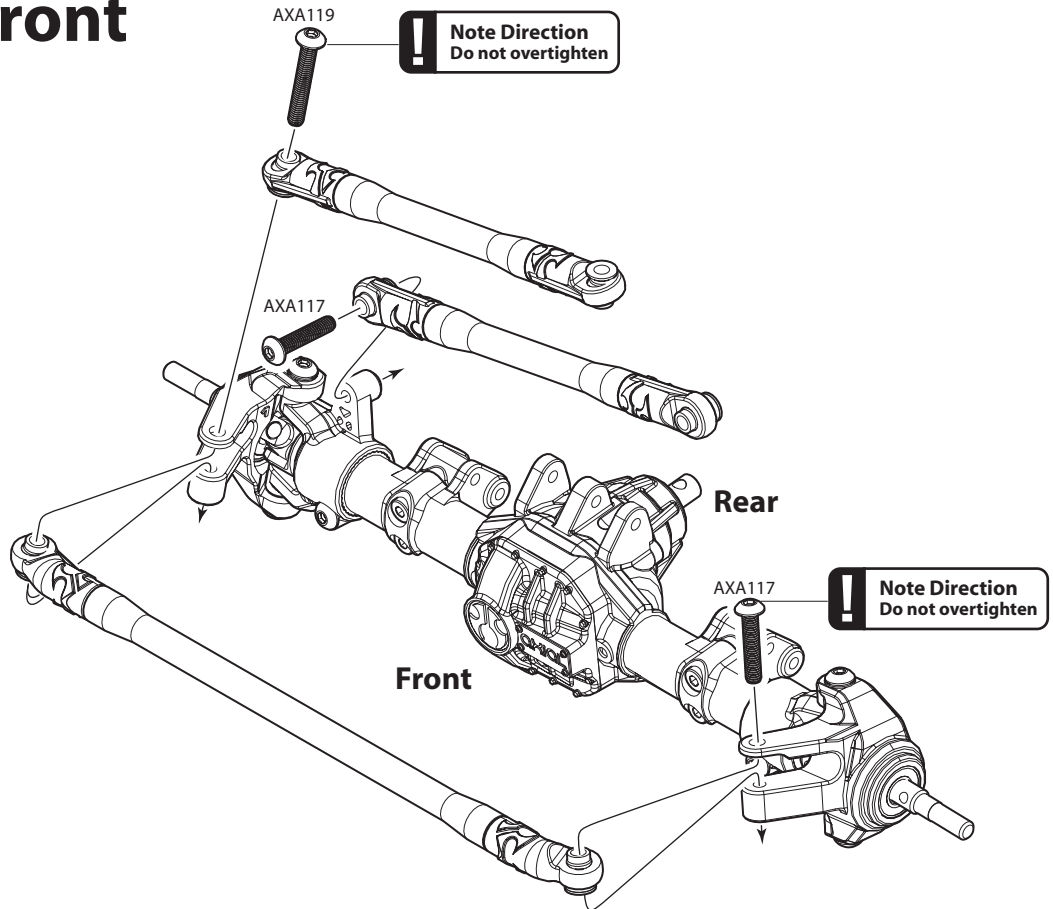


Rear



Note Direction

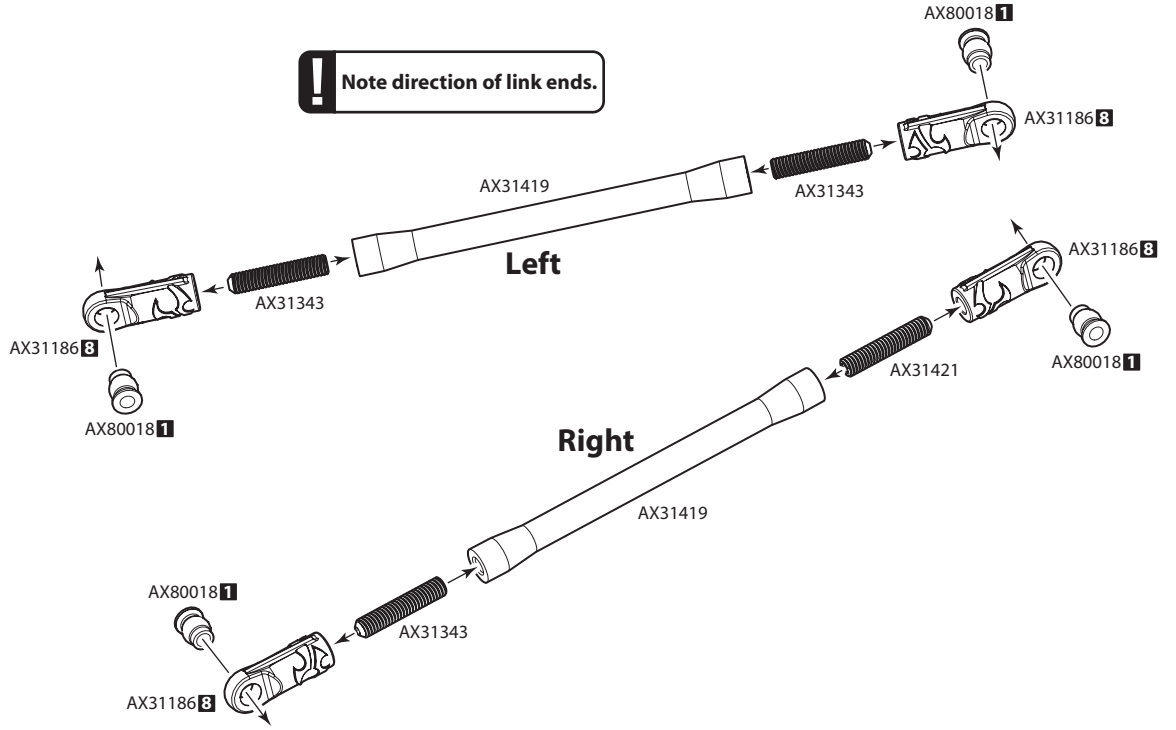


B**Open Bag B****7 Front****AX31343**
M4x20mm **x6****1:1****AXA119**
M3x20mm **x1****AXA117**
M3x15mm **x2****8 Front**

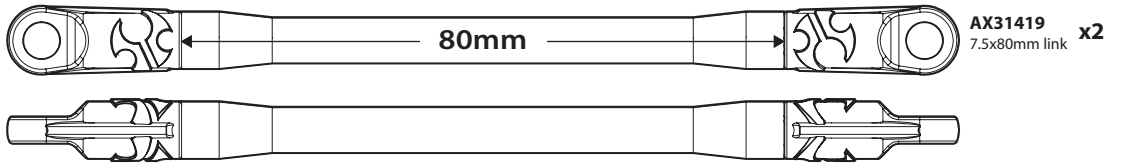
AX31343 x4
M4x20mm

9 Front

! Note direction of link ends.



1:1

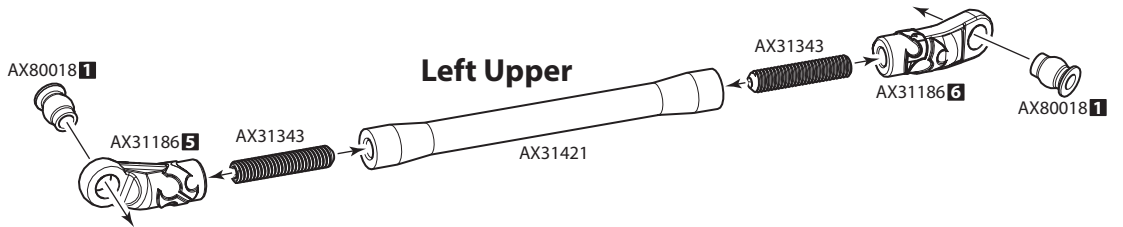


AX31343 x2
M4x20mm

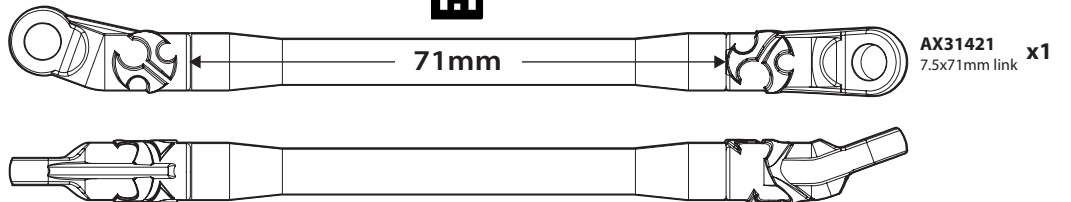
10 Front

! Note direction of link ends.

! Note Direction



1:1



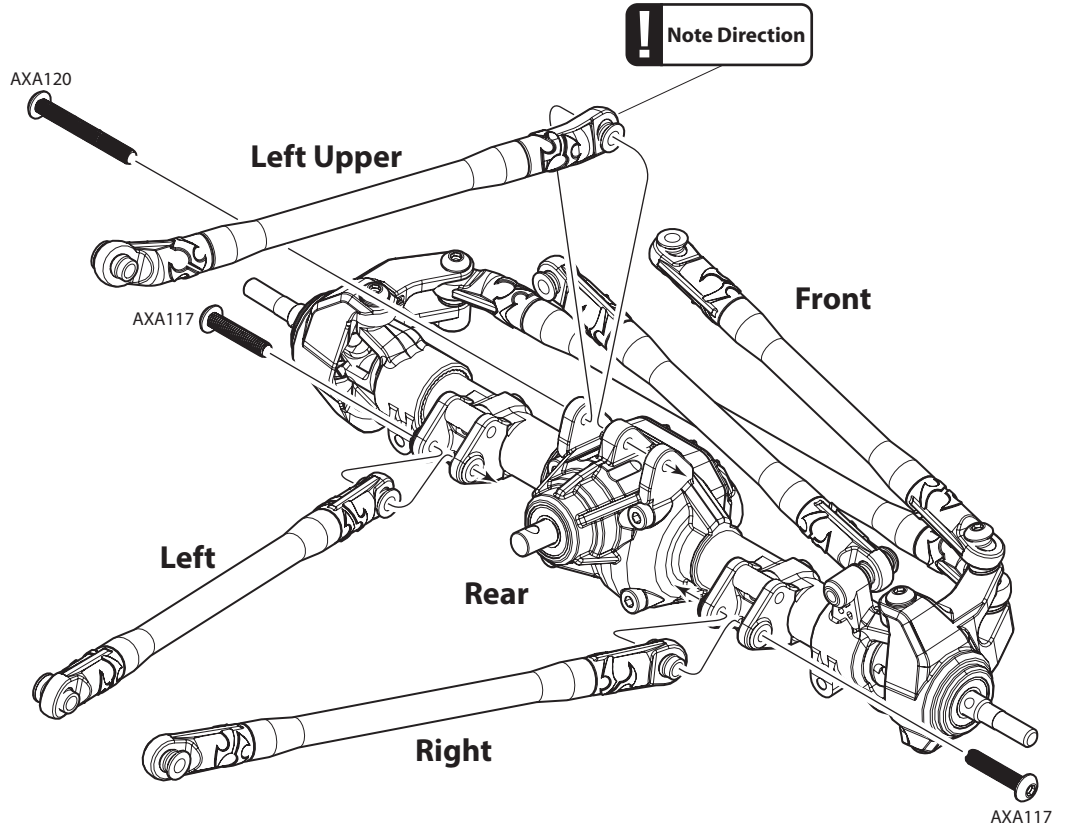


AXA120
M3x25mm x1



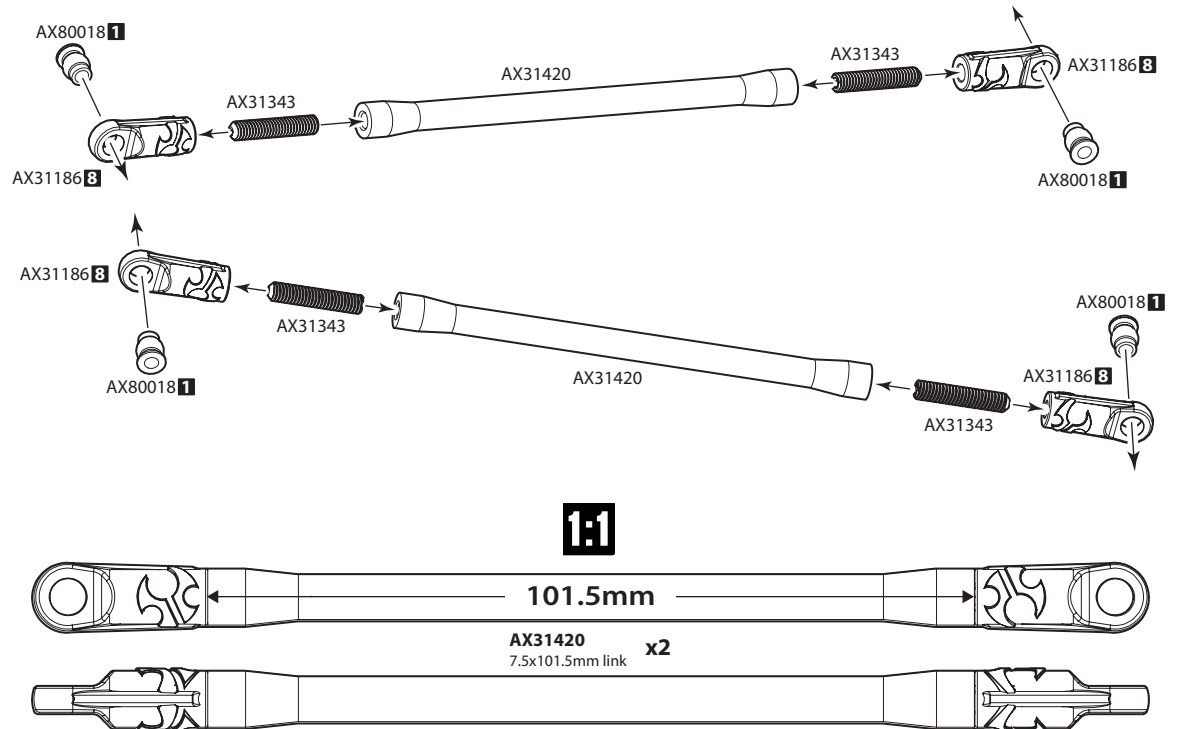
AXA117
M3x15mm x2

11 Front



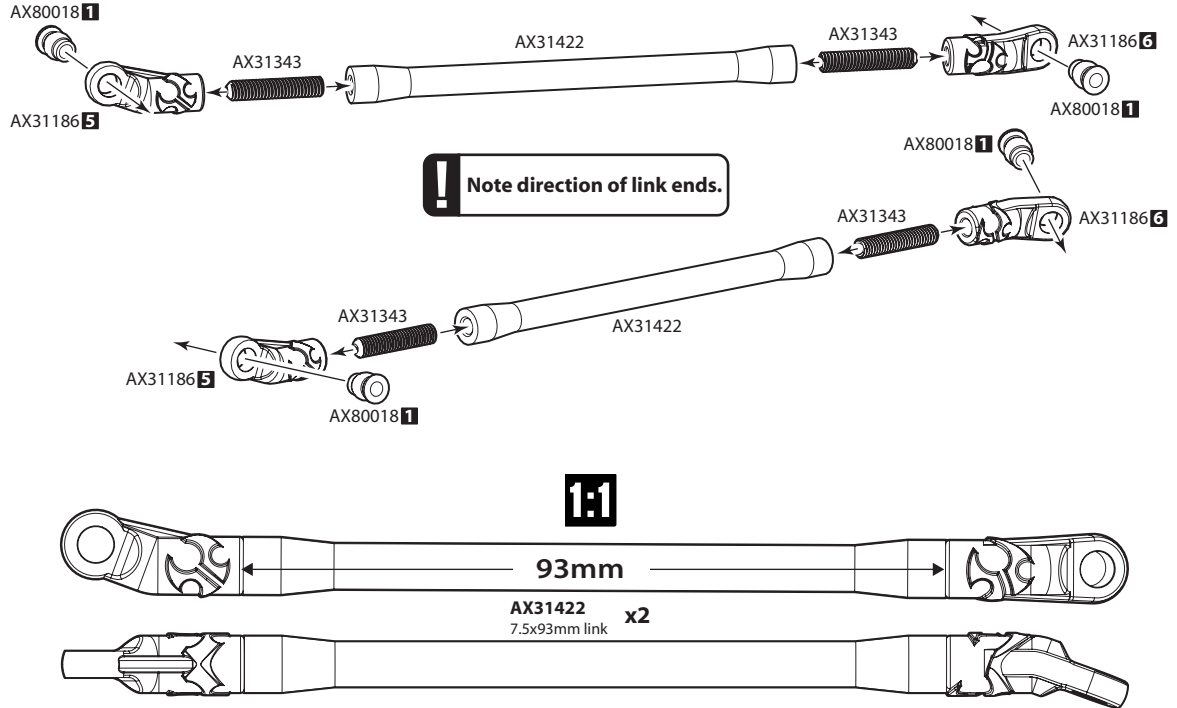
AX31343
M4x20mm x4

12 Rear



AX31343 x4
M4x20mm

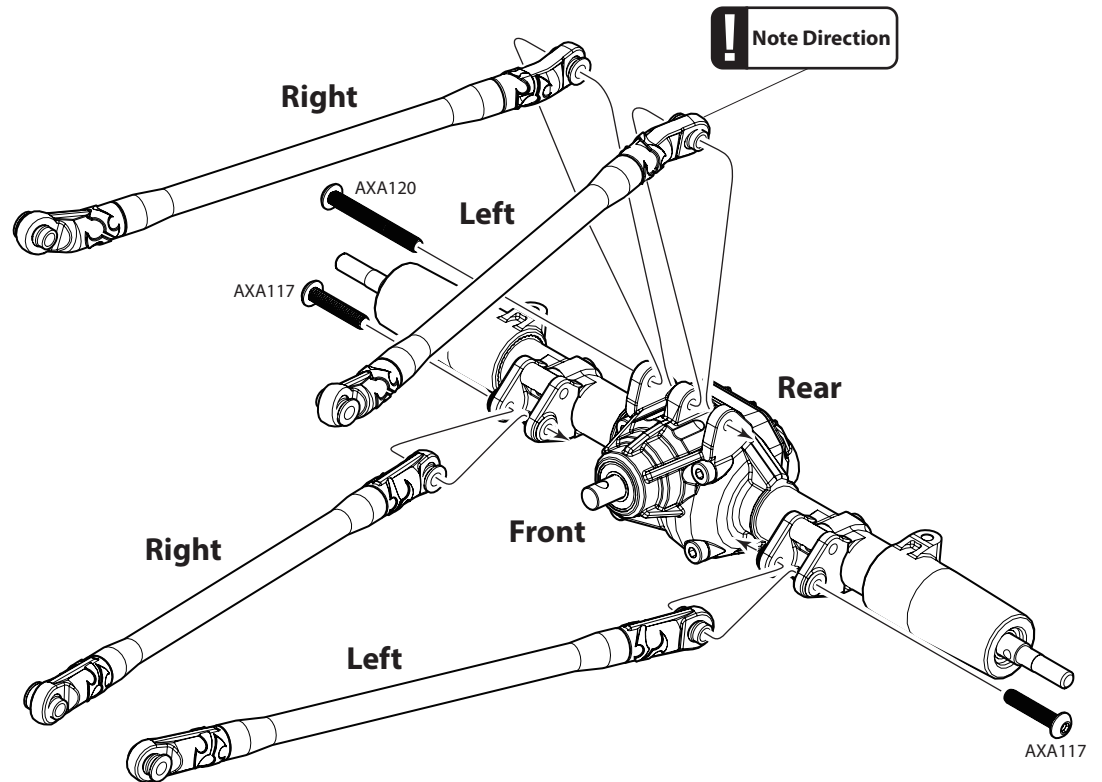
13 Rear



AXA120 x1
M3x25mm

AXA117 x2
M3x15mm

14 Rear



C Open Bag C

2 Open Plastic Bag 2

AXA1179
O-Ring 2.5x1.5mm **x8**

AXA1392
E2 e-clip **x8**

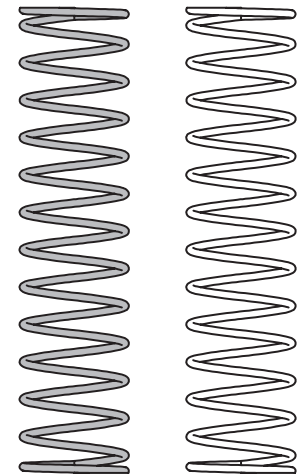
AX30146
Shock Shaft 3x50mm **x4**

AXA1163
O-Ring 7x1mm **x4**

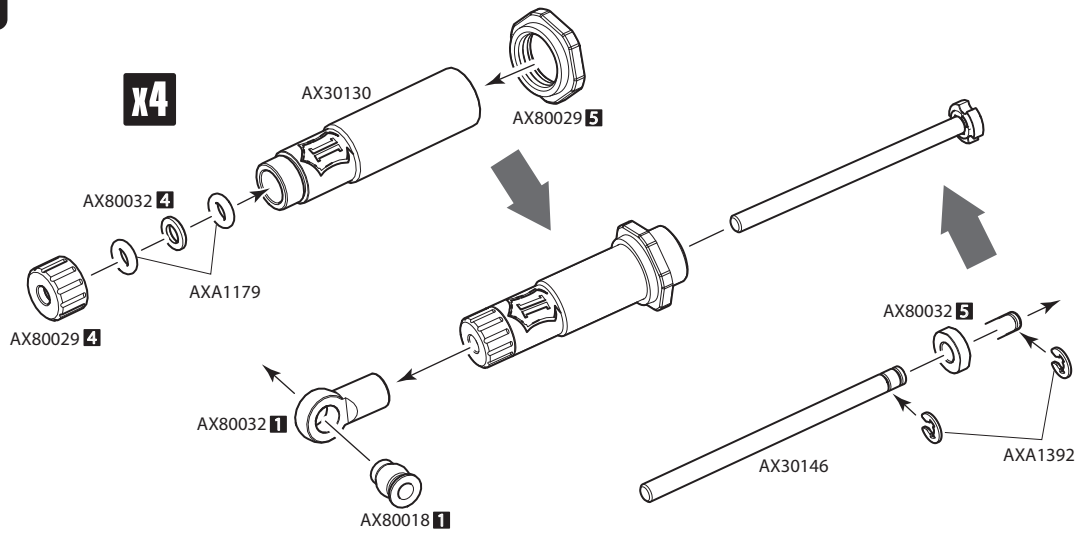
AXA013
2x6mm **x4**

Front
AX31145 X2
Spring 12.5x60mm
2.63 lbs/in - (Yellow)

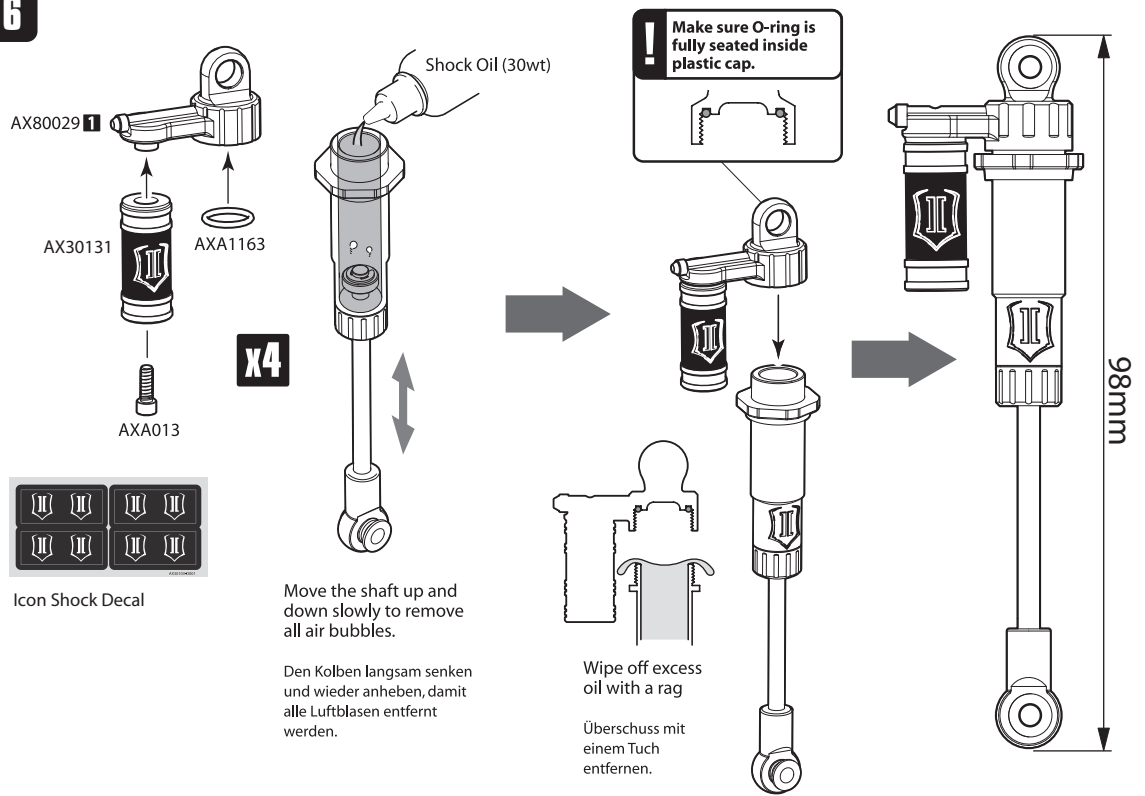
Rear
AX31441 X2
Spring 12.5x60mm
1.13lbs/in - (White)



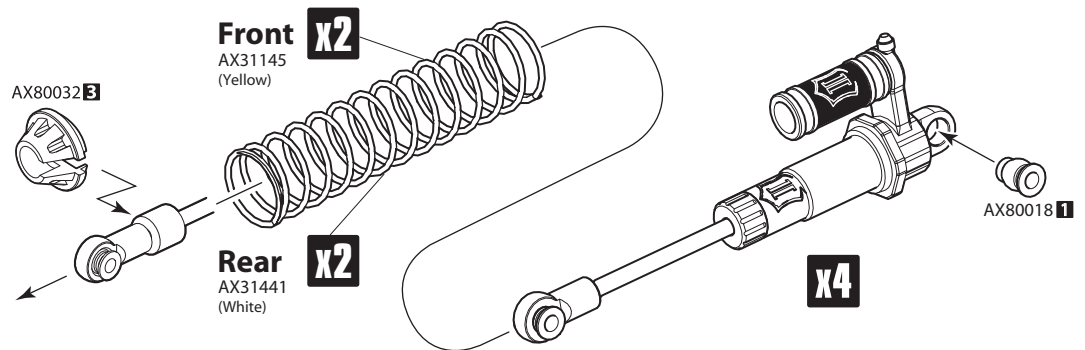
15



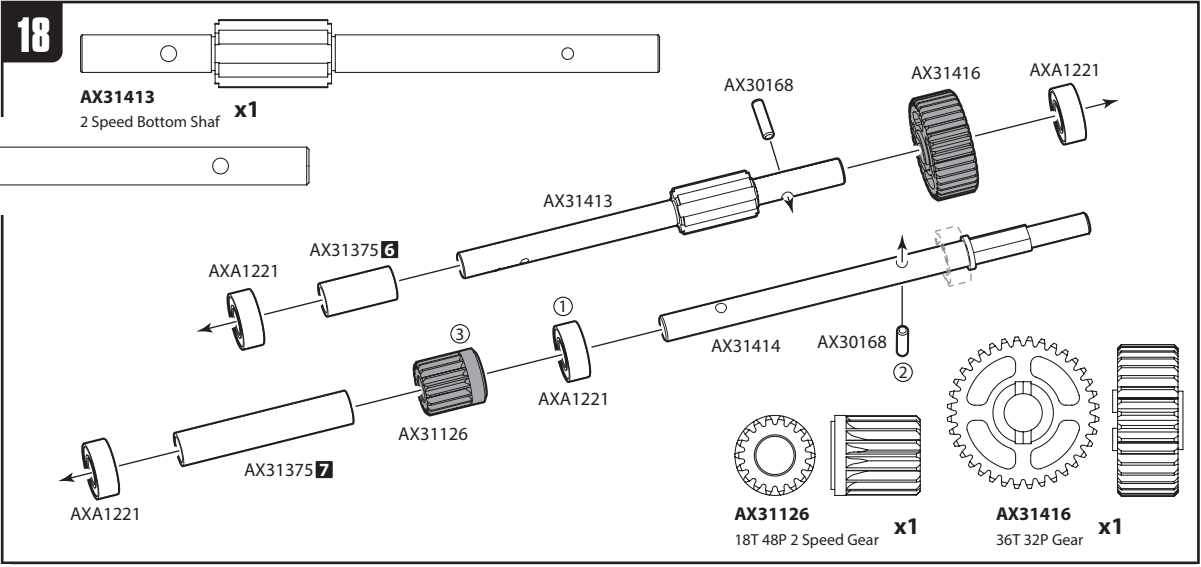
16



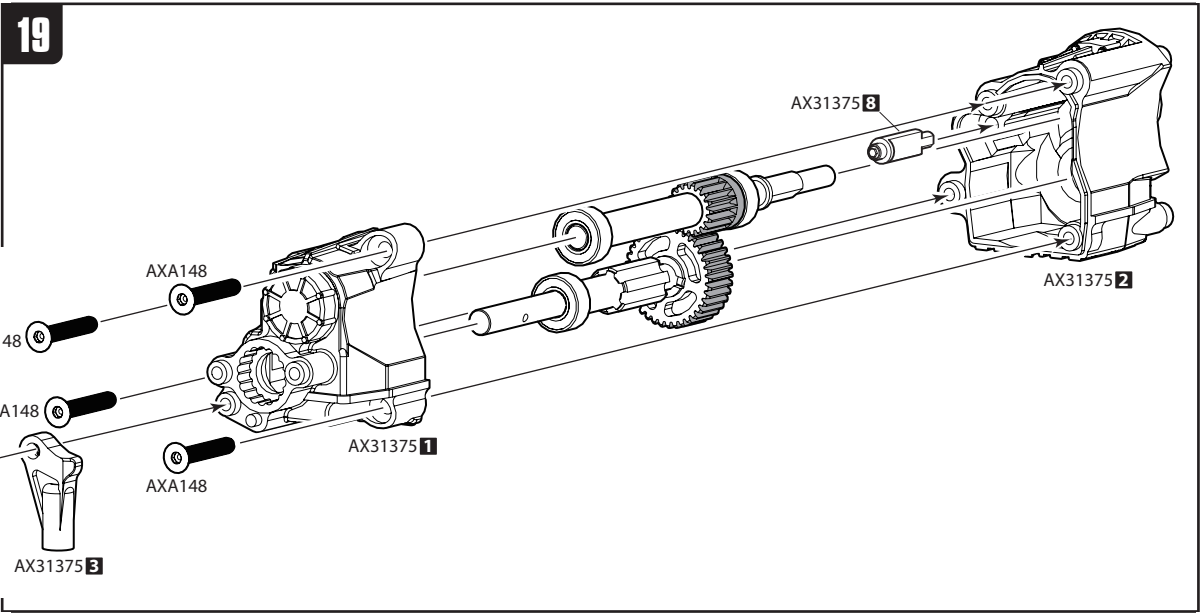
17



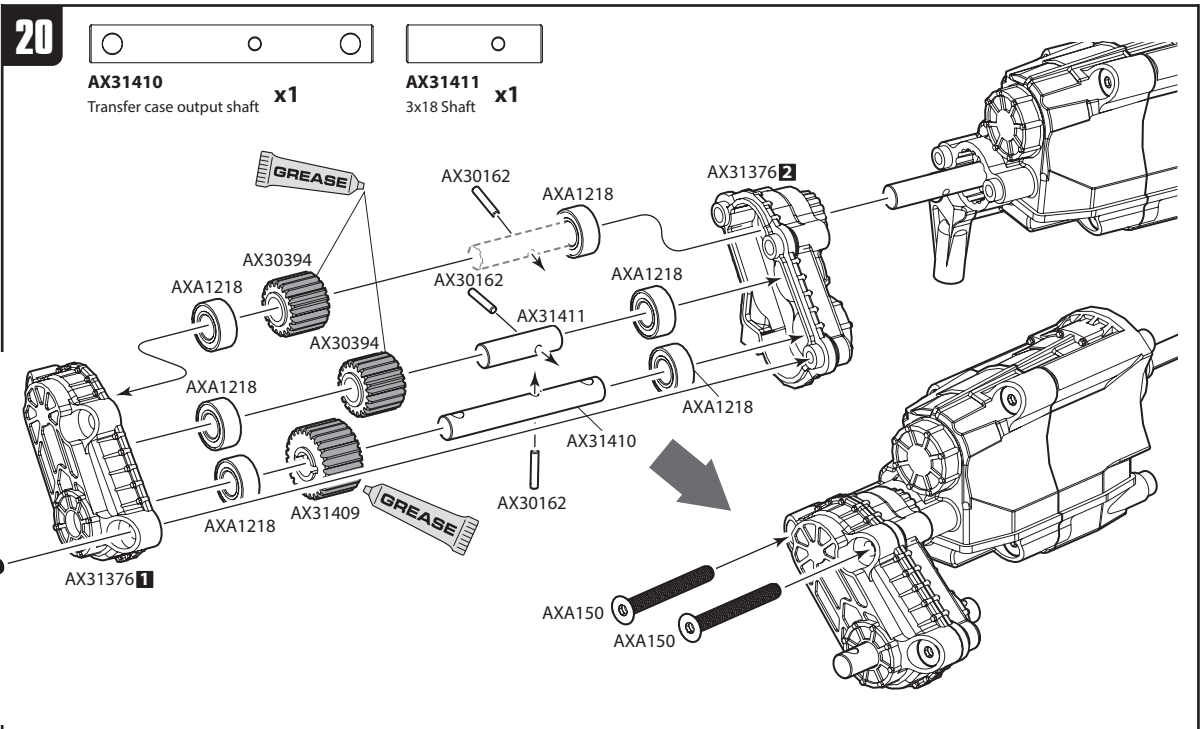
D Open Bag D



- AXA116**
M3x12mm **x1**
- AXA148**
M3x18mm **x4**



- AXA150**
M3x25mm **x2**
- AXA146**
M3x12mm **x1**
- AX30162**
1.5x8mm **x3**
- AXA1218**
5x10x4mm **x6**
- AX31409**
26T 48P Gear **x1**
- AX30394**
20T Drive Gear **x2**

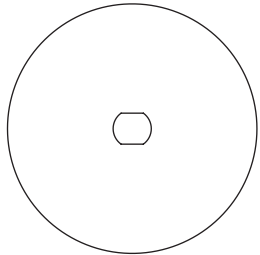




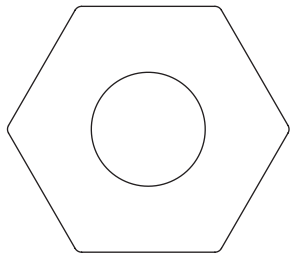
AXA148
M3x18mm **x3**



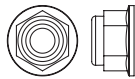
AX30413
Spring 8.5x12 **x1**



AX31026
Slipper Plate **x2**

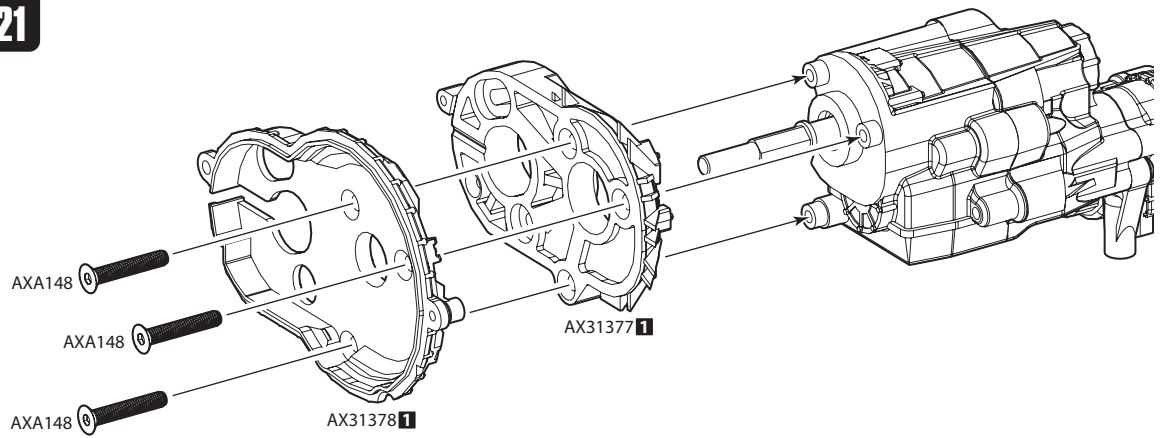


AX31068
Slipper Pad **x2**

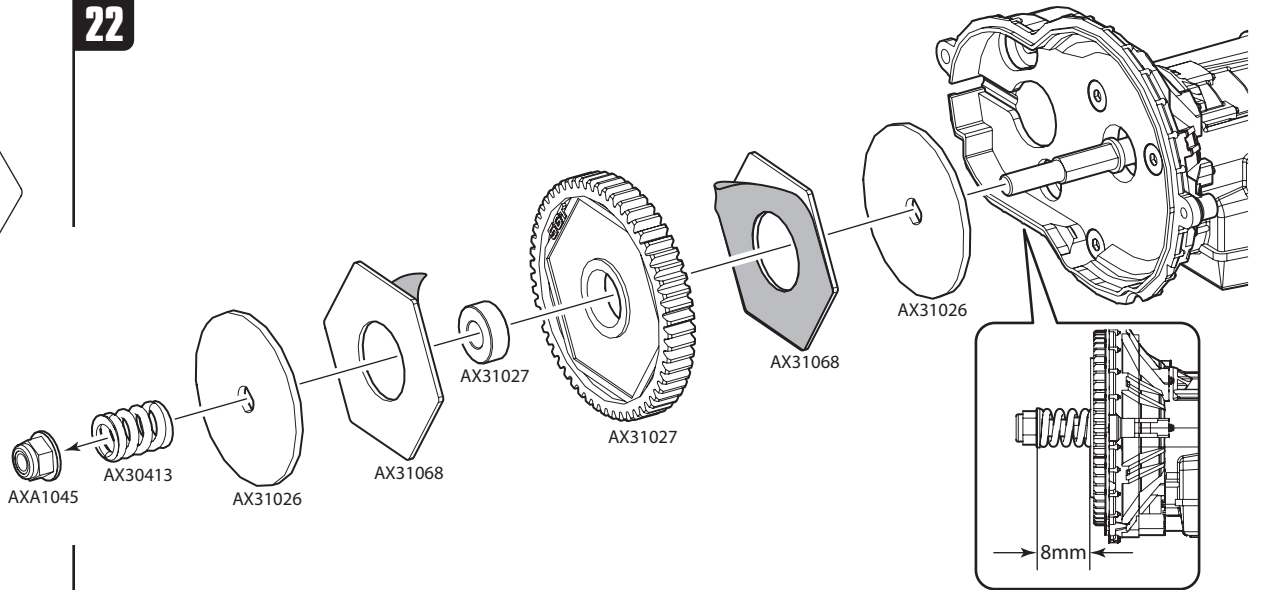


AXA1045
M4 Nylon Lock Nut **x1**





21

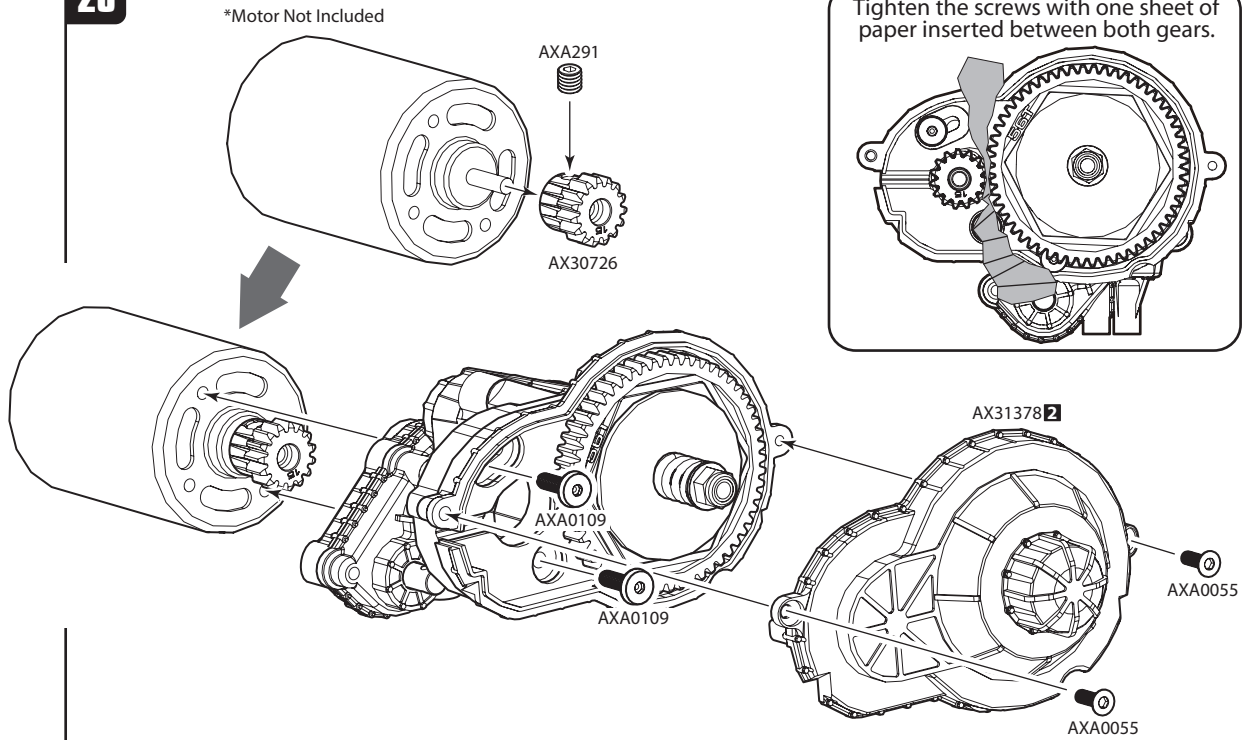


22



23

-  **AXA291**
M4x4mm **x1**
-  **AXA055**
M2.6x12 mm **x2**
-  **AXA0109**
M3x10mm **x2**
-  **AX30726**
Pinion 32P 15T **x1**



E Open Bag E

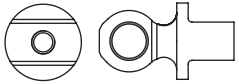
3 Open Plastic Bag 3



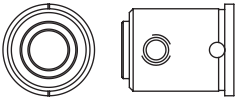
AXA144
M3x8mm **x2**



AX31028
Pin 2 x11mm **x2**



AX31148
WB8 V2 Joint Male Universal **x2**

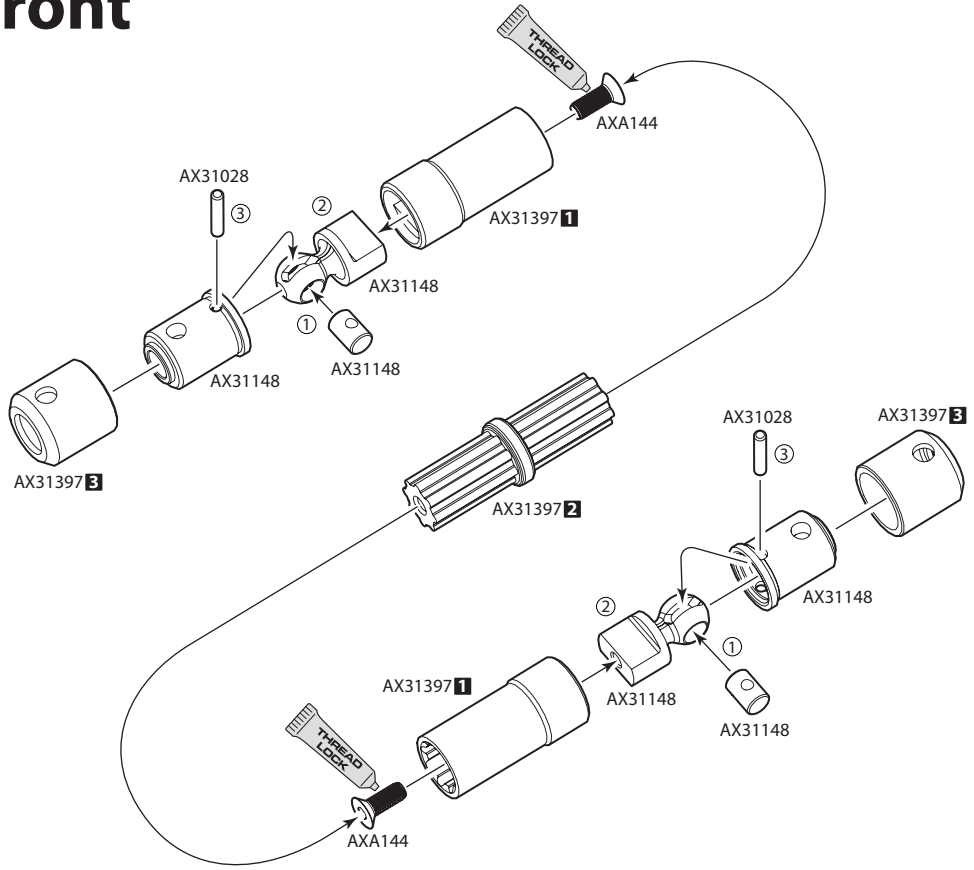


AX31148
WB8 V2 Joint 10x15mm **x2**



AX31148
4.5x6.5mm Joint Pin **x2**

24 Front



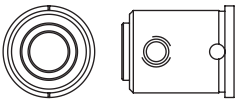
AXA144
M3x8mm **x2**



AX31028
Pin 2 x11mm **x2**



AX31148
WB8 V2 Joint Male Universal **x2**

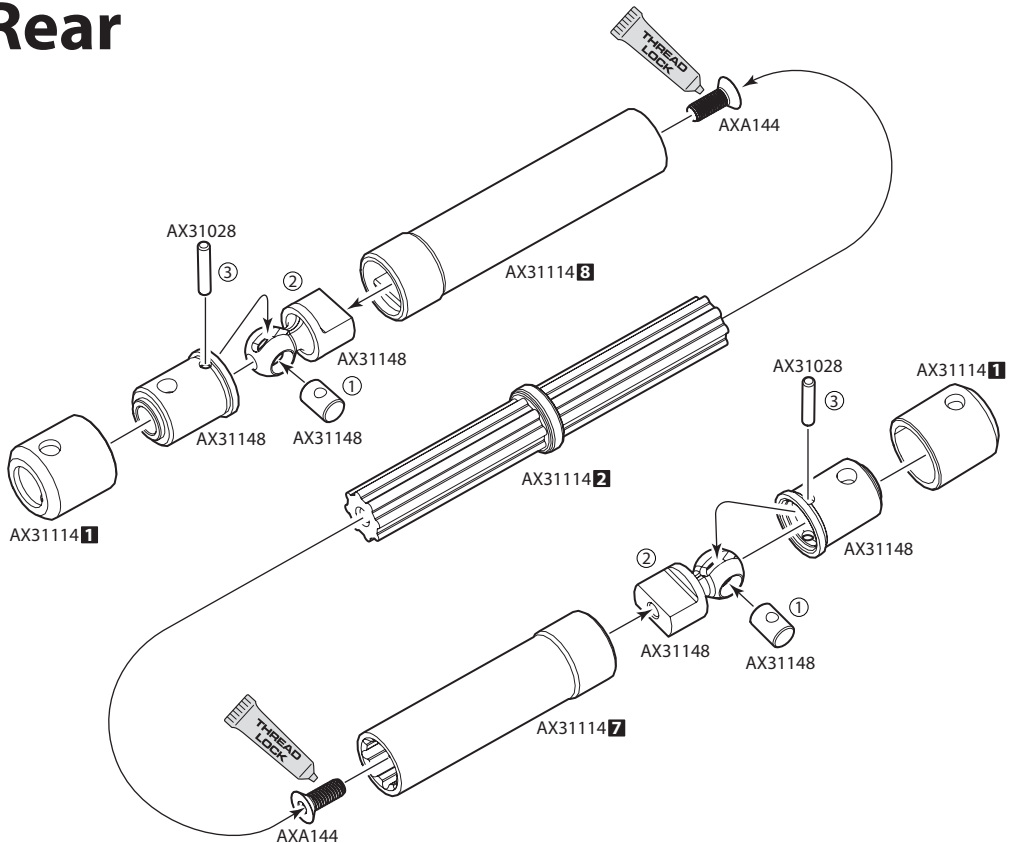


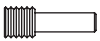
AX31148
WB8 V2 Joint 10x15mm **x2**



AX31148
4.5x6.5mm Joint Pin **x2**

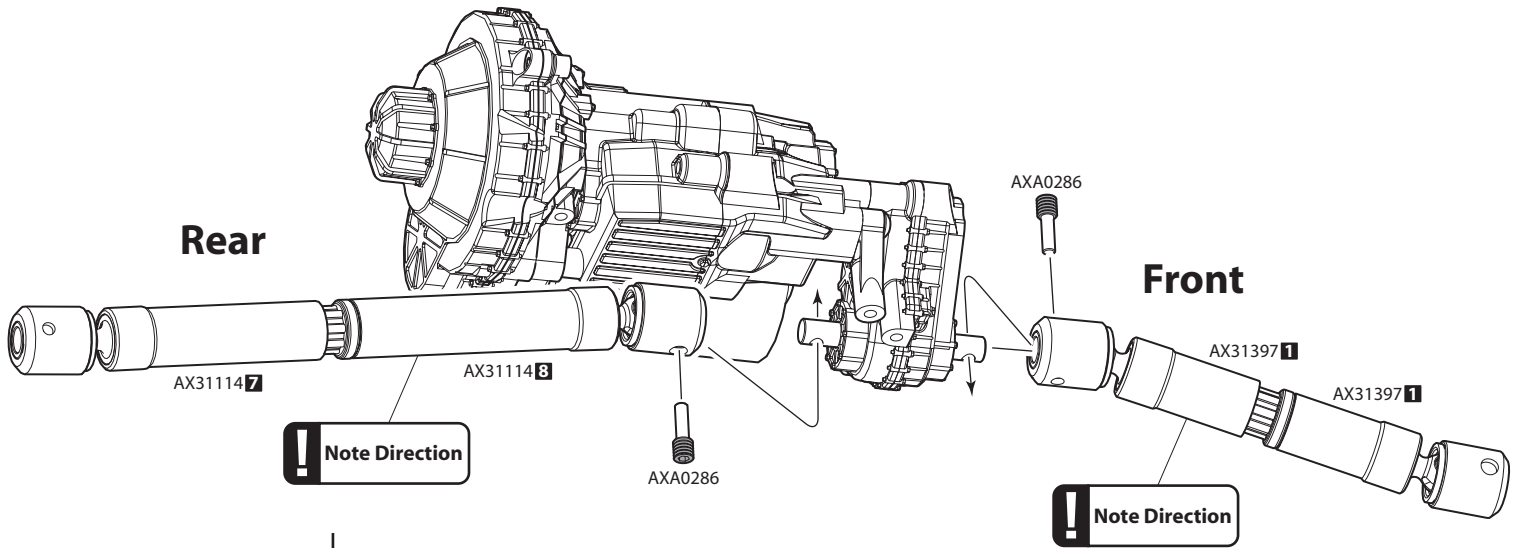
25 Rear





AXA0286
M4x2.5x13mm **x2**

26

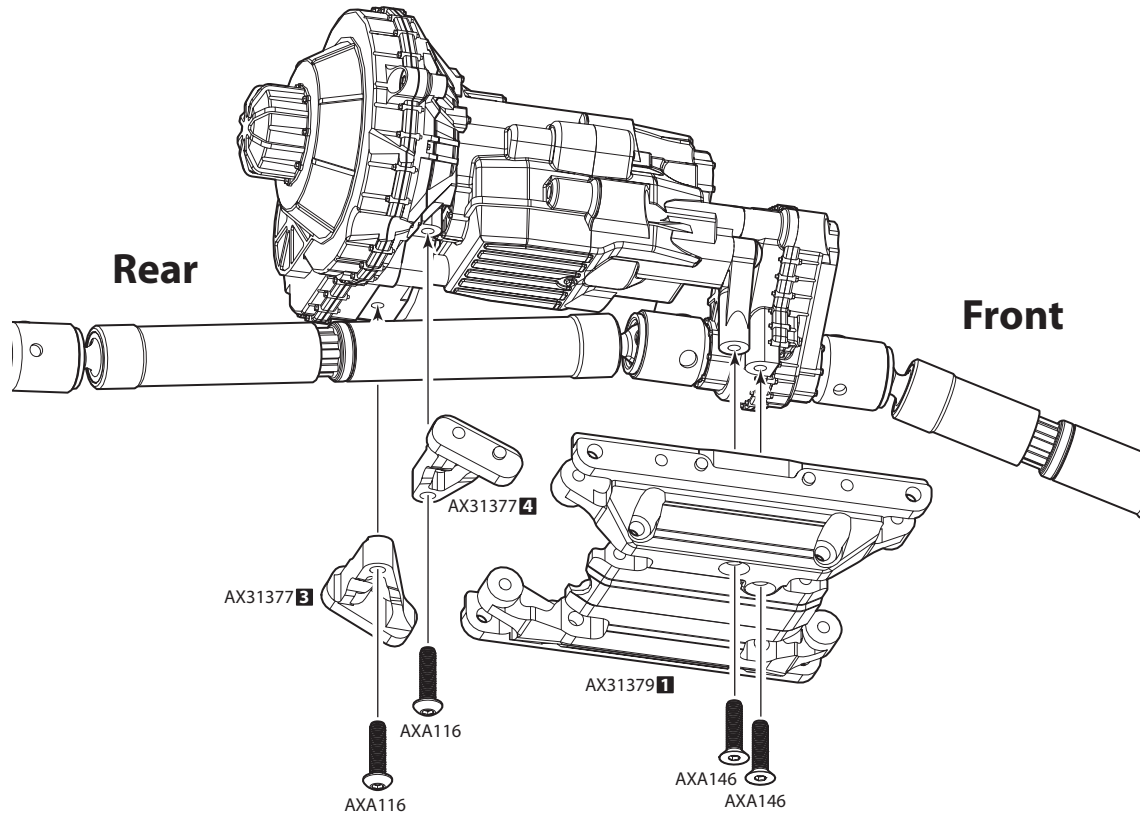


AXA146
M3x12mm **x2**



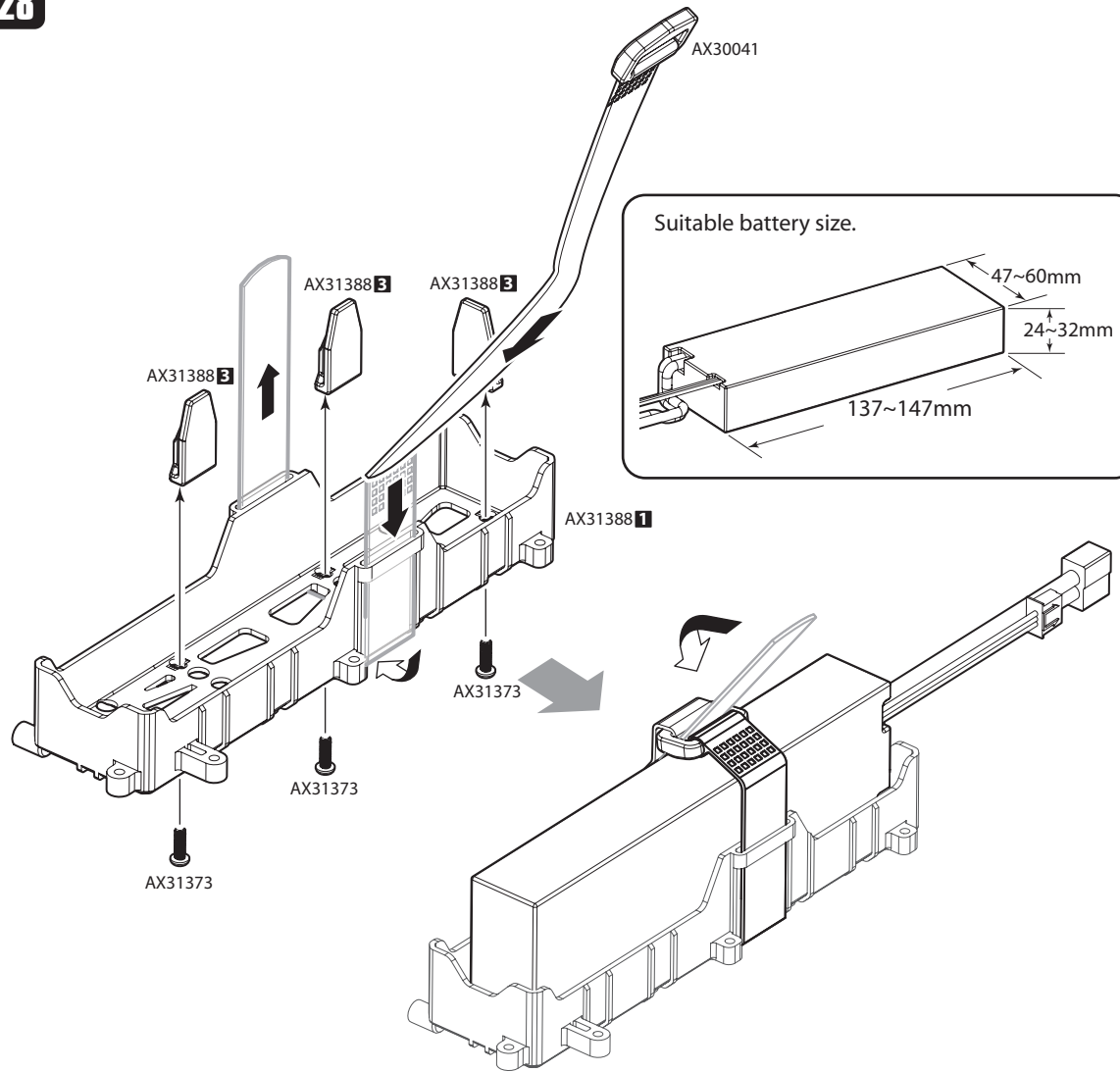
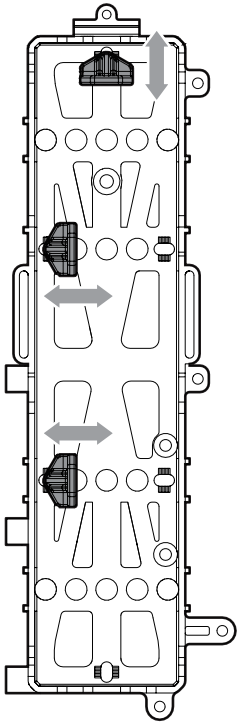
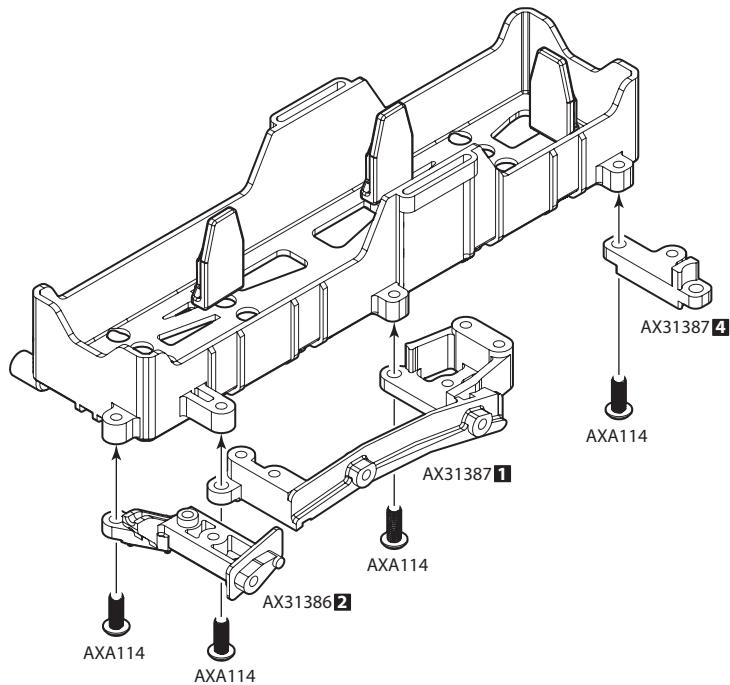
AXA116
M3x12mm **x2**

27



F**Open Bag F****28****AX31373**
M2.6x8mm **x3**

Adjust to the appropriate range.

**29****AXA114**
M3x8mm **x4**

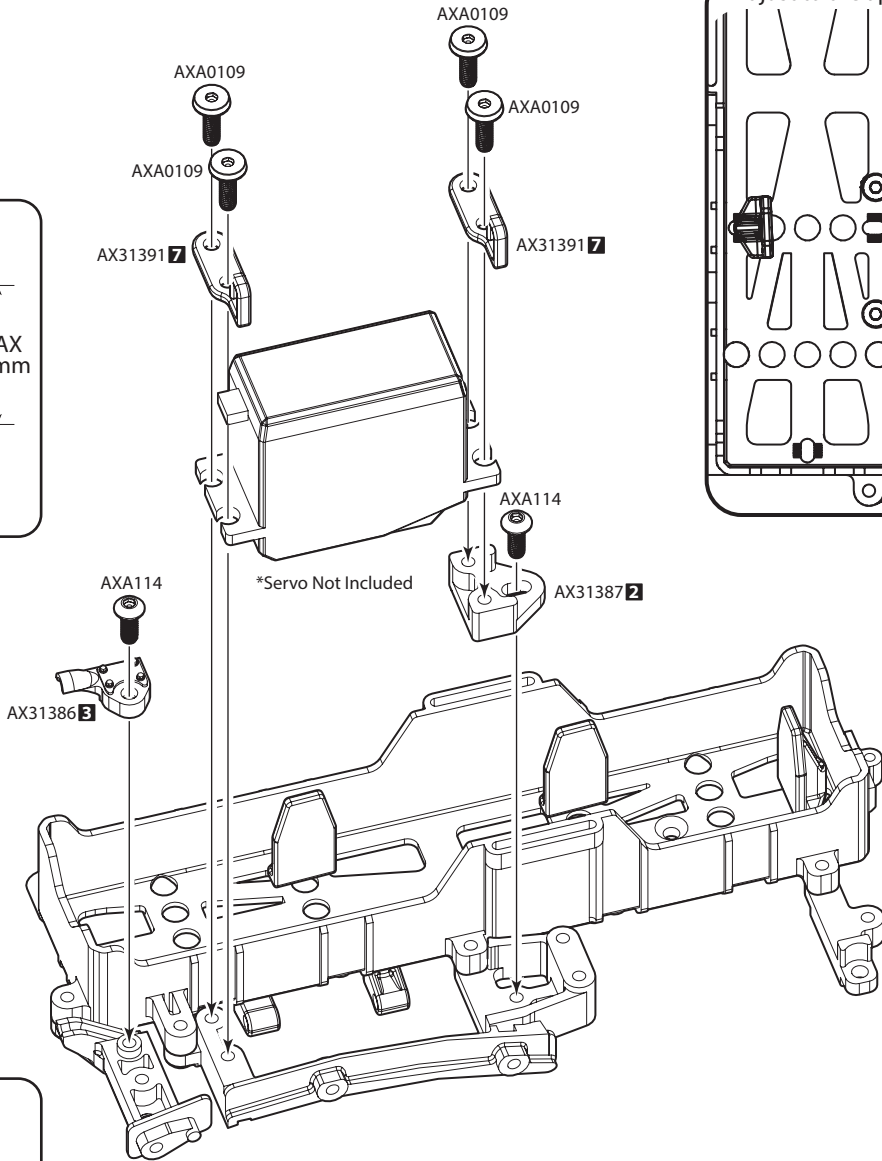
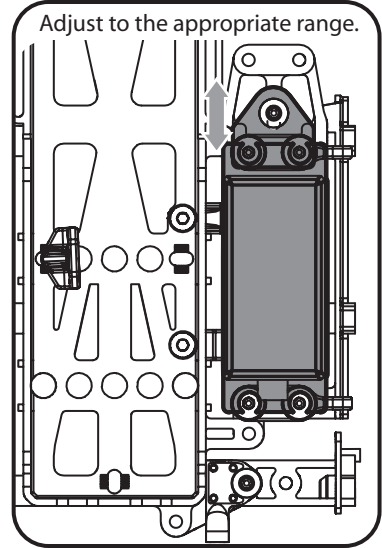
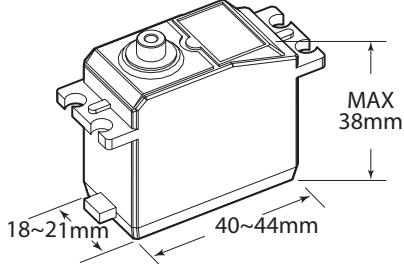


AXA114 x2
M3x8mm

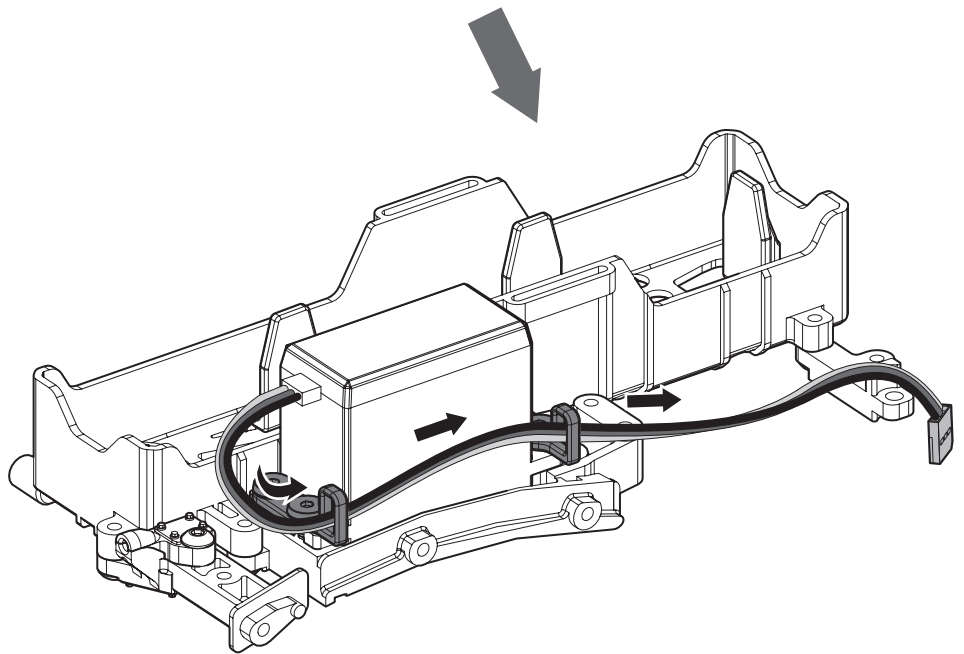
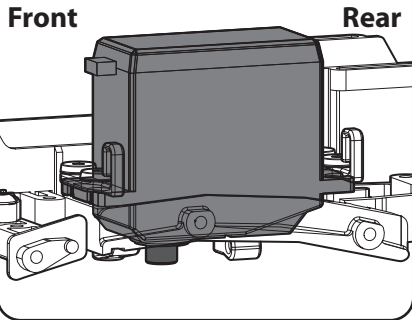





AXA0109 x4
M3x10mm

Suitable servo size.

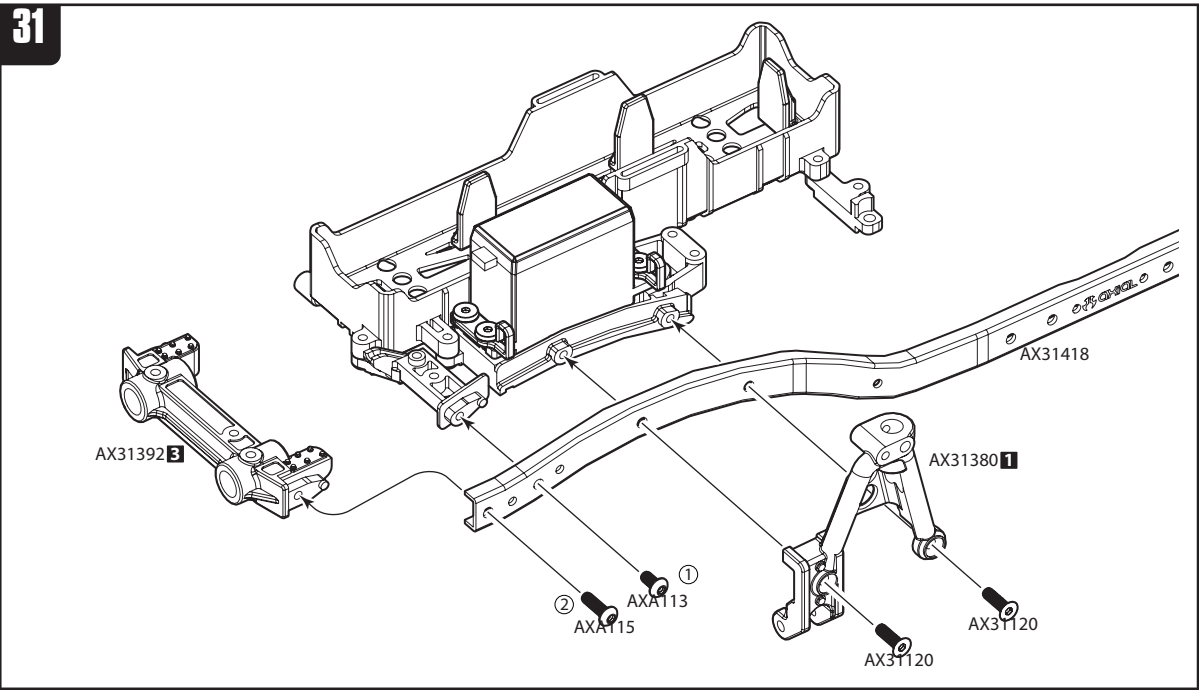



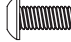



Note Direction



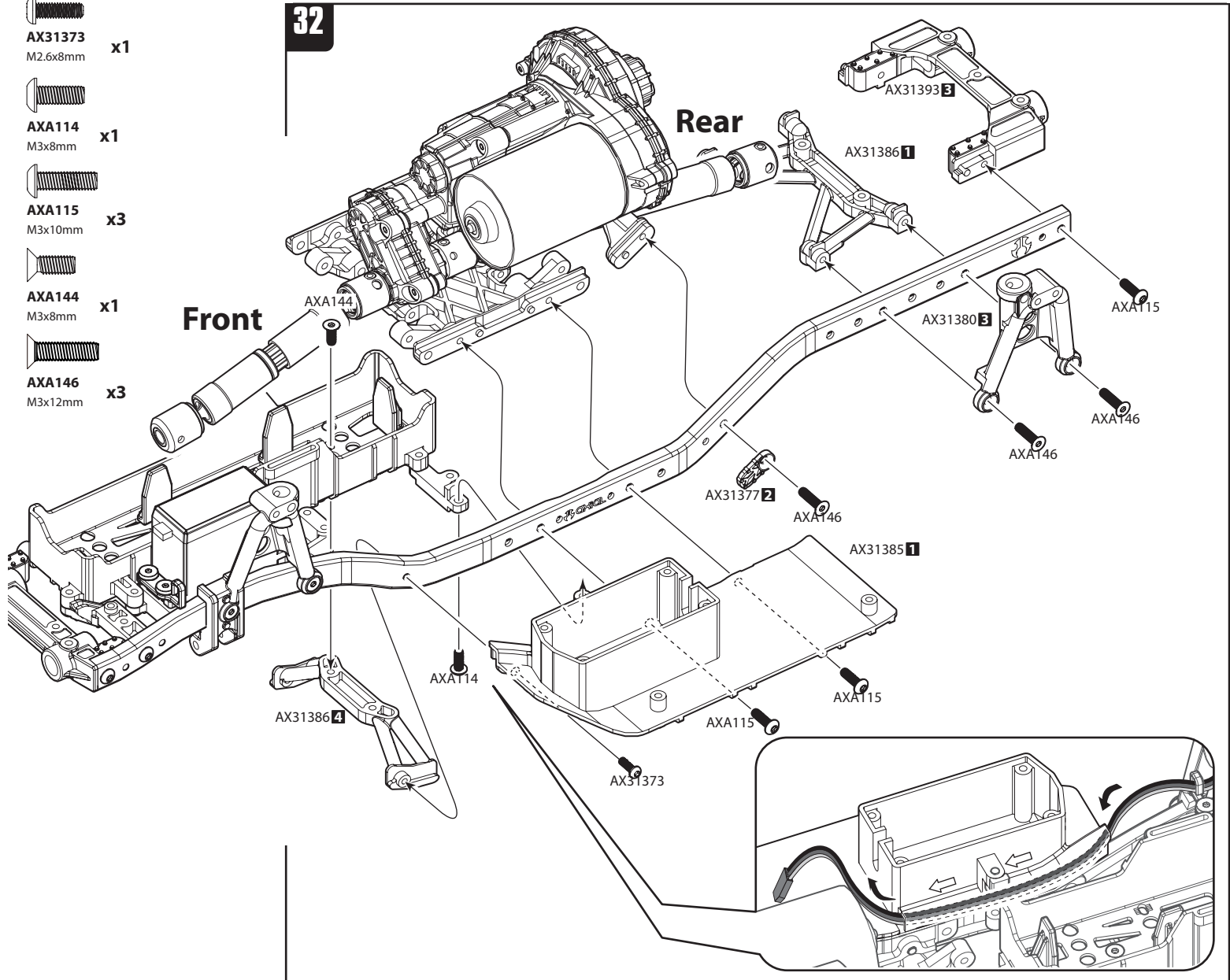
-  **AXA0113**
M3x6mm **x1**
-  **AXA115**
M3x10mm **x1**
-  **AX31120**
M3x10mm **x2**

31



-  **AX31373**
M2.6x8mm **x1**
-  **AXA114**
M3x8mm **x1**
-  **AXA115**
M3x10mm **x3**
-  **AXA144**
M3x8mm **x1**
-  **AXA146**
M3x12mm **x3**

32



33



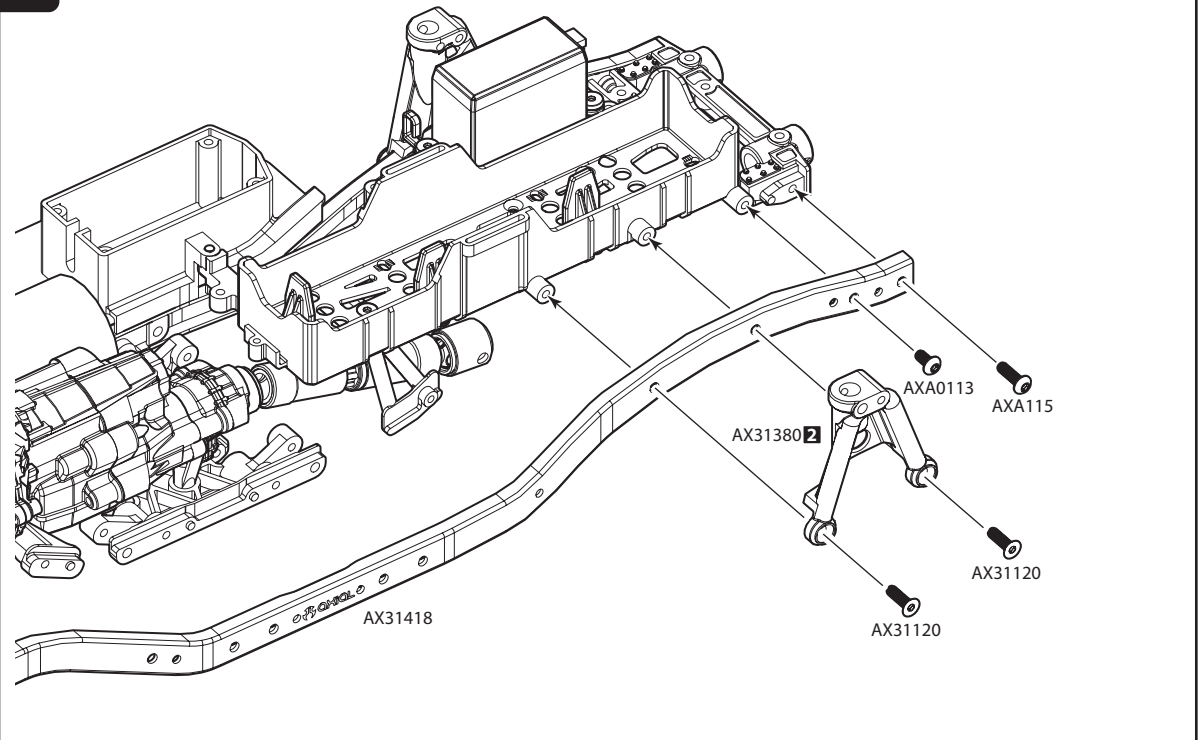
AXA0113
M3x6mm **x1**



AXA115
M3x10mm **x1**



AX31120
M3x10mm **x2**



34



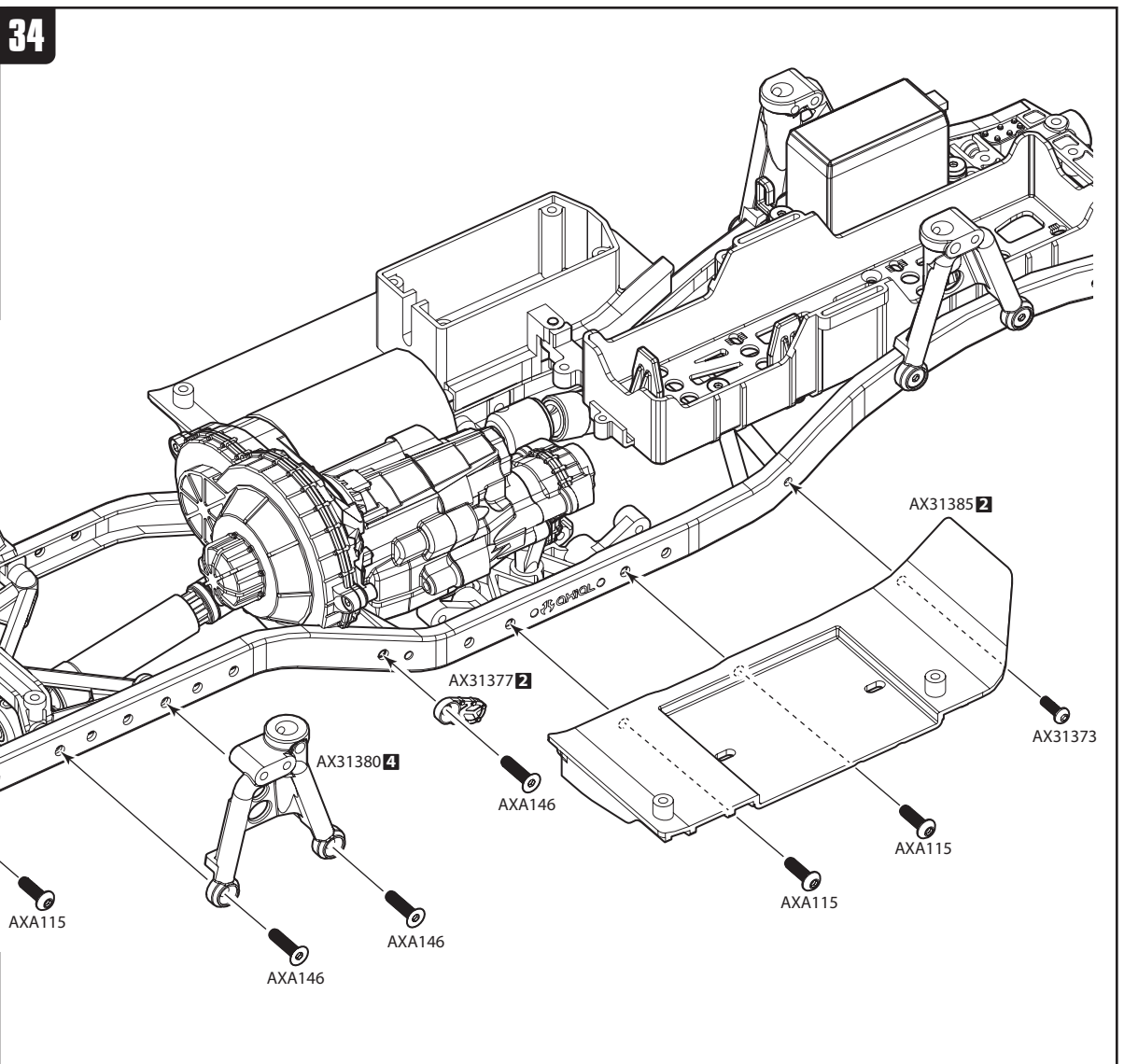
AX31373
M2.6x8mm **x1**






AXA115
M3x10mm **x3**

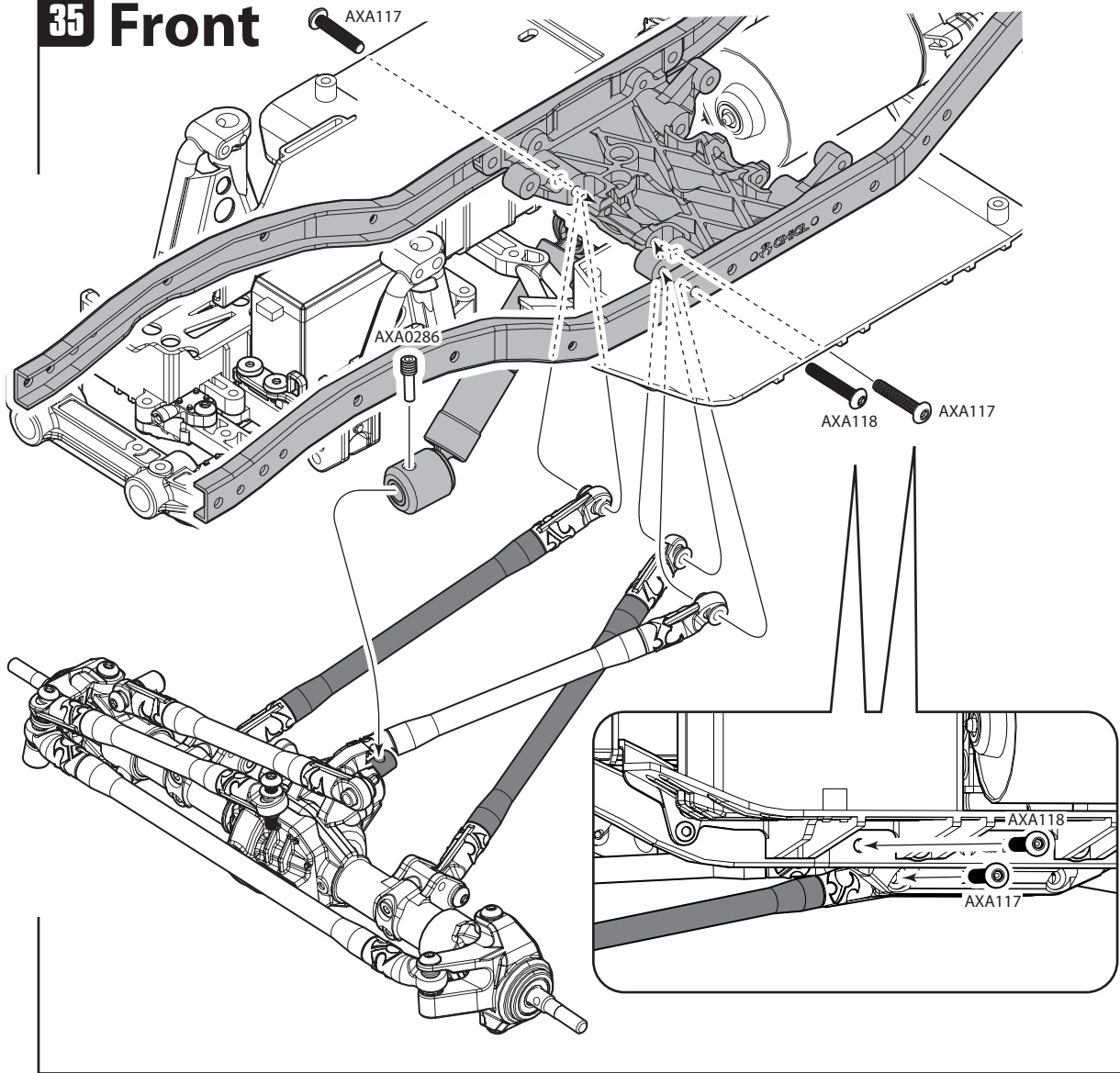


AXA146
M3x12mm **x3**




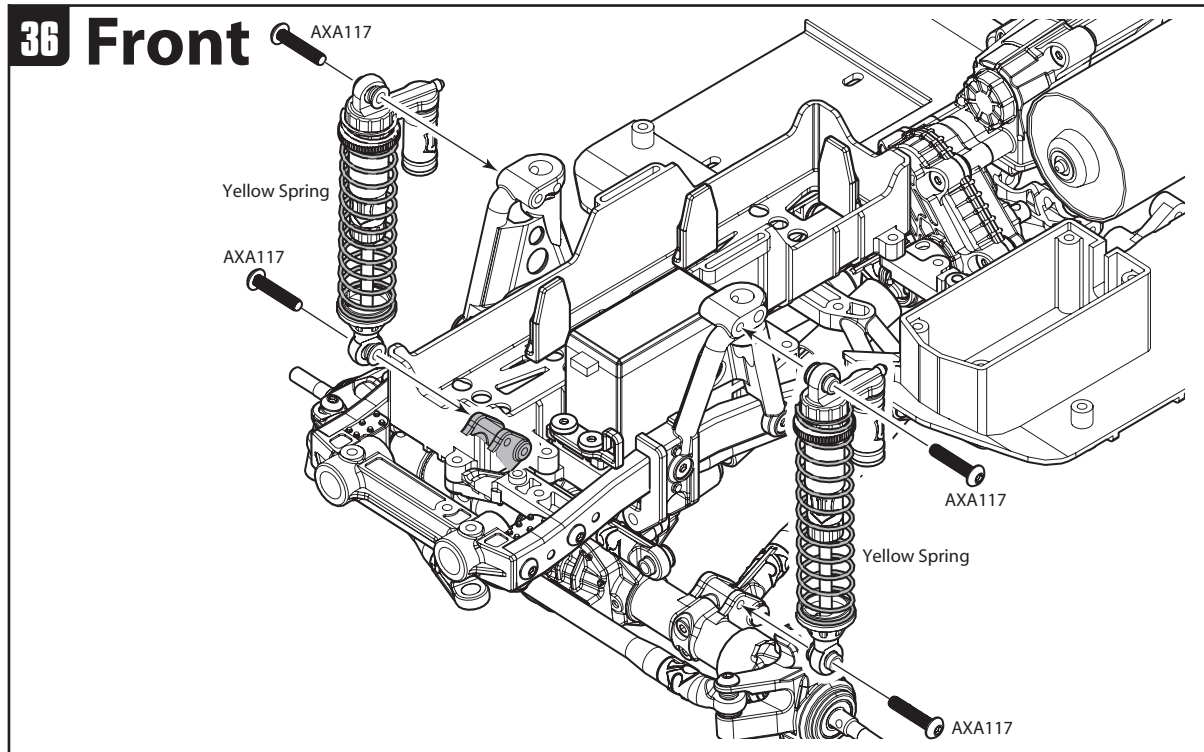
35 Front

-  **AXA0286**
M4x2.5x13mm **x1**
-  **AXA117**
M3x15mm **x2**
-  **AXA118**
M3x18mm **x1**



36 Front

-  **AXA117**
M3x15mm **x4**



37 Front



AXA117 x1
M3x15mm



AXA1052 x1
M3 Thin Nylon Locking Nut

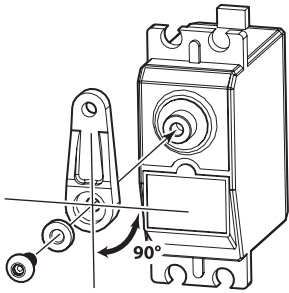


AXA0113 x1
M3x6mm



AXA1070 x1
3x6x0.5mm

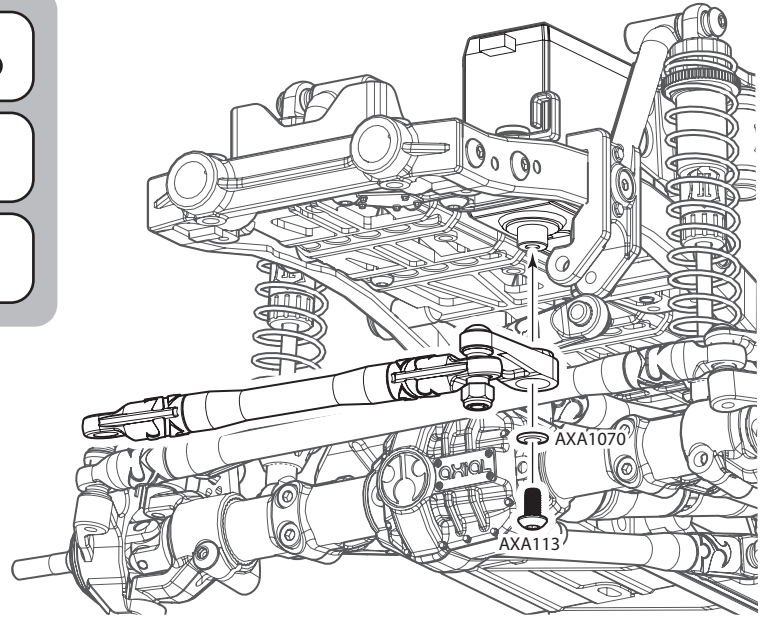
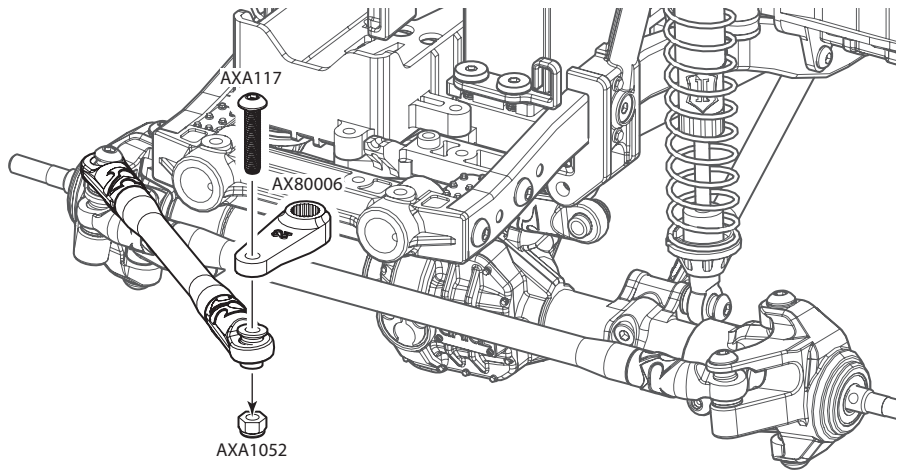
Install when servo is in neutral position



AX80006 **1**
23 Airtronics / JR / KO

AX80006 **2**
24 Hitec

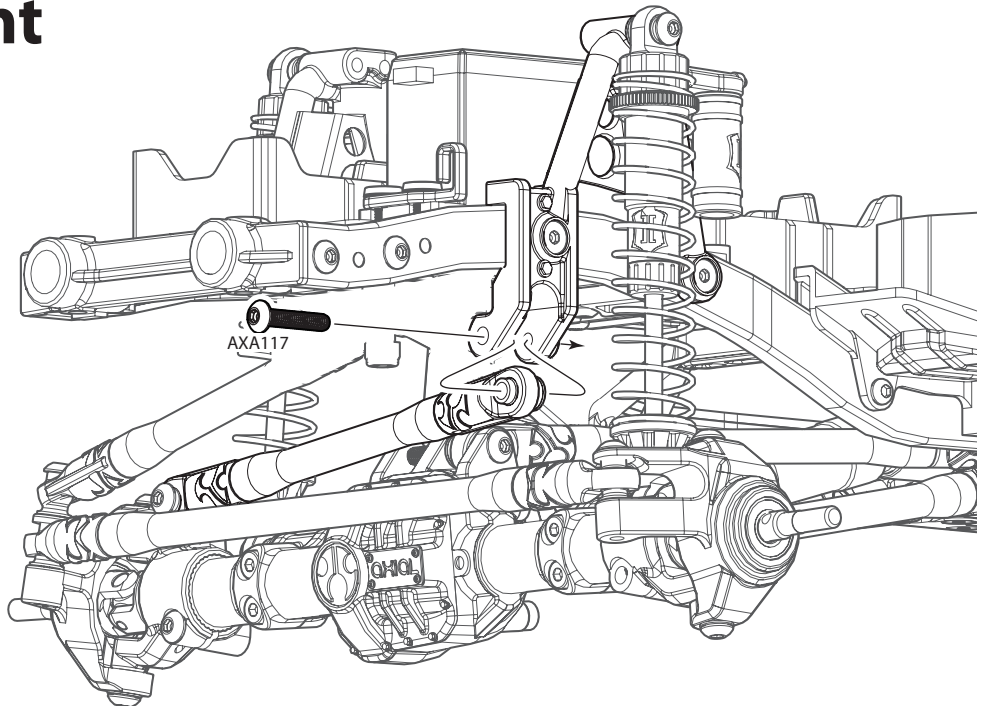
AX80006 **3**
25 Futaba



38 Front



AXA117 x1
M3x15mm

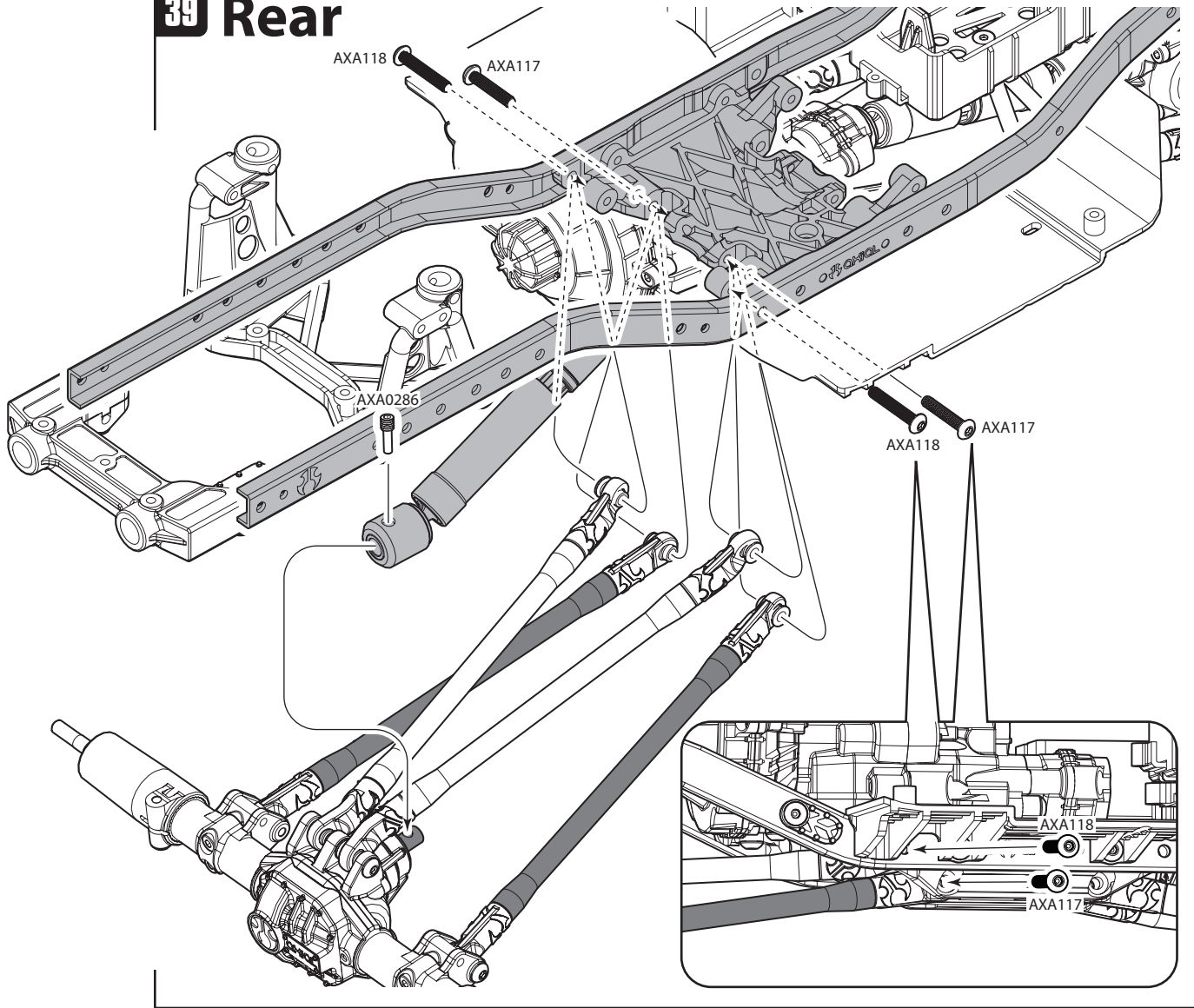


AXA0286
M4x2.5x13mm **x1**

AXA117
M3x15mm **x2**

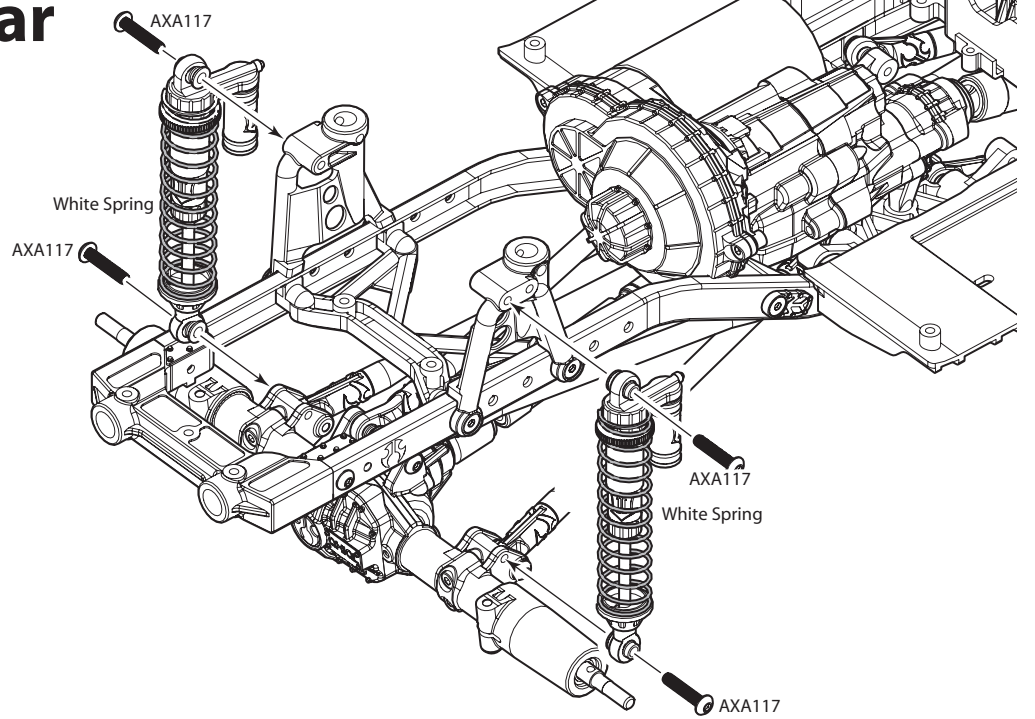
AXA118
M3x18mm **x2**

39 Rear



AXA117
M3x15mm **x4**

40 Rear

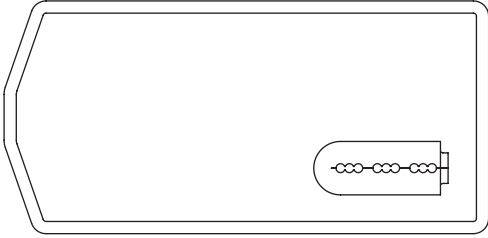


G Open Bag G

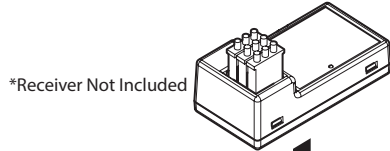
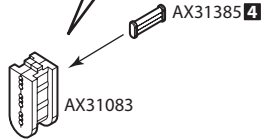
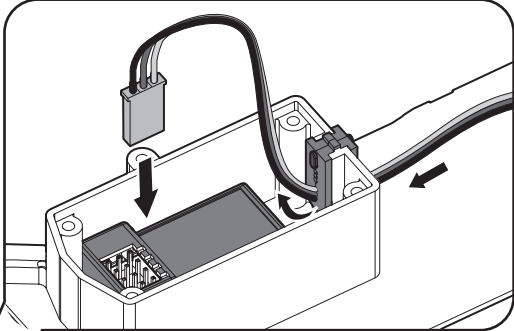
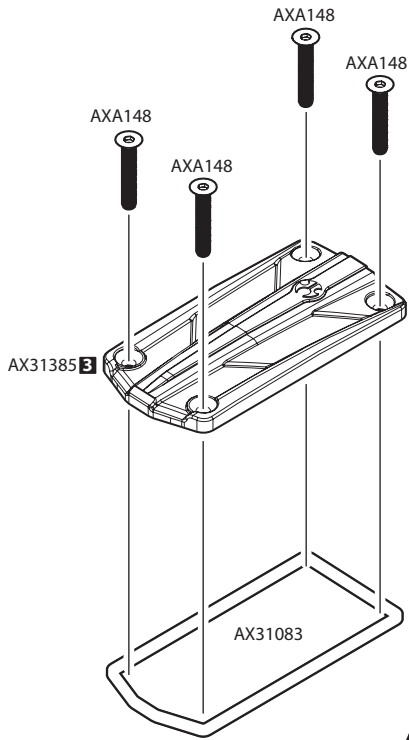
41



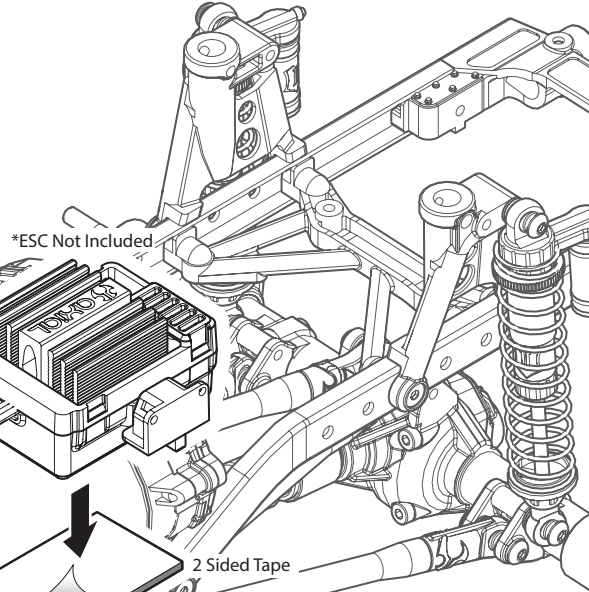
AXA148
M3x18mm **x4**



AX31083
Radio Box Seals **x1**



2 Sided Tape

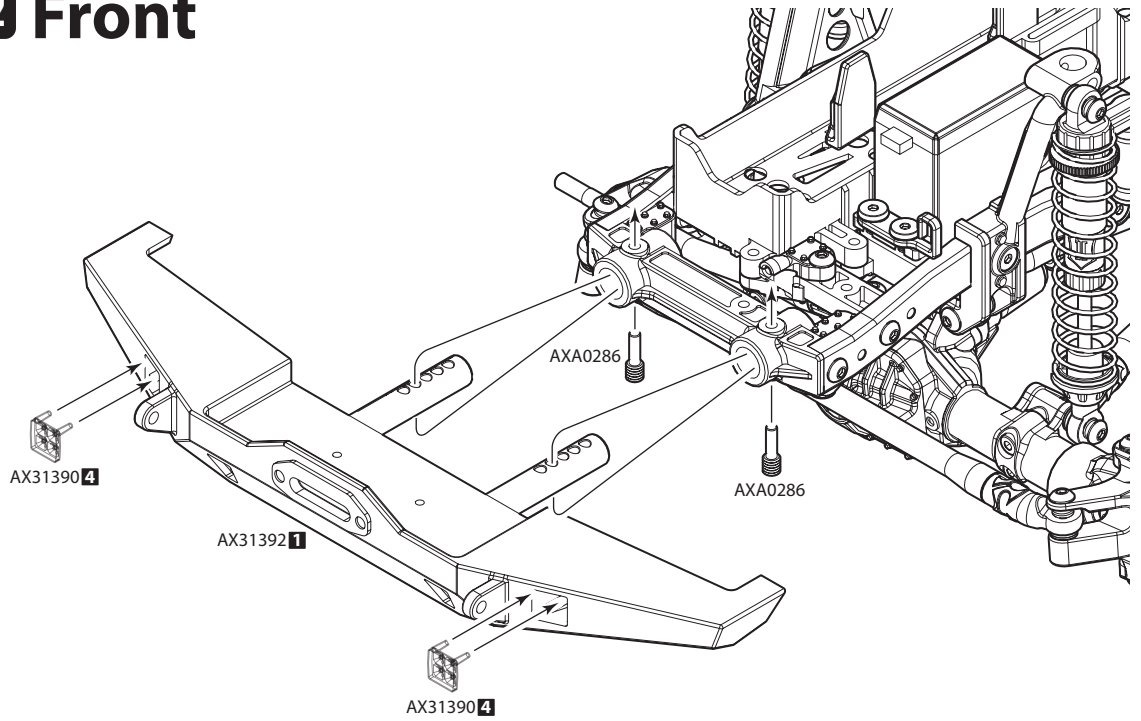


2 Sided Tape


AXA0286
M4x2.5x13mm

x2

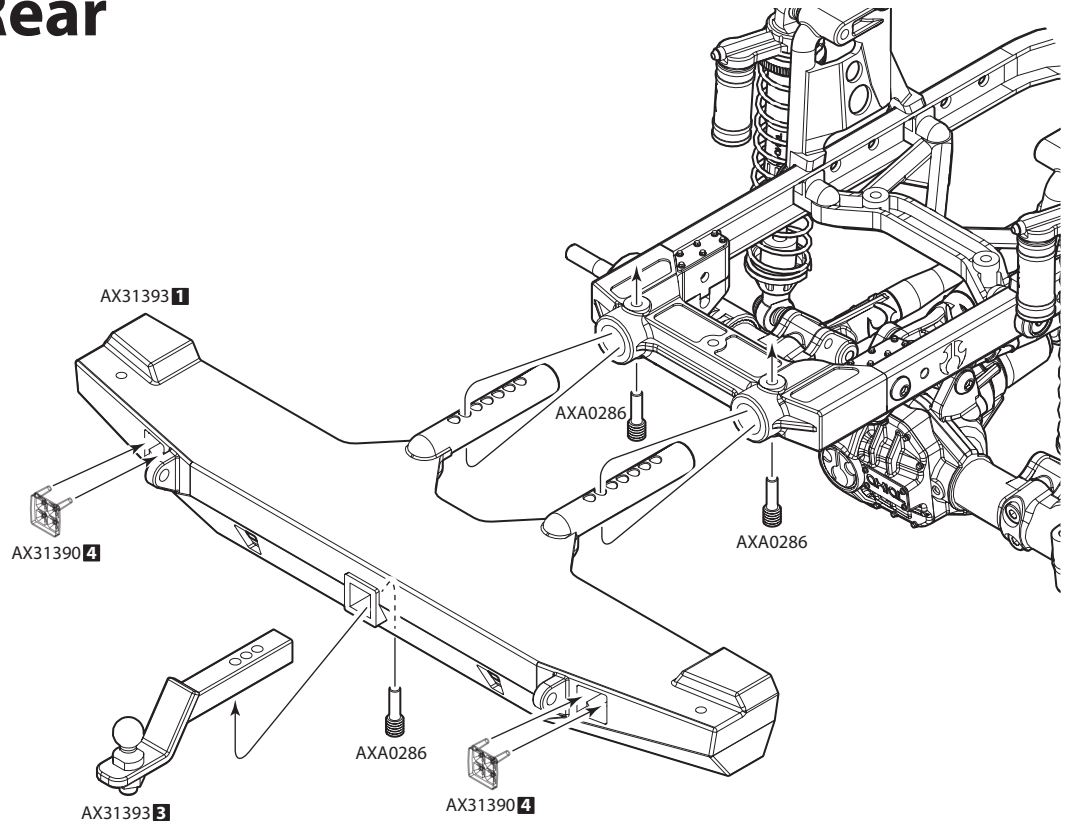
42 Front

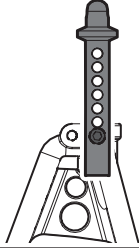
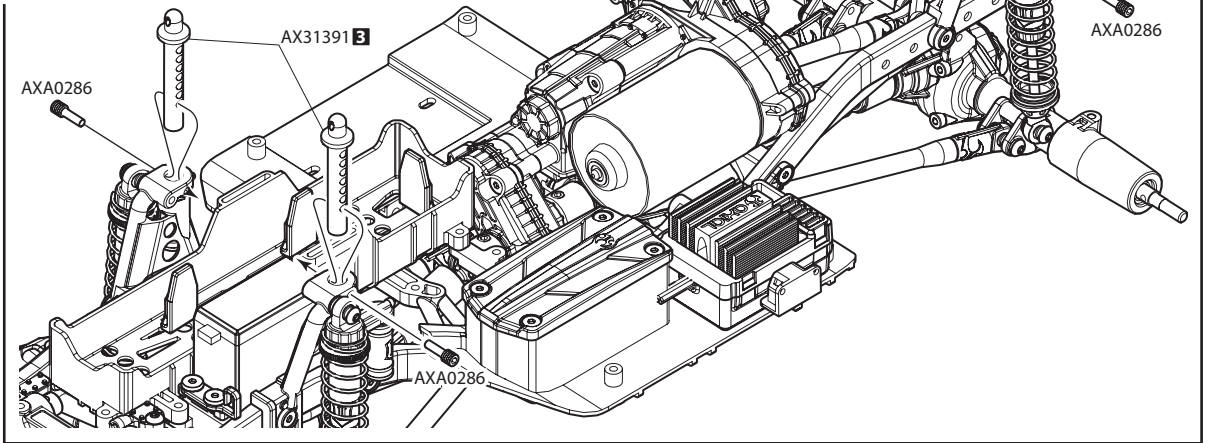
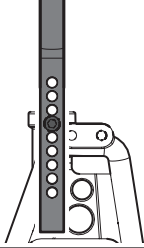



AXA0286
M4x2.5x13mm

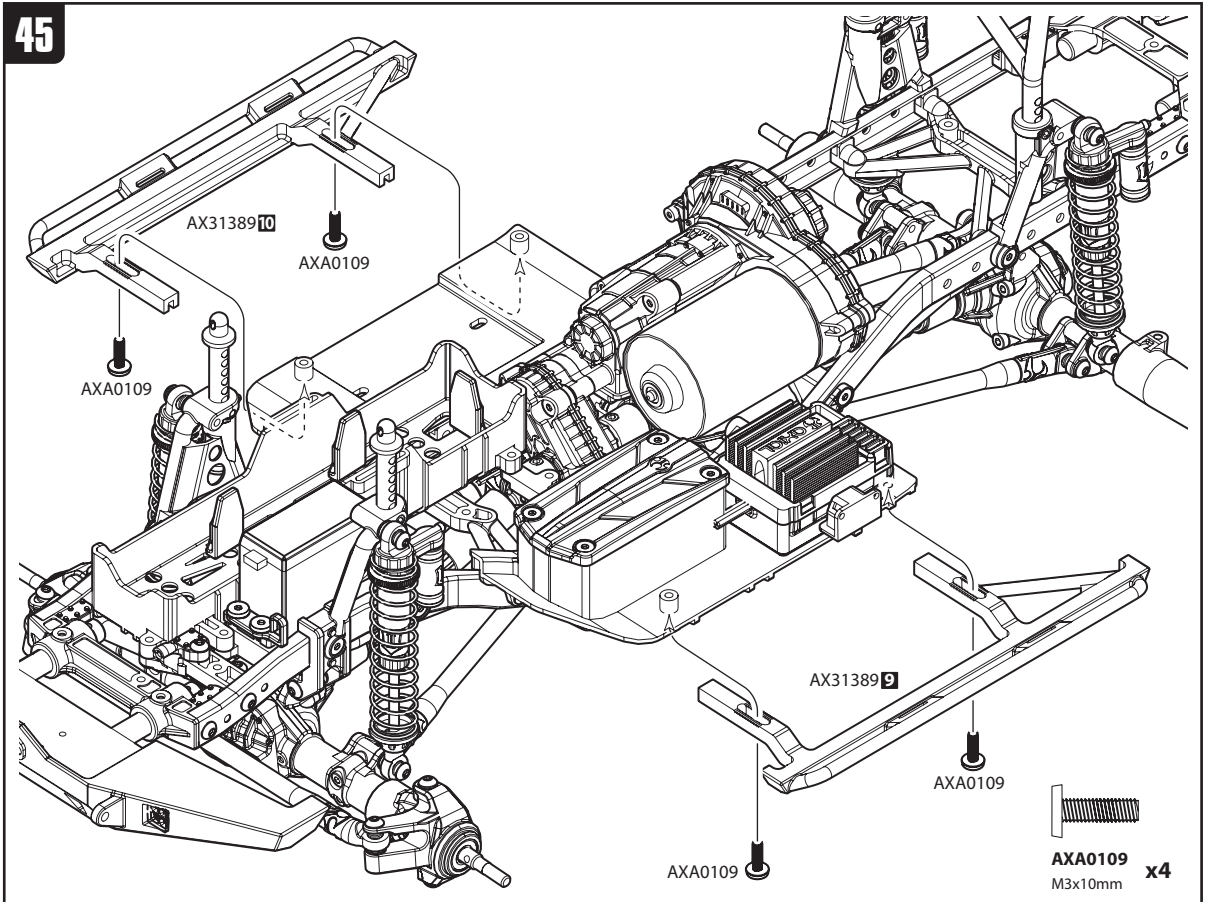
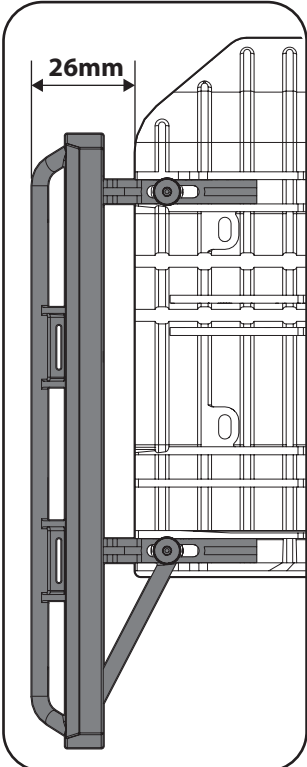
x3

43 Rear

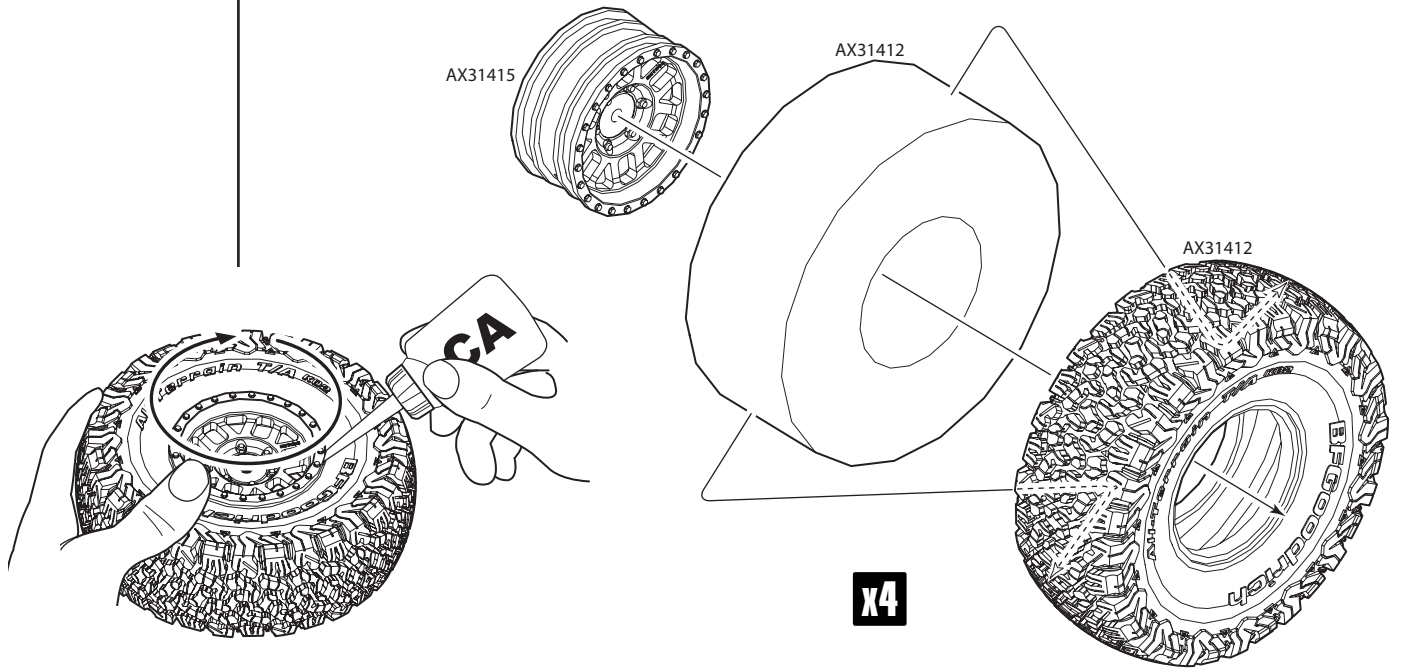


H**Open Bag H****44**AXA0286
M4x2.5x13mm**x4****Front****Rear****4****Open Plastic Bag 4****45**

26mm



46



47



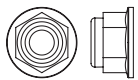
AX30427
12mm Aluminum Hub **x4**



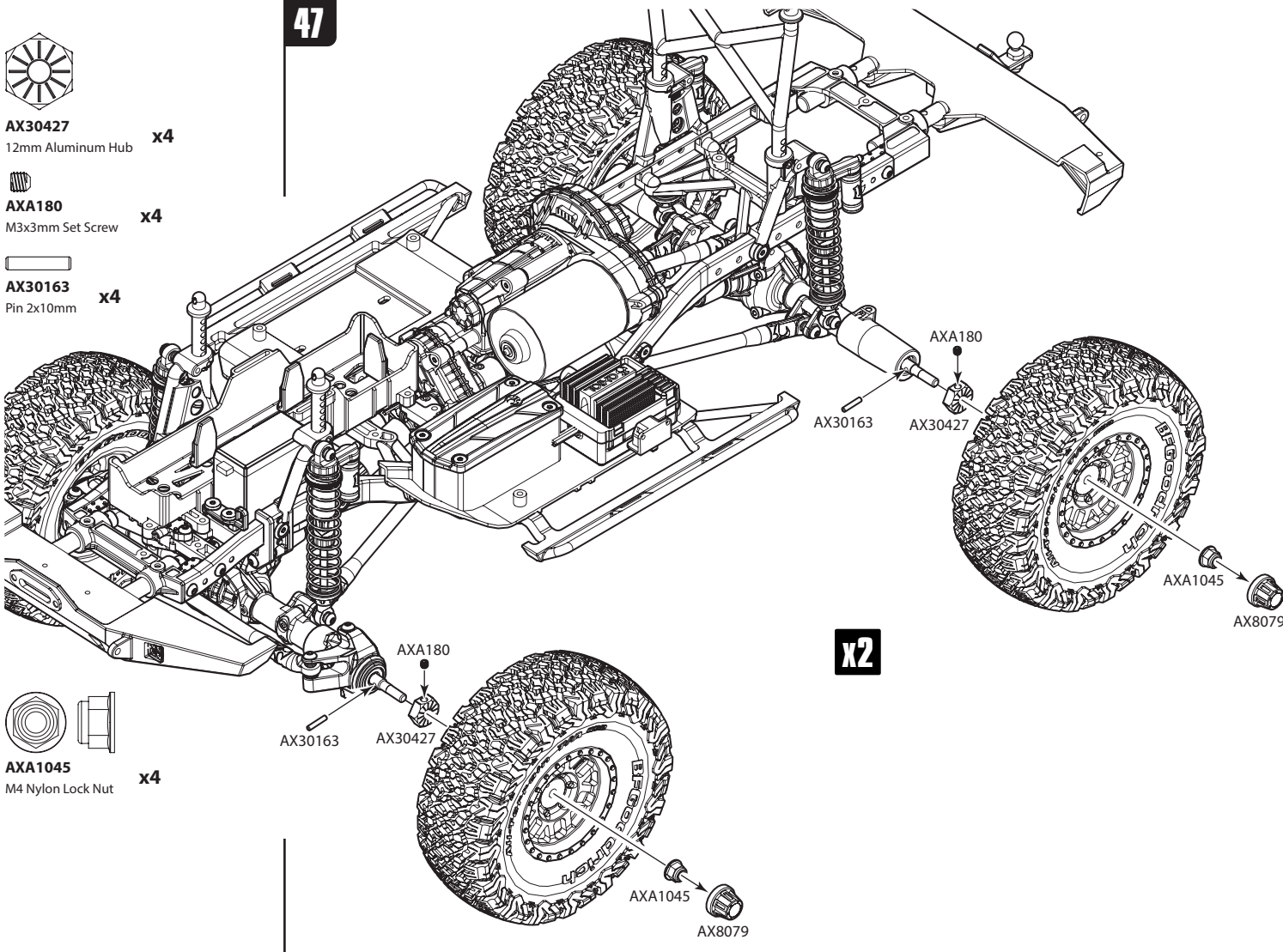
AXA180
M3x3mm Set Screw **x4**

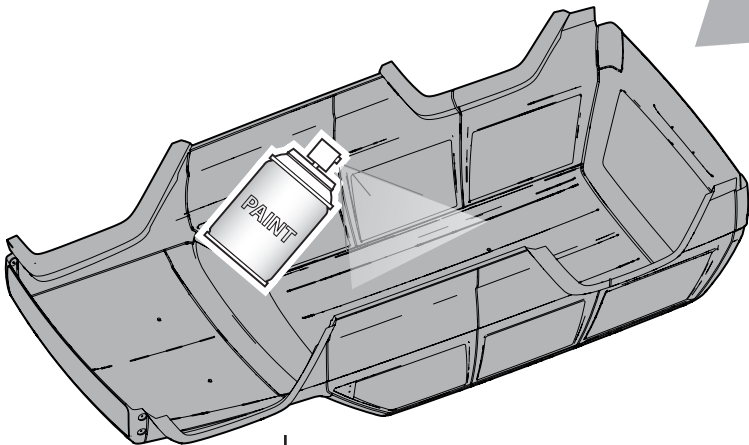
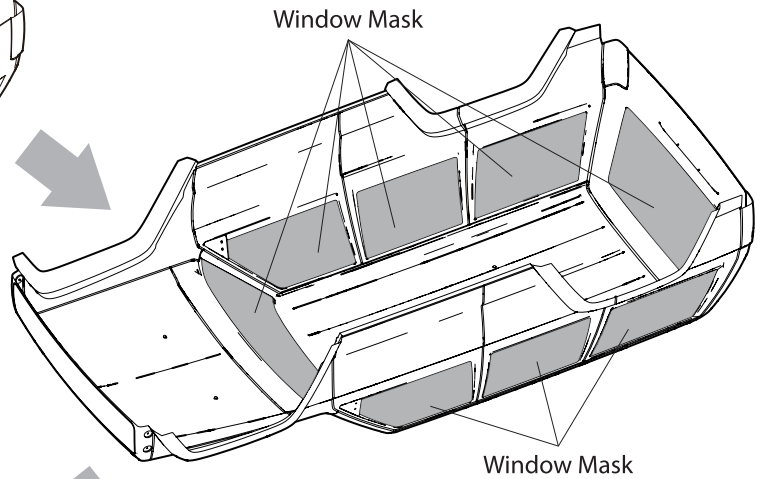
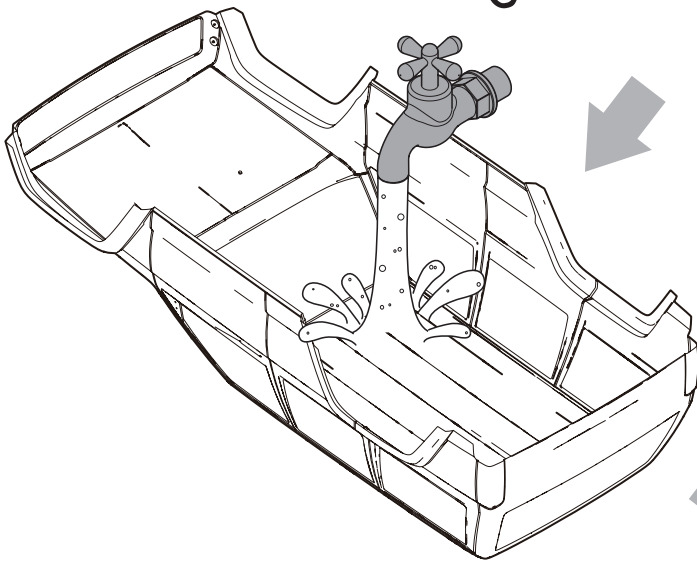
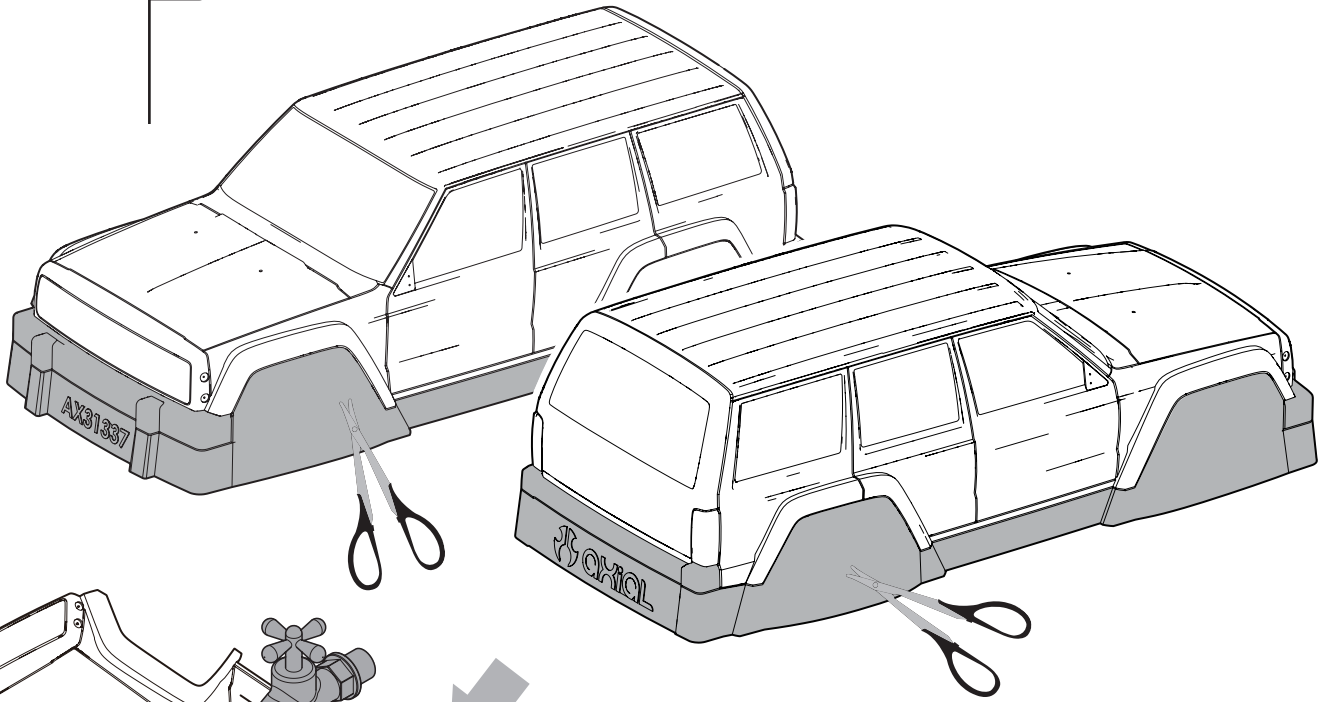


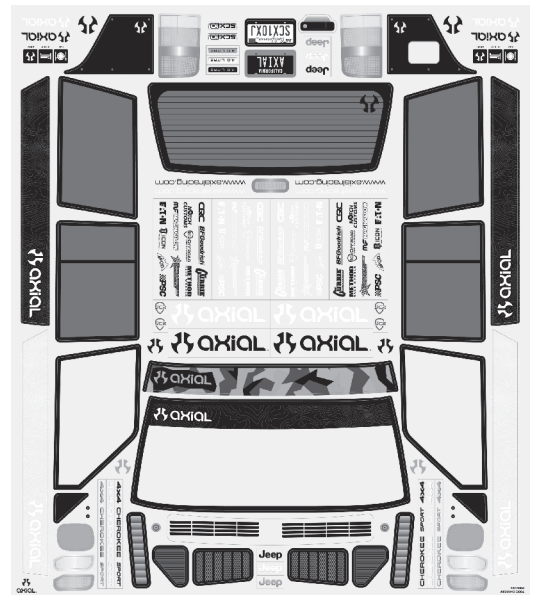
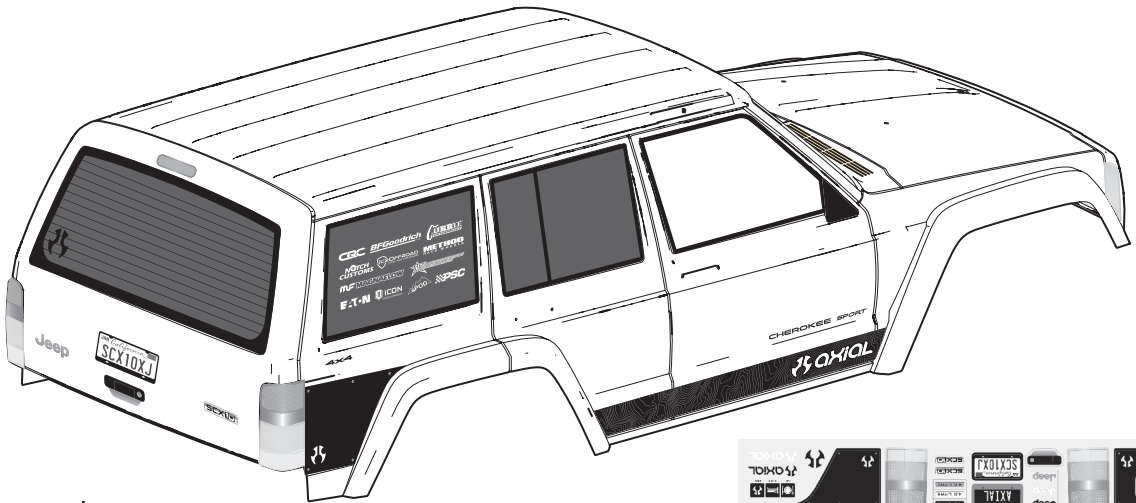
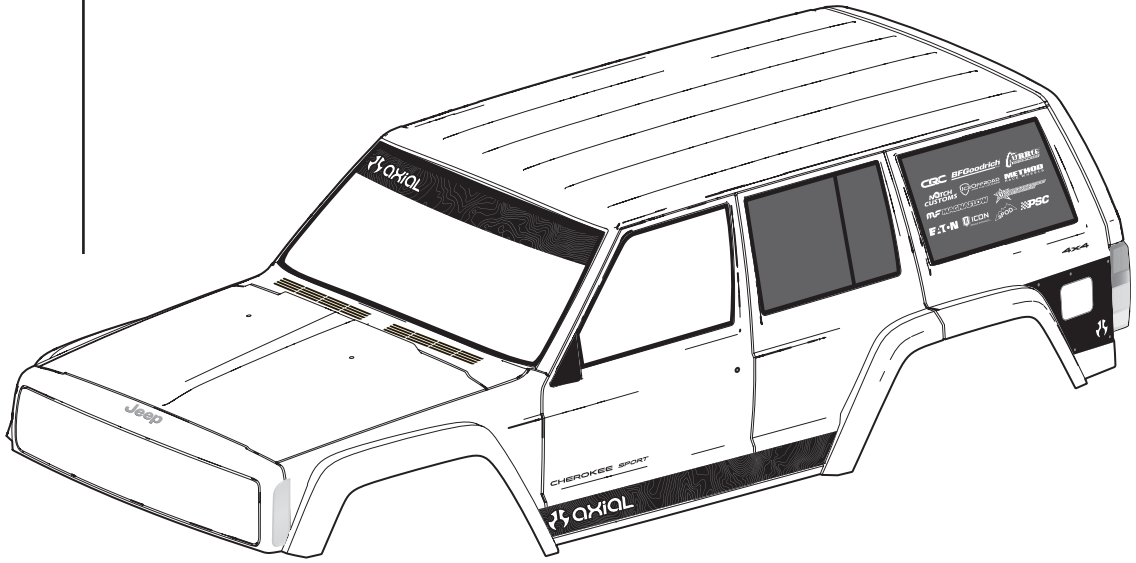
AX30163
Pin 2x10mm **x4**



AXA1045
M4 Nylon Lock Nut **x4**



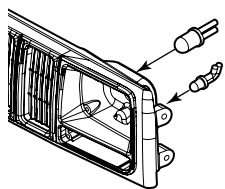




AXA013
M2x6mm **x2**

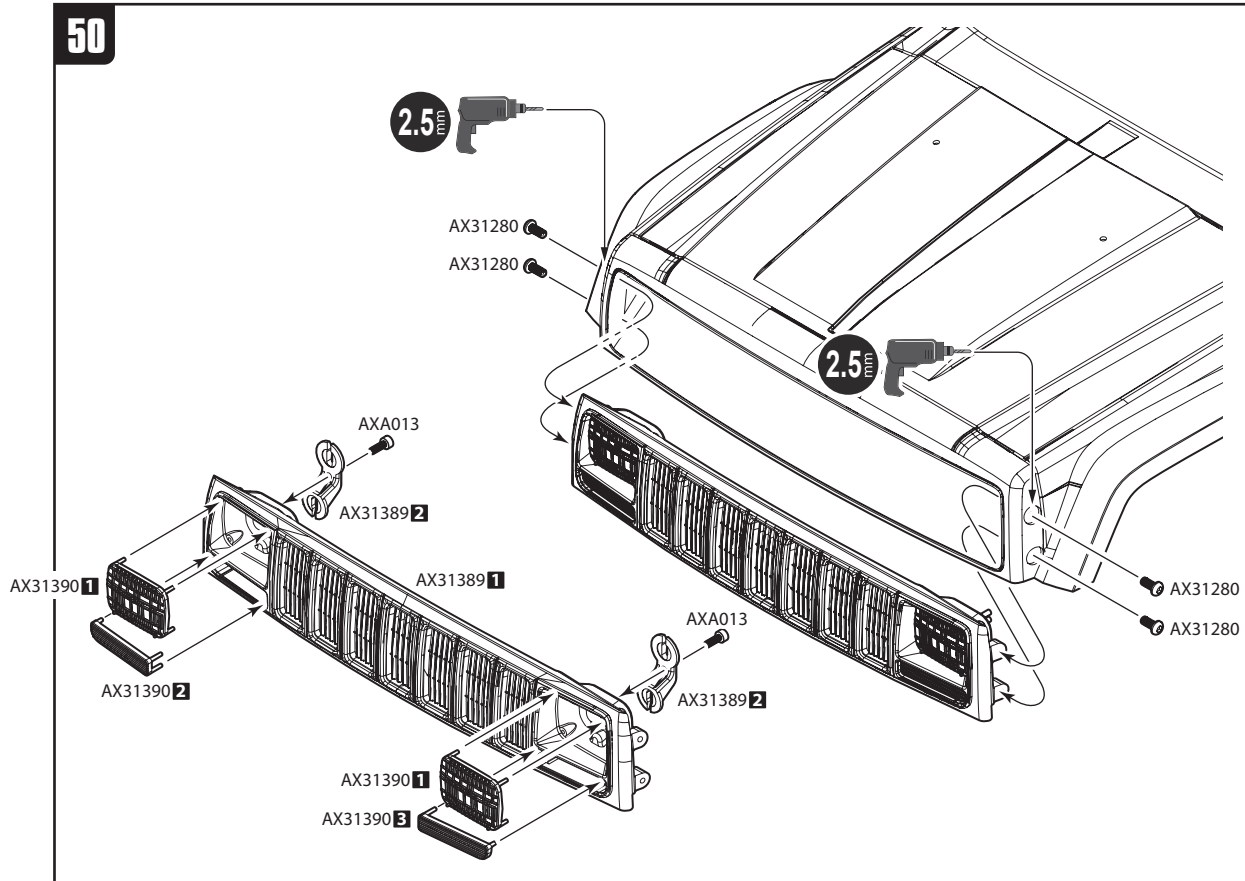
AX31280
M2.6x6mm **x4**

Option Parts



AX24252
Axial Double LED Light String

50



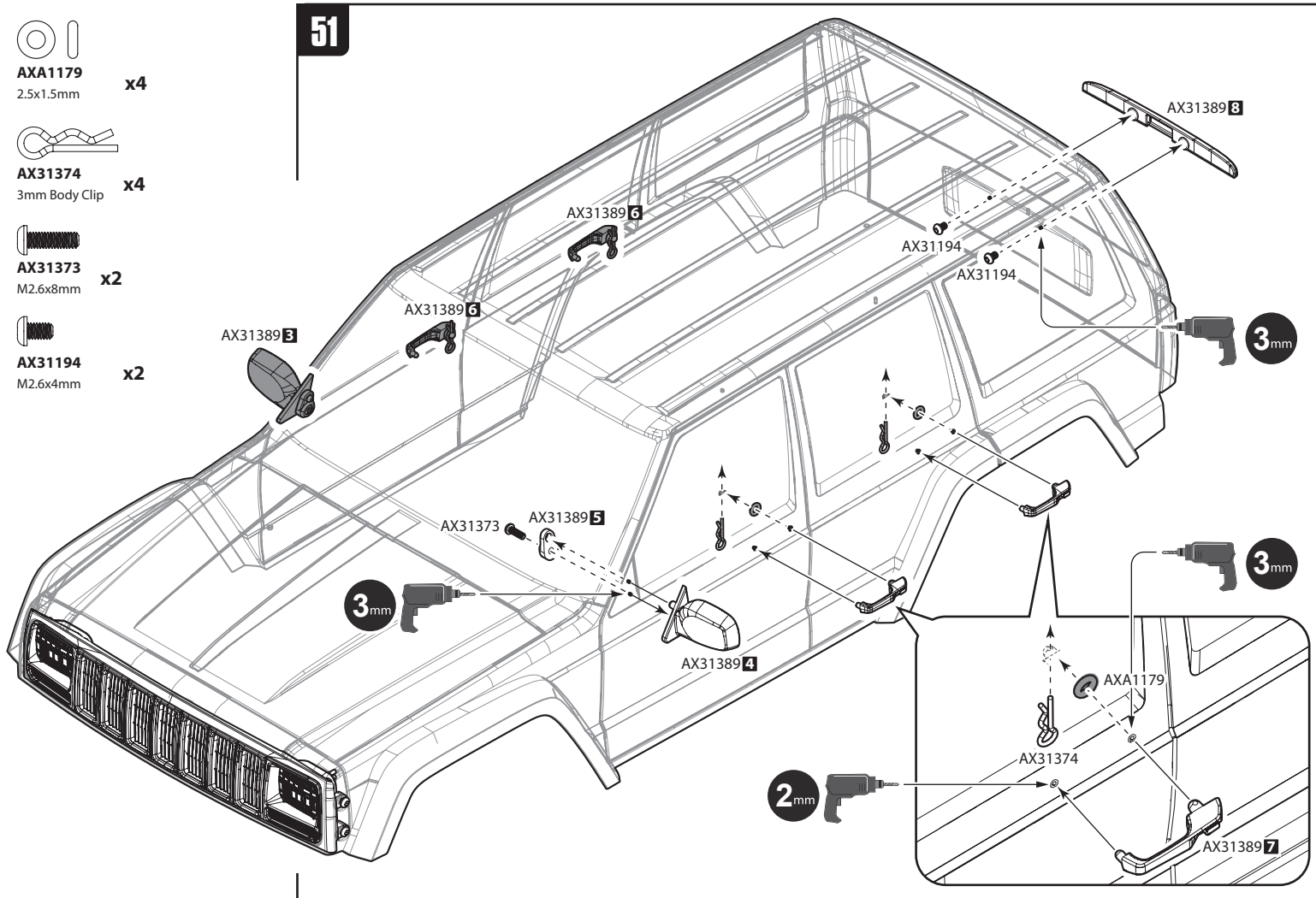
51

AXA1179
2.5x1.5mm **x4**

AX31374
3mm Body Clip **x4**

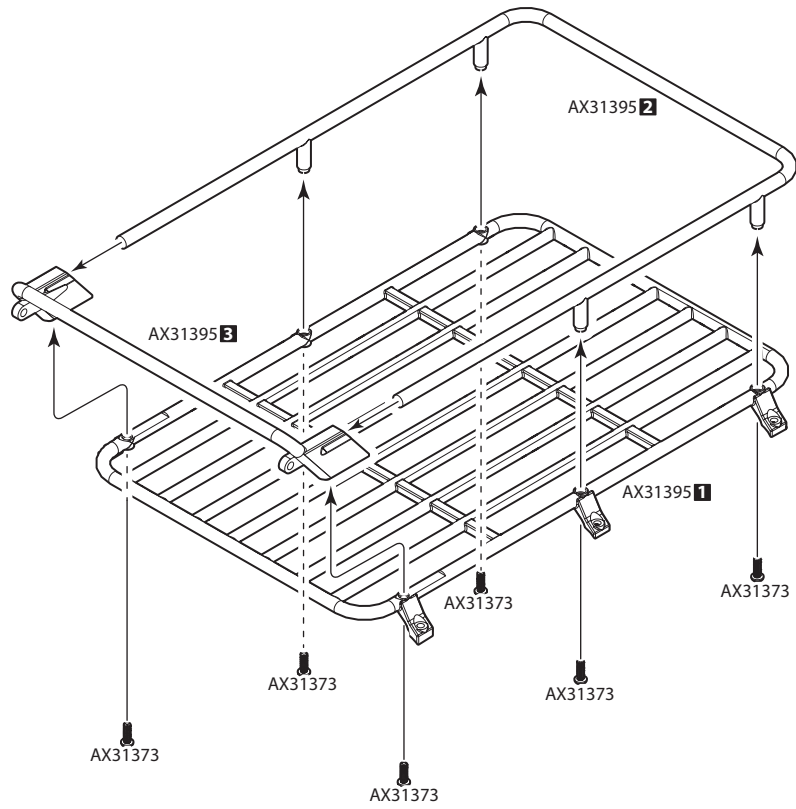
AX31373
M2.6x8mm **x2**

AX31194
M2.6x4mm **x2**



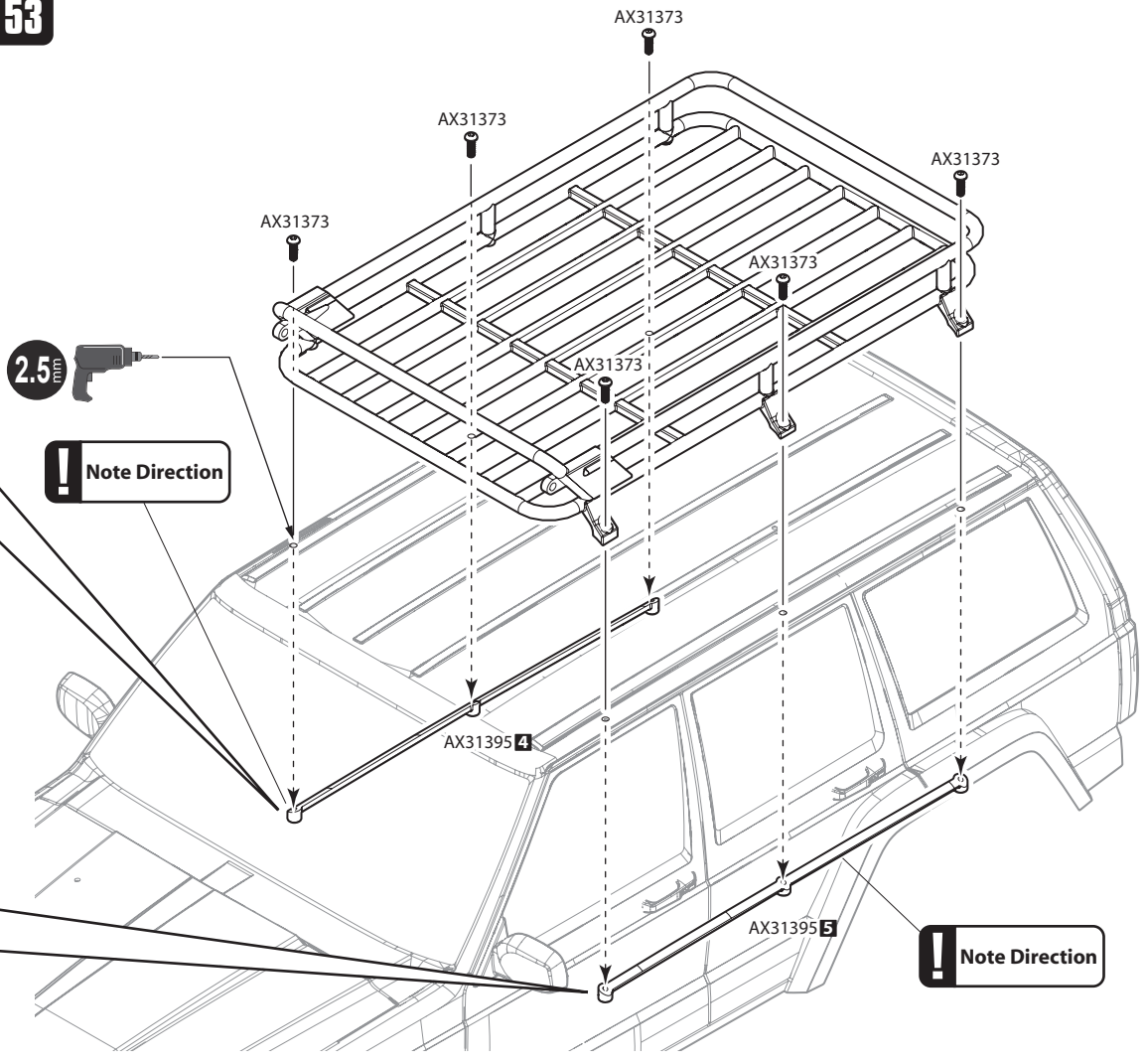
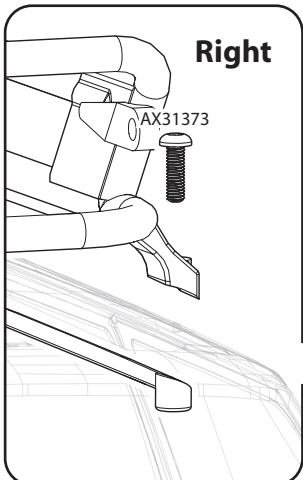
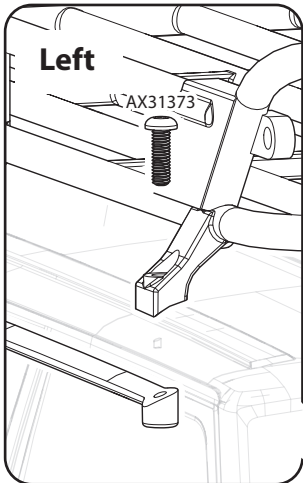
AX31373
M2.6x8mm **x6**

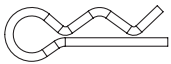
52



AX31373
M2.6x8mm **x6**

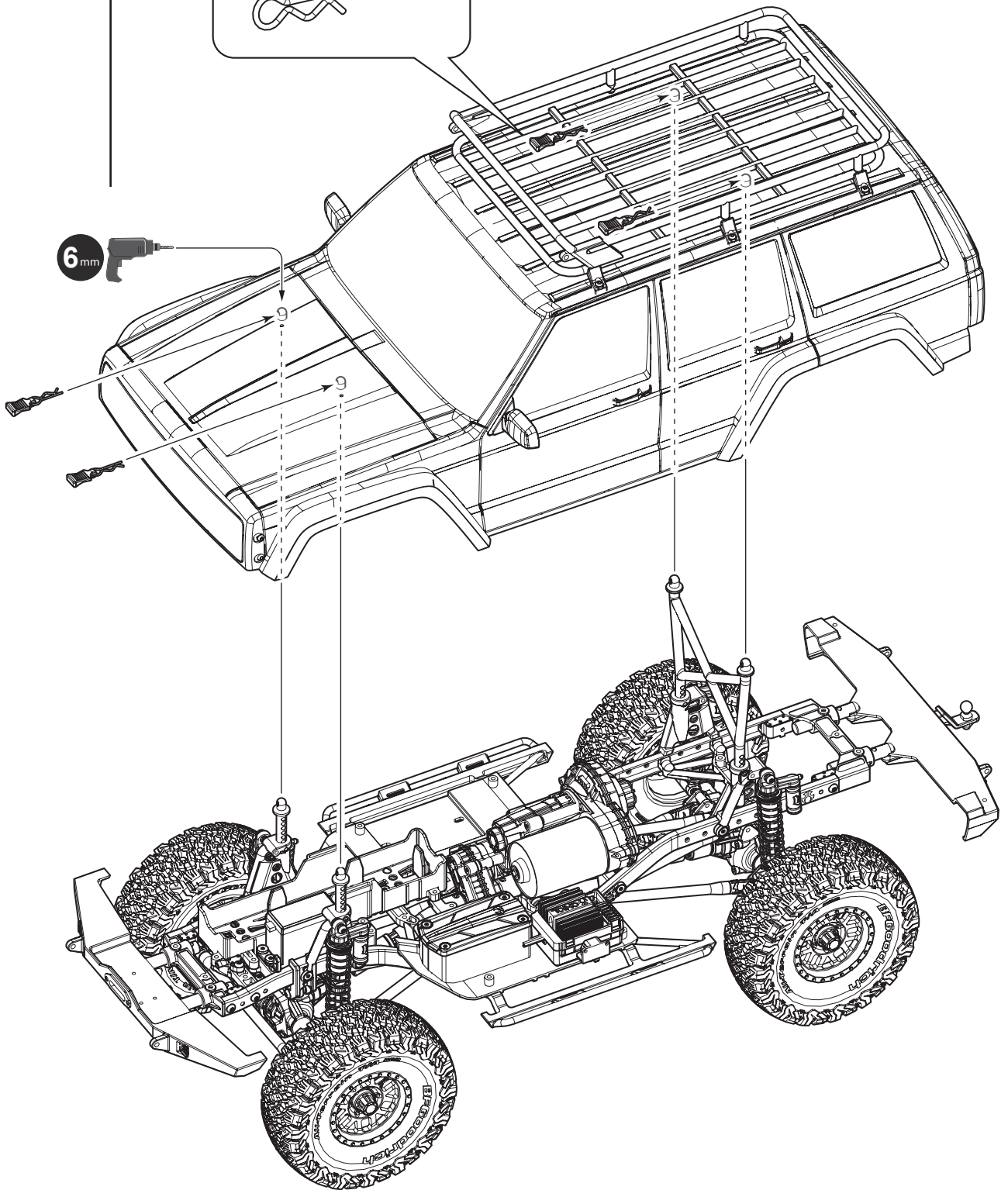
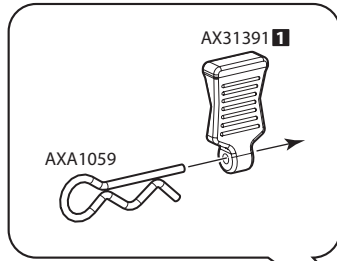
53



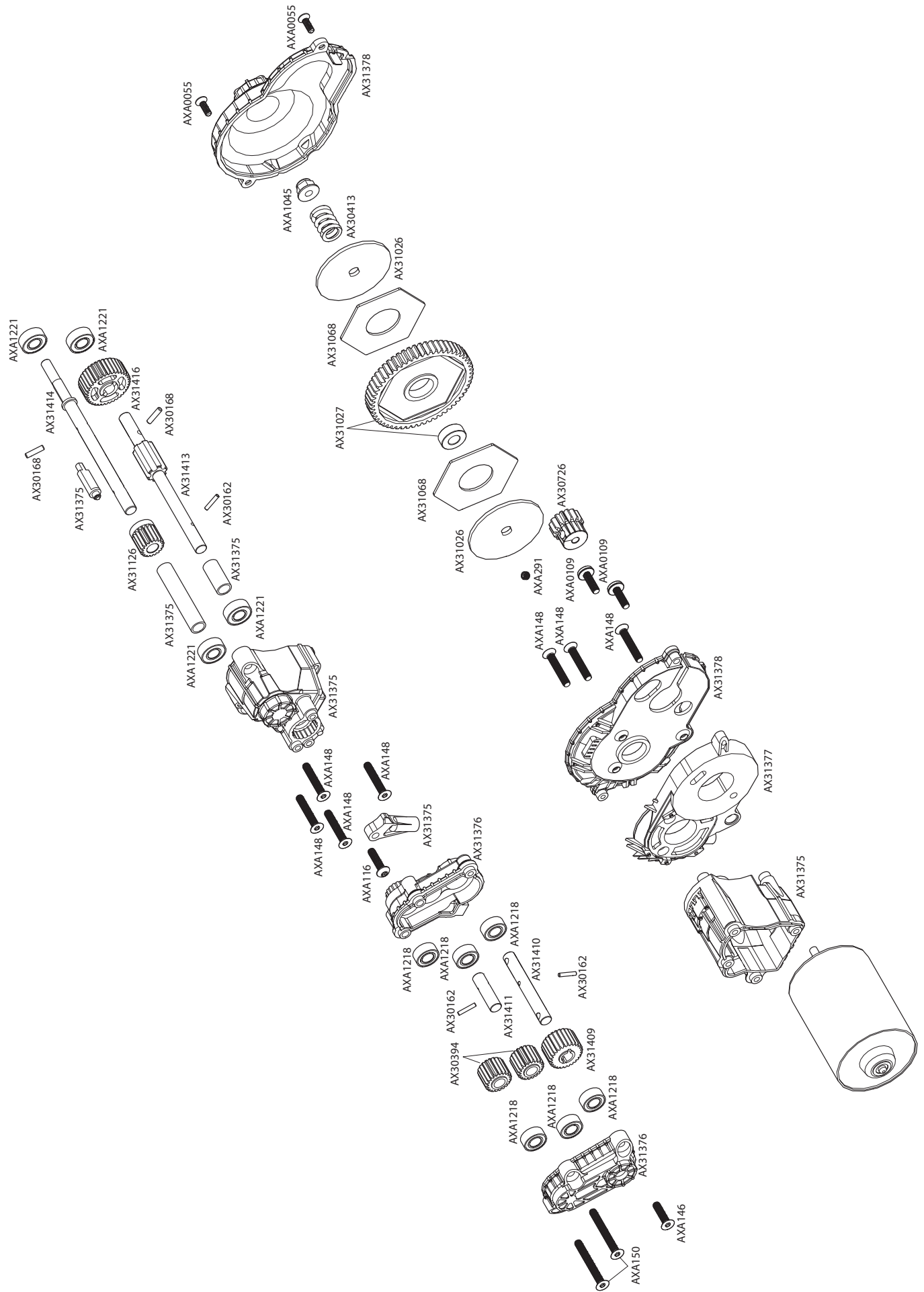


AXA1059
6mm Body Clip x4

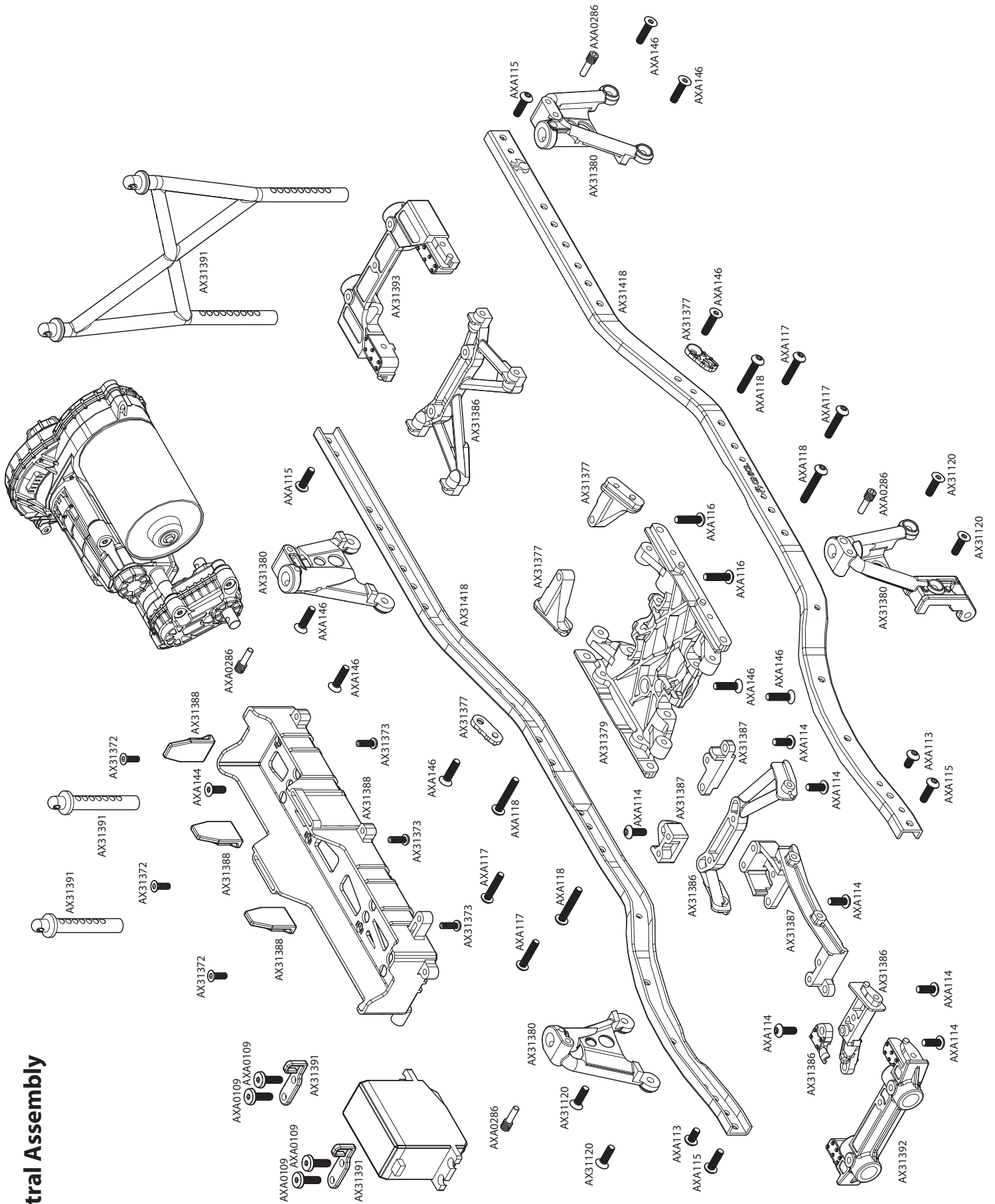
54



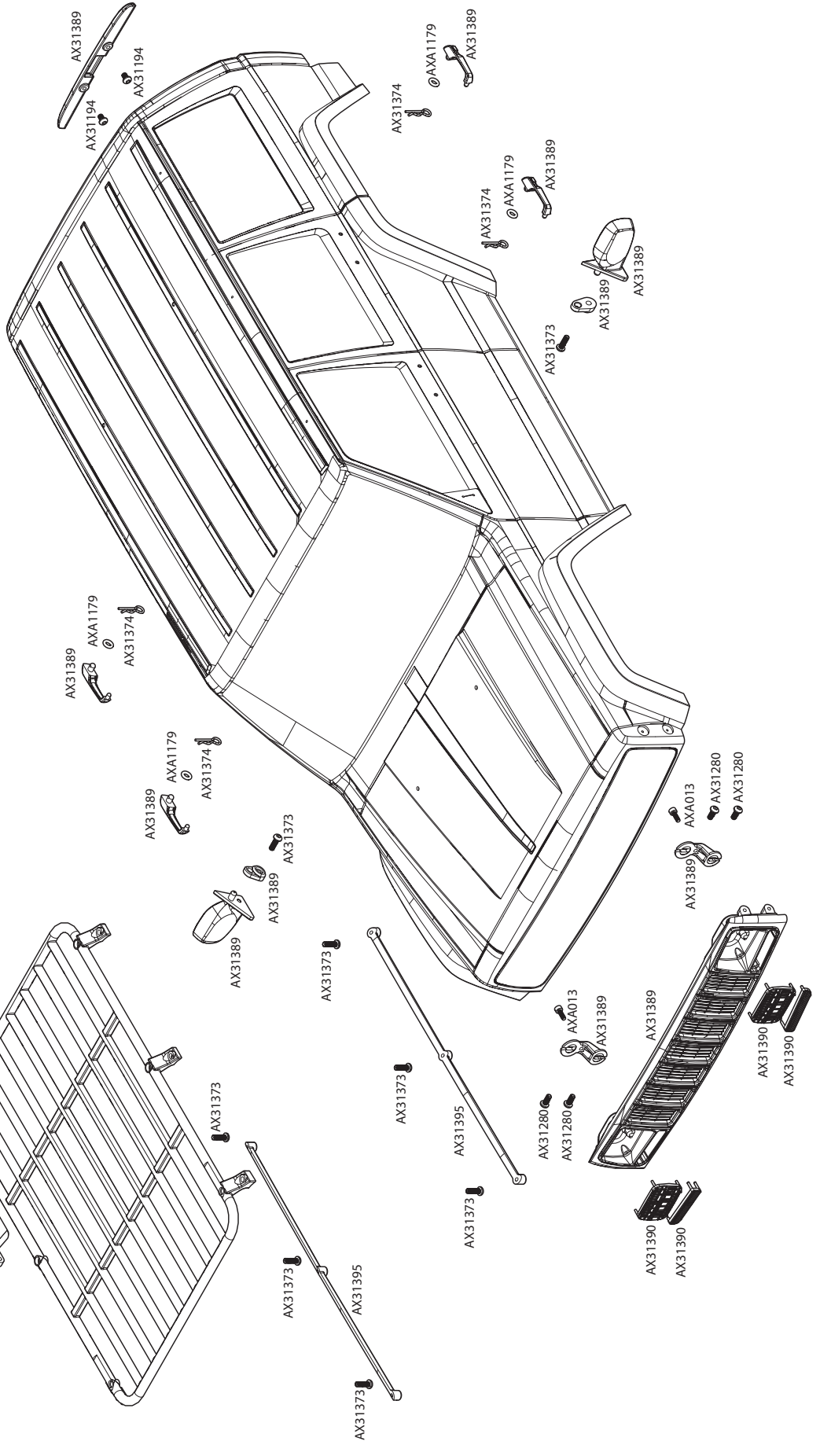
Central Differential



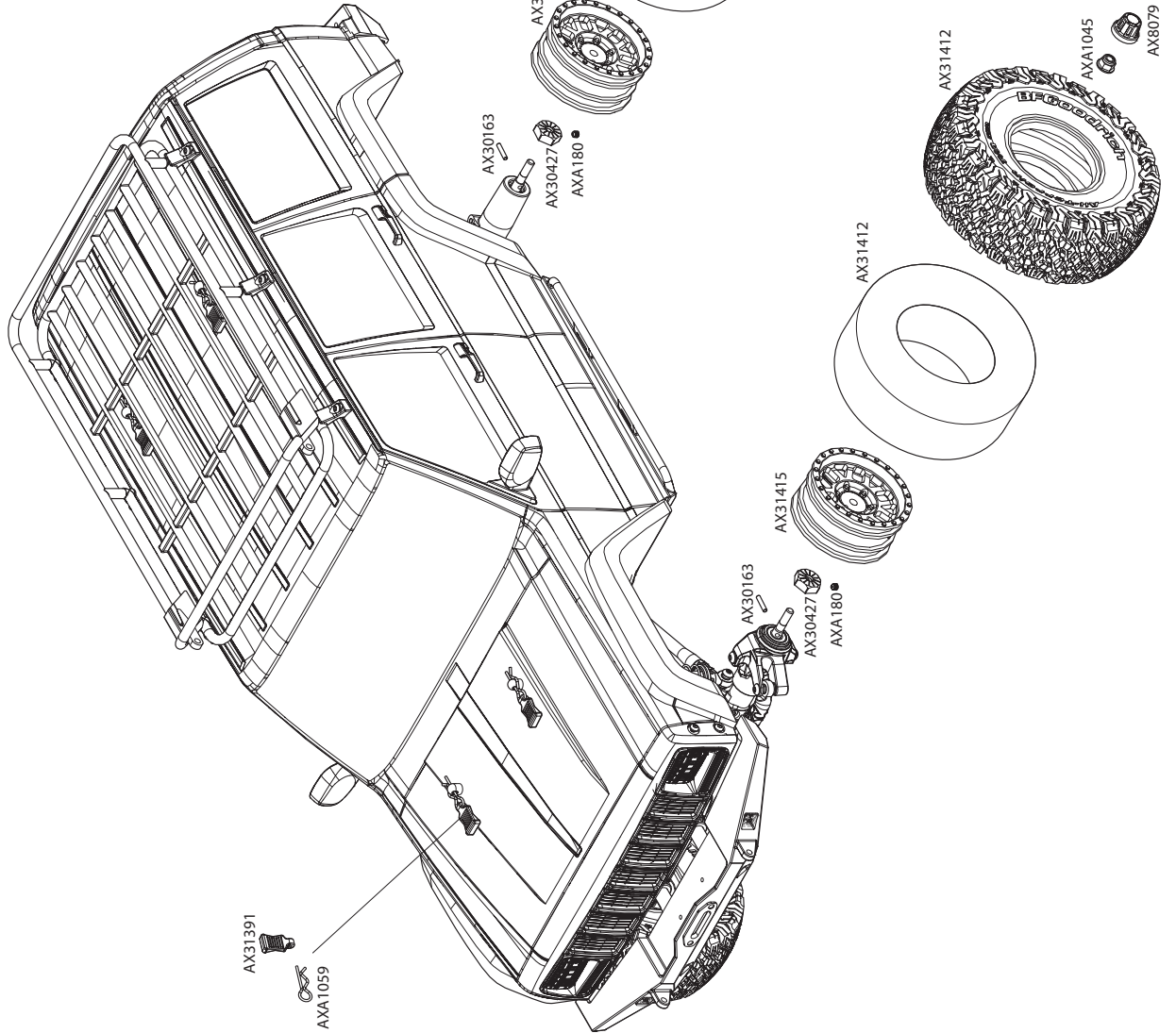
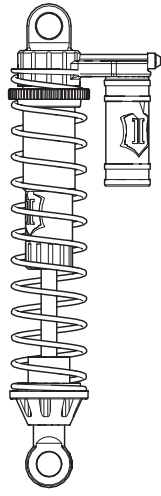
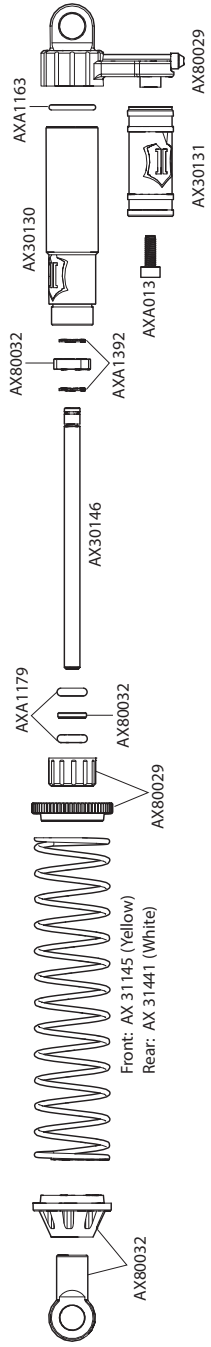
Central Assembly



Body Assembly



Wheel Assembly



Parts List

Part #	Description	Part #	Description
AX30041	Velcro Strap 15x160mm	AX31419	Threaded Aluminum Link 7.5x80mm - Hard Anodized (2pcs)
AX30130	Icon Clear Anodized Aluminum Shock Body 10x38mm (2pcs)	AX31420	Threaded Aluminum Link 7.5x101.5mm - Hard Anodized (2pcs)
AX30131	Icon Clear Anodized Aluminum Shock Reservoir (2pcs)	AX31421	Threaded Aluminum Link 7.5x71mm - Hard Anodized (2pcs)
AX30146	Shock Shaft 3x50 (2pcs)	AX31422	Threaded Aluminum Link 7.5x93mm - Hard Anodized (2pcs)
AX30162	Pin 1.5x8mm (6pcs.)	AX31423	Threaded Aluminum Link 7.5x56.5mm - Hard Anodized (2pcs)
AX30163	Pin 2.0x10mm (6pcs.)	AX31424	Threaded Aluminum Link 7.5x107mm - Hard Anodized (2pcs)
AX30166	Pin 1.5x11mm (6pcs)	AX31441	Spring 12.5x60mm 1.13 lbs/in - (White) (2pcs)
AX30168	Pin 2x8mm (6pcs.)	AX80006	Servo Set
AX30394	20T Drive Gear	AX80018	Hardware Parts Tree
AX30413	Slipper spring 8.5x12 165 lbs/in - Black (2pcs)	AX80029	Shock Cap Parts Tree
AX30427	Axial Narrow 12mm Aluminum Hub - Black (4pcs)	AX80032	Shock Parts
AX30726	Pinion Gear 32P 15T (3mm shaft)	AX8079	Axial Hub Cover Set - Black (4pcs)
AX31026	Slipper Plate Washer 33x5x1.5mm (2pcs)	AXA0055	M2.6x12mm Flat Head (Black) (10pcs)
AX31027	Spur Gear 32P 56T	AXA0109	M3x10mm Oversized Flat Hex Socket (Black) (10pcs)
AX31028	Pin 2.0x11mm (6pcs)	AXA0113	M3x6mm Hex Socket Button Head (Black) (10pcs)
AX31068	Slipper Pad 32.8x15.2x1mm (2pcs)	AXA013	M2x6 mm Cap Head (Black) (10pcs)
AX31083	Radio Box Seals	AXA0286	Screw Shaft M4x2.5x12mm (6pcs)
AX31083	Radio Box Seals	AXA087	M3x16mm Cap Head (Black) (10pcs)
AX31114	WB8-HD Driveshaft	AXA1045	M4 Nylon Lock Nut (Black) (10pcs)
AX31120	M3x10mm Hex Socket Flat Head (Black) (10pcs)	AXA1052	M3 Thin Nylon Locking Hex Nut (Black)
AX31125	Yeti™ Fuel Cell	AXA1059	6mm Body clip (Black) (10pcs)
AX31145	Spring 12.5x60mm 2.63 lbs/in - (Yellow) (2pcs)	AXA1070	Washer 3x6x0.5 (10pcs)
AX31148	WB8-HD Driveshaft Coupler Set		M3x8mm Hex Socket Button Head (Black) (10pcs)
AX31186	M4 Rod End Set	AXA115	M3x10mm Hex Socket Button Head (Black) (10pcs)
AX31194	M2.6x4mm Hex Socket Button Head (Black) (10pcs)	AXA116	M3x12mm Hex Socket Button Head - Black (10pcs)
AX31280	M2.6x6mm Hex Socket Button Head (Black) (10pcs)	AXA1163	O-Ring 7x1mm (10pcs)
AX31337	2000 Jeep® Cherokee Body - .040" (Clear) - Body Only	AXA117	M3x15mm Hex Socket Button Head (Black) (10pcs)
AX31343	M4x20mm Set Screw (Black) (10pcs)	AXA1179	O-Ring 2.5x1.5mm (10pcs)
AX31372	M2.6x8mm Hex Socket Flat Head (Black) (10pcs)	AXA118	M3x18mm Hex Socket Button Head - Black (10pcs)
AX31373	M2.6x8mm Hex Socket Button Head (Black) (10pcs)	AXA119	M3x20mm Hex Socket Button Head (Black) (10pcs)
AX31374	3mm Body Clip (Black) (10pcs)	AXA120	M3x25mm Hex Socket Button Head (Black) (10pcs)
AX31375	SCX 2-Speed Transmission Case	AXA1218	Bearing 5x10x4mm (2pcs)
AX31376	SCX 2-Speed Transfer Case	AXA1221	Bearing 5x11x4mm (2pcs)
AX31377	SCX 2-Speed Transmission Motor Mount	AXA1230	Bearing 10x15x4mm
AX31378	SCX 2-Speed Transmission Spur Gear Cover	AXA1392	E2 e-clip (10pcs)
AX31379	SCX10 II Skid Plates	AXA144	M3x8mm Hex Socket Flat Head (Black) (10pcs)
AX31380	SCX10 II Shock Hoops	AXA146	M3x12mm Hex Socket Flat Head - Black (10pcs)
AX31381	AR44 Steering Knuckles	AXA148	M3x18mm Hex Socket Flat Head (Black) (10pcs)
AX31382	AR44 Steering Knuckle Carriers	AXA150	M3x25mm Hex Socket Flat Head (Black) (10pcs)
AX31383	AR44 Straight Axle Adapters	AXA180	M3x3mm Set Screw (Black) (10pcs)
AX31384	AR44 Differential Cover and Link Mounts (Red)	AXA291	M4x4mm Set Screw (Black) (6pcs.)
AX31385	SCX10 II Side Plates		
AX31386	SCX10 II Frame Braces		
AX31387	SCX10 II Servo Mounts		
AX31388	SCX10 II Battery Tray		
AX31389	2000 Jeep® Cherokee Exterior Details		
AX31390	Headlight and Turn Signal Lenses		
AX31391	SCX10 II Body Posts		
AX31392	JCROffroad Vanguard Front Bumper		
AX31393	JCROffroad Vanguard Rear Bumper		
AX31395	JCROffroad Roof Rack		
AX31397	WB8-HD Shorty Driveshaft		
AX31398	M2.6x12mm Cap Head (Black) (10pcs)		
AX31399	M2.6x18mm Cap Head (Black) (10pcs)		
AX31401	AR44 Axle Housing		
AX31402	AR44 Universle Axle Set (2pcs)		
AX31403	M3x4x10mm Hex Socket Button Head Shoulder Screw (Black) (6pcs)		
AX31404	AR44 Differential Locker		
AX31405	Heavy Duty Bevel Gear Set - 30T/8T		
AX31406	Bearing 7x14x3.5mm (2pcs)		
AX31407	Bearing 5x14x5mm (2pcs)		
AX31408	AR44 Straight Axle Shaft 5x106mm (2pcs)		
AX31409	48P 26T Transmission Gear		
AX31410	Transfer Case Output Shaft (5x37.5mm)		
AX31411	Gear Shaft (5x18mm)		
AX31412	1.9 BFGoodrich All-Terrain T/A KO2 - R35 Compound (2pcs)		
AX31413	2-Speed Hi/Lo Transmission Bottom Shaft (5x76.5mm)		
AX31414	2-Speed Hi/Lo Transmission Top Shaft (5x85.5mm)		
AX31415	1.9 Method Mesh Wheels - Black (2pcs)		
AX31416	32P 36T Transmission Gear		
AX31418	SCX10 II Chassis Rails (2pcs)		

Option Parts

Part #	Description	Part #	Description
AX04032	AX10 Ridgecrest Body - .040" (Clear)	AX31443	Spring 12.5x60mm 1.70 lbs/in - (Green) (2pcs)
AX04033	2012 Jeep Wrangler Unlimited Rubicon™ Body - .040" (Clear) - Body Only	AX31444	Spring 12.5x60mm 0.70 lbs/in - (Red) (2pcs)
AX04034	2012 Jeep Wrangler Unlimited Rubicon™ Roof - .040" (Clear)	AX4010	Axial Dingo Truck Body - .040" uncut (Clear)
AX04035	2012 Jeep Wrangler Unlimited Rubicon™ Body - .040" (Clear) - Complete	AX4010R	Axial Dingo Truck Body - .040" uncut (Clear) - Body Only
AX04038	Jeep® Wrangler Rock Racer Body - .040" (Clear) - Body Only	AX4025	Axial Trail Honcho Truck Body - .040" uncut (Clear) w/Molded Rear Cage
AX04039	AX10 Deadbolt Body - .040" (Clear) - Body Only	AX4025R	Axial Trail Honcho Truck Body - .040" uncut (Clear) - Body Only
AX08140	1.9 Walker Evans Street Wheel - Chrome/Black (2pcs)	AX80037	Interior Details Parts Tree - Black
AX12019	1.9 Maxxis Trepador Tires - R35 Compound (2pcs)	AX80038	Exterior Detail Parts Tree - Black
AX24003	20T Electric Motor	AX80039B	1/10th Scale Rear Plate Bumper Set
AX24007	Axial 55T Electric Motor	AX80040	1/10th Scale Fender Flare Set (2pcs)
AX24251	Axial NVS - Night Visions System	AX80041	1/10th Scale Rock Rails Set (2pcs)
AX24252	Axial Double LED Light String (White LED)	AX80044	Axial SCX10 Tube Bumper Parts Tree
AX24253	Axial Double LED Light String (Red LED)	AX80045	Axial Light Bucket Set (Black)
AX24254	Axial Double LED Light String (Orange LED)	AX80047	Interior Details Parts Tree - Chrome
AX24255	Axial Single LED Light String (White LED)	AX80048	Exterior Detail Parts Tree - Chrome
AX24256	Axial 5 LED Light String (White LED)	AX80049	Axial LED Lens Set - Yellow/Clear (4pcs)
AX24257	Simple LED Controller w/LED lights (4 white and 2 Red)	AX80085	Universal Mount 5 Bucket Light Bar (Black)
AX24258	4 LED Light String (White LED)	AX80086	Light Bar Lenses (Clear) (5pcs)
AX24259	Axial AE-2 Forward/Reverse ESC w/ Drag Brake	AX80115	Light Bar Lens Grills (Axial, PIAA, Un-Marked)
AX24260	AE-3 Vanguard ESC	AX8080	Axial Hub Cover Set - Satin Chrome (4pcs)
AX30090	Axial 61-90mm Aluminum Shock Set - 7mm Piston (2pcs)	AX8087	Axial 1.9 8 Hole Beadlocks - Black (2pcs)
AX30103	Icon 61-90mm Aluminum Shock Set - 7mm piston (2pcs)	AX8088	Axial 1.9 8 Hole Beadlocks - Satin Chrome (2pcs)
AX30114	Axial Hard Anodized Aluminum Shock Reservoir (2pcs)	AX8122	Axial 1.9 Beadlock Ring - Grey (2pcs)
AX30115	Axial Hard Anodized Aluminum Pre-load collar (2pcs)	AX8127	Axial 1.9 Rock Beadlock Ring - Grey (2pcs)
AX30117	Axial Hard Anodized Aluminum Shock Body 10x38mm (2pcs)	AXA1046	M4 Serrated Nylon Lock Nut (Blue) (4pcs)
AX30130	Icon Clear Anodized Aluminum Shock Body 10x38mm (2pcs)	AXA1076	Cap Head Washer M3x10mm (4pcs)
AX30131	Icon Clear Anodized Aluminum Shock Reservoir (2pcs)	AXA1101	Cone Washer 3x6.9x2mm (6pcs)
AX30132	Machined Shock Piston 7mm - 1.5x3 (4pcs)	AXA1104	Cone Washer 3x6.9x2mm - Orange (6pcs)
AX30200	Spring 12.5x20mm 3.6 lbs/in - Super Soft (Red) - (2pcs)	AXA1105	Cone Washer 3x6.9x2mm - Grey (6pcs)
AX30201	Spring 12.5x20mm 4.32 lbs/in - Soft (White) - (2pcs)	AXA1331	Flanged Ball 3x5.8x7mm (6pcs)
AX30202	Spring 12.5x20mm 5.44 lbs/in - Medium (Green) - (2pcs)	AXA1412	0.5x6mm Spacer - Grey (6pcs)
AX30203	Spring 12.5x20mm 6.53 lbs/in - Firm (Yellow) - (2pcs)	AXA1413	1x6mm Spacer - Grey (6pcs)
AX30204	Spring 12.5x20mm 7.95 lbs/in - Super Firm (Blue) - (2pcs)	AXA1414	2x6mm Spacer - Grey (6pcs)
AX30205	Spring 12.5x40mm 2.7 lbs/in - Super Soft (Red) - (2pcs)	AXA1415	3x6mm Spacer - Grey (6pcs)
AX30206	Spring 12.5x40mm 3.6 lbs/in - Soft (White) - (2pcs)	AXA1416	4x6mm Spacer - Grey (6pcs)
AX30207	Spring 12.5x40mm 4.08 lbs/in - Medium (Green) - (2pcs)	AXA1417	5x6mm Spacer - Grey (6pcs)
AX30208	Spring 12.5x40mm 5.44 lbs/in - Firm (Yellow) - (2pcs)	AXA1418	6x6mm Spacer - Grey (6pcs)
AX30209	Spring 12.5x40mm 6.81 lbs/in - Super Firm (Blue) - (2pcs)	AXA1419	7x10mm Post - Grey (2pcs)
AX30487	AX10 Locked Transmission Set	AXA1420	7x15mm Post - Grey (2pcs)
AX30547	1.9 Internal Wheel Weight Ring 43g/1.5oz (2pcs)	AXA1421	7x20mm Post - Grey (2pcs)
AX30548	1.9 Internal Wheel Weight Insert 9g/0.33oz (4pcs) (for use with AX30547)	AXA1422	7x25mm Post - Grey (2pcs)
AX30709	Universal 5 Bucket Light Bar Set	AXA1423	7x30mm Post - Grey (2pcs)
AX30834	Aluminum Servo Horn 23T	AXA1424	7x35mm Post - Grey (2pcs)
AX30835	Aluminum Servo Horn 24T	AXA1425	7x40mm Post - Grey (2pcs)
AX30836	Aluminum Servo Horn 25T	AXA1426	7x45mm Post - Grey (2pcs)
AX30851	Steel Spur Gear 32P 48T	AXA1427	7x50mm Post - Grey (2pcs)
AX30852	Steel Spur Gear 32P 50T	AXA1428	7x55mm Post - Grey (2pcs)
AX30853	Steel Spur Gear 32P 52T	AXA1429	7x60mm Post - Grey (2pcs)
AX30854	Steel Spur Gear 32P 54T	AXA1430	7x65mm Post - Grey (2pcs)
AX31047	Brushless 3150KV Electric Motor	AXA1431	7x70mm Post - Grey (2pcs)
AX31093	1.9 BFGoodrich Krawler T/A - R35 Compound (2pcs)		
AX31094	1.9 Black Rock CRC Wheels - Black (2pcs)		
AX31097	3 Port High Output LED Controller		
AX31098	8 LED Light String (White LED)		
AX31143	1.9 Falken Wildpeak M/T - R35 Compound (2pcs)		
AX31176	Spawn Body - .040" (Clear)		
AX31250	M4 Serrated Nylon Lock Nut (Black) (10pcs)		
AX31267	Jeep® NuKizer 715 Body - .040" (Clear)		
AX31268	Jeep® Mighty FC Body - .040" (Clear)		
AX31312	35T Electric Motor		
AX31314	Aluminum Shock Body 12x47.5mm (Clear Anodized) (2pcs)		
AX31329	35T Trail Breaker Electric Motor (Rebuildable)		
AX31330	55T Trail Breaker Electric Motor (Rebuildable)		
AX31338	Trail Breaker Electric Motor Rebuild Kit		
AX31394	JCROffroad Vanguard Spare Tire Carrier		
AX31396	Winch Spool and Servo Mounts		
AX31437	AR44 Differential Cover and Link Mounts (Black)		
AX31442	Spring 12.5x60mm 3.03 lbs/in - (Blue) (2pcs)		

OFFICIALLY LICENSED TECHNICAL PARTNERS:



EXPLORE

facebook.com/axialinc | instagram.com/axialracing | twitter.com/axialrc
youtube.com/axialvideos | flickr.com/axialrc



Jeep and related logos, vehicle model names and trade dress are trademarks of Chrysler Group LLC and are used under license by Axial Inc. © Chrysler Group LLC 2016.

BFGoodrich® Tires and All-Terrain T/A® KO2 Trademarks are used under License from Michelin

©2016 Axial R/C, Inc. A subsidiary of Hobbico, Inc. All Rights Reserved.

AX90046-1001
2803882