



**BUILDER'S KIT**

# RR10 BOMBER


1/10th SCALE ELECTRIC 4WD - KIT

ROCK RACER SERIES





## CAUTIONS

 **To prevent serious personal injury and/or property damage, operate all remotely controlled models in a responsible manner as outlined herein.**

### **CHOOSE THE RIGHT PLACE TO OPERATE YOUR R/C MODEL.**

- Do not run on public streets or highways. This could cause serious accidents, personal injuries, and/or property damage.
- Never run R/C models near people or animals.
- To avoid injury, do not run in confined spaces.
- Do not run where loud noises can disturb others, such as hospitals and residential areas.
- Never run indoors. There is a high risk of fire and/or damage.


### **INSPECT YOUR MODEL BEFORE OPERATION.**

- Make sure that all screws and nuts are properly tightened. It is also a good idea to use removable thread lock wherever metal screws go into metal, especially for engine mounts and the engine pilot shaft.
- Always use fresh batteries for your transmitter and for your receiver to avoid losing control of the model.
- Always test the brakes and throttle before starting your engine to avoid losing control of the model.
- Make sure no one else is using the same radio frequency as you are using.

### **AFTER OPERATION OF YOUR R/C MODEL**

- Disconnect the battery from the ESC, then turn off the transmitter. This will prevent runaways.
- Be careful when handling batteries, they will be hot after running.
- Replace any batteries that have been dented or have frayed wires, short circuits can cause fire.
- Be sure to keep your R/C model clean and free of excess dirt and grease, this will increase the life.

## VORSICHT!

 **Um Verletzungen an Personen und/oder Sachschäden zu vermeiden, sollten alle ferngesteuerten Modelle sorgfältig und verantwortungsbewusst bedient werden, wie nachfolgend beschrieben.**

### **Wählen Sie den richtigen Platz zum Fahren**

- Fahren Sie niemals auf öffentlichen Straßen. Dies könnte Verkehrsunfälle, Personen schäden oder Sachschäden verursachen.
- Fahren Sie niemals in der Nähe von anderen Personen oder Tieren.
- Fahren Sie niemals auf belebten Straßen.
- Fahren Sie nie in der Nähe von Wohnhäusern oder Krankenhäusern. Der Lärm könnte andere Personen stören.
- Fahren Sie niemals in Innenräumen. Dort könnte etwas beschädigt werden.


### **Überprüfen Sie Ihr Modell, bevor Sie es in Betrieb nehmen.**

- Gehen Sie sicher, dass alle Schrauben und Muttern festgezogen sind. Verwenden Sie überall dort Schrauben-Sicherungslock, wo Metallschrauben in ein Metallgewinde greifen, besonders bei den Motorhaltern.
- Um Störungen zu vermeiden, benutzen Sie immer voll geladene Akkus in Ihrem Sender und Empfänger.
- Bevor Sie den Motor starten, sollten Sie immer die Funktion der Bremse und des Gashebels testen.
- Gehen Sie sicher, dass niemand mit der gleichen Frequenz fährt wie Sie.

### **Nach Betrieb des RC Modells:**

- Zuerst den Empfänger abdrehen, dann den Sender abdrehen um unkontrolliertes Durchgehen zu vermeiden.
- Seien Sie vorsichtig mit gebrauchten Akkus, sie können nach dem Gebrauch heiß sein.
- Ersetzen Sie Akkus/Batterien die beschädigt sind oder schadhafte Kabel aufweisen, sie können Kurzschlüsse oder Feuer verursachen.
- Halten Sie Ihr Fahrzeug sauber und entfernen Sie Schmutz und Schmierfett, damit erhöhen Sie die Lebensdauer Ihres Modells.

## PRECAUTIONS

 **Afin d'éviter toutes blessures corporelles et/ou dommages environnants, veuillez procéder en toute responsabilité comme indiqué ci-dessous**

### **Choisir le lieu adéquat pour faire rouler votre modèle.**

- Ne jamais rouler dans les rues ou sur les routes ouvertes au public. Ceci peut provoquer de graves accidents.
- Ne jamais rouler près de personnes ou d'animaux.
- Pour éviter les blessures, ne pas rouler dans des espaces confinés.
- Ne jamais rouler où le bruit peut déranger, comme aux abords des hôpitaux ou des quartiers résidentiels.
- Ne jamais rouler à l'intérieur: les gaz d'échappement sont nocifs.

### **Controler votre modèle avant chaque utilisation.**

- Vérifier que les vis et les écrous sont bien serrés. Il est très fortement conseillé d'utiliser du frein filet pour bloquer les vis qui sont en contact avec du métal et tout particulièrement les vis du moteur.
- Toujours utiliser des batteries bien chargées pour l'émission et la réception.
- Toujours vérifier les freins et la commande des gaz avant de démarrer.
- Vérifier qu'aucune autre personne n'utilise votre fréquence radio.

### **Après l'Opération De Votre Modèle de R/C**

- Le virage du récepteur premier, alors virage de l'émetteur, ceci empêchera des fugitifs.
- Faire attention en contrôlant des piles, ils auront chaud après avoir couru.
- Remplacer n'importe quelles piles qui ont été cabossées ou a éraillé des fils, les court-circuits peuvent causer le feu.
- Etre sûr de garder votre modèle de R/C nettoie et libère de terre et la graisse supplémentaires, ceci augmentera la vie.

**Radio Gear / Fernsteueranlage / Equipement Radio**

**Radio control system**

• You will need a 2-Channel radio system with one servo, receiver, an electronic speed control with an ON/OFF switch.

**Fernsteueranlage**

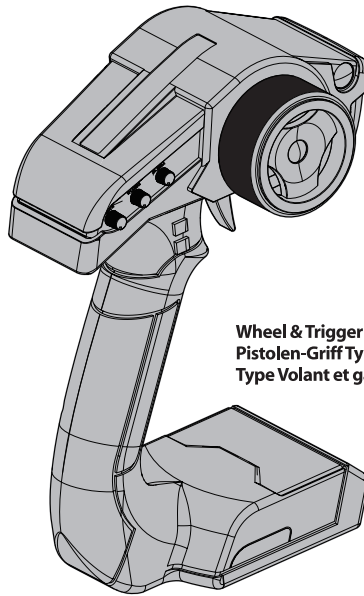
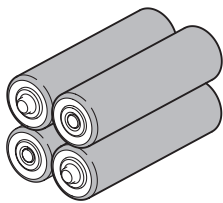
• Sie werden ein 2-Kanal Radio System mit einem Servo, Empfänger, eine elektronische Geschwindigkeitssteuerung mit einem Netzschalter brauchen.

**Ensemble radiocommande**

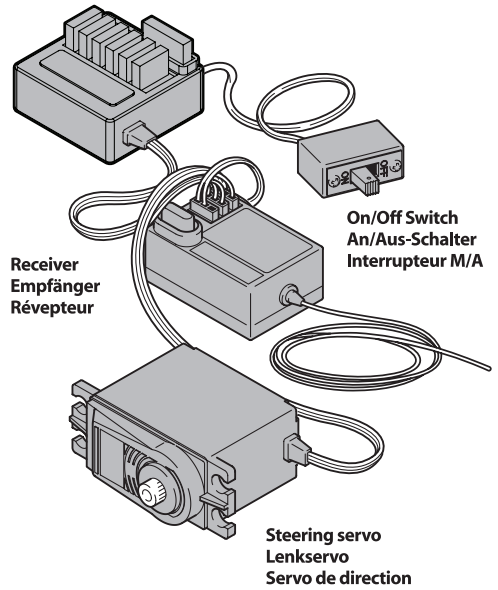
• Vous aurez besoin d'un système de radio de 2 Chaînes avec un servo, le récepteur, un contrôle de vitesse électronique avec un interrupteur (on-off).

- 4AA Alkaline Dry Batteries.
- 4 St. AA Trockenbatterien.
- 4 piles type R6 pour votre radio commande.

4x



Wheel & Trigger Type  
Pistolen-Griff Typ  
Type Volant et gachette



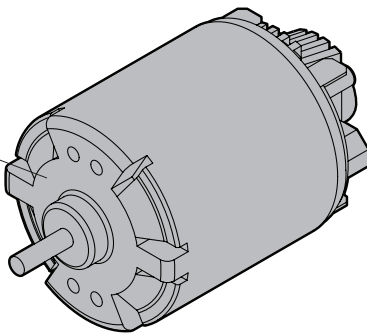
Receiver  
Empfänger  
Récepteur

On/Off Switch  
An/Aus-Schalter  
Interrupteur M/A

Steering servo  
Lenkservo  
Servo de direction

**Motor / Motoren / Moteur**

540 Size

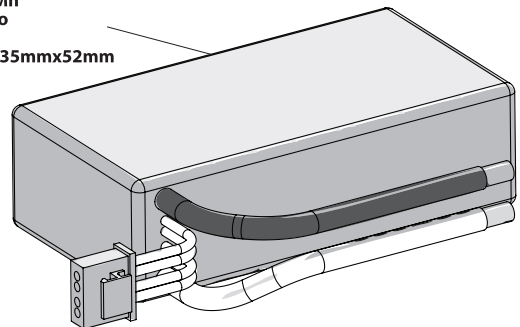


**Battery / Akku / Batterie**

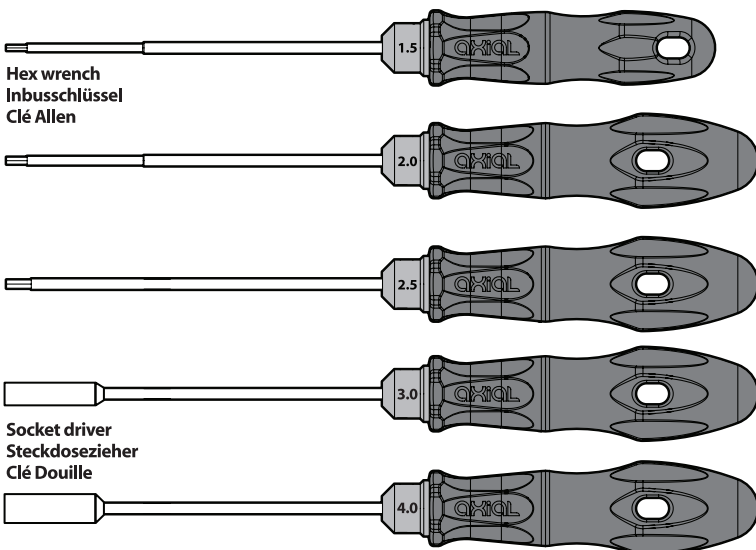
**Battery / Akku / Batterie**

Recommended Battery:  
Standard 6-cell NiMh  
Standard 2S-3SLipo

Max Size: 149mmx35mmx52mm

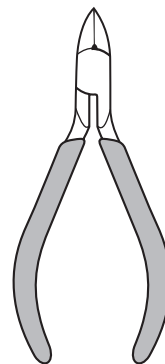


**Tools Recommended / Benötigte Werkzeuge / Outillage**

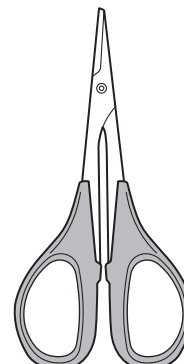


Hex wrench  
Inbusschlüssel  
Clé Allen

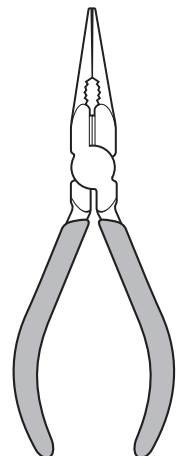
Socket driver  
Steckdosezieher  
Clé Douille



Side cutter  
Seitenschneider  
Pincès coupantes

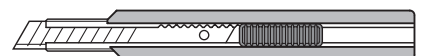


Curved scissors  
Schere  
Ciseaux

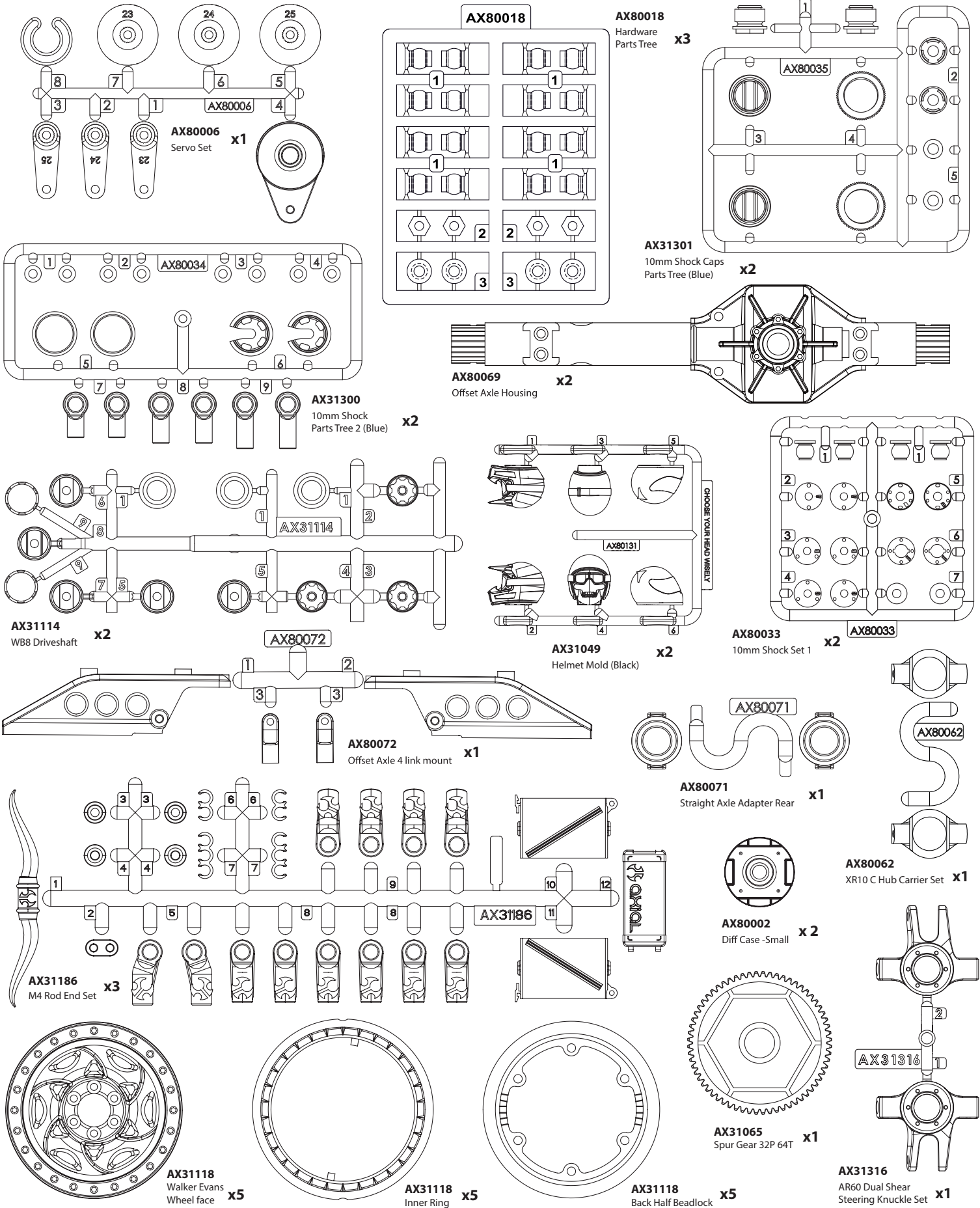


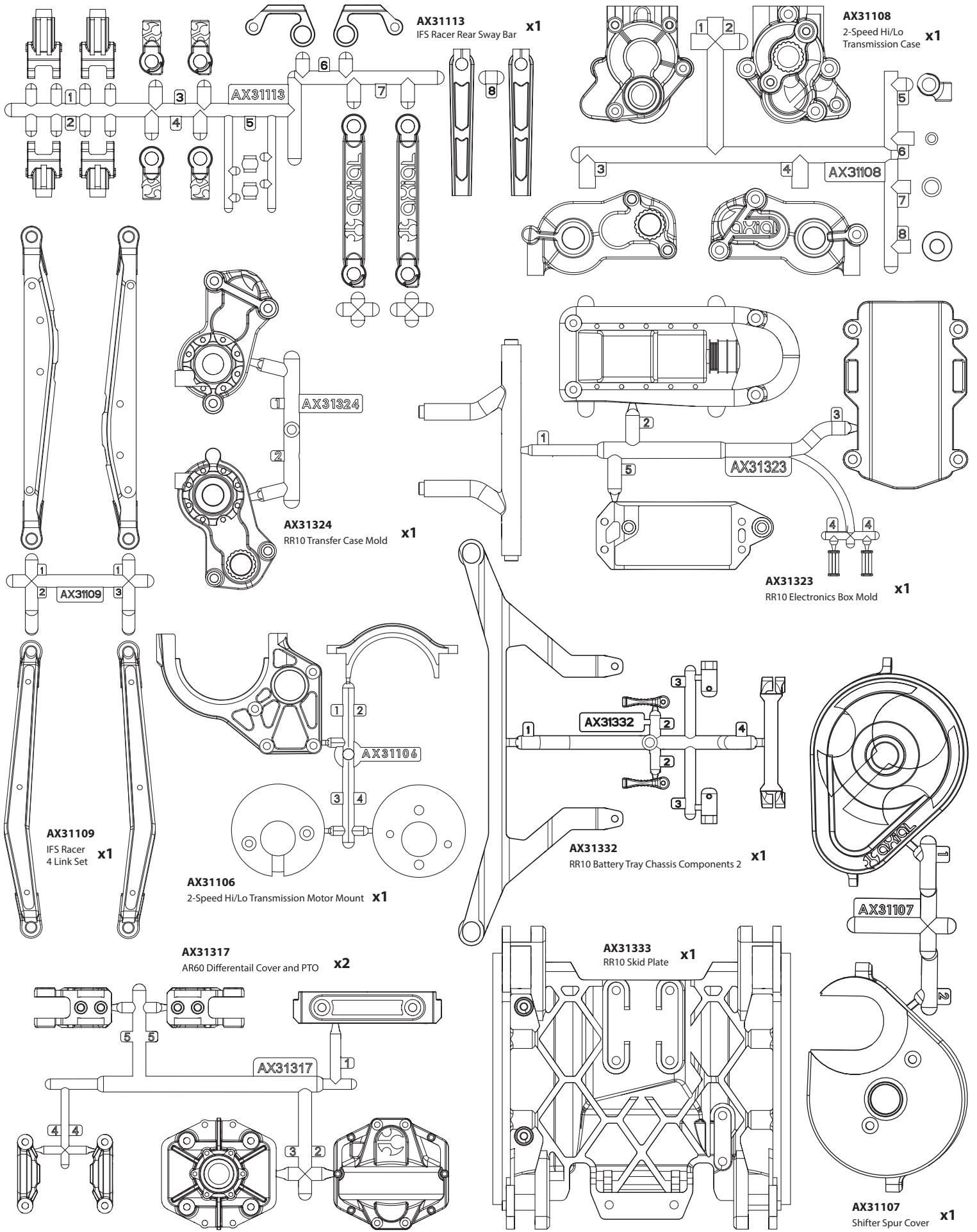
Long nose pliers  
Flachzange  
Pincès à becs longs

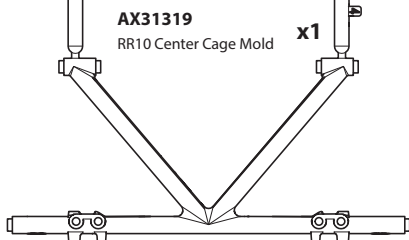
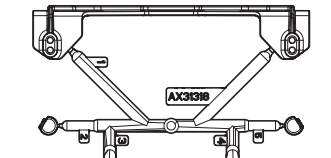
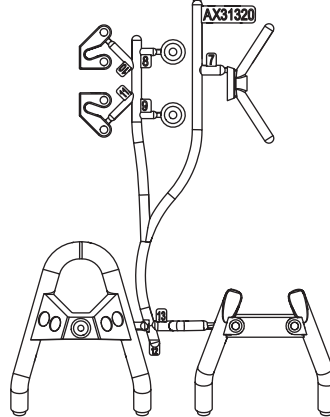
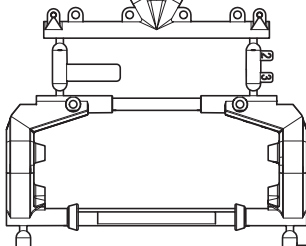
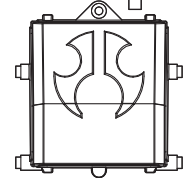
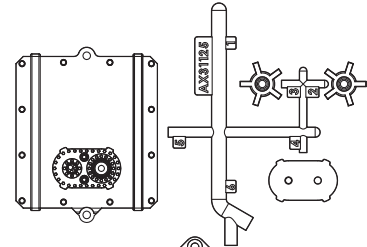
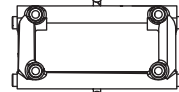
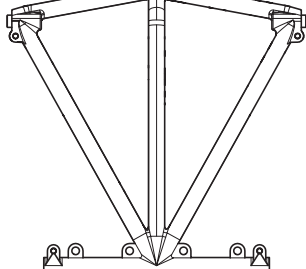
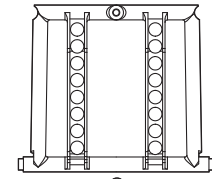
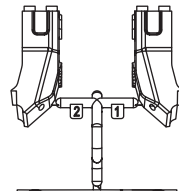
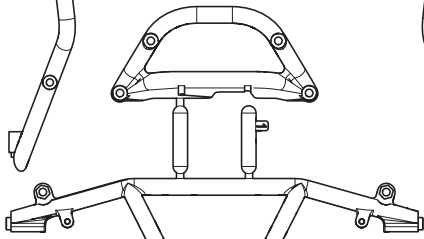
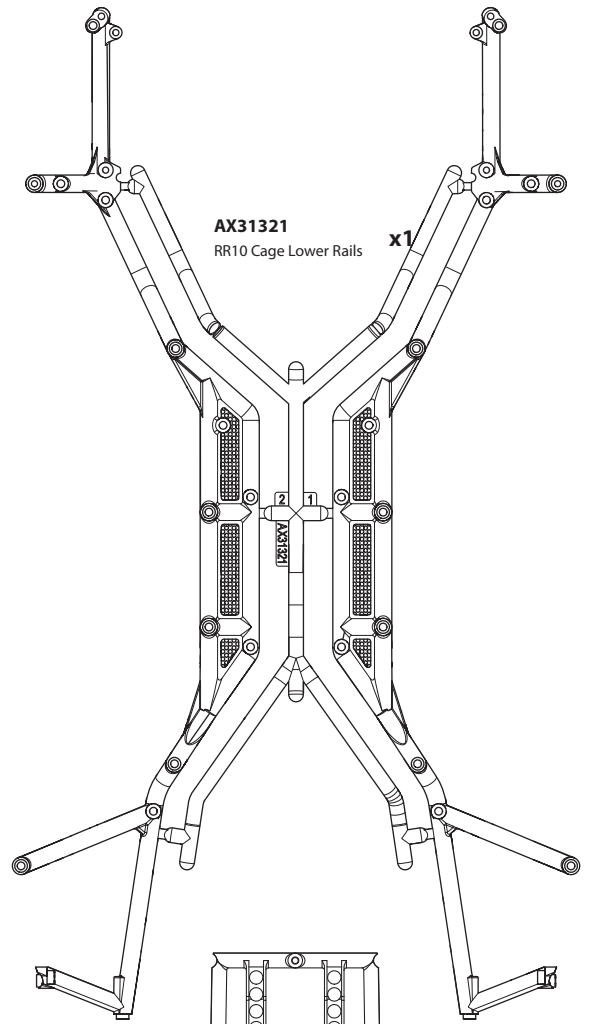
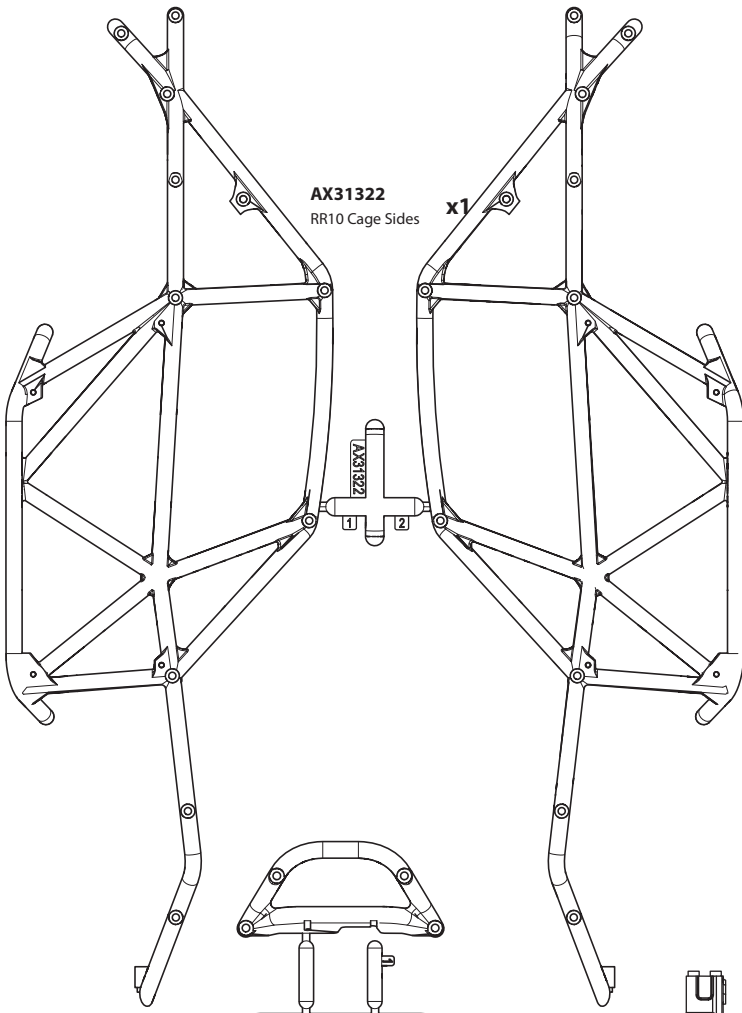
Modeling knife  
Modelliermesser  
Couteau de modéliste



# Parts Reference / Übersicht aller Teile / Référence des pièces

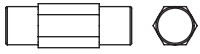




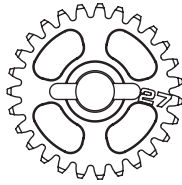


**AX31320**  
RR10 Rear Cage Components Mold x1

**AX31318**  
RR10 Battery Tray  
Chassis Components x1



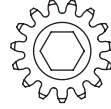
**AX31131**  
T-Case Gear Set **x1**



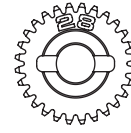
**AX31131**  
T-Case Gear Set **x1**



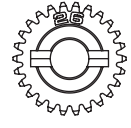
**A X31131**  
T-Case Gear Set **x1**



**AX31131**  
T-Case Gear Set **x1**



**AX31130**  
28T 48P 2 Speed Gear  
(High Speed Option) **x1**



**AX31130**  
26T 48P 2 Speed Gear **x1**



**AX30113**  
Rubber Bump Stop 3.6x7x4 **x4**



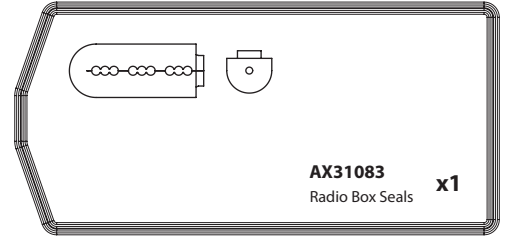
**AX30413**  
Slipper spring **x1**



**AX31148**  
WB8-HD Joint Male Universal **x4**



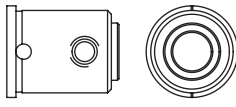
**AX30463**  
4.5x6.5mm Join Pin **x4**



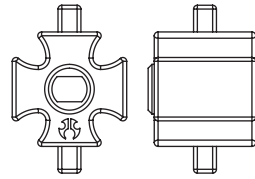
**AX31083**  
Radio Box Seals **x1**



**AX30112**  
Shock Diaphragm 13x4.5mm **x4**



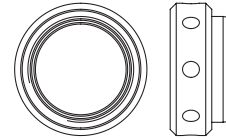
**AX31148**  
WB8-HD Joint 10X15mm **x4**



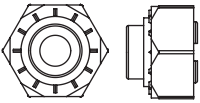
**AX30500**  
Heavy Duty Locker **x2**



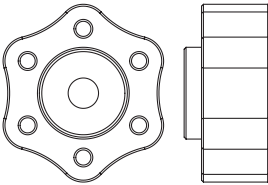
**AX31430**  
King Shock Cap **x4**



**AX31430**  
King Preload Collar **x4**



**AX30429**  
12mm Aluminum Hub **x4**



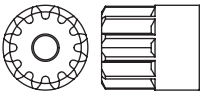
**AX31266**  
Narrow Hub **x4**



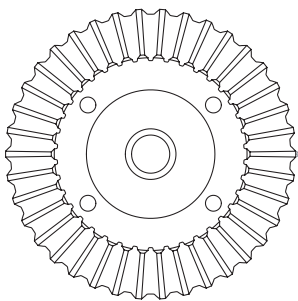
**AX30438**  
Axial Delrin 10mm  
Machined Piston-1.2 **x4**



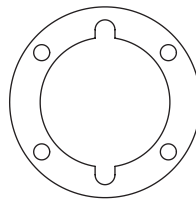
**AX31314**  
Aluminum Shock Body 12x47.5mm **x4**



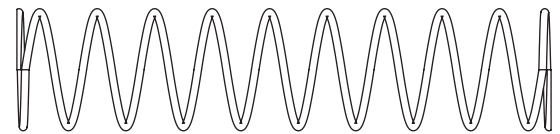
**AX30723**  
Pinion 32DP 12T **x1**



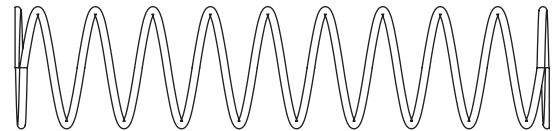
**AX30395**  
Heavy Duty Bevel Gear - 38T **x2**



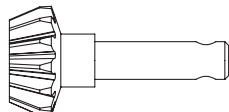
**AX30385**  
Diff Gasket 16x25x0.5mm **x2**



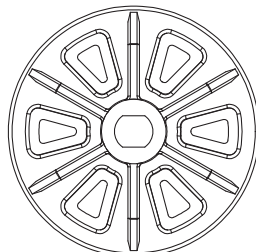
**AX31315**  
Spring 14x70mm 1.43 lbs/in - Purple (2pcs) (Blue Springs) **x2**



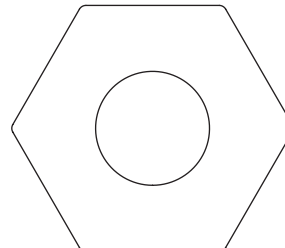
**AX31336**  
Spring 14x70mm 3.27 lbs/in - Yellow (2pcs) (Blue Springs) **x2**



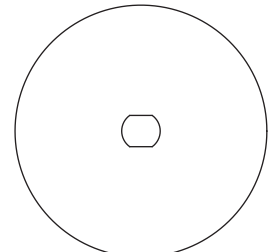
**AX30395**  
Heavy Duty Bevel Gear - 13T **x2**



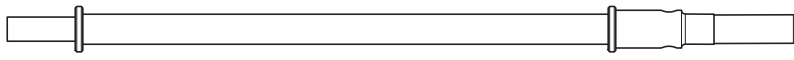
**AX31067**  
Slipper Plate **x1**



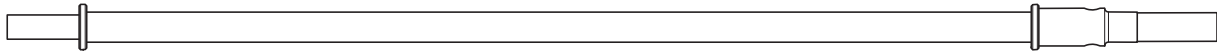
**AX31068**  
Slipper Pad **x2**



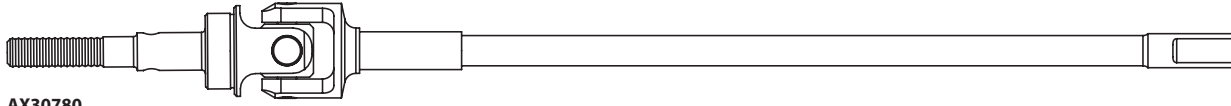
**AX31059**  
Slipper Plate **x2**



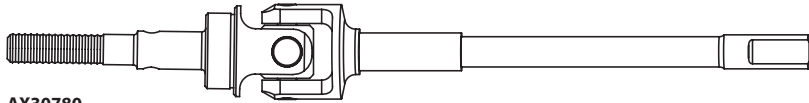
**AX30776**  
Straight Axle Shaft 6x104.2mm **x1**



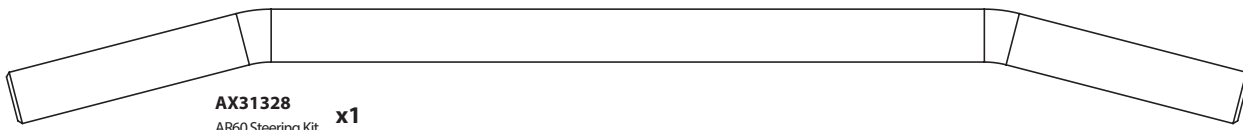
**AX30776**  
Straight Axle Shaft 6x160.2mm **x1**



**AX30780**  
Axle Shaft Long **x1**



**AX30780**  
Axle Shaft Short **x1**



**AX31328**  
AR60 Steering Kit **x1**



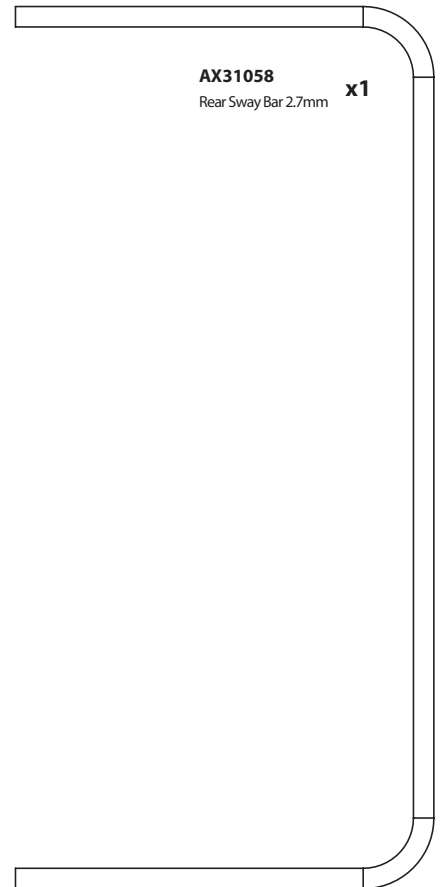
**AX31328**  
AR60 Steering Kit **x1**



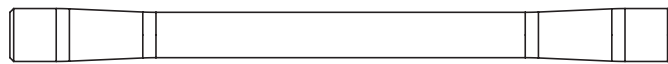
**AX31340**  
7x83.5mm M4 Bent Link **x2**



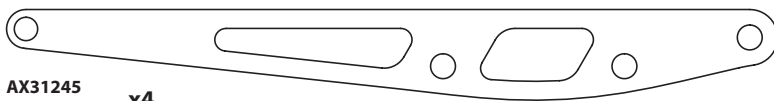
**AX31340**  
7x101mm M4 Bent Link **x2**



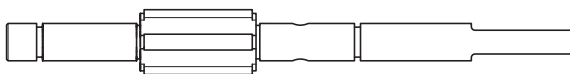
**AX31058**  
Rear Sway Bar 2.7mm **x1**



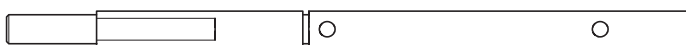
**AX31341**  
7x87.5mm M4 Bent Link **x2**



**AX31245**  
Lower Link Plate **x4**



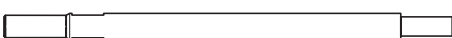
**AX31129**  
2-Speed Hi/Lo Transmission Bottom Shaft **x1**  
5x75mm



**AX31127**  
2-Speed Hi/Lo Transmission Top Shaft **x1**  
5x91mm



**AX31313**  
Transfer Case Output Shaft 5x68mm **x1**



**AX30155**  
Shock Shaft 3x59.5 **x4**




 **AX31028** x8  
Pin 2x11


 **AX30163** x3  
Pin 2x10

 **AXA1391** x3  
E4 e-clip


 **AX31250** x4  
M4 Nylon Locking Nut

 **AXA1045** x1  
M4 Nylon Lock Nut

 **AXA1041** x4  
M2.5 Thin Nylon Lock Nut

 **AXA1052** x11  
M3 Thin Nylon Locking Nut


 **AXA1053** x4  
M3 Nylon Locking Nut

 **AX30450** x4  
Flange Pipe 3x4.5x5.5

 **AXA1069** x8  
Washer 2.7x6.7x0.5 mm

 **AXA1070** x1  
Washer 3x6x0.5mm

 **AXA1071** x2  
Washer 4x8x0.5mm

 **AXA1202** x8  
O-Ring 3.5x2mm

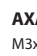
 **AXA1184** x4  
O-Ring 7.5x1.5mm

 **AXA1188** x4  
O-Ring 12x1.5mm


 **AXA1221** x20  
Bearing 5x11x4mm


 **AXA1230** x6  
Bearing 10x15x4mm


 **AXA1059** x2  
6mm Body Clip

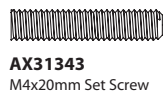
 **AXA180** x10  
M3x3mm

 **AXA291** x1  
M4x4mm

 **AXA185** x2  
Set Screw M3x10mm


 **AXA186** x8  
Set Screw M3x16mm


 **AXA0187** x4  
Set Screw M3x20mm


 **AX31343** x16  
M4x20mm Set Screw

 **AXA0286** x4  
M4x12mm

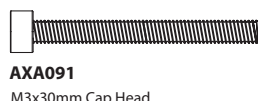
 **AXA0109** x4  
M3x10mm  
Oversize Flat Hex Socket

 **AX31121** x2  
M4x12mm Cap Head

 **AXA015** x16  
M2x10mm Cap Head

 **AXA0023** x28  
M2.6x8mm Cap Head

 **AXA087** x8  
M3x16mm Cap Head

 **AXA091** x2  
M3x30mm Cap Head

 **AX31280** x16  
M2.6x6mm Hex Socket Button Head

 **AXA0113** x9  
M3x6mm Hex Socket Button Head

 **AXA114** x6  
M3x8mm Hex Socket Button Head

 **AXA115** x16  
M3x10mm Hex Socket Button Head

 **AXA116** x44  
M3x12mm Hex Socket Button Head

 **AXA117** x15  
M3x15mm Hex Socket Button Head


 **AXA118** x53  
M3x18mm Hex Socket Button Head


 **AXA119** x2  
M3x20mm Hex Socket Button Head

 **AXA120** x1  
M3x25mm Hex Socket Button Head

 **AXA121** x4  
M3x30mm Hex Socket Button Head

 **AXA144** x11  
M3x8mm Hex Socket Flat Head


 **AX31185** x2  
M3x10mm Hex Socket Flat Head

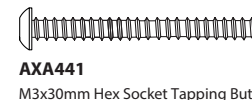
 **AXA146** x16  
M3x12mm Hex Socket Flat Head

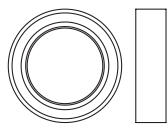
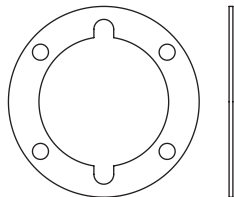
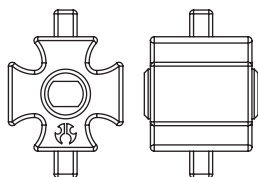
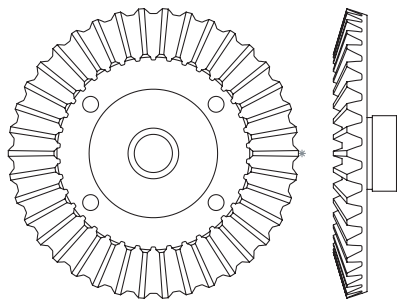
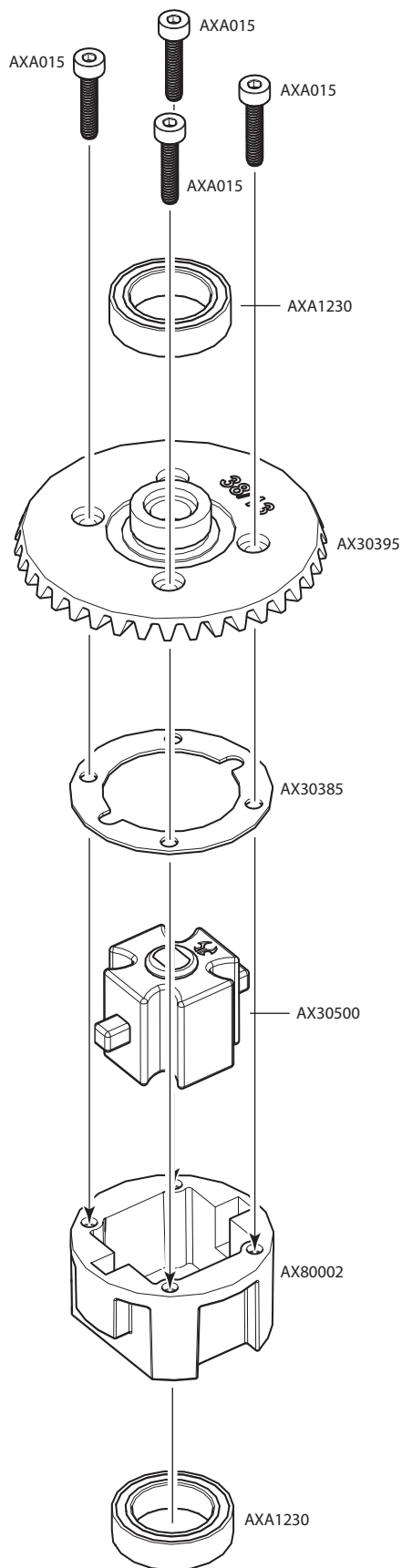
 **AXA0147** x1  
M3x16mm Hex Socket Flat Head

 **AXA148** x8  
M3x18mm Hex Socket Flat Head

 **AXA150** x3  
M3x25mm Hex Socket Flat Head

 **AXA0413** x2  
M2.6x8mm Hex Socket Tapping Flat Head

 **AXA441** x4  
M3x30mm Hex Socket Tapping Button Head

**A****Open Bag A****1****Open Plastic Bag 1****AXA015** x8  
M2x10mm Cap Head**AXA1230** x4  
Bearing 10x15x4mm**AX30385** x2  
Diff Gasket 16x25x0.5mm**AX30500** x2  
Heavy Duty Locker**AX30395** x2  
38T Bevel Gear**1****x2**

**2**



**AXA115**  
M3x10mm Hex Socket Button Head

**x8**



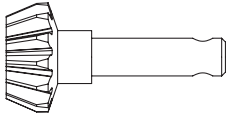
**AXA015**  
M2x10mm

**x8**



**AXA1221**  
Bearing 5x11x4mm

**x4**



**AX30395**  
Heavy Duty Bevel Gear - 13T

**x2**

AXA115

AXA115

AXA115

AXA115

AX31317 **4**

AX31317 **4**



GREASE

AX30395

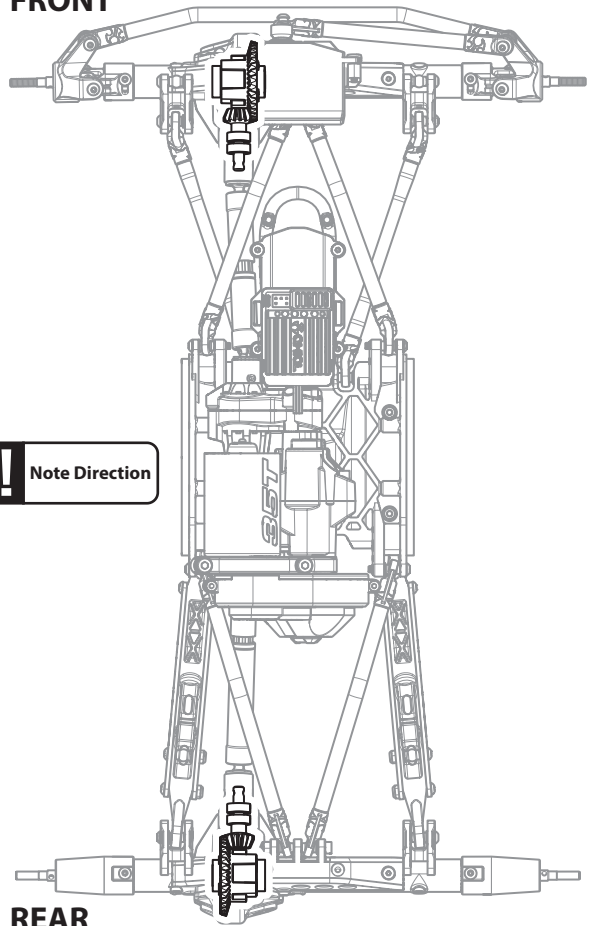
AXA1221

AX80069

AXA1221

**x2**

**FRONT**



**Note Direction**

**REAR**

AXA0  
AXA015

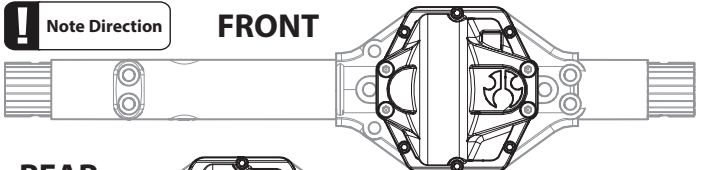
AXA0  
AXA015

AX31317 **2**

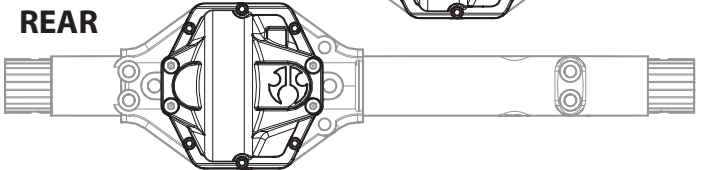
**Note Direction**

**Note Direction**

**FRONT**



**REAR**



# 3 Front

**AXA0113**  
M3x6mm **x4**

**AXA115**  
M3x10mm **x4**

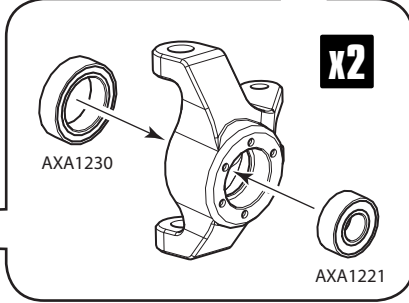
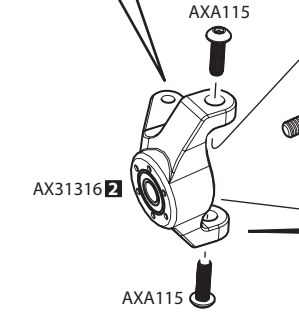
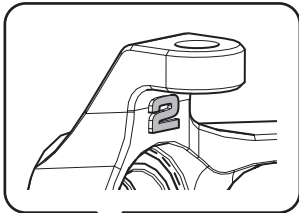
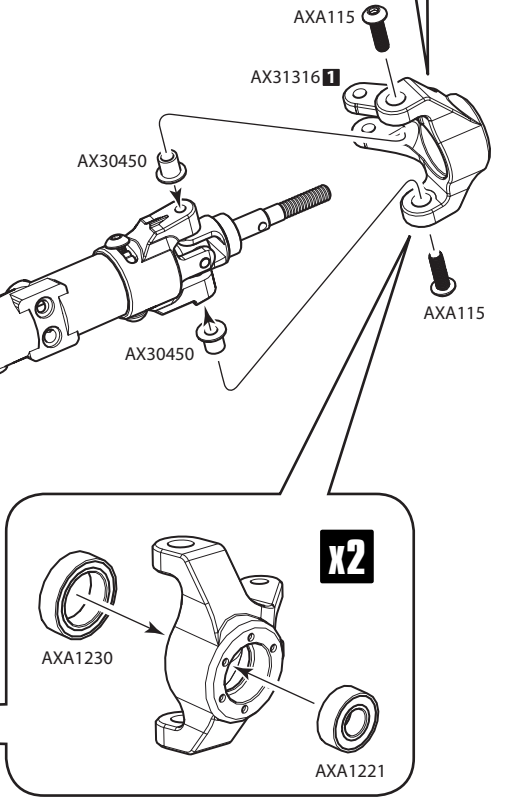
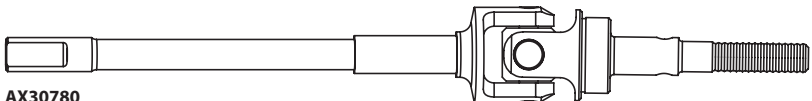
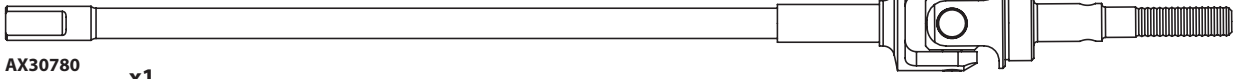
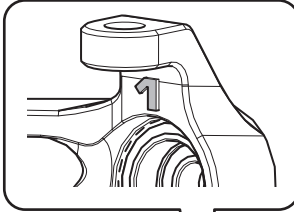
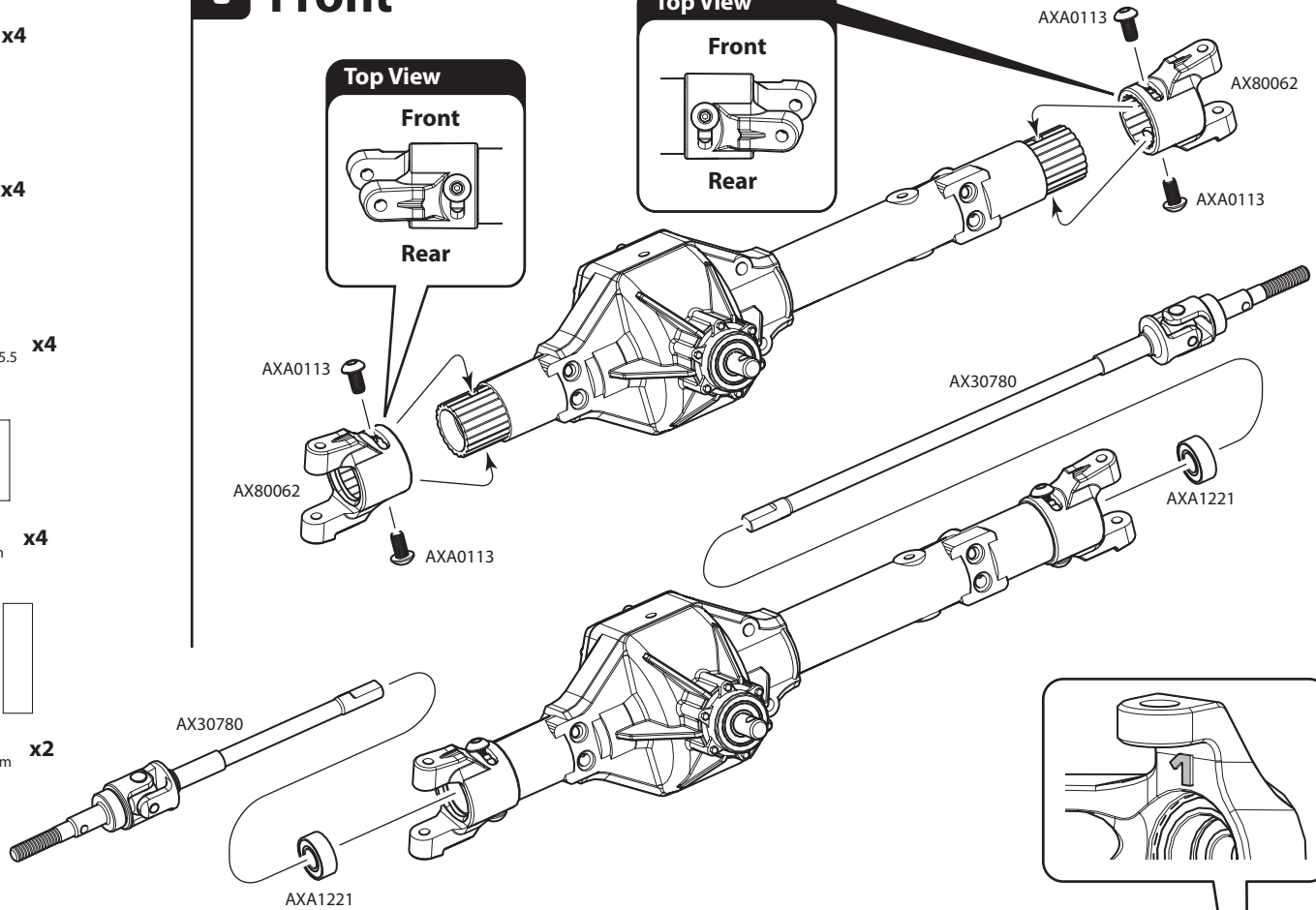
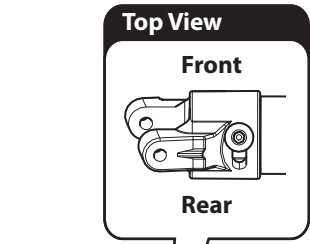
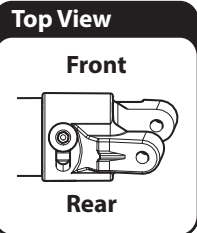
**AX30450**  
Flange Pipe 3x4.5x5.5 **x4**

**AXA1221**  
Bearing 5x11x4mm **x4**

**AXA1230**  
Bearing 10x15x4mm **x2**

**AX30780**  
Axle Shaft Long **x1**

**AX30780**  
Axle Shaft Short **x1**



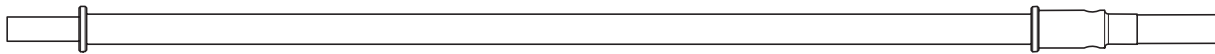
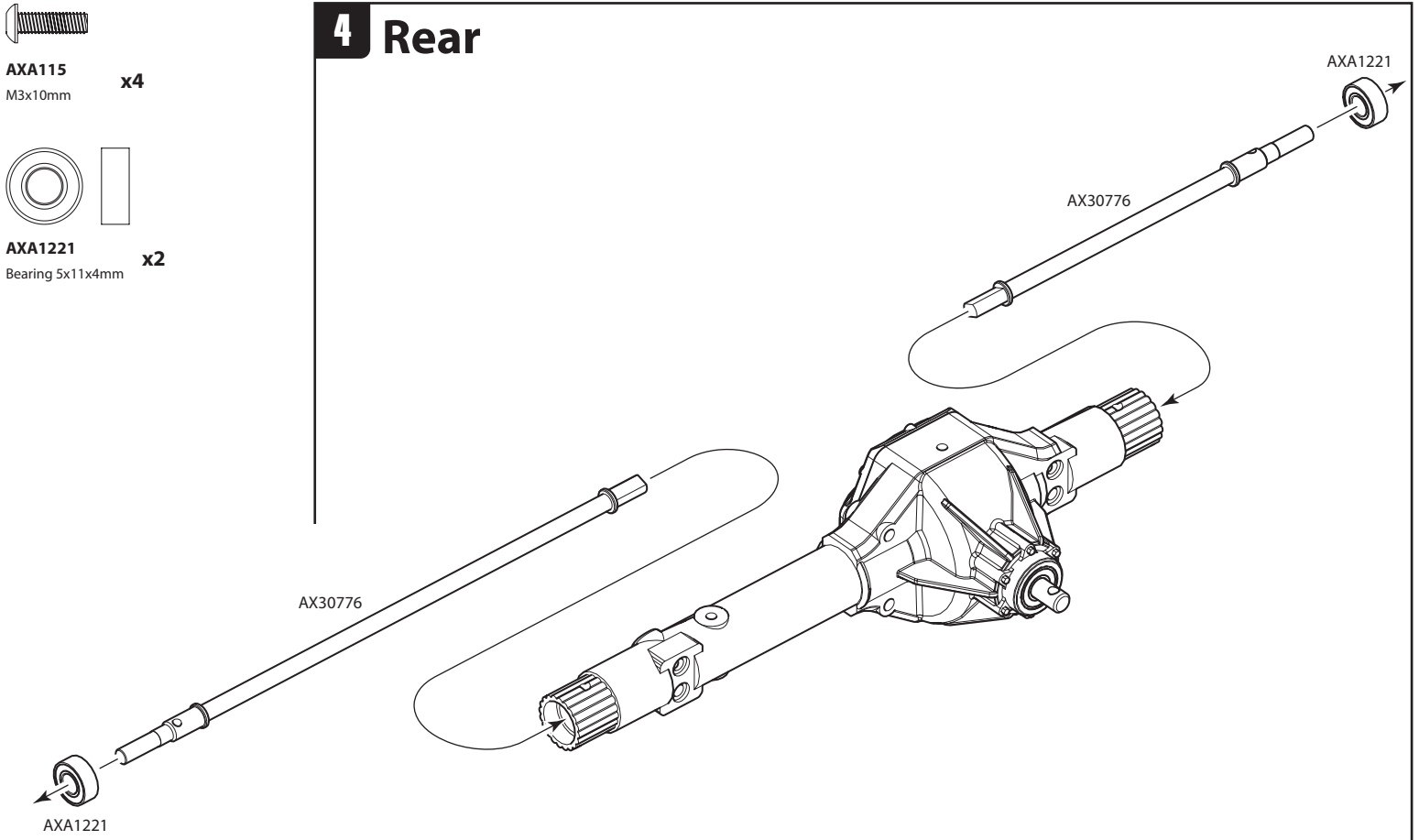
# 4 Rear



**AXA115**  
M3x10mm **x4**



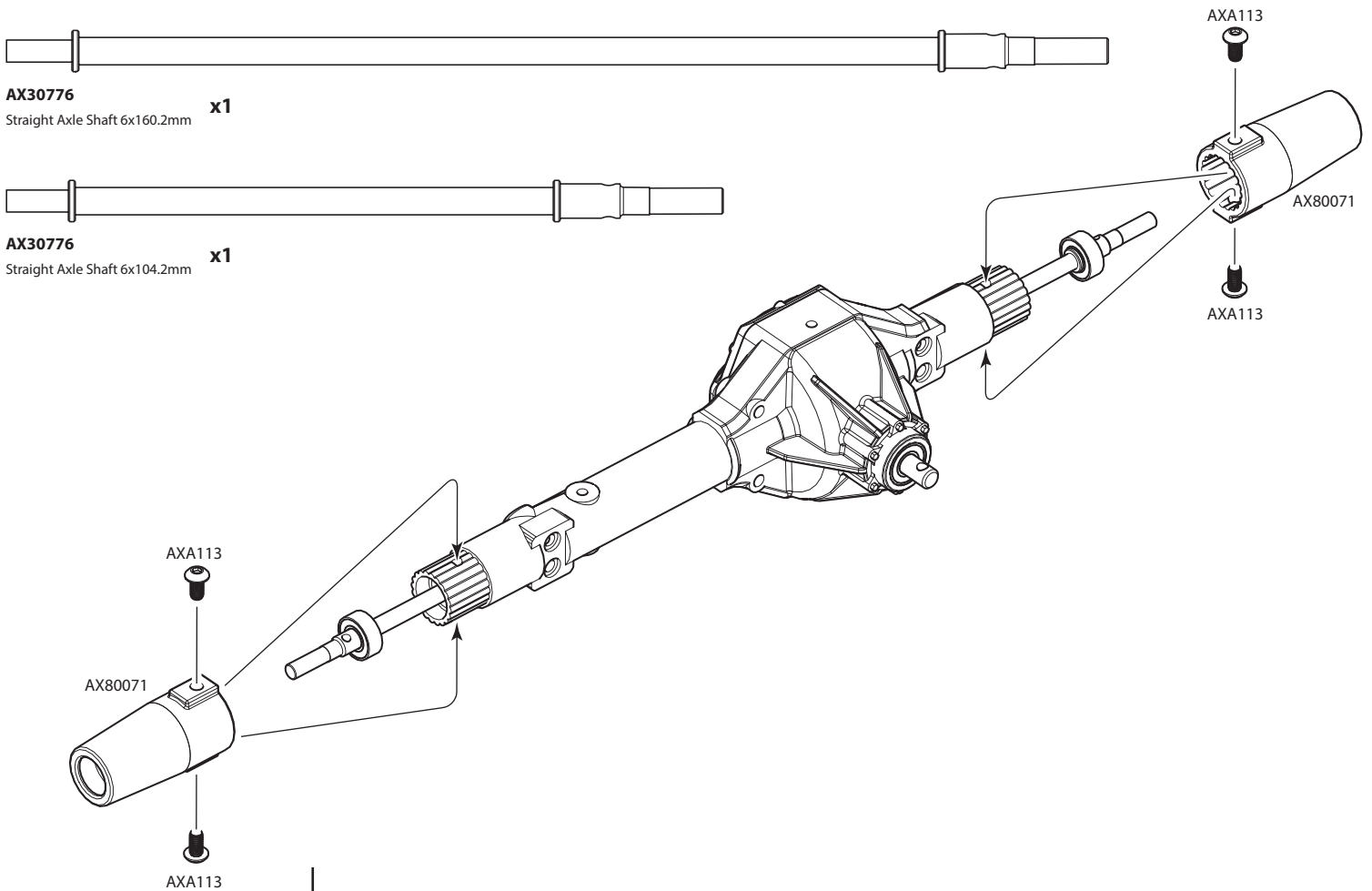
**AXA1221**  
Bearing 5x11x4mm **x2**



**AX30776**  
Straight Axle Shaft 6x160.2mm **x1**



**AX30776**  
Straight Axle Shaft 6x104.2mm **x1**





**AXA144**  
M3x8mm Hex Socket Flat Head

x2



**AXA087**  
M3x16mm Cap Head

x4



**AXA119**  
M3x20mm Hex Socket Button Head

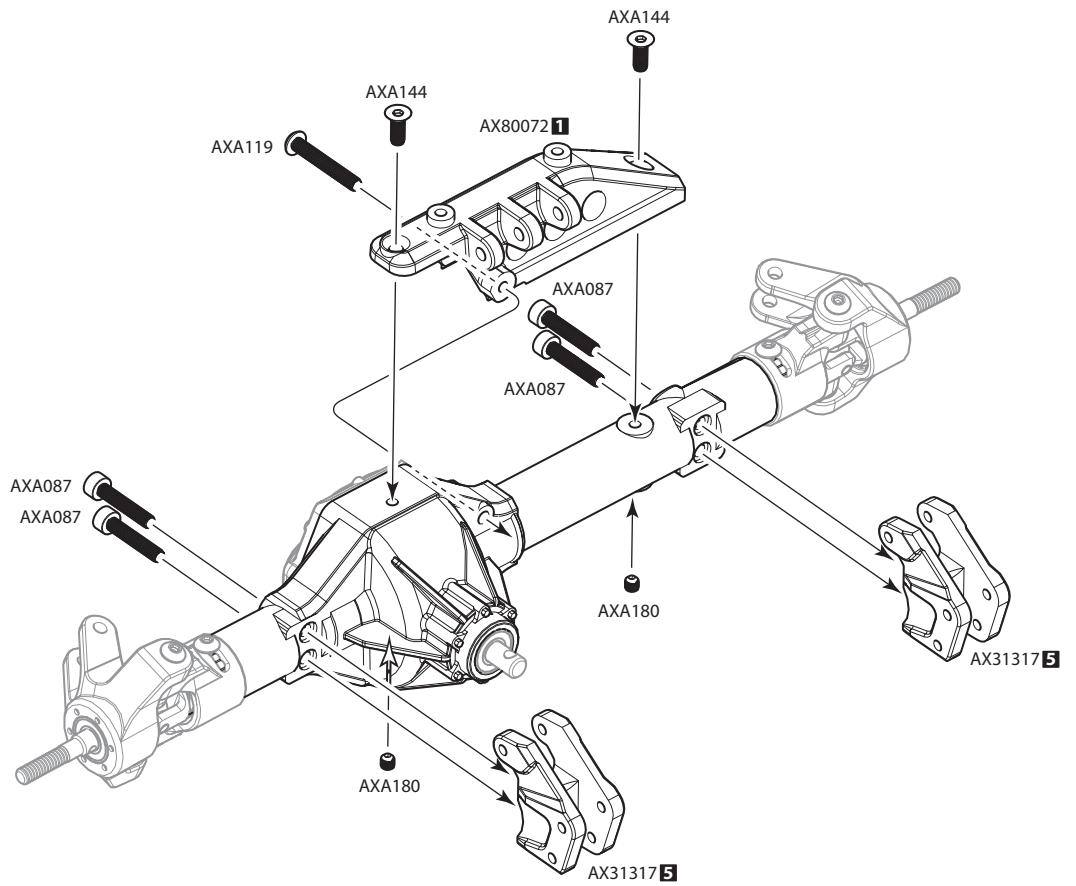
x1



**AXA180**  
M3x3mm

x2

**5**



**AXA144**  
M3x8mm Hex Socket Flat Head

x2



**AXA087**  
M3x16mm Cap Head

x4



**AXA119**  
M3x20mm Hex Socket Button Head

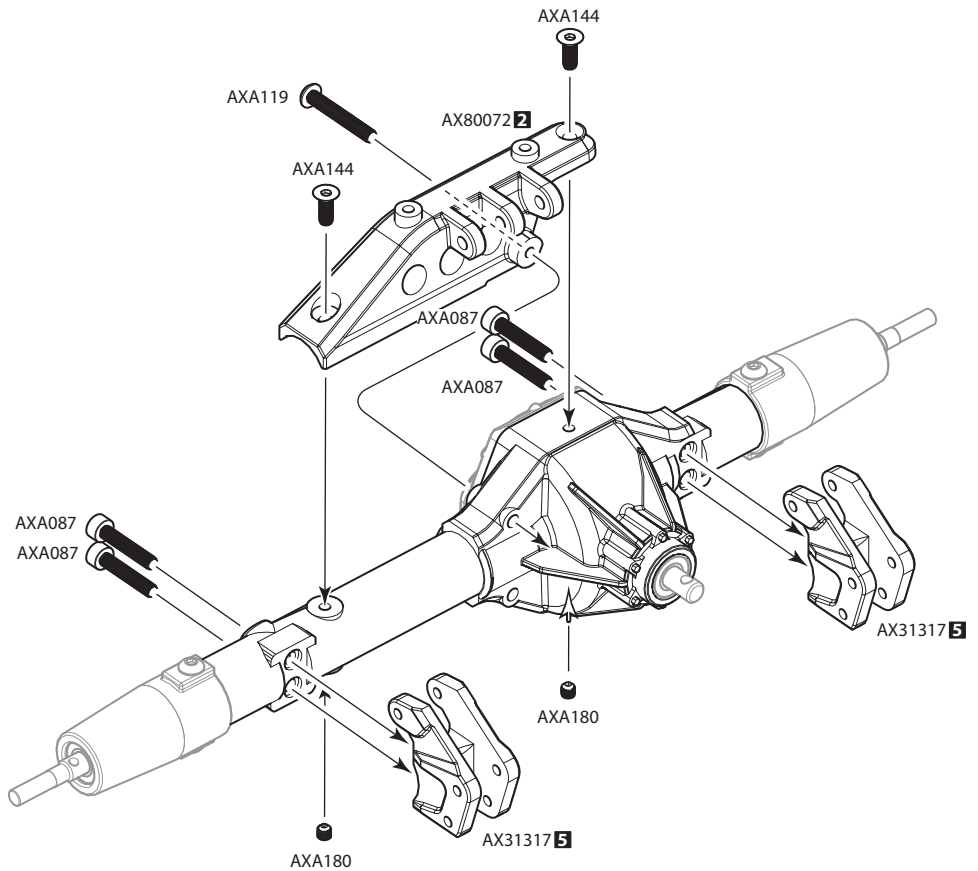
x1



**AXA180**  
M3x3mm

x2

**6**

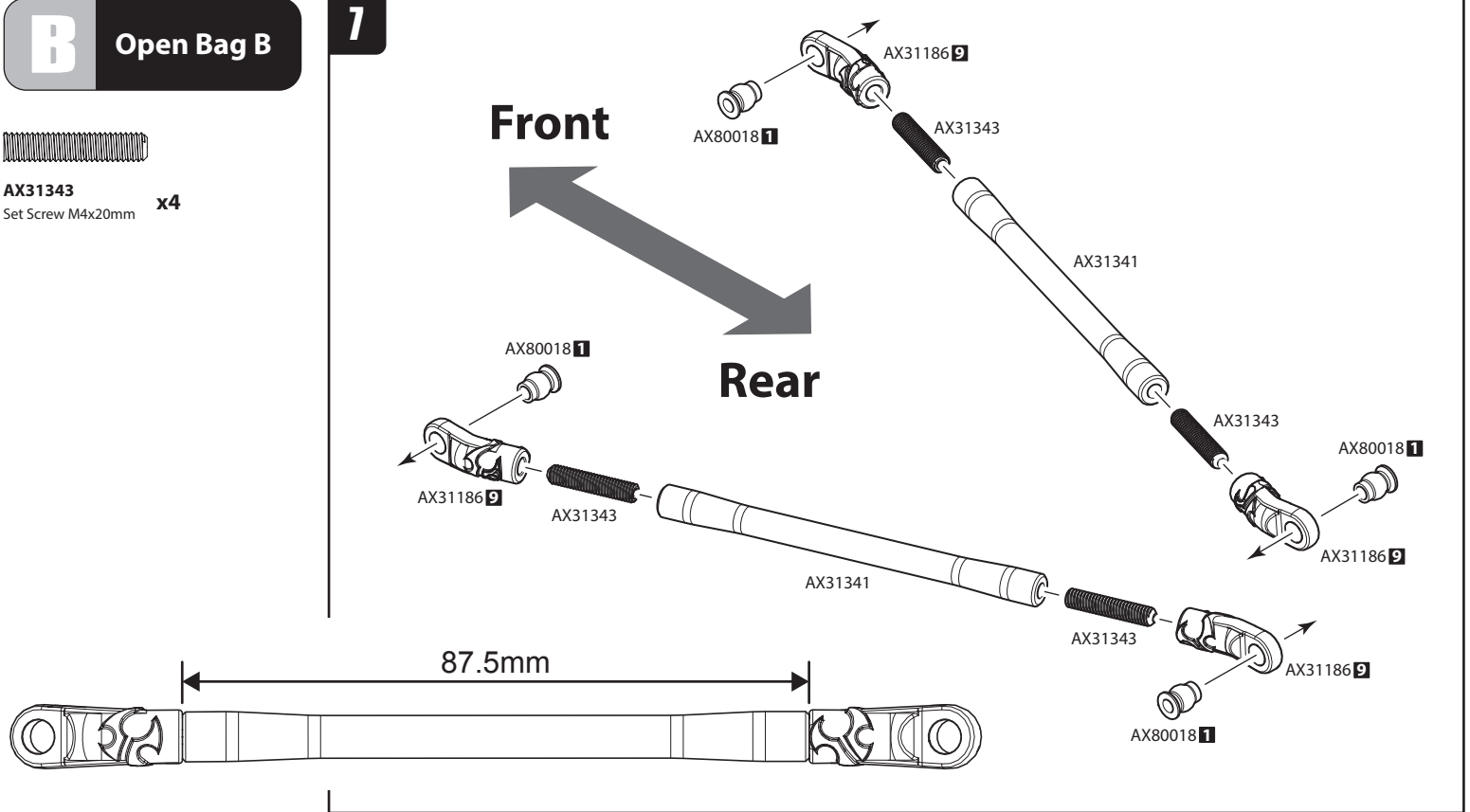


**B** Open Bag B

**7**



**AX31343**  
Set Screw M4x20mm **x4**

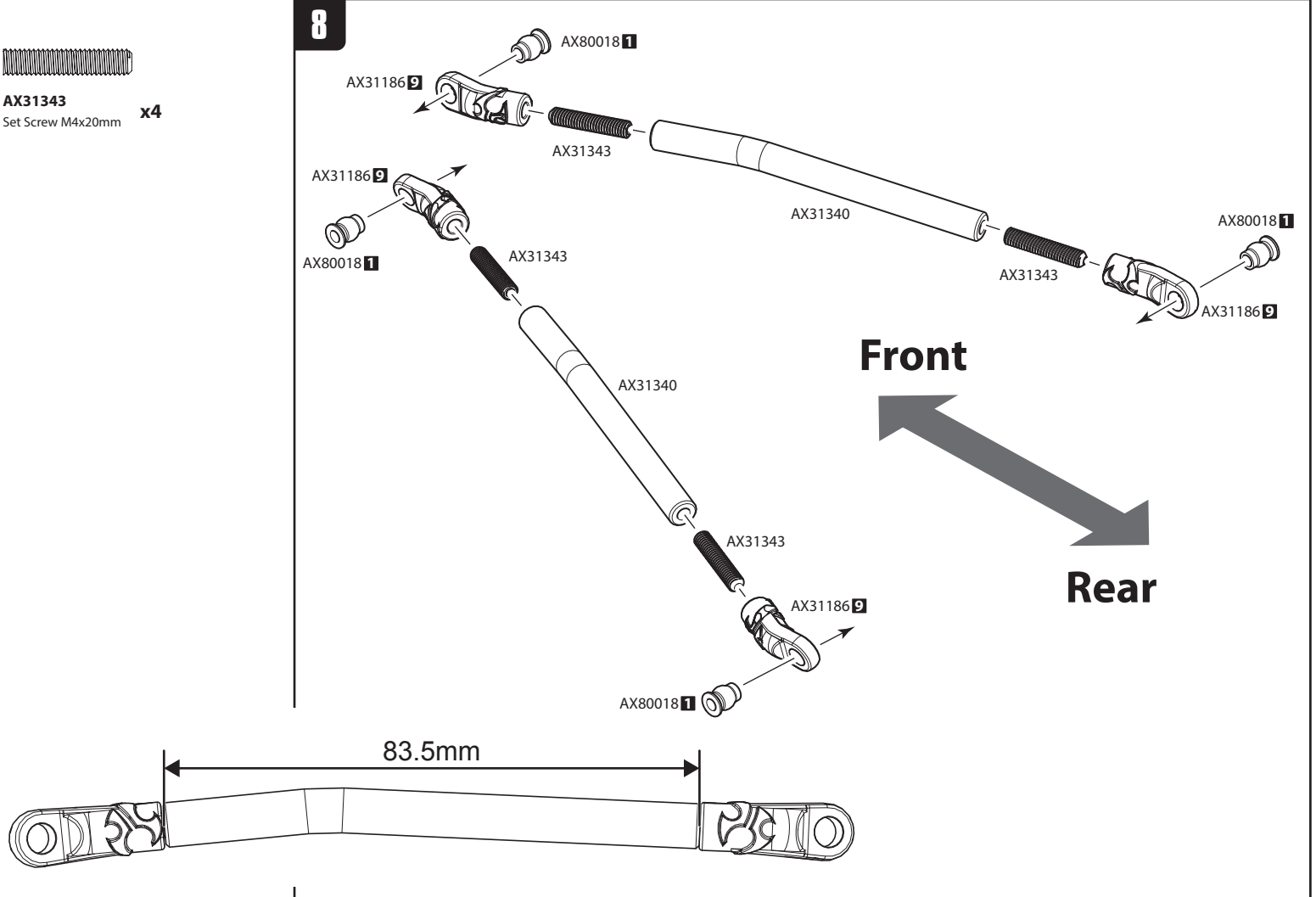


**B** Open Bag B

**8**



**AX31343**  
Set Screw M4x20mm **x4**

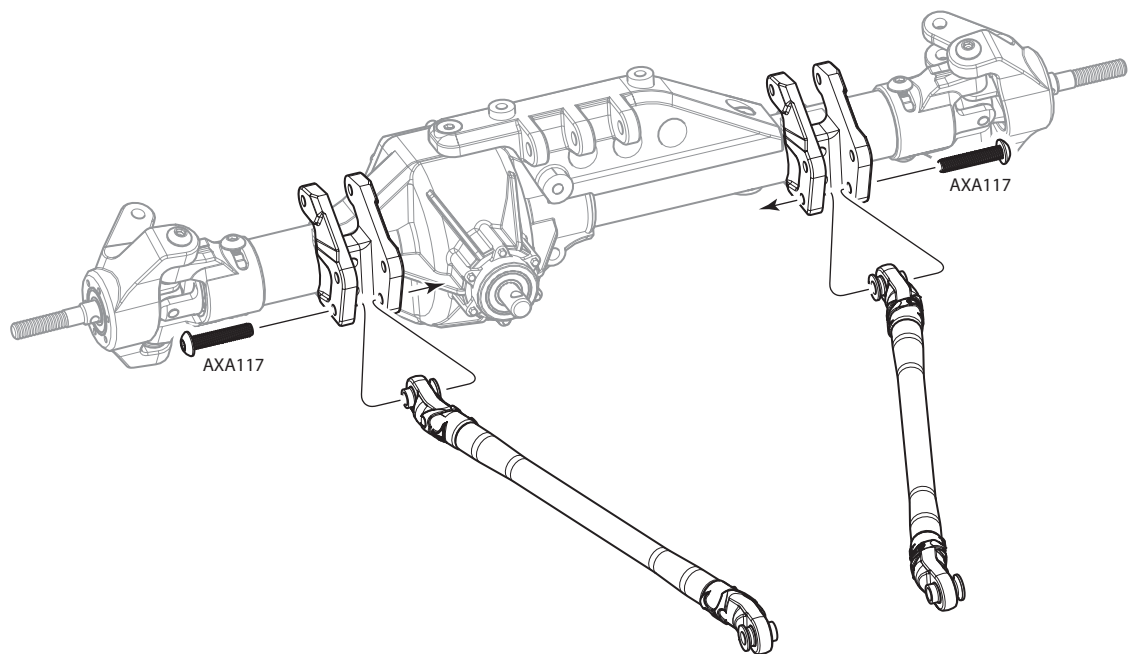




**AXA117**  
M3x15mm Hex Socket Button Head

**x2**

**9**



**AXA117**  
M3x15mm Hex Socket Button Head

**x2**

**10**



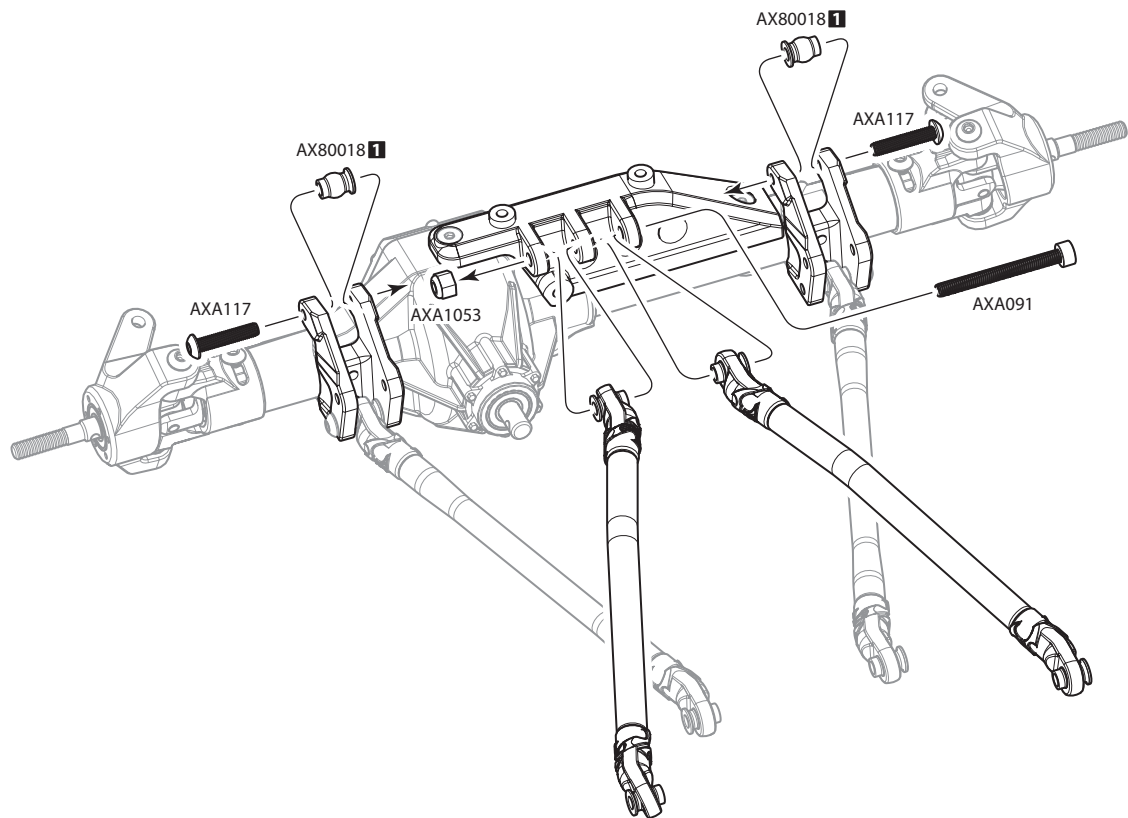
**AXA091**  
M3x30mm Cap Head

**x1**



**AXA1053**  
M3 Nylon Locking Hex Nut (BLACK)

**x1**







**AXA144**  
M3x8mm Hex Socket Flat Head

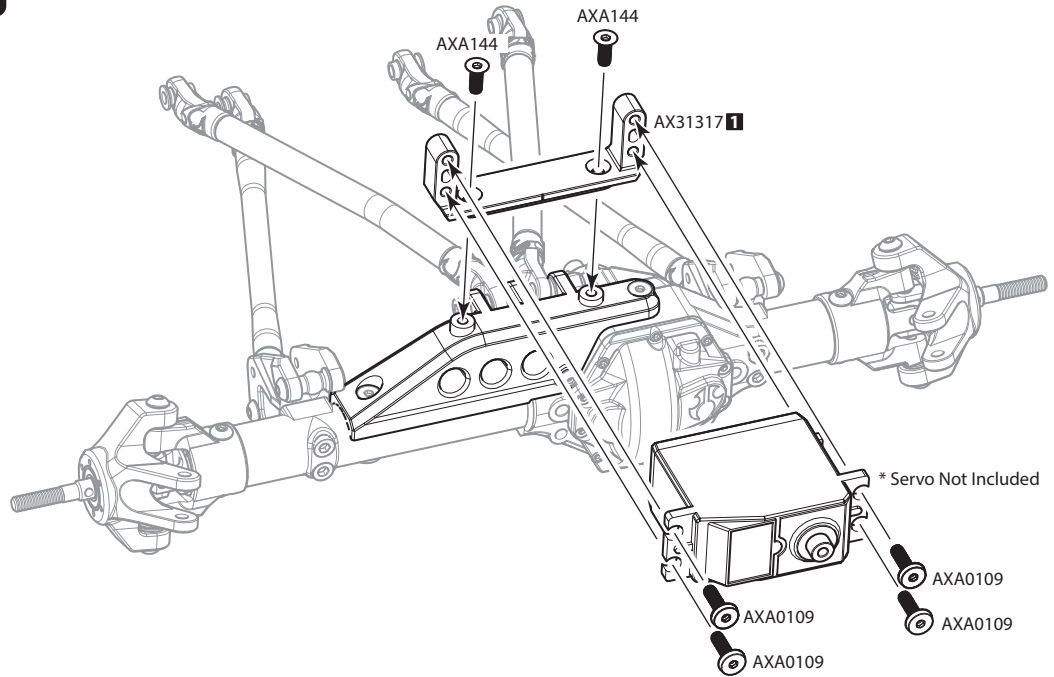
**x2**



**AXA0109**  
M3x10mm Oversized Flat Hex Socket

**x4**

**11**



**AXA0113**  
M3x6mm

**x1**



**AXA118**  
M3x18mm Hex Socket Button Head

**x2**



**AXA120**  
M3x25mm Hex Socket Button Head

**x1**



**AX31343**  
Set Screw M4x20mm

**x4**



**AXA1052**  
M3 Thin Nylon Locking Hex Nut (BLACK)

**x2**



**AXA1053**  
M3 Nylon Locking Hex Nut (BLACK)

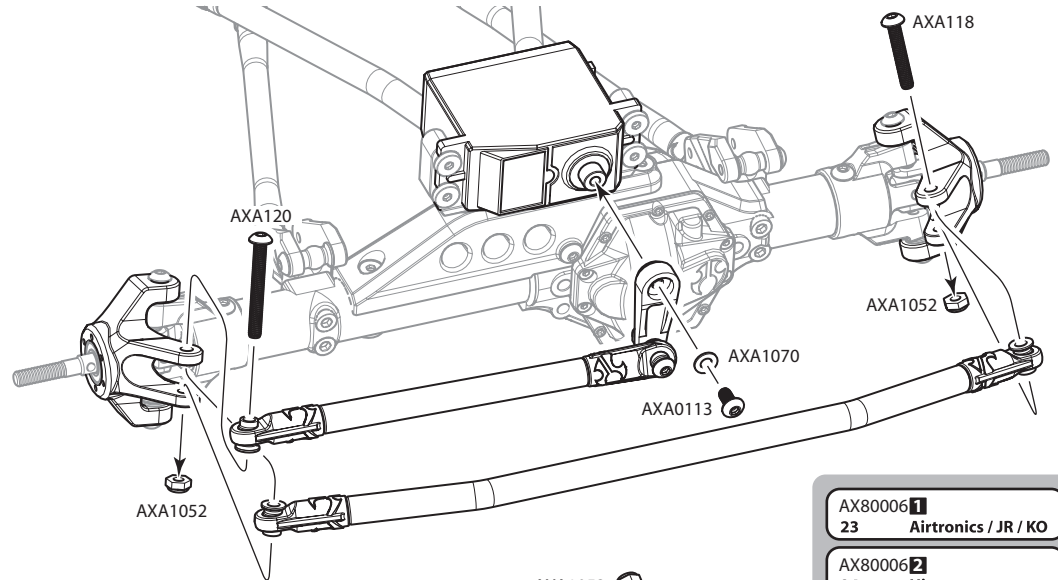
**x1**



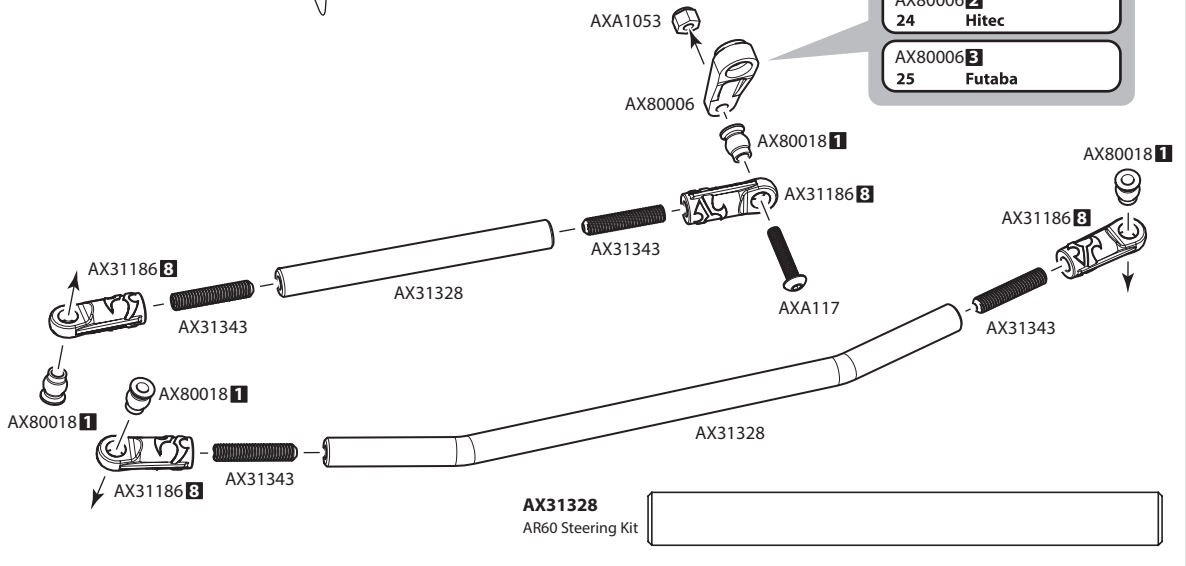
**AXA1070**  
Washer 3x6x0.5mm

**x1**

**12**



- AX80006 **1**  
23 Airtronics / JR / KO
- AX80006 **2**  
24 Hitec
- AX80006 **3**  
25 Futaba





**AXA118**  
M3x18mm Hex Socket Button Head

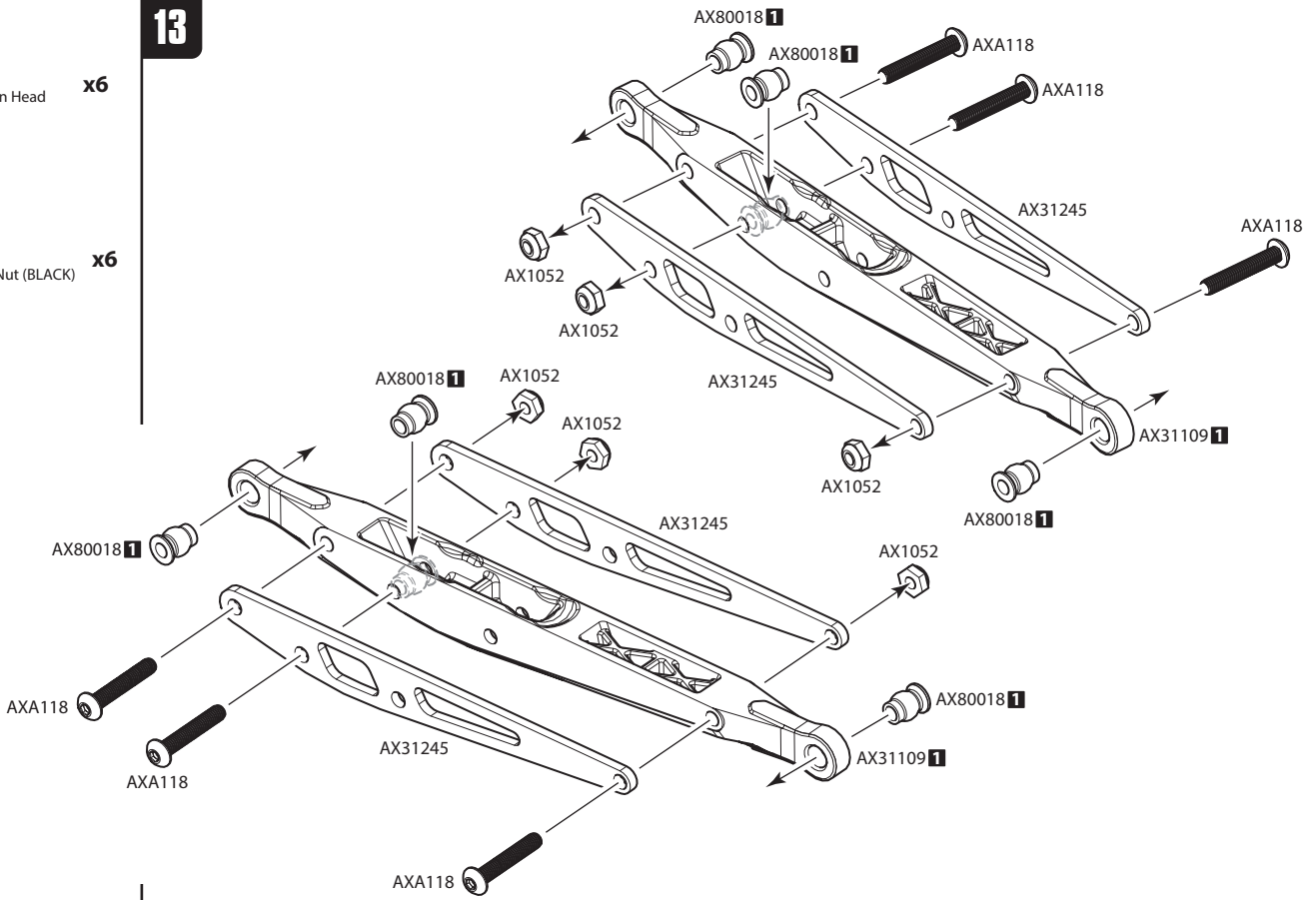
**x6**



**AX1052**  
M3 Thin Nylon Locking Hex Nut (BLACK)

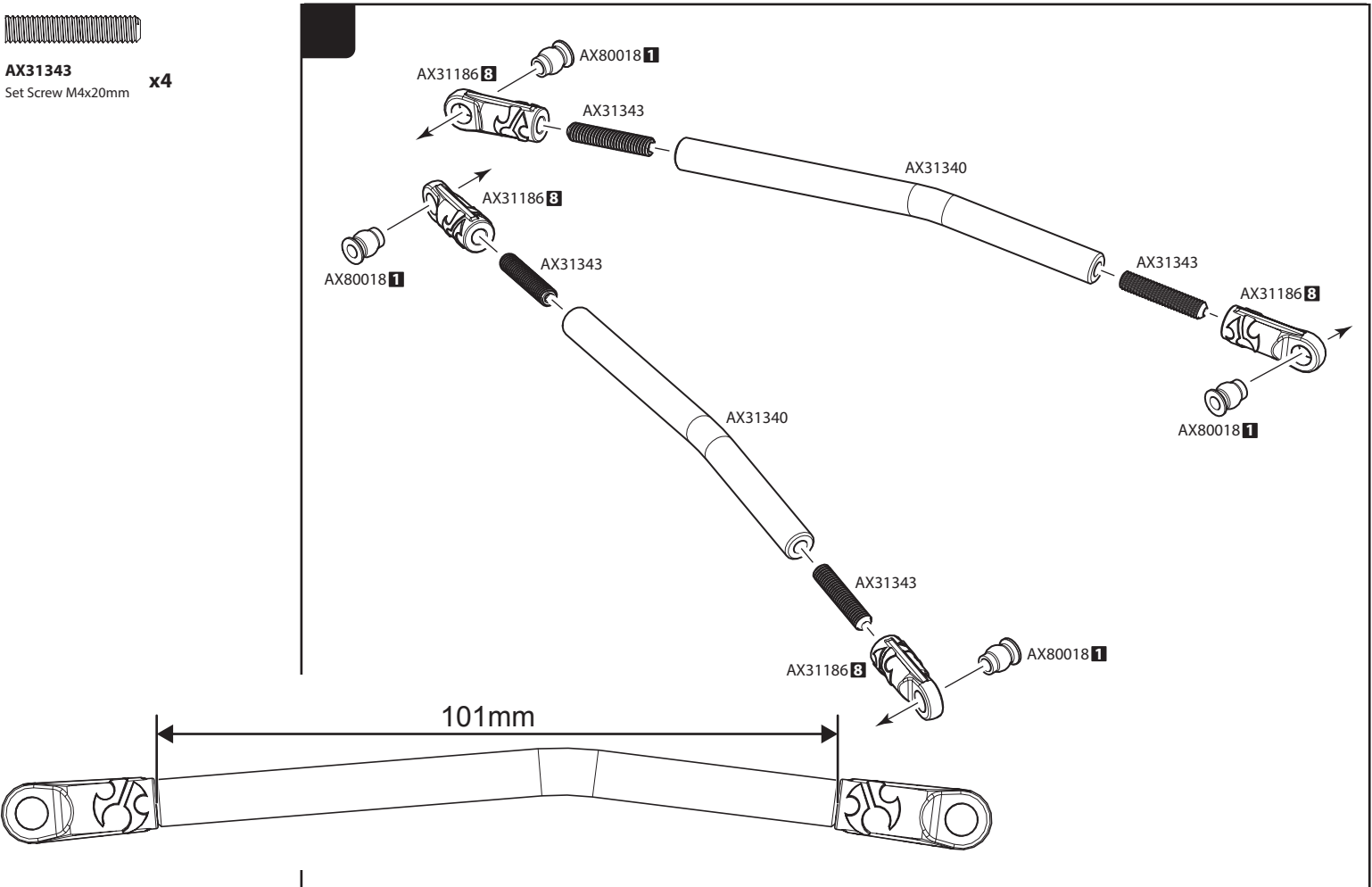
**x6**

**13**



**AX31343**  
Set Screw M4x20mm

**x4**

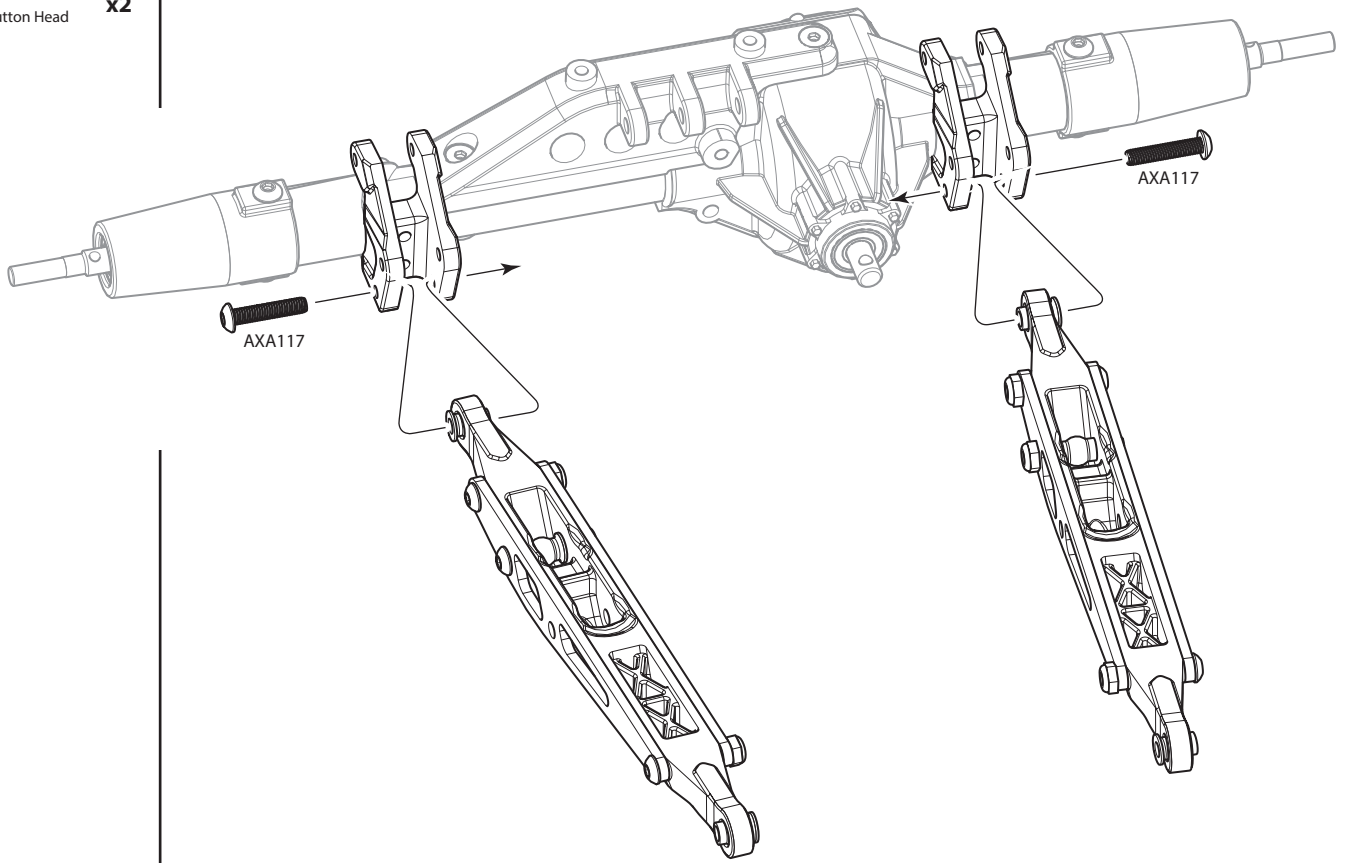




**AXA117**  
M3x15mm Hex Socket Button Head

**x2**

**15**



**AXA091**  
M3x30mm Cap Head

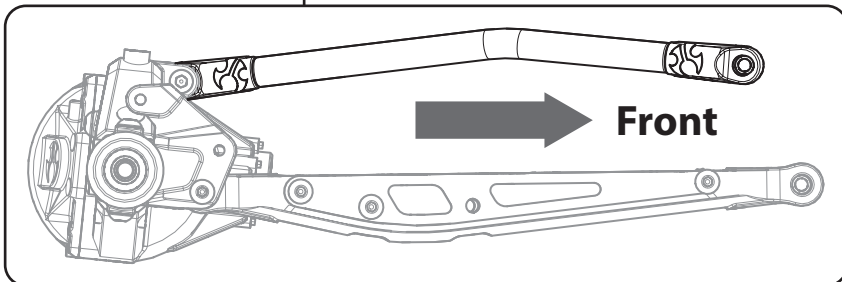
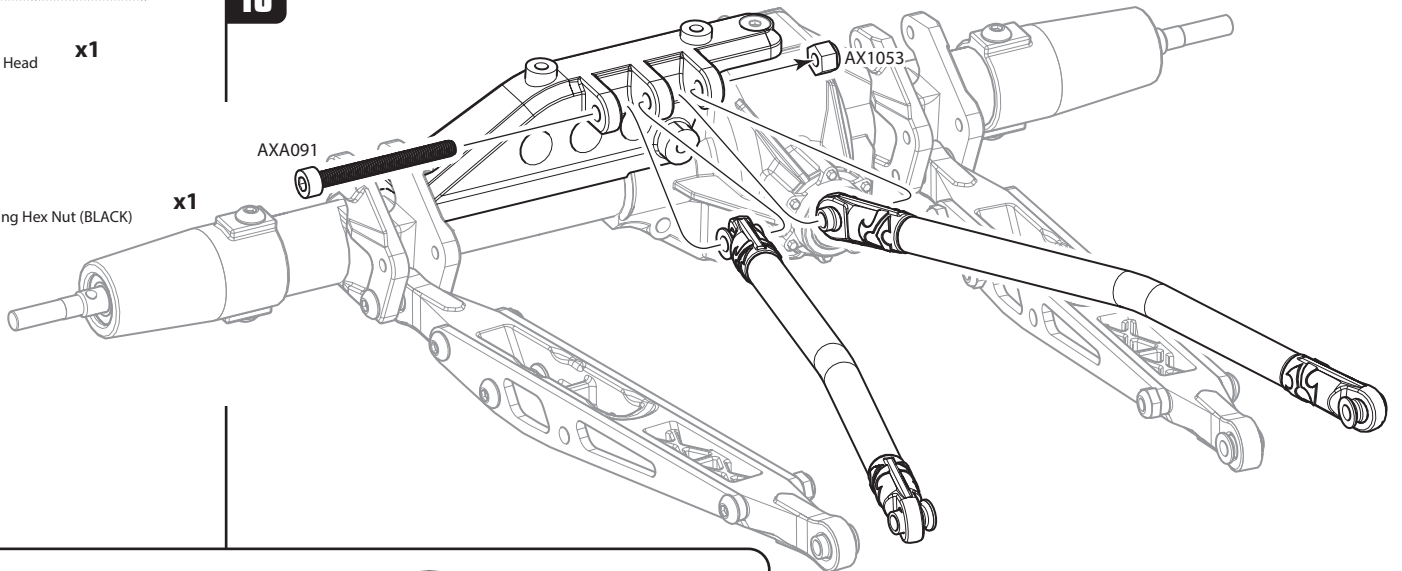
**x1**

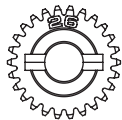
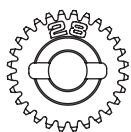
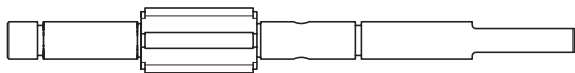
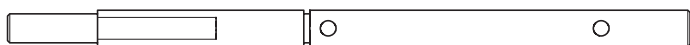
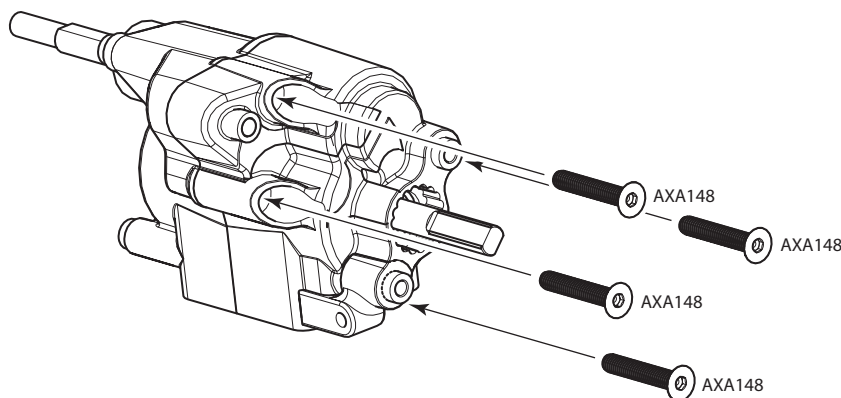
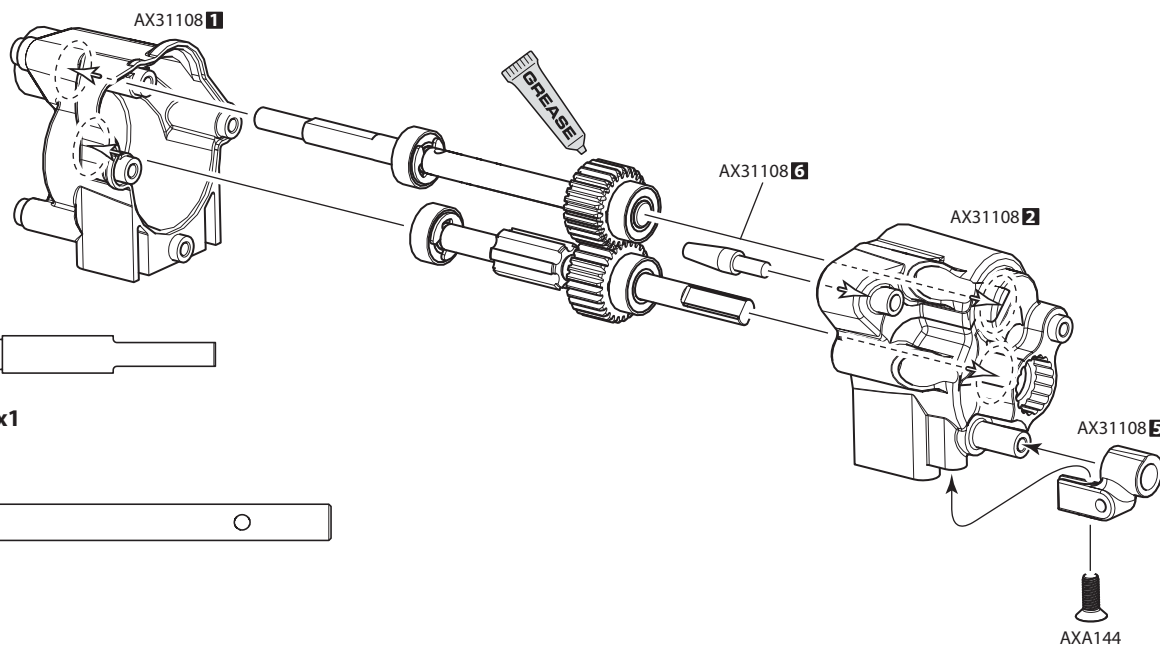
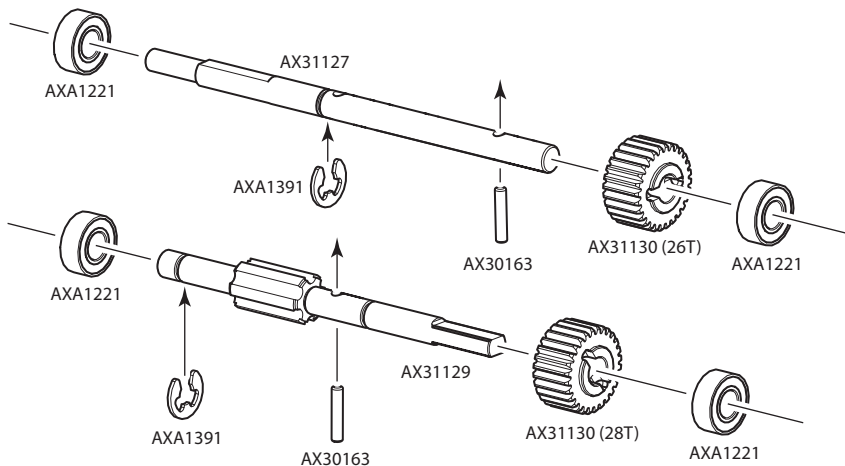


**AXA1053**  
M3 Nylon Locking Hex Nut (BLACK)

**x1**

**16**



**AX30163**  
Pin 1.5x8mm **x2****AXA1391**  
E4 e-clip **x2****AX31130**  
26T 48P 2 Speed Gear **x1****AX31130**  
28T 48P 2 Speed Gear (High Speed Option) **x1****AXA1221**  
Bearing 5x11x4mm **x4****AX31129**  
2-Speed Hi/Lo Transmission Bottom Shaft 5x75mm **x1****AX31127**  
2-Speed Hi/Lo Transmission Top Shaft **x1****AXA144**  
M3x8mm Hex Socket Flat Head **x1****AXA148**  
M3x18mm Hex Socket Flat Head **x4**

**AX30163**  
Pin 1.5x8mm **x1**

**AXA1391**  
E4 e-clip **x1**

**AXA1221**  
Bearing 5x11x4mm **x6**

**AX31131**  
T-Case Gear Set **x1**

**AXA0147**  
M3x16mm Hex Socket Flat Head **x1**

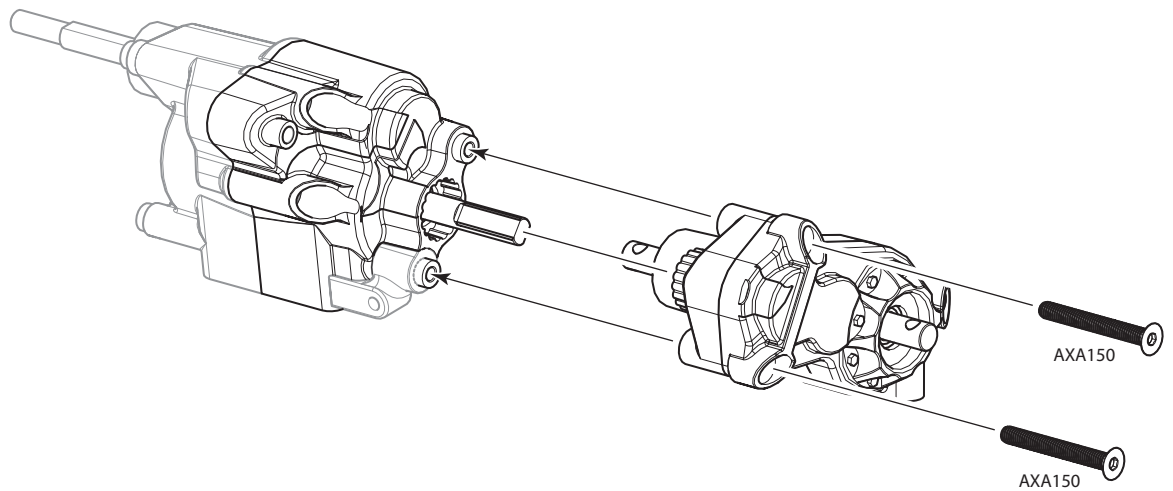
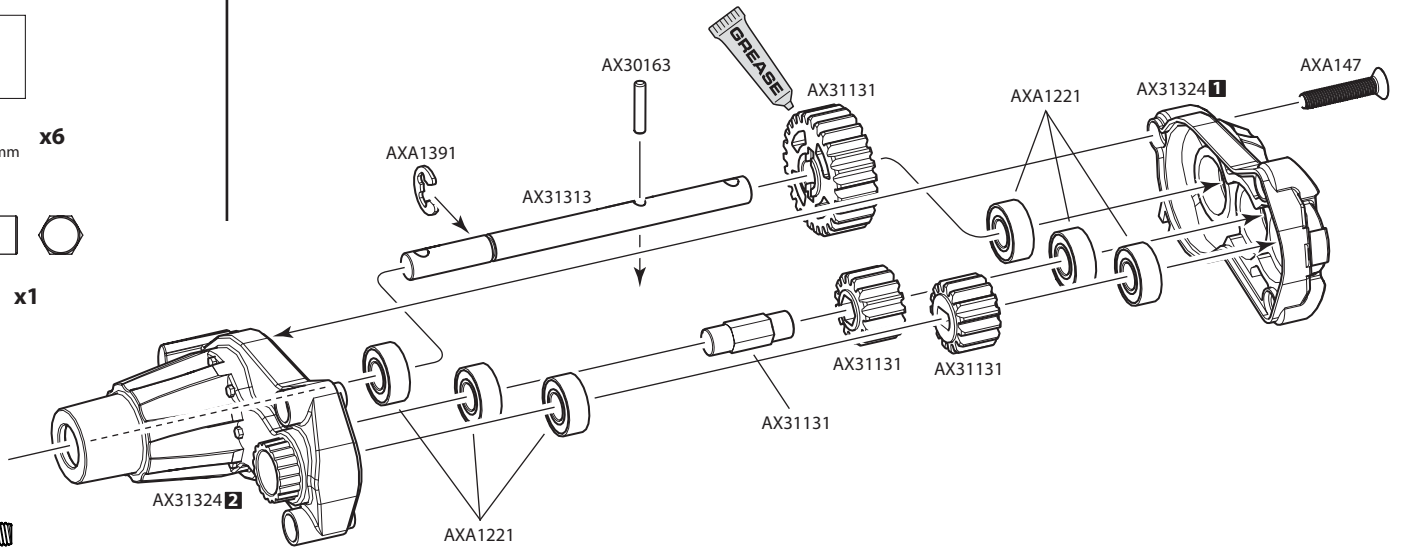
**AX31313**  
Transfer Case Output Shaft 5x68mm **x1**

**AX31131**  
T-Case Gear Set **x1**

**AX31131**  
T-Case Gear Set **x1**

**AX31131**  
T-Case Gear Set **x1**

**AXA150**  
M3x25mm Hex Socket Flat Head **x2**

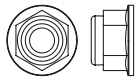
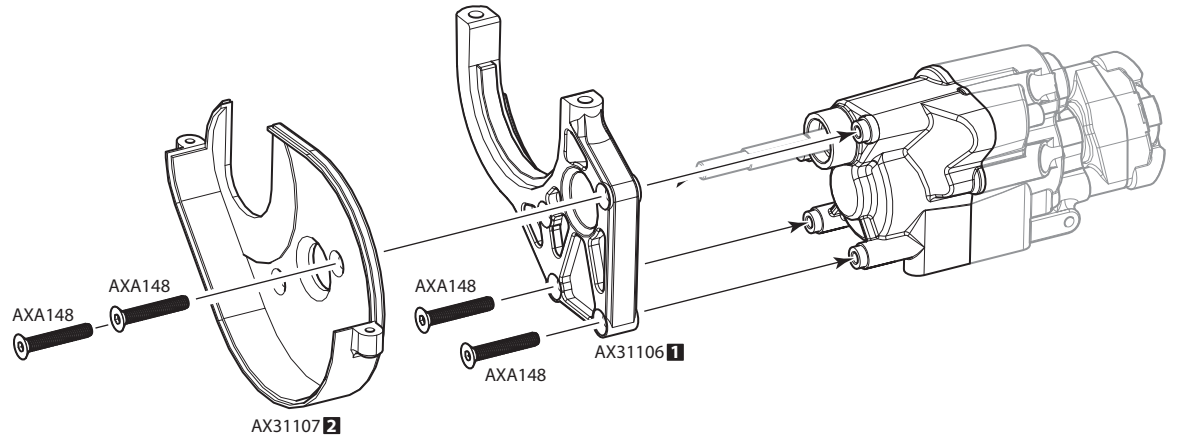




**AXA148**  
M3x18mm Hex Socket Flat Head

**x4**

**19**



**AXA1045**  
M4 Nylon Lock Nut (Black)

**x1**

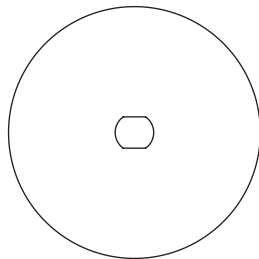
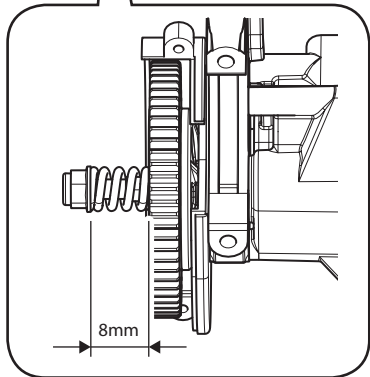
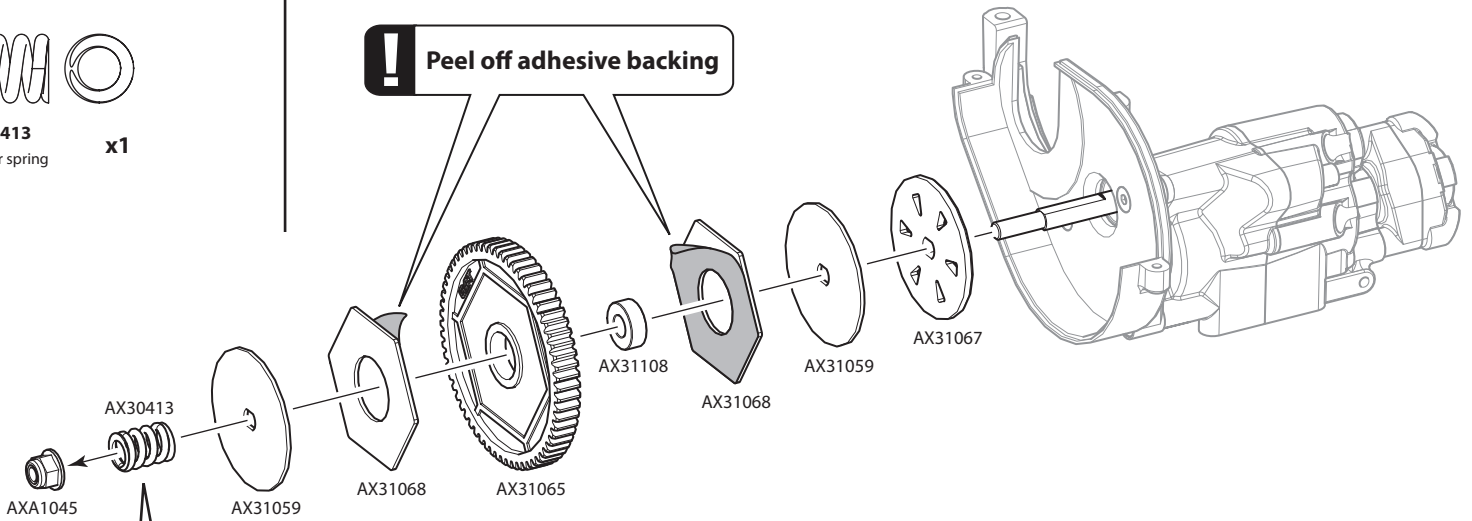


**AX30413**  
Slipper spring

**x1**

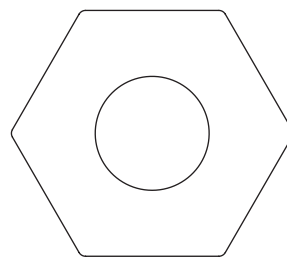
**20**

**!** Peel off adhesive backing



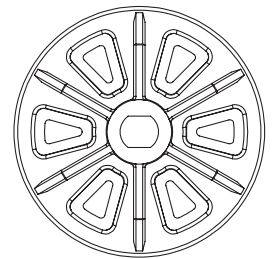
**AX31059**  
Slipper Plate Washer 33x1mm

**x2**



**AX31068**  
Slipper Pad 32.8x15.2x1mm

**x2**



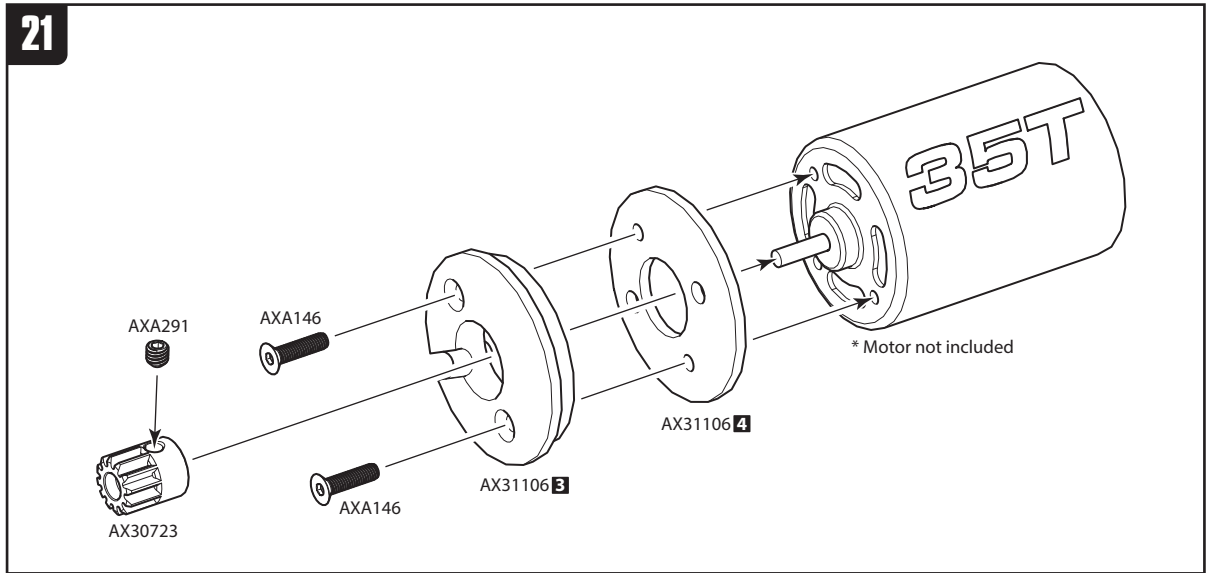
**AX31067**  
Slipper Plate

**x1**

**AXA291**  
M4x4mm **x1**

**AXA146**  
M3x12mm Hex Socket Flat Head **x2**

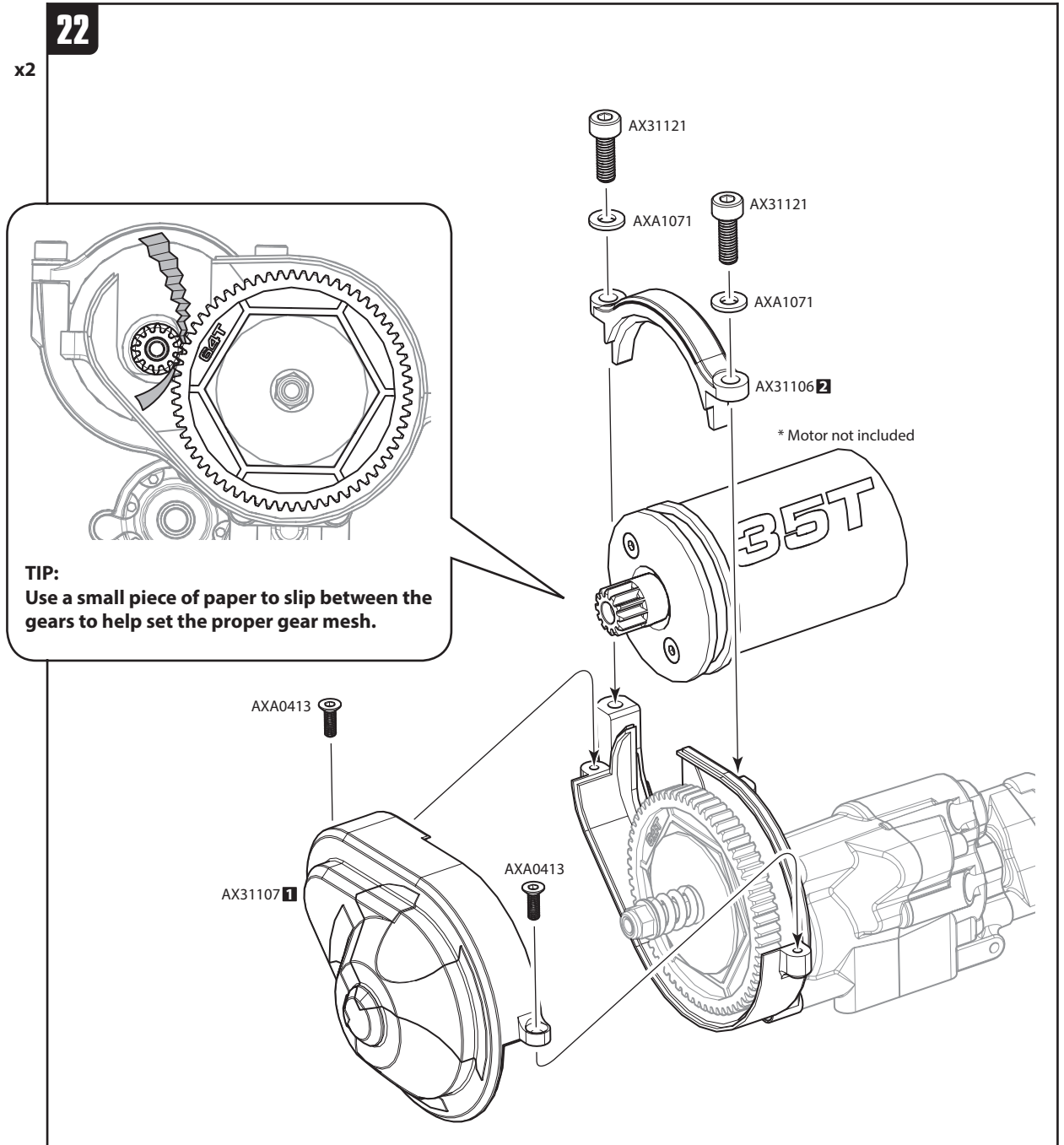
**AX30723**  
Pinion 32DP 12T **x1**



**AXA0413**  
M2.6x8mm Hex Socket Tapping Flat Head **x2**

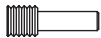
**AX31121**  
M4x12mm Cap Head **x2**

**AXA1071**  
Washer 4x8x0.5mm **x2**



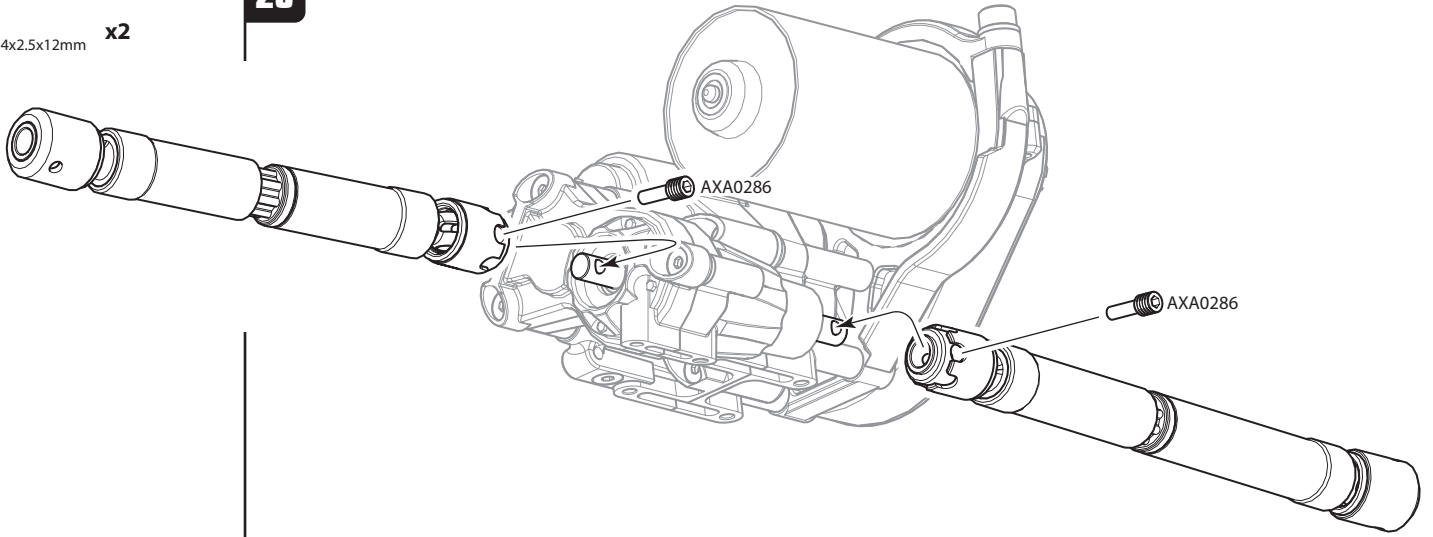






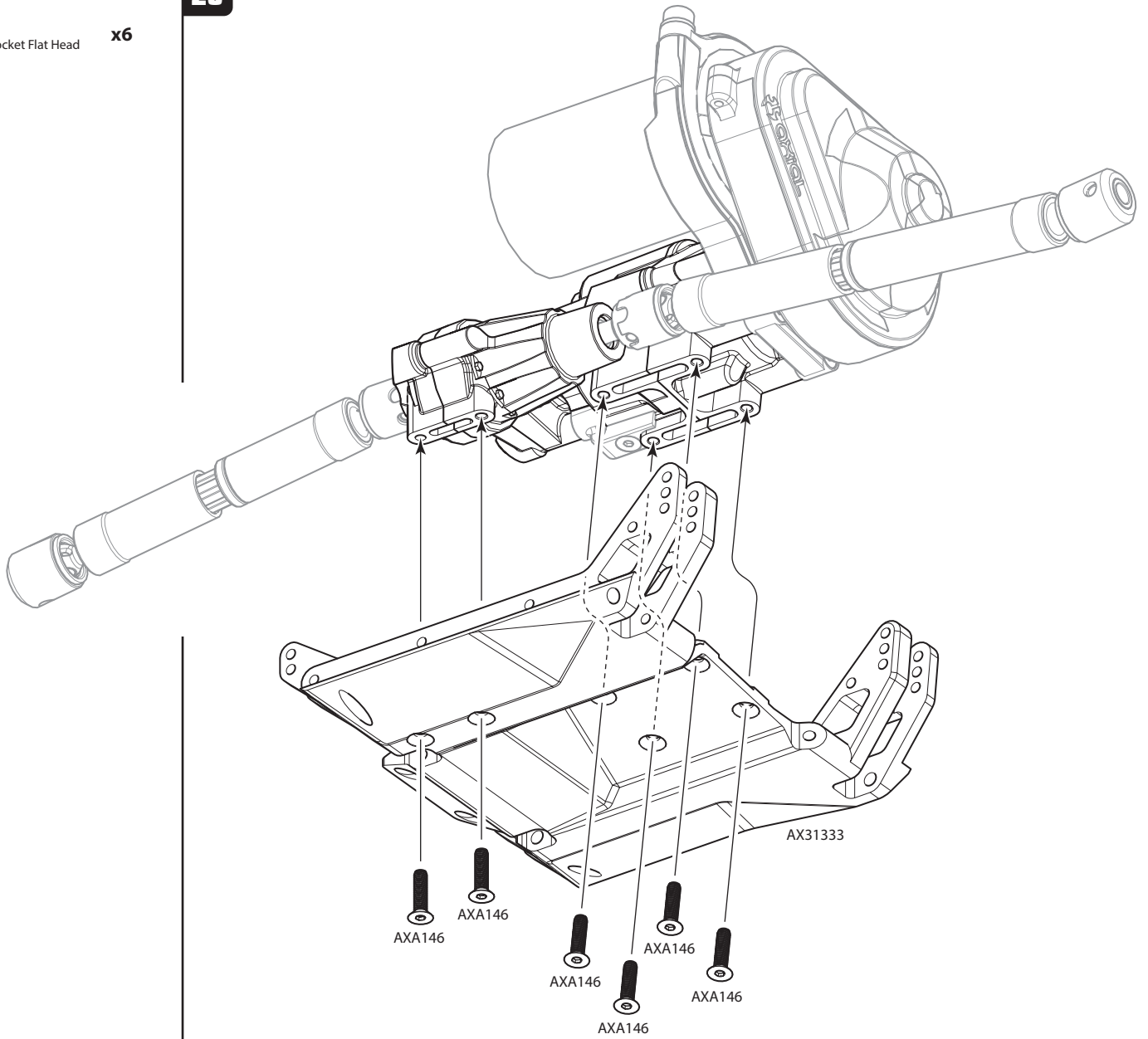
**AXA0286**  
Screw Shaft M4x2.5x12mm **x2**

**25**



**AXA146**  
M3x12mm Hex Socket Flat Head **x6**

**26**

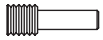




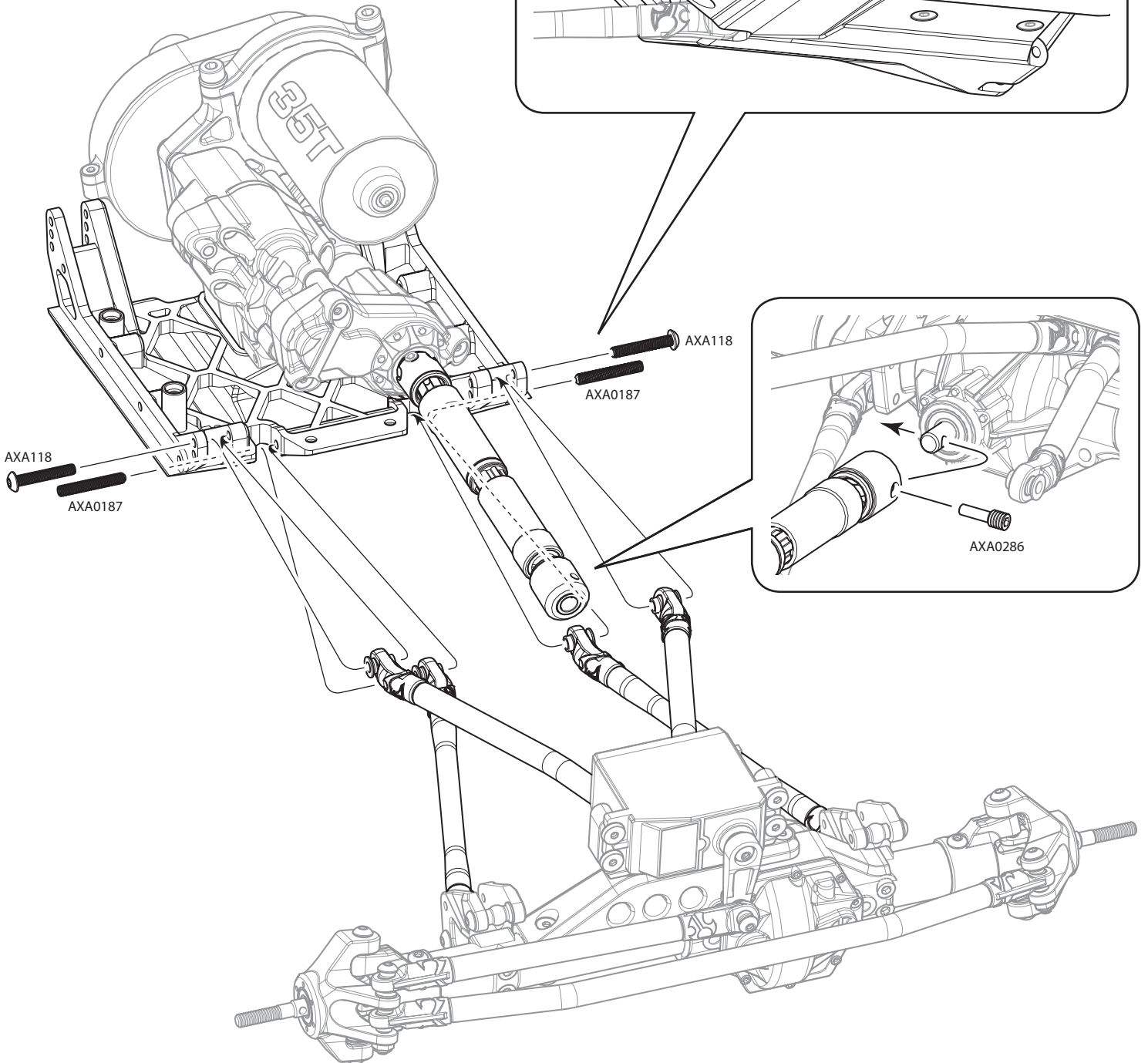
**AXA118**  
M3x18mm Hex Socket Button Head **x2**



**AXA0187**  
Set Screw M3x20mm **x2**



**AXA0286**  
Screw Shaft M4x2.5x12mm **x1**

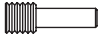




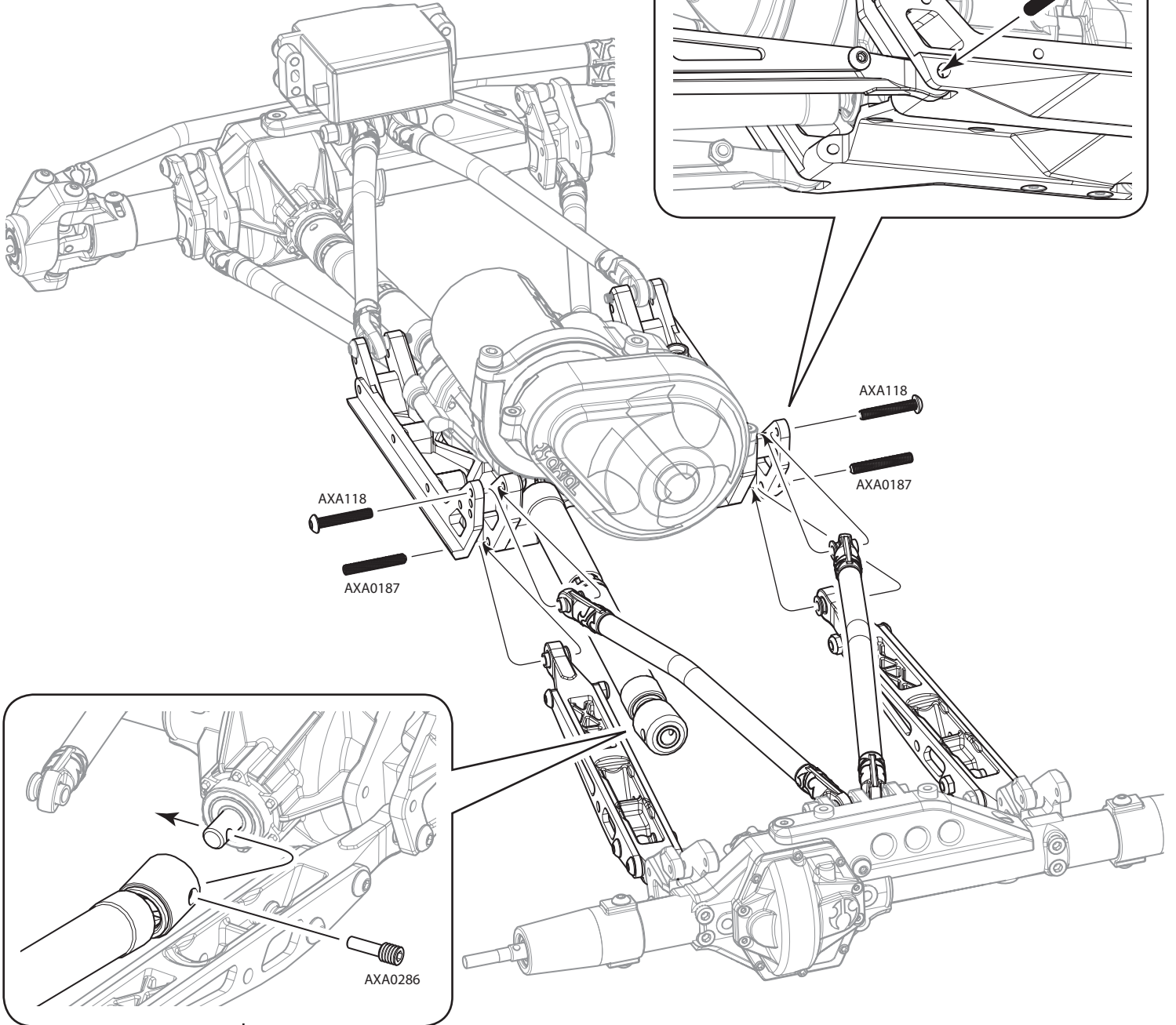
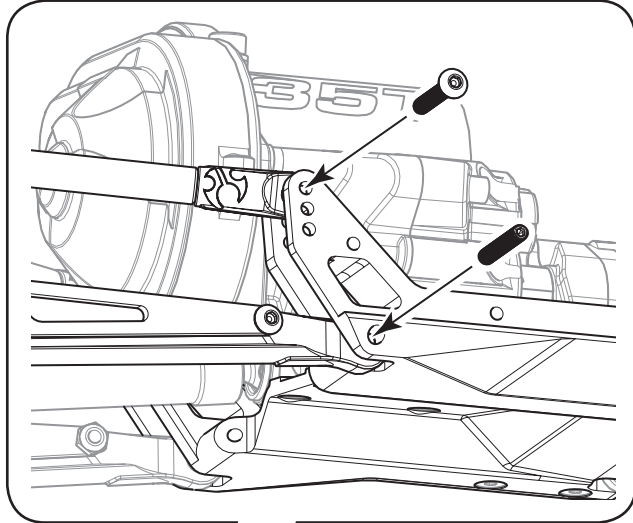
**AXA118**  
M3x18mm Hex Socket Button Head **x2**



**AXA0187**  
Set Screw M3x20mm **x2**



**AXA0286**  
Screw Shaft M4x2.5x12mm **x1**

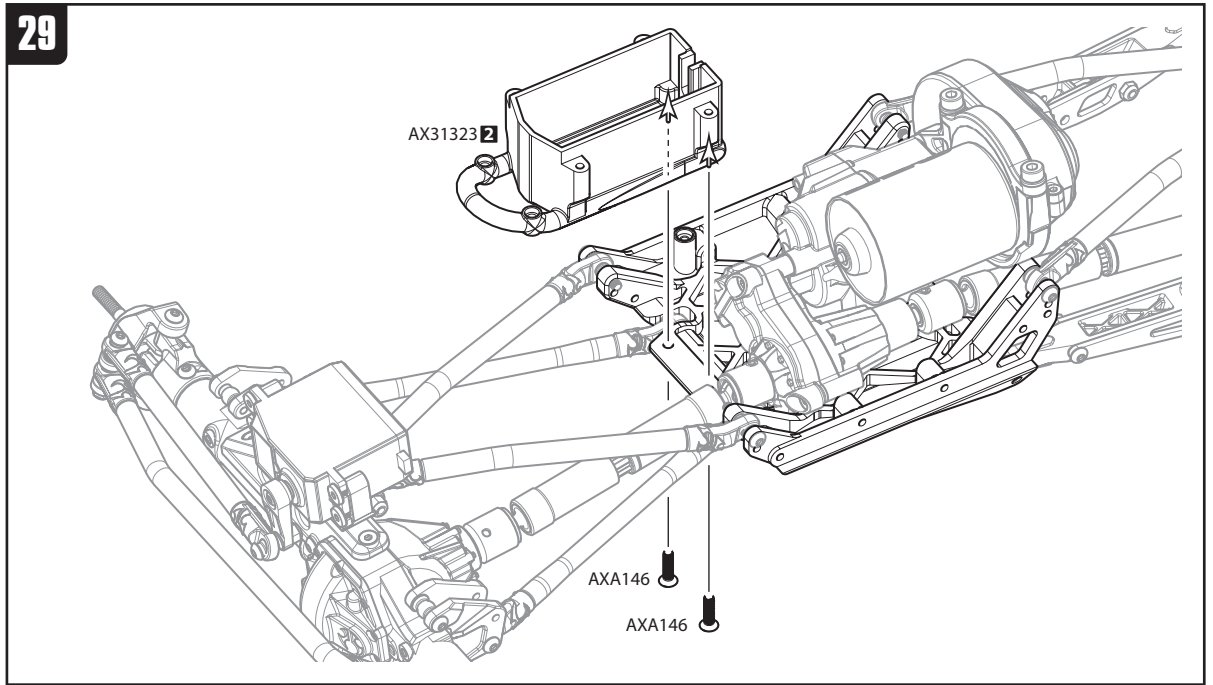




**AXA146**  
M3x12mm Hex Socket Flat Head

**x2**

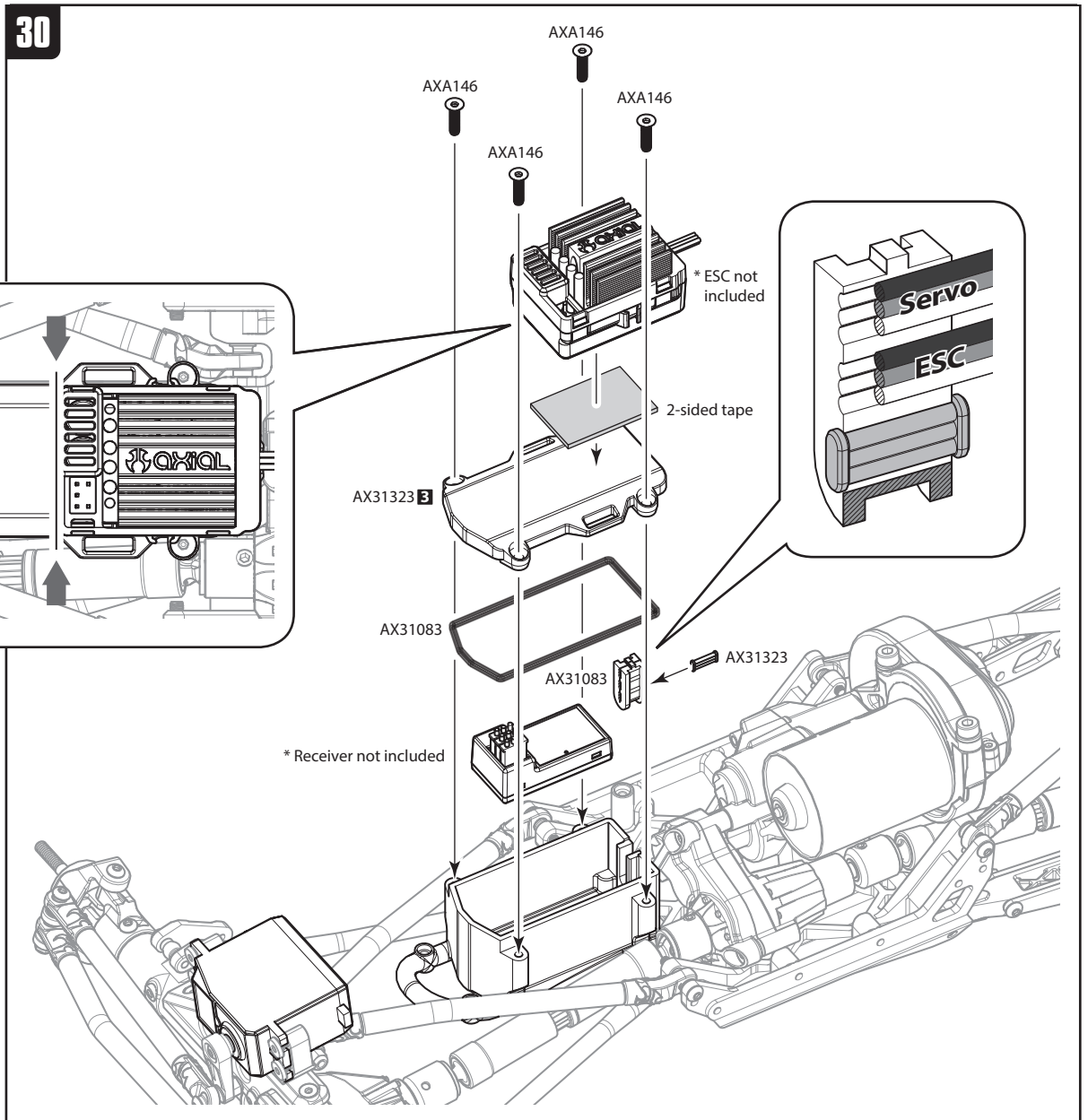
**29**



**AXA146**  
M3x12mm Hex Socket Flat Head

**x4**

**30**



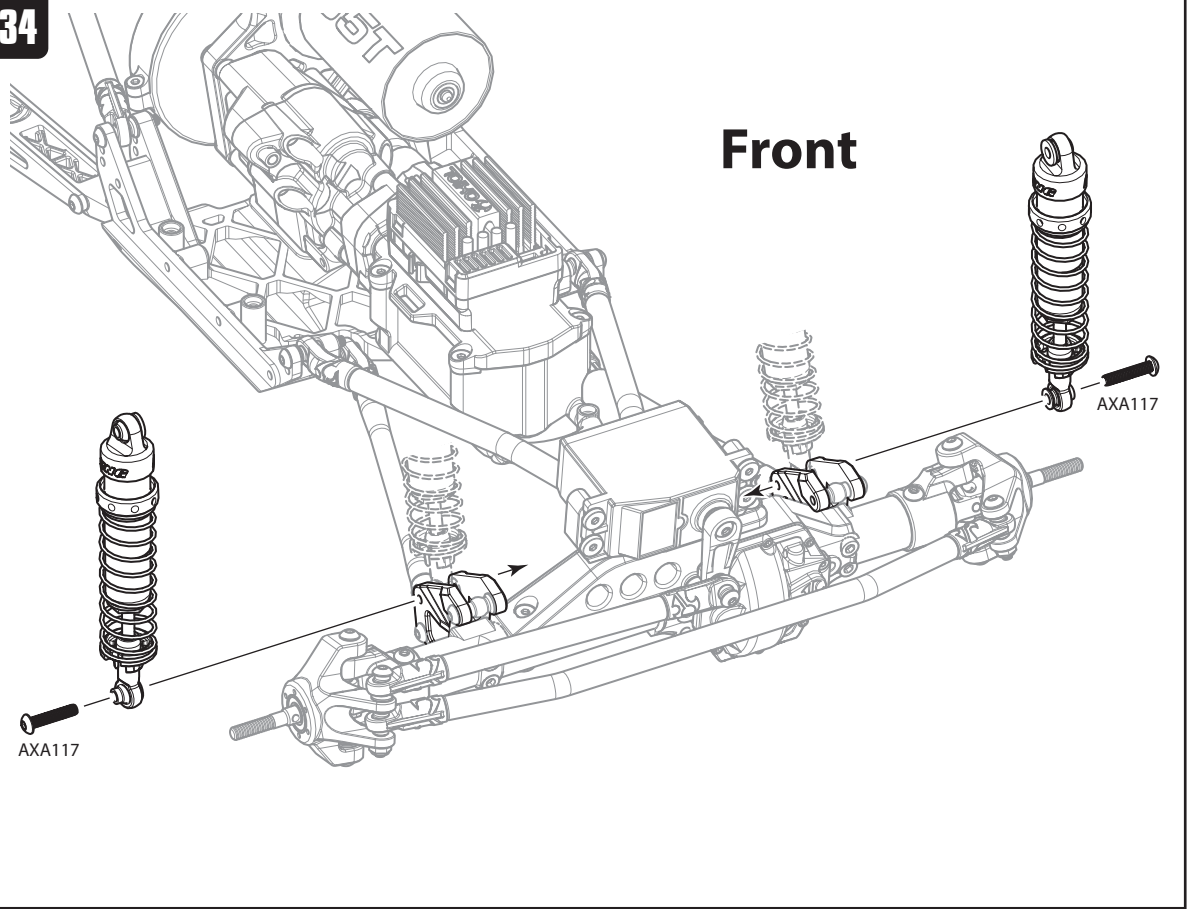




**AXA117**  
M3x15mm Hex Socket Button Head

x2

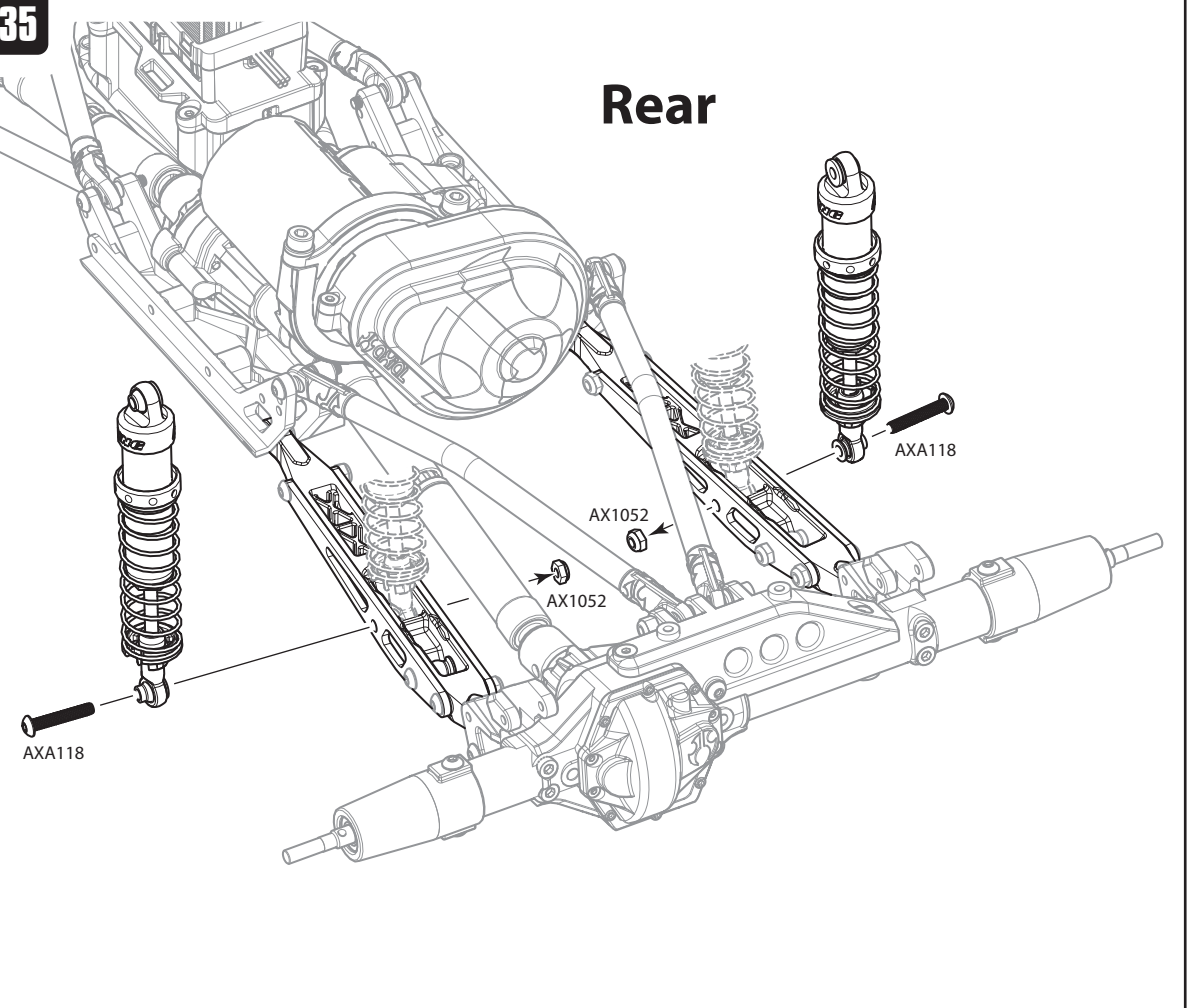
**34**



**AXA118**  
M3x18mm Hex Socket Button Head

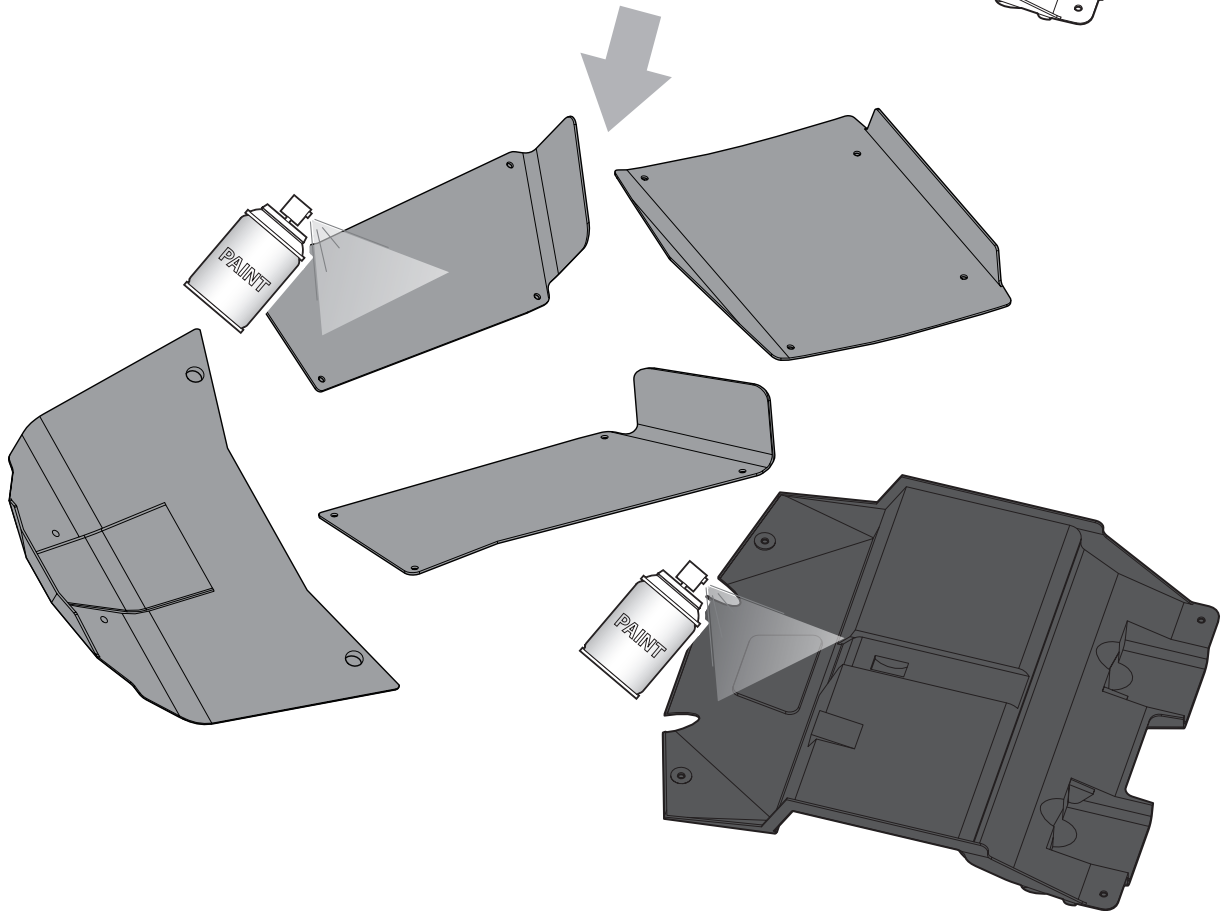
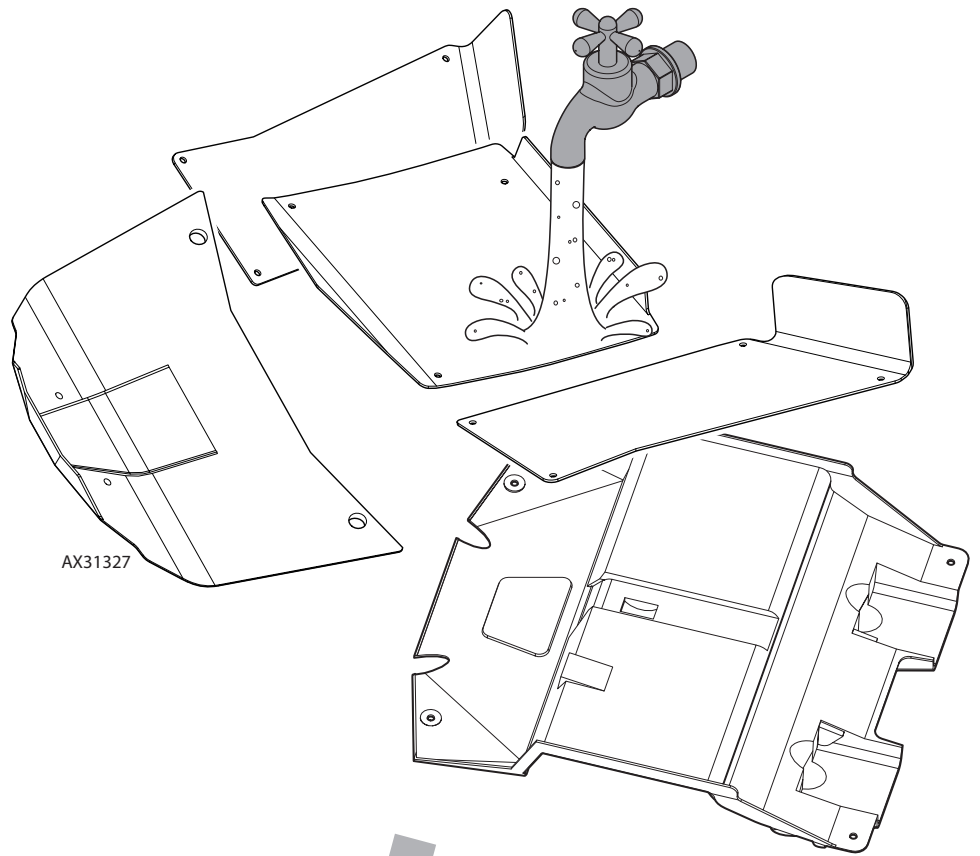
x2

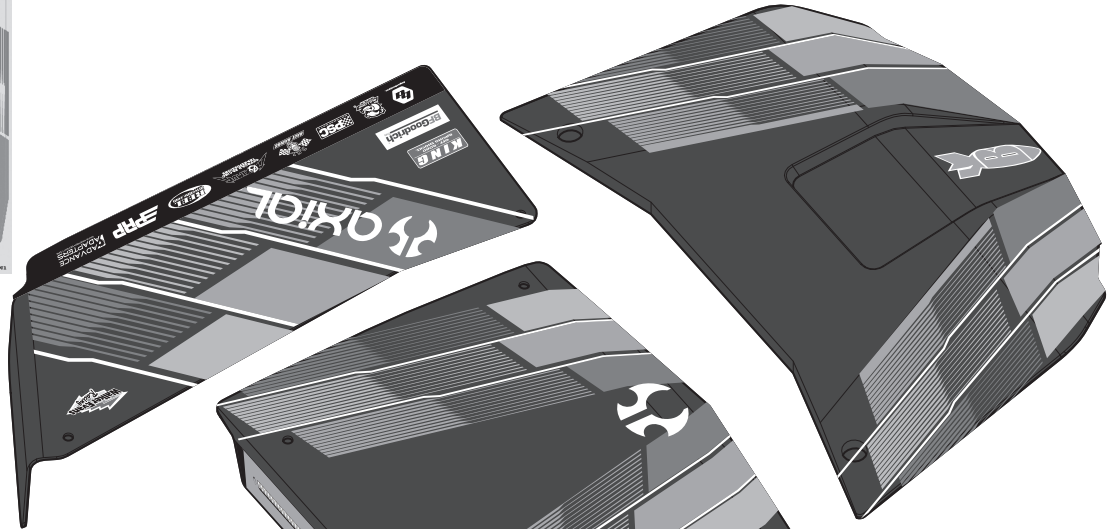
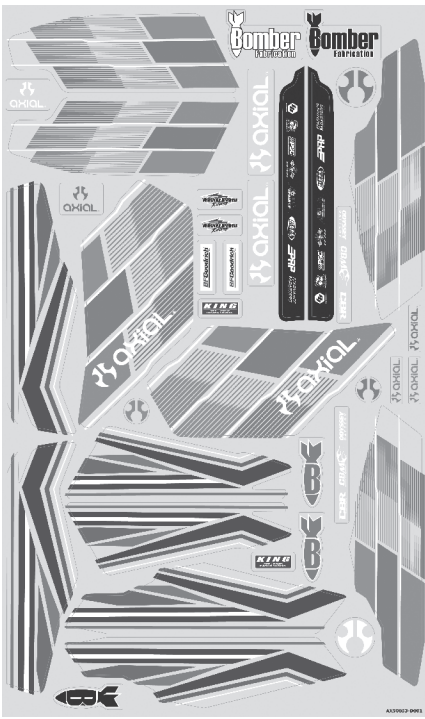
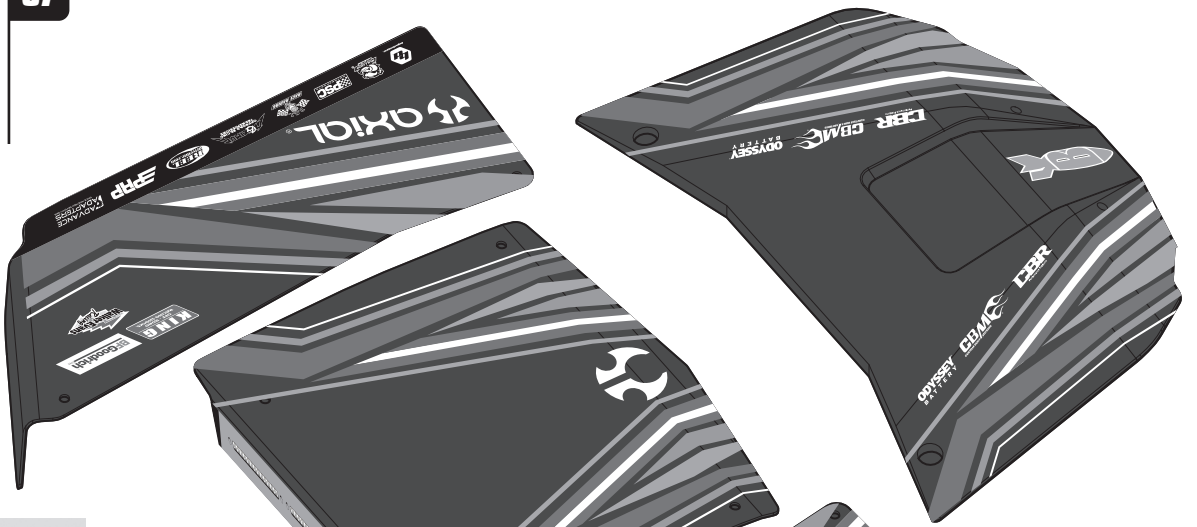
**35**



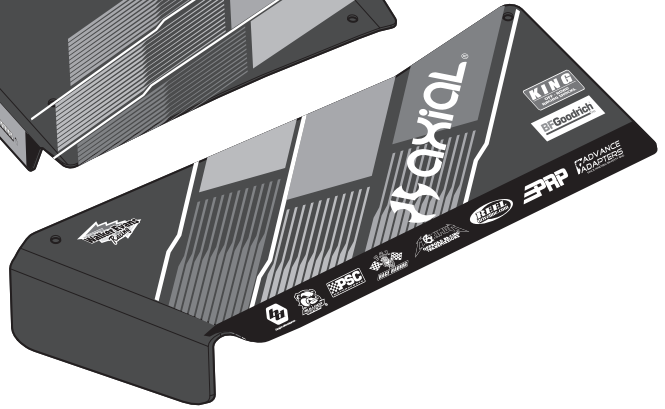
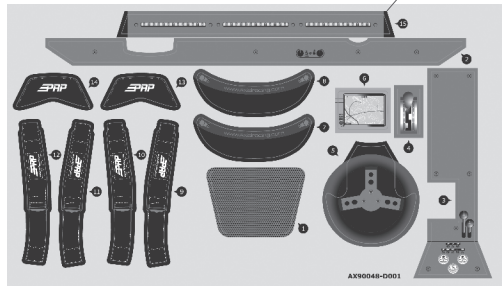
**AX1052**  
M3 Thin Nylon Locking Hex Nut (BLACK)

x2





15

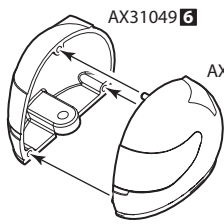




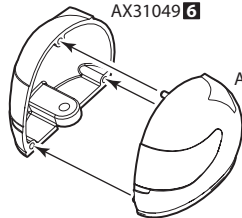
**E** Open Bag E

**3** Open Plastic Bag 3

**38**



AX31049 **5**



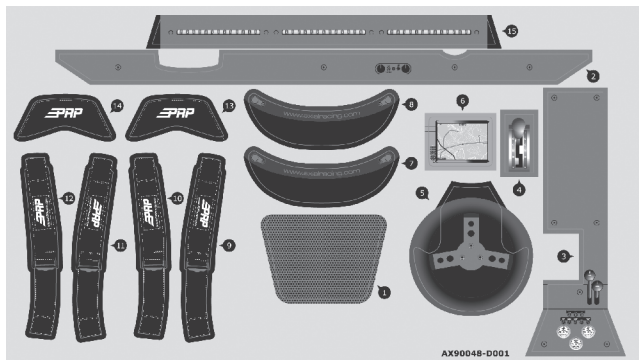
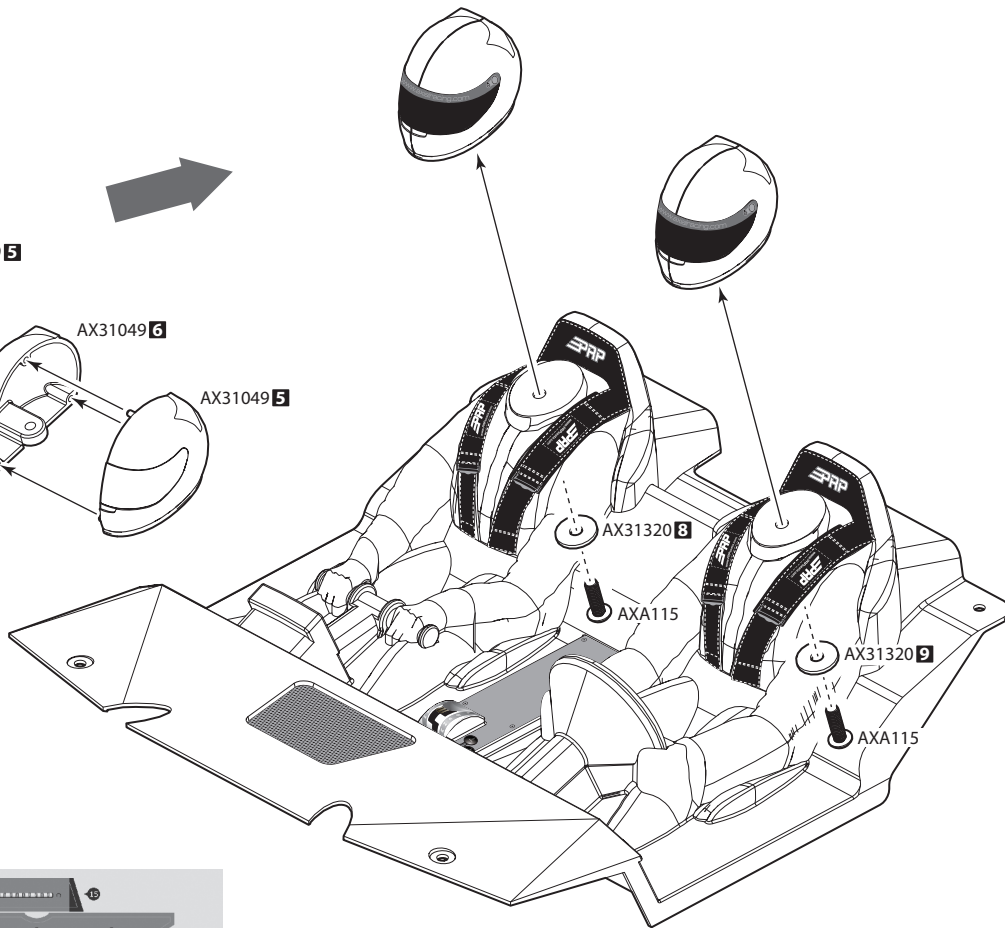
AX31049 **6**

AX31049 **5**

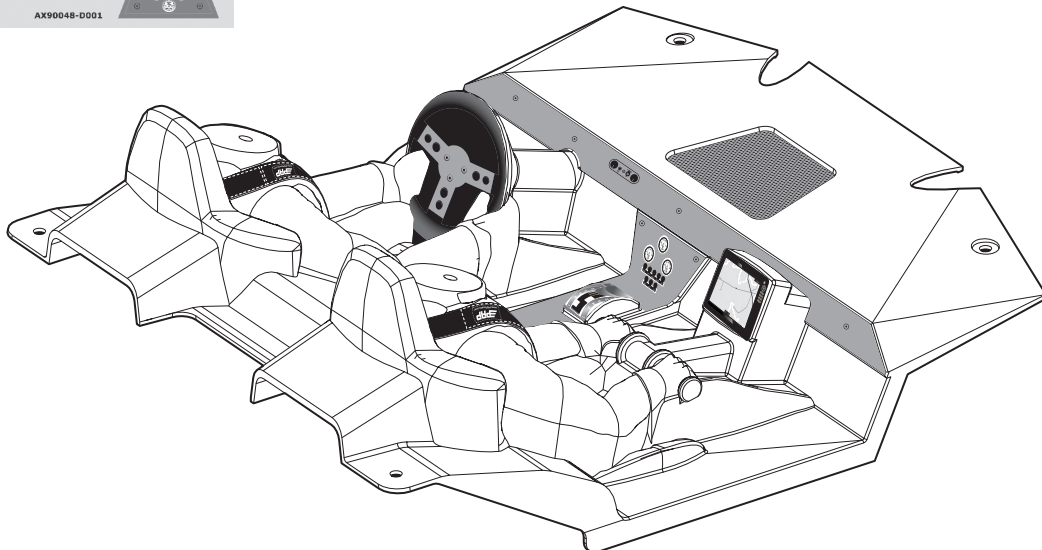


**AXA115**  
M3x10mm Hex Socket Button Head

**x2**



AX90048-0001

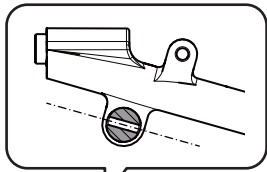




**AXA114**  
M3x8mm Hex Socket Button Head **x2**



**AXA117**  
M3x15mm Hex Socket Button Head **x4**



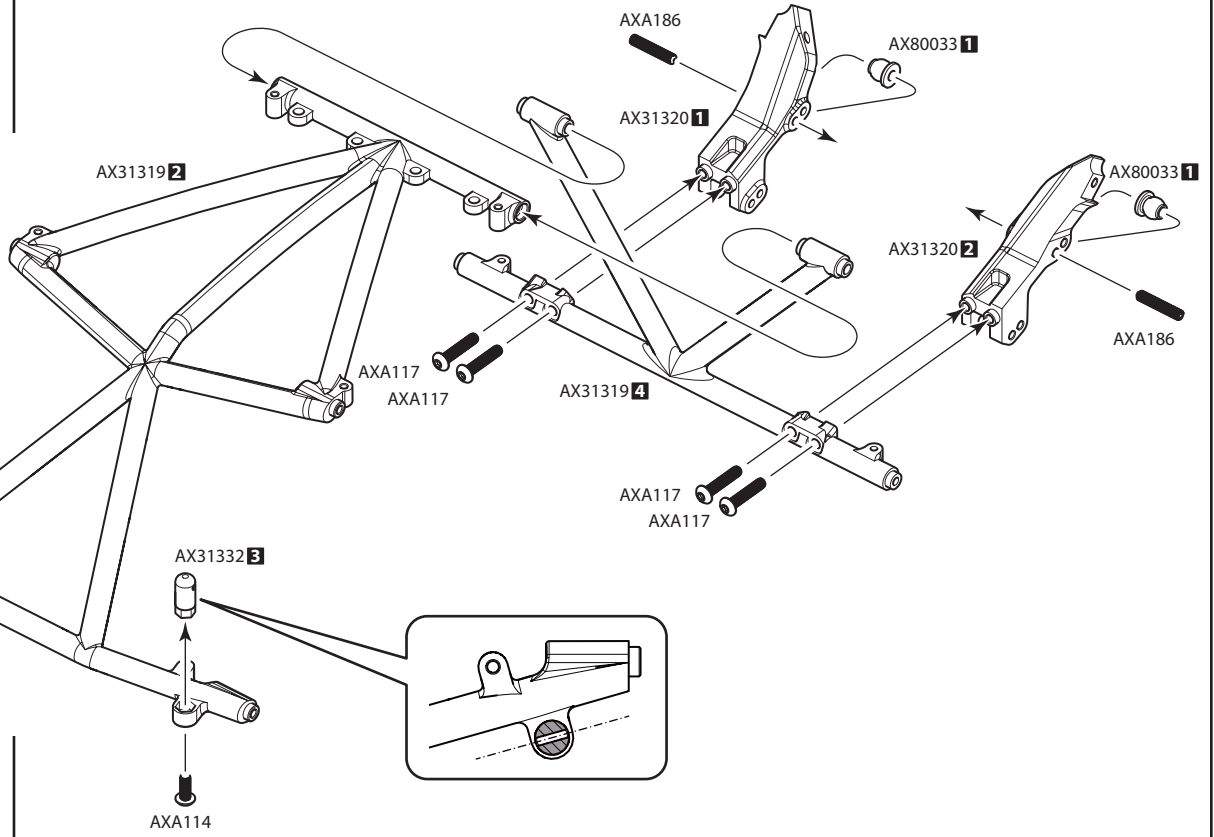
AX31332 **3**

AXA114



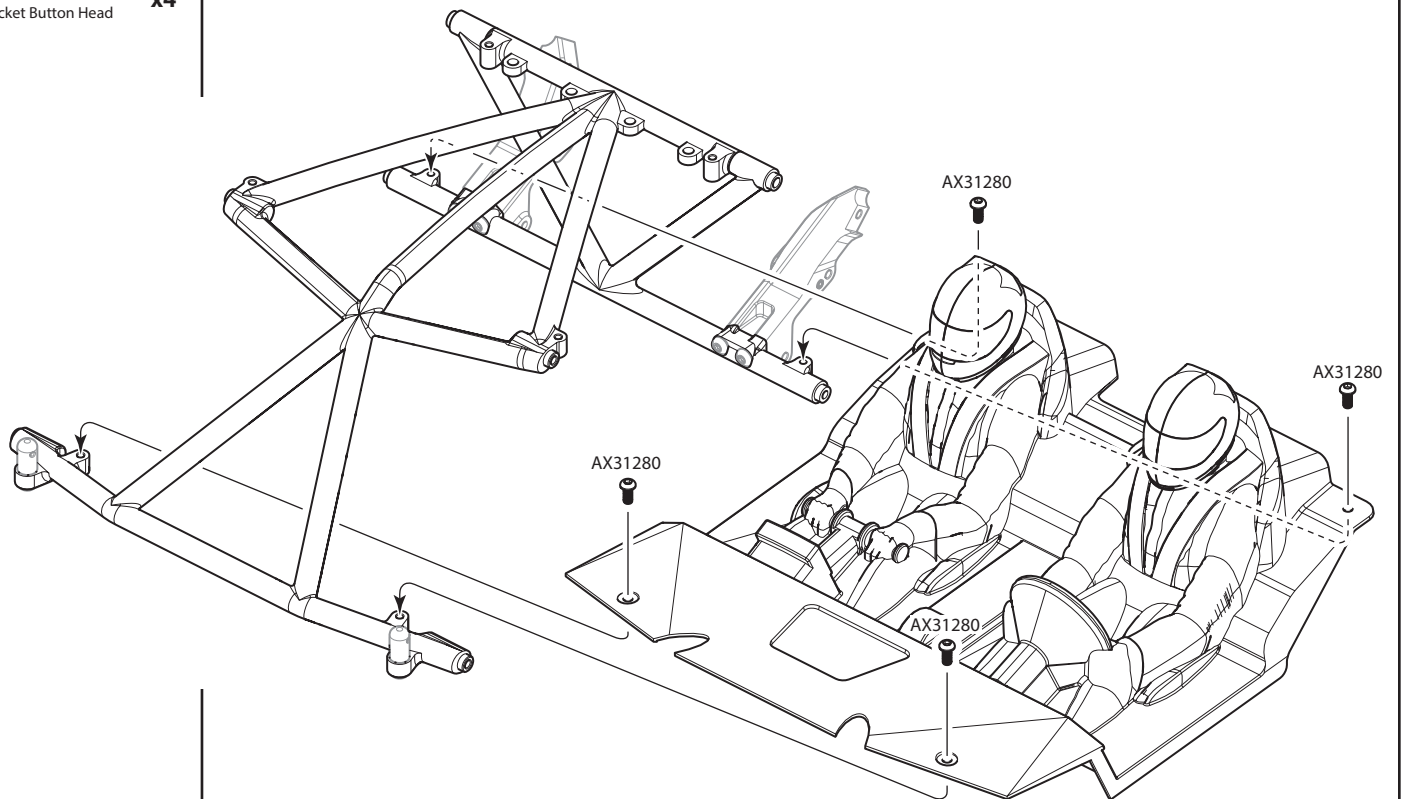
**AXA186**  
Set Screw M3x16mm **x2**

**39**



**AX31280**  
M2.6x6mm Hex Socket Button Head **x4**

**40**





**AXA116**  
M3x12mm Hex Socket Button Head

**x3**



**AXA118**  
M3x18mm Hex Socket Button Head

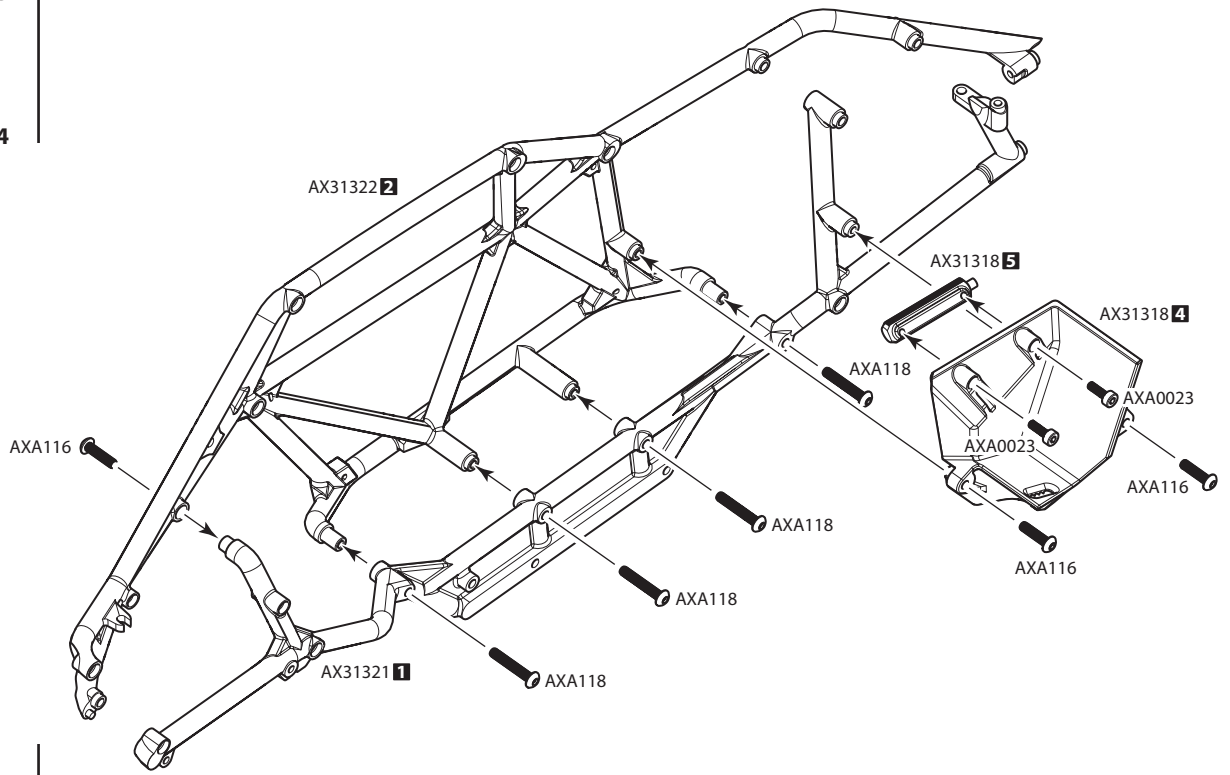
**x4**



**AXA0023**  
M2.6x8mm Cap Head

**x2**

**41**



**AXA116**  
M3x12mm Hex Socket Button Head

**x3**



**AXA118**  
M3x18mm Hex Socket Button Head

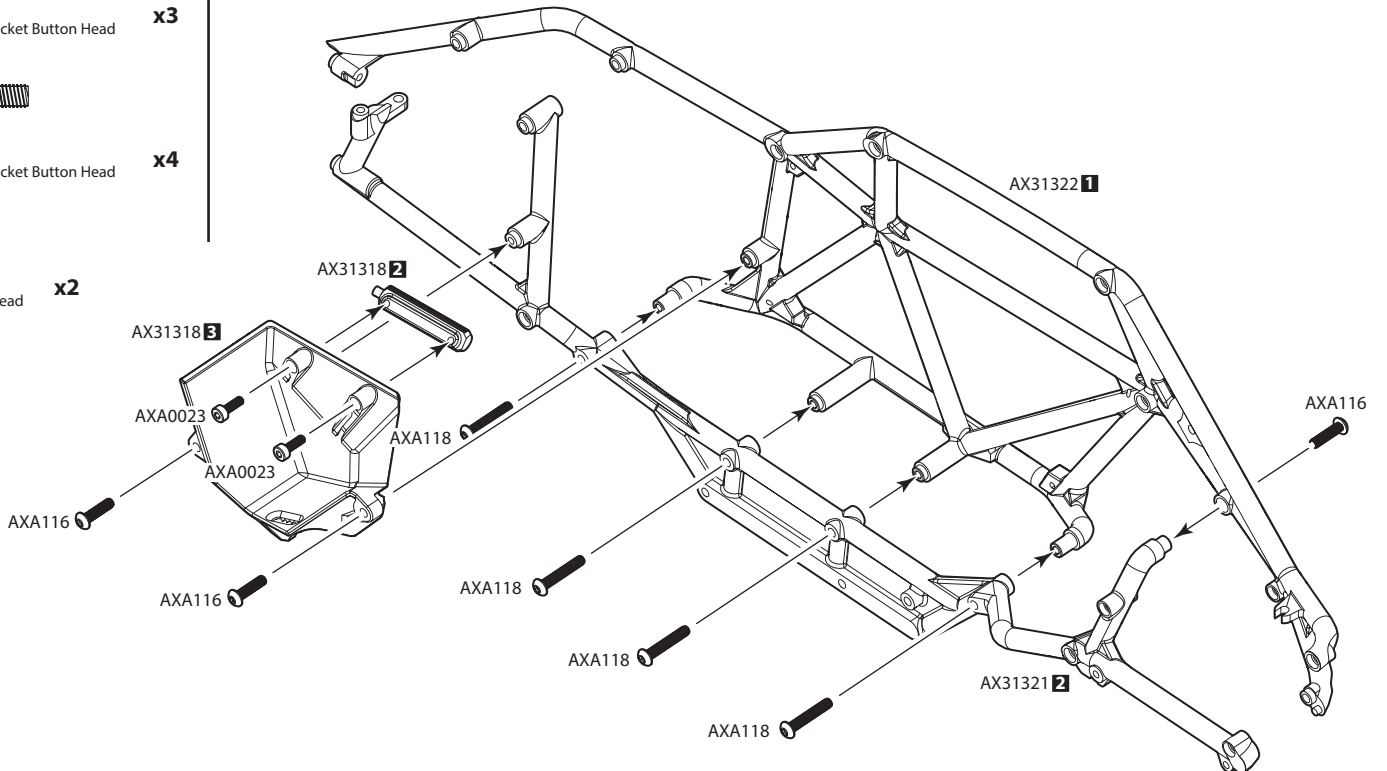
**x4**



**AXA0023**  
M2.6x8mm Cap Head

**x2**

**42**





**AXA186**  
Set Screw M3x16mm **x2**



**AXA115**  
M3x10mm Hex Socket Button Head **x2**



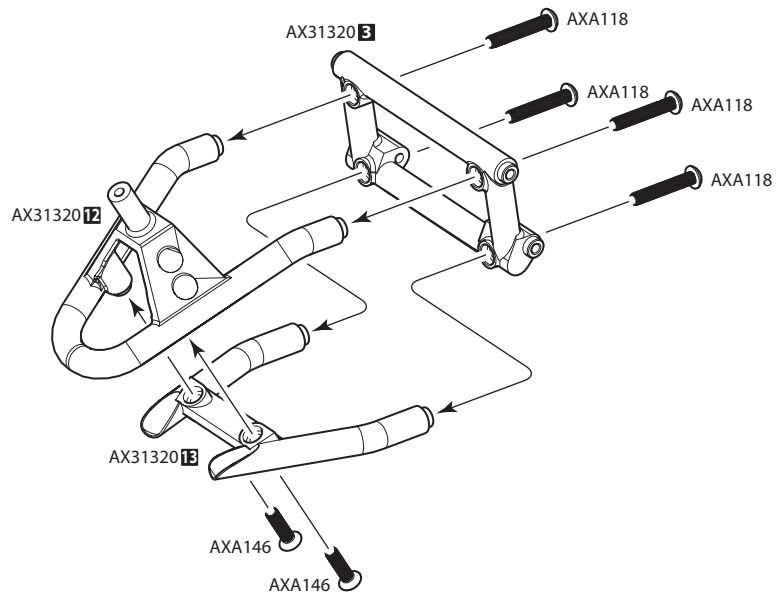
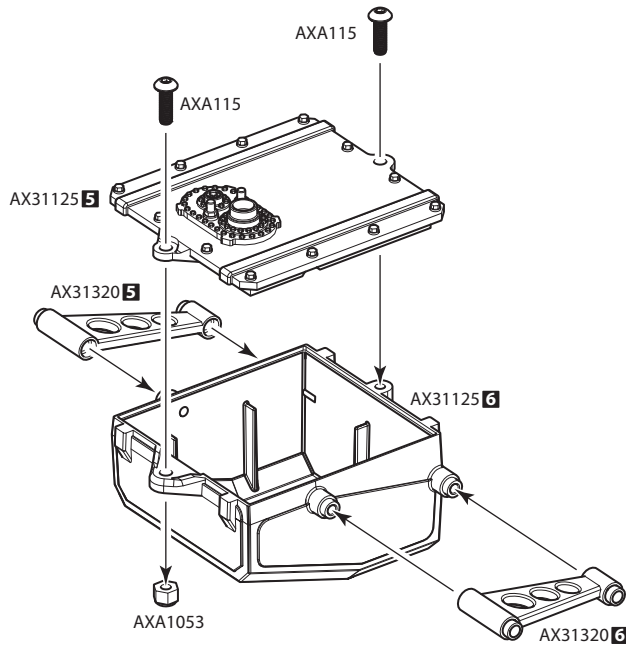
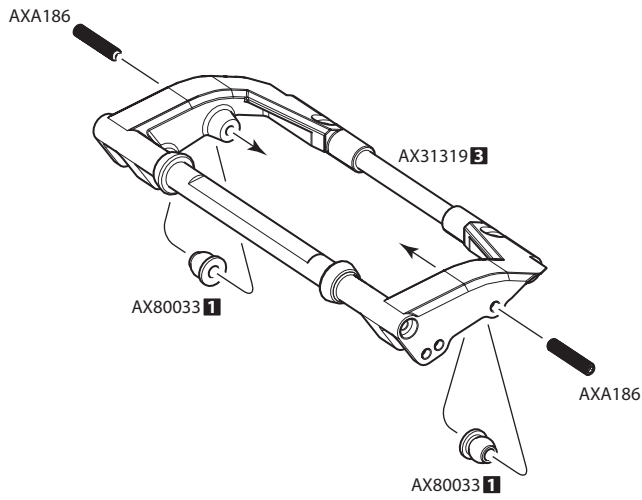
**AXA118**  
M3x18mm Hex Socket Button Head **x4**



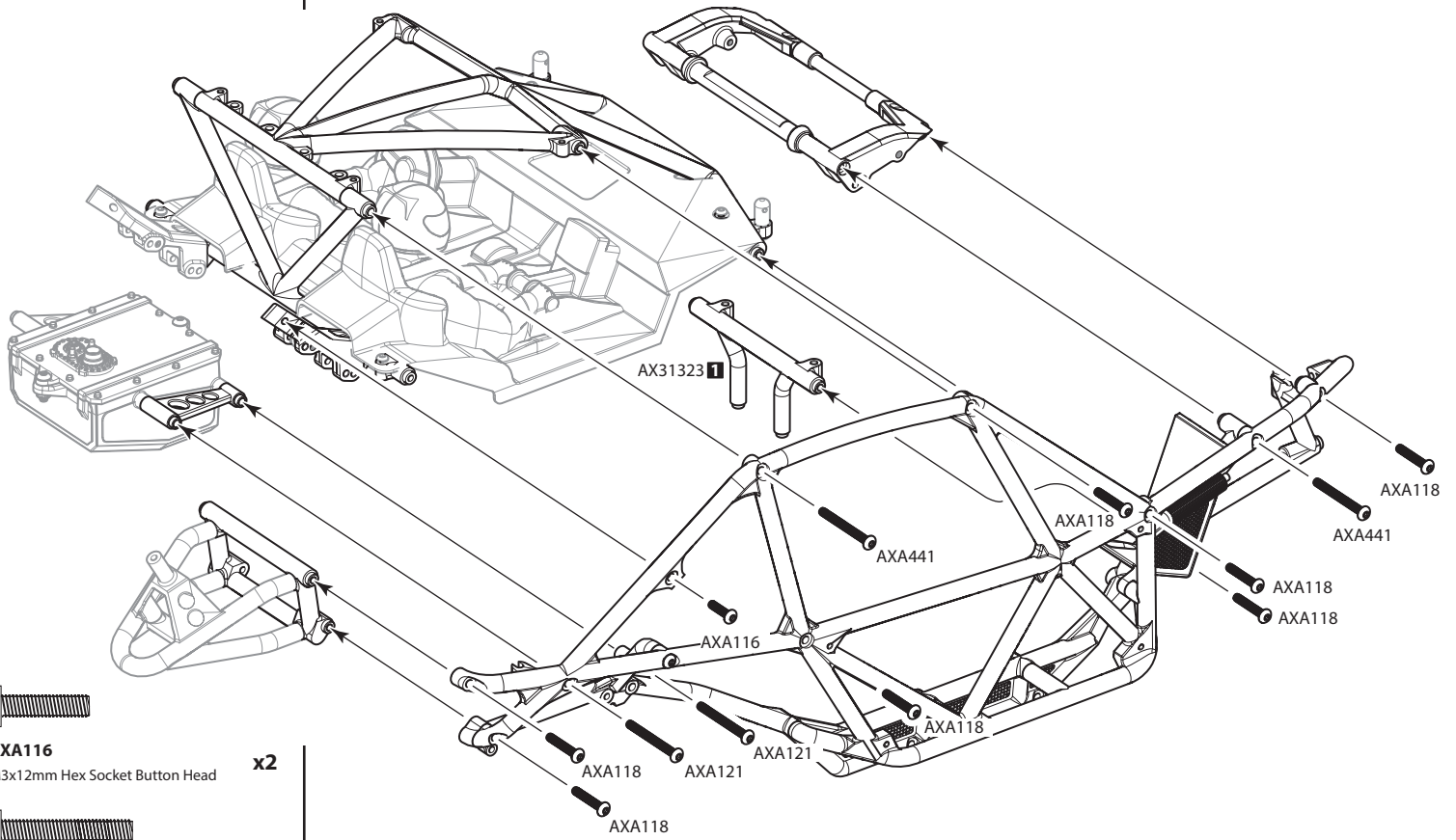
**AXA146**  
M3x12mm Hex Socket Flat Head **x2**



**AXA1053**  
M3 Nylon Locking Hex Nut (BLACK) **x1**



44



**AXA116**  
M3x12mm Hex Socket Button Head

x2



**AXA118**  
M3x18mm Hex Socket Button Head

x14



**AXA121**  
M3x30mm Hex Socket Button Head

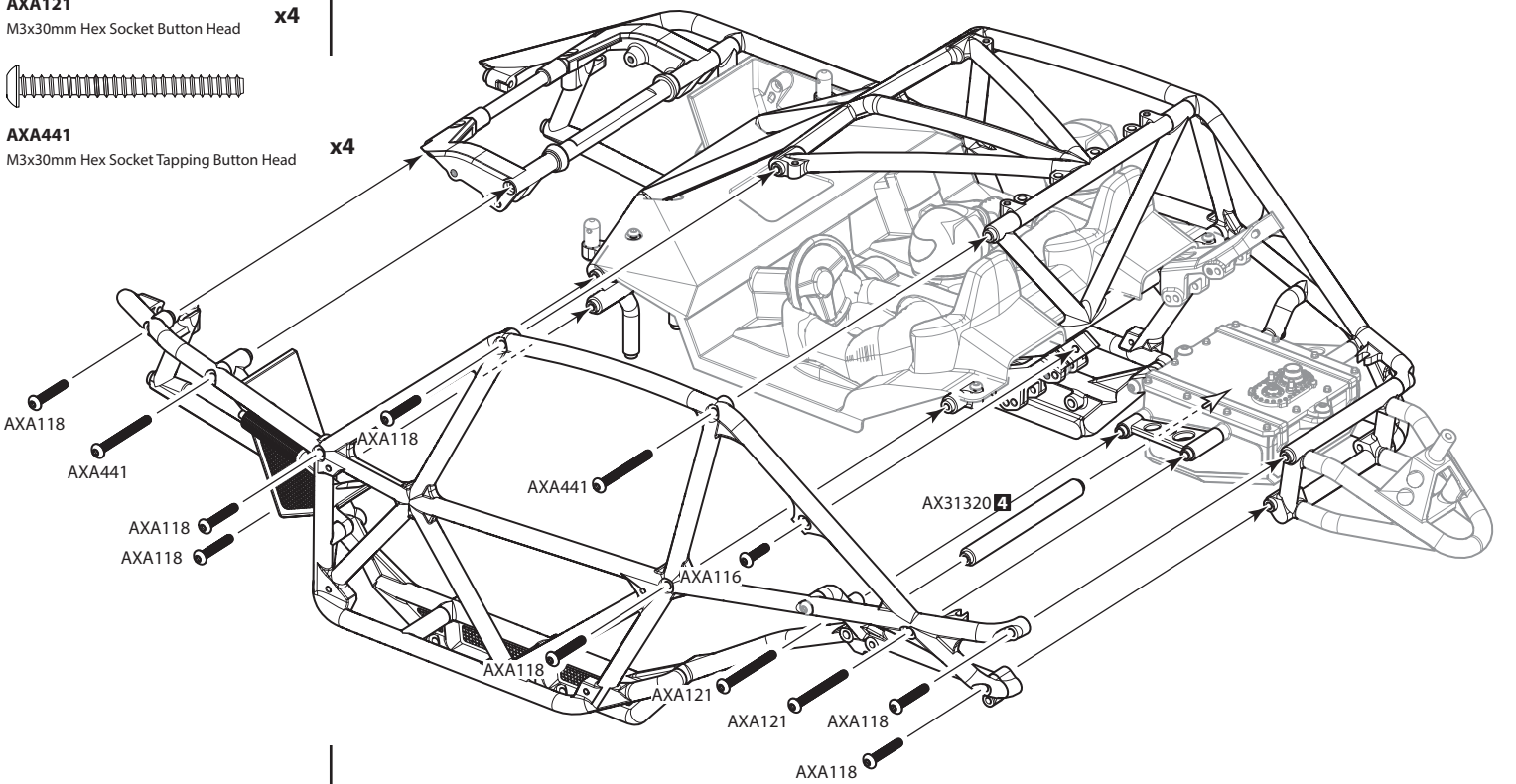
x4



**AXA441**  
M3x30mm Hex Socket Tapping Button Head

x4

45



AXA118

AXA441

AXA118

AXA118

AXA441

AX31320

AXA116

AXA118

AXA121

AXA121

AXA118

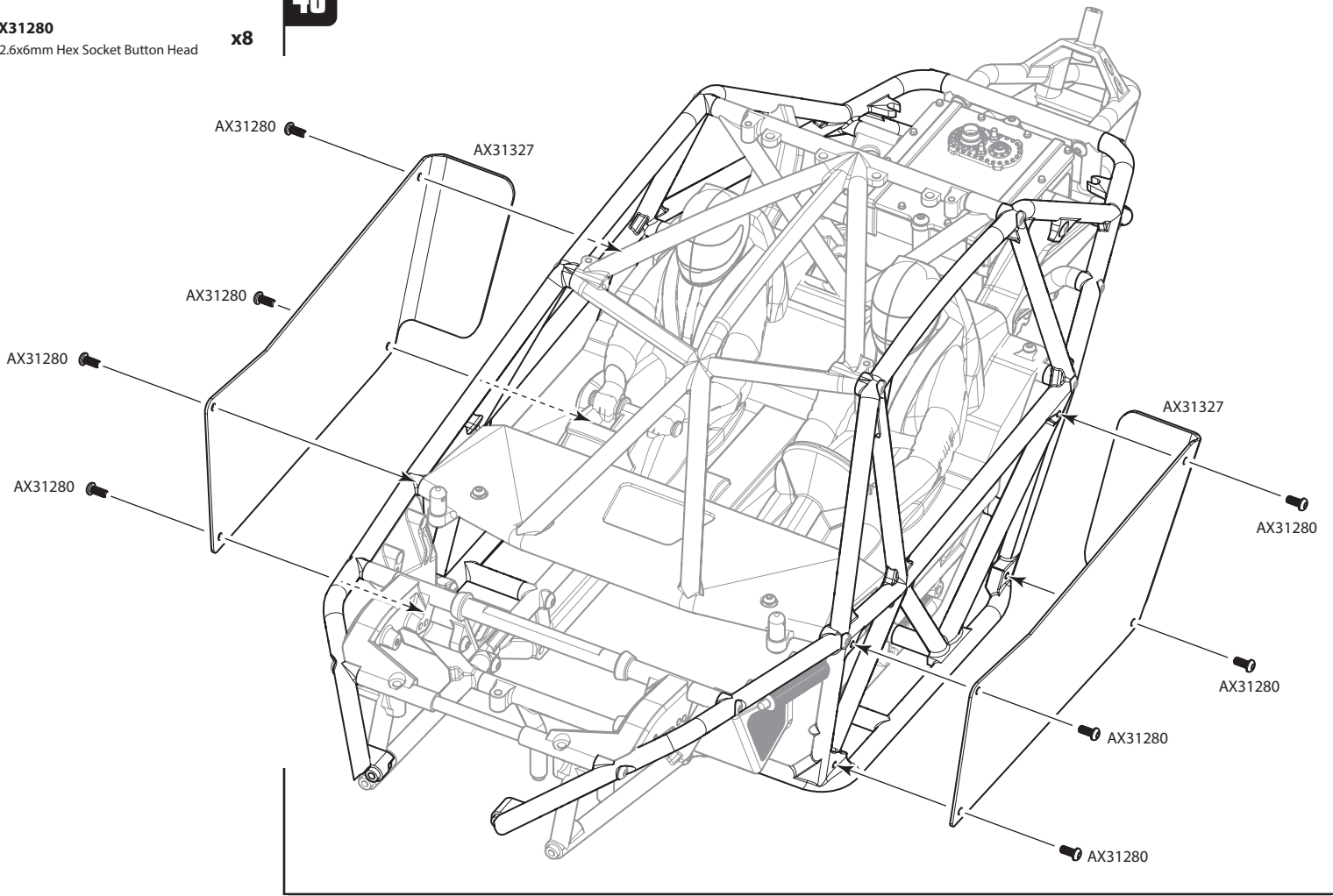
AXA118



**AX31280**  
M2.6x6mm Hex Socket Button Head

**x8**

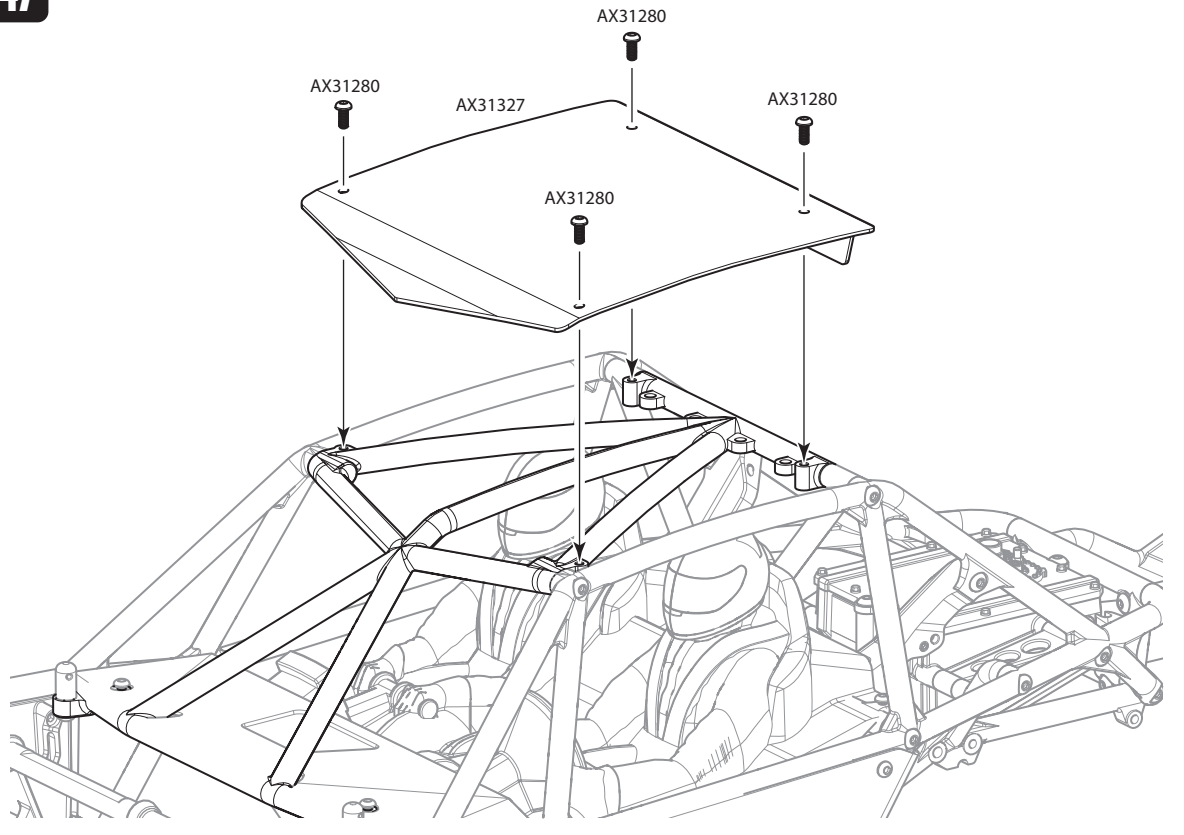
**46**



**AX31280**  
M2.6x6mm Hex Socket Button Head

**x4**

**47**





**AXA116**  
M3x12mm Hex Socket Button Head

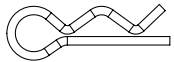
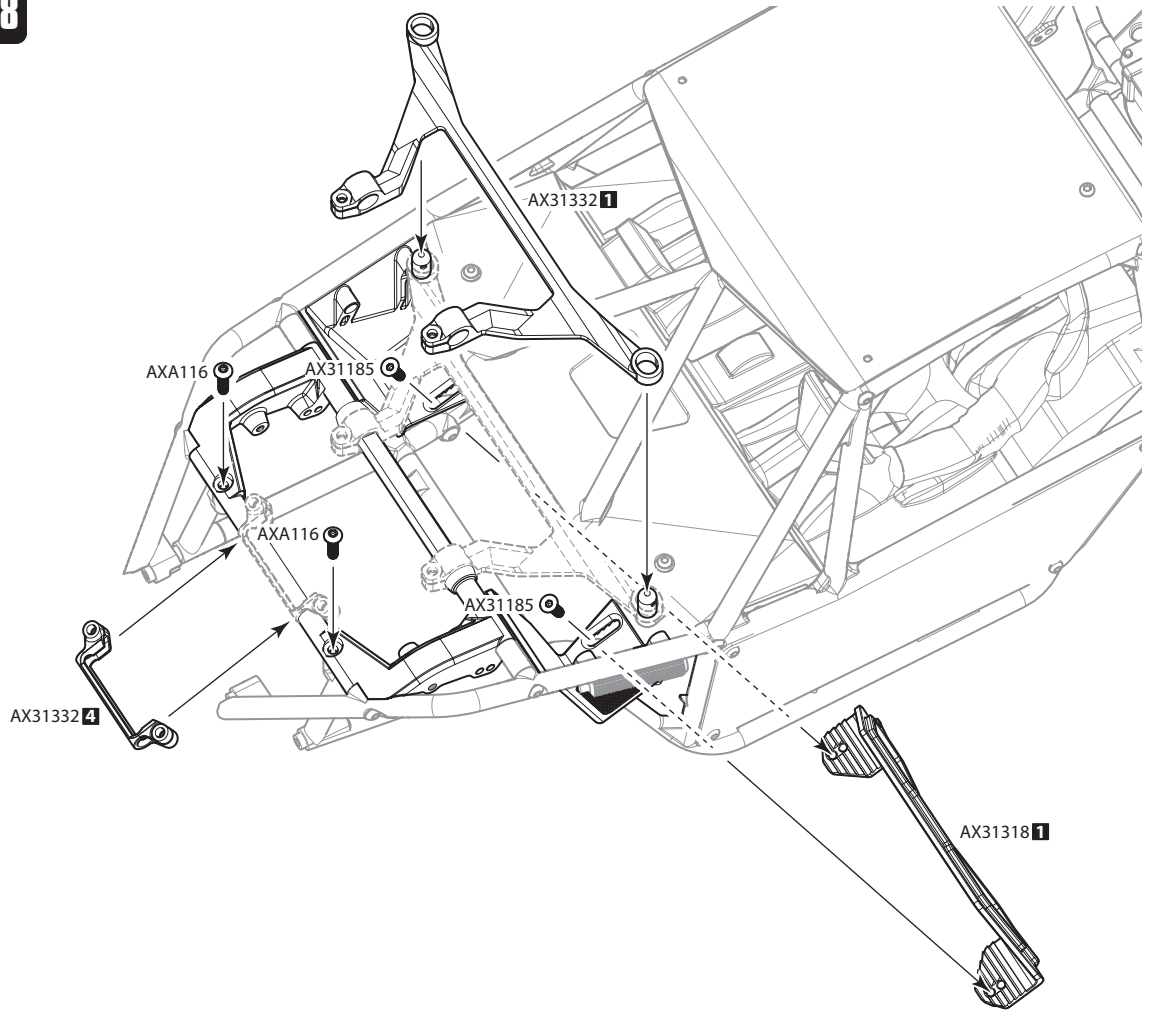
x2



**AX31185**  
M3x10mm Hex Socket Flat Head

x2

**48**



**AXA1059**  
6mm Body Clip

x2



**AXA114**  
M3x8mm Hex Socket Button Head

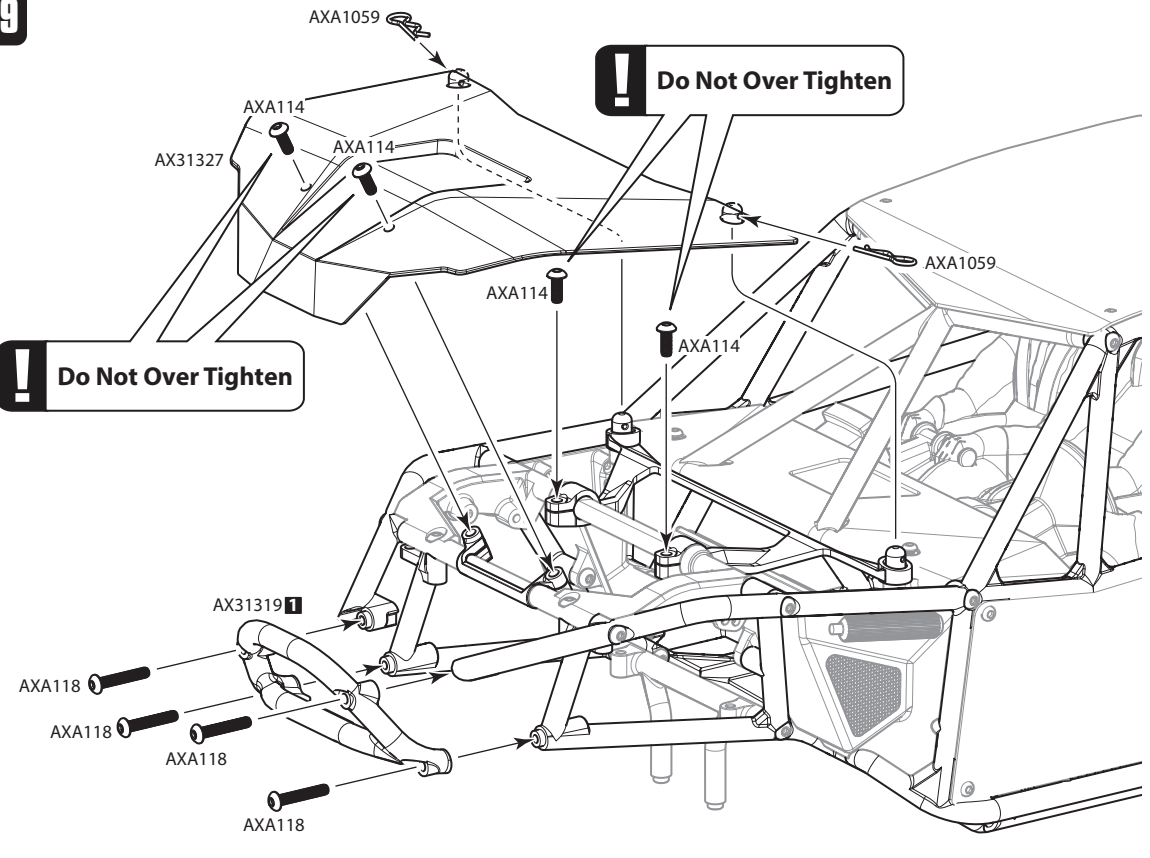
x4



**AXA118**  
M3x18mm Hex Socket Button Head

x4

**49**



# F

## Open Bag F

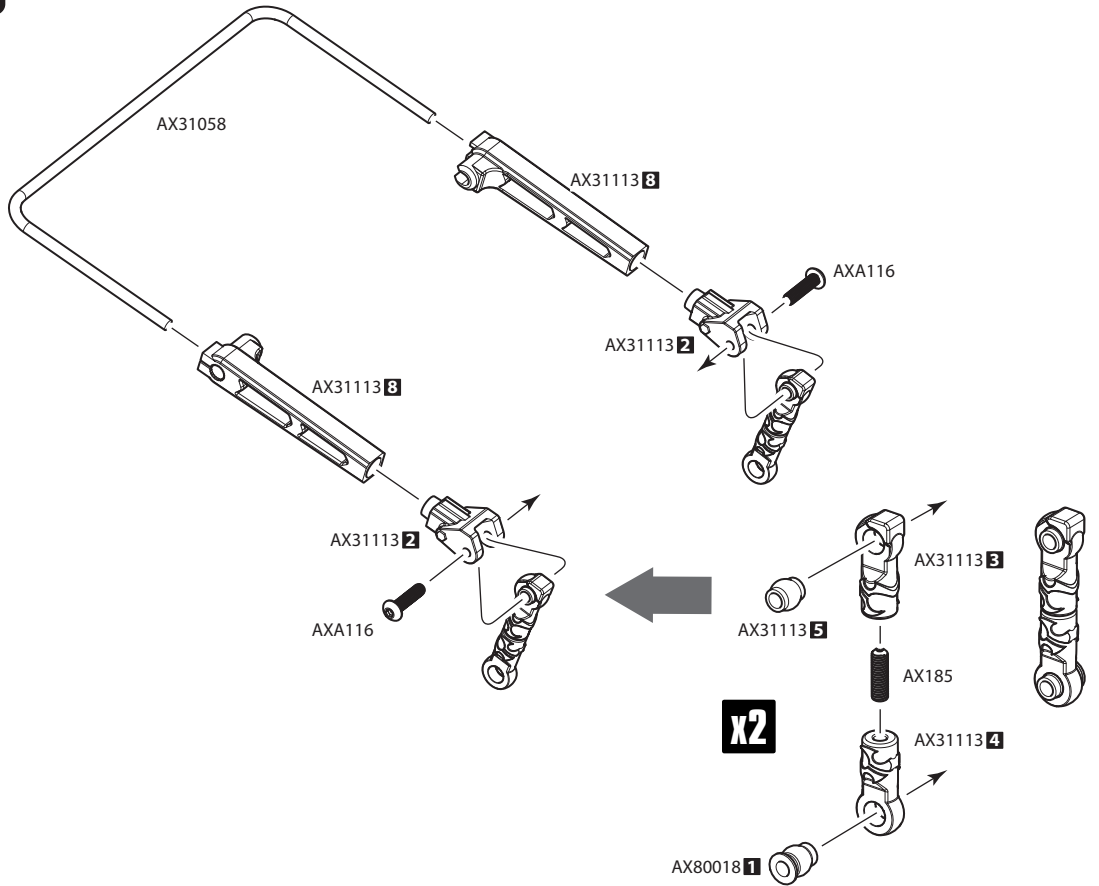
50



**AXA116**  
M3x12mm Hex Socket Button Head **x2**



**AXA185**  
Set Screw M3x10mm **x2**



**AXA116**  
M3x12mm Hex Socket Button Head **x2**

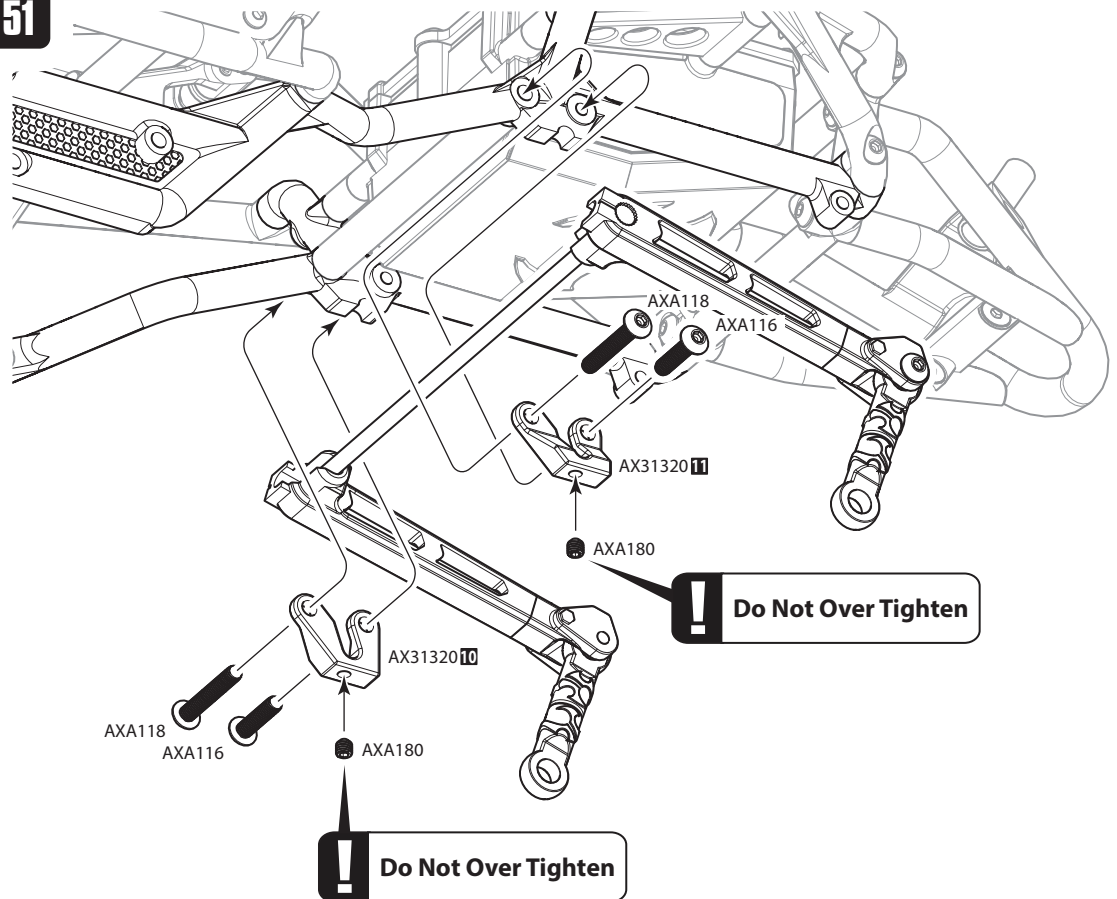


**AXA118**  
M3x18mm Hex Socket Button Head **x2**



**AXA180**  
M3x3mm **x2**

51



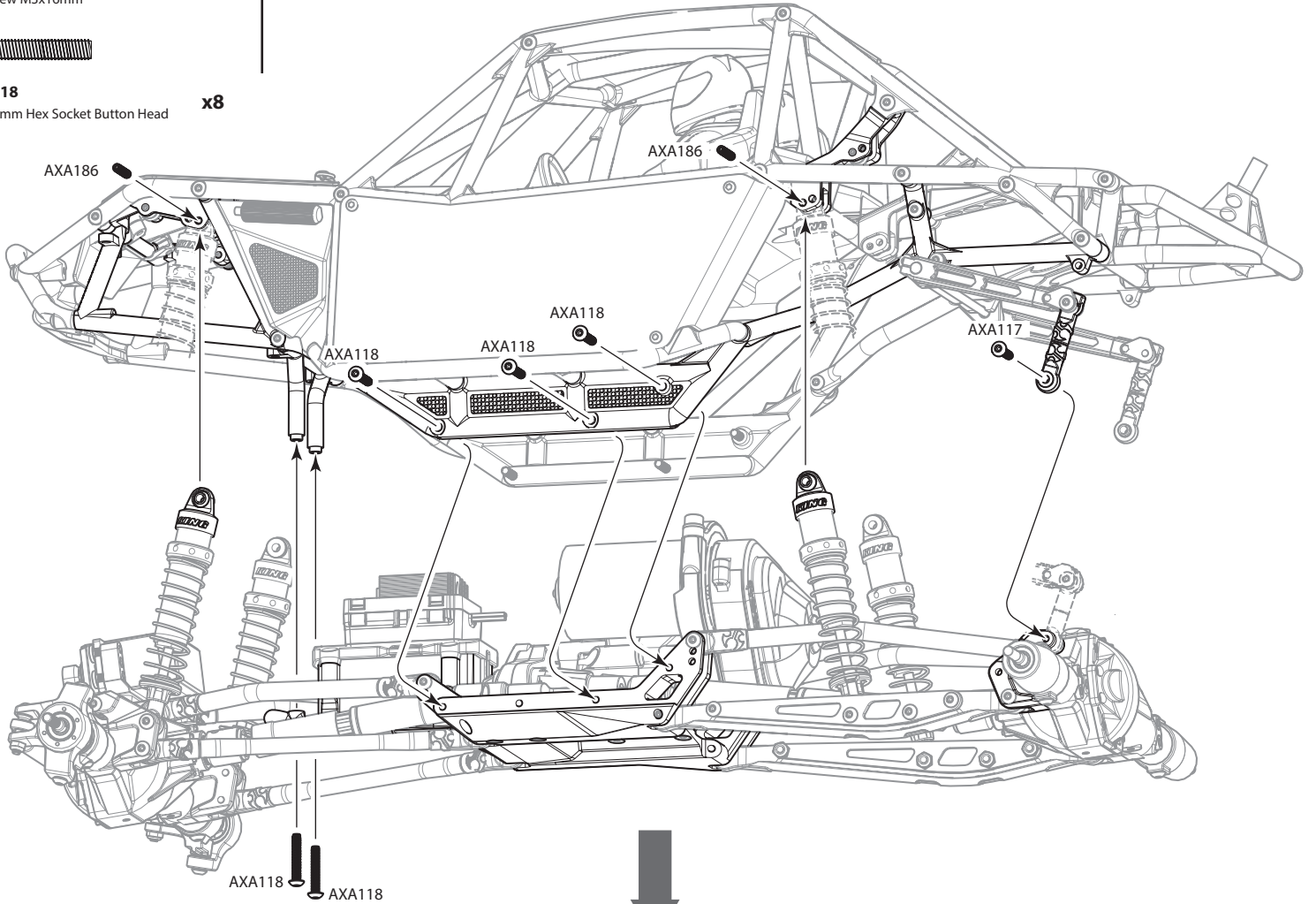




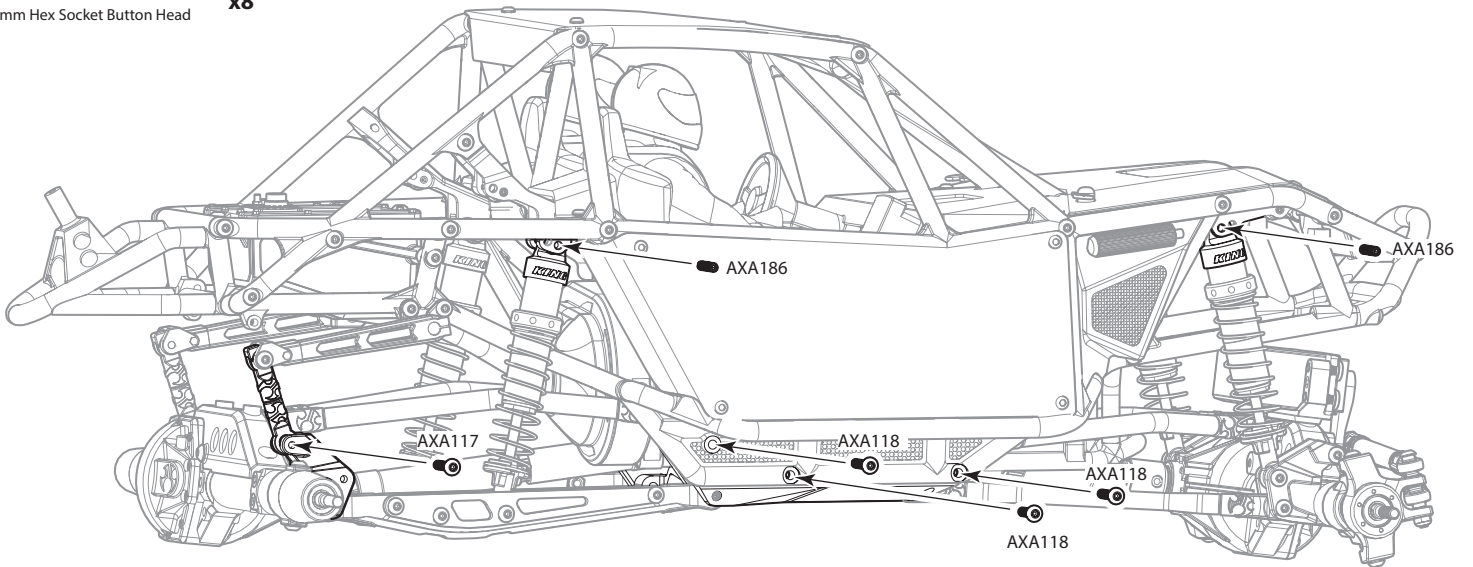
**AXA186**  
Set Screw M3x16mm **x4**



**AXA118**  
M3x18mm Hex Socket Button Head **x8**

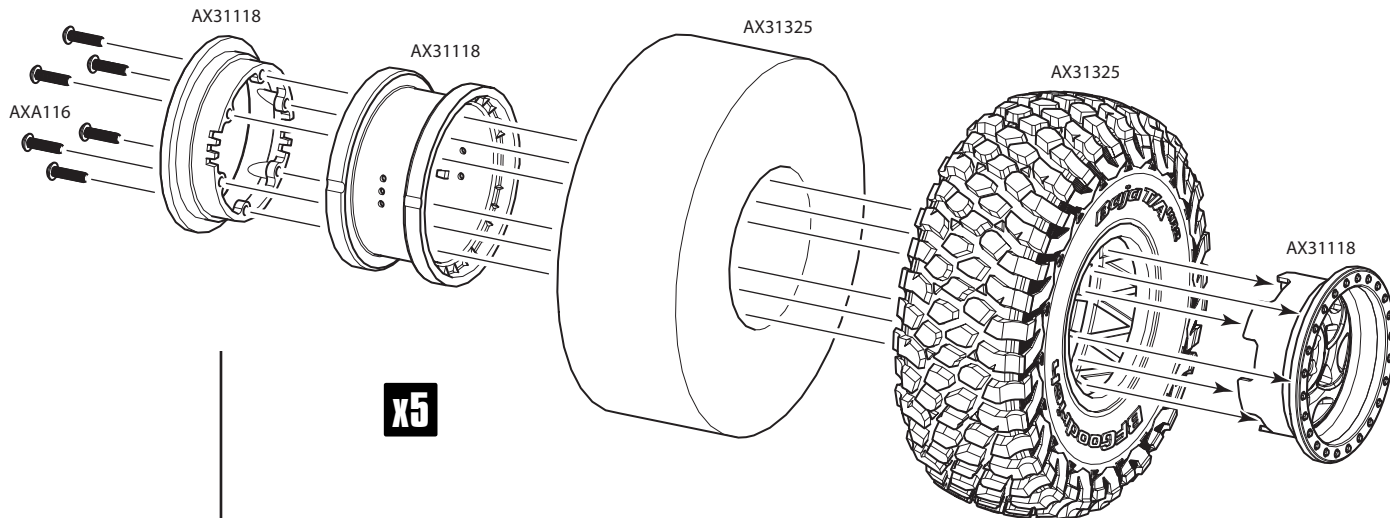


**AXA117**  
M3x15mm Hex Socket Button Head **x8**

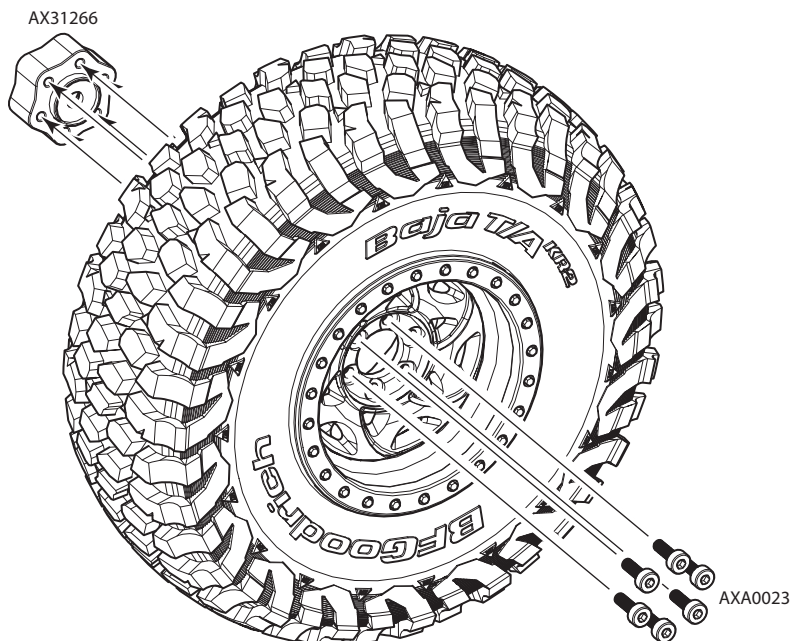


**G****Open Bag G****53****AXA116**

M3x12mm Hex Socket Button Head

**x30****x5****AXA0023**

M2.6x8mm Cap Head

**x24****54****x5**

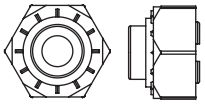
AXA0023

**! Do Not Over Tighten**



**AXA150**  
M3x25mm Hex Socket Flat Head

x1



**AX30429**  
12mm Aluminum Hub

x4



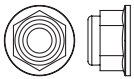
**AXA180**  
M3x3mm

x4



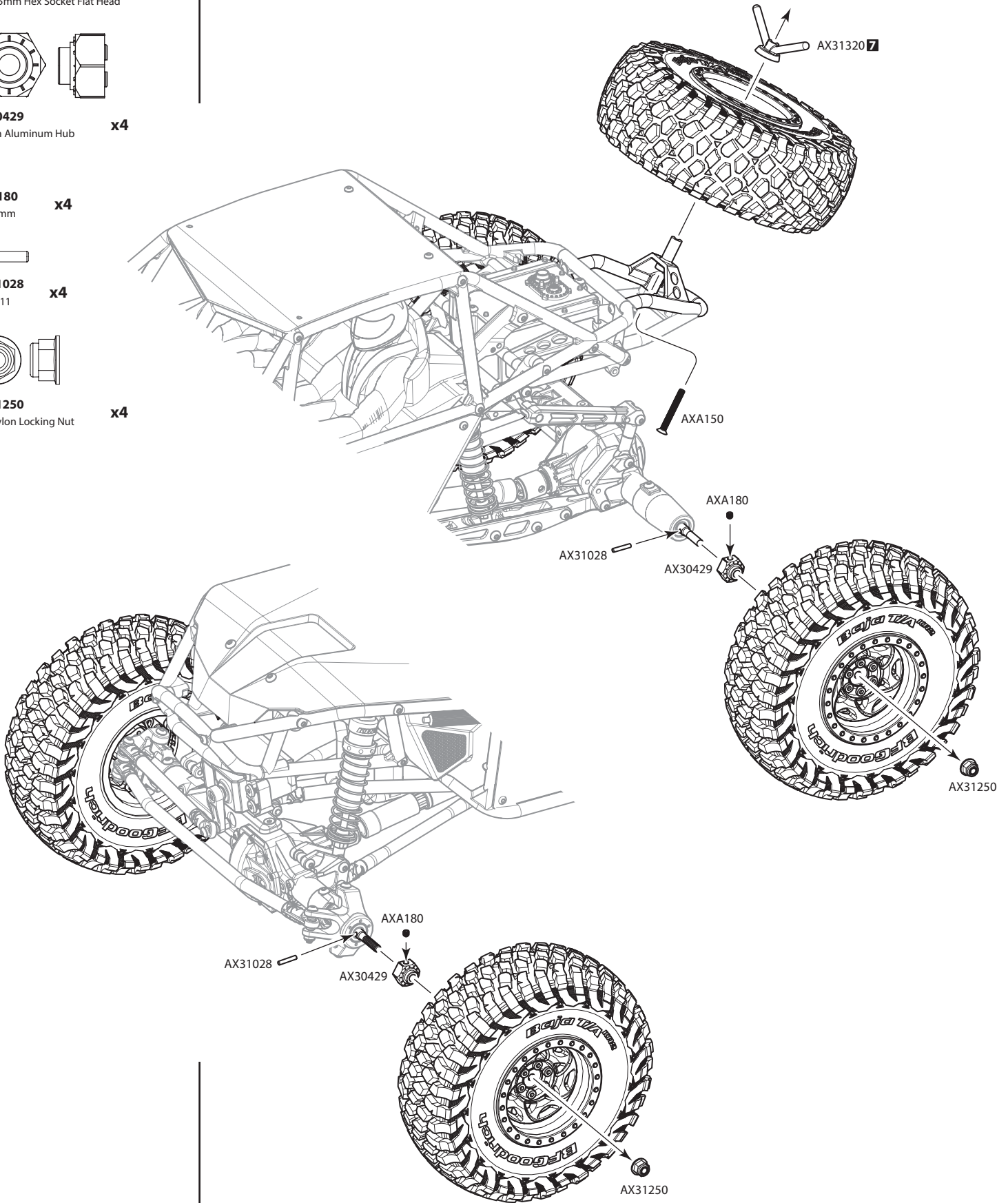
**AX31028**  
Pin 2x11

x4



**AX31250**  
M4 Nylon Locking Nut

x4













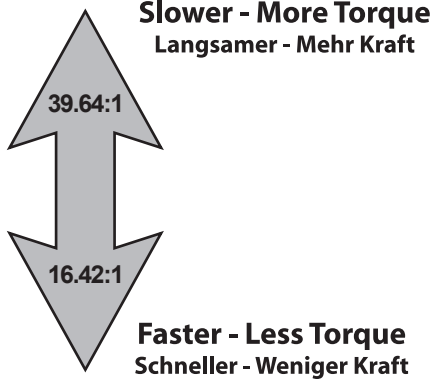


# Gear Ratio / Getriebeübersetzung

Use this equation to calculate the final drive ratio.  
**Final Drive Gear Ratio = (Spur/Pinion)x5.67**

Mit dieser Gleichung können Sie die Gesamtübersetzung berechnen.

**Gesamtübersetzung = (Spur/Pinion)x5.67**



## 32 Pitch 38T/13T (Stock Gearing AX30392 or HD AX30395)

Pinion	Spur Gear			
	56	60	64	68
11	28.85	30.91	32.97	35.03
12	26.44	28.33	30.22	32.11
13	24.41	26.15	27.90	29.64
14	22.67	24.88	25.90	27.52
15	21.15	22.67	24.18	25.69
16	19.83	21.25	22.67	24.08
17	18.67	20.00	21.33	22.67

## 32 Pitch 36T/14T (Overdrive HD Gearing AX30401)

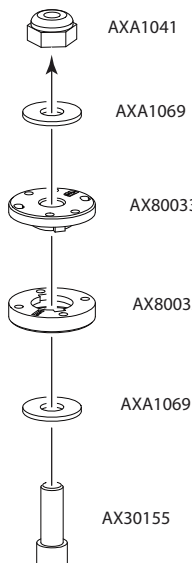
Pinion	Spur Gear			
	56	60	64	68
11	25.38	27.19	29.00	30.81
12	23.26	24.92	26.58	28.25
13	21.47	23.01	24.54	26.07
14	19.94	21.36	21.94	22.60
15	19.61	19.94	21.27	22.60
16	17.45	18.69	19.94	21.18
17	16.42	17.59	18.77	19.94

## 32 Pitch 43T/13T (Underdrive HD Gearing AX30402)

Pinion	Spur Gear			
	56	60	64	68
11	32.64	34.97	37.31	39.64
12	29.92	32.06	34.20	36.33
13	27.62	29.59	31.57	33.54
14	25.65	27.48	29.31	31.14
15	23.94	25.65	27.36	29.07
16	22.44	24.04	25.65	27.25
17	21.12	22.63	24.14	25.65

# Shock Tuning / Stossdämpferabstimmung

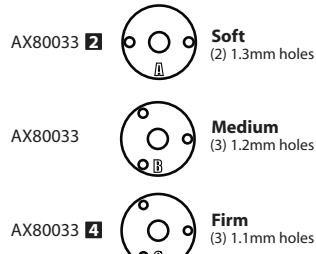
## Installation



## Pistons

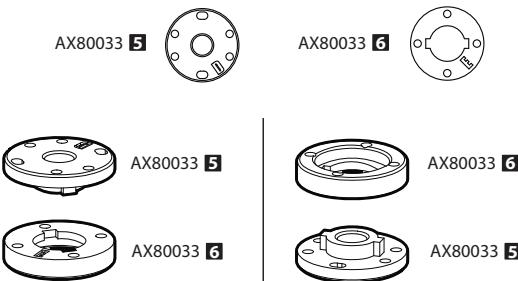
### Standard Pistons

Provides the same dampening rate on both compression and extension



### Variable Rate Pistons

Provides a different dampening rate depending on which direction you install.



Install this direction for faster rebound and slower compression

Install this direction for Slower rebound and faster compression

## Springs/Oil



### Springs

Depending on the application you may want a firmer spring than what is included. Selecting a spring rate is based on each vehicles weight and handling and usually will require some trial and error.

For rock crawling applications it is recommended to use a stiffer spring on which ever corner is exhibiting torque twist.

### Oil

Oils are another element you can use to tune the handling of your vehicle. You want an oil that allows the vehicle to handle the terrain well, but not too thin as to exhibit a springy bounce while driving.

We recommend starting with a good 30 wt. silicone oil. If you are looking for a faster rebound/compression rate use a lower weight oil. If you are looking for a slower rebound compression rate use a higher weight oil.

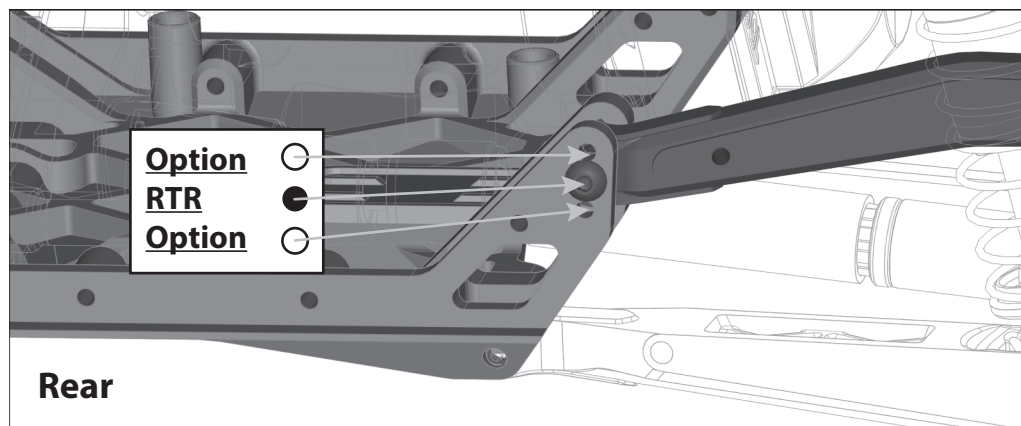
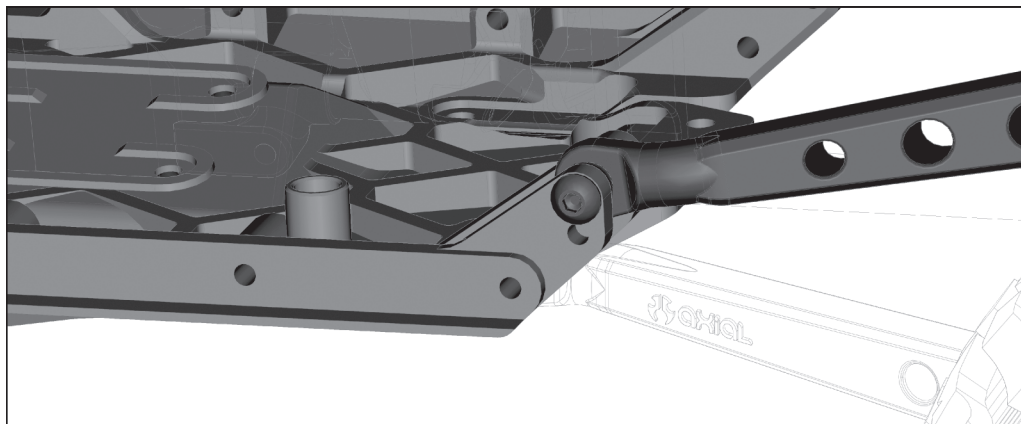


## Suspension Tuning - Upper Link Adjustments

- Moving the upper links at the chassis will change the anti-squat characteristics of the vehicle under power.

- RTR Stock: Front upper hole, rear middle hole.

- Optional holes, will create more or less Anti-Squat for the rear traction under power.

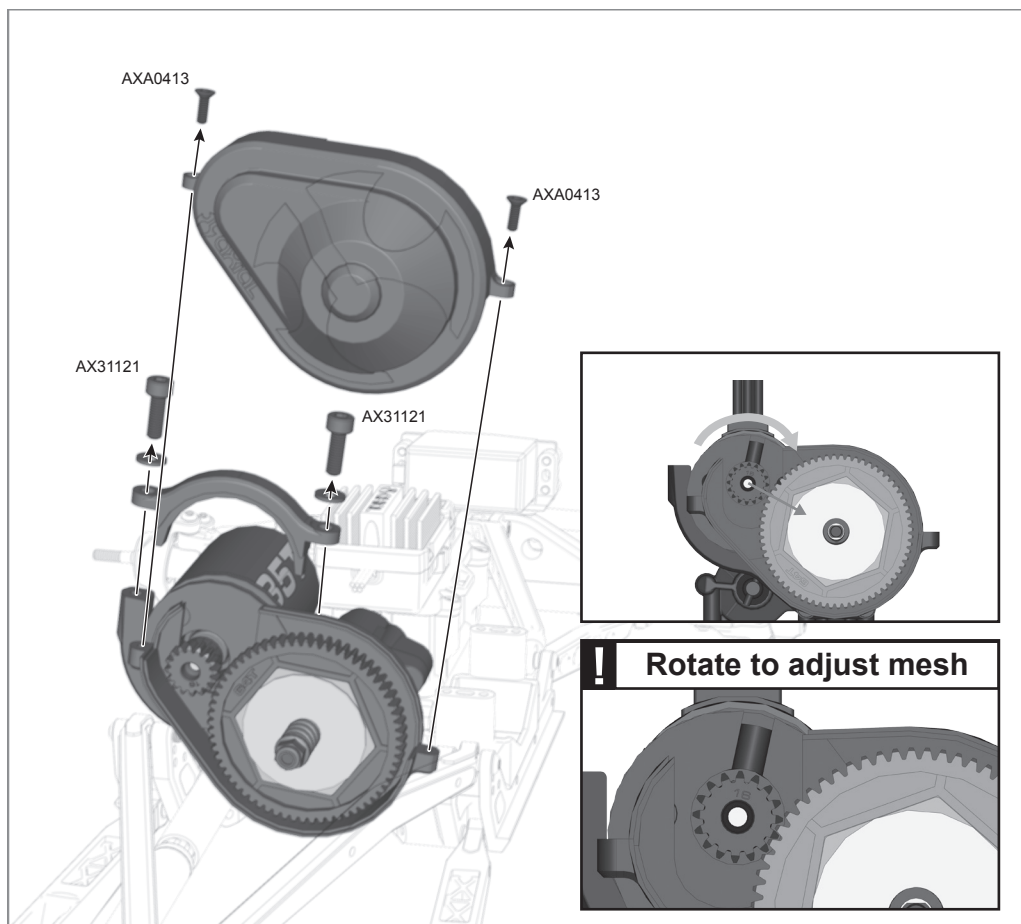


## Gear Mesh Adjustment

- Remove X2 M2.6x8mm AXA0413 Flatheads from AX31107 Spur Cover to gain access to spur and pinion

- Loosen X2 M4x12mm AX31121 Capheads from AX31106 Motor Mount Clamp

- Rotate the motor and motor mount assembly to fine tune gear mesh



## Parts List

Part #	Description	Part #	Description
AX30112	Shock Diaphragm 13x4.5mm (6pcs)	AX80062	XR10 C Hub Carrier Set
AX30113	Rubber Bump Stop 3.6x7x4 (6pcs)	AX80069	AR60 OCP Axle Housing
AX30155	Shock Shaft 3x59.5 (2pcs)	AX80071	AR60 OCP Straight Axle Adapter
AX30163	Pin 2.0x10mm (6pcs.)	AX80072	AR60 OCP 4-Link Mount
AX30385	Diff Gasket 16x25x0.5mm (2pcs)	AXA0023	M2.6x8mm Cap Head (Black) (10pcs)
AX30395	Heavy Duty Bevel Gear Set - 38T/13T	AXA0109	M3x10mm Oversized Flat Hex Socket (Black) (10pcs)
AX30413	Slipper spring 8.5x12 165 lbs/in - Black (2pcs)	AXA0113	M3x6mm Hex Socket Button Head (Black) (10pcs)
AX30429	12mm Aluminum Hub (Black) (4pcs)	AXA0147	M3x16mm Hex Socket Flat Head (Black) (10pcs)
AX30438	Machined Shock Piston 10mm - 1.2x2 (4pcs)	AXA015	M2x10mm Cap Head (Black) (10pcs)
AX30450	Flange Pipe 3x4.5x5.5 (4pcs)	AXA0187	M3x20mm Set Screw (Black) (10pcs)
AX30463	WB8 Universal Joint Rebuild Kit (2pcs)	AXA0286	Screw Shaft M4x2.5x12mm (6pcs)
AX30500	Heavy Duty Locker (2pcs)	AXA0413	M2.6x8mm Hex Socket Tapping Flat Head (Black) (10pcs)
AX30723	Pinion Gear 32P 12T (3mm shaft)	AXA087	M3x16mm Cap Head (Black) (10pcs)
AX30776	AR60 OCP Rear Axle Set (2pcs)	AXA091	M3x30mm Cap Head - Black (10pcs)
AX30780	AR60 OCP Universal Axle Set	AXA1041	M2.5 Nylon Locking Hex Nut - Silver (10pcs)
AX31028	Pin 2.0x11mm (6pcs)	AXA1045	M4 Nylon Lock Nut (Black) (10pcs)
AX31049	Helmet Set (Black)	AXA1052	M3 Thin Nylon Locking Hex Nut (Black)
AX31058	Yeti™ Rear Sway Bar (3pcs) (Soft, Medium, Firm)	AXA1053	M3 Nylon Locking Hex Nut (Black) (10pcs)
AX31059	Slipper Plate Washer 33x1mm (2pcs)	AXA1059	6mm Body clip (Black) (10pcs)
AX31065	Spur Gear 32P 64T	AXA1069	Washer 2.7x6.7x0.5 (10pcs)
AX31067	Slipper Plate (2pcs)	AXA1070	Washer 3x6x0.5 (10pcs)
AX31068	Slipper Pad 32.8x15.2x1mm (2pcs)	AXA1071	Washer 4x8x0.5mm (10pcs)
AX31083	Radio Box Seals	AXA114	M3x8mm Hex Socket Button Head (Black) (10pcs)
AX31106	2-Speed Hi/Lo Transmission Motor Mount	AXA115	M3x10mm Hex Socket Button Head (Black) (10pcs)
AX31107	2-Speed Hi/Lo Transmission Spur Gear Cover	AXA116	M3x12mm Hex Socket Button Head - Black (10pcs)
AX31108	2-Speed Hi/Lo Transmission Case	AXA117	M3x15mm Hex Socket Button Head (Black) (10pcs)
AX31109	Yeti™ Rear 4 Link Set	AXA118	M3x18mm Hex Socket Button Head - Black (10pcs)
AX31113	Yeti™ Rear Sway Bar Mount Set	AXA1184	O-Ring 7.5x1.5mm (S8) - (10pcs)
AX31114	WB8-HD Driveshaft	AXA1188	Axial O-Ring 12x1.5mm (S12.5)
AX31118	2.2 Walker Evans Wheels - IFD™ Wheels - Black(2pcs)	AXA119	M3x20mm Hex Socket Button Head (Black) (10pcs)
AX31121	M4x12mm Cap Head (Black) (10pcs)	AXA120	M3x25mm Hex Socket Button Head (Black) (10pcs)
AX31125	Yeti™ Fuel Cell	AXA1202	O-Ring 3.5x2mm (10pcs)
AX31127	2-Speed Hi/Lo Transmission Top Shaft (5x91mm)	AXA121	M3x30mm Hex Socket Button Head (Black) (10pcs)
AX31129	2-Speed Hi/Lo Transmission Bottom Shaft (5x75mm)	AXA1221	Bearing 5x11x4mm (2pcs)
AX31130	High Speed Transmission Gear Set (48P 26T, 48P 28T)	AXA1230	Bearing 10x15x4mm
AX31131	T-Case Gear Set (32P 15T, 32P 15T, 32P 27T)	AXA1391	E4 e-clip (10pcs)
AX31148	WB8-HD Driveshaft Coupler Set	AXA144	M3x8mm Hex Socket Flat Head (Black) (10pcs)
AX31185	M3x10mm Hex Socket Flat Head (Black) (10pcs)	AXA146	M3x12mm Hex Socket Flat Head - Black (10pcs)
AX31186	M4 Rod End Set	AXA148	M3x18mm Hex Socket Flat Head (Black) (10pcs)
AX31245	Lower Link Plate Set (Aluminum) (4pcs)	AXA150	M3x25mm Hex Socket Flat Head (Black) (10pcs)
AX31250	M4 Serrated Nylon Lock Nut (Black) (10pcs)	AXA180	M3x3mm Set Screw (Black) (10pcs)
AX31266	IFD™ Hex Hub Adapter (2pcs Narrow, 2pcs Wide)	AXA185	M3x10mm Set Screw (Black) (10pcs)
AX31280	M2.6x6mm Hex Socket Button Head (Black) (10pcs)	AXA186	M3x16mm Set Screw (Black) (10pcs)
AX31300	10mm Shock Parts Tree 2 (Blue)	AXA291	M4x4mm Set Screw (Black) (6pcs.)
AX31301	10mm Shock Caps Parts Tree (Blue)	AXA441	M3x30mm Hex Socket Tapping Button Head (Black) (10pcs)
AX31313	Transfer Case Output Shaft (5x69mm)		
AX31314	Aluminum Shock Body 12x47.5mm (Clear Anodized) (2pcs)		
AX31315	Spring 14x70mm 1.43 lbs/in - Purple (2pcs) (Blue Springs)		
AX31316	AR60 Double Shear Steering Knuckle Set		
AX31317	RR10 AR60 Axle Component Set		
AX31318	RR10 Battery Tray Chassis Components		
AX31319	RR10 Center Cage		
AX31320	RR10 Rear Cage Components		
AX31321	RR10 Cage Lower Rails		
AX31322	RR10 Cage Sides (Left and Right)		
AX31323	RR10 Electronics Box		
AX31324	RR10 Transfer Case		
AX31325	2.2 BFGoodrich Baja T/A KR2 Tires - R35 Compound (2pcs)		
AX31327	RR10 Bomber Body - .040" (Clear)		
AX31328	AR60 Steering Kit		
AX31332	RR10 Battery Tray Chassis Components 2		
AX31333	RR10 Skid Plate		
AX31336	Spring 14x70mm 3.27 lbs/in - Yellow (2pcs) (Blue Springs)		
AX31340	RR10 Aluminum Links Set		
AX31341	Threaded Aluminum Link 7x87.5mm - Hard Anodized (2pcs)		
AX31343	M4x20mm Set Screw (Black) (10pcs)		
AX31430	King Shocks Aluminum Caps and Collars Set - 12mm (Blue) (4pcs)		
AX80002	Diff Case -Small		
AX80006	Servo Set		
AX80018	Hardware Parts Tree		
AX80033	10mm Shock Parts Tree 1	AX31069	Metal Spur Gear 32P 68T

## Option Parts

Part #	Description	Part #	Description
AX31077	2.2 Falken Wildpeak M/T - R35 Compound (2pcs)	AXA1331	Flanged Ball 3x5.8x7mm (6pcs)
AX31097	3 Port High Output LED Controller	AXA1412	0.5x6mm Spacer - Grey (6pcs)
AX31098	8 LED Light String (White LED)	AXA1413	1x6mm Spacer - Grey (6pcs)
AX31118	2.2 Walker Evans Wheels - IFD™ Wheels - Black(2pcs)	AXA1414	2x6mm Spacer - Grey (6pcs)
AX31136	Icon 87-125mm Aluminum Shock Set - 10mm Piston (2pcs)	AXA1415	3x6mm Spacer - Grey (6pcs)
AX31144	AE-5 Waterproof Forward/Reverse ESC w/ Drag Brake	AXA1416	4x6mm Spacer - Grey (6pcs)
AX31152	Universal Rigid Light Bar Set	AXA1417	5x6mm Spacer - Grey (6pcs)
AX31156	Machined Adjustable Motor Mount (Hard Anodized)	AXA1418	6x6mm Spacer - Grey (6pcs)
AX31160	Steel Spur Gear 32P 68T	AXA1419	7x10mm Post - Grey (2pcs)
AX31161	Steel Spur Gear 32P 64T	AXA1420	7x15mm Post - Grey (2pcs)
AX31162	Steel Spur Gear 32P 60T	AXA1421	7x20mm Post - Grey (2pcs)
AX31163	Steel Spur Gear 32P 56T	AXA1422	7x25mm Post - Grey (2pcs)
AX31164	Machined Slipper Plate (Hard Anodized) (2pcs)	AXA1423	7x30mm Post - Grey (2pcs)
AX31171	Icon 72-103mm Aluminum Shock Set - 10mm Piston (2pcs)	AXA1424	7x35mm Post - Grey (2pcs)
AX31172	Icon 67-90mm Aluminum Shock Set - 10mm Piston (2pcs)	AXA1425	7x40mm Post - Grey (2pcs)
AX31173	Icon 93-137mm Aluminum Shock Damper Set - 10mm Piston (2pcs)	AXA1426	7x45mm Post - Grey (2pcs)
AX31178	2.2 Method Beadlock Wheels - IFD™ Wheels - Black(2pcs)	AXA1427	7x50mm Post - Grey (2pcs)
AX31181	Yeti Transmission 2-Speed Hi/Lo Components	AXA1428	7x55mm Post - Grey (2pcs)
AX31184	Hi/Lo Transmission Gear Set	AXA1429	7x60mm Post - Grey (2pcs)
AX31188	Icon Aluminum Shock Body 12x47.5mm (2pcs)	AXA1430	7x65mm Post - Grey (2pcs)
AX31191	Icon Shock Cap (12mm) (2pcs)	AXA1431	7x70mm Post - Grey (2pcs)
AX31244	Upper Link Plate Set (Aluminum) (4pcs)		
AX31245	Lower Link Plate Set (Aluminum) (4pcs)		
AX31250	M4 Serrated Nylon Lock Nut (Black) (10pcs)		
AX31329	35T Trail Breaker Electric Motor (Rebuildable)		
AX31330	55T Trail Breaker Electric Motor (Rebuildable)		
AX31331	RR10 Rear Sway Bar Set (Soft)		
AX80045	Axial Light Bucket Set (Black)		
AX80047	Interior Details Parts Tree - Chrome		
AX80049	Axial LED Lens Set - Yellow/Clear (4pcs)		
AX80085	Universal Mount 5 Bucket Light Bar (Black)		
AX80086	Light Bar Lenses (Clear) (5pcs)		
AX80131	Helmet Set		
AX8091	Axial 2.2 Rockster Beadlocks (Black)		
AX8092	Axial 2.2 Rockster Beadlocks (Chrome)		
AX8095	Axial 2.2 Rockster Beadlocks (Black Chrome)		
AX8097	2.2 8 Hole Beadlocks (Black)		
AX8112	2.2 Beadlock Ring - Grey (2pcs)		
AX8117	2.2 Rock Beadlock Ring - Grey (2pcs)		
AXA1076	Cap Head Washer M3x10mm (4pcs)		
AXA1101	Cone Washer 3x6.9x2mm (6pcs)		
AXA1104	Cone Washer 3x6.9x2mm - Orange (6pcs)		
AXA1105	Cone Washer 3x6.9x2mm - Grey (6pcs)		

## Warranty Info

### AXIAL LIMITED WARRANTY

Your Axial product is warranted to be free of defects in materials and workmanship when new in the factory sealed box. This warranty does not cover damages due to normal wear and tear, users' failure to perform routine maintenance, error of assembly or installation, modifications or addition of aftermarket parts or option parts. This warranty lasts as long as the original purchaser owns the product and is not transferable (verified by dated itemized sales receipt accompanied with product). In the event of a defect under this warranty, Axial will, at our discretion, repair or replace the product, provided our inspection indicates that an original defect exists. Axial provides a 10-day warranty from the date of purchase on electronics (i.e. servo, esc, radio). Axial reserves the right to replace any product which is no longer available with a product of comparable value and function. If Axial determines the repair is not covered under warranty guidelines, there could be a charge applied for the repair and return shipping charges. Note: Purchasing products from unauthorized distributors may void warranty and prevent support and service.

### INTERNATIONAL CUSTOMER WARRANTY

Please return product to the dealer where the purchase was made. If your Axial product purchase was made through an on-line retailer, any warranty issues must be taken care of by that retailer. Axial assumes no responsibility for Axial products sold internationally by on-line retailers.

### REPAIR

For warranty repair, please contact Axial Customer Service at (877) 64-AXIAL (877-642-9425).

### HOURS AVAILABLE:

8:00 am - 5:00 pm Monday through Friday, Central Time.









# EXPLORE

[facebook.com/axialinc](https://facebook.com/axialinc) | [twitter.com/axialrc](https://twitter.com/axialrc) | [youtube.com/axialvideos](https://youtube.com/axialvideos) | [flickr.com/axialrc](https://flickr.com/axialrc)



BFGoodrich® Tires and Baja T/A® KR2 Trademarks are used under License from Michelin  
Odyssey Battery trademark(s) is/are the property of EnerSys and affiliates

AX90053-1001  
2803935