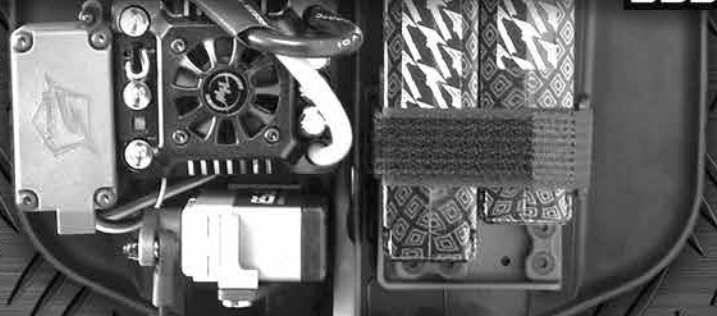




# S35-2E

*1/8 Off Road Brushless Power Pro Buggy*



**SWORKz S35-2E series  
INSTRUCTION MANUAL**



# **S35-2E**

*1/8 Off Road Brushless Power Pro Buggy*

## **INSTRUCTION**

The SWORKz S350 BE1 Pro was a good start to our 1/8th electric buggy range. Now based on the success of the S350 BE1 EVO, SWORKz further improved the buggy and created the S35-2E.

The S35-2E is the ultimate SWORKz 1/8th electric buggy at the moment. Its new rear suspension design and front ackerman steering system came directly from the 1/8th S350 EVO II Limited nitro buggy. A totally brand new center transmission system provides all round improvements to the S35-2E.

The S35-2E includes higher quality parts, many option parts and a refined shock system with optimized suspension geometry.

The SWORKz S35-2E Pro Kit comes standard with many SWORKz Factory Team Option Parts that gives strength, performance and value to the car.

SWORKz utilizes only the highest quality materials and industry leading manufacturing processes resulting in a faster, stronger, and more reliable vehicle. The S35-2E Pro Kit from SWORKz has been designed to out perform the competition while offering amazing performance to drivers of all levels.

Congratulations on your purchase of the new SWORKz S35-2E 1/8th scale off road racing electric power buggy pro kit.

Please read this manual thoroughly, before you attempt to start running your S35-2E. This manual contains step-by-step instructions to help you complete, prepare for startup, and fine-tune your Buggy. Updates, setups, and product news will be posted on our website ([www.sworkz.com](http://www.sworkz.com)) or SWORKz RC Face Book page.

As always, if you should ever have any questions or need help with your S35-2E, please feel free to contact our official SWORKz dealers and distributors, as they will be glad to help you. You may also contact us at any time for the most up to date information and support.

### **S350 EVO II Limited Kit Features:**

1. S35-2E 7076 B.H.C. ( Black Hard Coated) Aluminum Chassis.
2. S350 Series Competition Rear Lower Arm Set
3. S350 Series Competition Aluminum Rear Hub Carry
4. S350 Series Competition Steering Plate
5. S350 Series Competition Carbon Steering Knuckle Plates
6. S350T series Long BBS Pro Shock System Set
7. S350 Series Front Pro Shock Tower for Longer BBS shocks
8. S350 Series New Wheel Hub(L4.5mm)
9. S35 Competition Aluminum Rear Changeable Lower Arm Holder
10. New LDGS (Lightened Drive Gear System) gear system with 5x11 mm ball bearings.
11. Full Front and Rear LDS (Lightened Drive System) cross drive shaft system.
12. New Center Diff transmission drive shaft system.
13. Aluminum upper arm holder.
14. Aluminum front lower arm holder.



<b>Specification</b>	
<b>Length:</b>	<b>530mm</b>
<b>Width:</b>	<b>308mm</b>
<b>Height:</b>	<b>220mm</b>
<b>Ground Clearance:</b>	<b>65mm</b>
<b>Wheelbase:</b>	<b>325-330mm</b>
<b>Track:</b>	<b>F:306mm / R:306mm</b>
<b>Gear Ratio:</b>	<b>C:(45~47)/14T, F/R 43/13T</b>
<b>Weight:</b>	<b>3650g</b>

## **WARRANTY**

Your SWORKz S35-2E kit warranty covers workmanship and manufacturing defects of the original and unmodified parts. Warranty claims resulting from crashes, abuse, improper operation, improper mounting, improper adjustment or lack of maintenance will not be honored.

Contact your local hobby shop or SWORKz distributor for all claims and questions. Claims must be well documented. All Claims are subject to expert examination approval by SWORKz.



<b>INSTRUCTION</b>	<b>2</b>
<b>Warranty</b>	<b>3</b>
<b>Required Equipment for Operation</b>	<b>5</b>
<b>Operation Guide</b>	<b>6</b>
<b>Assembly Steps</b>	<b>7-33</b>
<b>Set-up Sheet</b>	<b>34</b>
<b>Blank Set-up Sheet</b>	<b>35</b>
<b>S35-2E Key No.List</b>	<b>36-37</b>
<b>S35-2E Spare Part List</b>	<b>38</b>
<b>S35-2E Option Part List</b>	<b>39</b>
<b>End cover</b>	<b>40</b>

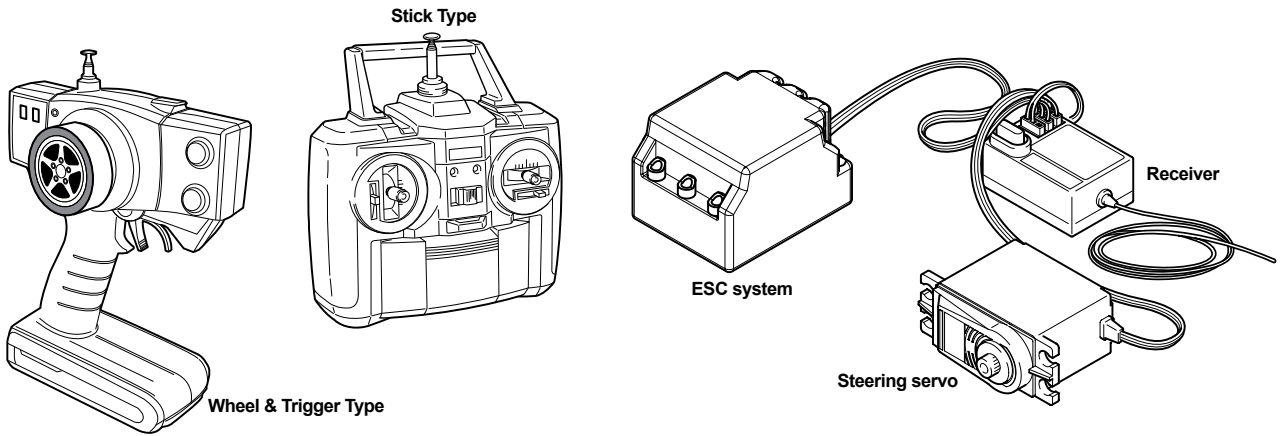


**This radio controlled racing car is not a toy!**

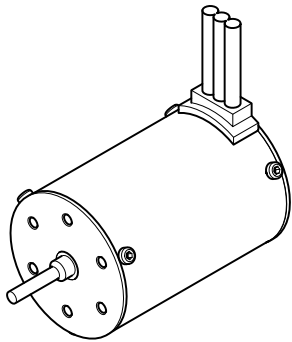
**This high-performance R/C model is recommended for ages 14 and older.**

# Required Equipment for Operation

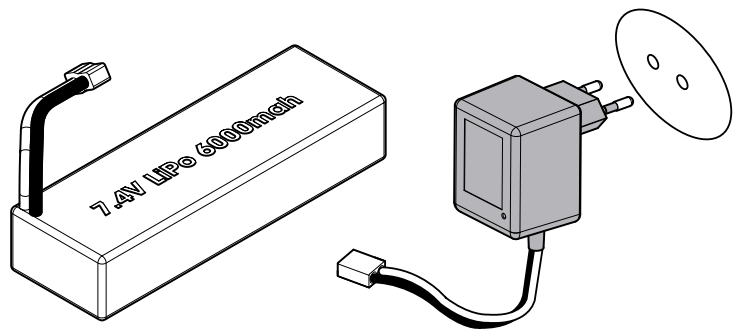
## Radio Gear



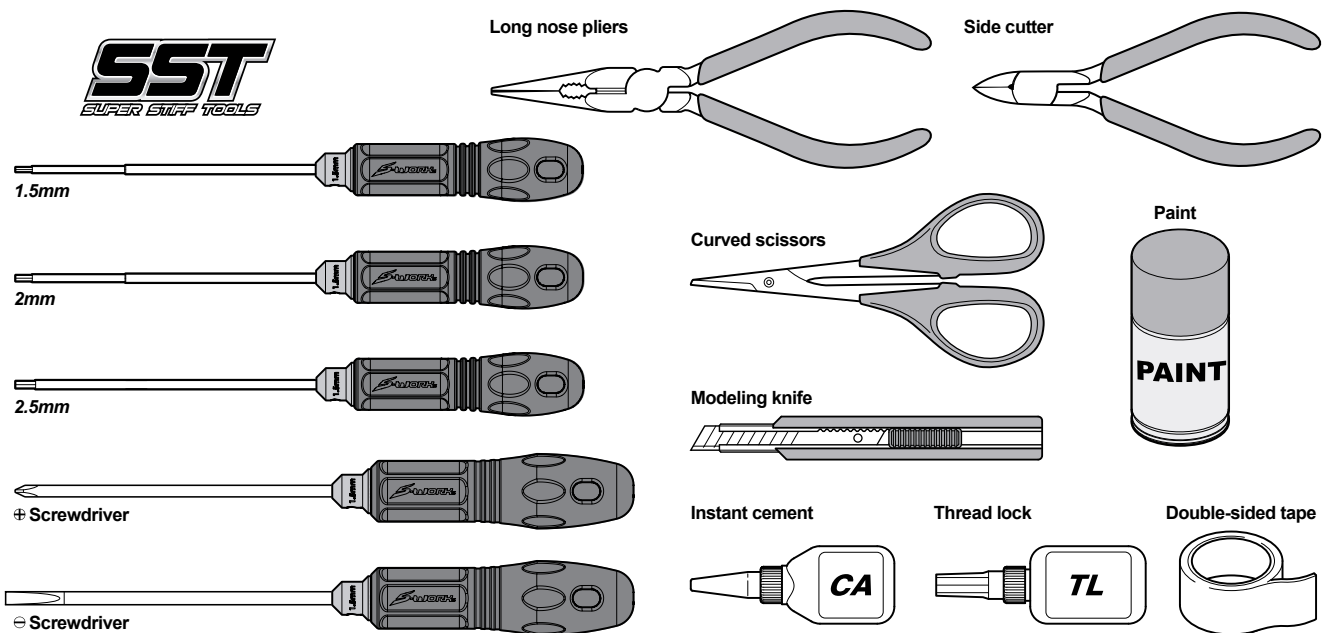
## Breshless Motor



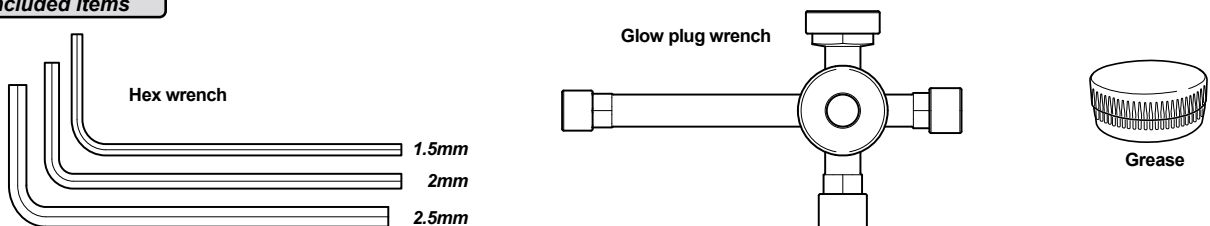
## Charger and LiPo Battery



## Tools Recommended



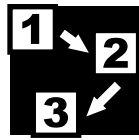
## Included items



## Operation Guide



Assemble front and rear



Assemble in the specified order



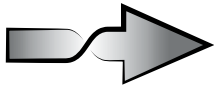
Assemble both left and right sides



Assemble for 2 sets



Assemble for 4 sets



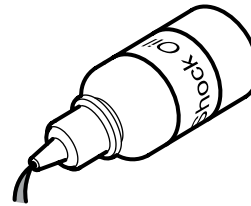
overturn



Thread Locking Compound



Grease



Pure Silicone Oil



Air filter oil

## Safety Precautions

The SWORKz S35-5E is a high performance radio controlled model which needs to be operated with caution and common sense.

The S35-2E Pro Kit is not intended for children under the age of 14 without adult supervision. SWORKz shall not be held liable for any loss or damages, whether direct, indirect, act of nature, arising from the abuse or misuse of this product or any other product required while operating this model.

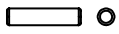
- The LiPO Battery can be dangerous is improperly handled.
- Always keep your LiPO Battery in a cool area and never use near flame, sparks, or while smoking.
- Keep your LiPO Battery, and all other flammables, out of the reach of children.
- After running your car, all parts of the Motor and ESC can become extremely hot. Be careful not to touch these parts.
- This model is controlled by your radio and that is vulnerable to interference from many outside sources. This interference can cause a loss of control so it is necessary to operate this model in an open area to avoid personal, or property damage. Always ensure turning on your radio first.
- Keep all the products included in the package out of reach of children.
- This model contains many fast rotating parts. Never touch them during operation.
- Follow the instruction included with your radio gear.
- Never operate your model near people or property. The speed of this model has the potential for injury and or damage to people and or property.
- Always use original SWORKz spare and option parts.
- Always ensure the buggy is in proper working condition before use.
- Always exercise caution when using any and all tools.

# BAG B

**1**

**F**  
**R**

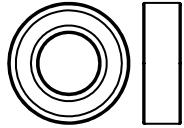
**x2**



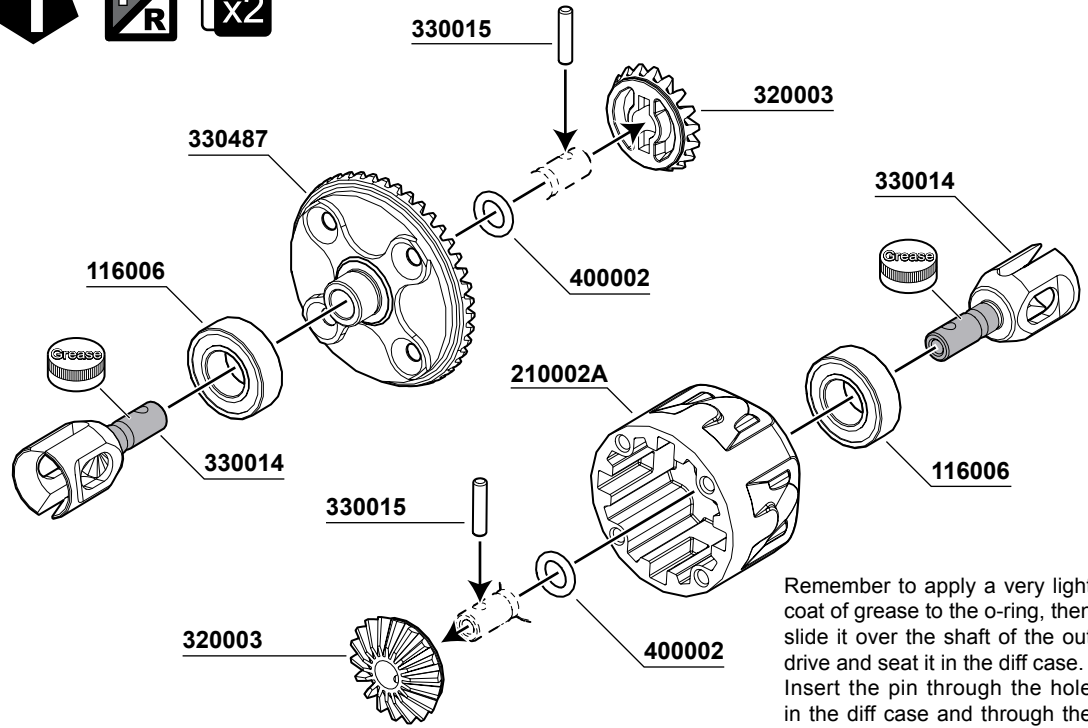
**330015**  
Pin M2.2x9.9mm **x4**



**400002**  
O-ring S5 4.8X1.5 **x4**



**116006**  
Ball Bearing 8x16x5mm **x4**



Remember to apply a very light coat of grease to the o-ring, then slide it over the shaft of the out drive and seat it in the diff case. Insert the pin through the hole in the diff case and through the hole in the shaft of the out drive.

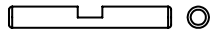
**2**

**F**  
**R**

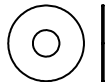
**x2**



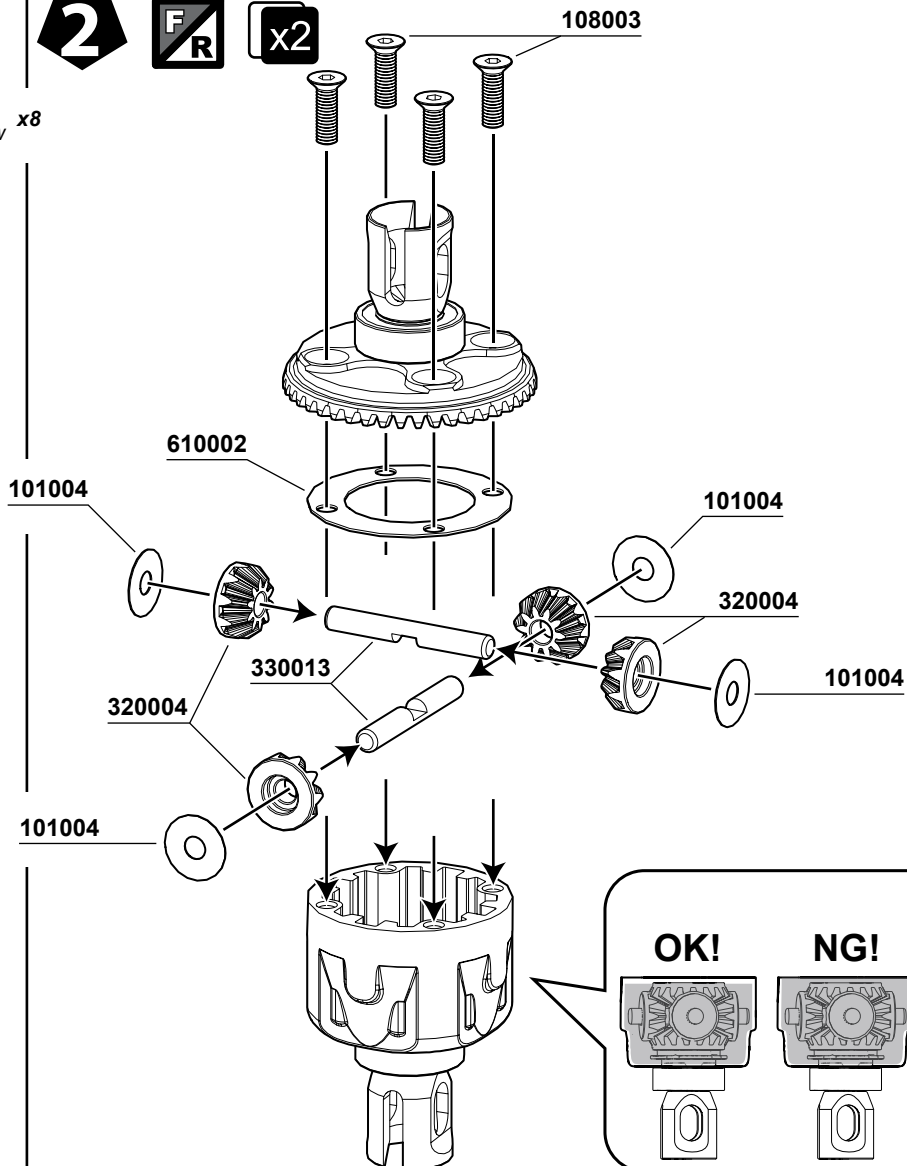
**108003**  
M3x10mm FH/ST HEX Screw **x8**



**330013**  
Bevel Gear Shaft **x4**



**101004**  
Washer 3.5X10X0.2mm **x8**

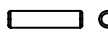




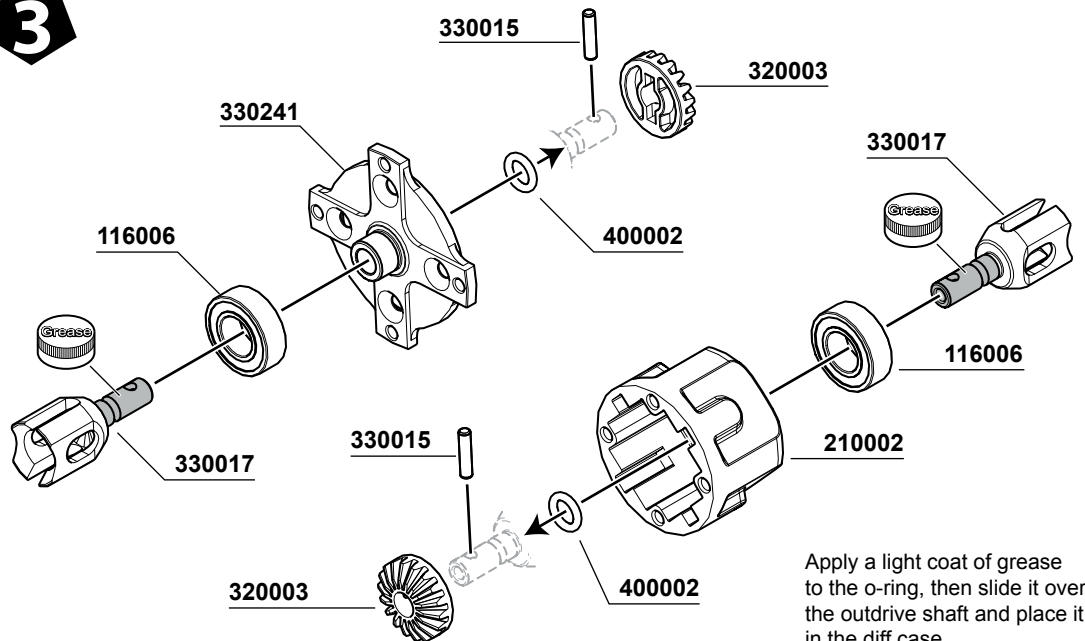
**OK!**

**NG!**

Fill the differentials with oil up to 80% above the satellite gears. Put the SWORKz Diff. Oil 7000cps for the front Diff. and 3000cps for the rear Diff.



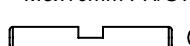

## 3

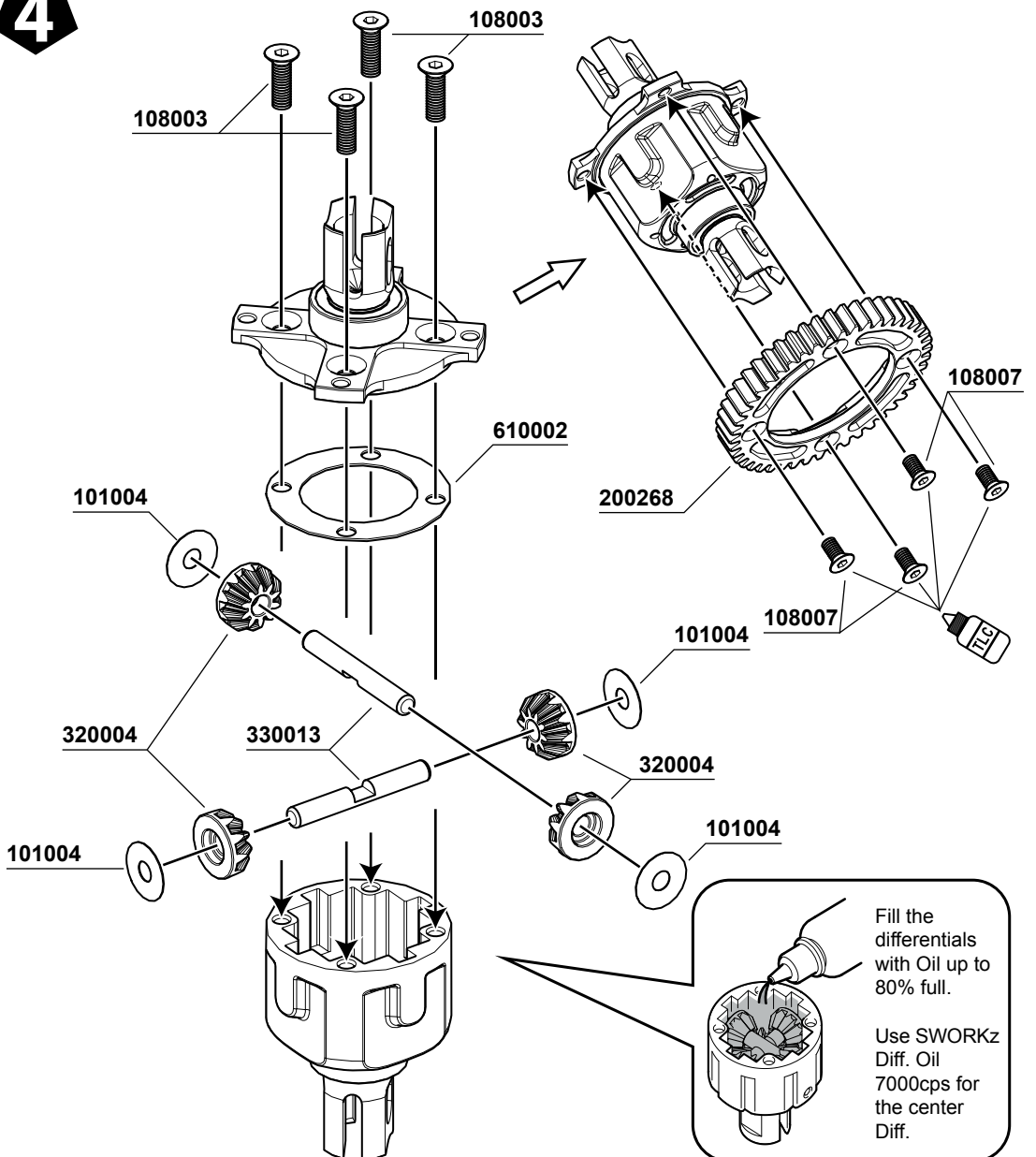
-  **330015**  
Pin M2.2x9.9mm x2
-  **400002**  
O-ring S5 4.8X1.5 x2
-  **116006**  
Ball Bearing 8x16x5mm x2



Apply a light coat of grease to the o-ring, then slide it over the outdrive shaft and place it in the diff case.  
Insert the pin through the hole of the out drive.

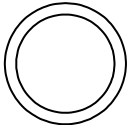
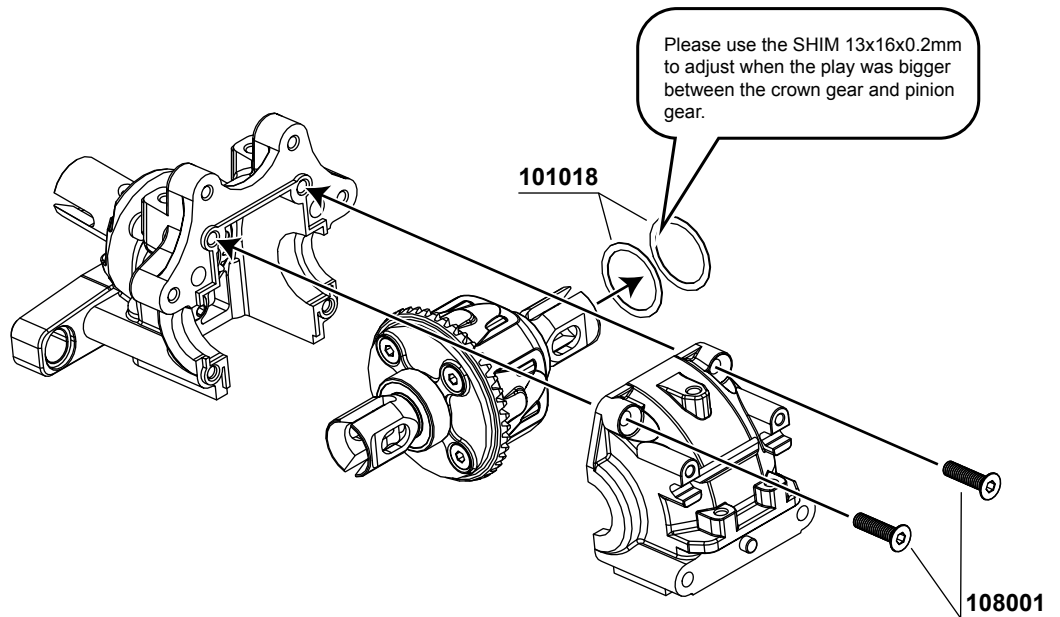
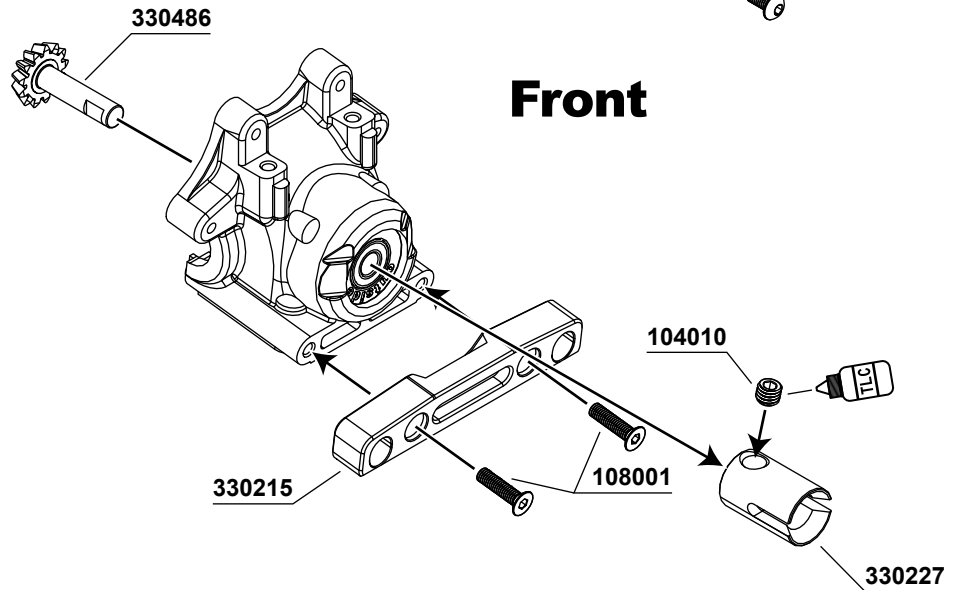
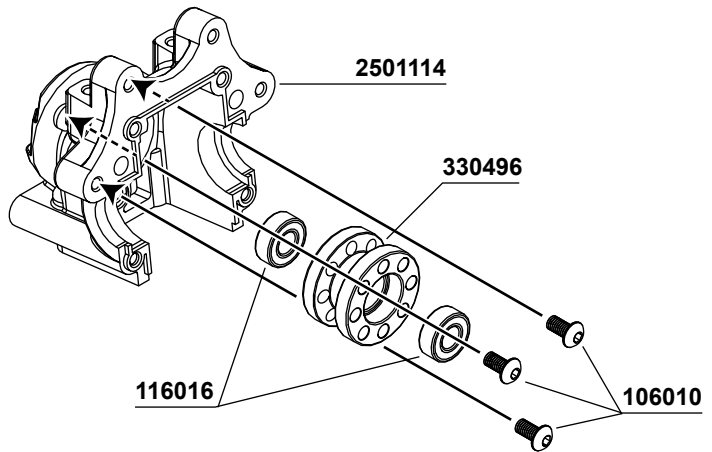
## 4

-  **108007**  
M3x6mm FH/ST HEX Screw x4
-  **108003**  
M3x10mm FH/ST HEX Screw x4
-  **330013**  
Bevel Gear Shaft x2
-  **101004**  
Washer 3.5X10X0.2mm x4



Fill the differentials with Oil up to 80% full.  
Use SWORKz Diff. Oil 7000cps for the center Diff.



**BAG D****5****BAG M****104010**  
M5x4mm Set Screw (Flat Bottom) *x1***106010**  
M3x6mm Hex Socket OH/TP Screw *x3***108001**  
M3x12mm FH/ST HEX Screw *x4***116016**  
Ball Bearing 5x11x4mm *x2***101018**  
SHIM 13x16x0.2mm *x2*



**104010**  
M5x4mm Set Screw (Flat Bottom) x1



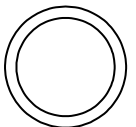
**106010**  
M3x6mm Hex Socket OH/TP Screw x3



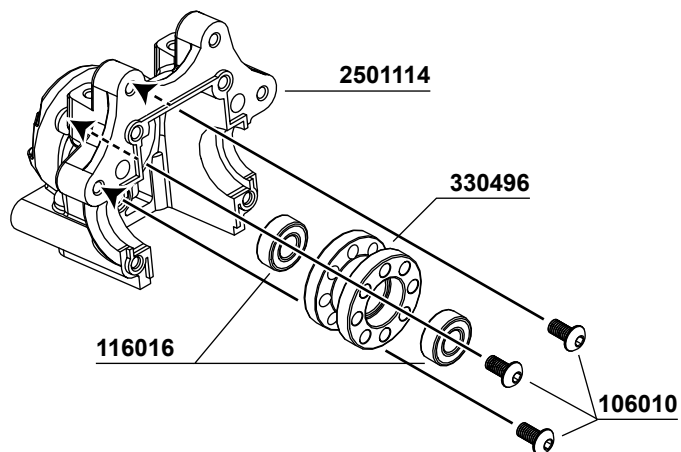
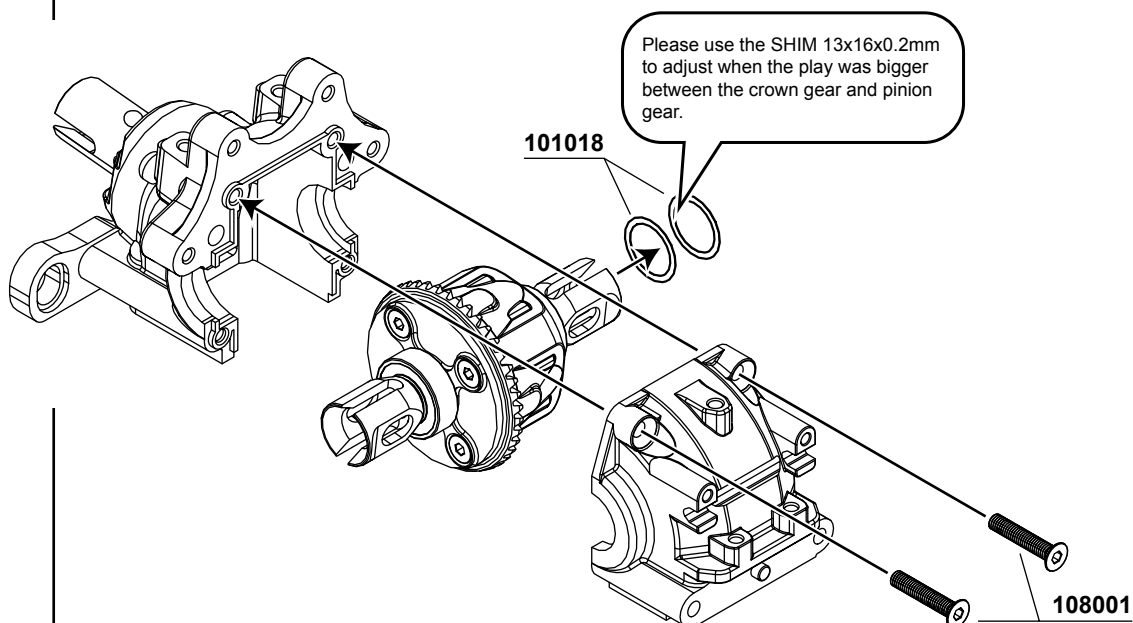
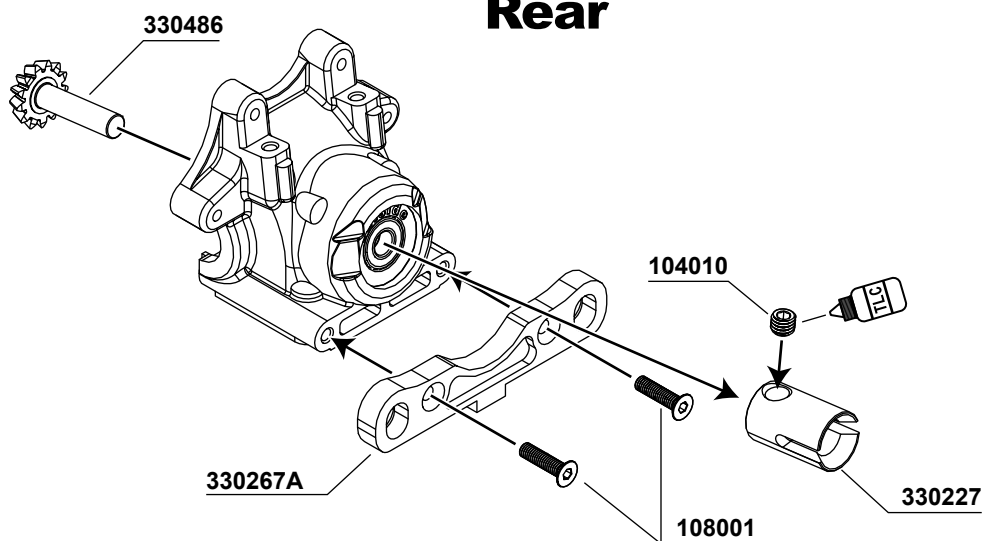
**108001**  
M3x12mm FH/ST HEX Screw x4



**116016**  
Ball Bearing 5x11x4mm x2



**101018**  
SHIM 13x16x0.2mm x2

**Rear**

# BAG E

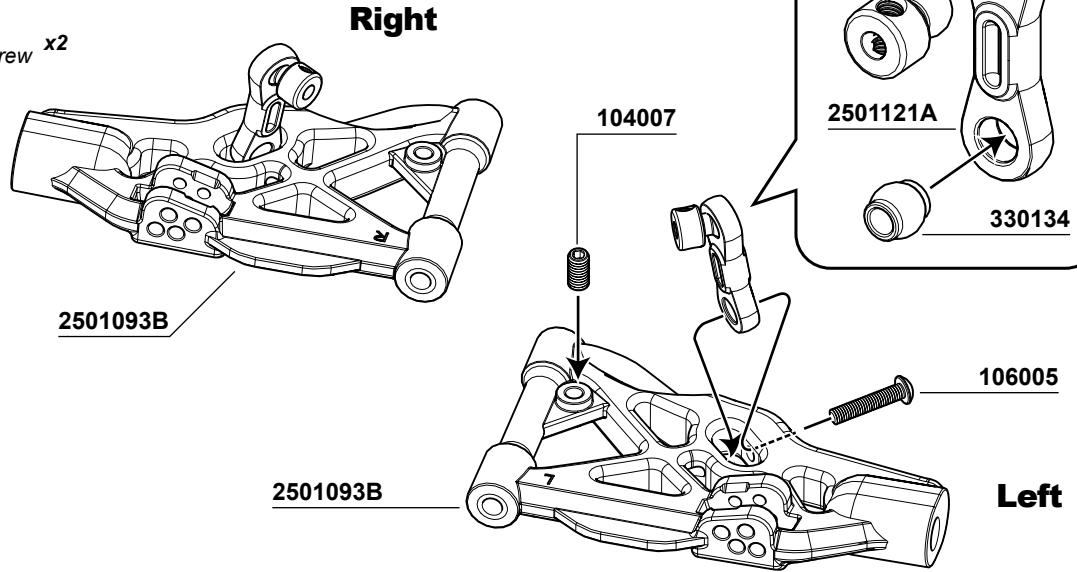
**7** **R L** **x2**



**104007**  
M4x8mm Set Screw **x2**

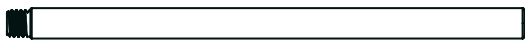


**106005**  
M3x15mm Hex Socket OH/TP Screw **x2**



# BAG E

**8**



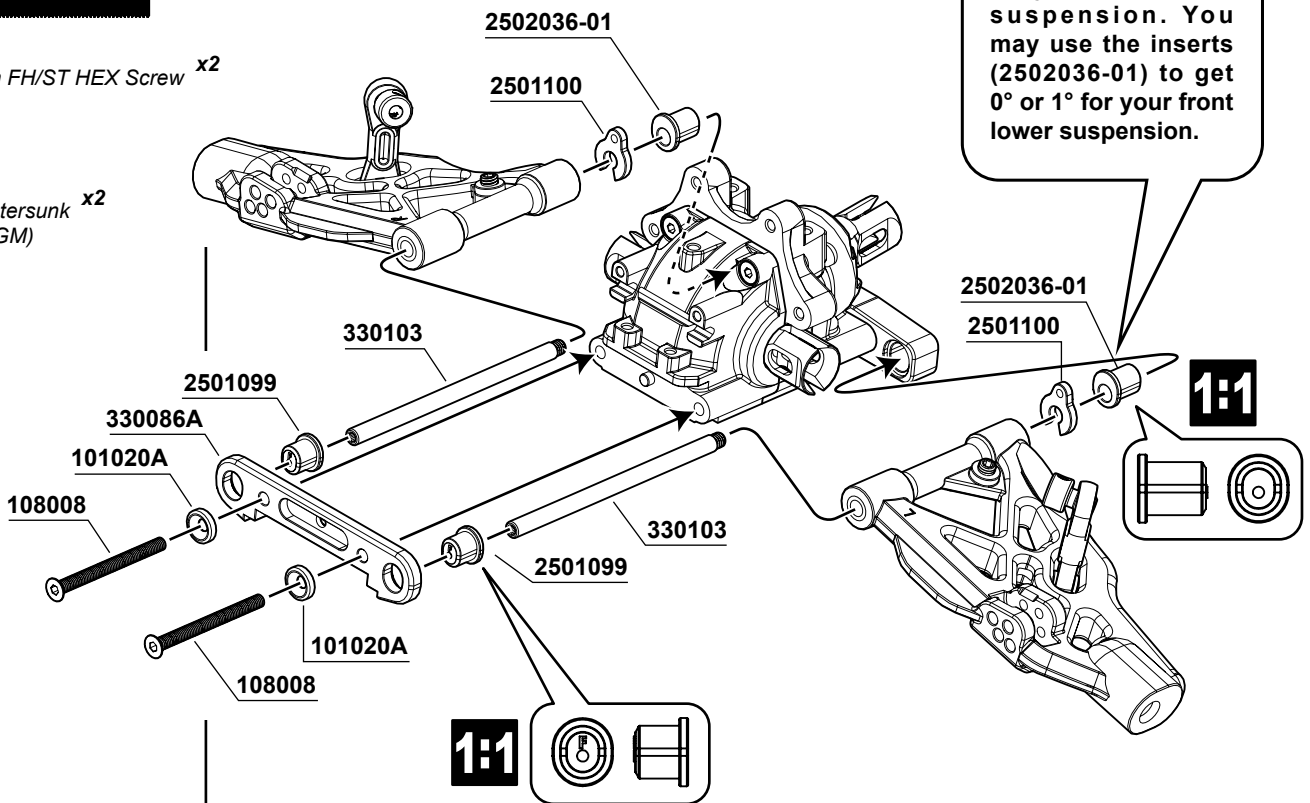
**330103**  
Front/Rear Lower Arm HingPin **x2**



**108008**  
M3x35mm FH/ST HEX Screw **x2**





**101020A**  
3mm Countersunk Washers (GM) **x2**

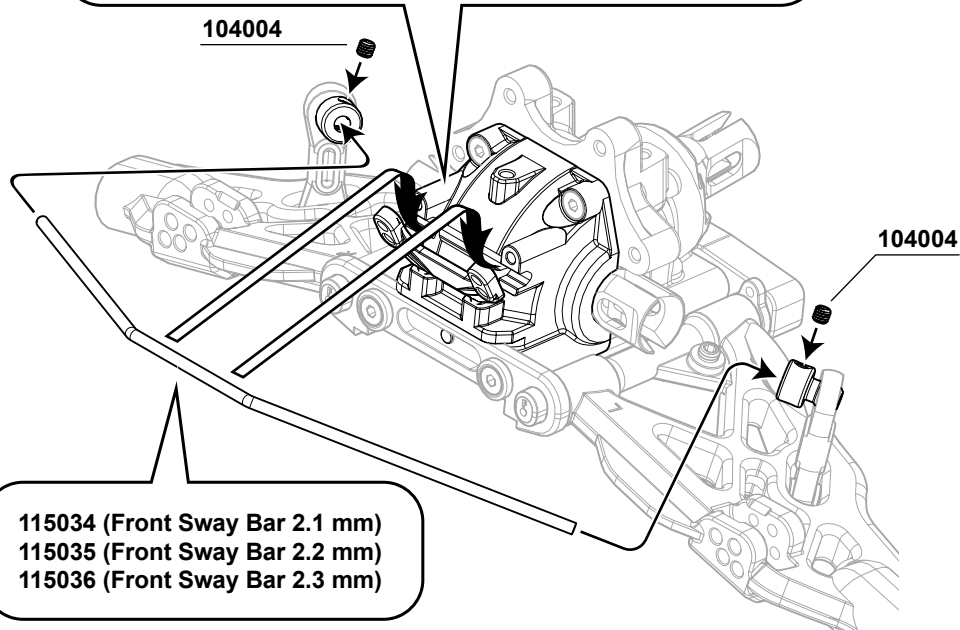
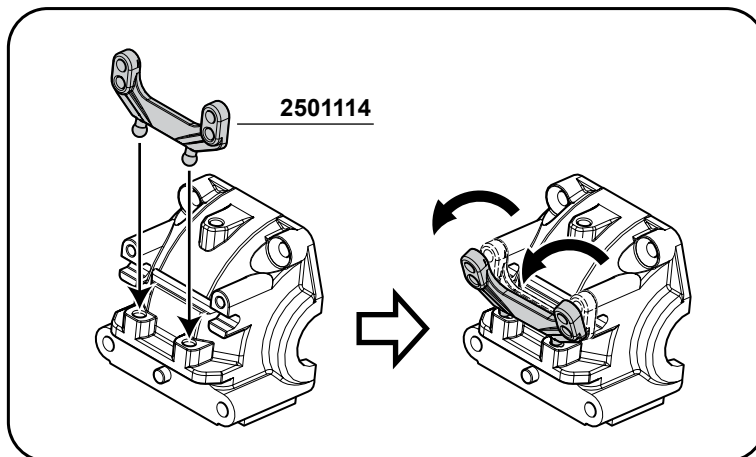


The option aluminum front lower arm holder (330215) can offer 0° or 1° kick-up for your front lower suspension. You may use the inserts (2502036-01) to get 0° or 1° for your front lower suspension.

# BAG M

## 9

-  
- 104004  
M3x3mm Set Screw x2

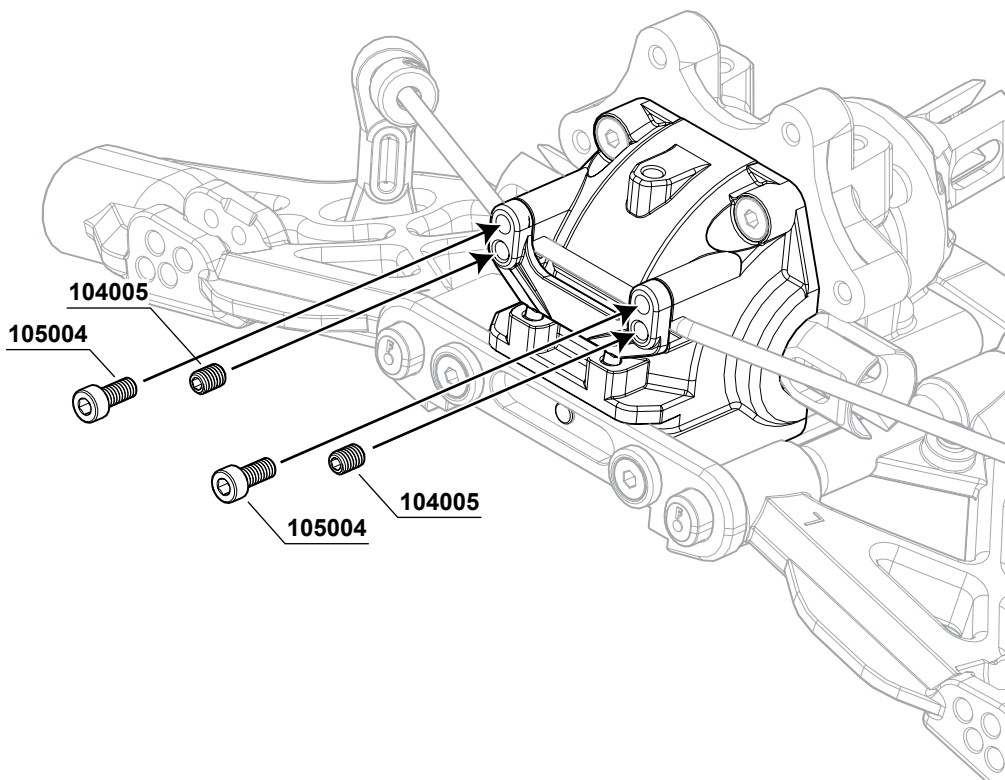


# BAG E

## 10

-  
- 104005  
M3x4mm Set Screw x2

- 
- 105004  
M2.6x6mm Cap Screw x2



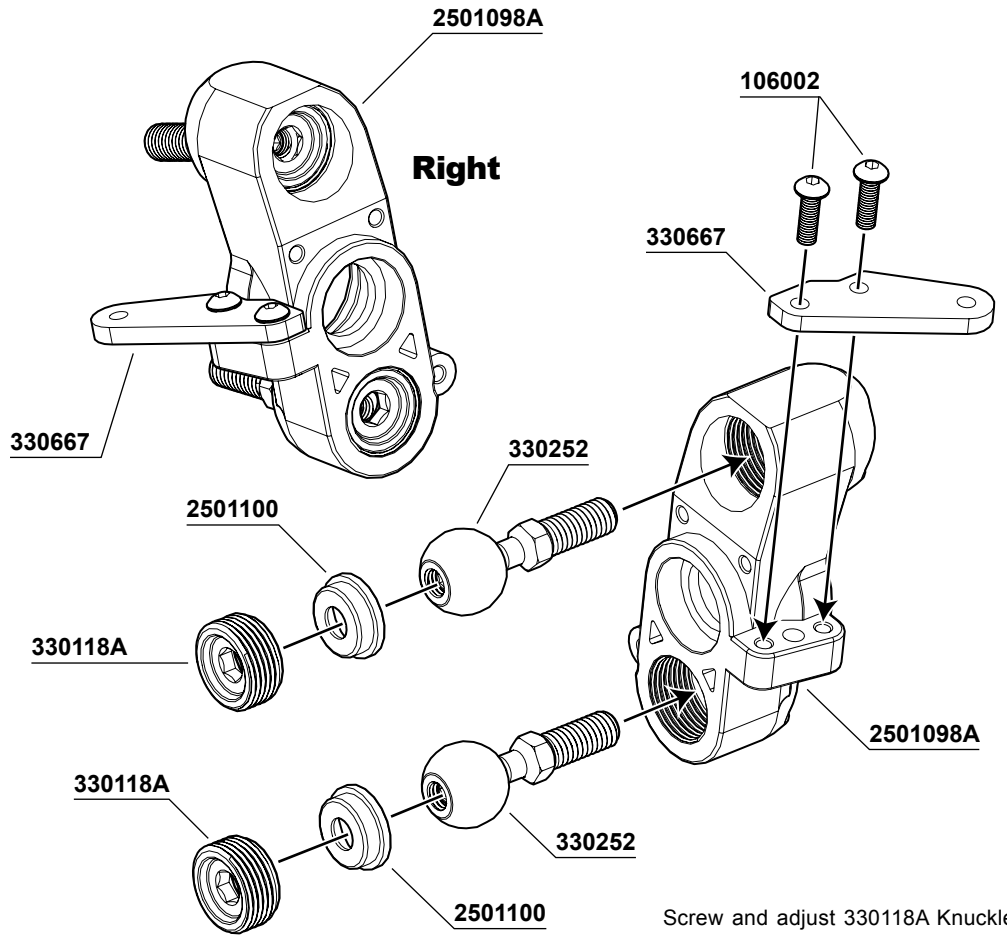
**BAG E**

**11** **R L** **x2**

**BAG M**



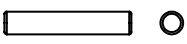
**106002**  
M3x10mm Hex Scket OH/TP Screw **x4**



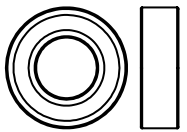
Screw and adjust 330118A Knuckle Pivot Ball Nut so as the pivot ball can be moved smoothly.



**104001**  
M5x4mm Set Screw **x2**

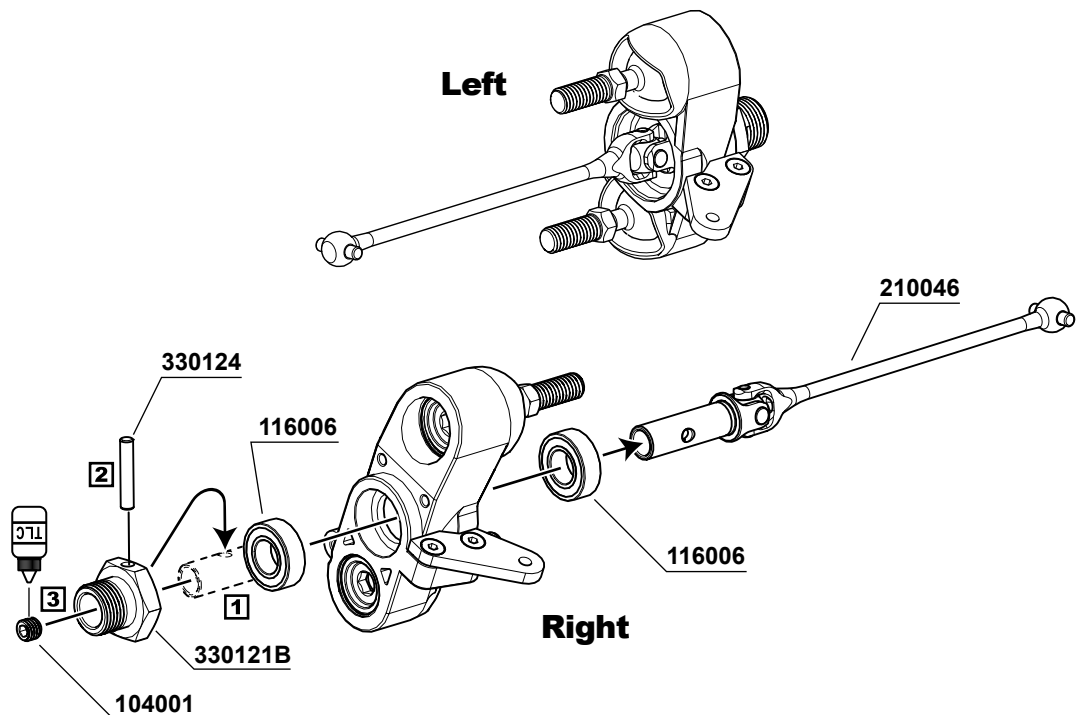


**330124**  
Pin M3.0x16.8mm **x2**



**116006**  
Ball Bearing 8x16x5mm **x2**

**12** **1 2 3** **R L** **x2**



**BAG E**

**13**

**BAG M**

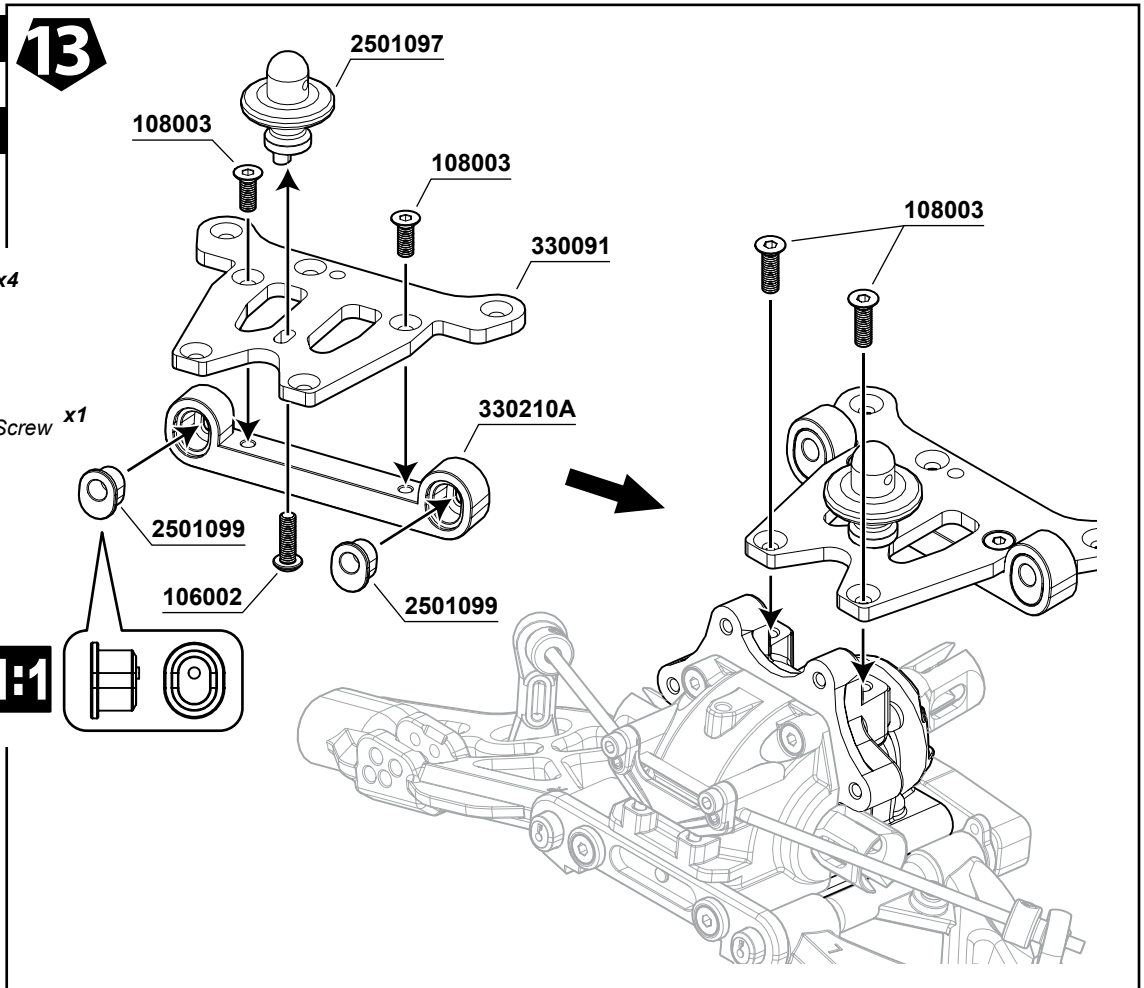
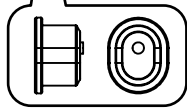


**108003**  
M3x10mm FH/ST HEX Screw x4



**106002**  
M3x10mm Hex Socket OH/TP Screw x1

**1:1**



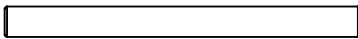
**BAG E**

**14**

**BAG M**

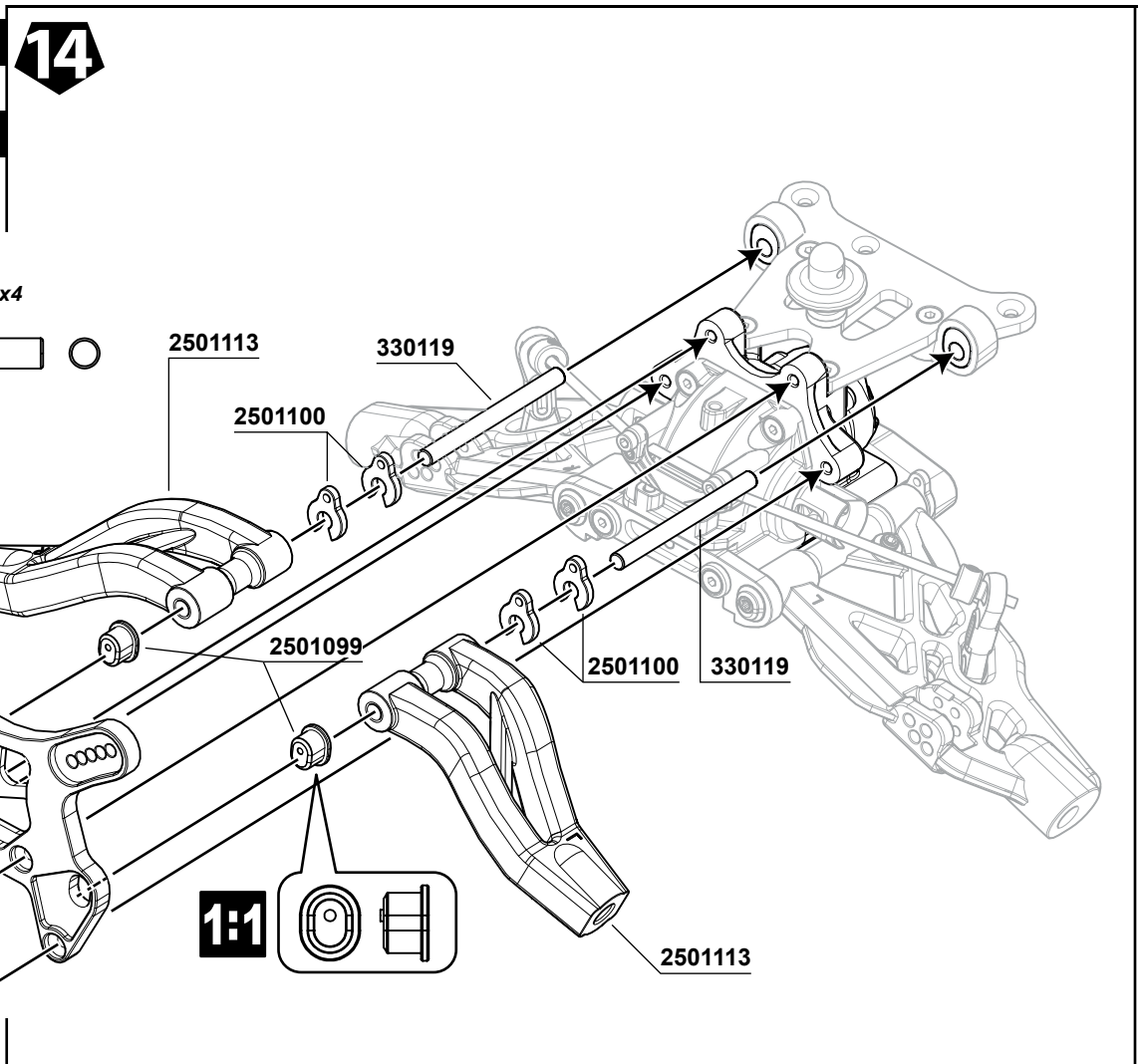
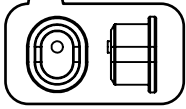


**108001**  
M3x12mm FH/ST HEX Screw x4

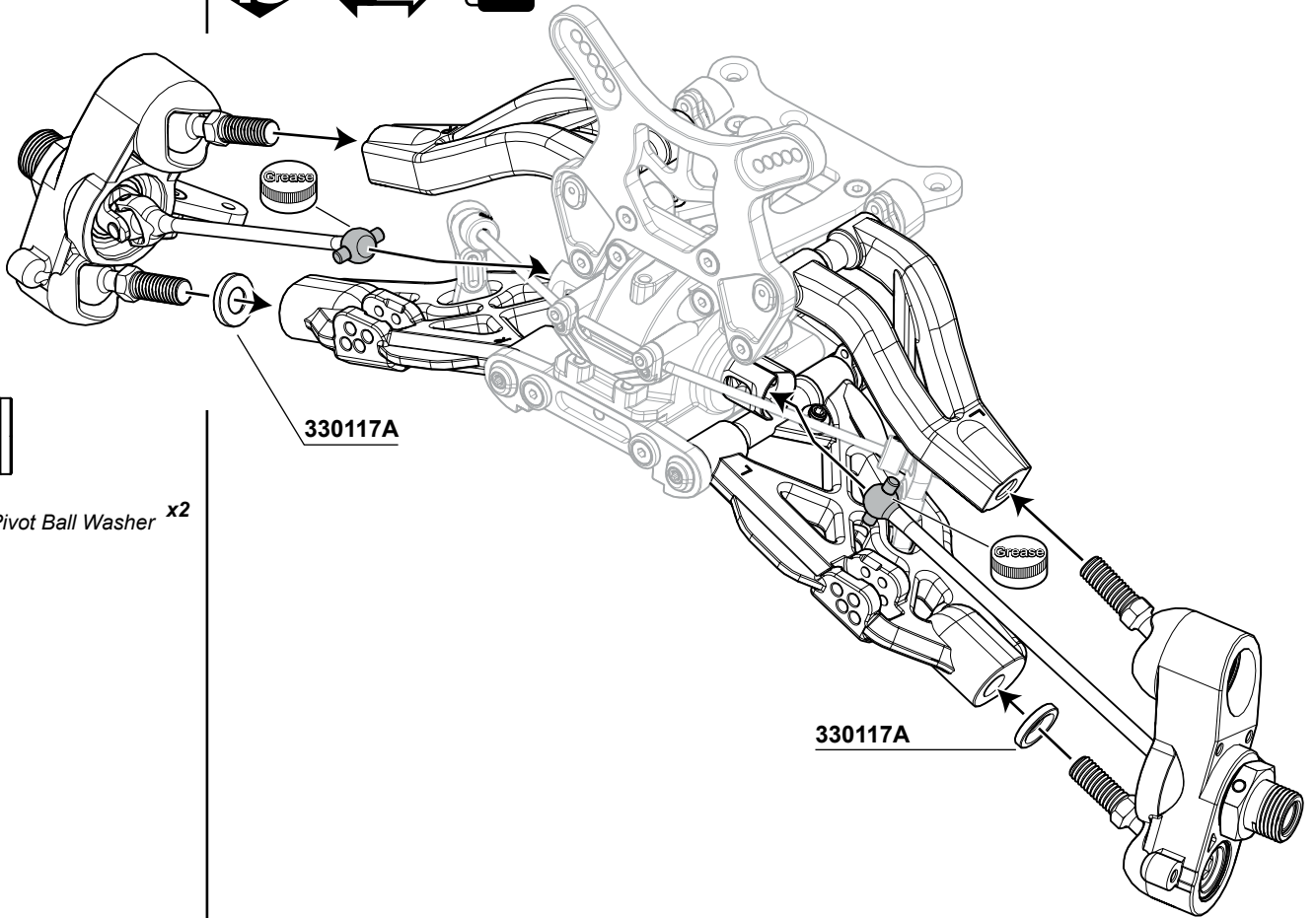


**330119**  
Front Upper Arm HingPin x2

**1:1**



**15** **R/L** **x2**



**330117A**  
Knuckle Pivot Ball Washer **x2**

**BAG E**

**16**

**BAG M1**



**103001**  
M3 Nut Lock **x2**



**101021**  
M3x8xT0.8mm **x4**



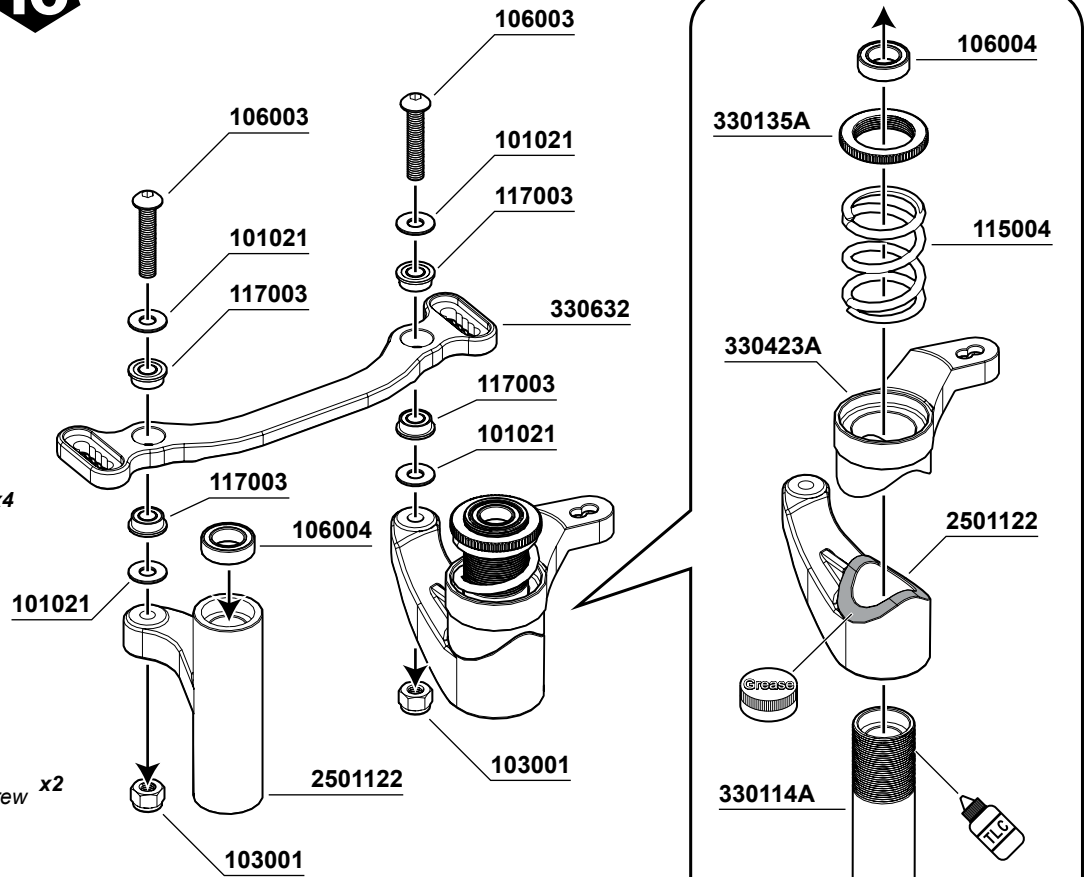
**117003**  
Flange Ball Bearing 3x6x2.5mm **x4**



**116004**  
Ball Bearing 6x10x3mm **x2**



**106003**  
M3x16mm Hex Socket OH/TP Screw **x2**



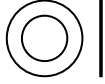
**17**



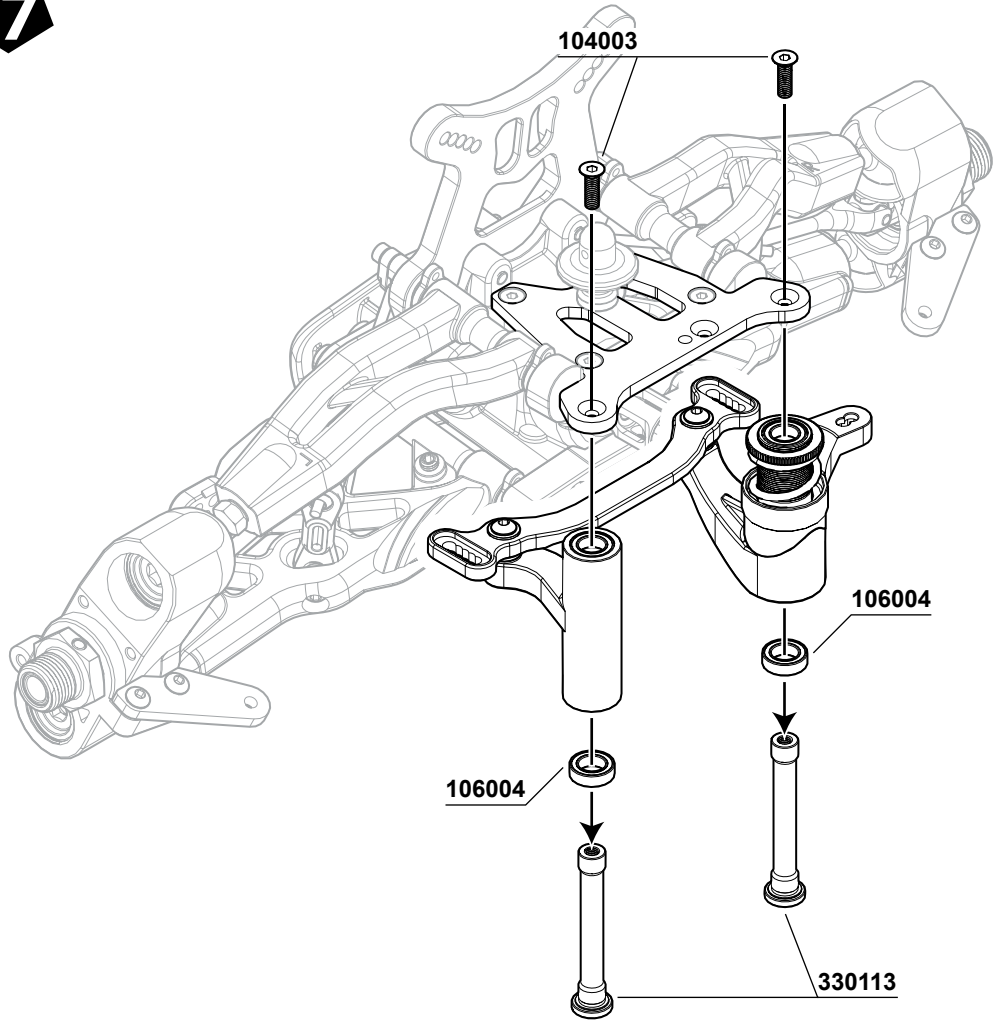
**108003**  
M3x10mm FH/ST HEX Screw **x2**



**116004**  
Ball Bearing 6x10x3mm **x2**



**101019**  
SHIM 6.0x10.0x0.2mm **x1**



**BAG E**

**18**



**x2**

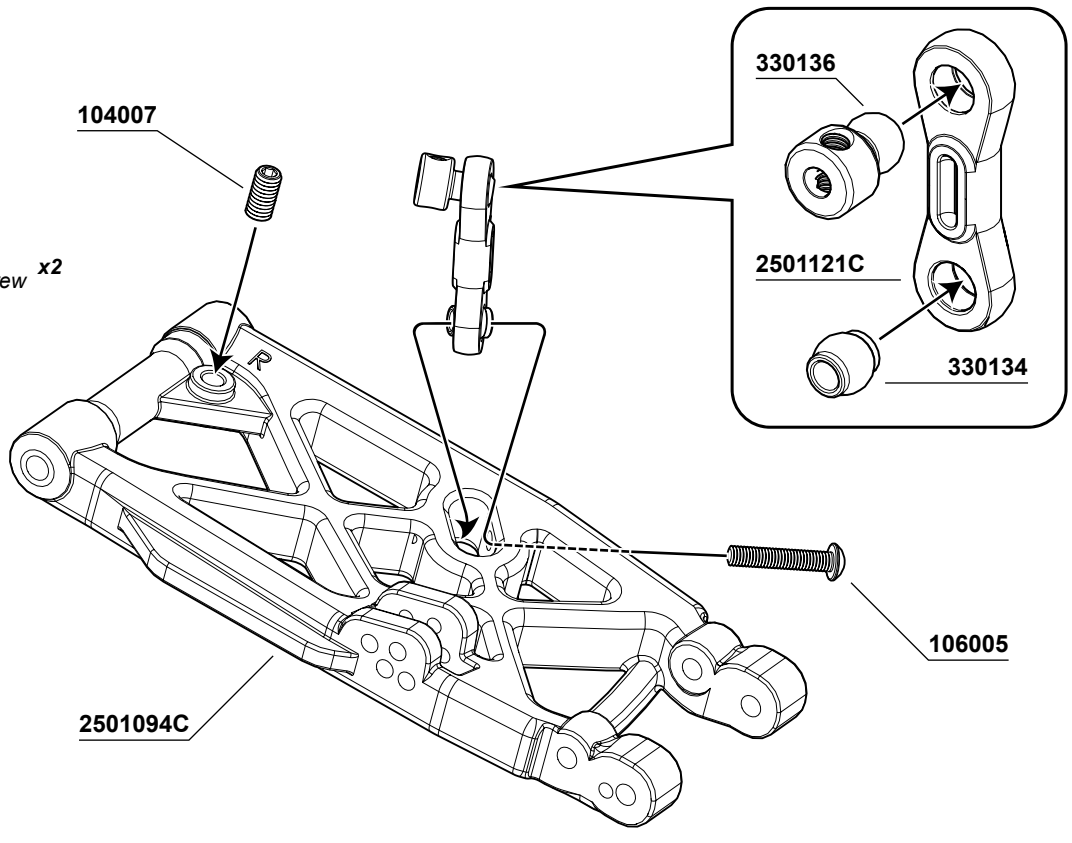
**BAG M**



**104007**  
M4x8mm Set Screw **x2**



**106005**  
M3x15mm Hex Socket OH/TP Screw **x2**





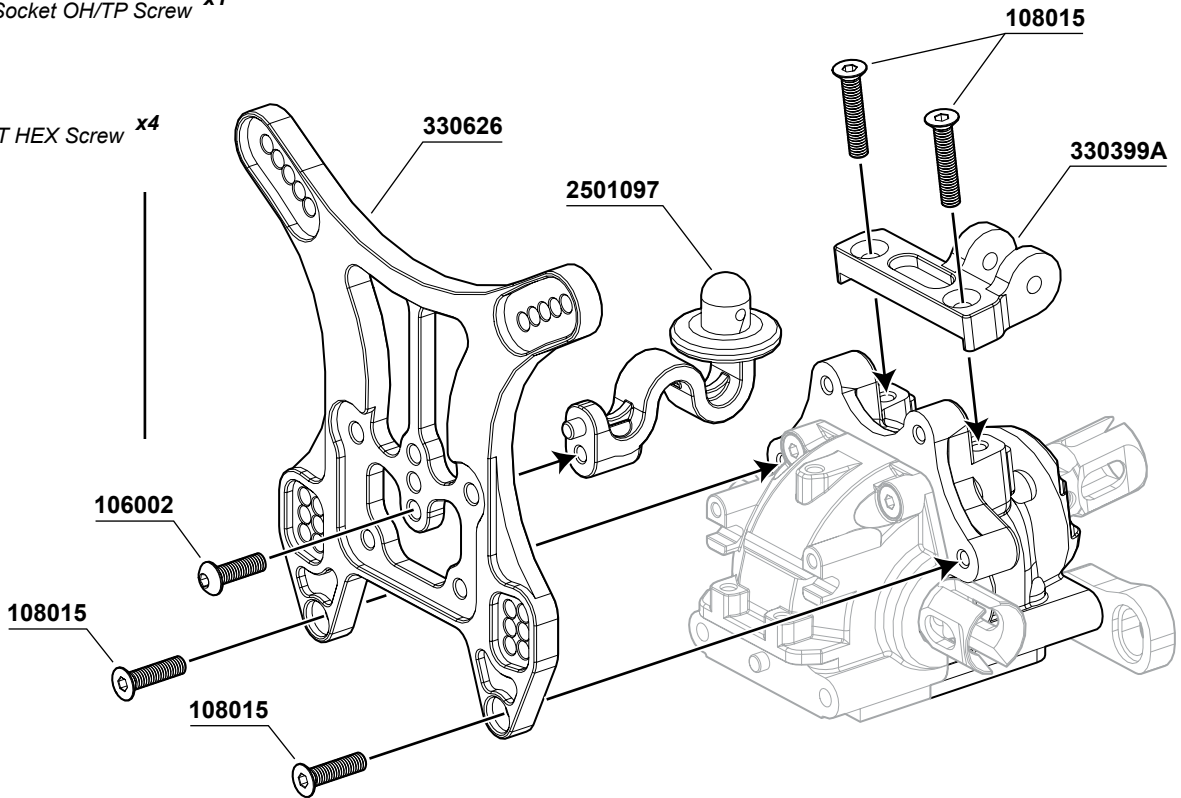
# 19



**106002**  
M3x10mm Hex Socket OH/TP Screw **x1**



**108015**  
M3x16mm FH/ST HEX Screw **x4**



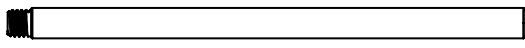
**BAG E**

# 20

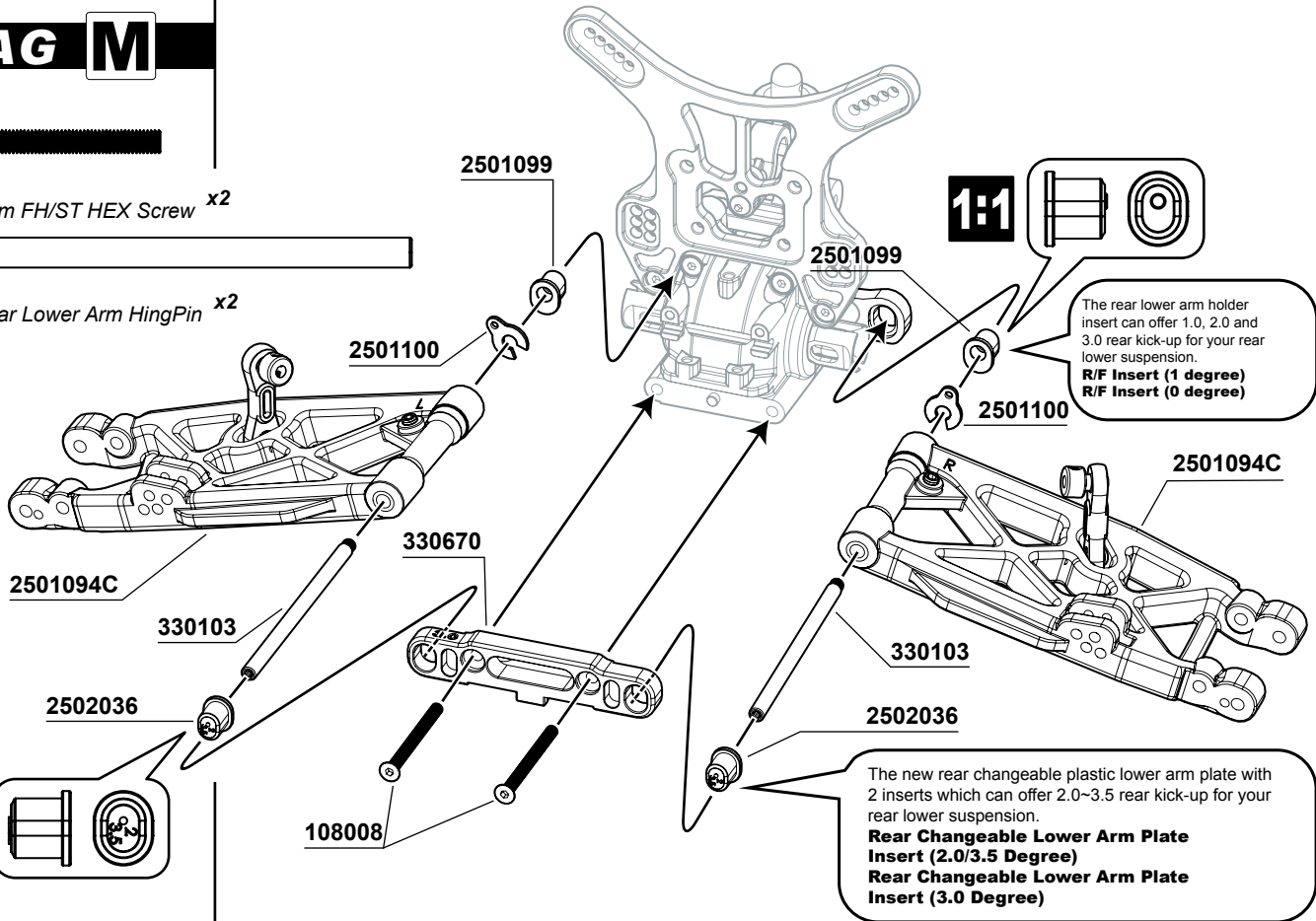
**BAG M**




**108008**  
M3x35mm FH/ST HEX Screw **x2**

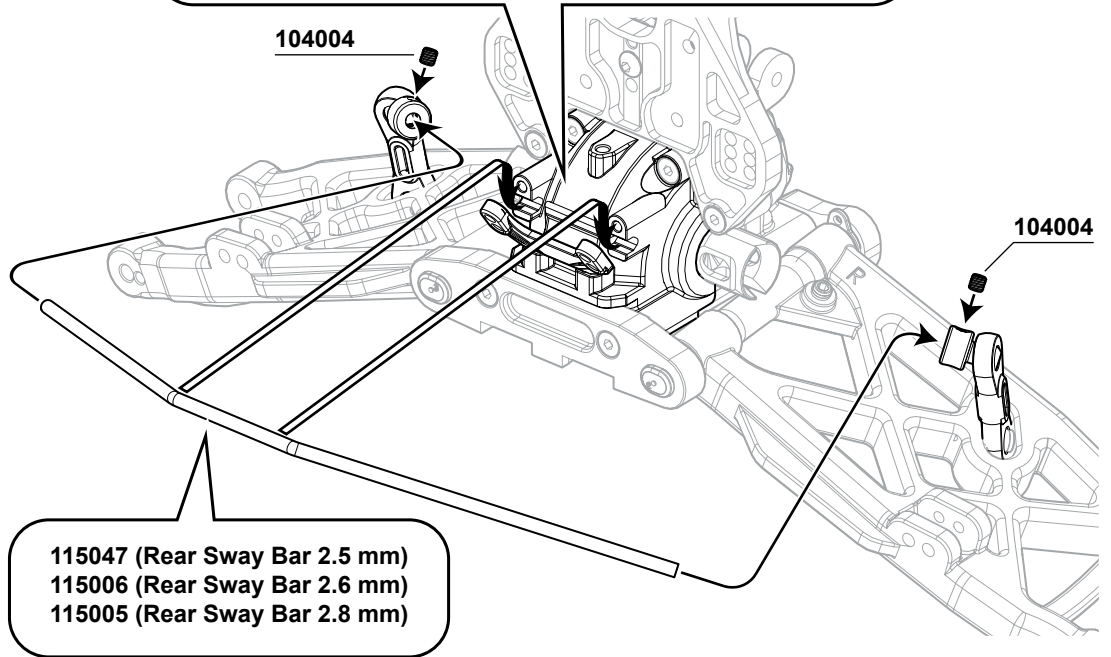
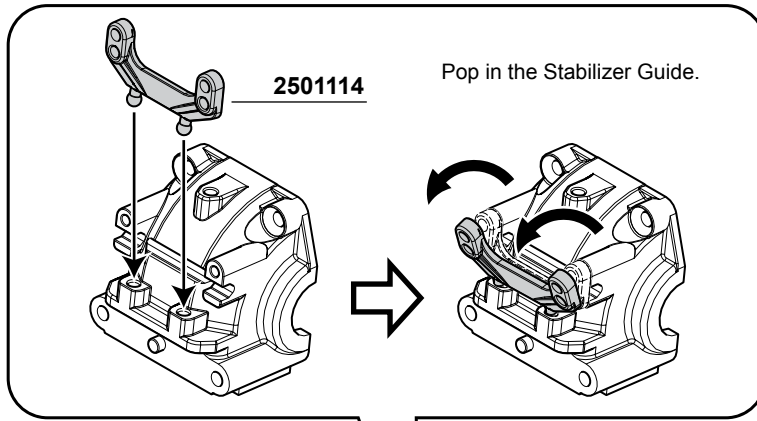


**330103**  
Front/Rear Lower Arm HingPin **x2**




  
**104004**
  
 M3x3mm Set Screw x2

**21**



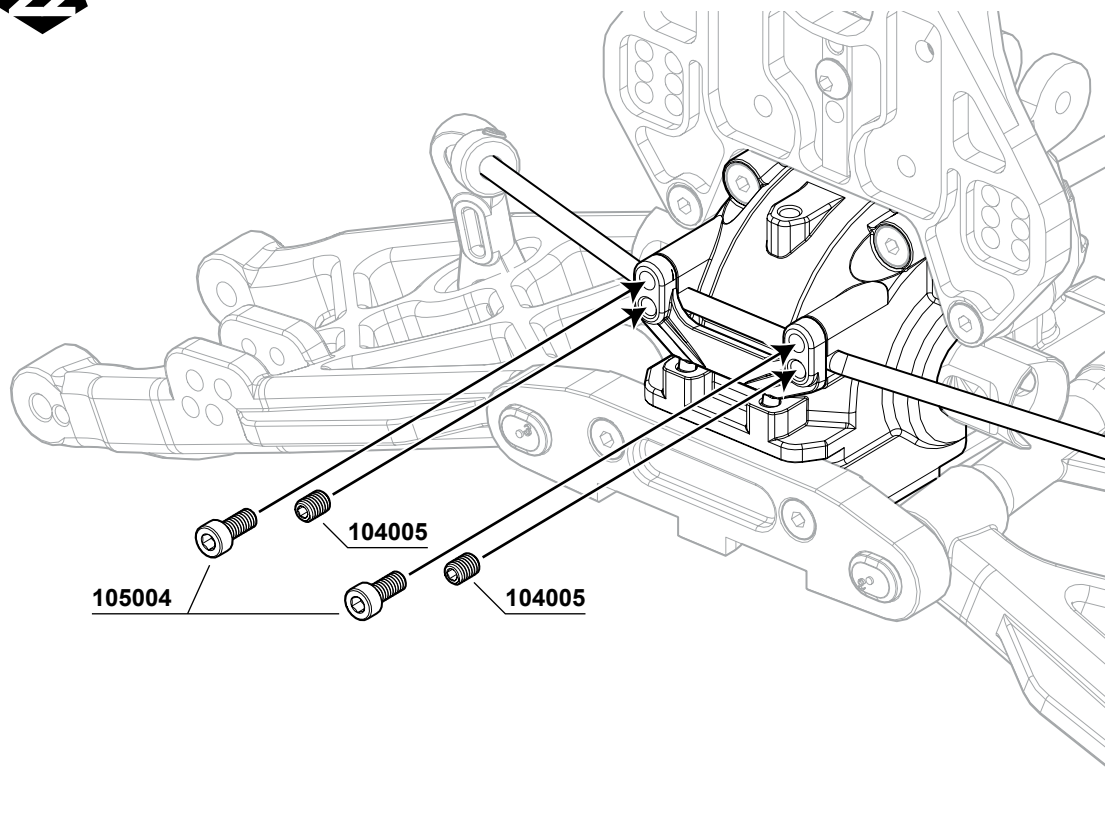
**22**

**BAG E**

**BAG M**

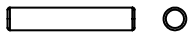

  
**104005**
  
 M3x4mm Set Screw x2


  
**105004**
  
 M2.6x6mm Cap Screw x2

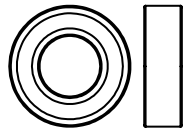




104001  
M5x4mm Set Screw x2

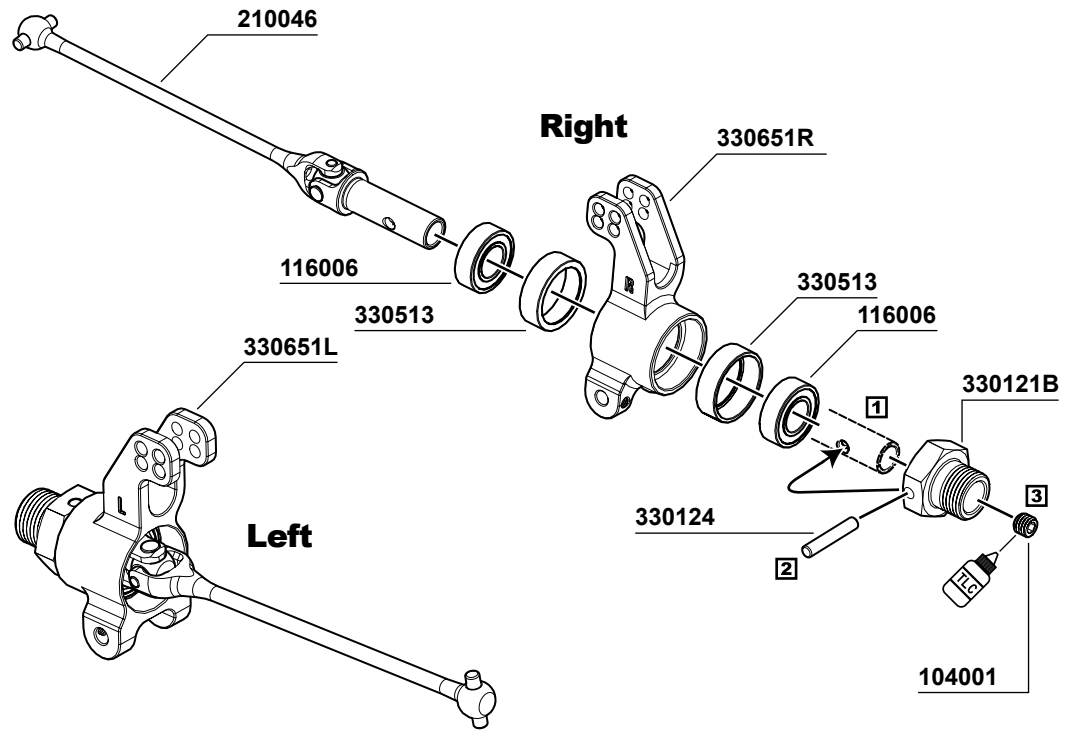


330124  
Pin M3.0x16.8mm x2



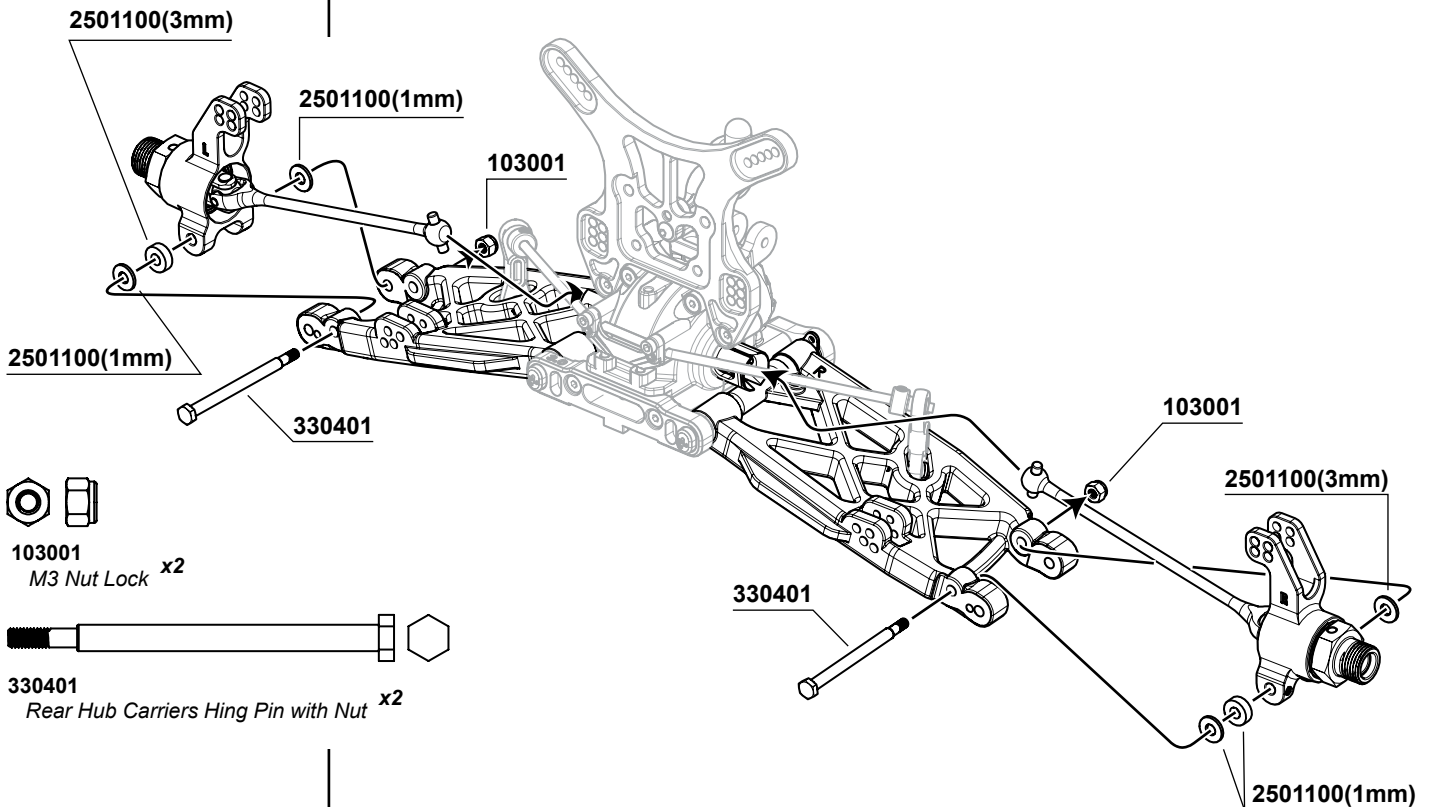
116006  
Ball Bearing 8x16x5mm x2

23 x2

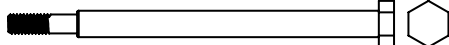


**BAG E**  
**BAG M**

24 x2



103001  
M3 Nut Lock x2



330401  
Rear Hub Carriers Hing Pin with Nut x2

**BAG E**

**25**



**x2**

**BAG M 1**



**330123A**  
Rear Upper Sus. Arm Turnbuckles

x2

**330125**

**2501121A**

**200583**

**330123A**

**330125**

**1:1**

15mm

**BAG E**

**26**



**x2**



**103001**  
M3 Nut Lock

x4



**105011**  
M3x23mm Cap Screw

x2



**106003**  
M3x16mm Hex Socket OH/TP Screw

x2

**105011**

**106003**

**106003**

**105011**

**103001**

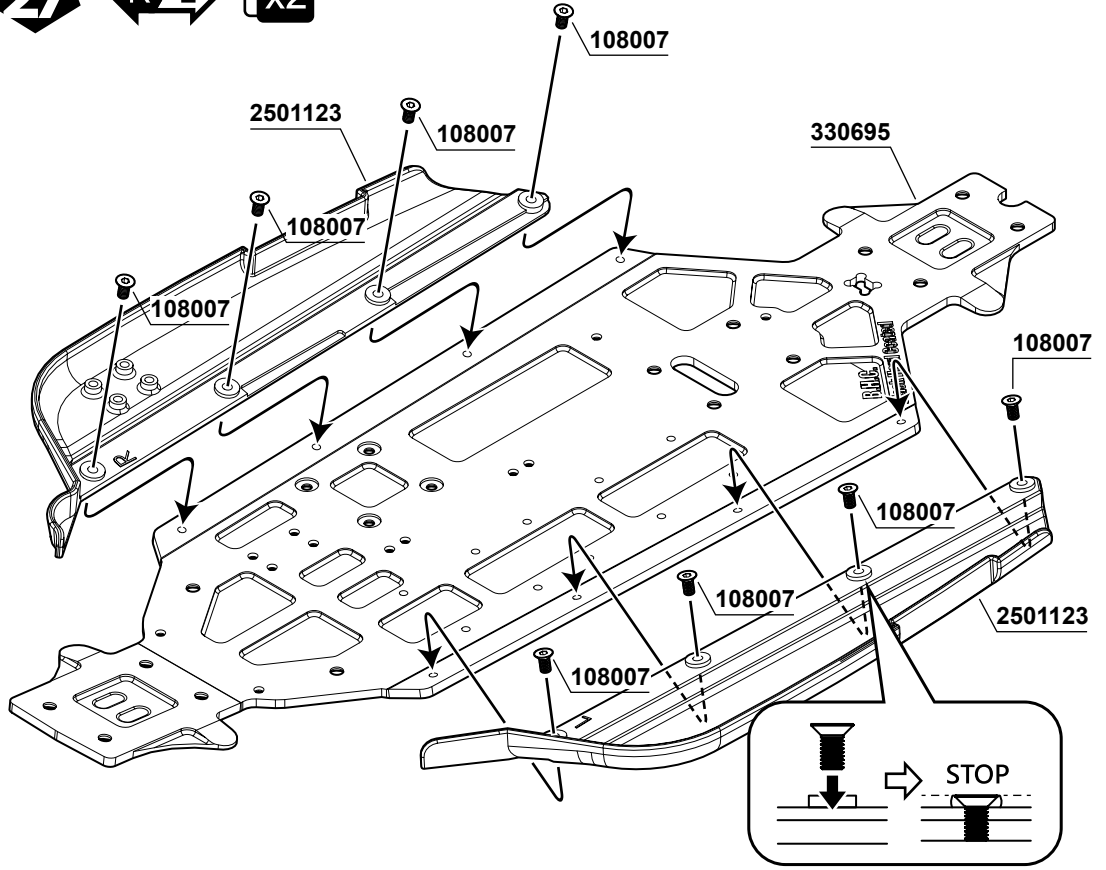
**103001**

**103001**

**103001**



108007  
M3x6mm FH/ST HEX Screw x8



106002  
M3x10mm Hex Soket OH/TP Screw x1



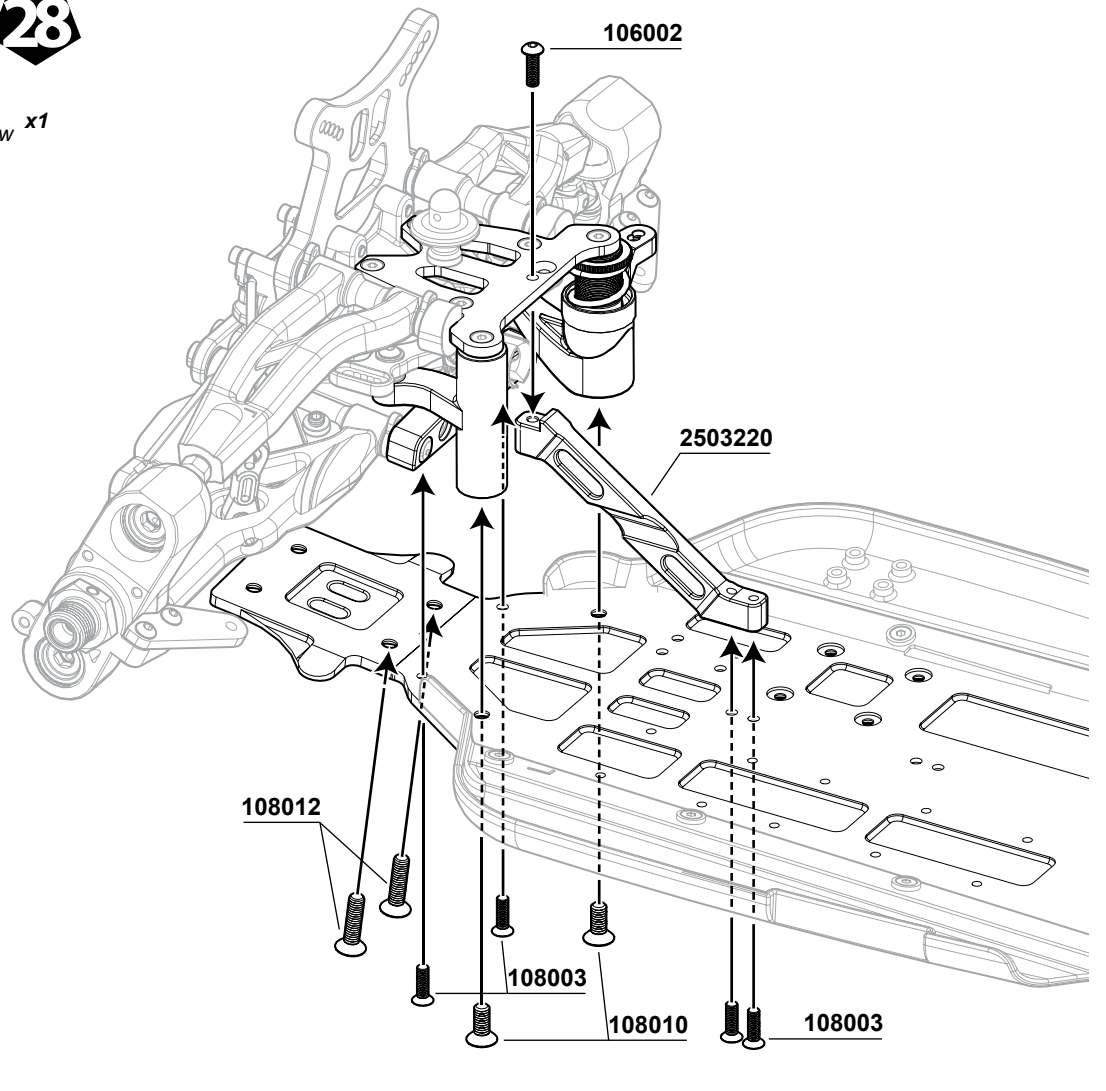
108003  
M3x10mm FH/ST HEX Screw x4



108010  
M4x10mm FH/ST HEX Screw x2



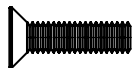
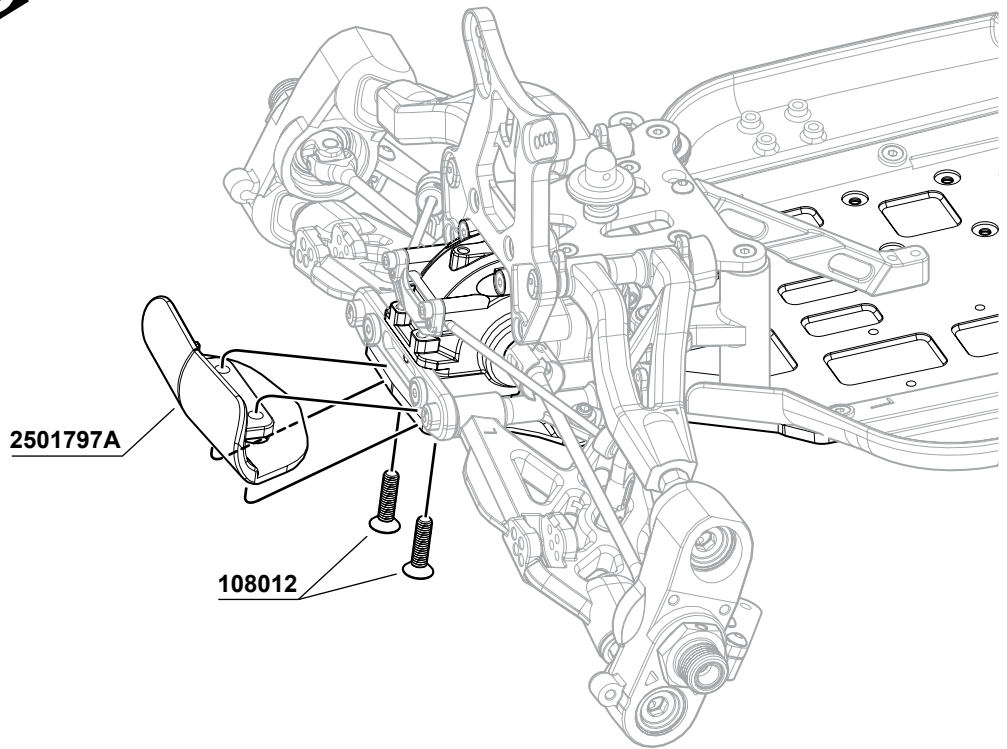
108012  
M4x16mm FH/ST HEX Screw x2



# BAG M 1 29



**108012**  
M4x16mm FH/ST HEX Screw **x2**



**108012**  
M4x16mm FH/ST HEX Screw **x4**



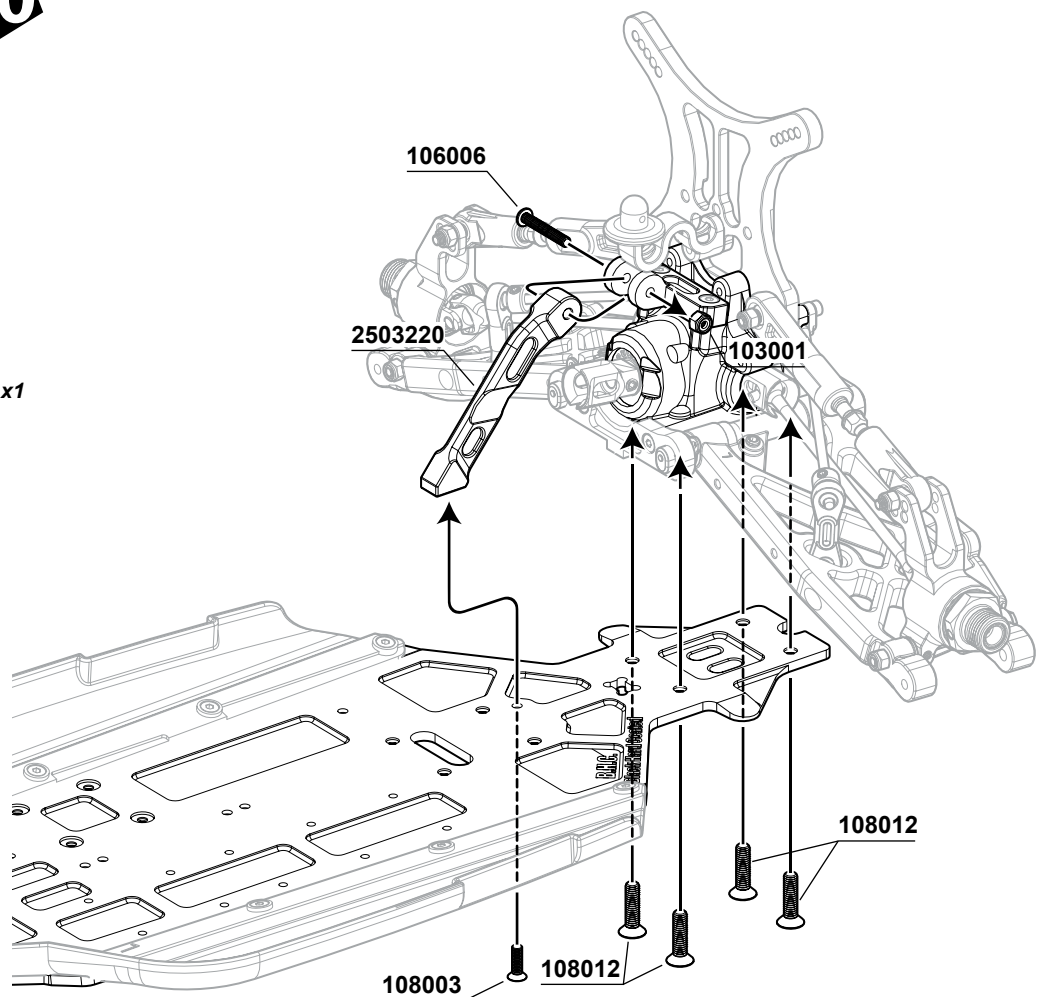
**108003**  
M3x10mm FH/ST HEX Screw **x1**



**106006**  
M3x20mm Hex Socket OH/TP Screw **x1**



**103001**  
M3 Nut Lock **x1**





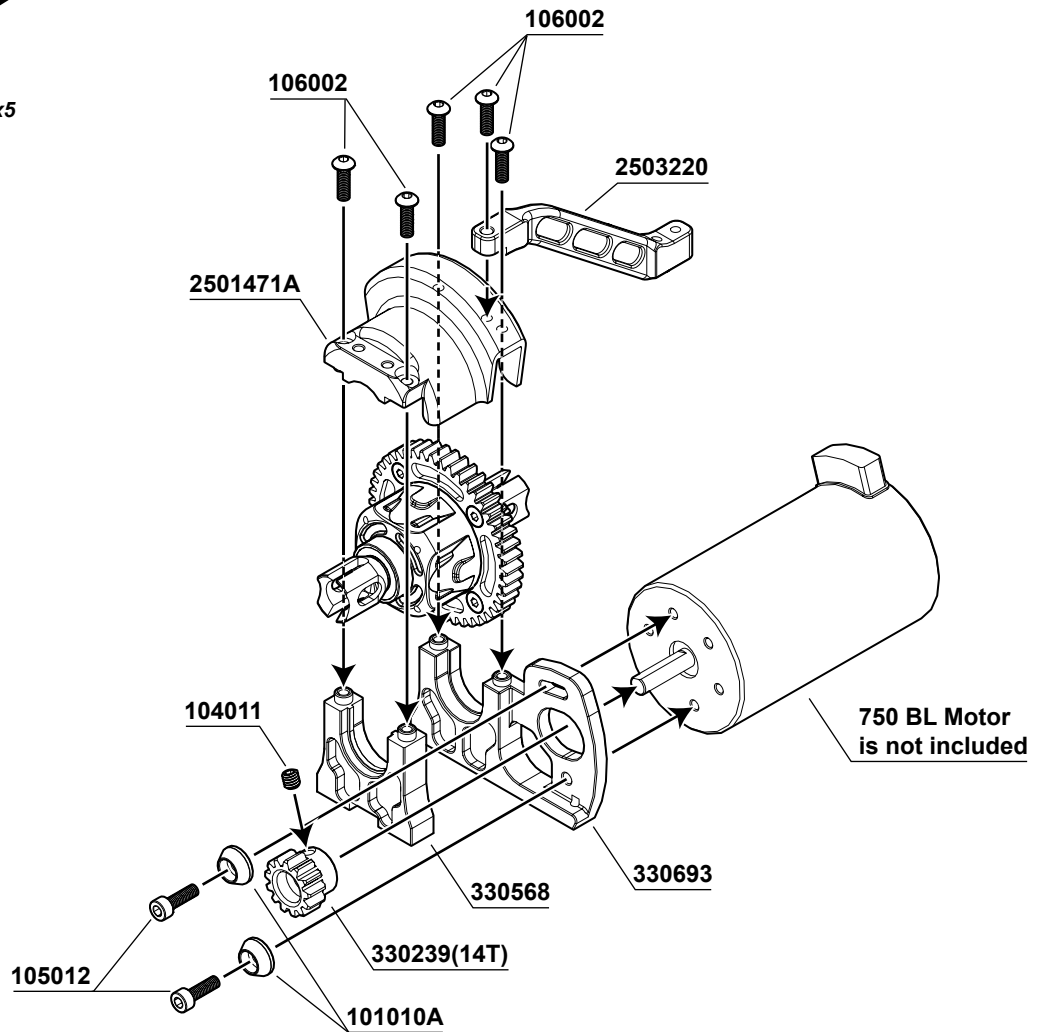
**106002**  
M3x10mm Hex Scket OH/TP Screw x5



**104011**  
M4x4mm Set Screw (Flat Bottom) x1



**105012**  
M4x4mm Set Screw (Flat Bottom) x2

**32**

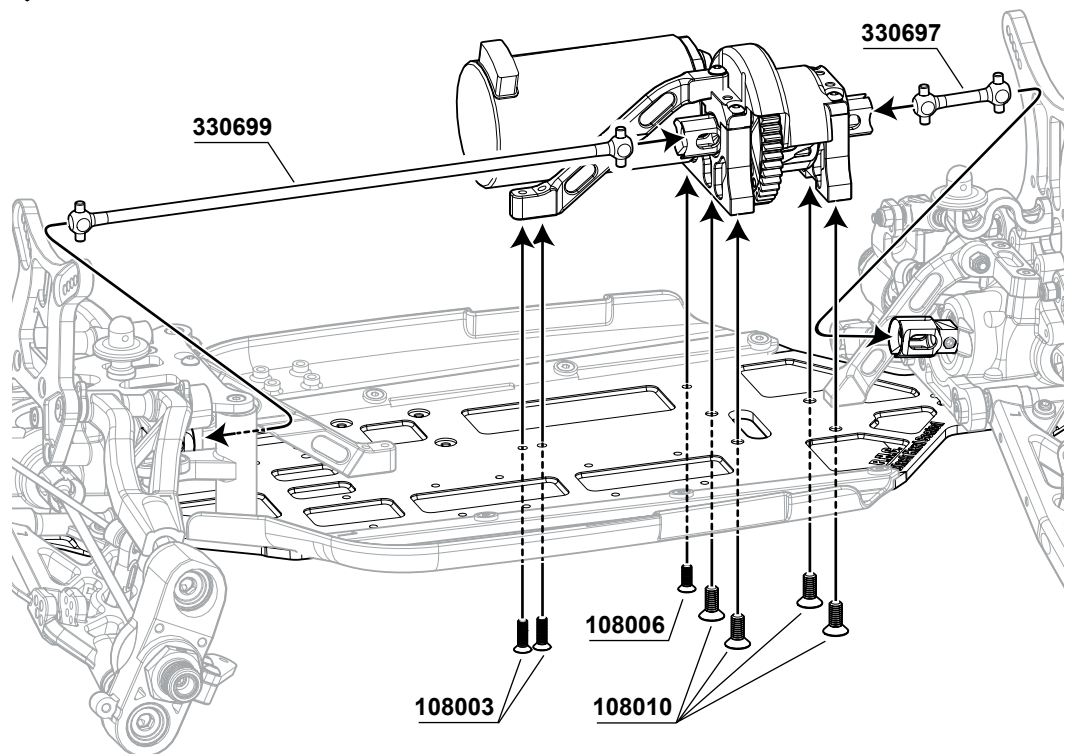
**108006**  
M3x8mm FH/ST HEX Screw x1



**108003**  
M3x10mm FH/ST HEX Screw x2



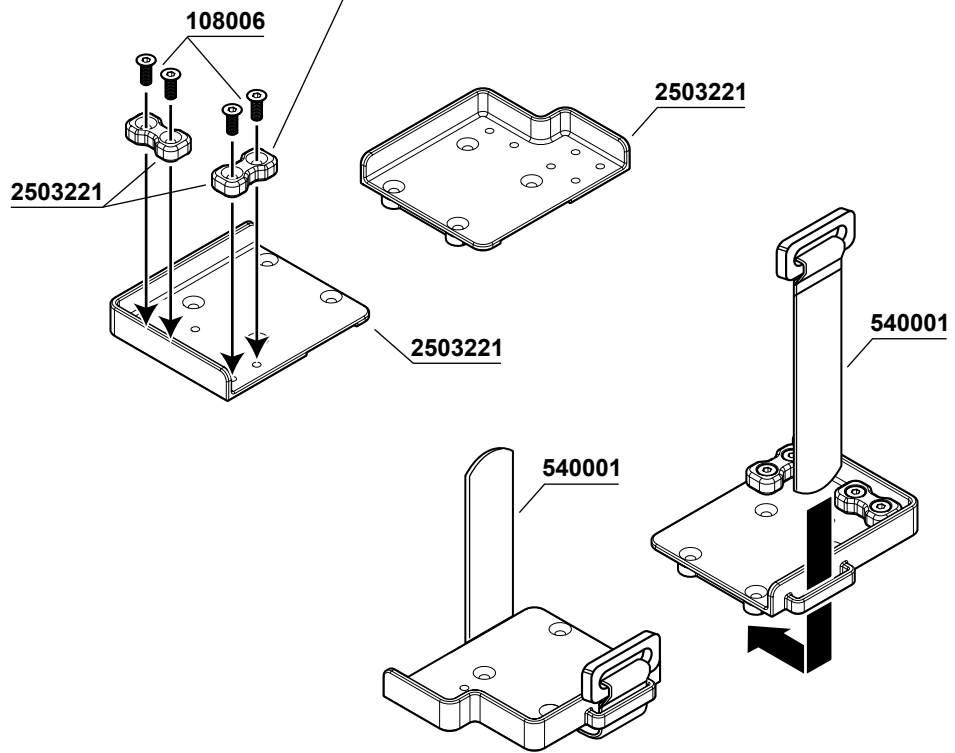
**108010**  
M4x10mm FH/ST HEX Screw x4



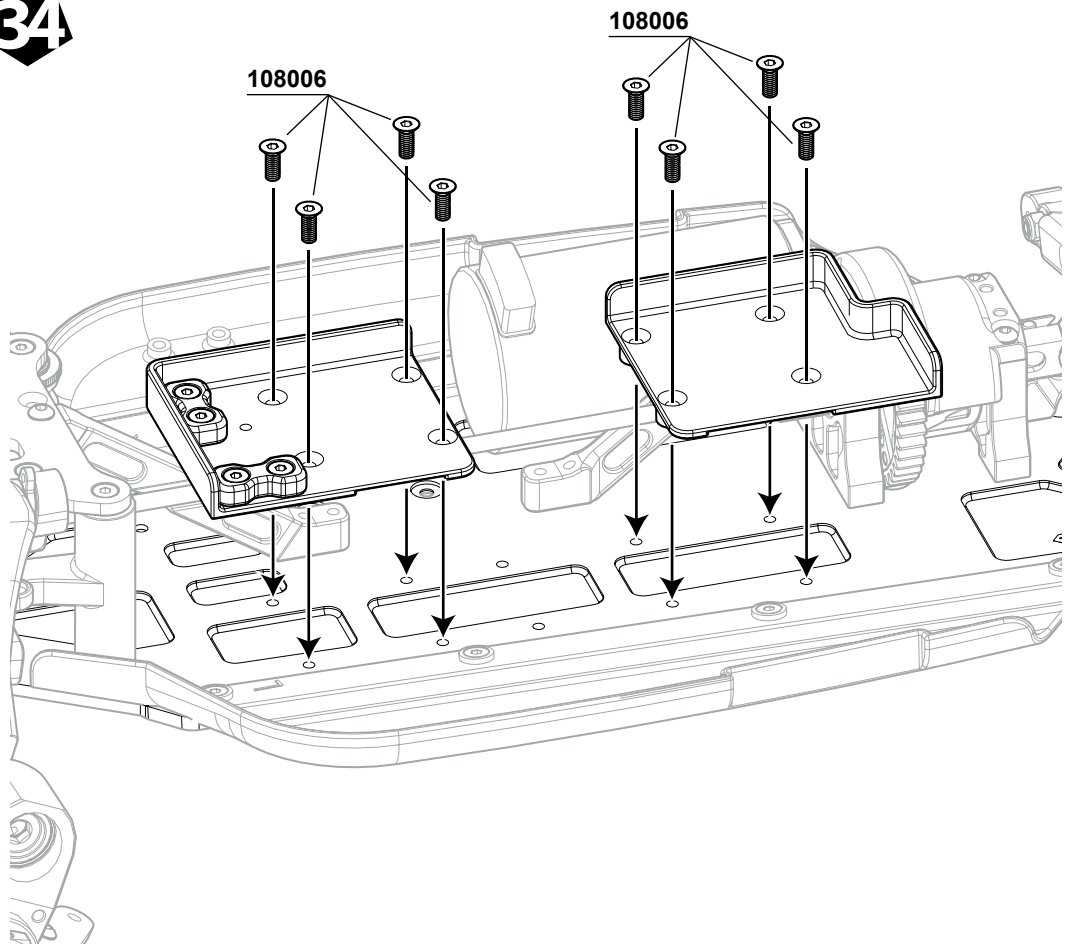


108006  
M3x8mm FH/ST HEX Screw x8

The 2503221 Battery Stoper must be suit for different Lipo Battery style.



108006  
M3x8mm FH/ST HEX Screw x8





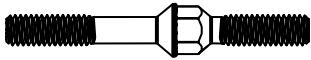
**BAG E**

**35**

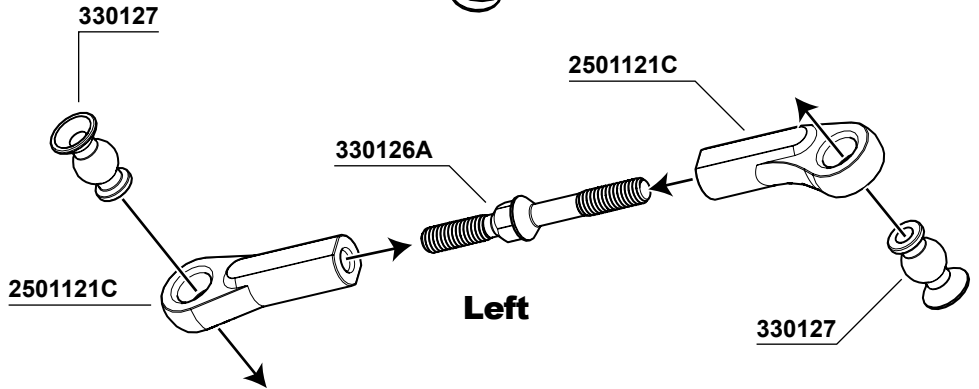


**x2**

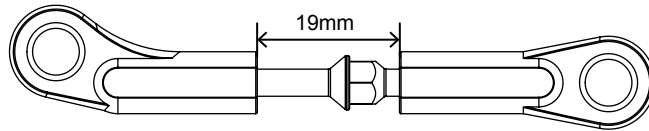
**BAG M1**



330126A  
Steering Turnbuckle x2



**1:1**



103001  
M3 Nut Lock x4

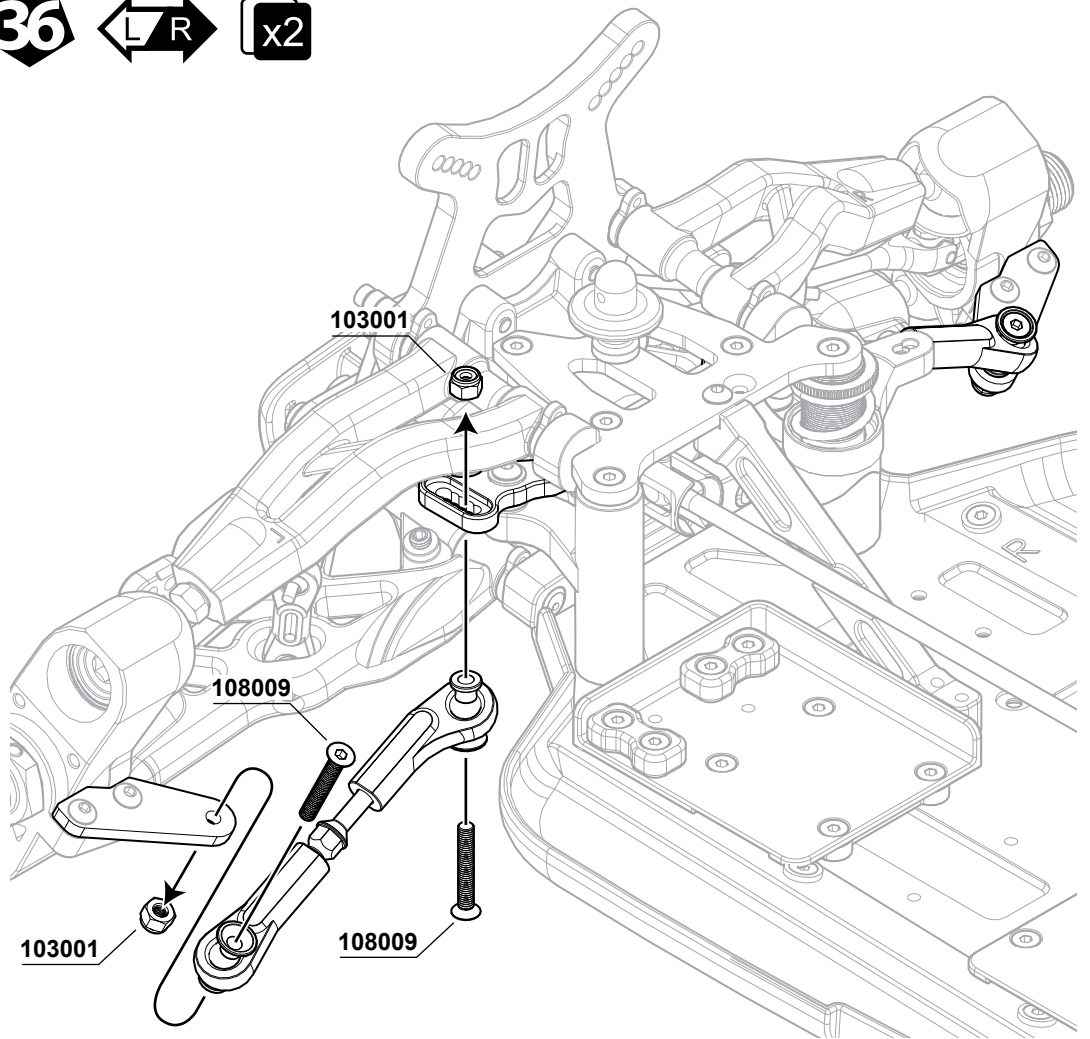


108009  
M3x20mm FH/ST HEX Screw x4

**36**



**x2**



**37**



**104009**  
M3x18mm Set Screw x1



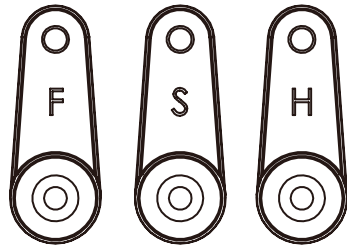
**106001**  
M3x10mm Hex Soket OH/TP Screw x4



**108006**  
M3x8mm FH/ST HEX Screw x1

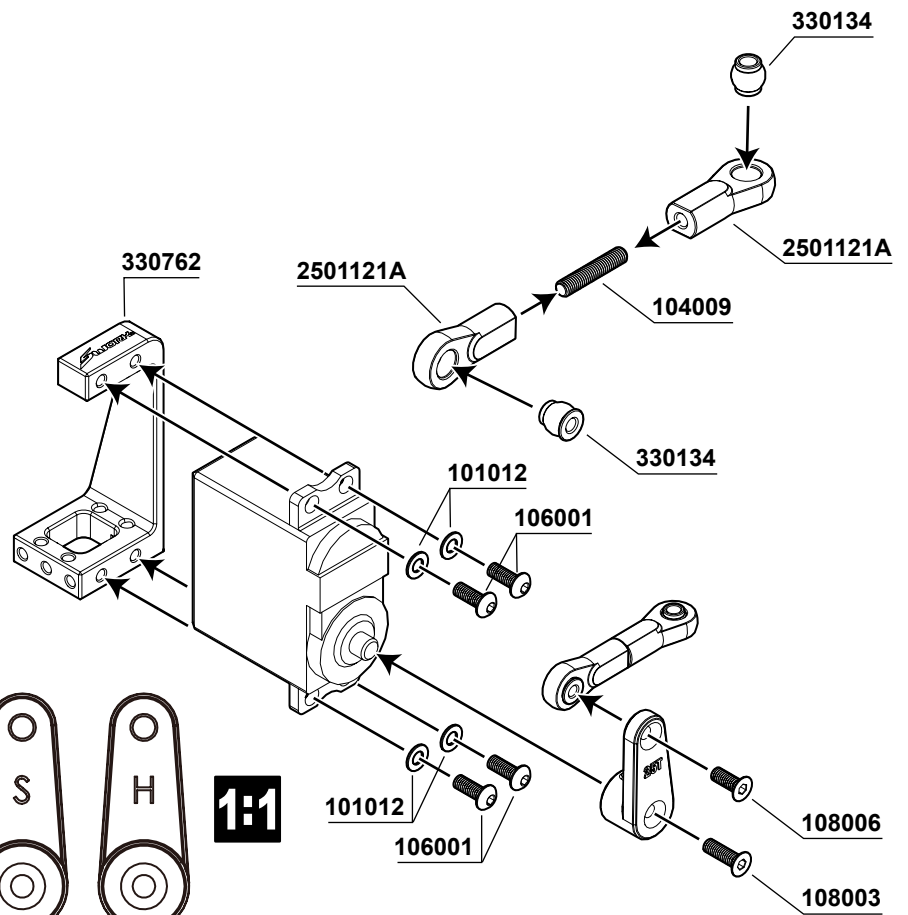


**108003**  
M3x10mm FH/ST x1



**2503221**

**1-1**



**38**



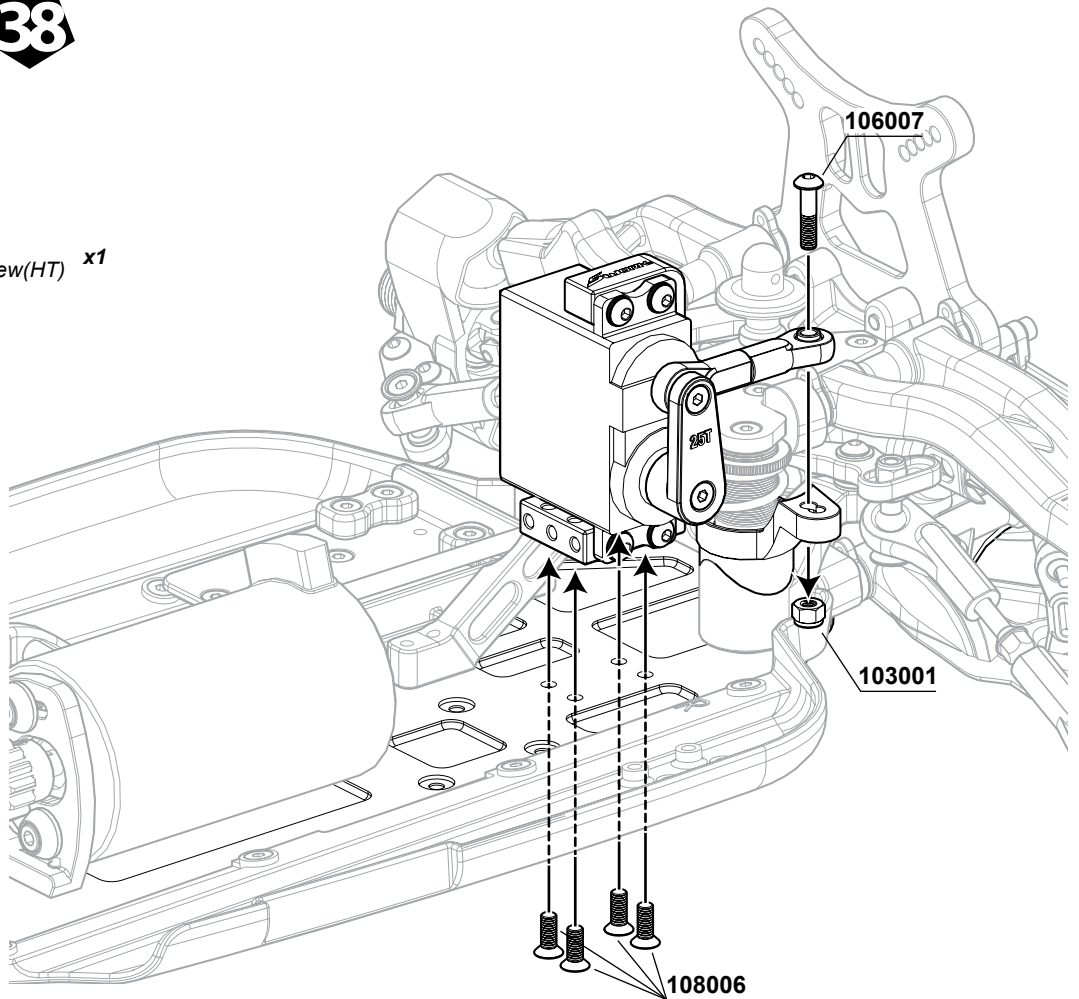
**108006**  
M3x8mm FH/ST HEX Screw x4



**106007**  
M3x12mm Hex Socket OH/TP Screw(HT) x1



**103001**  
M3xNut Lock x1

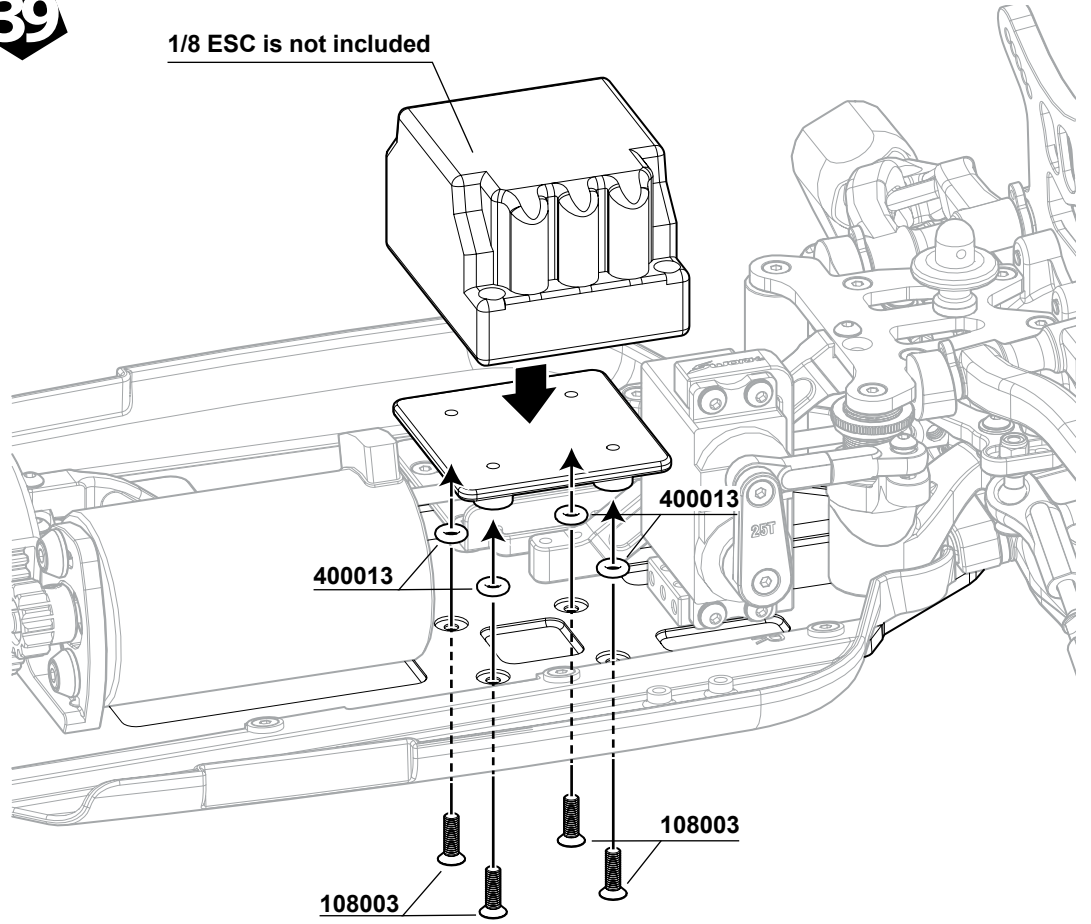




**108003**  
M3x10mm FH/ST **x4**

**39**

1/8 ESC is not included

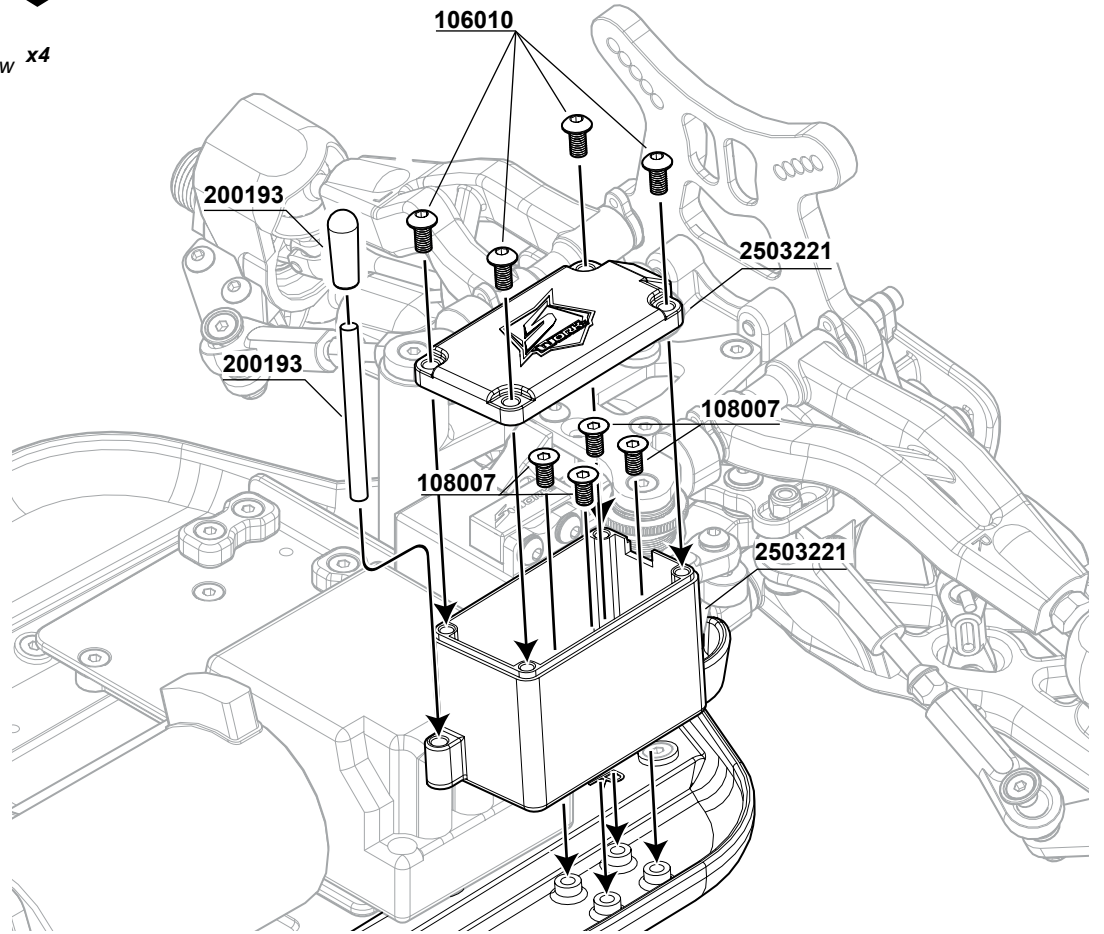


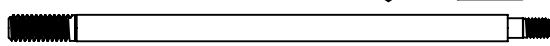
**106010**  
M3x6mm Hex Socket OH/TP Screw **x4**



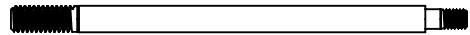
**108007**  
M3x6mm FH/ST HEX Screw **x4**

**40**





**330635(L)**  
S350 New BBS System +5.5mm Shock Shaft ( L ) x2



**330636(S)**  
S350 New BBS System +1.3mm Shock Shaft ( S ) x2



**103004**  
M2.5mm Nut Lock x4



**330567**  
Shock Seal Washer 3.5X7X1.0mm x4



**330561**  
Shock Seal Washer 3.6X7X2.5mm x8



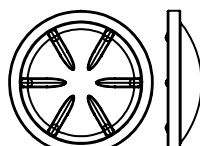
**101011**  
M2.6x6xT0.6mm x4



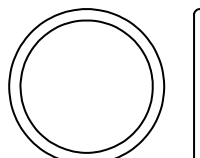
**400006**  
Shock Seal O-Ring x8



**400020**  
Shock Seal O-Ring x4



**400022**  
Shock Bladder (Medium) x4



**400019**  
Shock Spring Adjust Nut O-Ring x4

Front 330634(S)

Rear 330633(L)

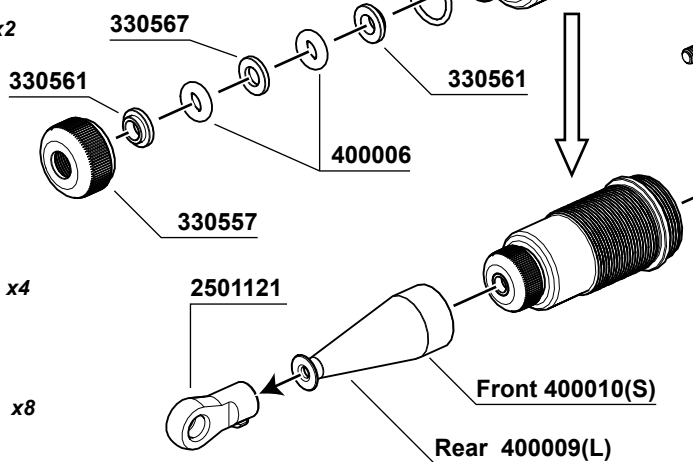
Front 330636(S)

Rear 330635(L)

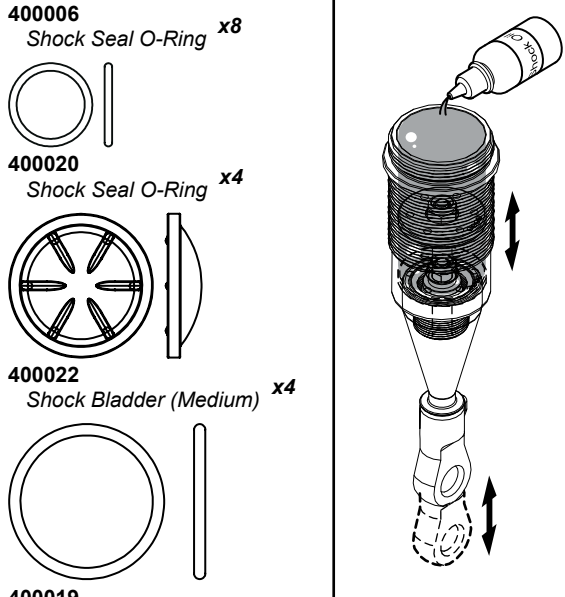
103004

330562(F)  
330563(R)

101011



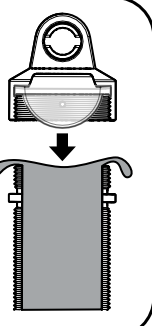
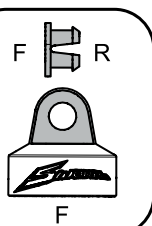
**42**



330554

2501121

400022



31~31.5 mm

40~40.5 mm

**1:1**

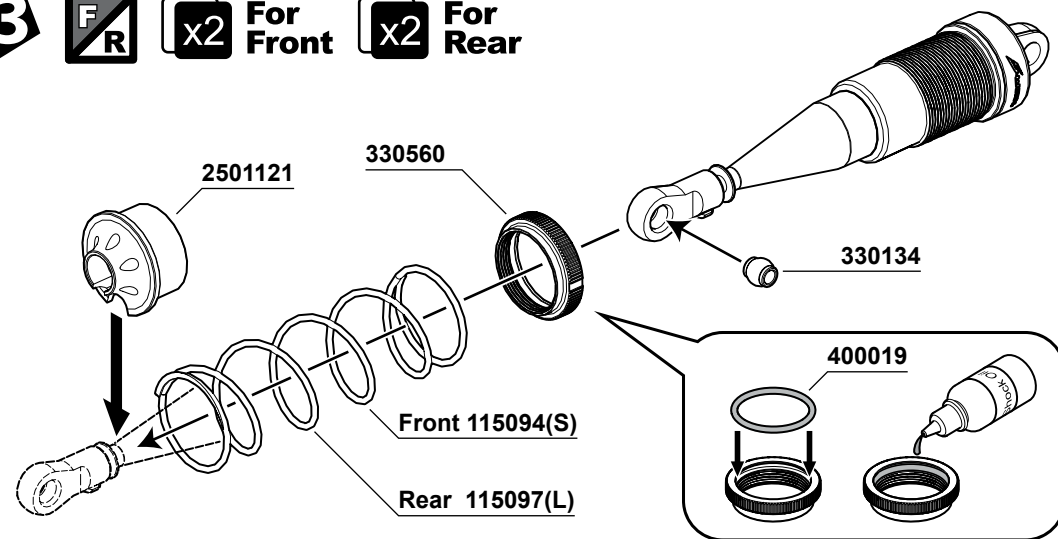
**43**



**115108(L)**  
S350 BBS Option Shock SpringB-1(90X1.4X7.5) x2



**115106(S)**  
S350 BBS Option Shock SpringA-1(75X1.4X6.5) x2



2501121

330560

330134

Front 115094(S)

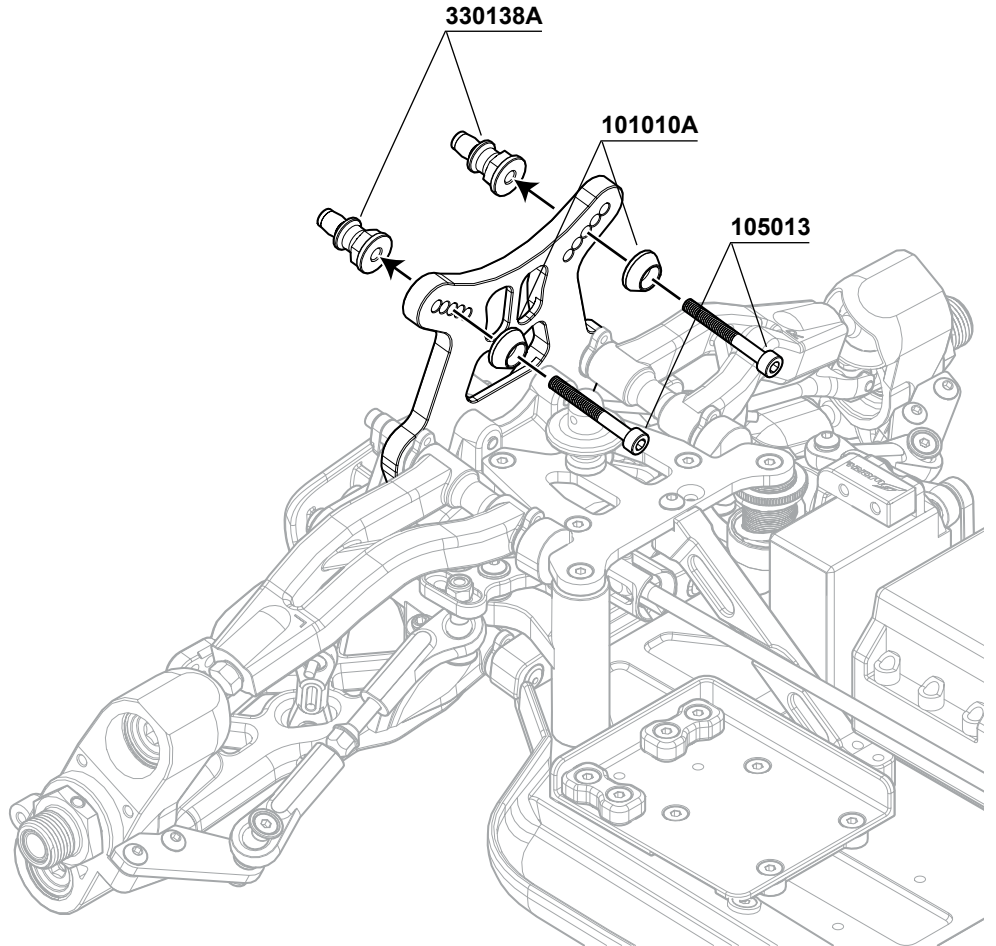
Rear 115097(L)

400019

**44**



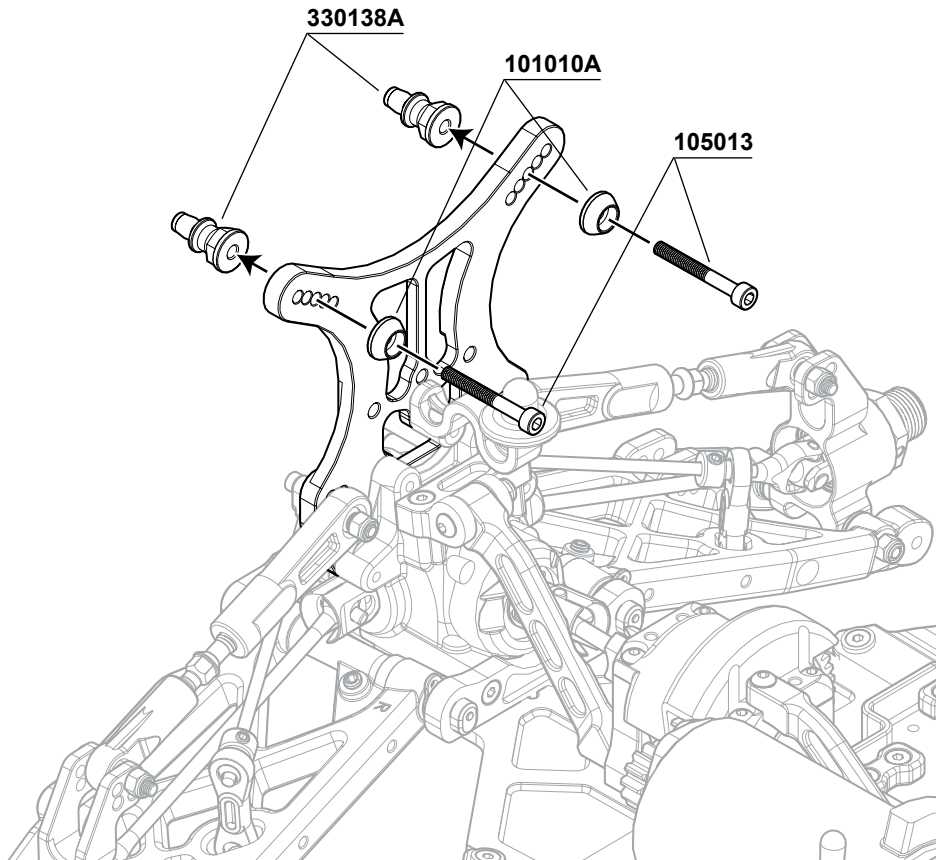
**105013**  
M3x25mm Cap Screw x2



**45**



**105013**  
M3x25mm Cap Screw x2



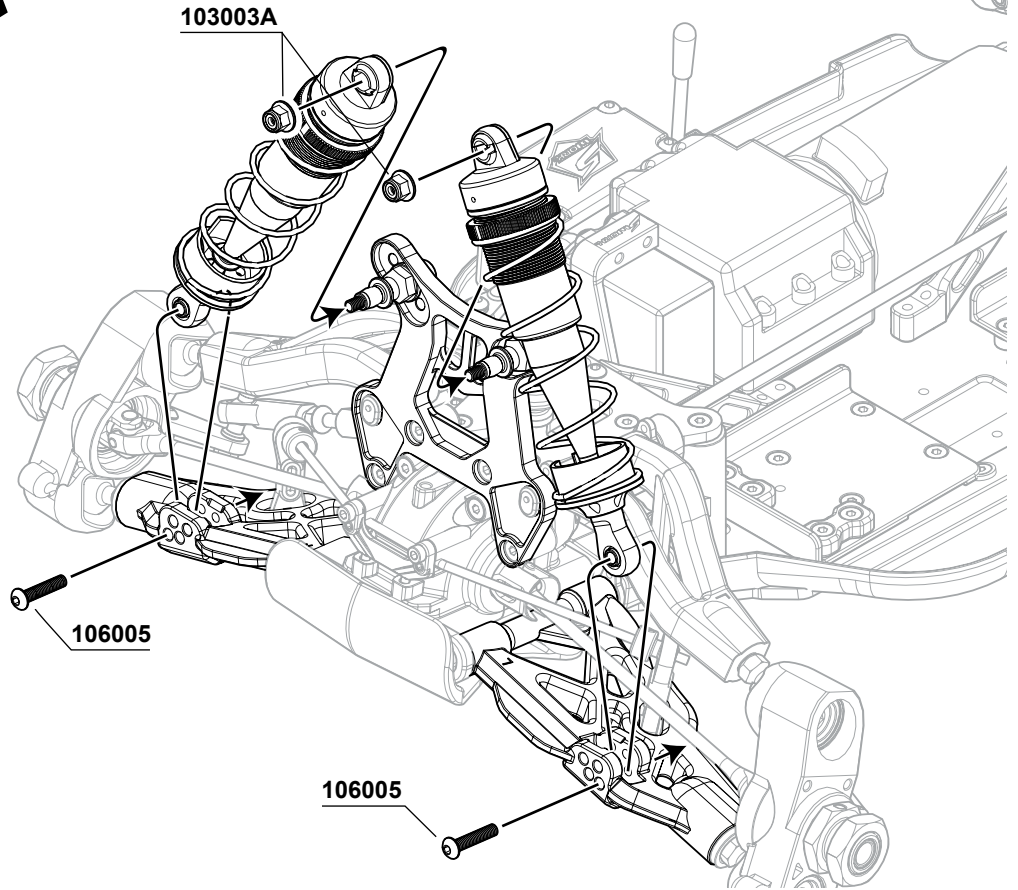


**103003A**  
Flange M3 Nut Lock **x2**



**106005**  
M3x15mm Hex Socket OH/TP Screw **x2**

**46**

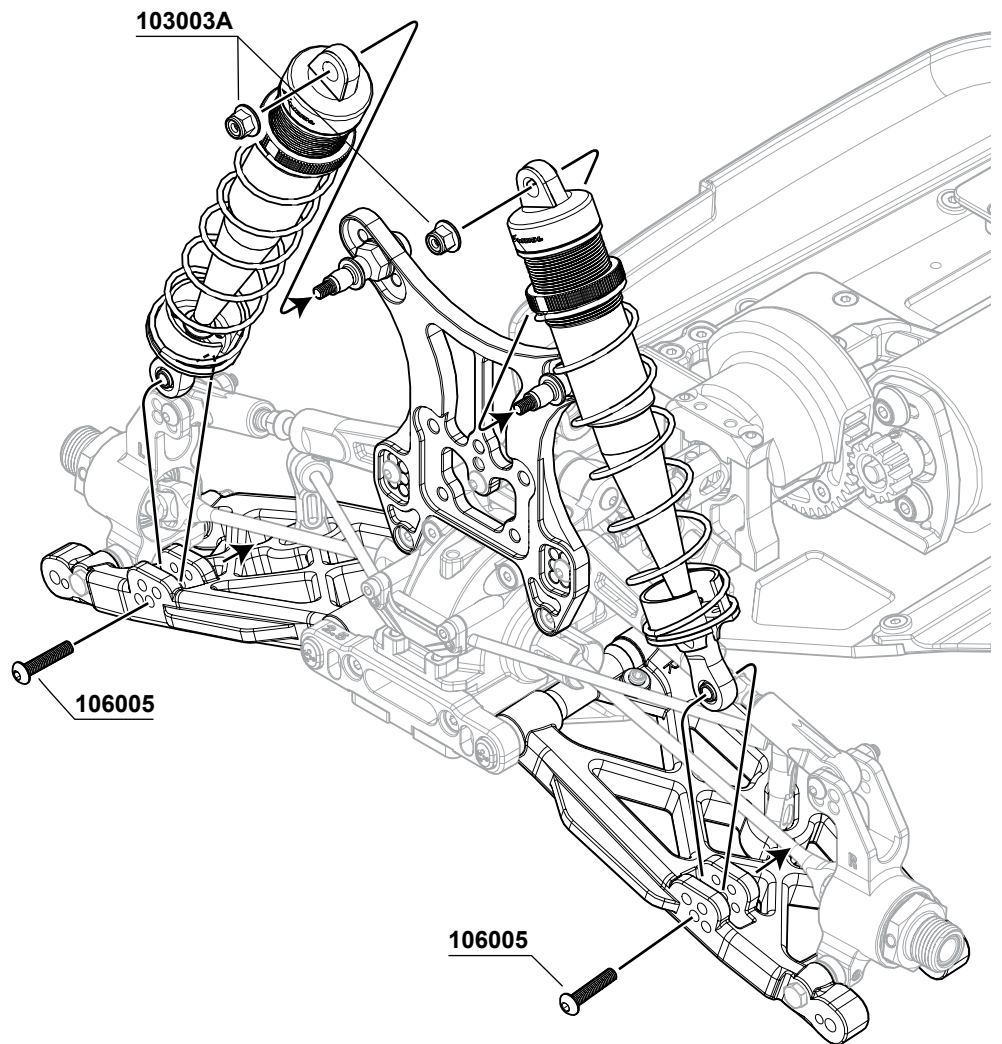


**103003A**  
Flange M3 Nut Lock **x2**



**106005**  
M3x15mm Hex Socket OH/TP Screw **x2**

**47**



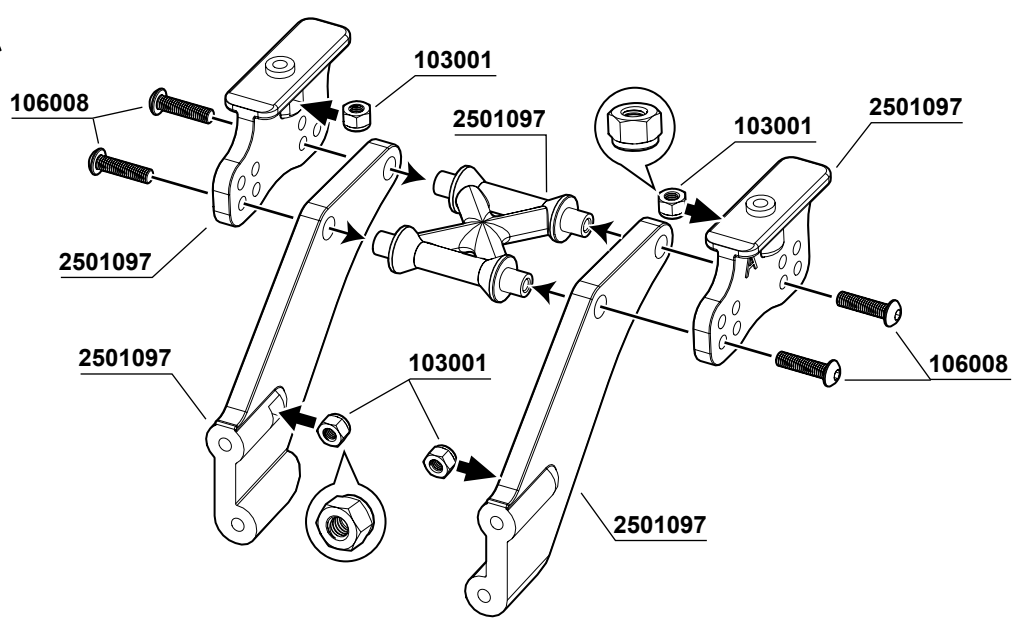


103001  
M3 Nut Lock x4



106008  
M3x12mm Hex Socket OH/TP Screw x4

48

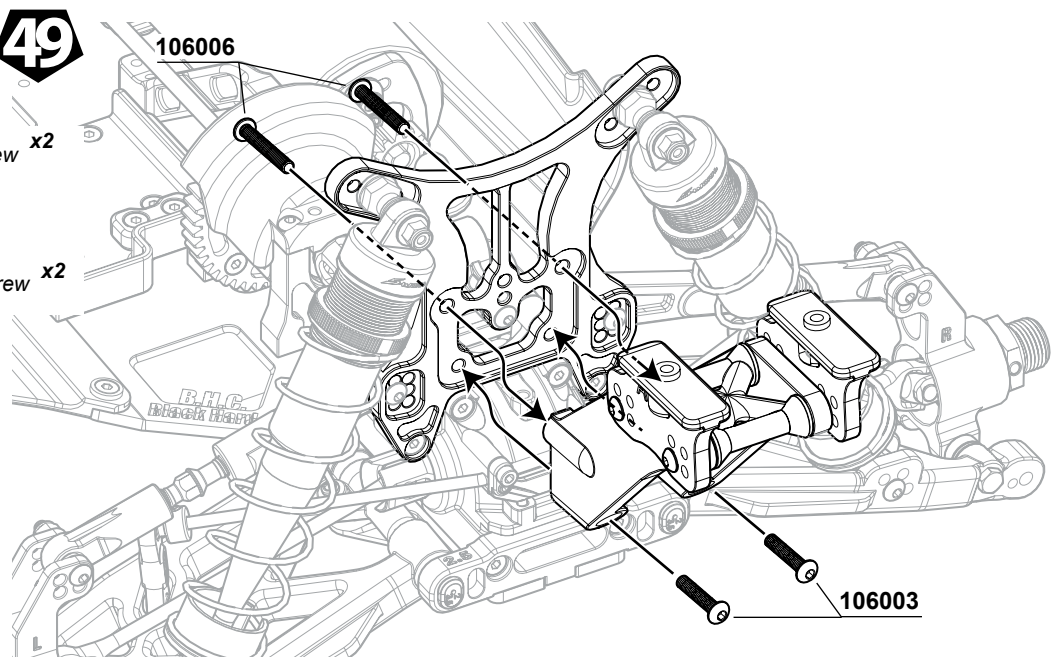


106006  
M3x20mm Hex Socket OH/TP Screw x2



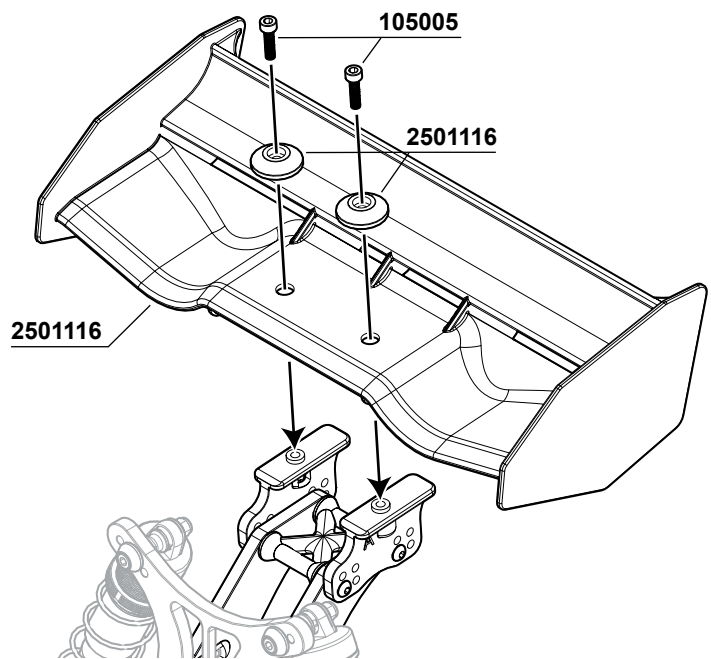
106003  
M3x16mm Hex Socket OH/TP Screw x2

49

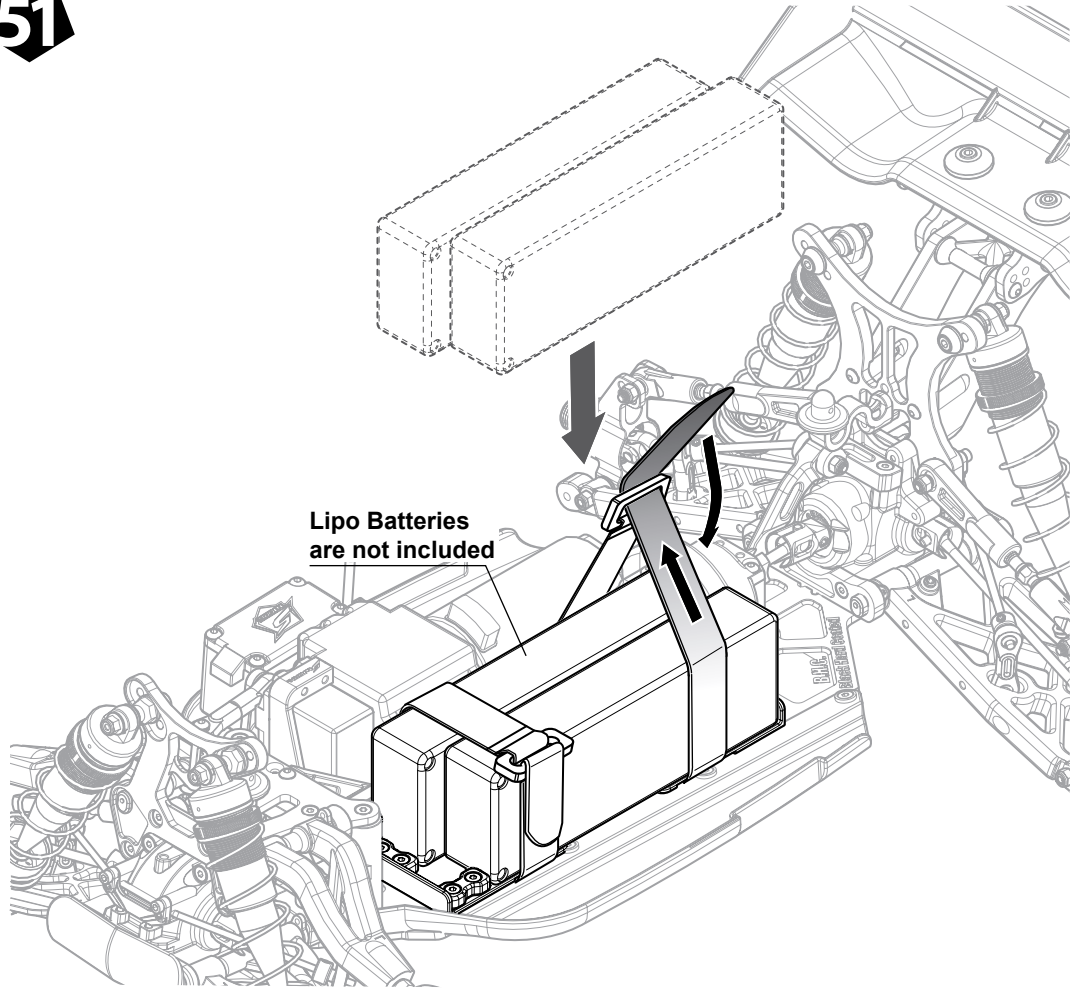


105005  
M3x12mm Cap Screw x2

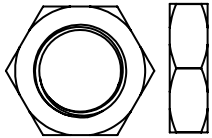
50



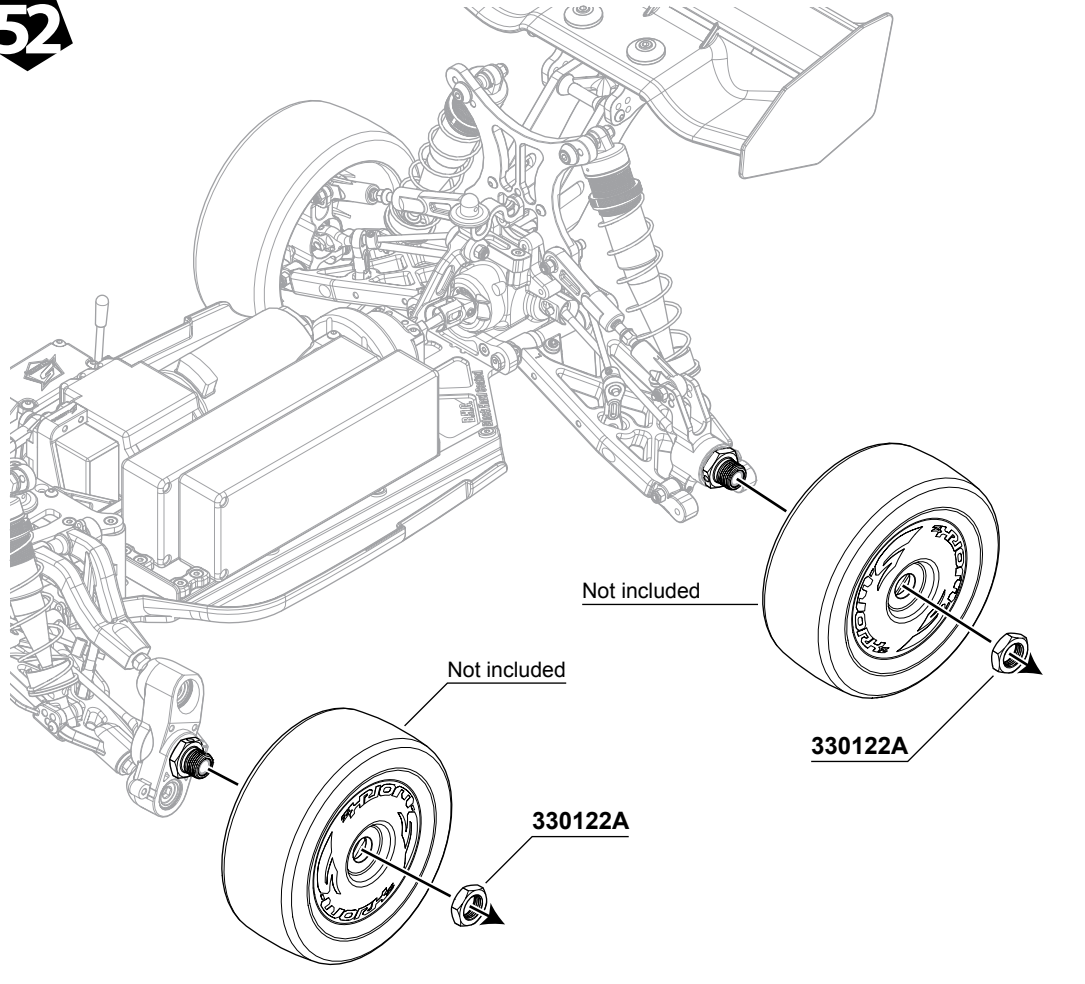
**51**



**52**



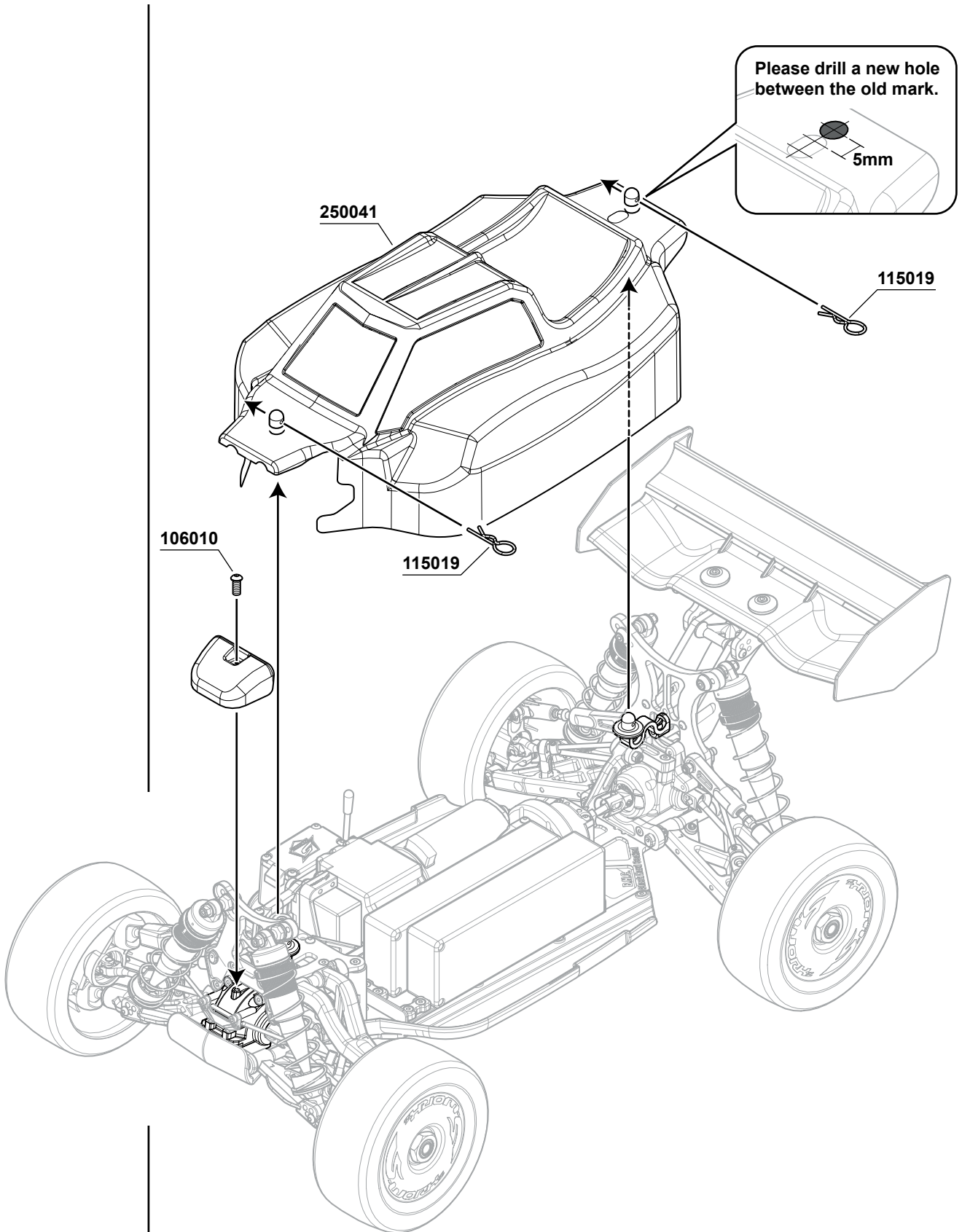
330122A  
Wheel Nut x4







106010  
M3x6mm Hex Socket OH/TP Screw x1



## S35-2E

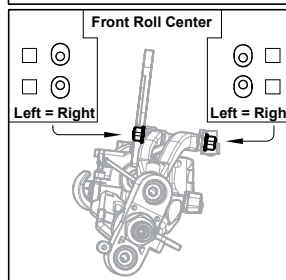
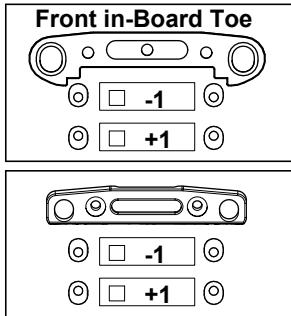
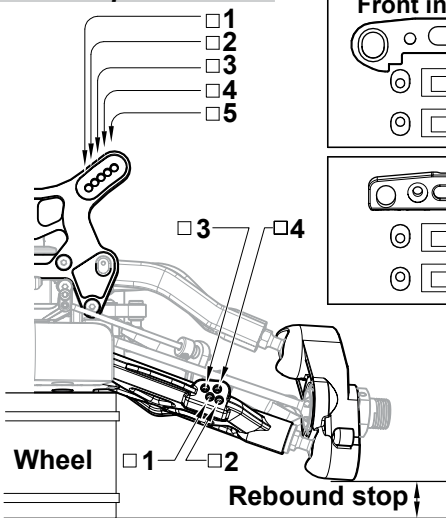
1/8 Off Road Brushless Power Pro Buggy

 Name: \_\_\_\_\_  
 Date: \_\_\_\_\_  
 Track: \_\_\_\_\_

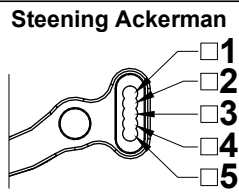
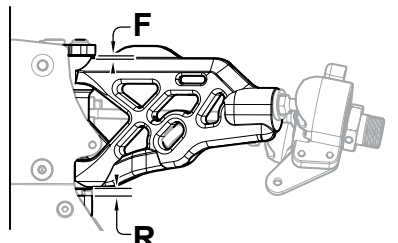
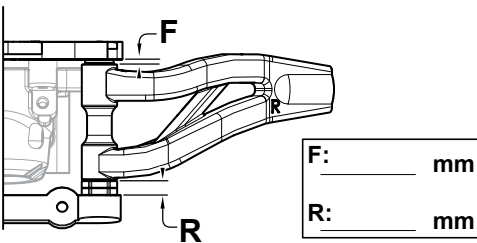
**Diff. Oil**  
 Front: # \_\_\_\_\_  
 Center: # \_\_\_\_\_  
 Rear: # \_\_\_\_\_

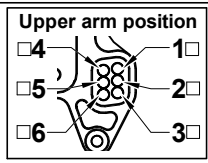
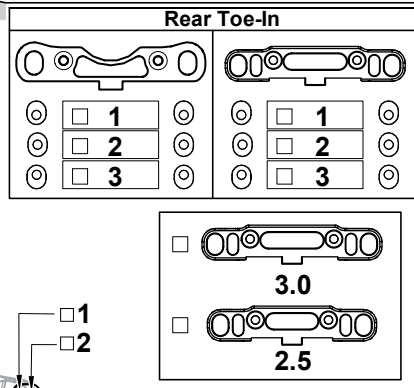
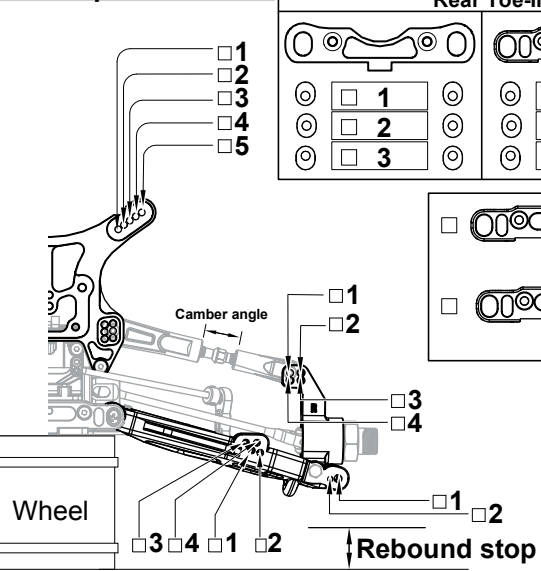
**Tire**

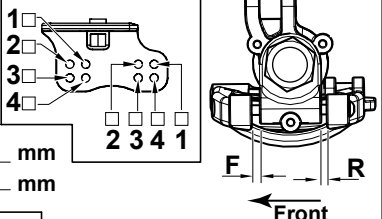
<b>Front</b>	<b>Rear</b>
Type: _____	Type: _____
Foam: _____	Foam: _____

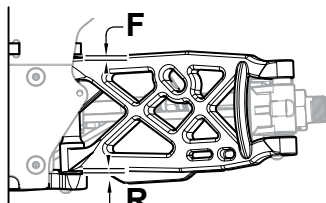
**Front Suspension**

 Track width \_\_\_\_\_ mm  
 Camber angle Upper \_\_\_\_\_ mm  
                          Lower \_\_\_\_\_ mm  
 Toe angle \_\_\_\_\_ mm  
 Rebound stop \_\_\_\_\_ mm  
 Sway bar  Use \_\_\_\_\_ mm  
                   None

**Front Shocks**

 Oil: \_\_\_\_\_  
 Pistons: \_\_\_\_\_  
 Spring: \_\_\_\_\_  
 Spacer: \_\_\_\_\_ mm

 \_\_\_\_\_ mm  
 Notes: \_\_\_\_\_  
 \_\_\_\_\_  
 \_\_\_\_\_

**Camber Angle**  
 F: \_\_\_\_\_ mm  
 L: \_\_\_\_\_ °  
 R: \_\_\_\_\_ mm  
 R: \_\_\_\_\_ °

**Rear Suspension**

 Camber angle \_\_\_\_\_ mm  
 Rebound stop \_\_\_\_\_ mm

**Wing Position**

**Rear Shocks**  
 Oil: \_\_\_\_\_  
 Pistons: \_\_\_\_\_  
 Spring: \_\_\_\_\_  
 Spacer: \_\_\_\_\_ mm

 Wheelbase F \_\_\_\_\_ mm  
                  R \_\_\_\_\_ mm  
 Sway bar  Use \_\_\_\_\_ mm  
                   None

 \_\_\_\_\_ mm  
 Notes: \_\_\_\_\_  
 \_\_\_\_\_  
 \_\_\_\_\_

## S35-2E

1/8 Off Road Brushless Power Pro Buggy

Name: _____	Diff. Oil
Date: _____	Front: # _____
Track: _____	Center: # _____
	Rear: # _____

<b>Tire</b>	
Front	Rear
Type: _____	Type: _____
Foam: _____	Foam: _____

<b>Track Conditions</b>			
Size:	<input type="checkbox"/> Open	<input type="checkbox"/> Med.	<input type="checkbox"/> Tight
Traction:	<input type="checkbox"/> High	<input type="checkbox"/> Med.	<input type="checkbox"/> Low
Surface:	<input type="checkbox"/> Smooth	<input type="checkbox"/> Med.	<input type="checkbox"/> Bumpy

<b>Electric System</b>	
ESC Type: _____	
Motor Type: _____	
Motor Gear/Spur Gear: _____	
Battery Type	A: Saddle Pack _____
	B: Shorty Pack _____

<b>Front Suspension</b>	
<input type="checkbox"/> 1 <input type="checkbox"/> 2 <input type="checkbox"/> 3 <input type="checkbox"/> 4 <input type="checkbox"/> 5	<b>Front in-Board Toe</b> <input type="checkbox"/> -1 <input type="checkbox"/> +1  <input type="checkbox"/> -1 <input type="checkbox"/> +1
Wheel <input type="checkbox"/> 1 <input type="checkbox"/> 2 Rebound stop ↓	<b>Front Shocks</b> Oil: _____ Pistons: _____ Spring: _____ Spacer: _____ mm

<b>Front Roll Center</b> <input type="checkbox"/> <input type="checkbox"/> <input type="checkbox"/> <input type="checkbox"/> Left = Right      Left = Right	Track width _____ mm Camber angle Upper _____ mm Lower _____ mm Toe angle _____ Rebound stop _____ mm Sway bar <input type="checkbox"/> Use _____ mm <input type="checkbox"/> None
--	--

	<b>Steering Ackerman</b> <input type="checkbox"/> 1 <input type="checkbox"/> 2 <input type="checkbox"/> 3 <input type="checkbox"/> 4 <input type="checkbox"/> 5 Notes: _____
F: _____ mm R: _____ mm	<b>Camber Angle</b> L: _____ ° R: _____ °

<b>Rear Suspension</b>	
<input type="checkbox"/> 1 <input type="checkbox"/> 2 <input type="checkbox"/> 3 <input type="checkbox"/> 4 <input type="checkbox"/> 5	<b>Rear Toe-In</b> <input type="checkbox"/> 1 <input type="checkbox"/> 2 <input type="checkbox"/> 3  <input type="checkbox"/> 1 <input type="checkbox"/> 2 <input type="checkbox"/> 3  <input type="checkbox"/> 3.0 <input type="checkbox"/> 2.5
	<b>Upper arm position</b> <input type="checkbox"/> 4 <input type="checkbox"/> 5 <input type="checkbox"/> 6 <input type="checkbox"/> 1 <input type="checkbox"/> 2 <input type="checkbox"/> 3
Camber angle <input type="checkbox"/> 1 <input type="checkbox"/> 2  <input type="checkbox"/> 3 <input type="checkbox"/> 4 Wheel <input type="checkbox"/> 3 <input type="checkbox"/> 4 <input type="checkbox"/> 1 <input type="checkbox"/> 2 Rebound stop ↓	<b>Wing Position</b> <input type="checkbox"/> 1 <input type="checkbox"/> 2 <input type="checkbox"/> 3 <input type="checkbox"/> 4 2 3 4 1 F ←      R Front
F: _____ mm R: _____ mm	<b>Rear Shocks</b> Oil: _____ Pistons: _____ Spring: _____ Spacer: _____ mm Sway bar <input type="checkbox"/> Use _____ mm <input type="checkbox"/> None
	Wheelbase F _____ mm adjustment R _____ mm Notes: _____

# Parts No. List

Part No.	Part Name	Q`ty in Use	Item No.	Part No.	Part Name	Q`ty in Use	Item No.
210002A	Diff Case with Matel part	3	SW-210002A	330014	Front/Rear Diff. Outdrive	4	SW-330014
2501093B	S350 EVO I/II BBS Front Lower Arm (L)	1	SW-2501093B	330015	Pin M2.2x9.9mm	6	SW-330015
	S350 EVO I/II BBS Front Lower Arm ( R )	1		330017	Center Diff. Outdrive	2	SW-330017
2501094C	S350 Series S35 Competition Rear Lower Arm ( R )	1	SW-2501094C	330086A	Front Lower Suspension Plate	1	SW-330086A
	S350 Series S35 Competition Rear Lower Arm ( L )	1		330091	Settring BellcrankPlate	1	SW-330091
2501097	Front Bumper	1	SW-2501097	330103	Front/Rear Lower Arm HingPin	4	SW-330103
	Wing Stay (L)	1		330113	Servo Saver Shaft	2	SW-330113
	Wing Stay (R)	1		330114A	S350 Sseries Servo Saver Post (HC)	1	SW-330114A
	Wing Stay Holder	1		330117A	S350 Series Knuckle Pivot Ball Washer(GM)	2	SW-330117A
	Wing Support (L)	1		330118A	S350 Series Knuckle Pivot Ball Nut(GM)	4	SW-330118A
	Wing Support (R)	1		330119	Front Upper Arm HingPin	2	SW-330119
	Rear Body Mount	1		330121B	S350 Wheel Hub(L4.5mm)(HC)	4	SW-330121B
	Front Body Mount	1		330122A	S350 Wheel Nut (HC)	4	SW-330122A
2501098A	S350 Front Steering Knuckle Set (Also for LDS) L	1	SW-2501098A	330123A	S350 EVO Rear Upper Sus. Arm Turnbuckles M5x38mm	2	SW-330123A
	S350 Front Steering Knuckle Set (Also for LDS) R	1		330124	Pin M3.0x16.8mm	4	SW-330124
2501099	R/F Insert (1 degree)	4	SW-2501099	330125	Rear Upper Sus. Arm Ball Stud	4	SW-330125
	R/F Insert (0 degree)	4		330126A	S350 EVO Steering Turnbuckle M4x40mm	2	SW-330126A
	F/F Insert (1 degree)	4		330127	Steering Linkage Ball Stud 7mm	4	SW-330127
	F/Up Insert (1 degree)	8		330134	Shock Ball Stud	12	SW-330134
	Brake Linkage Holder	4		330135A	Servo Saver Nut(GM)	1	SW-330114A
	Throttle Linkage Holder	2		330136	Sway Bar Ball Stud	4	SW-330136
	Throttle Linkage Holder (Done)	2		330138A	S350 EVO Shock Cap Stud	4	SW-330138A
	Throttle Linkage Holder (Up)	2		330155	Steering Servo Turnbuckle (M3x30mm)	2	SW-330155
2501100	Pivot Ball Cup	8	SW-2501100	330210A	S350 Aluminum Front Upper Arm Holder (GM Color)	1	SW-330210A
	Lower Arm Insert (1mm)	4		330215	S350 Sries Aluminum Front Changeable Lower Arm Holder (GM)	1	SW-330215
	Lower Arm Insert (1mm)	12		330226	S350 BK1 EVO Steering Knuckle Plate (L)	1	SW-330226
	Rear Wheel Axle Insert (1mm)	8		330227	S350 BK1 EVO Steering Knuckle Plate (R)	1	SW-330226
	Rear Wheel Axle Insert (2mm)	4		330239	BE1 Motor Gear 14T	1	SW-330239
2501113	Front Upper Arm (L)	1	SW-2501113	330241	BE1 Center Supar Gear Mount	1	SW-330241
	Front Upper Arm ( R )	1		330252	S350 BX1/BR1 Steering Knuckle Pivot Ball Turnbuckle	4	SW-330252
2501114	Gear Box (F)	2	SW-2501114	330267A	S350 EVO Aluminum Rear Lower Arm Holder (FC USE)(GM)	1	SW-330267A
	Gear Box (R)	2		330399A	S350 Series Aluminum Rear Chassis Brace Mount	1	SW-330399A
	S-Way Bar Holder	2		330401	S350 Series Rear Hub Carriers Hing Pin with Nut	2	SW-330401
	Brake Holder	2		330423A	S350 PSP System Aluminum Series Settring Bellcrank Upper (A 2H)	1	SW-330423A
	Brake Cam Insert	2		330554	S350 New BBS System Shock Cap (GM)	4	SW-330554
	Rear Shock Tower Insert	1		330557	S350 New BBS System Shock Seal Cap (GM)	4	SW-330557
2501116	S-WORKz High Done Force Wing	1	SW-2501116	330560	S350 New BBS System Shock Spring Adjust Nut	4	SW-330560
	Wing Holder	2		330561	S350 New BBS System Shock Seal Washer 3.6X7X2.5mm	8	SW-210058
2501121C	Rear Upper Arm Ball End (For Wheel Side)	2	SW-2501121C	330562	S350 New BBS System Shock Piston 1.3mmX6 Holes	2	SW-330562
	Rear Upper Arm Ball End	2		330563	S350 New BBS System Shock Piston 1.4mmX6 Holes	2	SW-330563
	Steering Ball End	2		330567	S350 New BBS System Shock Seal Washer 3.5X7X1.0mm	4	SW-210058
	Steering Ball End (For Wheel Side)	2		330486	S350 Series 13T straight pinion gear	2	SW-330486
	Shock Cap Insert	4		330487	S350 Series 43T straight crown gear	2	SW-330487
	Shock Ball End	4		330496	S350 Series Aluminum Pinion Gear Holder (5x11mm)	2	SW-330496
	Shock Spring Holder	4		330568	S350 Buggy Series Aluminum Center Diff. Mount	1	SW-330568
	Sway Bar Linkage	4		330569	S350 PSP Aluminum Throttl Linkage Arm	1	SW-330569
	Steering Linkage Ball End	2		330625	S350 Series Front Pro Shock Tower for L-BBS shocks	1	SW-330625
	Throttle Linkage Ball End	1		330626	S350 Series Rear Pro Shock Tower for L-BBS shocks	1	SW-330626
2501122	Settring Bellcrank Upper ( R )	1	SW-2501122	330632	S350 Series S35 Competition Steering Plate	1	SW-330632
	Settring Bellcrank ( R )	1		330633	S350 BBS System +5.6mm Shock Body L (HD)	2	SW-330633
	Settring Bellcrank ( L )	1		330634	S350 BBS System +5mm Shock Body S (HD)	2	SW-330634
	Rear Chassis Brace Mount	1		330635	S350 New BBS System +5.5mm Shock Shaft (L)	2	SW-330635
	Steering Servo Horn (For Futaba)	1		330636	S350 New BBS System +1.3mm Shock Shaft ( S )	2	SW-330636
	Steering Servo Horn (For S&K)	1		330651L	S350 Series S35 Competition Aluminum Rear Hub Carry (L)	1	SW-330651L
	Steering Servo Horn (For Hitec)	1		330651R	S350 Series S35 Competition Aluminum Rear Hub Carry (R)	1	SW-330651R
	Servo Mount	2		330661	S350 Series S35 Competition Center Drive Join	2	SW-330661
	Throttle Servo Horn (For Futaba)	1		330670	S35 Competition Aluminum Rear Changeable Lower Arm Holder (3.00)	1	SW-330670
	Throttle Servo Horn (For S&K)	1		330693	S35-2E Center Motor Mount	1	SW-330693
	Throttle Servo Horn (For Hitec)	1		330694	6mm Ball Stud	1	SW-330694
	Brake Servo Horn	1		330695	S35-2E Pro Chassis	1	SW-330695
2501123	Side Guard ( R )	1	SW-2501123	330697	S35-2E Rear Drive Shaft (S)	1	SW-330697
	Side Guard ( L )	1		330699	S35-2E Center Main Drive Shaft (L)	1	SW-330699
2502036	S350 Series Rear Lower Arm Plate Changeable Insert (2/3.5 Degree)	1	SW-2502036	330762	S35-2E Aluminum Steering Servo Mount	1	SW-330762
	S350 Series Rear Lower Arm Plate Changeable Insert (3 Degree)	4		420010	Antenna Cup	1	SW-420010
	S350 Series Rear Changeable Plastic Lower Arm Plate	4		400022	S350 New BBS System Shock Bladder (Medium)	4	SW-400022
	S350 Sries Aluminum Front Changeable Lower Arm Holder Insert (0-1 Degree)	8		400020	S350 New BBS System Shock Seal O-Ring	4	SW-400020
200583	S350 Series C35 Performance Rear Up-arm Linkage Ball End (Inside)	2	SW-200583	400019	S350 New BBS System Shock Spring Adjust Nut O-Ring	4	SW-400019
2501469	BE1 Supar Gear 45T Plastic	1	SW-2501469	400010	Shock Boot (S)	2	SW-400010
	BE1 Supar Gear 46T Plastic	1		400009	Shock Boot (L)	2	SW-400009
	BE1 Supar Gear 47T Plastic	1		400006	shock seal O-Ring	4	SW-400006
2501471A	S35-2E Center Diff Mount Cover	1	SW-2501471A	400005	Shock Spring Adjust Nut O-Ring	4	SW-400005
2503220	S35-2E Front Chassis Brace (Plastic)	1	SW-2503220	400002	O-ring S5 4.8X1.5	6	SW-400002
	S35-2E Center Diff Mount Chassis Brace (Plastic)	1		510063	S350 Falcon 2 Clean Body Shell Window Mask	1	SW-250041
	S35-2E Raer Chassis Brace (Plastic)	1		510069	S35-2E Body Decal Sheet	1	SW-250041
2503221	S35-2E Battery Case (F)	1	SW-2503221	540001	Hook & Loop strap 2x22.5cm	4	SW-540001
	S35-2E Battery Case (R)	1		610002	Diff. Gasket (0.5T)	3	SW-610002
	S35-2E Steering Servo Horn (For 25T)	1		117003	Flange Ball Bearing 3x6x2.5mm	6	SW-117003
	S35-2E Steering Servo Horn (For 24T)	1		116016	Ball Bearing 5x11x4mm	4	SW-116016
	S35-2E Steering Servo Horn (For 23T)	1		116010	Ball Bearing 5x10x4mm	2	SW-116010
	S35-2E Receiver Box Bottom Case	1		116006	Ball Bearing 8x16x5mm	14	SW-116006
	S35-2E Receiver Box Cover	1		116004	Ball Bearing 6x10x3mm	4	SW-116004
	S35-2E Battery Holder	4		115106	S350 BBS Option Shock SpringA-1(75X1.4X6.5)	2	SW-115106
	S35-2E ESC Protection Mount	1		115108	S350 BBS Option Shock SpringB-1(90X1.4X7.5)	2	SW-115108
200193	Antenna Tube	1	SW-200193	115019	Body Clip	2	SW-115019
250041	S350 Falcon Style 2 Clean Body Shell	1	SW-250041	115006	Rear Sway Ball 2.6mm	1	SW-115006
330239	BE1 Motor Gear 14T	1	SW-330239	115007	Rear Sway Ball 3.0mm	1	SW-115007
330241	BE1 Center Supar Gear Mount	1	SW-330241	115008	Front Sway Ball 2.3mm	1	SW-115008
210046	S350 Series Universal Cross Drive Shaft Set 92.5mm	4	SW-210046	115047	Rear Sway Ball 2.5mm	1	SW-115047
320003	Diff. Bevel Gear 18T	6	SW-320003	115034	Front Sway Ball 2.1mm	1	SW-115034
320004	Diff. Bevel Gear 10T	12	SW-320004	115035	Front Sway Ball 2.2mm	1	SW-115035
330013	Bevel Gear Shaft	6	SW-330013	115004	Servo Saver Spring	1	SW-330114

## Parts No. List

Part No.	Part Name	Q`ty in Use	Item No.	Part No.	Part Name	Q`ty in Use	Item No.
108015	M3x16mm FH/ST HEX Screw	4	SW-108015				
108014	M3x3mm FH/ST HEX Screw	4	SW-108014				
108012	M4x16mm FH/ST HEX Screw	8	SW-108012				
108010	M4x10mm FH/ST HEX Screw	6	SW-108010				
108008	M3x35mm FH/ST HEX Screw	4	SW-108008				
108007	M3x6mm FH/ST HEX Screw	14	SW-108007				
108006	M3x8mm FH/ST HEX Screw	26	SW-108006				
108003	M3x10mm FH/ST HEX Screw	30	SW-108003				
108001	M3x12mm FH/ST HEX Screw	12	SW-108001				
106010	M3x6mm Hex Soket OH/TP Screw	12	SW-106010				
106008	M3x12mm Hex Soket OH/TP Screw	4	SW-106008				
106007	M3x12mm Hex Soket OH/TP Screw(HT)	3	SW-106007				
106006	M3x20mm Hex Soket OH/TP Screw	5	SW-106006				
106005	M3x15mm Hex Soket OH/TP Screw	10	SW-106005				
106003	M3x16mm Hex Soket OH/TP Screw	2	SW-106003				
106002	M3x10mm Hex Soket OH/TP Screw	12	SW-106002				
106001	M3x8mm Hex Soket OH/TP Screw	5	SW-106001				
105013	M3x25mm Cap Screw (HT)	4	SW-105013				
105012	M3x10mm Cap Screw	2	SW-105012				
105005	M3x12mm Cap Screw	2	SW-105005				
105004	M2.6x6mm Cap Screw	5	SW-105004				
104011	M4x4mm Set Screw (Flat Bottom)	3	SW-104011				
104010	M5x4mm Set Screw (Flat Bottom)	4	SW-104010				
104009	M3x16mm Set Screw	1	SW-104009				
104007	M4x8mm Set Screw	4	SW-104007				
104005	M3x4mm Set Screw	4	SW-104005				
104004	M3x3mm Set Screw	4	SW-104004				
103004	M2.5mm Nut Lock	4	SW-103004				
103001	M3 Nut Lock	19	SW-103001				
103003A	Flange M3 Nut Lock (GM)	5	SW-103003A				
101020A	3mm Countersunk Washers (RD)	2	SW-101020A				
101010A	M3 Countersunk Washer(GM)	6	SW-101010A				
101021	M3x8xT0.8mm	2	SW-101021				
101019	SHIM 6.0x10.0x0.2mm	2	SW-101019				
101018	SHIM 8.0x10.0x0.1mm	6	SW-101018				
101014	M3 Pivot Ball Bushing	1	SW-101014				
101013	3mm Spring Washer	4	SW-101013				
101012	M3x6xT0.5mm	4	SW-101012				
101011	M2.6x6xT0.6mm	4	SW-101011				
101004	Washer 3.5X10X0.2mm	12	SW-101004				

# Spare Part List

Item No.	Part Name	Item No.	Part Name
SW-330235	S350 BE1 Series Motor Gear 13T		S350 Competition Line Option Parts List
SW-330245	BE1 Motor Gear 15T	SWC-210055	S350 Series Competition LDS Drive Gear Conversion Package
SW-330246	BE1 Motor Gear 16T	SWC-330115A	S350 Series Competition Titanium Steering Knuckle Pivot Ball
SW-330247	BE1 Motor Gear 17T		Tumbuckle
SW-2501116A	S-WORKz High Done Force Wing Set (BK)	SWC-116016A	SWORKz Competition 5x11x4mm Ball Bearing (Metal Case/ Japan)
SW-2501116AFY	S-WORKz High Done Force Wing Set (FY)	SWC-116006B	SWORKz Competition 8x16x5mm Ball Bearing (Metal Case/ Japan)
SW-2501116AWH	S-WORKz High Done Force Wing Set (WH)	SWC-115107	S350 Competition Shock Spring A-2 (75X1.4X7.25)(Red)
SW-2501118	S350 Wheel Dusty Cover Set	SWC-115109	S350 Competition Shock Spring B-2 (90X1.4X8.5)(Pink)
SW-200022WH	1/8 UFO Competition Wheel set (4pc)	SWC-115110	S350 Competition Shock Spring C-1 (75X1.5X7.75)(SkyBlue)
SW-200022FY	1/8 UFO Competition Wheel set (FY) (4pc)	SWC-115118	S350 Competition Shock Spring E-3 (90X1.5X8.5)(Blue)
SW-330243	SWORKz 3x18mm Shock Hex Screw Set (Anti-Clockwise)		
SW-330115	Steering Knuckle Pivot Ball Tumbuckle		
SW-330116	14mm Knuckle Pivot Ball		
SW-116012A	High Performance Rubber Cover Ball Bearing 15x21x4mm (8pc)		
SW-116006A	High Performance Rubber Cover Ball Bearing 8x16x5mm (10pc)		
SW-330424	S350 Series Aluminum Wing Holder		
SW-330266	S350 Series Aluminum Changable Rear Lower Arm Plate (FC USE)		
SW-330420	S350 Series Knuckle Pivot Ball Balance Nut (5.5g) (2pc)		
SW-330421	S350 Series Front Wheel Hub Balance Weight (10g)(L)		
SW-330422	S350 Series Front Wheel Hub Balance Weight (10g)(R)		
SW-330474	S350 Series Rear Wheel Hub Balance Weight Lower (8g) (2pc)		
SW-330475	S350 Series Rear Wheel Hub Balance Weight Lower (5g)(2pc)		
SW-330215	S350 Sries Aluminum Front Changeable Lower Arm Holder (GM)		
SW-330398A	SWORKz S350 Series Pro Wheel Nut (GM)		
SW-210053	S350 Series LDS Cross Drive Shaft Conversion Package		
SW-210056	S350 series BBS Pro Shock System Front Set		
SW-210057	S350 series BBS Pro Shock System Rear Set		
SW-330507	S350 Series BBS Lightened 7075 Front Shock Tower (Lower Position)		
SW-330508	S350 Series BBS Lightened 7075 Rear Shock Tower (Lower Position)		
SW-400021	S350 New BBS System Shock Bladder (Soft)(4pc)		
SW-210060	S350 New BBS System Shock Spring Set (Medium)(Yellow)		
SW-330564	S350 New BBS System Shock Piston 1.5mmX6 Holes(2pc)		
SW-2501113AH	S350 Series Front Upper Arm Hard Set (L&R)		
SW-2501093BH	S350 EVO I/II BBS Front Lower Arm Set (Hard)		
SW-330505	S350 Series Lightened Wheel Hub (L6.5mm)		
SW-330506	S350 Series Lightened Wheel Hub (L5.0mm)		
SW-330125A	S350 Series Aluminum Rear Upper Sus. Arm Ball Stud(4pc)		
SW-330127B	S350 Series Aluminum Steering Linkage Ball Stud 7mm(L6)(4pc)		
SW-330134A	S350 Series Aluminum Shock Ball Stud(4pc)		
SW-330136A	S350 Series Aluminum Sway Bar Ball Stud(4pc)		
SW-330507C	S350 Series BBS Lightened 7075 Front Shock Tower(+2mmup)		
SW-330508C	S350 Series BBS Lightened 7075 Rear Shock Tower(+2mmup)		
SW-330565	S350 BBS System Shock Piston 1.3mmX8 Oblique Holes (2pc)		
SW-330566	S350 BBS System Shock Piston 1.2mmX8 Oblique Holes (2pc)		
SW-330499	S350 Series Rear Sway Bar 2.7mm		
SW-330500	S350 Series Front Sway Bar 2.0mm		
SW-330138B	S350 Series Aluminum Shock Cap Stud (-1.3mm)(2PC)		
SW-330424G	S350 Series Aluminum Wing Holder (GM)		
SW-330424B	S350 Series Aluminum Wing Holder (BK)		
SW-330639	S35 Competition Aluminum Rear Changeable Lower Arm Holder (2.5D)		
SW-2501094CH	S350 Series S35 Competition Rear Lower Arm Set (Hard)		

## Option Part List

Item No.	Part Name
SW-115026	S-WORKz Tornado Clutch Spring(1.1mm)(BK)
SW-115027	S-WORKz Tornado Clutch Spring(1.2mm)(SL)
SW-115077	Tornado Clutch Spring(0.9mm)(GR)
SW-116006A	High Performance Rubber Cover Ball Bearing 8x16x5mm (10pc)
SW-116009	Ball Bearing M5x8x2.5 ZZ (4PC)
SW-116010B	High Performance Ball Bearing 5x10x4mm(coffee)(4pc)
SW-116012A	High Performance Rubber Cover Ball Bearing 15x21x4mm (8pc)
SW-210053	S350 Series LDS Cross Drive Shaft Conversion Package
SW-210055	S350 Series LDS Drive Gear Conversion Package
SW-210060	S350 New BBS System Shock Spring Set (Medium)(Yellow)
SW-210061	S350 New BBS System Shock Spring Set (Hard)(Gray)
SWC-210055	S350 Series Competition LDS Drive Gear Conversion Package
SWC-210069	S350 series BBD Competition Large Center Diff. system
SW-2501093BH	S350 EVO I/II BBS Front Lower Arm Set (Hard)
SW-2501094CH	S350 Series S35 Competition Rear Lower Arm Set (Hard)
SW-2501113AH	S350 Series Front Upper Arm Hard Set (L&R)
SW-2501126A	S350/S350T Series Option Air Filter Extension Set
SW-330090	Center Diff. Plate
SW-330115	Steering Knuckle Pivot Ball Turnbuckle
SW-330116	14mm Knuckle Pivot Ball
SW-330125A	S350 Series Aluminum Rear Upper Sus. Arm Ball Stud(4pc)
SW-330127B	S350 Series Aluminum Steering Linkage Ball Stud 7mm(L6)(4pc)
SW-330134A	S350 Series Aluminum Shock Ball Stud(4pc)
SW-330136A	S350 Series Aluminum Sway Bar Ball Stud(4pc)
SW-330138B	S350 Series Aluminum Shock Cap Stud (-1.3mm)(2PC)
SW-330152	Aluminum Rear Chassis Brace
SW-330153	Aluminum Front Chassis Brace
SW-330161	S-System Pinion Gear Holder
SW-330165	S350 45T SPUR GEAR
SW-330166	S350 SERIES 47T SPUR GEAR
SW-330202	S-WORKz Turbo Tornado Fly Wheel Set
SW-330204	S-WORKz Clutch Bell 14T
SW-330215	S350 Sries Aluminum Front Changeable Lower Arm Holder (GM)
SW-330216	S350 Series PSP Aluminum Receiver Box Cover
SW-330216G	S350 Series PSP Aluminum Receiver Box Cover(GM)
SW-330217	S350 Series PSP Aluminum Battery Box Cover
SW-330217G	S350 Series PSP Aluminum Battery Box Cover(GM)
SW-330243	SWORKz 3x18mm Shock Hex Screw Set (Anti-Clockwise)
SW-330266	S350 Series Aluminum Changable Rear Lower Arm Plate (FC USE)
SW-330398A	SWORKz S350 Series Pro Wheel Nut (GM)
SW-330420	S350 Series Knuckle Pivot Ball Balance Nut (5.5g) (2pc)
SW-330421	S350 Series Front Wheel Hub Balance Weight (10g)(L)
SW-330422	S350 Series Front Wheel Hub Balance Weight (10g)(R)
SW-330423A	S350 PSP System Aluminum Settring Bellcrank Upper (A 2H )
SW-330424	S350 Series Aluminum Wing Holder
SW-330424B	S350 Series Aluminum Wing Holder (BK)
SW-330424G	S350 Series Aluminum Wing Holder (GM)
SW-330474	S350 Series Rear Wheel Hub Balance Weight Lower (8g) (2pc)
SW-330475	S350 Series Rear Wheel Hub Balance Weight Lower (5g)(2pc)
SW-330499	S350 Series Rear Sway Bar 2.7mm
SW-330500	S350 Series Front Sway Bar 2.0mm
SW-330505	S350 Series Lightened Wheel Hub (L6.5mm)
SW-330506	S350 Series Lightened Wheel Hub (L5.0mm)
SW-330513	S350 Series Rear Aluminum Hub Carry BB Insert
SW-330564	S350 New BBS System Shock Piston 1.5mmX6 Holes(2pc)
SW-330568	S350 Buggy Series Aluminum Center Diff. Mount
SW-330639	S35 Competition Aluminum Rear Changeable Lower Arm Holder (2.5D)
SW-400021	S350 New BBS System Shock Bladder (Soft)(4pc)
SW-420026	S350/S350T Series Option Air Filter Extension Adapter
SW-510053	SWORKz Speed Logo Sticker (Standard)(BK) (2pc)
SW-510053-PBK	SWORKz Speed Logo Sticker (PushBar)( BK)(2pc)
SW-510053-PFO	SWORKz Speed Logo Sticker (PushBar)( FO)(2pc)
SW-510053-PFY	SWORKz Speed Logo Sticker (PushBar)( FY)(2pc)
SW-510053-PHA	SWORKz Speed Logo Sticker (PushBar)(Hara Edition)(2pc)
SW-510053-PWH	SWORKz Speed Logo Sticker (PushBar)(WH)(2pc)
SWC-330115A	S350 Series Competition Titanium Steering Knuckle Pivot Ball Turnbuckle

The logo for SWORKZ is rendered in a bold, italicized, sans-serif font. The letters are white with a thick black outline, giving it a three-dimensional, metallic appearance. The 'S' is particularly large and stylized, with a sharp point at its left end. The 'Z' also has a sharp point at its right end. The overall style is aggressive and sporty.

[www.sworkz.com](http://www.sworkz.com)

**Speedmaster Hobby CO., LTD.**

TEL:+886-3-538-7638

FAX:+886-3-538-7328

No.40 1F, Ruiguang St., Xiangshan Dist.,  
Hsinchu City 300, Taiwan (R.O.C.)