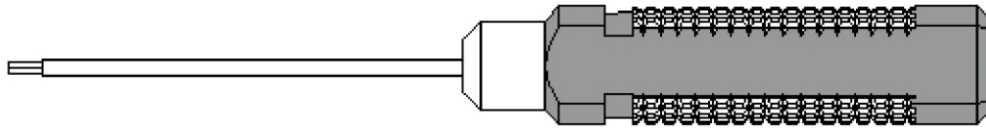




4x4 TRUCK KIT



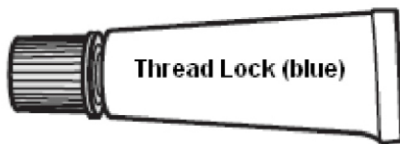
Recommended Tools



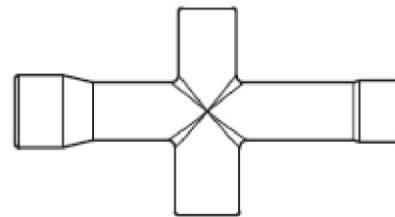
Hex Drivers (2mm, 2.5mm, 3mm, 5mm)



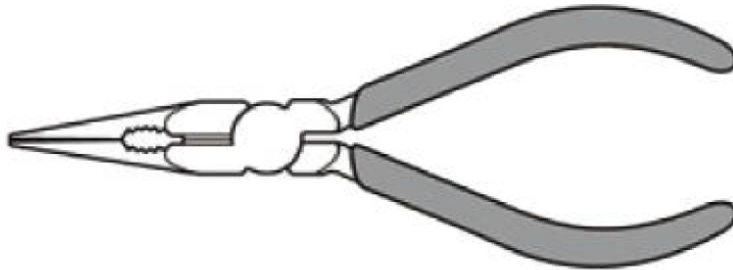
E Clip Driver (5mm ID) [May use Pliers as well]



Thread Lock



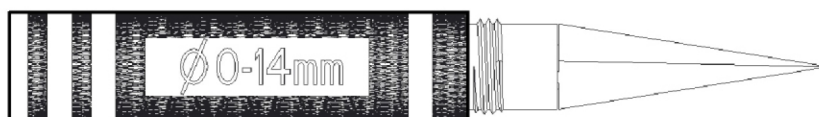
Cross Wrench



Long Nose Pliers



Hex Driver
(2.5mm)



Body Reamer

Tips for Assembly

Use good quality hex drivers to avoid stripping screw heads.

Use thread locks when putting metal screws into metal parts.

Note: Steps marked with an asterisk (*)requires thread lock.

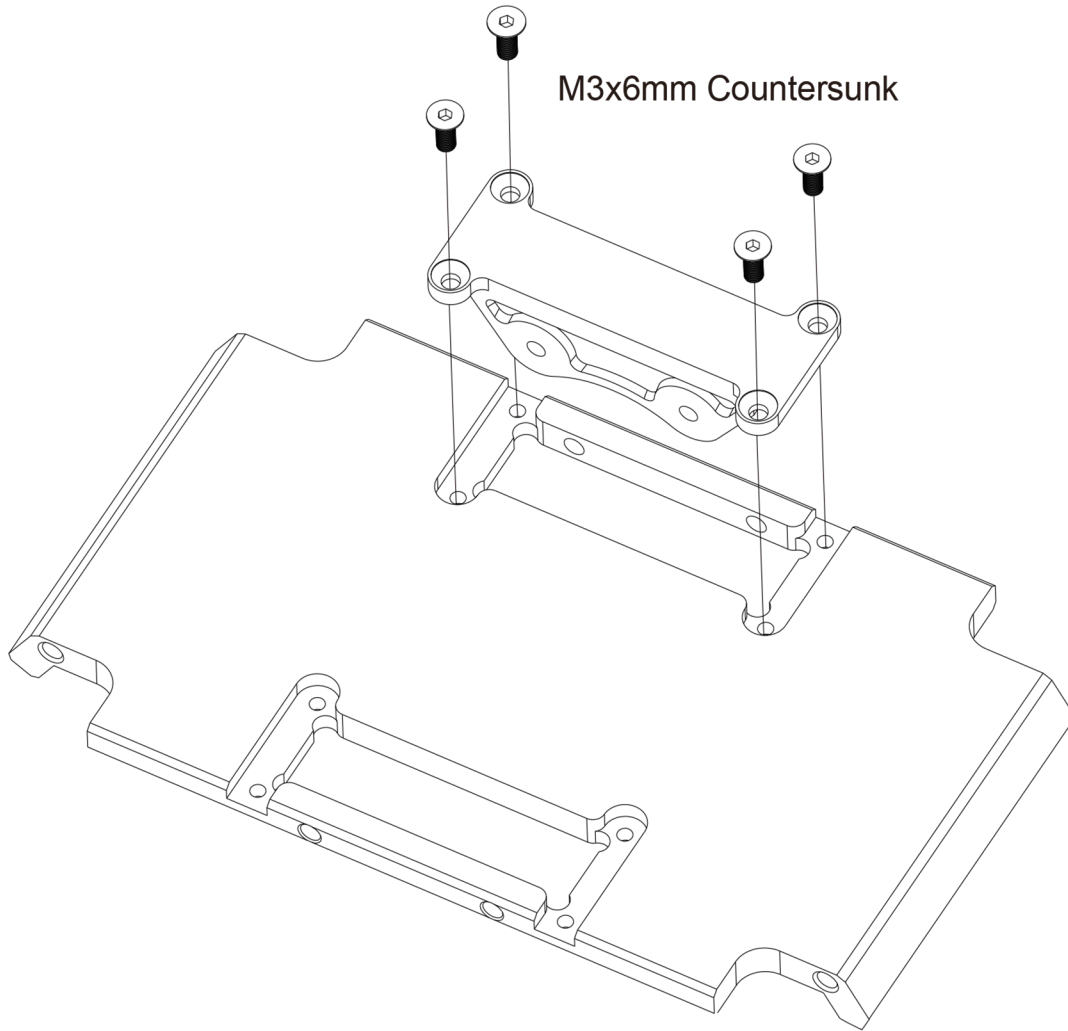
Use thread lock sparingly.

Do not over tighten screws otherwise you may strip the thread.

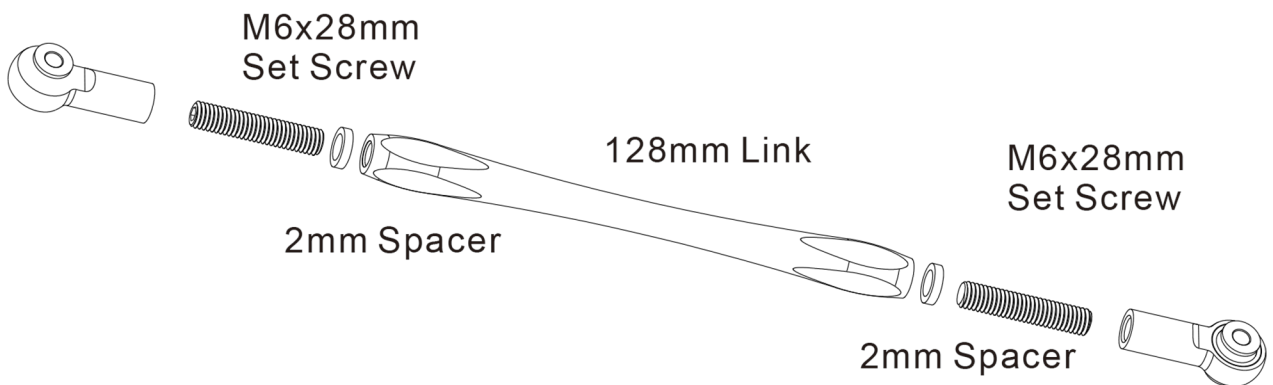
RC4WD Limited Warranty

All RC4WD products are warranted to be free of defects in materials and workmanship when new. Our limited warranty does not cover damages due to normal wear and tear, user error of assembly or installation, user modifications, user's failure to perform routine maintenance, addition of aftermarket parts or option parts. This warranty lasts as long as the original purchaser owns the product. In the event of a defect under this warranty, RC4WD will, at our discretion, replace the product, provided our inspection indicates that an original defect exists. RC4WD reserves the right to replace any product which is no longer available with a product of comparable value and function. If RC4WD determines the repair is not covered under warranty guidelines, we will contact you to discuss your options. If you have any questions, please contact us via email at support@rc4wd.com

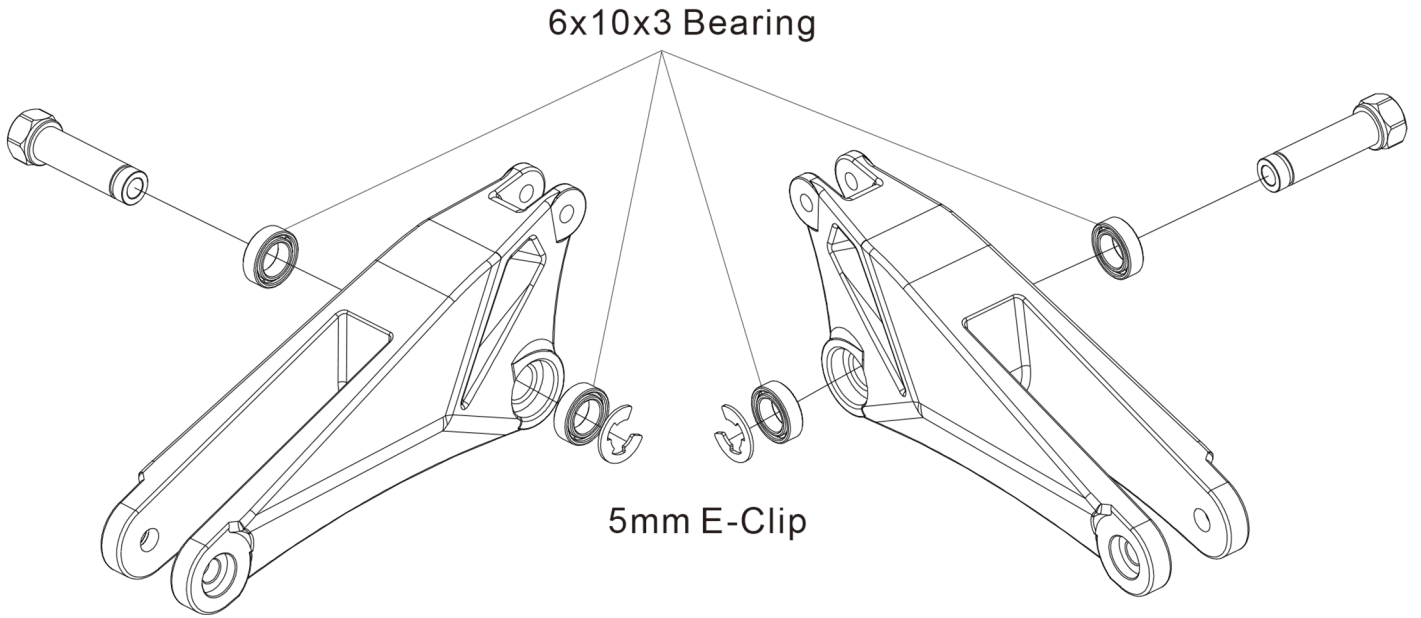
1.* Skid plate assembly.
Install both shock mounts.
(All of the hardware should be taken from Bag A/KK2.)



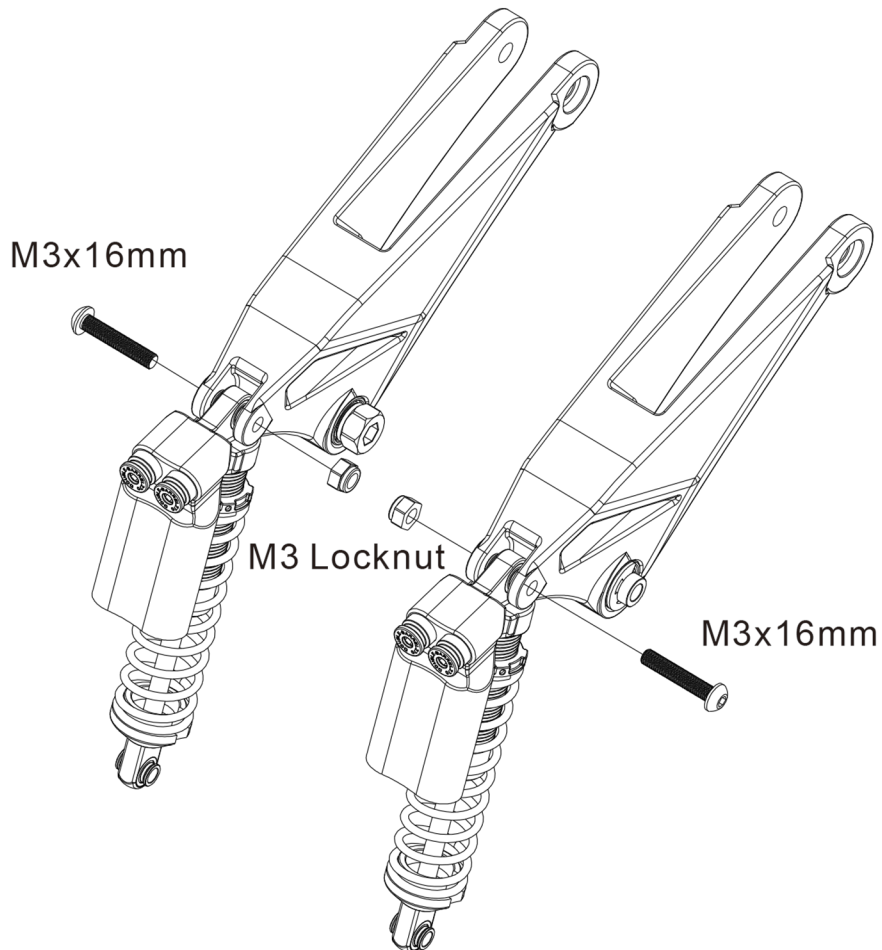
2.* Suspension links assembly.
Complete this step 8 times.
(All of the set screws can be found in Bag B/KK2.)
(All of the spacers can be found in Bag C/KK2.)



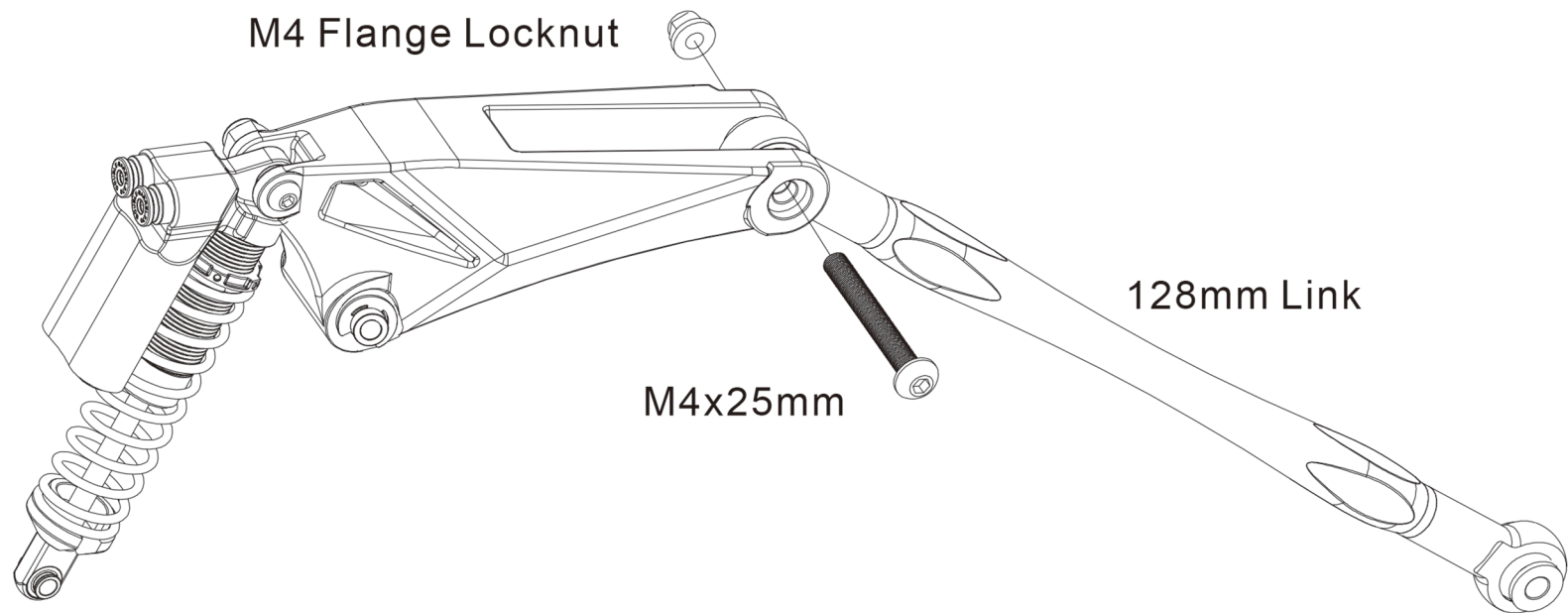
- 3. Cantilever assembly.**
Complete this step 2 times.
(Bearings can be found in bag Bag D/KK2.)
(Clips can be found in Bag E/KK2.)



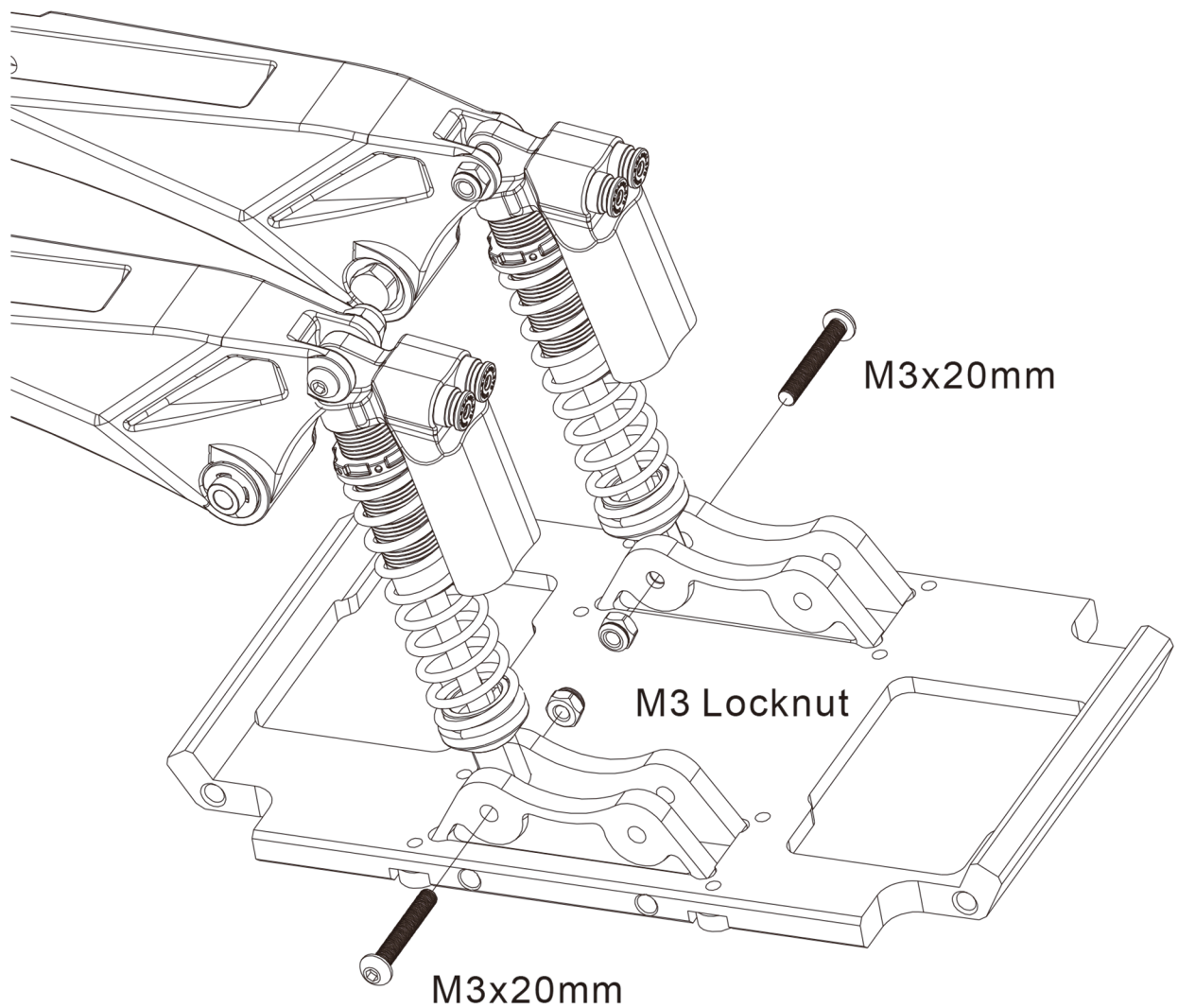
- 4. Attach shocks to cantilevers.**
Step 4 needs to be completed 2 times.



**5. Attach links to cantilevers.
Complete this step 4 times.**



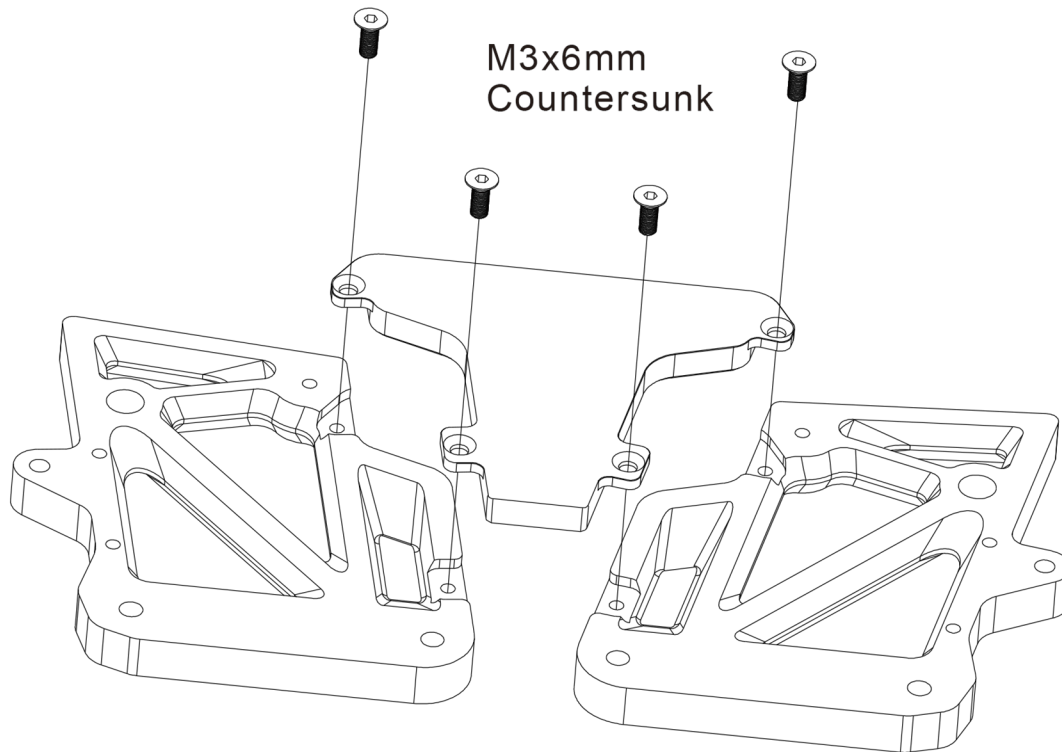
**6. Attach shocks to skid plate.
Complete this step 2 times.**



7.* Frame side assembly.

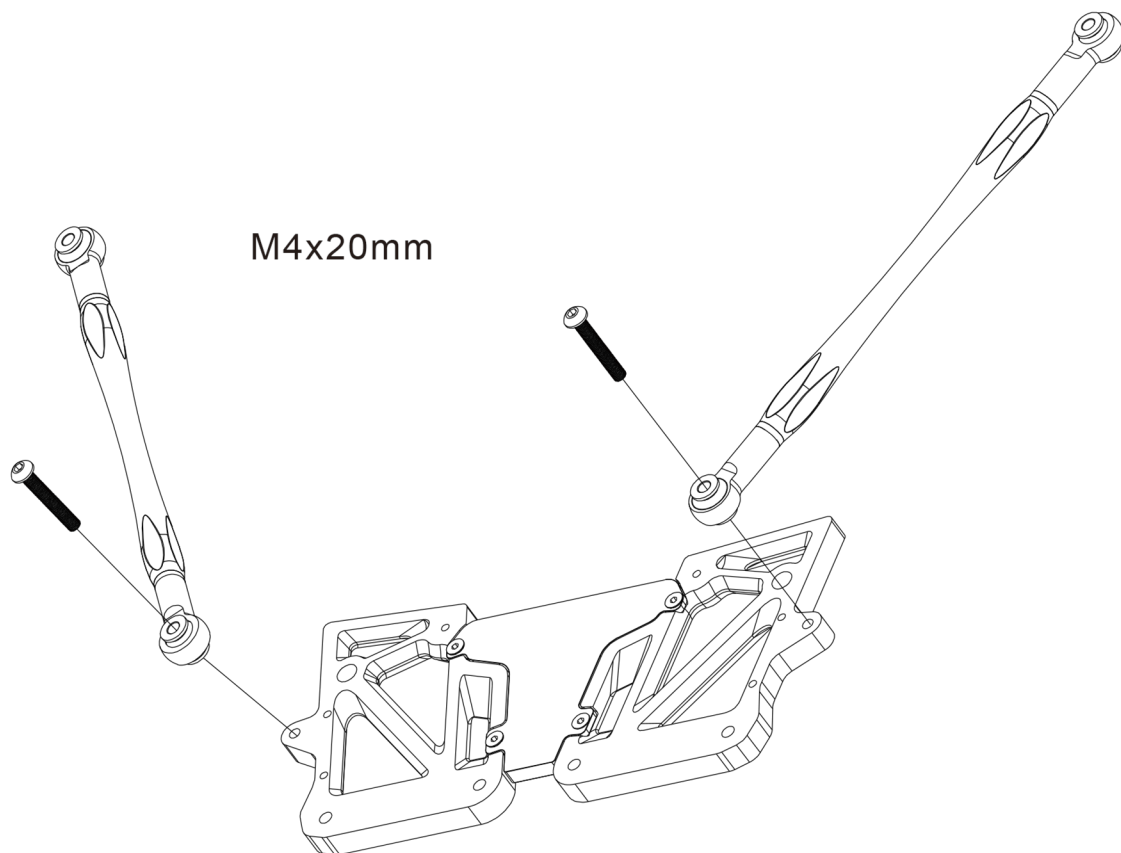
Step 7 needs to be completed for both the left side and the right side.

Both sides are the same design and will look exactly alike when completed.
Complete this step 2 times.

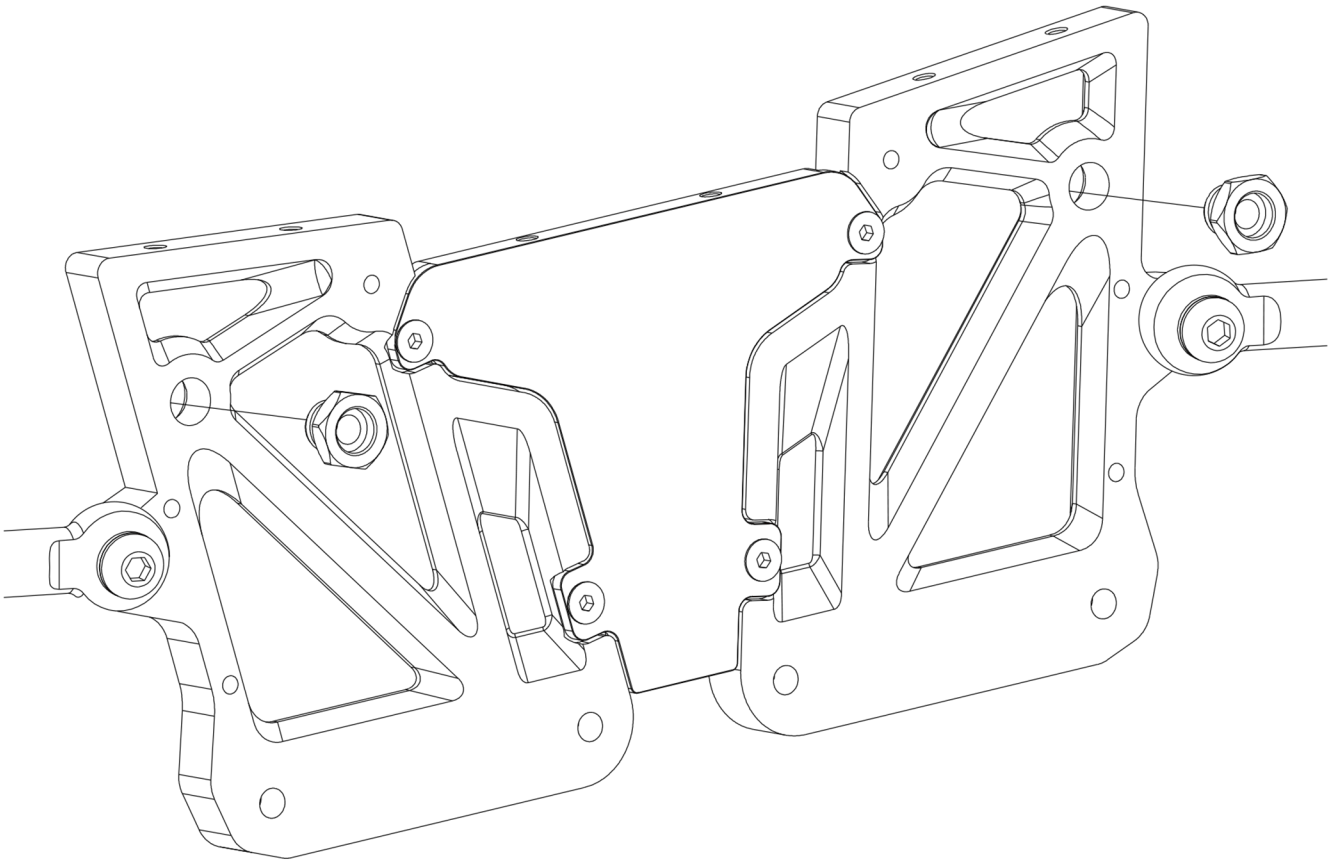


8.* Attach suspension links.

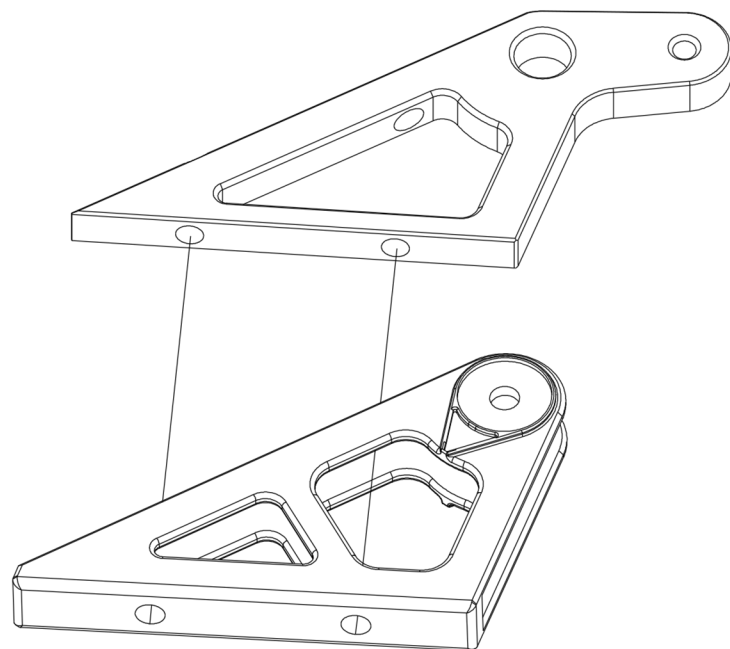
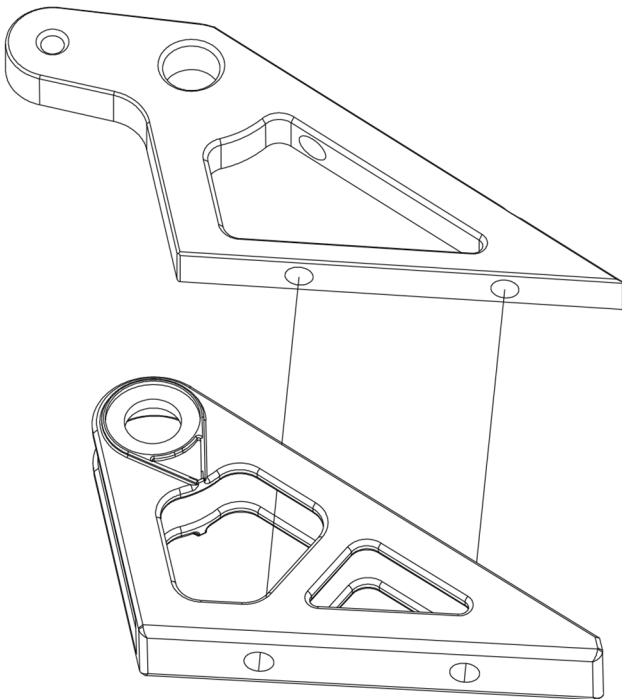
Steps 8 and 12 needs to be completed 2 times.



9.* Install inserts.
Complete this step 2 times.
Parts can be found in Bag F/KK2.



10. Upper shock mount.
Complete this step 2 times.

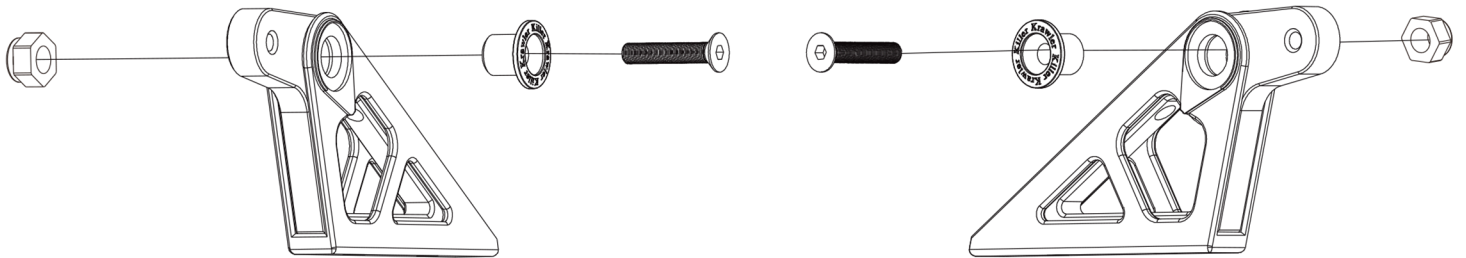


11. Upper shock mount hardware installation.
Complete this step 2 times.
(The brass step parts can be found in Bag G/KK2.)

M3 Locknut

M3x14mm
Countersunk

M3 Locknut

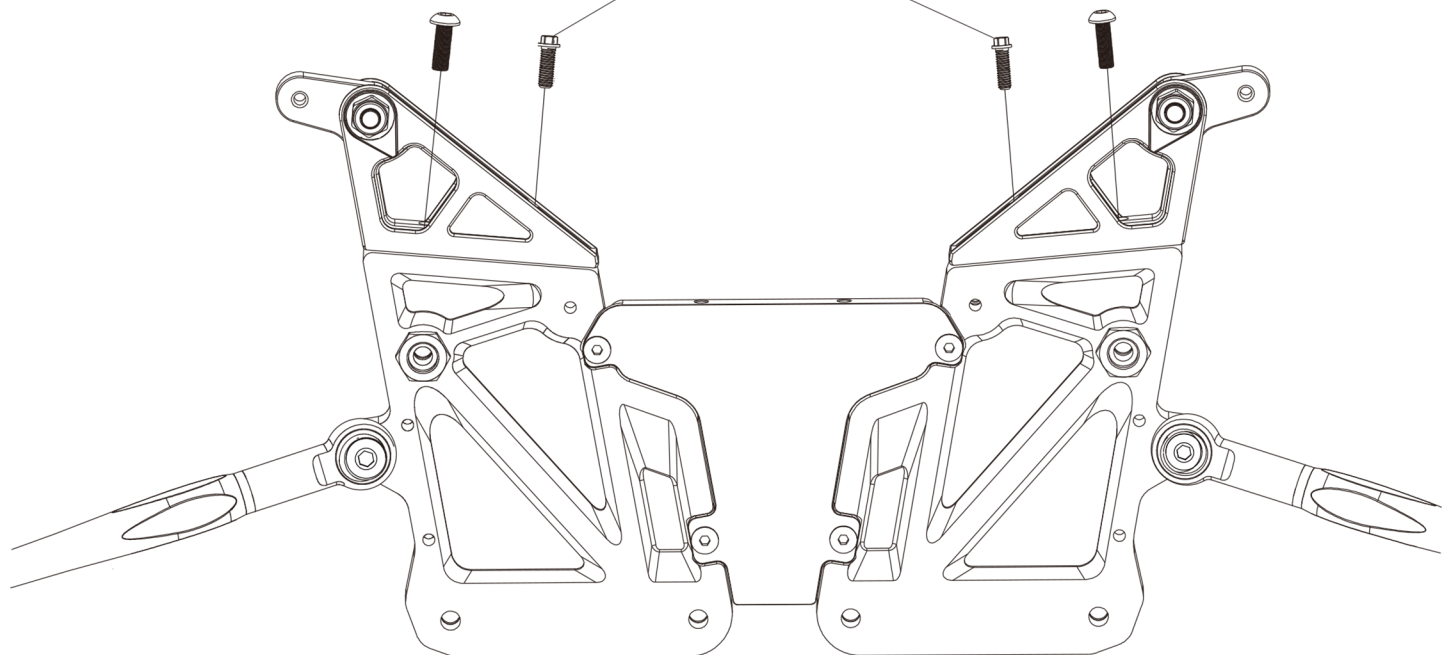


12.* Upper shock mount installation.
Complete this for both of the frame side assembly.

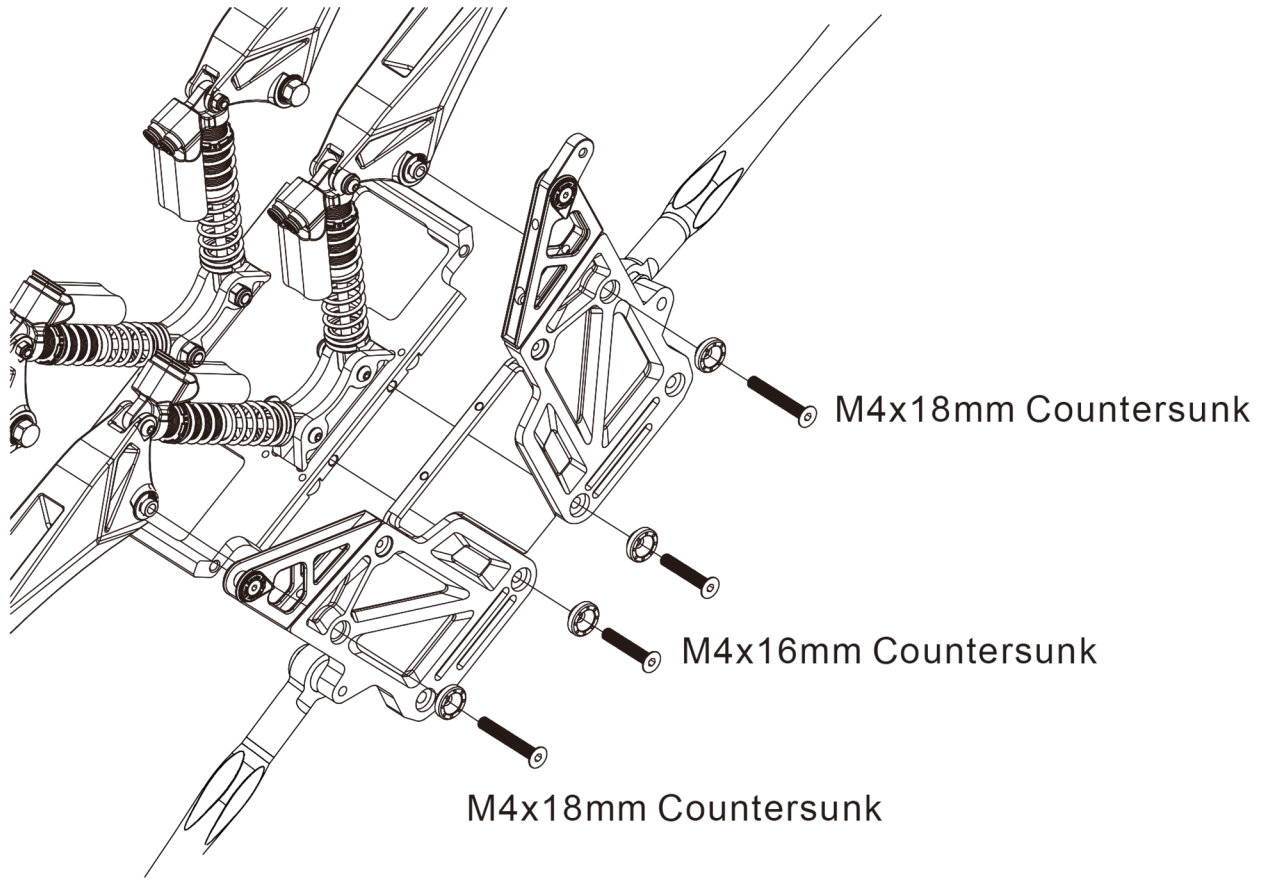
M3x10mm

M3x12mm
Hex Screw

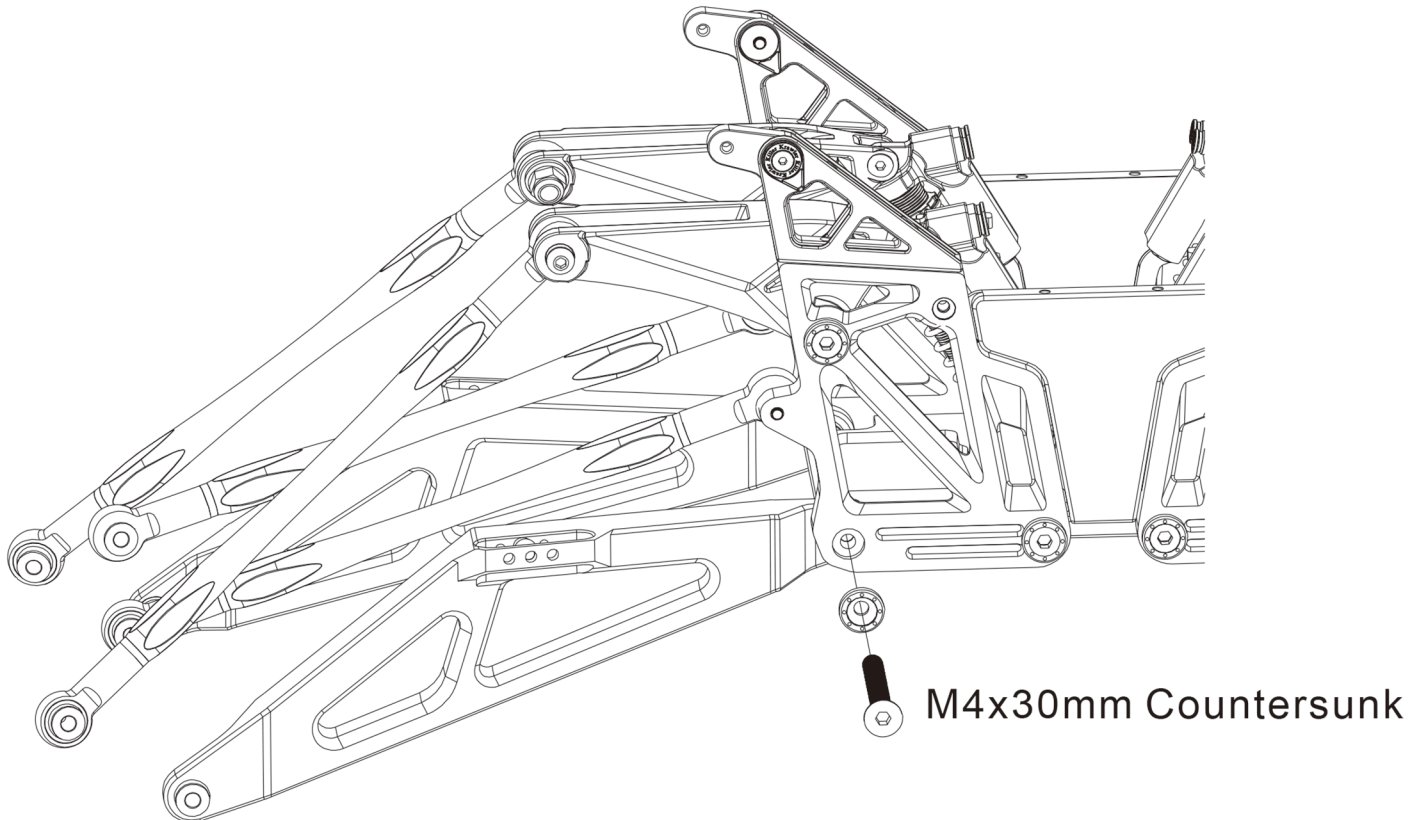
M3x10mm



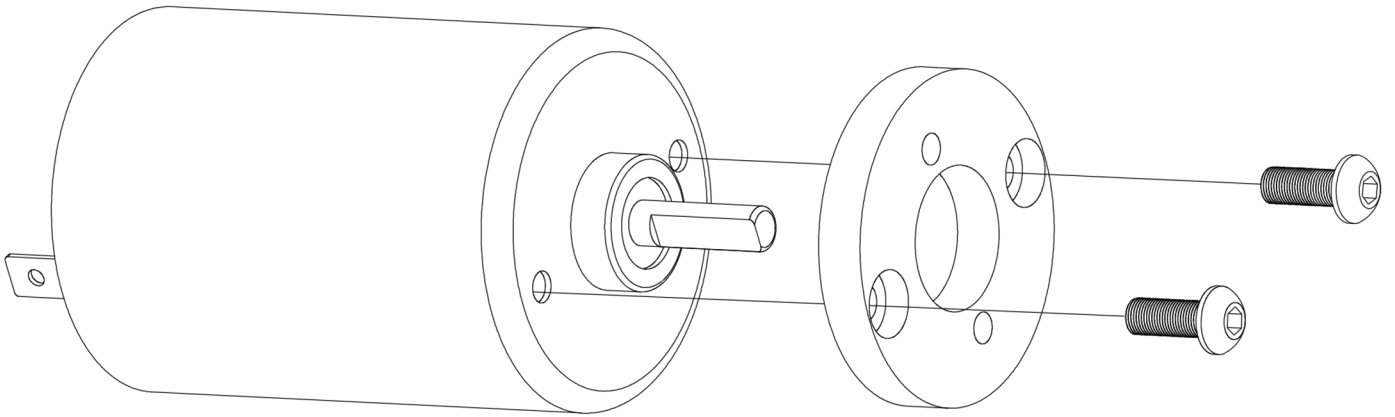
- 13.* Upper shock mount installation.**
Complete this for both frame side assemblies.
(Special note: pay attention to the countersunk washers.)
(All the M4 step brass bushing can be found in Bag H/KK2.)



- 14.* Installing the lower machined links.**
Complete this for all 4 lower machined links.
(Special note: Pay attention to the countersunk washers.)

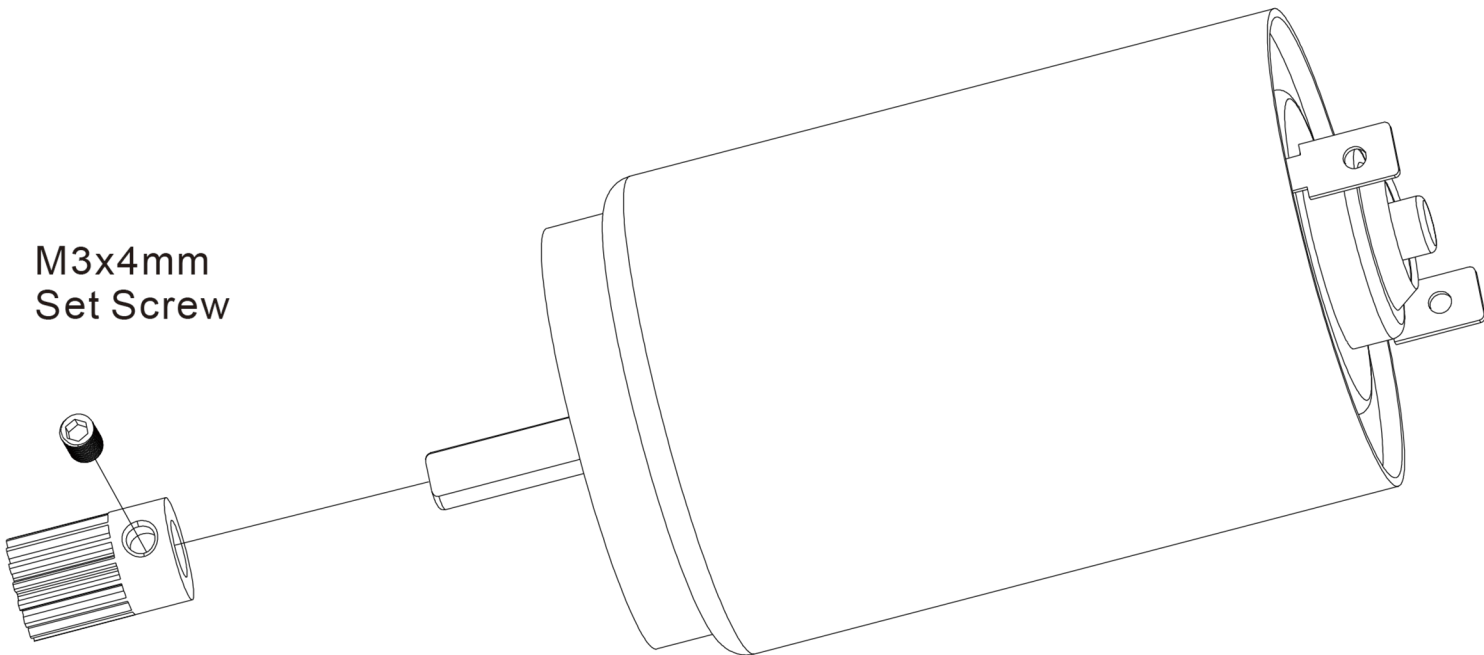


- 15.* Motor mount assembly.**
Step 15 and 16 need to Complete 2 times.
(The screws can be found in Bag I/KK2.)
(Motor shown is not included.)



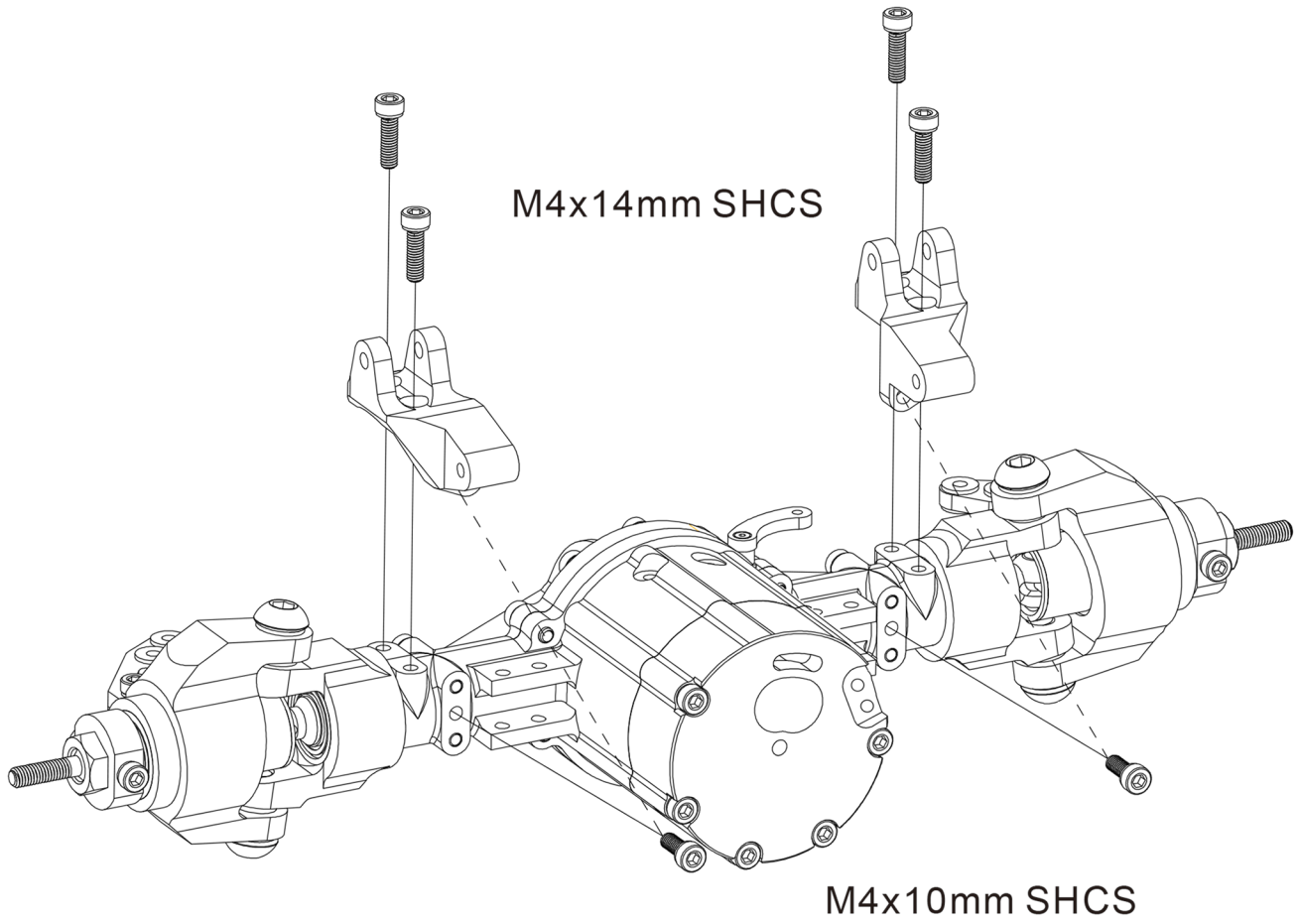
M4x8mm

- 16.* Pinion gear installation.**
(The motor gears can be found in Bag J/KK2.)

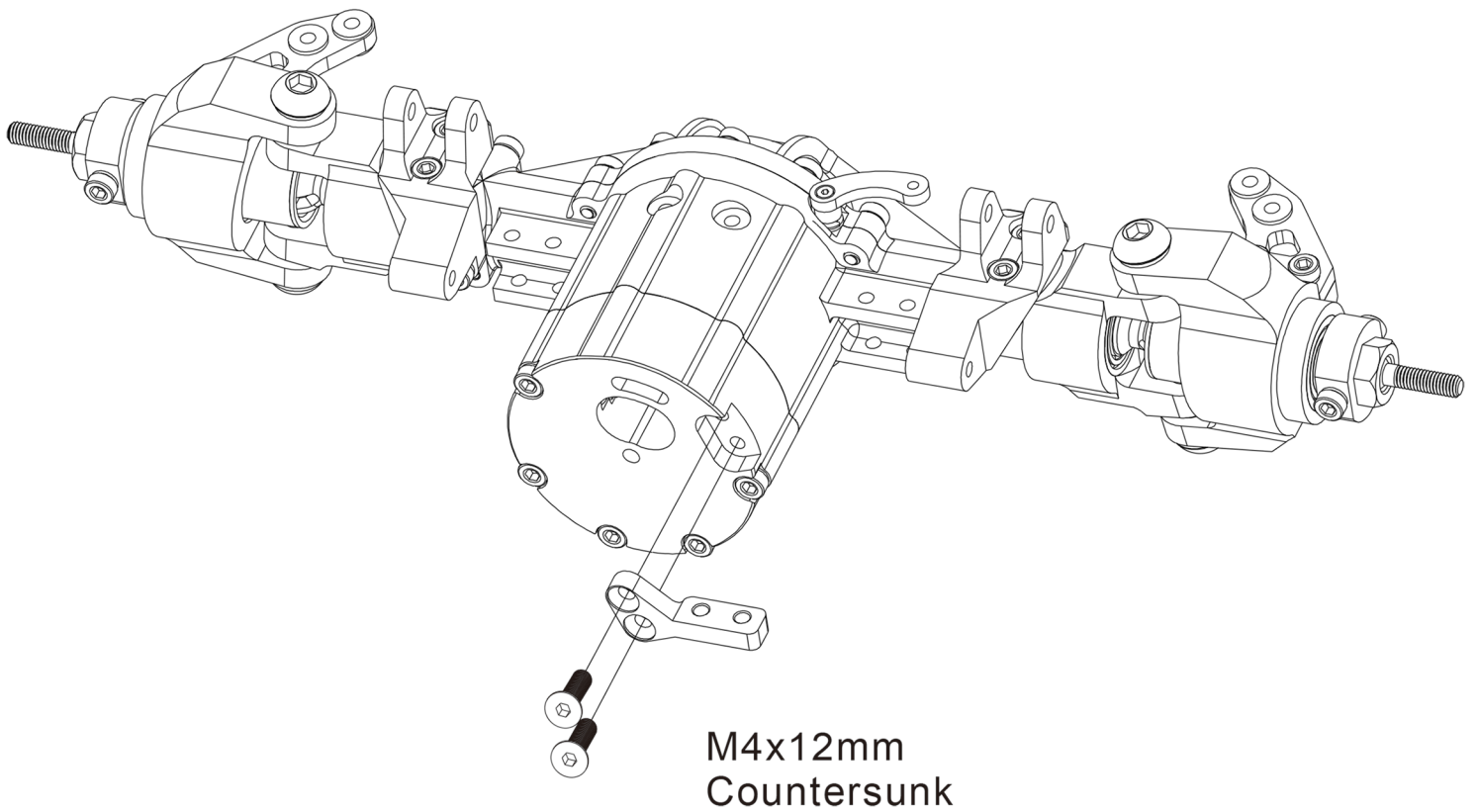


M3x4mm
Set Screw

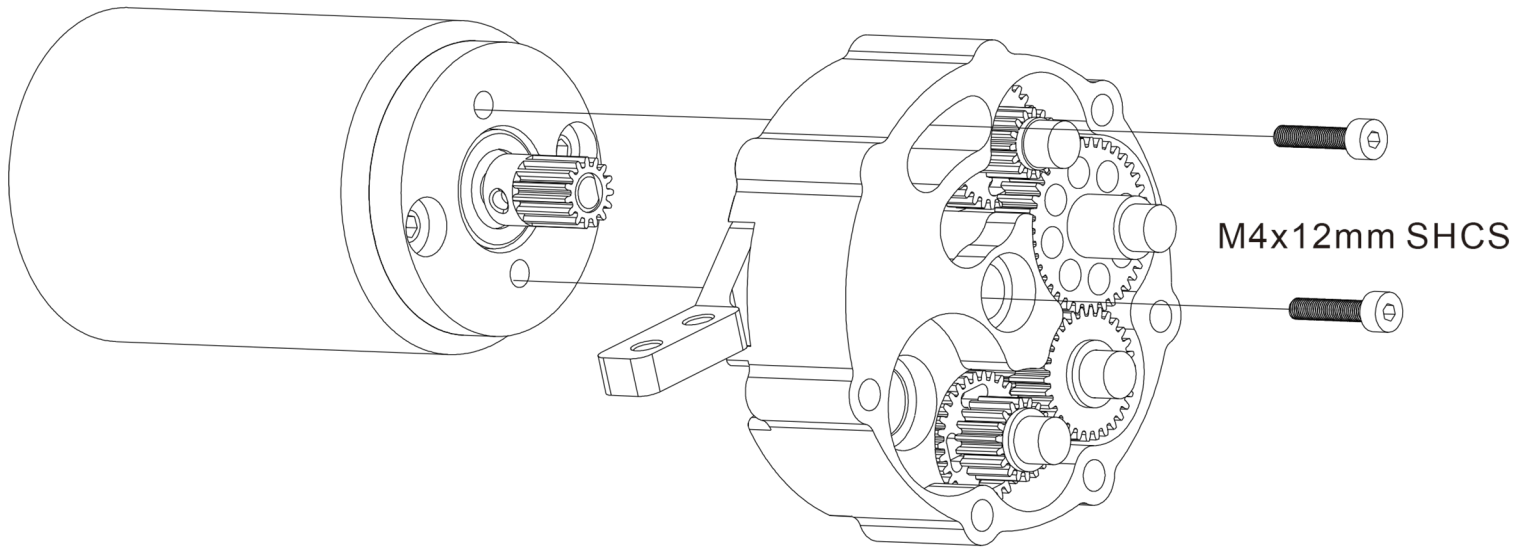
**17.* Axle assembly.
Complete this step for both axles.**



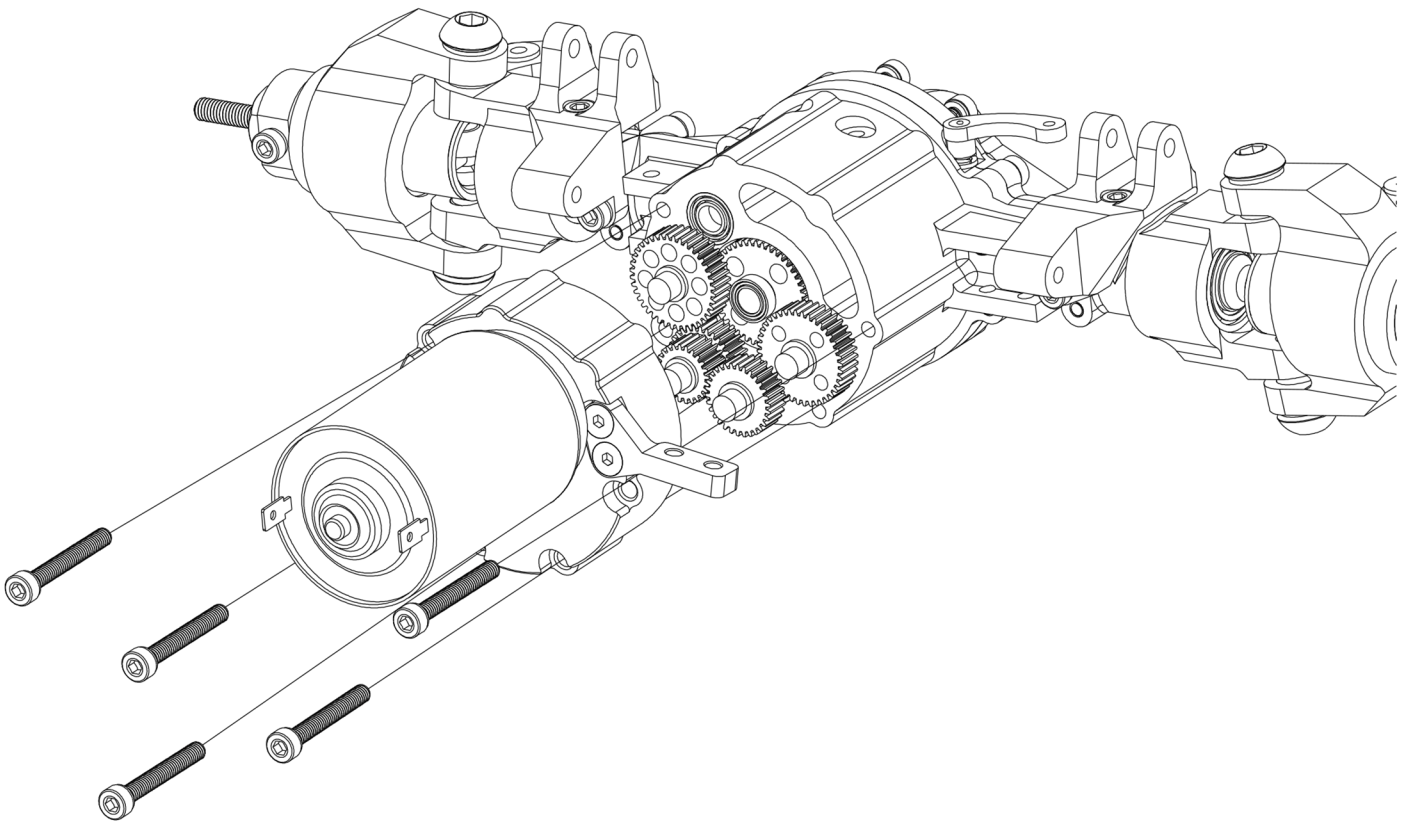
**18.* Axle servo differential lock mount installation.
Complete this step for both axles.**



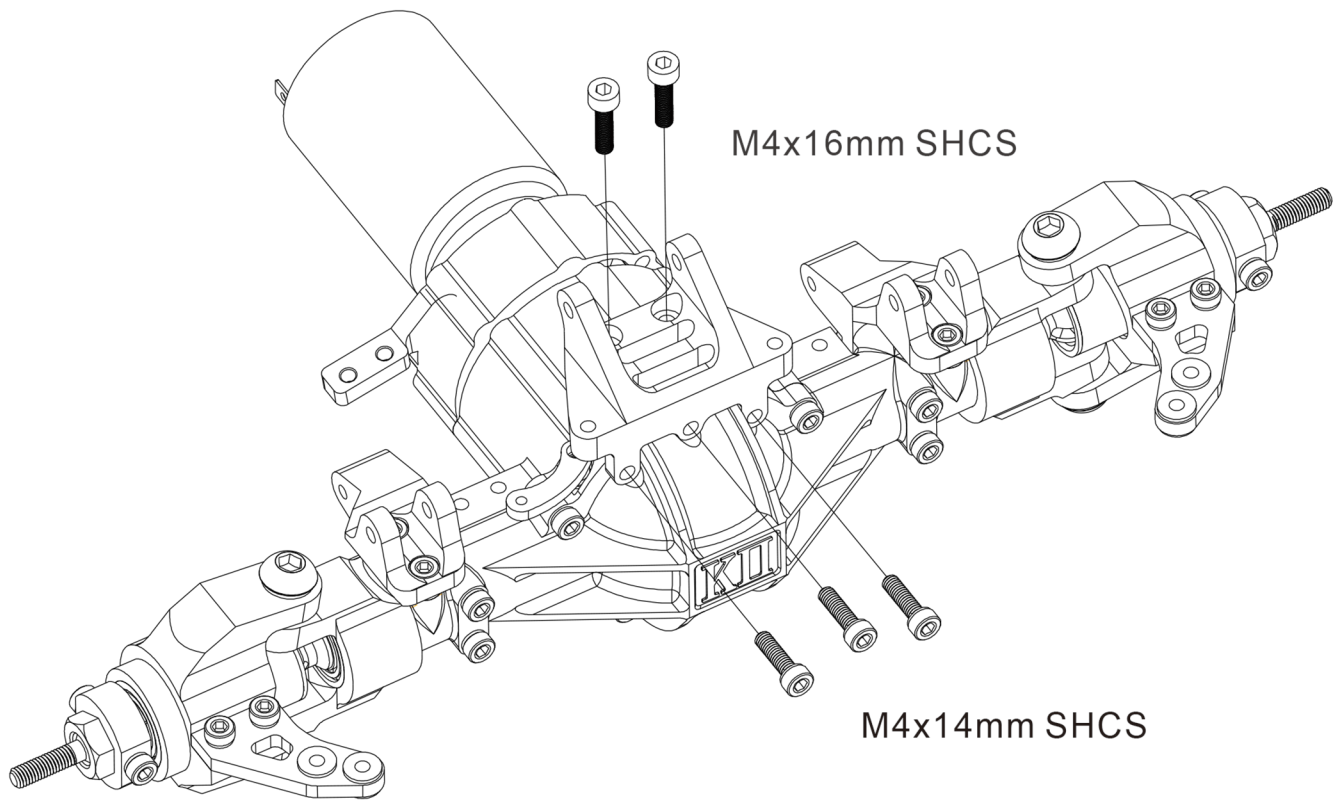
19.* Motor installation.
Opening the gear box before completing this step.



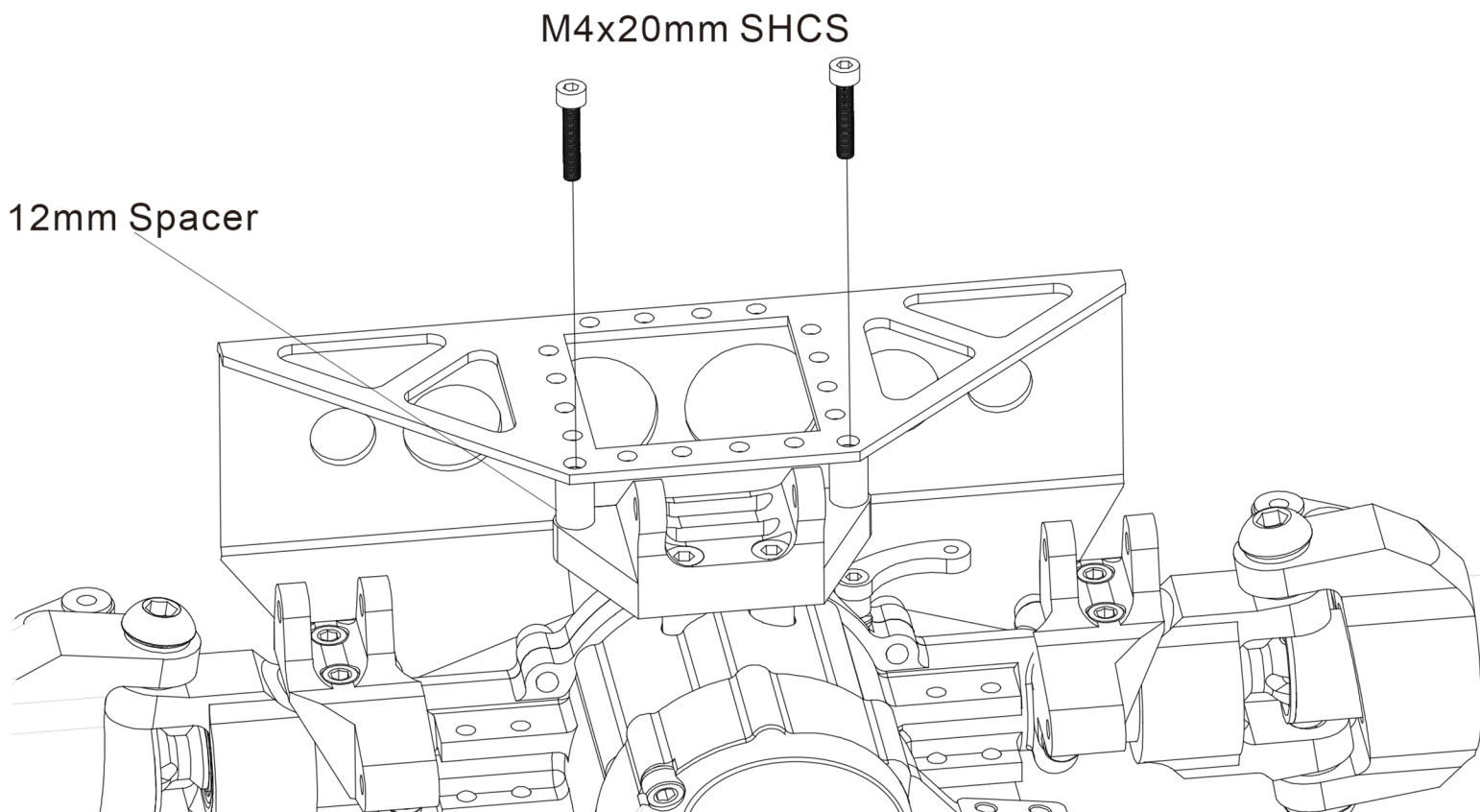
20. Install the cover with motor installed.



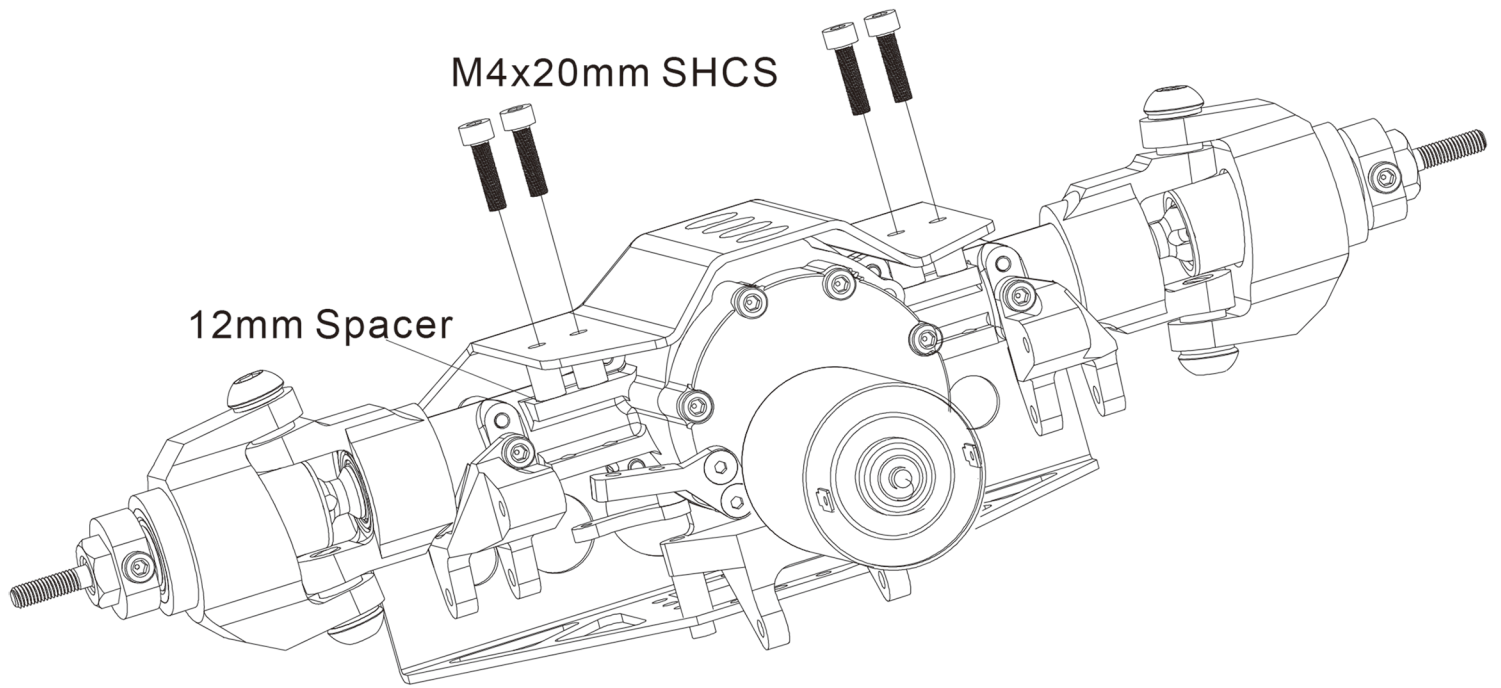
21.* Install the link mount.



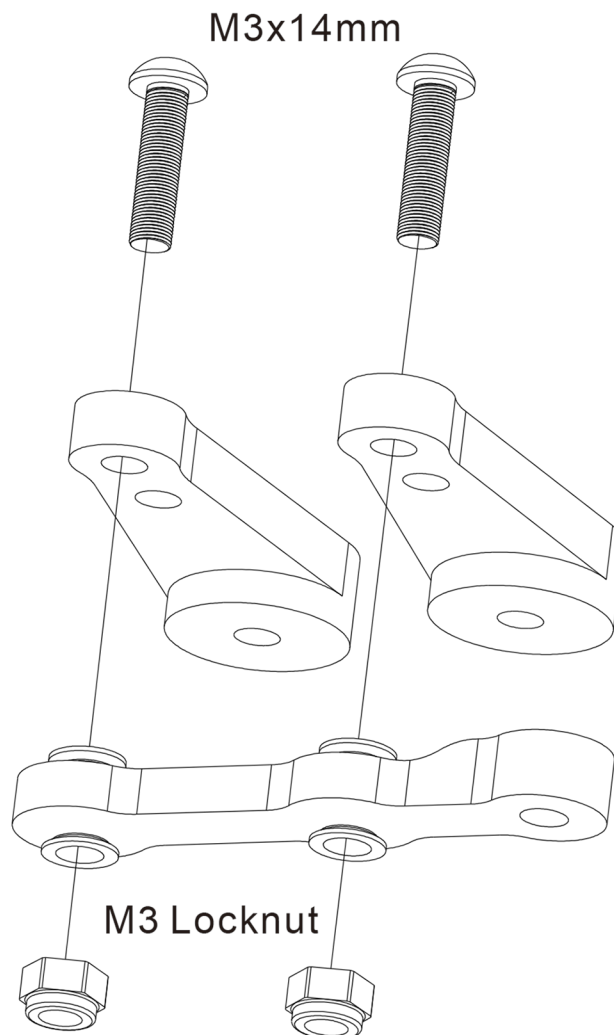
22.* Axle skid plate installation.



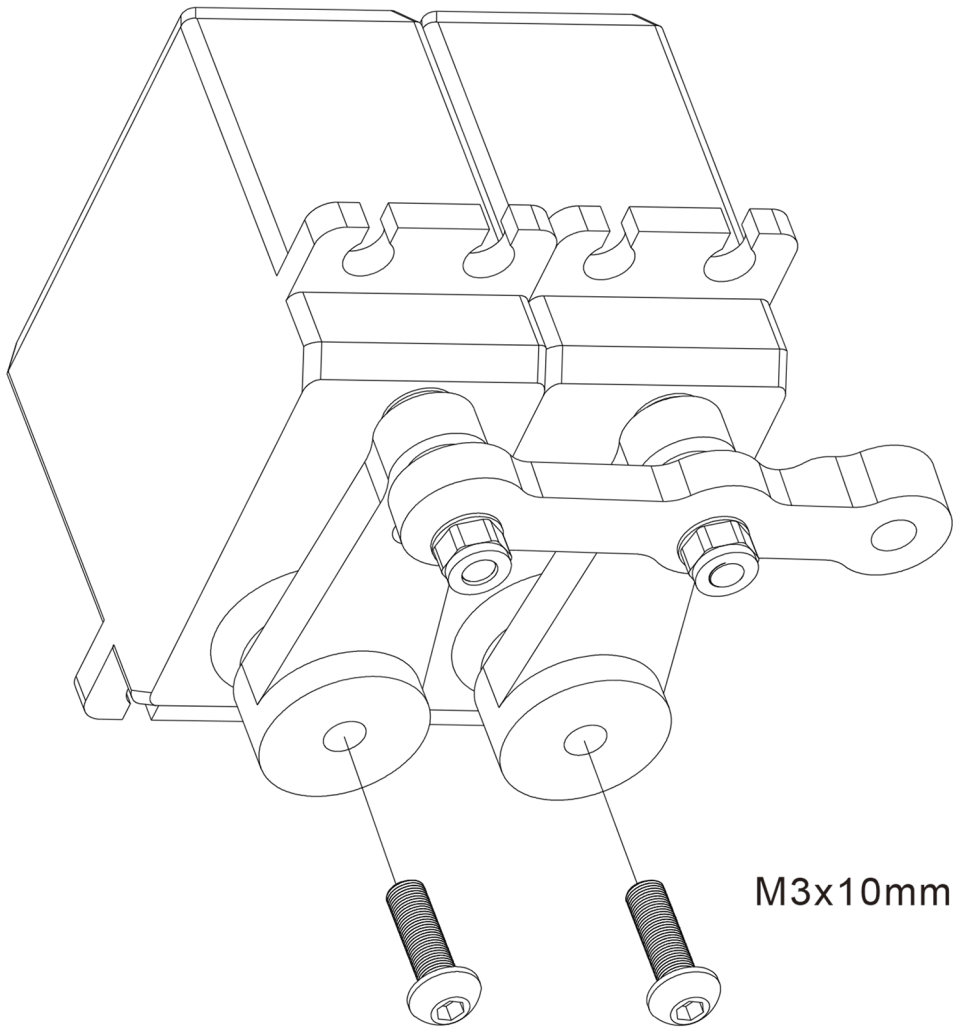
23.* Install same assembly on the underside.



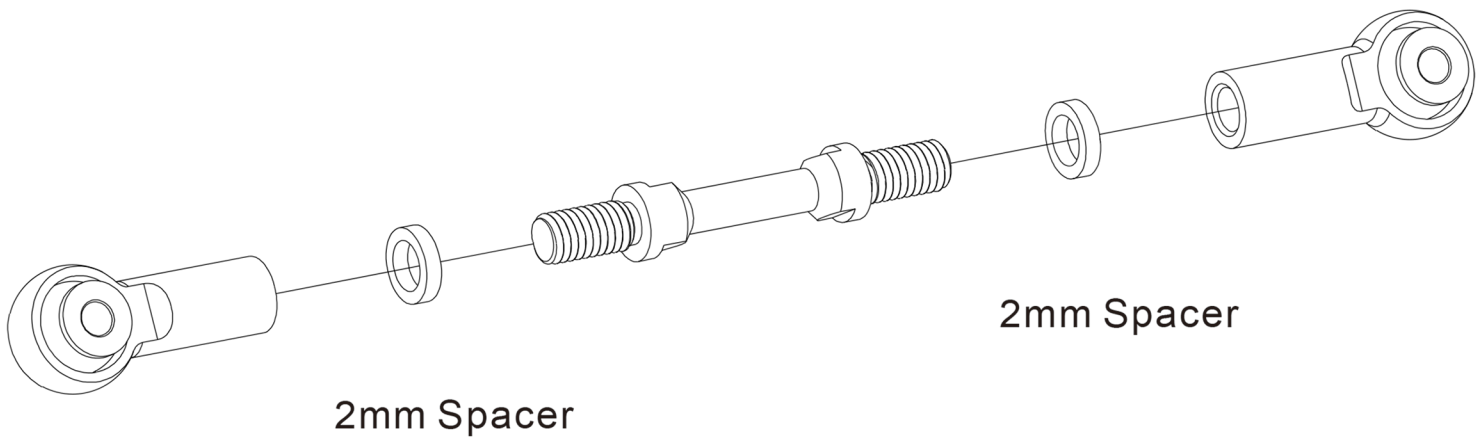
24.* Servo arm assembly.
Steps 24 and 27 needs to be completed 2 times.
(Servo arm shown is not included.)



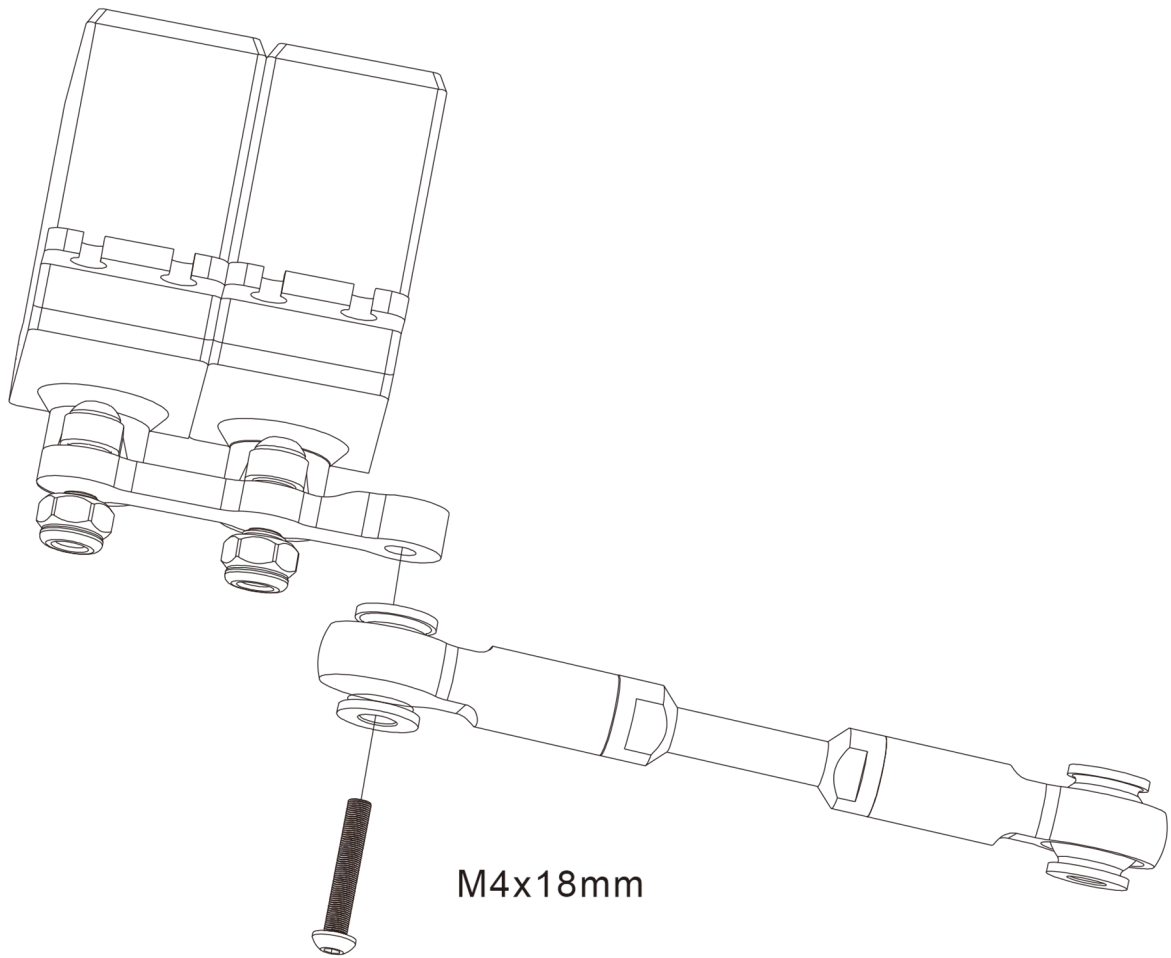
**25.* Servo assembly.
(Servo shown is not included.)**



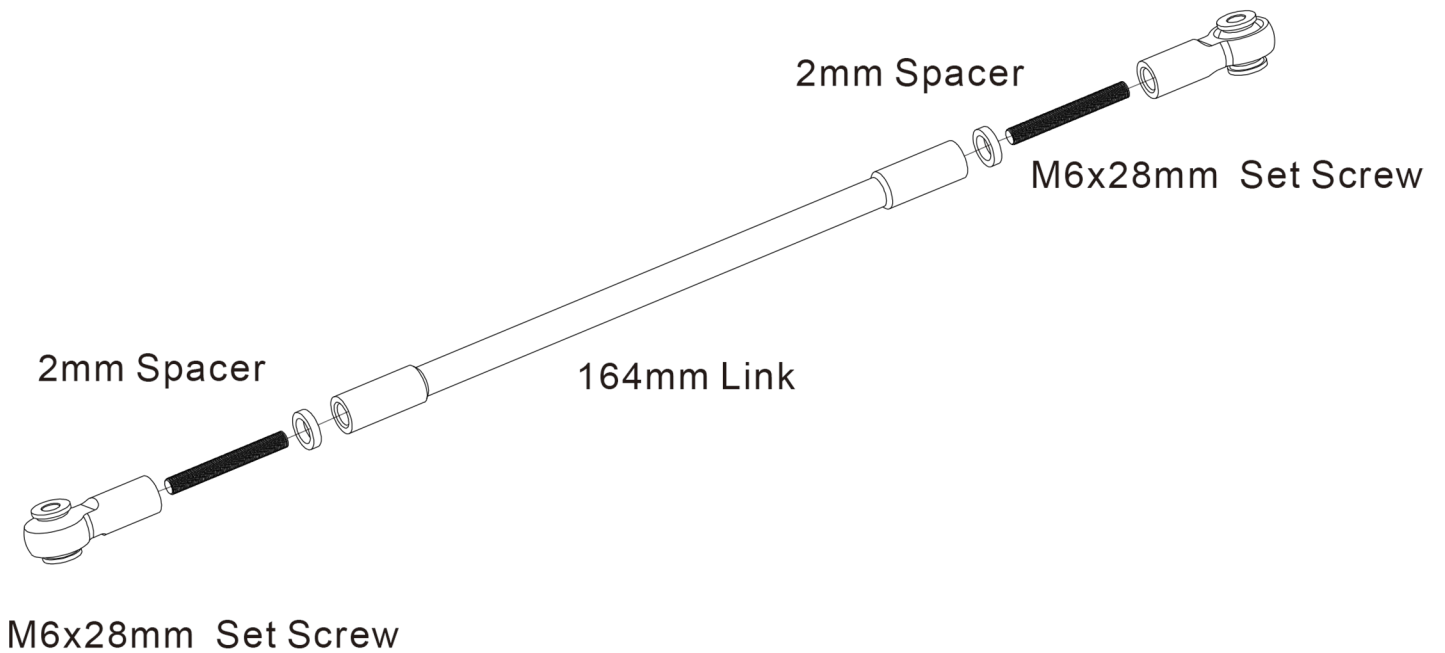
26.* Short steering link assembly.



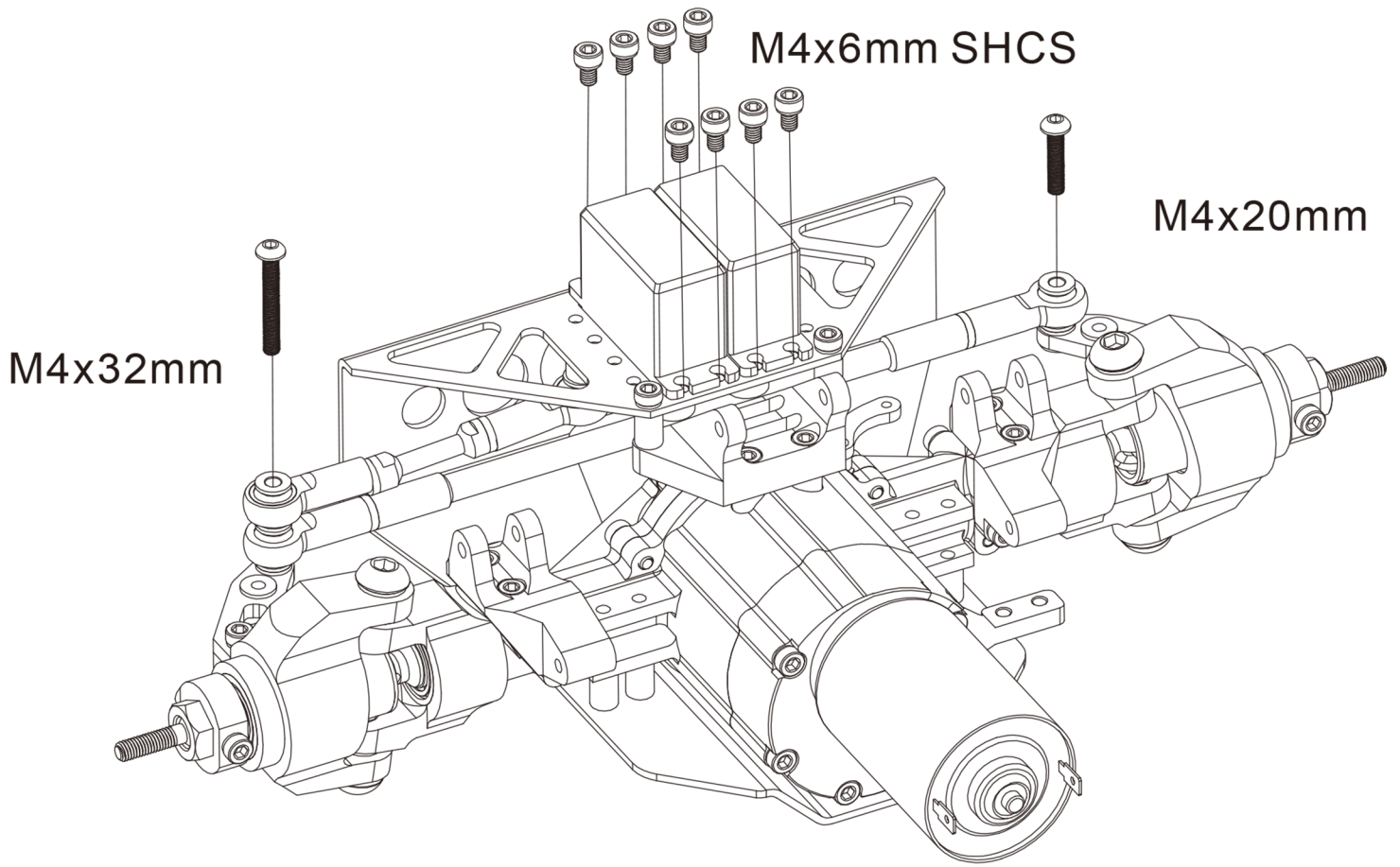
27.* Steering servo link assembly.



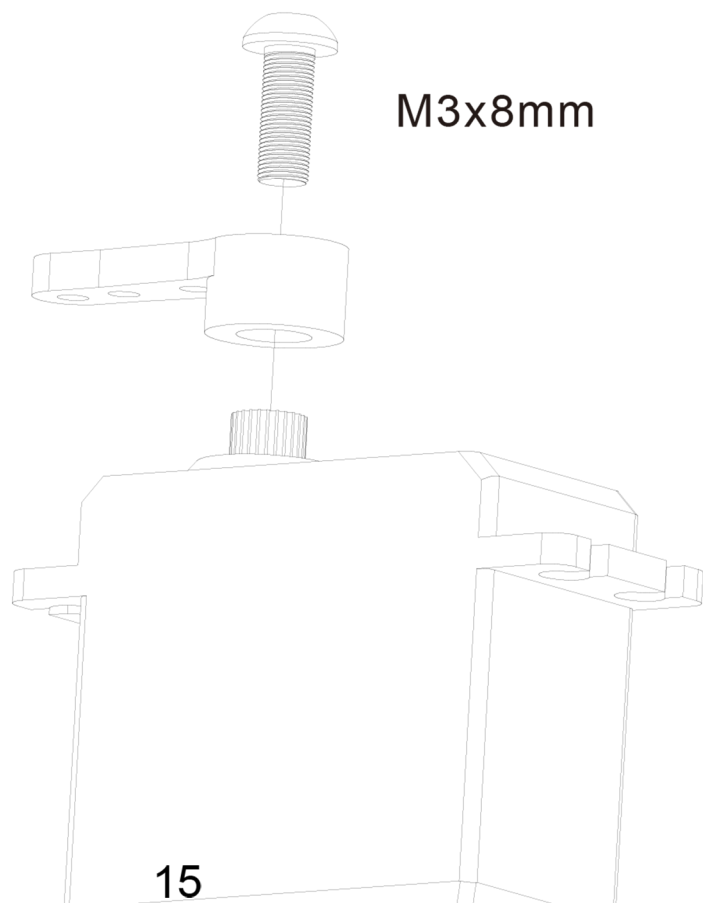
**28.* Long steering Link Assembly.
Complete this step 2 times.**



29.* Steering servo Installation.
Step 29 need to complete this step for both axle.



30.* Servo arm installation.
Steps 30 and 31 needs to be completed 2 times.
(Servo and Servo Arms not included.)

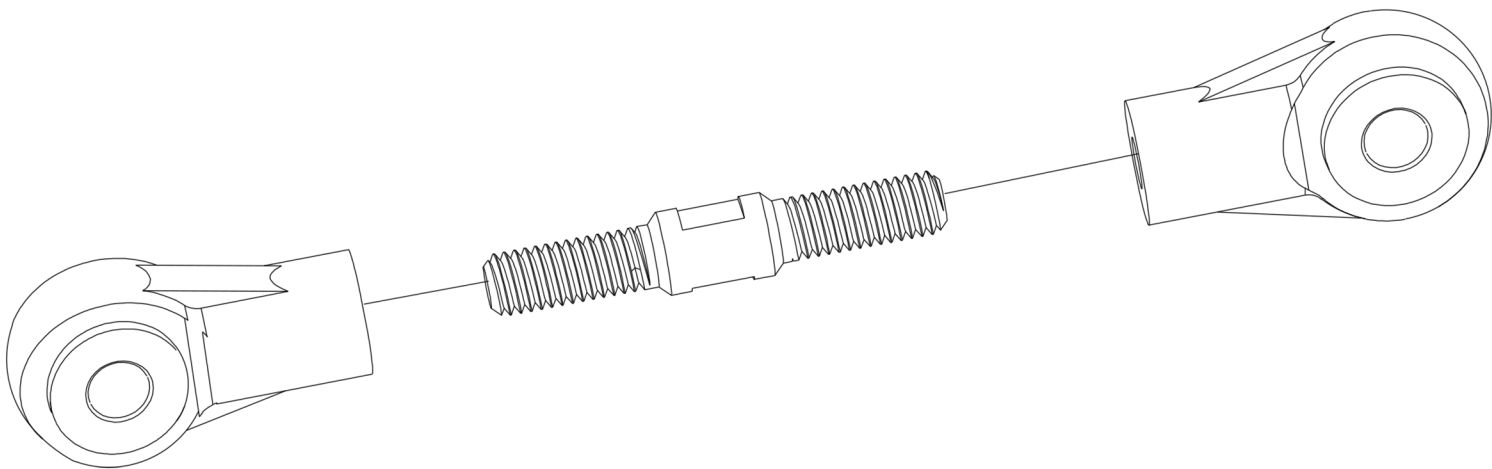


31. Differential lock the servo installation.

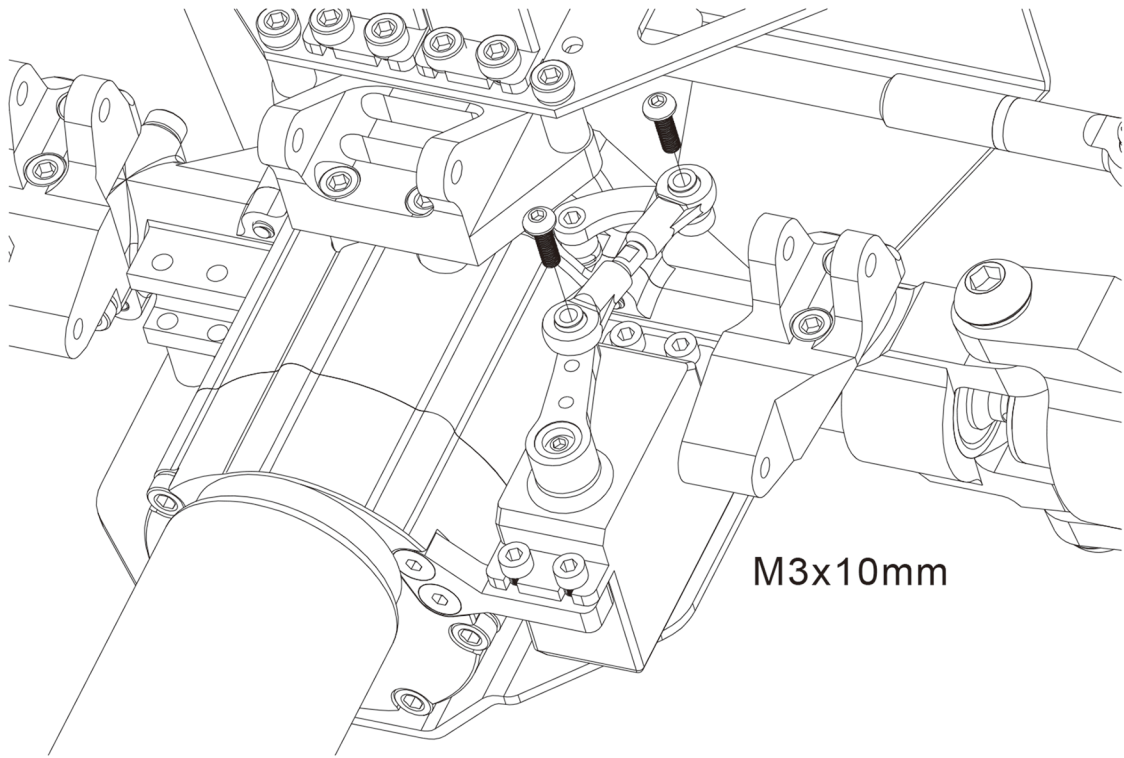


M4x8mm SHCS

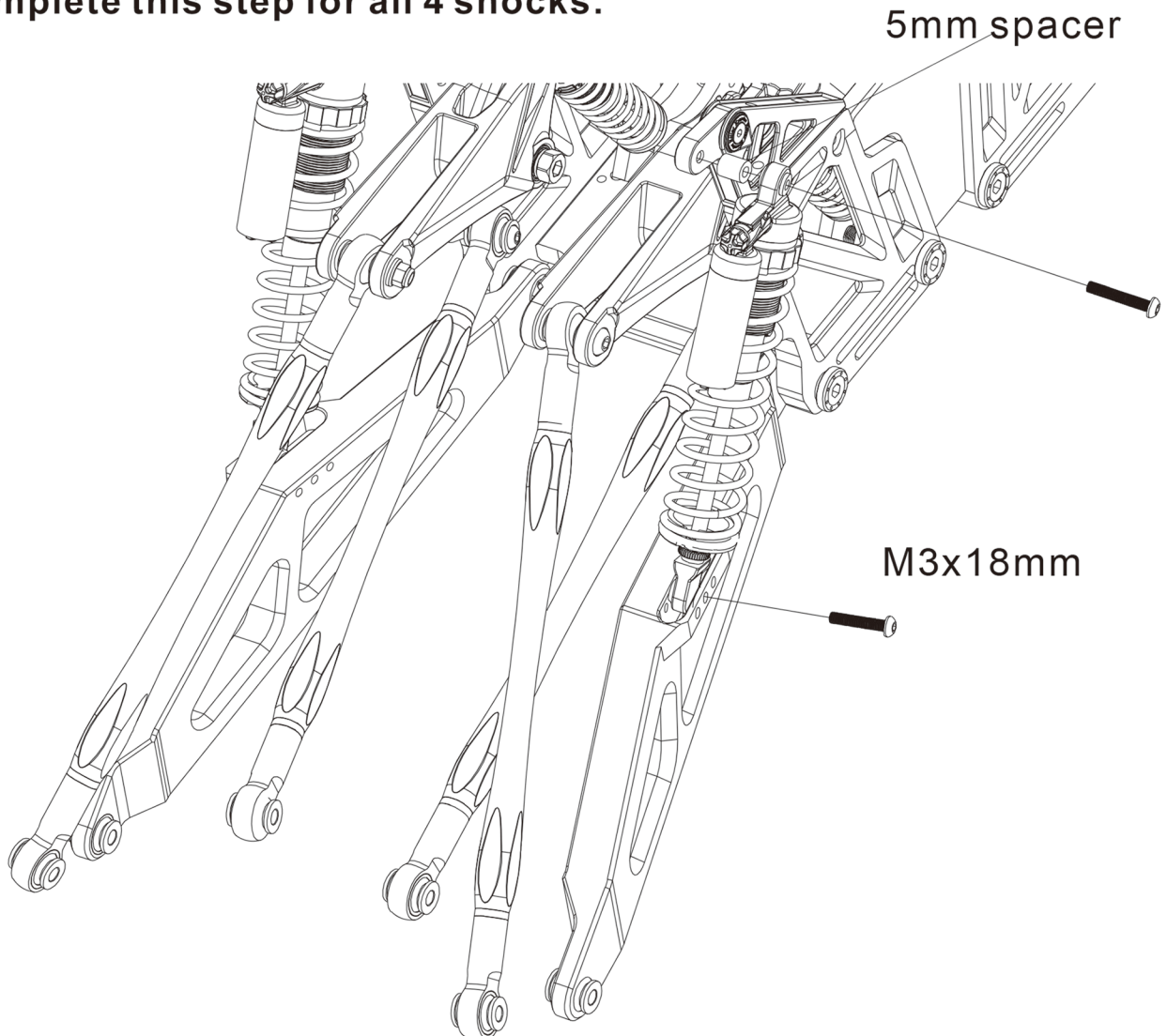
32.* Short servo arm assembly.



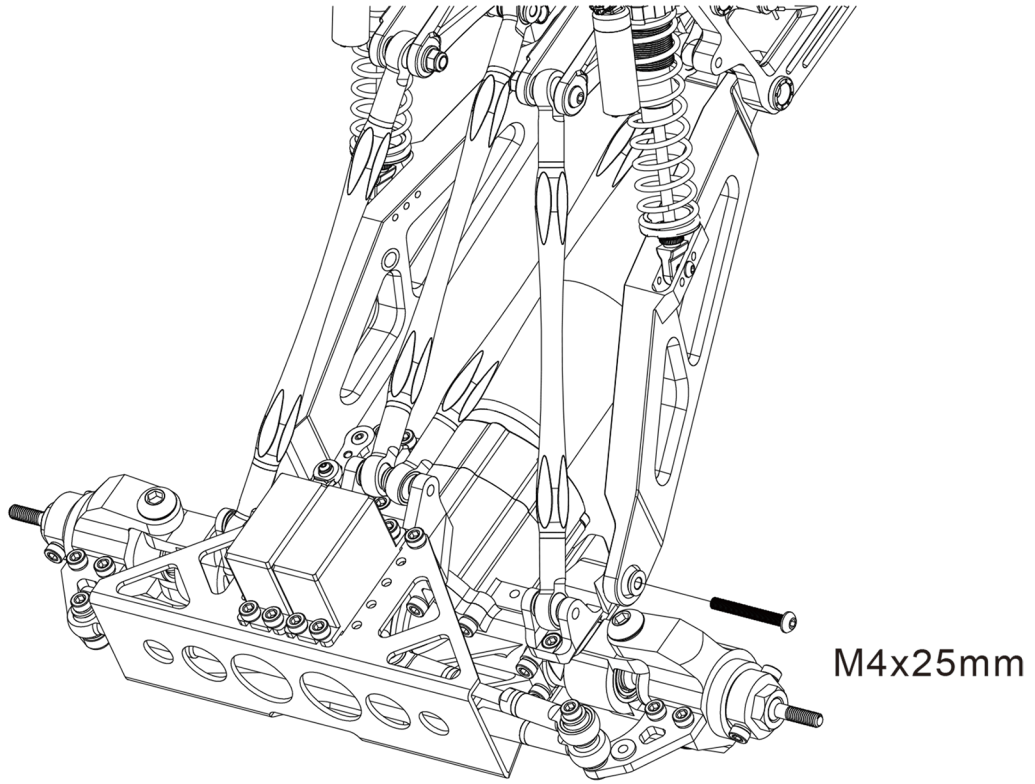
**33.* Axle differential steering connecting rod installed.
(Servo and servo arms do not included.)
Complete this step for both axles.**



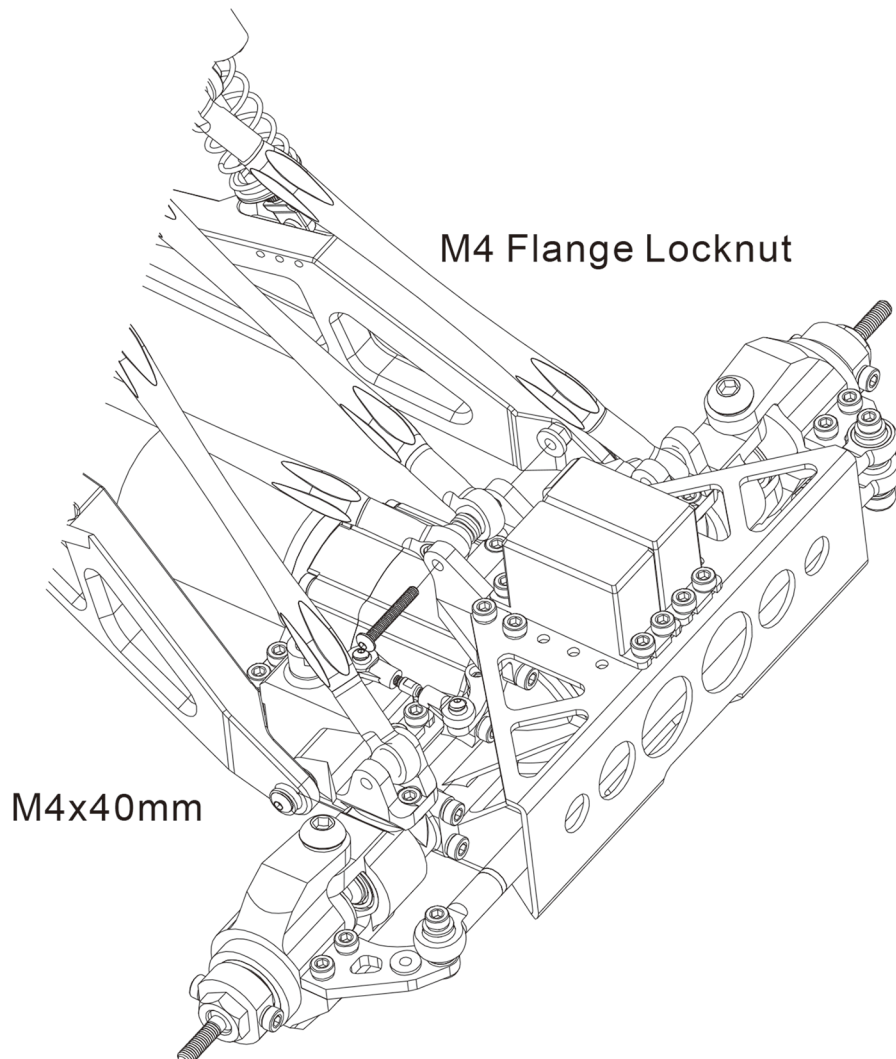
**34.* Installation of shocks.
Complete this step for all 4 shocks.**



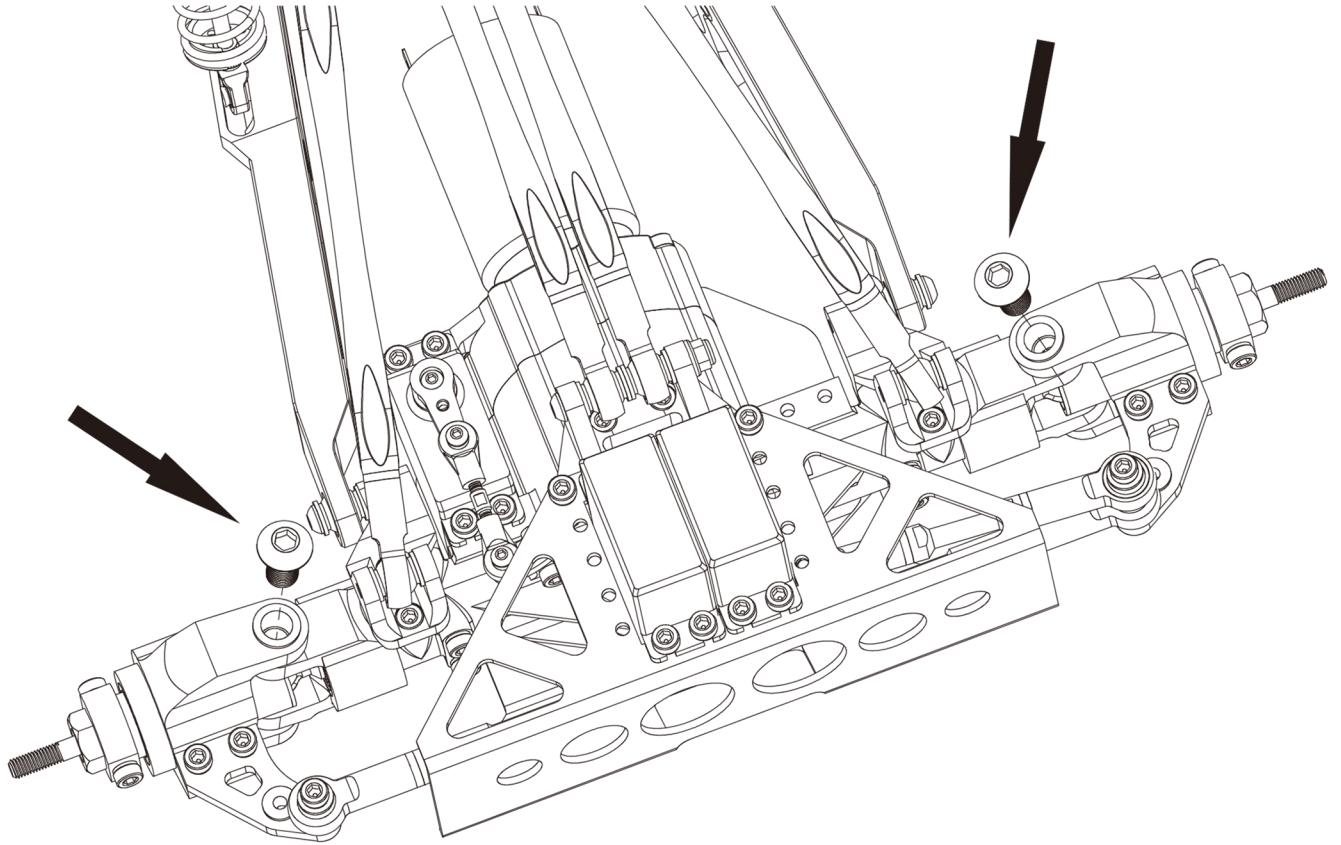
**35.* Lower 4 link axle installation.
Complete this step for both axles.**



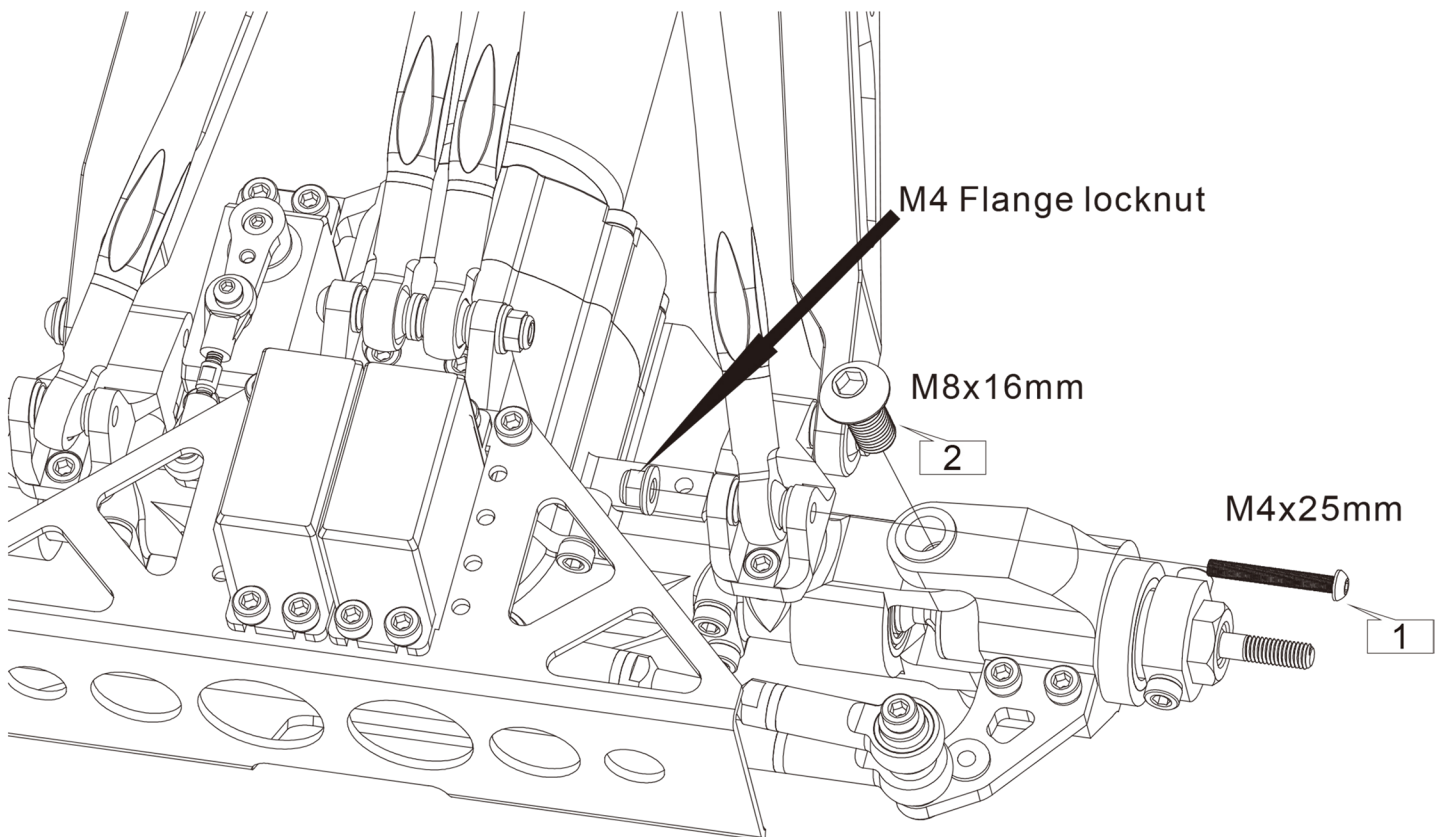
**36. Upper 4 link axle installation.
Complete this step 2 times.**



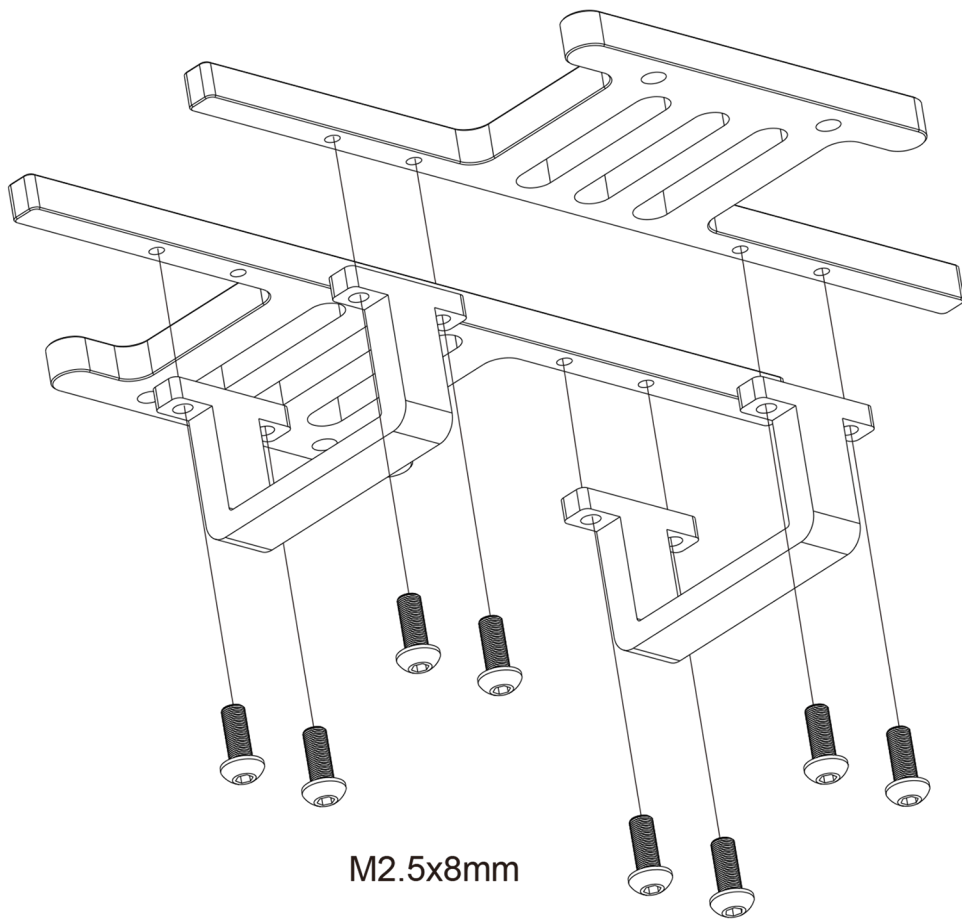
**37. Remove screws.
Complete this step 2 times.**



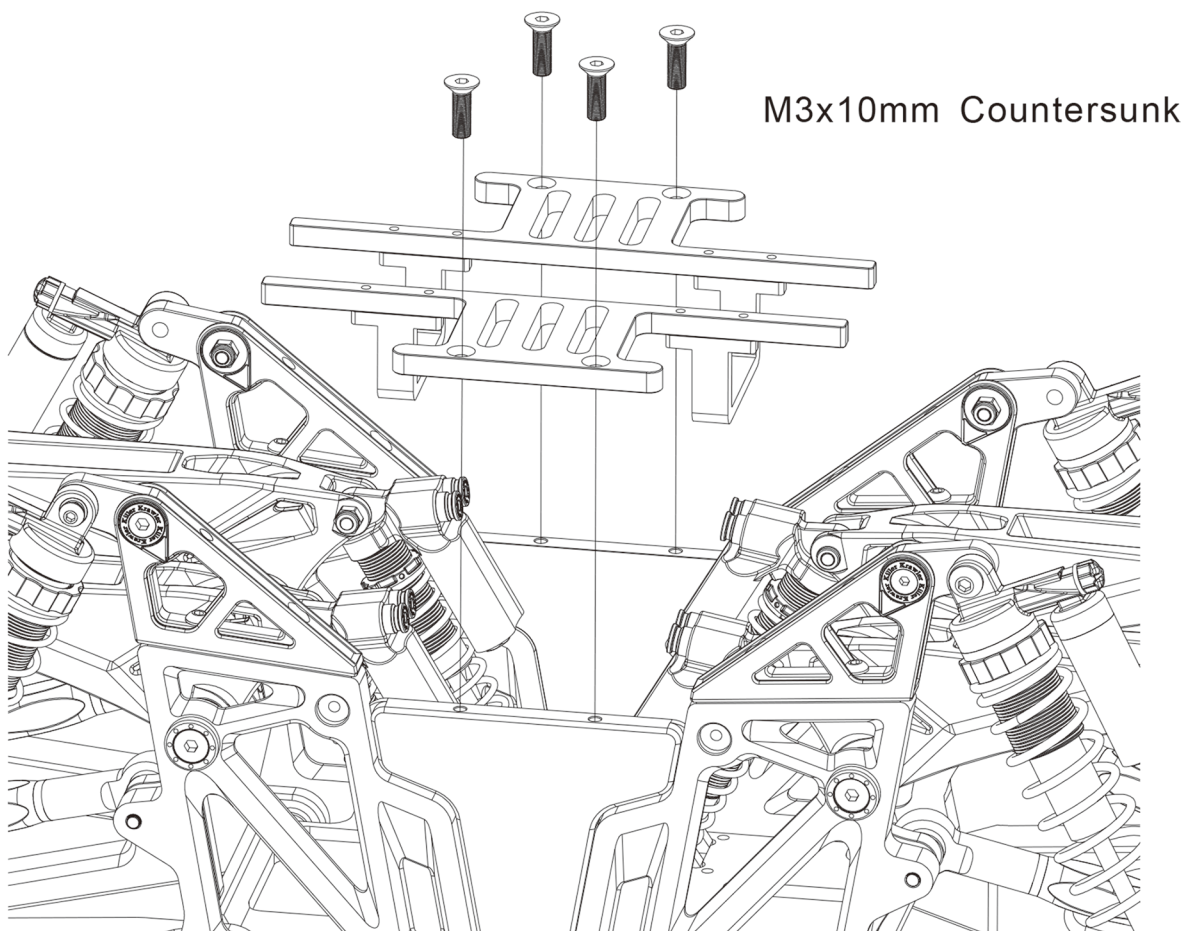
**38. Cantilever link installation.
Complete this step 4 times.**



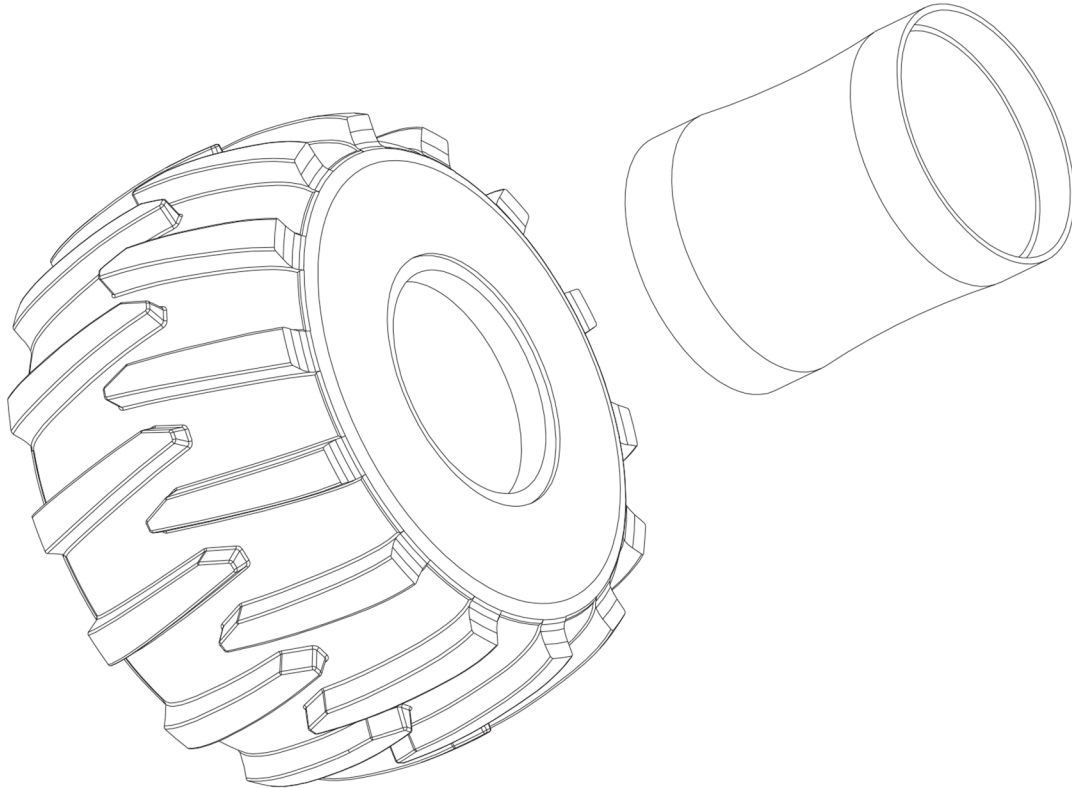
39.* Battery mount assembly.



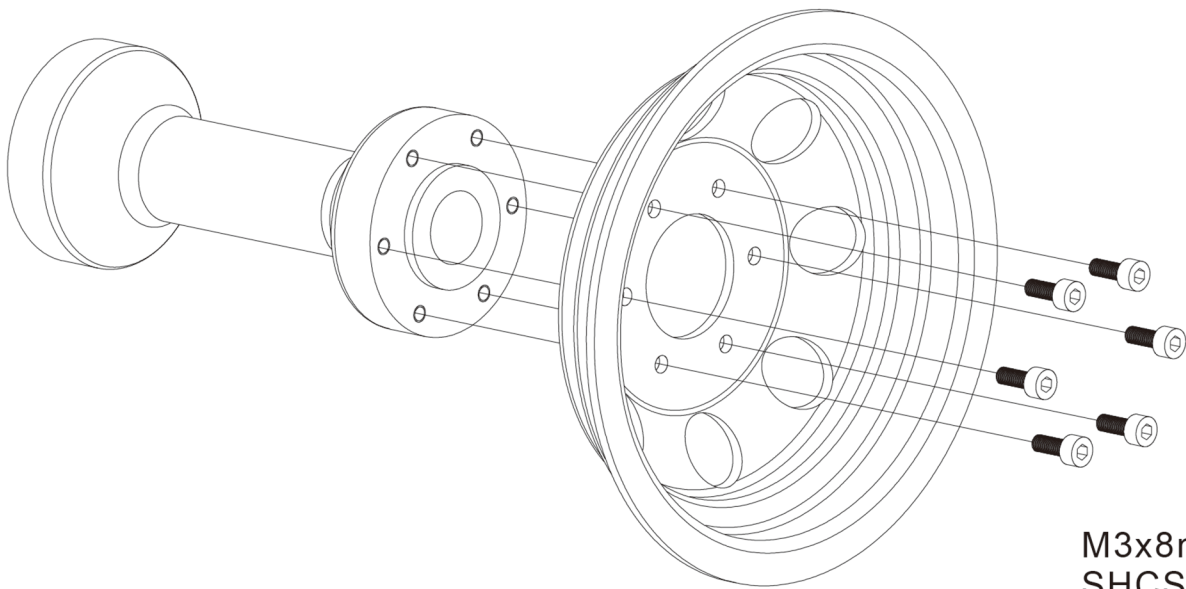
40.* Upper chassis installation.



41. Beadlock wheel/tire assembly.
Step 38 to 41 need to complete 4 times.
(Wheels and tires shown are not included with the kit. They are shown to aid in proper assembly and installation on the truck.)

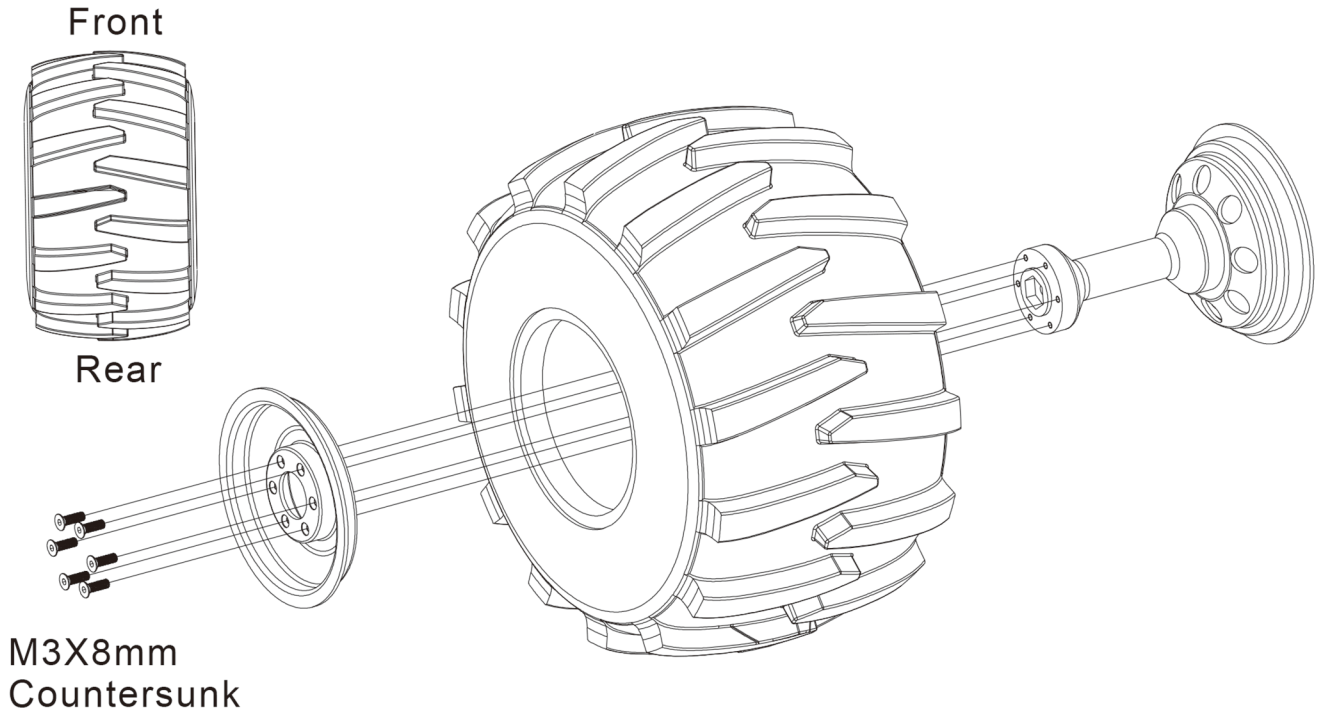


42.* Beadlock wheel assembly.

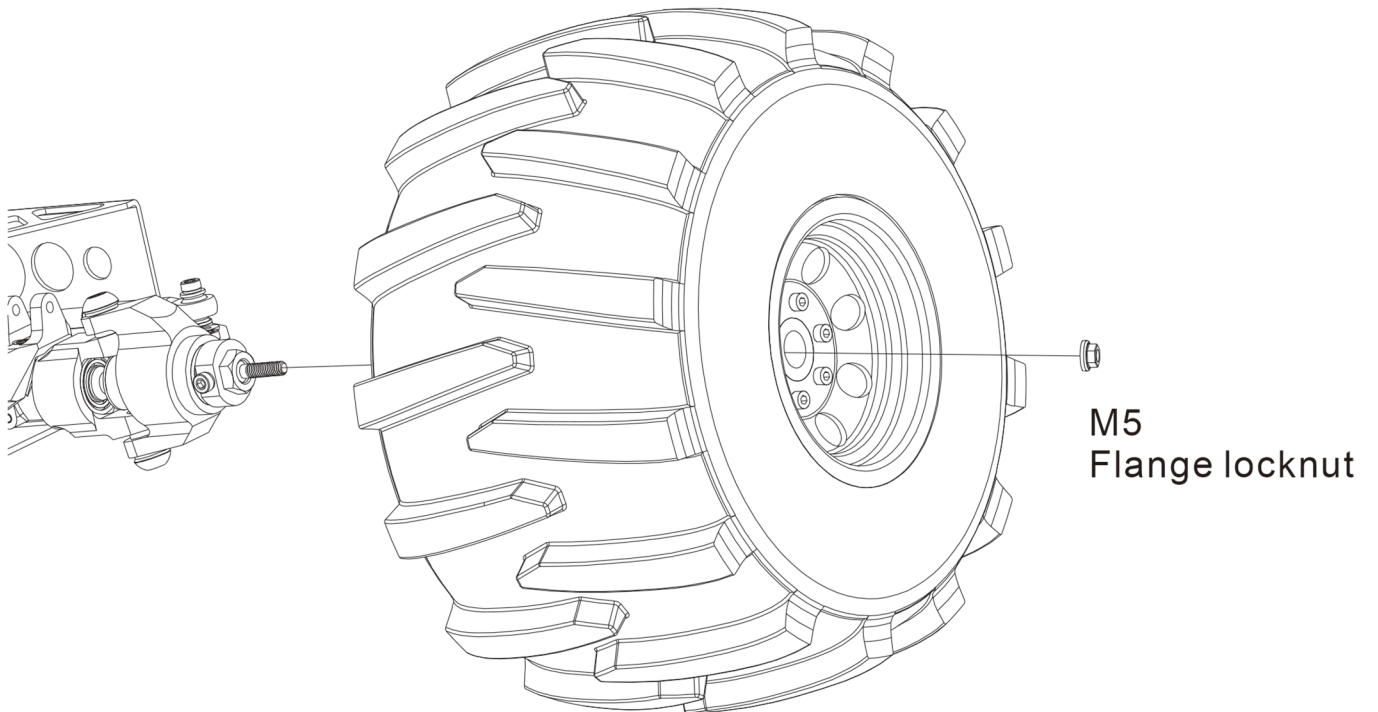


**M3x8mm
SHCS**

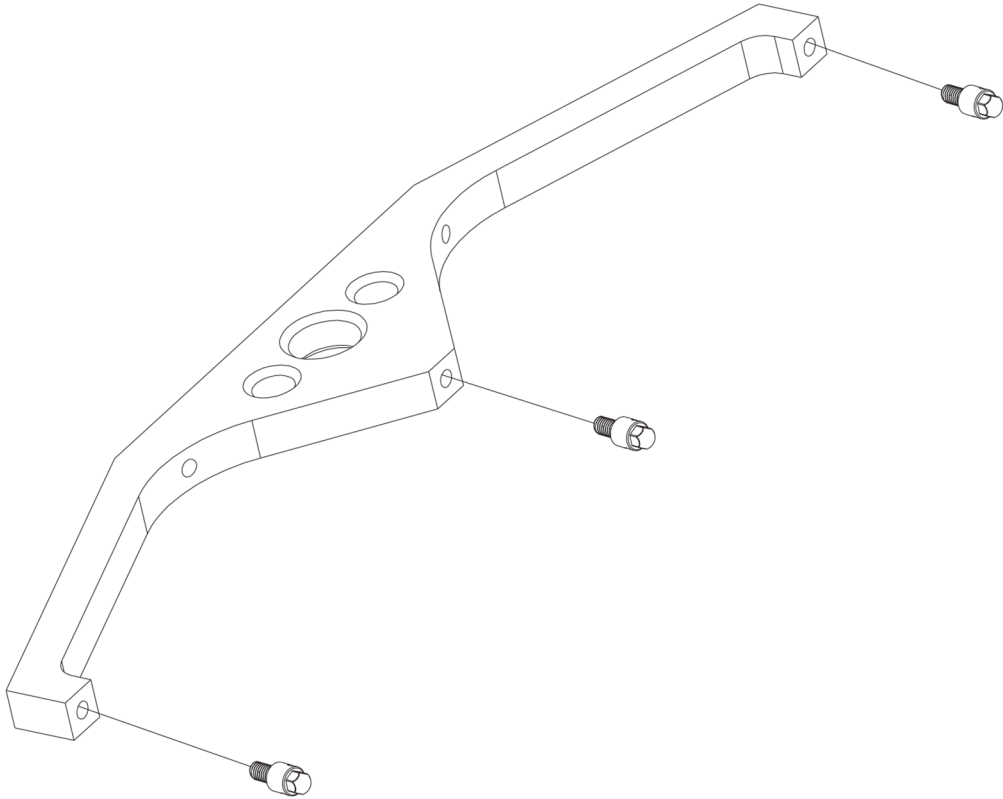
43.* Beadlock wheel/tire assembly.
Should notice that the installation is directly on the wheel of the tire.



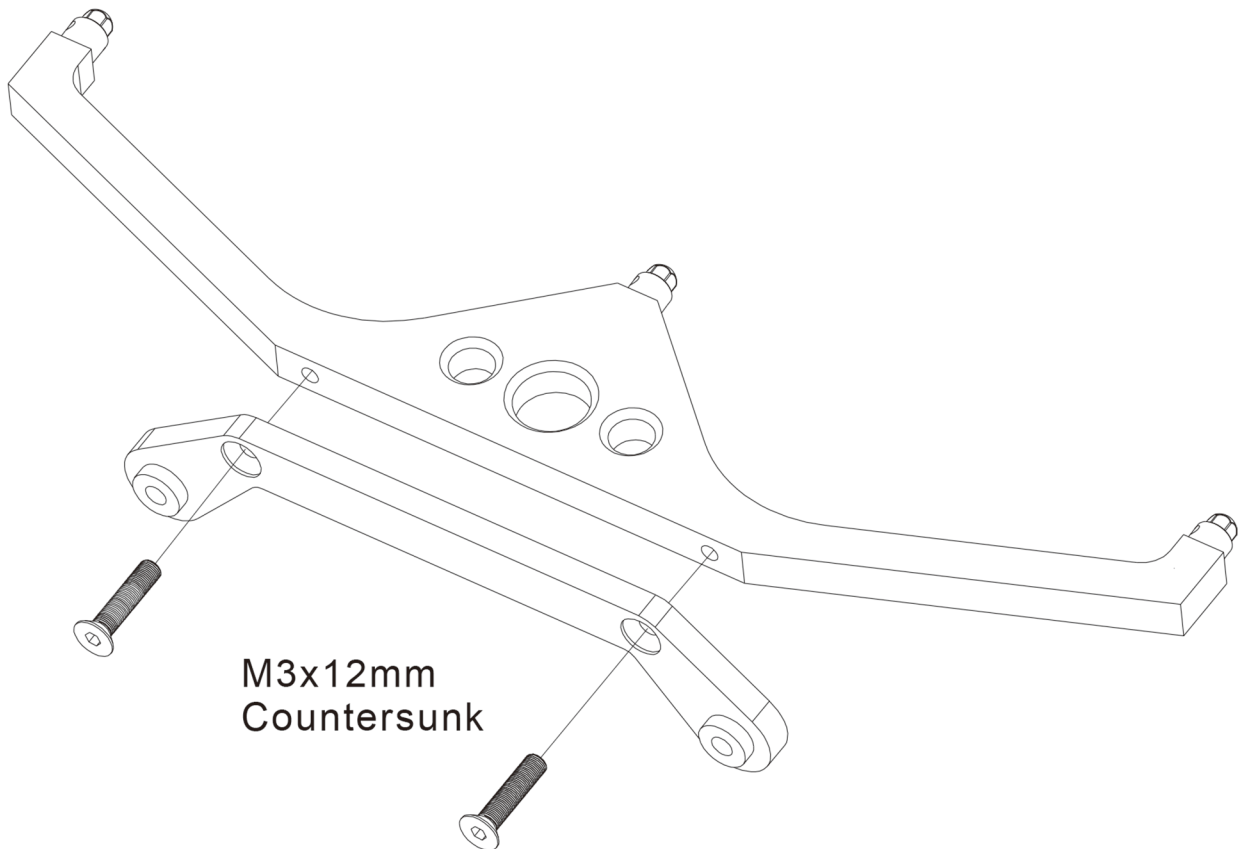
44.* Beadlock wheel/tire installation.
(All of the M5 spring washer can be found in Bag I/KK2.)



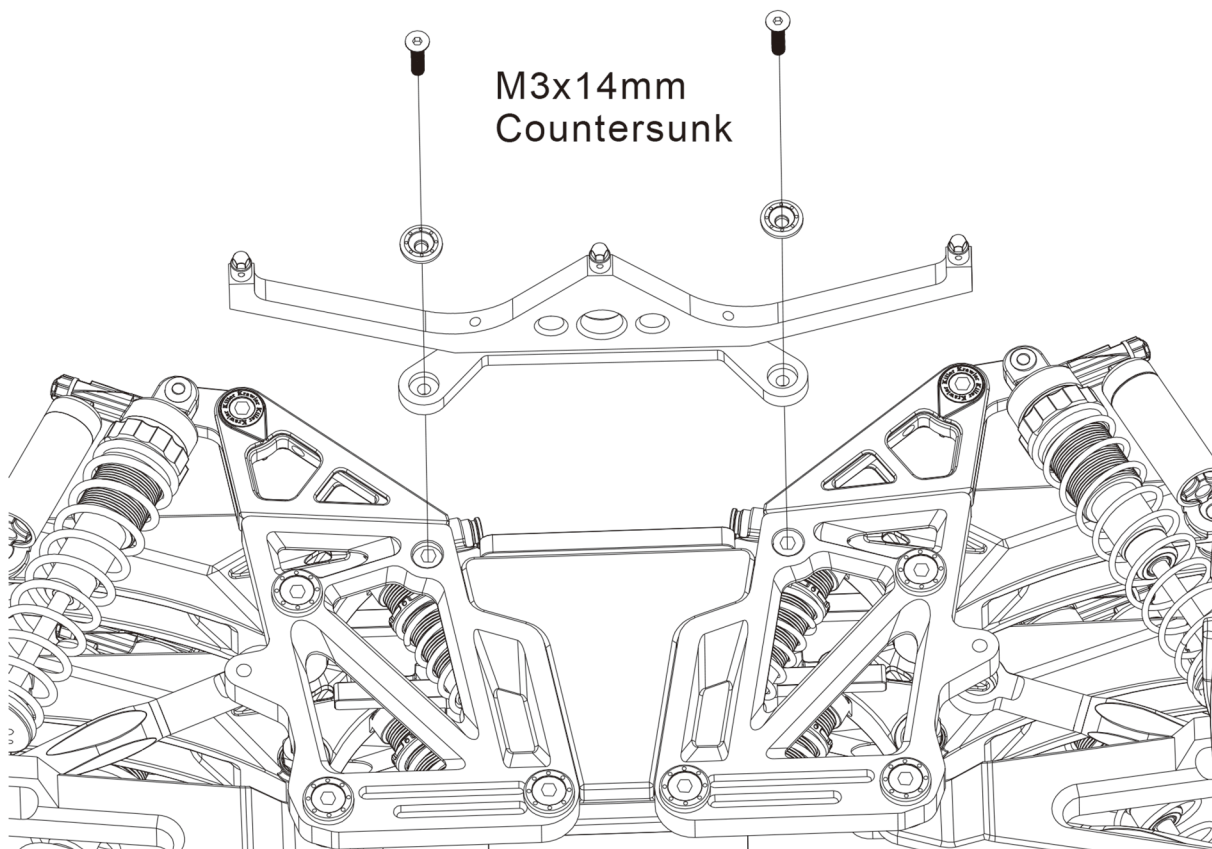
45.* Body mount assembly.
Step 44 need to complete 2 times.
(The metal parts can be found in Bag J/KK2.)



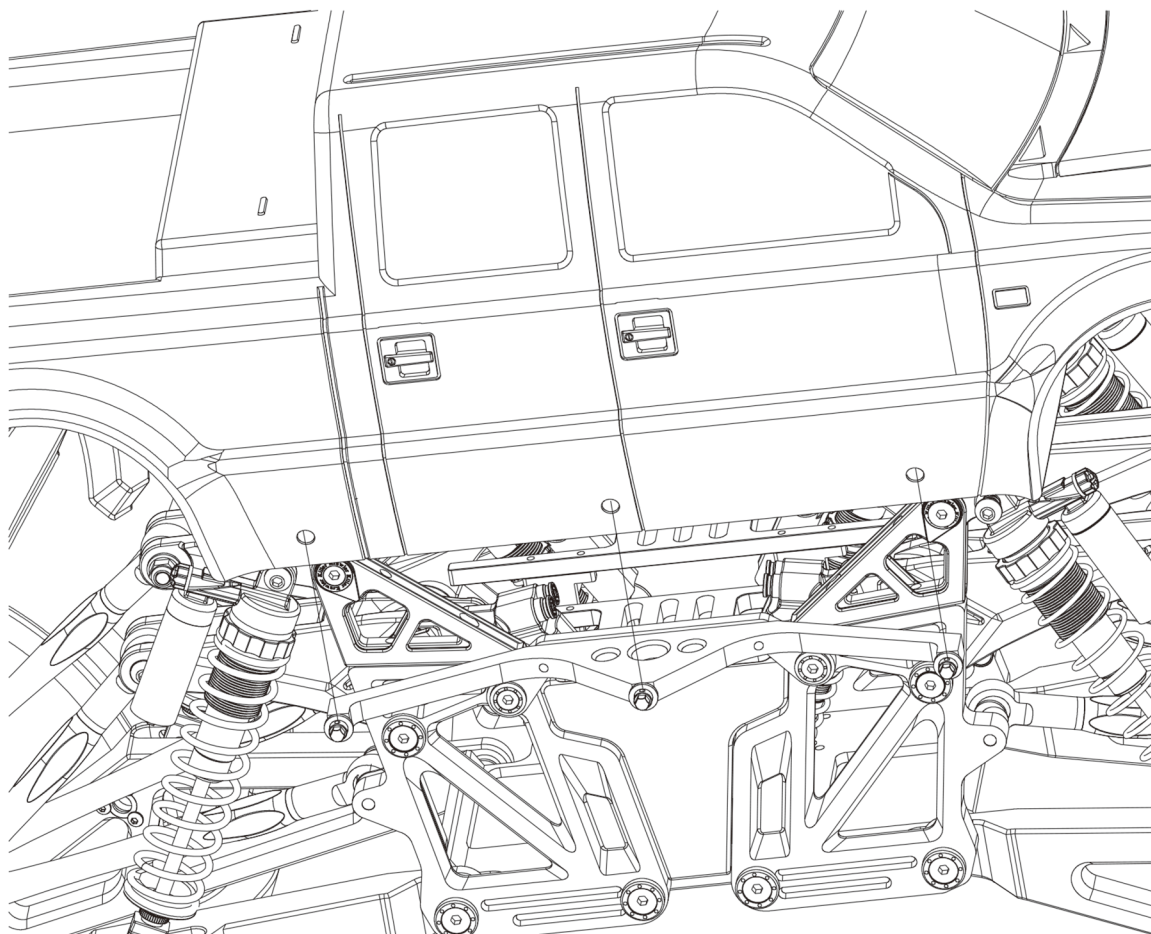
46.* Body mount assembly.



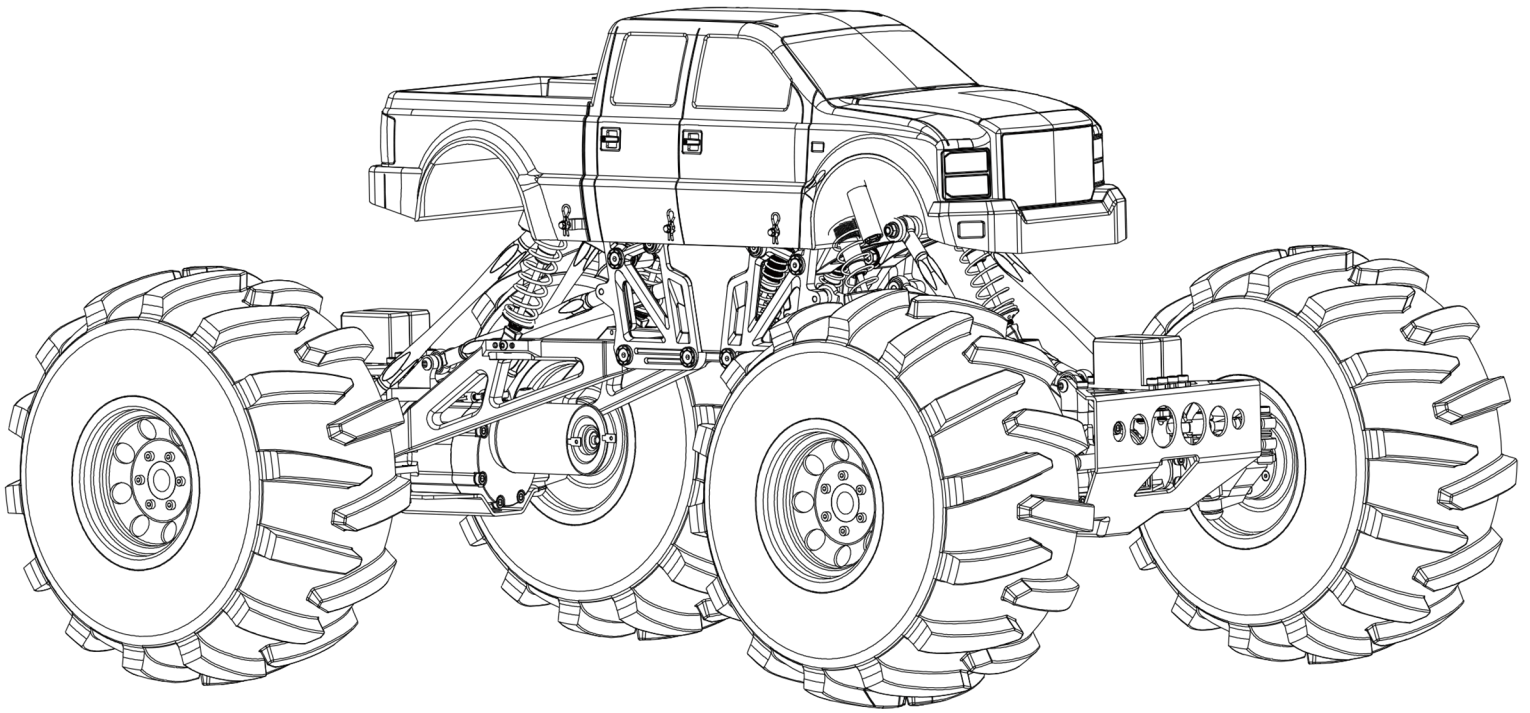
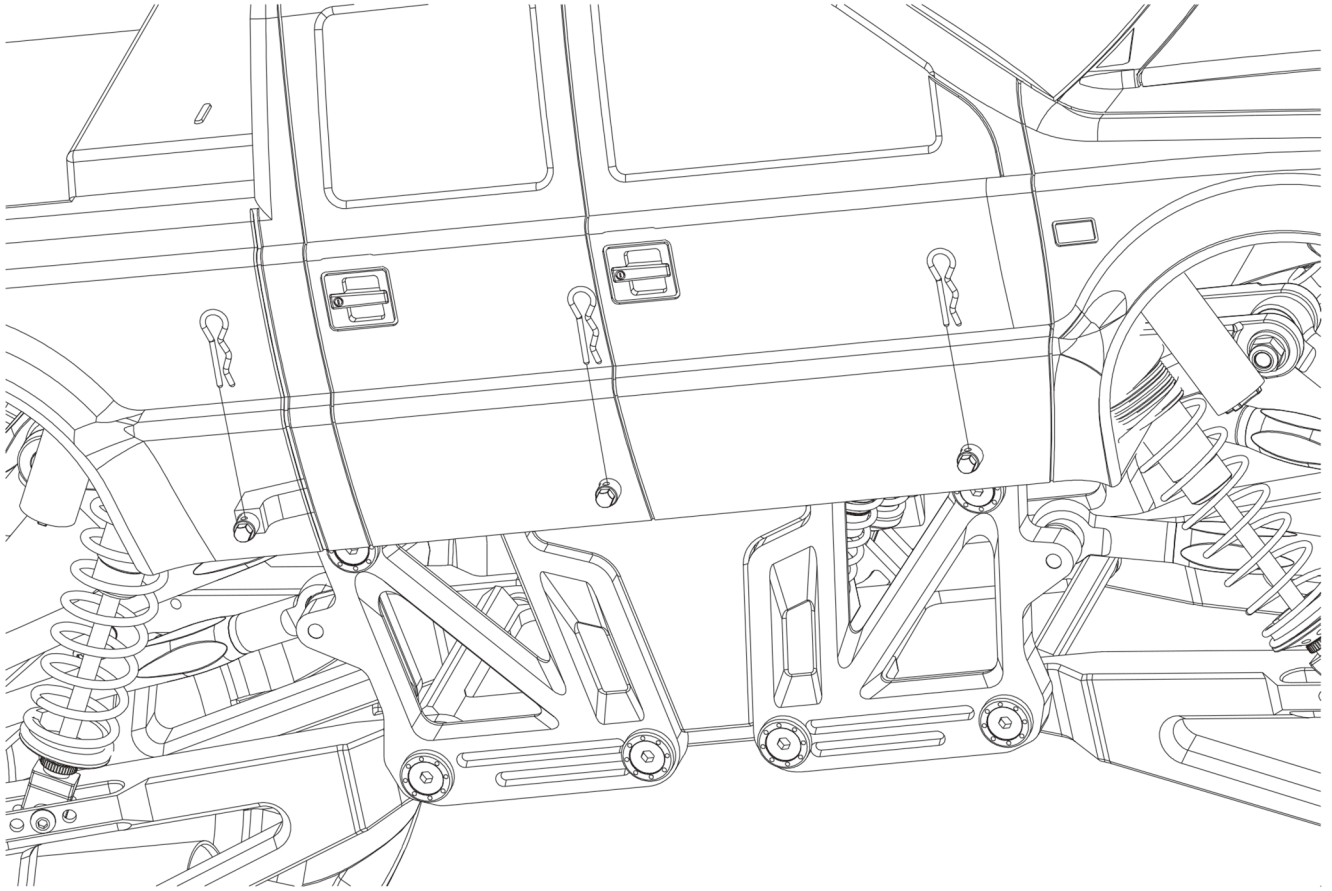
47.* Body mount assembly.
(All the M3 step brass bushing can be found in Bag K/KK2.)



48. Body installation.
(Must drill holes in body with body reamer.)
(Body shown not included.)



49. Body clip installation.
Do this step for both sides.
(All of the body clip can be found in Bag I/KK2.)



Spare parts:

Z-B0057 1/10 Crusher 4 Door Heavy Duty Truck Body (Painted)

Z-W0176 Demolisher Beadlock Wheels

Z-T0020 Demolisher Monster Truck 40 Series 3.8" Tires

Z-B0017 Silver Steel Large Body Clips 1.21mm

Z-S0398 M3 Mini Plastic Rod End (20)

Z-S0182 Heavy Duty Metal Servo Arm For Futaba Type Servo (Black)

Z-S0822 Heavy Duty Metal Servo Arm 25T Futaba

Z-S1180 M6 High Precision Billet Tie Rod End W/M4 Ball (Gunmetal)

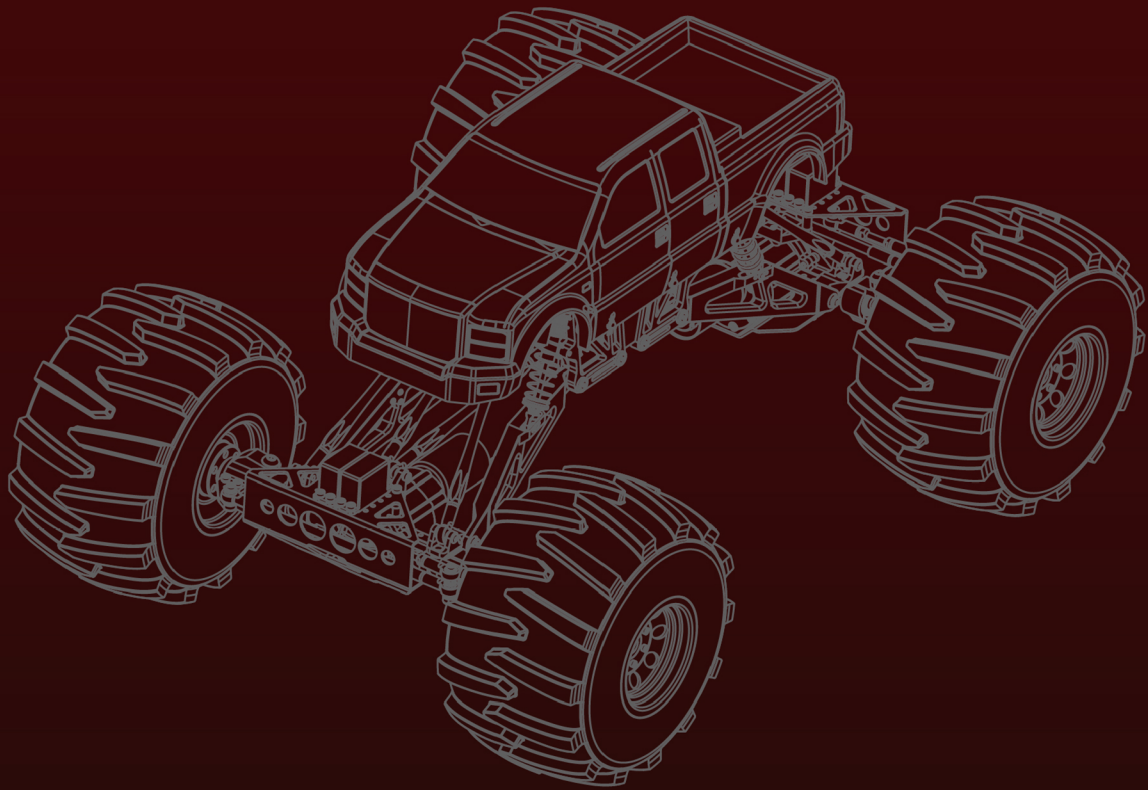
Z-S1190 2mm Nylon Spacer With M6 Hole (4)

Z-S1188 M6 x 30mm Set Screw (6)

Recommended Equipment:

Z-R0012 Radiolink AT9 2.4 GHZ 9 Channel Radio System

Z-E0029 750 Brushed Motor For Killer Krawler



RC4WD 618 Blossom Hill Road,
Ste. 201. San Jose, CA 95123 USA
Web: rc4wd.com Email: support@rc4wd.com