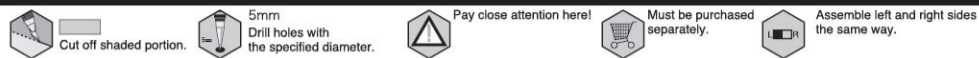
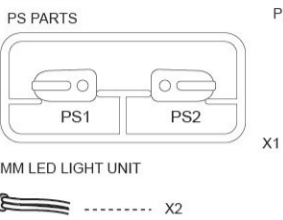


● Symbols used throughout the instruction manual, comprise:

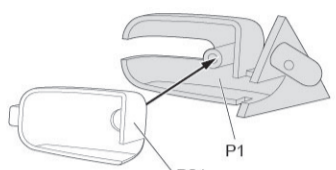
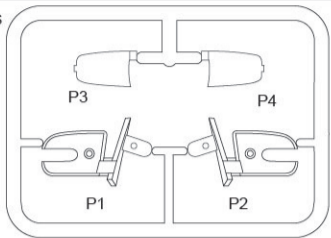


NO.48357

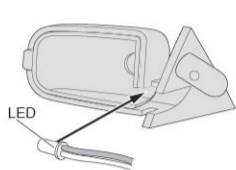
PARTS



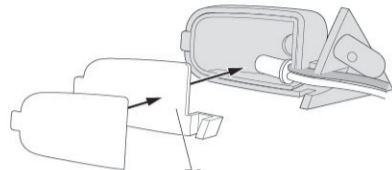
PLASTIC PARTS



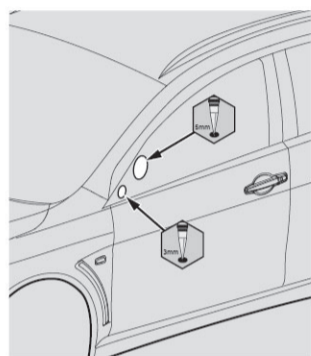
Step 1:
Stick the interior cover inside the wing mirror.



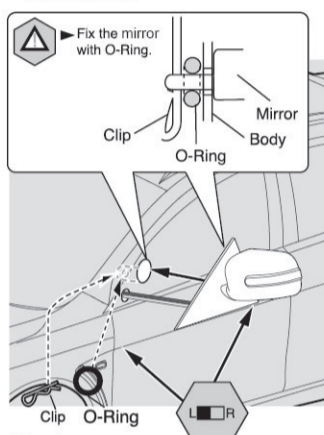
Step 2:
Put the 3mm LED light on the mirror mount.



Step 3:
Put the mirror plate on the wing mirror, then stick the silver mirror decal on the mirror plate.



Step 4:
We recommend using our body reamer to drill mounting holes.



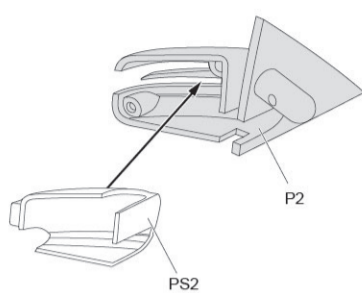
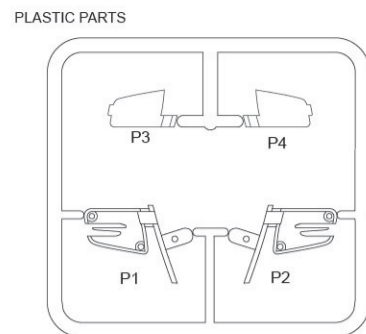
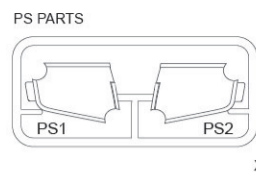
Step 5:
Insert the LED connecting wire and fix the wing mirror with O-Ring on the holes which we drilled in Step 4.



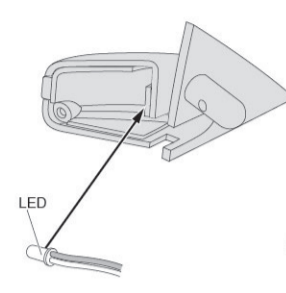
Assembled

NO.48358

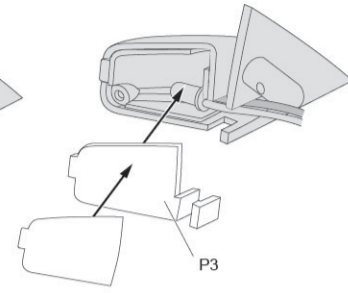
PARTS



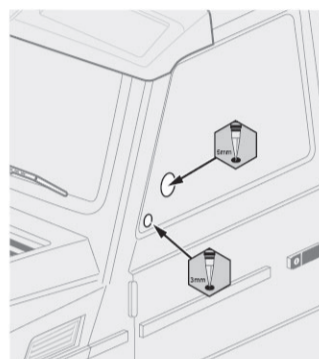
Step 1:
Stick the interior cover inside the wing mirror.



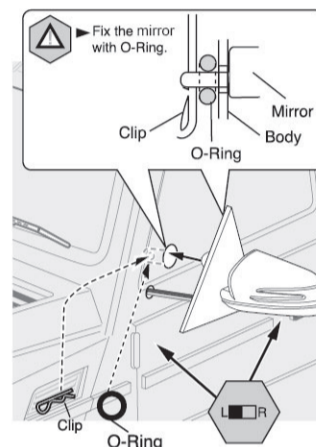
Step 2:
Put the 3mm LED light on the mirror mount.



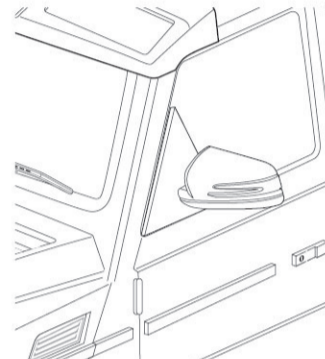
Step 3:
Put the mirror plate on the wing mirror, then stick the silver mirror decal on the mirror plate.



Step 4:
We recommend using our body reamer to drill mounting holes.



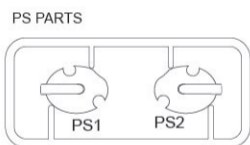
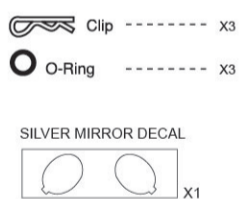
Step 5:
Insert the LED connecting wire and fix the wing mirror with O-Ring on the holes which we drilled in Step 4.



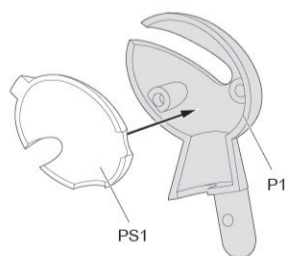
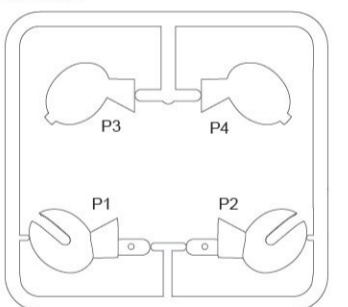
Assembled

NO.48359

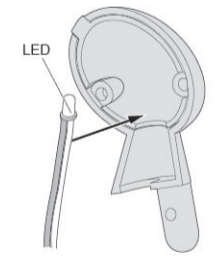
PARTS



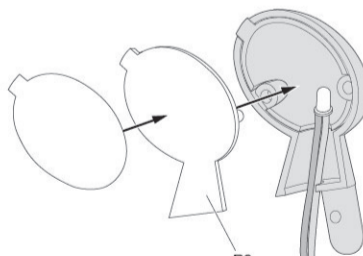
PLASTIC PARTS



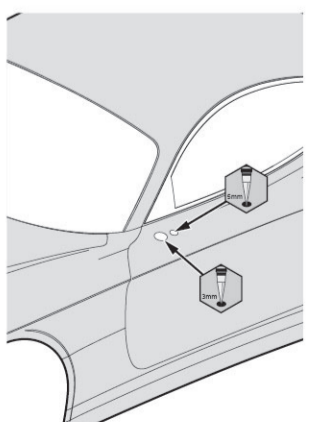
Step 1:
Stick the interior cover inside the wing mirror.



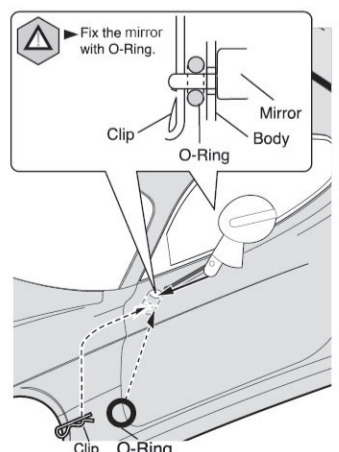
Step 2:
Put the 3mm LED light on the mirror mount.



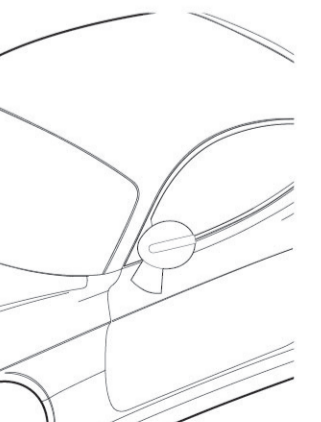
Step 3:
Put the mirror plate on the wing mirror, then stick the silver mirror decal on the mirror plate.



Step 4:
We recommend using our body reamer to drill mounting holes.



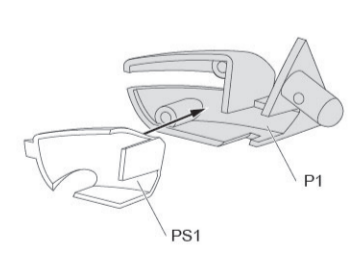
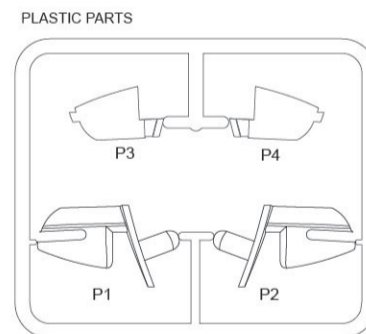
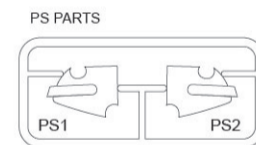
Step 5:
Insert the LED connecting wire and fix the wing mirror with O-Ring on the holes which we drilled in Step 4.



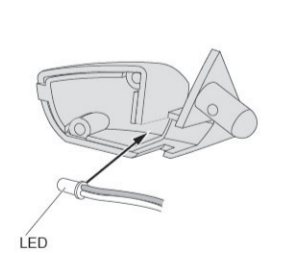
Assembled

NO.48360

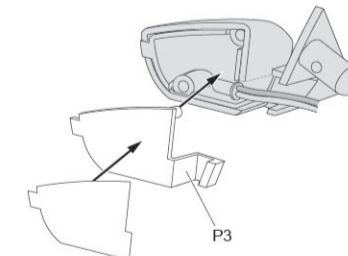
PARTS



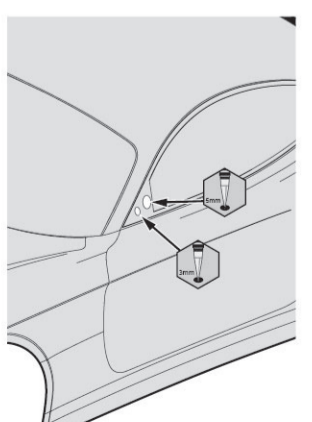
Step 1:
Stick the interior cover inside the wing mirror.



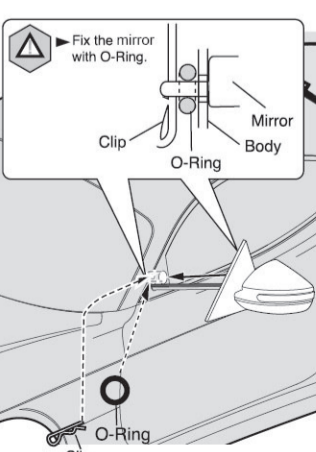
Step 2:
Put the 3mm LED light on the mirror mount.



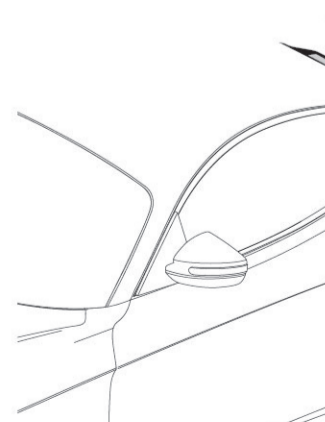
Step 3:
Put the mirror plate on the wing mirror, then stick the silver mirror decal on the mirror plate.



Step 4:
We recommend using our body reamer to drill mounting holes.



Step 5:
Insert the LED connecting wire and fix the wing mirror with O-Ring on the holes which we drilled in Step 4.



Assembled