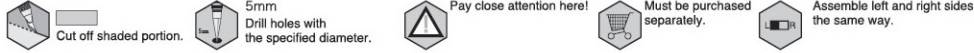


killerbody™

Wing Mirror W/LED Unit Set

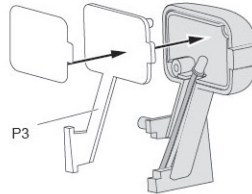
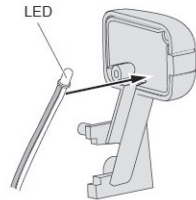
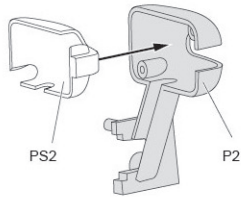
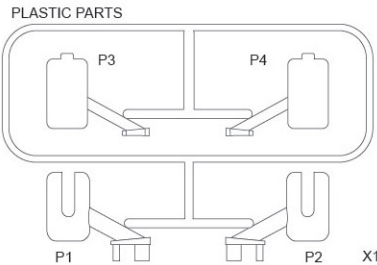
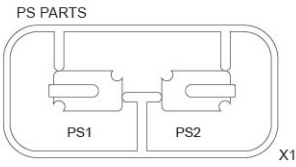
Fit for 1/10 RC Truck
NO.48228
NO.48229

● Symbols used throughout the instruction manual, comprise:



NO.48229

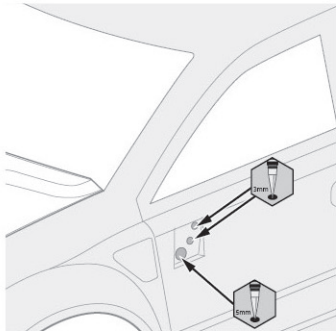
PARTS



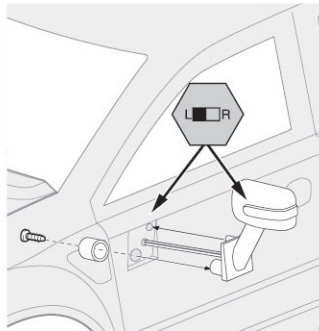
Step 1:
Stick the interior cover inside the wing mirror.

Step 2:
Put the 3mm LED light on the mirror mount.

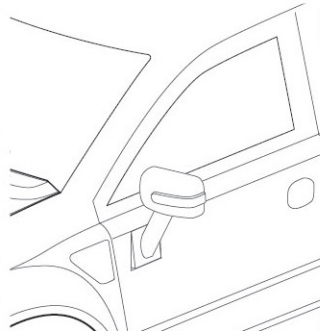
Step 3:
Put the mirror plate on the wing mirror, then stick the silver mirror decal on the mirror plate.



Step 4:
We recommend using our body reamer to drill mounting holes.



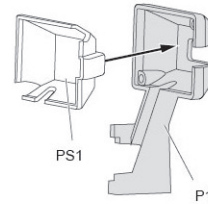
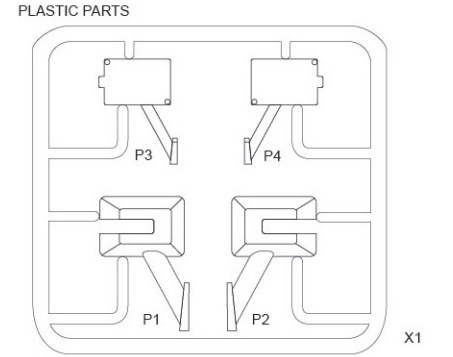
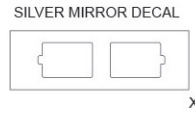
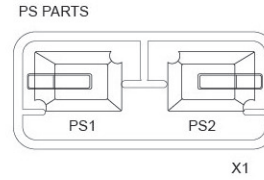
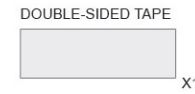
Step 5:
Insert the LED connecting wire and fix the wing mirror with screw on the holes which we drilled in Step 4.



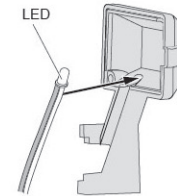
Assembled

NO.48228

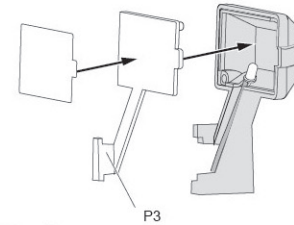
PARTS



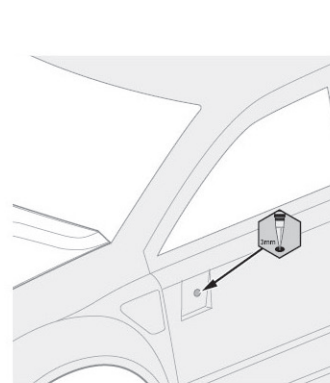
Step 1:
Stick the interior cover inside the wing mirror.



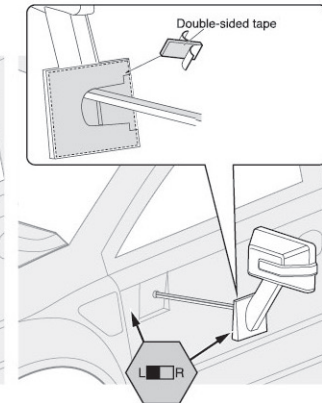
Step 2:
Put the 3mm LED light on the mirror mount.



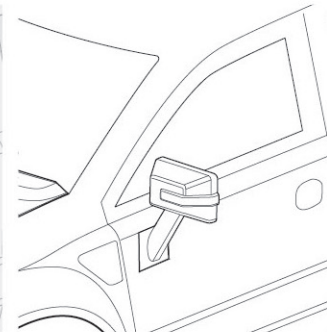
Step 3:
Put the mirror plate on the wing mirror, then stick the silver mirror decal on the mirror plate.



Step 4:
We recommend using our body reamer to drill mounting holes.



Step 5:
Insert the LED connecting wire on the holes which we drilled in Step 4, and fix the wing mirror with double-sided tape.



Assembled