




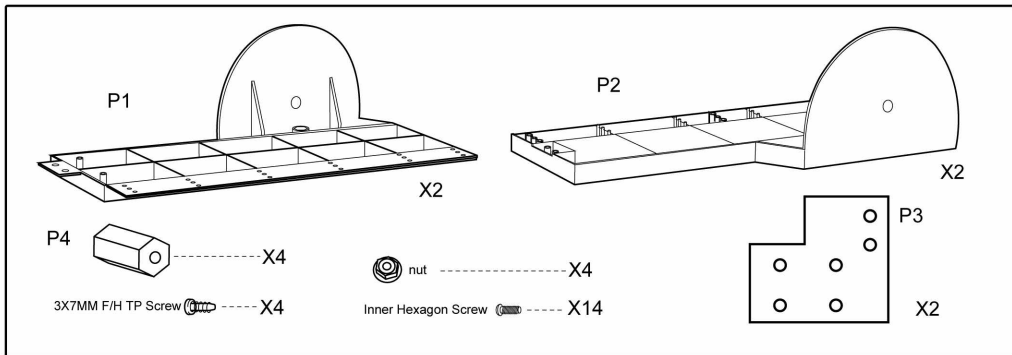


# killerbody™

Chassis for decoration  
 Fits 3 different width  
 Used with 1/10 RC touring car  
 No. 48118

● Symbols used throughout the instruction manual, comprise:

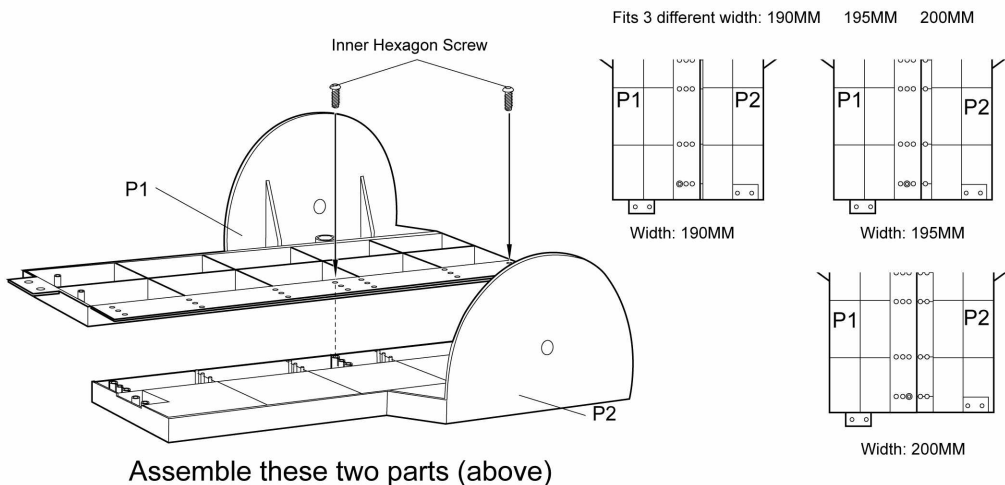
-  Cut out shaded portion.
-  5mm Drill holes with the specified diameter.
-  Pay close attention here!
-  Must be purchased separately.
-  Assemble left and right sides the same way.



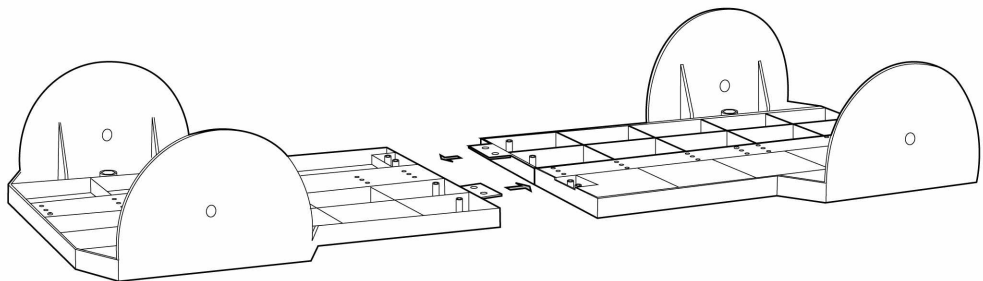
Parts list:

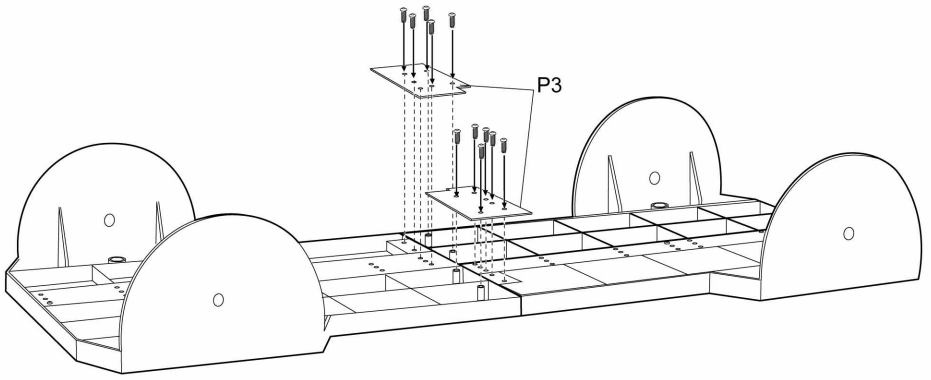
- P1 X2
- P2 X2
- P3 X2
- P4 X4
- 3X7MM F/H TP Screw X4
- nut X4
- Inner Hexagon Screw X14

Fits 3 different width: 190MM 195MM 200MM

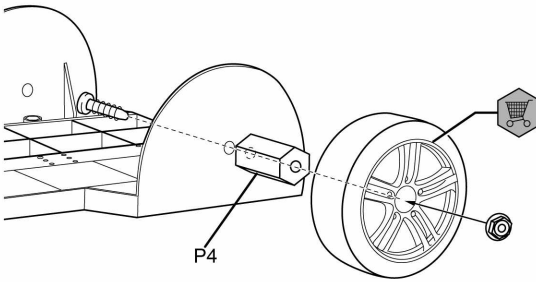


Assemble these two parts (above)

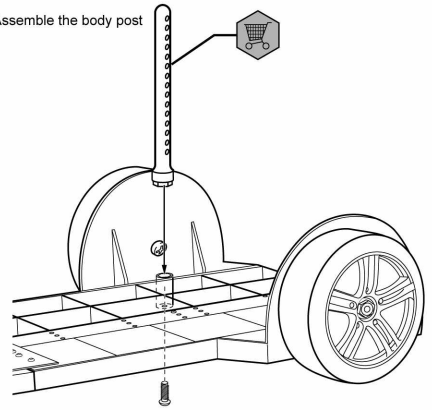




Assemble the tires



Assemble the body post



▲ Use the extension body mount (sold separately) if the body mount height is not enough.

