

CAMARO

BODY SHELL

Official Licensed Product

NO.48023

killerbody™

1/10RC PLANNING INSTRUCTION SHEET

This body can be used with 1/10 electronic touring car chassis (Long Wheelbase: 257mm Width: 190mm)

● Symbols used throughout the instruction manual, comprise:



Cut off shaded portion.



5mm
Drill holes with the specified diameter.



Pay close attention here!



Must be purchased separately.



Assemble left and right sides the same way.



● Before Assembly

Decoration Body

- ▶ In the case of a decoration body, please assemble it according to the contents showed.

When making the window transparent:

- ▶ If you want to make the window transparent with a non decoration body, please assemble it according to the contents showed.

Non Decoration Body

- ▶ In the case of non decoration body, please assemble it according to the contents showed.




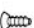
When loading LED lights

- ▶ If you want to load LED lights with a non decoration body, please assemble it according to the contents showed.

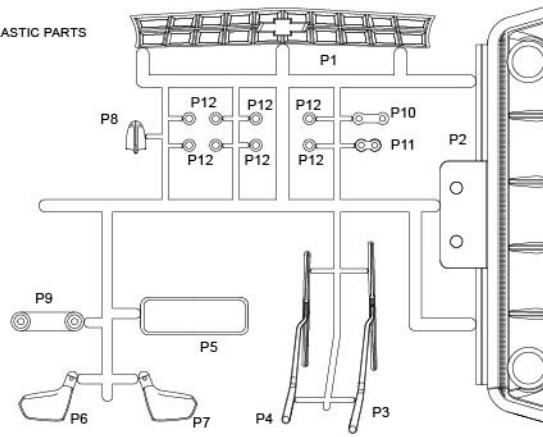
PARTS

BODY	-----	X1
PLASTIC PARTS	-----	X1
ELECTROPLATED PARTS	-----	X1
WINDOW MASKS	-----	X1

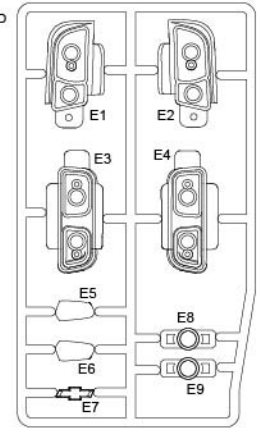
PARTS BAG

	LED STOPPER	-----	X2
	Clip	-----	X10
	O-Ring	-----	X5
	TAPPING SCREW	-----	X12
-----	DOUBLE-SIDED TAPE	-----	X1
-----	ALUMINUM TAPE	-----	X1

PLASTIC PARTS



ELECTROPLATED PARTS

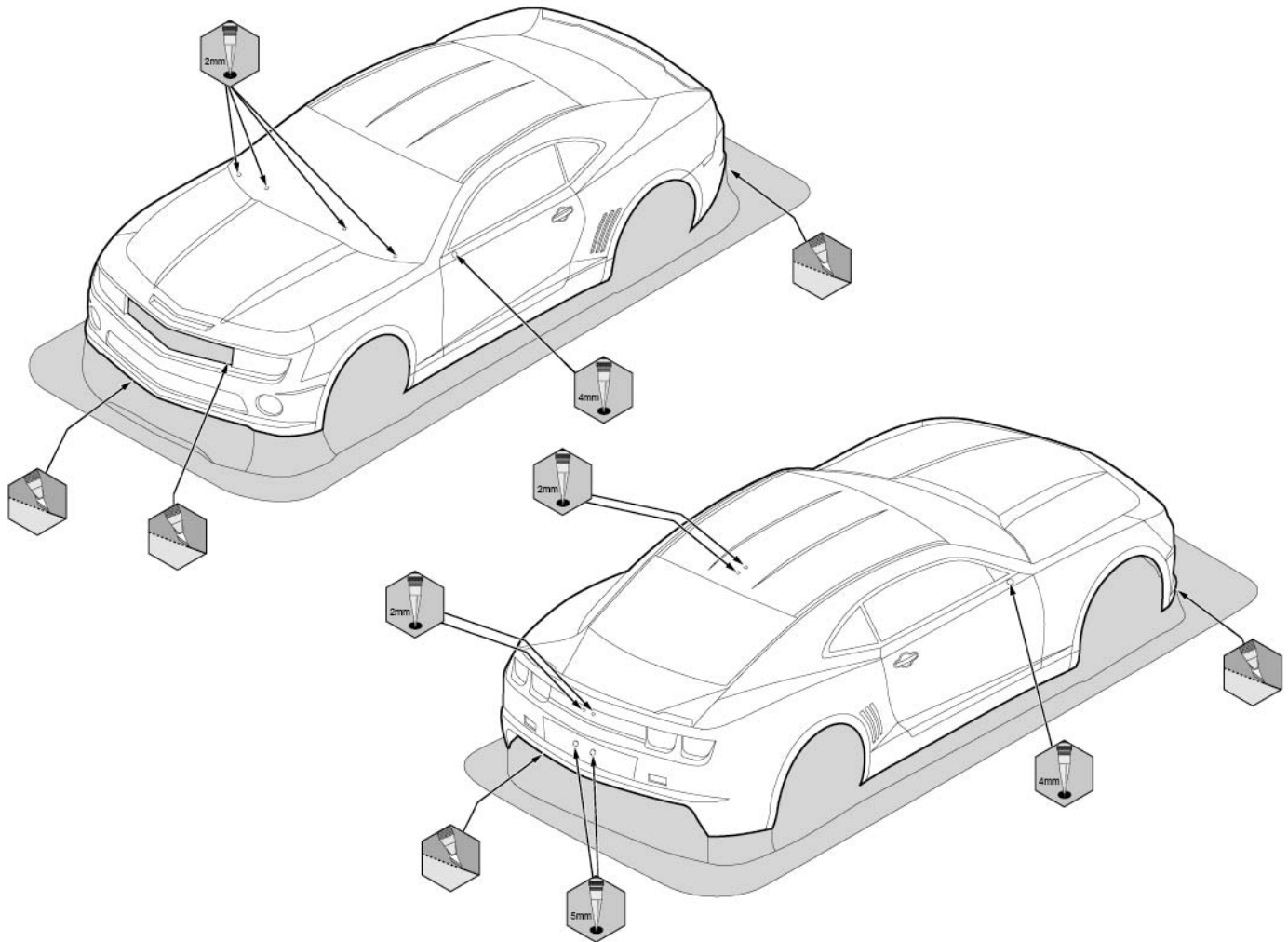


1 Body Shell

When making the window transparent:

Non Decoration Body

When loading LED lights



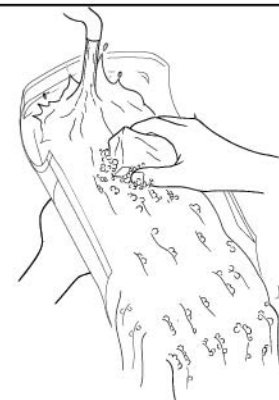
2 Painting

Non Decoration Body

When loading LED lights

- Before painting, use a neutral detergent to remove any oil residues and dirt.

When making the window transparent:

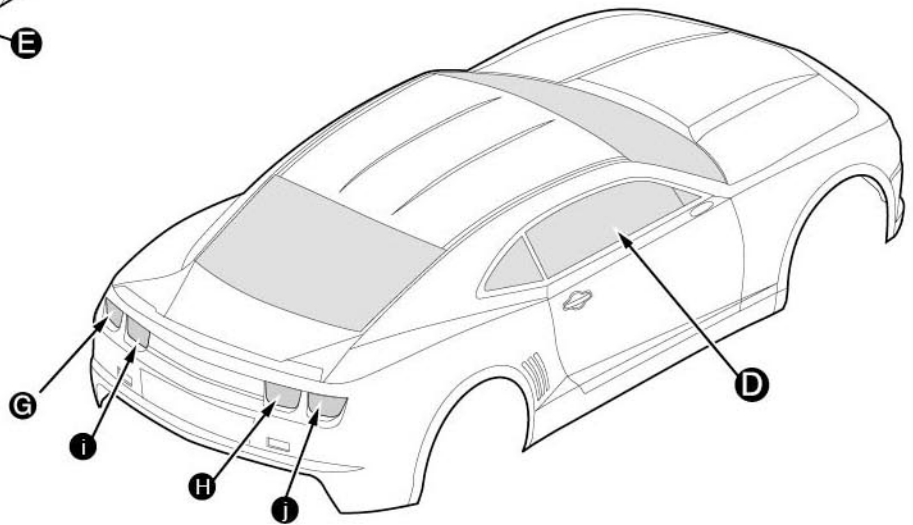
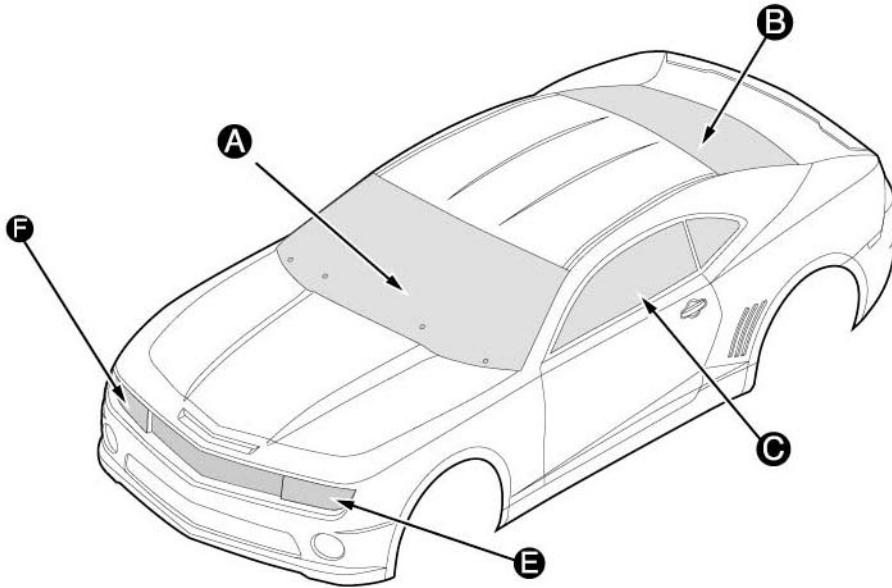
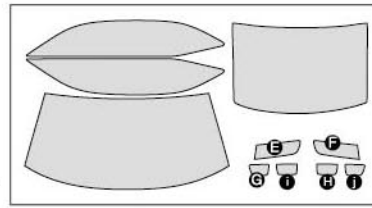
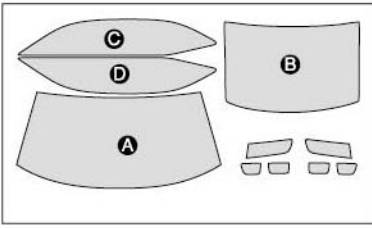


When making the window transparent:

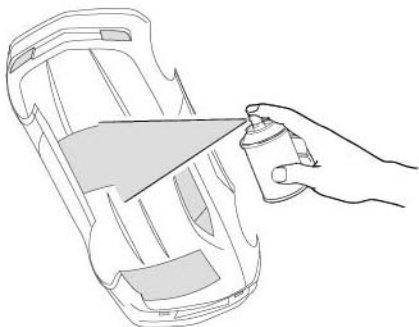
When loading LED lights

2 Mask the windows from the inside.

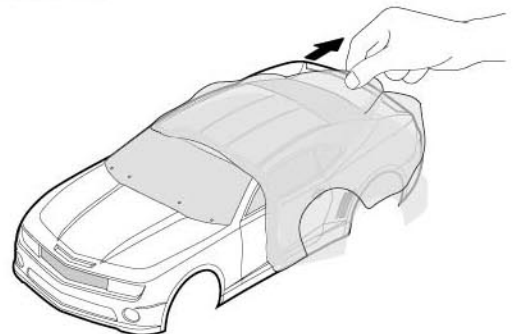
2 Mask the lights from the inside.



3 Paint the body shell from the inside.



4 After painting, remove the protective film from the body shell.



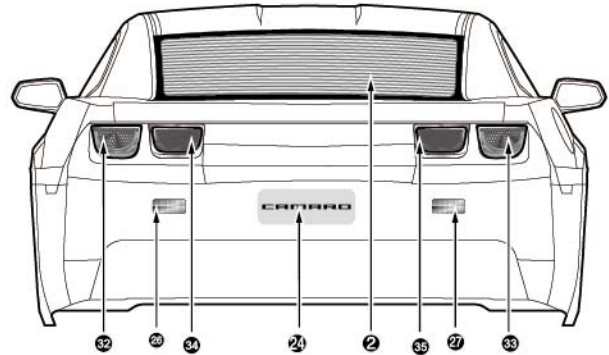
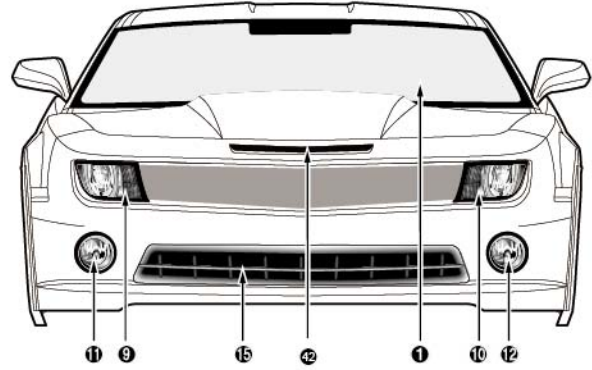
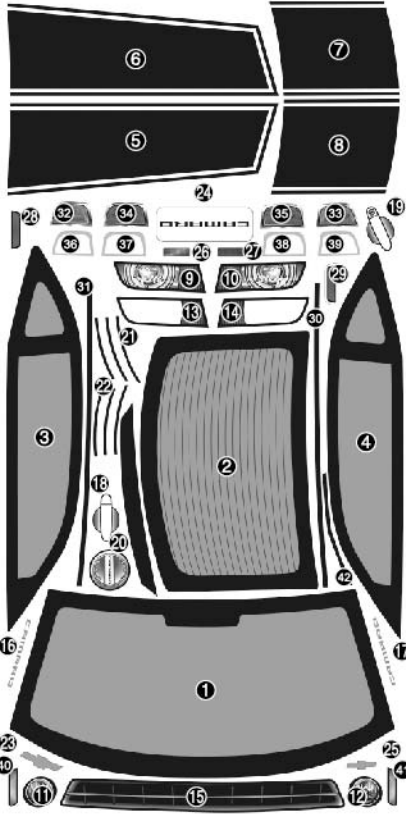
3 Decal

When making the window transparent

Non Decoration Body

When loading LED lights

► The decal numbers between brackets are only for the opposite side.



< Decal >

When making the window transparent

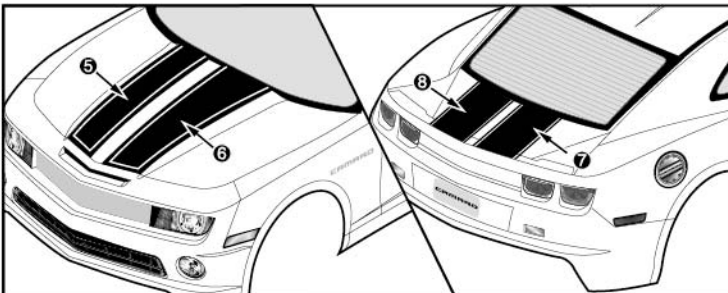
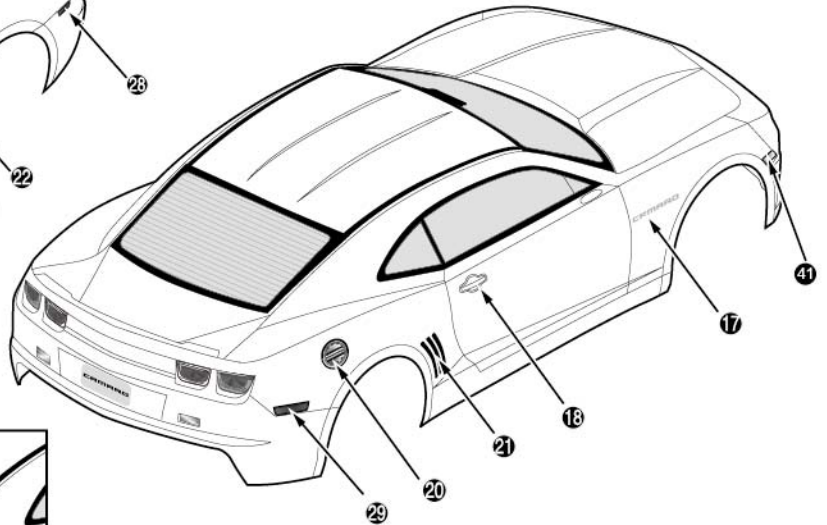
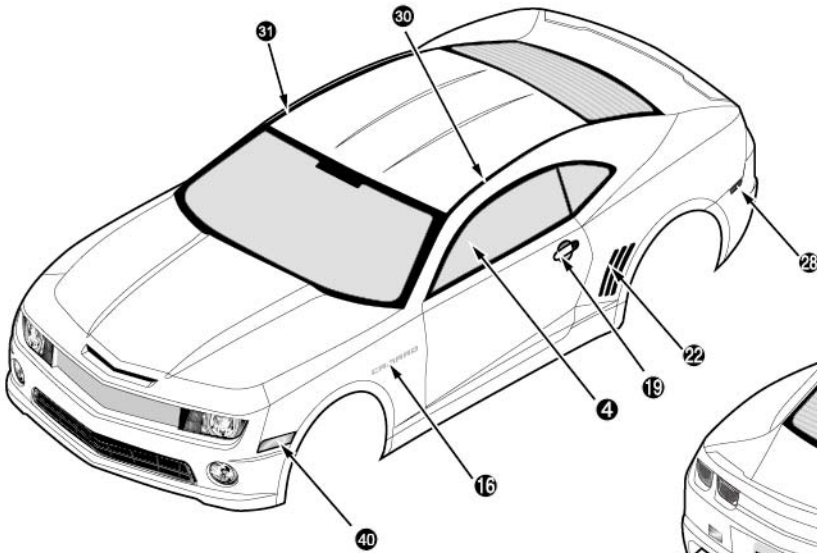
When reproducing the light by decal



► 1 3 4 Cut the translucent (smoked color) part.

► Change the decal according to the following contents.

- | | |
|---------|---------|
| 9 → 13 | 10 → 14 |
| 32 → 36 | 33 → 39 |
| 34 → 37 | 35 → 38 |



4 Plastic Parts

Decoration Body

When making the window transparent:

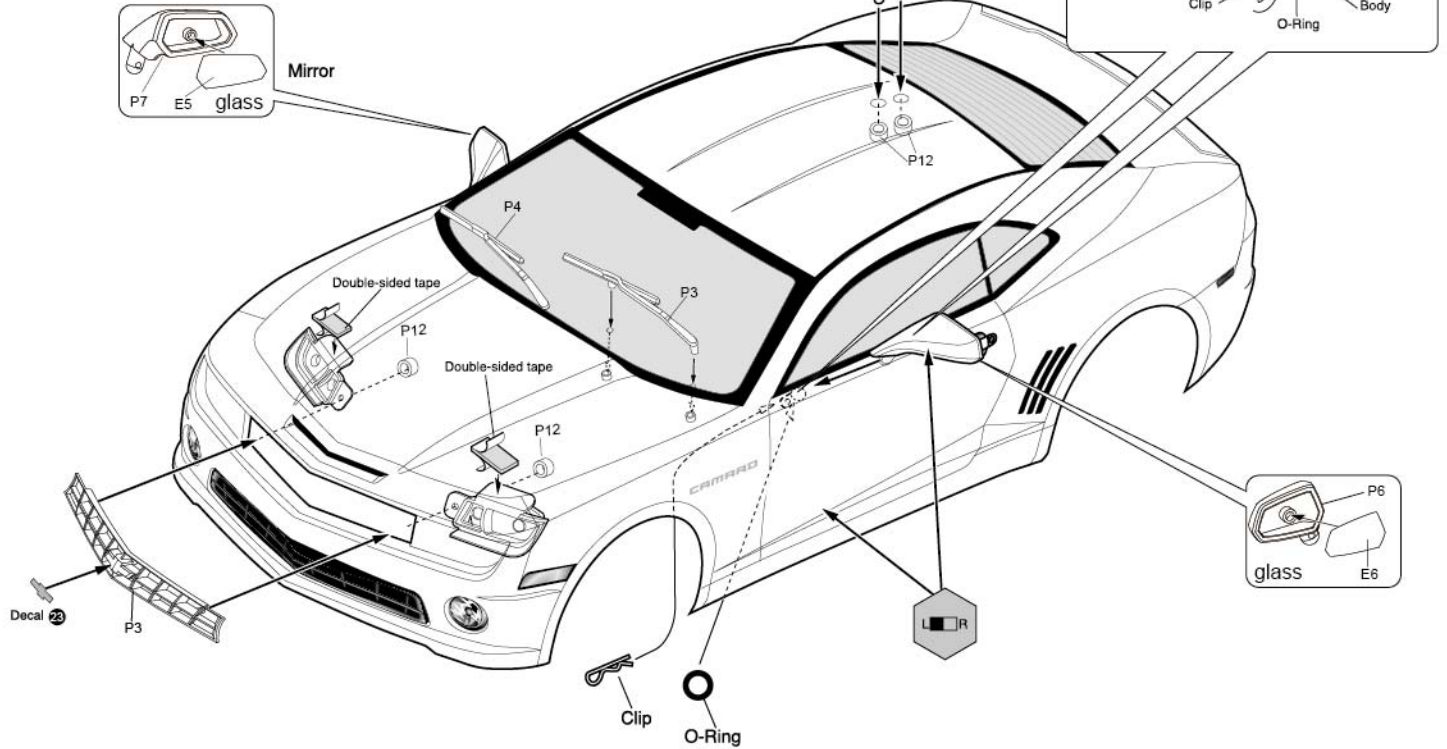
Non Decoration Body

When loading LED lights

2 x 7mm F/H TP Screw



O-Ring



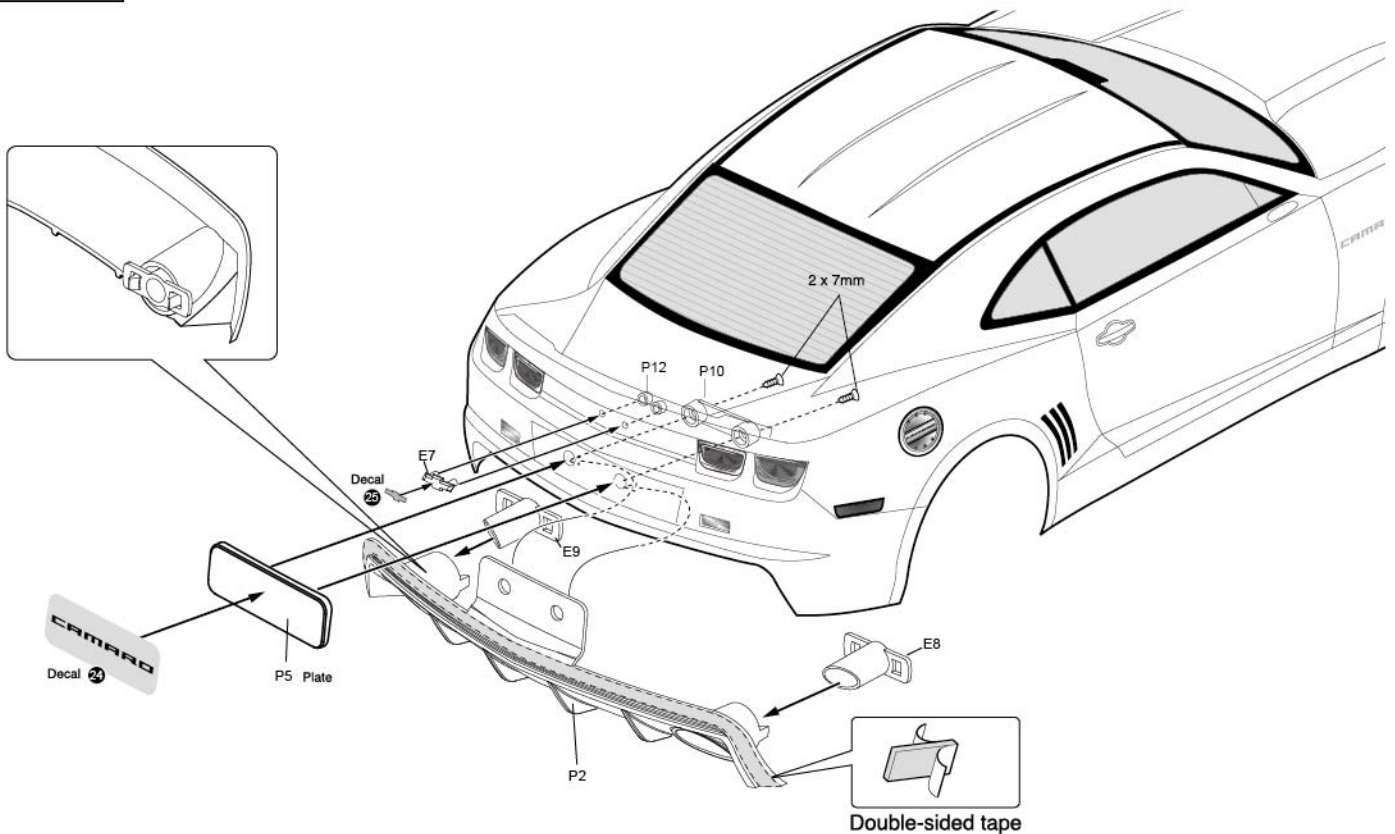
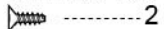
5 Plastic Parts

When making the window transparent

Non Decoration Body

When loading LED lights


2 x 7mm F/H TP Screw



6 Plastic Parts

When loading LED lights

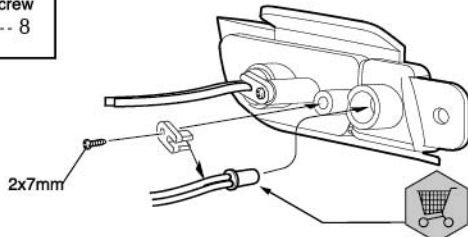
LED STOPPER

-  8
- 2 x 7mm F/H TP Screw 8

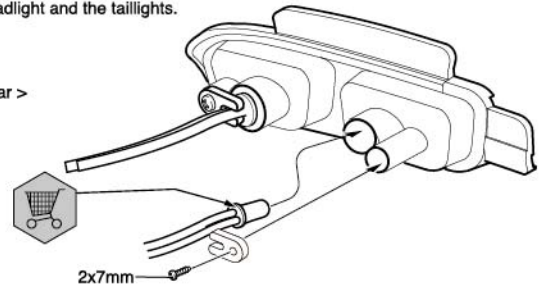


- ▶ Please tape the wiring, etc. on the body using the attached aluminum tape.
- ▶ Please put the attached aluminum tape on the top and bottom of the headlight and the taillights.

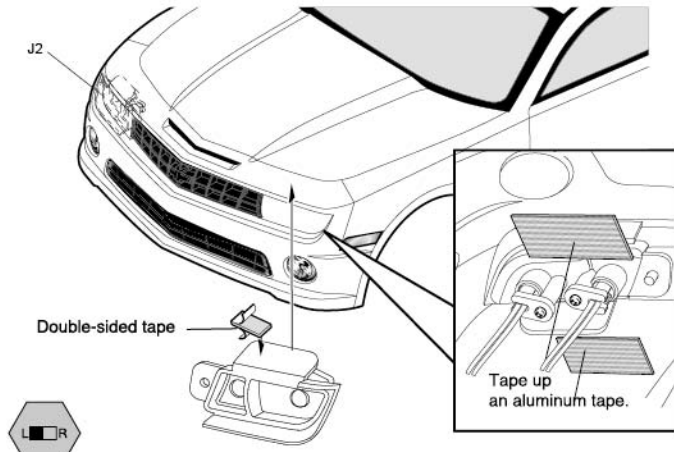
< Front >



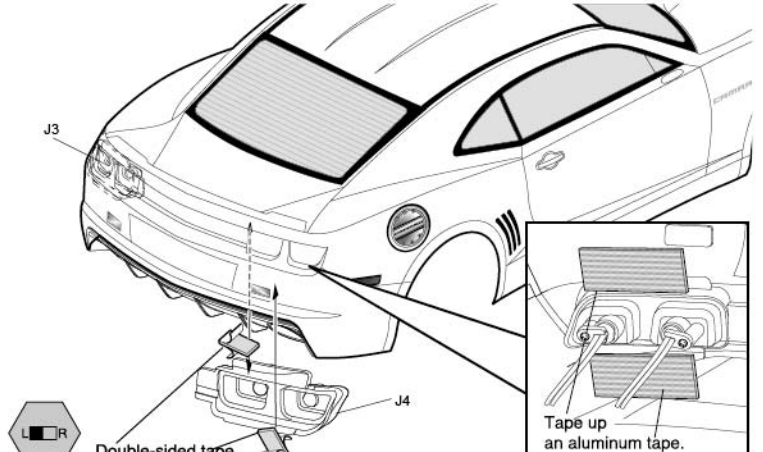
< Rear >



< Front >



< Rear >



7 Body

Decoration Body

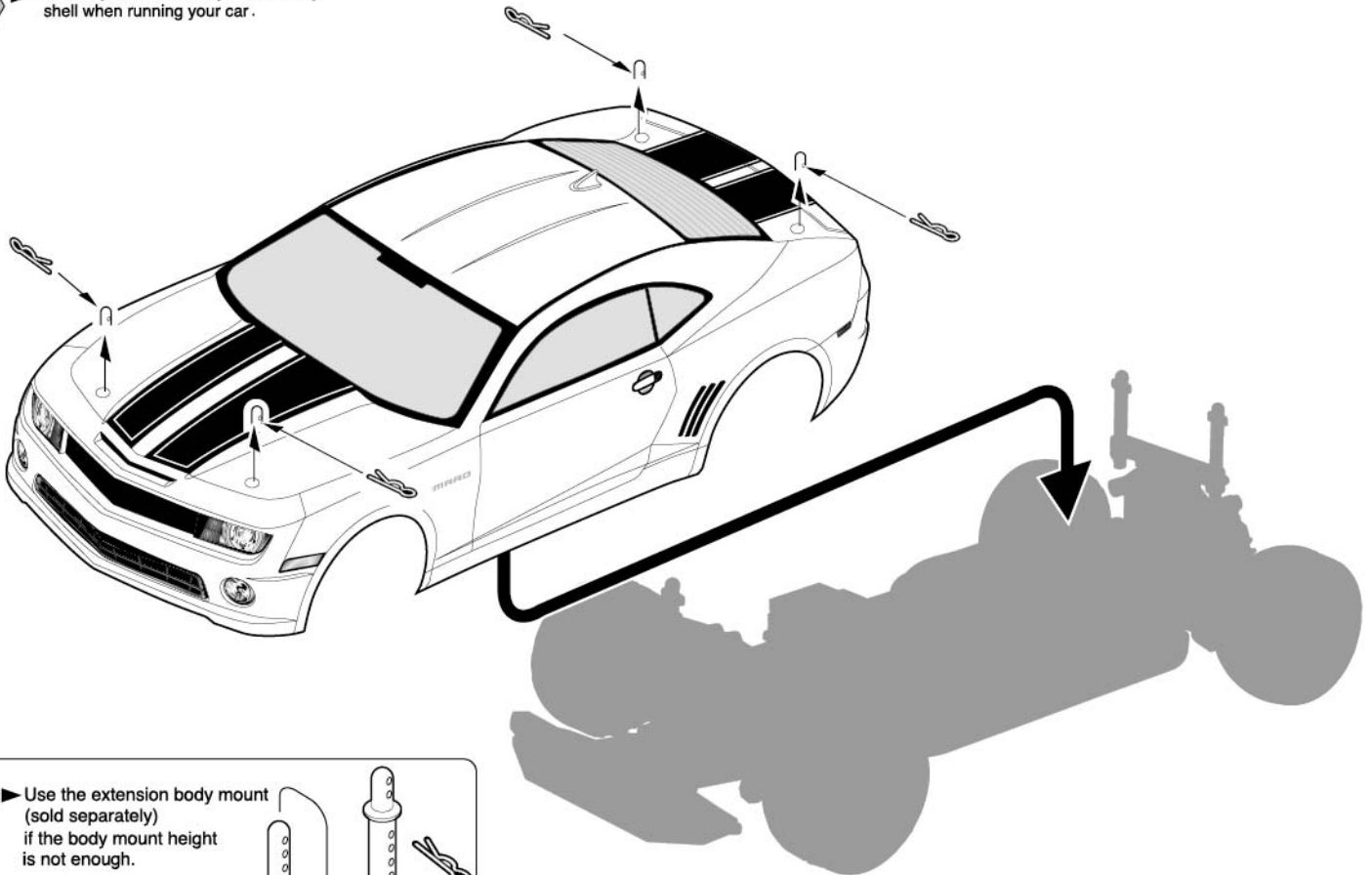
Non Decoration Body

When making the window transparent:

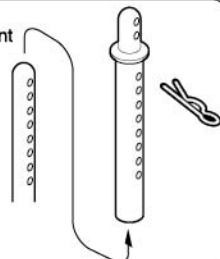
When loading LED lights



- ▶ For safety reasons, always fit the body shell when running your car.



- ▶ Use the extension body mount (sold separately) if the body mount height is not enough.



Option Parts & Accessory

No.	Part Names	No.	Part Names
48023	Camaro Clear Body	48102	LED Light System w/Control Box (12 LEDES)
48024	Camaro Finished Body Yellow (Printed)	48103	LED Light System w/Control Box (18 LEDES)
48025	Camaro Finished Body Red (Printed)	48066	Liquid Masking Medium
48026	Camaro Finished Body Silver (Printed)	48105	Body Mount
48027	Camaro Finished Body Silver-grey (Printed)	48118	Chassis for decoration fits 3 different width
48028	Camaro Finished Body Iron-oxide-red (Printed)	48098	LED Light Unit Set & Wing Mirror
48029	Camaro Finished Body Metallic-blue (Printed)	48060	LED Light Unit Set & Wing Mirror
48030	Bodykit (Camaro)	48081	Caliper Brake Disc(CNC Aluminum)
48031	Electroplated Light Bucket (Camaro)		
48032	Injection Accessories (Camaro)		
48079	Rim CNC aluminum alloy (Camaro)		
48076	Tyre		
48078	Tyre		
48080	Tyre		
48081	Brake Disc (Aluminum)		
48067	Warning Light		
48109	Rear Wing (lexan molded) Clear		
48110	Rear Wing (lexan molded) Carbon fiber pattern		
48111	Wing Mount (Aluminum)		
48068	LED Light System w/Control Box (2 LEDES)		
48099	LED Light System w/Control Box (4 LEDES)		
48069	LED Light System w/Control Box (6 LEDES)		
48100	LED Light System w/Control Box (8 LEDES)		
48101	LED Light System w/Control Box (10 LEDES)		

WWW.KILLERBODYRC.COM