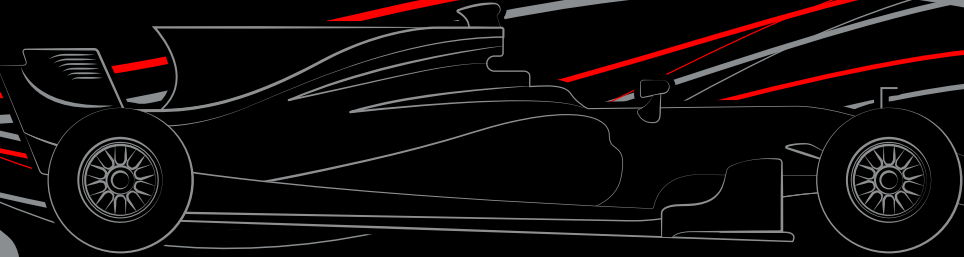




# FX10

*Engineered to be the fastest*



CHECK FOR THE LATEST  
VERSION OF THIS  
INSTRUCTION MANUAL

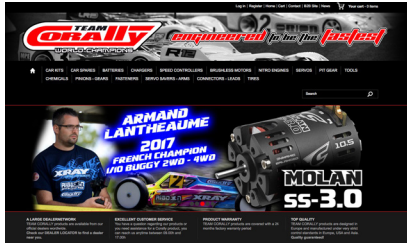


## INSTRUCTION MANUAL

2018-V4

**STAY  
TUNED...**

**WWW.CORALLY.COM**



<https://www.facebook.com/Team.Corally>

**RECOMMENDED  
ACCESSORIES**

To obtain the maximum performance out of your FSX-10 we recommend the following accessories

**"CS 4014" SERVO  
ULTRA HIGH SPEED  
HIGH VOLTAGE SERVO**

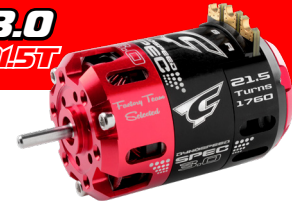
# C-52002



- Ultra High Speed
- High Voltage 6 - 8.4V
- Coreless Motor
- Titanium Gears
- 12 Kg Torque/cm @ 7.4V
- Speed 0.08 sec/60°
- 40.5 x 20.5 x 26mm

**DYNOSPEED  
SPEC 3.0  
STOCK 215T**

# C-61103



Features

- Precision machined T6 aluminium motor can
- High purity copper windings maximizes conductivity
- High power solder tabs
- Removable and replaceable rotor
- Powerful sintered Neodymium magnet
- Improved stator design for higher efficiency
- Dual Sensor Port
- Adjustable Timing
- Compatible with all Sensored/ Sensorless ESC
- Compliant with EFRA, BRCA, IFMAR, ROAR rules

**CONTROLLER "CERIX 120 PRO"**

# C-53002-1



- For sensored and sensorless motors
- Manufactured with the highest grade components
- Ultra compact design
- Aluminium case for improved heat dissipation
- Built in power switch
- Advanced boost & turbo timing system for improved acceleration performance
- Enhanced throttle & brake control function.
- 10 programmed profiles can be stored in the ESC
- BEC voltage 6.0V 3A Current
- Powerful TC Link software to test motor timing and advise the best ESC timing setting





## VOLTAX 120C



# C-49505



# C-49500

## VOLTAX HV 120C



# C-49605



# C-49600

## TOOLS NEEDED FOR ASSEMBLY

### Hex Drivers

Aluminium handle • Hardened tool tip



C-16130	Factory Pro Tool - Hex Driver 1.5 mm
C-16131	Factory Pro Tool - Hex Driver 2.0 mm
C-16132	Factory Pro Tool - Hex Driver 2.5 mm
C-16133	Factory Pro Tool - Hex Driver 3.0 mm

### Nut Drivers

Aluminium handle • Hardened tool tip



C-16161	Factory Pro Tool - Nut Driver 5.5 mm
C-16162	Factory Pro Tool - Nut Driver 7.0 mm

### 100 Lock-It Screwlock - Soft

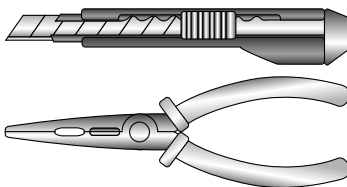


C-13094

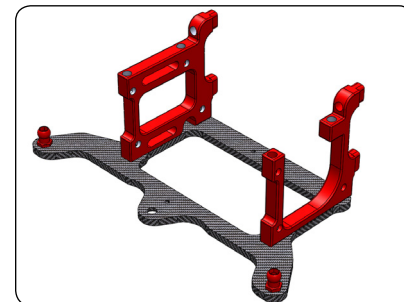
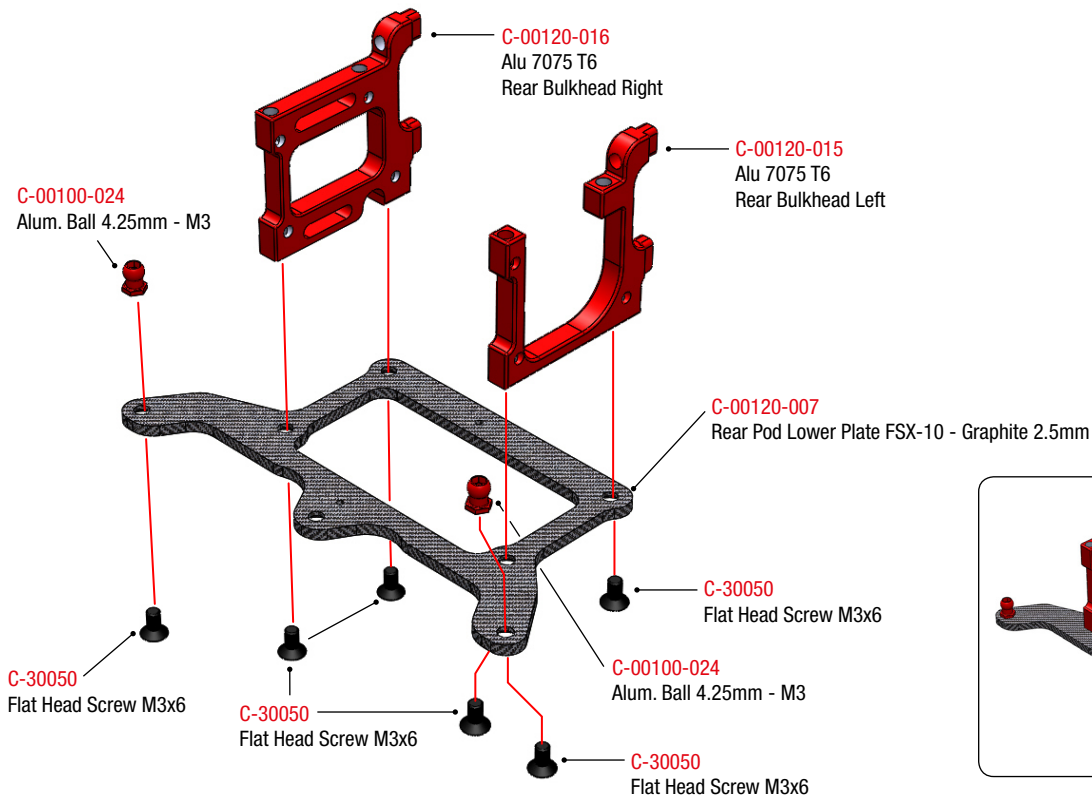
### 105 Stick-It Thin - CA Glue



C-13090

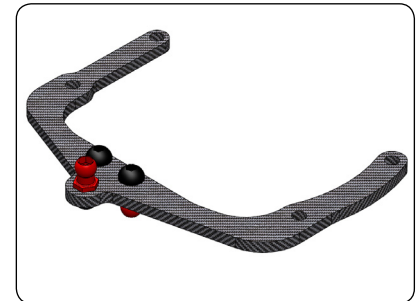
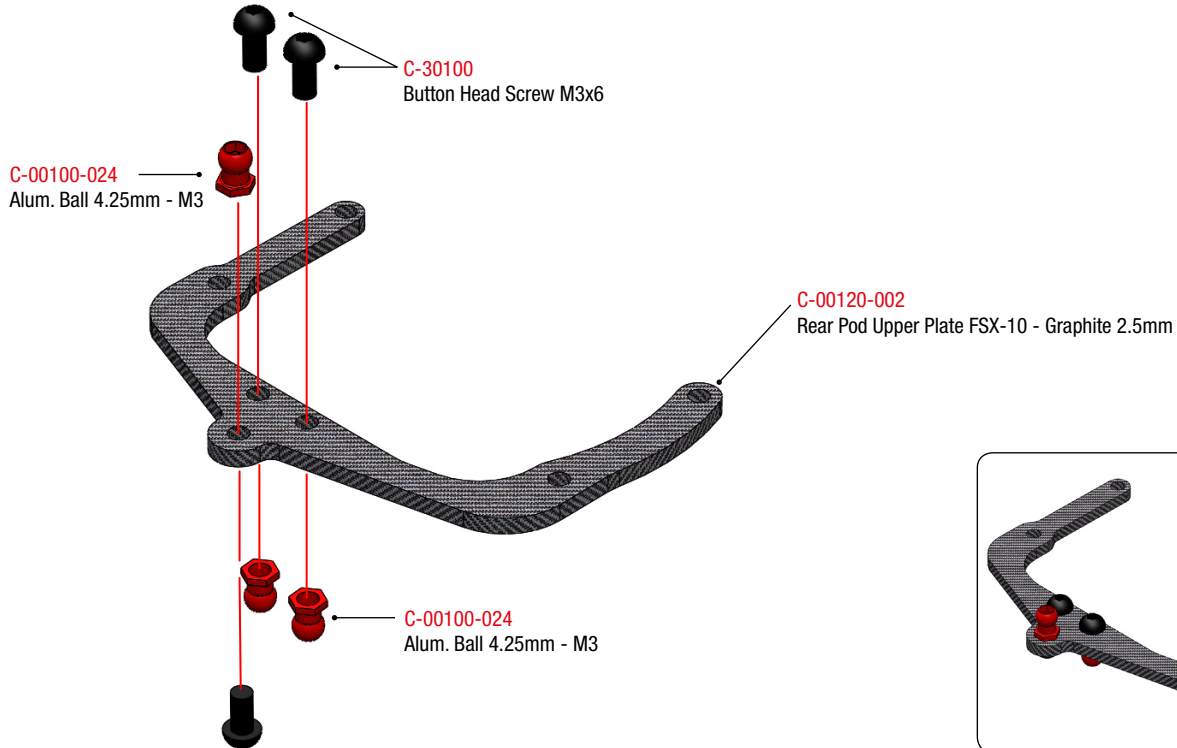


**1 REAR POWER POD ASSEMBLY**

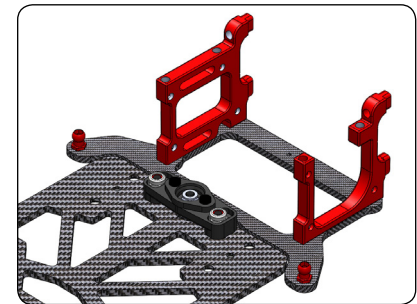
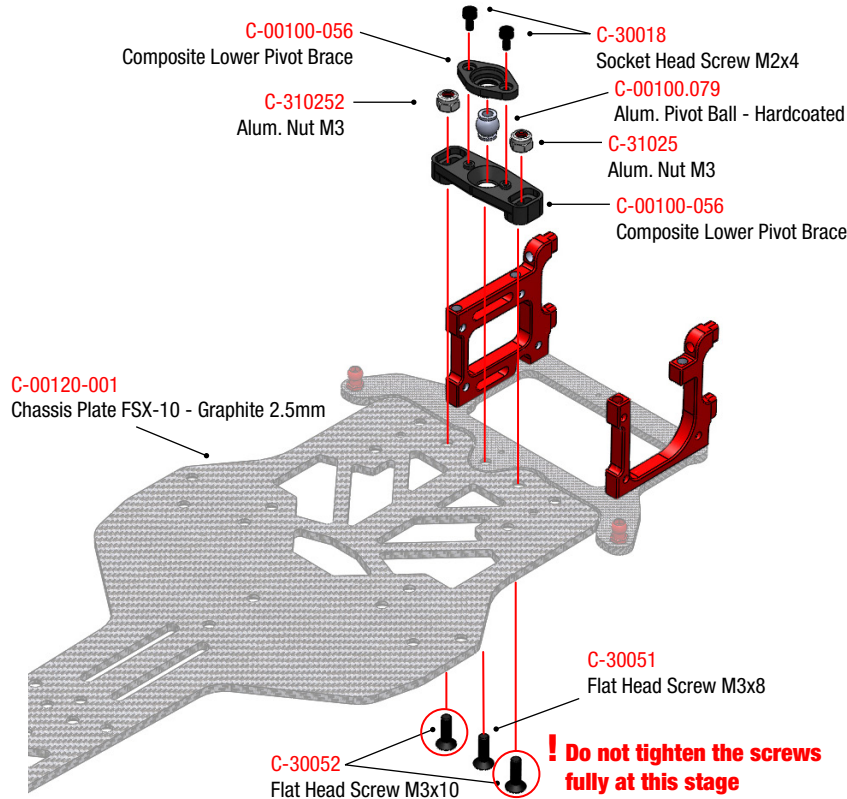




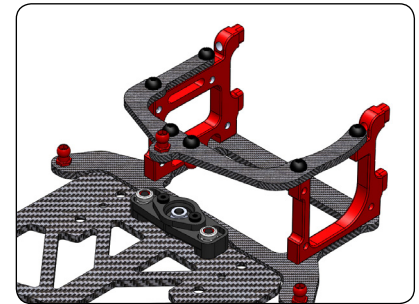
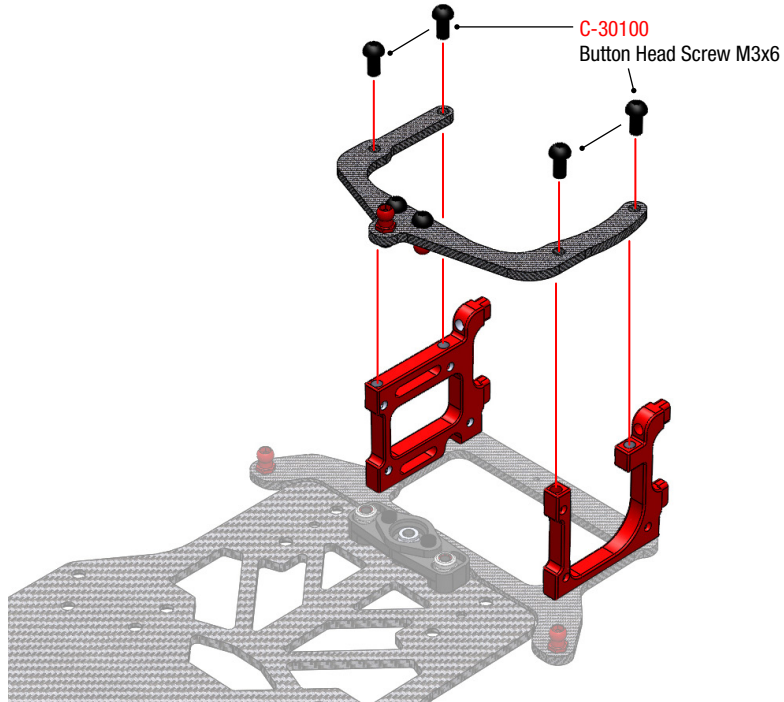
## 2 REAR POWER POD ASSEMBLY



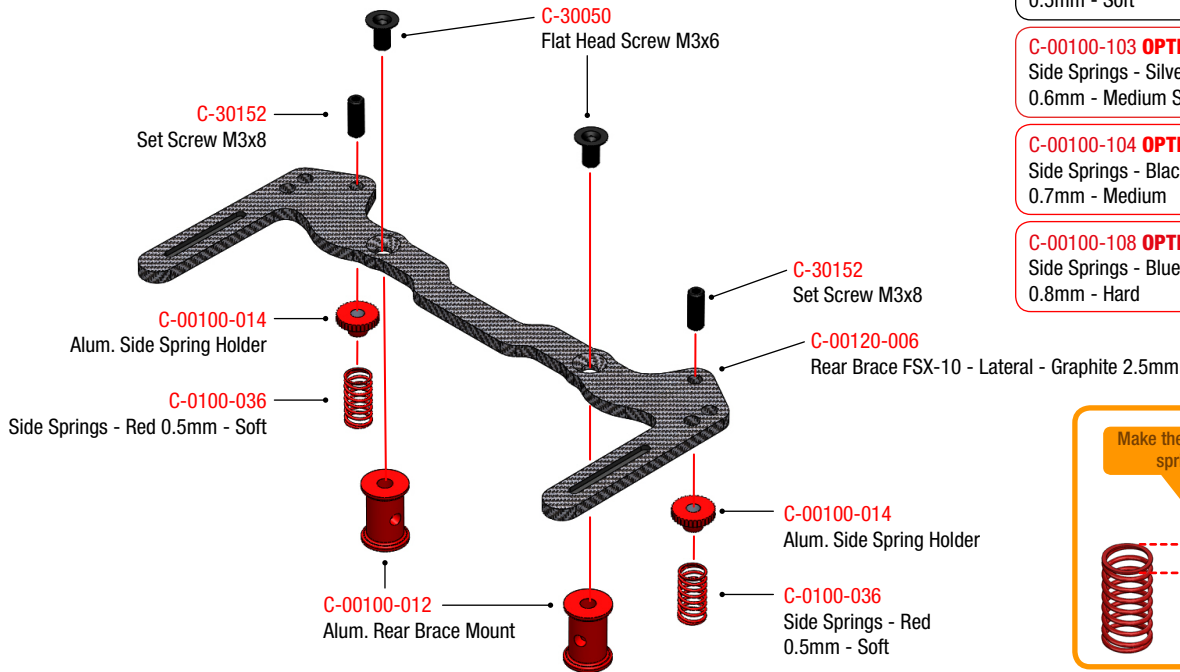
**3 REAR POWER POD ASSEMBLY**



## 4 REAR POWER POD ASSEMBLY



**5 BATTERY / REAR SUSPENSION BRACE ASSEMBLY**



**C-00100-036**  
Side Springs - Red  
0.5mm - Soft

**C-00100-103 OPTIONAL**  
Side Springs - Silver  
0.6mm - Medium Soft

**C-00100-104 OPTIONAL**  
Side Springs - Black  
0.7mm - Medium

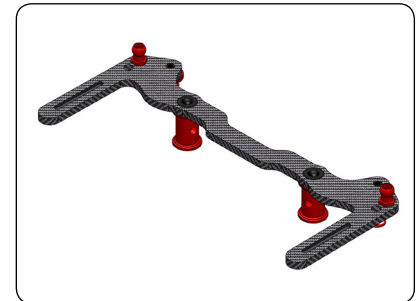
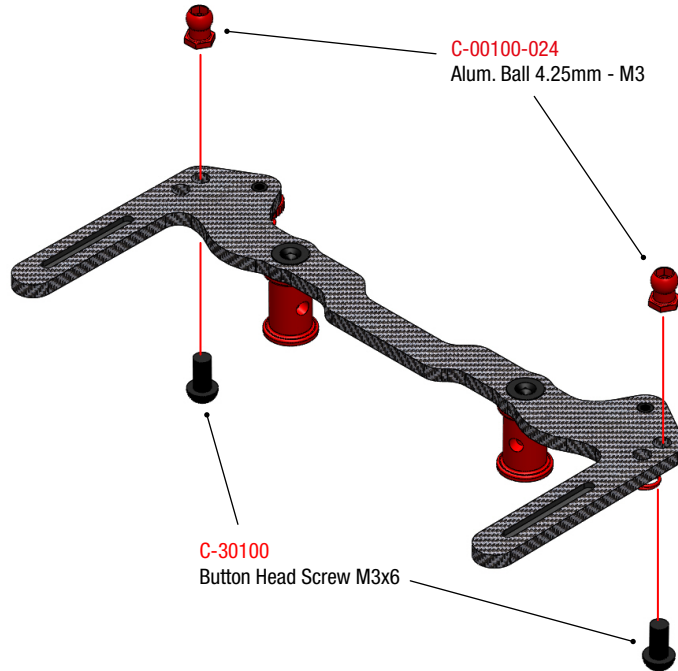
**C-00100-108 OPTIONAL**  
Side Springs - Blue  
0.8mm - Hard



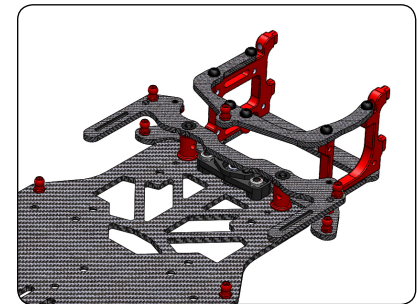
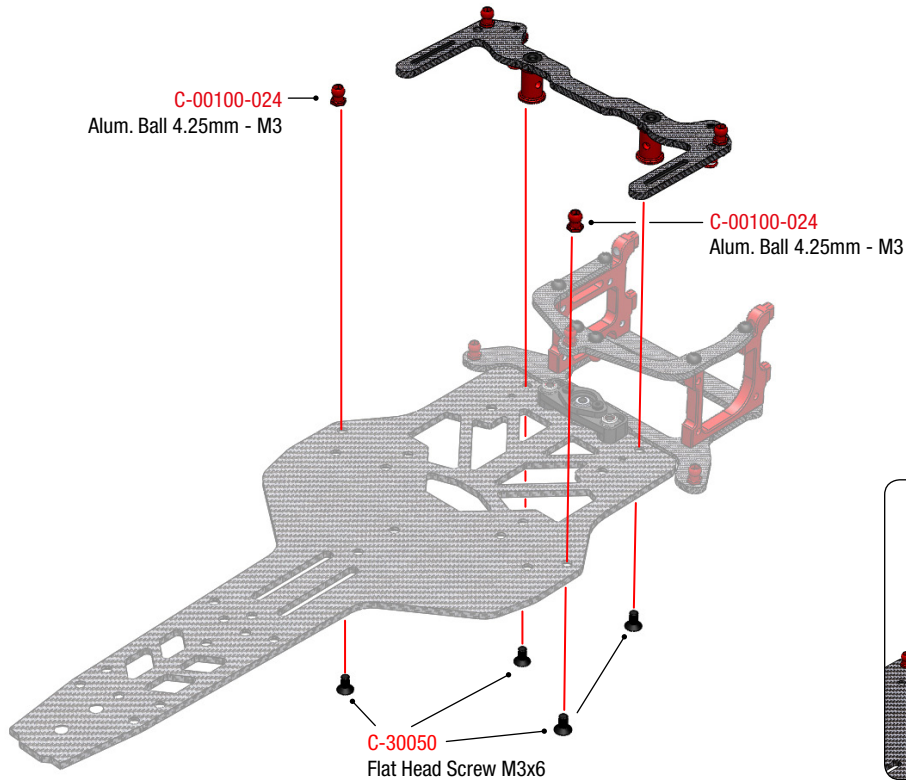


0 5 10 15 20

## 6 BATTERY / REAR SUSPENSION BRACE ASSEMBLY

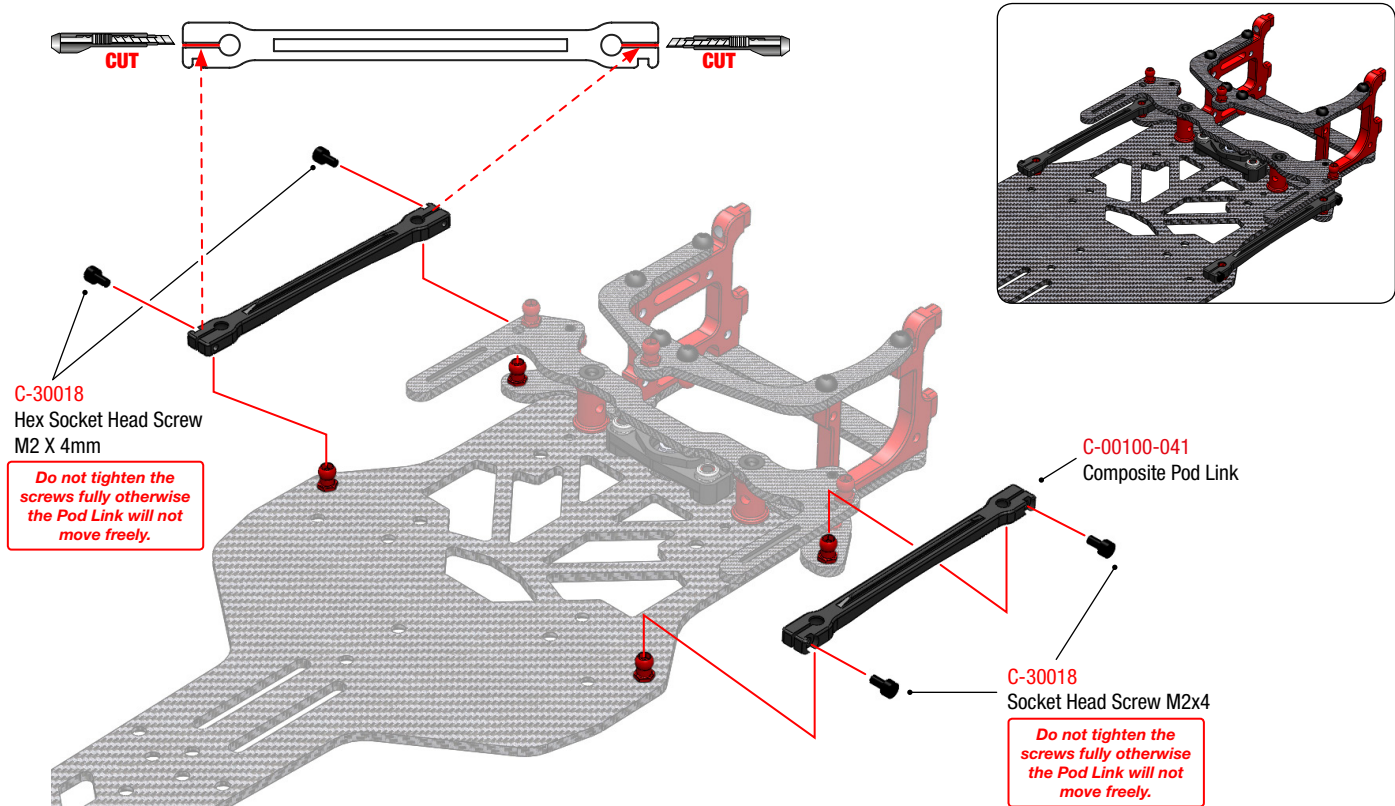


**7 BATTERY / REAR SUSPENSION BRACE ASSEMBLY**

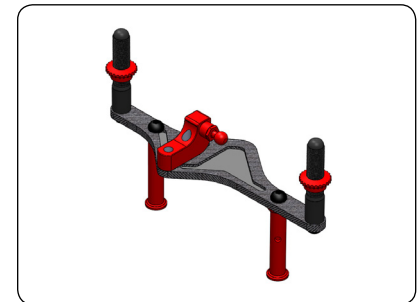
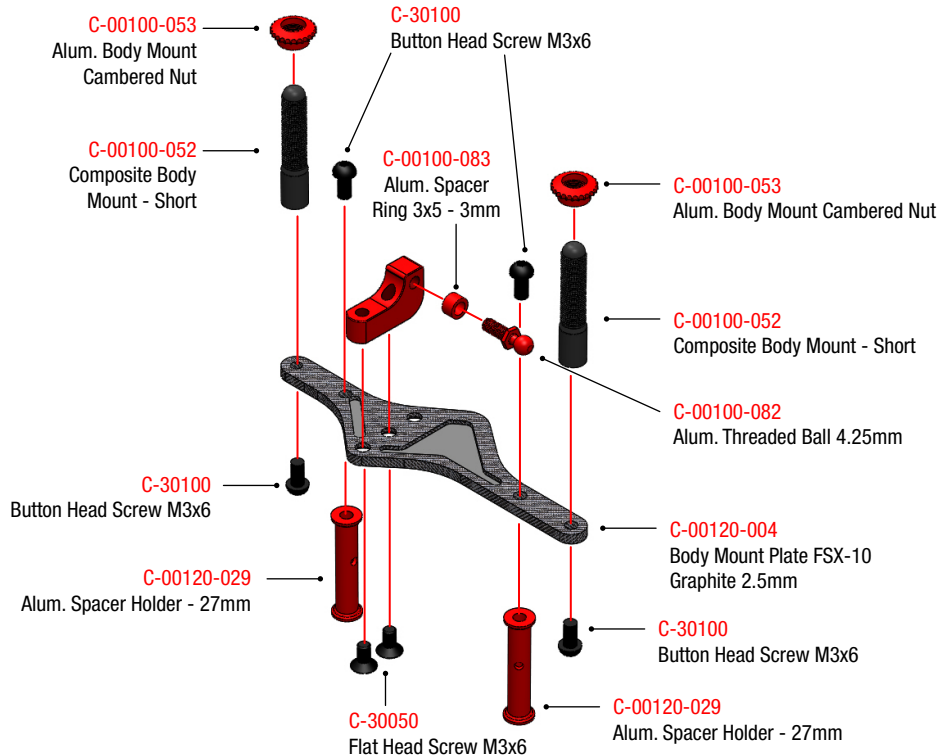




## 8 SIDE POD LINK ASSEMBLY

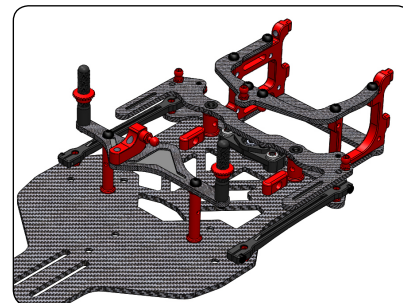
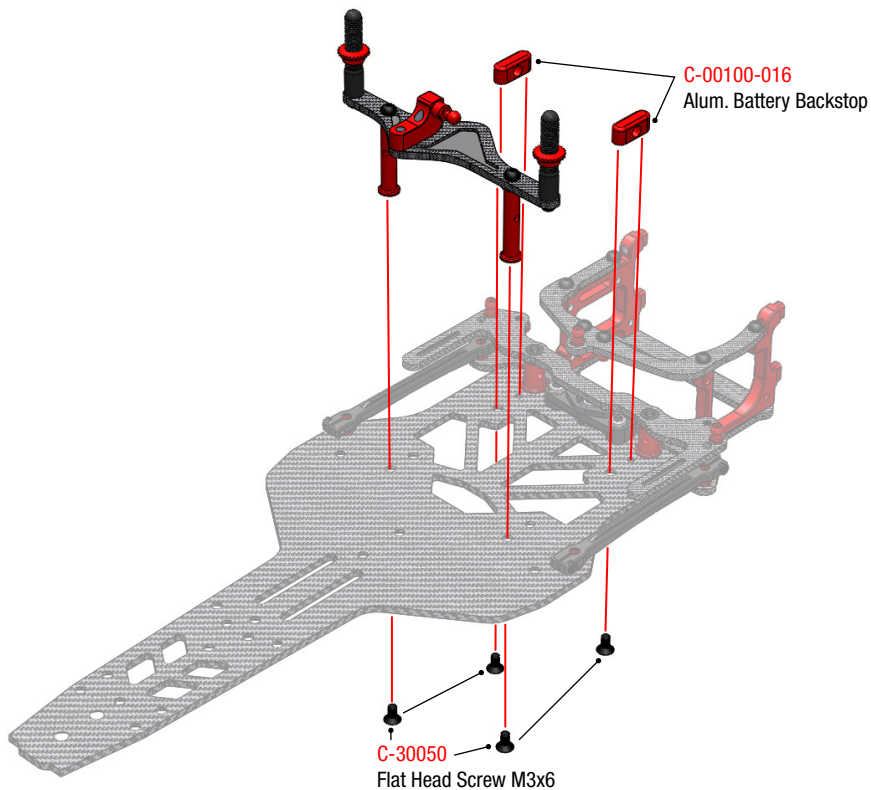


**9 BODY POST / SHOCK SUPPORT ASSEMBLY**

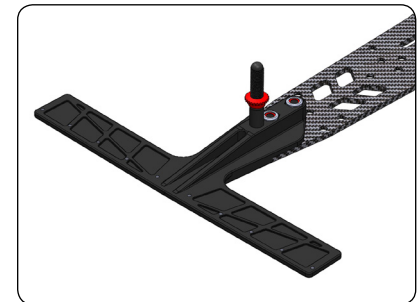
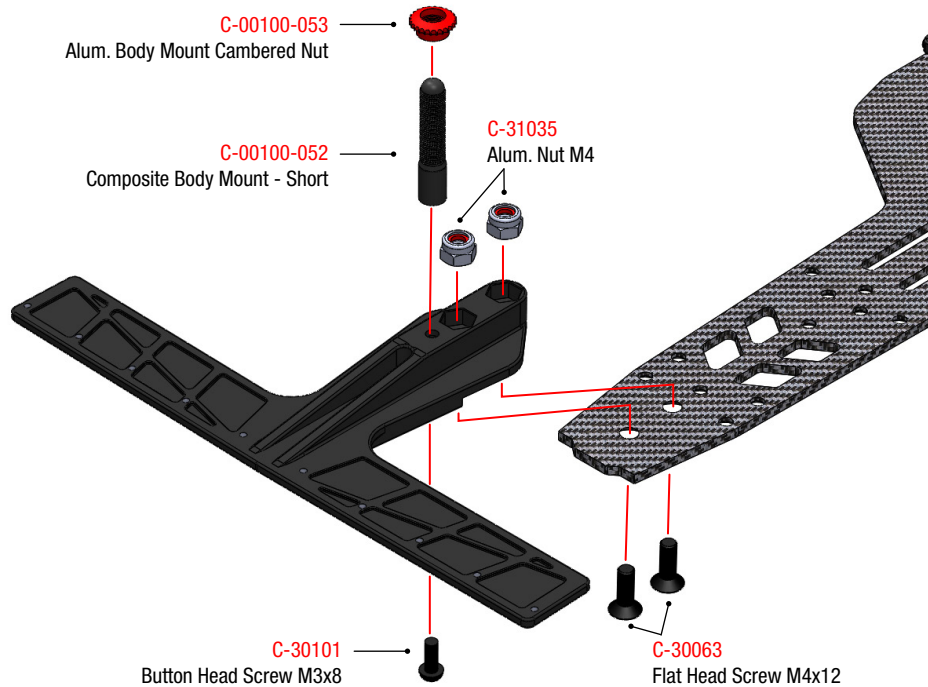


0 5 10 15 20

## 10 BODY POST / SHOCK SUPPORT ASSEMBLY

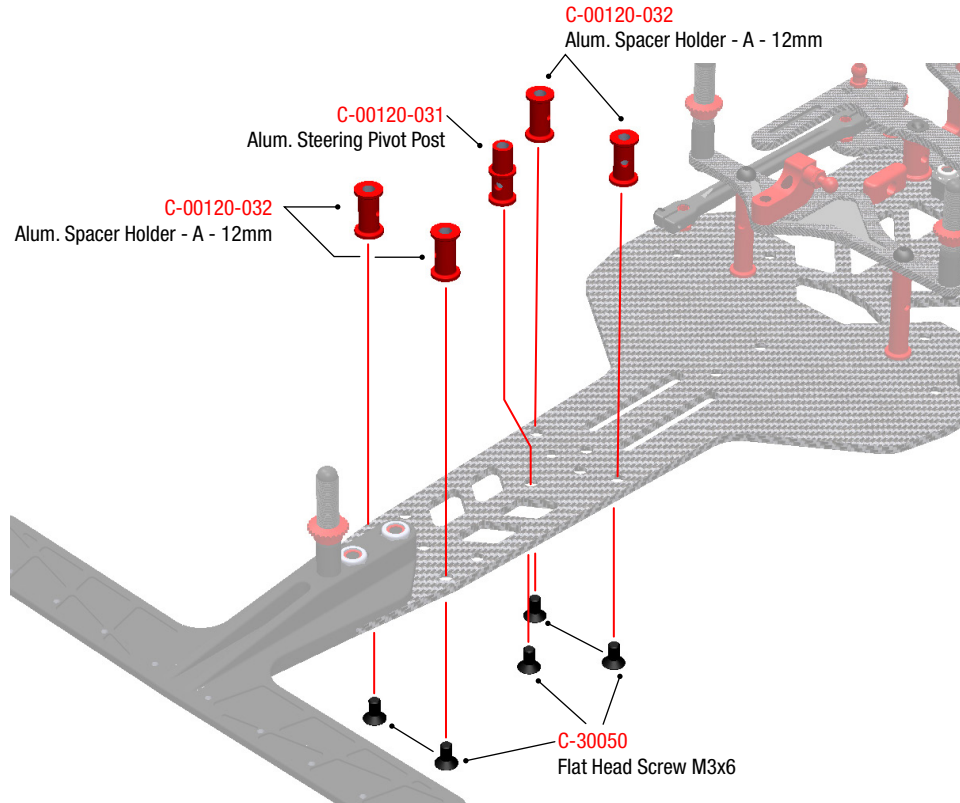


**11 FRONT BUMPER ASSEMBLY**





## 12 FRONT SUSPENSION ASSEMBLY



**C-00120-032**  
Alum. Spacer Holder  
A - 12mm



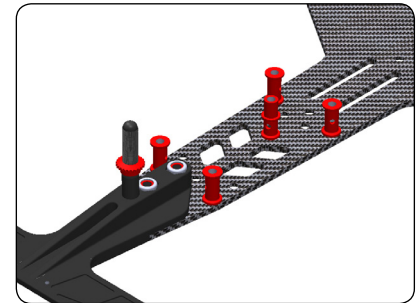
**C-00120-033** **OPTIONAL**  
Alum. Spacer Holder  
B - 11mm



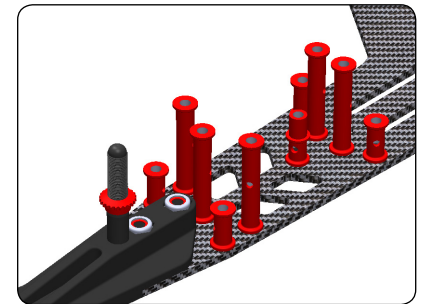
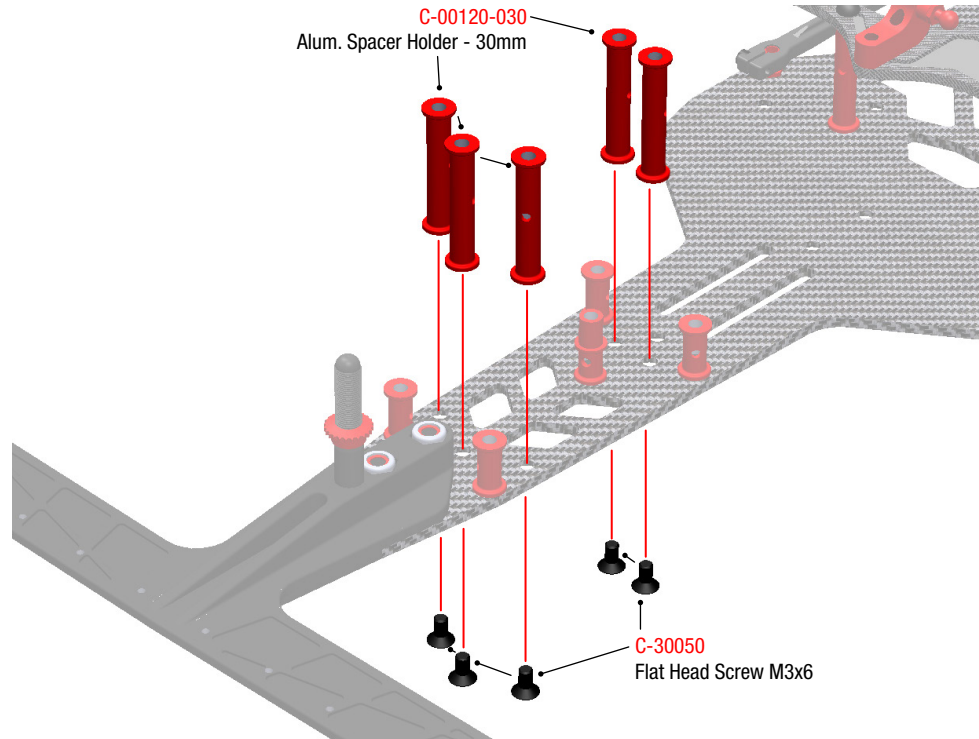
**C-00120-034** **OPTIONAL**  
Alum. Spacer Holder  
C - 10mm



**C-00120-035** **OPTIONAL**  
Alum. Spacer Holder  
D - 9mm



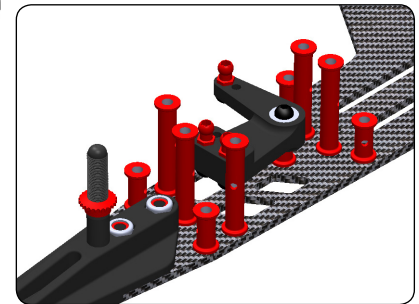
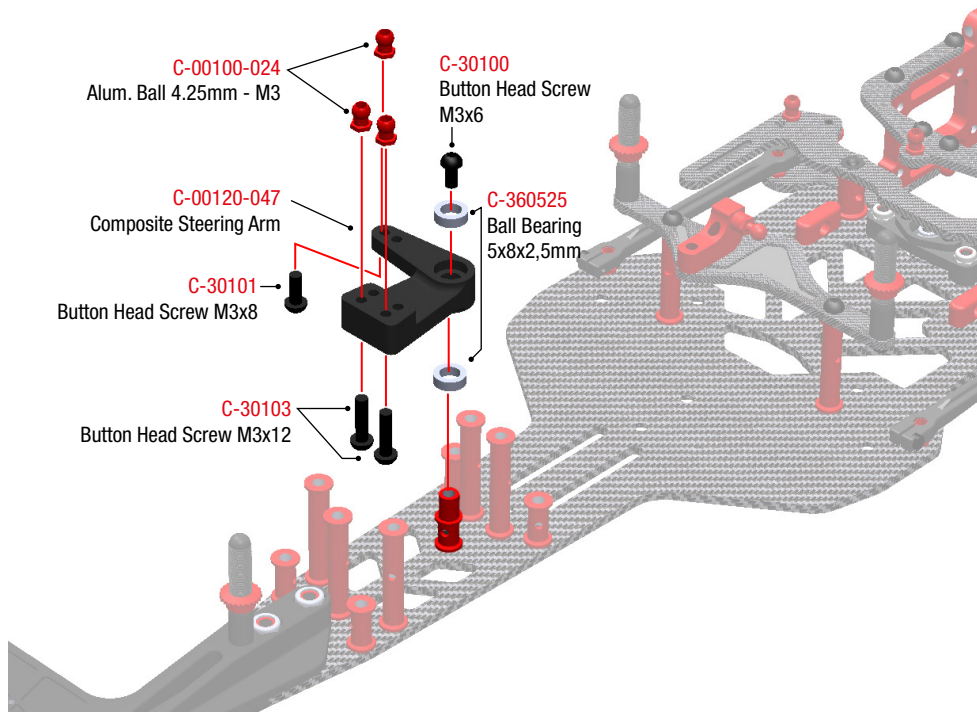
**13 FRONT SUSPENSION ASSEMBLY**



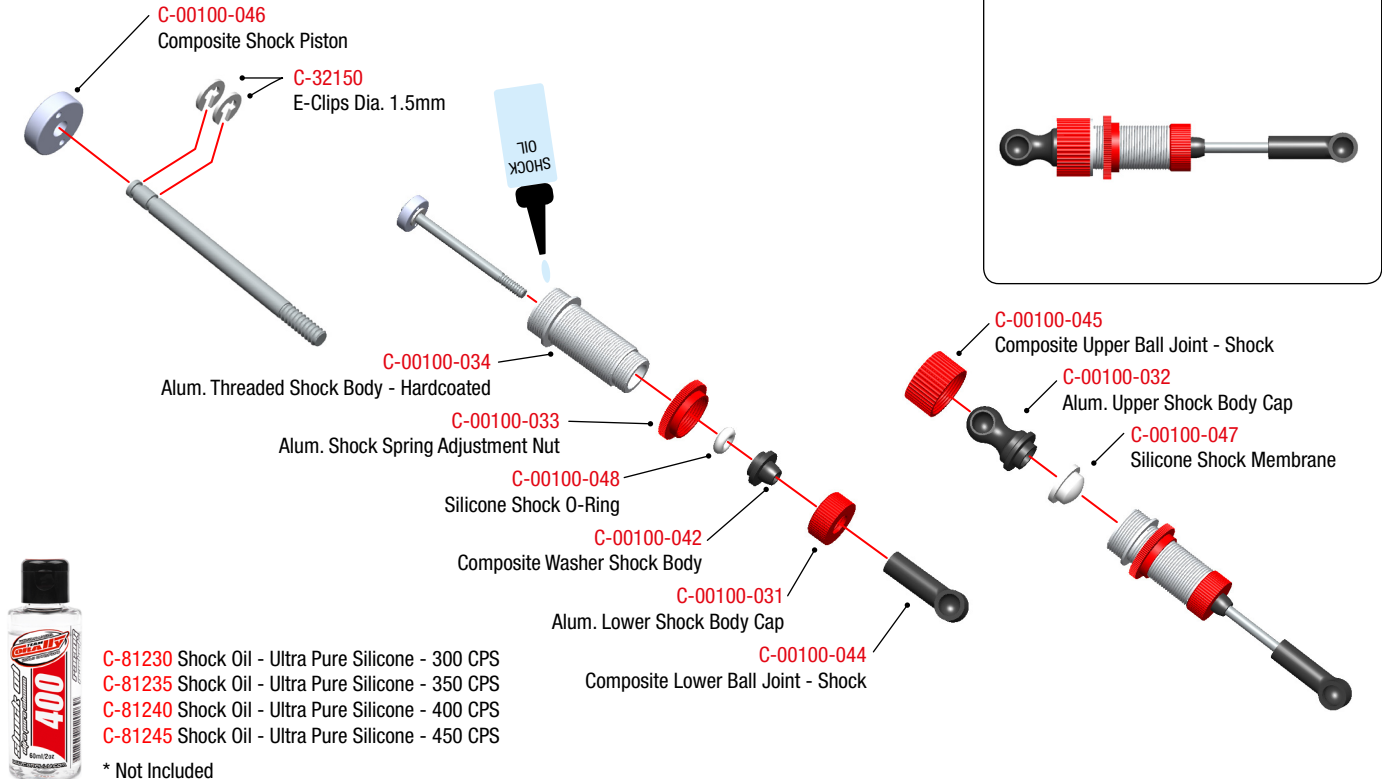




## 14 FRONT SUSPENSION ASSEMBLY



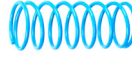
**15 SHOCK ABSORBER ASSEMBLY**



### 16 SHOCK ABSORBER ASSEMBLY



C-00100-030  
Shock Spring - Red 1.1mm - Hard



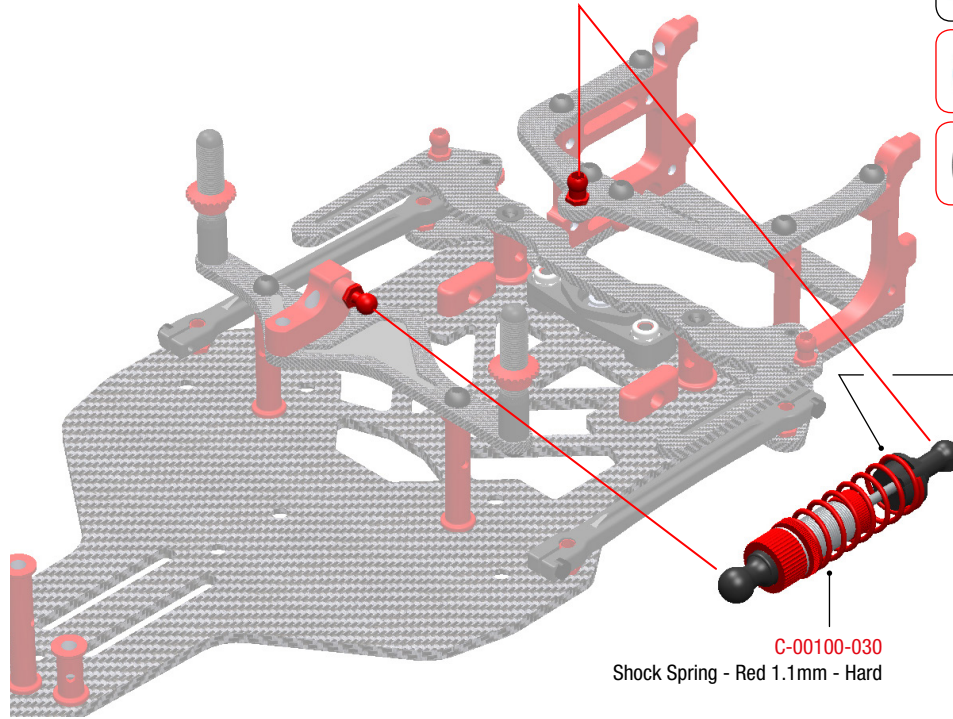
C-00100-101 **OPTIONAL**  
Shock Spring - Blue 1.0mm - Medium



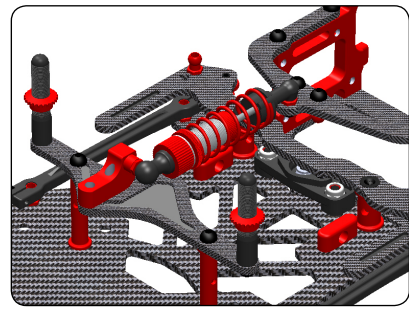
C-00100-102 **OPTIONAL**  
Shock Spring - Black 0.9mm - Soft



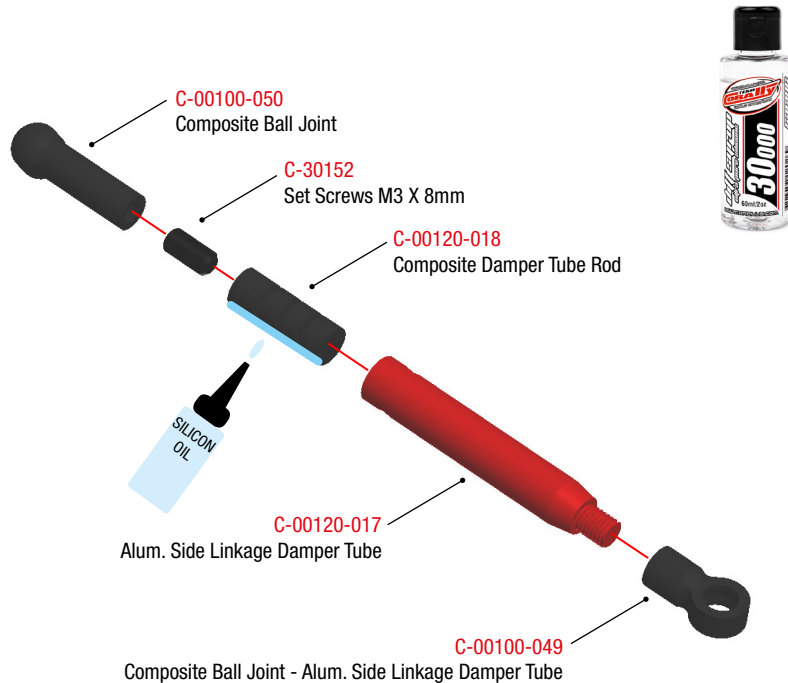
C-00100-043  
Composite Shock Spring Holder



C-00100-030  
Shock Spring - Red 1.1mm - Hard

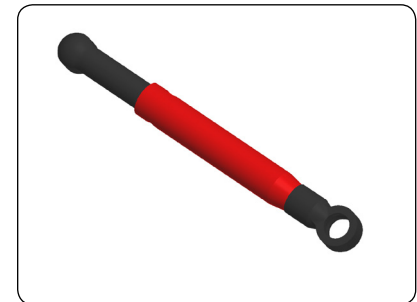


**17 SIDE LINK DAMPER ASSEMBLY**



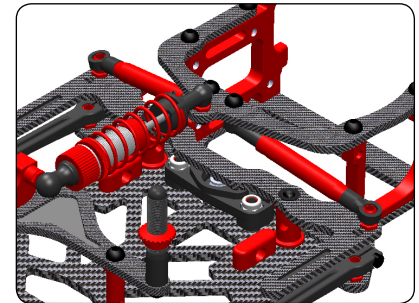
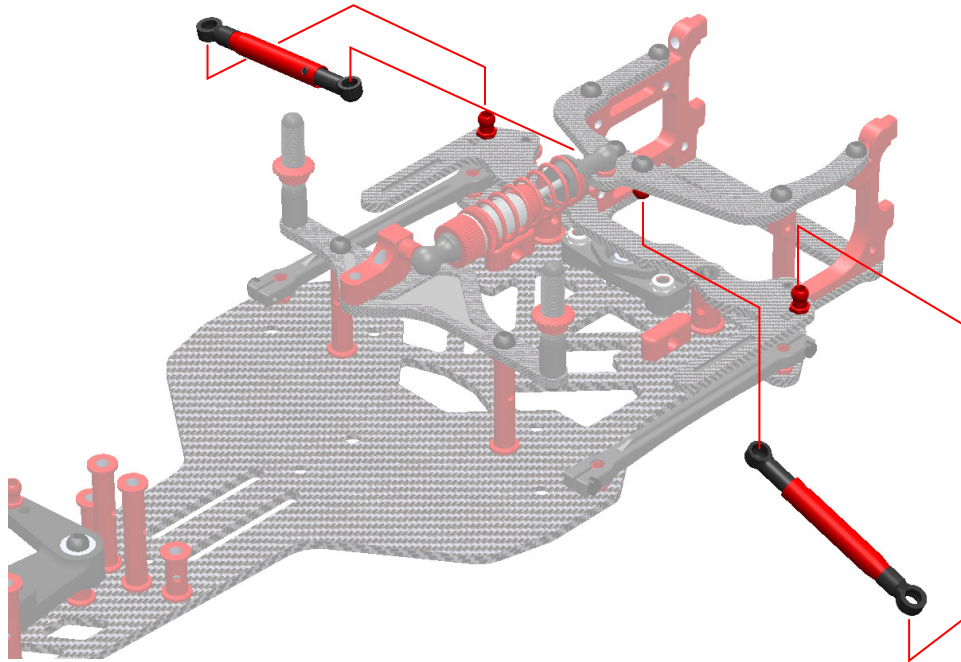
- C-81515 Shock Syrup - Ultra Pure Silicone - 15.000 CPS
- C-81530 Shock Syrup - Ultra Pure Silicone - 30.000 CPS
- C-81550 Shock Syrup - Ultra Pure Silicone - 50.000 CPS
- C-81575 Shock Syrup - Ultra Pure Silicone - 75.000 CPS

\* Not Included

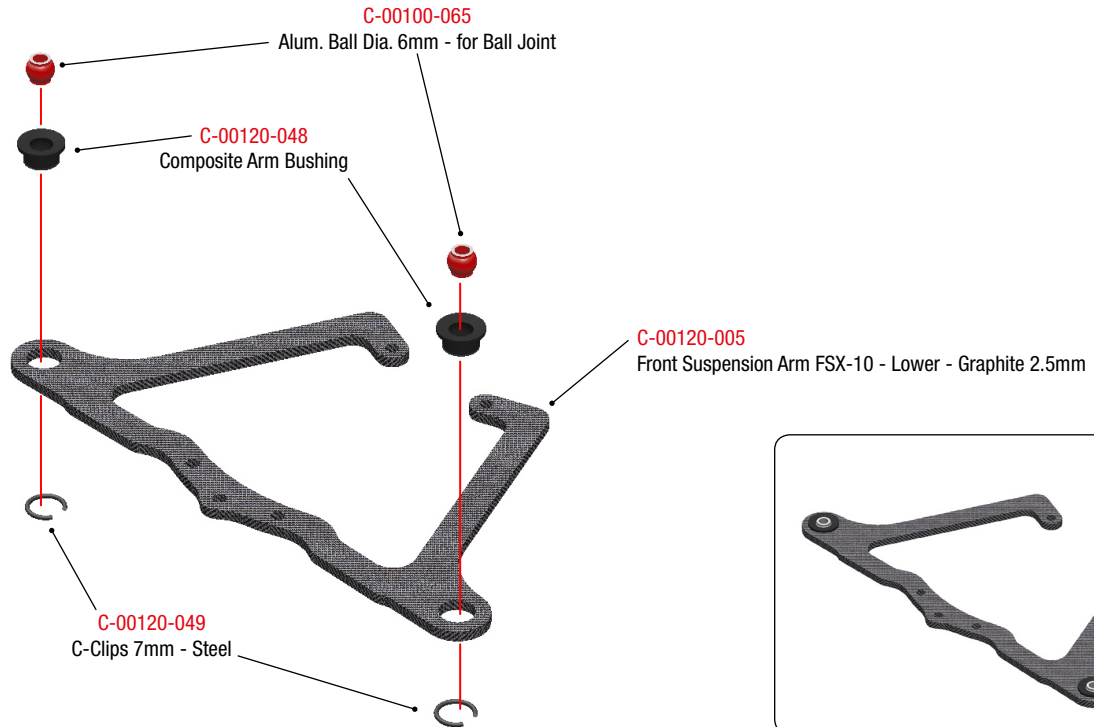




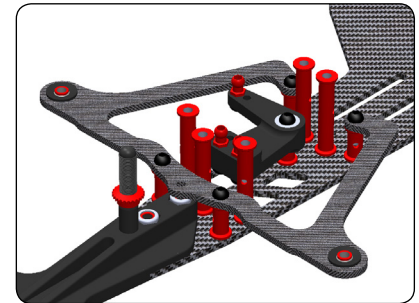
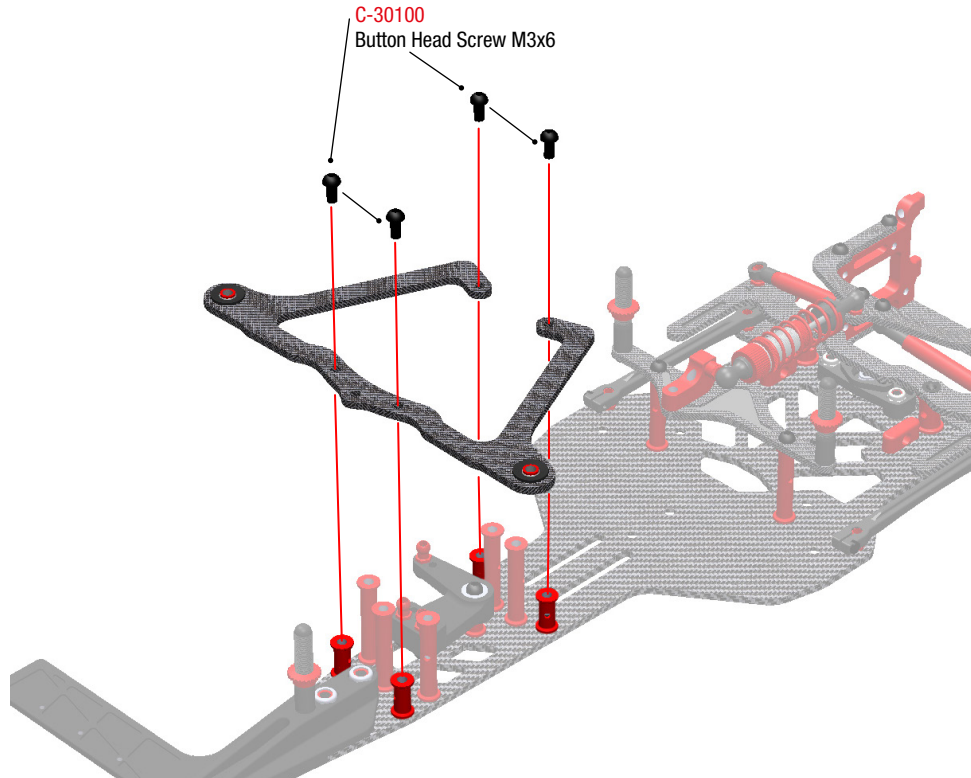
## 18 SIDE LINK DAMPER ASSEMBLY



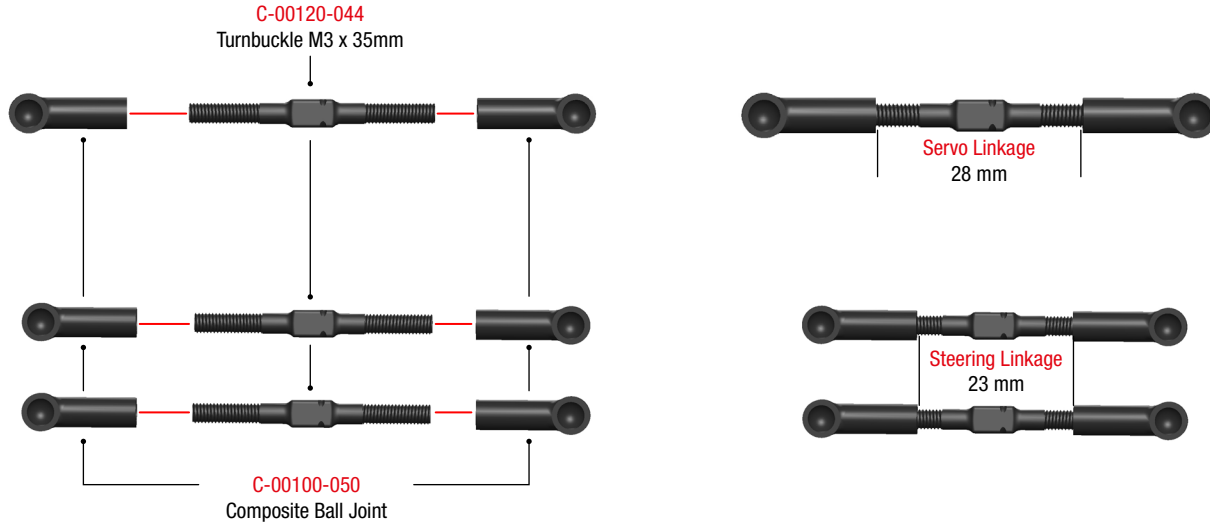
**19 FRONT SUSPENSION ASSEMBLY**



## 20 FRONT SUSPENSION ASSEMBLY



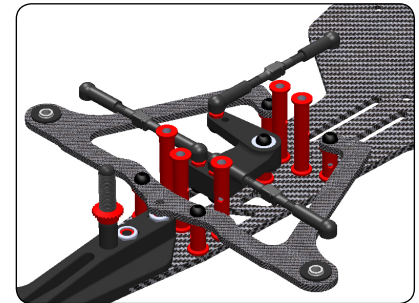
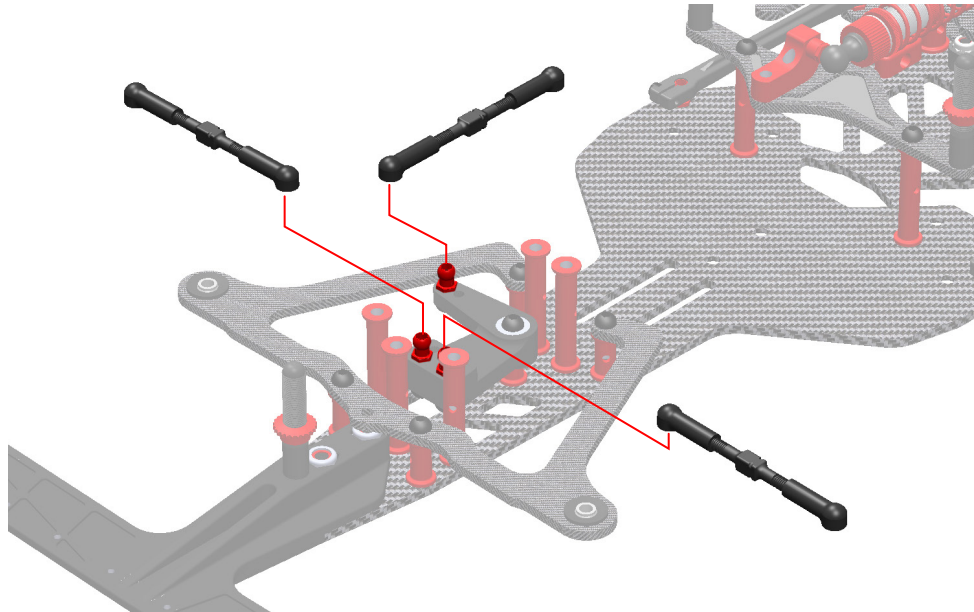
**21 STEERING LINKAGE ASSEMBLY**



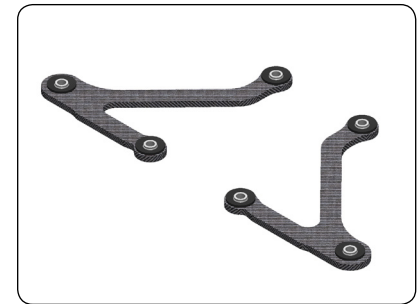
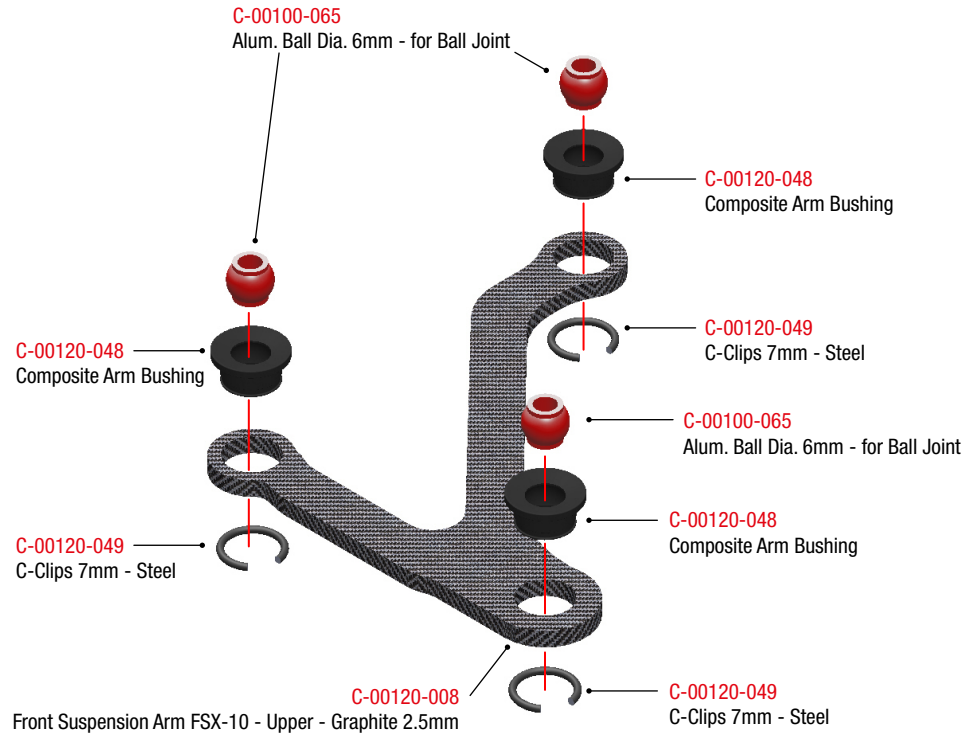


0 5 10 15 20

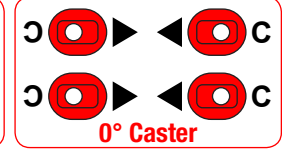
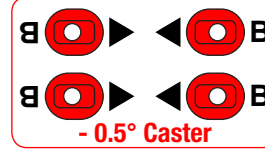
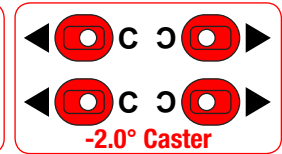
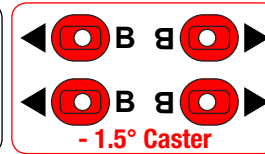
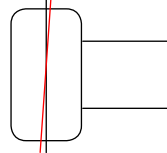
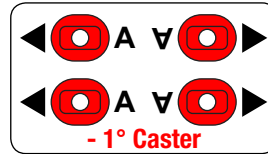
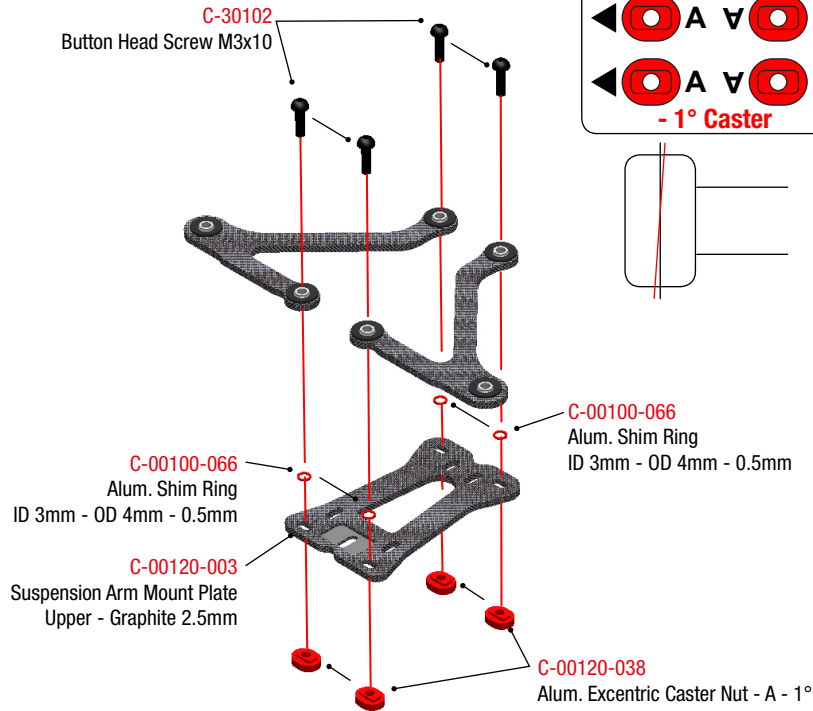
## 22 STEERING LINKAGE ASSEMBLY



**23 FRONT SUSPENSION ASSEMBLY**



## 24 FRONT SUSPENSION ASSEMBLY

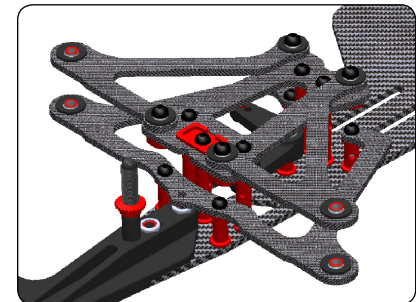
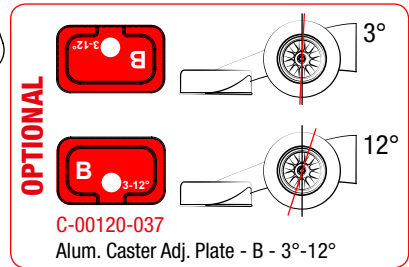
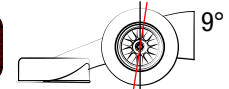
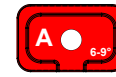
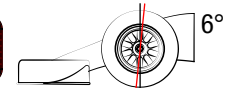
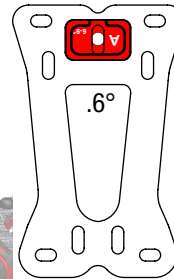
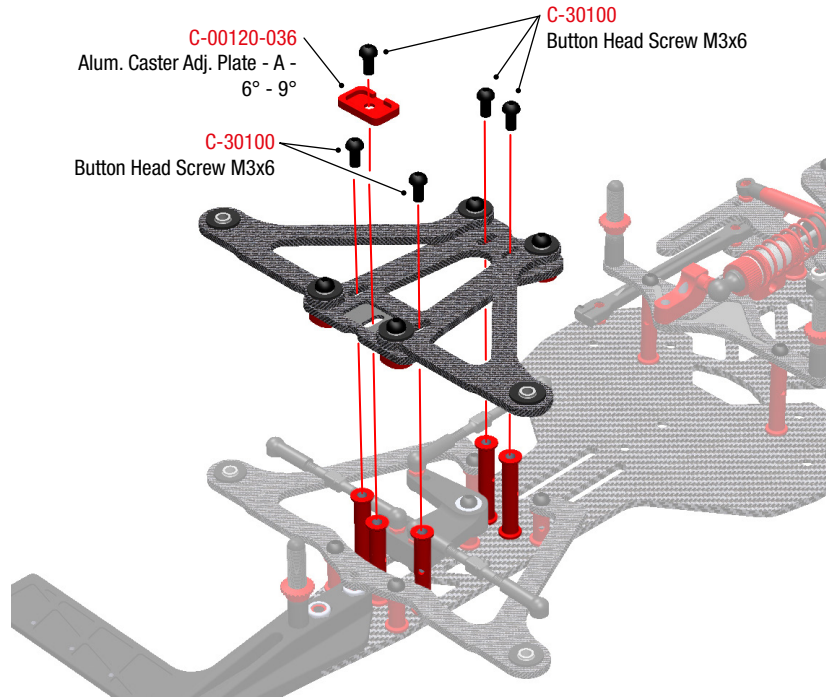


**C-00120-039 OPTIONAL**  
Alum. Excentric Caster Nut B  
0.5° - 1.5° - 2 pcs

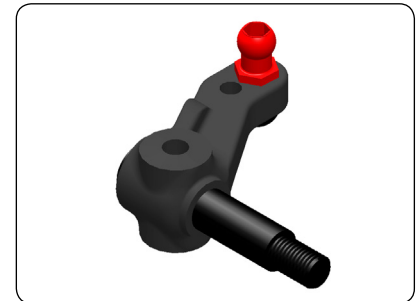
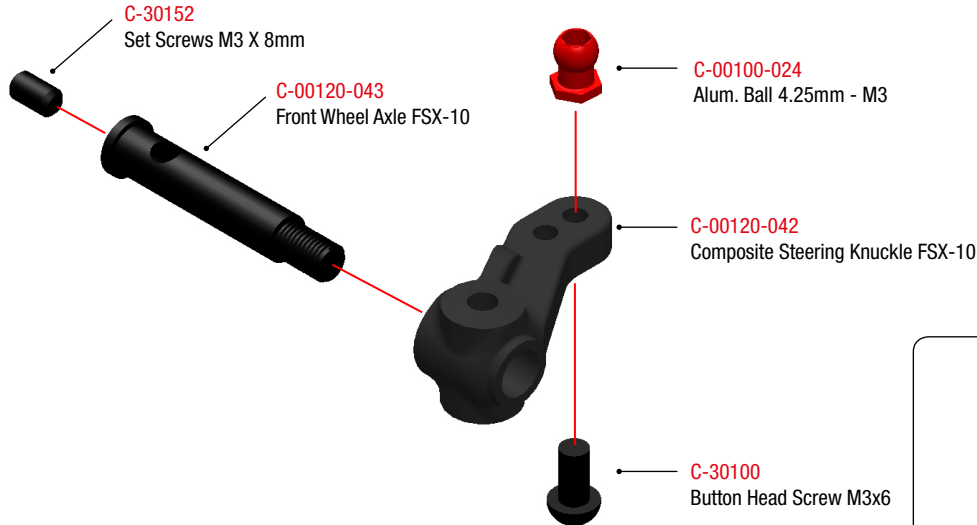
**C-00120-040 OPTIONAL**  
Alum. Excentric Caster Nut C  
0° - 2.0° - 2 pcs



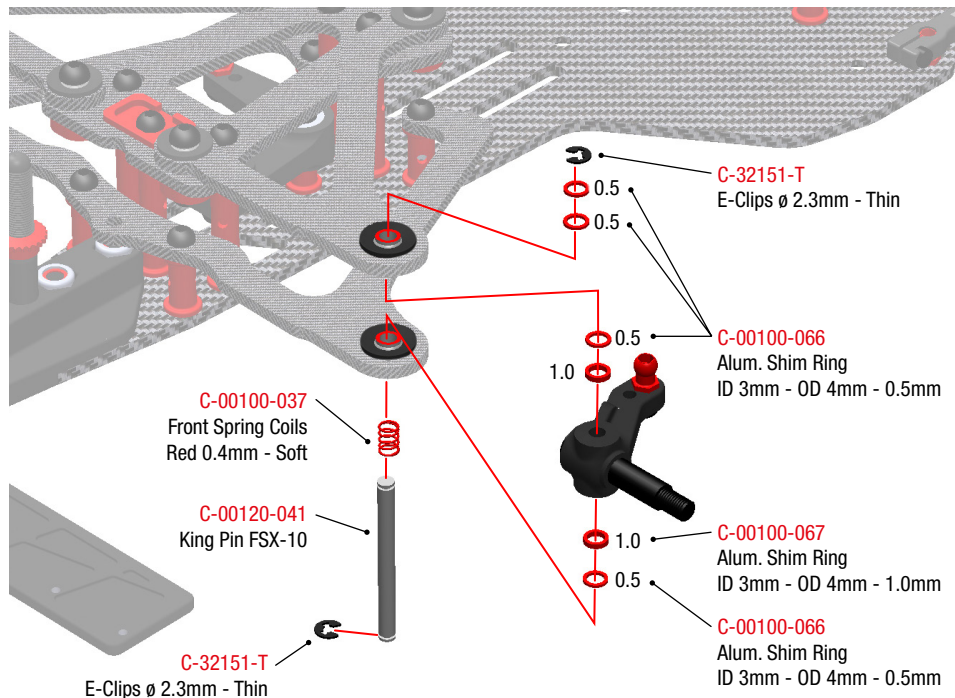
**25 FRONT SUSPENSION ASSEMBLY**



### 26 FRONT SUSPENSION ASSEMBLY



**27 FRONT SUSPENSION ASSEMBLY**



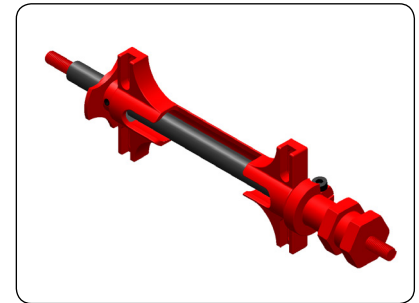
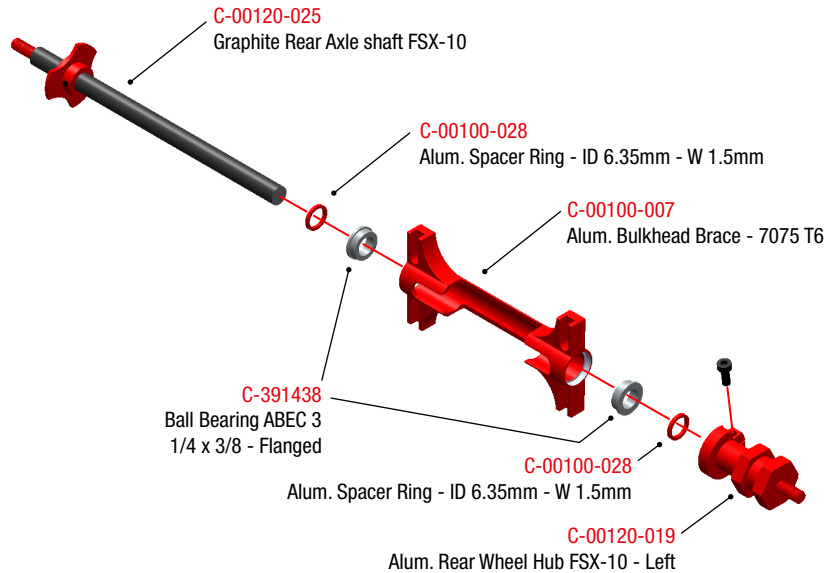
**C-00100-037**  
Front Spring Coils  
Red 0.4mm - Soft

**C-00100-105 OPTIONAL**  
Front Spring Coils  
Blue 0.6mm - Hard

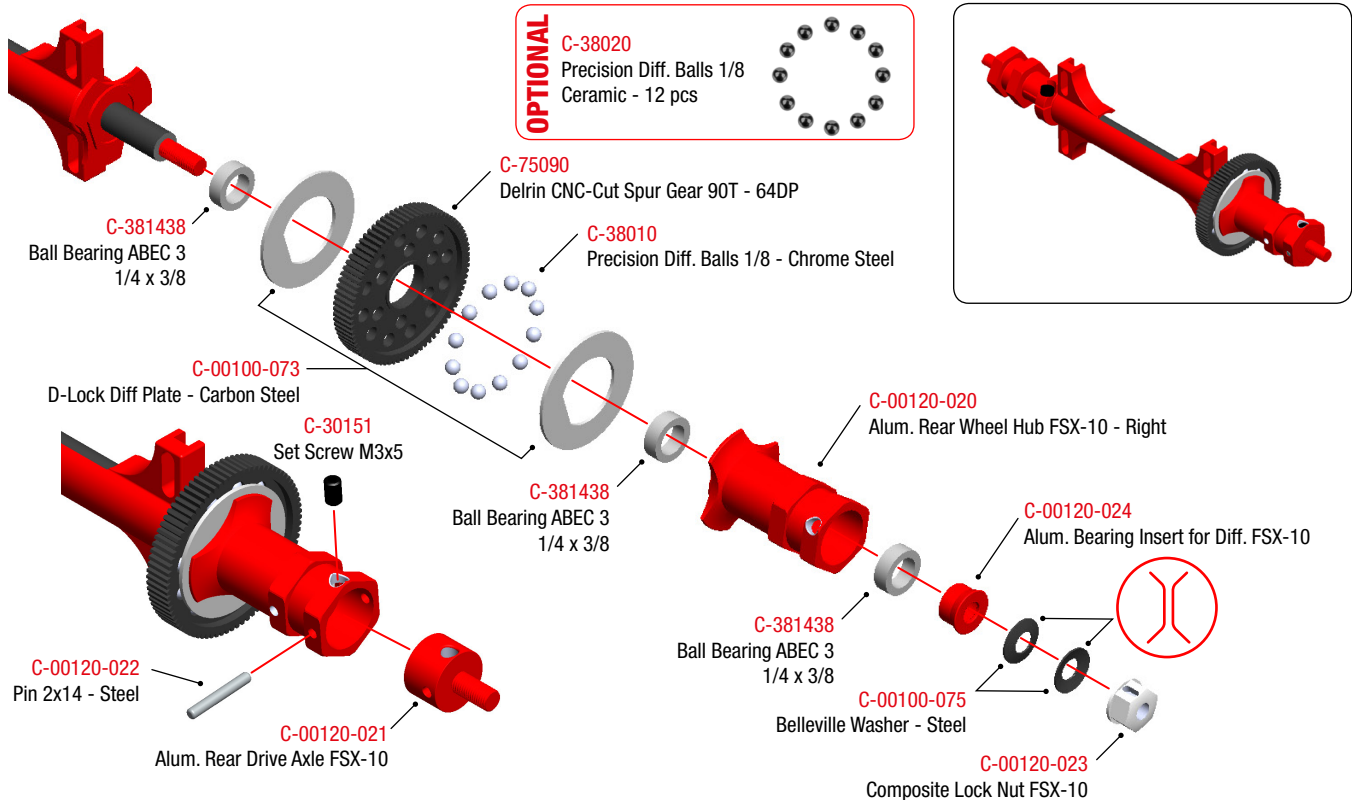
**C-00100-106 OPTIONAL**  
Front Spring Coils  
Black 0.5mm - Medium



### 28 DRIVE AXLE / BALL DIFFERENTIAL ASSEMBLY

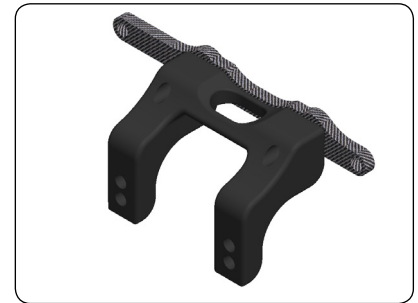
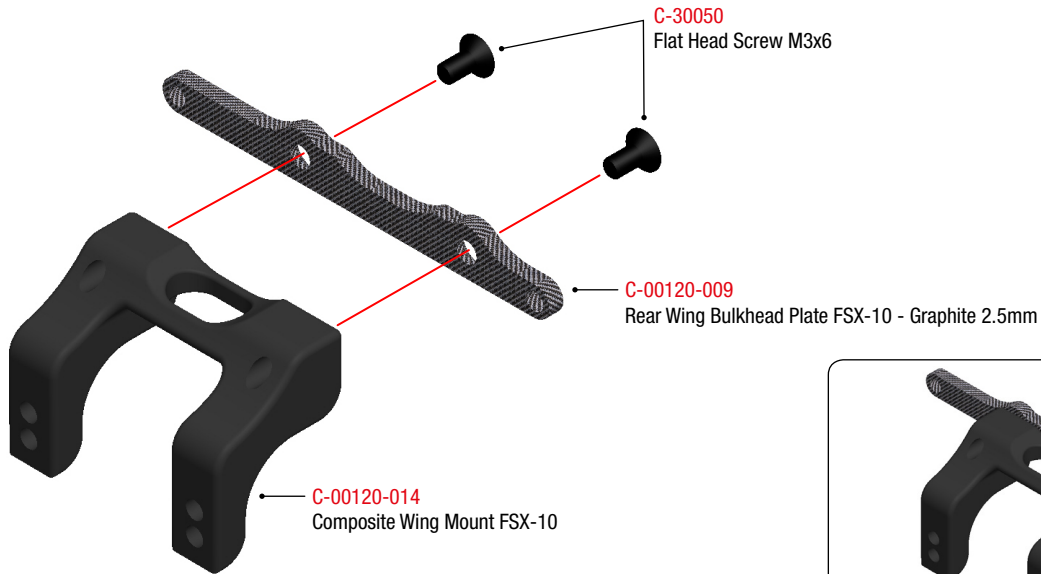


**29 DRIVE AXLE / BALL DIFFERENTIAL ASSEMBLY**





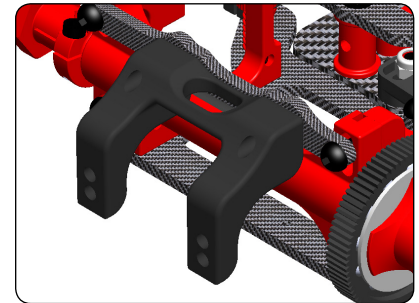
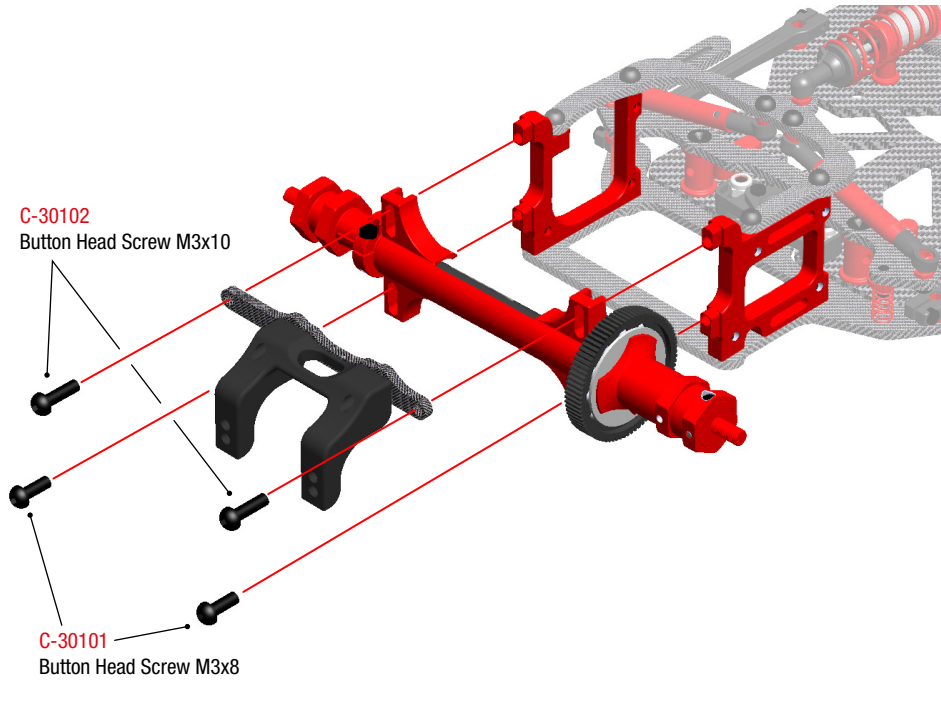
**30 WING MOUNT ASSEMBLY**



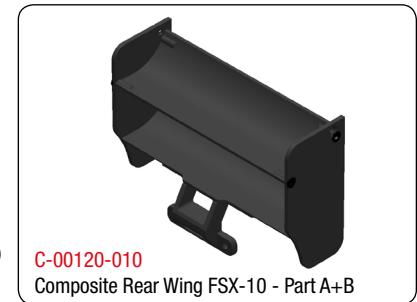
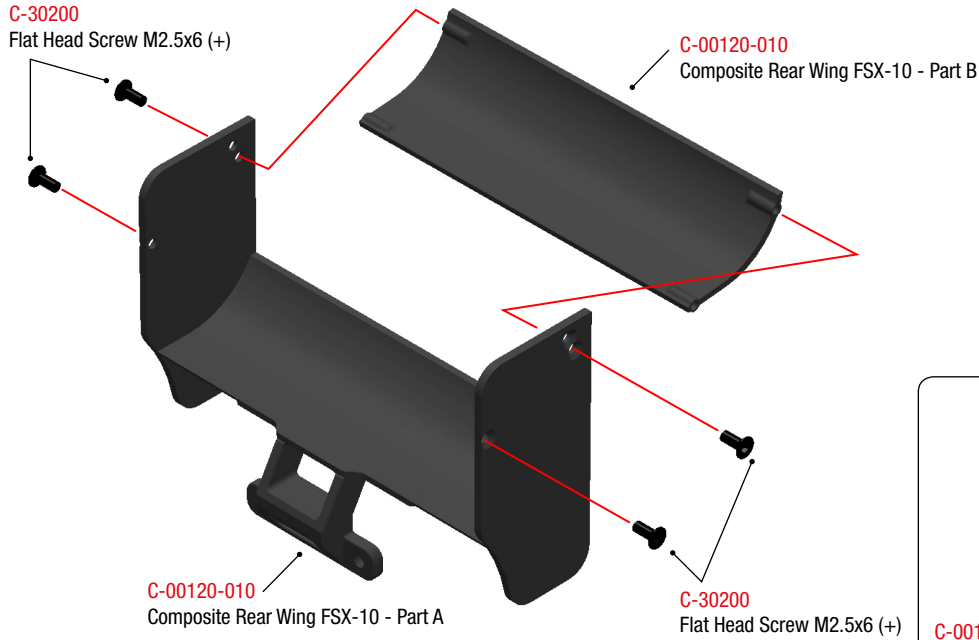
**31 DRIVE TRAIN / WING MOUNT ASSEMBLY**

**C-30102**  
Button Head Screw M3x10

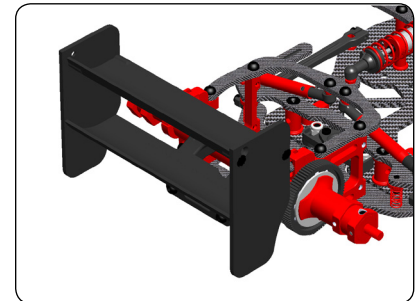
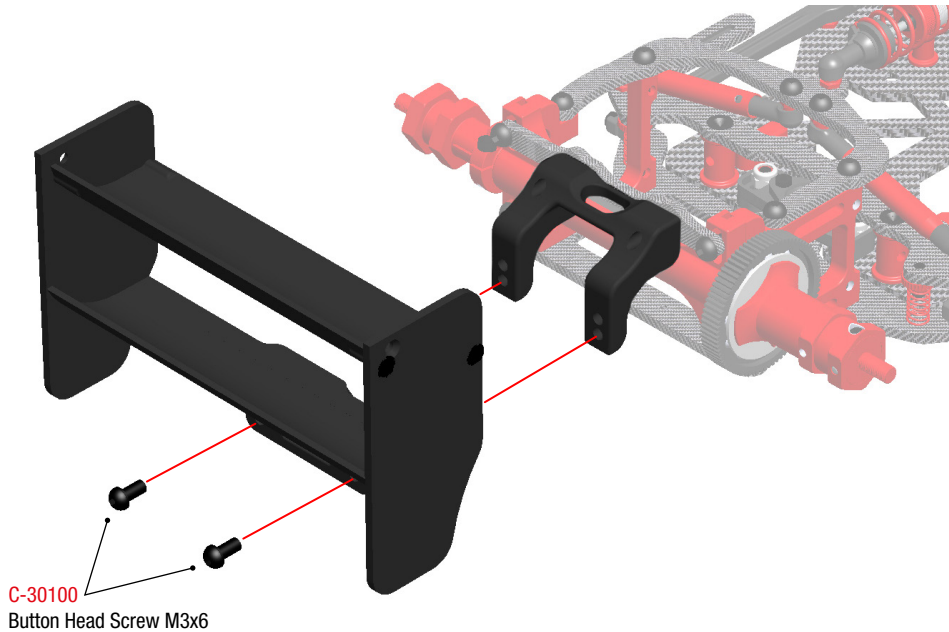
**C-30101**  
Button Head Screw M3x8



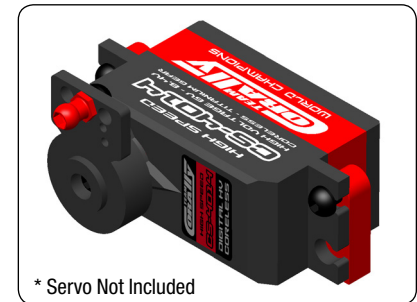
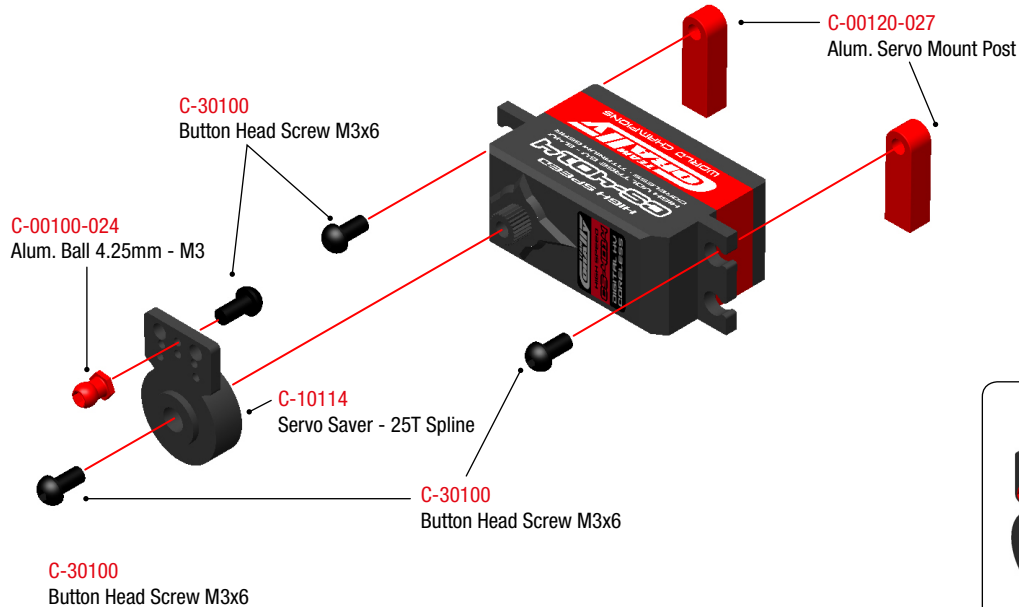
### 32 REAR WING ASSEMBLY



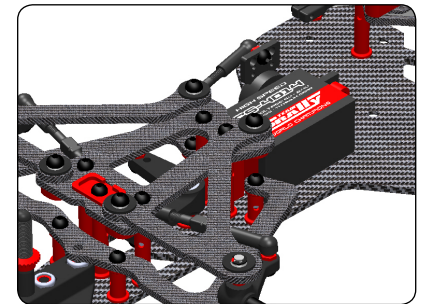
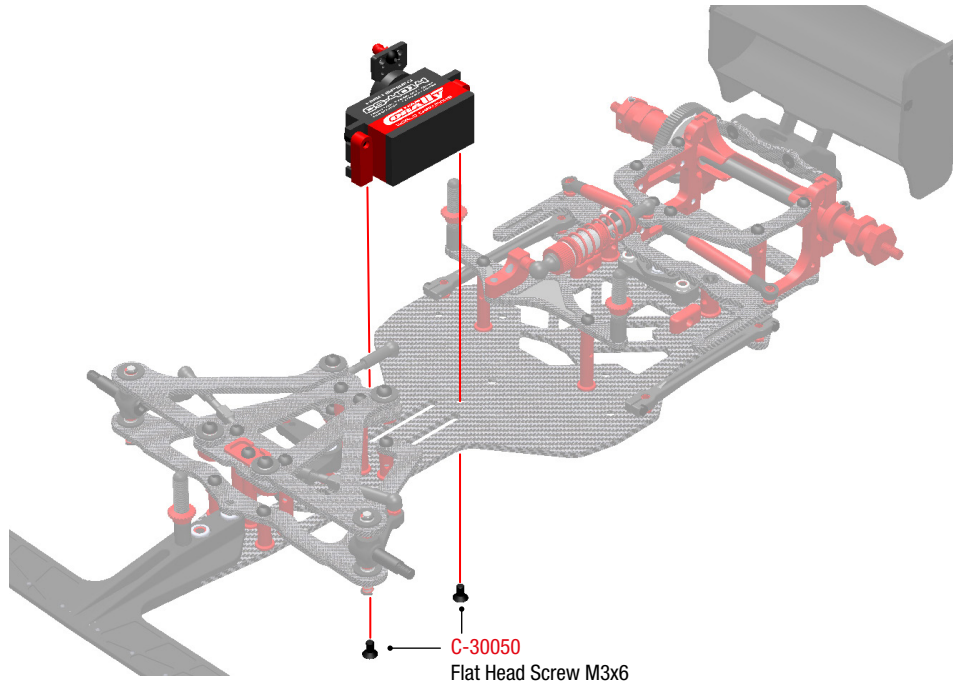
**33 REAR WING ASSEMBLY**



### 34 STEERING SERVO ASSEMBLY

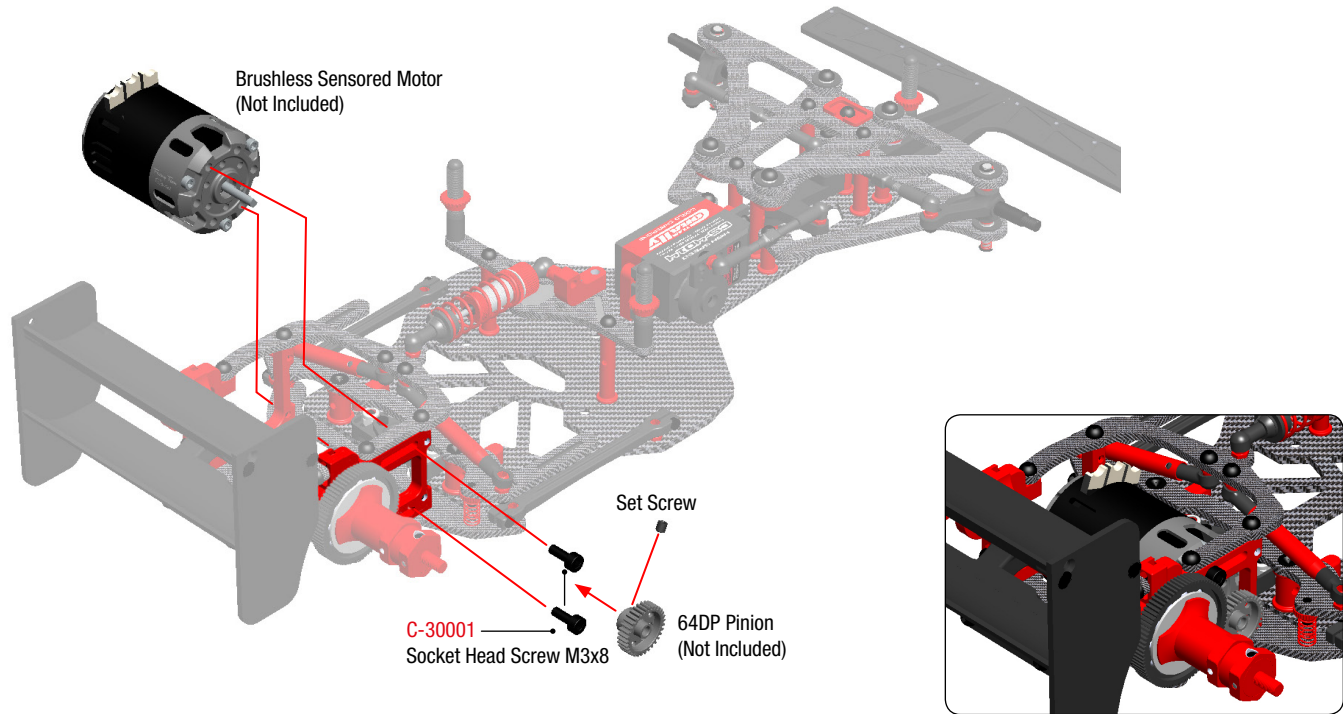


**35** STEERING SERVO ASSEMBLY





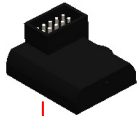
## 36 MOTOR ASSEMBLY



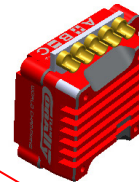
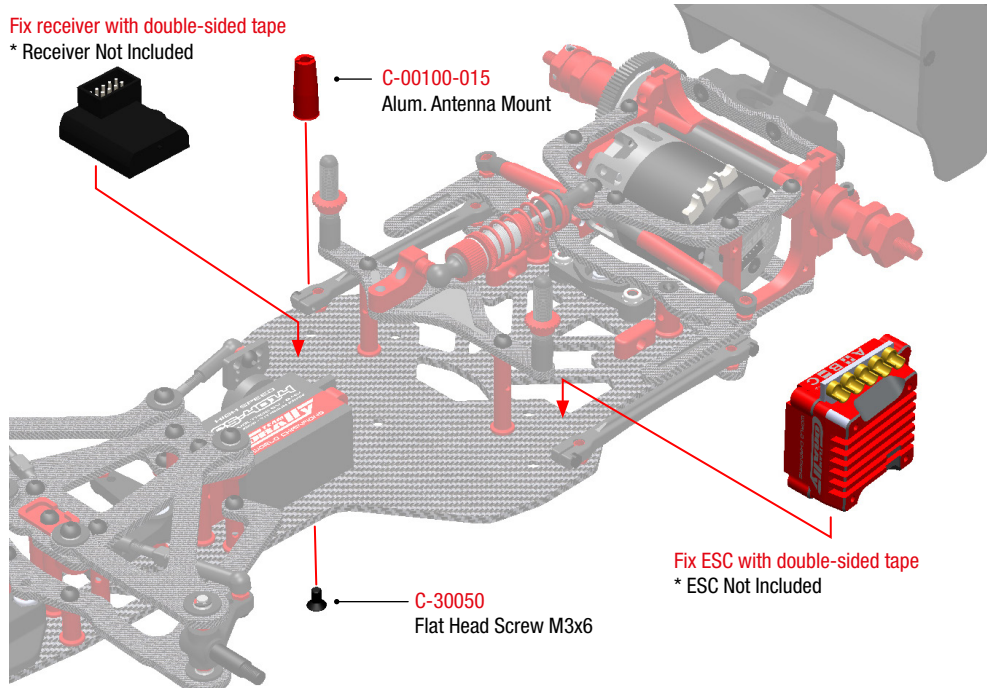
**37 RECEIVER / ESC ASSEMBLY**

Fix receiver with double-sided tape

\* Receiver Not Included



C-00100-015  
Alum. Antenna Mount

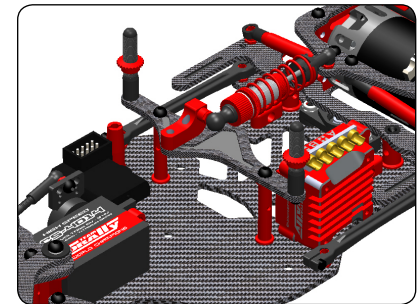


Fix ESC with double-sided tape

\* ESC Not Included



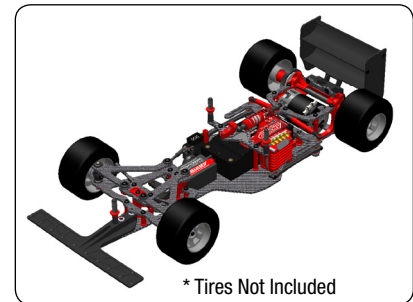
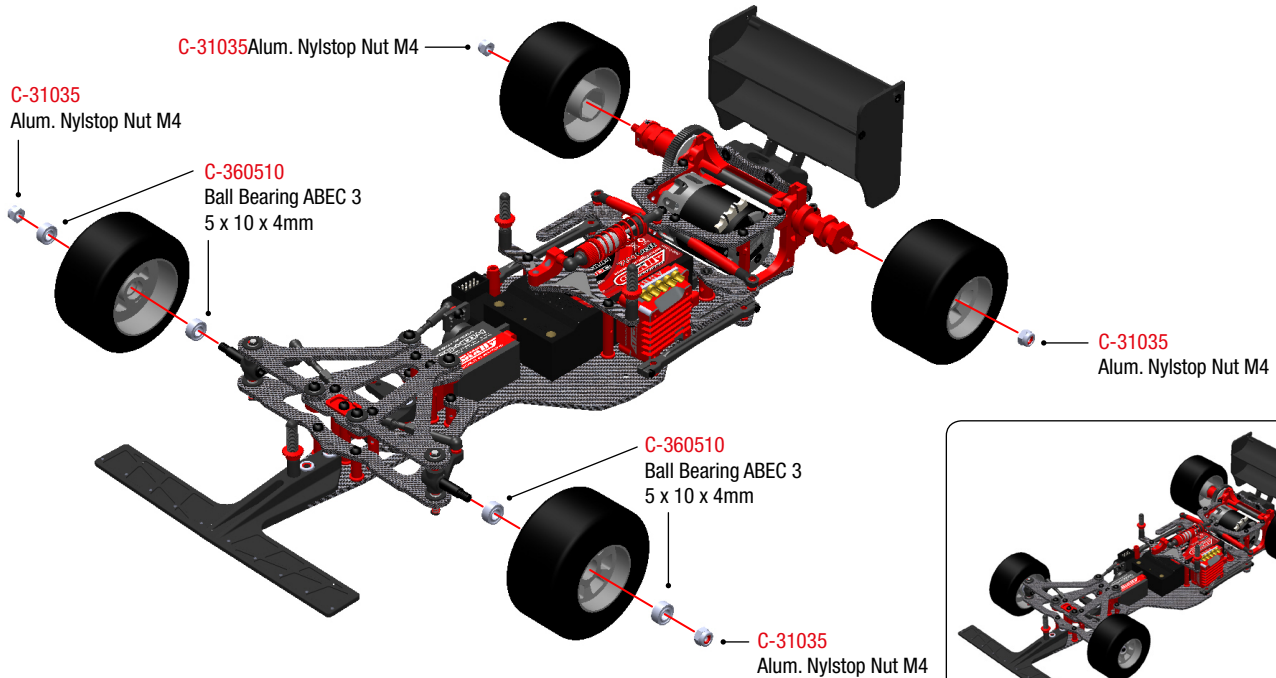
C-30050  
Flat Head Screw M3x6










## 38 WHEELS ASSEMBLY




	C-00100-007	Alum. Bulkhead Brace - 7075 T6 - 1 pc
	C-00100-012	Alum. Rear Brace Mount - 2 pcs
	C-00100-014	Alum. Side Spring Holder - 2 pcs
	C-00100-015	Alum. Antenna Mount - 1 pc
	C-00100-016	Alum. Battery Backstop - 1 pc
	C-00100-024	Alum. Steering Ball 4.25mm - M3 - 4 pcs







	C-00100-028	Alum. Spacer Ring - Inner Dia 6.35mm - Width 1.5mm - 2 pcs
	C-00100-030	Shock Spring - Red 1.1mm - Hard - 1 pc
	C-00100-031	Alum. Lower Shock Body Cap - 1 pc
	C-00100-032	Alum. Upper Shock Body Cap - 1 pc
	C-00100-033	Alum. Shock Spring Adjustment Nut - 1 pc
	C-00100-034	Alum. Threaded Shock Body - Hard-coated - 1 pc







	C-00100-035	Shock Shaft - Steel - 2 pcs
	C-00100-036	Side Springs - Red 0.5mm - Soft - 2 pcs
	C-00100-037	Front Spring Coils - Red 0.4mm - Soft - 2 pcs
	C-00100-041	Composite Pod Link - 2 pcs
	C-00100-042	Composite Washer Shock Body - 2 pcs
	C-00100-044	Composite Lower Ball Joint - Shock - 2 pcs







	C-00100-045	Composite Upper Ball Joint - Shock - 2 pcs
	C-00100-046	Composite Shock Piston - 2 pcs
	C-00100-047	Silicone Shock Membrane - 2 pcs
	C-00100-048	Silicone Shock O-Ring - 2 pcs
	C-00100-049	Composite Ball Joint - Alum. Side Linkage Damper Tube - 4 pcs
	C-00100-050	Composite Ball Joint - 4 pcs



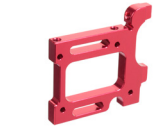



	C-00100-052	Composite Body Mount - Short - Threaded - 2 pcs
	C-00100-053	Alum. Body Mount Cambered Nuts - 4 pcs
	C-00100-056	Composite Lower Pivot Brace - 1 pc
	C-00100-065	Alum. Ball Dia. 6mm - for Ball Joint - 2 pcs
	C-00100-066	Alum. Shim Ring - ID 3mm - OD 4mm - 0.5mm - 10 pcs
	C-00100-067	Alum. Shim Ring - ID 3mm - OD 4mm - 1.0mm - 10 pcs

	C-00100-073	D-Lock Diff Plate - Carbon Steel - 2 pcs
	C-00100-075	Belleville Washer - Steel - 4 pcs
	C-00100-077	Alum. Shim Ring - ID 6.35mm - 0.4mm - 5 pcs
	C-00100-079	Alum. Pivot Ball - Hardcoated - 2 pcs
	C-00100-082	Alum. Threaded Ball 4.25mm - 2 pcs
	C-00100-083	Alum. Shim Ring - ID 3mm - OD 5mm - 3mm - 5 pcs







	C-00100-101	Shock Spring - Blue 1.0mm - Medium - 1 pc <b>OPTIONAL PART</b>
	C-00100-102	Shock Spring - Black 0.9mm - Soft - 1 pc <b>OPTIONAL PART</b>
	C-00100-103	Side Springs - Silver 0.6mm - Medium Soft - 2 pcs <b>OPTIONAL PART</b>
	C-00100-104	Side Springs - Black 0.7mm - Medium - 2 pcs <b>OPTIONAL PART</b>
	C-00100-105	Front Spring Coils - Blue 0.6mm - Hard - 2 pcs <b>OPTIONAL PART</b>
	C-00100-106	Front Spring Coils - Black 0.5mm - Medium - 2 pcs <b>OPTIONAL PART</b>







	C-00100-108	Side Springs - Blue 0.8mm - Hard - 2 pcs <b>OPTIONAL PART</b>
	C-00120-001	Chassis FSX-10 - Graphite 2.5mm - 1 pc
	C-00120-002	Rear Pod Upper Plate FSX-10 - Graphite 2.5mm - 1 pc
	C-00120-003	Suspension Arm Mount Plate FSX-10 - Upper - Graphite 2.5mm - 1 pc
	C-00120-004	Body Mount Plate FSX-10 - Graphite 2.5mm - 1 pc
	C-00120-005	Front Suspension Arm FSX-10 - Lower - Graphite 2.5mm - 1 pc

	C-00120-006	Rear Brace FSX-10 - Lateral - Graphite 2.5mm - 1 pc
	C-00120-007	Rear Pod Lower Plate FSX-10 - Graphite 2.5mm - 1 pc
	C-00120-008	Front Suspension Arm FSX-10 - Upper - Graphite 2.5mm - 1 pc
	C-00120-009	Rear Wing Bulkhead Plate FSX-10 - Graphite 2.5mm - 1 pc
	C-00120-010	Composite Rear Wing FSX-10 - Part A + B - 1 set
	C-00120-012	Composite Front Wing FSX-10 - 1 pc

	C-00120-014	Composite Wing Mount FSX-10 - 1 pc
	C-00120-015	Alum. Rear Bulkhead Motor FSX-10 - SSX-10 - Left - 7075 T6 - 1 pc
	C-00120-016	Alum. Rear Bulkhead Motor FSX-10 - SSX-10 - Right - 7075 T6 - 1 pc
	C-00120-017	Alum. Side Linkage Damper Tube FSX-10 - 2 pcs
	C-00120-018	Composite Damper Tube Rod FSX-10 - 2 pcs
	C-00120-019	Alum. Rear Wheel Hub FSX-10 - Left - 1 pc

	C-00120-020	Alum. Rear Wheel Hub FSX-10 - Right - 1 pc
	C-00120-021	Alum. Rear Drive Axle FSX-10 - 1 pc
	C-00120-022	Pin 2x14 - Steel - 5 pcs
	C-00120-023	Composite Lock Nut FSX-10 - pc
	C-00120-024	Alum. Bearing Insert for Diff. FSX-10 - 1 pc
	C-00120-025	Graphite Rear Axle shaft FSX-10 - 1 pc

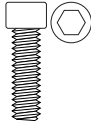
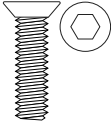
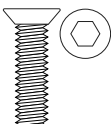
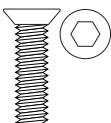
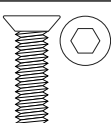
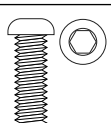
	C-00120-027	Alum. Servo Mount Post - 2 pcs
	C-00120-028	Alum. Damper Holder FSX-10 - SSX-10 - 1 pc
	C-00120-029	Alum. Spacer Holder - 27mm - 2 pcs
	C-00120-030	Alum. Spacer Holder - 30mm - 2 pcs
	C-00120-031	Alum. Steering Pivot Post FSX-10 - 1 pc
	C-00120-032	Alum. Spacer Holder - A - 12mm - 2 pcs

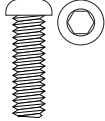
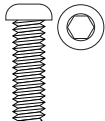
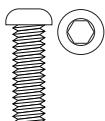
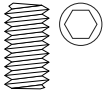
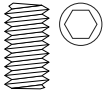
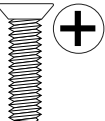
	C-00120-033	Alum. Spacer Holder - B - 11mm - 2 pcs <b>OPTIONAL PART</b>
	C-00120-034	Alum. Spacer Holder - C - 10mm - 2 pcs <b>OPTIONAL PART</b>
	C-00120-035	Alum. Spacer Holder - D - 9mm - 2 pcs <b>OPTIONAL PART</b>
	C-00120-036	Alum. Camber Adjustment Plate FSX10 - A - 6° - 9° - 1 pc
	C-00120-037	Alum. Camber Adjustment Plate FSX10 - B - 3° - 12° - 1 pc <b>OPTIONAL PART</b>
	C-00120-038	Alum. Excentric Caster Nut - A - 1° - 2 pcs



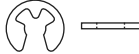
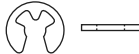


	C-00120-039	Alum. Excentric Caster Nut - B - 0.5° - 1.5° - 2 pcs <b>OPTIONAL PART</b>
	C-00120-040	Alum. Excentric Caster Nut - C - 0° - 2.0° - 2 pcs <b>OPTIONAL PART</b>
	C-00120-041	King Pin FSX-10 - Steel - 2 pcs
	C-00120-042	Composite Steering Knuckle FSX-10 - 2 pcs
	C-00120-043	Front Wheel Axle FSX-10 - Steel - 2 pcs
	C-00120-044	Turnbuckle M3 x 35mm - Steel - 2 pcs



	C-00120-047	Composite Steering Arm FSX-10 - 1 pc
	C-00120-048	Composite Arm Bushing - 8 pcs
	C-00120-049	C-Clips 7mm - Steel - 8 pcs
	C-10114	Servo Saver Small - 25T Spline - 1 pc
	C-30001	Steel Screws M3 X 8mm - Hex Socket Head - 10 pcs
	C-30018	Steel Screws M2 X 4mm - Hex Socket Head - 10 pcs

	C-30030	Steel Screws M2.5 X 6mm - Hex Socket Head - 10 pcs
	C-30050	Steel Screws M3 X 6mm - Hex Flat Head - 10 pcs
	C-30051	Steel Screws M3 X 8mm - Hex Flat Head - 10 pcs
	C-30052	Steel Screws M3 X 10mm - Hex Flat Head - 10 pcs
	C-30063	Steel Screws M4 X 12mm - Hex Flat Head - 10 pcs
	C-30100	Steel Screws M3 X 6mm - Hex Button Head - 10 pcs

	C-30101	Steel Screws M3 X 8mm - Hex Button Head - 10 pcs
	C-30102	Steel Screws M3 X 10mm - Hex Button Head - 10 pcs
	C-30103	Steel Screws M3 X 12mm - Hex Button Head - 10 pcs
	C-30152	Steel Set Screws M3 X 8mm - Hex - 10 pcs
	C-30157	Steel Set Screws M3 X 6mm - Hex - 10 pcs
	C-30200	Steel Screws M2.5 X 6mm - Philips Flat Head - 10 pcs

	C-31025	Alum. Nylstop Nut M3 - Red - 10 pcs
	C-31035	Alum. Nylstop Nut M4 - Red - 10 pcs
	C-32150	E-Clips Dia. 1.5mm - 10 pcs
	C-32151-T	E-Clips Dia. 2.3mm - Thin - 10 pcs
	C-360525	Ball Bearing ABEC 3 - 8 x 5 x 2,5mm - 4 pcs
	C-360510	Ball Bearing ABEC 3 - 5 x 10 x 4mm - 4 pcs

	C-38010	Precision Diff. Balls 1/8 - Chrome - 12 pcs
	C-38020	Precision Diff. Balls 1/8 - Ceramic - 12 pcs <b>OPTIONAL PART</b>
	C-381438	Ball Bearing ABEC 3 - 1/4 x 3/8 - 4 pcs
	C-391438	Ball Bearing ABEC 3 - 1/4 x 3/8 - Flanged - 4 pcs
	C-75090	Delrin CNC-Cut Spur Gear 90T - 64DP - 1 pc



[www.corally.com](http://www.corally.com)

This manual is an edition of Team Corally, Geelseweg 80, B-2250 OLEN (Belgium). This manual is protected by a copyright and nothing from this edition may be reproduced or used without any prior written authorisation. Whilst every effort has been made to ensure the accuracy of the information in this catalogue, errors do creep in and Team Corally can accept no responsibility for failures, wrong specifications, accuracy of colours, losses or damages caused. Team Corally denies any responsibility claims or damages caused by use of our products. Team Corally is not responsible for product changes or availability of our products. The products of dangerous nature included in this manual are submissive to special handling and storage specifications. Please check with your local authorities for existing legislation.



Team Corally • Geelseweg 80 • 2250 Olen • Belgium  
Tel: +32 14 25 92 94 • info@corally.com • www.corally.com

