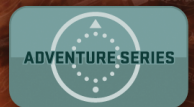


INSTRUCTION MANUAL
AX90044-1001

TRAIL PROVEN OFF-ROAD PERFORMANCE

SCX10

SCX10™ DEADBOLT™
1/10th SCALE ELECTRIC 4WD RTR



 **axial**®

www.axialracing.com

SCX10

CAUTIONS



To prevent serious personal injury and/or property damage, operate all remotely controlled models in a responsible manner as outlined herein.

CHOOSE THE RIGHT PLACE TO OPERATE YOUR R/C MODEL.

- Do not run on public streets or highways. This could cause serious accidents, personal injuries, and/or property damage.
- Never run R/C models near people or animals.
- To avoid injury, do not run in confined spaces.
- Do not run where loud noises can disturb others, such as hospitals and residential areas.
- Never run indoors. There is a high risk of fire and/or damage.

INSPECT YOUR MODEL BEFORE OPERATION.

- Make sure that all screws and nuts are properly tightened. It is also a good idea to use removable thread lock wherever metal screws go into metal, especially for engine mounts and the engine pilot shaft.
- Always use fresh batteries for your transmitter and for your receiver to avoid losing control of the model.
- Always test the brakes and throttle before starting your engine to avoid losing control of the model.

AFTER OPERATION OF YOUR R/C MODEL

- Turn off receiver first, then turn off transmitter, this will prevent runaways.
- Be careful when handling batteries, they will be hot after running.
- Replace any batteries that have been dented or have frayed wires, short circuits can cause fire.
- Be sure to keep your R/C model clean and free of excess dirt and grease, this will increase the life.

VORSICHT!



Um Verletzungen an Personen und/oder Sachschäden zu vermeiden, sollten alle ferngesteuerten Modelle sorgfältig und verantwortungsbewusst bedient werden, wie nachfolgend beschrieben.

Wählen Sie den richtigen Platz zum Fahren

- Fahren Sie niemals auf öffentlichen Straßen. Dies könnte Verkehrsunfälle, Personen schäden oder Sachschäden verursachen.
- Fahren Sie niemals in der Nähe von anderen Personen oder Tieren.
- Fahren Sie niemals auf belebten Straßen.
- Fahren Sie nie in der Nähe von Wohnhäusern oder Krankenhäusern. Der Lärm könnte andere Personen stören.
- Fahren Sie niemals in Innenräumen. Dort könnte etwas beschädigt werden.

Überprüfen Sie Ihr Modell, bevor Sie es in Betrieb nehmen.

- Gehen Sie sicher, dass alle Schrauben und Muttern festgezogen sind. Verwenden Sie überall dort Schrauben-Sicherungslack, wo Metallschrauben in ein Metallgewinde greifen, besonders bei den Motorhaltern.
- Um Störungen zu vermeiden, benutzen Sie immer voll geladene Akkus in Ihrem Sender und Empfänger.
- Bevor Sie den Motor starten, sollten Sie immer die Funktion der Bremse und des Gashebels testen.

Nach Betrieb des RC Modells:

- Zuerst den Empfänger abdrehen, dann den Sender abdrehen um unkontrolliertes Durchgehen zu vermeiden.
- Seien Sie vorsichtig mit gebrauchten Akkus, sie können nach dem Gebrauch heiß sein.
- Ersetzen Sie Akkus/Batterien die beschädigt sind oder schadhafte Kabel aufweisen, sie können Kurzschlüsse oder Feuer verursachen.
- Halten Sie Ihr Fahrzeug sauber und entfernen Sie Schmutz und Schmierfett, damit erhöhen Sie die Lebensdauer Ihres Modells.

PRECAUTIONS



Afin d'éviter toutes blessures corporelles et/ou dommages environnants, veuillez procéder en toute responsabilité comme indiqué ci-dessous

Choisir le lieu adéquat pour faire rouler votre modèle.

- Ne jamais rouler dans les rues ou sur les routes ouvertes au public. Ceci peut provoquer de graves accidents.
- Ne jamais rouler près de personnes ou d'animaux.
- Pour éviter les blessures, ne pas rouler dans des espaces confinés.
- Ne jamais rouler où le bruit peut déranger, comme aux abords des hôpitaux ou des quartiers résidentiels.
- Ne jamais rouler à l'intérieur: les gaz d'échappement sont nocifs.

Controler votre modèle avant chaque utilisation.

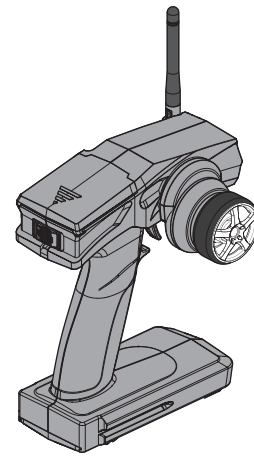
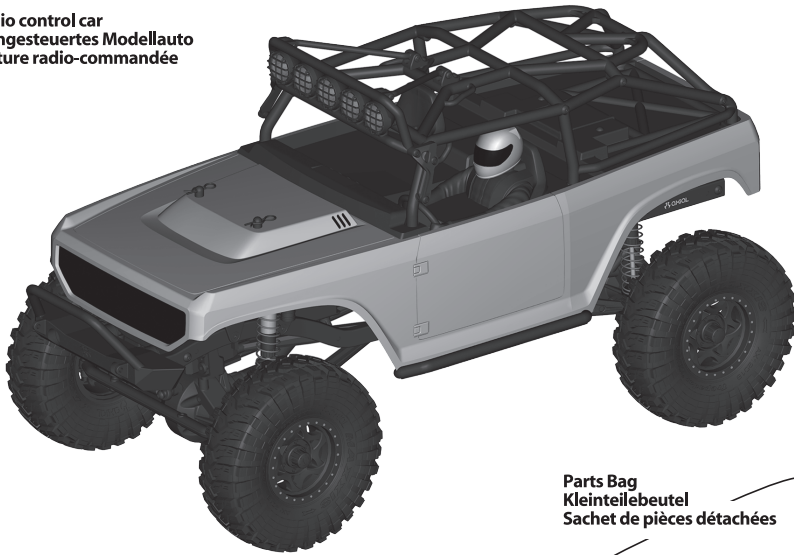
- Vérifier que les vis et les écrous sont bien serrés. Il est très fortement conseillé d'utiliser du frein filet pour bloquer les vis qui sont en contact avec du métal et tout particulièrement les vis du moteur.
- Toujours utiliser des batteries bien chargées pour l'émission et la réception.
- Toujours vérifier les freins et la commande des gaz avant de démarrer.

Après l'Opération De Votre Modèle de R/C

- Le virage du récepteur premier, alors virage de l'émetteur, ceci empêchera des fuitifs.
- Faire attention en contrôlant des piles, ils auront chaud après avoir couru.
- Remplacer n'importe quelles piles qui ont été cabossées ou a éraillé des fils, les court-circuits peuvent causer le feu.
- Etre sûr de garder votre modèle de R/C nettoie et libère de terre et la graisse supplémentaires, ceci augmentera la vie.

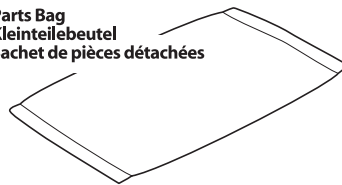
Included items / Im Baukasten enthalten / Outils inclus dans le kit

Radio control car
Ferngesteuertes Modellauto
Voiture radio-commandée

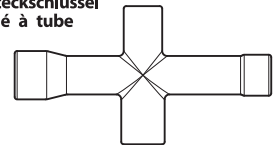


2.4GHz
Transmitter
Sender
Emetteur

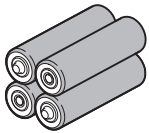
Parts Bag
Kleinteilebeutel
Sachet de pièces détachées



Cross wrench
Steckschlüssel
Clé à tube



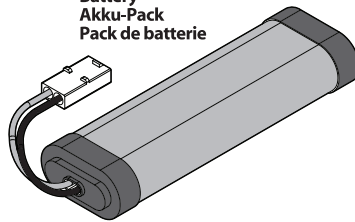
Equipment needed / Benötigtes Zubehör / Equipement nécessaire



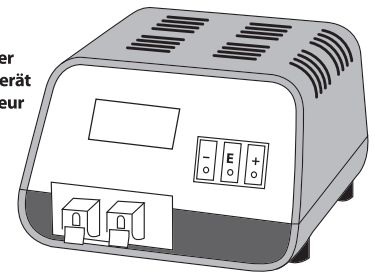
x4

4 AA Alkaline Dry Batteries.
4 St. AA Trockenbatterien.
4 piles type R6 pour votre
radio commande.

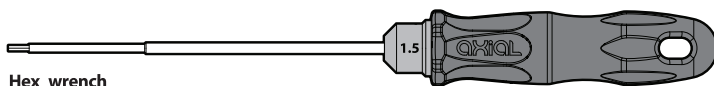
Battery
Akku-Pack
Pack de batterie



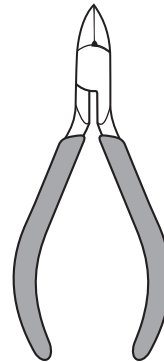
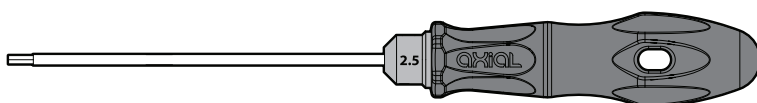
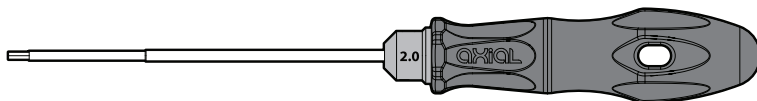
Charger
Ladegerät
Chargeur



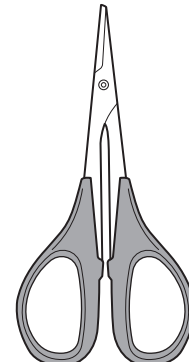
Tools Recommended / Benötigte Werkzeuge / Outillage



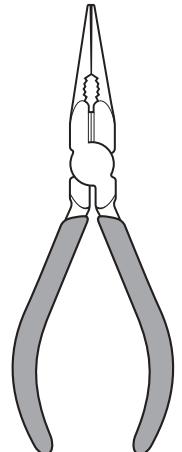
Hex wrench
Inbusschlüssel
Clé Allen



Side cutter
Seitenschneider
Pincers coupantes

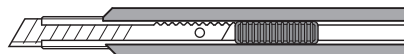


Curved scissors
Schere
Ciseaux

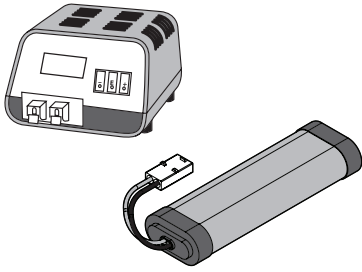


Long nose pliers
Flachzange
Pincers à becs longs

Modeling knife
Modelliermesser
Couteau de modéliste



Charge your battery / Laden des Fahrakkus / Chargement de la batterie



Follow the manufacturer's directions for the charger you purchased to properly charge your batteries.

Folgen Sie den Herstelleranweisungen für den Auflader Ihres gekauften ordentlich, Ihre Batterien zu laden.

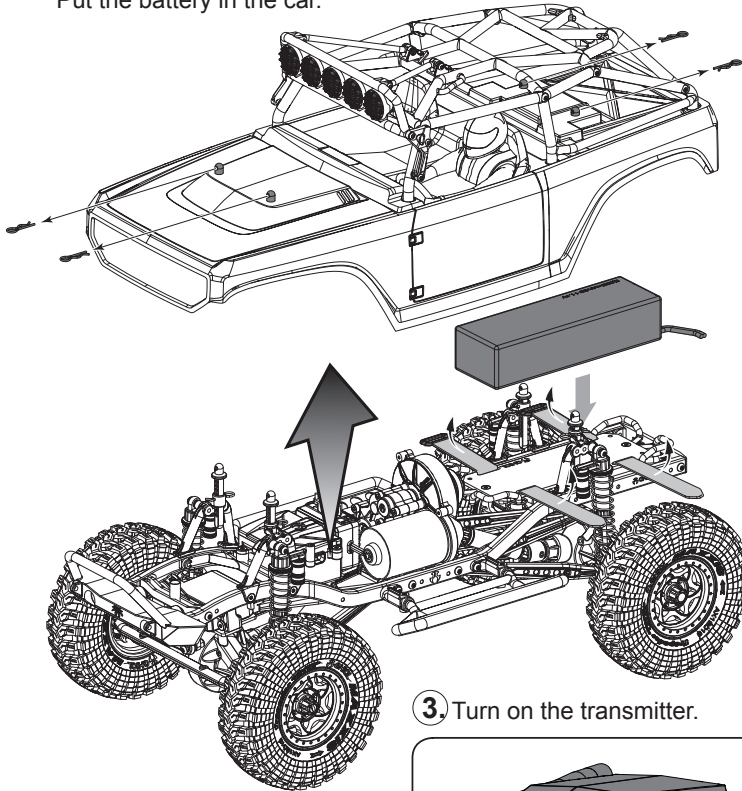
Suivre les directions de fabricant pour le chargeur votre a acheté convenablement pour charger vos piles.

Do not use Nickel Cadmium battery charger for Nickel Metal Hydride batteries. If you do not use the special charger for Nickel Metal Hydride batteries, the batteries will be damaged.

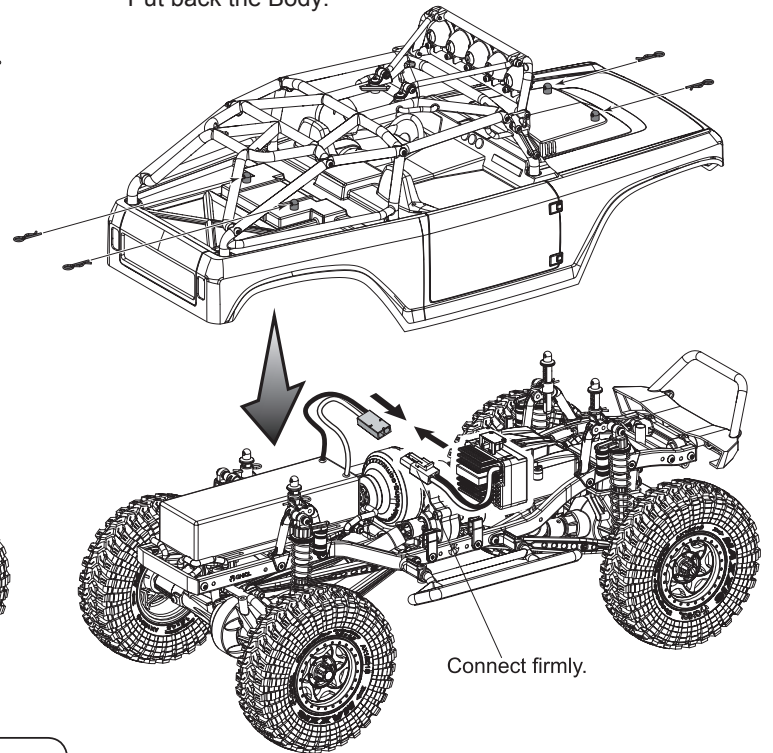
Verwenden Sie kein Ladegerät, dass für Nickel Cadmium Akkus gedacht ist, um Nickel Metal Hydrid Akkus zu laden. Wenn Sie kein spezielles Ladegerät für Nickel Metal Hydrid Akkus verwenden, können diese beschädigt werden.

N'utilisez pas de chargeur pour batteries Cadmium-Nickel pour charger des batteries Nickel-Métal Hydride. Si vous n'utilisez pas un chargeur spécial pour des batteries Nickel-Métal Hydride, celles-ci seront endommagées.

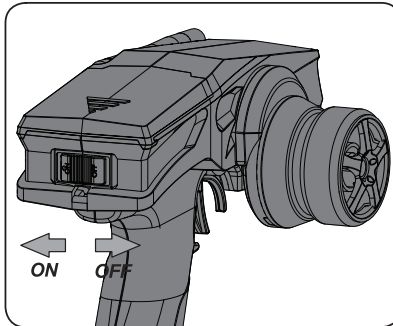
- ① Removing the Body
Put the battery in the car.



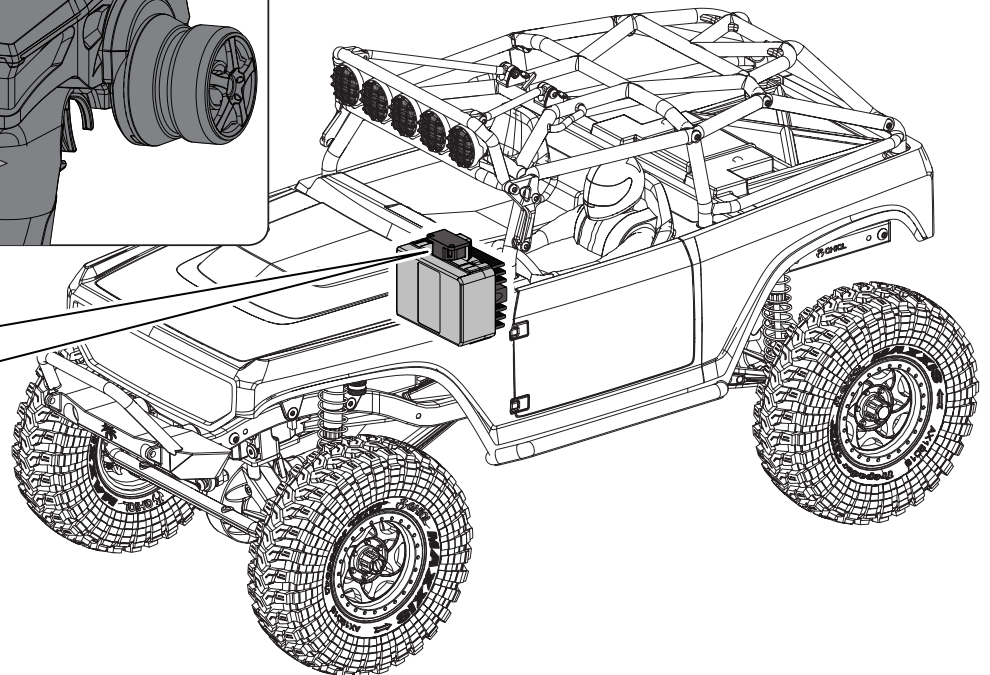
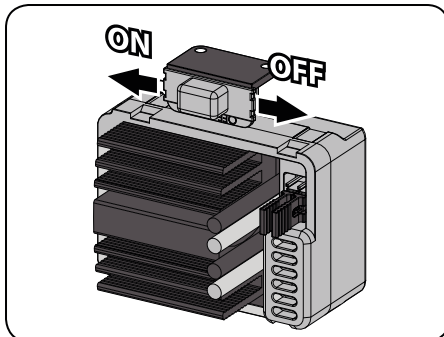
- ② Install the battery
Put back the Body.



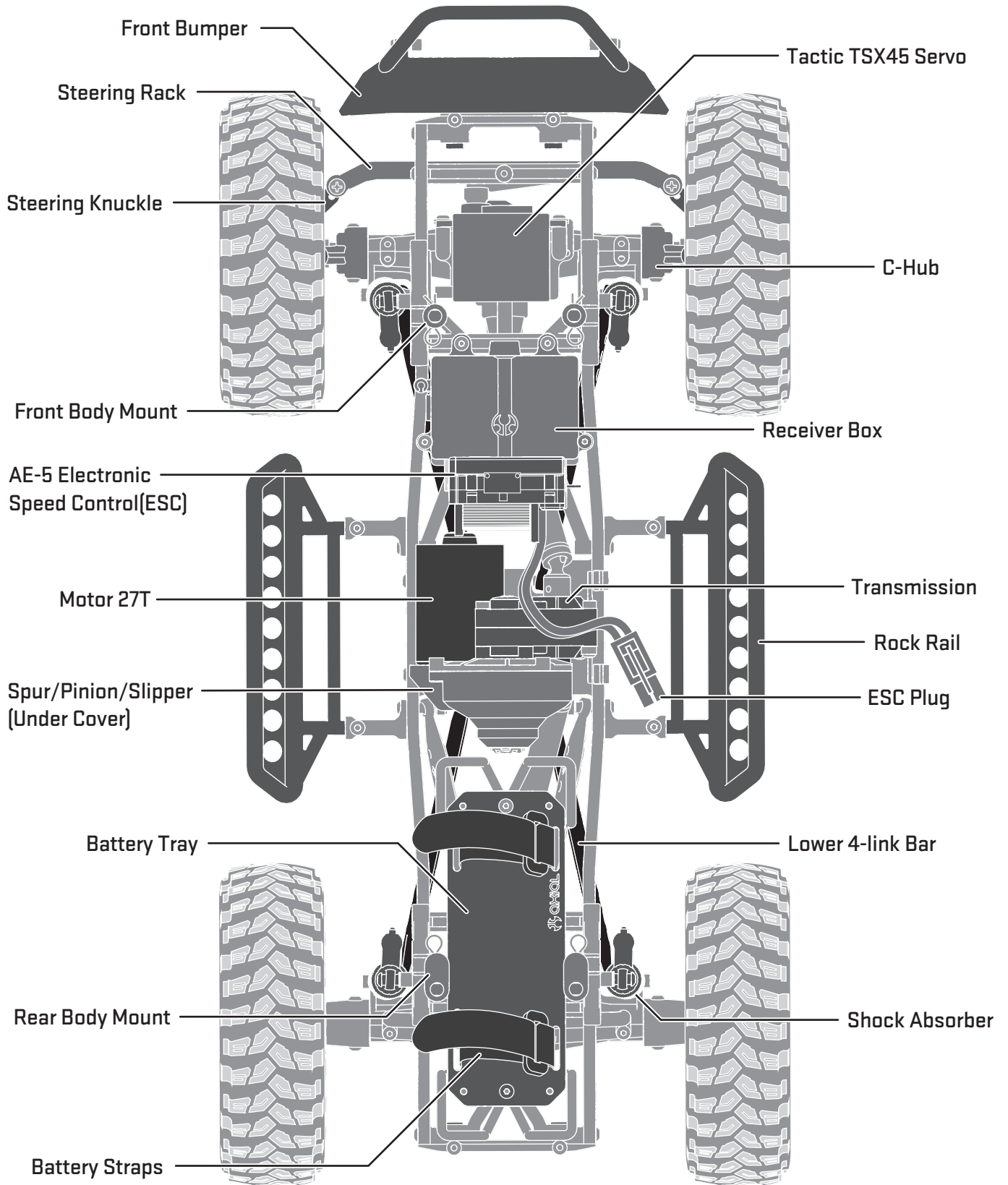
- ③ Turn on the transmitter.



- ④ Turn on the electronic speed controller.

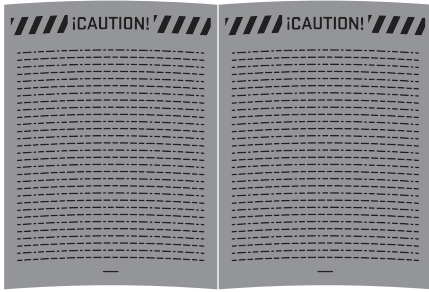


Top View Parts

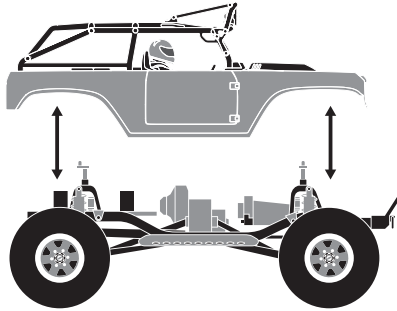


Getting-Started Checklist

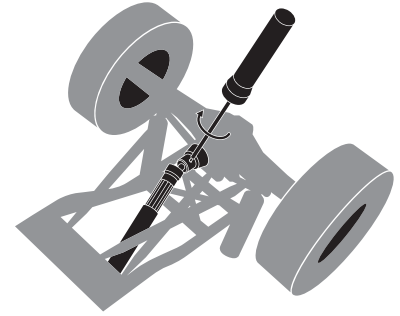
The following checklist is a guide for getting you vehicle running for the first time.



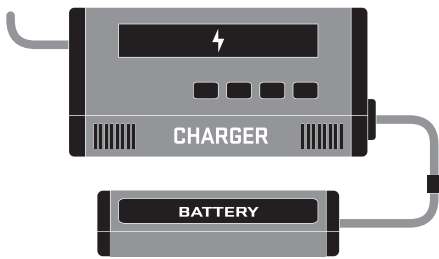
- Read 'Cautions' in Manual. (Page 2)



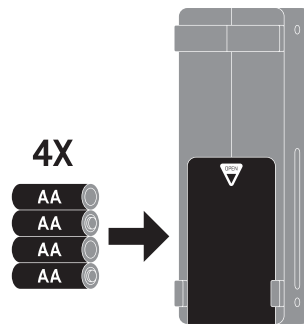
- Familiarize yourself with vehicle and its components.



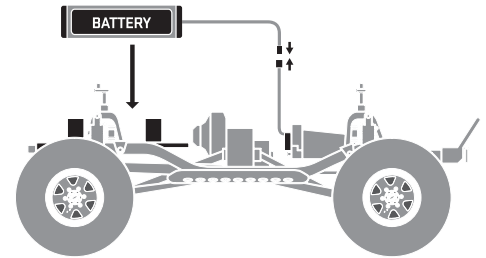
- Even though the vehicle is new check driveshaft setscrews and other screws to make sure they are tight from the factory.



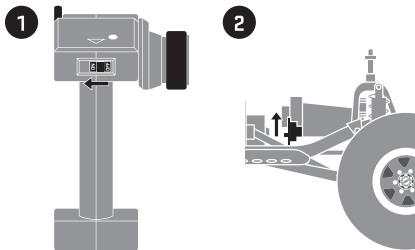
- Charge battery pack. (Page 4)



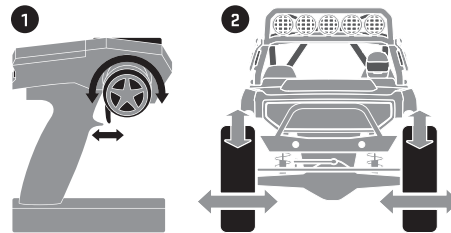
- Install 4X AA batteries into Transmitter. (Page 7)



- Install battery pack in vehicle. (Page 4)



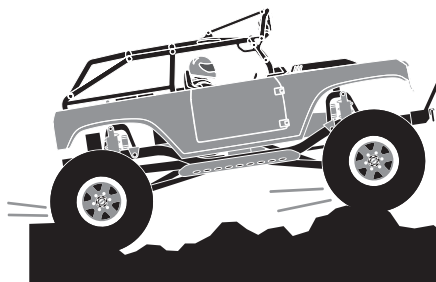
- Turn on transmitter FIRST then ESC. (Page 4)



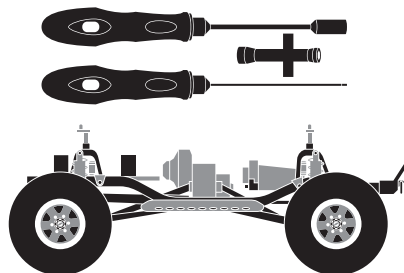
- Check to make sure steering and throttle operation work correctly. (Page 7)



- Range check radio system. (Next Page)



- Drive vehicle, challenge yourself and have fun!



- Maintain vehicle. (Next Page)

Range-Checking Your Radio System

The radio system should be checked before operating the vehicle to ensure it's operating properly and has adequate range.



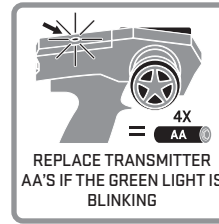
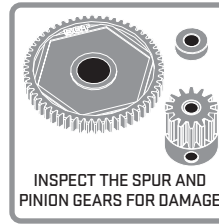
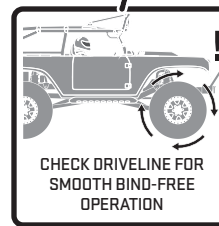
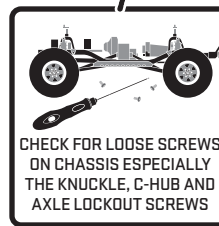
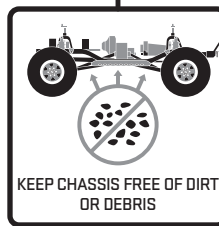
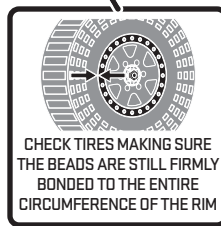
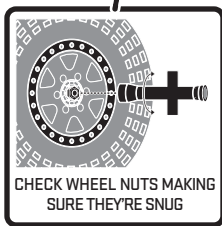
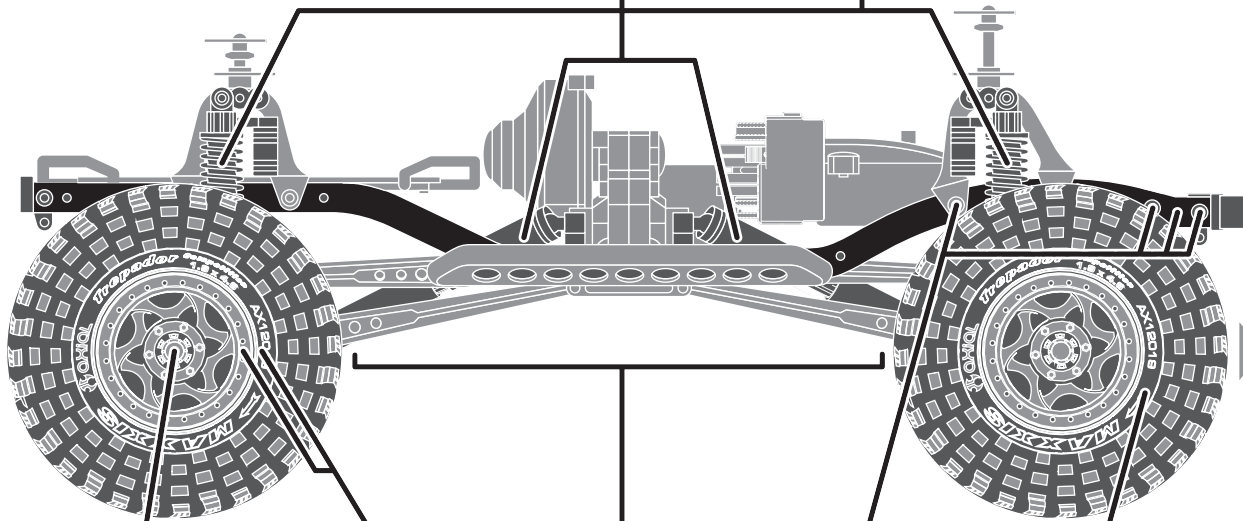
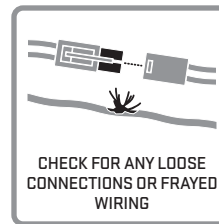
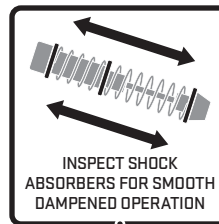
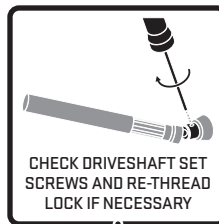
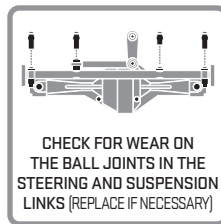
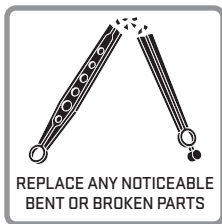
1. Turn on the transmitter first and then the vehicle.
2. Have a friend hold the vehicle while keeping hands and loose clothing away from moving parts.
3. Walk away until you are at the farthest distance you plan to operate the vehicle.
4. Steer the vehicle back and forth and throttle both forward and reverse making sure there is no erratic behavior.
5. If any erratic behavior is exhibited do not operate the vehicle, call customer service for further assistance.



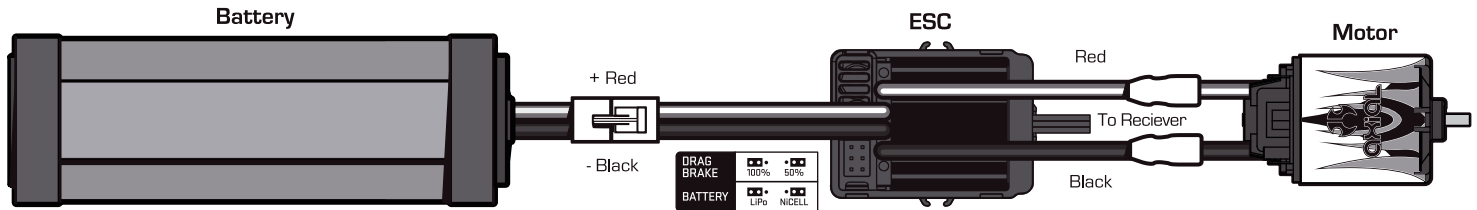
RANGE-CHECKING FOR DISTANCE

Maintaining Your Vehicle

Just like a full size car or truck your RC vehicle must undergo periodic maintenance in order to ensure peak running performance. Preventative maintenance will also help avoid needless breakages which could result in costly repairs. Below are some suggestions to properly maintain your vehicle.



AE-5 Forward/Reverse ESC w/ Drag Brake



Setup:

Throttle calibration should not be needed out-of-the-box. However in order to make the ESC match the throttle range of different transmitters, the calibration of the ESC is necessary:

- Mount the ESC in an area that is well ventilated and isolated from vibration and shock.
- Connect the ESC wires to the motor red-red & black-black.
- Plug the receiver wire into the throttle channel on the receiver. The black negative wire should be towards the outside of the receiver.
- Before plugging the battery into the ESC, make sure your transmitter is on and the throttle trim is set at zero.
- Plug in the battery to the ESC with the ESC switch in the OFF position.
- To calibrate the ESC, turn on the transmitter keeping throttle stick at its neutral position.
- Wait for 3 seconds to let the ESC execute self-test and automatic throttle calibration.
- When the ESC is ready to run, a long beep sound is emitted from the motor.

Do not reverse the battery wire connections! Reversing the battery polarity will permanently damage the esc.

Notes:

- Drag Brake set to 100% from the factory.
- LiPo Cut-Off is set to "ON" from the factory.

Specifications:

Input Voltage:	2-3S LiPo, 5-9 Cells NiMH/NiCd
Size:	46,5mm x 34mm x 28,5mm
Weight:	70g
Motor Limit:	12T 2S / 18T 3S
On-Resistance FET:	.002
Rated/Peak Current:	180A
Braking Current:	90A
BEC Voltage/A:	5.0V 2/0A Peak
PWM Frequency:	1KHz

Beep Sound and LED Status:

1 Short Beep:	Battery is NiMH/NiCd
2 Short Beeps:	Battery is 2S Lipo
3 Short Beeps:	Battery is 3S Lipo
1 Long Beep:	Self-test and throttle calibration is OK and ESC is ready to run



CONNECT THE BATTERY PACK JUST BEFORE DRIVING AND DISCONNECT IT IMMEDIATELY AFTER.

ALWAYS MAKE SURE YOU ARE CONNECTING THE ESC TO A PROPER POWER SOURCE THAT HAS THE CORRECT VOLTAGE & POLARITY. INCORRECT VOLTAGES OR REVERSED POLARITY WILL DAMAGE THE ESC.

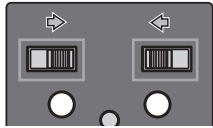
ONCE THE BATTERY PACK IS CONNECTED, HANDLE THE MODEL WITH EXTREME CARE, MAKE SURE YOU ARE CLEAR OF ALL ROTATING PARTS.

NOTES

SETUP BEFORE STARTING - EINSTELLUNG VOR DEM START

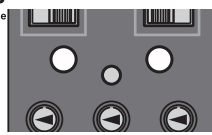
Steering and Throttle Reverse Switch Servo Reverse Schalter

Servo Factory Settings
Beachten Sie die Pfeile für die Servo Grundeinstellung



Binding Button Binding Taster

The other side
Rückseite



ST.D/R Steering Dual Rate Maximaler Lenkausschlag



To be used to adjust steering servo rate and range.
Einstellung des maximalen Lenkausschlags.

Battery Level Indicator Batterie Statusanzeige

Good Batteries
Volle Batterien

Low Batteries
Fast leere Batterien

When the batteries are low the green indicator light will flash.

Throttle Trim Gastrimmung

To be used for trimming the throttle operation.
Wird verwendet um den Gasnullpunkt einzustellen.



Steering Trim Lenktrimmung

To be used for trimming the steering operation.
Wird verwendet, um den Geradeauslauf einzustellen.



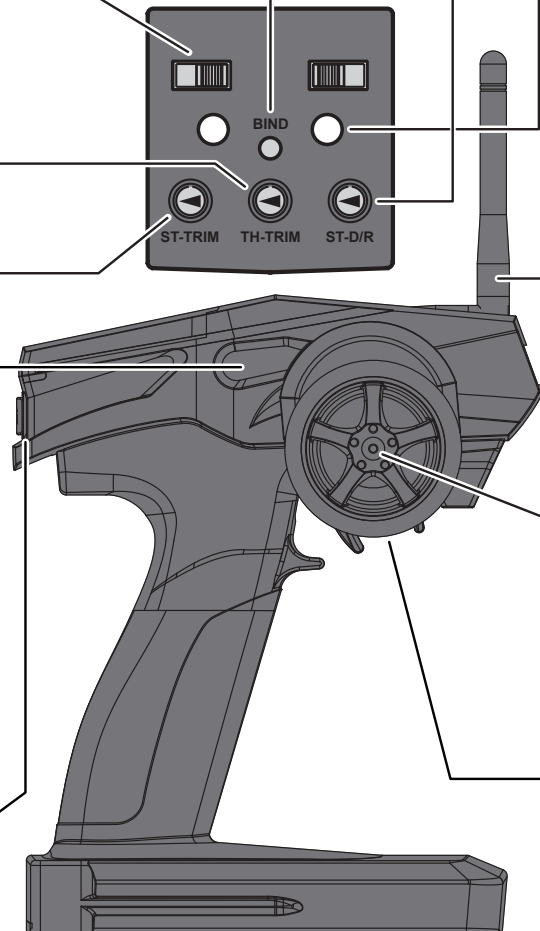
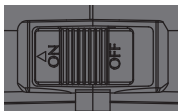
Charger plug in Ladebuchse



※ Rechargeable AA batteries required.
Charger not included. Nutzen Sie diese Ladebuchse nur mit aufladbaren Batterien.

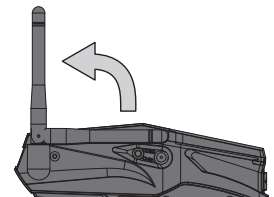
Power Switch Ein/Aus Schalter

ON AN OFF AUS



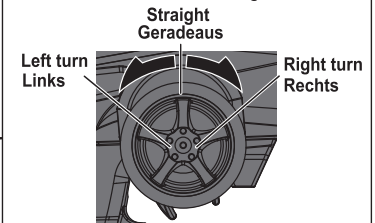
Antenna/Antenne

Flip the antenna up before use



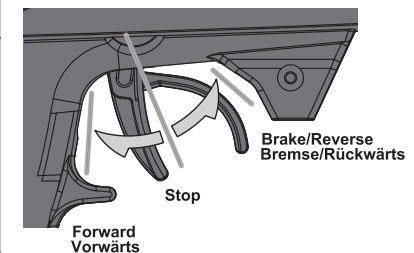
Steering Wheel Lenkrad

To be used for steering operation.
Wird verwendet um das Fahrzeug zu steuern.



Throttle Trigger Gas/Brems Hebel

To be used for throttle operation.
Um das Fahrzeug zu beschleunigen & abzubremsen.



RADIO BINDING INSTRUCTIONS

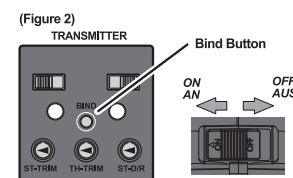
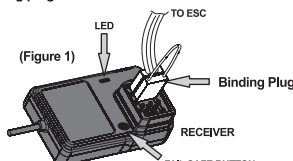
The radio system is bound from the factory so no binding should be necessary. However, if you are matching a new receiver to the transmitter, please follow these steps:

1. Install AA batteries into the transmitter.
2. Insert the binding plug into CH 3 port on the receiver. (Figure 1)
3. Turn on the receiver. You will notice the two LED's are now flashing meaning the receiver is in 'seek' mode and ready to find the transmitter.
4. Press and hold the binding button on the transmitter while turning on the power switch. (Figure 2)
5. The LED's on the receiver should stop flashing indicating it's now bound to the transmitter.
6. Release the binding button on the transmitter and remove the binding plug from the receiver.
7. Turn off the receiver, then turn off the transmitter. Once powered on again, radio binding has been completed.

If the system did not bind please repeat step's 1-7 again or call Axial Customer Service: (877) 64-AXIAL (877-642-9425). NOTE: the AX-3 transmitter will only bind with the AR-3 receiver

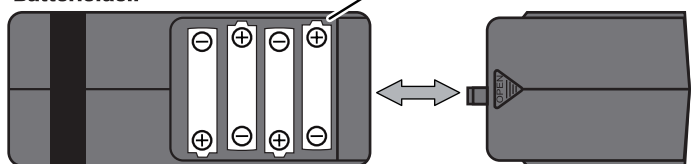
Fail Safe Programming

1. With the radio system bound and powered up, position the throttle trigger to the stop position. For electric applications with drag brake, put the trigger in the stop position. For Nitro applications, position the throttle to apply some amount of brake.
2. With the throttle trigger positioned to desired fail safe position press and hold the button on the receiver until the red LED starts flashing. As soon as it starts flashing release the button; it will then flash for 3 more seconds. Fail safe is now programmed.
3. To test, elevate your vehicle so the tires are off the ground. Apply some throttle and turn the transmitter off. If the throttle returns to neutral within a few seconds, fail safe is programmed correctly. If your vehicle keeps running, fail safe was not programmed correctly; repeat steps 1 and 2.



Battery Cover Batteriefach

4X AA alkaline batteries
4X Pilaas alcalinas AA



Transmitter Battery Installation/Einglegen der Senderbatterien

Open battery cover at bottom of transmitter. Install batteries. Follow the direction of batteries designated in the inside of battery box.
Öffnen Sie das Batteriefach an der Unterseite des Senders. Legen Sie die Batterien entsprechende der angegebenen Polarität ein.

ATTENTION

Do not mix batteries of different ages or types.
Mischen Sie keine Batterien verschiedenen Typs oder Alters.



- NEVER RUN R/C MODEL IN CROWDED AREA OR NEAR SMALL CHILDREN
- PROTECT YOUR SYSTEM FROM MOISTURE
- REMOVE BATTERY FROM R/C MODEL WHEN STORING



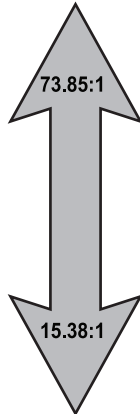
Gear Ratio / Getriebeübersetzung

Use this equation to calculate the final drive ratio.
Final Drive Gear Ratio = 1 / ((pinion/Spur) X .13)

Mit dieser Gleichung können Sie die Gesamtübersetzung berechnen.

Gesamtübersetzung = 1 / ((pinion/Spur) X .13)

Slower - More Torque
Langsamer - Mehr Kraft



Faster - Less Torque
Schneller - Weniger Kraft

		48 Pitch									
		Spur									
		70	72	75	78	81	85	87	90	93	96
Pinion	10								69.23	71.54	73.85
	11								62.94	65.03	67.13
	12							55.77	57.69	59.62	61.54
	13							51.48	53.25	55.03	56.80
	14						46.70	47.80	49.45	51.10	52.75
	15						43.59	44.62	46.15	47.69	49.23
	16						40.87	44.62	43.27	44.71	46.15
	17						36.32	39.37	40.72	42.08	43.44
	18					34.62	34.41	37.18	38.46	39.74	41.03
	19					32.79	34.41	35.22	36.44	37.65	38.87
	20					31.15	32.69	33.46	34.62	35.77	36.92
	21				28.57	29.67	31.14	31.87	32.97	34.07	35.16
	22				27.27	28.32	29.72	30.42	31.47	32.52	33.57
	23				26.09	27.09	28.43	29.10	30.10	31.10	32.11
	24			24.04	25.00	25.96	27.24	27.88	28.85	29.81	30.77
	25			23.08	24.00	24.92	26.15	26.77	27.69	28.62	29.54
	26			22.19	23.08	23.96	25.15	25.74	26.63	27.51	28.40
	27		20.51	21.37	22.22	23.08	24.22	24.79	25.64	26.50	27.35
	28		19.78	20.60	21.43	22.25	23.35	23.90	24.73	25.55	26.37
	29	18.57	19.10	19.89	20.69	21.49	22.55	23.08	23.87	24.67	25.46
	30	17.95	18.46	19.23	20.00	20.77	21.79	22.31	23.08	23.85	24.62
	31	17.37	17.87	18.61	19.35	20.10	21.09	21.59	22.33	23.08	23.82
	32	16.83	17.31	18.03	18.75	19.47	20.43	20.91	21.63	22.36	23.08
	33	16.32	16.78	17.48	18.18	18.88	19.81	20.28	20.98	21.68	22.38
	34	15.84	16.29	16.97	17.65	18.33	19.23	19.68	20.36	21.04	21.72
	35	15.38	15.82	16.48	17.14	17.80	18.68	19.12	19.78	20.44	21.10

Warranty Info

AXIAL LIMITED WARRANTY

Your Axial product is warranted to be free of defects in materials and workmanship when new in the factory sealed box. This warranty does not cover damages due to normal wear and tear, users' failure to perform routine maintenance, error of assembly or installation, modifications or addition of aftermarket parts or option parts. This warranty lasts as long as the original purchaser owns the product and is not transferable (verified by dated itemized sales receipt accompanied with product). In the event of a defect under this warranty, Axial will, at our discretion, repair or replace the product, provided our inspection indicates that an original defect exists. Axial provides a 10-day warranty from the date of purchase on electronics (i.e. servo, esc, radio). Axial reserves the right to replace any product which is no longer available with a product of comparable value and function. If Axial determines the repair is not covered under warranty guidelines, there could be a charge applied for the repair and return shipping charges. Note: Purchasing products from unauthorized distributors may void warranty and prevent support and service.

INTERNATIONAL CUSTOMER WARRANTY

Please return product to the dealer where the purchase was made. If your Axial product purchase was made through an on-line retailer, any warranty issues must be taken care of by that retailer. Axial assumes no responsibility for Axial products sold internationally by on-line retailers.

REPAIR

For warranty repair, please contact Axial Customer Service at (877) 64-AXIAL (877-642-9425).

HOURS AVAILABLE:

8:00 am - 5:00 pm Monday through Friday, Central Time.

Problem
Problem
Problème

Cause
Grund
Cause

Remedy
Lösung
Remède

Does not move
Das Auto fährt nicht
Le véhicule ne bouge pas

Batteries are not installed properly in the transmitter.
Die Batterien sitzen nicht korrekt im Sender.
Les piles ne sont pas placées correctement dans l'émetteur.

Make sure batteries are properly installed.
Legen Sie die Batterien korrekt ein.
Positionnez correctement les piles dans l'émetteur.

Weak or no battery in model.
Leerer oder kein Akku im Auto.
Batterie faible ou non installée

Install charged battery.
Einbauen eines geladenen Akkus.
Mettez en place une batterie chargée

Damaged motor.
Kaputter Motor.
Moteur endommagé

Replace with new motor.
Austausch durch einen neuen Motor.
Remplacez par un nouveau moteur

Frayed or broken wiring.
Beschädigte Verkabelung.
Câble dénudé ou coupe

Splice and insulate wiring completely.
Erneuern und isolieren Sie die kaputte Stelle.
Faites une épissure et isolez complètement le câble.

ESC is shut down by heat protection circuit.
Notabschaltung des Reglers wegen Überhitzung.
Le système ESC est fermé par le circuit de protection thermique.

Stop driving immediately, do not drive the car until the Speed Controller cools down.
Fahren Sie nicht weiter. Warten Sie bis der Fahrten regler abgekühlt ist.
Arrêtez immédiatement de conduire, ne pilotez pas la voiture tant que le contrôleur de vitesse n'a pas refroidi.

No Control.
Keine Kontrolle über das Auto
Pas de contrôle

Improper antenna on transmitter or model.
Zu kurze Antenne am Sender oder Auto.
Antenne inadéquate sur l'émetteur ou le véhicule

Install charged or fresh batteries.
Einbauen voller Batterien.
Mettez des batteries rechargées ou neuves.

Weak or no batteries in transmitter or model.
Leere oder keine Batterien im Sender oder Auto.
Batterie faible ou absente dans l'émetteur ou le véhicule.

Fully extend antenna.
Ziehen Sie die Antenne vollständig aus.
Dépliez complètement l'antenne.

Neutral position or trim is incorrect.
Neutralposition oder Trimmung sind verstellt.
La position neutre est incorrecte ou le trim n'est pas réglé.

Adjust the steering trim.
Stellen Sie die Lenkungstrimmung neu ein.
Réglez le trim de direction.

Are the receiver and battery connections properly connected?
Sind der Empfänger und die Batterieverbindungen ordentlich verbunden?
Son conectadas apropiadamente las conexiones del receptor y la batería?

Check receiver and battery connections.
Prüfen Sie Empfänger und Batterieverbindungen.
Compruebe conexiones de batería y receptor.

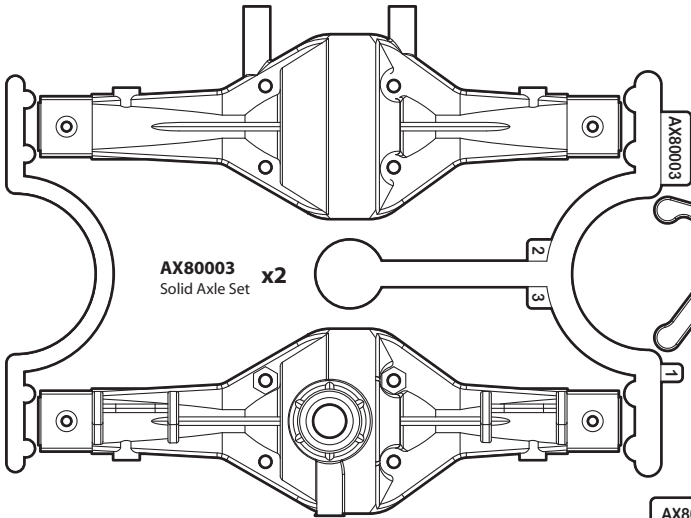
Steering and Throttle Function Reversed.
Lenkung und Gas funktionieren genau verkehrt herum.
Direction et accélération inverses.

Servo reverse switch is in wrong position.
Servorichtungs-Schalter ist in der falschen Position.
L'interrupteur de marche arrière du servo est dans la mauvaise position

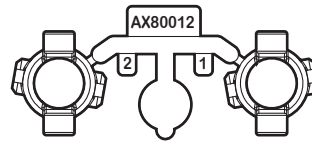
Set to correct position.
Satz, Position zu korrigieren
Vérifiez la position correcte

Please check that the wires from ESC to motor are connected properly.
Bitte überprüfen Sie, ob die Kabel vom Regler zum Motor richtig sitzen.
Veuillez vérifier que les fils allant de l'ESC au moteur sont correctement raccordés.

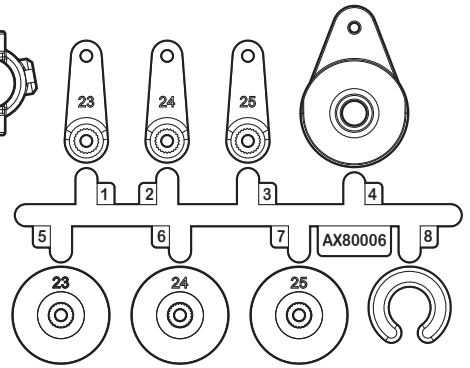
Check to make sure motor and ESC are properly connected.
Kontrolle sich zu vergewissern, dass Motor und ESC ordentlich verbunden sind.
Le contrôle pour assurer que le moteur et ESC est convenablement connecté.



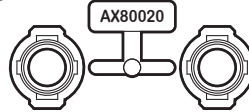
AX80003
Solid Axle Set **x2**



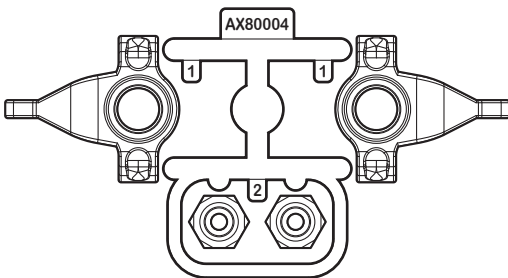
AX80012
C Hub Carrier **x1**



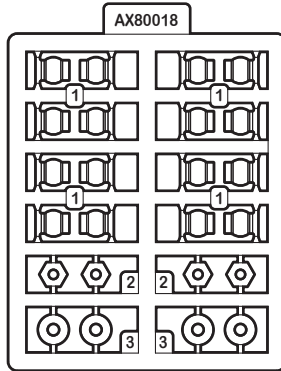
AX80006
Servo Set **x1**



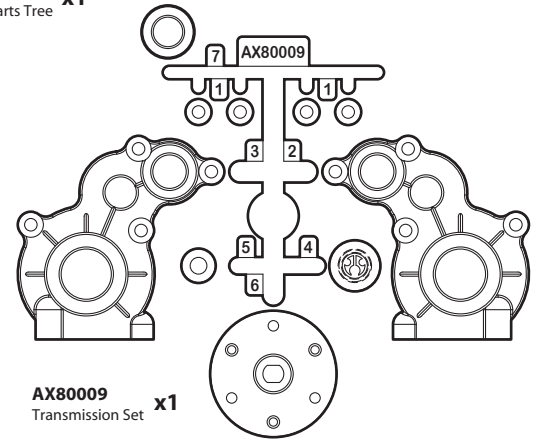
AX80020
Straight Axle Adapter Parts Tree **x1**



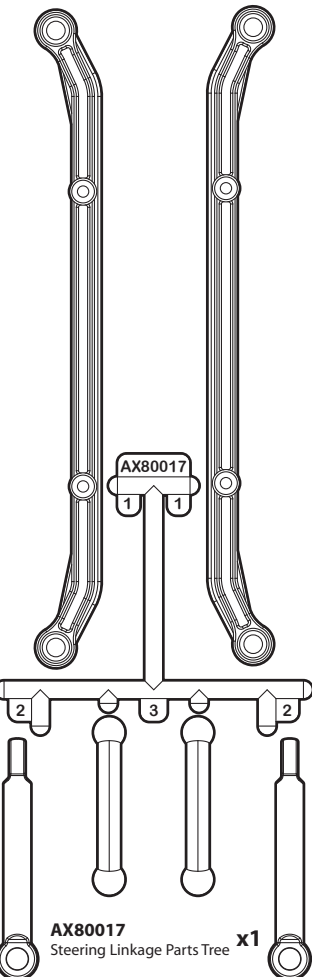
AX80004
Hub Set **x1**



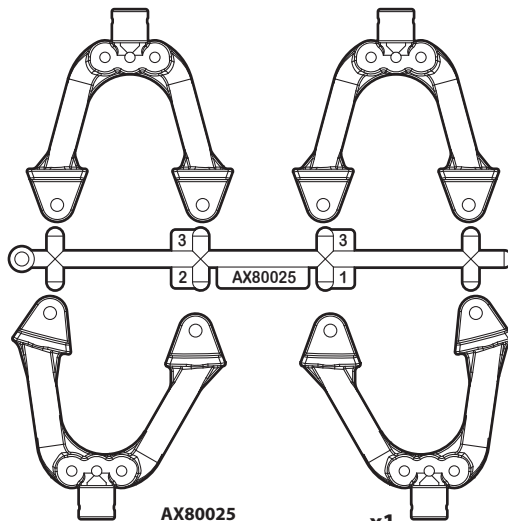
AX80018
Hardware Parts Tree **x2**



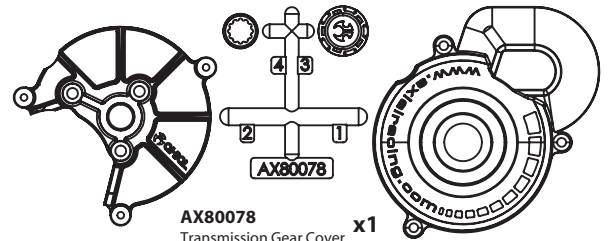
AX80009
Transmission Set **x1**



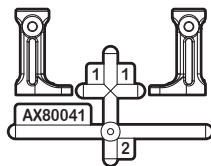
AX80017
Steering Linkage Parts Tree **x1**



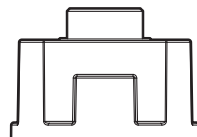
AX80025
SCX10 Shock Hoops Parts Tree **x1**



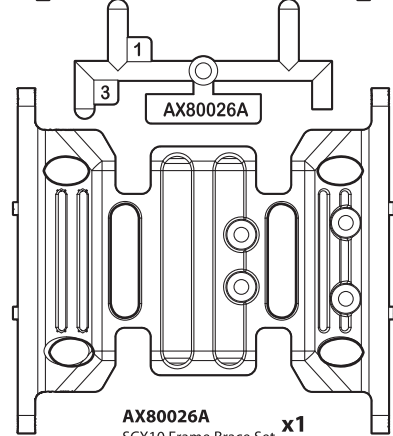
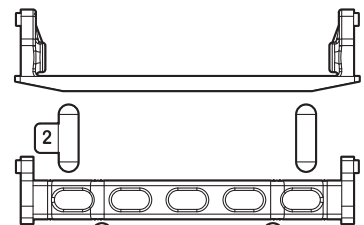
AX80078
Transmission Gear Cover **x1**



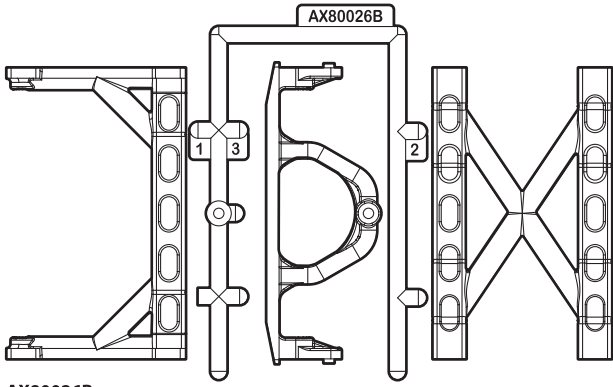
AX80041
1/10th Scale Rock Rails Set **x2**



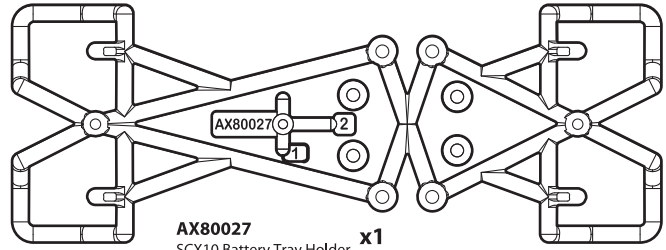
AX80002
Diff Case **x2**



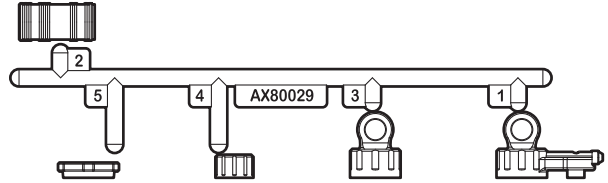
AX80026A
SCX10 Frame Brace Set **x1**



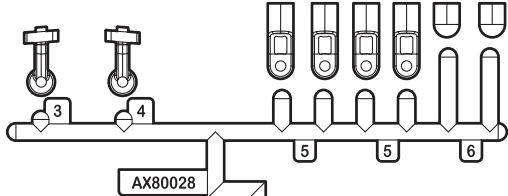
AX80026B
SCX10 Frame Brace Set **x1**



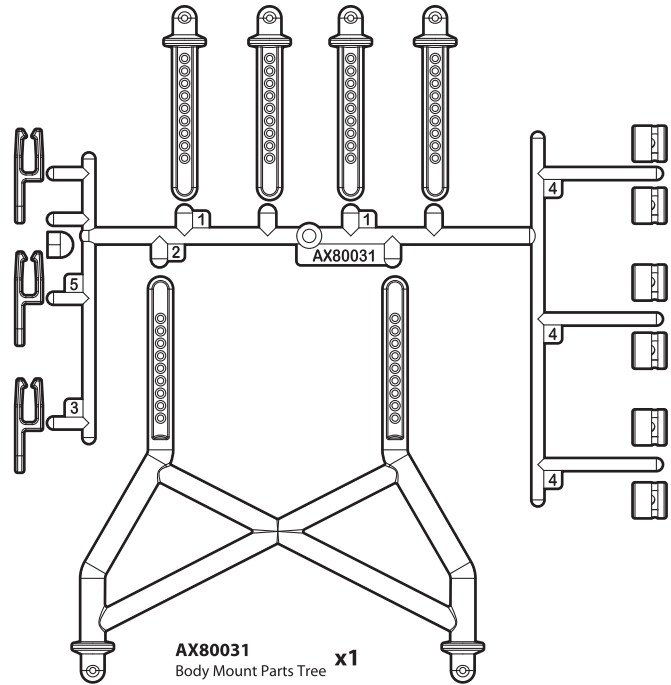
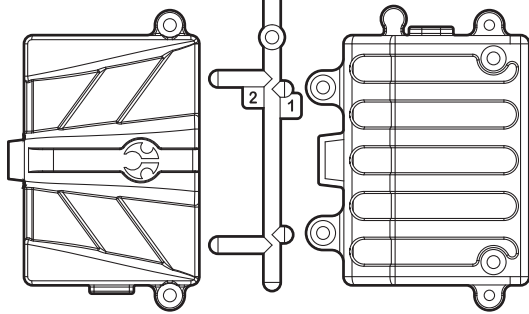
AX80027
SCX10 Battery Tray Holder **x1**



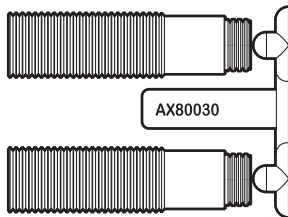
AX80029
Shock Cap Parts Tree **x4**



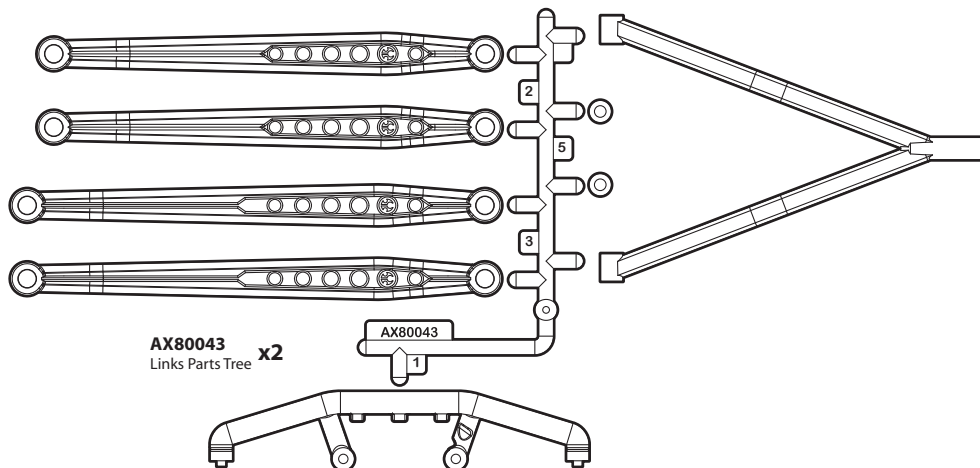
AX80028
SCX10 Radio Box Parts Tree **x1**



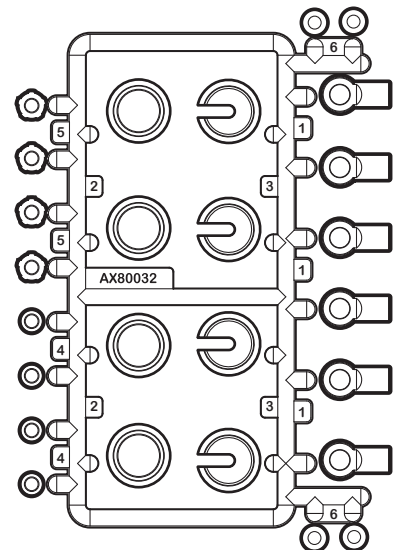
AX80031
Body Mount Parts Tree **x1**



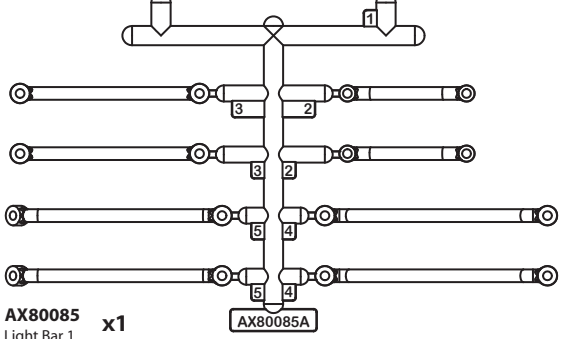
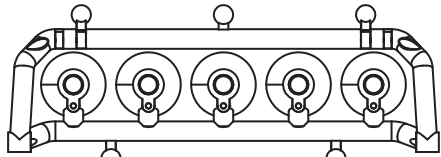
AX80030
61-90 Shock Body Set **x2**



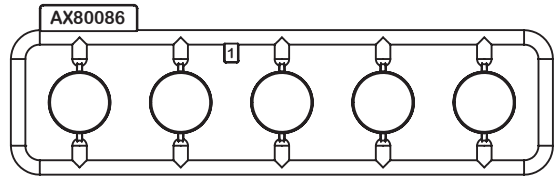
AX80043
Links Parts Tree **x2**



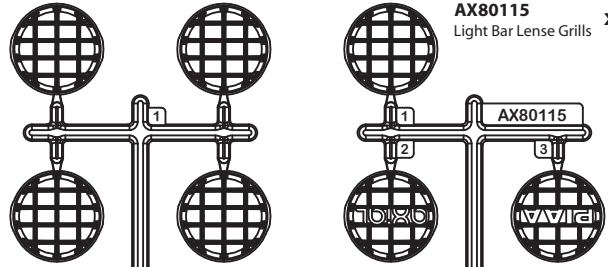
AX80032
Shock Parts **x1**



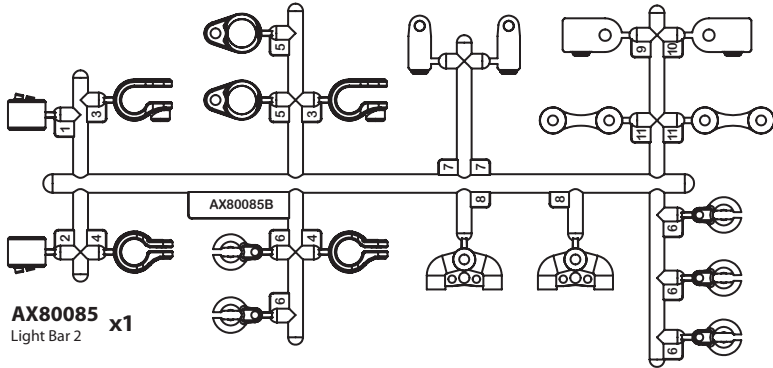
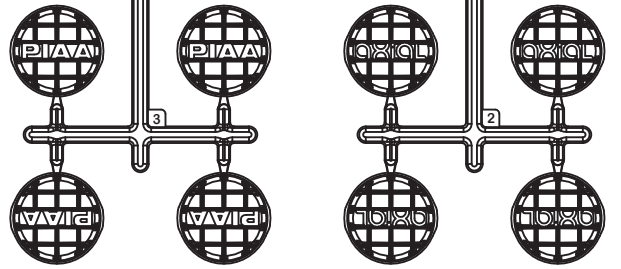
AX80085
Light Bar 1 **x1**



AX80086
Light Bar Lenses **x1**

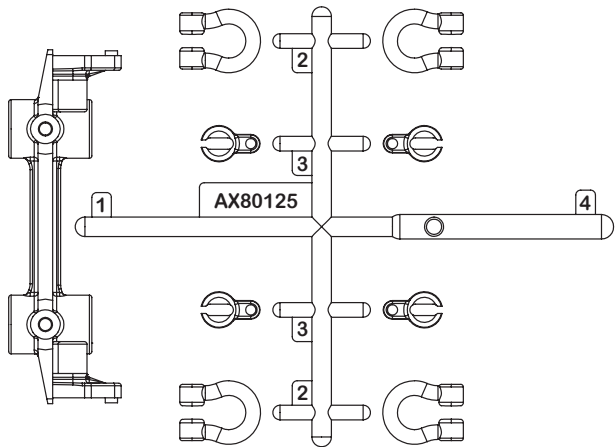
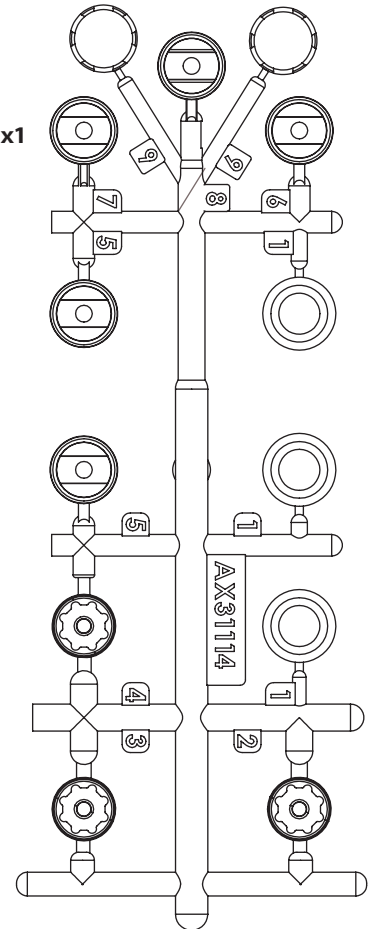


AX80115
Light Bar Lens Grills **x1**

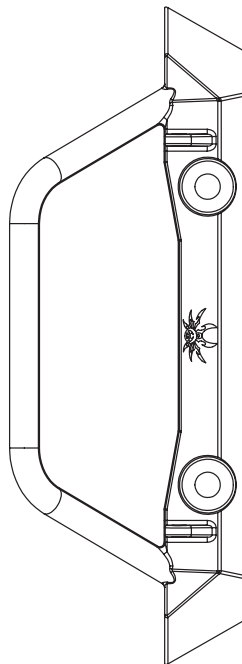


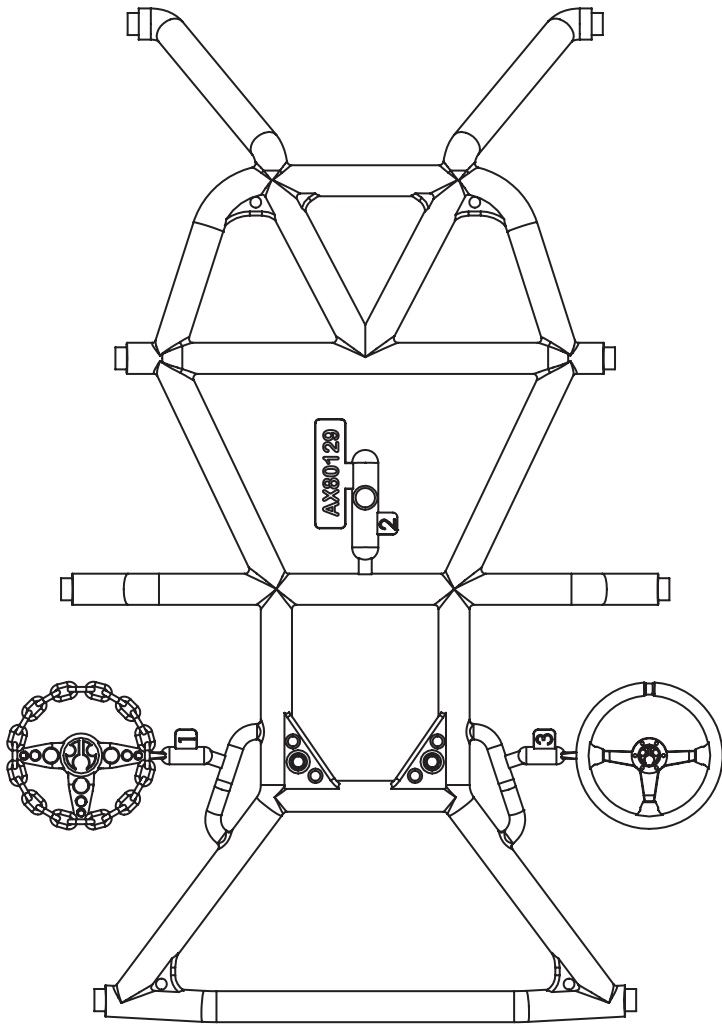
AX80085
Light Bar 2 **x1**

AX31114
WB8-HD Driveshaft **x1**

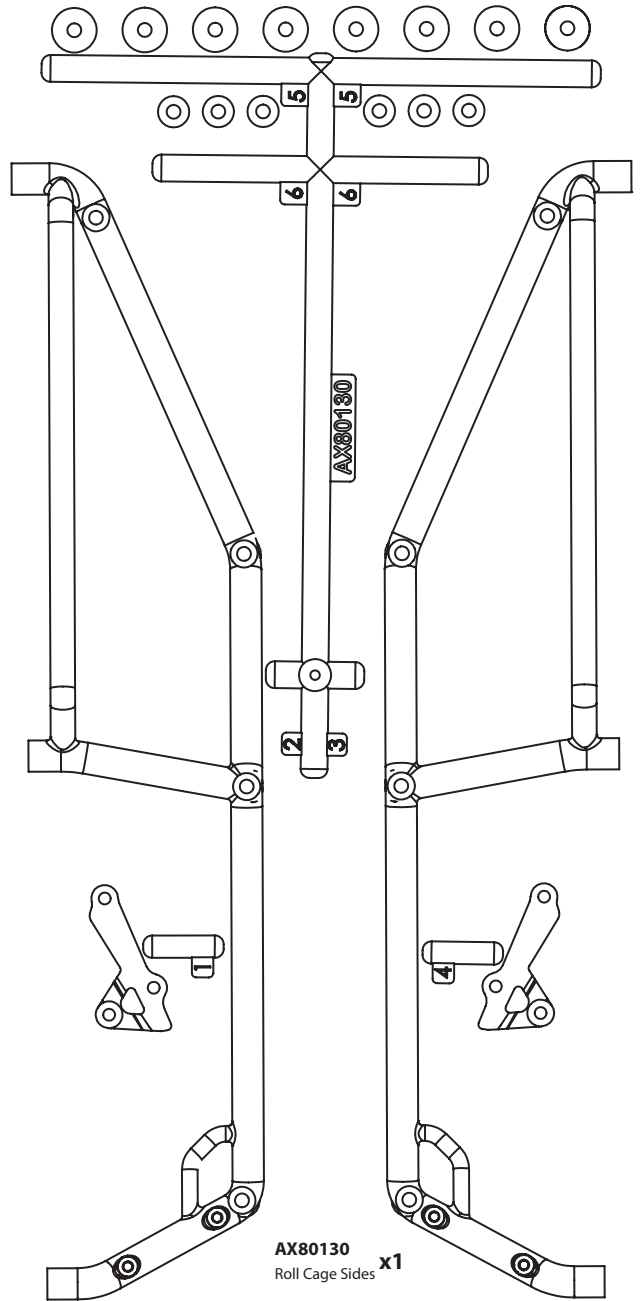


AX80125
Poison Spyder Front Bumper **x1**

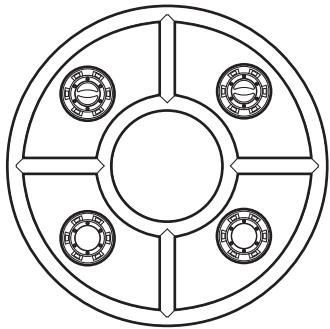




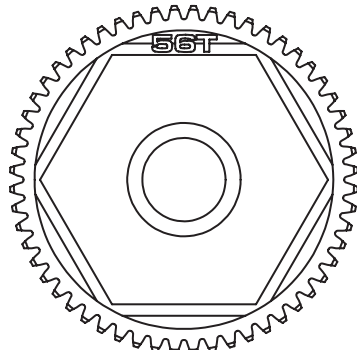
AX80129
Roll Cage Top **x1**



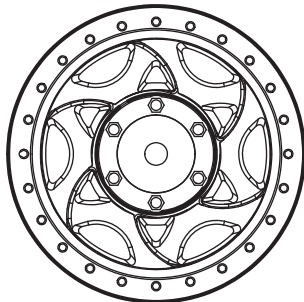
AX80130
Roll Cage Sides **x1**



AX8087
Wheel Cap **x1**



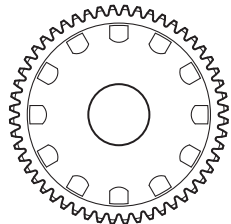
AX31027
56T 32P Spur gear **x4**



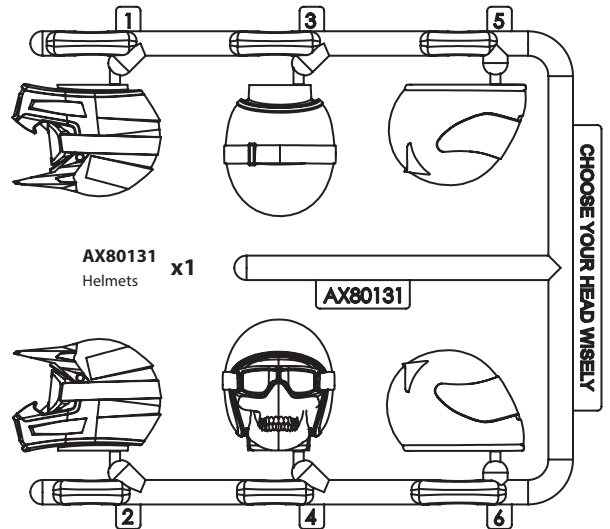
AX08138
1.9 Walker Evans Wheels - Black **x4**



AX31027
4x11mm bushing **x1**



AX80010
Gear Set **x1**



AX80131
Helmets **x1**

CHOOSE YOUR HEAD WISELY

AX30146 x4
Shock Shaft 3x50mm

AX30162 x1
Pin 1.5x8mm

AX30163 x6
Pin 2x10mm

AX31028 x4
Pin 2x11mm

AX30190 x1
Shaft 5x18

AX30435 x1
Outdrive Shaft

AX30435 x1
Outdrive Shaft

AX30408 x2
Input Shaft 5x29mm

AX31148 x4
Universal joint Axle Pin holder

AX30485 x1
AX10 Scorpion Servo Plate

AX30366 x2
Axle 5x35mm

AX31148 x4
Joint 10X15MM

AX31148 x4
Joint Male Universal

AX31149 x1
Drive gear Shaft 5x54.5mm

AX31145 x4
Spring 12.5x60mm X.X lbs/in

AX30483 x1
AX10 Scorpion Battery Tray

AX31026 x2
Slipper Plate

AX30413 x1
Spring 8.5x12

AX30427 x4
12mm Aluminum Hub

AX30420 x2
Solid Axle Dogbone 6x74mm

AX30421 x2
Solid Axle Dogbone 6x104.5mm

AX31068 x2
Slipper Pad

AX30385 x2
Diff Gasket 16x25x0.5mm

AX30392 x2
38T Bevel Gear

AX30450 x4
Flange Pipe 3x4.5x5.5

AX30499 x1
Transmission Spacer 5x6.9x4.8mm - Grey

AX30393 x2
13T Bevel Gear

AX30491 x1
AX10 Scorpion Motor Plate


AX30500 x2
Heavy Duty Locker

AX30394 x1
20T Drive Gear


AX30724 x1
Pinion Gear 32P 13T - Steel

AX30502 x2
SCX10 Chassis Rail

 **AXA013**
M2x6mm **x12**

 **AXA015**
M2x10mm **x8**

 **AXA083**
M3x6mm **x2**

 **AXA086**
M3x12mm **x4**

 **AXA087**
M3x16mm **x8**

 **AXA088**
M3x20mm **x1**


 **AXA089**
M3x25mm **x7**


 **AXA1045**
M4 Nylon Lock Nut **x5**


 **AXA1053**
M3 Nylon Locking Hex Nut **x15**


 **AXA1059**
6mm Body Clip **x8**


 **AXA1070**
Washer 3x6x0.5mm **x3**

 **AXA1179**
O-Ring 2.5x1.5mm **x8**


 **AXA1163**
O-Ring 7x1mm **x4**


 **AXA1218**
Bearing 5x10x4mm **x4**


 **AXA1221**
Bearing 5x11x4mm **x10**

 **AXA1225**
Bearing 8x16x5mm **x2**

 **AXA1230**
Bearing 10x15x4mm **x6**

 **AXA0109**
M3x10mm **x4**

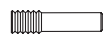
 **AX31073**
M3x4x15mm Step Screw **x2**

 **AXA1358**
Shock Damper 3x7x8 **x4**

 **AXA1417**
Shock Damper 5x6 **x1**

 **AXA1392**
E2 e-clip **x8**

 **AXA1393**
E2.5 e-clip **x2**

 **AXA176**
M3x2.5x13mm Screw Shaft **x2**

 **AXA286**
M4x12mm Screw Shaft **x4**


 **AXA180**
M3x3mm Set Screw **x4**

 **AXA291**
M4x4mm Set Screw **x1**


 **AXA0113**
M3x6mm Hex Socket Button Head **x7**

 **AXA117**
M3x15mm Hex Socket Button Head **x1**

 **AXA119**
M3x20mm Hex Socket Button Head **x4**


 **AXA121**
M3x30mm Hex Socket Button Head **x1**

 **AXA144**
M3x8mm Hex Socket Flat Head **x4**

 **AXA423**
M2.6x8mm Hex Socket Tapping Button Head **x4**

 **AXA424**
M2.6x10mm Hex Socket Tapping Button Head **x6**

 **AXA433**
M3x6mm Hex Socket Tapping Button Head **x8**

 **AXA434**
M3x8mm Hex Socket Tapping Button Head **x9**

 **AXA435**
M3x10mm Hex Socket Tapping Button Head **x4**

 **AXA436**
M3x12mm Hex Socket Tapping Button Head **x15**

 **AXA438**
M3x18mm Hex Socket Tapping Button Head **x4**

 **AXA440**
M3x25mm Hex Socket Tapping Button Head **x1**

 **AXA414**
M2.6x10mm Hex Socket Tapping Flat Head **x3**

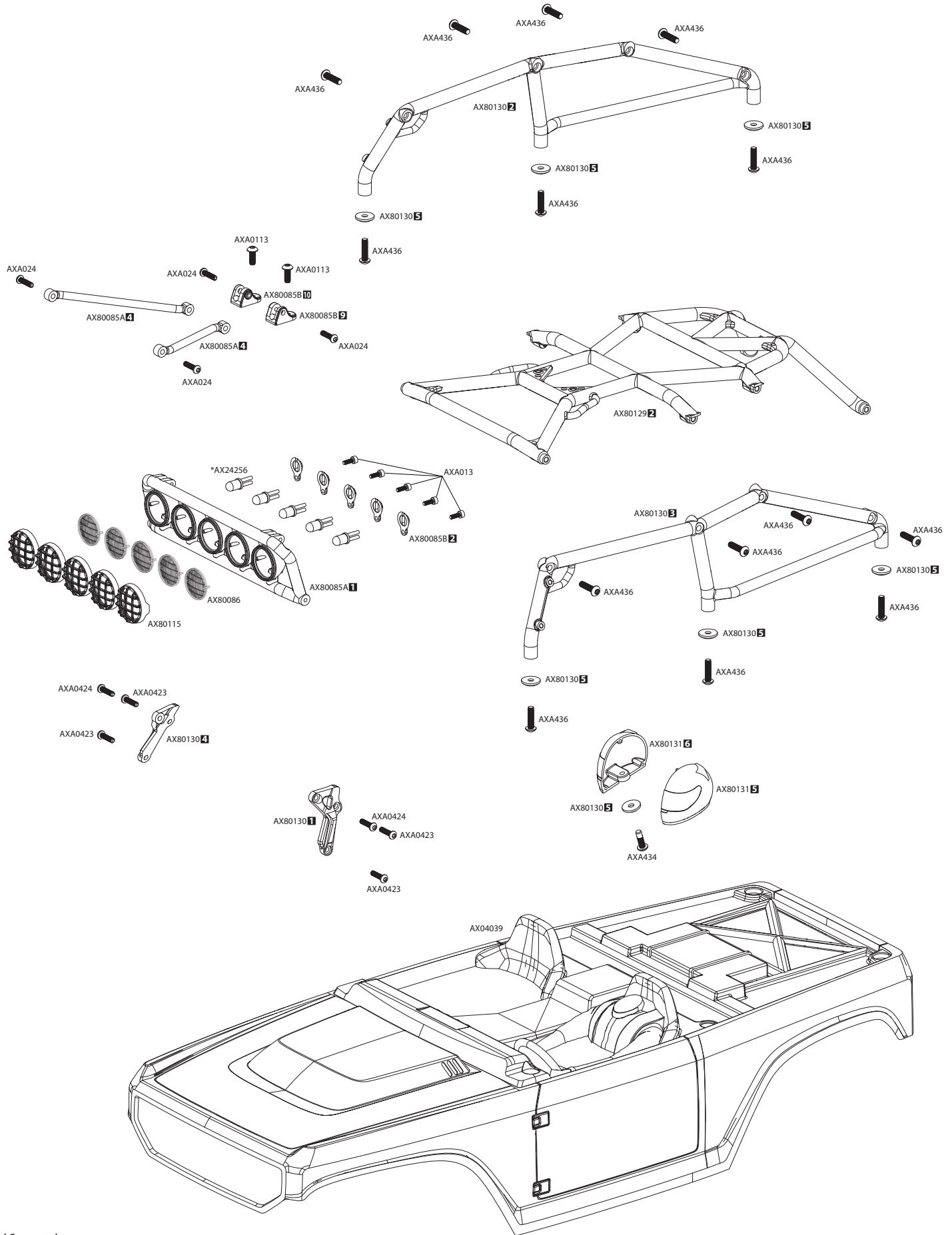
 **AXA463**
M3x6mm Hex Socket Tapping Flat Head **x3**

 **AXA464**
M3x8mm Hex Socket Tapping Flat Head **x14**

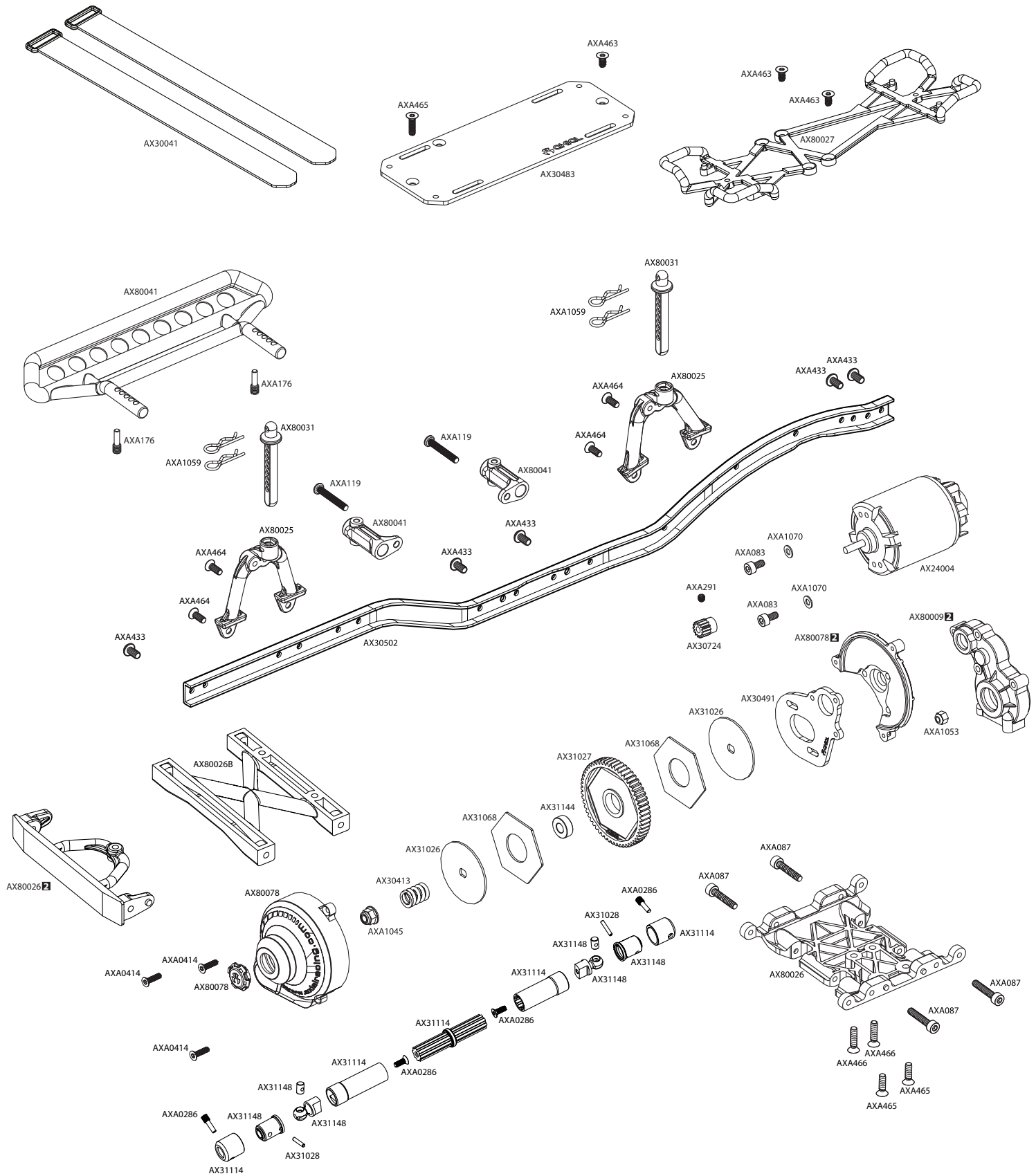
 **AXA465**
M3x10mm Hex Socket Tapping Flat Head **x4**

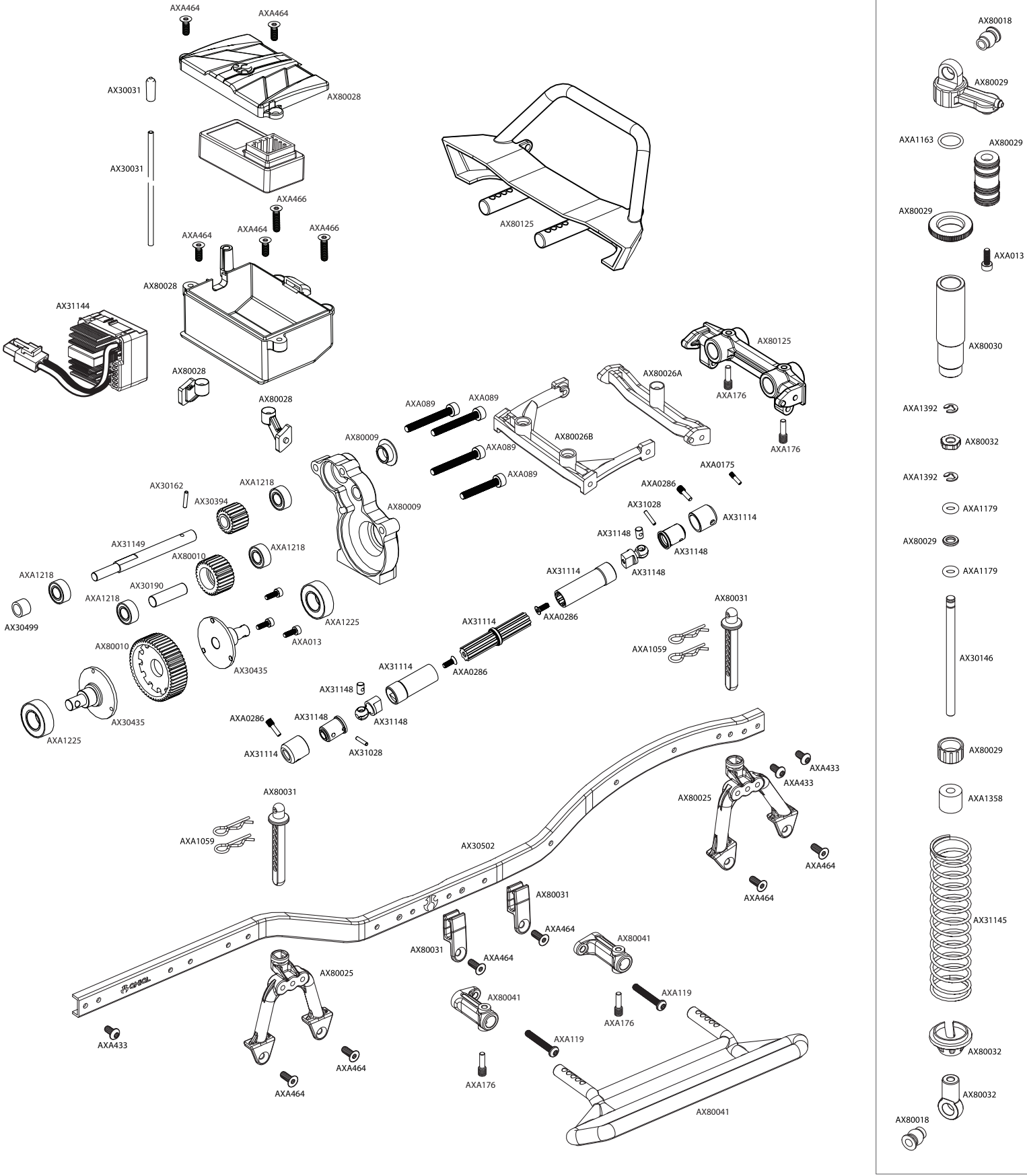
 **AXA466**
M3x12mm Hex Socket Tapping Flat Head **x6**

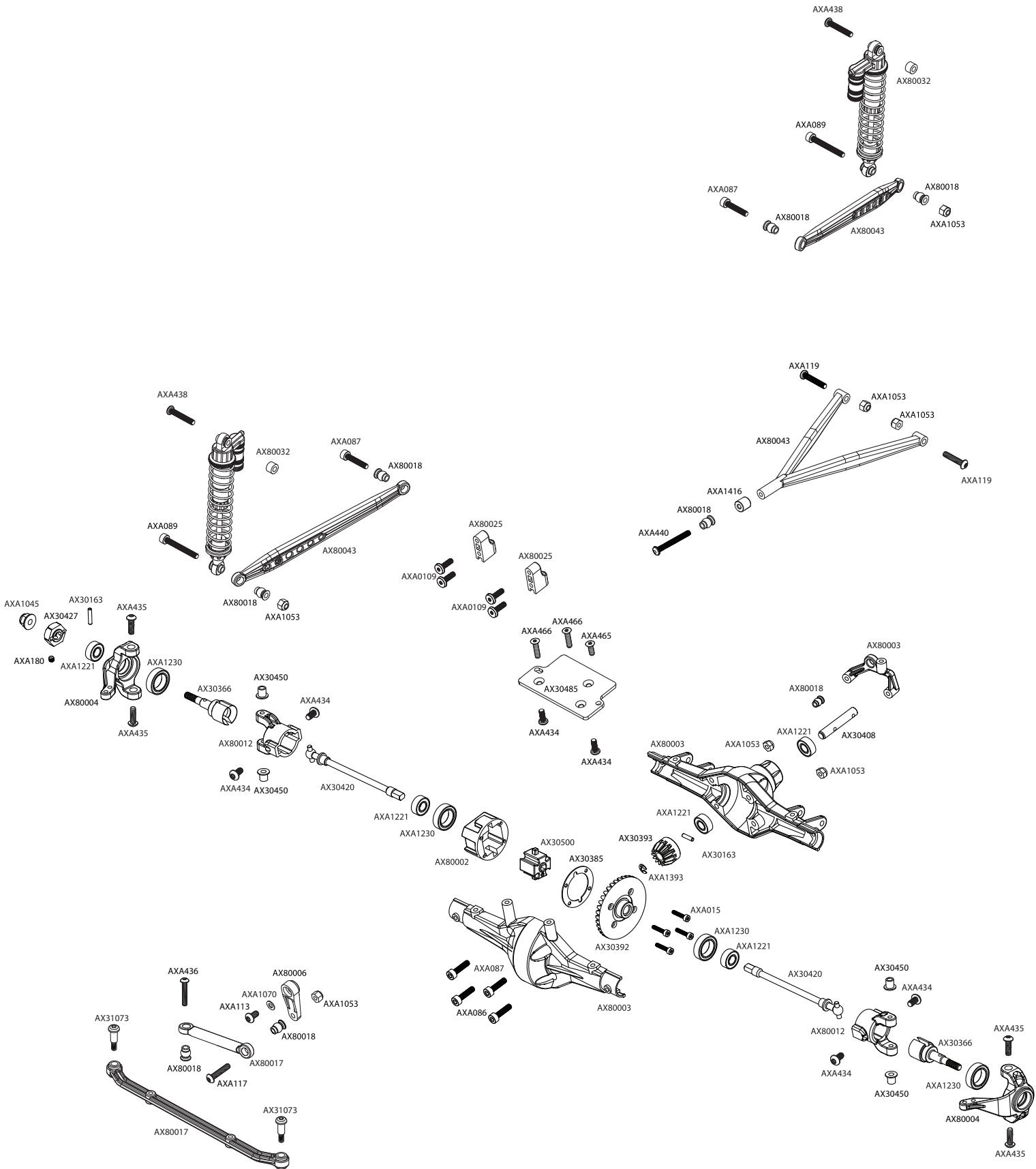
Body Assembly

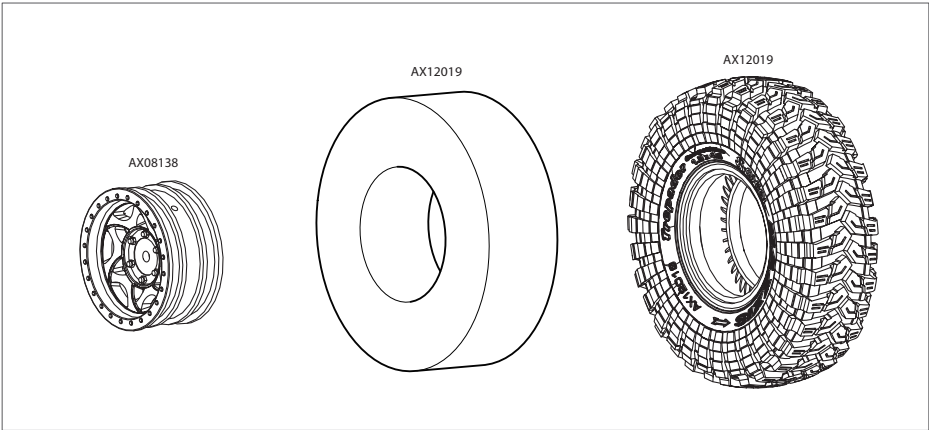
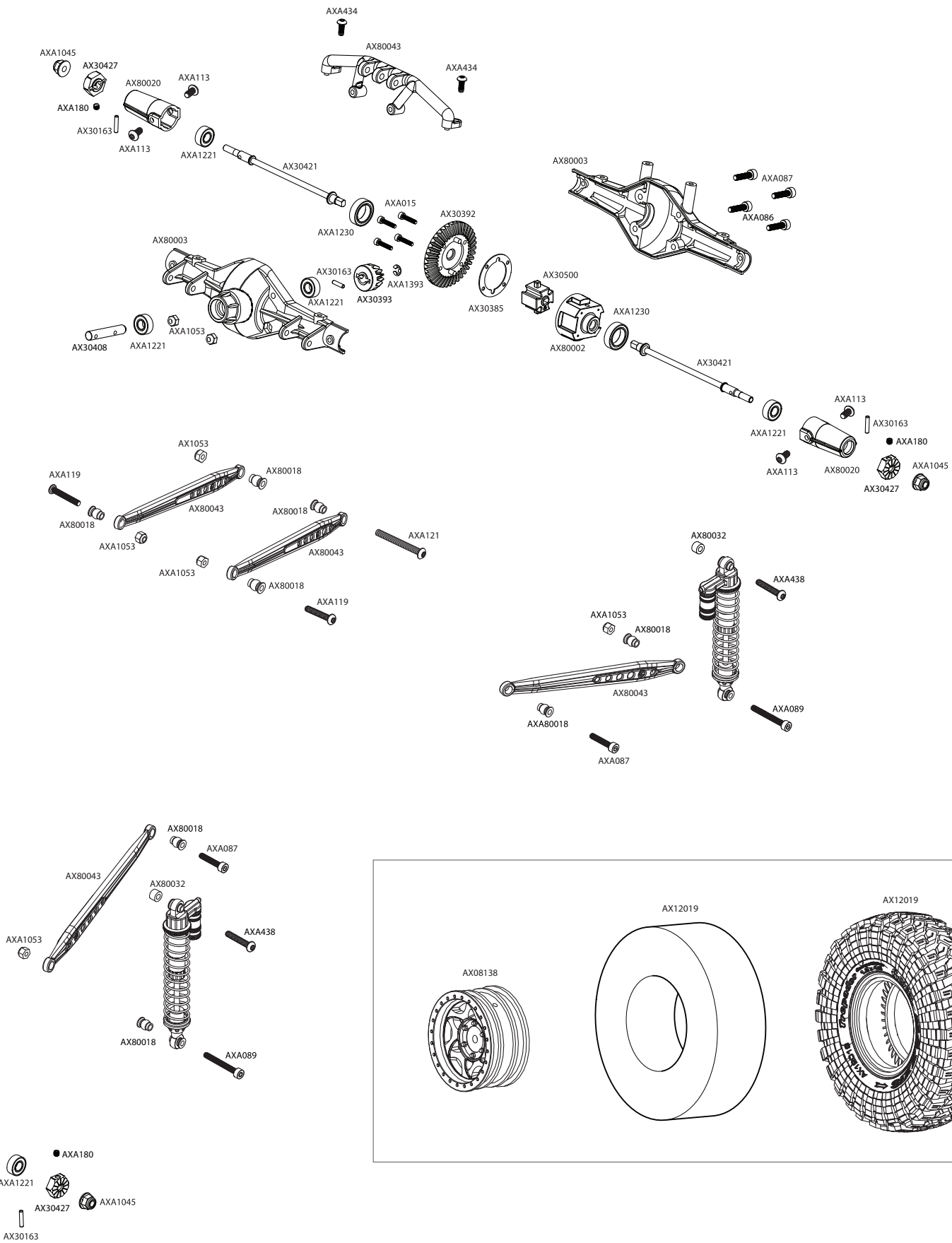


* Sold Separately









Parts List

Part #	Description	Part #	Description
AX04039	AX10 Deadbolt Body - .040" (Clear) - Body Only	AXA0286	Screw Shaft M4x2.5x12mm (6pcs)
AX08138	1.9 Walker Evans Street Wheel - Black (2pcs)	AXA0414	M2.6x10mm Hex Socket Tapping Flat Head (Black) (10pcs)
AX12019	1.9 Maxxis Trepador Tires - R35 Compound (2pcs)	AXA0424	M2.6x10mm Hex Socket Tapping Button Head (Black) (10pcs)
AX24004	Axial 27T Electric Motor	AXA083	M3x6mm Cap Head (Black) (10pcs)
AX24206	2.4GHz Radio System (2 Channel) (AX-3, AR-3)	AXA086	M3x12mm Cap Head (Black) (10 pcs)
AX30041	Velcro Strap 15x160mm	AXA087	M3x16mm Cap Head (Black) (10pcs)
AX30146	Shock Shaft 3x50 (2pcs)	AXA088	M3x20mm Cap Head (Black) (10pcs)
AX30162	Pin 1.5x8mm (6pcs.)	AXA089	M3x25mm Cap Head (Black) (10pcs)
AX30163	Pin 2.0x10mm (6pcs.)	AXA1045	M4 Nylon Lock Nut (Black) (10pcs)
AX30190	Shaft 5x18 (2pcs.)	AXA1053	M3 Nylon Locking Hex Nut (Black) (10pcs)
AX30366	Axle 5x35mm (2pcs.)	AXA1059	6mm Body clip (Black) (10pcs)
AX30385	Diff Gasket 16x25x0.5mm (2pcs)	AXA1070	Washer 3x6x0.5 (10pcs)
AX30392	Bevel Gear Set (38/13)	AXA1163	O-Ring 7x1mm (10pcs)
AX30394	20T Drive Gear	AXA117	M3x15mm Hex Socket Button Head (Black) (10pcs)
AX30408	Input Shaft 5x29mm (2pcs)	AXA1179	O-Ring 2.5x1.5mm (10pcs)
AX30413	Slipper spring 8.5x12 165 lbs/in - Black (2pcs)	AXA119	M3x20mm Hex Socket Button Head (Black) (10pcs)
AX30420	Solid Axle Dogbone 6x74mm (2pcs)	AXA121	M3x30mm Hex Socket Button Head (Black) (10pcs)
AX30421	Straight Axle 6x104.50mm (2pcs)	AXA1218	Bearing 5x10x4mm (2pcs)
AX30427	Axial Narrow 12mm Aluminum Hub - Black (4pcs)	AXA1221	Bearing 5x11x4mm (2pcs)
AX30435	Steel Outdrive Shaft Set (2pcs)	AXA1225	Bearing 8x16x5mm (2pcs)
AX30450	Flange Pipe 3x4.5x5.5 (4pcs)	AXA1230	Bearing 10x15x4mm
AX30483	AX10 Scorpion Radio Plate	AXA1358	Shock Damper 3x7x8 (10pcs)
AX30485	AX10 Scorpion Servo Plate	AXA1392	E2 e-clip (10pcs)
AX30491	AX10 RTR Motor Plate	AXA1393	E2.5 e-clip (10pcs)
AX30499	Transmission Spacer 5x6.9x4.8mm - Grey (2pcs)	AXA1417	5x6mm Spacer - Grey (6pcs)
AX30500	Heavy Duty Locker (2pcs)	AXA144	M3x8mm Hex Socket Flat Head (Black) (10pcs)
AX30502	SCX10 Chasis Rail Set (2pcs)	AXA176	Screw Shaft M3x2.5x12mm (10pcs)
AX30724	Pinion Gear 32P 13T (3mm shaft)	AXA180	M3x3mm Set Screw (Black) (10pcs)
AX31026	Slipper Plate Washer 33x5x1.5mm (2pcs)	AXA291	M4x4mm Set Screw (Black) (6pcs)
AX31027	Spur Gear 32P 56T	AXA433	M3x6mm Hex Socket Tapping Button Head - Black (10pcs)
AX31028	Pin 2.0x11mm (6pcs)	AXA434	M3x8mm Hex Socket Tapping Button Head (Black) (10pcs)
AX31068	Slipper Pad 32.8x15.2x1mm (2pcs)	AXA435	M3x10mm Hex Socket Tapping Button Head (Black) (10pcs)
AX31073	M3x4x15mm Hex Socket Button Head Shoulder Screw - Black (6pcs)	AXA436	M3x12mm Hex Socket Tapping Button Head (Black) (10pcs)
AX31114	WB8-HD Driveshaft	AXA438	M3x18mm Hex Socket Tapping Button Head (Black) (10pcs)
AX31144	AE-5 Waterproof Forward/Reverse ESC w/ Drag Brake	AXA440	M3x25mm Hex Socket Tapping Button Head (Black) (10pcs)
AX31145	Spring 12.5x60mm 2.63 lbs/in - Medium (Grey) (2pcs)	AXA463	M3x6mm Hex Socket Tapping Flat Head (Black) (10pcs)
AX31148	WB8-HD Driveshaft Coupler Set	AXA464	M3x8mm Hex Socket Tapping Flat Head (Black) (10pcs)
AX31149	Slipper Drive Gear Shaft 5x54.50mm	AXA465	M3x10mm Hex Socket Tapping Flat Head (Black) (10pcs)
AX80002	Diff Case -Small	AXA466	M3x12mm Hex Socket Tapping Flat Head (Black) (10pcs)
AX80003	Solid Axle Set	AXA471	M3x30mm Hex Socket Tapping Flat Head (Black) (10pcs)
AX80004	Hub Set		
AX80006	Servo Set		
AX80009	Transmission Set		
AX80010	Gear Set		
AX80012	C Hub Carrier Set		
AX80017	Steering Link Parts Tree		
AX80018	Hardware Parts Tree		
AX80020	Plastic Rear Axle Lock-out (2pcs)		
AX80025	SCX10 Shock Hoops Parts Tree		
AX80026	SCX10 Frame Brace Set		
AX80027	SCX10 Battery Tray Holder		
AX80028	SCX10 Radio Box Parts Tree		
AX80029	Shock Cap Parts Tree		
AX80030	61-90 Schock Body Set		
AX80031	Body Mount Parts Tree		
AX80032	Shock Parts		
AX80041	1/10th Scale Rock Rails Set (2pcs)		
AX80043	SCX10 RTR Links Parts Tree		
AX80078	Transmission Spur Gear Cover		
AX80085	Universal Mount 5 Bucket Light Bar (Black)		
AX80086	Light Bar Lenses (Clear) (5pcs)		
AX80115	Light Bar Lens Grills (Axial, PIAA, Un-Marked)		
AX80125	SCX10 Poison Spyder JK Brawler Lite Front Bumper		
AX80129	Roll Cage Top		
AX80130	Roll Cage Sides		
AX80131	Helmet Set		
AX8079	Axial Hub Cover Set - Black (4pcs)		
AXA0109	M3x10mm Oversized Flat Hex Socket (Black) (10pcs)		
AXA0113	M3x6mm Hex Socket Button Head (Black) (10pcs)		
AXA013	M2x6 mm Cap Head (Black) (10pcs)		
AXA015	M2x10mm Cap Head (Black) (10pcs)		

Option Parts

AX04032	AX10 Ridgecrest Body - .040" (Clear)
AX04033	2012 Jeep Wrangler Unlimited Rubicon™ Body - .040" (Clear) - Body Only
AX04034	2012 Jeep Wrangler Unlimited Rubicon™ Roof - .040" (Clear)
AX04035	2012 Jeep Wrangler Unlimited Rubicon™ Body - .040" (Clear) - Complete
AX04038	Jeep® Wrangler Rock Racer Body - .040" (Clear) - Body Only
AX12016	1.9 Ripsaw Tires - R35 Compound (2pcs)
AX24003	20T Electric Motor
AX24007	Axial 55T Electric Motor
AX24010	Brushless 2900KV Electric Motor
AX24251	Axial NVS - Night Visions System
AX24252	Axial Double LED Light String (White LED)
AX24253	Axial Double LED Light String (Red LED)
AX24254	Axial Double LED Light String (Orange LED)
AX24255	Axial Single LED Light String (White LED)
AX24256	Axial 5 LED Light String (White LED)
AX24257	Simple LED Controller w/LED lights (4 white and 2 Red)
AX24258	4 LED Light String (White LED)
AX24259	Axial AE-2 Forward/Reverse ESC w/ Drag Brake
AX24260	AE-3 Vanguard ESC
AX30031	Antenna
AX30090	Axial 61-90mm Aluminum Shock Set - 7mm Piston (2pcs)
AX30103	Icon 61-90mm Aluminum Shock Set - 7mm piston (2pcs)
AX30114	Axial Hard Anodized Aluminum Shock Reservoir (2pcs)
AX30115	Axial Hard Anodized Aluminum Pre-load collar (2pcs)
AX30117	Axial Hard Anodized Aluminum Shock Body 10x38mm (2pcs)
AX30130	Icon Clear Anodized Aluminum Shock Body 10x38mm (2pcs)

Option Parts

Part #	Description	Part #	Description
AX30131	Icon Clear Anodized Aluminum Shock Reservoir (2pcs)	AX4010	Axial Dingo Truck Body - .040" uncut (Clear)
AX30132	Machined Shock Piston 7mm - 1.5x3 (4pcs)	AX4010R	Axial Dingo Truck Body - .040" uncut (Clear) - Body Only
AX30200	Spring 12.5x20mm 3.6 lbs/in - Super Soft (Red) - (2pcs)	AX4025	Axial Trail Honcho Truck Body - .040" uncut (Clear) w/Molded Rear Cage
AX30201	Spring 12.5x20mm 4.32 lbs/in - Soft (White) - (2pcs)	AX4025R	Axial Trail Honcho Truck Body - .040" uncut (Clear) - Body Only
AX30202	Spring 12.5x20mm 5.44 lbs/in - Medium (Green) - (2pcs)	AX80037	Interior Details Parts Tree - Black
AX30203	Spring 12.5x20mm 6.53 lbs/in - Firm (Yellow) - (2pcs)	AX80038	Exterior Detail Parts Tree - Black
AX30204	Spring 12.5x20mm 7.95 lbs/in - Super Firm (Blue) - (2pcs)	AX80039A	1/10th Scale Front Plate Bumper Set
AX30205	Spring 12.5x40mm 2.7 lbs/in - Super Soft (Red) - (2pcs)	AX80039B	1/10th Scale Rear Plate Bumper Set
AX30206	Spring 12.5x40mm 3.6 lbs/in - Soft (White) - (2pcs)	AX80040	1/10th Scale Fender Flare Set (2pcs)
AX30207	Spring 12.5x40mm 4.08 lbs/in - Medium (Green) - (2pcs)	AX80044	Axial SCX10 Tube Bumper Parts Tree
AX30208	Spring 12.5x40mm 5.44 lbs/in - Firm (Yellow) - (2pcs)	AX80045	Axial Light Bucket Set (Black)
AX30209	Spring 12.5x40mm 6.81 lbs/in - Super Firm (Blue) - (2pcs)	AX80047	Interior Details Parts Tree - Chrome
AX30395	Heavy Duty Bevel Gear Set - 38T/13T	AX80048	Exterior Detail Parts Tree - Chrome
AX30401	Heavy Duty Bevel Gear Set - 36T/14T	AX80049	Axial LED Lens Set - Yellow/Clear (4pcs)
AX30402	Heavy Duty Bevel Gear Set - 43T/13T	AX80051	Dig Transmission Case
AX30426	Steering Upgrade Kit	AX80068	Dig Linkage Set
AX30437	Dig Lockout Shaft	AX80126	SCX10 Poison Spyder JK RockBrawler Rear Bumper and Tire Carrier
AX30484	Transmission Spacer	AX8080	Axial Hub Cover Set - Satin Chrome (4pcs)
AX30487	AX10 Locked Transmission Set	AX8087	Axial 1.9 8 Hole Beadlocks - Black (2pcs)
AX30488	AX10 Locked Axle Set	AX8088	Axial 1.9 8 Hole Beadlocks - Satin Chrome (2pcs)
AX30489	Transmission Spacer 5x6.9x4.8mm	AX8122	Axial 1.9 Beadlock Ring - Grey (2pcs)
AX30494	Aluminum Rear Axle Lockout (2pcs)	AX8127	Axial 1.9 Rock Beadlock Ring - Grey (2pcs)
AX30495	Aluminum C Hub Carrier - Black (2pcs)	AXA1046	M4 Serrated Nylon Lock Nut (Blue) (4pcs)
AX30496	Aluminum Knuckle - Black (2pcs)	AXA1076	Cap Head Washer M3x10mm (4pcs)
AX30498	Transmission Spacer - Grey	AXA1101	Cone Washer 3x6.9x2mm (6pcs)
AX30516	Threaded Aluminum Pipe 6x106mm - Grey (2 pcs.)	AXA1104	Cone Washer 3x6.9x2mm - Orange (6pcs)
AX30517	Threaded Aluminum Pipe 6x33mm - Grey (2pcs.)	AXA1105	Cone Washer 3x6.9x2mm - Grey (6pcs)
AX30518	Threaded Aluminum Pipe 6x98mm - Grey (2pcs.)	AXA1331	Flanged Ball 3x5.8x7mm (6pcs)
AX30547	1.9 Internal Wheel Weight Ring 43g/1.5oz (2pcs)	AXA1412	0.5x6mm Spacer - Grey (6pcs)
AX30548	1.9 Internal Wheel Weight Insert 9g/0.33oz (4pcs) (for use with	AXA1413	1x6mm Spacer - Grey (6pcs)
AX30549	SCX10 TR Links Set - 11.4" (290mm) WB	AXA1414	2x6mm Spacer - Grey (6pcs)
AX30550	SCX10 TR Links Set - 12.3" (313mm) WB	AXA1415	3x6mm Spacer - Grey (6pcs)
AX30569	Pinion 48P 14T - Steel	AXA1416	4x6mm Spacer - Grey (6pcs)
AX30571	Pinion 48P 13T - Steel	AXA1418	6x6mm Spacer - Grey (6pcs)
AX30572	Pinion 48DP 14T	AXA1419	7x10mm Post - Grey (2pcs)
AX30573	Pinion 48P 15T - Steel	AXA1420	7x15mm Post - Grey (2pcs)
AX30578	Pinion 48DP 20T	AXA1421	7x20mm Post - Grey (2pcs)
AX30665	Spur 48DP 80T	AXA1422	7x25mm Post - Grey (2pcs)
AX30672	Spurs 48DP 87T	AXA1423	7x30mm Post - Grey (2pcs)
AX30708	AX10 Locked Transmission - Complete Metal Gear Set - Steel (3pcs)	AXA1424	7x35mm Post - Grey (2pcs)
AX30709	Universal 5 Bucket Light Bar Set	AXA1425	7x40mm Post - Grey (2pcs)
AX30793	Dig Component Set	AXA1426	7x45mm Post - Grey (2pcs)
AX30794	WB8 Driveshaft Set (2pcs)	AXA1427	7x50mm Post - Grey (2pcs)
AX30834	Aluminum Servo Horn 23T	AXA1428	7x55mm Post - Grey (2pcs)
AX30835	Aluminum Servo Horn 24T	AXA1429	7x60mm Post - Grey (2pcs)
AX30836	Aluminum Servo Horn 25T	AXA1430	7x65mm Post - Grey (2pcs)
AX30860	Machined Motor Plate (Hard Anodized)	AXA1431	7x70mm Post - Grey (2pcs)

NOTES

DON'T SETTLE FOR *NORMAL BEHAVIOR*

©2013 Axial R/C, Inc. A subsidiary of Hobbico, Inc. All Rights Reserved.



READY TO RUN

**AX10™ DEADBOLT™ 1/10th SCALE
ELECTRIC 4WD #AX90033**

OFFICIALLY LICENSED TECHNICAL PARTNERS:



www.axialracing.com

SCX10

THE OFFICIAL TRUCK OF THE R.E.C.O.N. G6 CHALLENGE™



AWCC 2011



SCX10™ FEATURES:

- > SCALE LOOKS WITH METAL TO MATCH!!!
- > TRUE STEEL C-CHANNEL FRAME
- > SOLID AXLE DESIGN WITH HARDENED STEEL INNER AXLES FRONT AND BACK
- > TRUE RING AND PINTON MECHANICAL DIFFERENTIALS
- > COIL OVER SHOCKS
- > STRONG 4X4 TRANSMISSION / TRANSFER CASE ALL-IN-ONE
- > FULL METAL BEARINGS IN AXLES AND TRANSMISSION - RUBBER SEALED FOR MAXIMUM PROTECTION

If you are looking for adventure, the RECON G6 Challenge™ is where it's at. RECON G6 Challenge™ events deliver excitement and push boundaries; always bringing the elements of what a real adventure should deliver - the unknown!

The coolest thing about participating in the G6 Challenge™ is that it is not about the podium, it's all about the finish. It's about the massive amount of drive time and persevering to survive the unknown-uncatched; and then sharing stories at the end of the day - "How in the heck did you clear TM-24 on the 100-course?" "Did you see that Bender-6X walk-it-!" "Did you get passed by the Swanson Swagger!?"

For adventure G6'ers, the rougher and less traveled, the better! It is the adventure of a lifetime for man and scale machine against the elements. The G6 is about battling the course with your comrades, work as an individual or help your fellow G6'ers to overcome the obstacles; survival is the name of the game!

In an adventure, chasing the unknown requires confidence. Confidence = reliability = SCX10™. The Axial SCX10™ - the official truck of the RECON G6 Challenge™!

Visit our blog and start the adventure!



THE SCX10™ MODEL RANGE:



AX90021
DINGO™
KIT (UNASSEMBLED)



AX90022
TRAIL HONCHO™
RTR (READY-TO-RUN)



AX90027
JEEP WRANGLER
UNLIMITED RUBICON
KIT (UNASSEMBLED)



AX90028
JEEP WRANGLER
UNLIMITED RUBICON
RTR (READY-TO-RUN)

© 2013 Axial R/C Inc. A subsidiary of Hobbico, Inc.
Jeep and the Jeep grille are registered trademarks of Chrysler Group LLC and are used under license. ©2013 Chrysler Group LLC.



www.axialracing.com

OFFICIALLY LICENSED TECHNICAL PARTNERS:

MAXXIS®

SPARCO®

PIAA



POISON SPYDER
C U S T O M S



EXPLORE

facebook.com/axialinc | twitter.com/axialrc | youtube.com/axialvideos | flickr.com/axialrc



8 GOODYEAR
SUITE 125
IRVINE, CA 92618

AX90044-1001

www.axialracing.com