

M5 CROSS

Racing
ANDERSON

125 EP MOTOCROSS



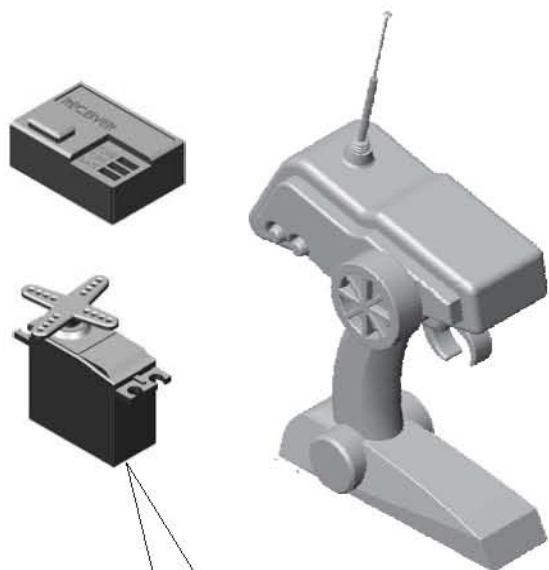
ASSEMBLY INSTRUCTION

PAT.P.

TW.PAT.NO.M351732
TW.PAT.NO.M351733
TW.PAT.NO.M360721
CN.PAT.NO.200820138056.3
CN.PAT.NO.200820138058.2

Required For Operation

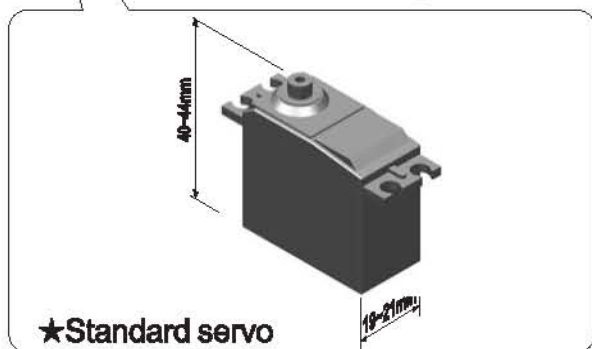
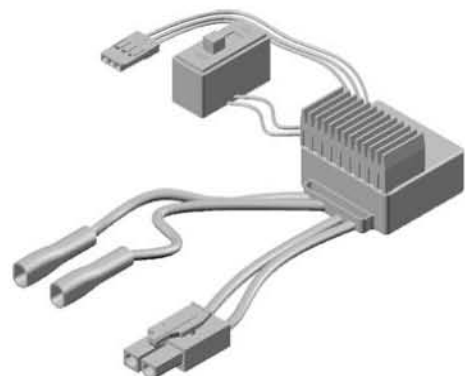
★Radio Control Set-2Channel



★AA-Size Batteries 8Pcs. for Transmitter



★Electronic Speed Control



★Standard servo

★7.2V NI-MH Battery Pack



Tools Required

★Instant Glue



★OIL / Grease



★Long Nose Pliers



★Modeling Knife



★Small Scissors



★Scissors



★3.0mm Allen Wrench



★2.5mm Allen Wrench



★2mm Allen Wrench



★1.5mm Allen Wrench



★7mm Nut Driver



★5.5mm Nut Driver



★4.5mm Nut Driver

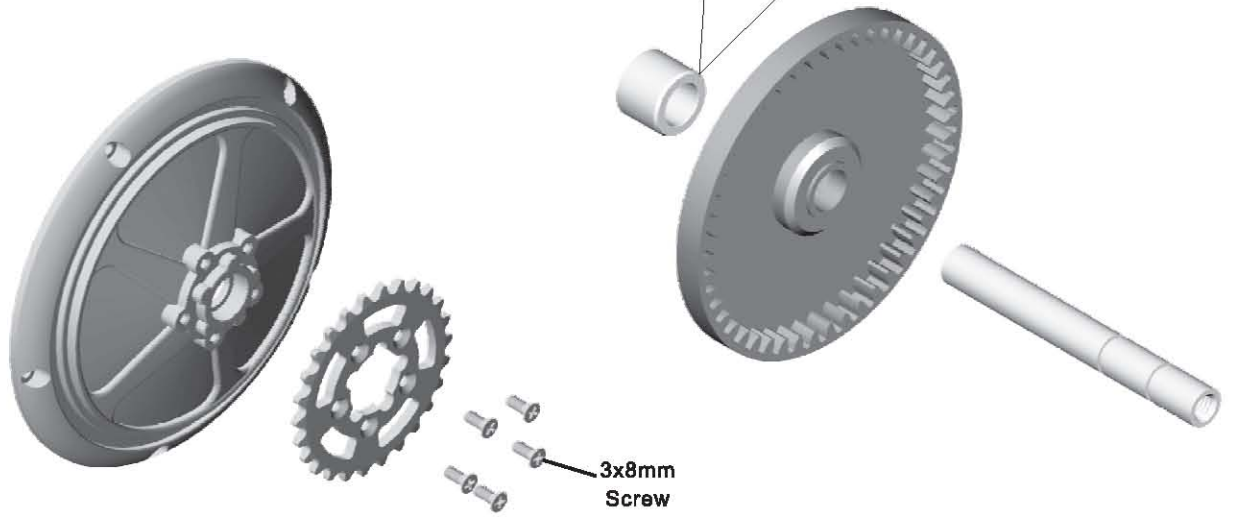


★Phillips Screwdriver (L,M)



01

Note: Marks face inside.



02

6x13mm Ball Bearing



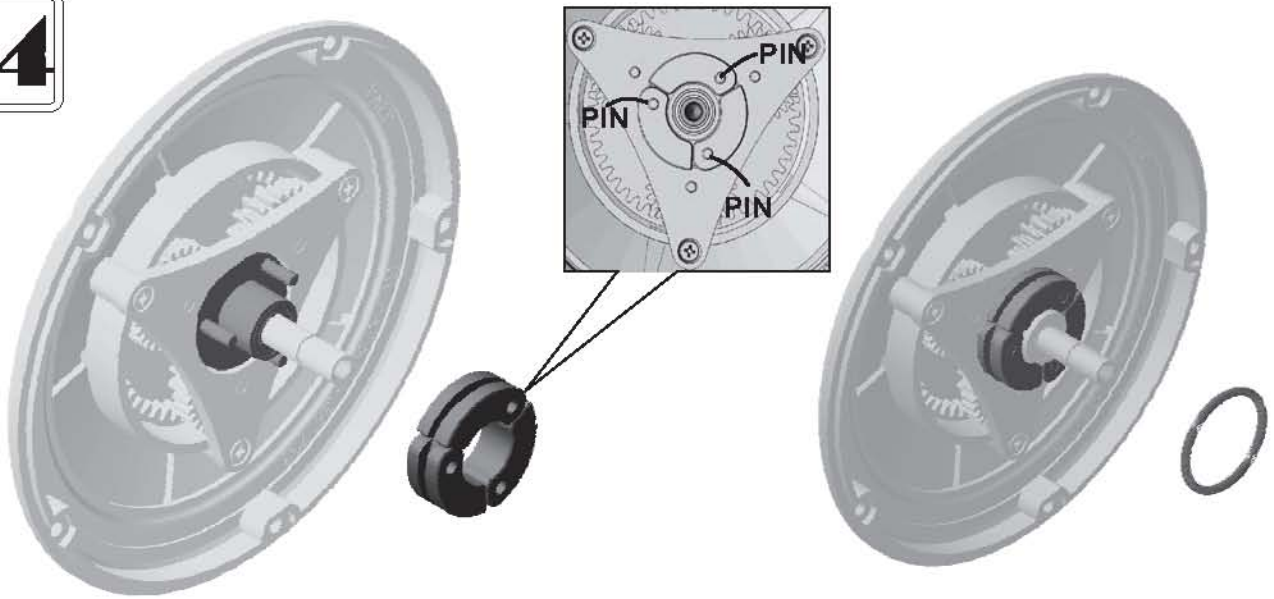
03

5mm E Clip

6x10mm Ball Bearing

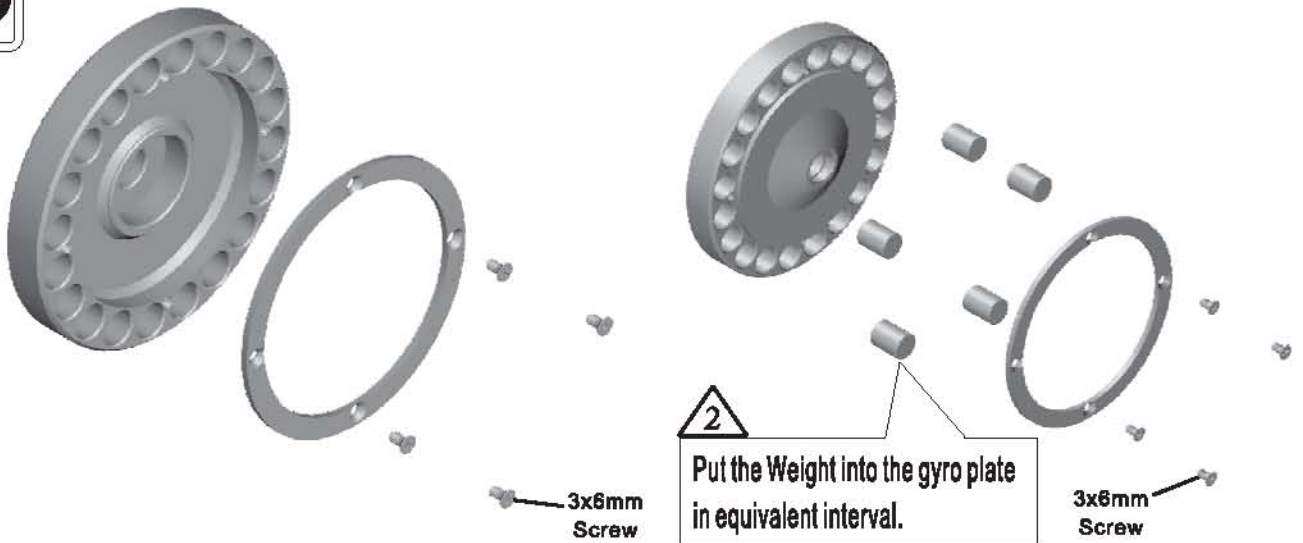
This diagram shows the final assembly step. A 6x10mm ball bearing is placed on the shaft. A 5mm E-clip is used to secure the gear housing to the shaft.

04

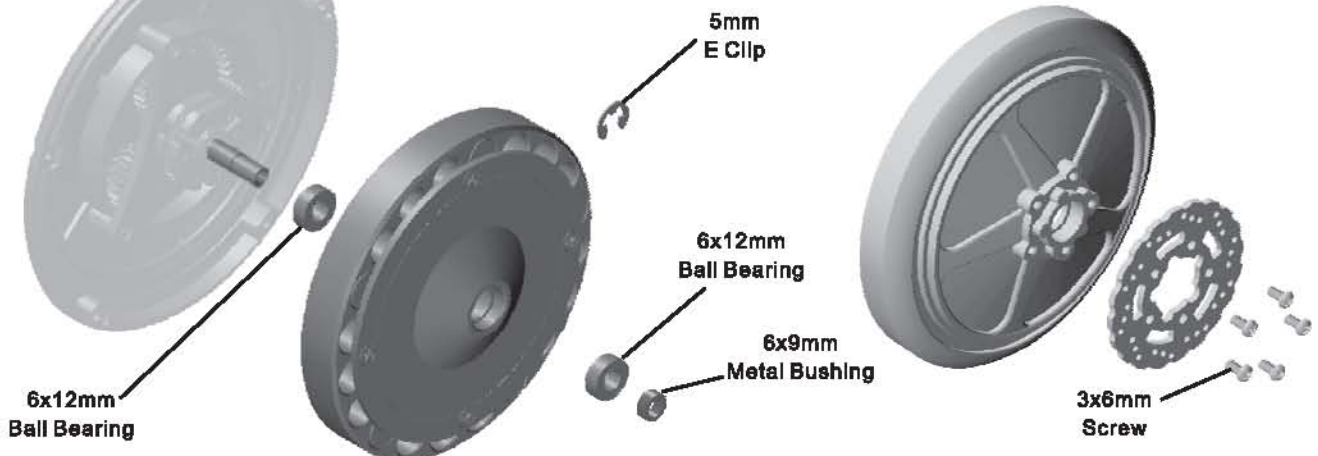


05

⚠ Gyro weights must always be balanced.



06



07

6x13mm
Ball Bearing

3x8mm
Screw

08

5mm
E Clip

6x13mm
Ball Bearing

4x4mm
Screw

6x13mm
Ball Bearing

09

4x16mm
Screw
4x10mm
Washer

5mm
E Clip

6x13mm
Ball Bearing

3x6mm
Screw

3x8mm
Washer

4x10mm
Washer

4x16mm
Screw

Note : Make sure the left and
right are set the same.

5mm
E Clip

3x8mm
Washer

3x6mm
Screw

6x13mm
Ball Bearing

1

0.5

0



Note : Make sure the left and right
chain adjustment are set the same.

10

P2 O-ring

4mm
E Clip

5x10mm
Ball Bearing

4mm
E Clip

11

M3
Screw Nut

3x6mm
Screw

3x6mm
Screw

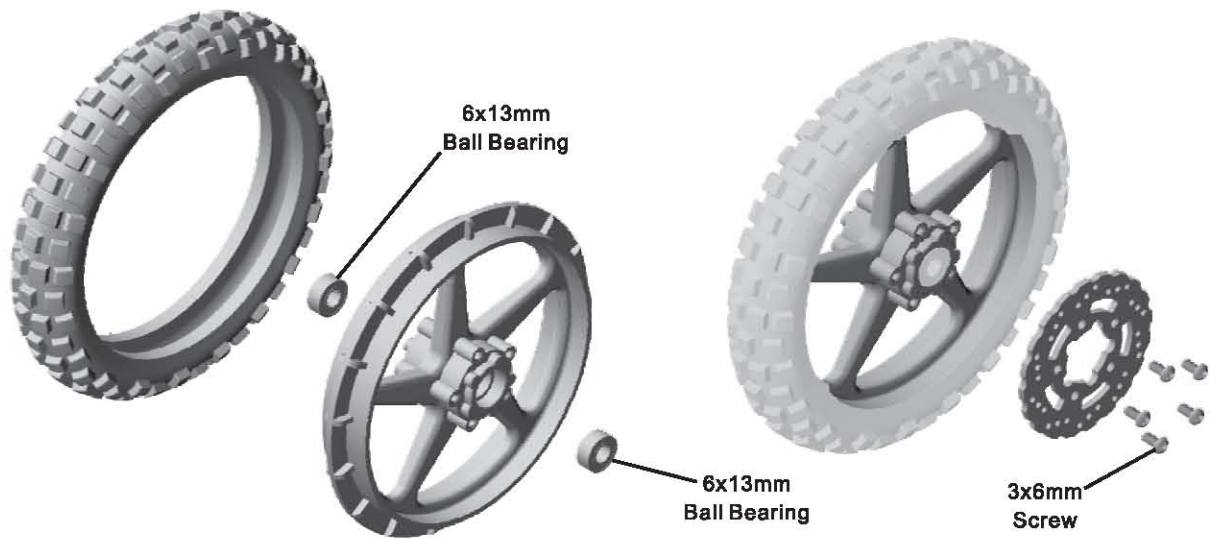
12

3x12mm
Screw

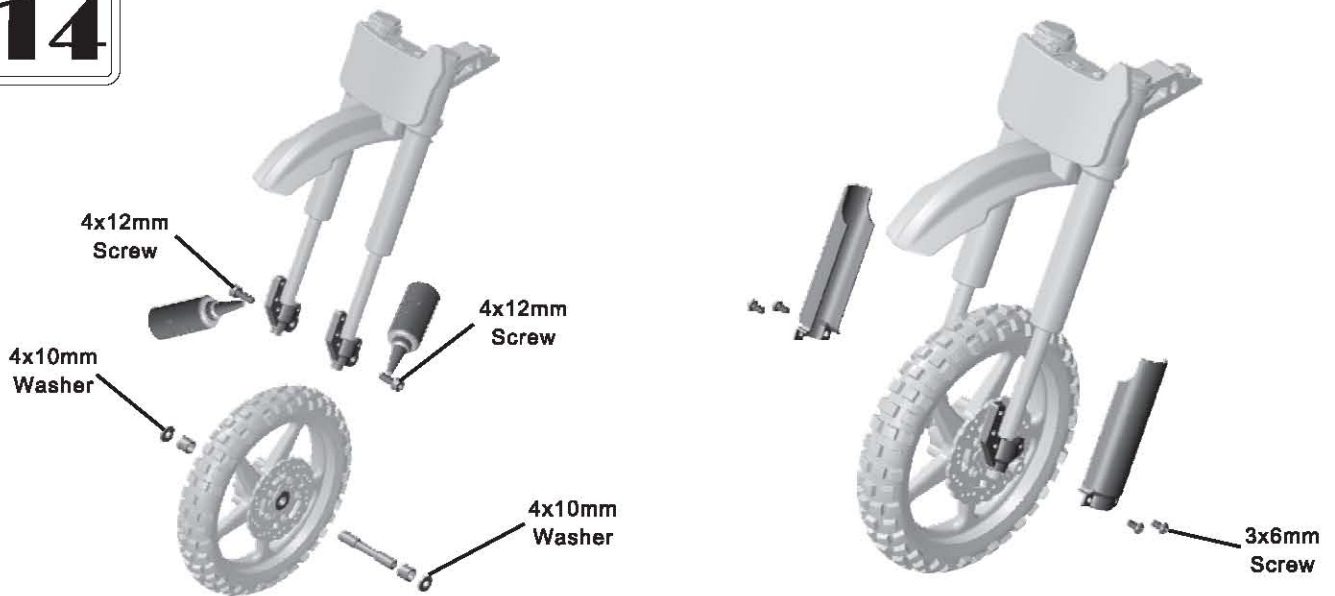
P8 O-ring

4x12mm
Screw

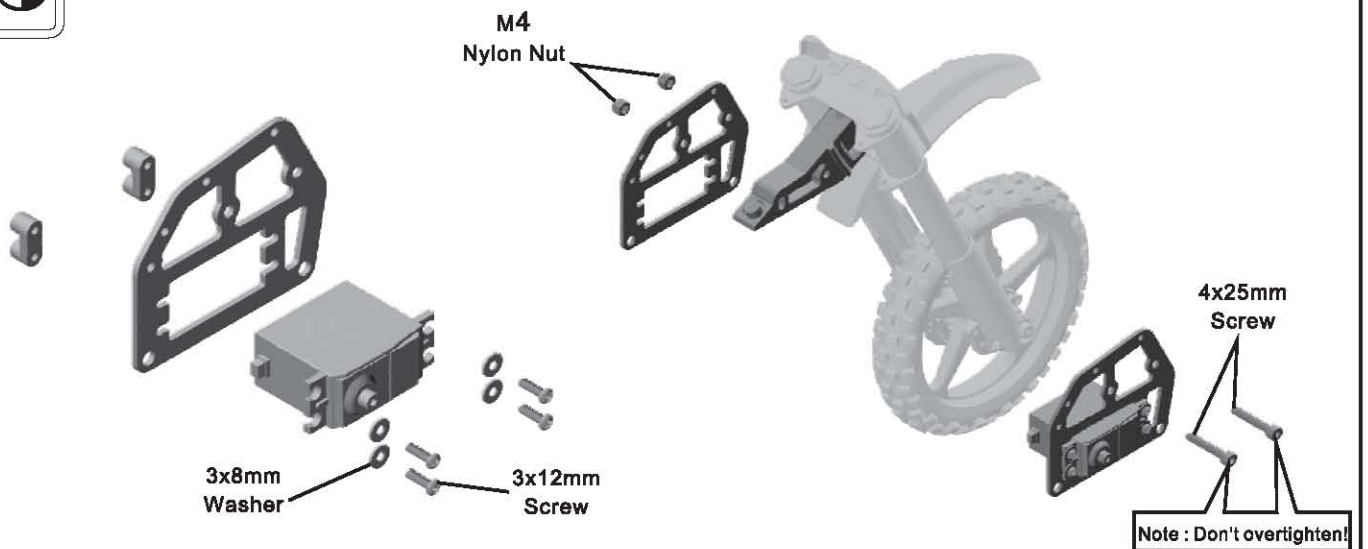
13



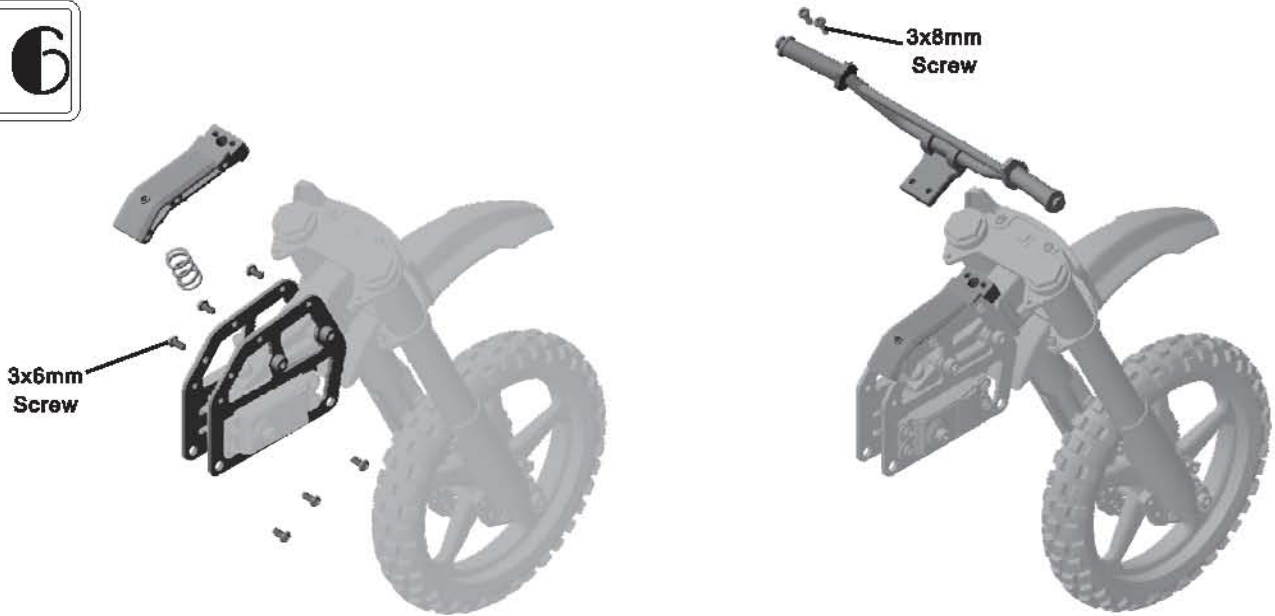
14



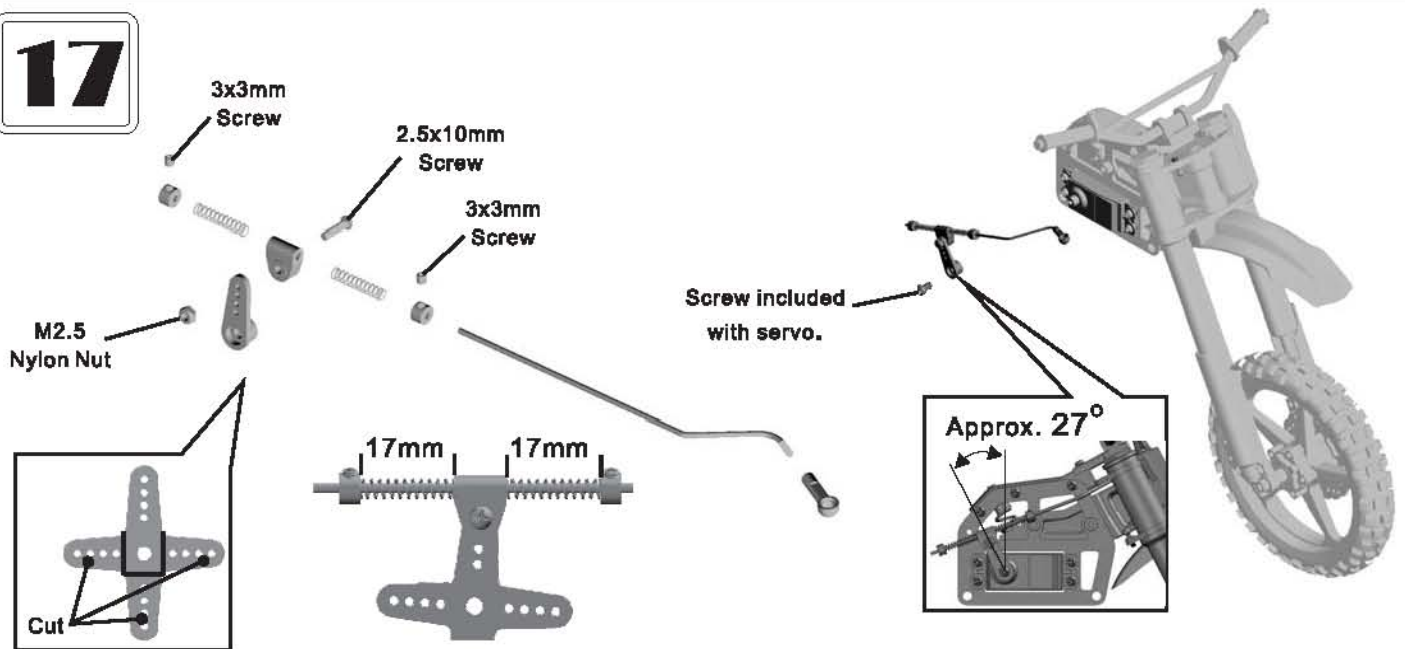
15



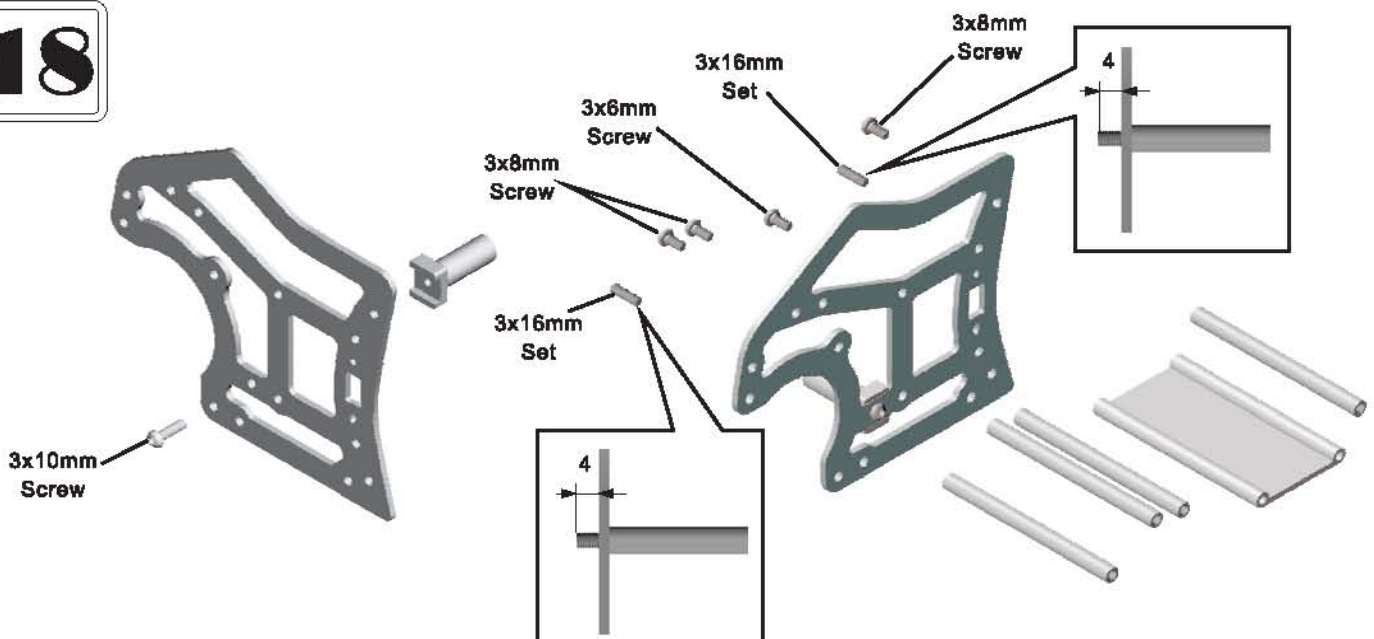
16



17



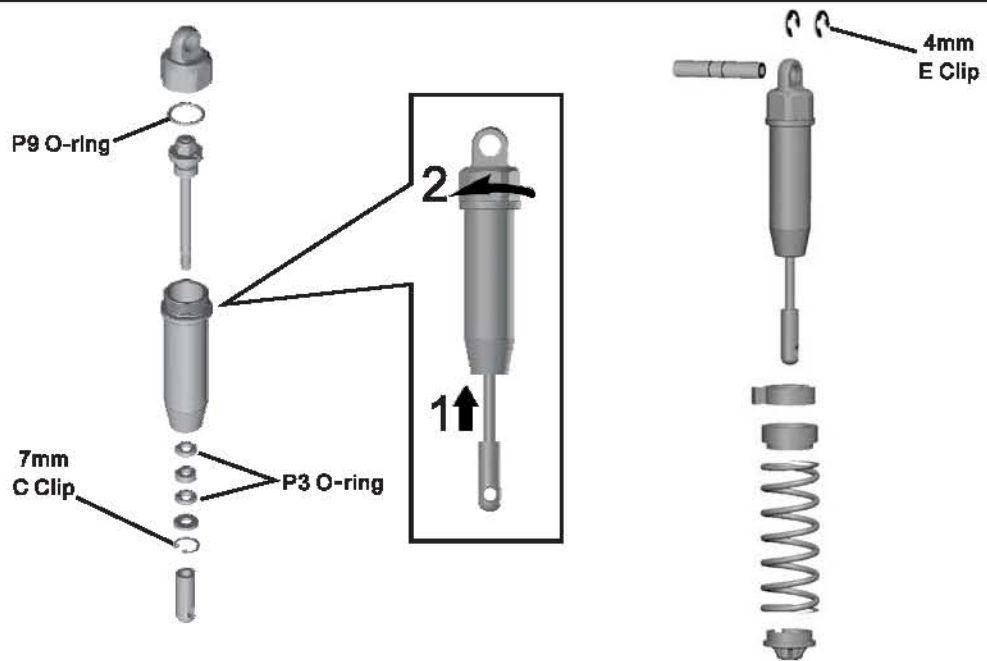
18



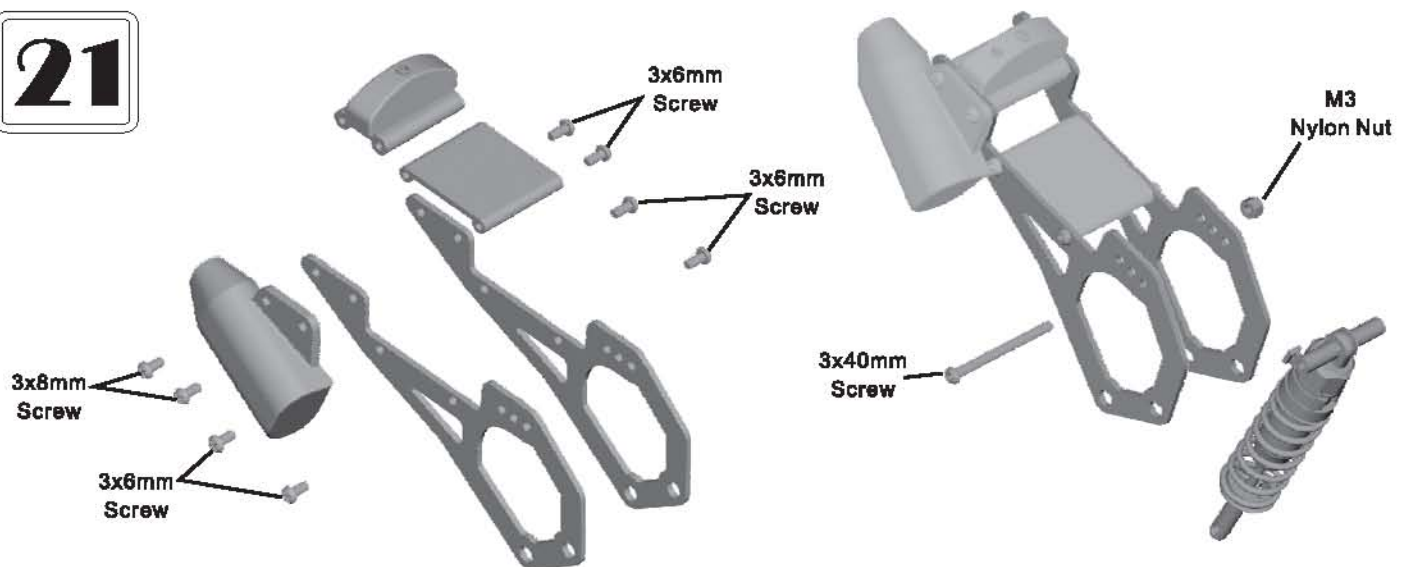
19



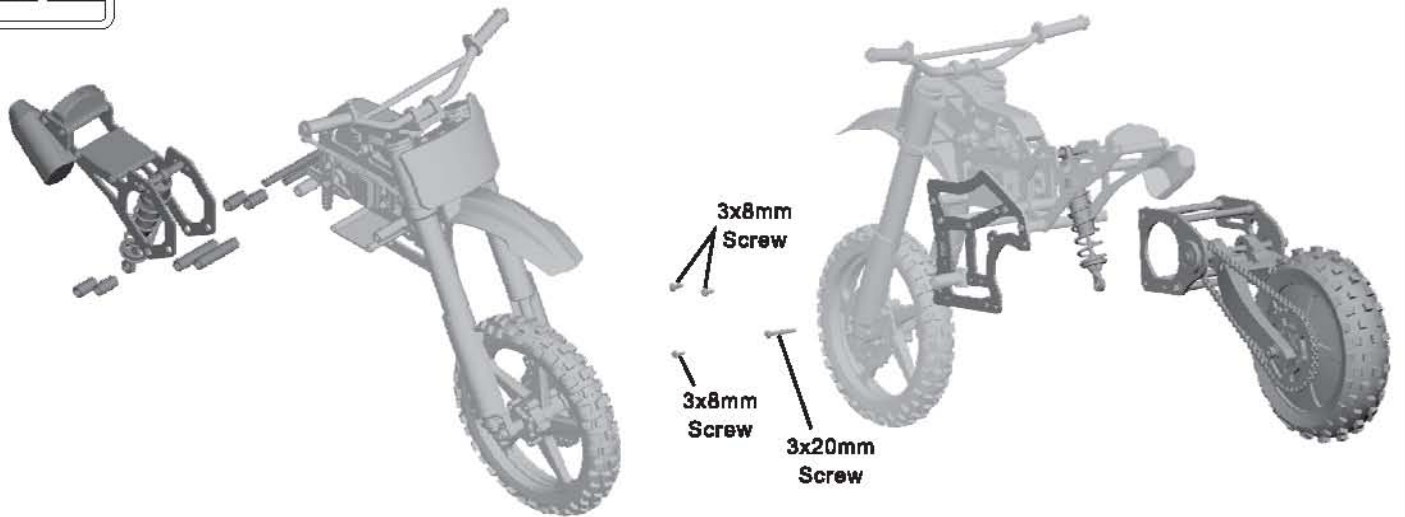
20



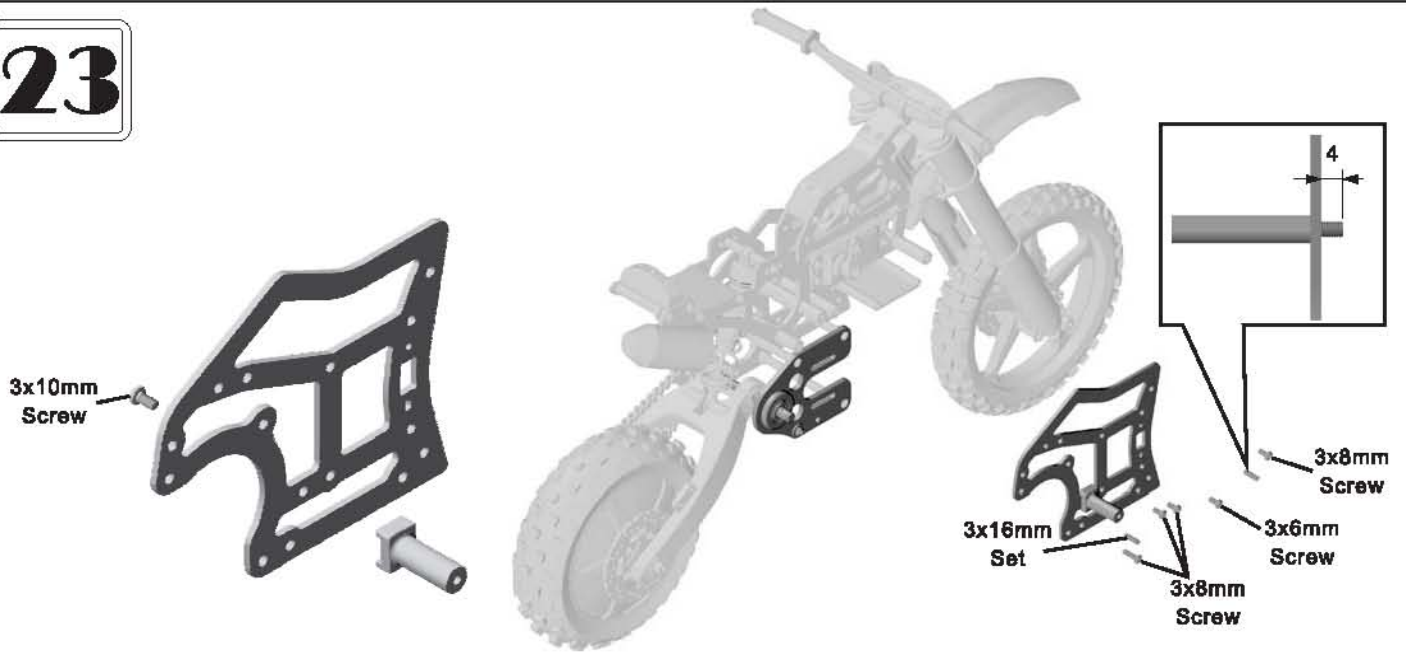
21



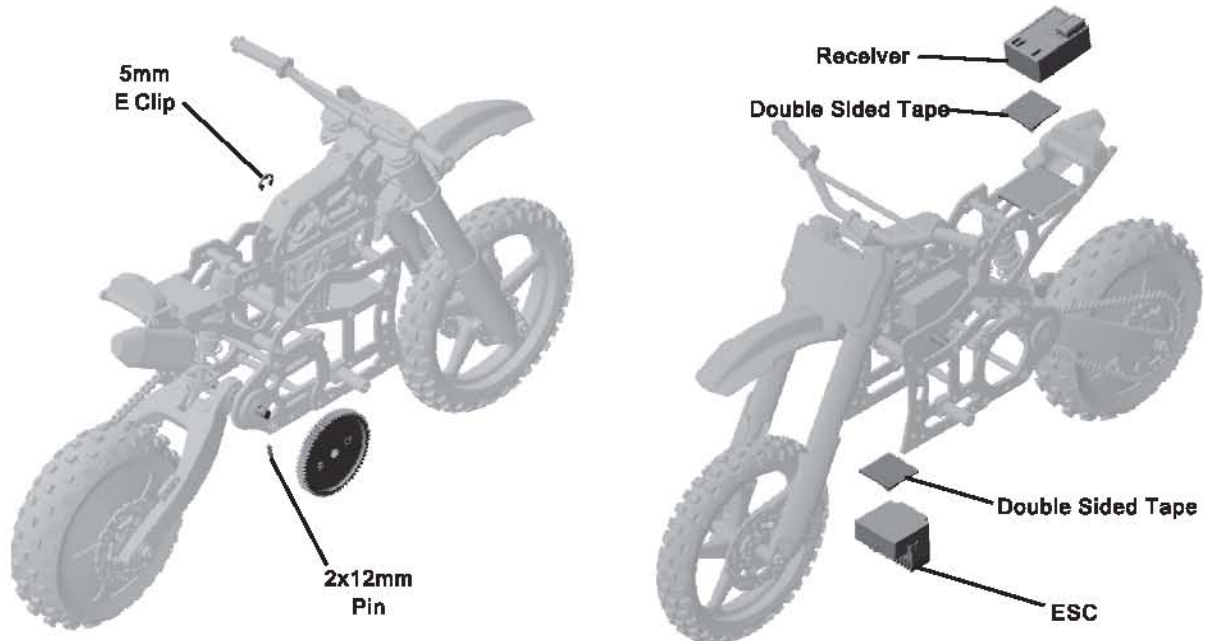
22



23



24



25

3x6mm
Screw

3x8mm
Washer

Motor

3x3mm
Screw

Tighten the screws with one sheet of paper inserted between both gears.

26

3x8mm
Screw

3x8mm
Washer

remove

27

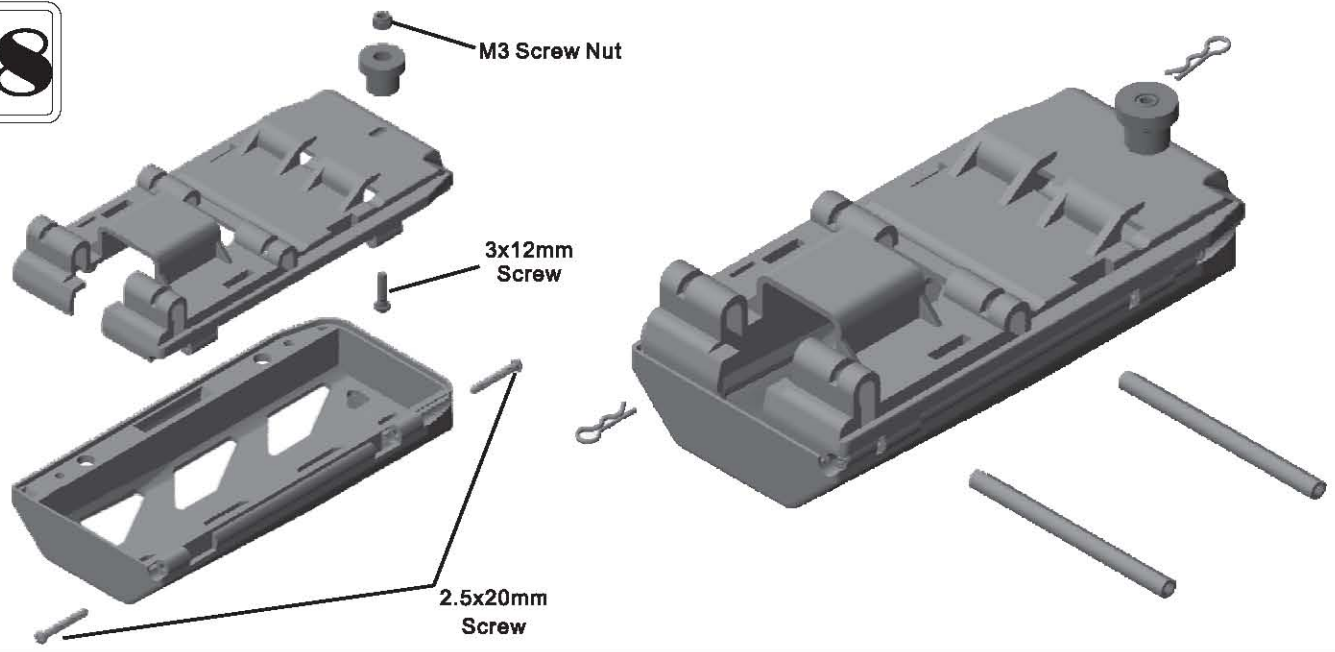
3x8mm
Screw

3x8mm
Washer

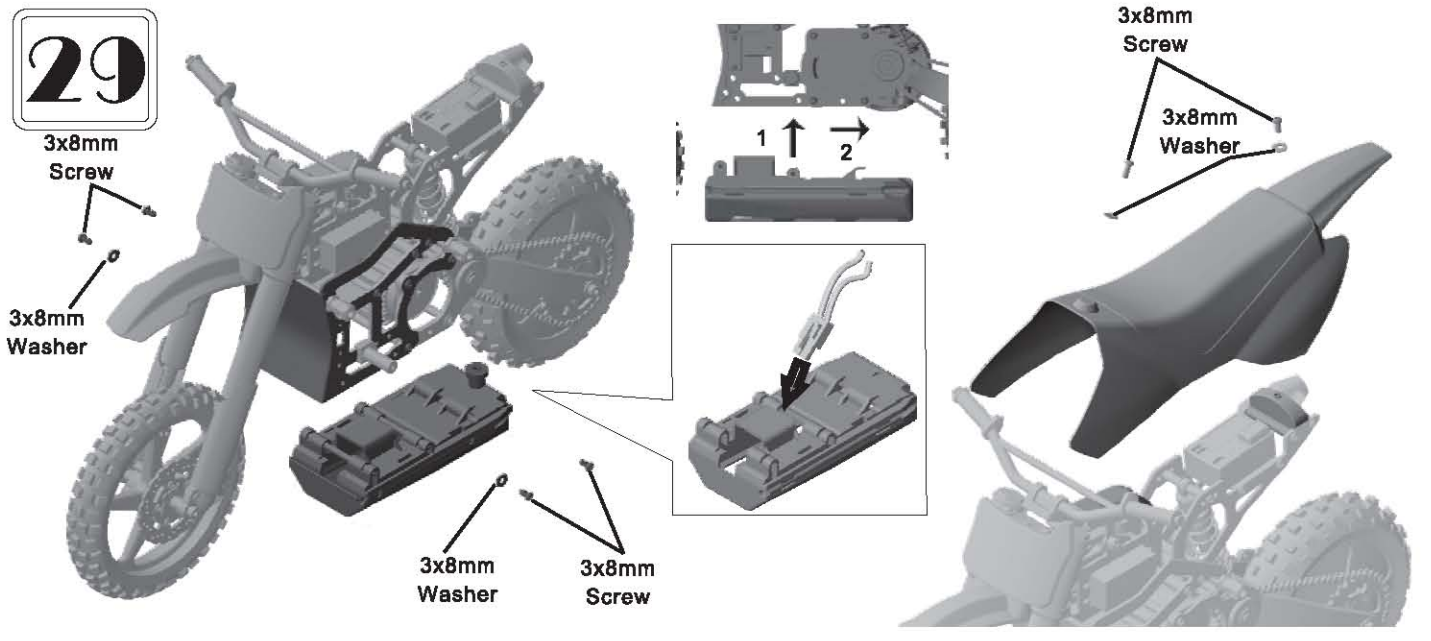
3x8mm
Screw

3x8mm
Washer

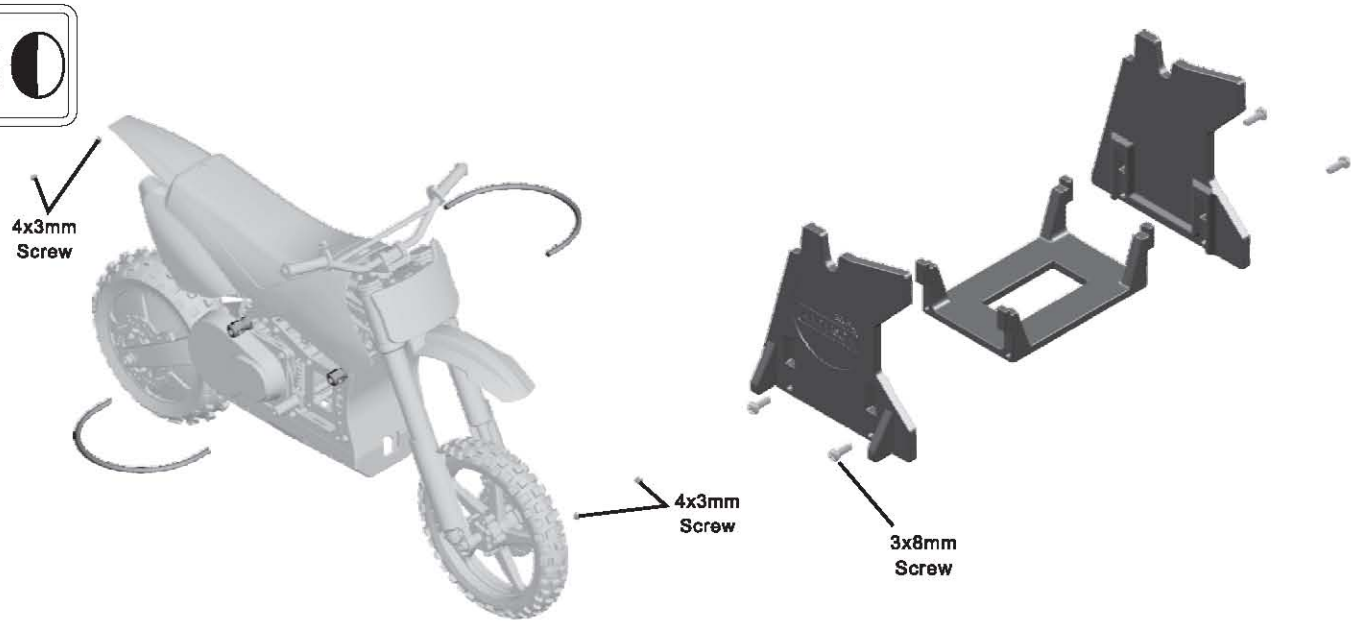
28



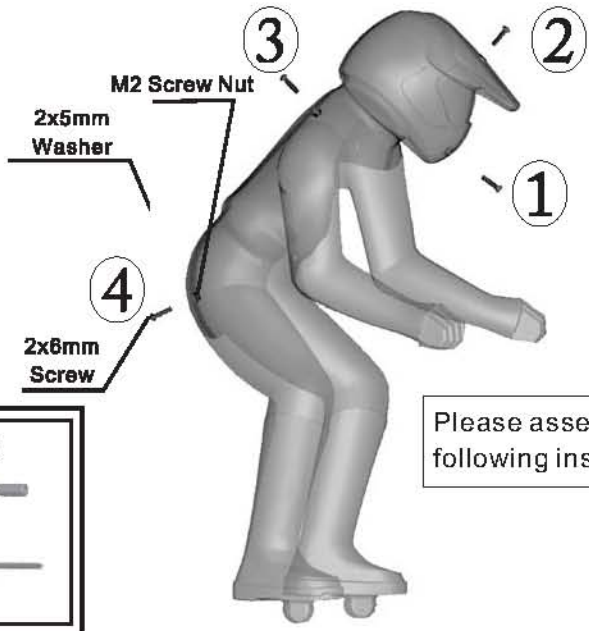
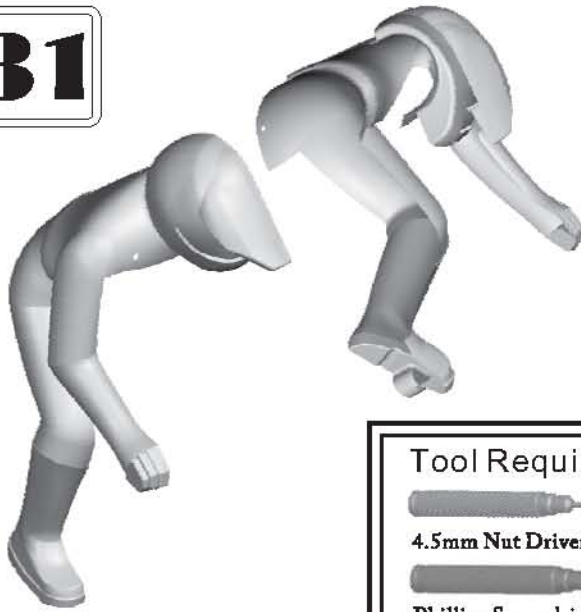
29



30



31



Tool Required



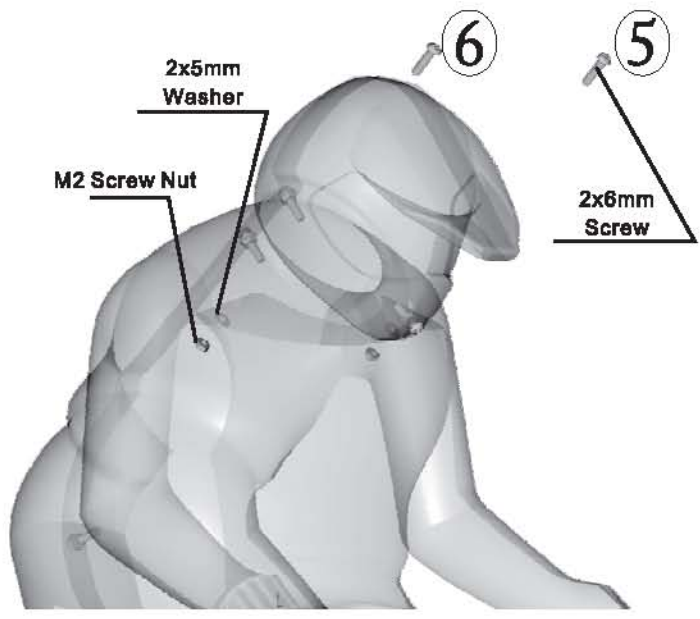
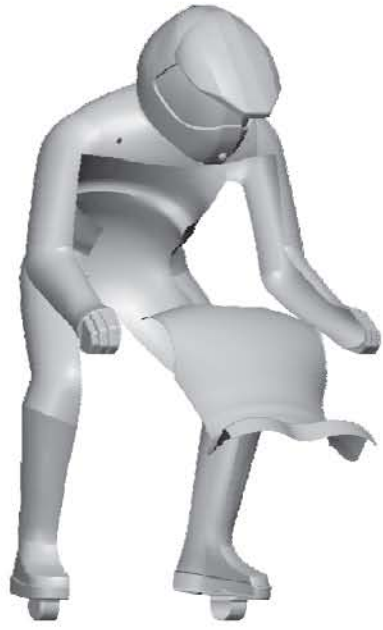
4.5mm Nut Driver



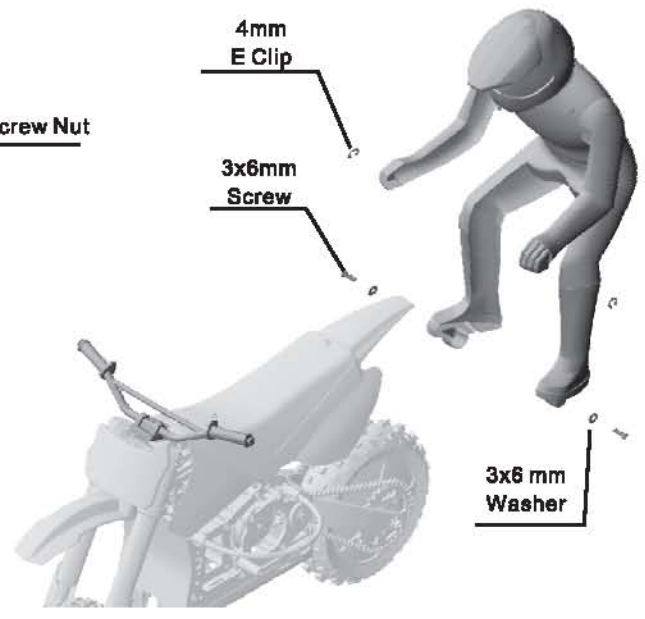
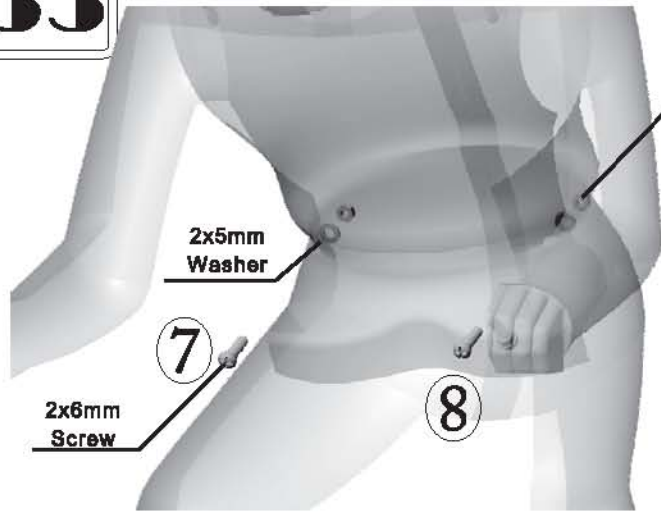
Phillips Screwdriver

Please assemble per the following instructions

32



33



Decals Position :

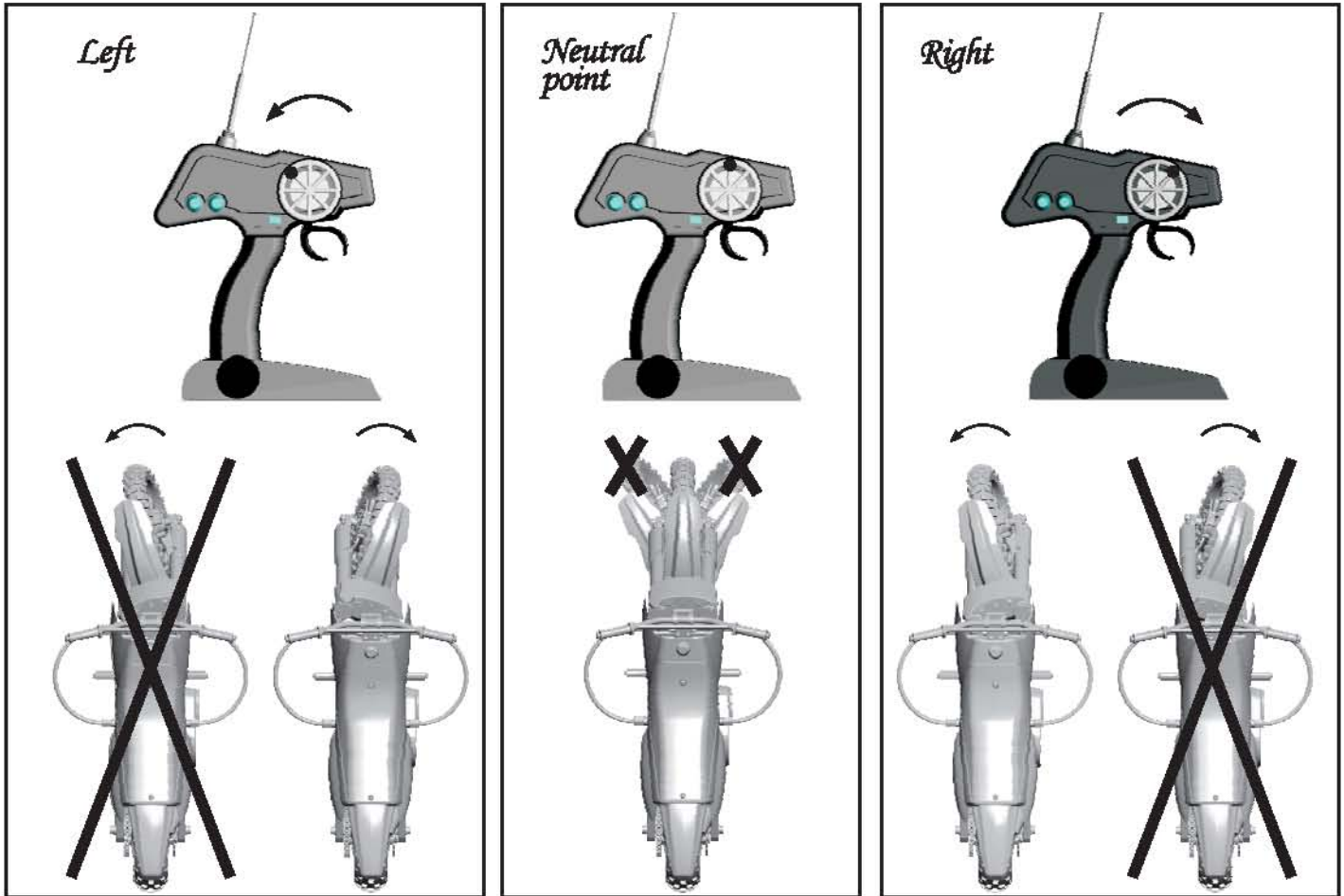


Decals Position :



Setting

This is a design with CG steering system (counter steering system),
The direction between steering and front wheel is opposited.

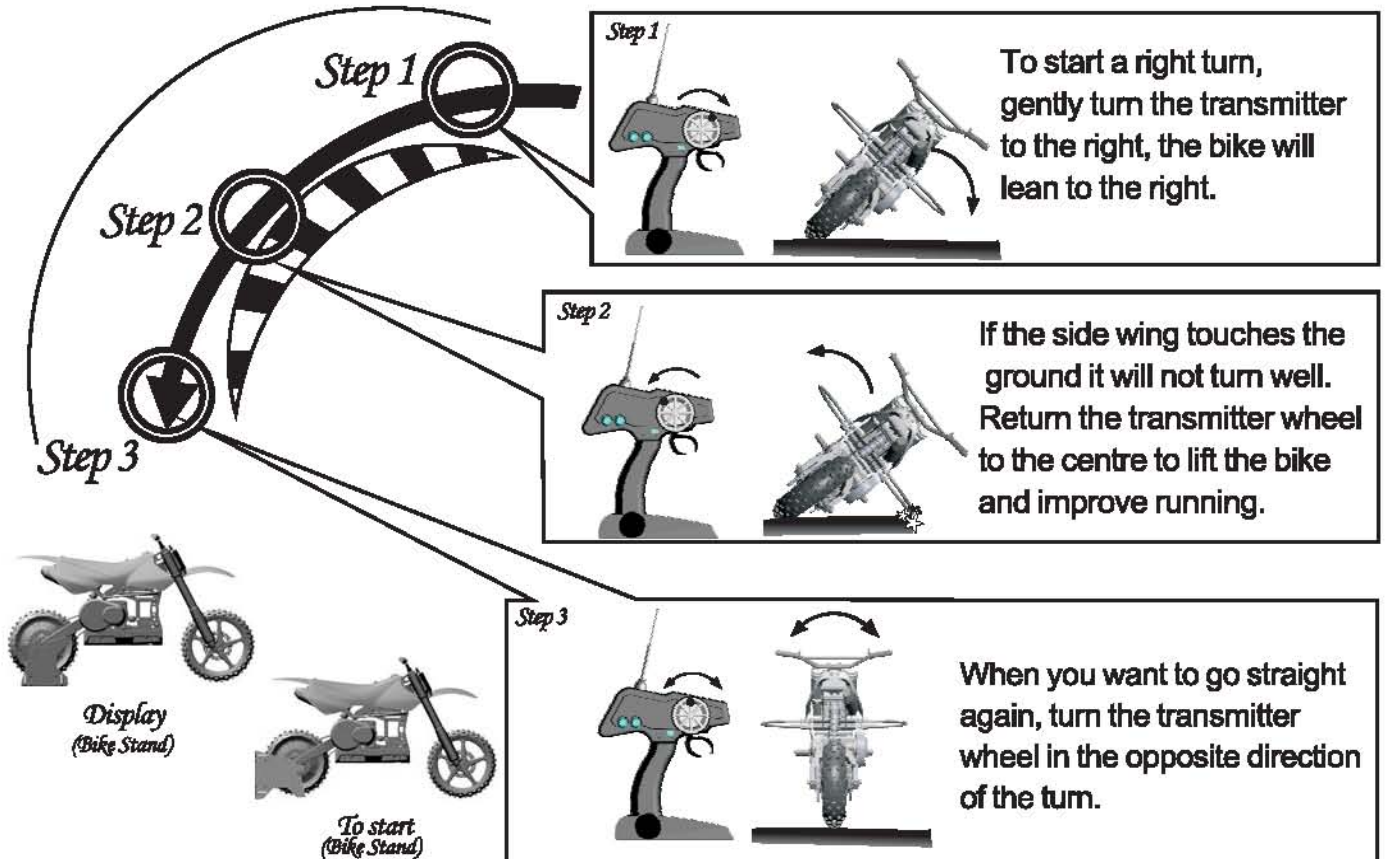


Operation

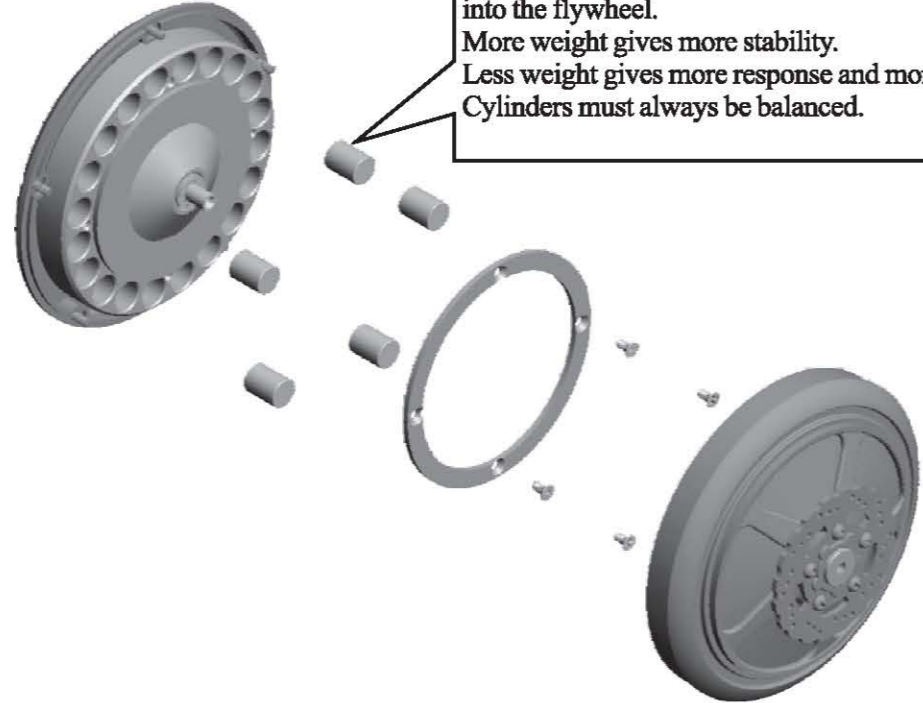
Smooth open parking lots or your local track will usually be the best choices .

Important Notes

1. For better stability be Sure to keep the Gyro turning for 5 seconds before running the Car.
2. For easis starting use the stand shown below.



Adjustable Gyro



The weight can be adjusted by inserting the cylinder into the flywheel.
 More weight gives more stability.
 Less weight gives more response and more power.
 Cylinders must always be balanced.

Adjustment for side wing

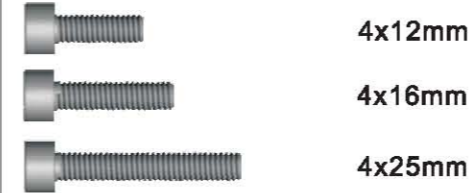
Longer side wing is better for beginners and for off road.
 Shorter side wing will give more steering.

Short

Long



Cap Head



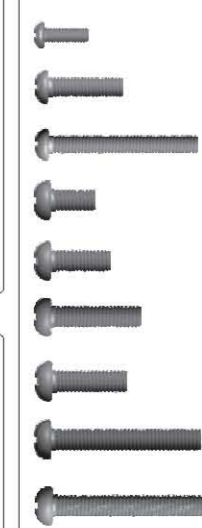
4x12mm
 4x16mm
 4x25mm

E Clip



4mm
 5mm

Button Head



2x6mm
 2.5x10mm
 2.5x20mm
 3x6mm
 3x8mm
 3x12mm
 3x10mm
 3x20mm
 3x40mm

Flat Head



2.5x8mm
 3x6mm
 3x8mm

C Clip



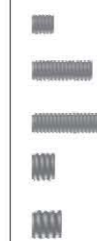
7mm

Pin



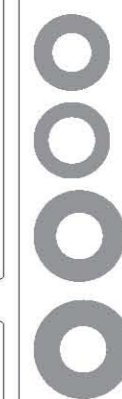
2x12mm

Setscrews



3x3mm
 3x8mm
 3x12mm
 4x3mm
 4x4mm

Ball Bearings



5x10mm
 6x10mm
 6x12mm
 6x13mm

O Ring



2x1.5
 8x1.5
 9x1

Nuts



2mm
 2.5mm
 3mm
 4mm

Shims & Washers



2x5mm
 3x8mm
 4x10mm
 6x10mm

Notes










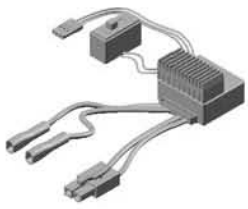







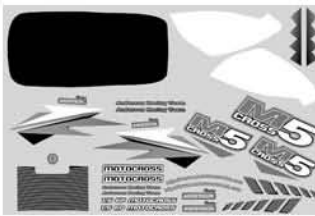






One Way Bearing





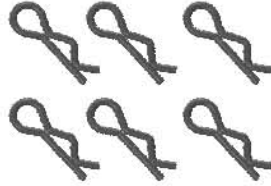




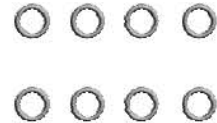








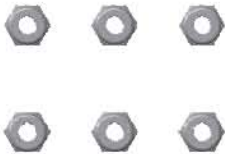


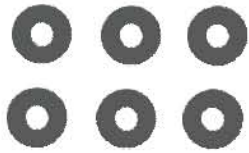
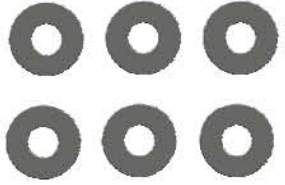

















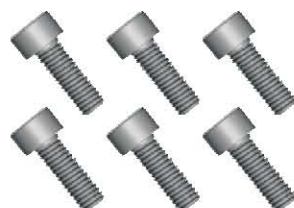









6x10x8mm








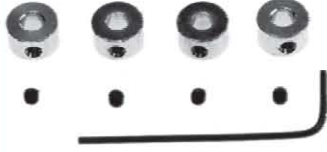


<p>M59300</p>	<p>M59301</p>	<p>M59302</p>	<p>M59303</p>	<p>M59304</p>	<p>M59305</p>
 <p>Main Frame</p>	 <p>Upper Frame</p>	 <p>Rear Frame</p>	 <p>Front Shock Mount</p>	 <p>Motor Mount - L</p>	 <p>Motor Mount - R</p>
<p>M59306</p>	<p>M59417</p>	<p>M59307</p>	<p>M59308</p>	<p>M59309</p>	<p>M59310</p>
 <p>Alum. chassis Post</p>	 <p>Motor Mount post</p>	 <p>Front Wheel Axle</p>	 <p>Rear Wheel Axle</p>	 <p>Main Shaft</p>	 <p>King Shaft</p>
<p>M59311</p>	<p>M59312</p>	<p>M59314</p>	<p>M59315</p>	<p>M59421</p>	<p>M59317</p>
 <p>Front Shock Shaft</p>	 <p>Rear Shock Post</p>	 <p>Planetary Gear Mount</p>	 <p>Clutch Shoes Hub</p>	 <p>Metal Clutch Shoe</p>	 <p>Fly wheel cylinder weight</p>
<p>M59318</p>	<p>M59319</p>	<p>M59320</p>	<p>M59321</p>	<p>M59322</p>	<p>M59323</p>
 <p>9T Sprocket</p>	 <p>26T Sprocket Plate</p>	 <p>Stabilizer Bar End</p>	 <p>Front Shock Upper Cap</p>	 <p>Front Shock Lower Cap</p>	 <p>13T Pinion</p>

<p>M59324</p>	<p>M59325</p>	<p>M59326</p>	<p>M59327</p>	<p>M59328</p>	<p>M59329</p>
 <p>Front Shock Spring</p>	 <p>The 3rd Spring</p>	 <p>Rear Shock Spring</p>	 <p>Front Wheel</p>	 <p>Rear Wheel</p>	 <p>Front Tire</p>
<p>M59330</p>	<p>M59331</p>	<p>M59332</p>	<p>M59333</p>	<p>M59334</p>	<p>M59335</p>
 <p>Rear Tire</p>	 <p>Flywheel Gyro</p>	 <p>Planetary Gear Set</p>	 <p>Front Shock Body</p>	 <p>Front Hub Carrier</p>	 <p>Front Shock Piston Set</p>
<p>M59336</p>	<p>M59337</p>	<p>M59338</p>	<p>M59339</p>	<p>M59340</p>	<p>M59341</p>
 <p>Front Suspension Mount</p>	 <p>Body Mount</p>	 <p>ESC/RX Plate</p>	 <p>Battery Case</p>	 <p>Handle With Muffler</p>	 <p>Frame Posts</p>
<p>M59342</p>	<p>M59343</p>	<p>M59344</p>	<p>M59345</p>	<p>M59346</p>	<p>M59347</p>
 <p>Brake Disc</p>	 <p>Main Shaft Bearing Holder</p>	 <p>Rear Arm</p>	 <p>Chain</p>	 <p>65T Main Gear</p>	 <p>Rear Shock Set</p>

M59348	M59349	M59350	M59422	M59415	M59368
 <p>Stabilizer Bar (250,200mm)</p>	 <p>Servo Mount</p>	 <p>Steering Linkage Set</p>	 <p>Ball Bearings 5x10 2pcs 6x10 2pcs 6x13 10pcs</p>	 <p>One way Bearing</p>	 <p>Bike Stand</p>
M59387	455201	455300 _{22000 RPM}	521405	M59351	M59352
 <p>Rear Wheel Axle Washer</p>	 <p>PRO 500 Brushless Motor 3800KV (Inner Runner)</p>	<p>455301_{28000 RPM}</p>  <p>540 Motor</p>	 <p>15T Speed Control</p>	 <p>Body(Gun Metal)+ Decals</p>	 <p>Body(Red)+ Decals</p>
M59353	M59354	M59355	M59356	M59357	M59358
 <p>Body(Orange)+ Decals</p>	 <p>Body(Yellow)+ Decals</p>	 <p>Body(Green)+ Decals</p>	 <p>Body(Blue)+ Decals</p>	 <p>Clear Body+ Decals</p>	 <p>Body Decals</p>
M59359	M59360	M59361	M59362	M59363	M59364
 <p>Driver(Gun Metal) + Decals</p>	 <p>Driver(Red) + Decals</p>	 <p>Driver(Orange) + Decals</p>	 <p>Driver(Yellow) + Decals</p>	 <p>Driver(Green) + Decals</p>	 <p>Driver(Blue) + Decals</p>

M59365 	M59366 	258038 	258039 	258285 	250610 
Clear Driver + Decals	Driver Decals	Color Antenna (Blue)	Antenna Cover	R-Clips	Double Sided Tape
258134 	254027 	258288 	258287 	254029 	258938 
P2 O Ring	P3 O Ring	P8 O Ring	P9 O Ring	3x3mm Screw	3x8mm Screw
258994 	258639 	254030 	258277 	258278 	254038 
3x16mm Screw	4x3mm Screw	4x4mm Screw	M2 Nut	M2.5 Nut	M3 Nut
254036 	254037 	254075 	258281 	254006 	254061 
M3 Nylon Nut	M4 Nylon Nut	2x5mm Washer	3x8mm Washer	4x10mm Washer	4mm E Clip

<p>258142</p>  <p>5mm E Clip</p>	<p>254062</p>  <p>7mm C Clip</p>	<p>258273</p>  <p>2.5x8mm Screw</p>	<p>258648</p>  <p>3x6mm Screw</p>	<p>258638</p>  <p>3x8mm Screw</p>	<p>258274</p>  <p>2x6mm Screw</p>
<p>258282</p>  <p>2.5x12mm Screw</p>	<p>258275</p>  <p>2.5x20mm Screw</p>	<p>258276</p>  <p>3x6mm Screw</p>	<p>258837</p>  <p>3x8mm Screw</p>	<p>258935</p>  <p>3x12mm Screw</p>	<p>258283</p>  <p>3x10mm Screw</p>
<p>258286</p>  <p>3x20mm Screw</p>	<p>254050</p>  <p>3x40mm Screw</p>	<p>258270</p>  <p>4x12mm Screw</p>	<p>258271</p>  <p>4x16mm Screw</p>	<p>258272</p>  <p>4x25mm Screw</p>	<p>258637</p>  <p>2x12mm Pin</p>
<p>M59369</p>  <p>Brush</p>	<p>M59380</p>  <p>Alum. Rear Shock Cap</p>	<p>OPTION PARTS</p> 	<p>421980</p>  <p>Curved Scissors for Plastic</p>	<p>421505</p>  <p>Nut Driver 7mm</p>	<p>421506</p>  <p>Nut Driver 5.5mm</p>

421504	421420	421430	421431	521175	M5S9406
 <p>Nut Driver 4.5mm</p>	 <p>Hex Straight Allen 1.5mm 2.0mm 2.5mm 3.0mm</p>	 <p>Phillips Wrench (0)</p>	 <p>Phillips Wrench (1)</p>	 <p>Brushless Speed Control 75A PRO</p>	 <p>High Sensitivity Steering Rod Set</p>
615008	180240	M5S9420	256010-01		
 <p>Connector For 7.4V Li-po Battery L : 100mm</p>	 <p>(5 mm) For stabilizer bar collars</p>	 <p>48T Planetary Gear</p>	 <p>Rubber Stand</p>		



ANDERSON MODEL COMPANY., LTD
<http://www.andersonmodel.com>

Made In Taiwan 09, 2009