

6x6 Off-Road Military Truck

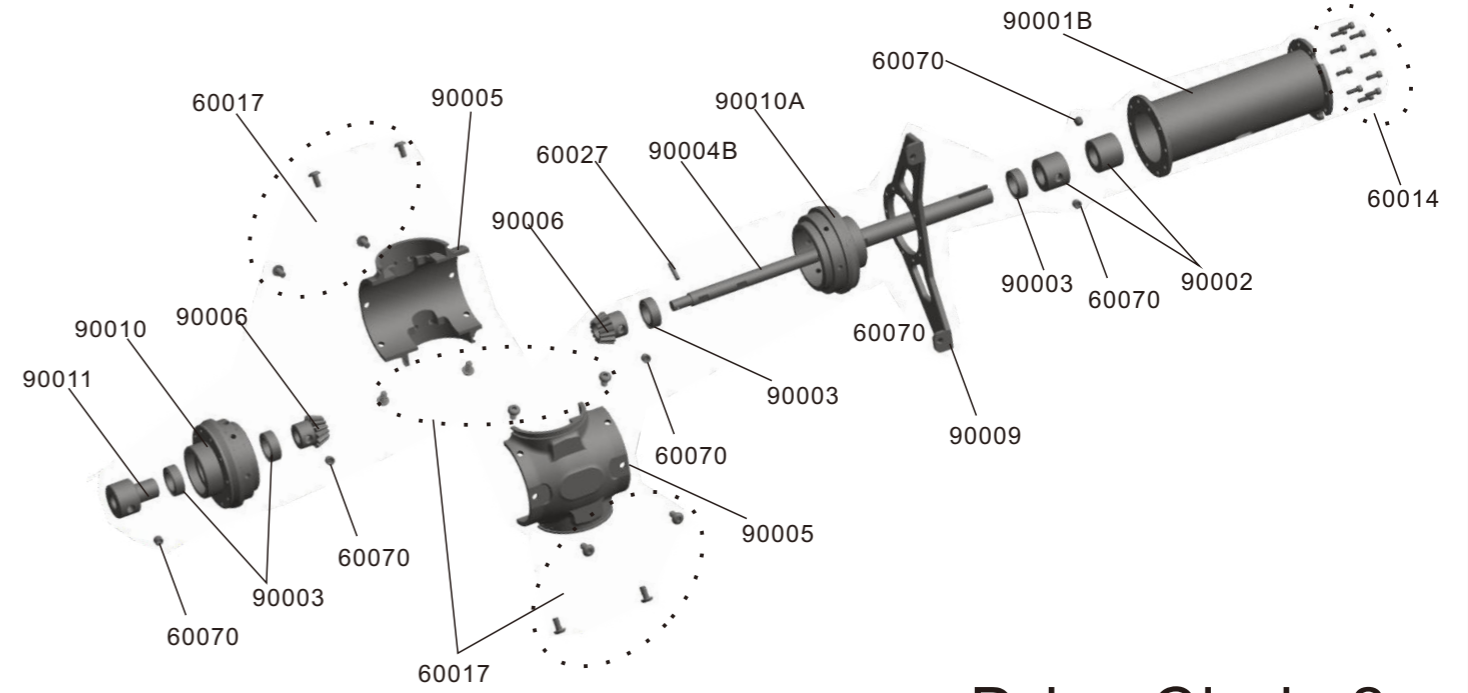
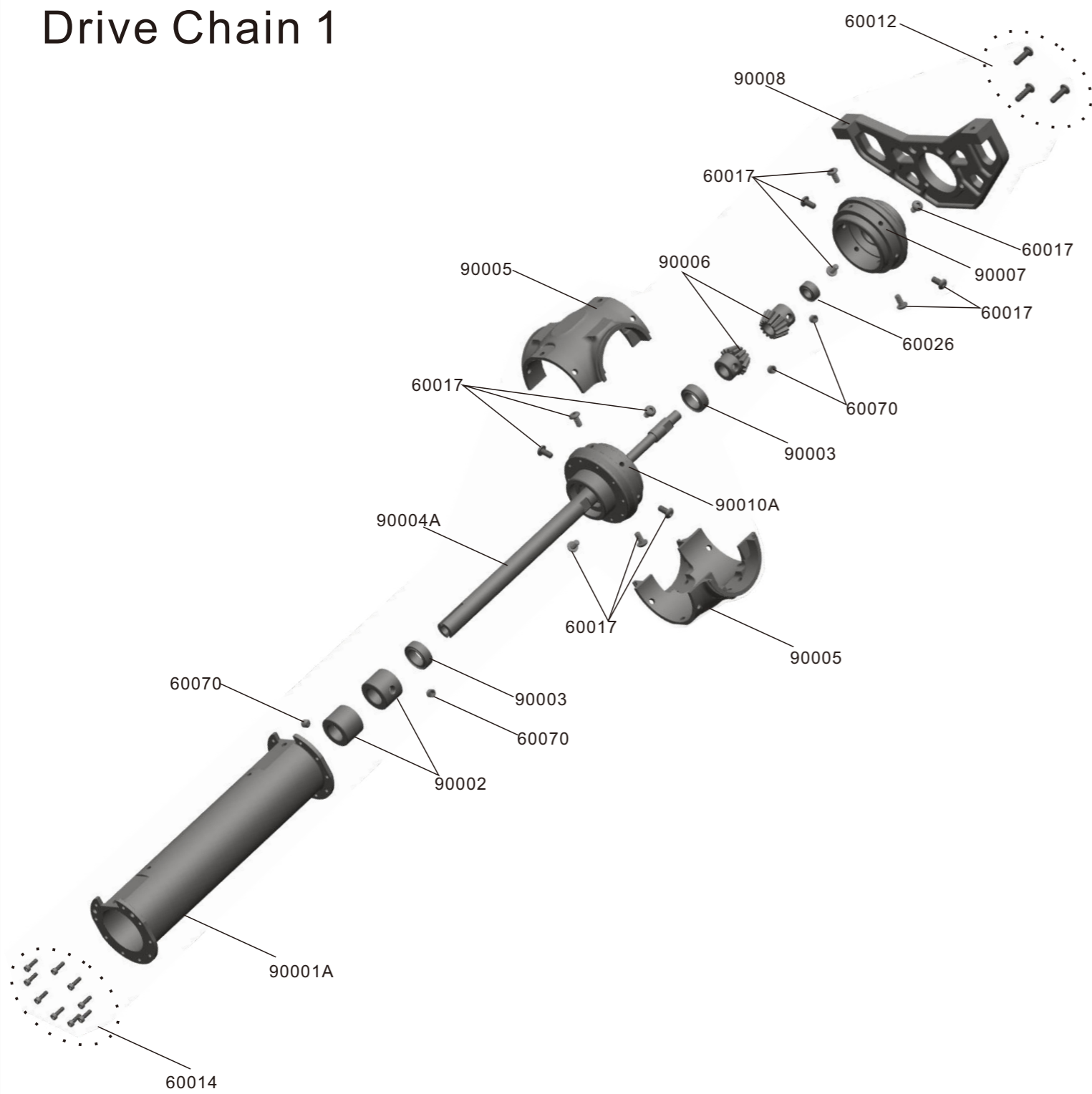
LxWxH: 780x280x280mm

WheelBase: 470mm

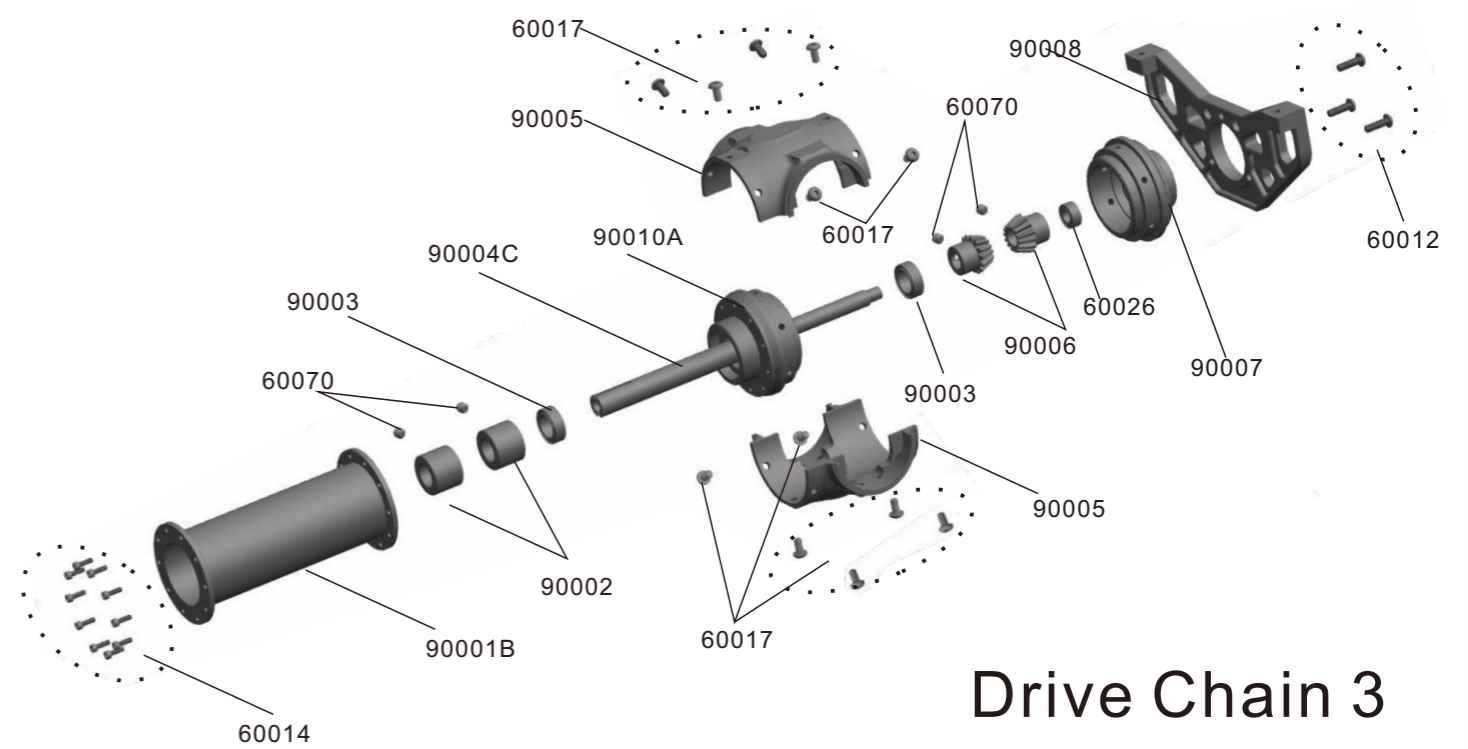
Ground Clearance: 30mm



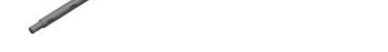
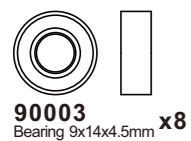
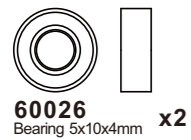
Drive Chain 1



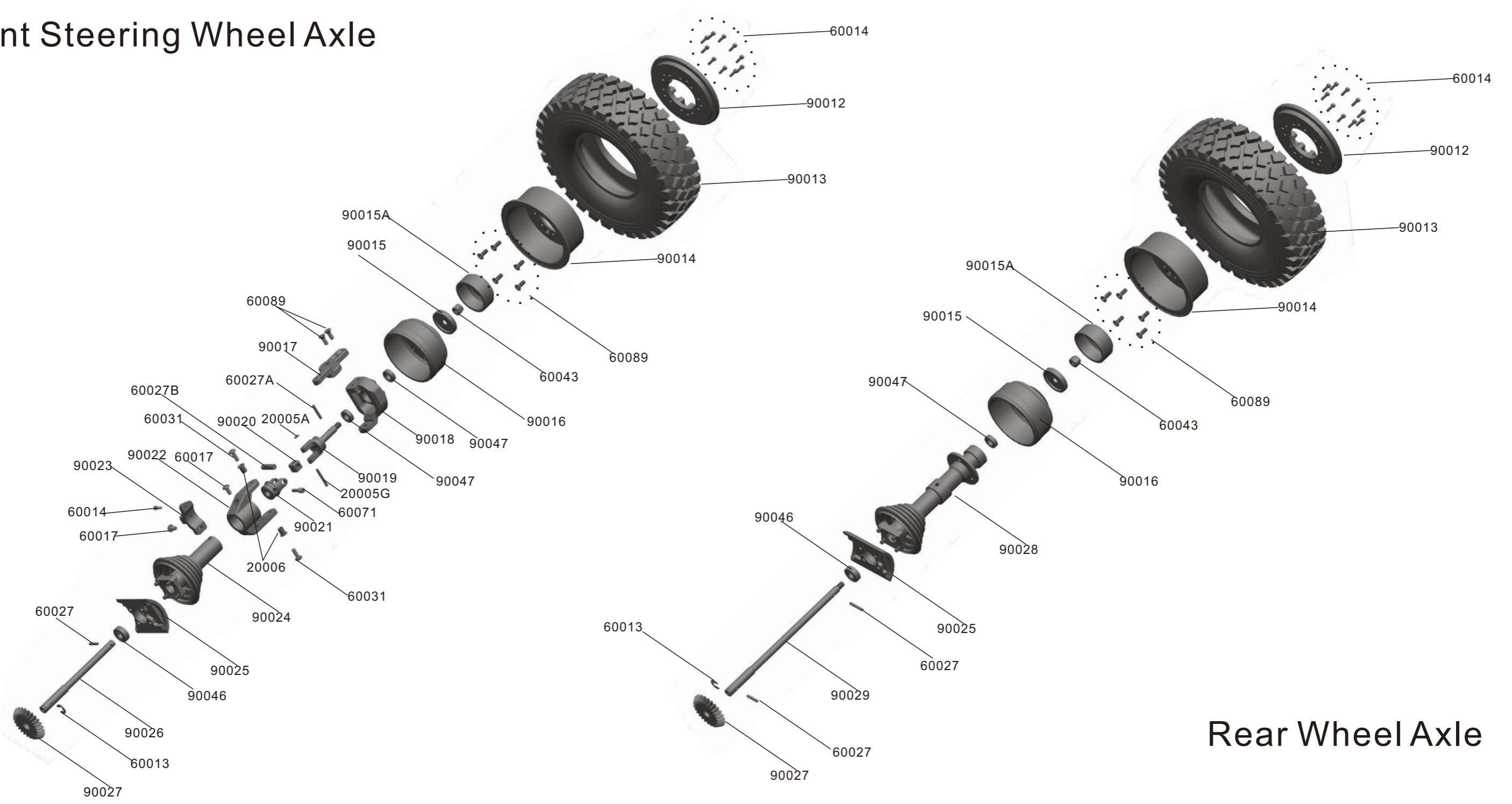
Drive Chain 2



Drive Chain 3

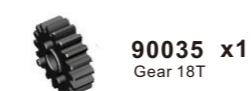
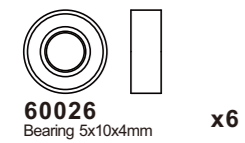
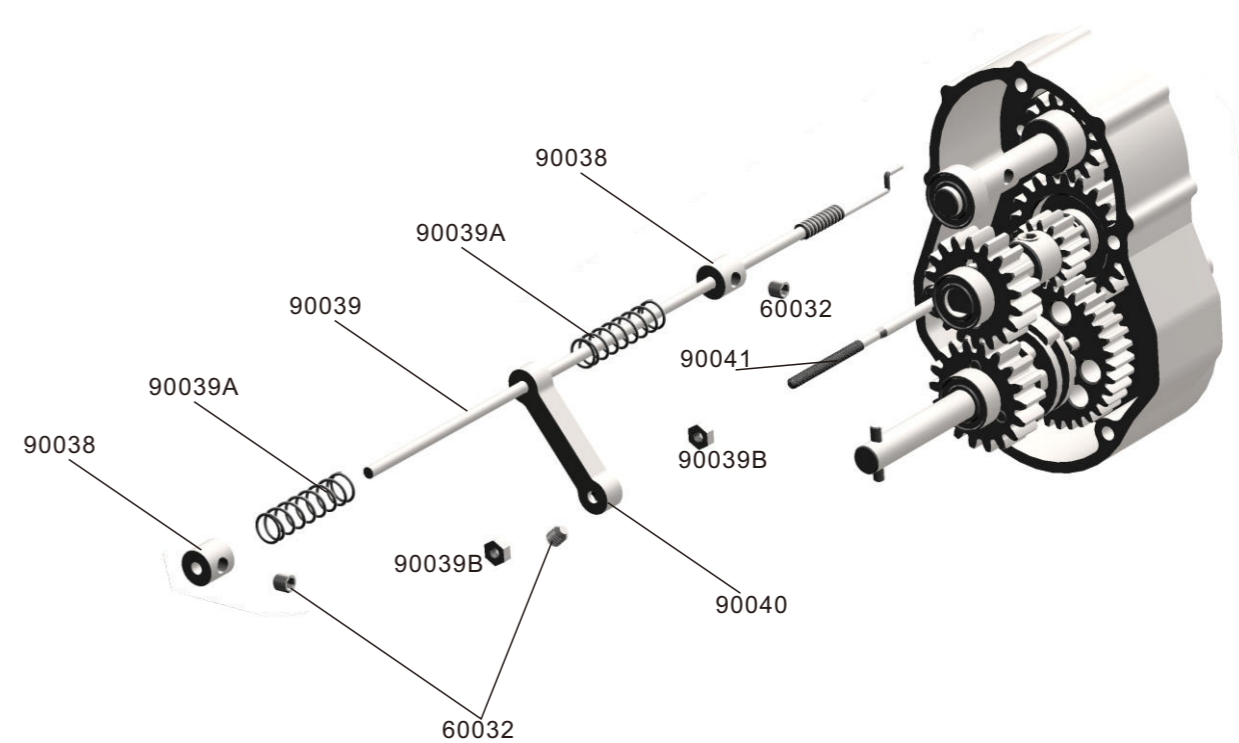
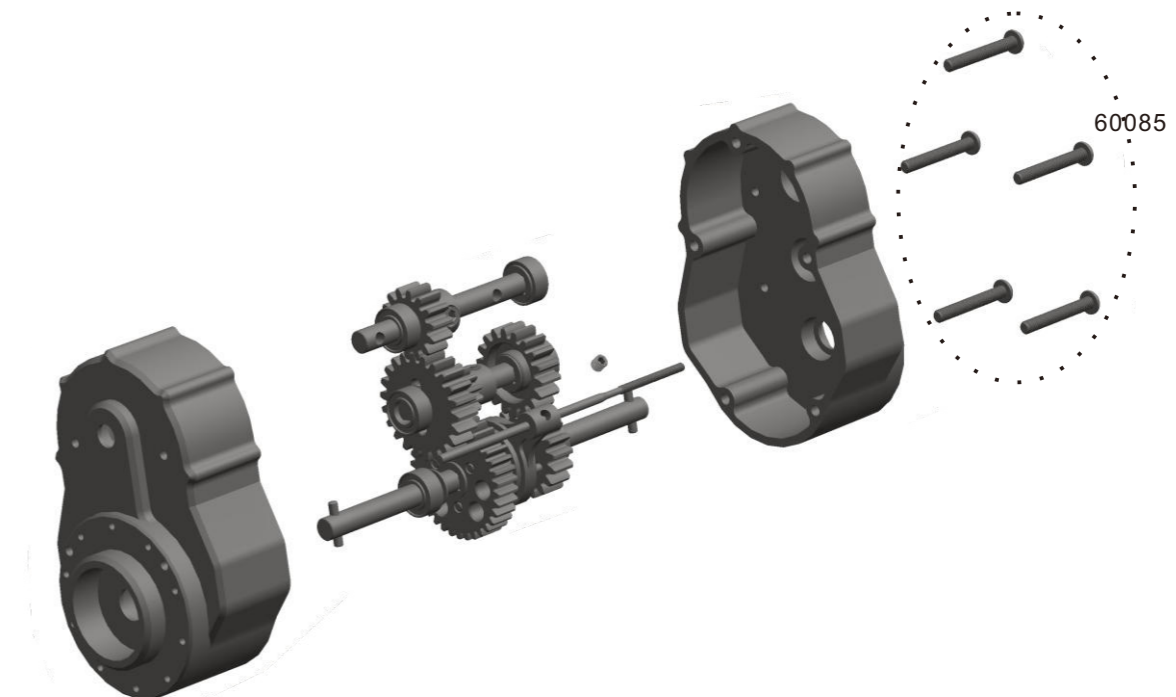
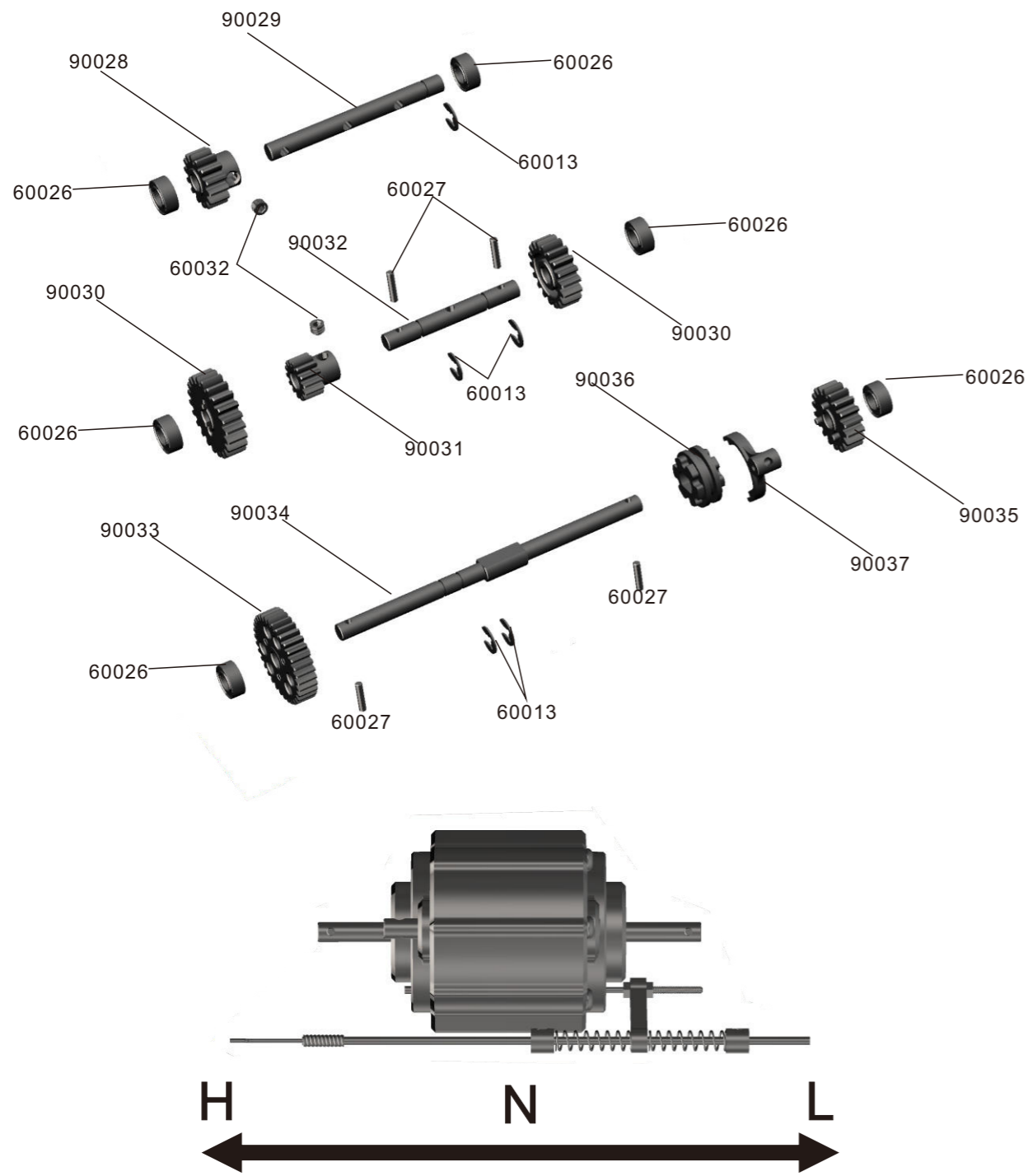


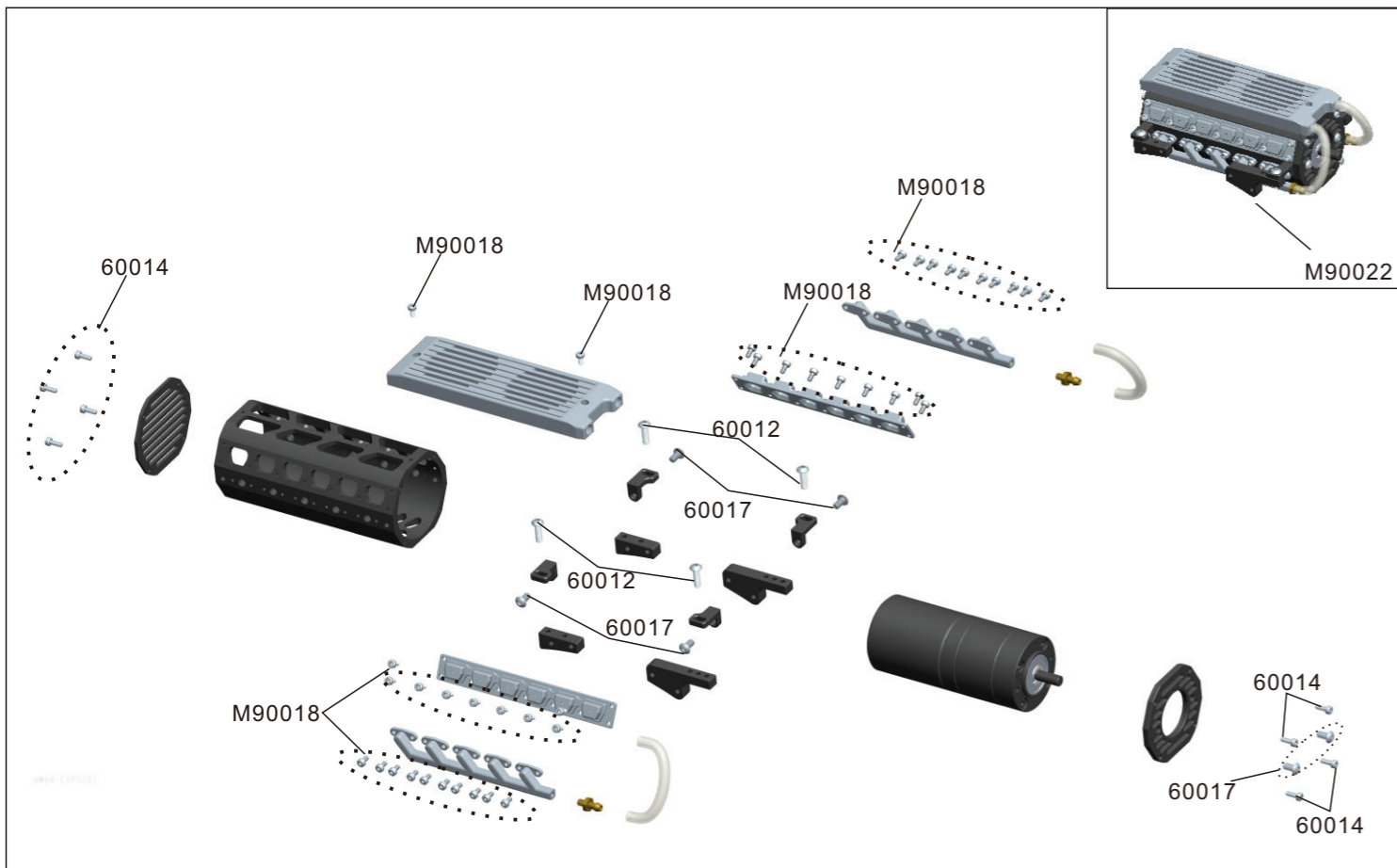
Front Steering Wheel Axle



Rear Wheel Axle

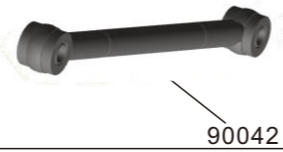
3-SPEED Transmission Box(H-N-L)



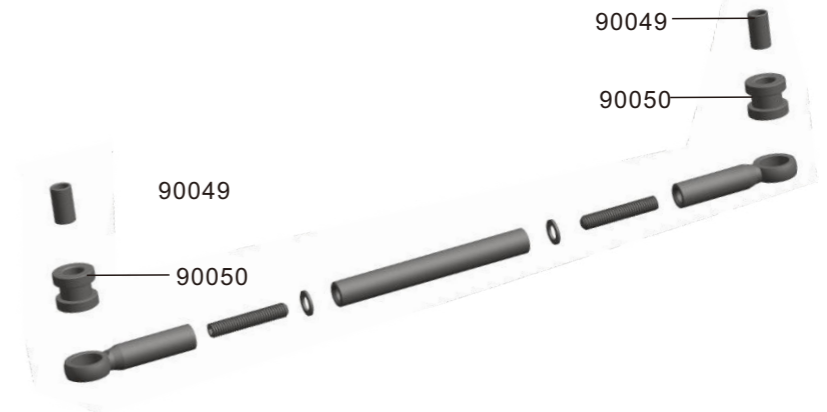


-  **60014** M2x6mm x8
-  **M90018** M2x4mm x40
-  **60017** Tm3x6mm x6
-  **60012** Tm3x10mm x4

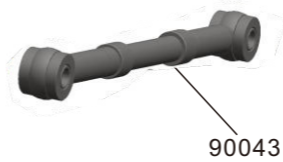
Linkage A (φ5*84.5mm)



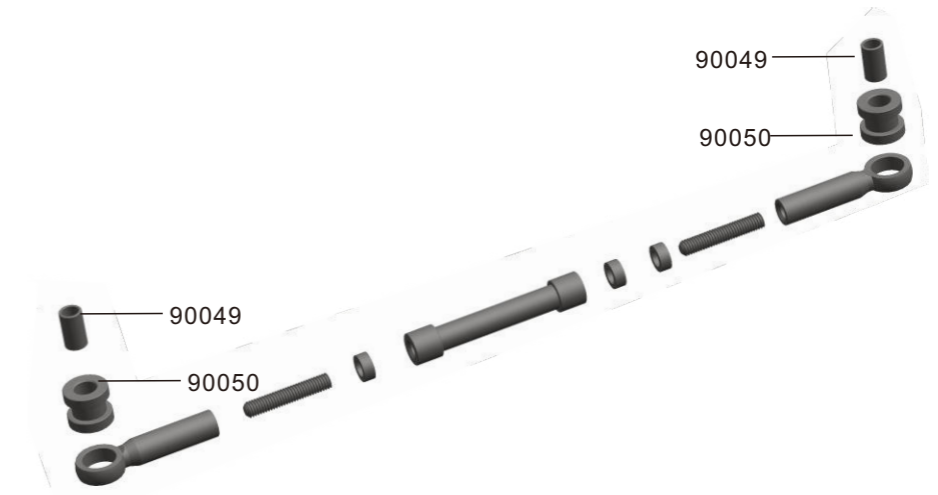
- 90049** Copper tube (4x3x7)
- 90050** Rubber bush(8x4x7)



Linkage B (φ6*82mm)



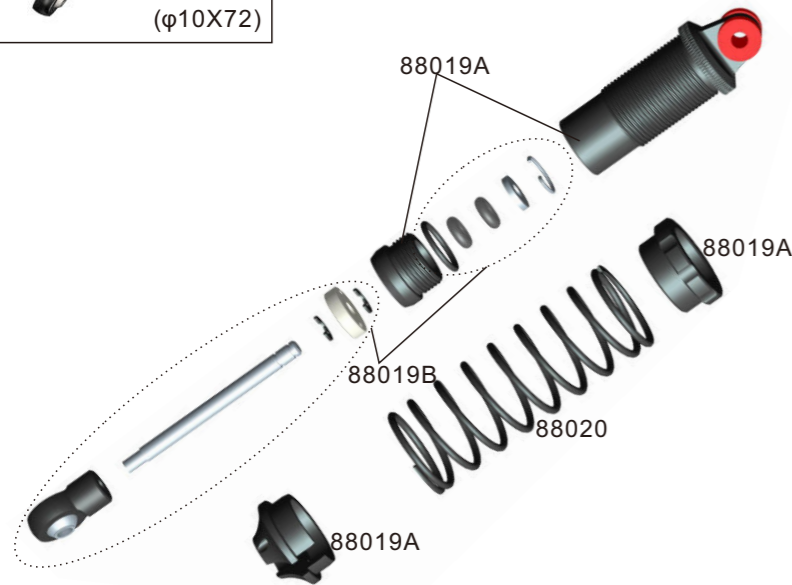
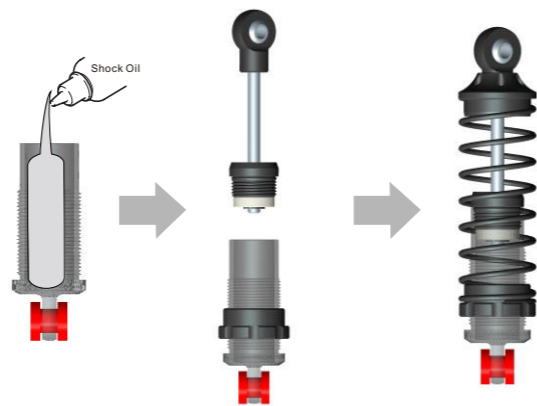
- 90049** Copper tube (4x3x7)
- 90050** Rubber bush(8x4x7)



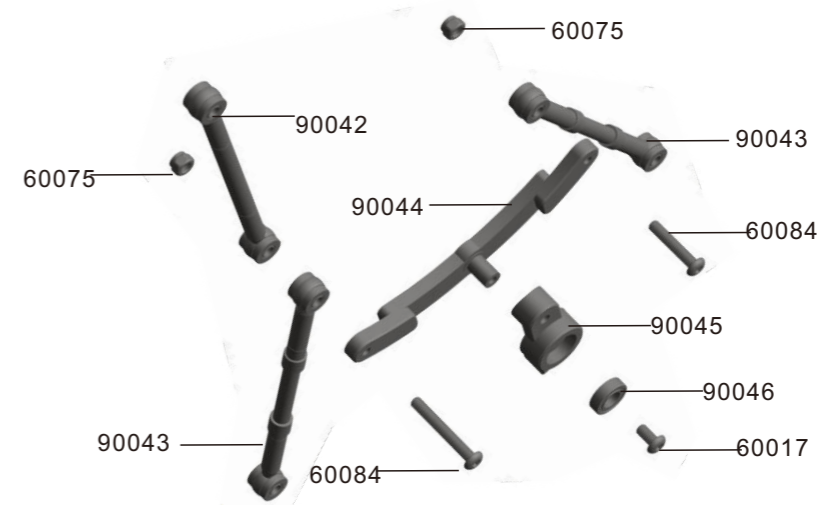
Shock



NOTE: Shock oil was not pre-injected in factory



-  **60082** Tm3x30mm x1
-  **80036** Shock Mount x1
-  **88020** Shock Spring φ 1.3Xφ15X48 x1



-  **90046** Bearing 5x10x3mm x1
-  **60017** Tm3x6mm x1
-  **90042** x1
-  **90044** x1
-  **60075** M3 Nut x2
-  **60084** Tm3x16mm x2
-  **90043** x2
-  **90045** x1

