

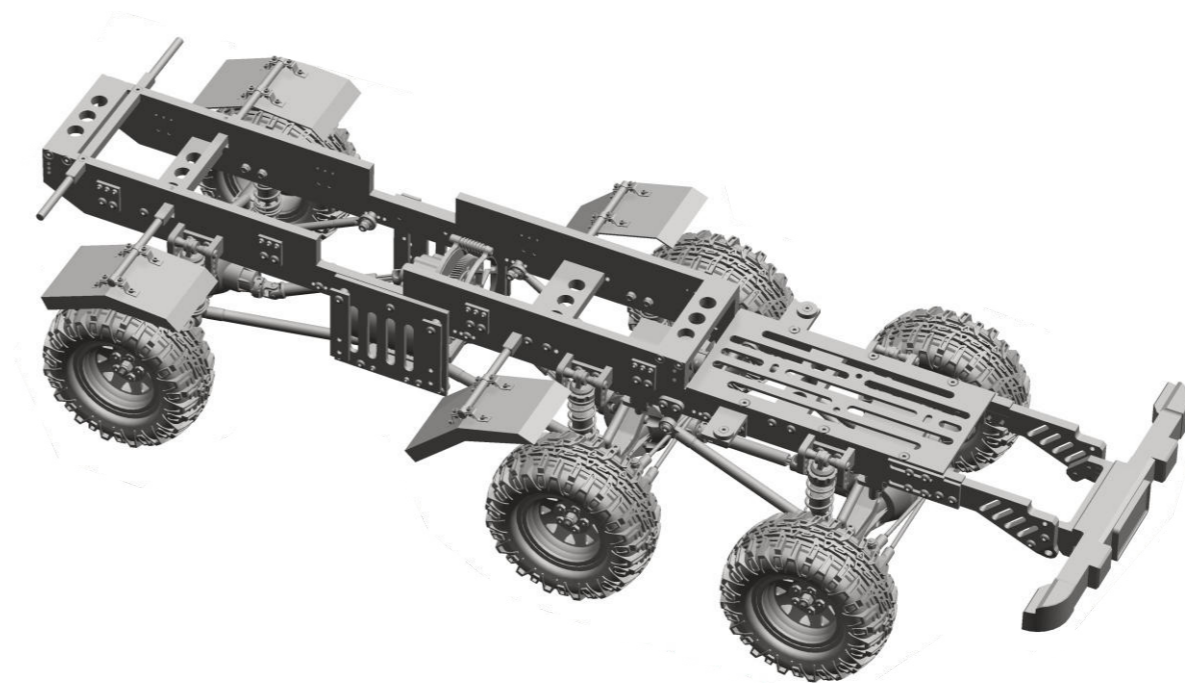
## 6x6 Off-Road Military Truck

LxWxH: 730x235x270mm

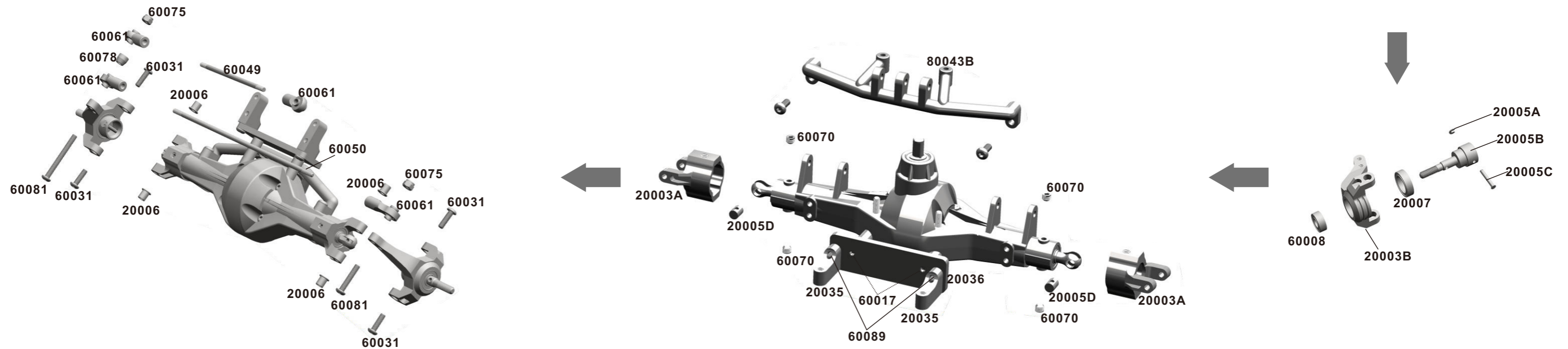
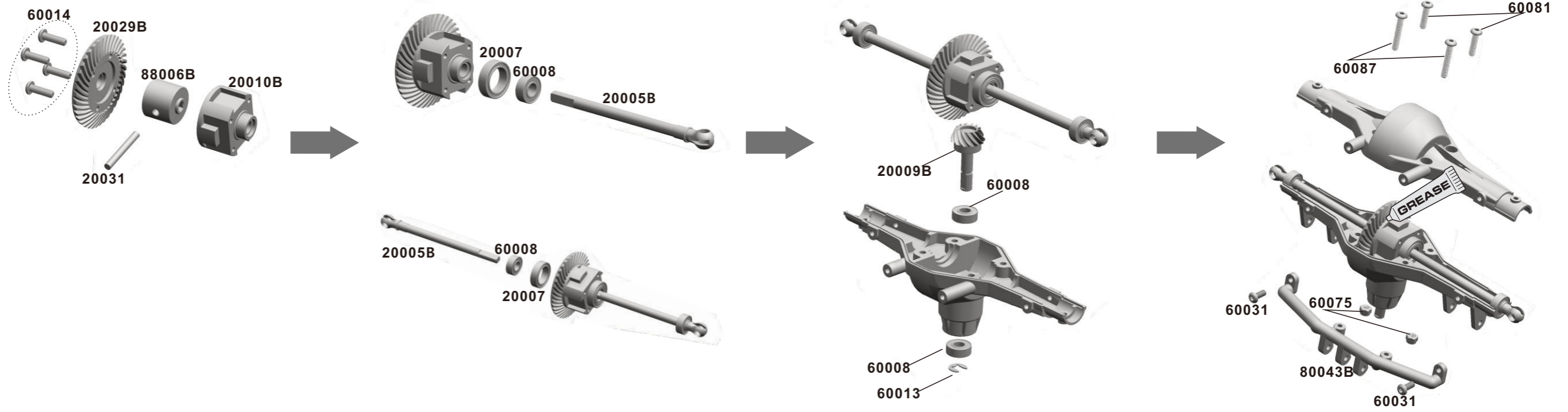
WheelBase: 580mm

Ground Clearance: 70mm

Gear Ratio: 1:33.4



# 1st. Axle Assem



**60014** x4  
M2x6mm

**20007** x4  
Bearing 10x15x4mm

**60008** x6  
Bearing 5x11x4mm

**20029B** x1  
Helical Bevel Gear 38T

**20009B** x1  
Helical Bevel Gear 13T

**60070** x4  
M4x4mm

**60013** x2  
E5.0 e-clip

**20031** x1  
Pin 2.9x22mm

**60075** x4  
M3 Nut

**20005A** x2  
E1.5 e-clip

**20005C** x2  
Pin 3x12mm

**20005D** x2  
Pin 4x6mm

**20006** x4  
Bushing 3x4.4x4.9

**60078** x1  
Bushing 3x6x5

**88006B** x1  
Gear Spacer

**20010B** x1  
Gear Housing

**20035** x2  
Servo Mount

**20036** x1  
Servo Plate

**20005B** x2  
Front wheel shaft

**20003A** x2  
Steering Hub Carrier

**20003B** x2  
Steering Hub

**20005B** x2  
Steering Drive Shaft

**60061** x4  
Linkage Rod Head

**60049** x1  
Linkage Shaft 63mm

**60050** x1  
Linkage Shaft 116mm

**80043B** x1  
Linkage Mount

**60017** x2  
Tm3x6mm

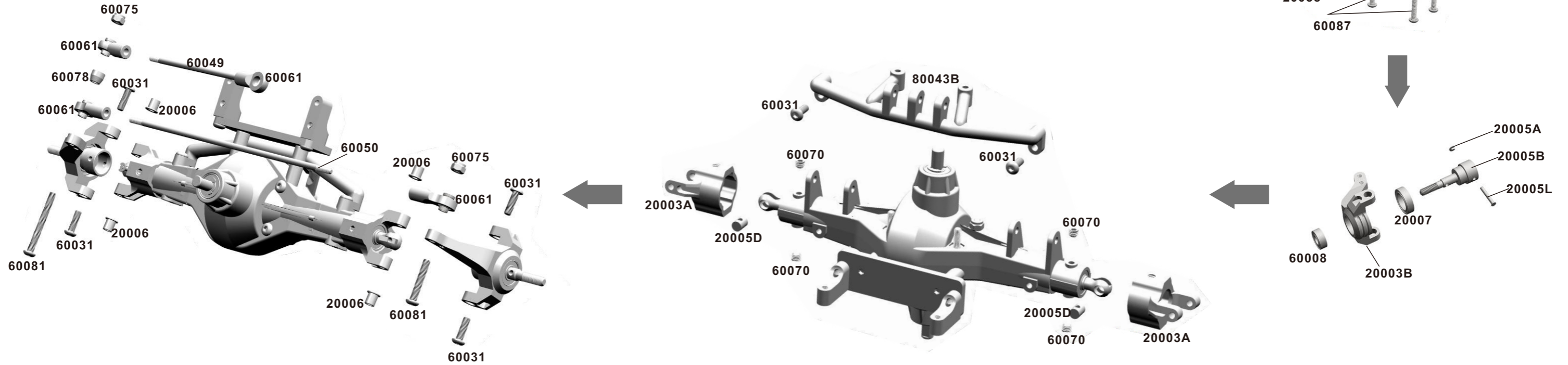
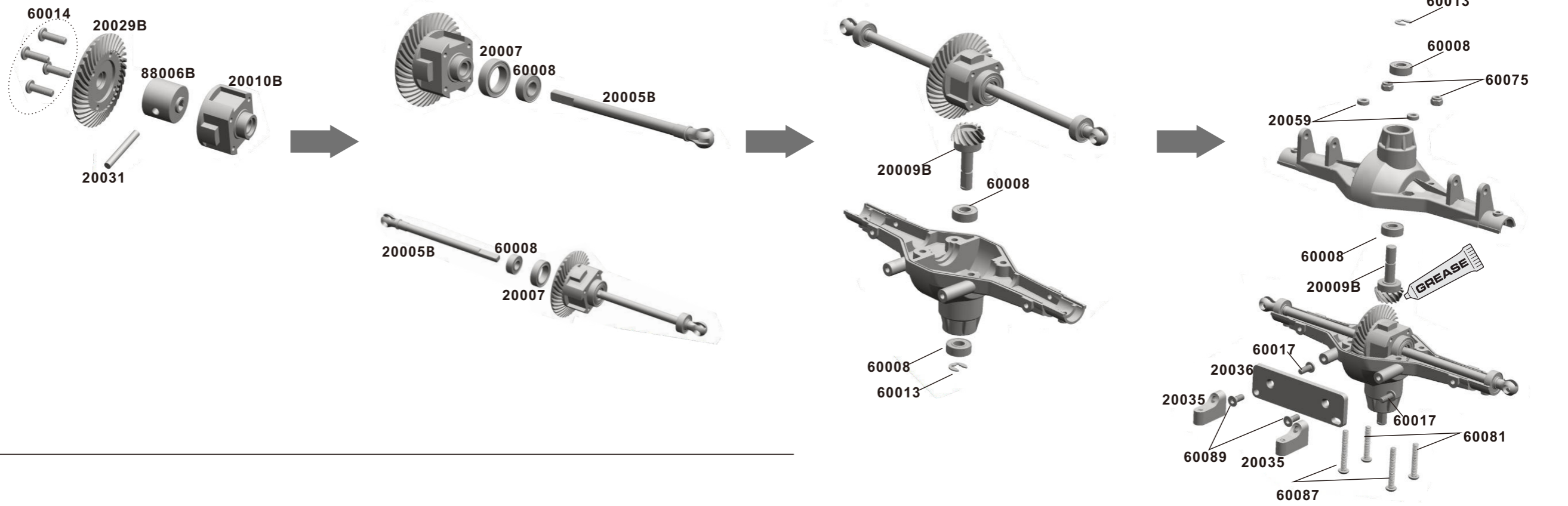
**60089** x2  
Fm3x6mm

**60031** x6  
Tm3x8mm

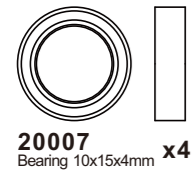
**60081** x4  
Tm3x18mm

**60087** x2  
Tm3x20mm

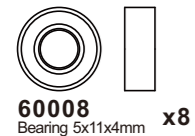
# 2nd. Axle Assem



**60014** x4  
M2x6mm



**20007** x4  
Bearing 10x15x4mm



**60008** x8  
Bearing 5x11x4mm



**20029B** x1  
Helical Bevel Gear 38T



**20009B** x2  
Helical Bevel Gear 13T

**60070** x4  
M4x4mm

**60013** x2  
E5.0 e-clip

**20031** x1  
Pin 2.9x22mm

**60075** x4  
M3 Nut

**20059** x2  
Washer 3x6x3

**20005A** x2  
E1.5 e-clip

**20005L** x2  
Pin 3x13mm

**20005D** x2  
Pin 4x6mm

**20006** x4  
Bushing 3x4.4x4.9

**60078** x1  
Bushing 3x6x5

**88006B** x1  
Gear Spacer

**20010B** x1  
Gear Housing

**20035** x2  
Servo Mount

**20036** x1  
Servo Plate

**20005B** x2  
Front wheel shaft

**20003A** x1  
Steering Hub Carrier

**20003B** x2  
Steering Hub

**20005B** x2  
Steering Drive Shaft

**60061** x4  
Linkage Rod Head

**60049** x1  
Linkage Shaft 63mm

**60050** x1  
Linkage Shaft 116mm

**80043B** x1  
Linkage Mount

**60017** x2  
Tm3x6mm

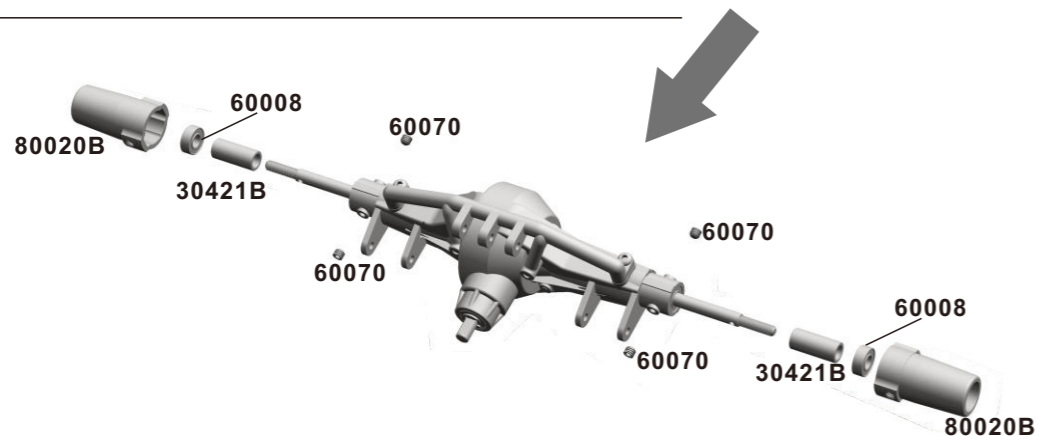
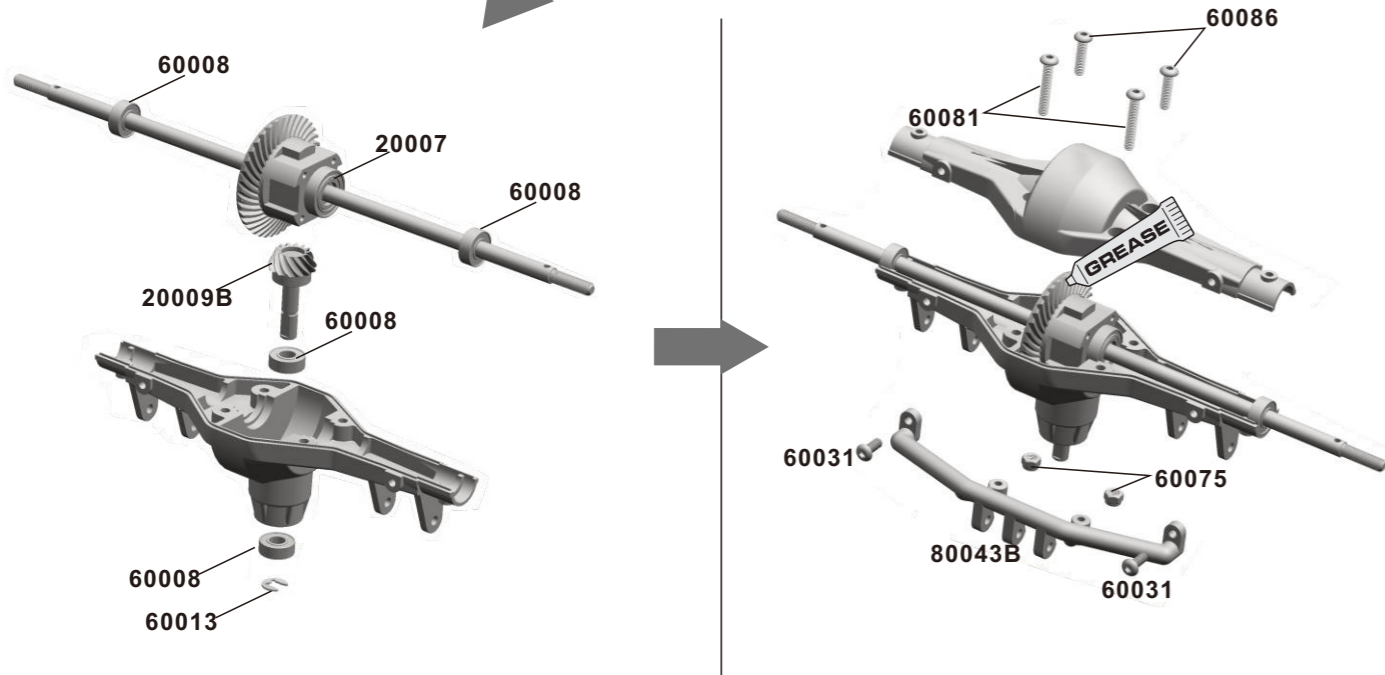
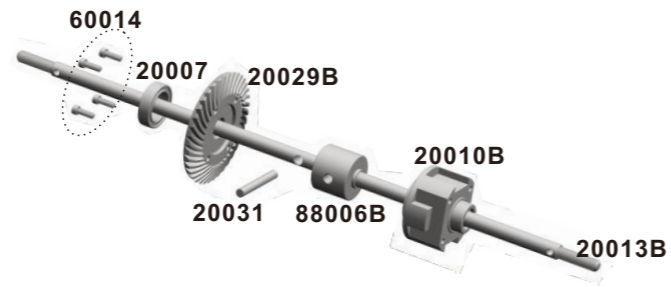
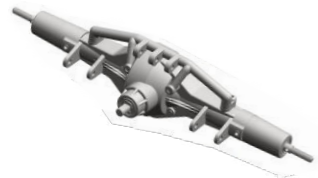
**60089** x2  
Tm3x6mm

**60031** x6  
Tm3x8mm

**60081** x4  
Tm3x18mm

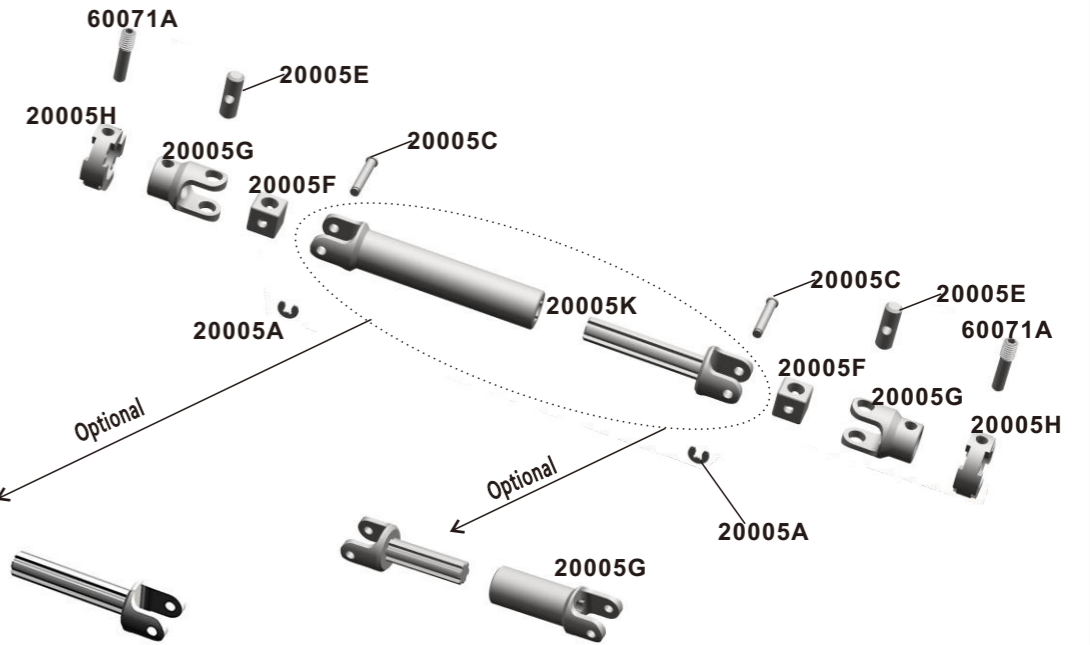
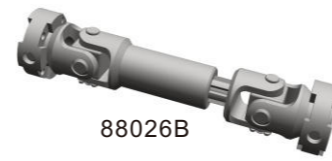
**60087** x2  
Tm3x20mm

### 3rd. Axle Assem



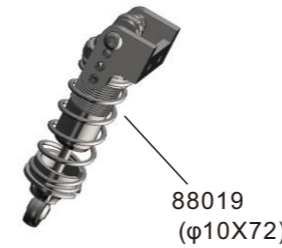
- |                                      |  |                                 |                                  |                                    |
|--------------------------------------|--|---------------------------------|----------------------------------|------------------------------------|
| <b>60014</b><br>M2x6mm x4            | <b>20029B</b><br>Helical Bevel Gear 38T x1 | <b>60070</b><br>M4x4mm x4       | <b>60075</b><br>M3 Nut x2        | <b>30421B</b><br>Bearing Spacer x2 |
| <b>20007</b><br>Bearing 10x15x4mm x2 | <b>20009B</b><br>Helical Bevel Gear 13T x1 | <b>60013</b><br>E5.0 e-clip x1  | <b>88006B</b><br>Gear Spacer x1  | <b>80020B</b><br>Rear Wheel Hub x2 |
| <b>60008</b><br>Bearing 5x11x4mm x6  | <b>20031</b><br>Pin 2.9x22mm x1            | <b>20031</b><br>Pin 2.9x22mm x1 | <b>20010B</b><br>Gear Housing x1 | <b>80043B</b><br>Linkage Mount x1  |
|                                      | <b>60086</b><br>Tm3x12mm x2                | <b>60081</b><br>Tm3x18mm x2     | <b>20013B</b><br>Stiff Shaft x1  |                                    |

### Universal Drive Shaft

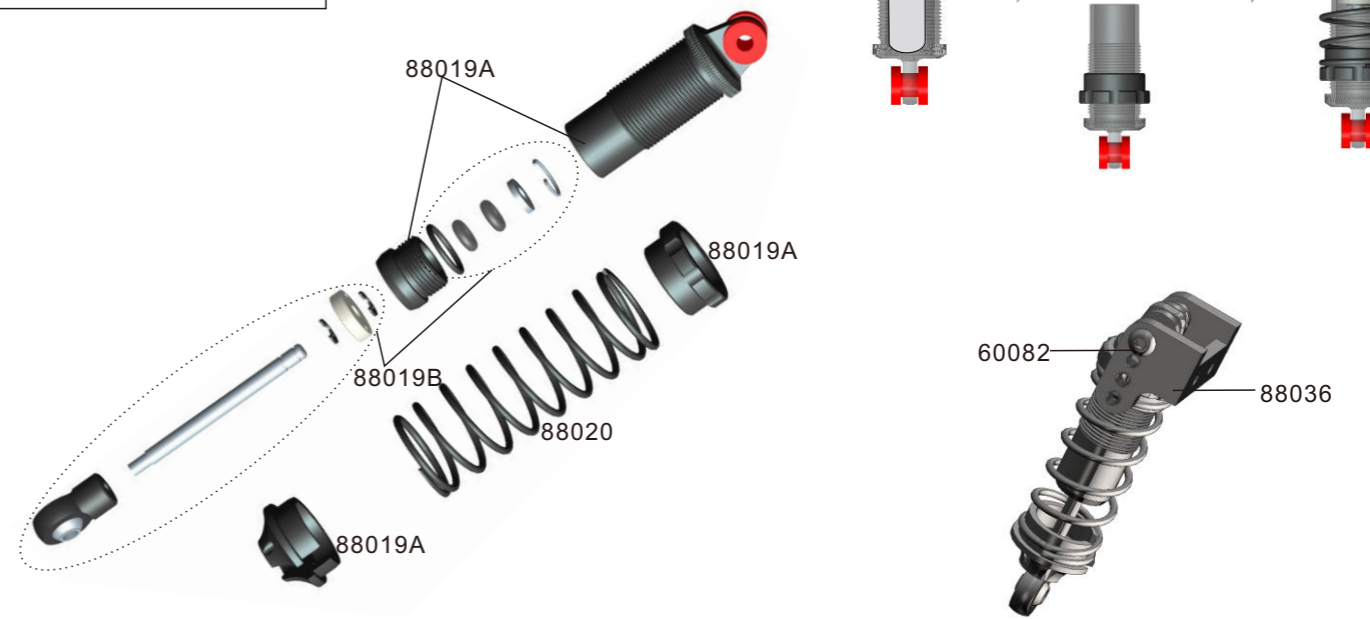
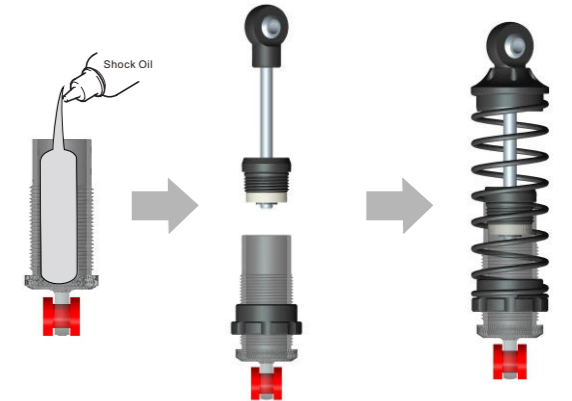


- |                                 |                                 |   |  |
|---------------------------------|---------------------------------|---|--|
| <b>20005A</b><br>E1.5 e-clip x2 | <b>20005E</b><br>Pin 3x10mm x2  | <b>20005G</b><br>Drive Shaft Carrier x2 | <b>60071A</b><br>Screw Shaft x2          |
| <b>20005C</b><br>Pin 3x12mm x2  | <b>20005F</b><br>Joint Block x2 | <b>20005H</b><br>Drive Shaft Hub x2     | <b>20005K</b><br>Drive Shaft Body Set x2 |

### Shock

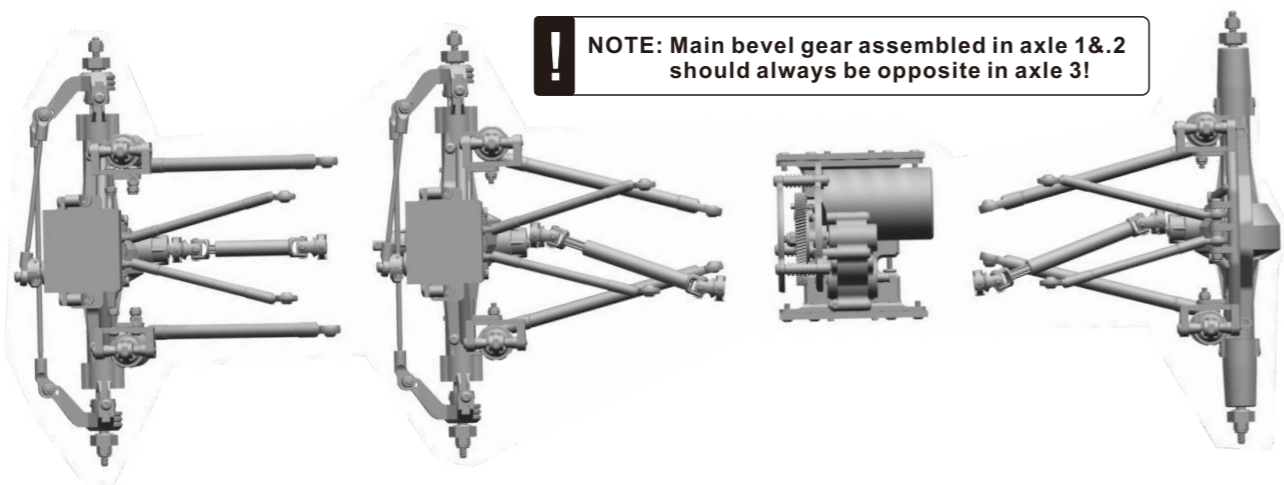


**NOTE:** Shock oil was not pre-injected in factory

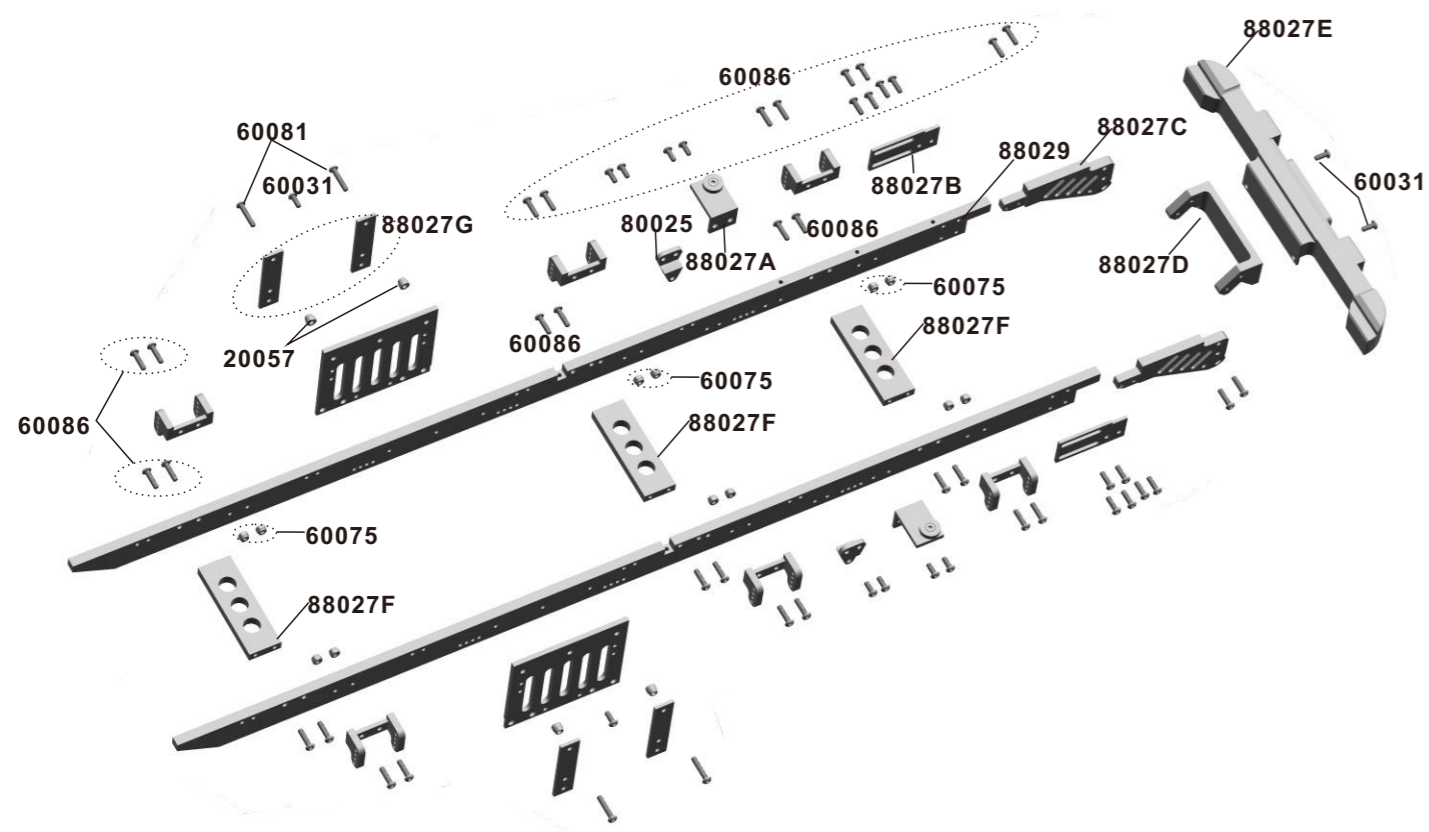


- |                             |                                |  |
|-----------------------------|--------------------------------|--|
| <b>60082</b><br>Tm3x30mm x1 | <b>88036</b><br>Shock Mount x1 | <b>88020</b><br>Shock Spring φ 1.3xφ15X48 x1 |
|-----------------------------|--------------------------------|--|

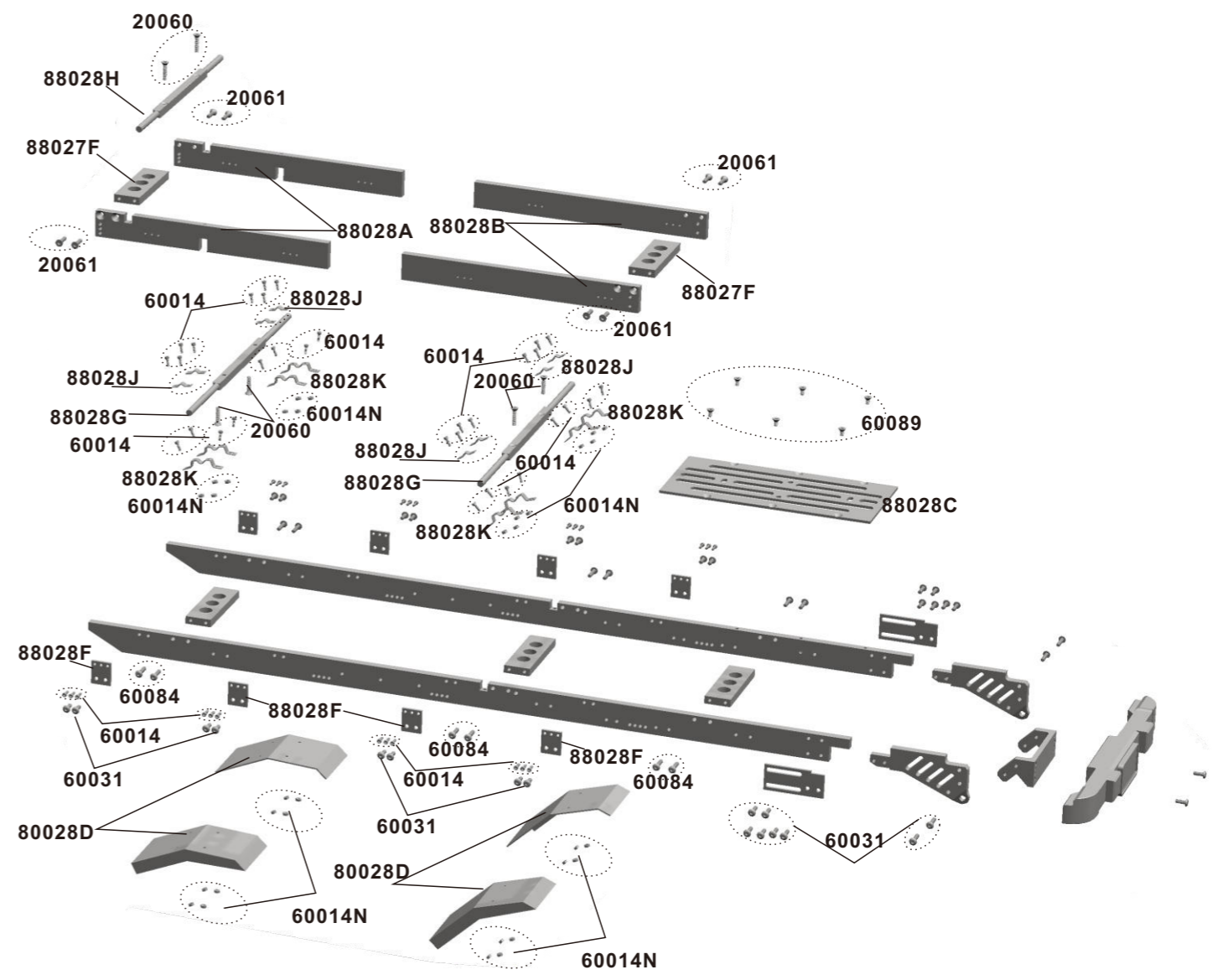





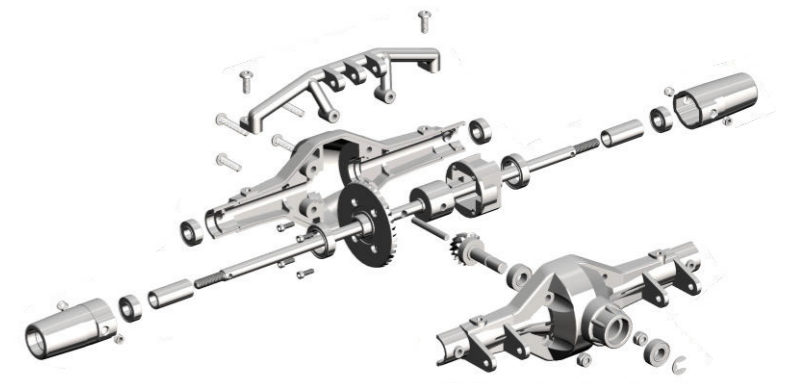
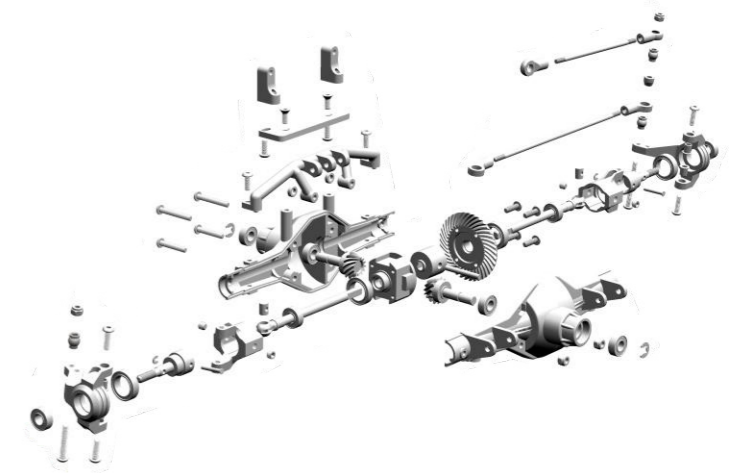
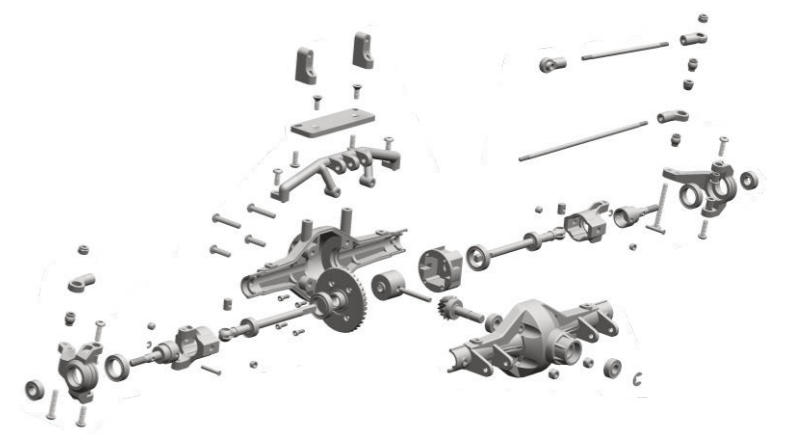
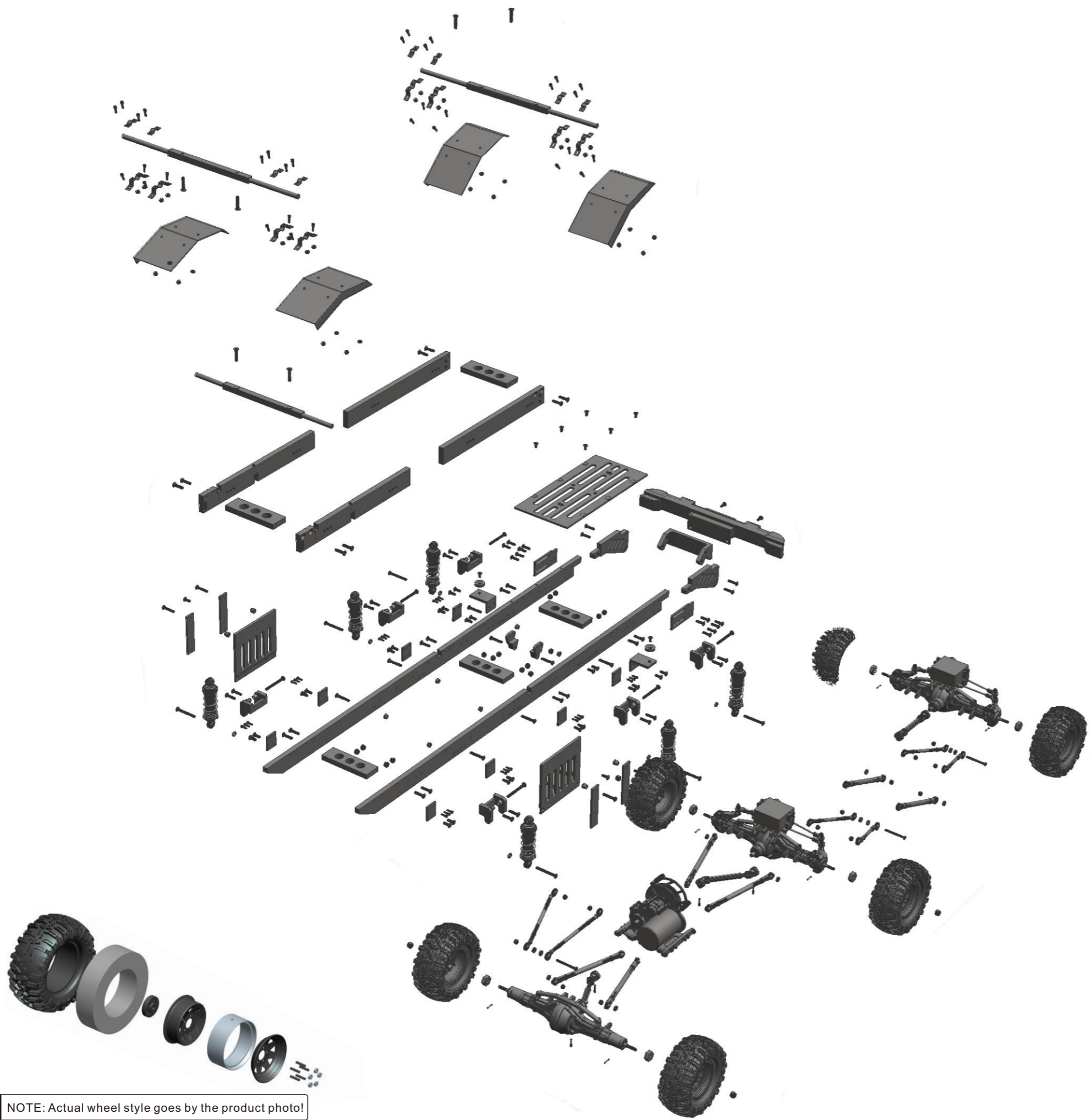
**NOTE:** Main bevel gear assembled in axle 1&2 should always be opposite in axle 3!



-  **60031** x4  
Tm3x8mm
-  **60075** x12  
M3 Nut
-  **80027C** x2  
Bumper Side Mount
-  **80027G** x4  
Upper Frame support
-  **80027E** x1  
Front Bumper
-  **60086** x48  
Tm3x12mm
-  **80027A** x2  
Body Mount
-  **80027D** x1  
Bumper Mount
-  **88025** x2  
Linkage Mount
-  **80027F** x4  
Central Joint Plate
-  **60081** x4  
Tm3x18mm
-  **80027B** x2  
Side Joint Plate



-  **60089** x6  
Fm3x6mm
-  **60014N** x32  
M2 Nut
-  **80027F** x2  
Central Joint Plate
-  **20061** x8  
Fm3x10mm
-  **80028J** x8  
Shaft Holder A
-  **80028F** x8  
Side Joint Plate
-  **20060** x4  
Fm3x12mm
-  **80028K** x4  
Shaft Holder B
-  **80028G** x2  
Fender Shaft
-  **60014** x56  
M2x6mm
-  **80028A** x2  
Upper Side Plate A
-  **80028H** x1  
Upper Frame Shaft
-  **60031** x16  
Tm3x8mm
-  **80028B** x2  
Upper Side Plate B
-  **80028D** x1  
Front Fender
-  **60084** x12  
Tm3x16mm
-  **80028C** x1  
Battery Plate



NOTE: Actual wheel style goes by the product photo!