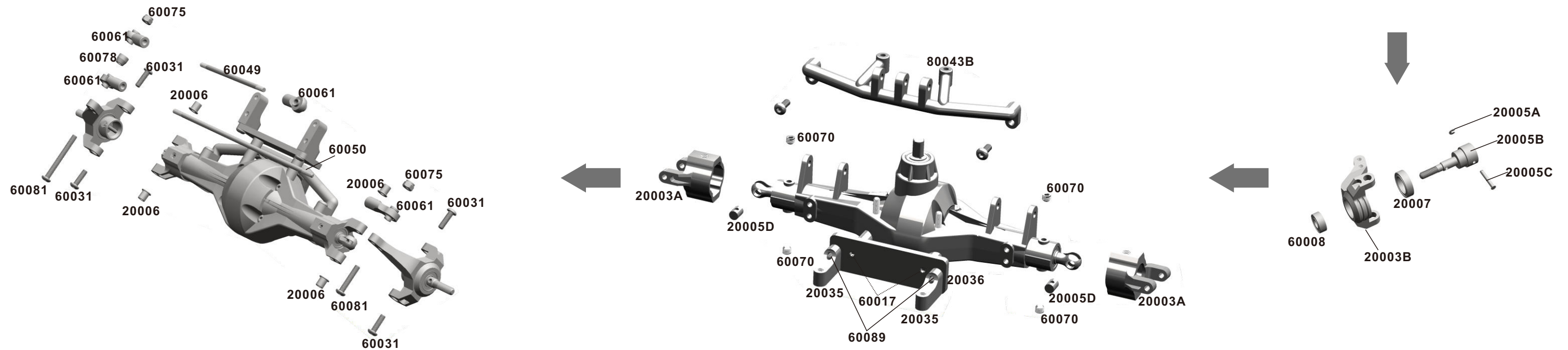
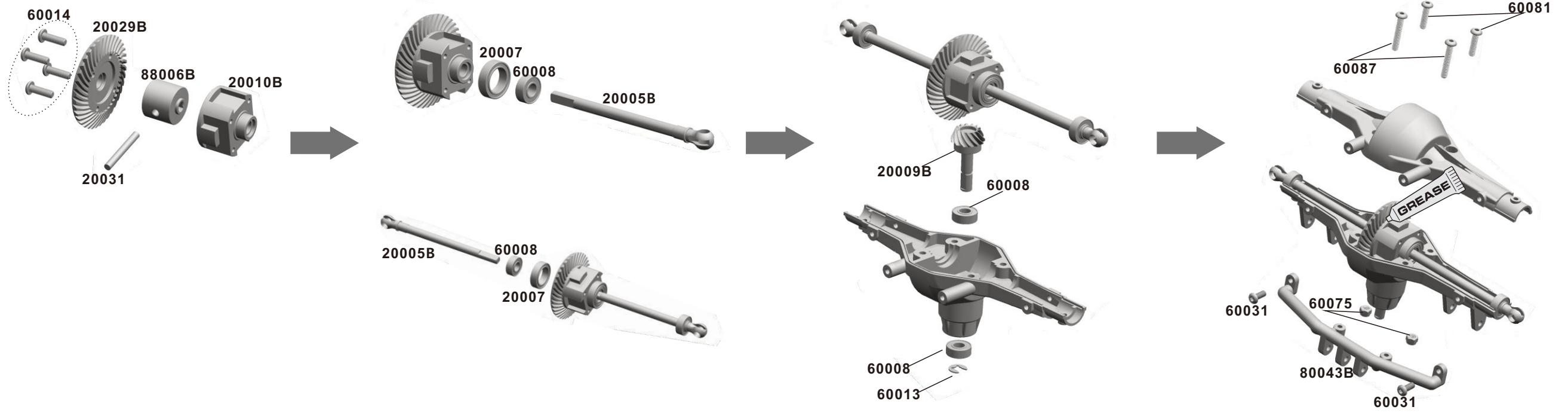
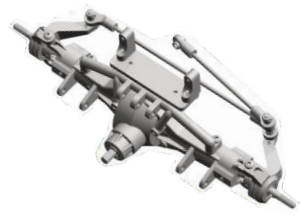


# 1st. Axle Assem



**60014** x4  
M2x6mm

**20007** x4  
Bearing 10x15x4mm

**60008** x6  
Bearing 5x11x4mm

**20029B** x1  
Helical Bevel Gear 38T

**20009B** x1  
Helical Bevel Gear 13T

**60070** x4  
M4x4mm

**60013** x2  
E5.0 e-clip

**20031** x1  
Pin 2.9x22mm

**60075** x4  
M3 Nut

**20005A** x2  
E1.5 e-clip

**20005C** x2  
Pin 3x12mm

**20005D** x2  
Pin 4x6mm

**20006** x4  
Bushing 3x4.4x4.9

**60078** x1  
Bushing 3x6x5

**88006B** x1  
Gear Spacer

**20010B** x1  
Gear Housing

**20035** x2  
Servo Mount

**20036** x1  
Servo Plate

**20005B** x2  
Front wheel shaft

**20003A** x2  
Steering Hub Carrier

**20003B** x2  
Steering Hub

**20005B** x2  
Steering Drive Shaft

**60061** x4  
Linkage Rod Head

**60049** x1  
Linkage Shaft 63mm

**60050** x1  
Linkage Shaft 116mm

**80043B** x1  
Linkage Mount

**60017** x2  
Tm3x6mm

**60089** x2  
Fm3x6mm

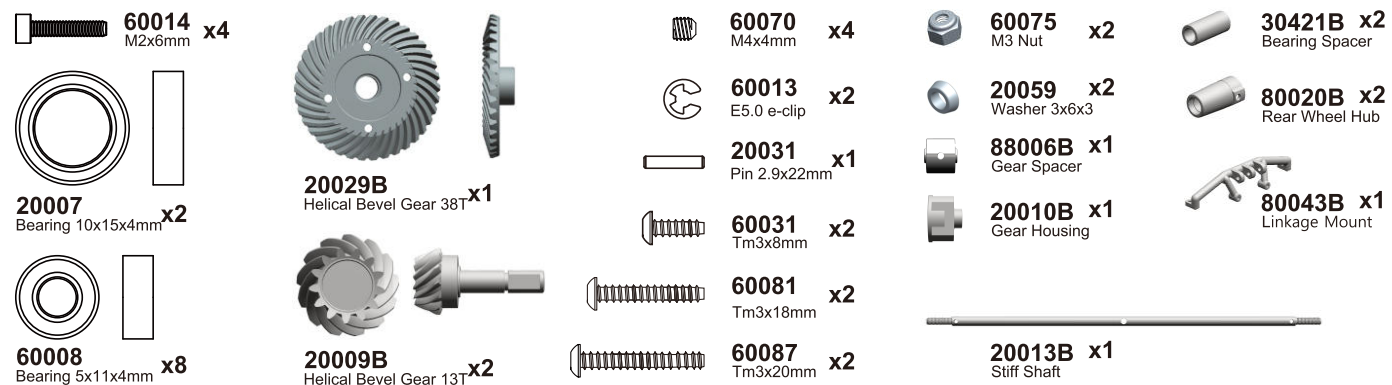
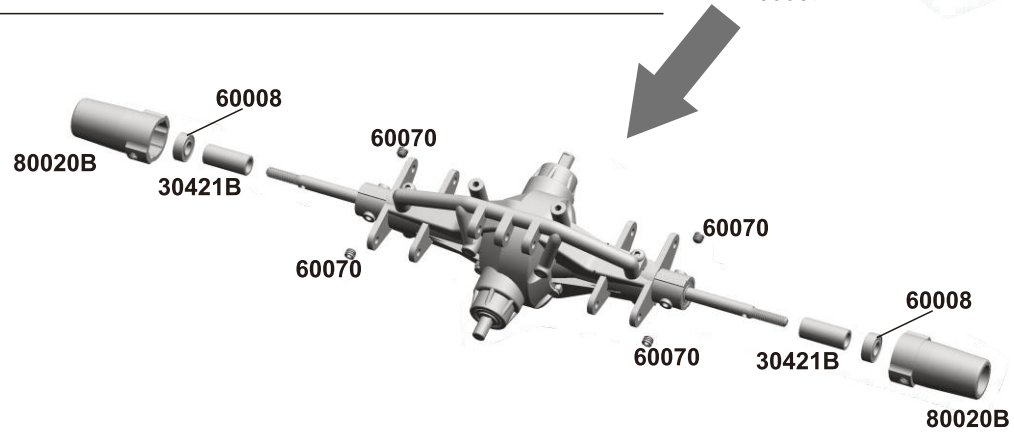
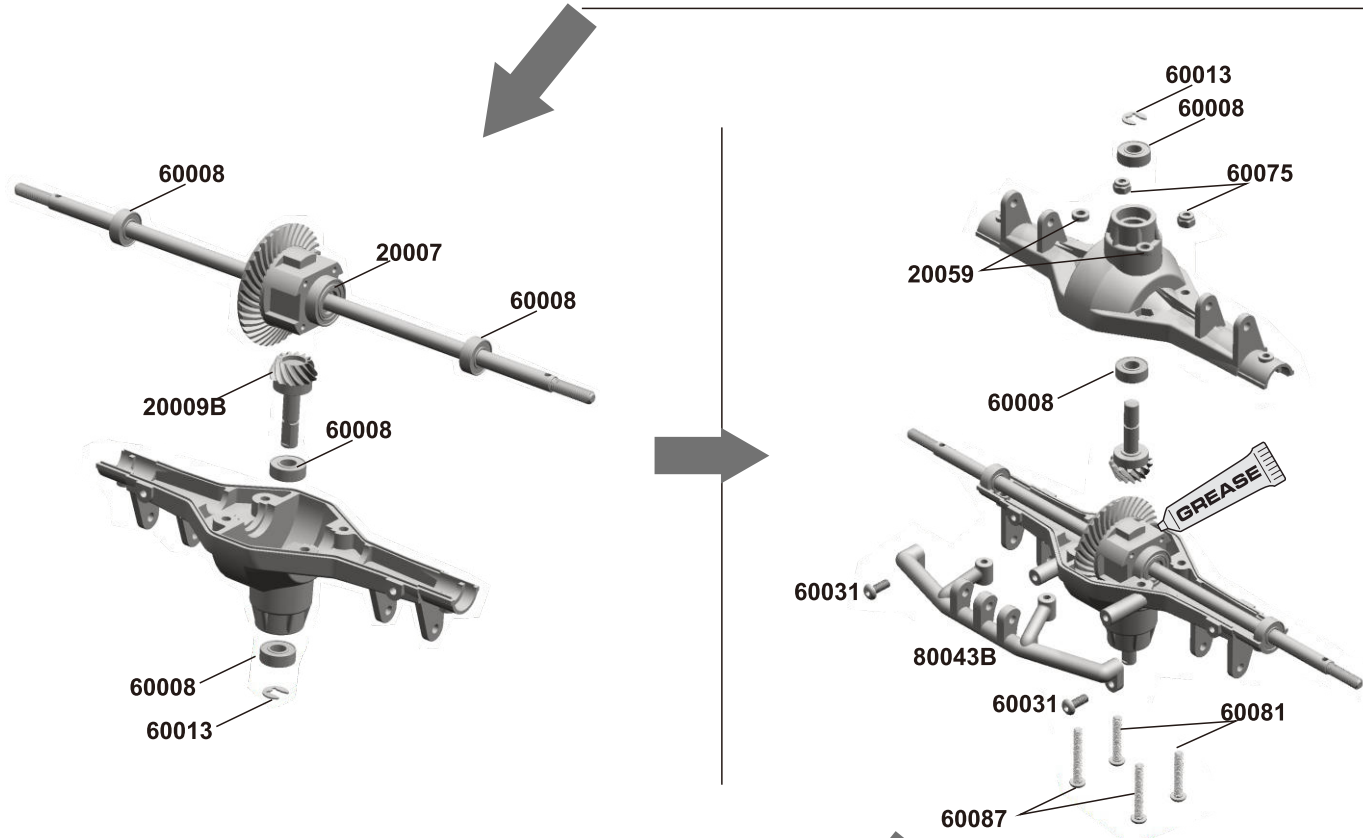
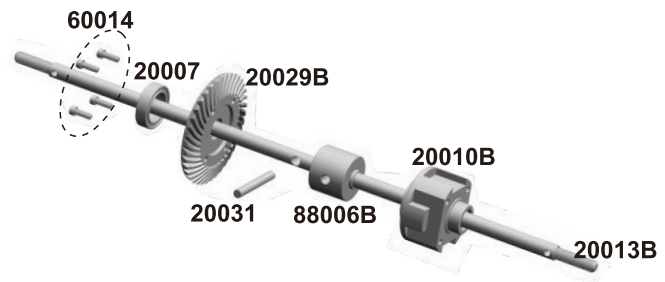
**60031** x6  
Tm3x8mm

**60081** x4  
Tm3x18mm

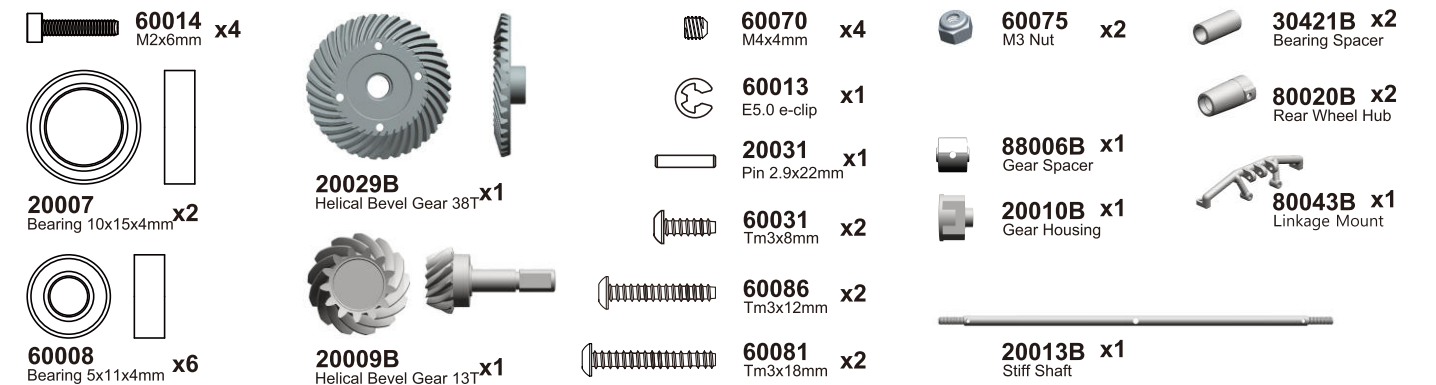
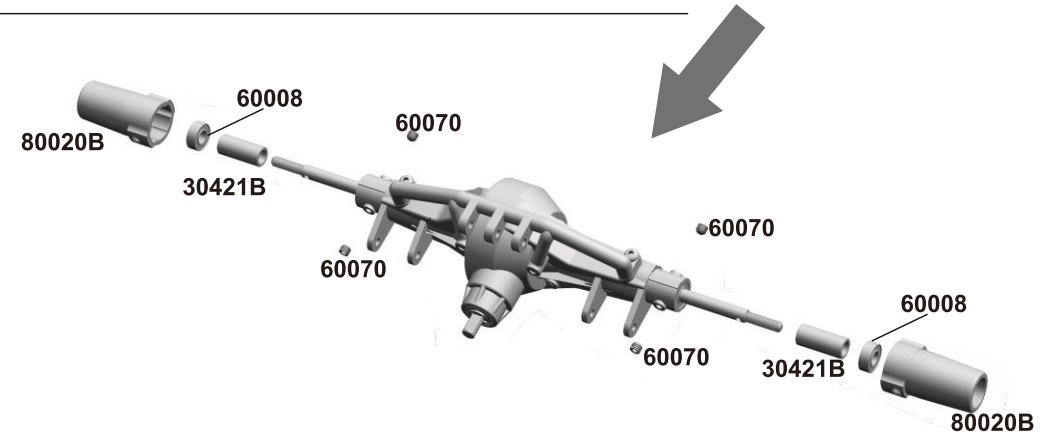
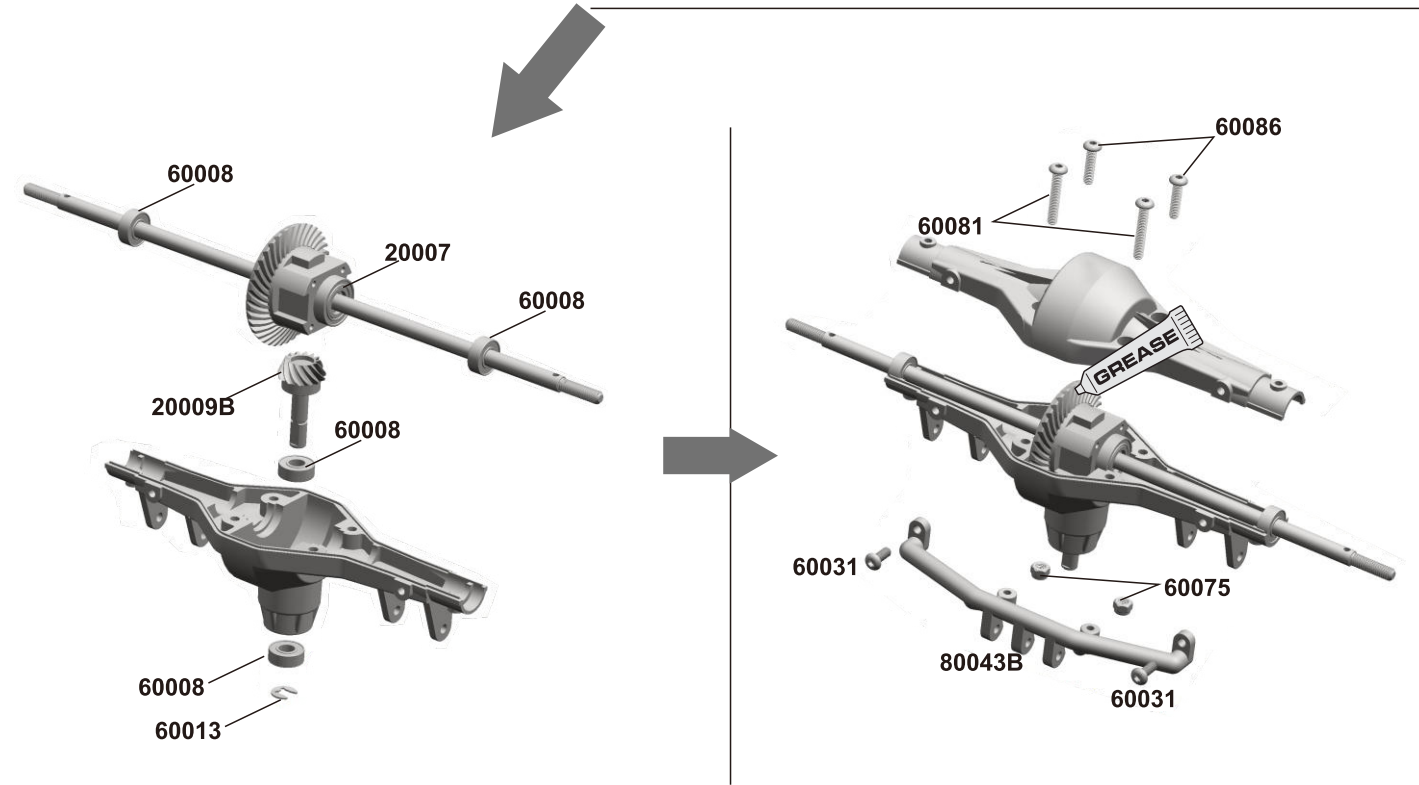
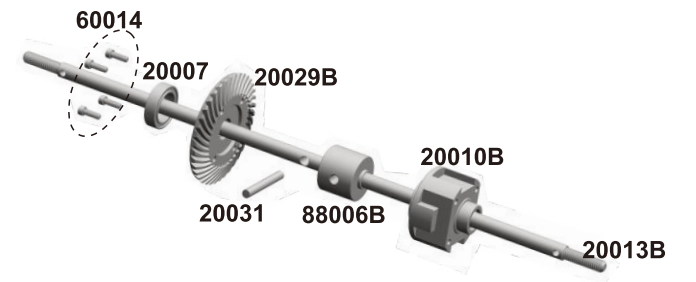
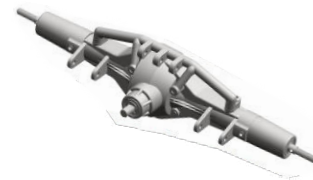
**60087** x2  
Tm3x20mm



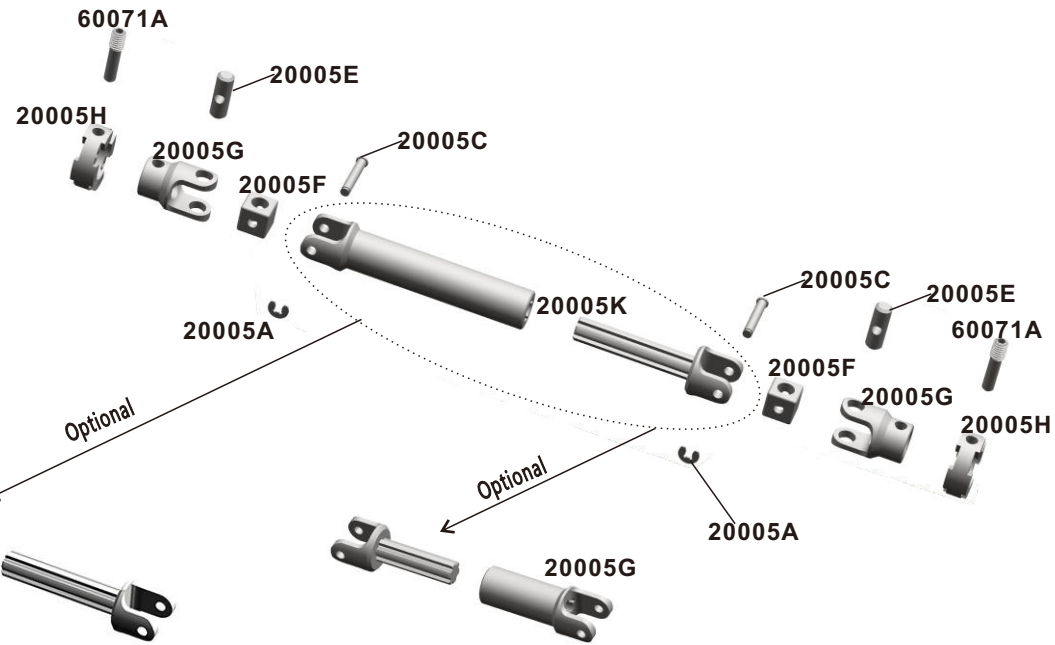
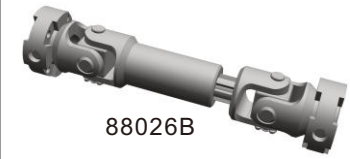
## 2nd. Axle Assem



## 3rd. Axle Assem

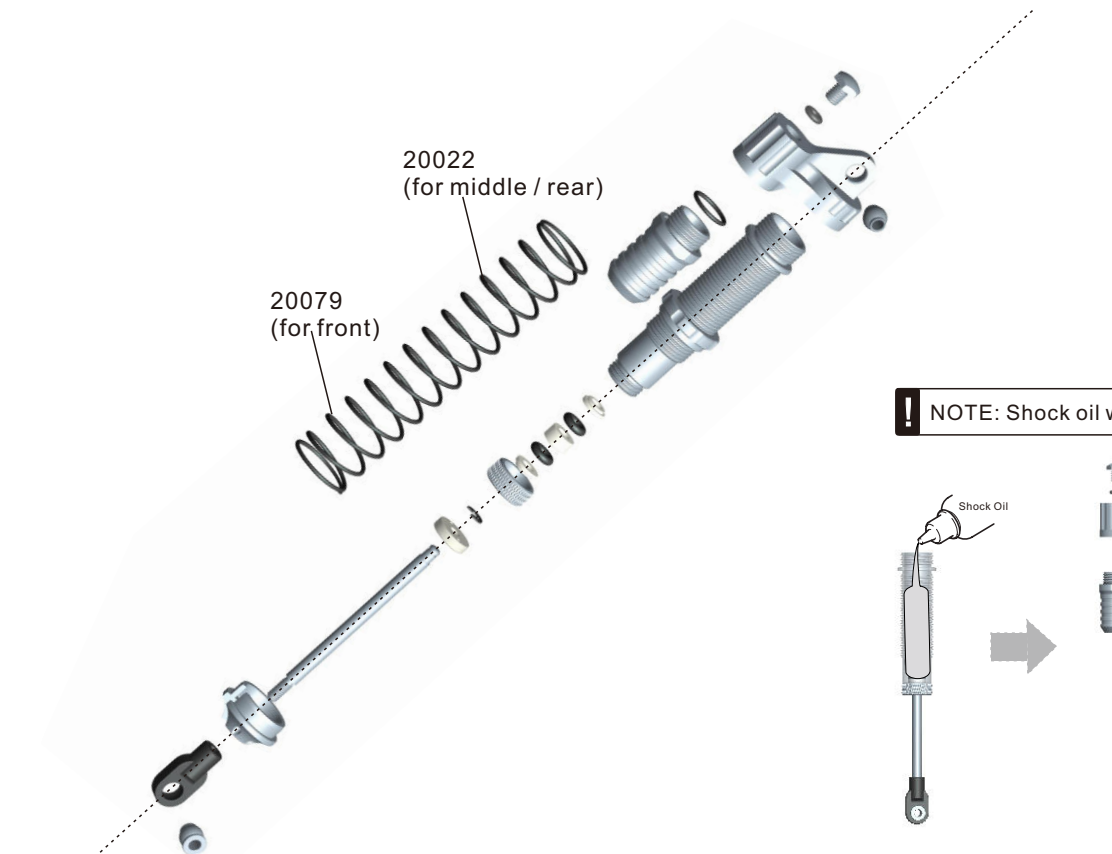


# Universal Drive Shaft

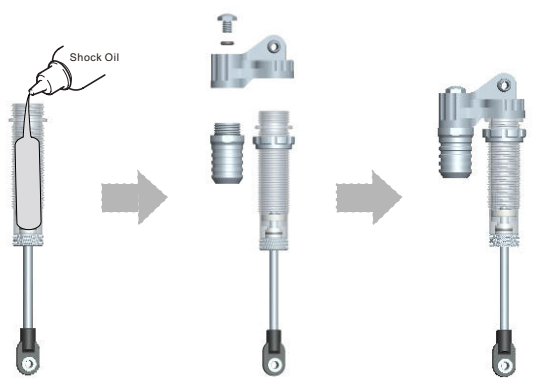


- 20005A x2**  
E1.5 e-clip
- 20005E x2**  
Pin 3x10mm
- 20005G x2**  
Drive Shaft Carrier
- 60071A x2**  
Screw Shaft
- 20005C x2**  
Pin 3x12mm
- 20005F x2**  
Joint Block
- 20005H x2**  
Drive Shaft Hub
- 20005K x2**  
Drive Shaft Body Set

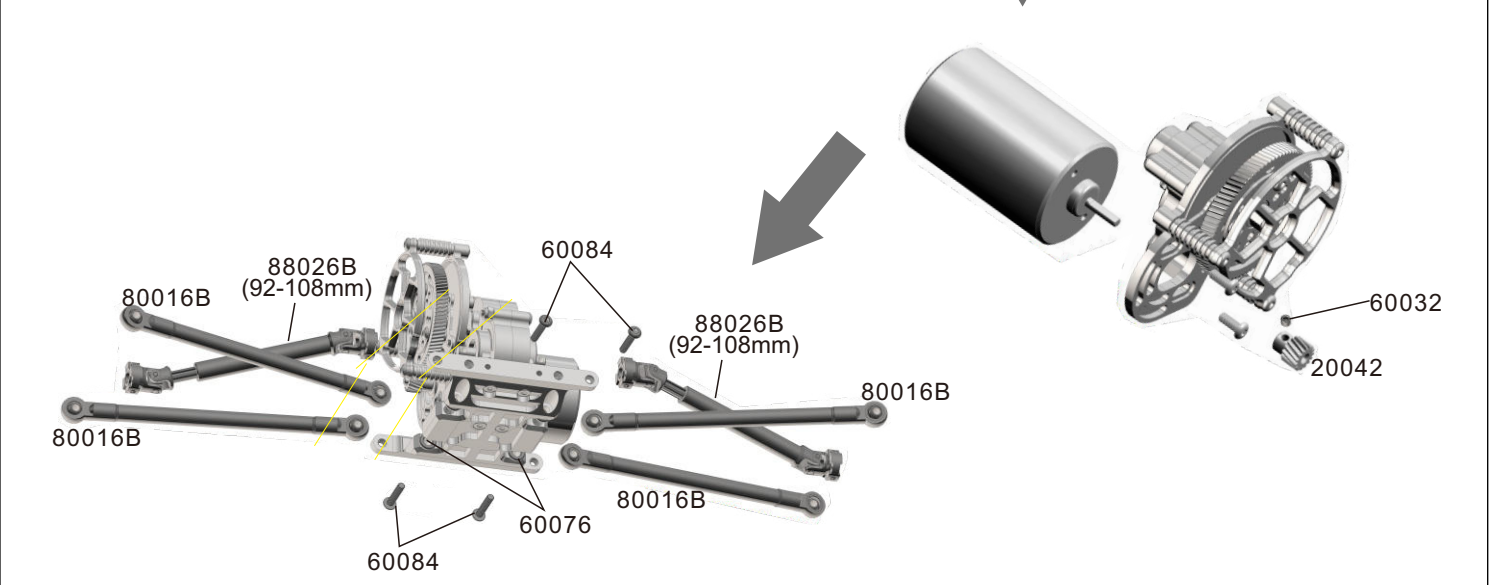
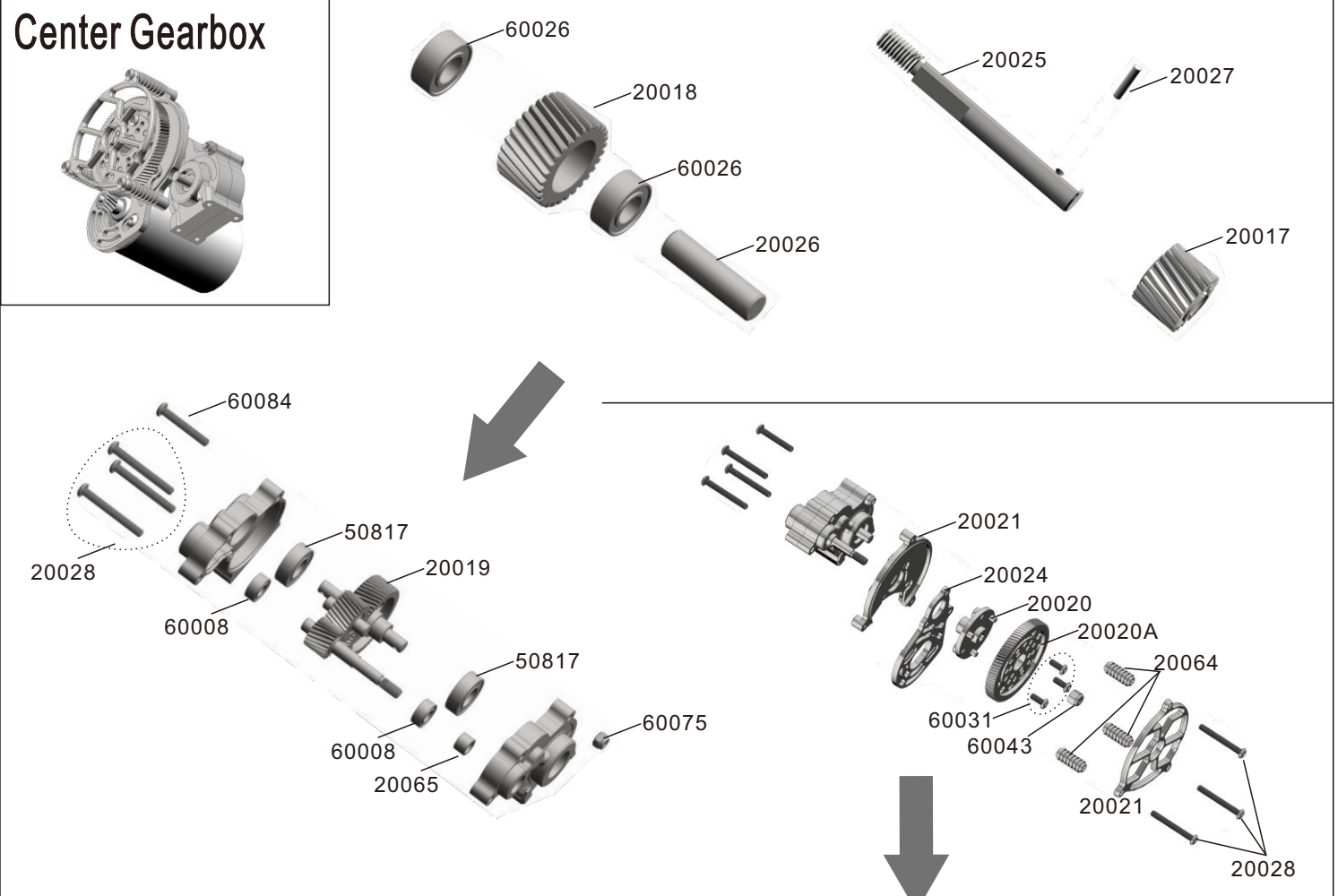
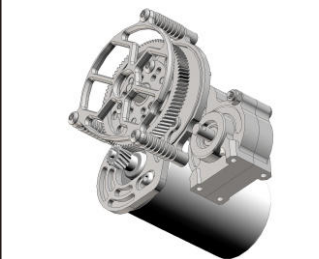
# 4.Shock A (φ10\*114mm)



**NOTE: Shock oil was not pre-injected in factory**

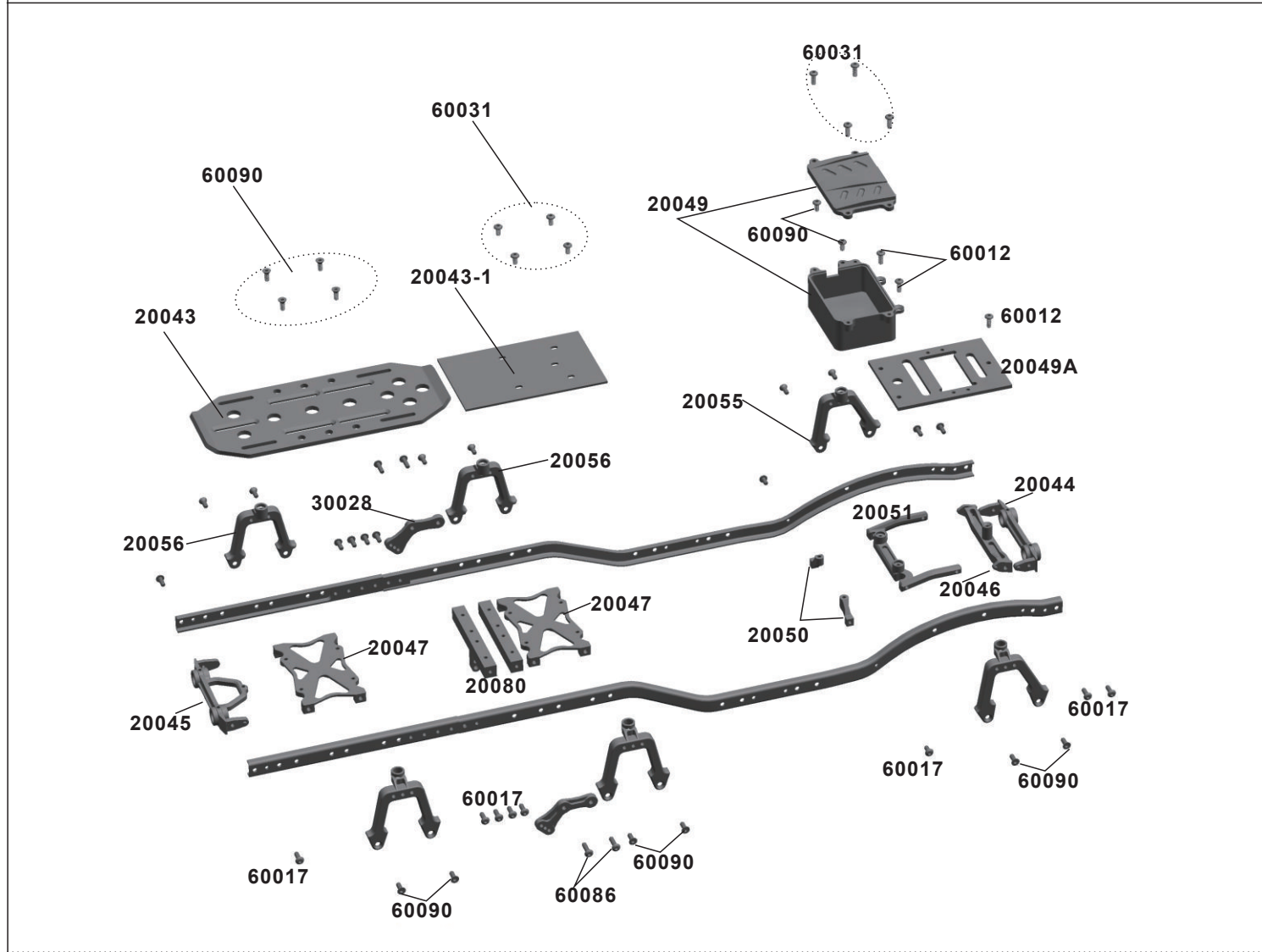
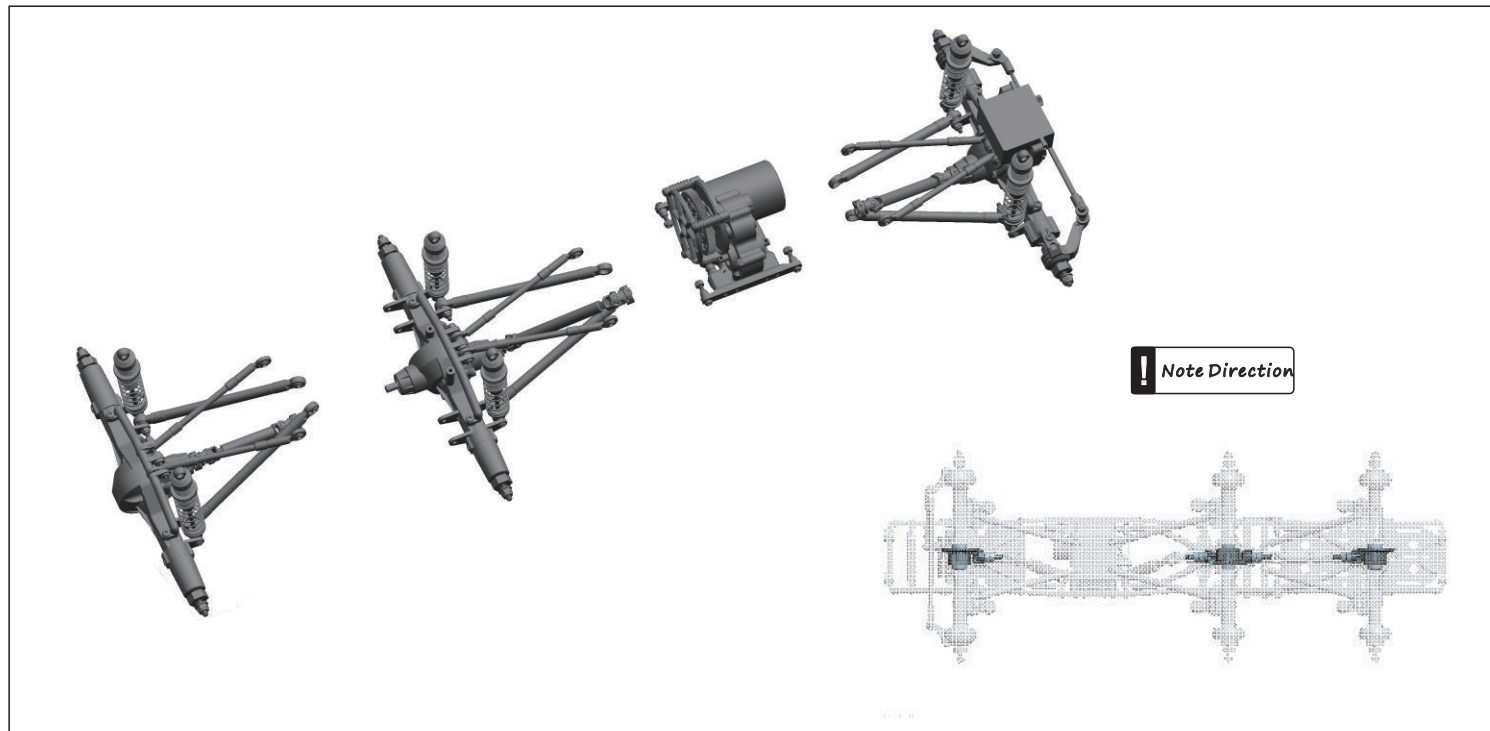


















# Center Gearbox



- 60026 x2**  
Bearing 5x10x4mm
- 20026 x1**  
Pin 5x18mm
- 20027 x1**  
Pin 1.5x7mm
- 20065 x1**  
Bushing φ5X7X4.6
- 60075 x1**  
M3 Nut
- 60043 x1**  
M4 Nut
- 60032 x1**  
M3x3mm
- 20025 x1**  
21T Gear Shaft
- 20017 x1**  
Helical Gear 21T-L
- 20018 x1**  
Helical Gear 25T-R
- 20019 x1**  
Helical Gear 56T-L
- 20020A x1**  
Helical Gear 56T-L
- 20020 x1**  
Gear Plate
- 20064 x3**  
Bushing φ3X6.5X16
- 20042 x1**  
Bevel Pinion 15T-R
- 20021 x1**  
Gear Housing
- 20024 x1**  
Mount Mount
- 80016B x4**  
Linkage A
- 88026B x2**  
92-108mm
- 20054 x1**  
Gearbox Base Mount
- 20028 x6**  
Tm3x26mm
- 60084 x5**  
Tm3x16mm
- 60031 x7**  
Tm3x8mm
- 60017 x3**  
Tm3x6mm
- 60014B x4**  
M2.5x8mm
- 20060 x2**  
Fm3x12mm
- 20061 x2**  
Fm3x10mm





 <b>60031</b> x8 Tm3x8mm	 <b>60090</b> x18 Fm3x8mm	 <b>20044</b> x1 F. Bumper Mount	 <b>20044</b> x1 F. Bumper Mount	 <b>20043</b> x1 Battery Mount
 <b>60017</b> x16 Tm3x6mm	 <b>20055</b> x1 F. Shock Slay	 <b>20046</b> x1 Chassis Support	 <b>20046</b> x1 Chassis Support	 <b>20049</b> x1 RX Box
 <b>60012</b> x3 Tm3x10mm	 <b>20056</b> x2 R. Shock Slay	 <b>20051</b> x1 RX Box Mount B	 <b>20051</b> x1 RX Box Mount B	 <b>20048</b> x1 Main Frame
 <b>60086</b> x4 Tm3x12mm				

