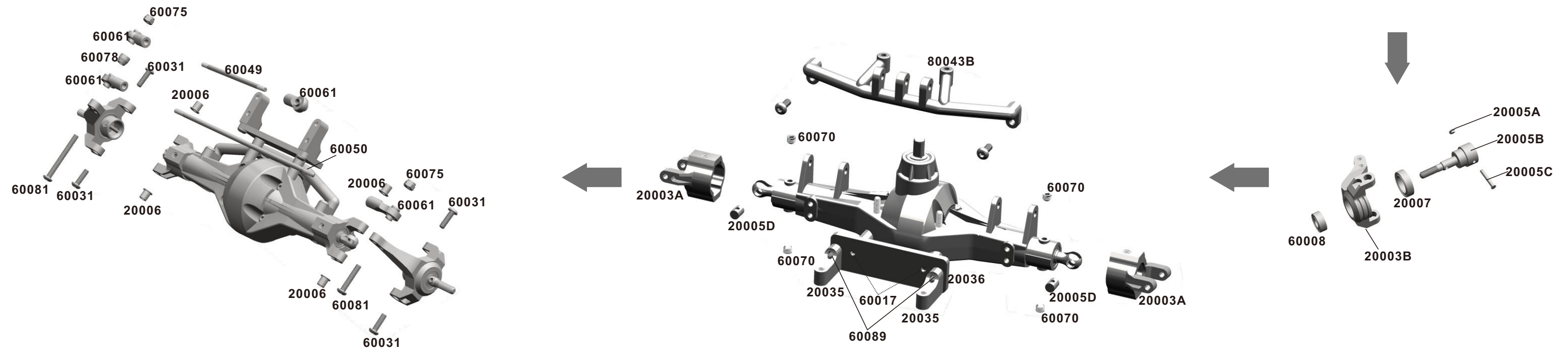
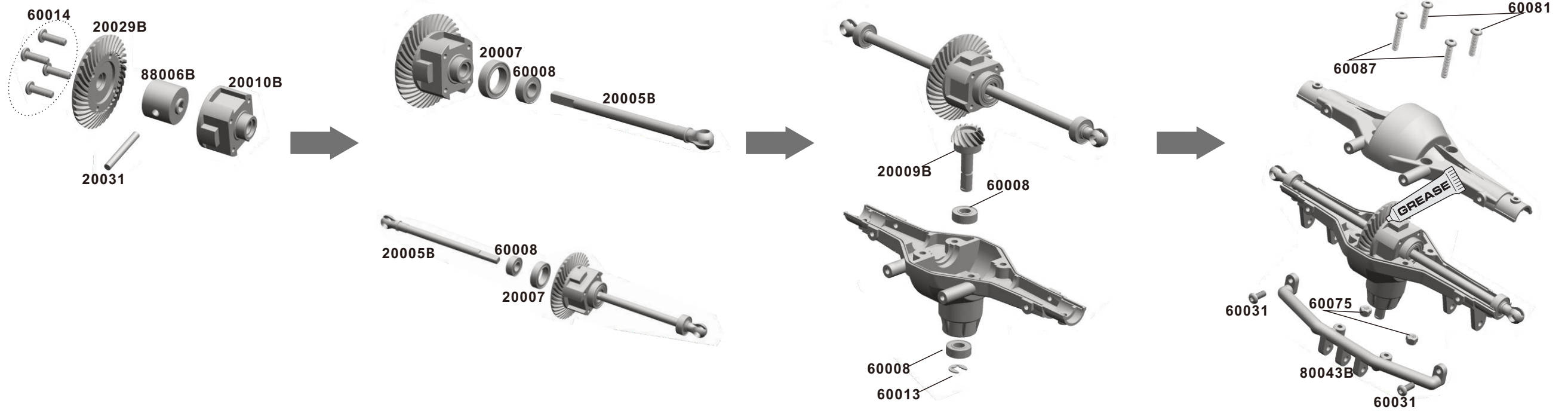


# FR Axle Assem



**60014** x4  
M2x6mm

**20007** x4  
Bearing 10x15x4mm

**60008** x6  
Bearing 5x11x4mm

**20029B** x1  
Helical Bevel Gear 38T

**20009B** x1  
Helical Bevel Gear 13T

**60070** x4  
M4x4mm

**60013** x2  
E5.0 e-clip

**20031** x1  
Pin 2.9x22mm

**60075** x4  
M3 Nut

**20005A** x2  
E1.5 e-clip

**20005C** x2  
Pin 3x12mm

**20005D** x2  
Pin 4x6mm

**20006** x4  
Bushing 3x4.4x4.9

**60078** x1  
Bushing 3x6x5

**88006B** x1  
Gear Spacer

**20010B** x1  
Gear Housing

**20035** x2  
Servo Mount

**20036** x1  
Servo Plate

**20005B** x2  
Front wheel shaft

**20003A** x2  
Steering Hub Carrier

**20003B** x2  
Steering Hub

**20005B** x2  
Steering Drive Shaft

**60061** x4  
Linkage Rod Head

**60049** x1  
Linkage Shaft 63mm

**60050** x1  
Linkage Shaft 116mm

**80043B** x1  
Linkage Mount

**60017** x2  
Tm3x6mm

**60089** x2  
Fm3x6mm

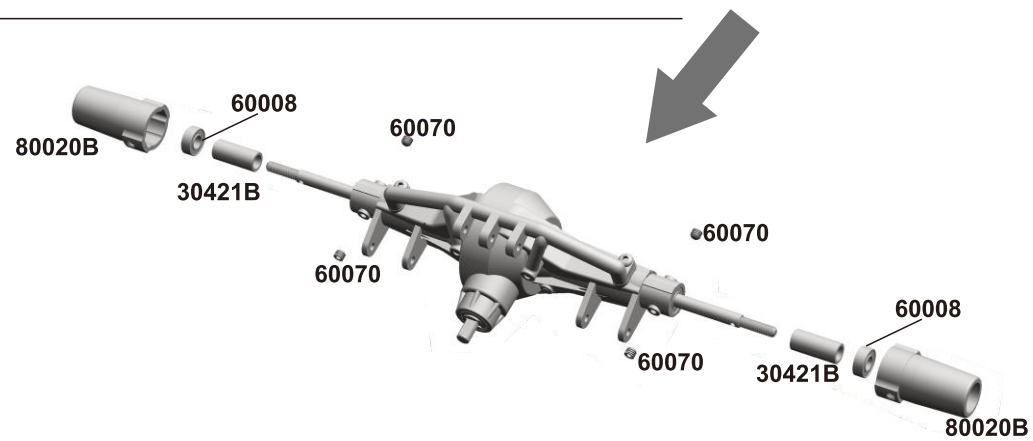
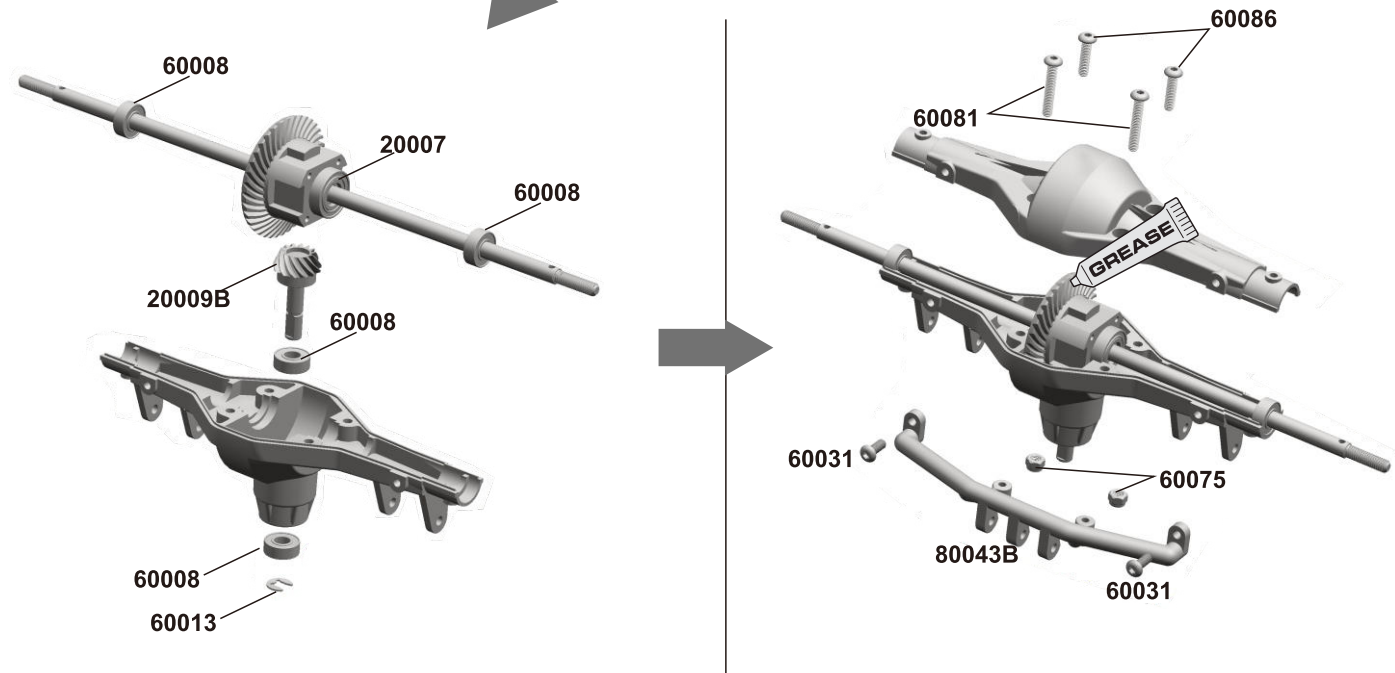
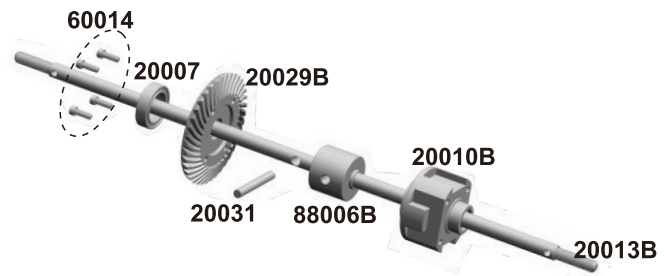
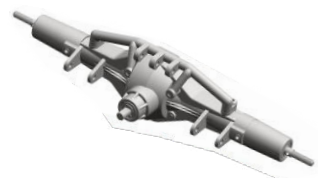
**60031** x6  
Tm3x8mm

**60081** x4  
Tm3x18mm

**60087** x2  
Tm3x20mm

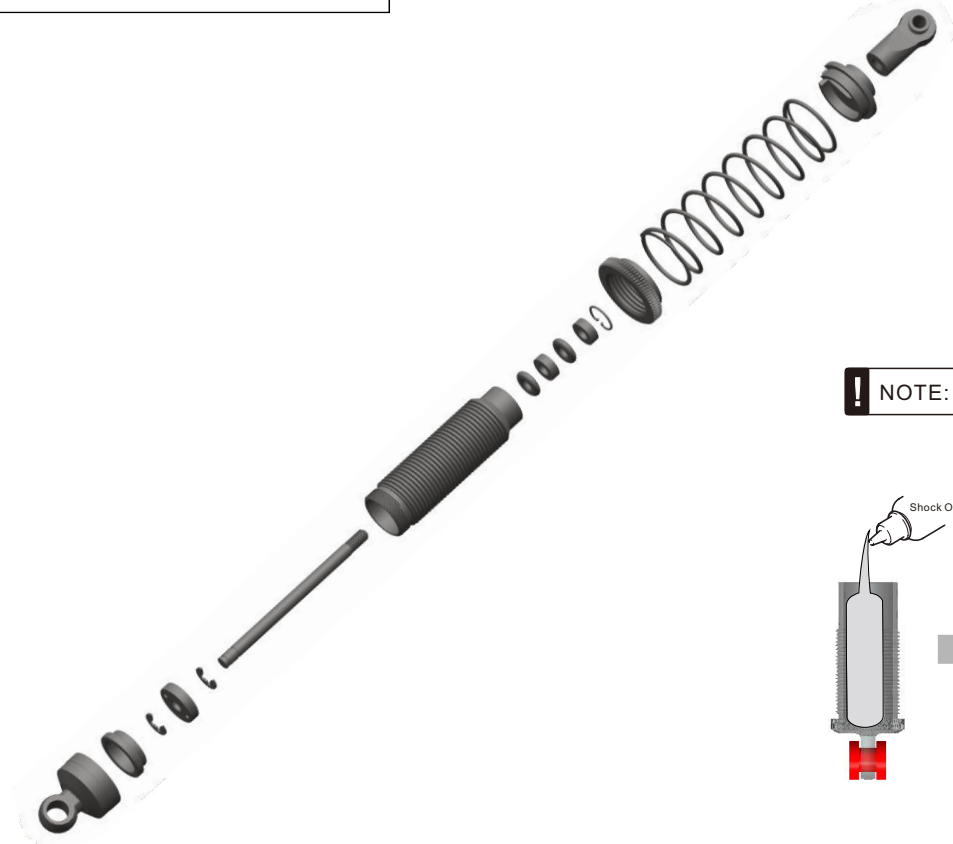


# Rear Axle Assem

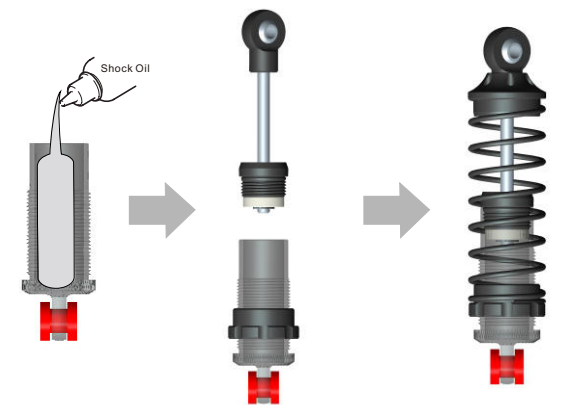


- |                                      |  |  |                                 |                                 |                                    |
|--------------------------------------|--|--|---------------------------------|---------------------------------|------------------------------------|
| <b>60014</b> x4<br>M2x6mm            | <b>20029B</b> x1<br>Helical Bevel Gear 38T | <b>20009B</b> x1<br>Helical Bevel Gear 13T | <b>60070</b> x4<br>M4x4mm       | <b>60075</b> x2<br>M3 Nut       | <b>80020B</b> x2<br>Rear Wheel Hub |
| <b>20007</b> x2<br>Bearing 10x15x4mm | <b>60013</b> x1<br>E5.0 e-clip             | <b>20031</b> x1<br>Pin 2.9x22mm            | <b>60031</b> x2<br>Pin 3x8mm    | <b>88006B</b> x1<br>Gear Spacer | <b>80043B</b> x1<br>Linkage Mount  |
| <b>60008</b> x6<br>Bearing 5x11x4mm  | <b>60086</b> x2<br>Pin 3x12mm              | <b>60081</b> x2<br>Pin 3x18mm              | <b>20013B</b> x1<br>Stiff Shaft |                                 |                                    |

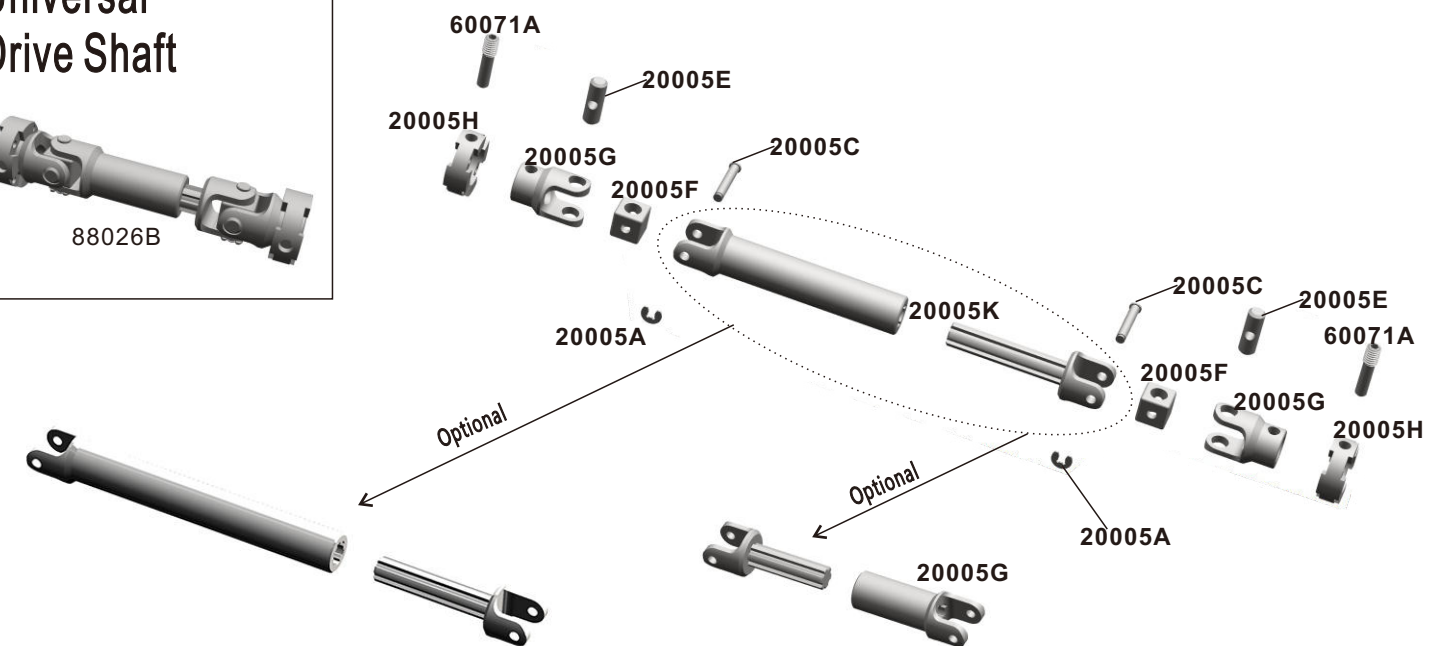
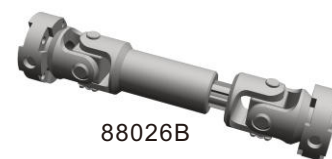
# 7.Shock (φ10\*90mm)



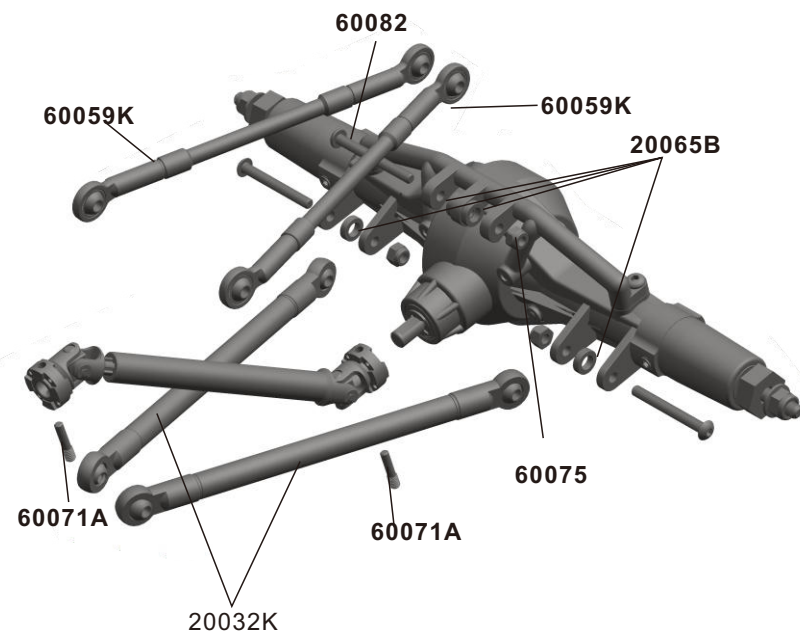
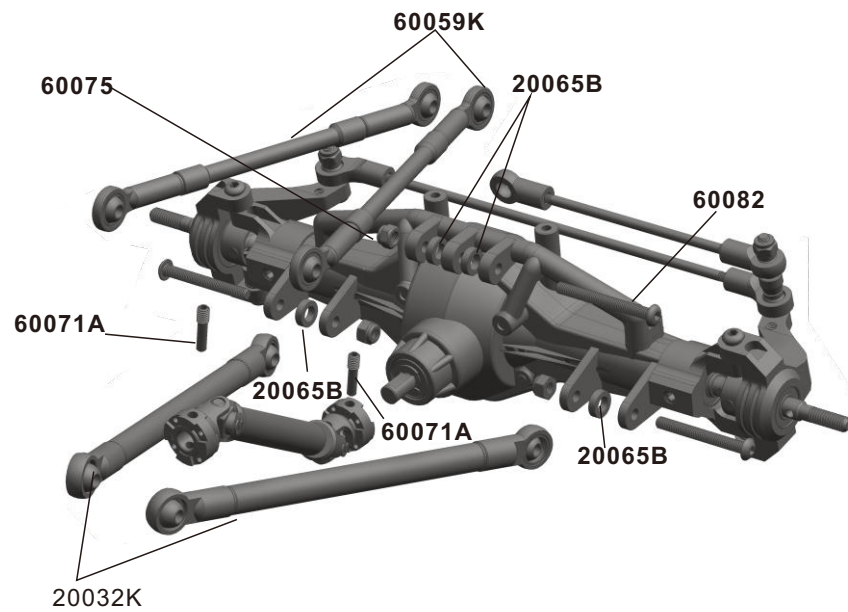
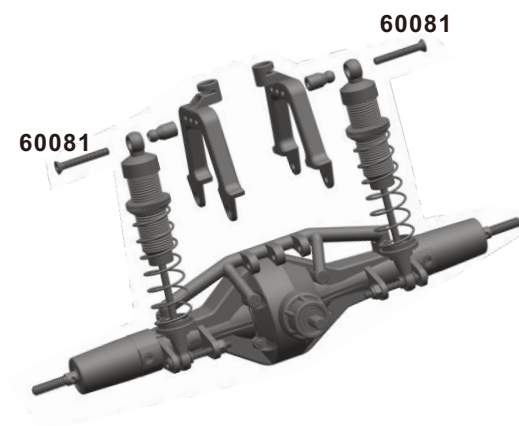
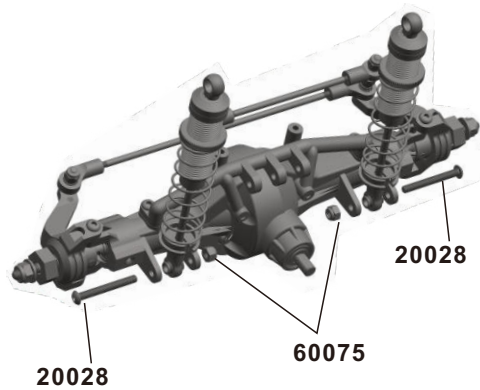
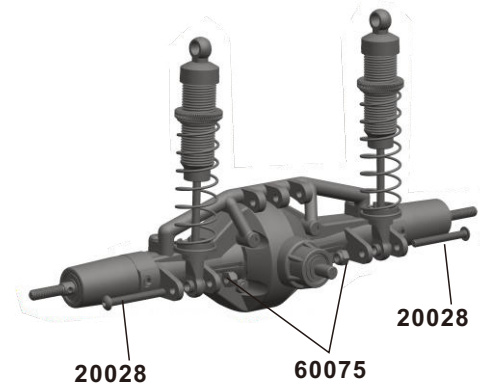
NOTE: Shock oil was not pre-injected in factory



# Universal Drive Shaft



- |                                 |                                 |   |  |
|---------------------------------|---------------------------------|---|--|
| <b>20005A</b> x2<br>E1.5 e-clip | <b>20005E</b> x2<br>Pin 3x10mm  | <b>20005G</b> x2<br>Drive Shaft Carrier | <b>60071A</b> x2<br>Screw Shaft          |
| <b>20005C</b> x2<br>Pin 3x12mm  | <b>20005F</b> x2<br>Joint Block | <b>20005H</b> x2<br>Drive Shaft Hub     | <b>20005K</b> x2<br>Drive Shaft Body Set |



**60082** x2  
Tm3x30mm

**20028** x4  
Tm3x26mm

**60081** x4  
Tm3x18mm

**60071A** x4  
Screw Shaft

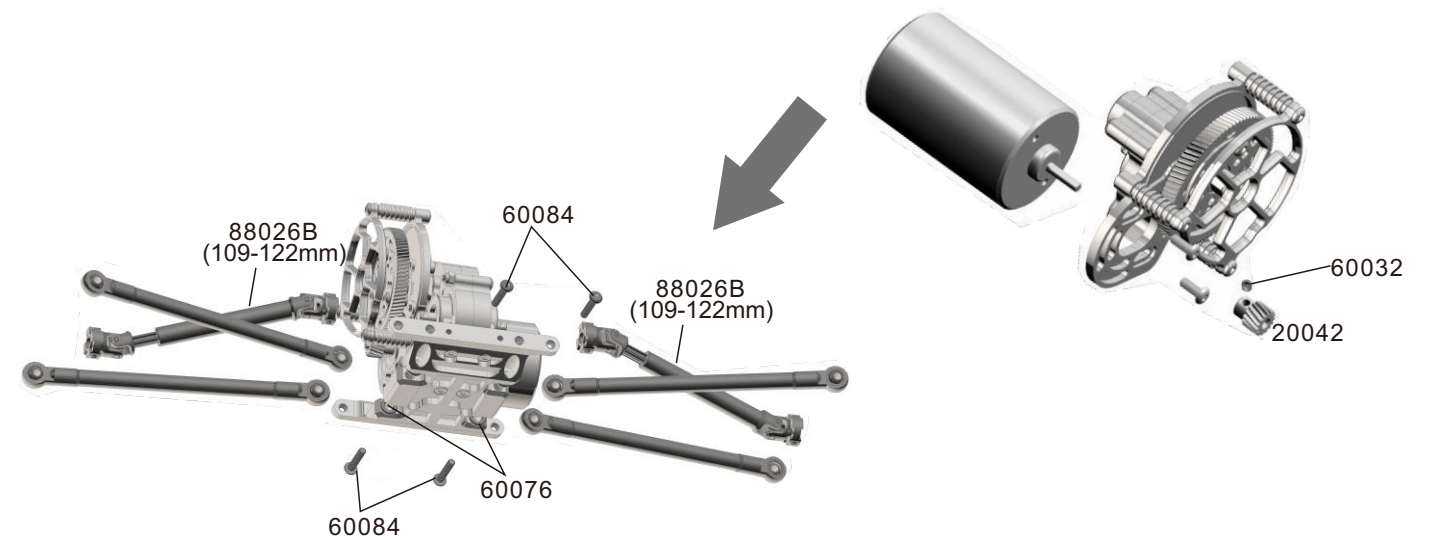
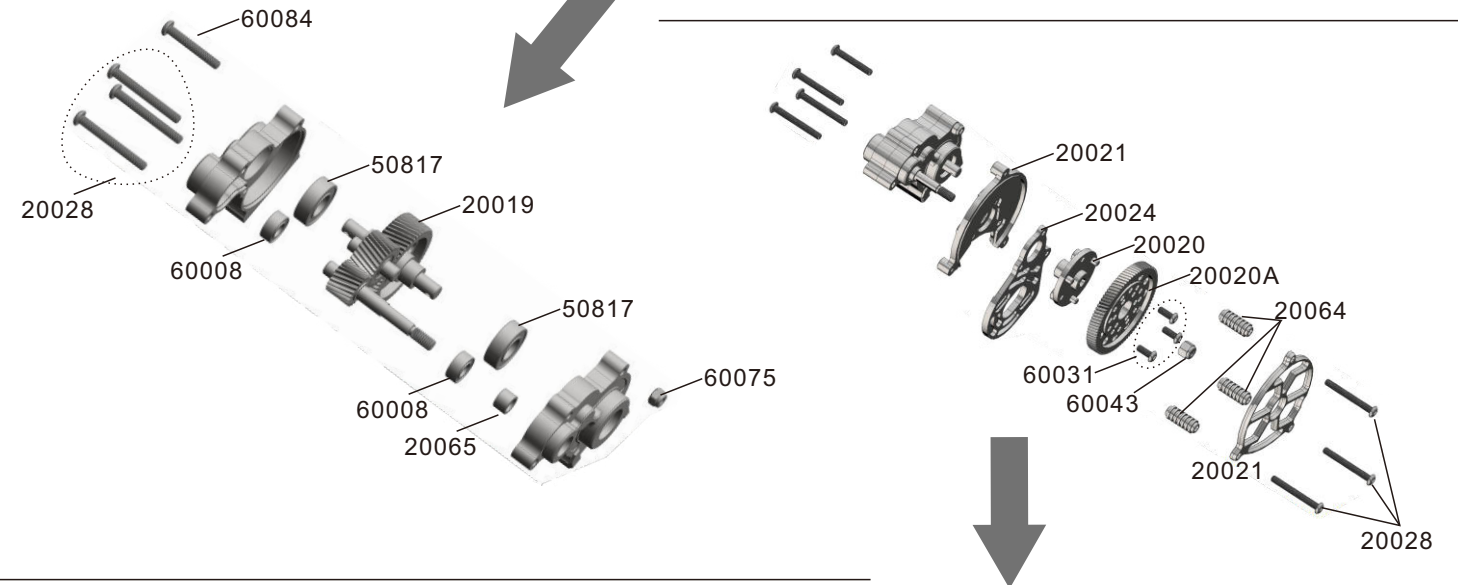
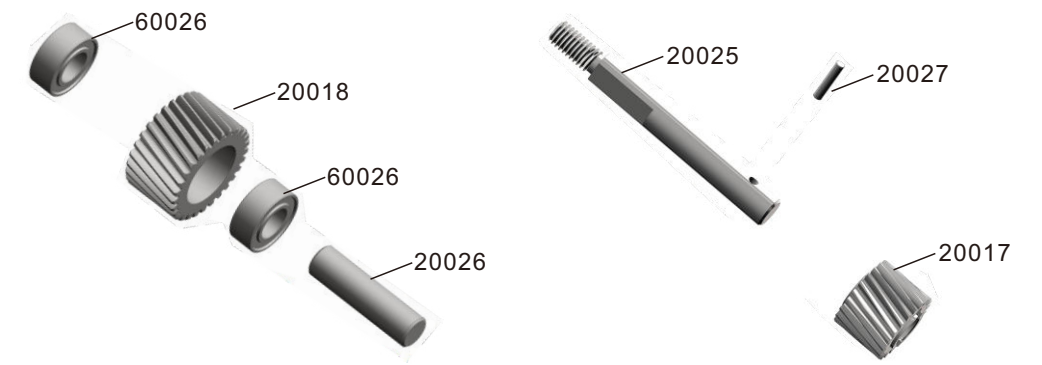
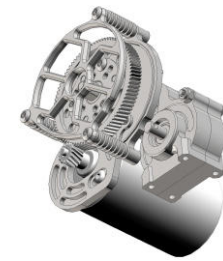
**60075** x6  
M3 Nut

**20065B** x8  
Bushing

**60059K** x4  
Linkage B

**20032K** x4  
Linkage A

## Center Gearbox



**60026** x2  
Bearing 5x10x4mm

**60008** x2  
Bearing 5x11x4mm

**50817** x2  
Bearing 8x16x5mm

**20025** x1  
21T Gear Shaft

**20026** x1  
Pin 5x18mm

**20027** x1  
Pin 1.5x7mm

**20065** x1  
Bushing φ5X7X4.6

**60075** x1  
M3 Nut

**60043** x1  
M4 Nut

**20017** x1  
Helical Gear 21T-L

**20018** x1  
Helical Gear 25T-R

**20019** x1  
Helical Gear 56T-L

**20020A** x1  
Helical Gear 56T-L

**20020** x1  
Gear Plate

**20064** x3  
Bushing φ3X6.5X16

**20021** x1  
Gear Housing

**20024** x1  
Mount Mount

**88026B** x2  
109-122mm

**20054** x1  
Gearbox Base Mount

**60032** x1  
M3x3mm

**20042** x1  
Bevel Pinion 15T-R

**20028** x6  
Tm3x26mm

**60084** x5  
Tm3x16mm

**60031** x7  
Tm3x8mm

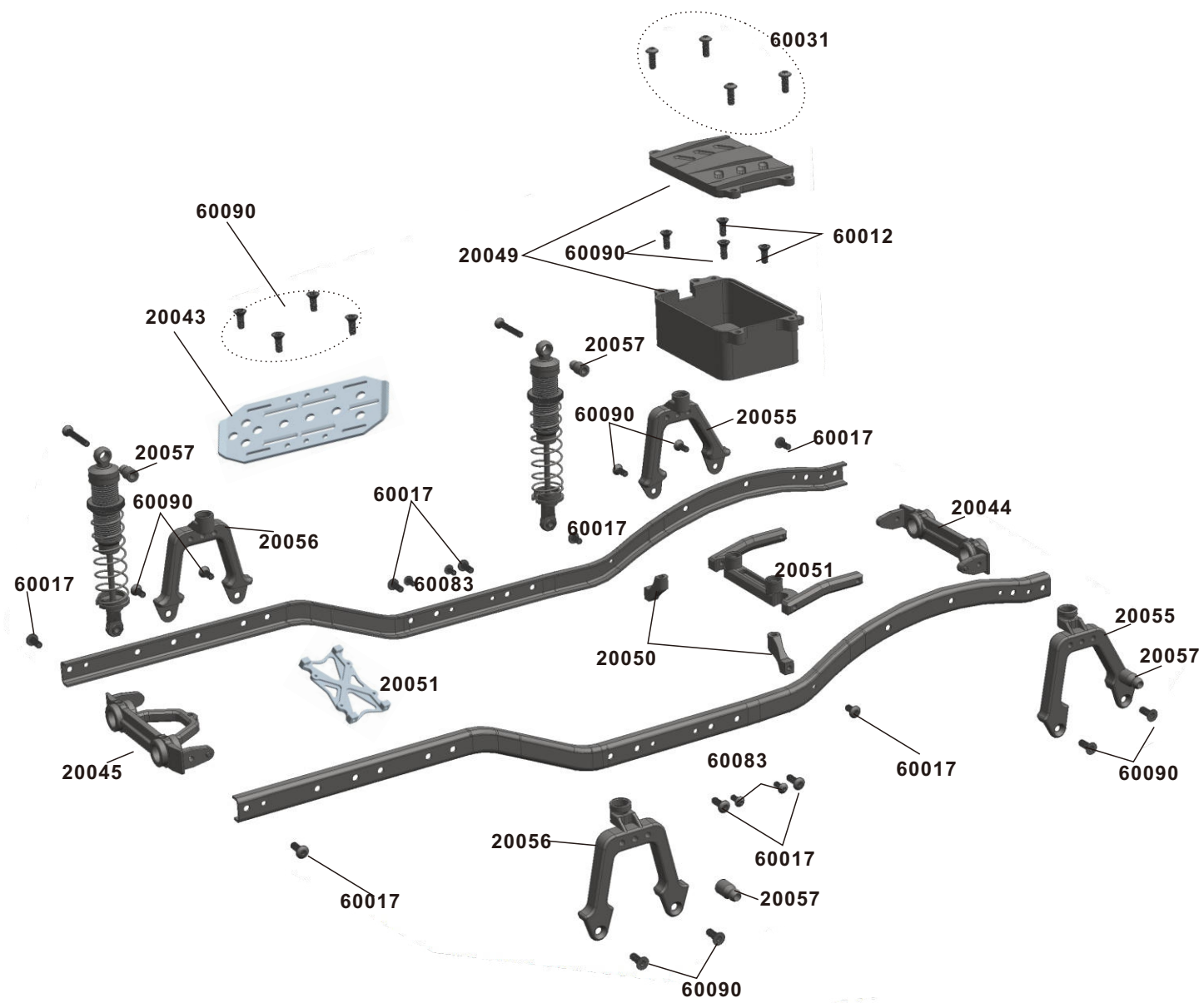
**60017** x3  
Tm3x6mm

















**60014B** x4  
M2.5x8mm

**20060** x2  
Fm3x12mm

**20061** x2  
Fm3x10mm





	<b>60031</b> Tm3x8mm	<b>x4</b>		<b>20055</b> F.Shock Stay 1pr	<b>x1</b>		<b>20049</b> RX Box	<b>x1</b>
	<b>60017</b> Tm3x6mm	<b>x10</b>		<b>20056</b> R.Shock Stay 1pr	<b>x1</b>		<b>20043</b> Battery Plate	<b>x1</b>
	<b>60083</b> Tm2.5x6mm	<b>x4</b>		<b>20044</b> F. Bumper Mount	<b>x1</b>		<b>20051</b> Battery Plate Mount	<b>x1</b>
	<b>60090</b> Fm3x8mm	<b>x14</b>		<b>20045</b> R. Bumper Mount	<b>x1</b>		<b>20048</b> Main Frame	<b>x1</b>
	<b>60012</b> Tm3x10mm	<b>x2</b>		<b>20051</b> RX Box Mount B	<b>x1</b>			
	<b>20057</b> Cone Pad	<b>x4</b>		<b>20046</b> Chassis Support	<b>x1</b>			

