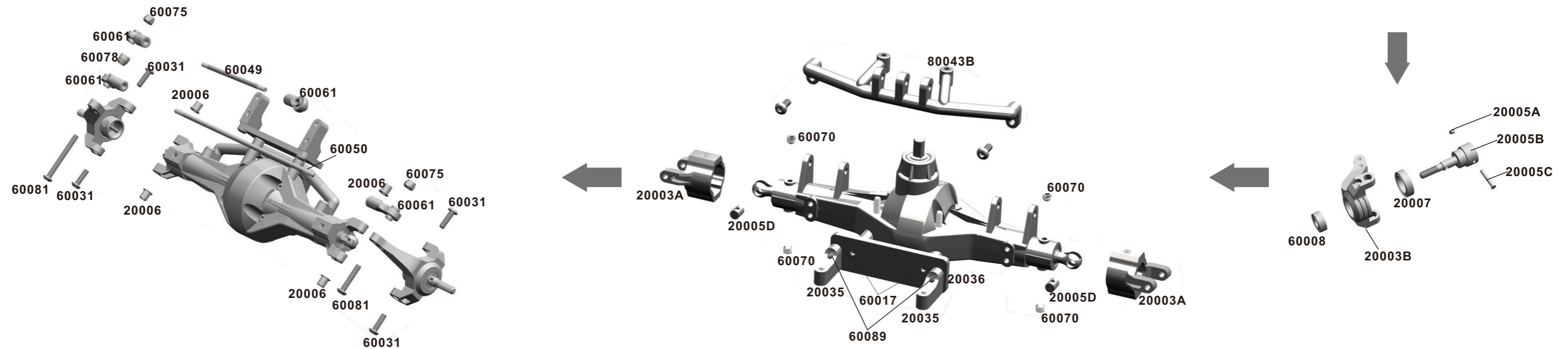
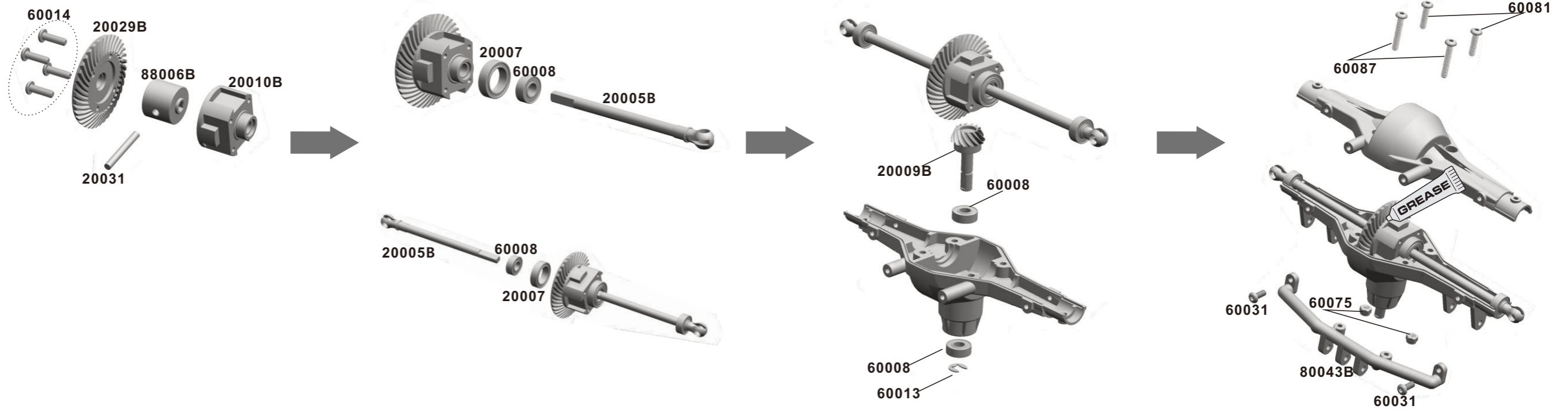


FR Axle Assem



60014 x4
M2x6mm

20007 x4
Bearing 10x15x4mm

60008 x6
Bearing 5x11x4mm

20029B x1
Helical Bevel Gear 38T

20009B x1
Helical Bevel Gear 13T

60070 x4
M4x4mm

60013 x2
E5.0 e-clip

20031 x1
Pin 2.9x22mm

60075 x4
M3 Nut

20005A x2
E1.5 e-clip

20005C x2
Pin 3x12mm

20005D x2
Pin 4x6mm

20006 x4
Bushing 3x4.4x4.9

60078 x1
Bushing 3x6x5

88006B x1
Gear Spacer

20010B x1
Gear Housing

20035 x2
Servo Mount

20036 x1
Servo Plate

20005B x2
Front wheel shaft

20003A x2
Steering Hub Carrier

20003B x2
Steering Hub

20005B x2
Steering Drive Shaft

60061 x4
Linkage Rod Head

60049 x1
Linkage Shaft 63mm

60050 x1
Linkage Shaft 116mm

80043B x1
Linkage Mount

60017 x2
Tm3x6mm

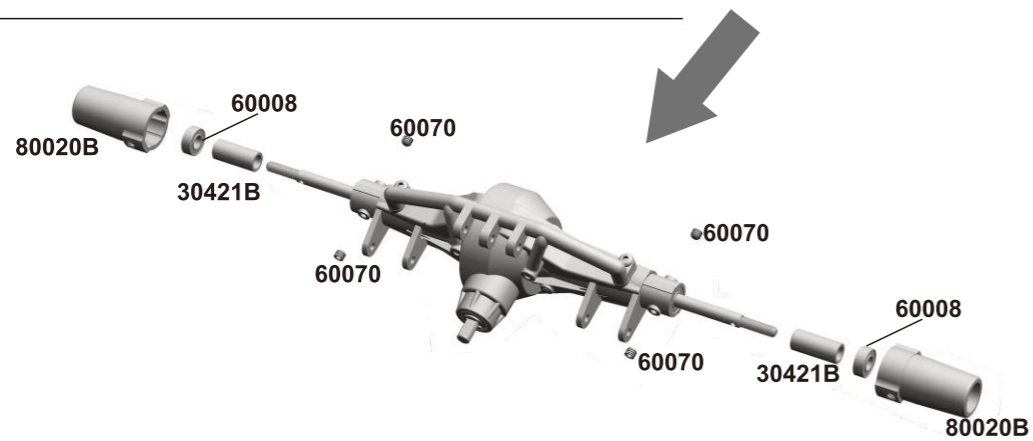
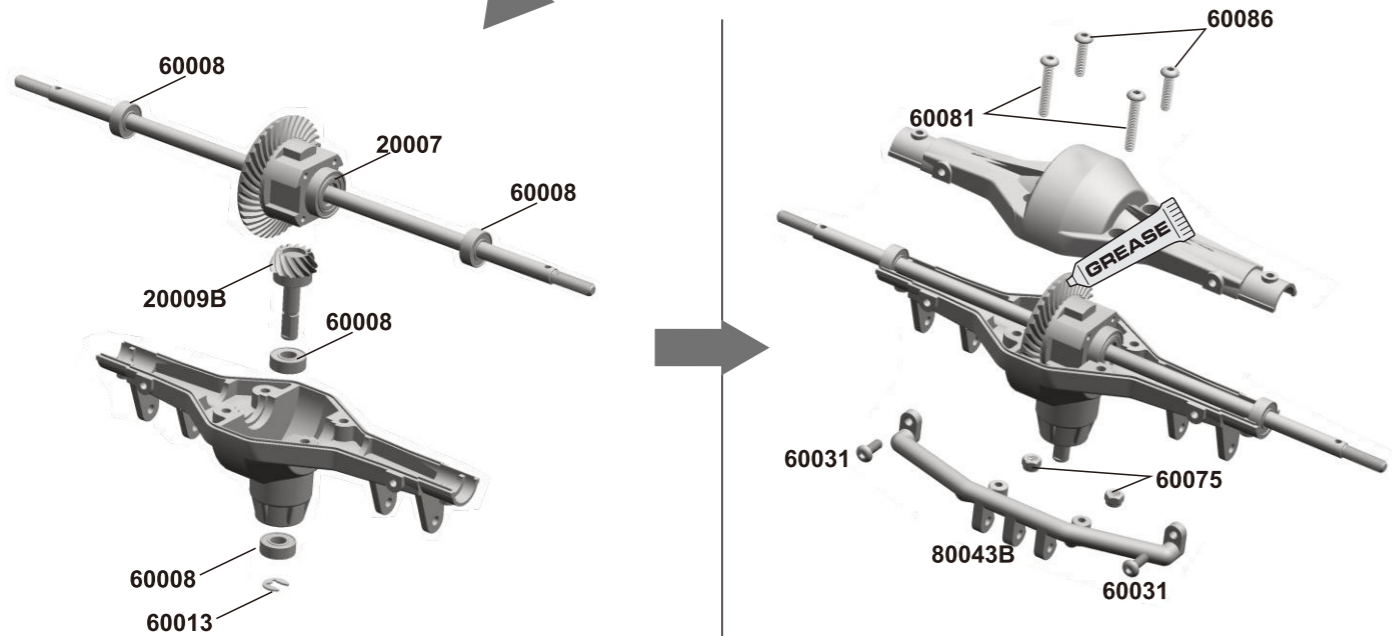
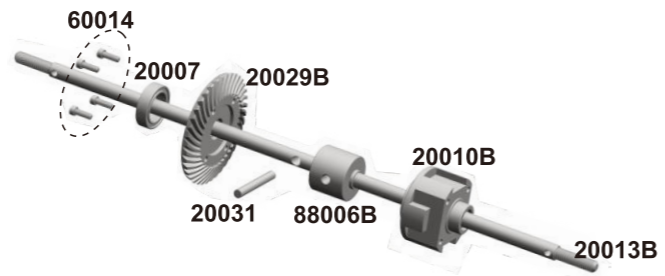
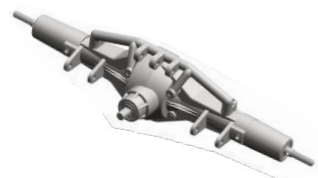
60089 x2
Fm3x6mm

60031 x6
Tm3x8mm

60081 x4
Tm3x18mm

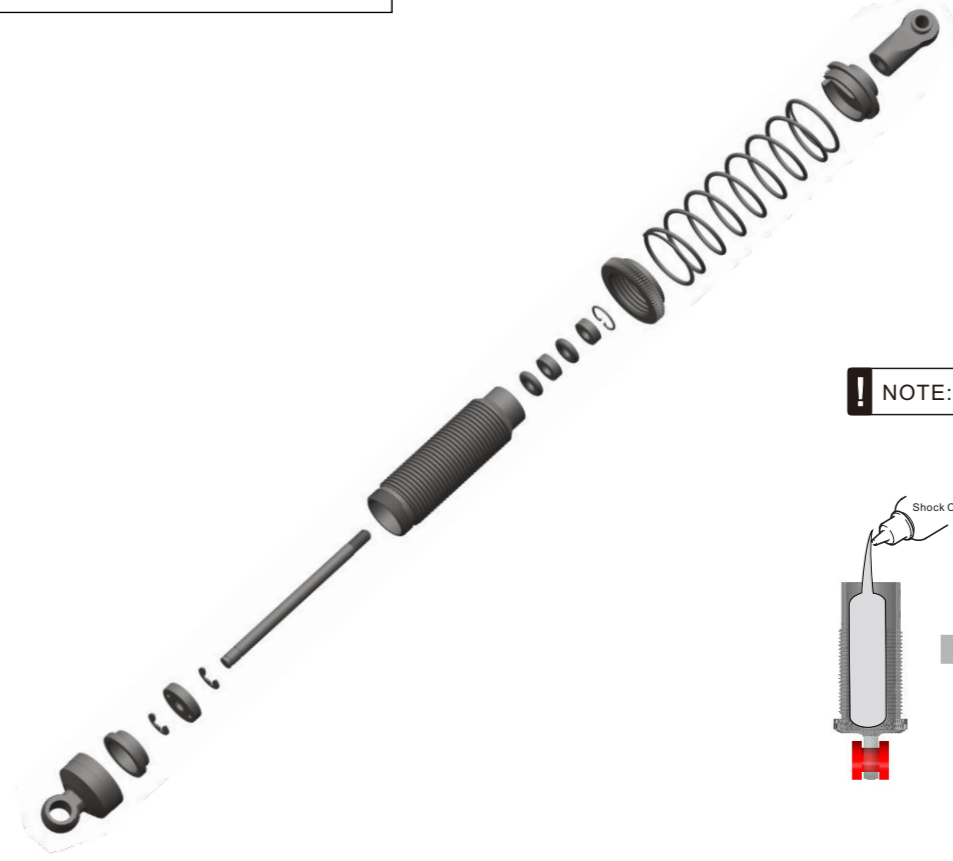
60087 x2
Tm3x20mm

Rear Axle Assem

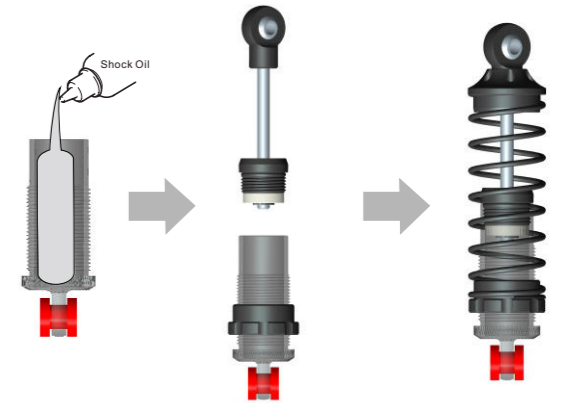


- | | | | | |
|--------------------------------------|--|---------------------------------|-----------------------------------|------------------------------------|
| 60014
M2x6mm x4 | 20029B
Helical Bevel Gear 38T x1 | 20031
Pin 2.9x22mm x1 | 20010B
Gear Housing x1 | 20013B
Stiff Shaft x1 |
| 20007
Bearing 10x15x4mm x2 | 20009B
Helical Bevel Gear 13T x1 | 60031
Tm3x8mm x2 | 88006B
Gear Spacer x1 | |
| 60008
Bearing 5x11x4mm x6 | 60013
E5.0 e-clip x1 | 60086
Tm3x12mm x2 | 60075
M3 Nut x2 | 80020B
Rear Wheel Hub x2 |
| | 20009B
Pin 2.9x22mm x1 | 60081
Tm3x18mm x2 | 80043B
Linkage Mount x1 | |

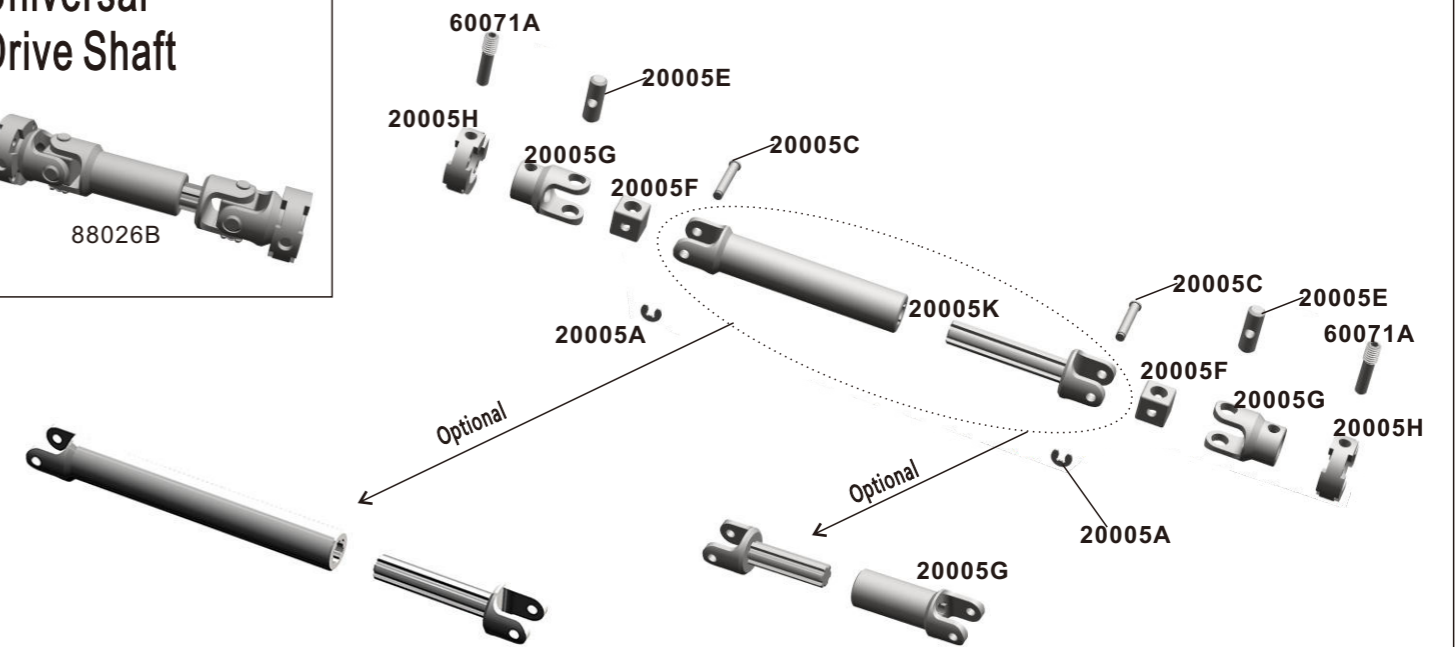
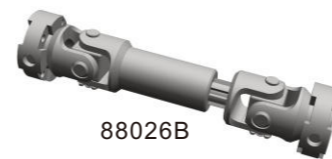
7.Shock (φ10*90mm)



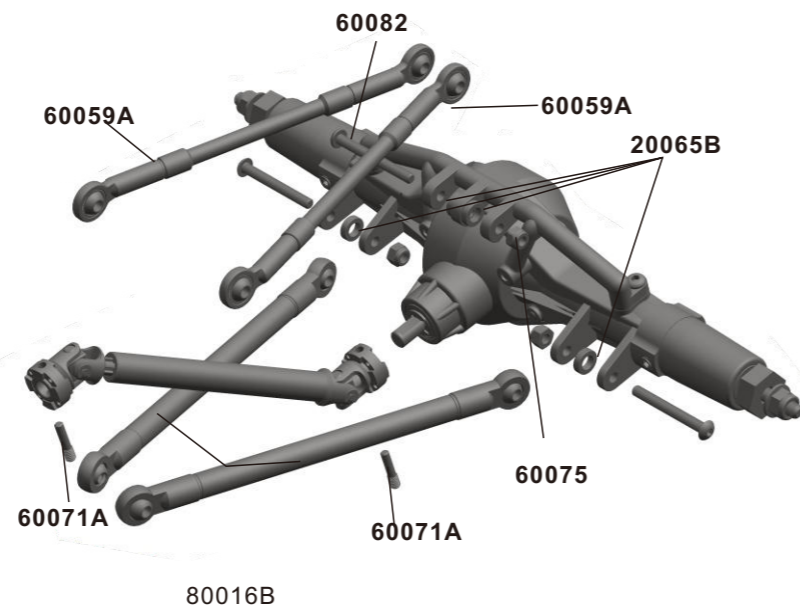
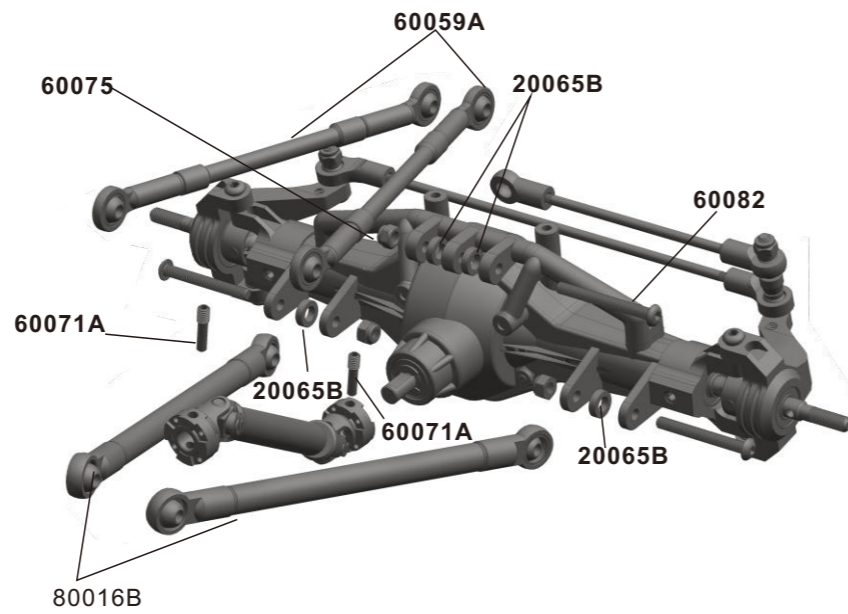
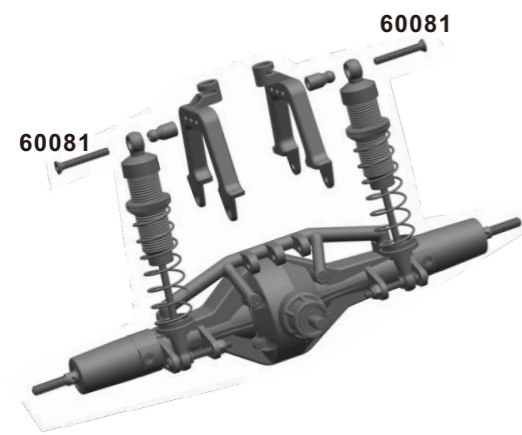
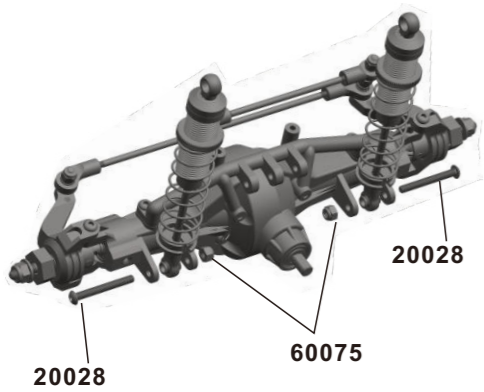
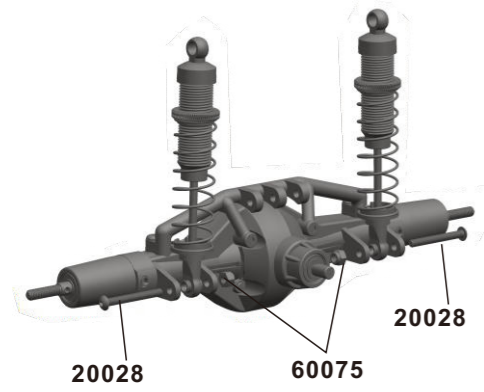
NOTE: Shock oil was not pre-injected in factory



Universal Drive Shaft



- | | | | |
|---------------------------------|---------------------------------|---|--|
| 20005A
E1.5 e-clip x2 | 20005E
Pin 3x10mm x2 | 20005G
Drive Shaft Carrier x2 | 60071A
Screw Shaft x2 |
| 20005C
Pin 3x12mm x2 | 20005F
Joint Block x2 | 20005H
Drive Shaft Hub x2 | 20005K
Drive Shaft Body Set x2 |

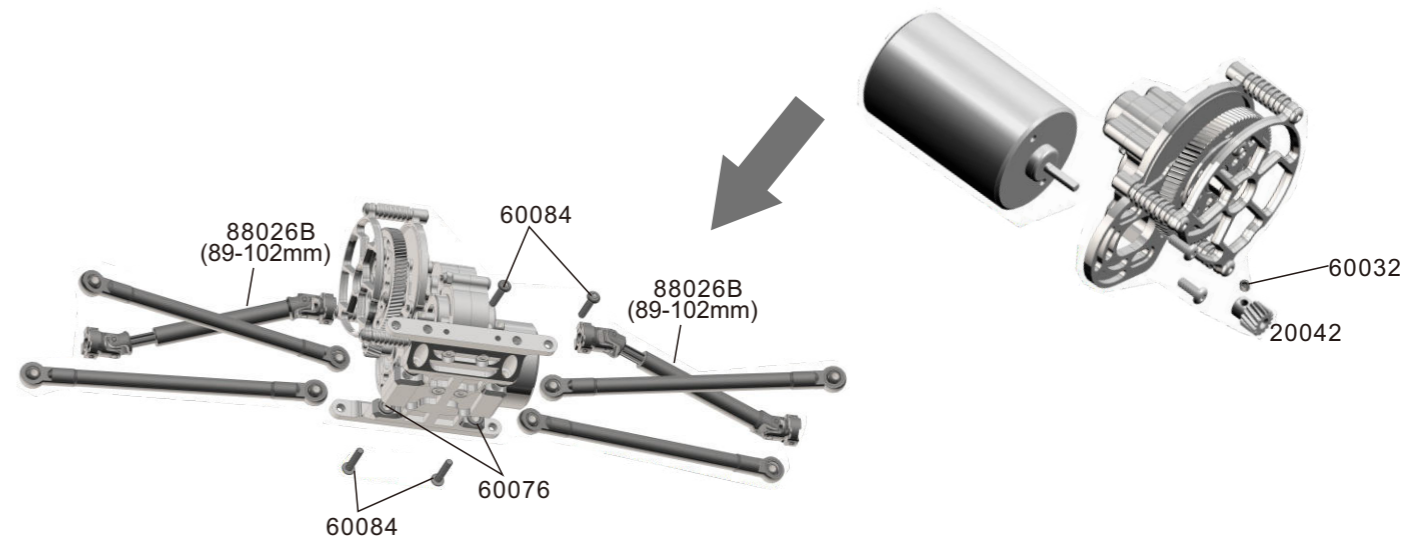
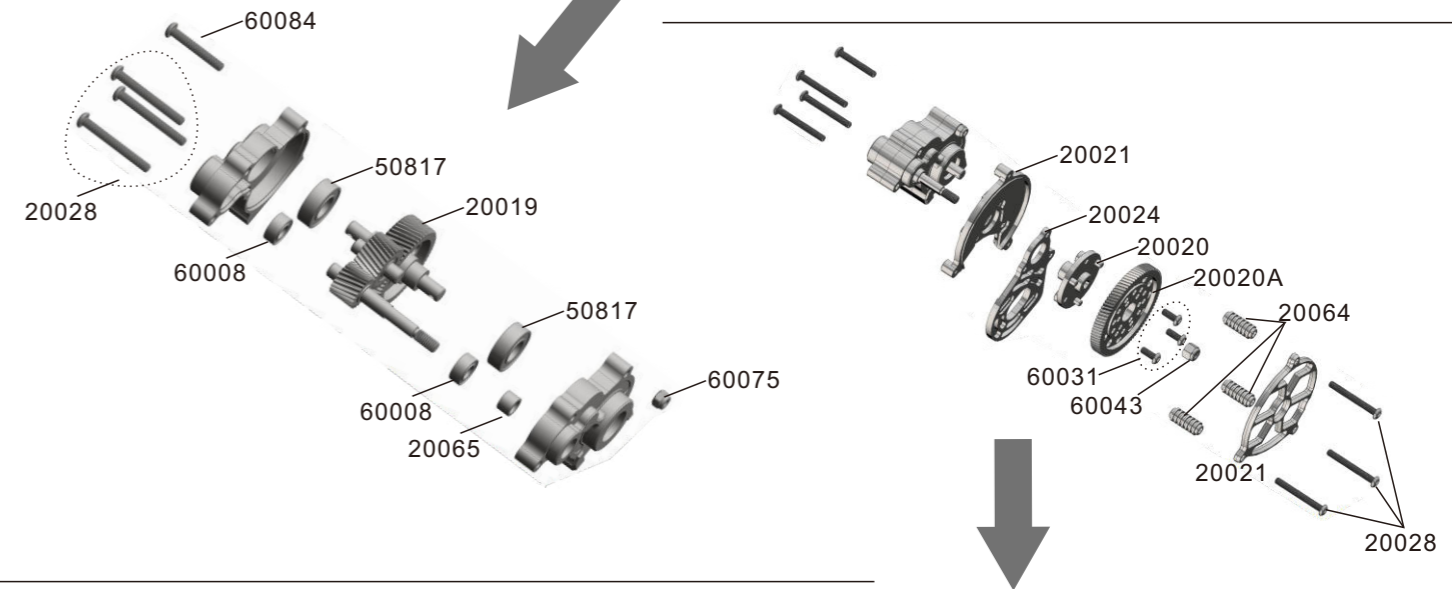
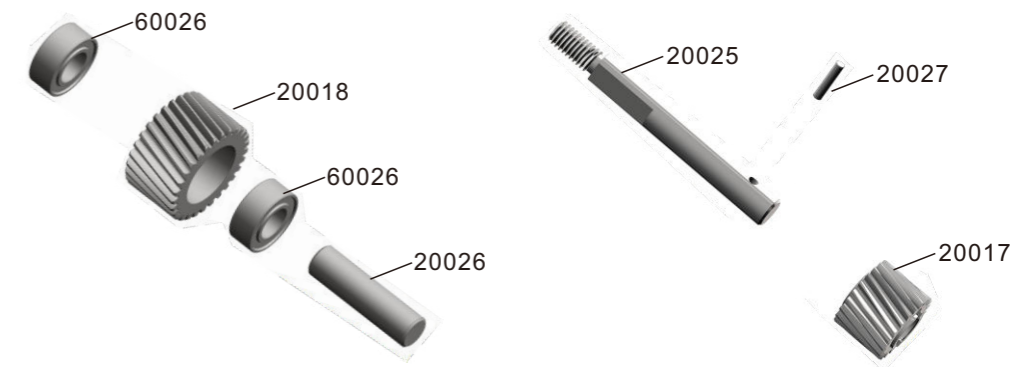
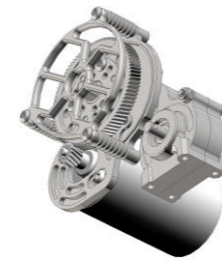


- 60082** x2
Tm3x30mm
- 20028** x4
Tm3x26mm
- 60081** x4
Tm3x18mm

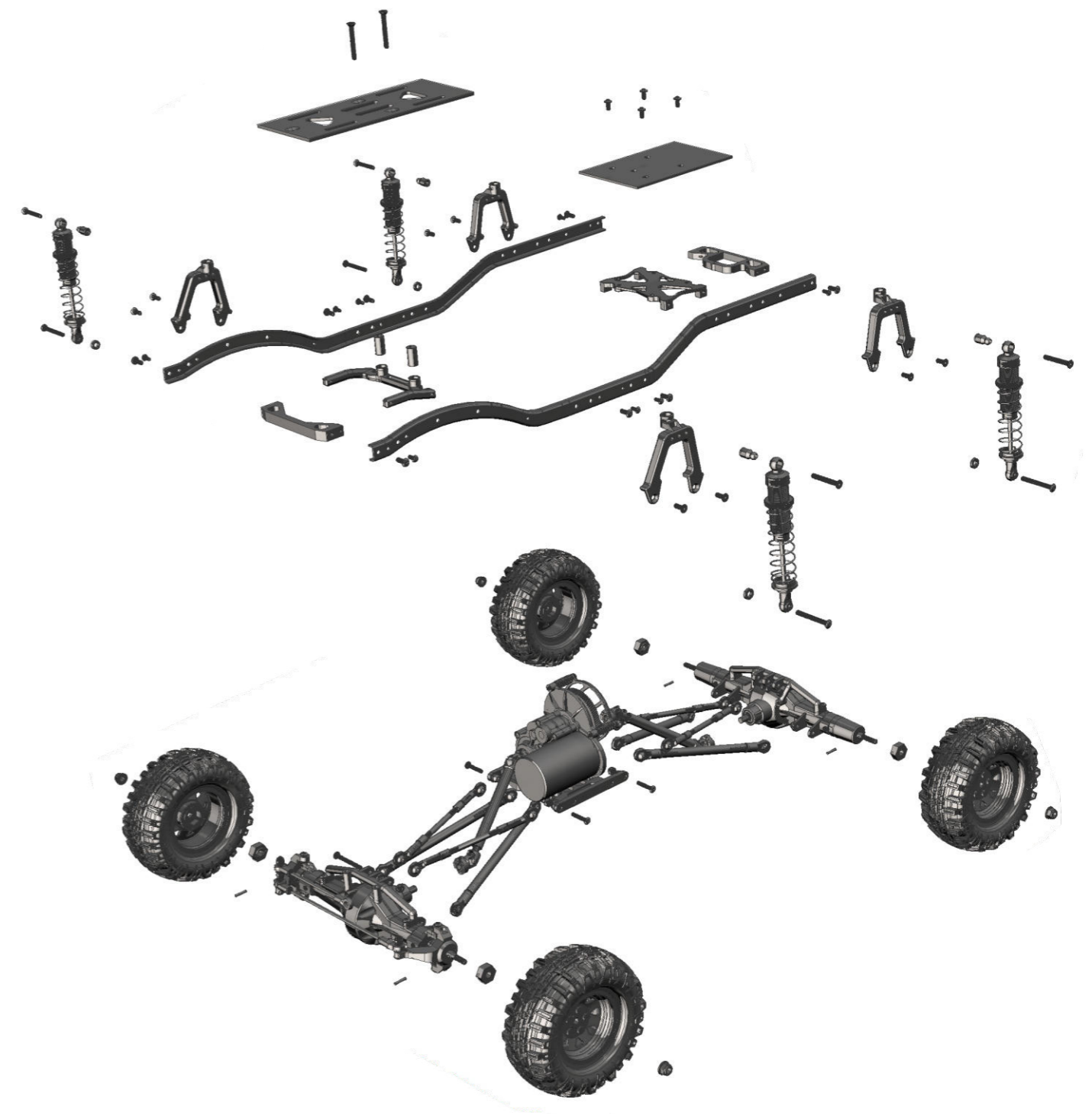
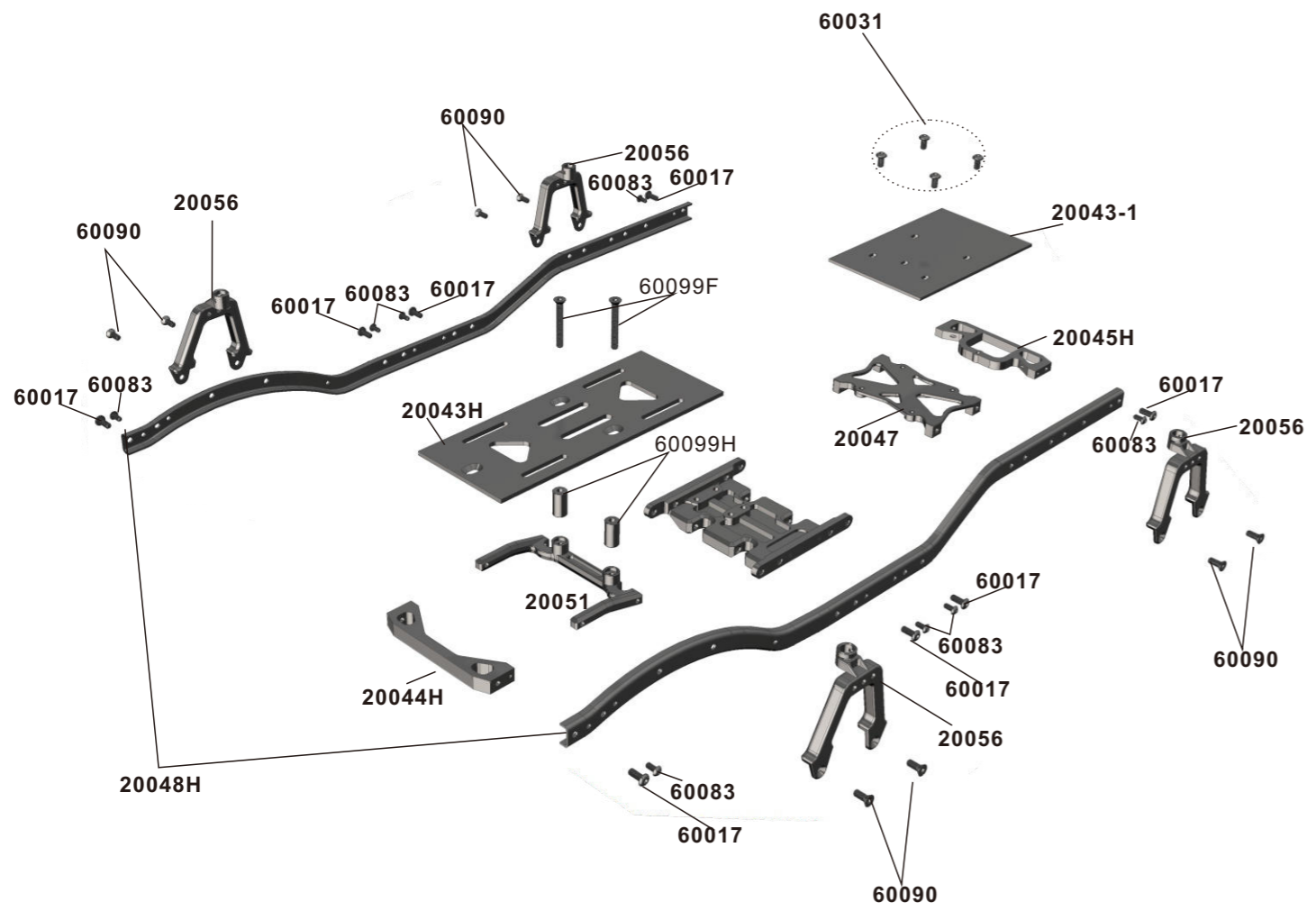
- 60071A** x4
Screw Shaft
- 60075** x6
M3 Nut
- 20065B** x8
Bushing





- 60059A** x4
Linkage B
- 80016B** x4
Linkage A

Center Gearbox



- | | | | | |
|-------------------------------------|---------------------------------------|---------------------------------------|---------------------------------------|------------------------------|
| 60026 x2
Bearing 5x10x4mm | 20026 x1
Pin 5x18mm | 20017 x1
Helical Gear 21T-L | 20021 x1
Gear Housing | 20028 x6
Tm3x26mm |
| 60008 x2
Bearing 5x11x4mm | 20027 x1
Pin 1.5x7mm | 20018 x1
Helical Gear 25T-R | 20024 x1
Mount Mount | 60084 x5
Tm3x16mm |
| 50817 x2
Bearing 8x16x5mm | 20065 x1
Bushing φ5X7X4.6 | 20019 x1
Helical Gear 56T-L | 88026B x2
92-108mm | 60031 x7
Tm3x8mm |
| 60075 x1
M3 Nut | 60043 x1
M4 Nut | 20020 x1
Helical Gear 56T-L | 20054 x1
Gearbox Base Mount | 60017 x3
Tm3x6mm |
| 60076 x1
M3 Nut | 20020 x1
Gear Plate | 20064 x3
Bushing φ3X6.5X16 | 60032 x1
M3x3mm | 60014B x4
M2.5x8mm |
| | 20042 x1
Bevel Pinion 15T-R | | 20060 x2
Fm3x12mm | 20061 x2
Fm3x10mm |



 60031 x4 Tm3x8mm	 20056 x2 Shock Stay 1pr	 20045H x1 Chassis Mount B
 60017 x8 Tm3x6mm	 20047 x1 Battery Plate Holder	 20043H x1 Battery Plate
 60083 x8 Tm2.5x6mm	 20051 x1 RX Box Mount B	 20043-1 x1 Radio Tray
 60090 x8 Fm3x8mm	 20044H x1 Chassis Mount A	 20048H x1 Main Frame
 60099F x2 Fm3x24mm	 60099H x1 Battery Plate Post	