



INSTRUCTION MANUAL  
& REFERENCE GUIDE



## Welcome to Serpent

The Serpent Cobra E-truggy is based on the successful Cobra offroad platform. It is designed to be a world champion, while still being easy to use, assemble, and set up.

You are now part of the worldwide network of Serpent drivers.

The Serpent Cobra offers state of the art specifications and leads the way in 1/8 scale offroad chassis design, using all the knowledge our designers have gathered from racing offroad cars for over 15 years, into this design too. Continuously pushing the performance envelope, Serpent's engineers have added many new and innovative features that help take your Serpent Cobra into the winner's circle. Designed, tested and raced by Billy Easton, USA. World Champion.

## INSTRUCTIONS

Serpent's long tradition of excellence extends to the instruction manuals, and this instruction manual is no exception. The easy-to-follow layout is richly illustrated with 3D-rendered full-color images to make your building experience quick and easy. Following the instructions will result in a well-built, high-performance race-car that will soon be able to unleash its full potential at the racetrack.

This instruction manual has been divided into sections that will logically lead you through the assembly process of your Serpent Cobra. Follow the assembly steps in the order presented to ensure that no problems occur during assembly. Each step indicates all the fasteners, bearings and small parts used. Bag numbers identify the kit bag(s) that contains the appropriate parts.

## SAFETY

Read and take note of the 'Read this First section' before proceeding to assemble the car-kit. This car-kit is intended for persons aged 16 or older.

## CUSTOMER SERVICE

Serpent has made a strong effort to make this manual as complete and clear as possible.

Additional info may be published in our website: [www.serpent.com](http://www.serpent.com) or you may ask your dealer or the Serpent distributor for advice, or email Serpent direct: [info@serpent.com](mailto:info@serpent.com)

The Serpent Facebook, Twitter and Youtube pages give additional means of support and communications.

## INSTRUCTIONS, HOW TO USE

The kit includes bags, with bagnumbers, which refer to the same step in the manual. Open only the indicated bag(s) per step and finish that part of the assembly.

Remaining parts will be needed later on in the assembly process.



## EXPLODED VIEWS AND PARTS LIST

The exploded views and parts lists for the Serpent Cobra are included in the back of this manual. The exploded views show all the parts of a particular assembly step along with the Serpent part number. The parts lists indicate the part number and name of each part for easy reference when ordering.

The instruction manual is very complete, though due to continuous product development, more up-to-date information may be provided at our Serpent.com website.

All information about the Serpent Cobra is accessible from the Serpent product page which can be found on Serpent.com and can be accessed by simply typing [serpent.com/600036](http://serpent.com/600036) into your web browsers address bar.

From the Serpent product page you will find the very latest information about your Serpent Cobra: reports by team drivers and other experts, tips and tricks, setups, image gallery and downloadable files including the latest version of the instruction manual will be made available as downloadable PDF-files.

Enjoy racing !

Team Serpent

## SETUP

In many assembly steps you mount specific parts that suit the default set-up. We advice to keep the separate default set-up sheet alongside the manual, during all assembly.

Other finetuning of the set-up, must be done at the track.

# CONTENTS





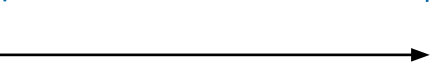








<b>DIFFERENTIAL CENTER ASSEMBLY</b>	<b>4</b>
<b>DIFFERENTIAL FR/RR ASSEMBLY</b>	<b>5</b>
<b>CENTER ASSEMBLY</b>	<b>6</b>
<b>REAR ASSEMBLY</b>	<b>7</b>
<b>FRONT ASSEMBLY</b>	<b>11</b>
<b>STEERING ASSEMBLY</b>	<b>15</b>
<b>SIDE-GUARD/RADIO ASSEMBLY</b>	<b>18</b>
<b>SHOCKS ASSEMBLY</b>	<b>20</b>
<b>SHOCK MOUNTING</b>	<b>22</b>
<b>FINAL ASSEMBLY</b>	<b>23</b>
<b>REFERENCE GUIDE</b>	<b>25</b>
<b>PARTS LISTS</b>	<b>31</b>

## Read this first!

- This is a highly technical hobby product, intended to be used in a safe racing environment. This car is capable of speeds in excess of 80 km/h or 50mph. Please follow these guidelines when building and operating this model.
- Parental guidance is required when the builder/user of this car is under 16.
- Follow the building instructions. If in doubt, contact your dealer or importer.
- Be sure to use the proper tools when assembling the car. Always exercise caution when using electric tools, knives and other sharp objects.
- Be careful when using liquids like lubrication oil, fuel or glue. Do not swallow.
- Follow the manufacturer's instruction in case you experience irritation after using the product.
- Be careful when operating the car. Stay away from any rotating parts such as wheels, gears and transmission. Stay away from motor, engine and exhaust pipe system or speedo during and immediately after use, as these parts may be very hot. We advise to use protective hand gloves.
- Only operate this car in a safe environment, like a special racing track or a closed parking lot. Avoid using this car on public roads, crowded places or near infants.
- Before operating this car, always check the mechanical status of the car. Also check that the transmitter and receiver frequencies correspond and are not used by any other racer at the same time. Check that the batteries of the transmitter and receiver are fully charged.
- After use, always check all the mechanics of the car. We advise to clean the car immediately after use, and inspect the parts for wear or fractures. Replace when necessary. Do not use water, methanol, thinner or other solvents to clean the car.
- Empty the fuel tank (depending on model) if needed and disconnect the receiver battery.
- Store the car in a dry and heated place to avoid corrosion of metal parts.
- Avoid using this car in wet conditions as the water will cause corrosion on the metal parts and bearings and these parts will cease to function properly. If driven in the wet, ensure that all the electric equipment is waterproofed and after use, that all moving parts are dried immediately.

## USING THE MANUAL

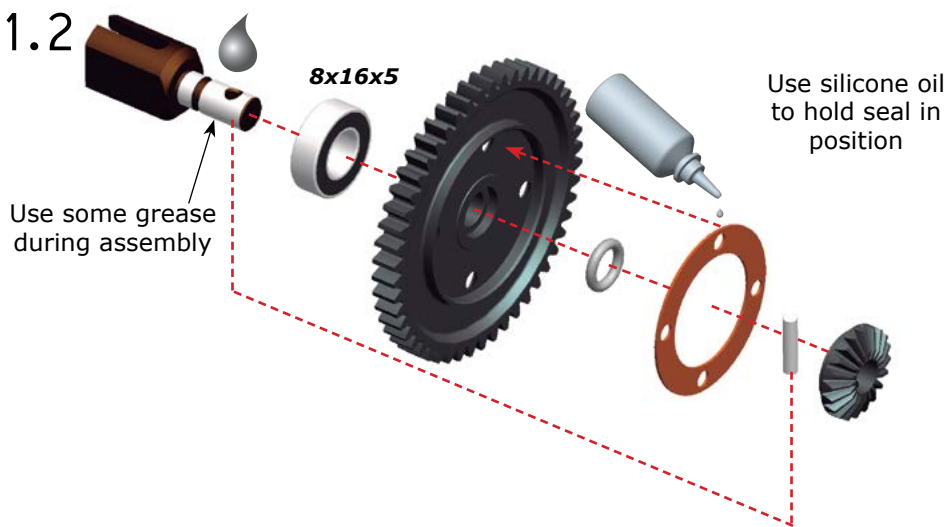
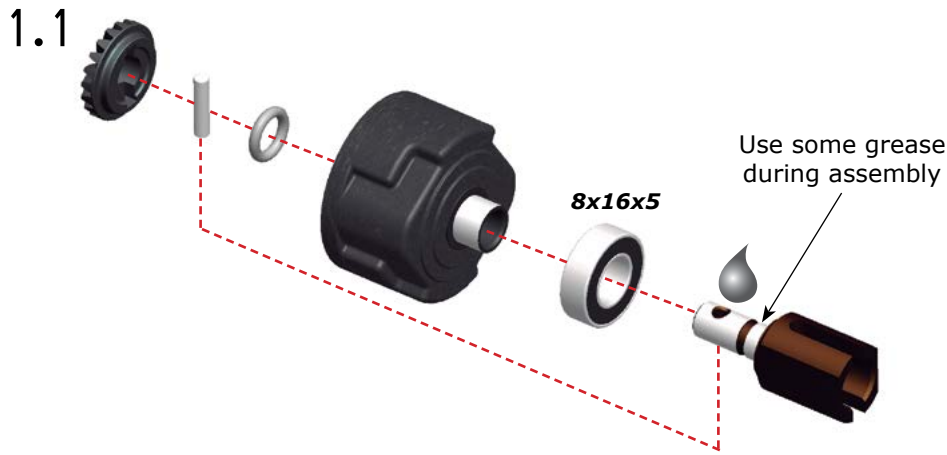
Each step contains a variety of numbers, lines, and symbols. The numbers represent the order in which the parts should be assembled. The lines and symbols are described below.

	<p>Step number; the order in which you should assemble the indicated parts</p>
	<p>Length after assembly</p>
	<p>Assembly path of one item into another</p>
	<p>Group of items (within lines) should be assembled first</p>
	<p>Direction the item should be moved</p>
	<p>Glue one item to another</p>
	<p>Press/Insert one item into another</p>
	<p>Connect one item to another</p>
	<p>Gap between two items</p>
 <p>Apply graphite grease (Grey),</p>	 <p>Apply silicone grease (Orange),</p>
 <p>Apply threadlock (Blue),</p>	 <p>Apply silicone oil,</p>

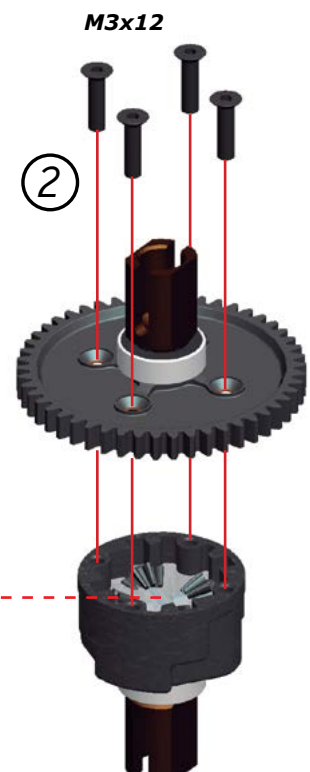
# DIFFERENTIAL CENTER ASSEMBLY

STEP  
1

CENTER  
DIFF  
BAG



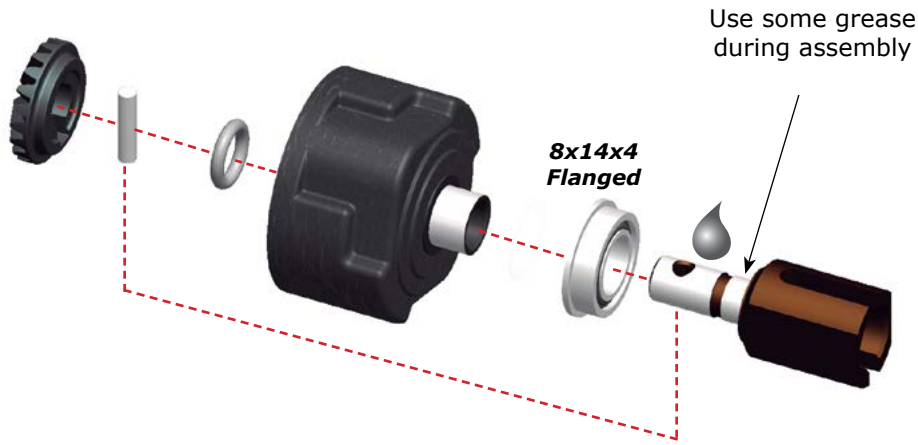
1.4



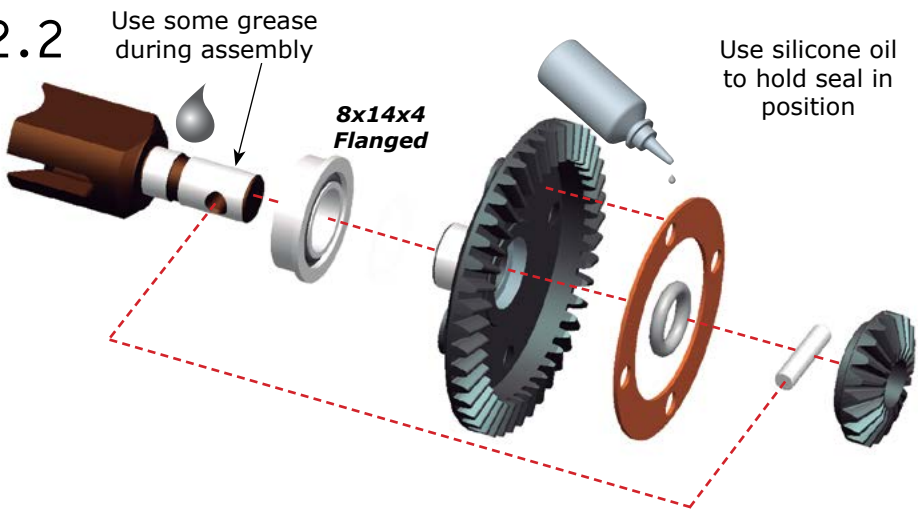
# DIFFERENTIAL FRONT/REAR ASSEMBLY

STEP  
2  
FR/RR  
DIFF  
BAG

2.1



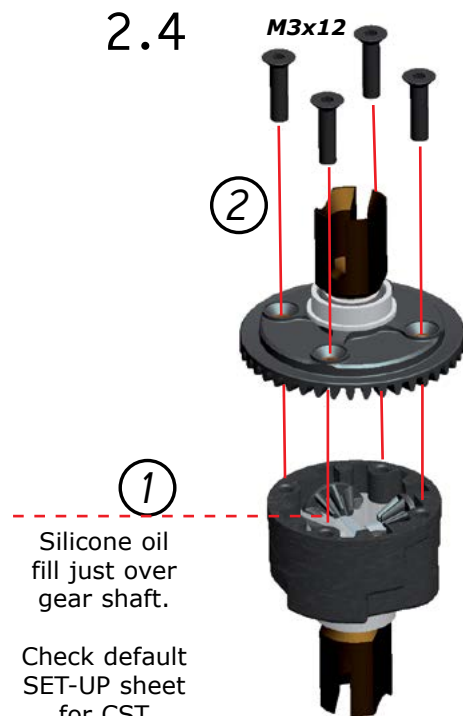
2.2



2.3



2.4

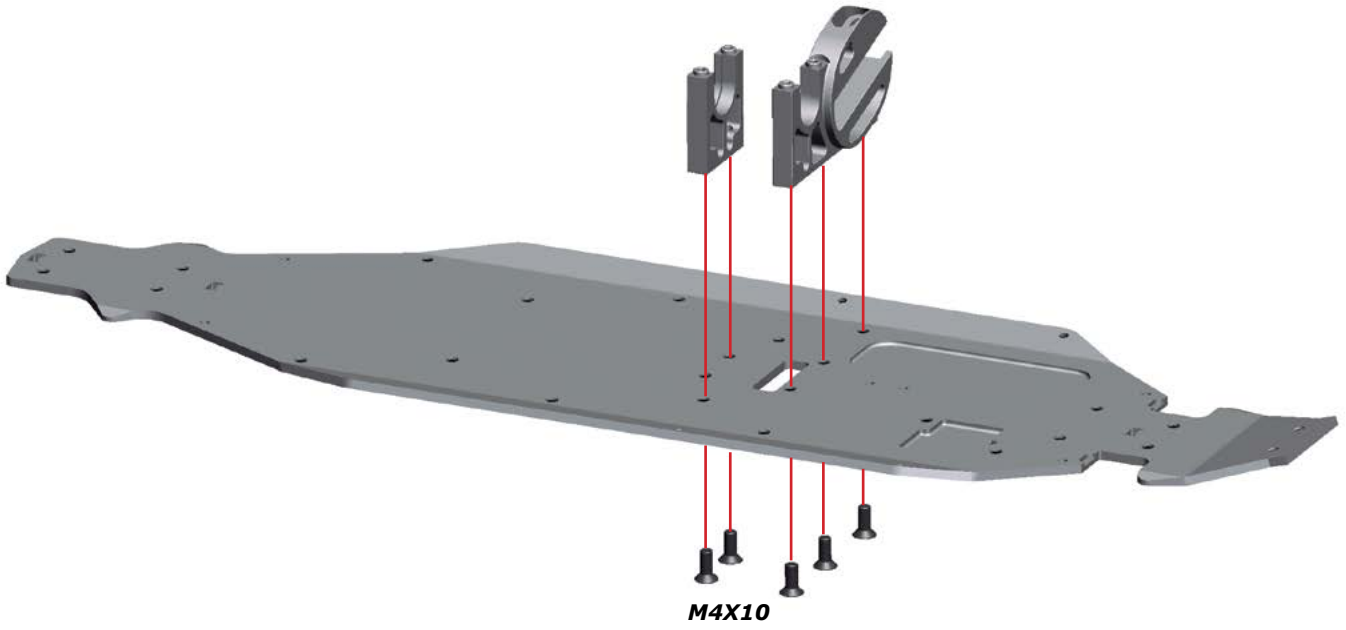


COIBSA

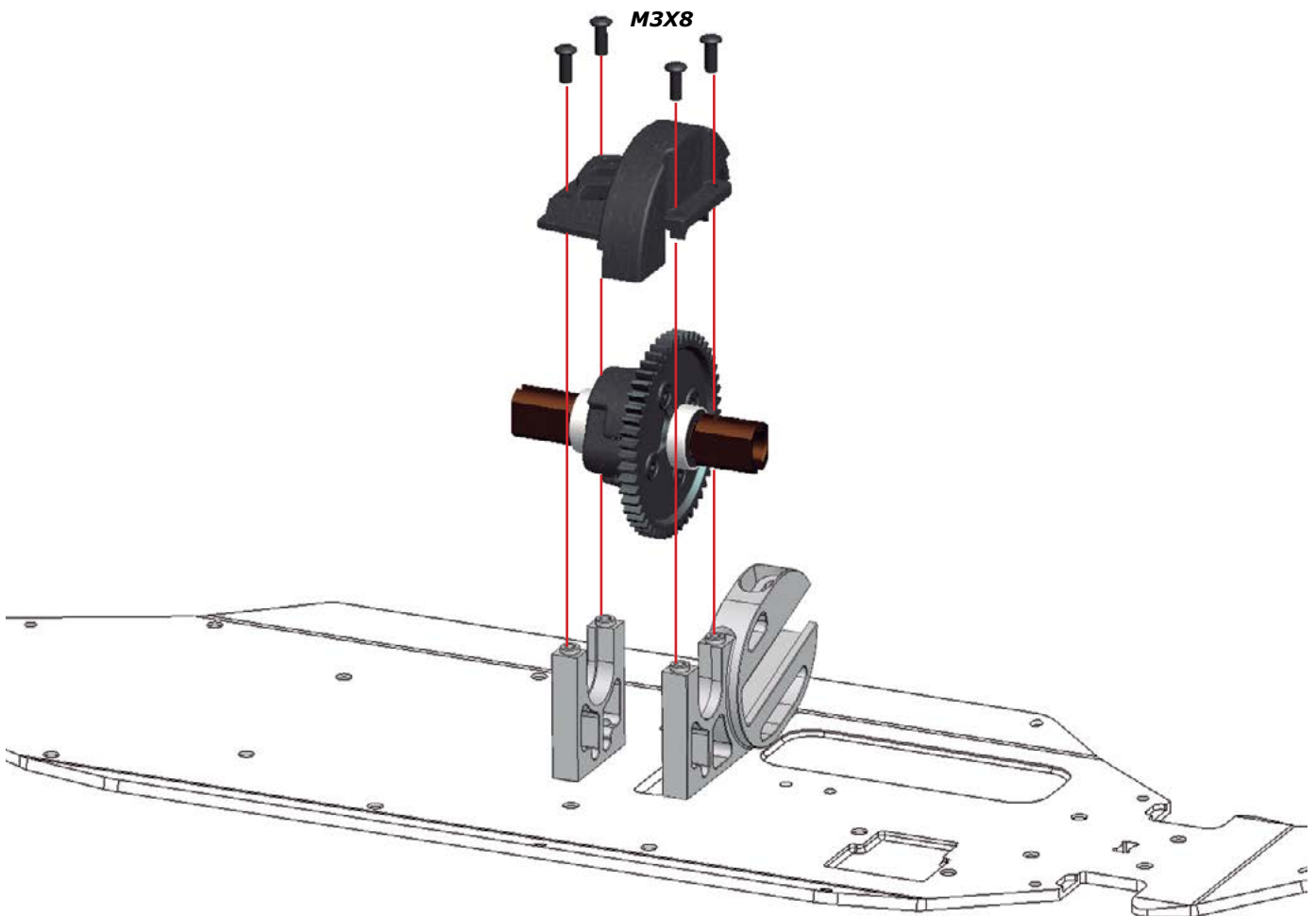
# CENTER ASSEMBLY

STEP  
3

Bag  
1

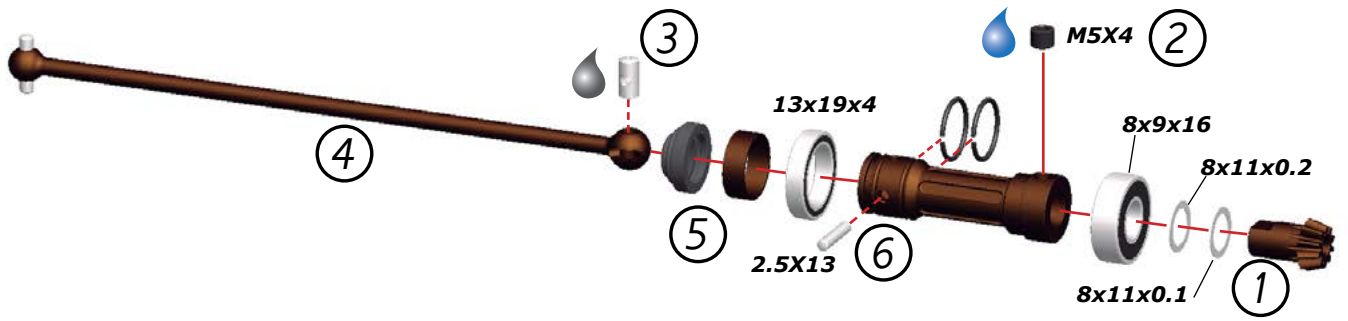


STEP  
4



# REAR ASSEMBLY

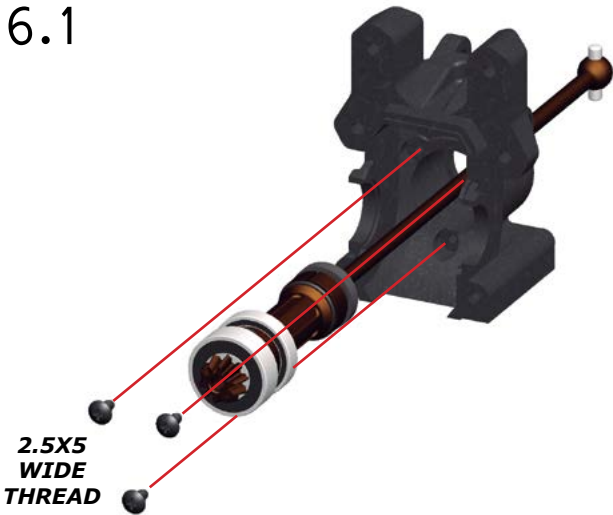
STEP  
5



Bag  
2

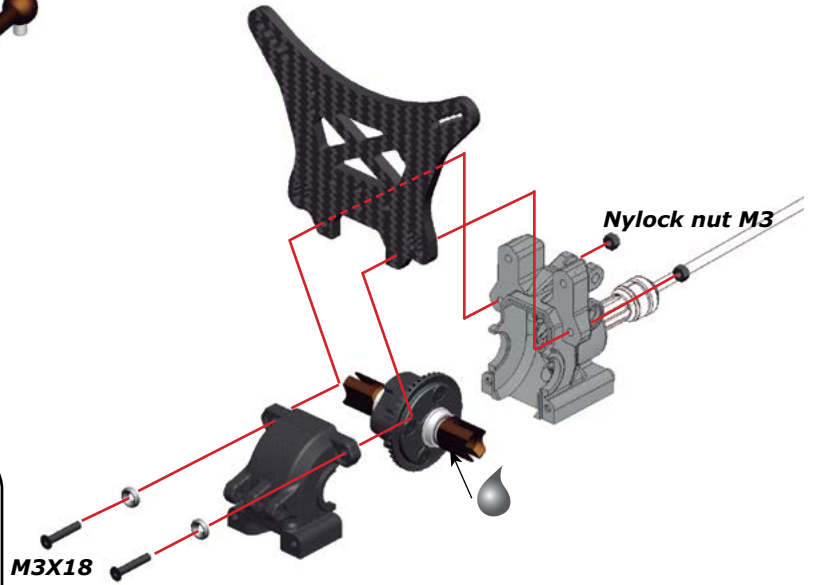
STEP  
6

6.1



2.5X5  
WIDE  
THREAD

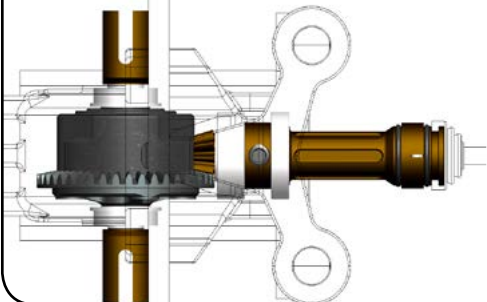
6.2



M3X18

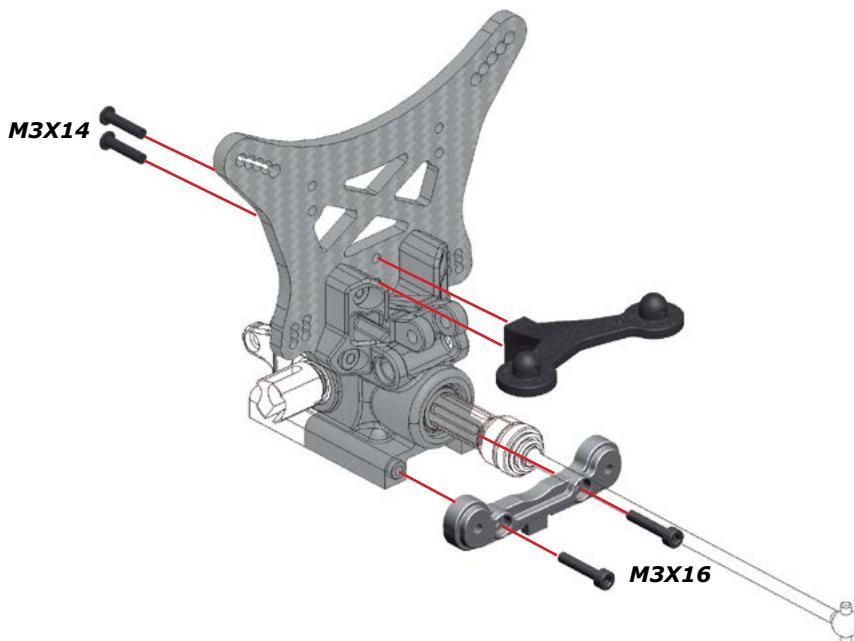
Nylock nut M3

Use 14x15.6x0.2 shims to adjust proper gear mesh (shims included in the diff bag). Notice orientation of the diff.



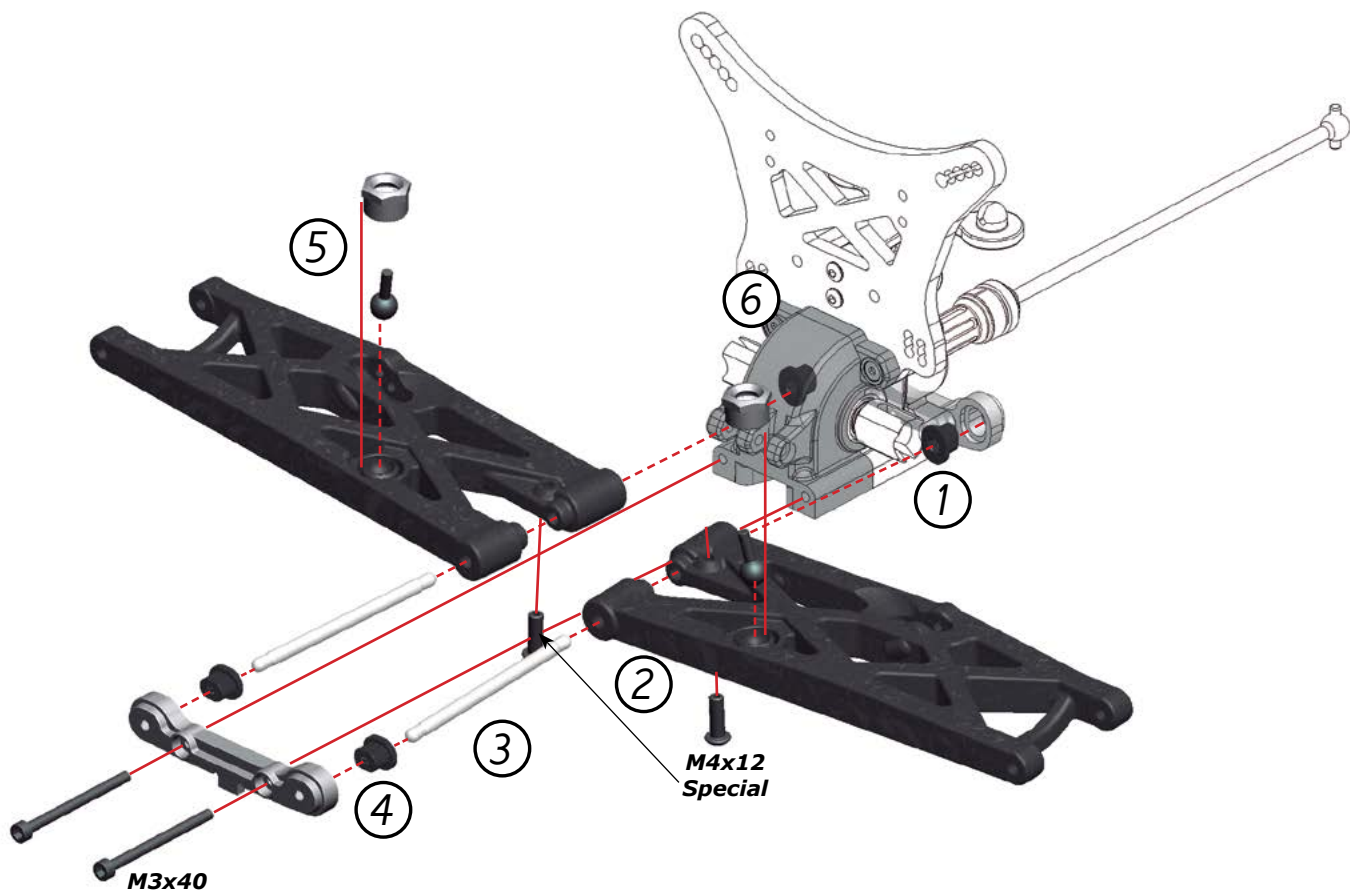
TIP

STEP  
7

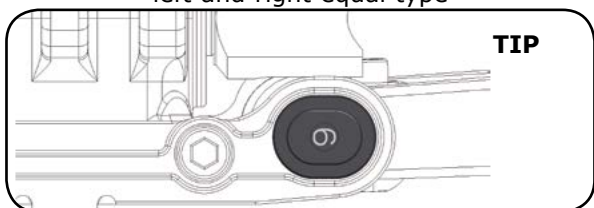


M3X14

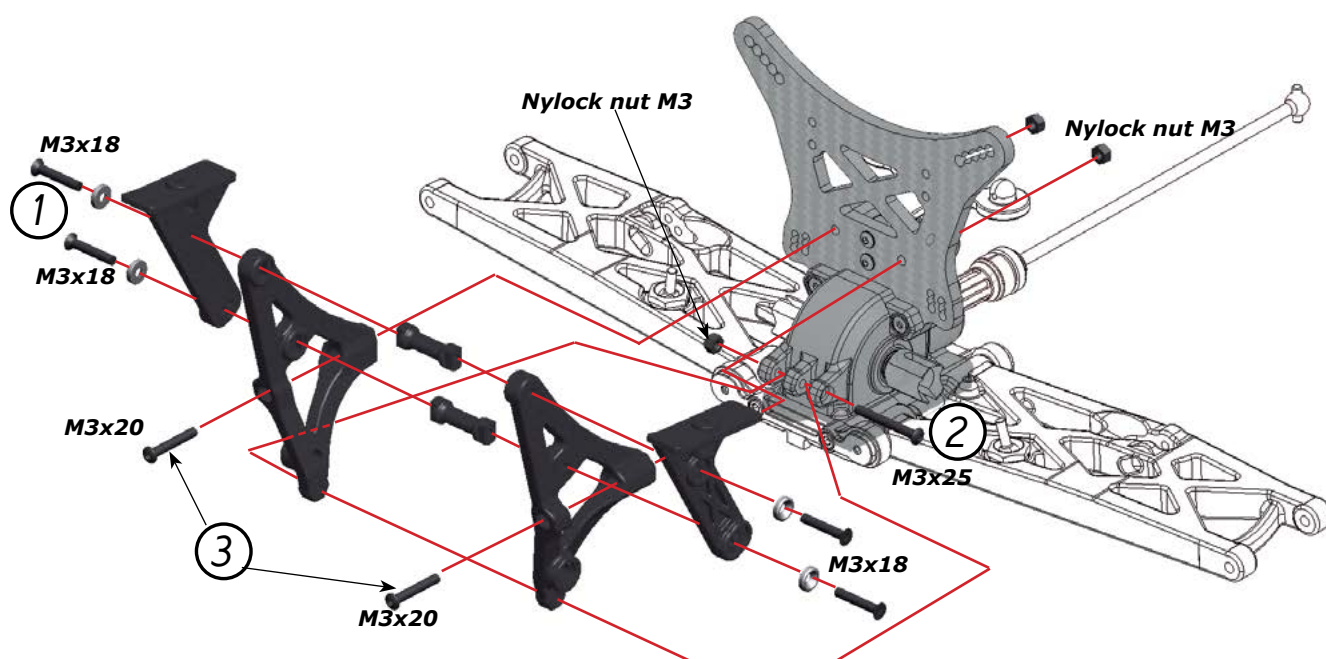
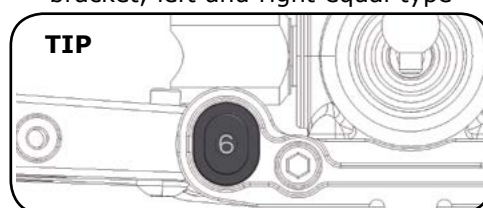
M3X16



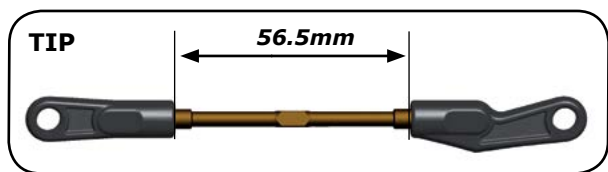
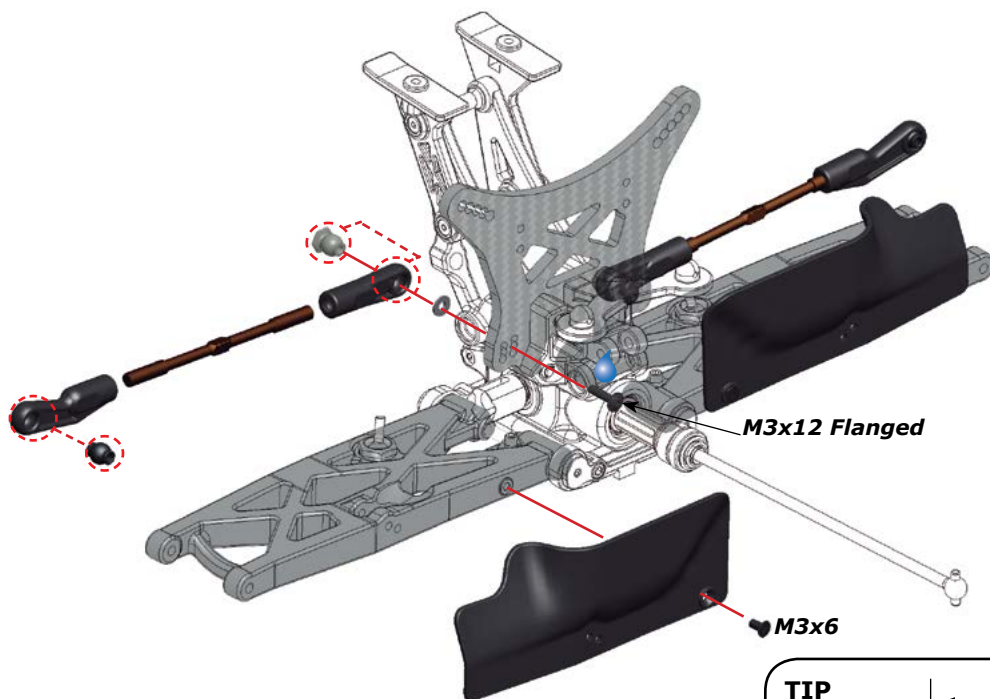
Proper insert orientation in the REAR bracket, left and right equal type



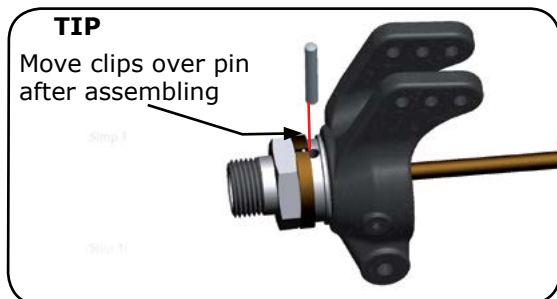
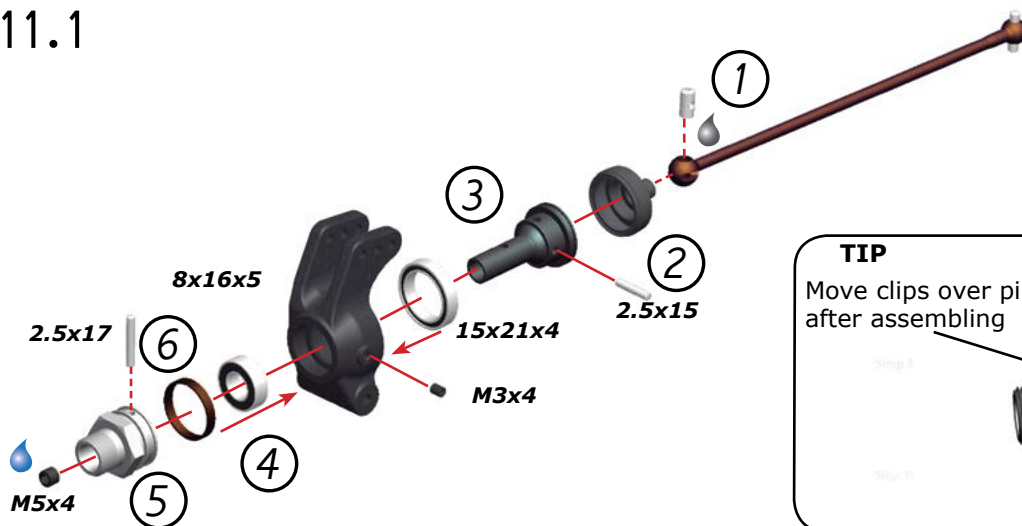
Proper insert orientation in the FRONT bracket, left and right equal type



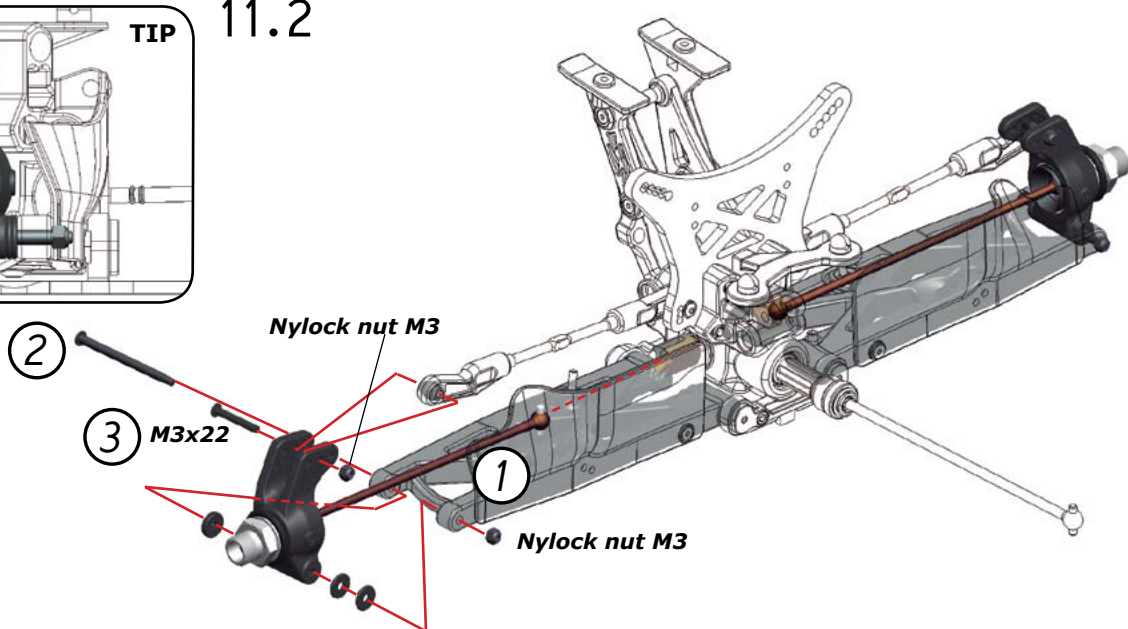
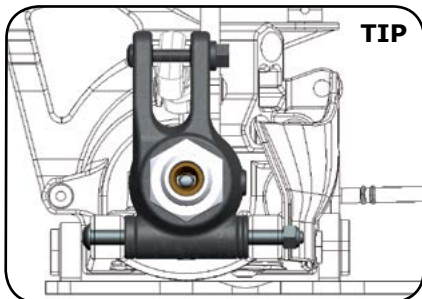




11.1



11.2



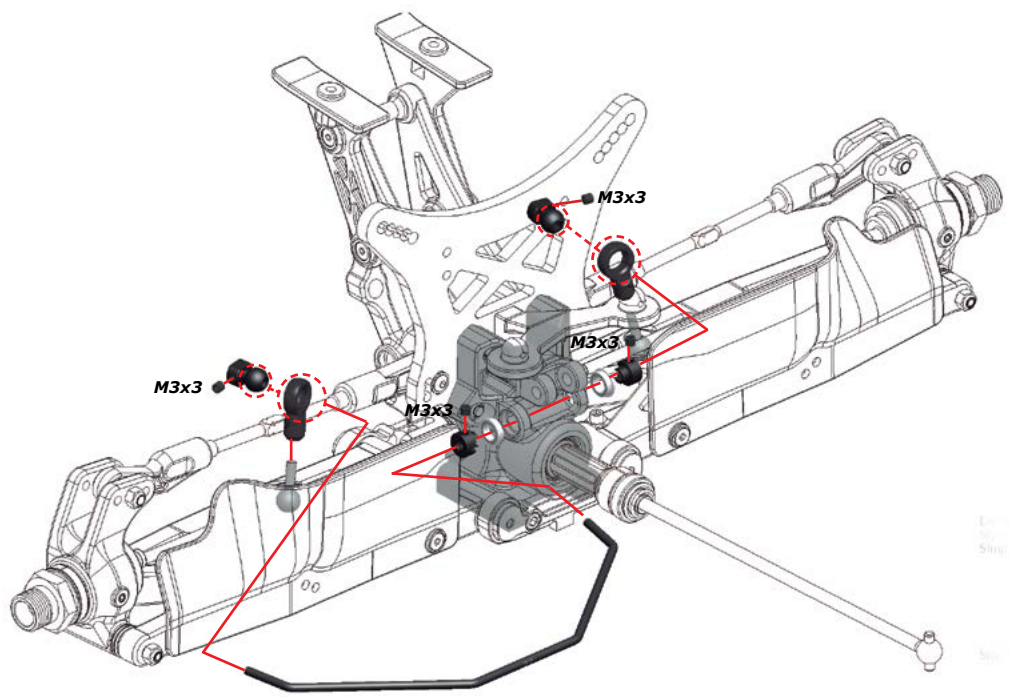
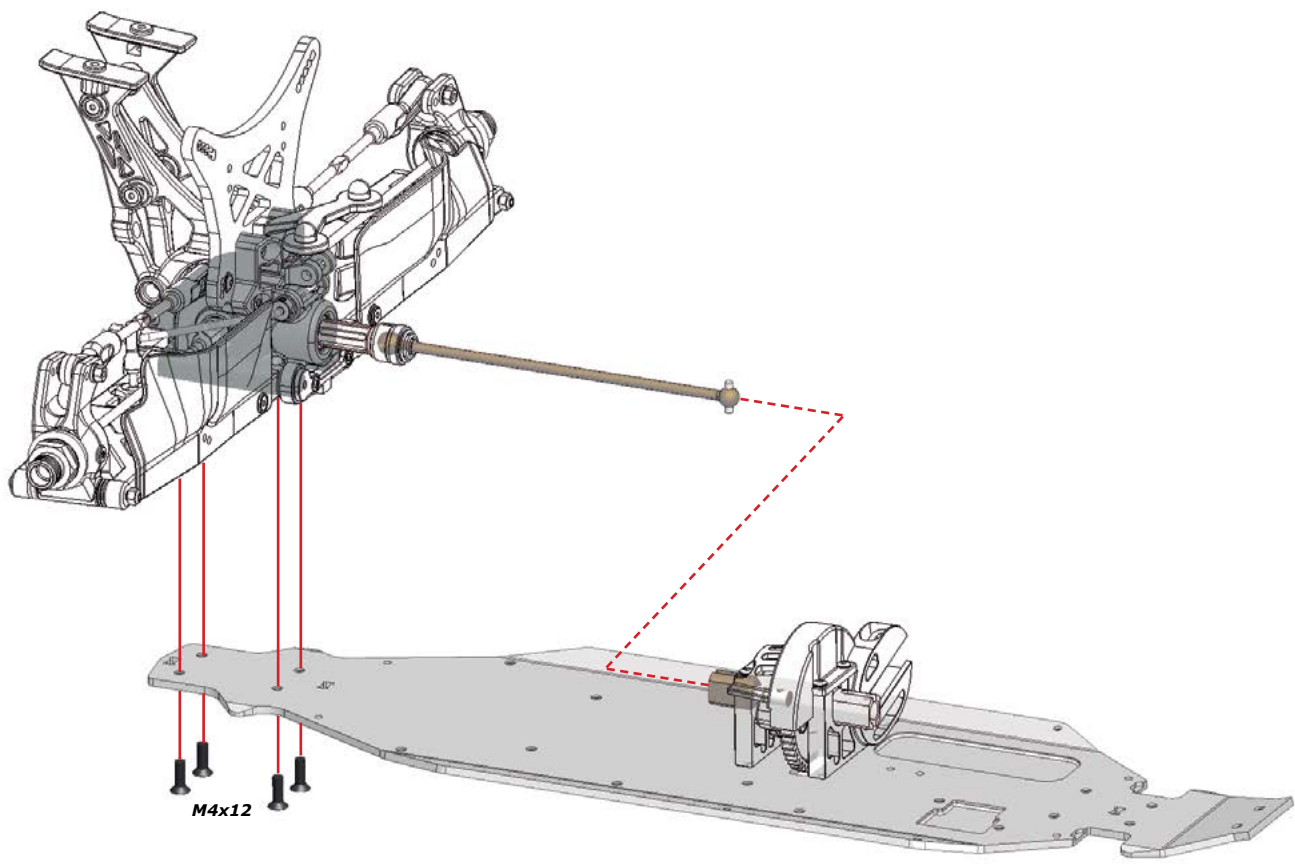
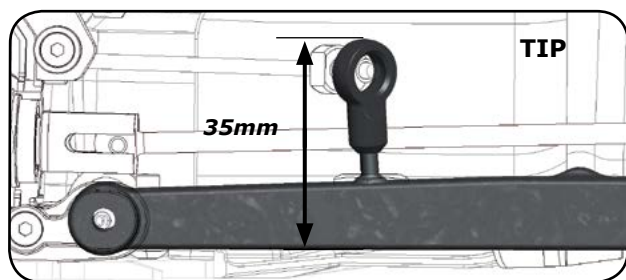
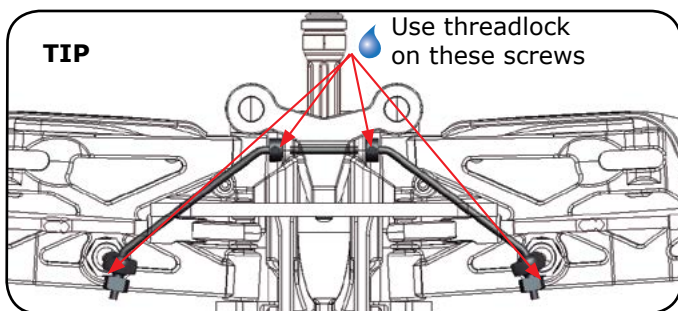


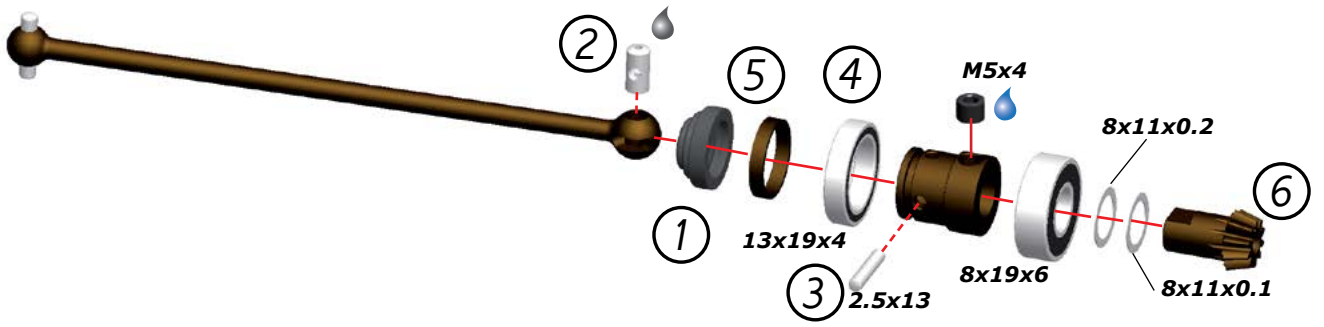
Fig. 12  
Step 12  
Step 13



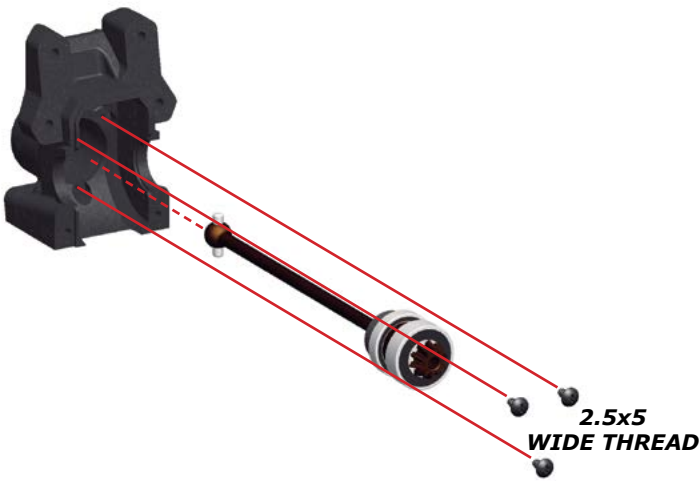
# FRONT ASSEMBLY

STEP  
14

Bag  
5



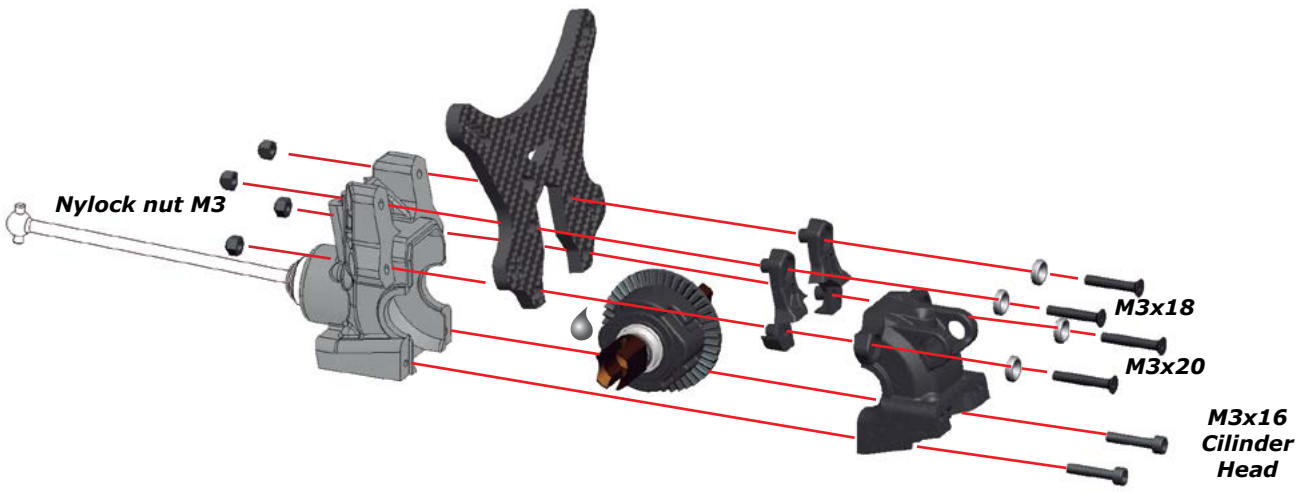
STEP  
15



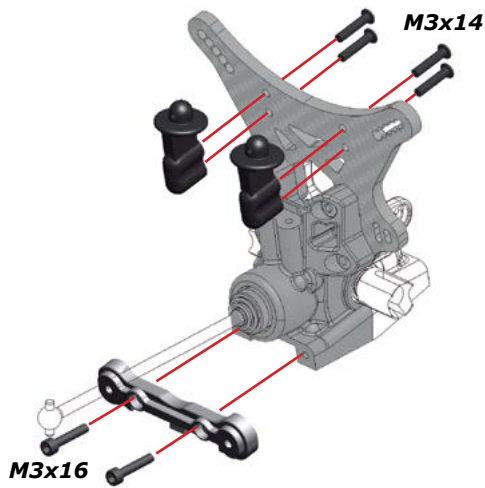
**TIP**

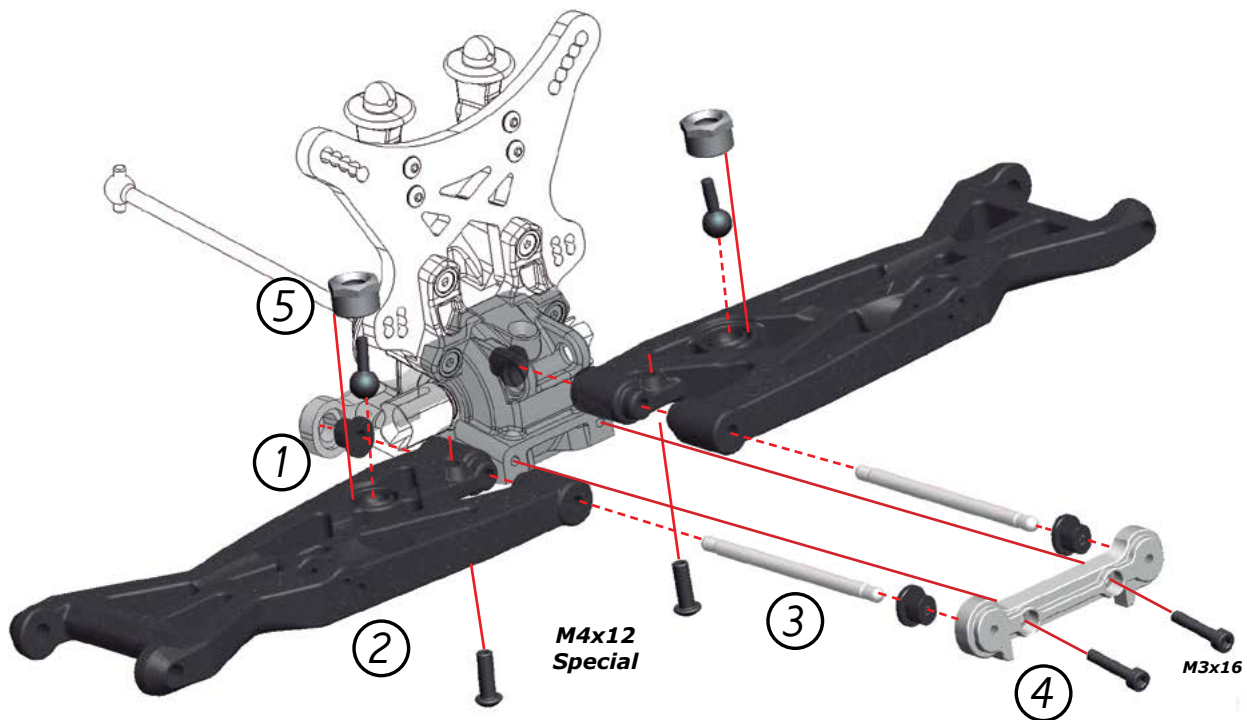
Use 14x15.6x0.2 shims to adjust proper gear mesh (shims included in the diff bag). Notice orientation of the diff.

STEP  
16

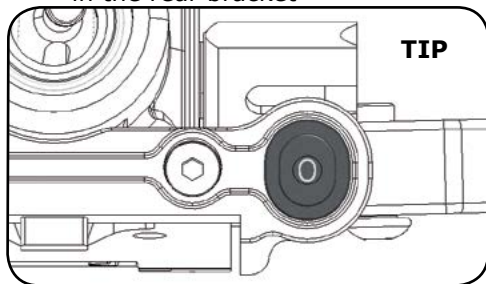


STEP  
17

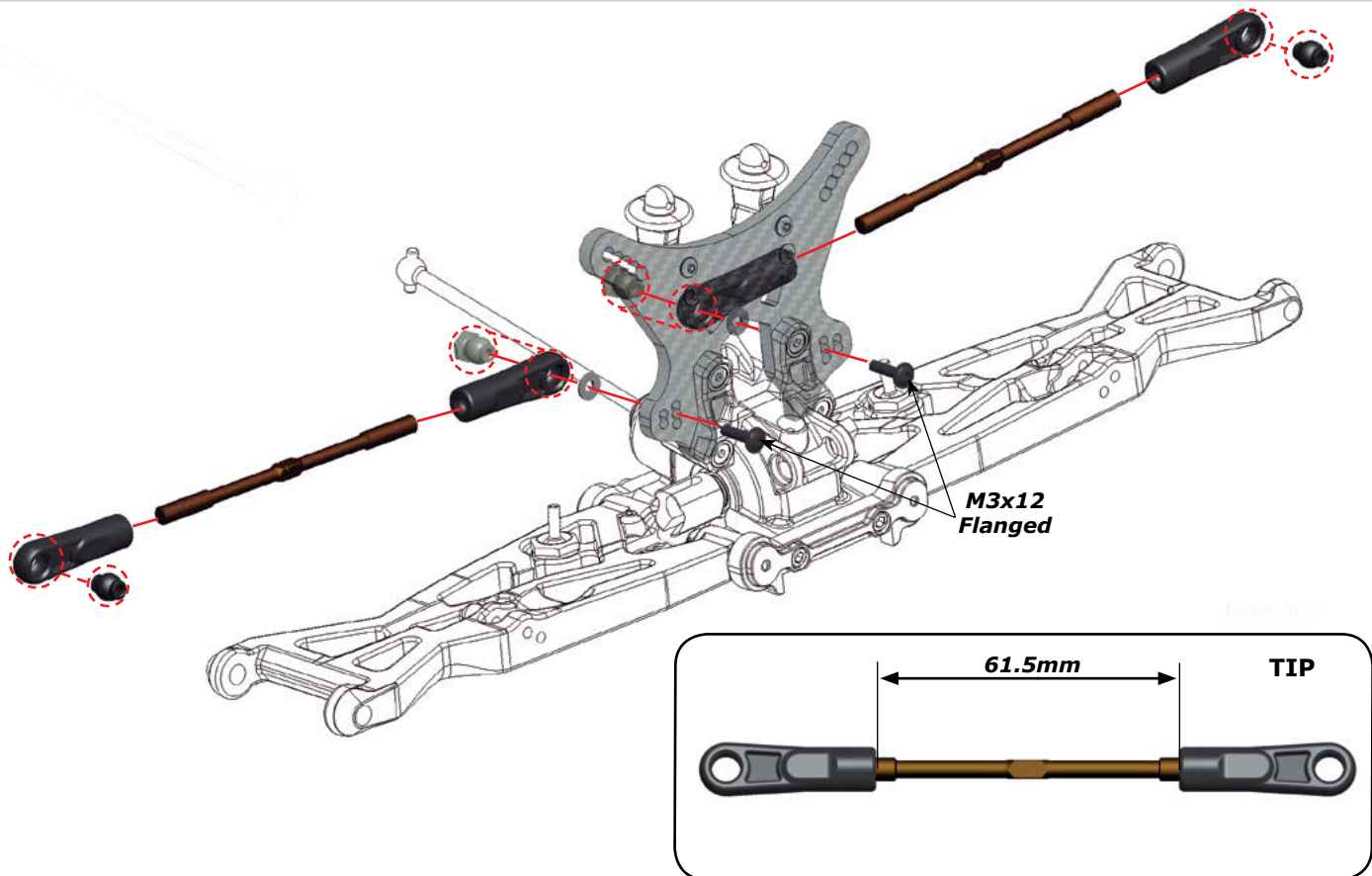
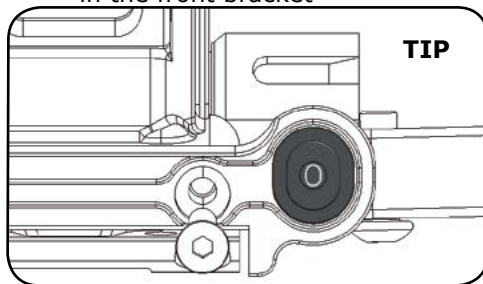


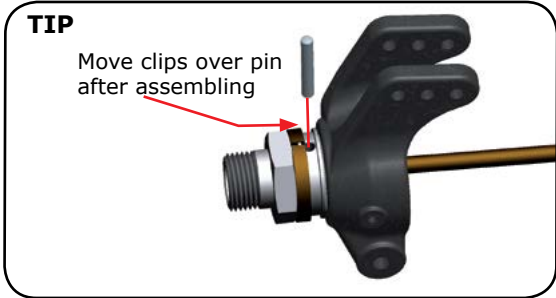
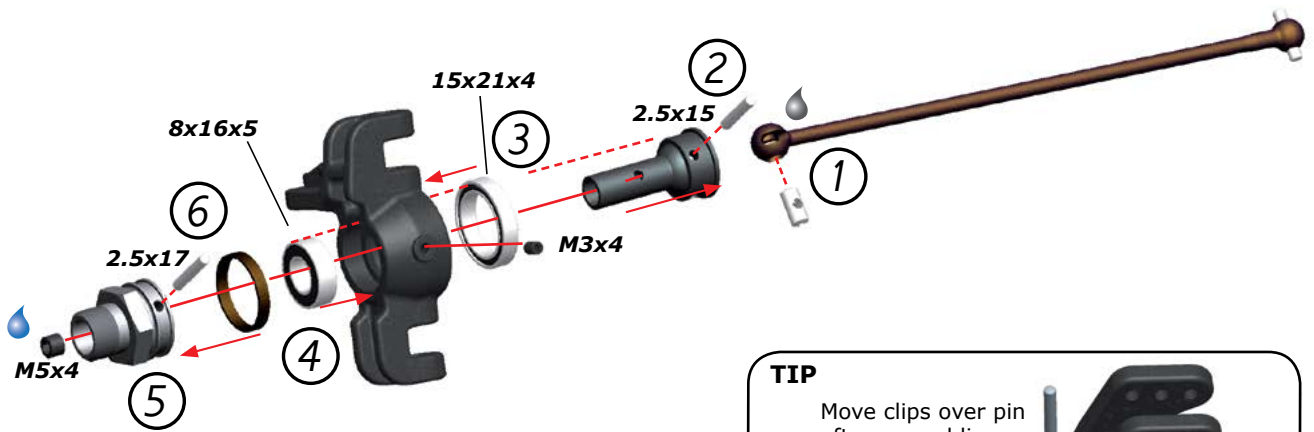


Proper insert orientation  
in the rear bracket

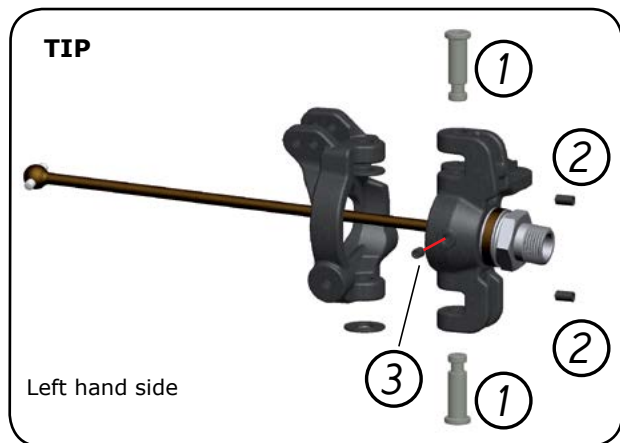
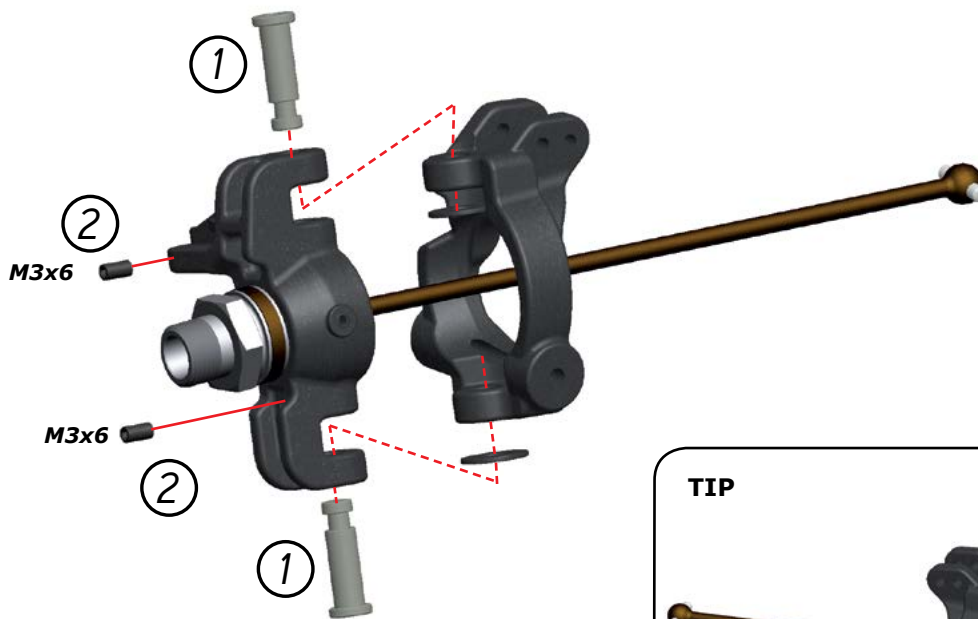


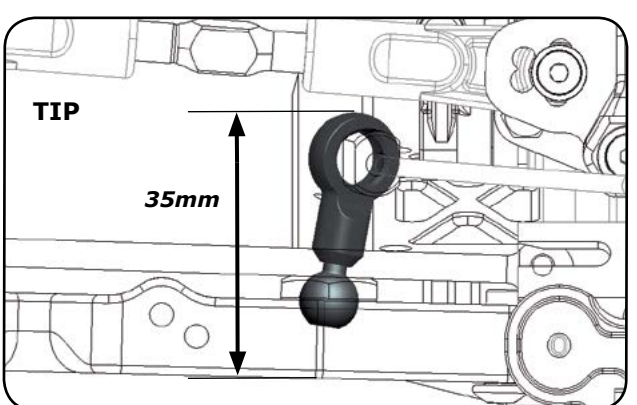
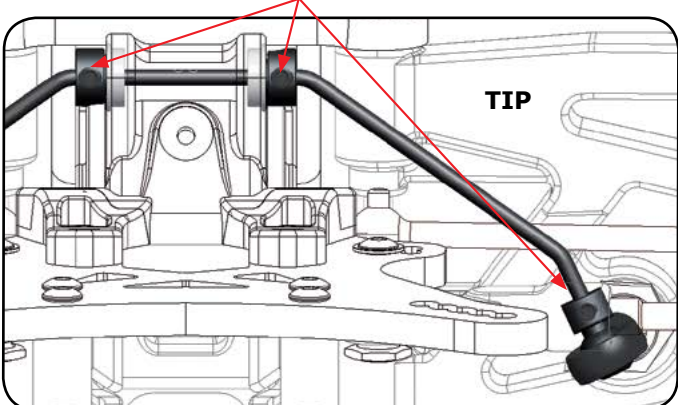
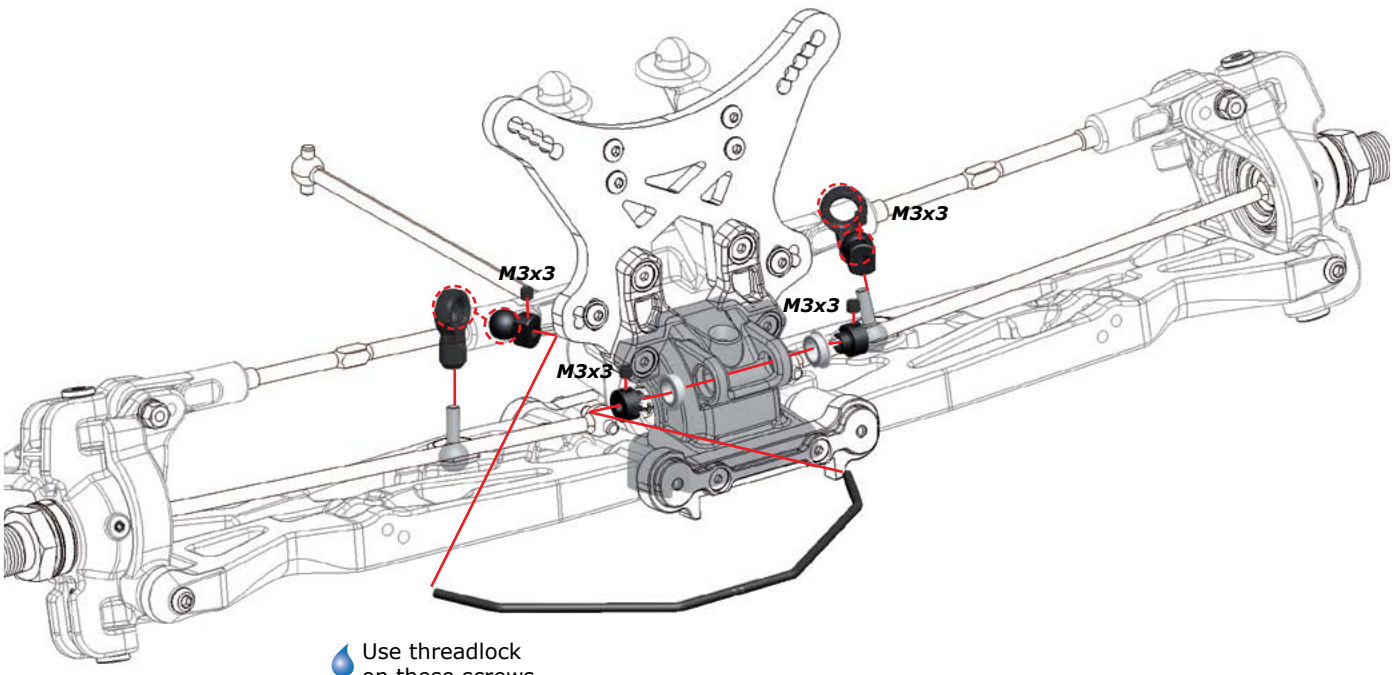
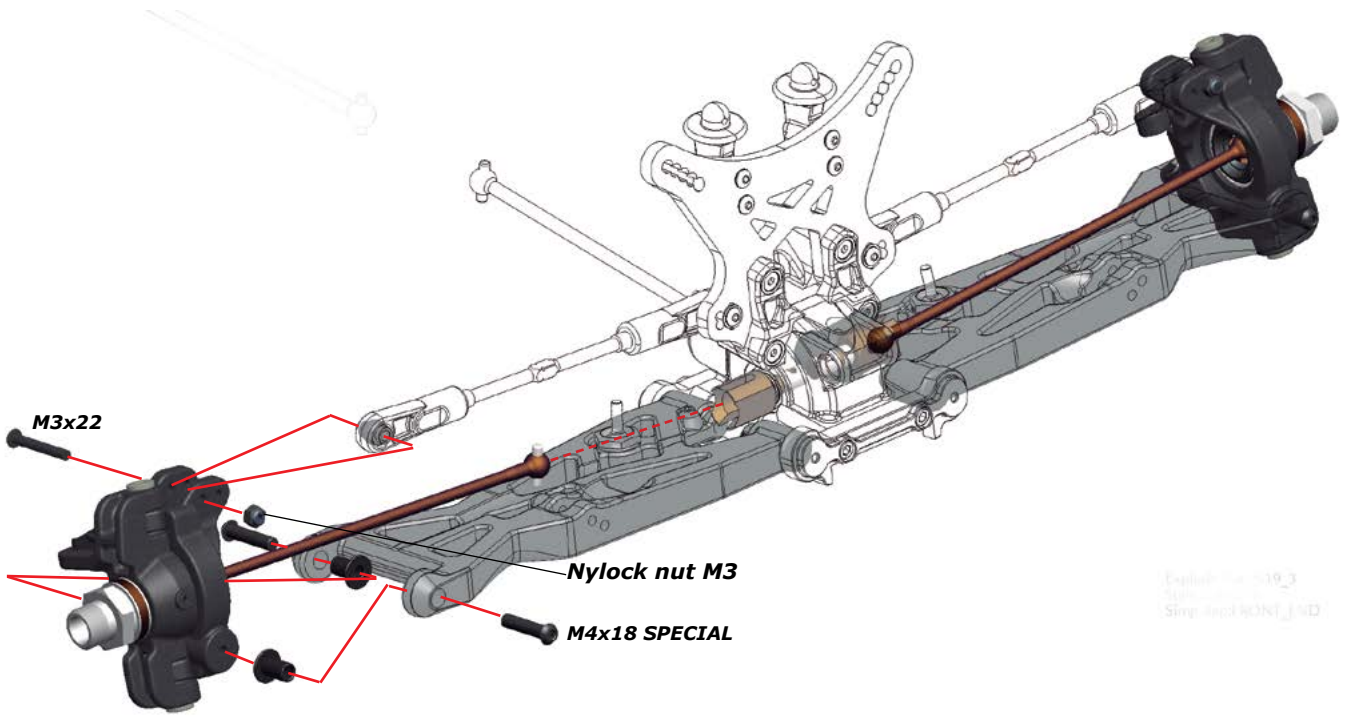
Proper insert orientation  
in the front bracket

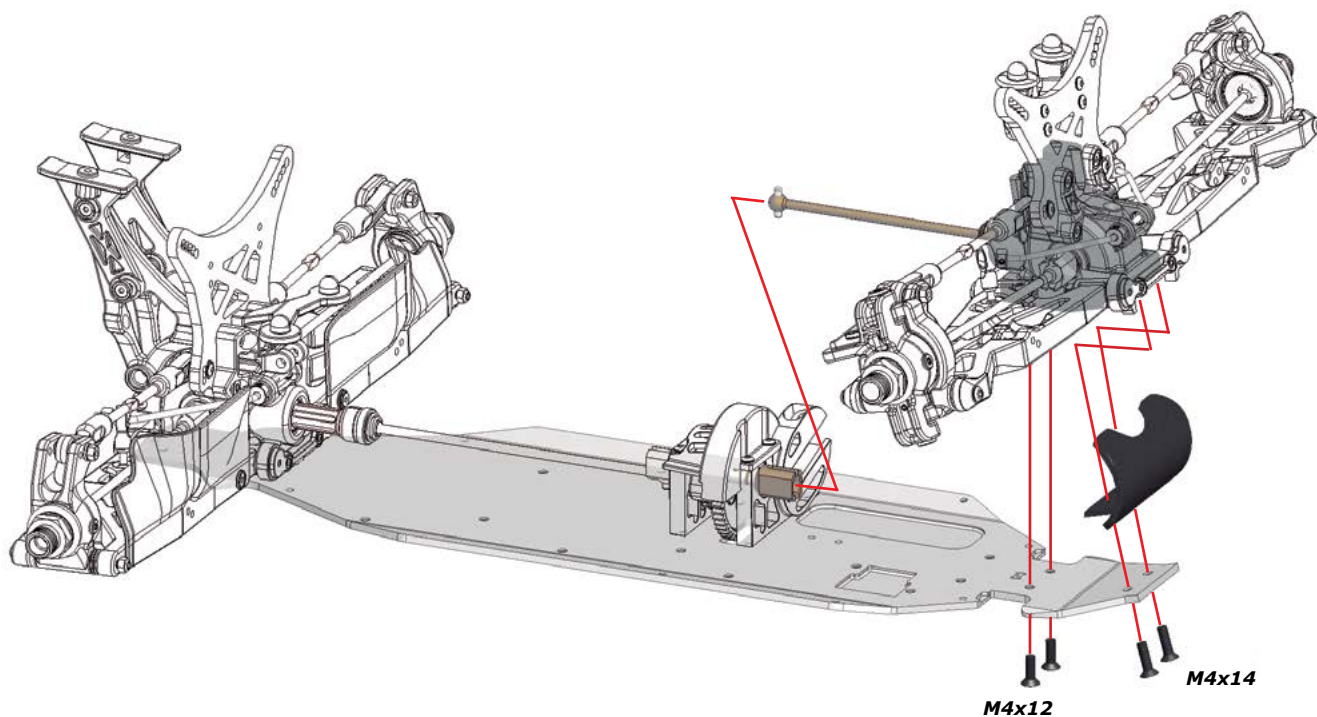




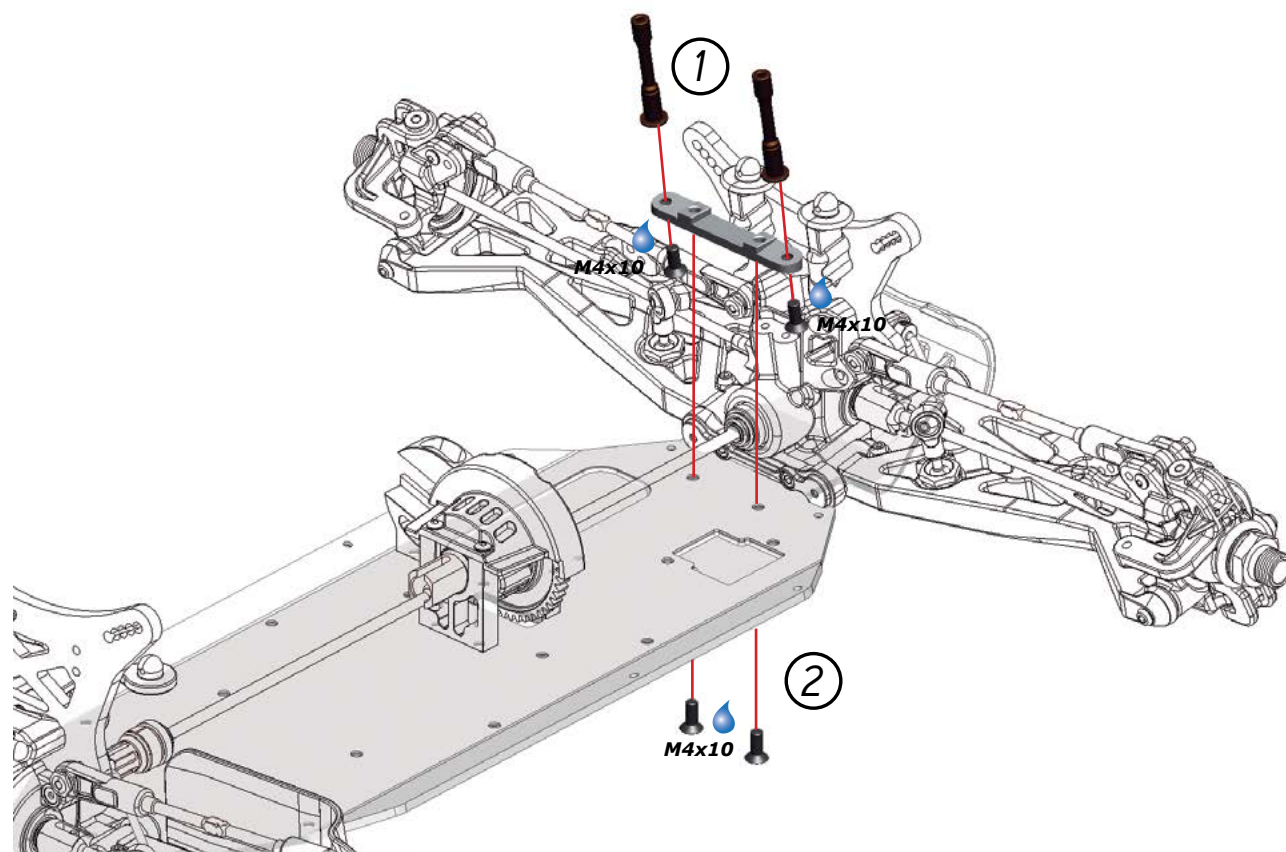
**NOTE:**  
C-hubs show L or R indication

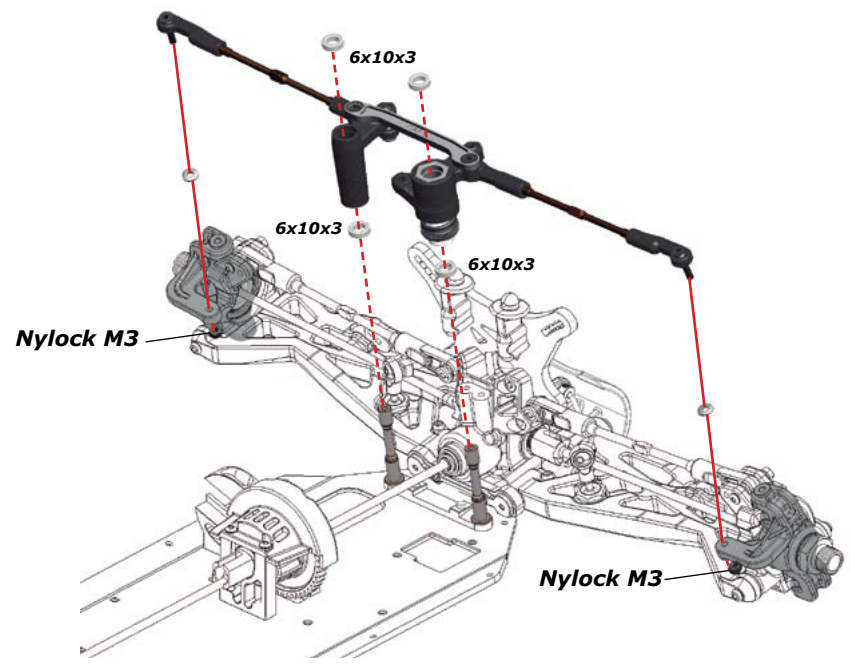
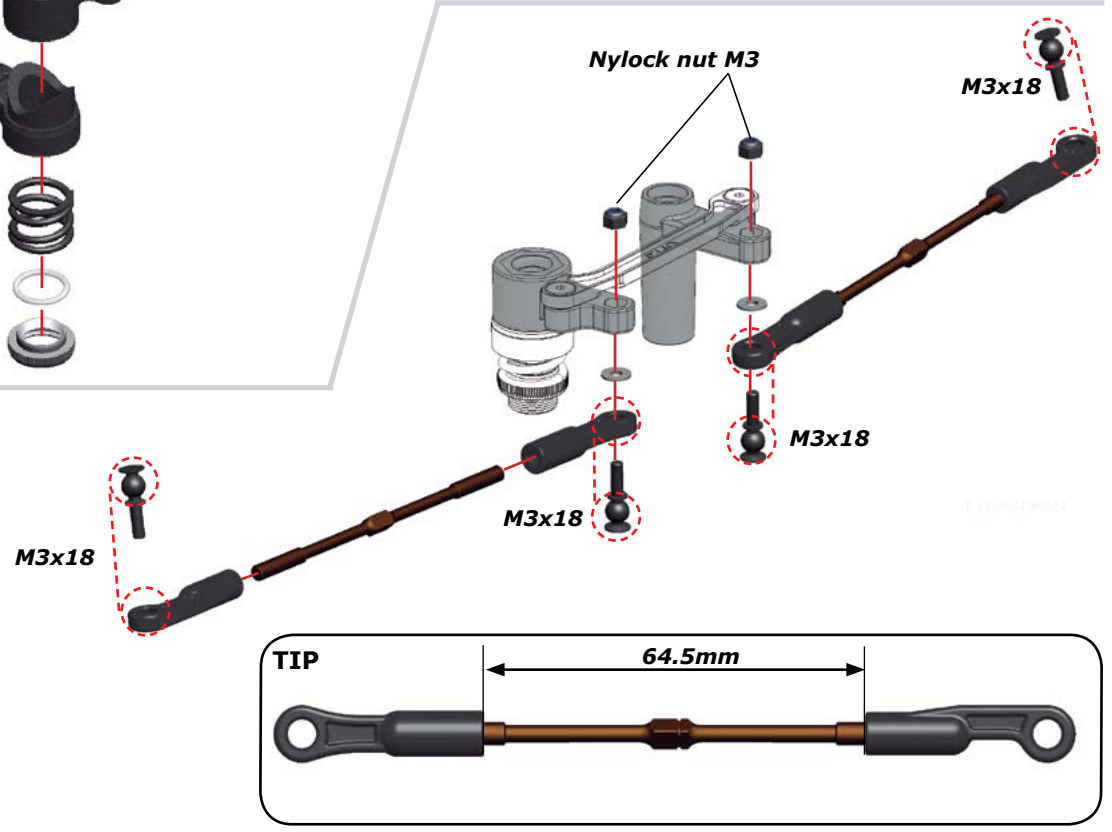
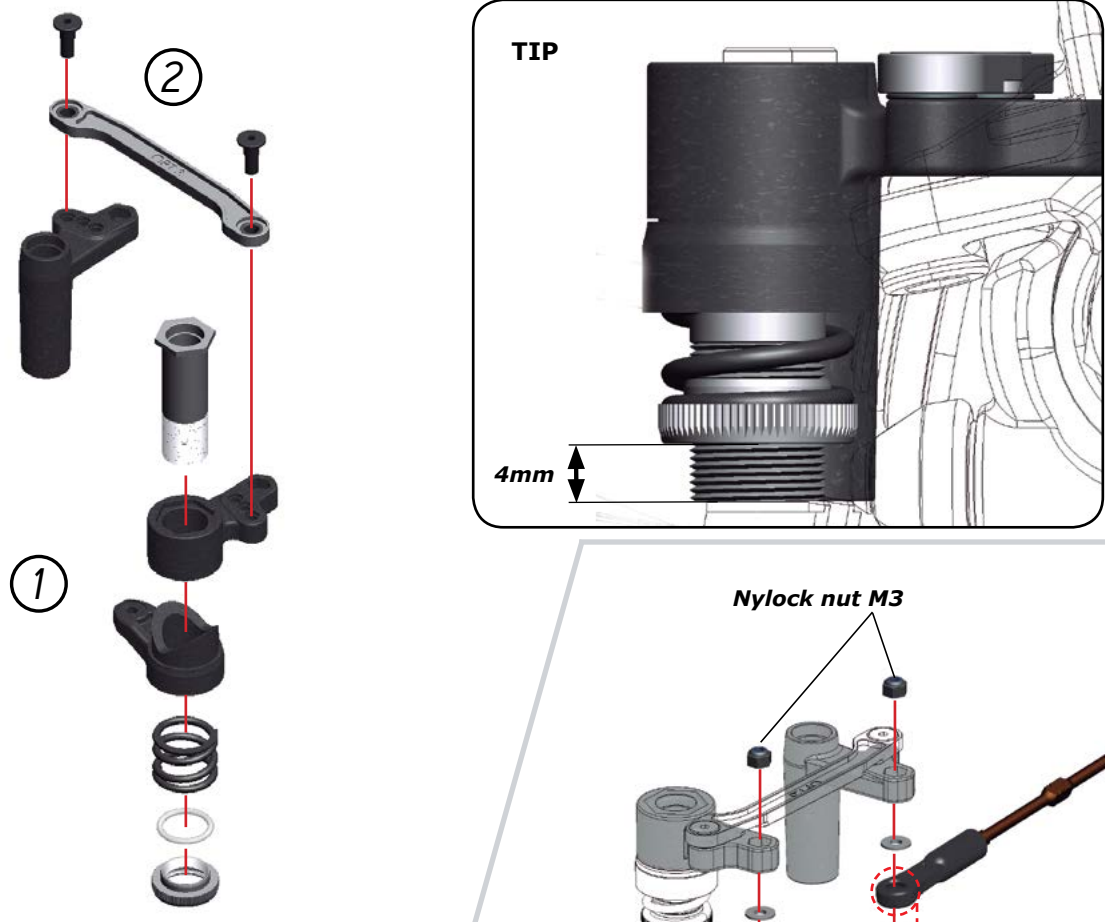




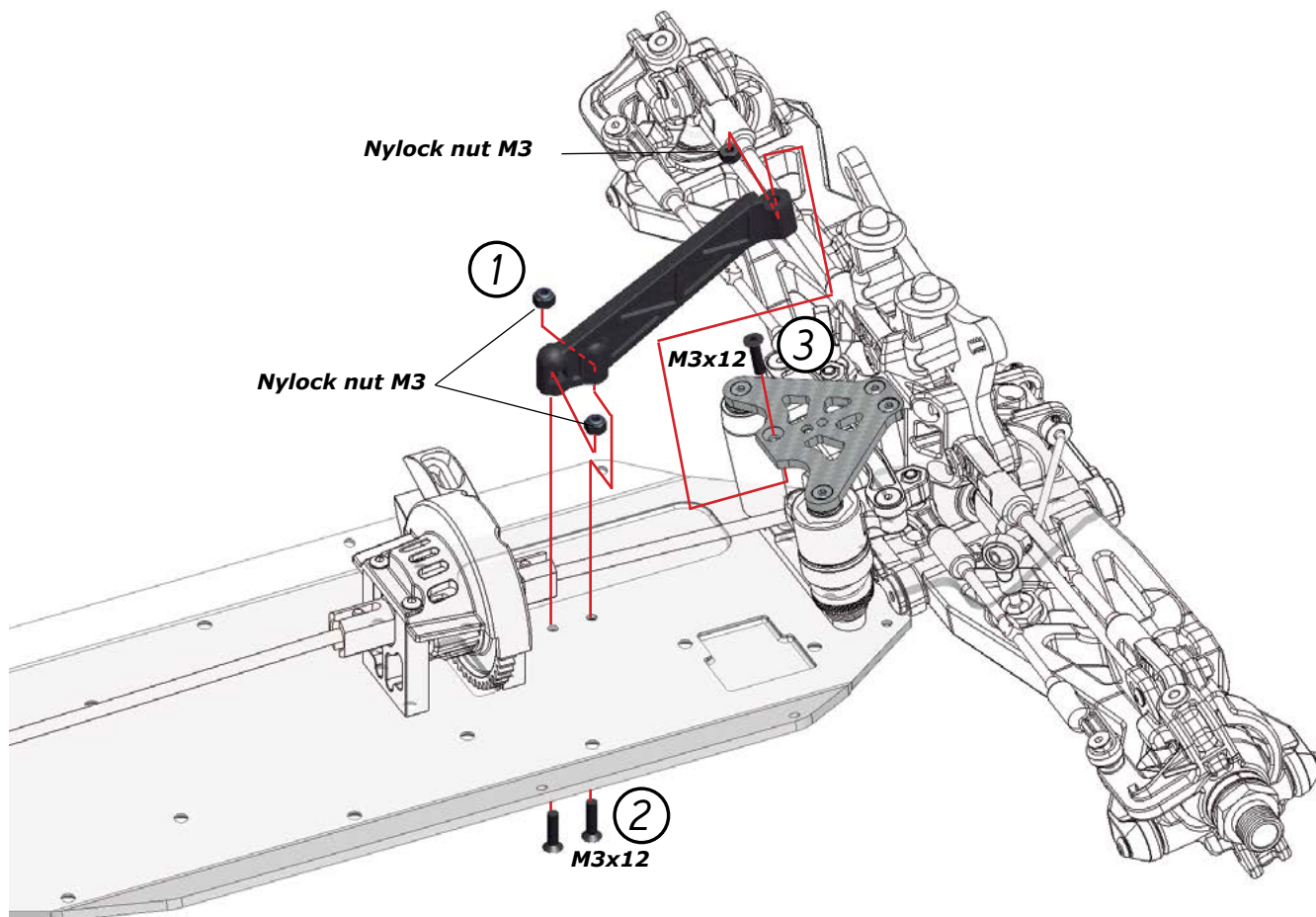
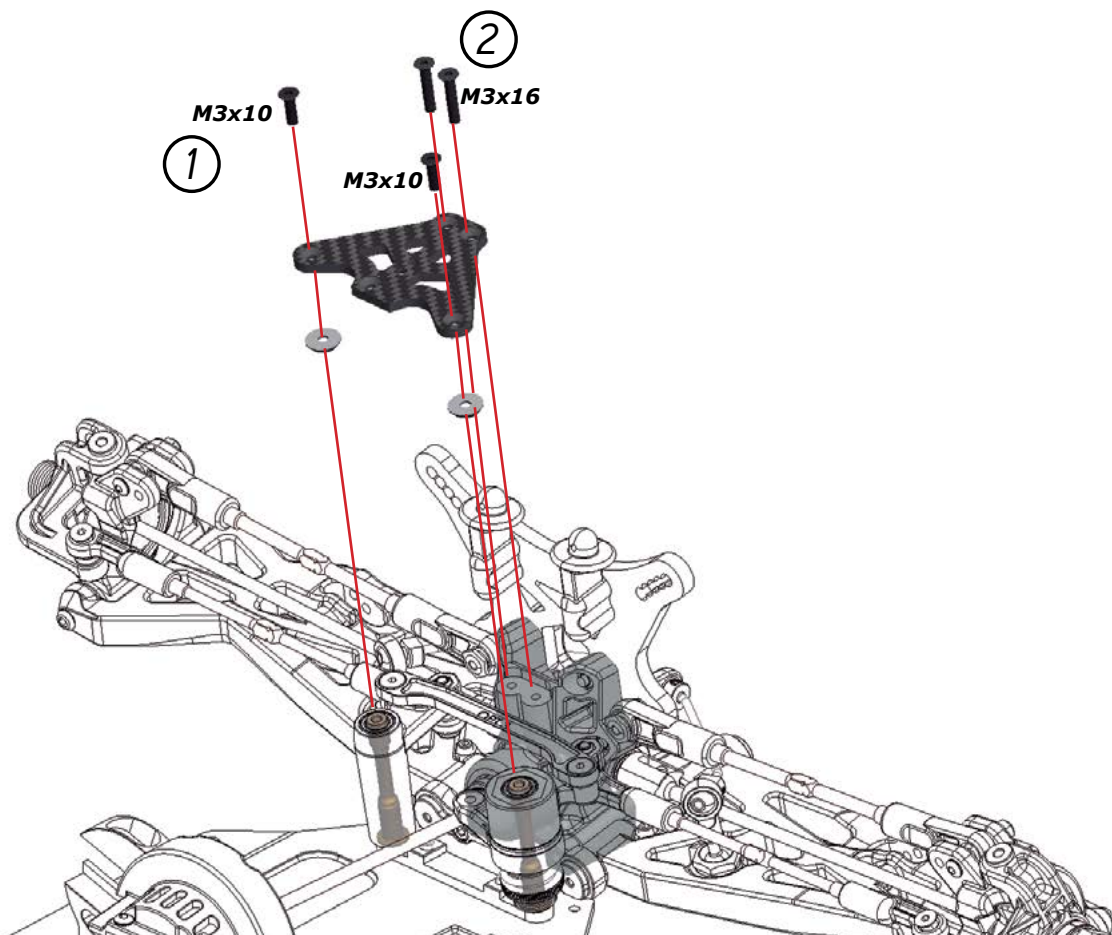


## STEERING ASSEMBLY





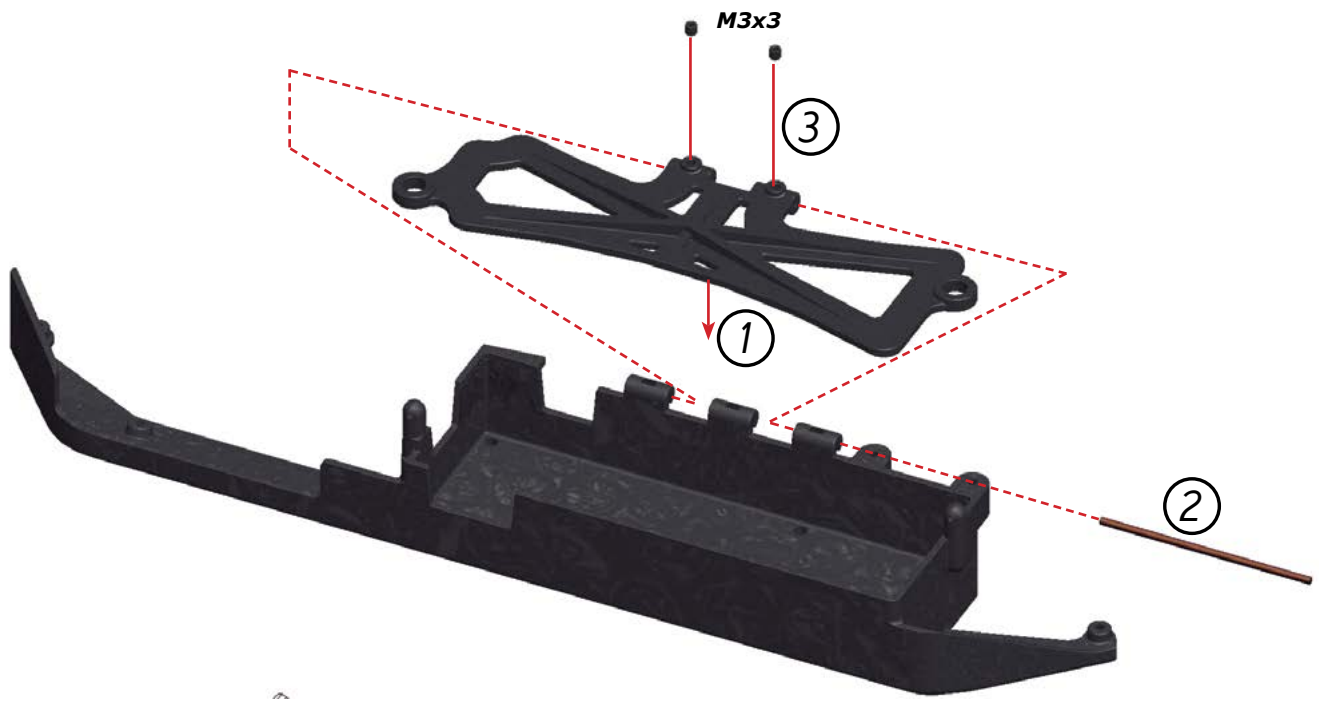




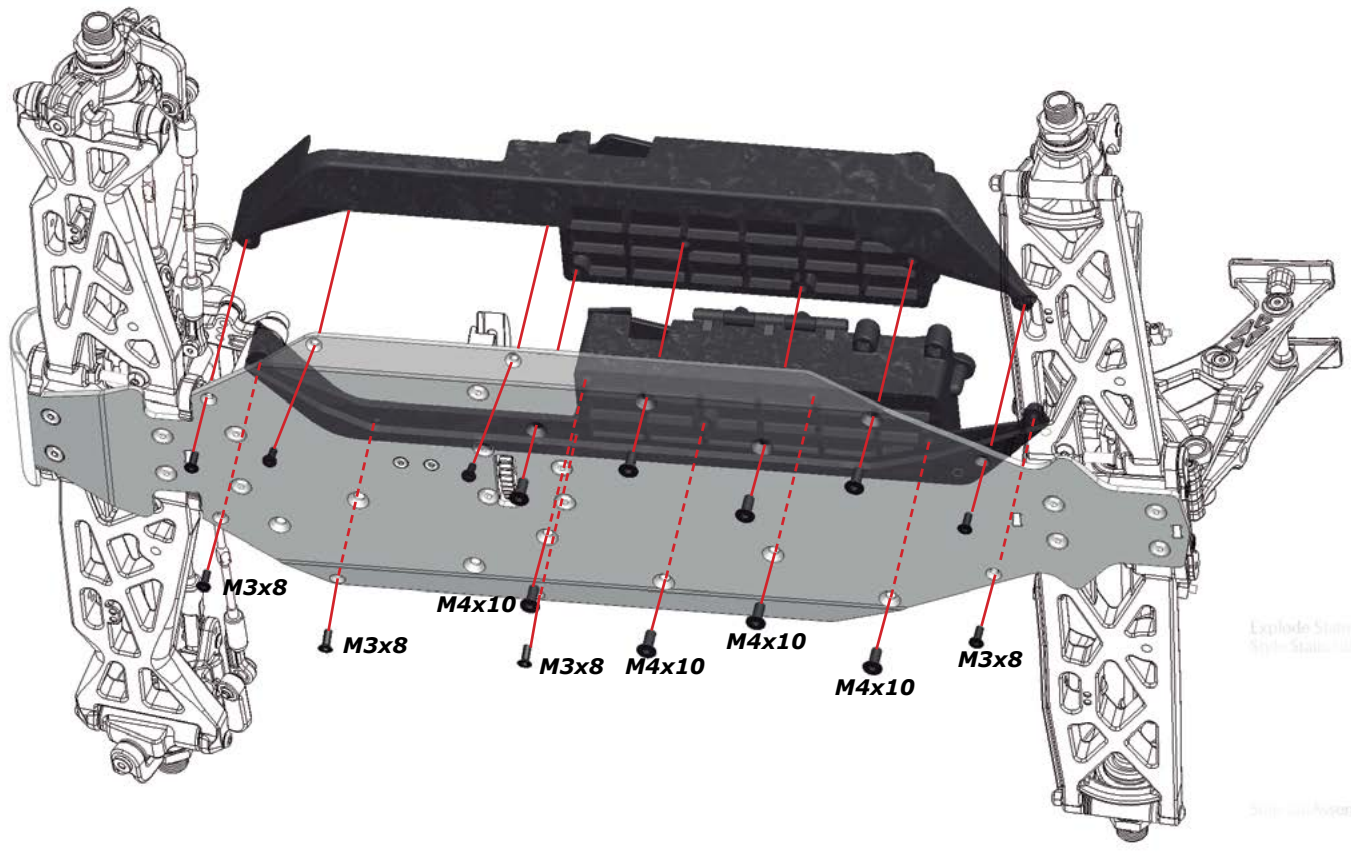
# SIDE-GUARD / RADIO ASSEMBLY

STEP  
31

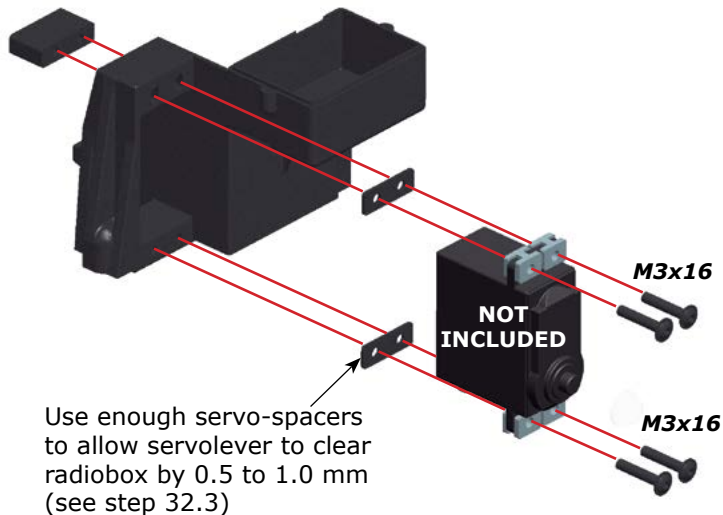
Bag  
8



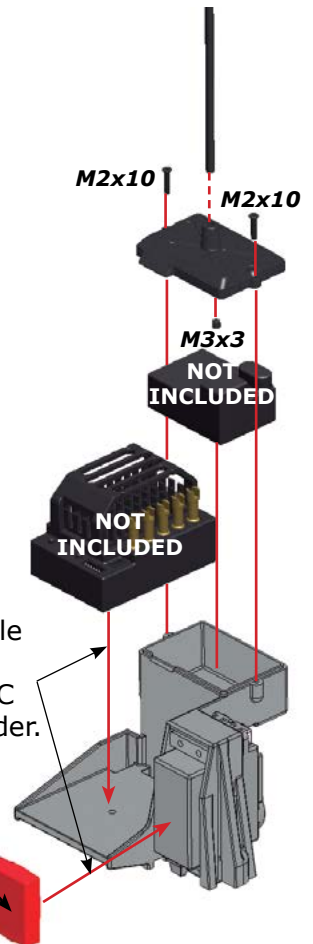
STEP  
32



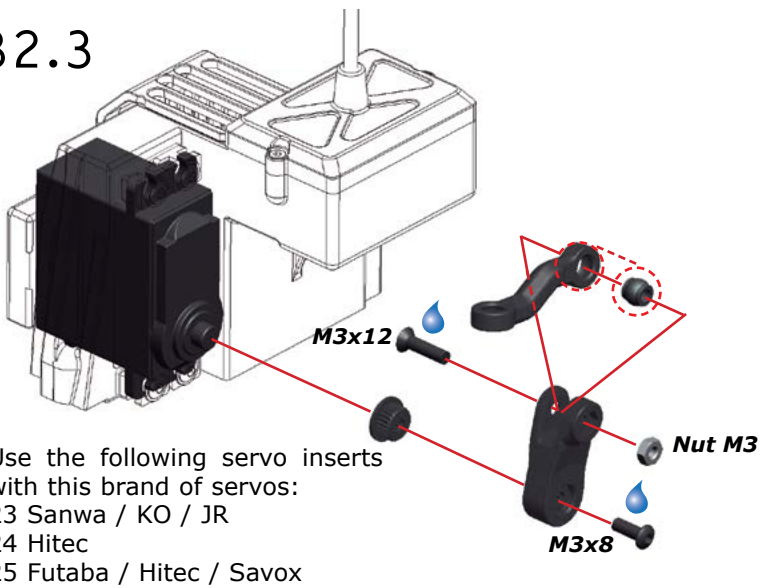
32.1



32.2

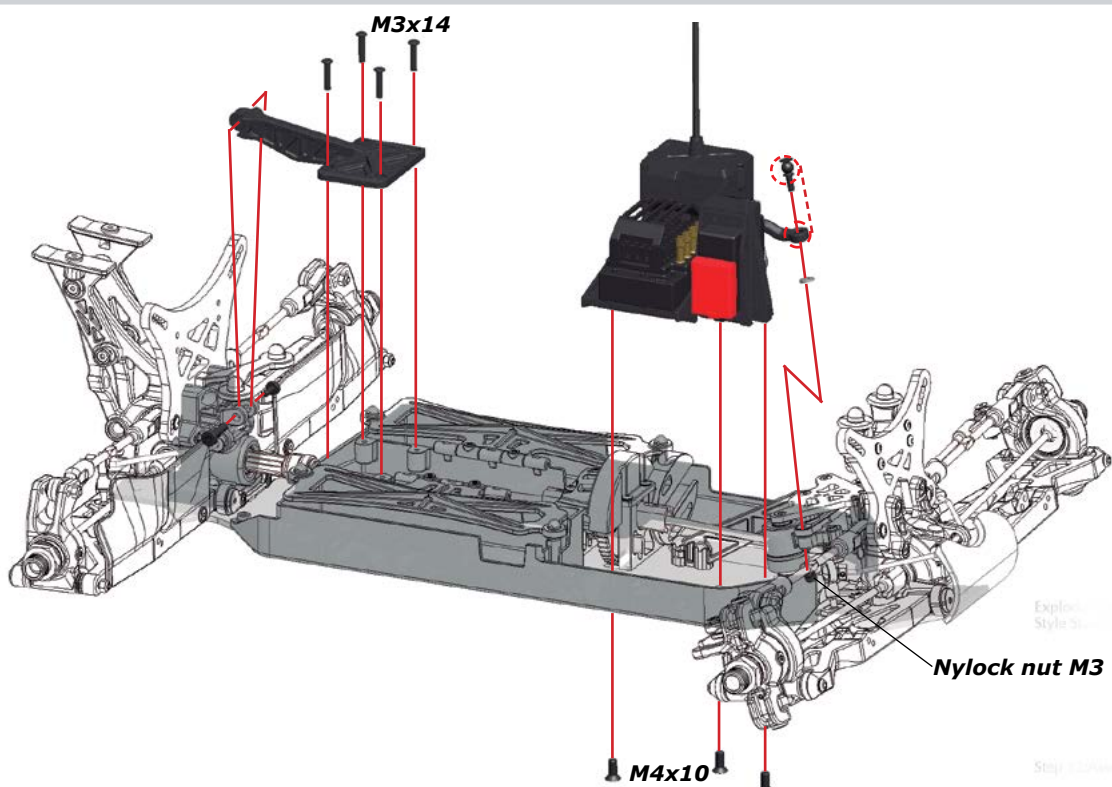
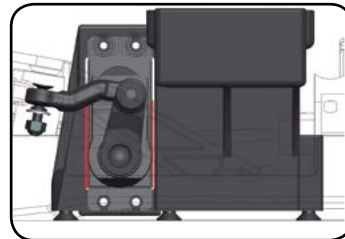


32.3



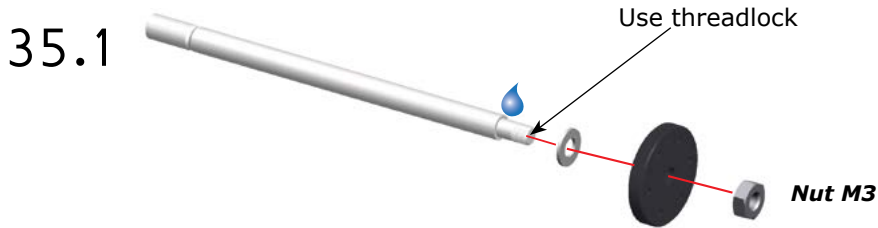
NOT INCLUDED

Tip: Note orientation of the servolever

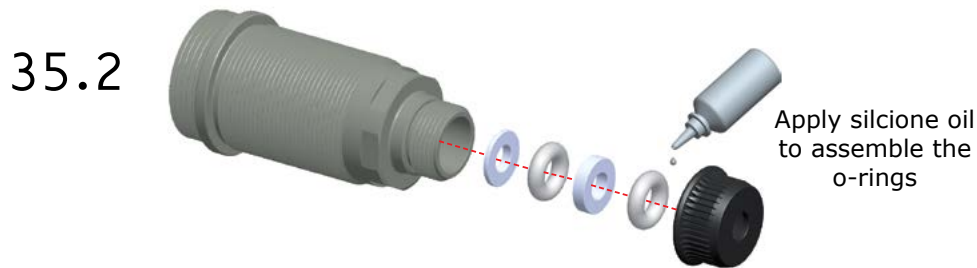


# SHOCK ASSEMBLY

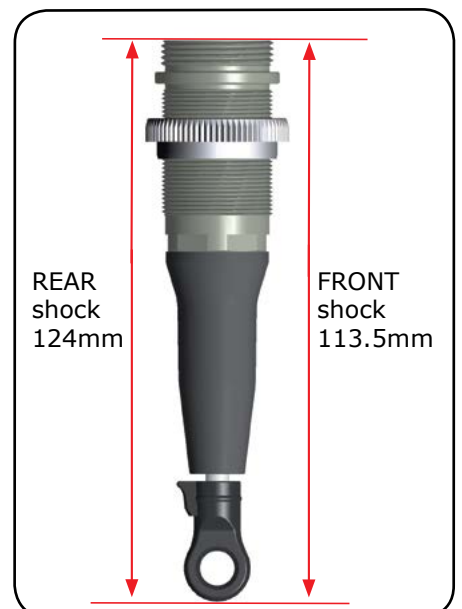
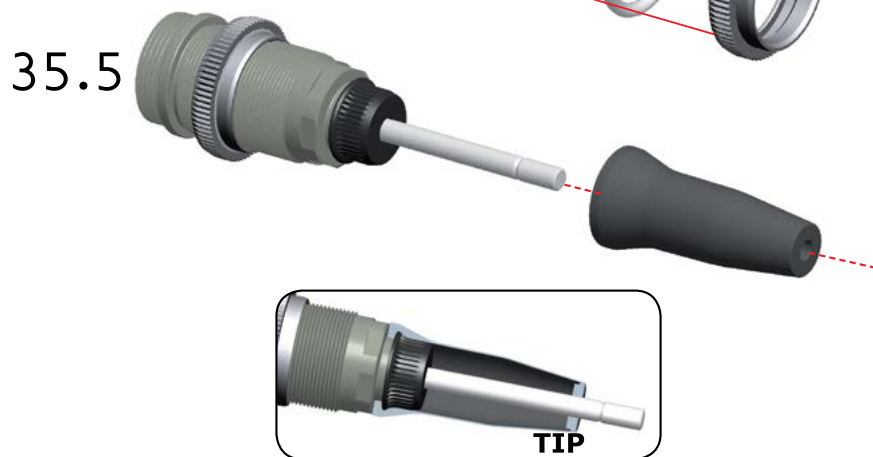
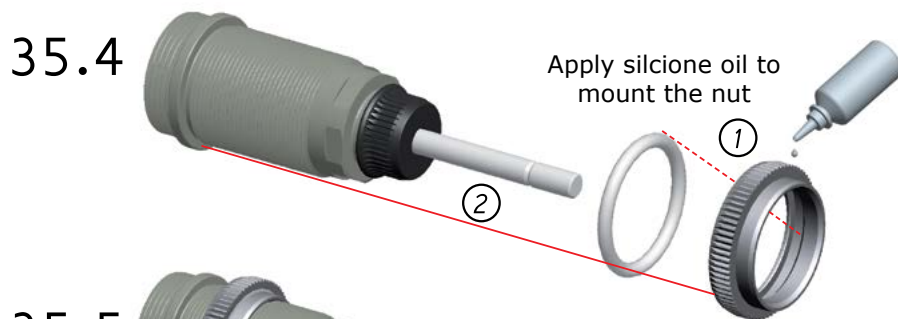
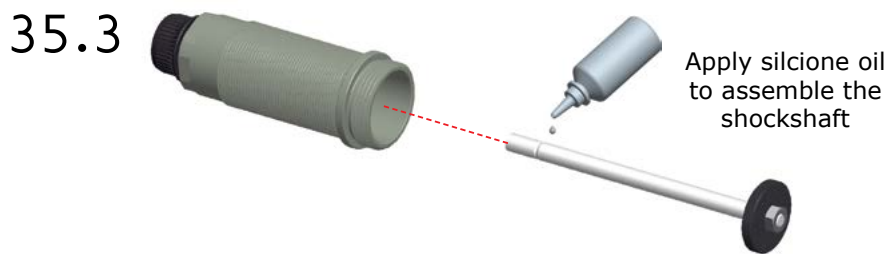
STEP  
35



Bag  
9  
RR



Bag  
10  
FR



35.7



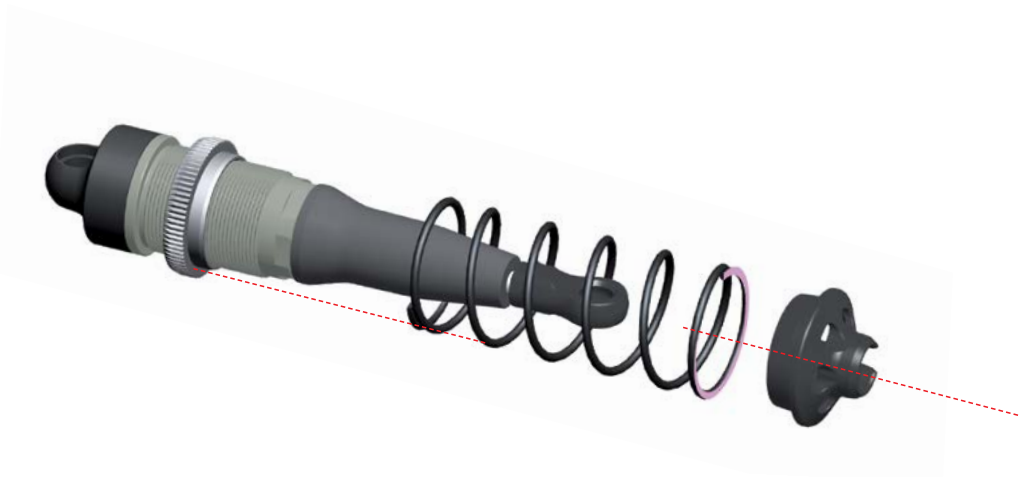
Push membrane into the shock top

35.8

- Fill up with silicone oil
- Wait for air bubbles to escape
- Close top only 3/4
- Check default SET-UP sheet for CST value of silicone oil

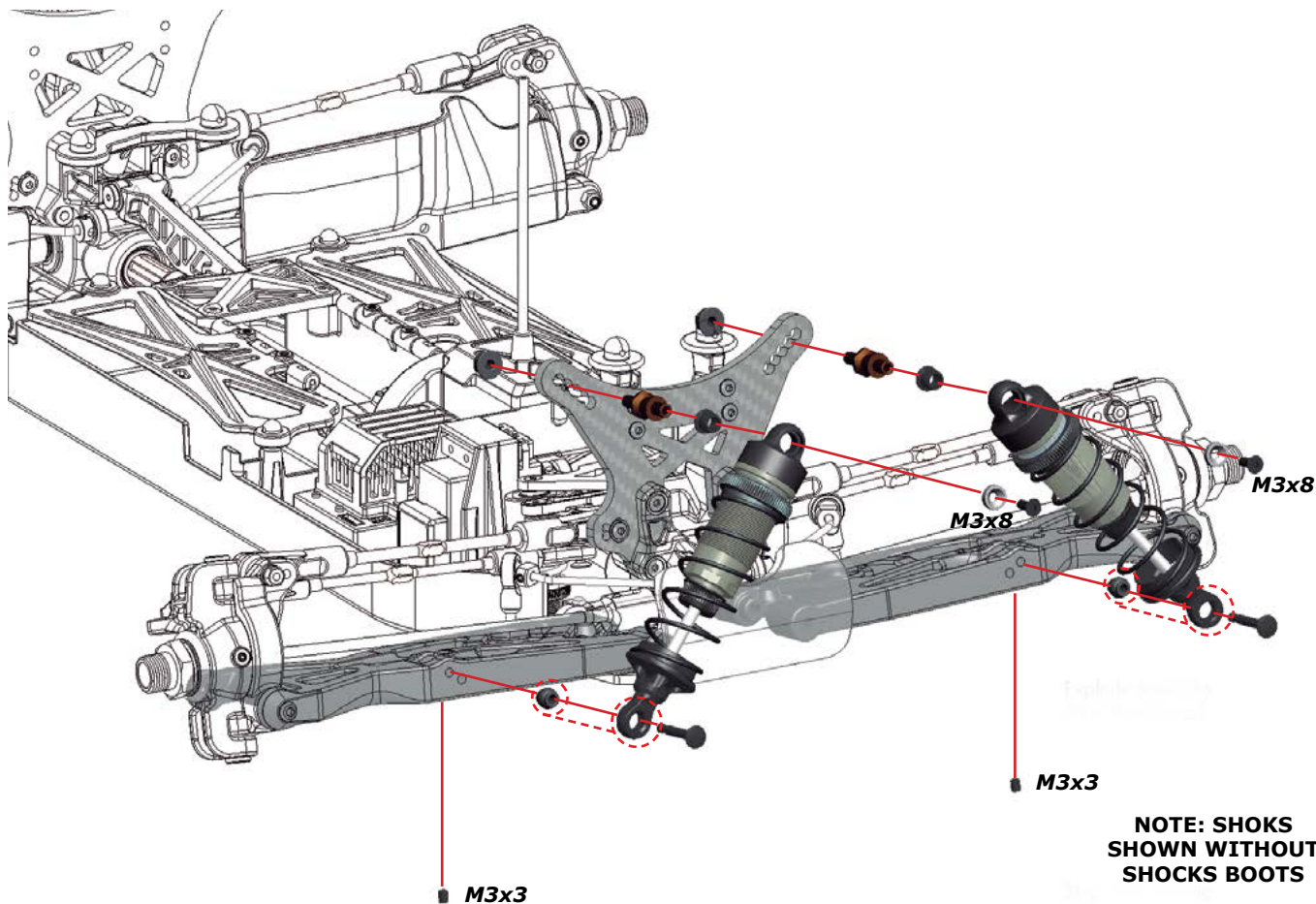


35.9

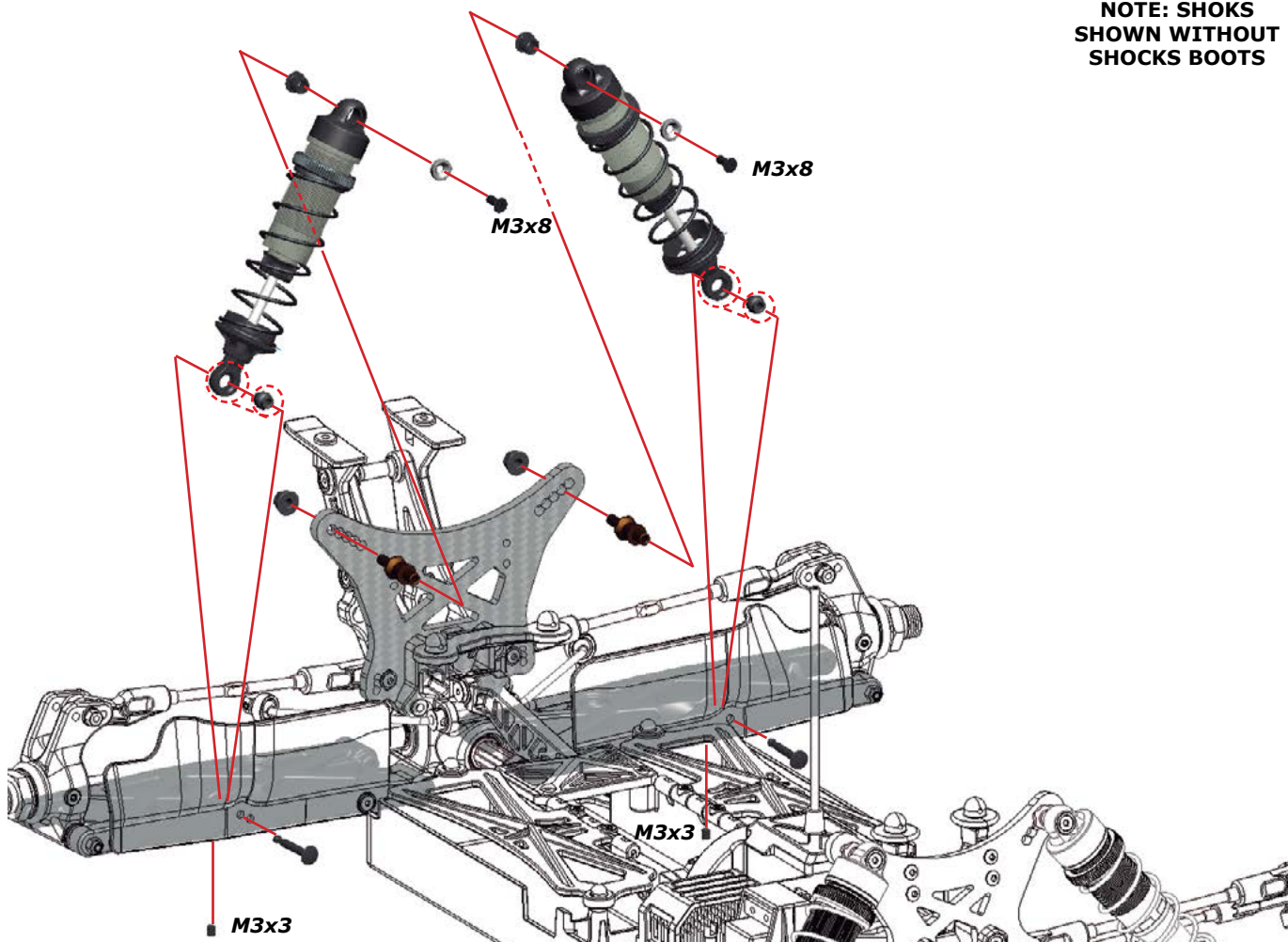


# SHOCK MOUNTING

STEP  
35



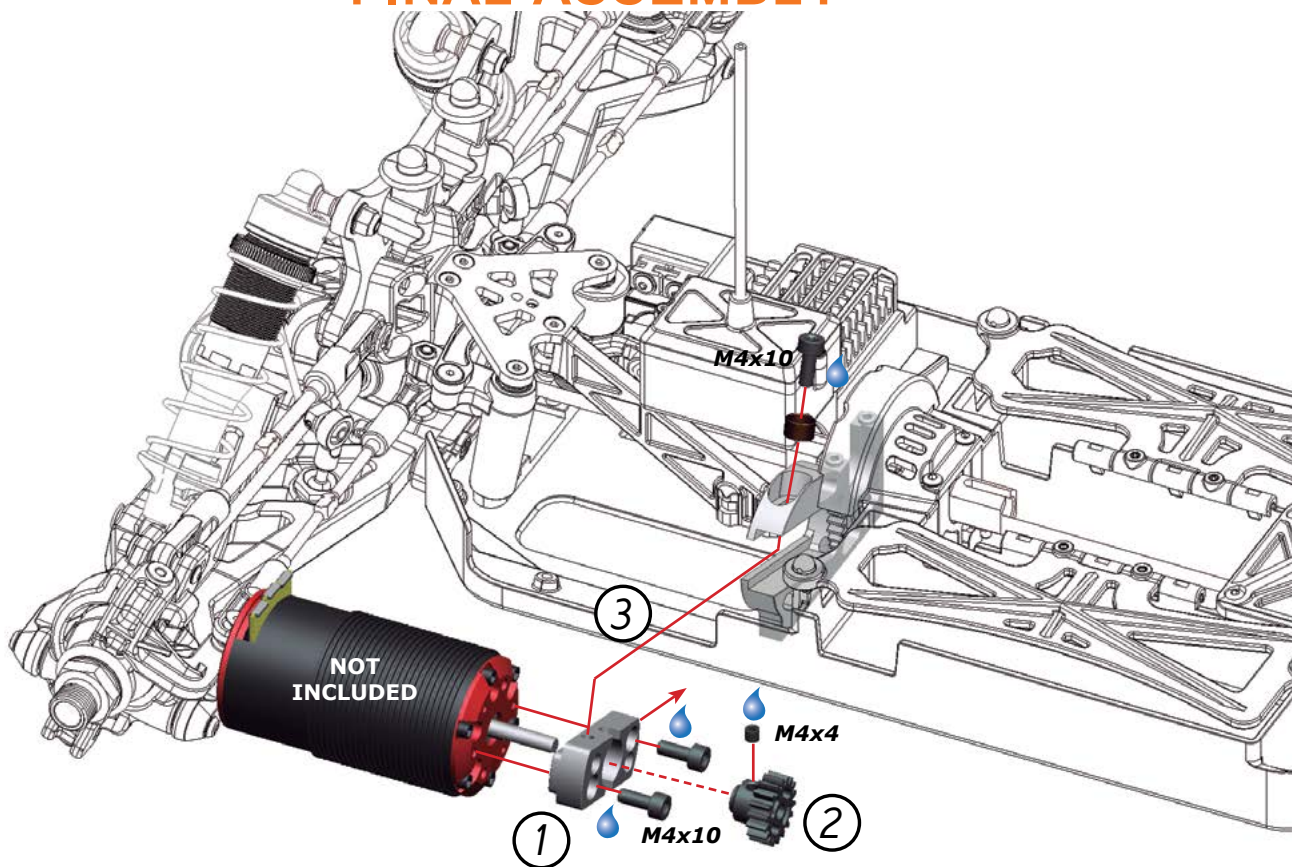
STEP  
36



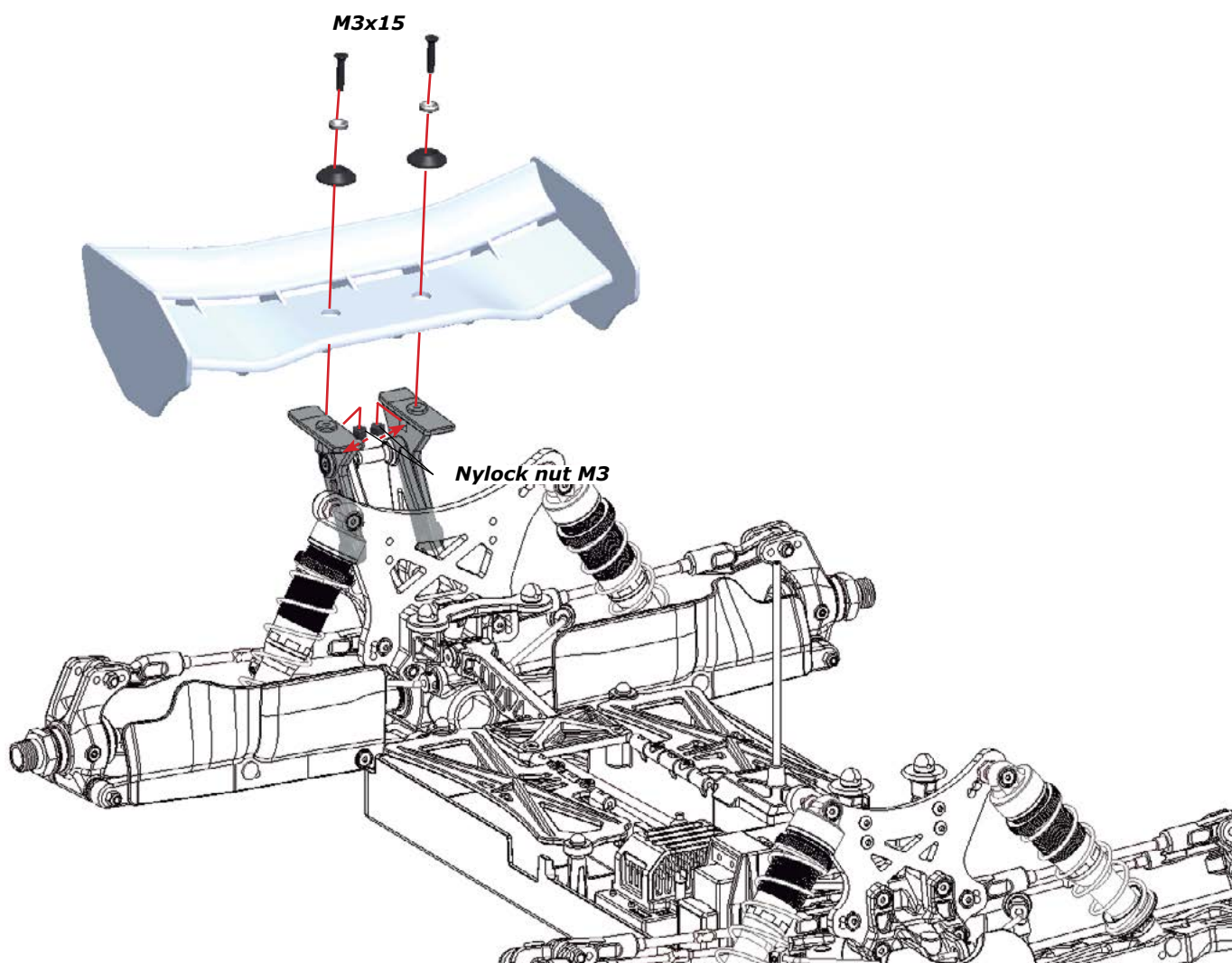
# FINAL ASSEMBLY

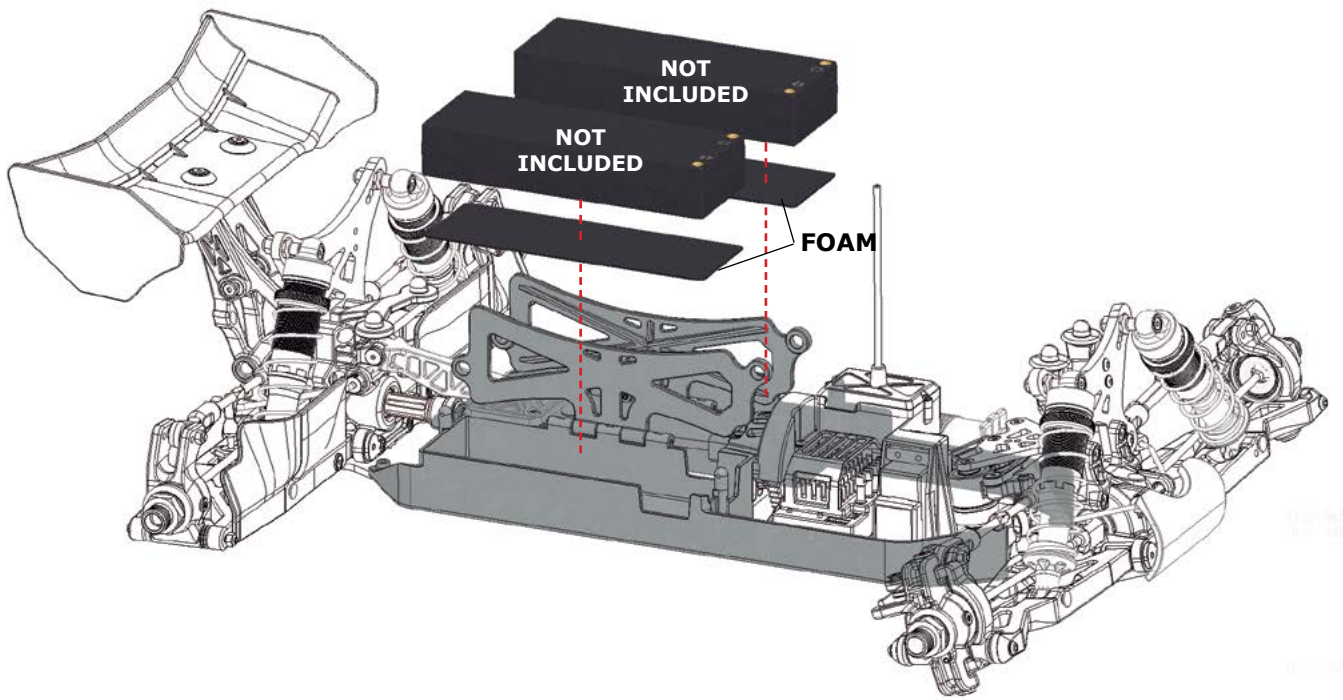
STEP  
37

Bag  
11



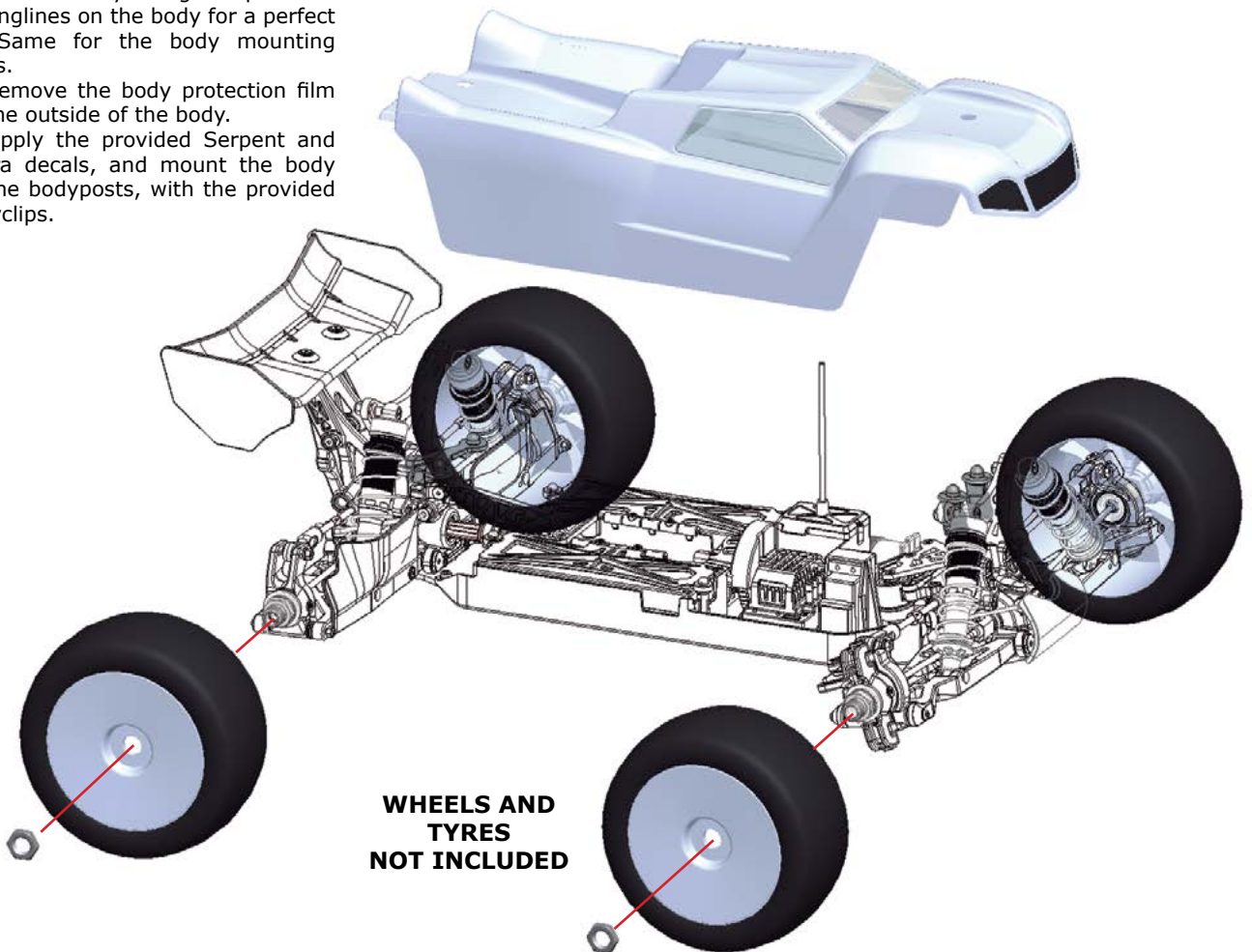
STEP  
38





**BODYSHELL:**

- 1) Apply the masking sheet provided and paint the body on the inside.
- 2) Cut the body along the provided cuttinglines on the body for a perfect fit. Same for the body mounting holes.
- 3) Remove the body protection film on the outside of the body.
- 4) Apply the provided Serpent and Cobra decals, and mount the body on the bodyposts, with the provided bodyclips.





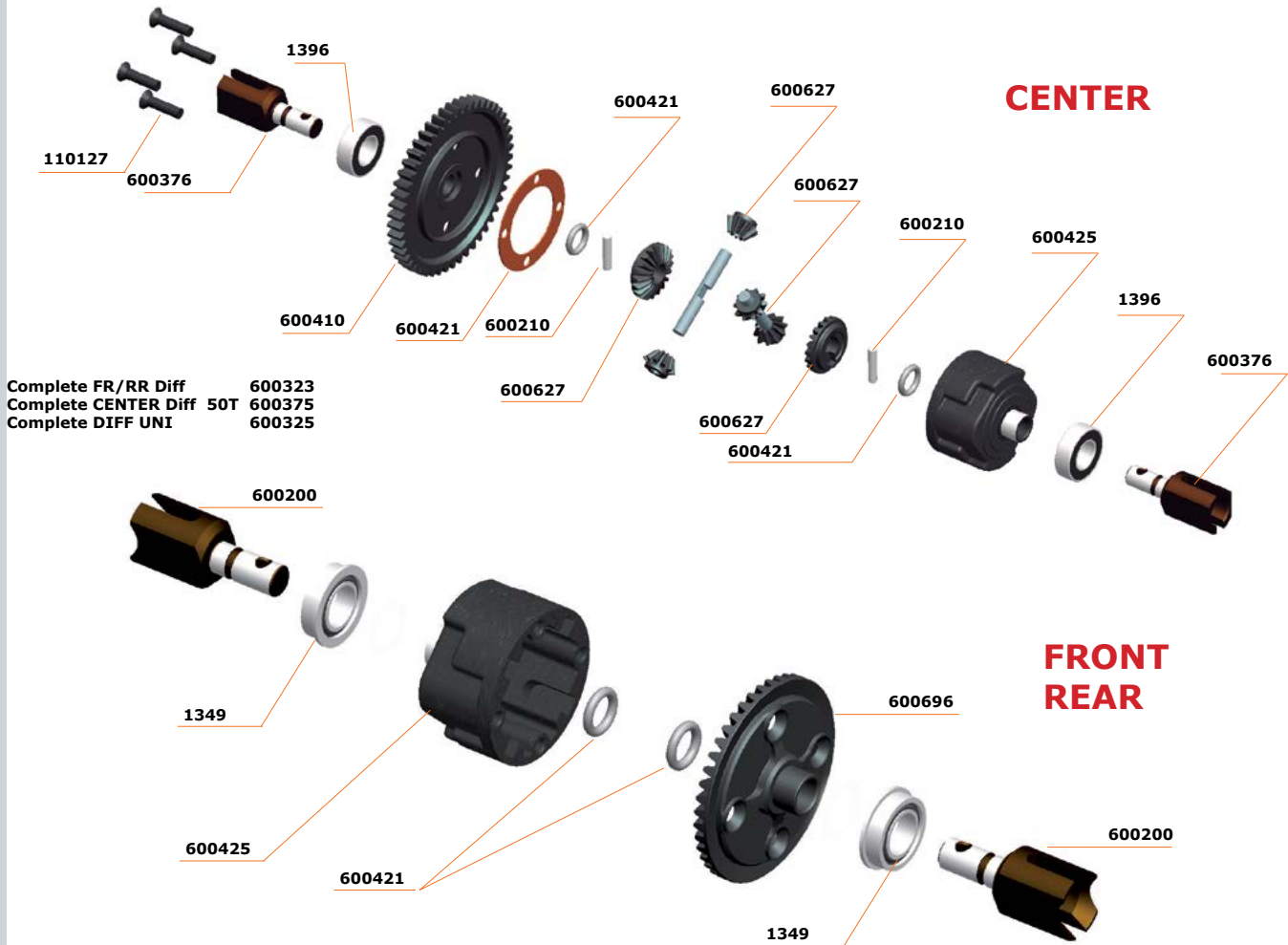
## REF GUIDE:

# EXPLODED VIEWS and PARTS-LIST

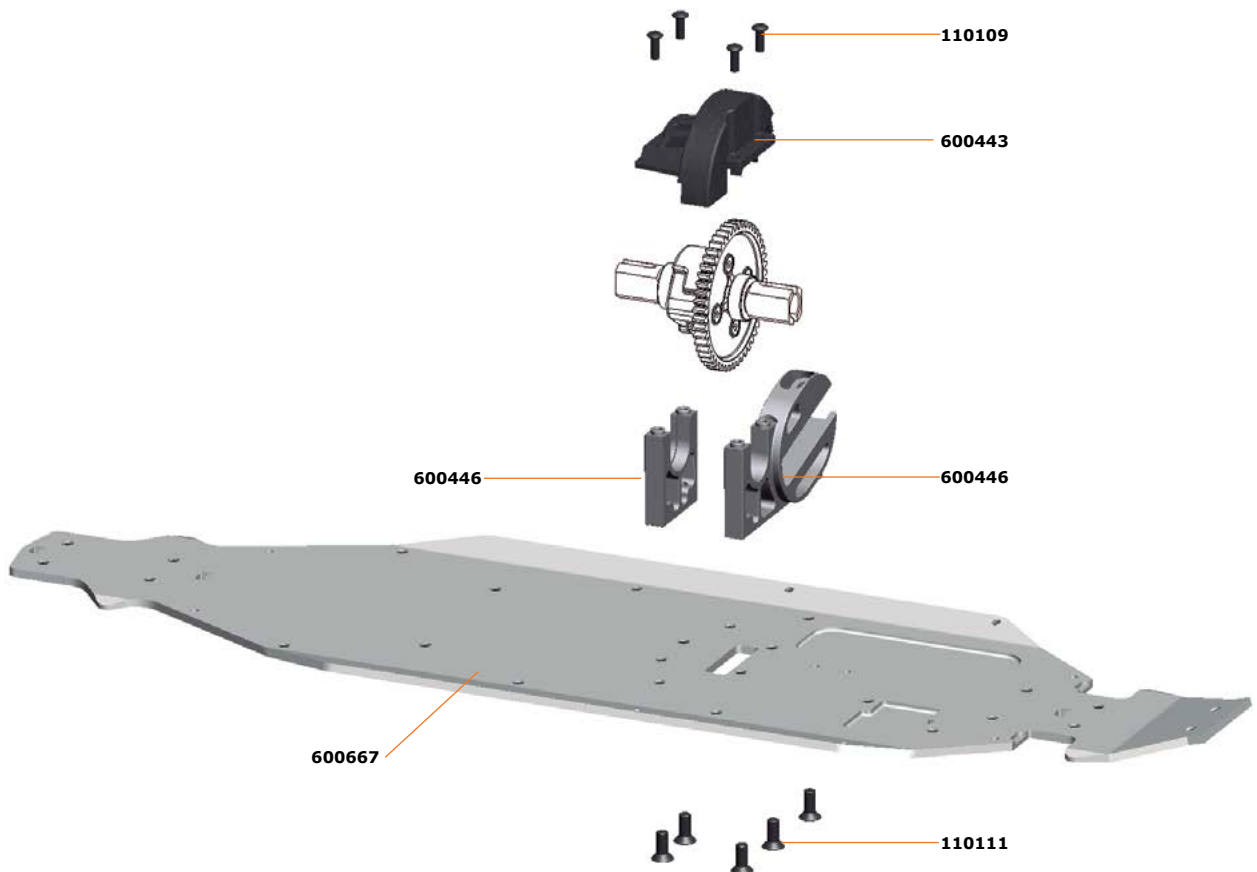
## Contents

<b>DIFFERENTIAL ASSEMBLIES</b>	<b>26</b>
<b>TRANSMISSION CENTER</b>	<b>26</b>
<b>REAR ASSEMBLY</b>	<b>27</b>
<b>FRONT ASSEMBLY</b>	<b>28</b>
<b>STEERING ASSEMBLY</b>	<b>29</b>
<b>RADIO ASSEMBLY</b>	<b>29</b>
<b>SHOCK ASSEMBLY</b>	<b>30</b>
<b>FINAL ASSEMBLY I</b>	<b>30</b>
<b>PARTS-LIST</b>	<b>31</b>

# DIFFERENTIAL ASSEMBLIES

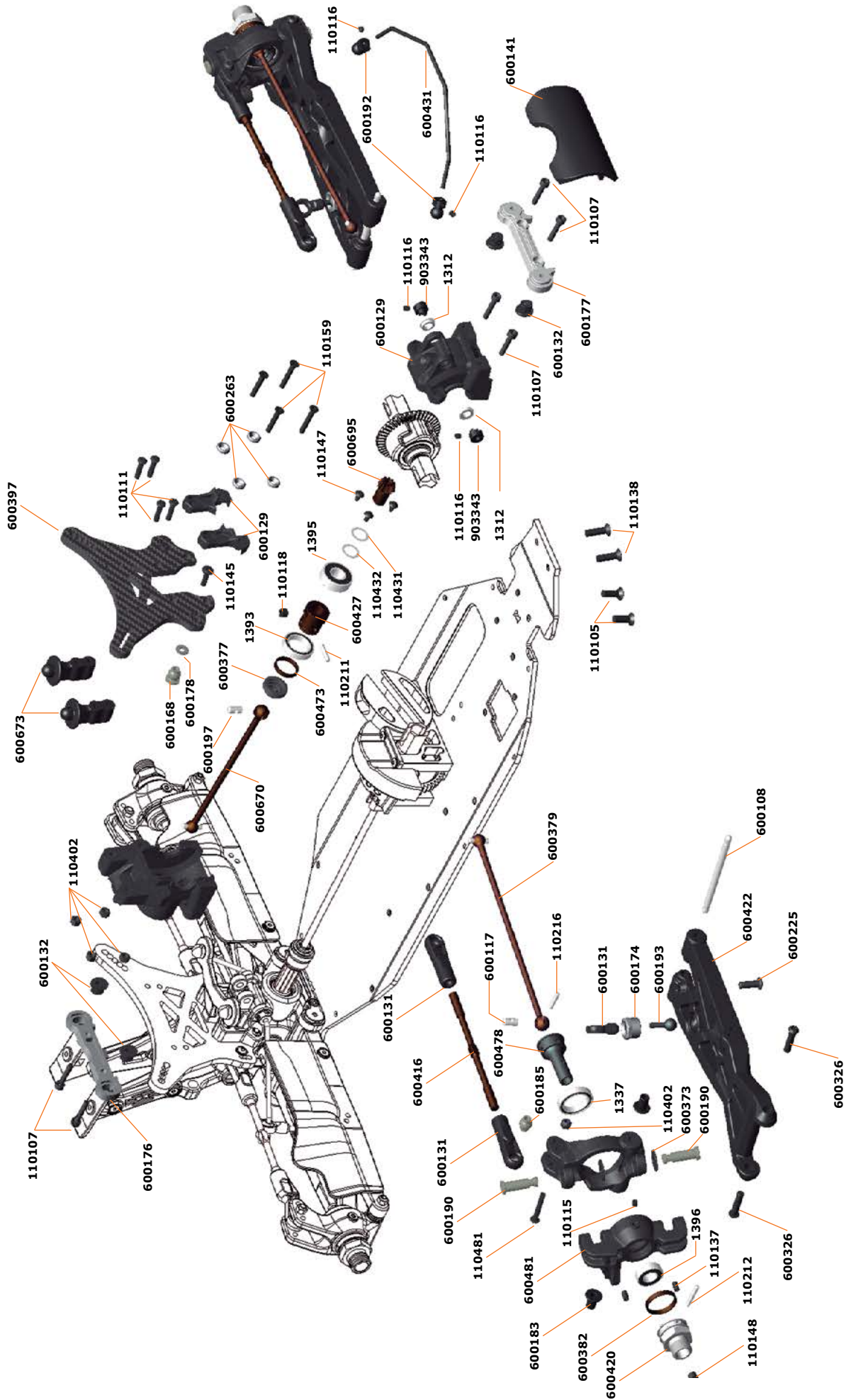


# TRANSMISSION CENTER

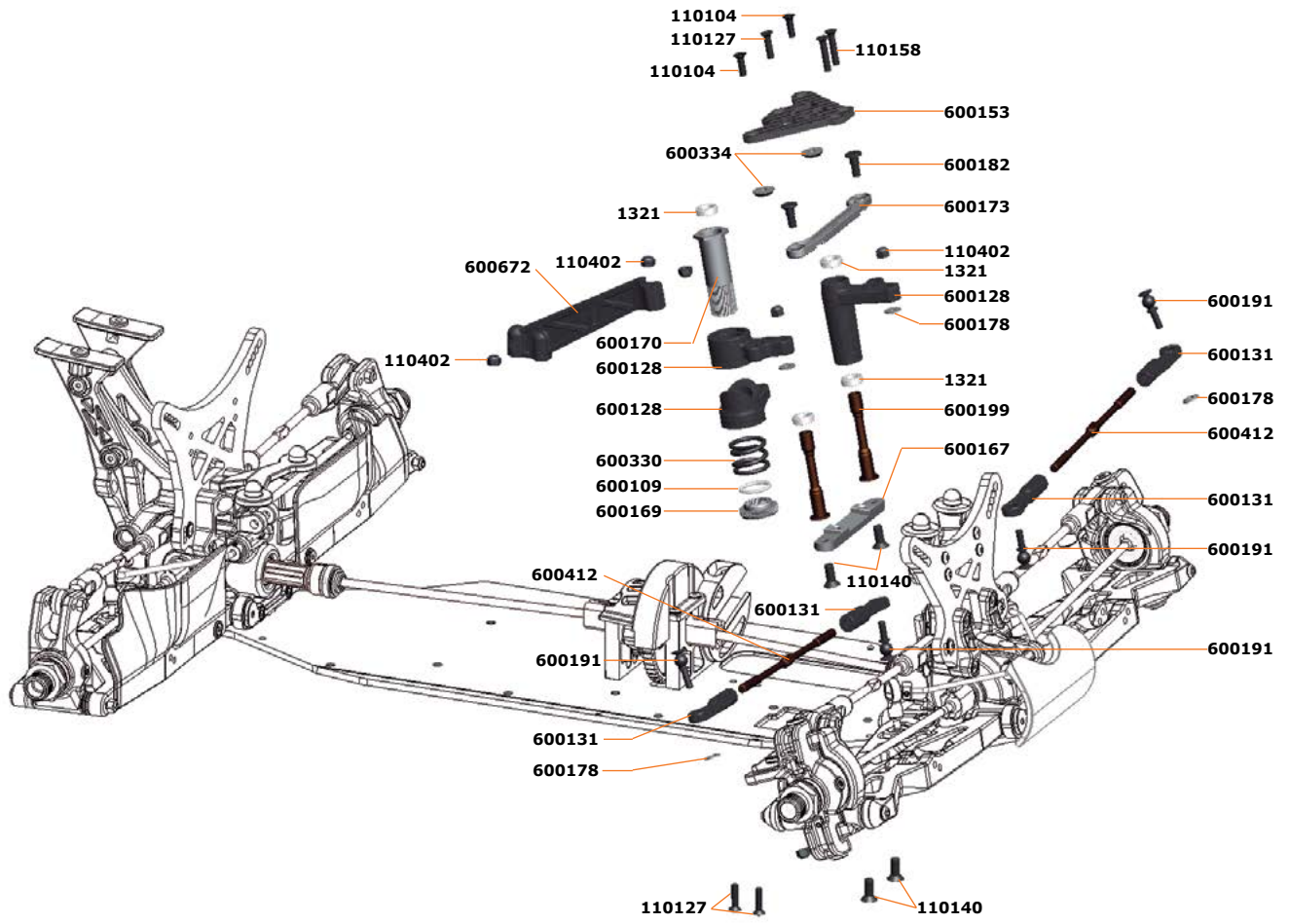




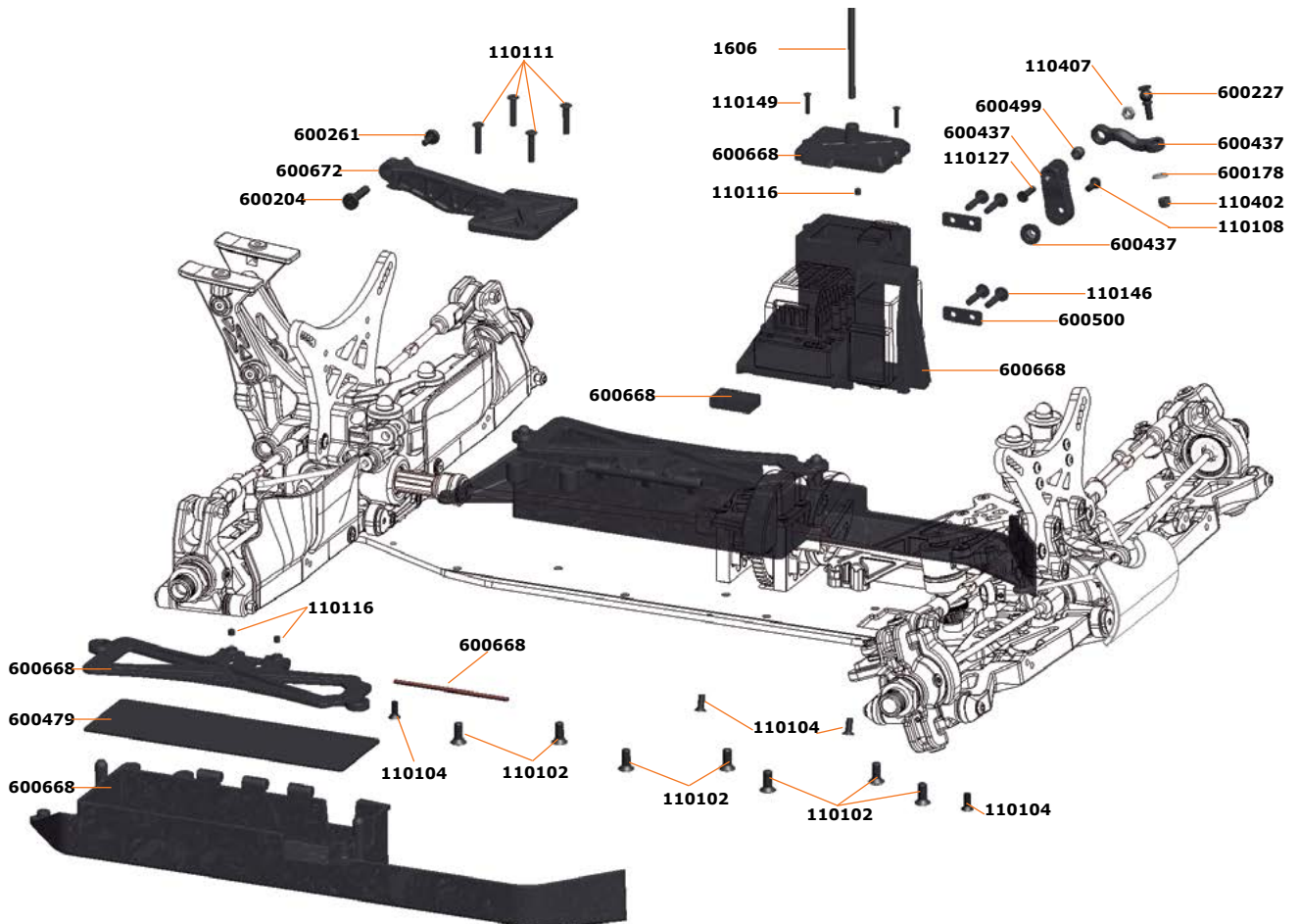
# FRONT ASSEMBLY



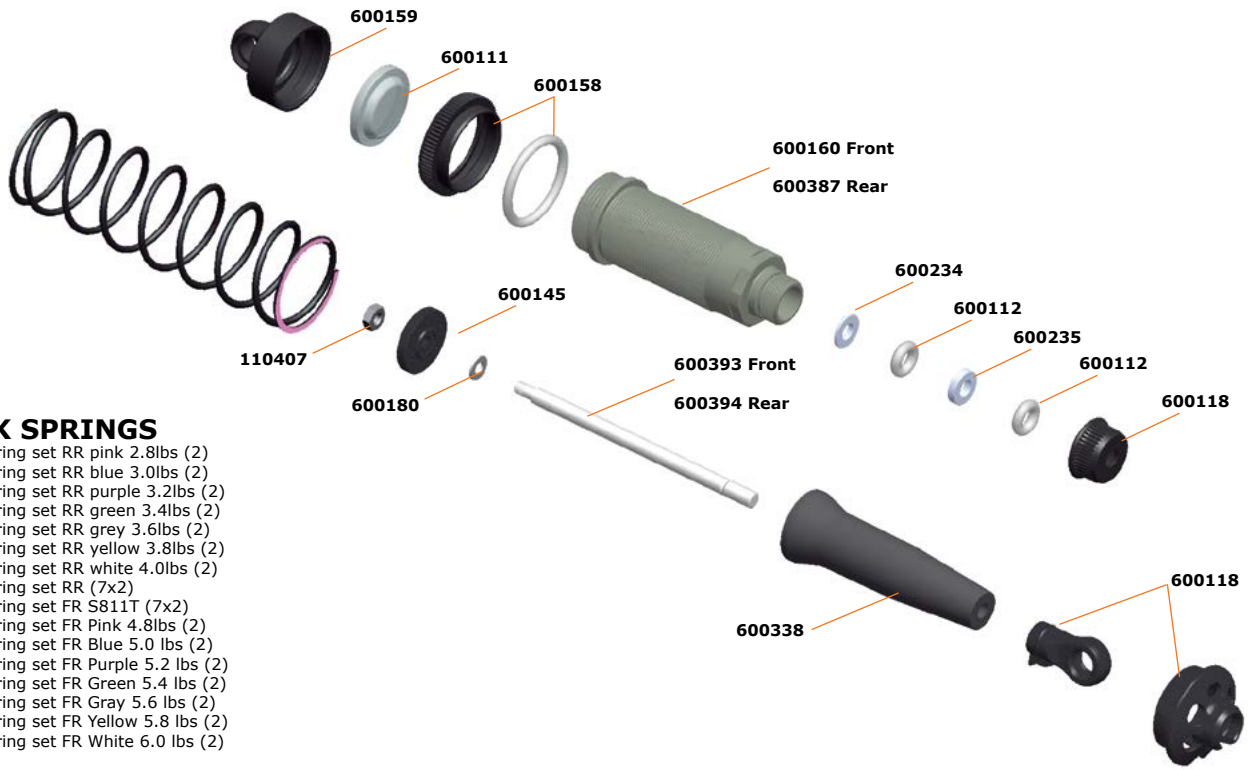
# STEERING ASSEMBLY



# RADIO ASSEMBLY



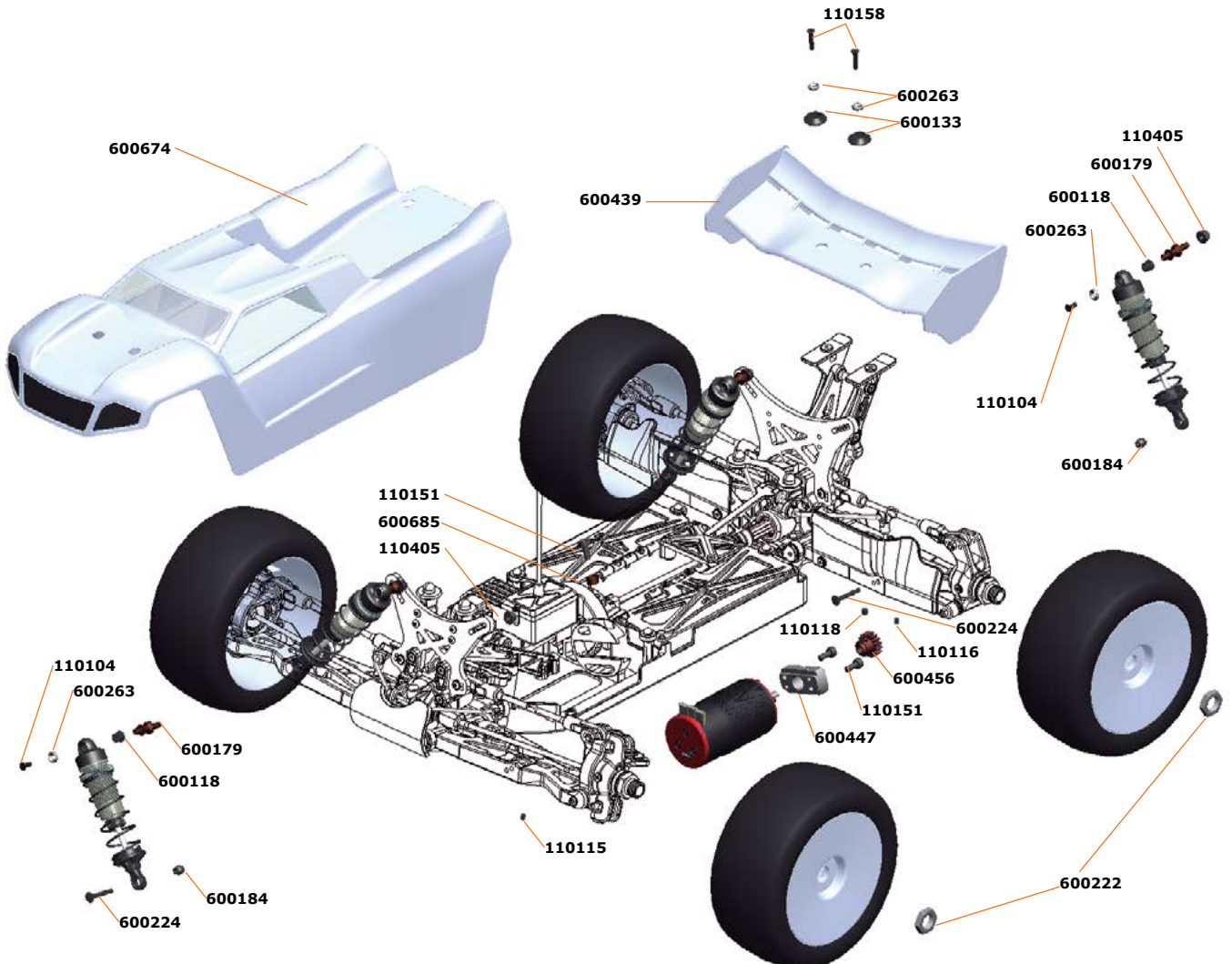
# SHOCK ASSEMBLY



## SHOCK SPRINGS

- 600252 Spring set RR pink 2.8lbs (2)
- 600253 Spring set RR blue 3.0lbs (2)
- 600254 Spring set RR purple 3.2lbs (2)
- 600255 Spring set RR green 3.4lbs (2)
- 600256 Spring set RR grey 3.6lbs (2)
- 600257 Spring set RR yellow 3.8lbs (2)
- 600258 Spring set RR white 4.0lbs (2)
- 600260 Spring set RR (7x2)
- 600366 Spring set FR S811T (7x2)
- 600402 Spring set FR Pink 4.8lbs (2)
- 600403 Spring set FR Blue 5.0 lbs (2)
- 600404 Spring set FR Purple 5.2 lbs (2)
- 600405 Spring set FR Green 5.4 lbs (2)
- 600406 Spring set FR Gray 5.6 lbs (2)
- 600407 Spring set FR Yellow 5.8 lbs (2)
- 600408 Spring set FR White 6.0 lbs (2)

# FINAL ASSEMBLY



# PARTS-LIST

600035 **Description**  
Serpent 811 Cobra-T Truggy 1/8 4wd TE

## Decals

1887 Decal Serpent black/white 1/8 (2)  
1889 Decal Serpent chrome 1/8 (2)  
600332 Decal sheet S811 chrome (2)  
600609 Decal sheet S811 Truggy black and white (2)

## Radio Installation / Battery

1606 Antenna rod black (2)  
600131 Balljoint set (19)  
600437 Steering balljoint + lever 811-E  
600479 Battery foam pad (2)  
600499 Pivotball double straight (3)  
600500 Servo spacers (8)  
600668 Battery radiobox 811-T-e

## Radio Instalation / Battery option

600681 S811E Radiotray set light alu/carbon  
600682 S811E batterystrap carbon (2)

## Servo Saver & Steering

600109 O-ring servosaver nut (4)  
600128 Servo saver set nylon (3)  
600131 Balljoint set (19)  
600153 Topdeck front carbon  
600167 Steeringrack mount  
600169 Servosaver adjust nut  
600170 Servosaver shaft outer  
600173 Steeringrack option 3  
600182 Bolt steeringrack (2)  
600191 Pivotball 6mm steering (4)  
600199 Servosaver post (2)  
600330 Servo saver spring hard  
600334 Spacer steering post (2)  
600437 Steering balljoint + lever 811-E  
600499 Pivotball double straight (3)  
600500 Servo spacers (8)

## Servo Saver & Steering option

600105 Servosaver spring  
600171 Steeringrack option 1  
600172 Steeringrack option 2  
600278 Servo saver post alu (2)  
600296 Servosaver alu coated (3)  
600463 Servo lever 23T 811-E alu  
600464 Servo lever 24T 811-E alu  
600465 Servo lever 25T 811-E alu

## Shock Absorbers

600111 Shock membrane (10)  
600112 O-ring shock bottom (10)  
600113 O-ring shock nut (10)  
600118 Shock part frame nylon (10)  
600145 Shock pistons (4x4)  
600158 Adjust nut shock / oring (2)  
600159 Shock top alu (2)  
600179 Shock mount (2)  
600180 Washer shock shaft (4)  
600184 Pivotball 6.75 double (4)  
600234 Shock cartridge stepped (4)  
600235 Shock cartridge (4)  
600319 Shock revision set (20)  
600386 Shock body coated FR Truggy (2)  
600387 Shock body coated RR Truggy (2)  
600388 Shock boot Truggy (4)  
600391 Shockset FR Truggy (2)  
600392 Shockset RR Truggy (2)  
600393 Shockshaft FR Truggy (2)

600394 Shockshaft RR Truggy (2)

## Shock Absorbers option

600282 Shock bushing delrin (4)  
600287 Shock spring support alu (4)  
600347 Shock top 7075 hard anodized (2)  
600349 Shock pistons conical 6 hole (4)  
600350 Shock pistons conical 8 hole (4)  
600351 Shock pistons conical 10 hole (4)  
600357 Membrane webbed silicone (4)  
600389 Shock shaft FR Truggy TiNi coating (2)  
600390 Shock shaft RR Truggy TiNi coating (2)  
600487 Bolt shock titanium (4)  
600488 Shock pistons 8 hole (4)

## Shock Springs

600252 Spring set RR pink 2.8lbs (2)  
600253 Spring set RR blue 3.0lbs (2)  
600254 Spring set RR purple 3.2lbs (2)  
600255 Spring set RR green 3.4lbs (2)  
600256 Spring set RR grey 3.6lbs (2)  
600257 Spring set RR yellow 3.8lbs (2)  
600258 Spring set RR white 4.0lbs (2)  
600260 Spring set RR (7x2)  
600366 Spring set FR (7x2)  
600402 Spring set FR Pink 4.8lbs (2)  
600403 Spring set FR Blue 5.0 lbs (2)  
600404 Spring set FR Purple 5.2 lbs (2)  
600405 Spring set FR Green 5.4 lbs (2)  
600406 Spring set FR Gray 5.6 lbs (2)  
600407 Spring set FR Yellow 5.8 lbs (2)  
600408 Spring set FR White 6.0 lbs (2)

## Chassis / Guards

600141 Bumper  
600667 Chassisplate alu 811-T-e  
600668 Battery radiobox 811-T-e  
600672 Chassis Brace Fr/Rr 811-T-e

## Chassis / Guards Optional

600675 Chassisplate alu hardcoated 811-T-e  
600461 Chassis brace front alu 811-E

## Front Section

600108 Hingepin (2)  
600126 Washer/nut nylon M3 (12+15)  
600129 Diff case front set  
600131 Balljoint set (19)  
600132 Suspension bracket inserts (30)  
600153 Topdeck front carbon  
600167 Steeringrack mount  
600168 Camberlink pivotball (4)  
600174 Antirollbar nut (2)  
600176 Suspension bracket alu FR RR std  
600177 Suspension bracket alu FR FR std  
600178 Shim conical M3x7.5x1 (10)  
600182 Bolt steeringrack (2)  
600183 Bushing suspensionarm (4)  
600185 Pivotball 7.5 double (4)  
600190 Pin steeringblock (4)  
600192 Pivotball antirollbar (2)  
600193 Pivotball threaded antirollbar (2)  
600197 Driveshaft insert (2)  
600222 Wheelnut 17mm (4)  
600224 Bolt shock (4)  
600225 Droop screw (4)  
600261 Socket screw M3x8 (6)  
600263 Washer M3 alu (12)  
600326 Special screw fr whisbone (4)  
600364 Gear coupler steel v2

600373 C-Hub Truggy 12 L+R  
 600379 Driveshaft Truggy (2)  
 600381 Gear coupler rubber boot (2)  
 600382 Hex adaptor clip (2)  
 600396 Shocktower Truggy front carbon  
 600412 Track rod M4x92 (2)  
 600416 Track rod M5x91 (2)  
 600420 Wheelhexagon Truggy + clip (4)  
 600422 Wishbone front L+R  
 600431 Antiroll bar front truggy 2,3mm  
 600478 Wheelaxle FR V2 (2)  
 600481 Steeringblock L+R V2  
 600670 Driveshaft center FR 811-T-e  
 600672 Chassis Brace Fr/Rr 811-T-e  
 600673 Bodymount Fr/Rr 811-T-e  
 903343 Antirollbar Spacer 3mm (2)

#### Front Section Optional

600273 Shock mount titanium (2)  
 600297 Lightweight wheel nut 17mm (4)  
 600374 C-hub Truggy 14 L+R alu  
 600395 Shocktower Truggy FR alu light  
 600413 Track rod M4x92 titanium (2)  
 600417 Track rod M5x91 titanium (2)  
 600426 Wheelhexagon truggy +1mm (2)  
 600426 Wheelhexagon truggy +2mm (2)  
 600430 Antiroll bar front truggy 2,1mm  
 600432 Antiroll bar front truggy 2,5mm  
 600461 Chassis brace front alu 811-E  
 600483 Wheelaxle FR alu V2 (2)  
 600484 Antirollbar spacer alu (2)  
 600485 Pivotball anti roll bar alu (2)  
 600486 Bushing suspension arm fr alu (4)  
 600487 Bolt shock titanium (4)  
 600490 Hingepin TiN coated (2)  
 600497 Steeringblock L+R V2 alu + delrin sleeve  
 600517 Shim 8x11x0.1 (10)  
 600677 O-ring Hex adapter (10)  
 600678 Bushing delrin for 811 alu caster block (4)

#### Middle Section

600101 Wheelaxle clip (4)  
 600131 Balljoint set (19)  
 600197 Driveshaft insert (2)  
 600381 Gear coupler rubber boot (2)  
 600400 Snap ring for coupler (2)  
 600410 Spurgear 50T  
 600443 Center diff cover 811-E  
 600446 Motormount set 811-E  
 600447 Motor slider 811-E  
 600472 Gear coupler V3  
 600473 Gear coupler sleeve (2)  
 600515 Coupler RR 811-T V3  
 600669 Driveshaft center RR 811-T-e  
 600670 Driveshaft center FR 811-T-e  
 600685 Motor screw washer S811E (2)

#### Middle Section Option

600198 Spur gear 46T  
 600280 Spur gear 48T  
 600409 Spur gear 52T  
 600606 Spurgear 46T composite  
 600607 Spurgear 48T composite  
 600608 Spurgear 50T composite

#### Rear Section

600108 Hingepin (2)  
 600126 Washer/nut nylon M3 (12+15)  
 600130 Diff case rear set  
 600131 Balljoint set (19)

600132 Suspension bracket inserts (30)  
 600133 Wing mount set  
 600155 Suspension bracket RR RR 3  
 600156 Suspension bracket RR FR 2  
 600168 Camberlink pivotball (4)  
 600174 Antirollbar nut (2)  
 600178 Shim conical M3x7.5x1 (10)  
 600185 Pivotball 7.5 double (4)  
 600189 Hingepin RR outer (2)  
 600192 Pivotball antirollbar (2)  
 600193 Pivotball threaded antirollbar (2)  
 600197 Driveshaft insert (2)  
 600204 Bolt transmission brace rear (2)  
 600222 Wheelnut 17mm (4)  
 600224 Bolt shock (4)  
 600225 Droop screw (4)  
 600237 Antiroll bar rear 2.3mm  
 600261 Socket screw M3x8 (6)  
 600365 Spacers 1,25mm + 2,5mm for wheelbase (4+2)  
 600367 Bodymount Truggy FR+RR  
 600381 Gear coupler rubber boot (2)  
 600382 Hex adaptor clip (2)  
 600400 Snap ring for coupler (2)  
 600414 Track rod M5x86 (2)  
 600420 Wheelhexagon Truggy + clip (4)  
 600423 Wishbone Truggy rear L+R  
 600474 Wheelaxle RR V2 (2)  
 600475 Wheelaxle boot RR (2)  
 600513 Driveshaft rear 811-T V2 (2)  
 600515 Coupler RR 811-T V3  
 600630 Upright Truggy L+R V2  
 600669 Driveshaft center RR 811-T-e  
 600671 Shocktower carbon RR 811-T-e  
 600672 Chassis Brace Fr/Rr 811-T-e  
 600673 Bodymount Fr/Rr 811-T-e  
 903343 Antirollbar Spacer 3mm (2)

#### Rear Section option

600238 Antiroll bar rear 2.5mm  
 600239 Antiroll bar rear 2.7mm  
 600263 Washer M3 alu (12)  
 600264 Wheelaxle alu (2)  
 600265 Suspension bracket RR FR 2.5 - 4.5  
 600266 Suspension bracket RR RR HR 3  
 600267 Suspension bracket RR RR LR 3  
 600273 Shock mount titanium (2)  
 600297 Lightweight wheel nut 17mm (4)  
 600300 Post wingmount alu (2)  
 600301 Wing washer alu (2)  
 600308 Suspension bracket RR FR 2.5 - 4.5  
 600338 Antiroll bar rear 1.8mm  
 600339 Antiroll bar rear 2.0mm  
 600415 Track rod M5x86 titanium (2)  
 600426 Wheelhexagon truggy +1mm (2)  
 600427 Wheelhexagon truggy +2mm (2)  
 600434 Antiroll bar rear 2,4mm  
 600484 Antirollbar spacer alu (2)  
 600485 Pivotball anti roll bar alu (2)  
 600487 Bolt shock titanium (4)  
 600489 Transmission brace tube alu  
 600490 Hingepin TiN coated (2)  
 600491 Hingepin rr outer TiN coated (2)  
 600517 Shim 8x11x0.1 (10)  
 600676 Shocktower alu light RR 811-T-e  
 600684 Antiroll bar rear 3.0mm  
 600677 O-ring Hex adapter (10)

#### Differential

600147 Diff gasket (3)  
 600200 Diff outdrive (2)  
 600205 Shim 13x16x0.2 (10)



600209 Diff pin 10T (2)  
 600210 Diff pin outdrive (2)  
 600213 Shim 6x11.75x0.2 (10)  
 600214 Shim 3.5x12x0.2 (10)  
 600215 Shim 8x11x0.2 (10)  
 600354 Shim 14x15.5x 0.65 (4)  
 600356 Shim 14x15.5x0.2 (10)  
 600375 Diff Center 50T  
 600376 Diff outdrive center (2)  
 600410 Spurgear 50T  
 600421 Oring centerdiff V2 (10)  
 600425 Diff housing V2  
 600517 Shim 8x11x0.1 (10)  
 600627 Diff gear 10T + 20T (4+2) V2  
 600695 Diff pinion 10T spiral  
 600696 Diff gear 43T spiral

**Differential Optional**

600283 Diff pin 10T alu (2)  
 600198 Spur gear 46T  
 600280 Spur gear 48T  
 600409 Spur gear 52T  
 600480 Diff gear 44T  
 600495 Diff pinion 13T  
 600606 Spurgear 46T composite  
 600607 Spurgear 48T composite  
 600608 Spurgear 50T composite

**Body and Wing**

1667 Body-clip medium (10)  
 600133 Wing mount set  
 600439 Wing white low 811  
 600674 Body-truggy 811-T-e with mask

**Body**

600143 Wing white nylon  
 600277 Wing black nylon  
 600440 Wing black low 811  
 600441 Wing mount set low 811

**Pinions**

600452 Pinion 12T  
 600453 Pinion 13T  
 600454 Pinion 14T  
 600455 Pinion 15T  
 600456 Pinion 16T  
 600457 Pinion 17T  
 600458 Pinion 18T  
 600459 Pinion 19T  
 600460 Pinion 20T

**Ball Bearings**

1312 Ballbearing 5x8 flanged SS (2)  
 1321 Ballbearing 6x10x3 SS (2)  
 1337 Ballbearing 15x21x4 SS (2)  
 1393 Ballbearing 13X19X4 SS (2)  
 1394 Ballbearing 8x14x4 flanged SS (2)  
 1395 Ballbearing 8x19x6 SS (2)  
 1396 Ballbearing 8x16x5 SS (2)  
 600466 Bearingset 811-E (26)  
 600616 Bearingset 811 V2 (26)  
 600617 Bearingset 811 V2 small (12)

**TOOLS**

190506 Toolset for onroad (17pcs) with tools bag  
 190507 Toolset for ep (16pcs) with tools bag  
 190508 Toolset for offroad (20pcs) with tools bag  
 190509 Allen wrench 1.5 x 120mm  
 190510 Allen wrench 2.0 x 120mm  
 190511 Allen wrench 2.5 x 120mm

190512 Allen wrench 3.0 x 120mm  
 190513 Ball driver hex wrench 2.0 x 120mm  
 190514 Ball driver hex wrench 2.5 x 120mm  
 190515 Ball driver hex wrench 3.0 x 120mm  
 190516 Tool tip allen wrench 1.5 x 120mm  
 190517 Tool tip allen wrench 2.0 x 120mm  
 190518 Tool tip allen wrench 2.5 x 120mm  
 190519 Tool tip allen wrench 3.0 x 120mm  
 190520 Tool tip ball driver hex wrench 2.0 x 120mm  
 190521 Tool tip ball driver hex wrench 2.5 x 120mm  
 190522 Tool tip ball driver hex wrench 3.0 x 120mm  
 190523 Turnbuckle wrench 3mm  
 190524 Turnbuckle wrench 4mm  
 190525 Turnbuckle wrench 5mm  
 190526 Flat head screwdriver 3.0 x 150mm  
 190527 Flat head screwdriver 4.0 x 150mm  
 190528 Phillips screwdriver 2.0 x 45mm  
 190529 Phillips screwdriver 3.5 x 120mm  
 190530 Phillips screwdriver 5.8 x 120mm  
 190539 Nut driver 4.5 x 100mm  
 190531 Nut driver 5.0 x 100mm  
 190532 Nut driver 5.5 x 100mm  
 190533 Nut driver 7.0 x 100mm  
 190534 Reamer with end cap for lexan body

**FASTNERS**

110101 Screw allen countersunk m4x8 (10)  
 110102 Screw allen countersunk m4x10 (10)  
 110103 Screw allen countersunk m4x16 (10)  
 110104 Screw allen countersunk m3x8 (10)  
 110105 Screw allen countersunk m4x12 (10)  
 110106 Screw allen flanged roundhead m5x12 (10)  
 110107 Screw allen cilinderhead m3x16 (10)  
 110108 Screw allen roundhead m3x6 (10)  
 110109 Screw allen roundhead m3x10 (10)  
 110110 Screw allen roundhead m3x16 (10)  
 110111 Screw allen roundhead m3x14 (10)  
 110112 Screw allen roundhead m3x12 (10)  
 110113 Screw allen roundhead m4x8 (10)  
 110114 Setscrew allen m3x8 (10)  
 110115 Setscrew allen m3x4 (10)  
 110116 Setscrew allen m3x3 (10)  
 110117 Setscrew allen m3x12 (10)  
 110118 Setscrew allen m4x4 (10)  
 110119 Setscrew allen m4x6 (10)  
 110120 Setscrew allen m4x10 (10)  
 110121 Setscrew allen m5x6 (10)  
 110122 Screw allen countersunk m3x6 (10)  
 110123 Screw philips roundhead 3.5x13 (10)  
 110124 Screw allen roundhead m3x8 (10)  
 110125 Screw allen countersunk m3x20 (10)  
 110126 Screw allen countersunk m2.5x12 (10)  
 110127 Screw allen countersunk m3x12 (10)  
 110128 Screw allen roundhead m3x5 (10)  
 110129 Screw allen cilinderhead m3x10 (10)  
 110130 Screw allen roundhead m2.5x6 (10)  
 110131 Screw allen roundhead m2.5x10 (10)  
 110132 Screw allen countersunk m3x16 (10)  
 110133 Screw philipshead countersunk 2.5x8 wide (10)  
 110134 Screw philipshead countersunk 2.5x10 wide (10)  
 110135 Screw allen countersunk M2.5x10 (10)  
 110136 Screw allen countersunk M2.5x8 (10)  
 110137 Setscrew allen M3x6 (10)  
 110138 Screw allen countersunk M4x14 (10)  
 110139 Screw allen countersunk M3x40 (10)  
 110140 Screw allen roundhead M3x20 (10)  
 110141 Screw allen roundhead M3x22 (10)  
 110142 Screw allen roundhead M3x25 (10)  
 110143 Screw allen roundhead M4x18 (10)  
 110144 Screw allen roundhead M3x18 (10)  
 110145 Screw allen roundhead flanged M3x12 (10)



z190184 T-shirt Serpent Splash white (L)  
190185 T-shirt Serpent Splash white (XL)  
190186 T-shirt Serpent Splash white (XXL)  
190187 T-shirt Serpent Splash white (XXXL)  
190188 T-shirt Serpent Splash orange (S)  
190189 T-shirt Serpent Splash orange (M)  
190190 T-shirt Serpent Splash orange (L)  
190191 T-shirt Serpent Splash orange (XL)  
190192 T-shirt Serpent Splash orange (XXL)  
190193 T-shirt Serpent Splash orange (XXXL)  
190194 T-shirt Serpent Splash black (S)  
190195 T-shirt Serpent Splash black (M)  
190196 T-shirt Serpent Splash black (L)  
190197 T-shirt Serpent Splash black (XL)  
190198 T-shirt Serpent Splash black (XXL)  
190199 T-shirt Serpent Splash black (XXXL)  
190201 Hoody sweater Serpent black-zip (S)  
190202 Hoody sweater Serpent black-zip (M)  
190203 Hoody sweater Serpent black-zip (L)  
190204 Hoody sweater Serpent black-zip (XL)  
190205 Hoody sweater Serpent black-zip (2XL)  
190206 Hoody sweater Serpent black-zip (3XL)  
190207 Hoody sweater Serpent black-zip (4XL) )  
190215 T-shirt Serpent WC edition black (S)  
190216 T-shirt Serpent WC edition black (M)  
190217 T-shirt Serpent WC edition black (L)  
190218 T-shirt Serpent WC edition black (XL)  
190219 T-shirt Serpent WC edition black (XXL)  
190220 T-shirt Serpent WC edition black (XXXL)  
190502 Pit-bag medium. 3 drawers



**COBBLE**



[www.serpent.com](http://www.serpent.com) - [info@serpent.com](mailto:info@serpent.com)



#82432-1 S811T-e Manual version 1