



**COBBLE**  
811  
**LE**  
*Sport*



**INSTRUCTION MANUAL**  
& REFERENCE GUIDE



The Serpent S811 Cobra is a complete new platform for the 1/8 scale electric offroad category of racing. The Serpent S811 Cobra is designed to be a world champion, while still being easy to use, assemble, and set up. You are now part of the worldwide network of Serpent drivers, which gives you superior technical support and access to many benefits that only Serpent drivers can enjoy.

The Serpent S811 Cobra offers state of the art specifications and leads the way in 1/8 scale electric offroad chassis design, using all the knowledge our designers have gathered from racing offroad cars for over 15 years, into this design too. Continuously pushing the performance envelope, Serpent's engineers have added many new and innovative features that help take your Serpent S811-E Cobra into the winner's circle.

### **INSTRUCTIONS**

Serpent's long tradition of excellence extends to the instruction manuals, and this instruction manual is no exception. The easy-to-follow layout is richly illustrated with 3D-rendered full-color images to make your building experience quick and easy. Following the instructions will result in a well-built, high-performance race-car that will soon be able to unleash its full potential at the racetrack.

This instruction manual has been divided into sections that will logically lead you through the assembly process of your Serpent S811-E Cobra. Follow the assembly steps in the order presented to ensure that no problems occur during assembly. Each step indicates all the fasteners, bearings and small parts used. Bag numbers identify the kit bag(s) that contains the appropriate parts.

### **EXPLODED VIEWS AND PARTS LIST**

The exploded views and parts lists for the Serpent S811-E Cobra are included in the back of this manual. The exploded views show all the parts of a particular assembly step along with the Serpent part number. The parts lists indicate the part number and name of each part for easy reference when ordering.

### **SAFETY**

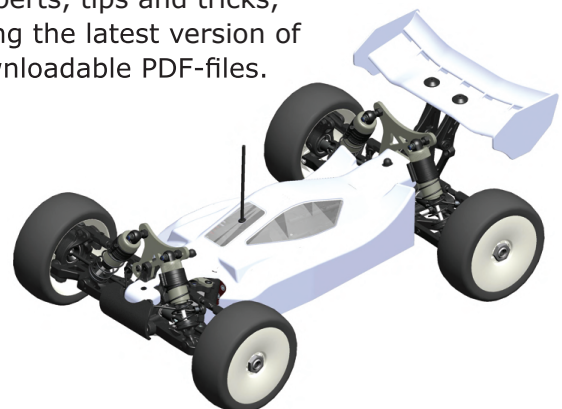
Included in this manual is a sheet entitled "Read This First" that covers safety precautions for the assembly and use of this product. We strongly recommend that you thoroughly read and understand that part, and follow all the precautions.

The printed instruction manual included with your Serpent S811-E Cobra kit is very complete, though due to continuous product development, more up-to-date information may be provided at our Serpent.com website.

All information about the Serpent S811 Cobra is accessible from the Serpent S811 product page which can be found on Serpent.com and can be accessed by simply typing serpent.com/600004 into your web browsers address bar.

From the Serpent S811 product page you will find the very latest information about your Serpent S811: reports by team drivers and other experts, tips and tricks, setups, image gallery and downloadable files including the latest version of the instruction manual will be made available as downloadable PDF-files.

*Team Serpent*



## Safety

Read and take note of the 'Read this First section' before proceeding to assemble the car-kit. This car-kit is intended for persons aged 16 or older.

## Customer service

Serpent has made a strong effort to make this manual as complete and clear as possible. Additional info may be published in our website:

[www.serpent.com](http://www.serpent.com) or you may ask your dealer or the Serpent distributor for advice, or email Serpent direct: [info@serpent.com](mailto:info@serpent.com)  
The Serpent Facebook, Twitter and Youtube pages give additional means of support and communications.

## Instructions, how to use

The kit includes bags, with bagnumbers, which refer to the same step in the manual. Open only the indicated bag(s) per step and finish that part of the assembly. Remaining parts will be needed later on in the assembly process.

## Instructions

Serpent's long tradition of excellence extends to the instruction manuals, and this instruction manual is no exception. The easy-to-follow layout is richly illustrated with 3D-rendered full-color images to make your building experience quick and easy. Following the instructions will result in a well-built, high-performance race-car that will soon be able to unleash its full potential at the racetrack.

## SETUP

In certain assembly steps you need to make basic adjustments, which will give you a good initial setup for your Serpent S811-B. Fine-tuning the initial setup is an essential part of building a high-performance racecar like your S811-B.

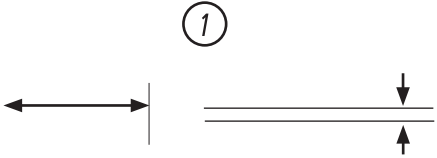






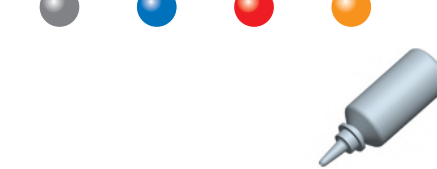
## Exploded views and partslist

The exploded views and parts lists for the Serpent S811-B are presented in the Reference Guide section in the back of this manual. The exploded views show all the parts of a particular assembly step along with the Serpent part number. The parts lists indicate the part number and name of each part for easy reference when ordering.

## Read this first!

- This is a highly technical hobby product, intended to be used in a safe racing environment. This car is capable of speeds in excess of 80 km/h or 50mph. Please follow these guidelines when building and operating this model.
- Parental guidance is required when the builder/user of this car is under 16.
- Follow the building instructions. If in doubt, contact your dealer or importer.
- Be sure to use the proper tools when assembling the car. Always exercise caution when using electric tools, knives and other sharp objects.
- Be careful when using liquids like lubrication oil, fuel or glue. Do not swallow.
- Follow the manufacturer's instruction in case you experience irritation after using the product.
- Be careful when operating the car. Stay away from any rotating parts such as wheels, gears and transmission. Stay away from motor, engine and exhaust pipe system or speedo during and immediately after use, as these parts may be very hot. We advise to use protective hand gloves.
- Only operate this car in a safe environment, like a special racing track or a closed parking lot. Avoid using this car on public roads, crowded places or near infants.
- Before operating this car, always check the mechanical status of the car. Also check that the transmitter and receiver frequencies correspond and are not used by any other racer at the same time. Check that the batteries of the transmitter and receiver- are fully charged.
- After use, always check all the mechanics of the car. We advise to clean the car immediately after use, and inspect the parts for wear or fractures. Replace when necessary. Do not use water, methanol, thinner or other solvents to clean the car.
- Empty the fuel tank (depending on model) if needed and disconnect the receiver battery.
- Store the car in a dry and heated place to avoid corrosion of metal parts.
- Avoid using this car in wet conditions as the water will cause corrosion on the metal parts and bearings and these parts will cease to function properly. If driven in the wet, ensure that all the electric equipment is waterproofed and after use, that all moving parts are dried immediately.

## USING THE MANUAL

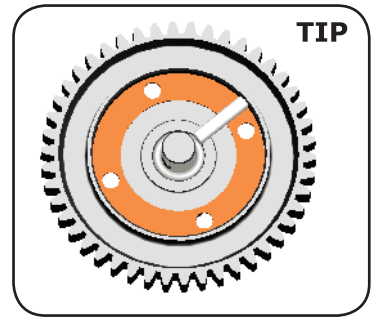
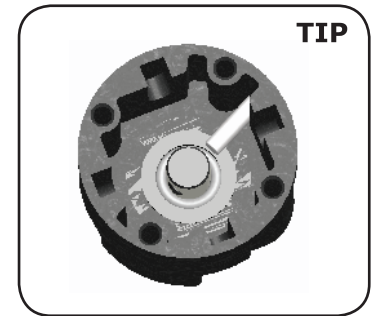
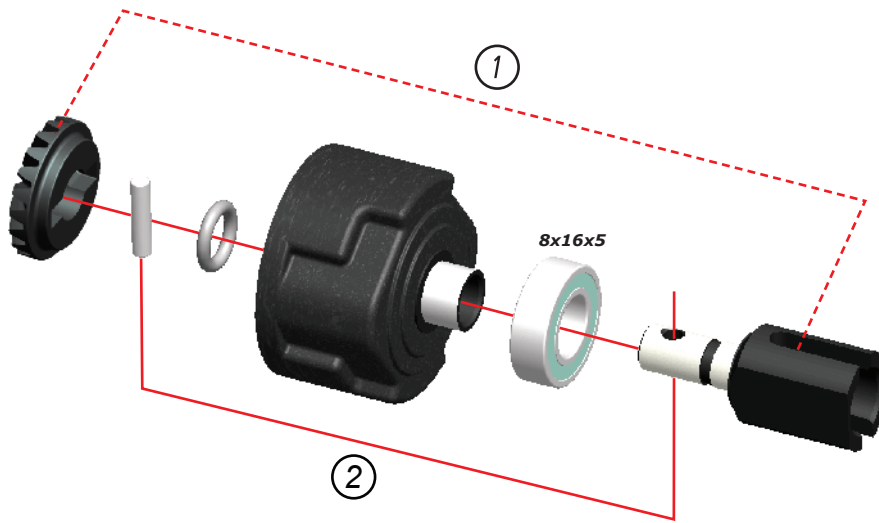
	Step number; the order in which you should assemble the indicated parts
	Length after assembly / Gap between two items
	Assembly path of one item into another
	Direction the item should be moved
	Glue one item to another
	Press/Insert one item into another
	Connect one item to another
	Apply transmission grease (Grey), threadlock* (Blue), CA glue* (Red) or differential grease (Orange). (*Items not included.)  Apply silicone oil.

A

1

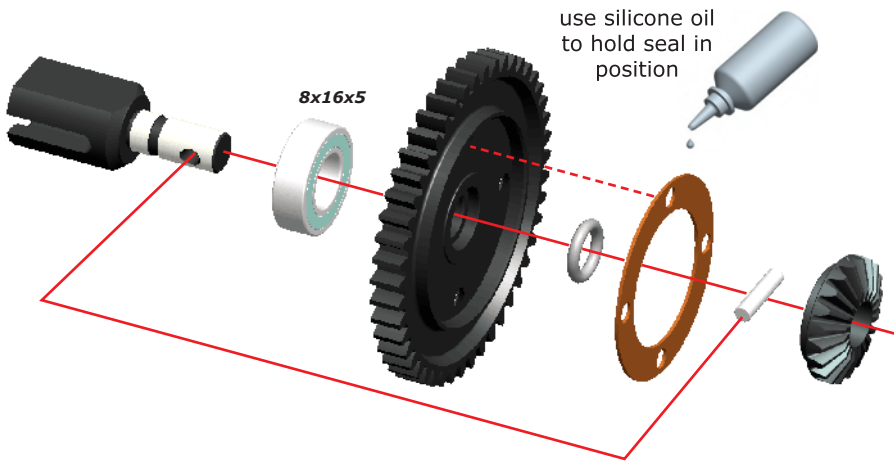
CENTER  
DIFF  
BAG

# DIFFERENTIAL CENTER



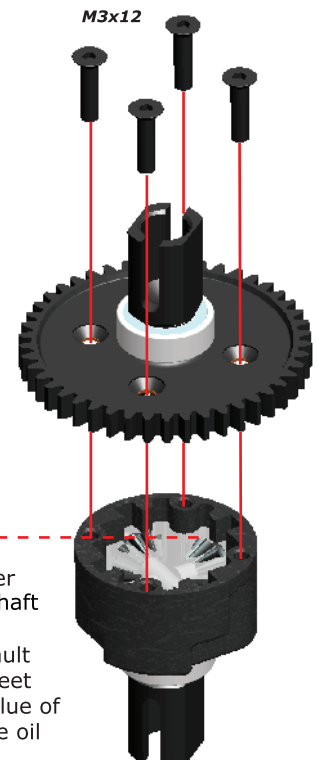
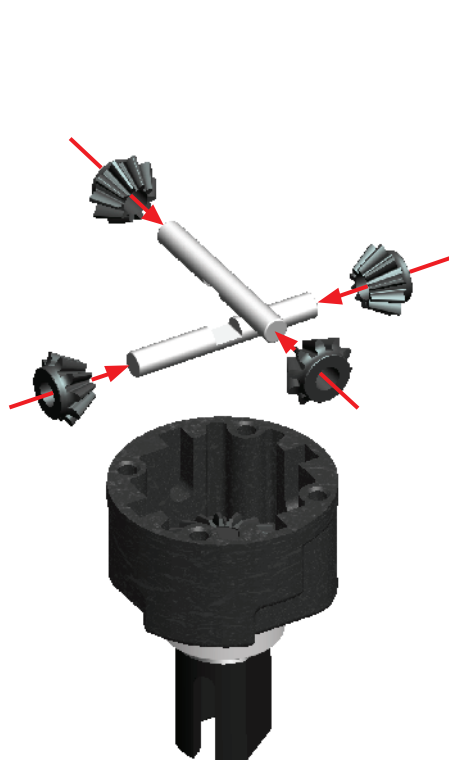
A

2



A

3



4

SPORT  
BIE

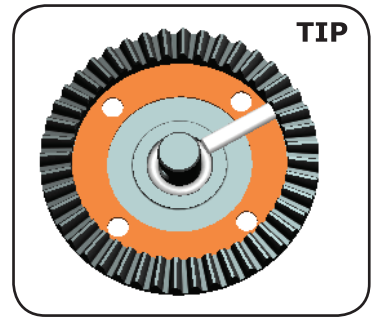
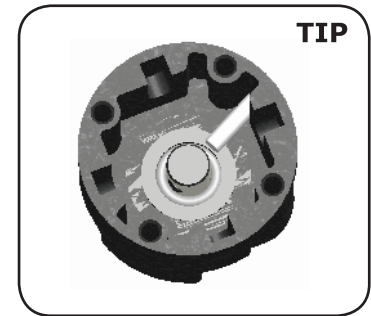
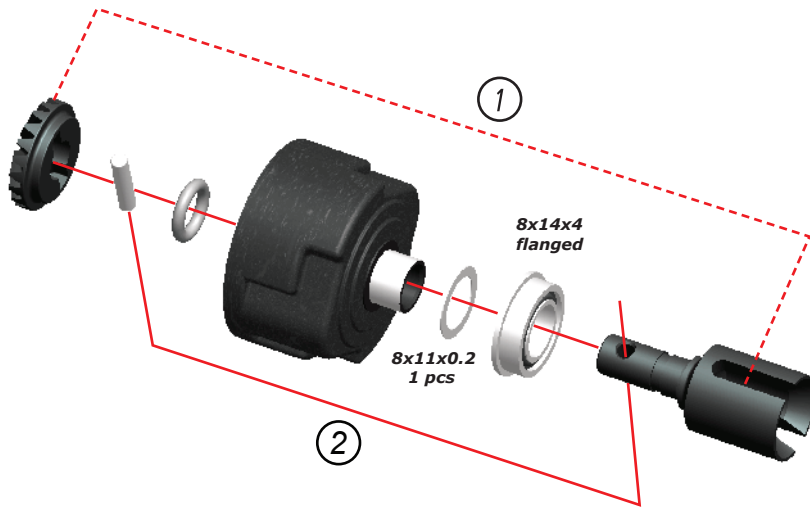


A

4

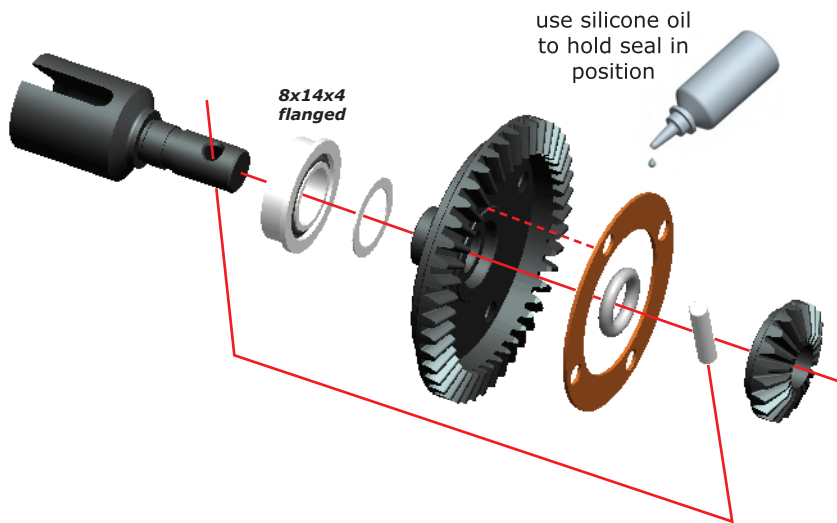
FR/RR  
DIFF  
BAG

# DIFFERENTIAL FRONT/REAR



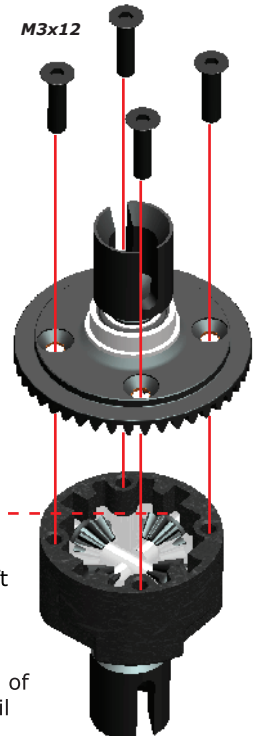
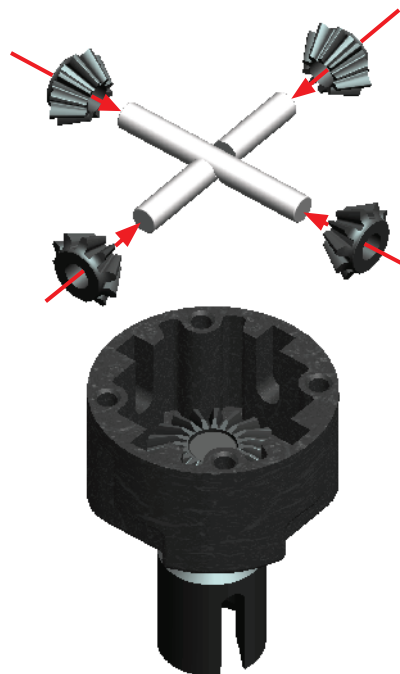
A

5



A

6



①  
silicone oil  
fill just over  
the gear shaft

check default  
SET-UP sheet  
for CST value of  
the silicone oil

SPORT  
BIBI

5

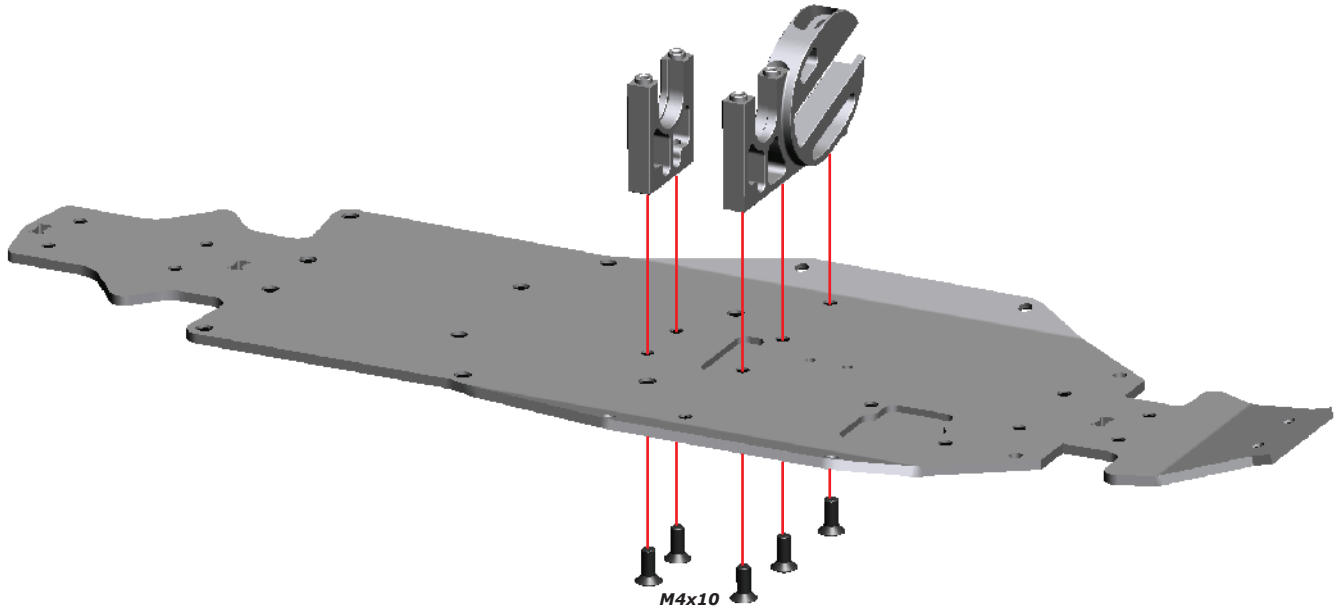


A

7

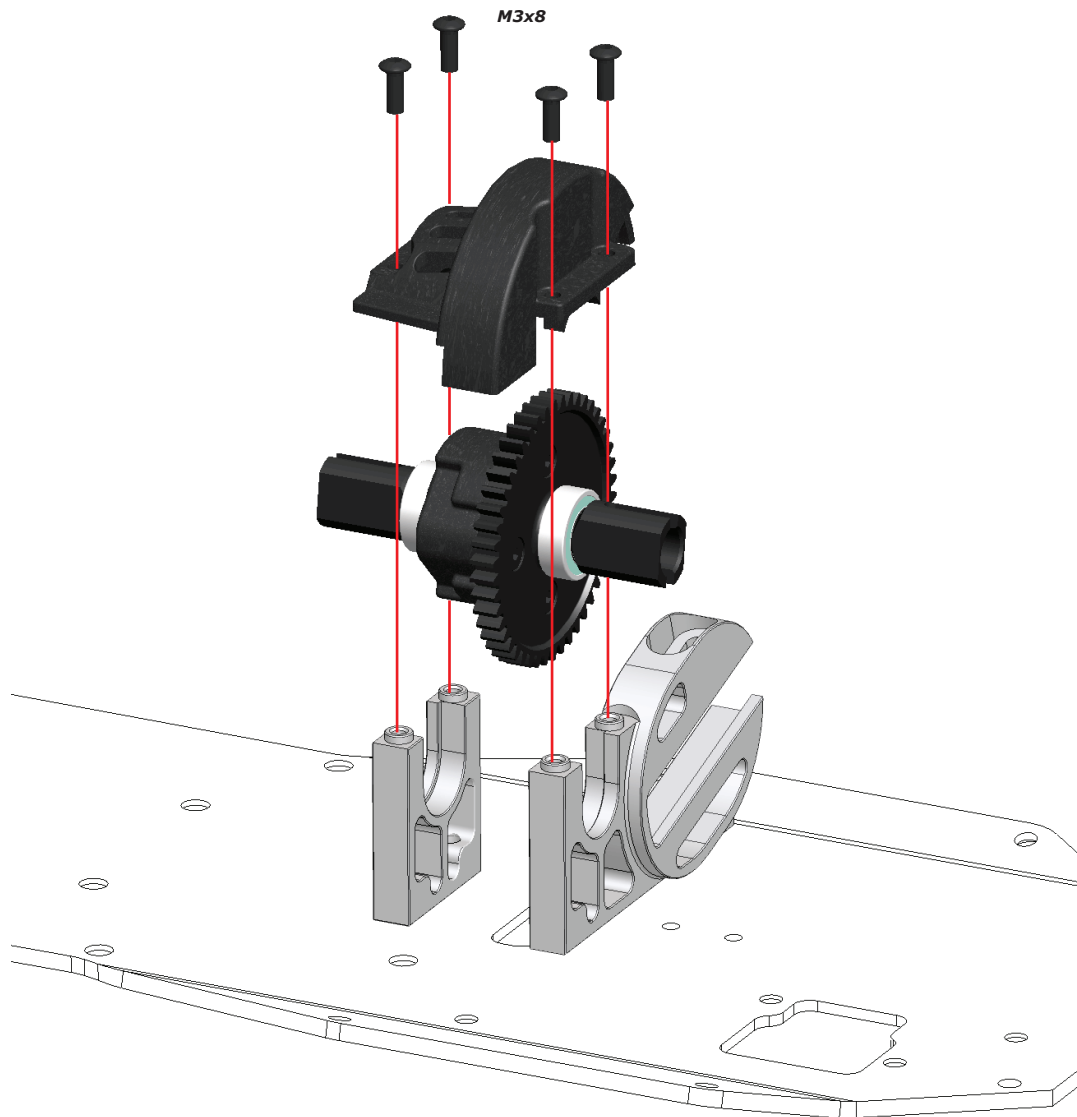
BAG

1



A

8



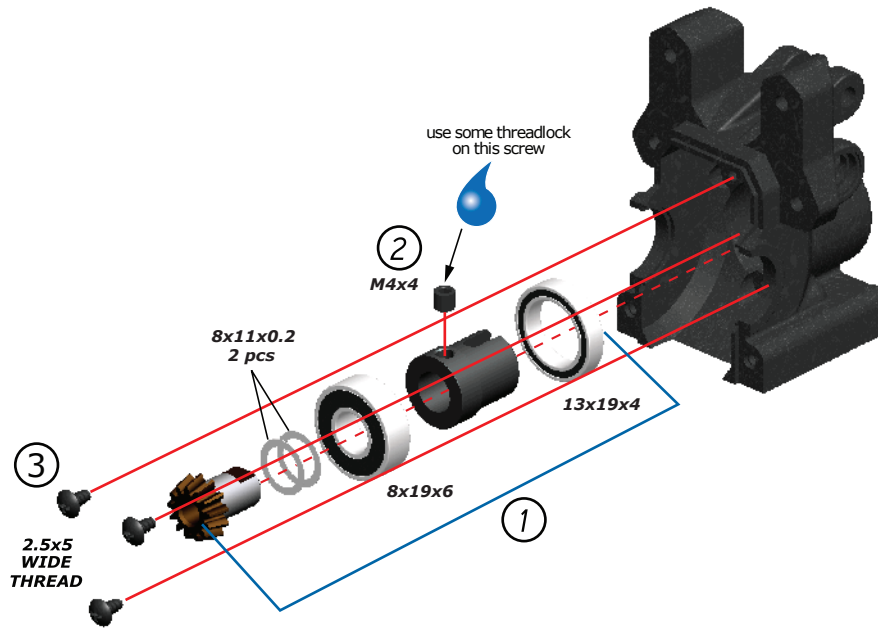
SPORT  
BIE

6

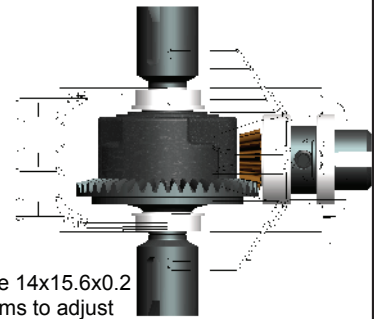
A

9

BAG  
2



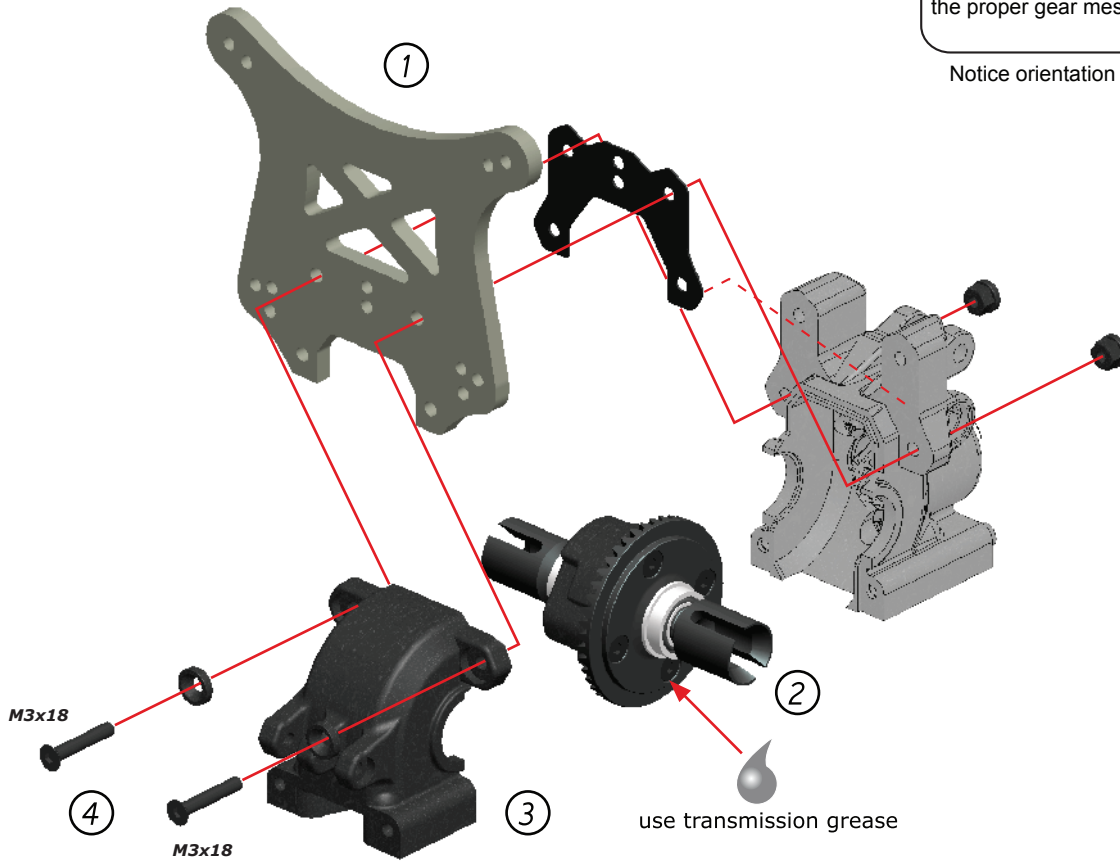
**TIP**



Notice orientation of differential

A

10



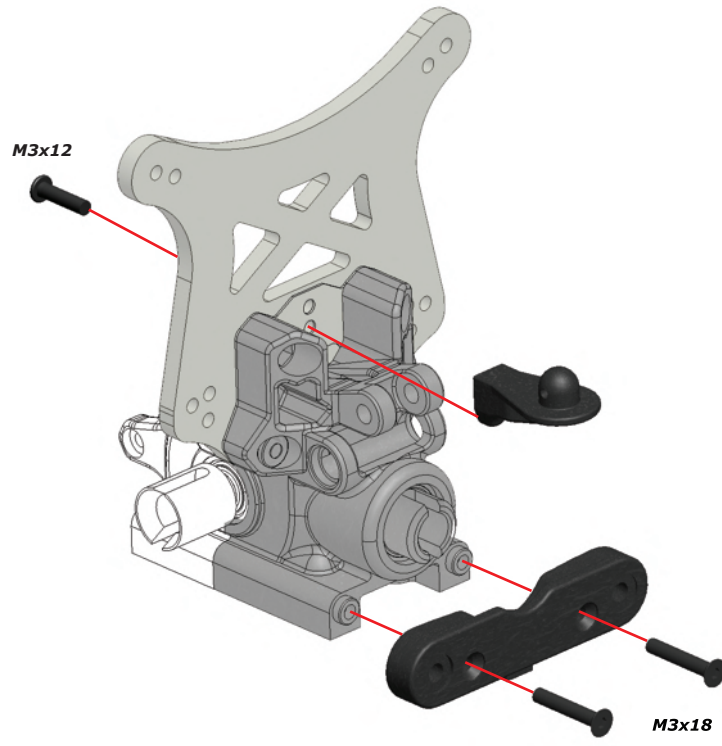
SPORT  
BIE

7



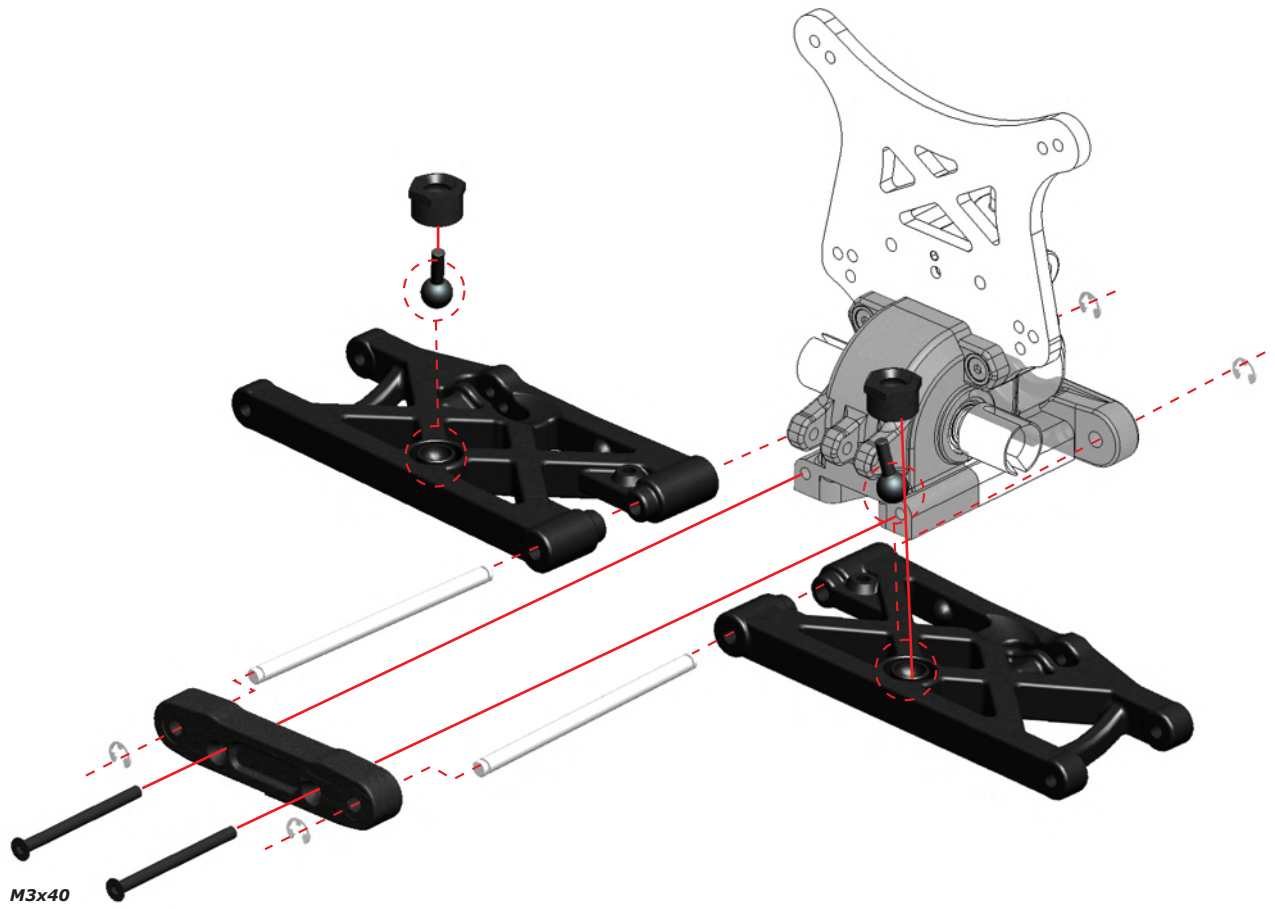
A

11



A

12



BIIE Sport

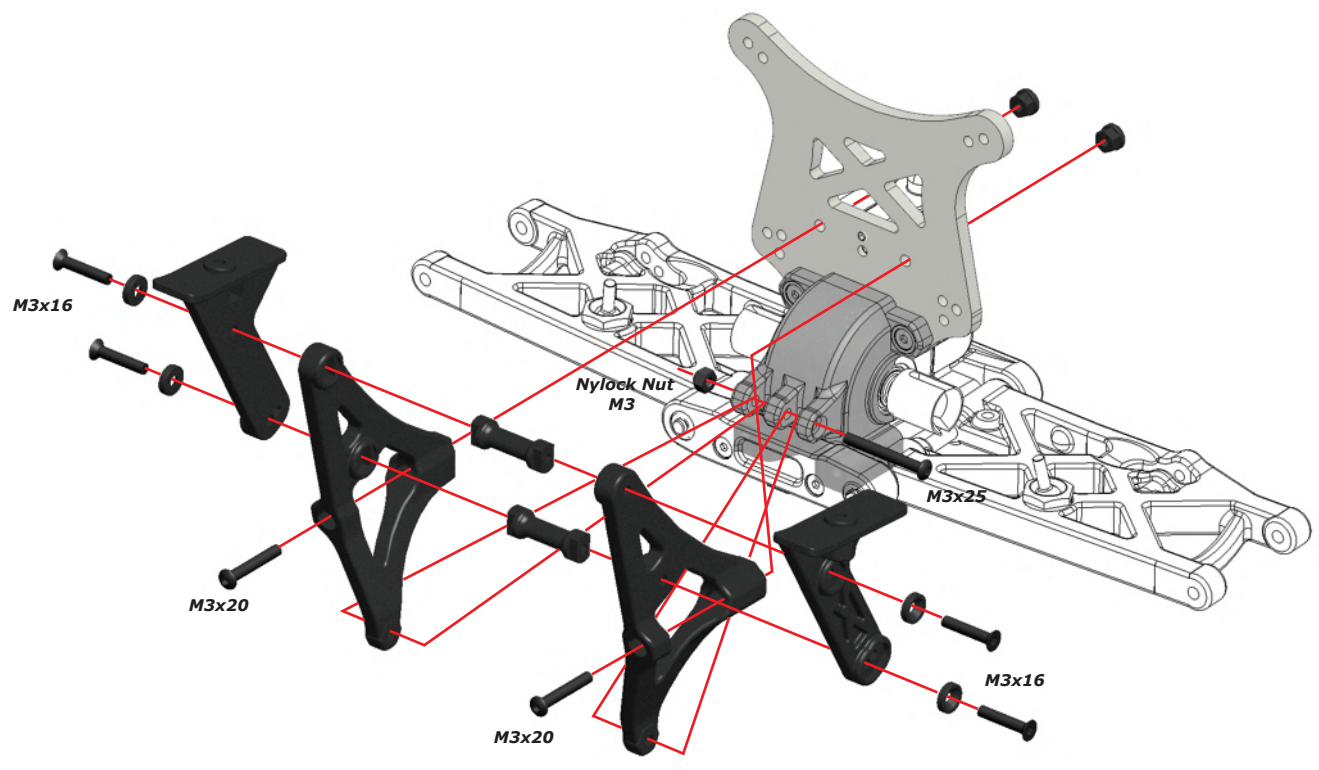
8



A

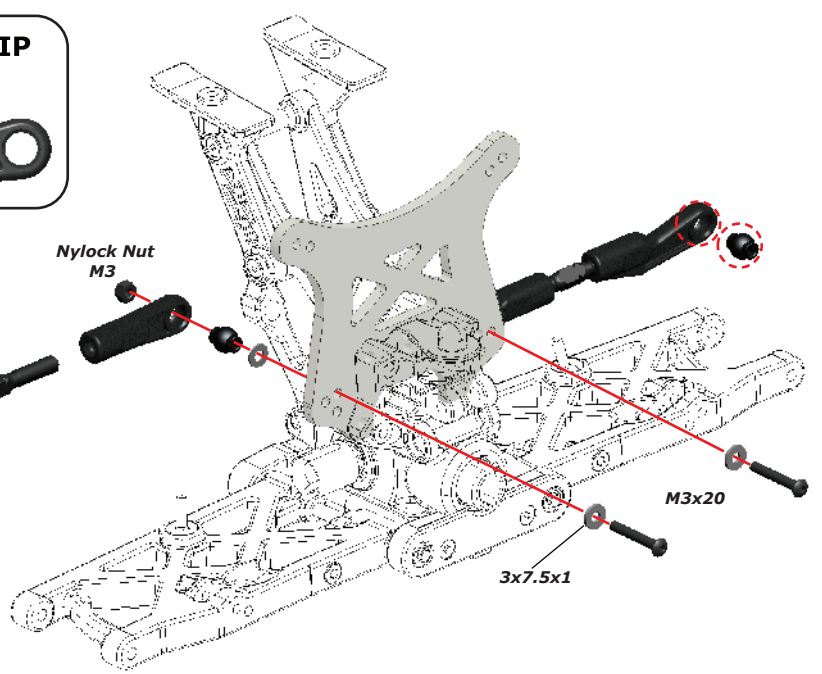
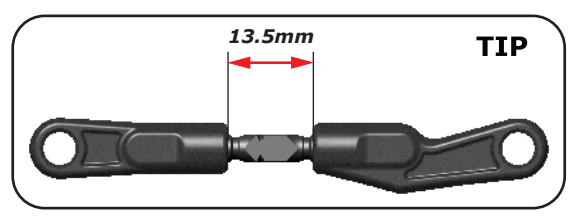
13

BAG  
3



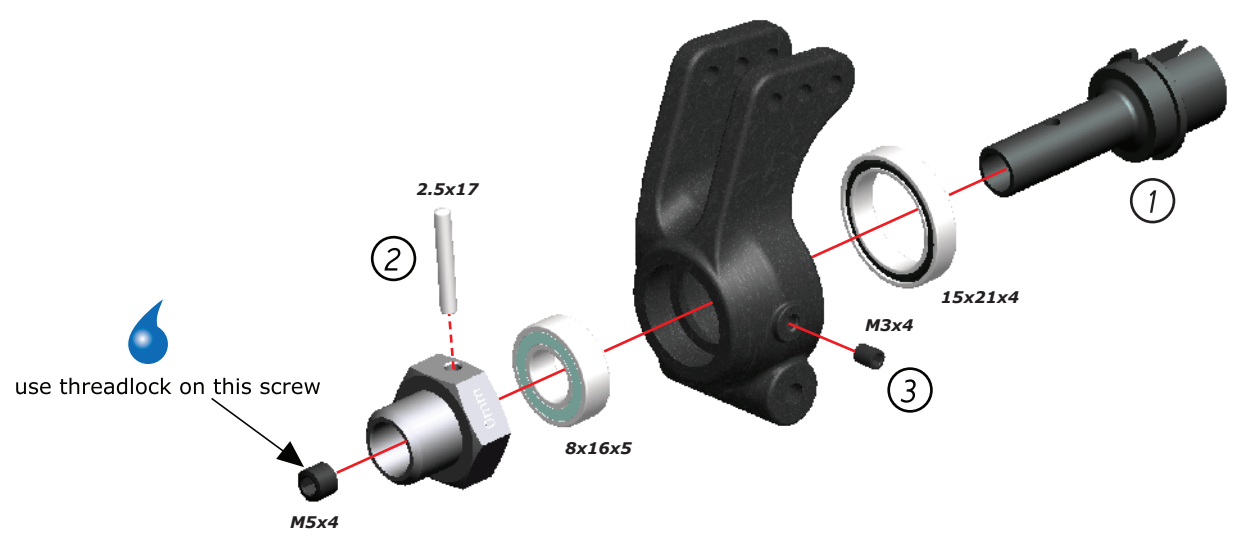
A

14



A

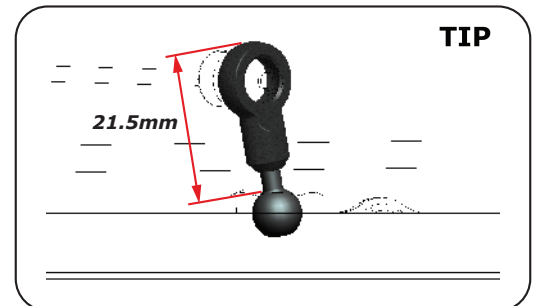
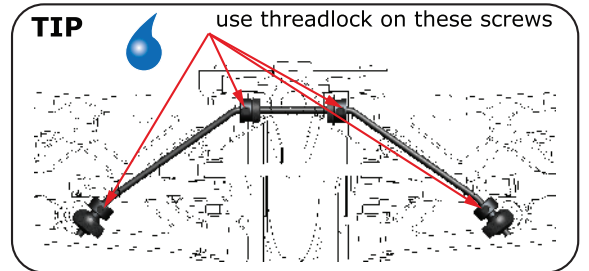
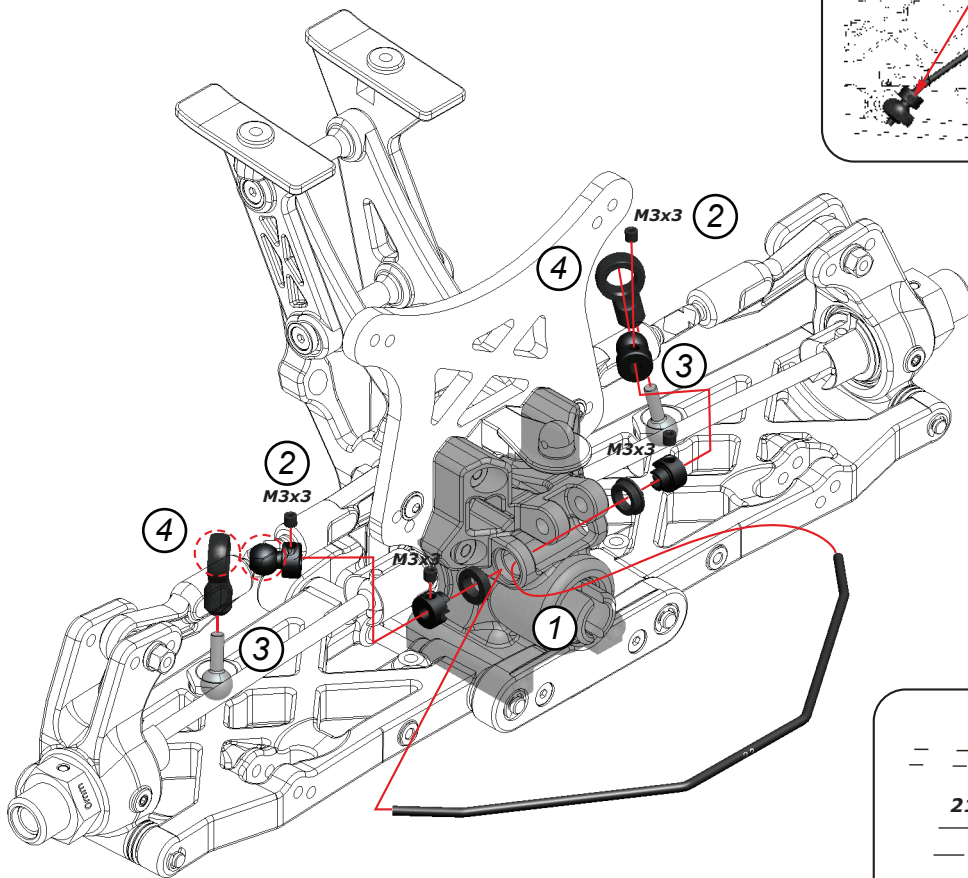
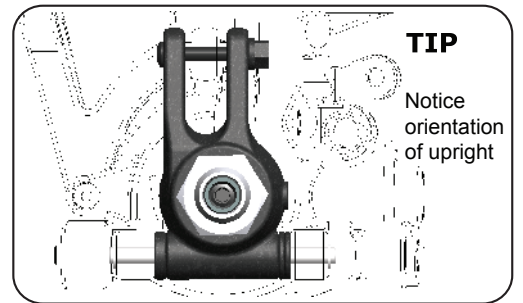
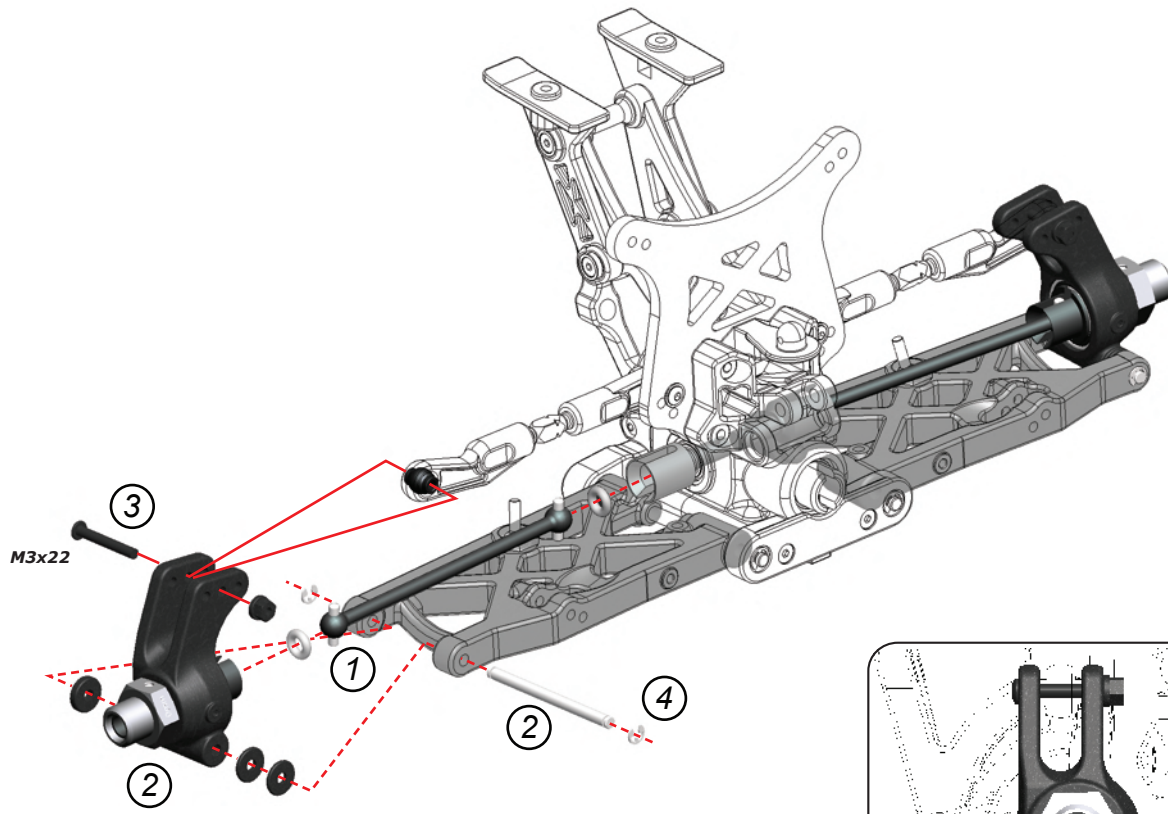
15



SPORT  
BIE

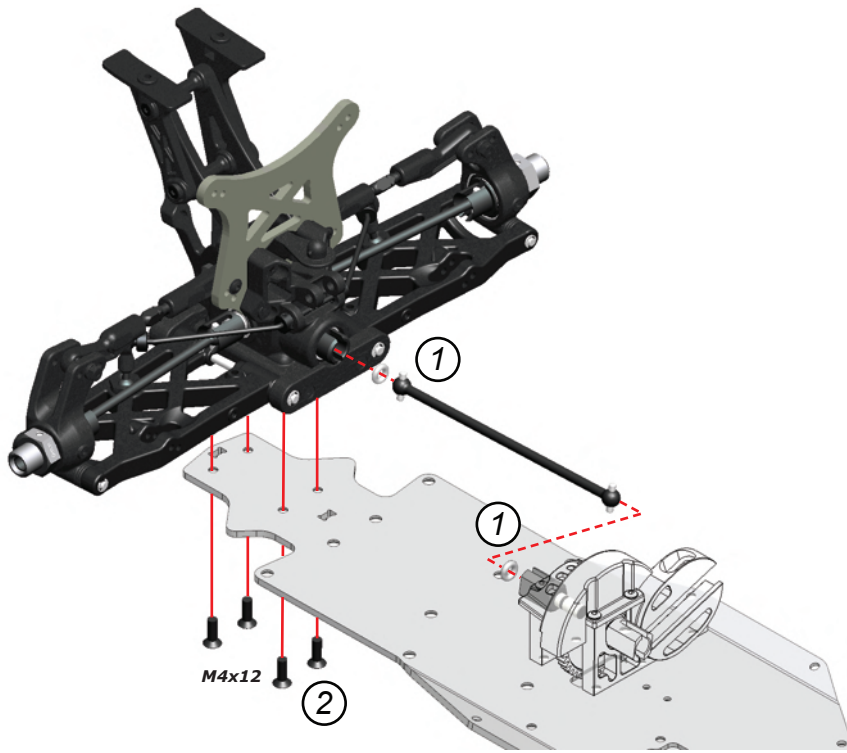
9





A

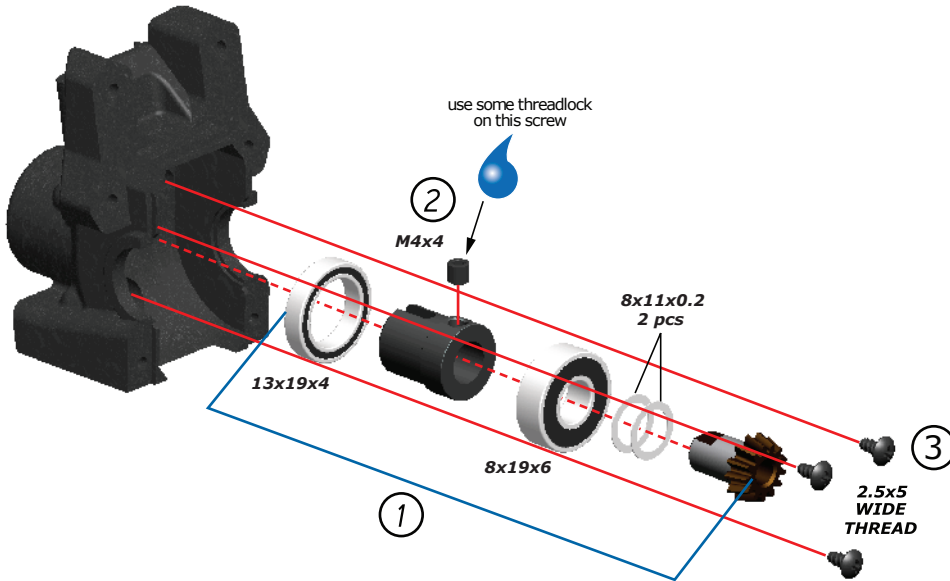
18



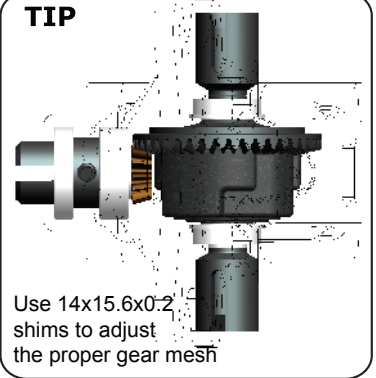
A

19

BAG  
4



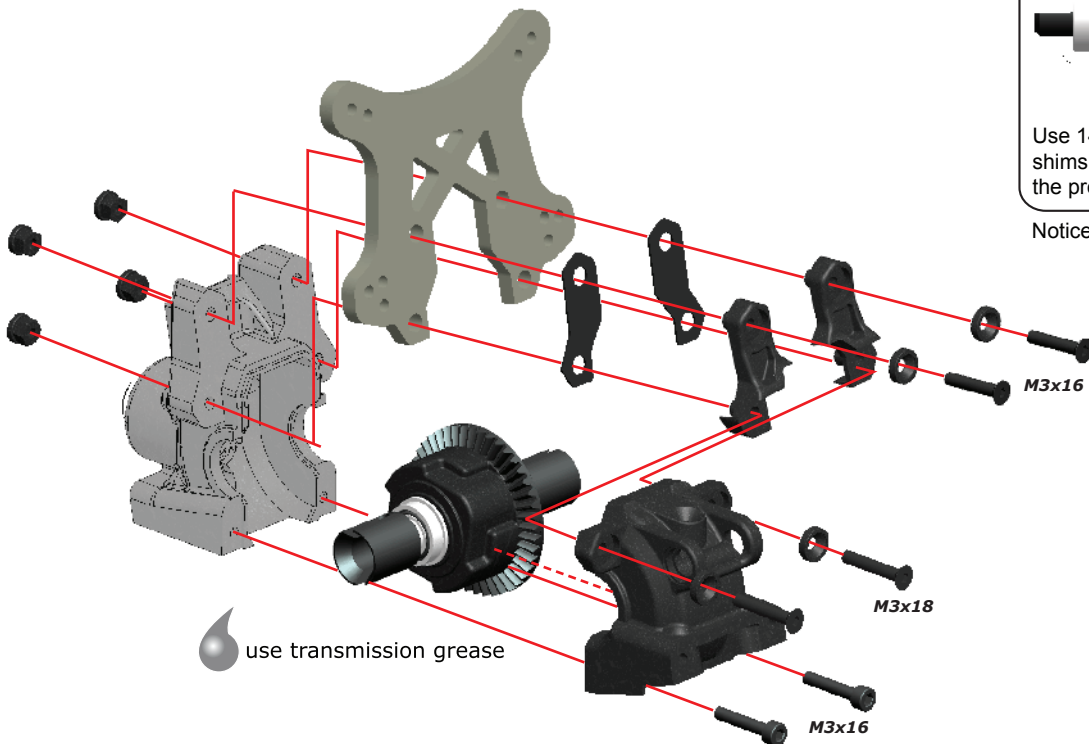
**TIP**



Notice orientation of differential

A

20

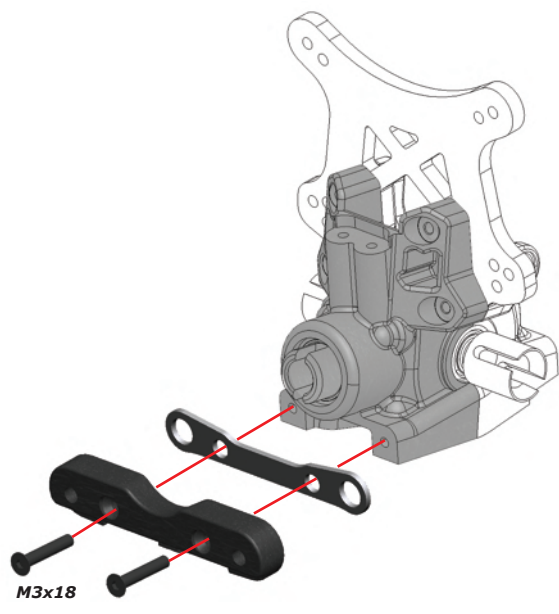


SPORT  
BIE

11

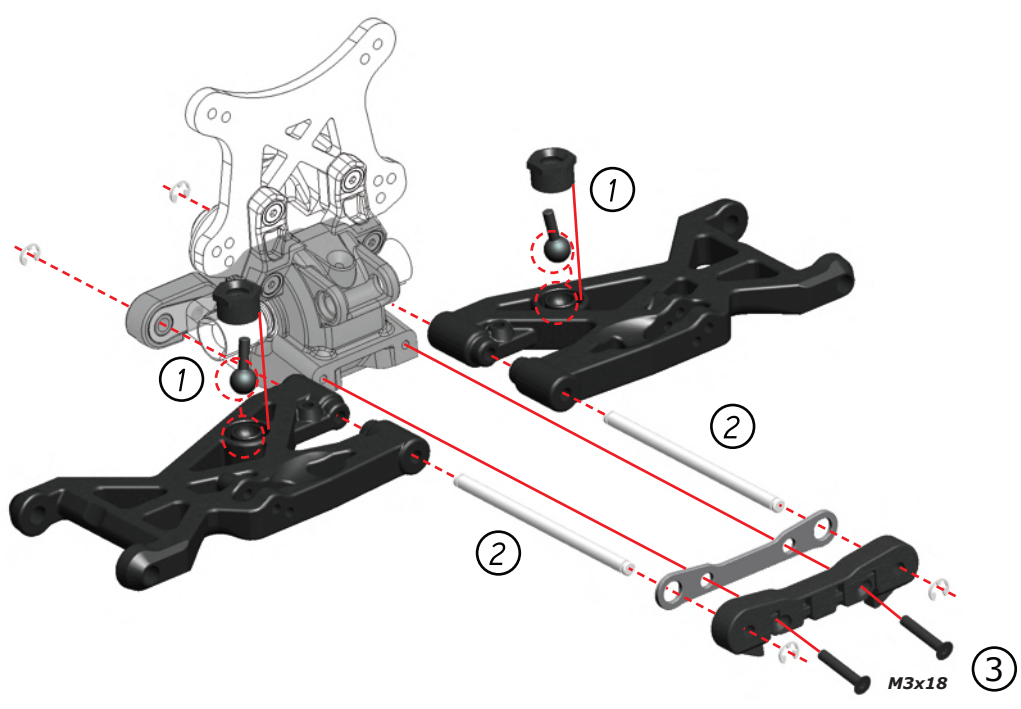
A

21



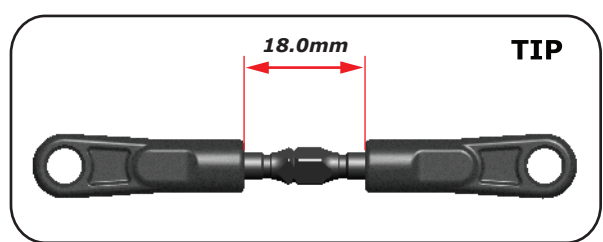
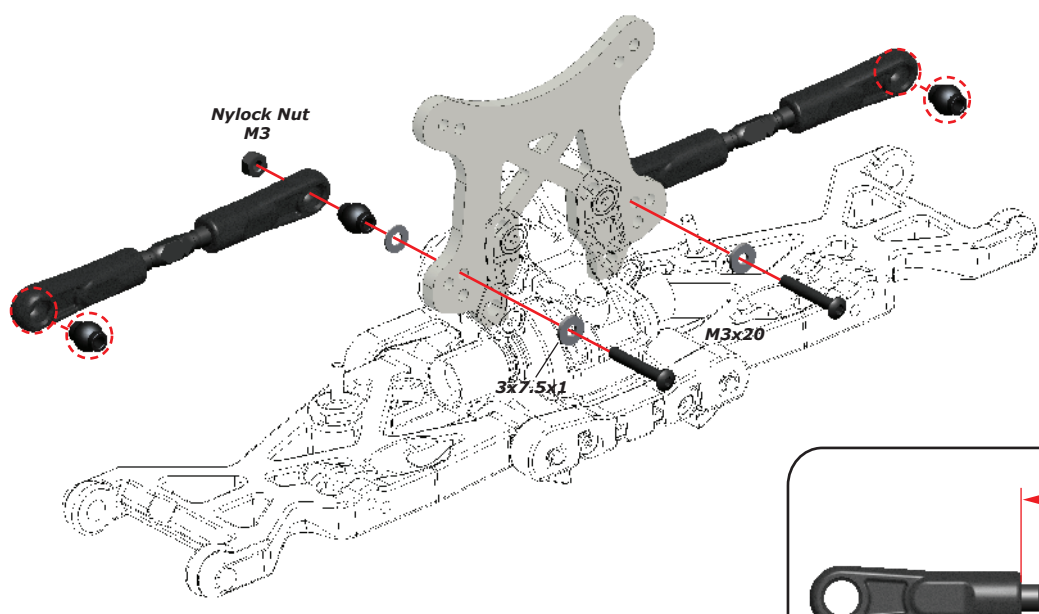
A

22



A

23



BIIE sport

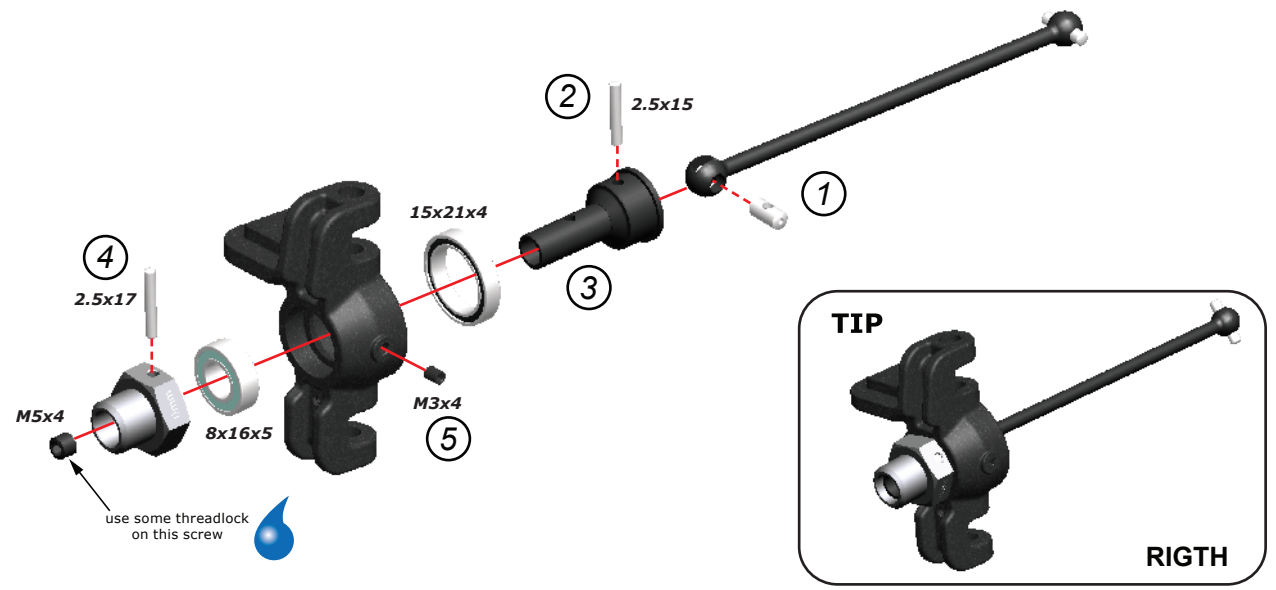
12



A

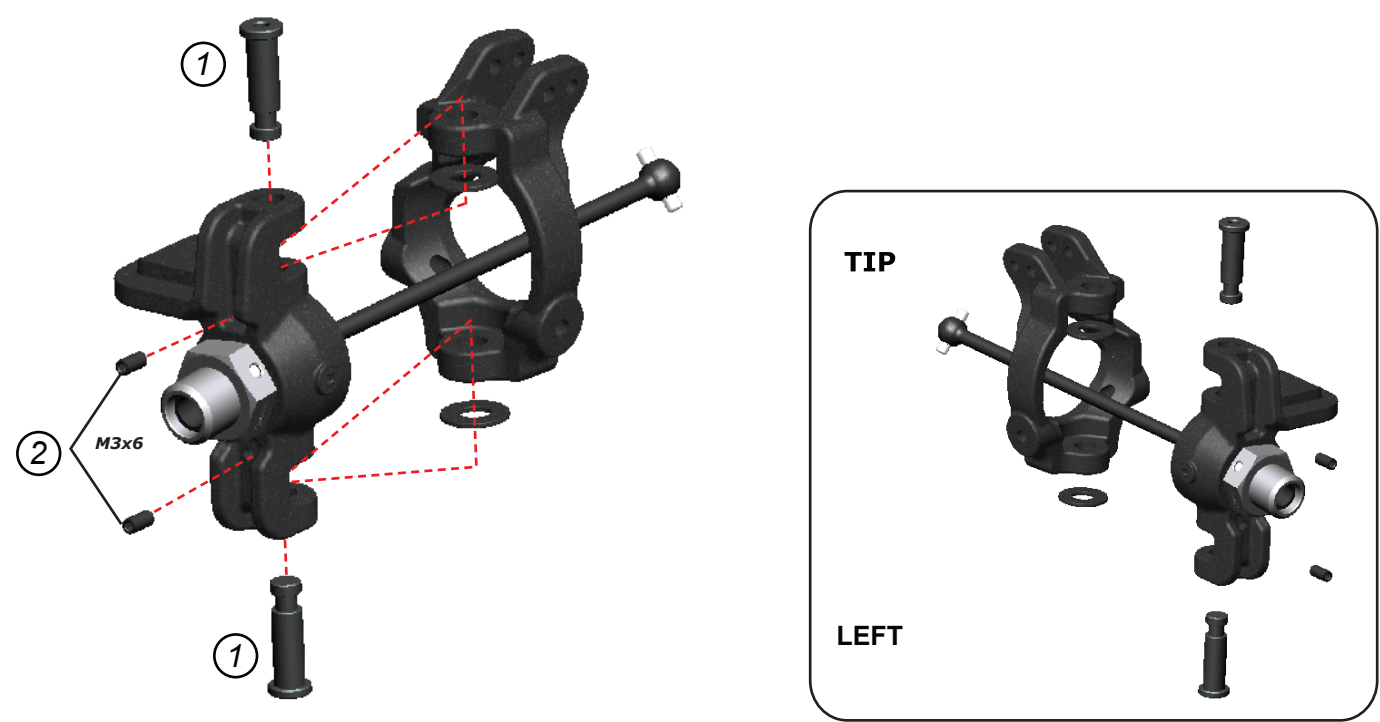
24

BAG  
5



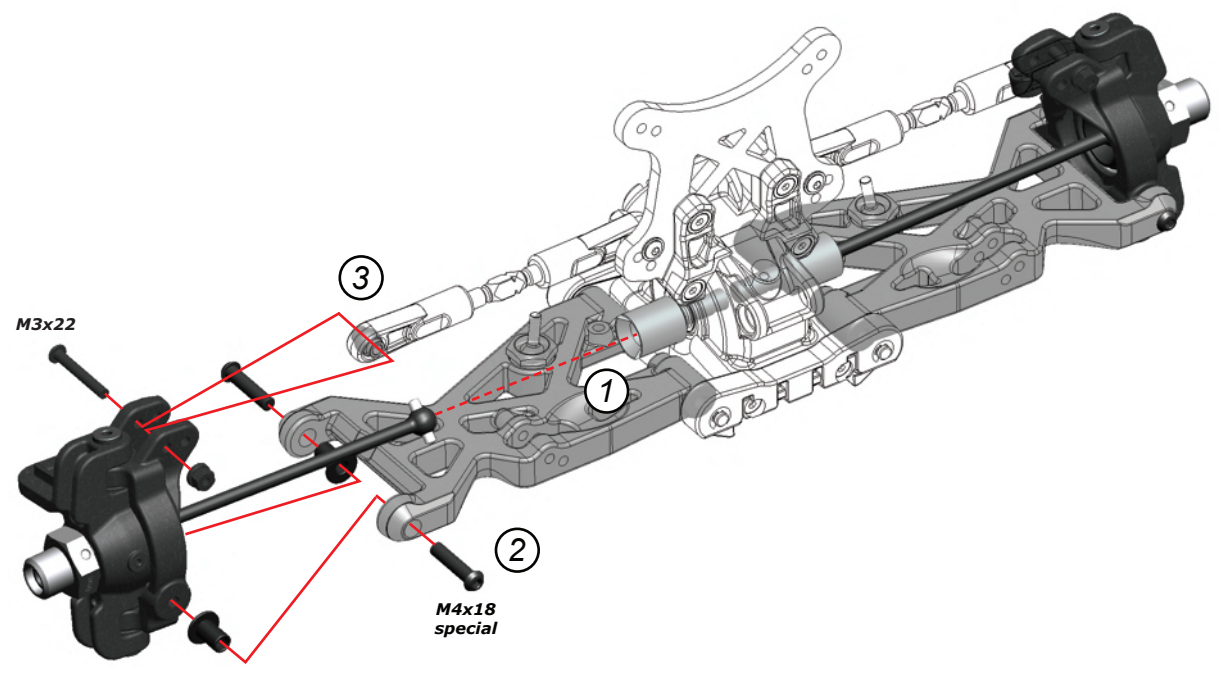
A

25



A

26

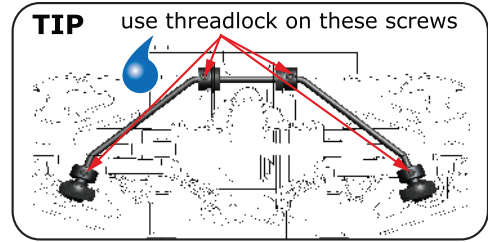
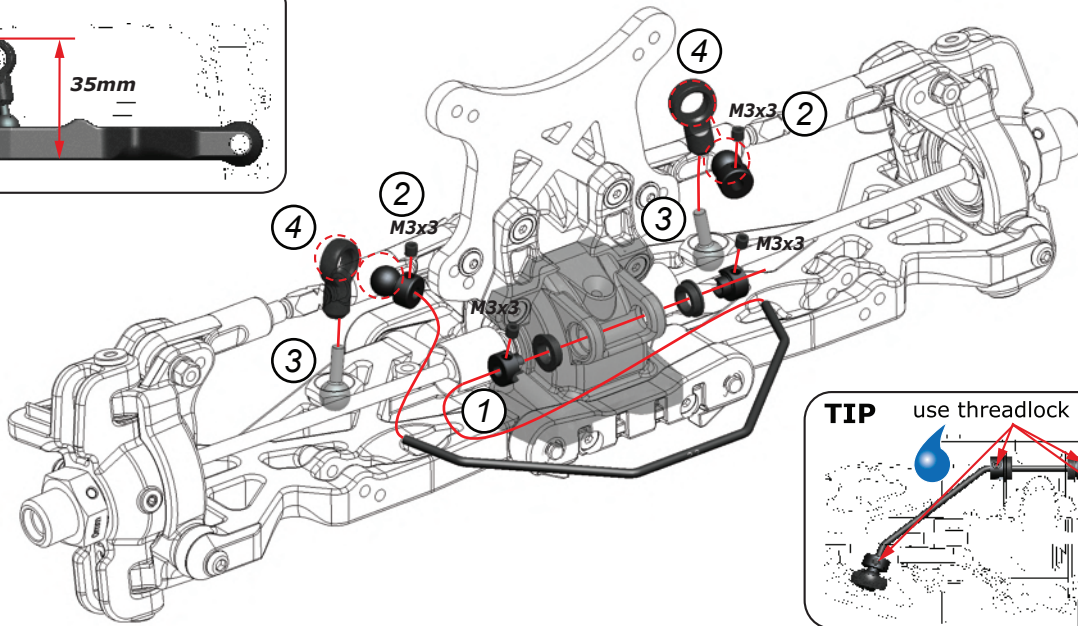
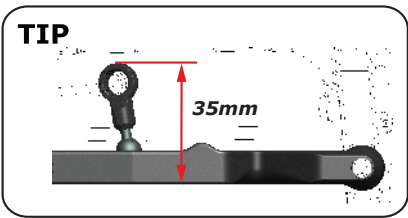


SPORT  
BIKE

13

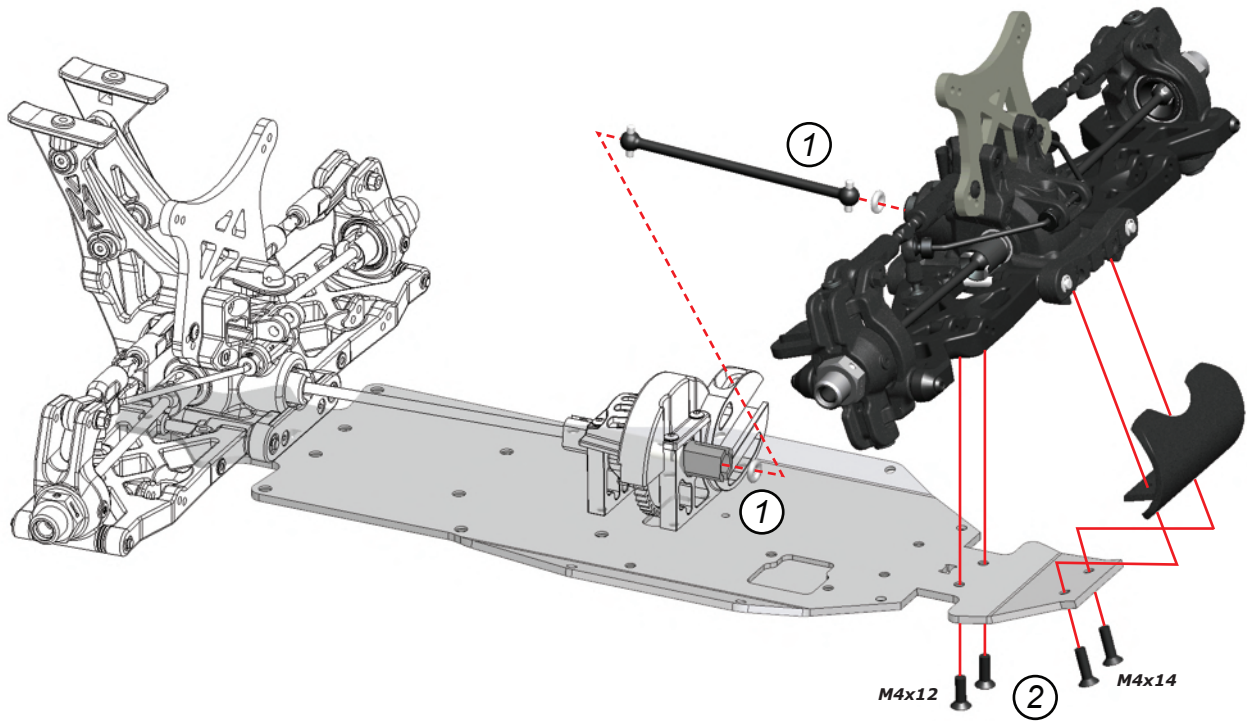
A

27



A

28



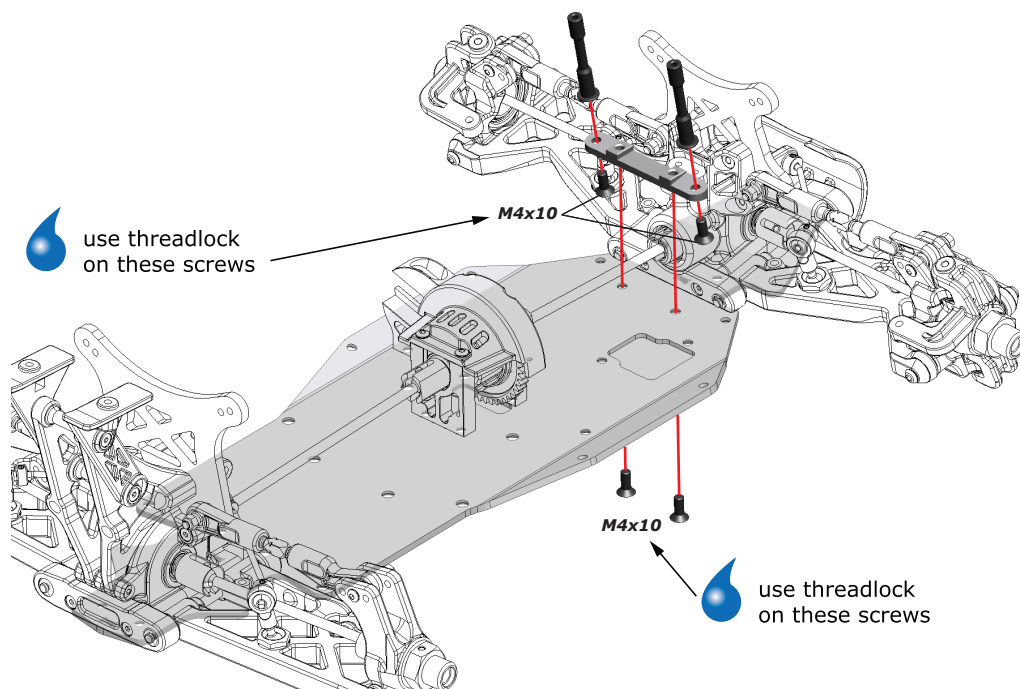
A

29

BAG

6

BIFF sport

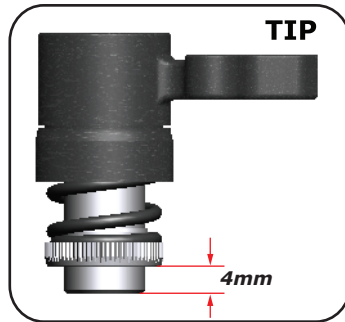
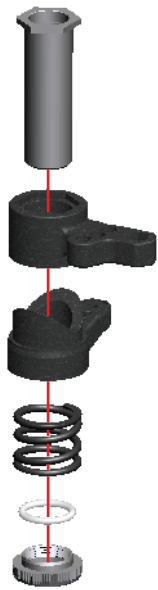


14



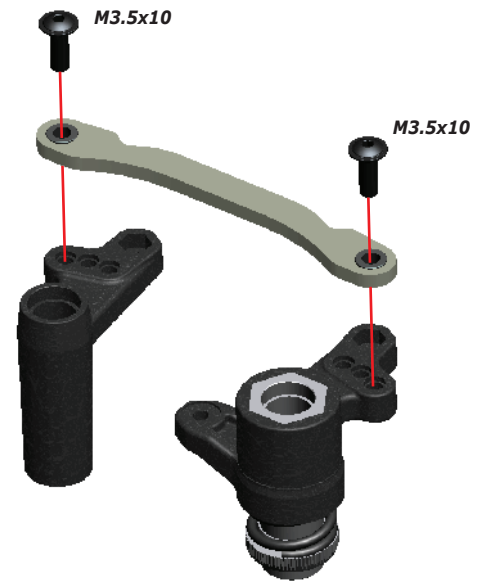
A

30



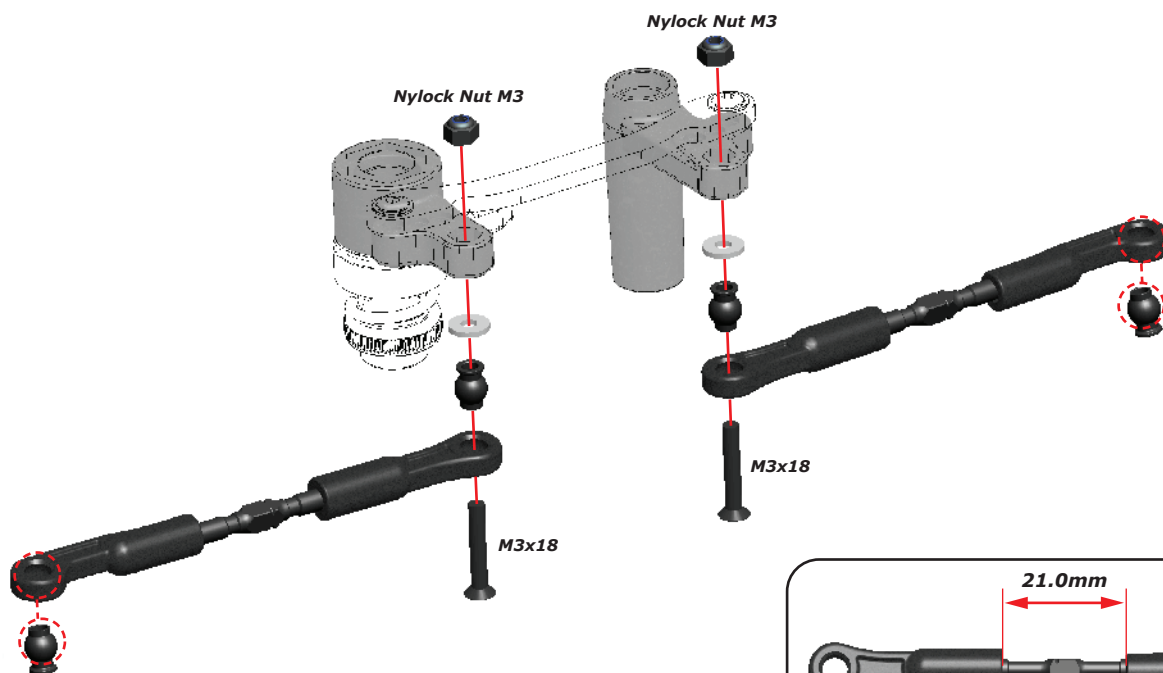
A

31



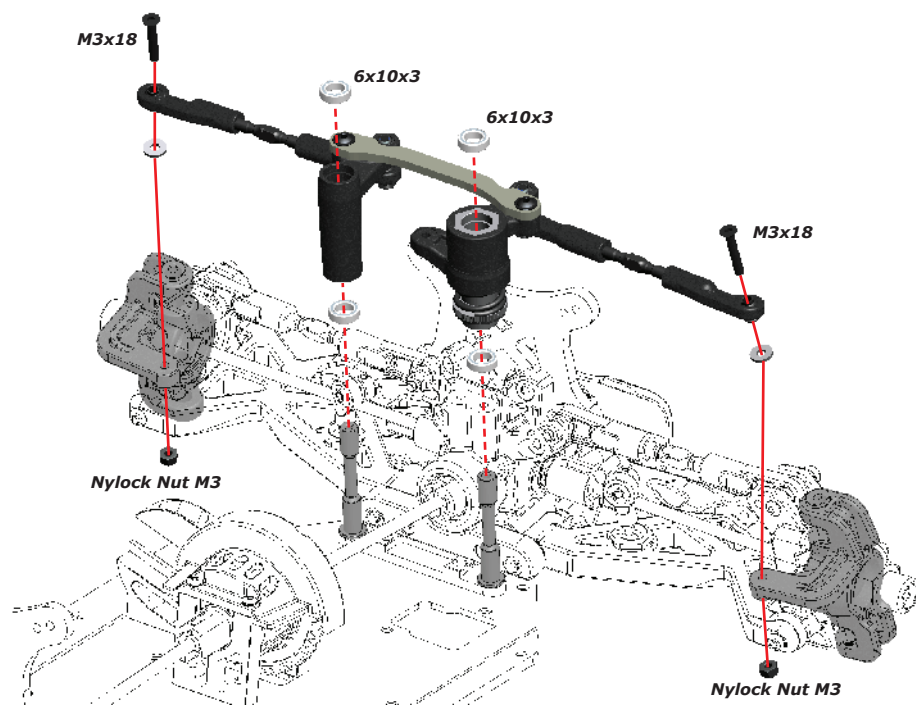
A

32



A

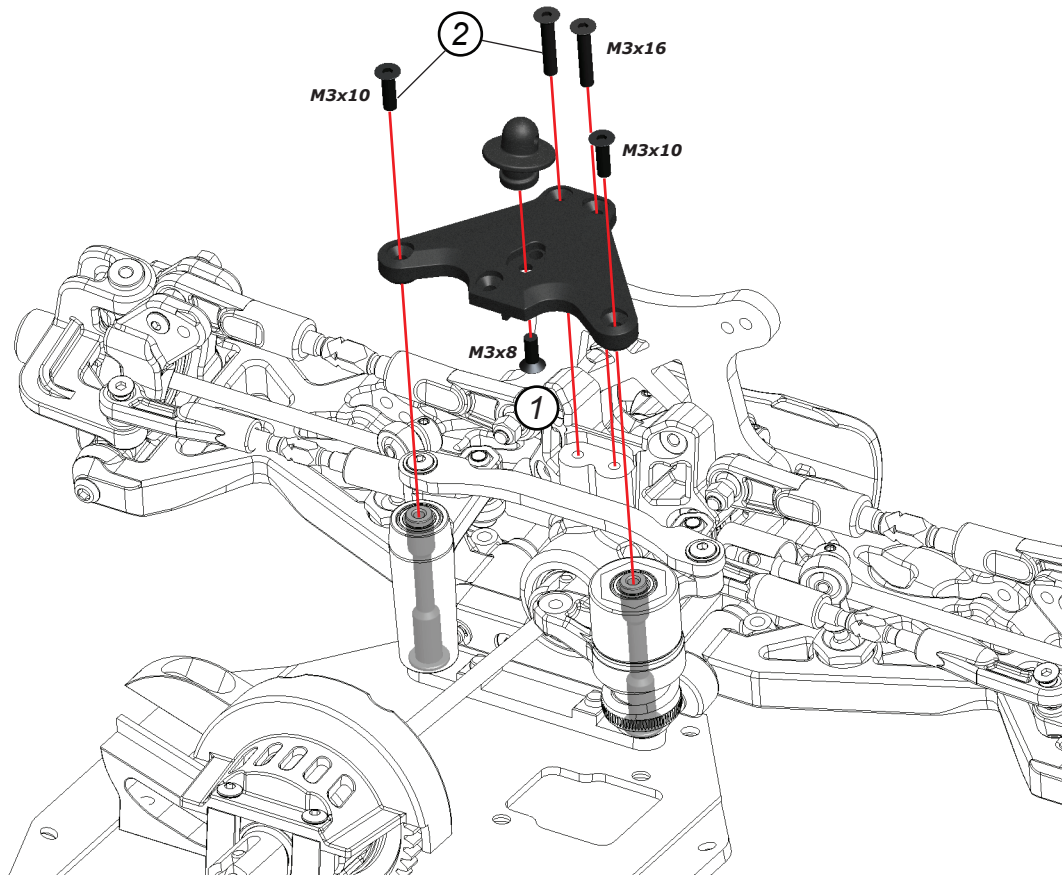
33





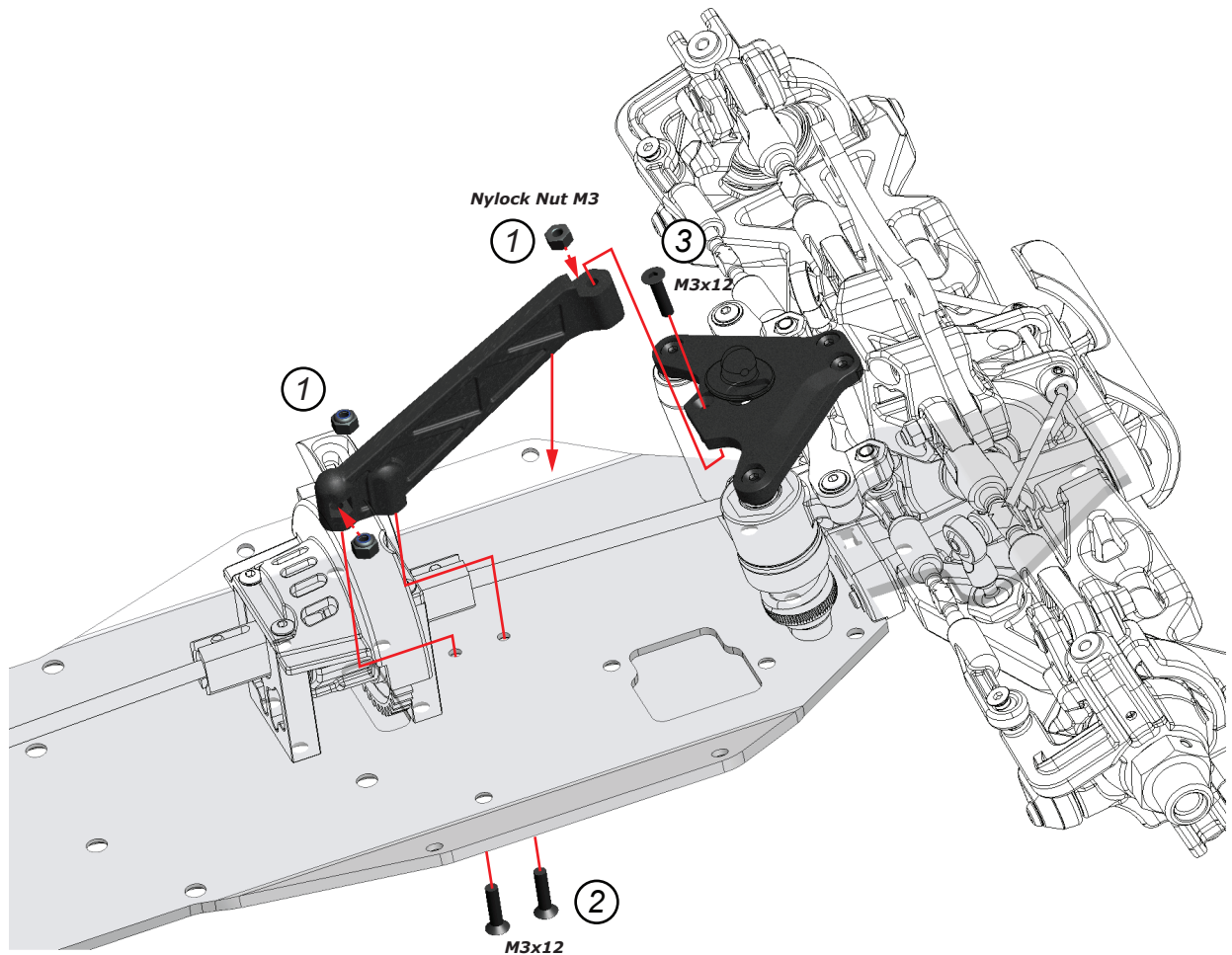
A

34



A

35



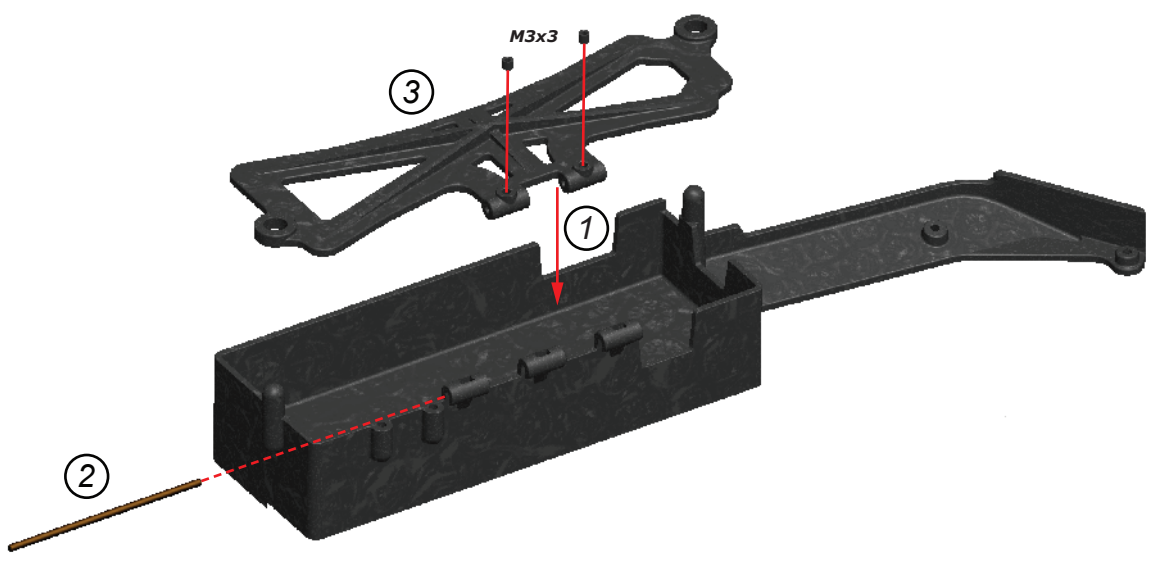
SPORT  
BIE

16

C

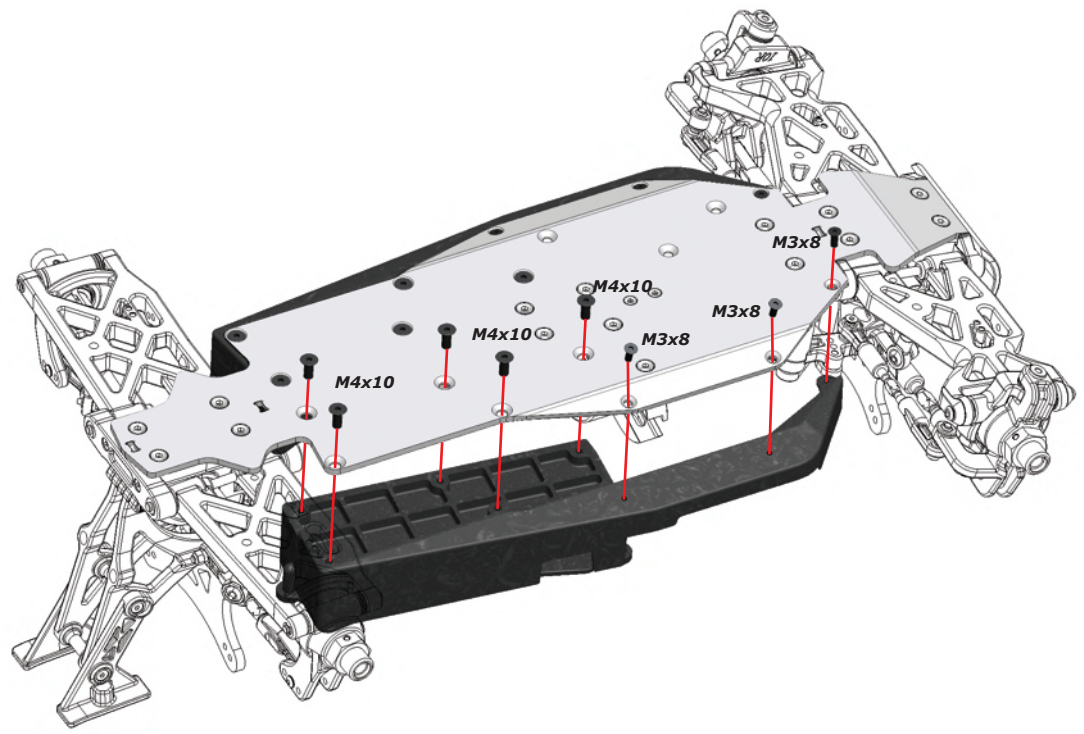
1

BAG  
7



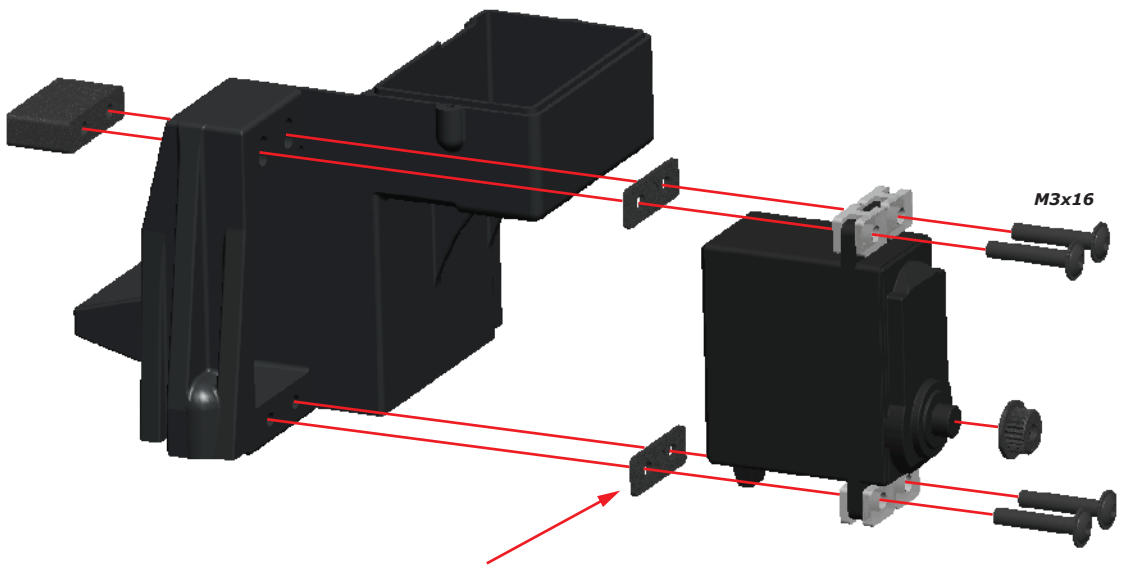
C

2



C

3

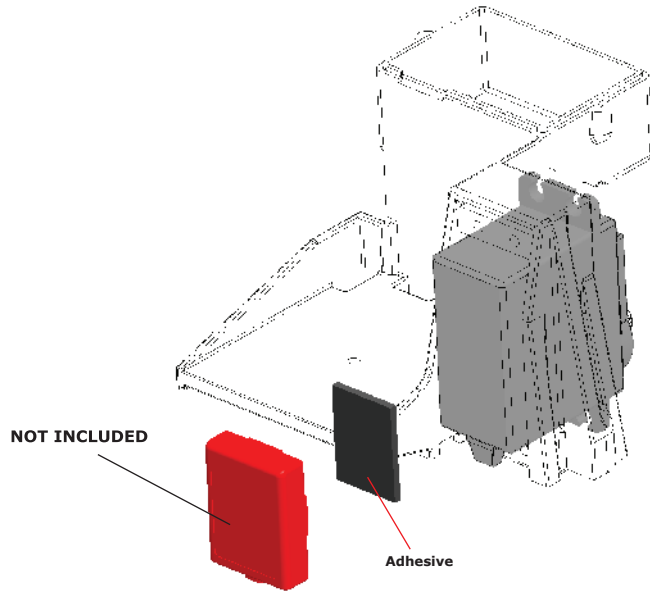


Use shims to allow servolever to clear radiobox by 0.5 to 1.0mm (see step C6)

**Inserts:**  
 23T Sanwa / KO / JR  
 24T Hitec  
 25T Futaba

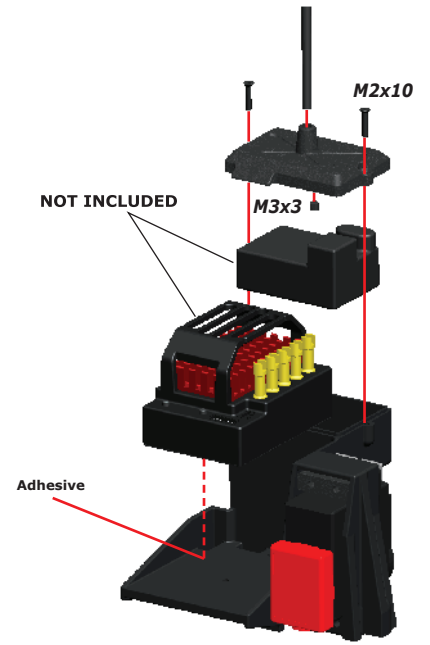
C

4



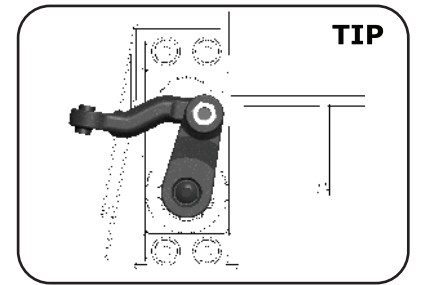
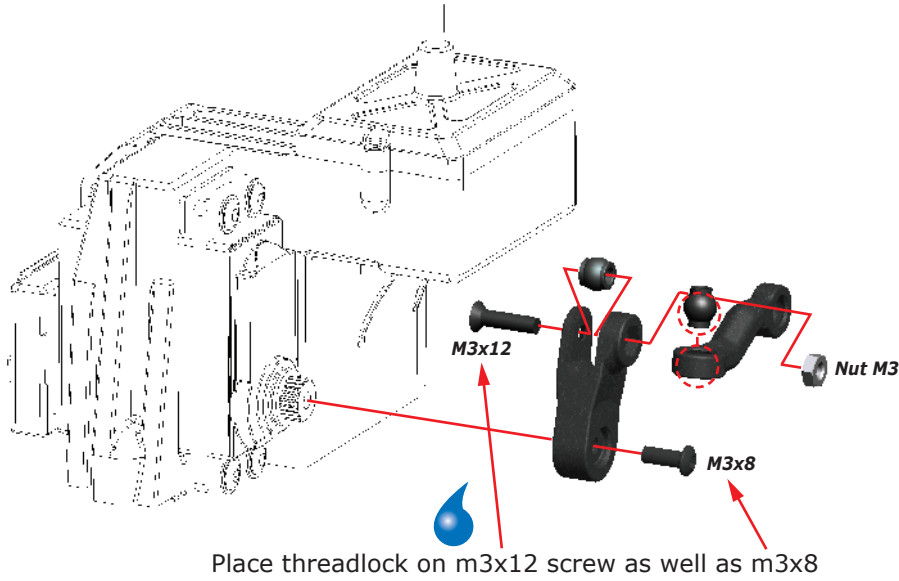
C

5



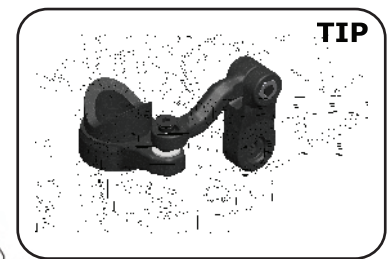
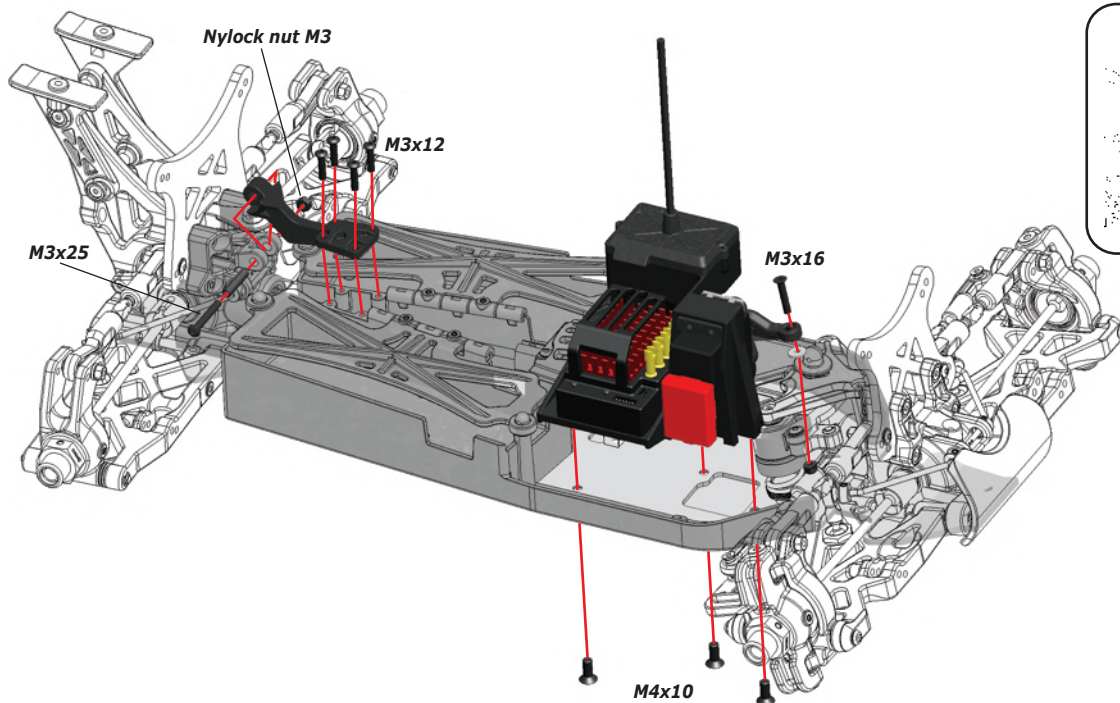
C

6



C

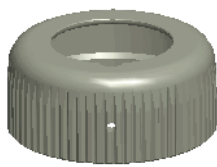
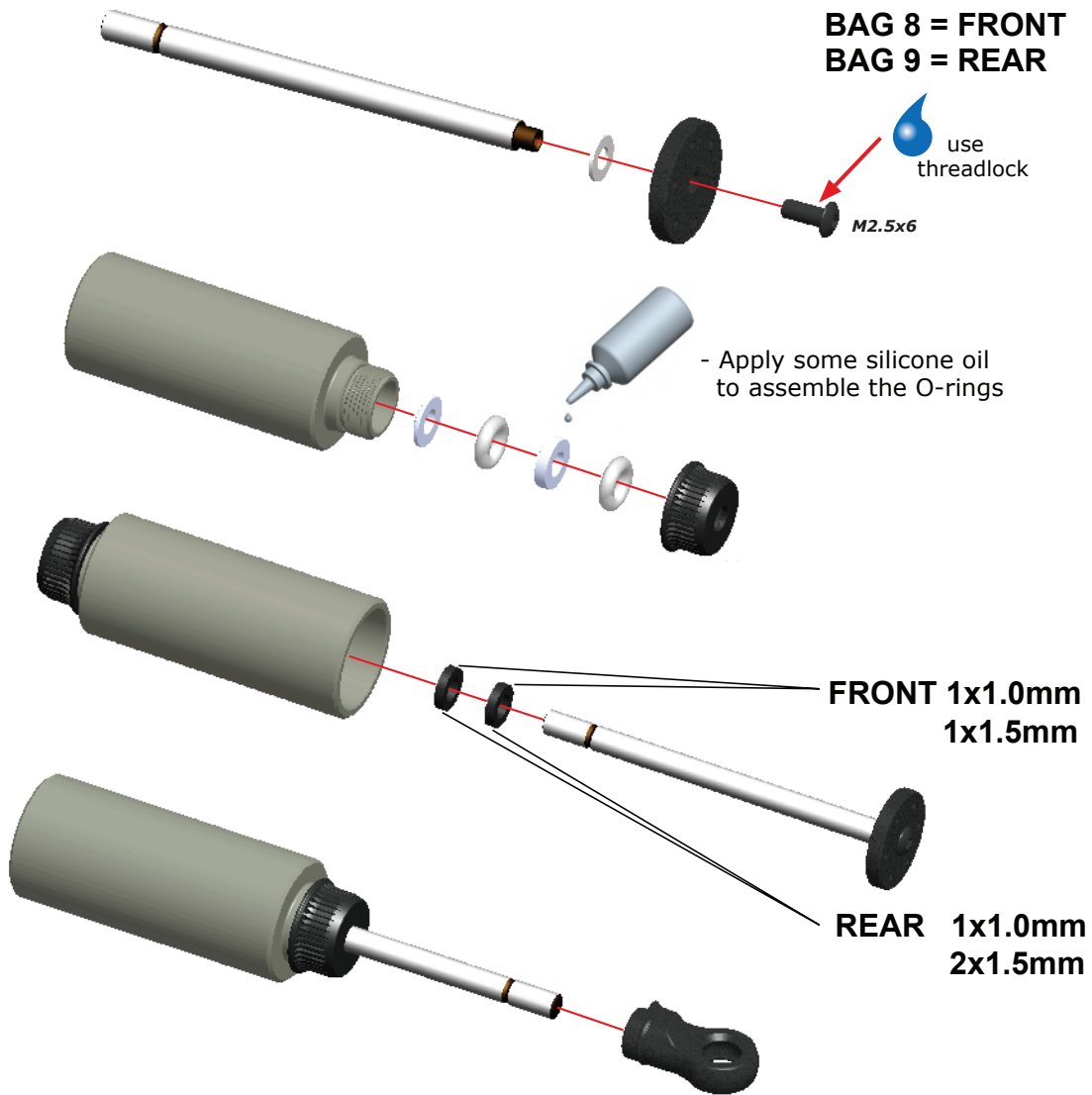
7





# FRONT/REAR SHOCK ASSEMBLY

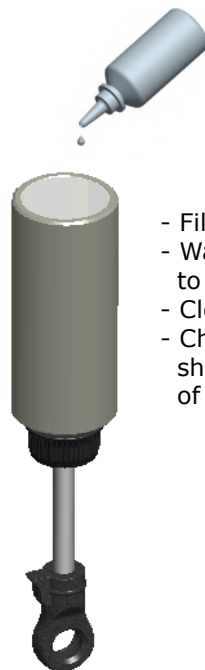
**BAG 8 = FRONT**  
**BAG 9 = REAR**



**D**  
**6A**



Push membrane into the shock top



**D**  
**6B**



D

1

BAG 8/9

D

2

D

3

D

4

D

5

SPORT  
BIKE

19



D

7A

D

7B

D

8

D

9

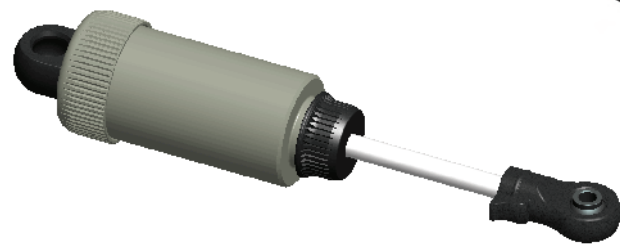
BIIE sport

20

- Shock length

- FR=37mm

- RR=42mm



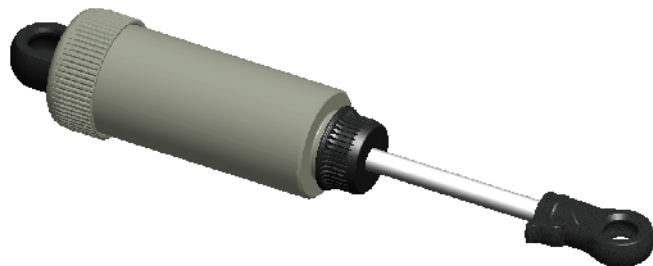
2.0mm

1.5mm

1.0mm



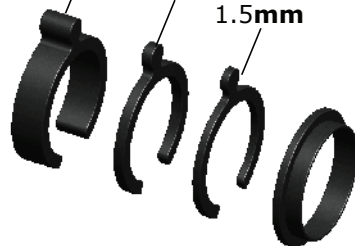
FRONT



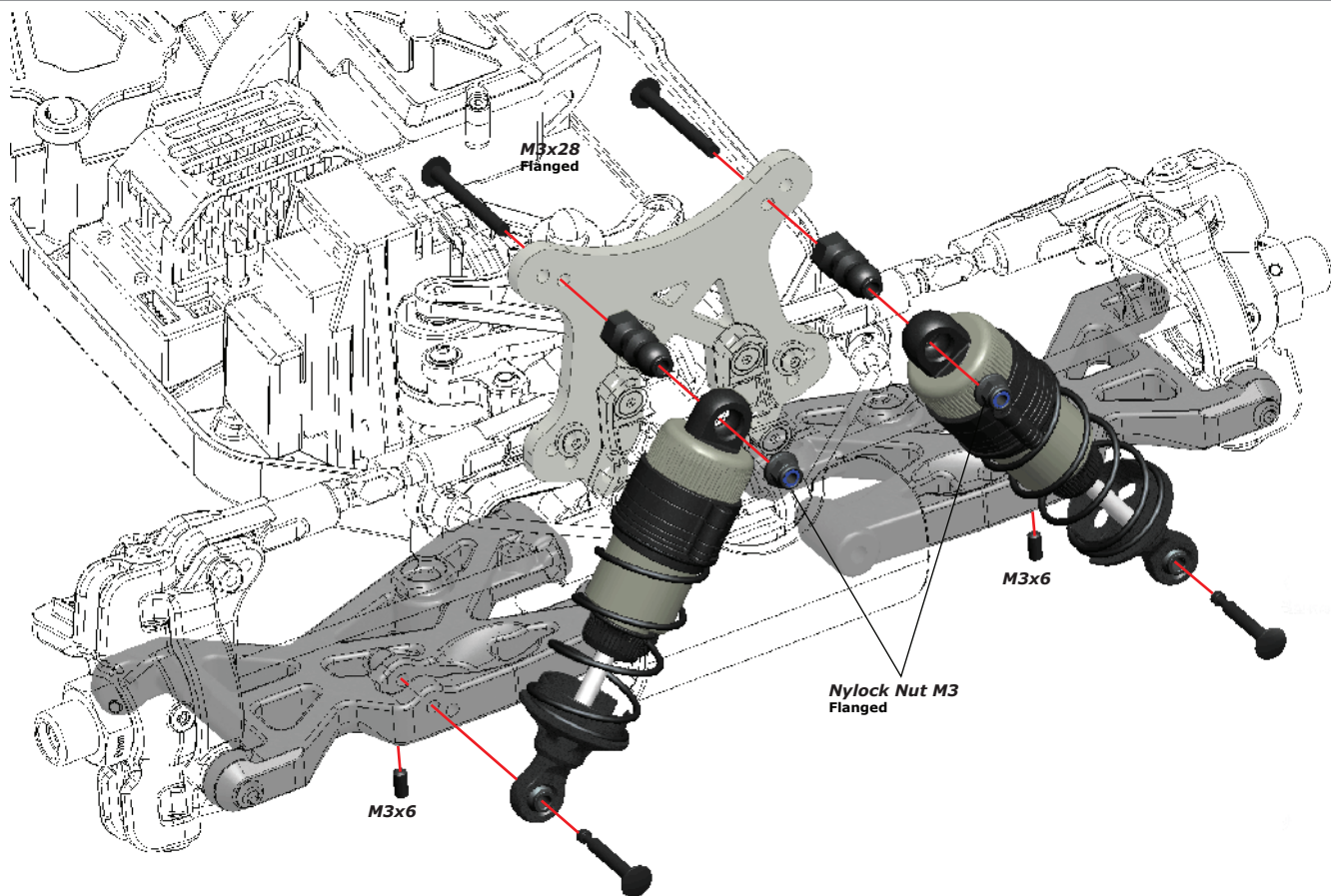
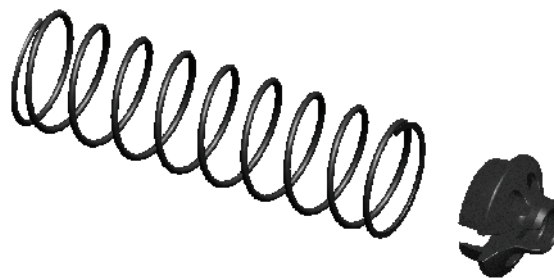
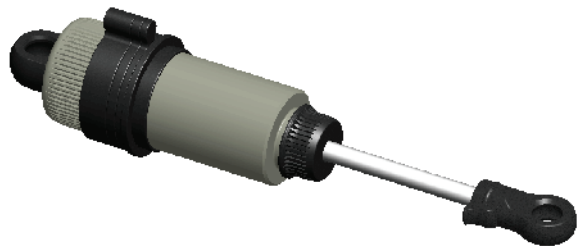
6.0mm

2.0mm

1.5mm



REAR



M3x28  
Flanged

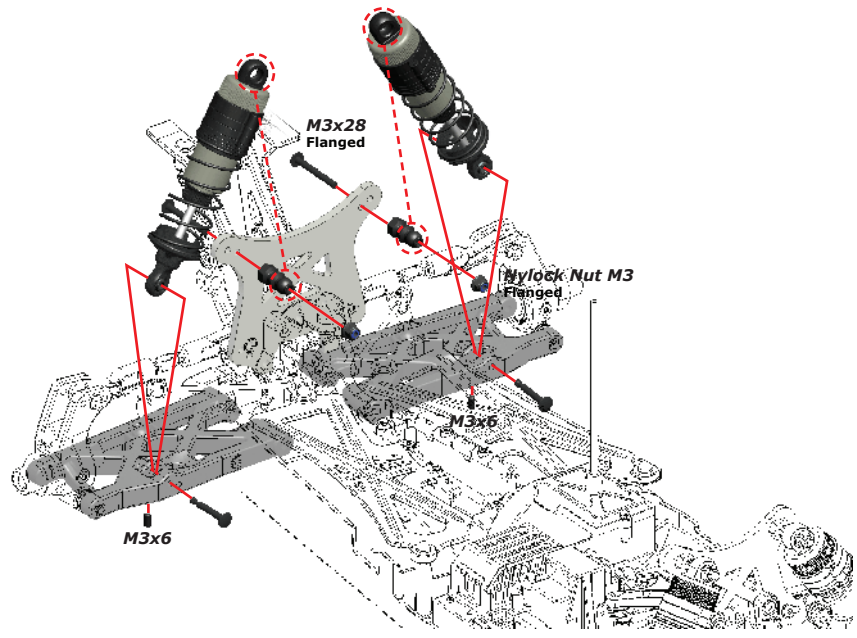
M3x6

Nylock Nut M3  
Flanged

M3x6

D

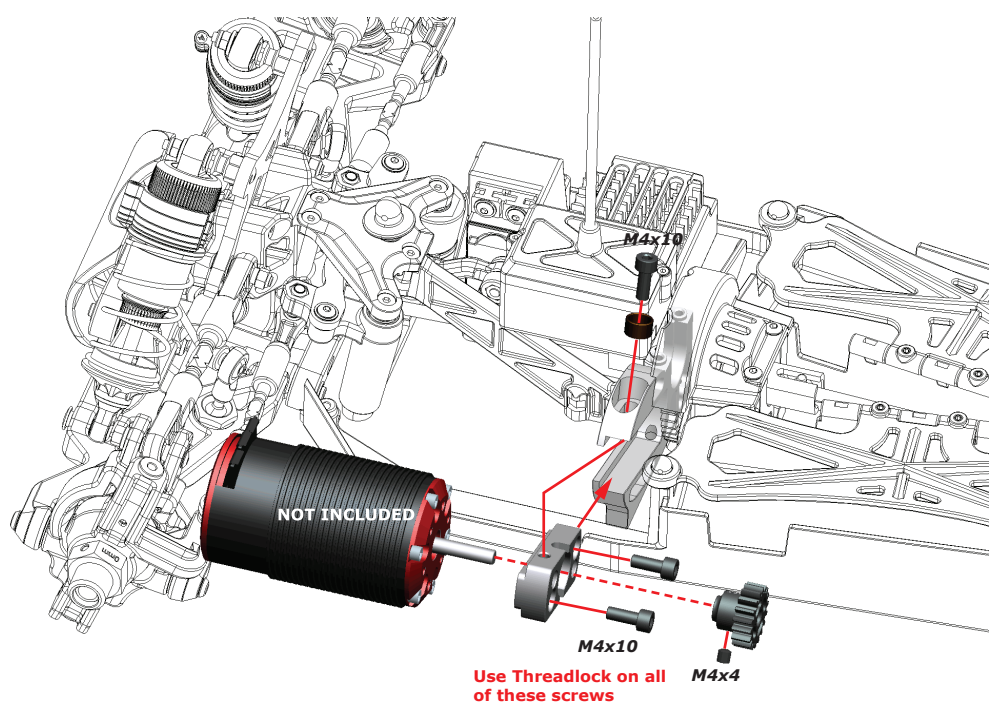
10



E

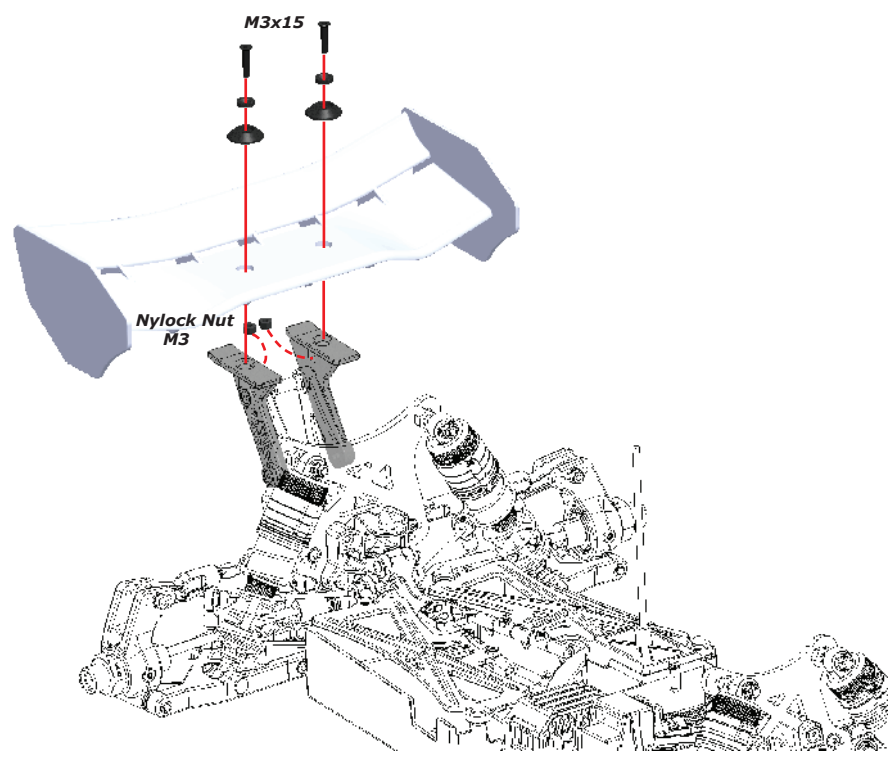
1

BAG 10



E

2



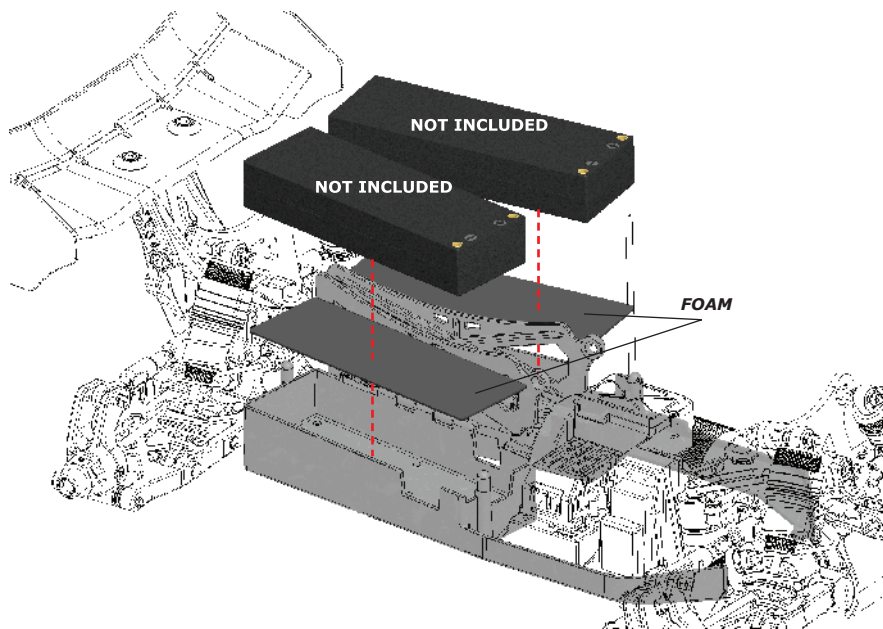
SPORT  
BIE

21



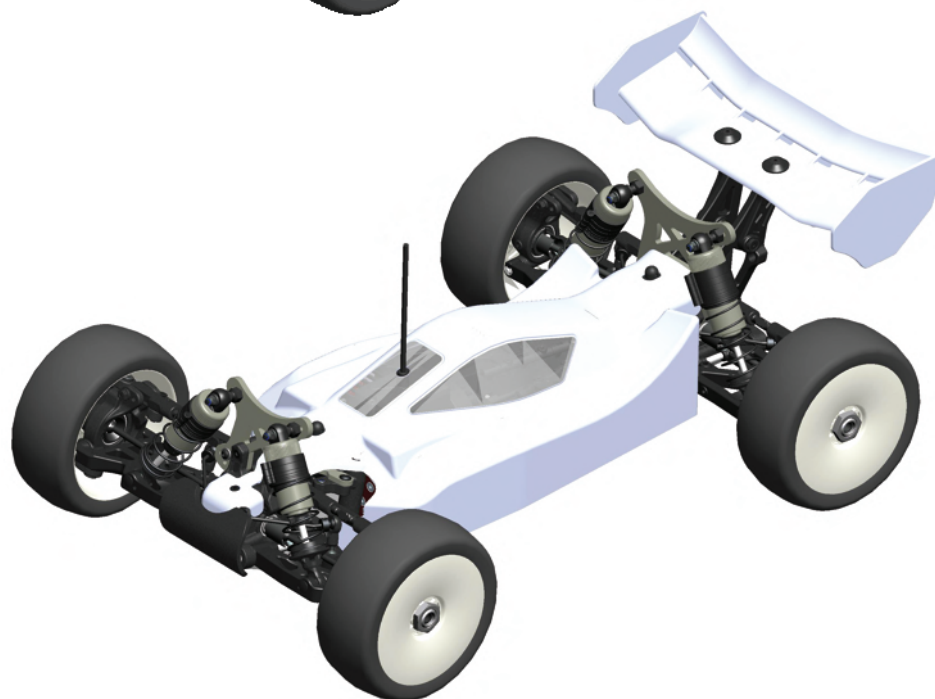
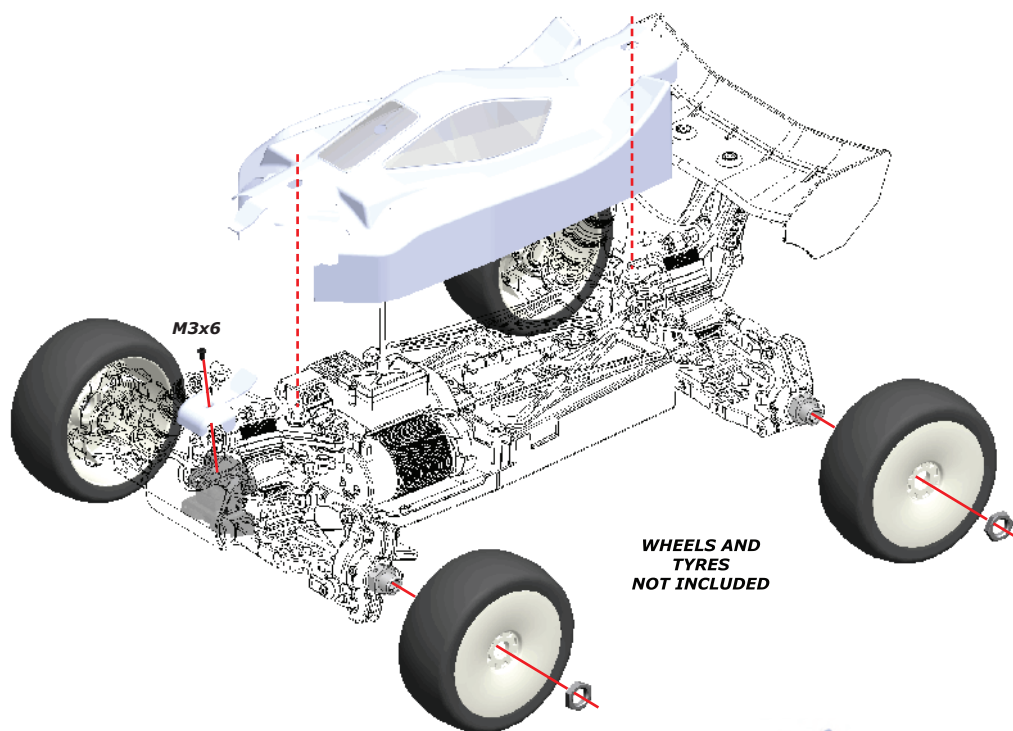
E

3



E

4







## REFERENCE GUIDE AND EXPLODED VIEWS

### Description

600005 Serpent 811 E Cobra Buggy EP 1/8 4wd Sport

### Manual & Decals

600629 Manual 811 E-S  
600329 Decal sheet S811 black/white (2)  
600332 Decal sheet S811 chrome (2)

### Ball Bearings

1312 Ballbearing 5x8 flanged SS (2)  
1321 Ballbearing 6x10x3 SS (2)  
1337 Ballbearing 15x21x4 SS (2)  
1393 Ballbearing 13X19X4 SS (2)  
1394 Ballbearing 8x14x4 flanged SS (2)  
1395 Ballbearing 8x19x6 SS (2)  
1396 Ballbearing 8x16x5 SS (2)  
600466 Bearingset 811-E (26)  
600617 Bearingset 811 V2 small (12)

### Radio Installation / Battery

1606 Antenna rod black (2)  
600131 Balljoint set (19)  
600436 Battery radiobox 811-E  
600437 Steering balljoint + lever 811-E  
600479 Battery foam pad (2)  
600499 Pivotball double straight (3)  
600500 Servo spacers (8)

### Radio Installation / Battery option

600463 Servo lever 23T 811-E alu  
600464 Servo lever 24T 811-E alu  
600465 Servo lever 25T 811-E alu

### Servo Saver & Steering

600105 Servosaver spring  
600109 O-ring servosaver nut (4)  
600128 Servo saver set nylon (3)  
600131 Balljoint set (19)  
600554 Pivot ball steering short 811-S (2)  
600167 Steeringrack mount  
600169 Servosaver adjust nut  
600170 Servosaver shaft outer  
600555 Pivot ball steering long 811-S (4)  
600556 Servo saver post 811-S (2)  
600557 Steeringrack alu 811-S  
600558 Topdeck front 811-S  
600437 Steering balljoint + lever 811-E  
600499 Pivotball double straight (3)  
600500 Servo spacers (8)

### Servo Saver & Steering option

600153 Topdeck front carbon  
600171 Steeringrack option 1  
600172 Steeringrack option 2  
600173 Steeringrack option 3  
600182 Bolt steeringrack (2)  
600278 Servo saver post alu (2)  
600296 Servosaver alu coated (3)  
600330 Servo saver spring hard  
600463 Servo lever 23T 811-E alu  
600464 Servo lever 24T 811-E alu  
600465 Servo lever 25T 811-E alu

### Shock Absorbers

600111 Shock membrane (10)  
600112 O-ring shock bottom (10)  
600113 O-ring shock nut (10)  
600118 Shock part frame nylon (10)  
600145 Shock pistons (4x4)  
600180 Washer shock shaft (4)  
600184 Pivotball 6.75 double (4)  
600194 Shockshaft FR (2)  
600195 Shockshaft RR (2)  
600234 Shock cartridge stepped (4)  
600235 Shock cartridge (4)  
600319 Shock revision set (20)  
600568 Shock mount 811-S (2)  
600570 Shock set FR 811-S (2)  
600571 Shock set RR 811-S (2)  
600572 Shock spacers 811-S (14)  
600573 Shock top 811-S (2)  
600574 Shock top nut 811-S (2)  
600575 Shock body FR 811-S (2)  
600576 Shock body RR 811-S (2)  
600577 Shock shim 811-S (10)

### Shock Absorbers option

600317 Shockset fr (2)  
600318 Shockset rr (2)  
600357 Membrane webbed silicone (4)  
600287 Shock spring support alu (4)  
600306 Shock shaft FR TiN coating (2)  
600307 Shock shaft RR TiN coating (2)

### Shock Springs

600245 Spring set FR pink 4.8lbs (2)  
600246 Spring set FR blue 5.0lbs (2)  
600247 Spring set FR purple 5.2lbs (2)  
600248 Spring set FR green 5.4lbs (2)  
600249 Spring set FR grey 5.6lbs (2)  
600250 Spring set FR yellow 5.8lbs (2)  
600251 Spring set FR white 6.0lbs (2)  
600252 Spring set RR pink 2.8lbs (2)  
600253 Spring set RR blue 3.0lbs (2)  
600254 Spring set RR purple 3.2lbs (2)  
600255 Spring set RR green 3.4lbs (2)  
600256 Spring set RR grey 3.6lbs (2)  
600257 Spring set RR yellow 3.8lbs (2)  
600258 Spring set RR green 4.0lbs (2)  
600259 Spring set FR (7x2)  
600260 Spring set RR (7x2)

### Chassis / Guards

600141 Bumper  
600436 Battery radiobox 811-E  
600442 Chassis brace FR + RR 811-E  
600624 Chassis 811 E-S

### Chassis / Guards Optional

600445 Chassis 811-E  
600461 Chassis brace front alu 811-E  
600462 Chassis brace rear alu 811-E  
600470 Chassis S811E hard anodized  
600489 Transmission brace tube alu

### Front Section

- 600124 Bodymount FR+RR
- 600126 Washer/nut nylon M3 (12+15)
- 600129 Diff case front set
- 600131 Balljoint set (19)
- 600135 Wishbone front L+R
- 600136 C-Hub 10 L+R
- 600167 Steering rack mount
- 600183 Bushing suspension arm (4)
- 600193 Pivotball threaded antirollbar (2)
- 600197 Driveshaft insert (2)
- 600222 Wheelnut 17mm (4)
- 600223 Wheelhexagon (4)
- 600240 Antiroll bar front 2.3mm
- 600365 Spacers 1.25mm + 2.5mm wheelbase (4+2)
- 600481 Steeringblock L+R V2
- 600530 Shocktower front alu 811-S
- 600532 Gear coupler 811-S
- 600626 Driveshaft center FR 811 E-S
- 600535 Driveshaft FR 811-S (2)
- 600537 Wheelaxle FR 811-S (2)
- 600539 Pin steeringblock 811-S (4)
- 600540 Track rod FR 811-S (2)
- 600542 Track rod steering 811-S (2)
- 600543 Hinge pin 811-S (2)
- 600544 Antirollbar nut 811-S (4)
- 600545 Antirollbar bushing 811-S (4)
- 600546 Pivot ball antiroll bar 811-S (2)
- 600548 Suspension bracket FR-FR 811-S
- 600549 Suspension bracket FR-RR 811-S
- 600553 Pivot ball 7.5 double 811-S (4)
- 600554 Pivot ball steering short 811-S (2)
- 600558 Topdeck front 811-S
- 903343 Antirollbar Spacer 3mm (2)

### Front Section Optional

- 600151 Shocktower front carbon
- 600153 Topdeck front carbon
- 600176 Suspension bracket alu FR RR std
- 600177 Suspension bracket alu FR FR std
- 600241 Antiroll bar front 2.5mm
- 600242 Antiroll bar front 2.7mm
- 600263 Washer M3 alu (12)
- 600284 Shocktower FR alu light
- 600297 Lightweight wheel nut 17mm (4)
- 600303 C-hub 10 L+R alu
- 600304 C-hub 12 L+R alu
- 600336 Antiroll bar front 1.8mm
- 600337 Antiroll bar front 2.0mm
- 600497 Steeringblock L+R V2 alu
- 600503 Steeringblock-wheelaxle set 811 V2

### Middle Section

- 600131 Balljoint set (19)
- 600197 Driveshaft insert (2)
- 600381 Gear coupler rubber boot (2)
- 600443 Center diff cover 811-E
- 600446 Motormount set 811-E
- 600447 Motor slider 811-E
- 600532 Gear coupler 811-S
- 600559 Spur gear 46T 811-S
- 600625 Driveshaft center RR 811 E-S
- 600626 Driveshaft center FR 811 E-S

### Middle Section Option

- 600197 Driveshaft insert (2)
- 600198 Spurgear 46T
- 600279 Spurgear 44T
- 600280 Spurgear 48T
- 600444 Driveshaft center FR 811-E
- 600471 Driveshaft center RR 811-E
- 600472 Gear coupler V3
- 600473 Gear coupler sleeve (2)

### Rear Section

- 600124 Bodymount FR+RR
- 600126 Washer/nut nylon M3 (12+15)
- 600130 Diff case rear set
- 600131 Balljoint set (19)
- 600441 Wing mount set
- 600134 Wishbone rear L+R
- 600193 Pivotball threaded antirollbar (2)
- 600222 Wheelnut 17mm (4)
- 600223 Wheelhexagon (4)
- 600237 Antiroll bar rear 2.3mm
- 600365 Spacers 1.25mm + 2.5mm for wheelbase (4+2)
- 600365 Spacers 1.25mm + 2.5mm wheelbase (4+2)
- 600439 Wing white low 811
- 600476 Upright L+R V2
- 600499 Pivotball double straight (3)
- 600502 Upright set V2 811
- 600531 Shocktower rear alu 811-S
- 600536 Driveshaft RR 811-S (2)
- 600538 Wheelaxle RR 811-S (2)
- 600541 Track rod RR 811-S (2)
- 600543 Hinge pin 811-S (2)
- 600544 Antirollbar nut 811-S (4)
- 600545 Antirollbar bushing 811-S (4)
- 600546 Pivot ball antiroll bar 811-S (2)
- 600547 Hinge pin RR outer 811-S (2)
- 600550 Suspension bracket RR-FR 811-S
- 600551 Suspension bracket RR-RR 811-S
- 600552 Transmission brace mount RR 811-S
- 600553 Pivot ball 7.5 double 811-S (4)
- 600625 Driveshaft center RR 811 E-S
- 903343 Antirollbar Spacer 3mm (2)

### Rear Section option

- 600152 Shocktower rear carbon
- 600155 Suspension bracket RR RR 3
- 600156 Suspension bracket RR FR 2
- 600238 Antiroll bar rear 2.5mm
- 600239 Antiroll bar rear 2.7mm
- 600263 Washer M3 alu (12)
- 600265 Suspension bracket RR FR 2.5 - 4.5
- 600266 Suspension bracket RR RR HR 3
- 600267 Suspension bracket RR RR LR 3
- 600285 Shocktower RR alu light
- 600297 Lightweight wheel nut 17mm (4)
- 600300 Post wingmount alu (2)
- 600301 Wing washer alu (2)
- 600338 Antiroll bar rear 1.8mm
- 600339 Antiroll bar rear 2.0mm
- 600434 Antiroll bar rear 2.4mm
- 600496 Upright L+R V2 alu

### Differential

- 110431 Shim 8x11x0.2 (10)
- 600147 Diff gasket (3)
- 600205 Shim 13x16x0.2 (10)
- 600209 Diff pin 10T (2)
- 600210 Diff pin outdrive (2)
- 600212 Shim 14x15.5x0.65 (10)
- 600213 Shim 6x11.75x0.2 (10)
- 600214 Shim 3.5x12x0.2 (10)
- 600215 Shim 8x11x0.2 (10)
- 600354 Shim 14x15.5x 0.65 (4)
- 600356 Shim 14x15.5x0.2 (10)
- 600421 Oring centerdiff V2 (10)
- 600425 Diff housing V2
- 600501 Complete FR/RR 44T diff
- 600495 Diff pinion 13T
- 600480 Diff gear 44T
- 600559 Spur gear 46T 811-S
- 600561 Diff outdrive center 811-S (2)
- 600562 Diff outdrive FR-RR 811-S (2)
- 600627 Diff gear 10T + 20T (4+2) V2



**Differential Optional**

- 600560 Diff gear 43T 811-S
- 600514 Diff pinion 10T 811 V3

**Pinions**

- 600458 Pinion 18T

**Pinions Optional**

- 600452 Pinion 12T
- 600453 Pinion 13T
- 600454 Pinion 14T
- 600455 Pinion 15T
- 600456 Pinion 16T
- 600457 Pinion 17T
- 600459 Pinion 19T
- 600460 Pinion 20T

**Body**

- 1667 Body-clip medium (10)
- 600438 Body + nosecone 811-E
- 600439 Wing white low 811

**Body Optional**

- 600143 Wing white nylon
- 600277 Wing black nylon
- 600440 Wing black low 811

**Fastners**

- 110100 Screw allen countersunk m3x10 (10)
- 110101 Screw allen countersunk m4x8 (10)
- 110102 Screw allen countersunk m4x10 (10)
- 110103 Screw allen countersunk m4x16 (10)
- 110104 Screw allen countersunk M3x8 (10)
- 110105 Screw allen countersunk m4x12 (10)
- 110106 Screw allen flanged roundhead m5x12 (10)
- 110107 Screw allen cilinderhead m3x16 (10)
- 110108 Screw allen roundhead m3x6 (10)
- 110109 Screw allen roundhead m3x10 (10)
- 110110 Screw allen roundhead m3x16 (10)
- 110111 Screw allen roundhead m3x14 (10)
- 110112 Screw allen roundhead m3x12 (10)
- 110113 Screw allen roundhead m4x8 (10)
- 110114 Setscrew allen m3x8 (10)
- 110115 Setscrew allen m3x4 (10)
- 110116 Setscrew allen m3x3 (10)
- 110117 Setscrew allen m3x12 (10)
- 110118 Setscrew allen m4x4 (10)
- 110119 Setscrew allen m4x6 (10)
- 110120 Setscrew allen m4x10 (10)
- 110121 Setscrew allen m5x6 (10)
- 110122 Screw allen countersunk m3x6 (10)
- 110123 Screw philips roundhead 3.5x13 (10)
- 110124 Screw allen countersunk m3x8 (10)
- 110125 Screw allen countersunk m3x20 (10)
- 110126 Screw allen countersunk m2.5x12 (10)
- 110127 Screw allen countersunk m3x12 (10)
- 110128 Screw allen roundhead m3x5 (10)
- 110129 Screw allen cilinderhead m3x10 (10)
- 110130 Screw allen roundhead m2.5x6 (10)
- 110131 Screw allen roundhead m2.5x10 (10)
- 110132 Screw allen countersunk m3x16 (10)
- 110133 Screw philipshead countersunk 2.5x8 wide (10)
- 110134 Screw philipshead countersunk 2.5x10 wide (10)
- 110135 Screw allen countersunk M2.5x10 (10)
- 110136 Screw allen countersunk M2.5x8 (10)
- 110137 Setscrew allen M3x6 (10)
- 110138 Screw allen countersunk M4x14 (10)
- 110139 Screw allen countersunk M3x40 (10)
- 110140 Screw allen roundhead M3x20 (10)
- 110141 Screw allen roundhead M3x22 (10)
- 110142 Screw allen roundhead M3x25 (10)
- 110143 Screw allen roundhead M4x18 (10)
- 110144 Screw allen roundhead M3x18 (10)
- 110145 Screw allen roundhead flanged M3x12 (10)

- 110146 Screw allen roundhead flanged M3x16 (10)
- 110147 Screw ph roundhead widethread 2.5x5 (10)
- 110148 Setscrew allen M5x4 (10)
- 110149 Screw allen countersink M2x10 (10)
- 110150 Screw M6x12 nylon black (2)
- 110151 Screw allen cilinderhead M4x10 (10)
- 110152 Screw allen cilinderhead M3x8 (10)
- 110153 Screw allen roundhead M2.3x6 (10)
- 110154 Setscrew allen M3x10 (10)
- 110155 Setscrew allen M3x5 (10)
- 110156 Screw allen countersunk M2.2x6 (10)
- 110157 Screw allen countersunk M3x5 (10)
- 110158 Screw allen countersunk M3x15 (10)
- 110159 Screw allen countersunk M3x18 (10)
- 110160 Screw allen cilinderhead M2.2x12 (10)
- 110161 Screw allen cilinderhead M2x6 (10)
- 110162 Setscrew allen M3x2.5 (10)
- 110163 Setscrew allen M3x2 (10)
- 110164 Screw allen roundhead M3x4 (10)
- 110165 Screw allen cilinderhead M2x5 (10)
- 110166 Screw allen countersunk M2.5x5 (10)
- 110167 Screw allen roundhead flanged M3x18 (10)
- 110168 Screw allen roundhead flanged M3,5x10 (10)
- 110169 Screw allen roundhead flanged M4x10 (10)
- 110170 Screw allen roundhead flanged M3x28 (10)
- 110171 Screw ph countersunk widethread 2.5x15 (10)
- 110200 Pin 2.5x8 (10)
- 110201 Pin 3x12 (10)
- 110202 Pin 5x5 (10)
- 110203 Pin 3x14 (10)
- 110204 Pin 3x20 (10)
- 110205 Pin 3x22 (10)
- 110206 Pin 2.5x22 (10)
- 110207 Pin 2.5x12 (10)
- 110208 Pin nra 2x9.8 (4)
- 110209 Pin nra 2x18 (4)
- 110210 Pin 3x13 (10)
- 110211 Pin 2.5x13 (10)
- 110212 Pin 2.5x17 (10)
- 110213 Pin 2.5x10 (10)
- 110214 Pin 3x15 (10)
- 110215 Pin 2x12 (10)
- 110216 Pin 2.5x15 (10)
- 110217 Pin 2x9 (10)
- 110218 Pin 3x10 (10)
- 110300 E-clip 2.3 (10)
- 110301 E-clip 3.2 (10)
- 110302 E-clip 4.0 (10)
- 110303 E-clip 5.0 (10)
- 110304 E-clip 7.0 (10)
- 110305 Seger clip 12x1.0 (10)
- 110306 E-clip 6.0 (10)
- 110400 Shim 6.0x10x0.2 (10)
- 110401 Shim 3.2x7x0.5 (10)
- 110402 Nut nylock M3 (10)
- 110403 Nut nylock M4 (10)
- 110404 Shim 6x8x0.3 (10)
- 110405 Nut nylock M4 flanged (10)
- 110406 Nut nylock M2.2 (10)
- 110407 Nut M3 (10)
- 110408 Shim 3x5x0.3 (10)
- 110409 Shim 3x5x1 (10)
- 110410 Shim 3x5x2 (10)
- 110411 Shim 3x5x4 (10)
- 110412 Shim 3.5x8x1 (10)
- 110413 Shim 3.5x12x0.2 (10)
- 110414 Shim 3x6x0.1 (10)
- 110415 Shim 3x6x0.5 (10)
- 110416 Shim 3x6x0.8 (10)
- 110417 Shim 3x6x3 (10)
- 110418 Shim 4x8x0.1 (10)
- 110419 Shim 4x9.5x1 (10)
- 110420 Shim 4x9.5x2(10)
- 110421 Shim 4x9.5x4(10)

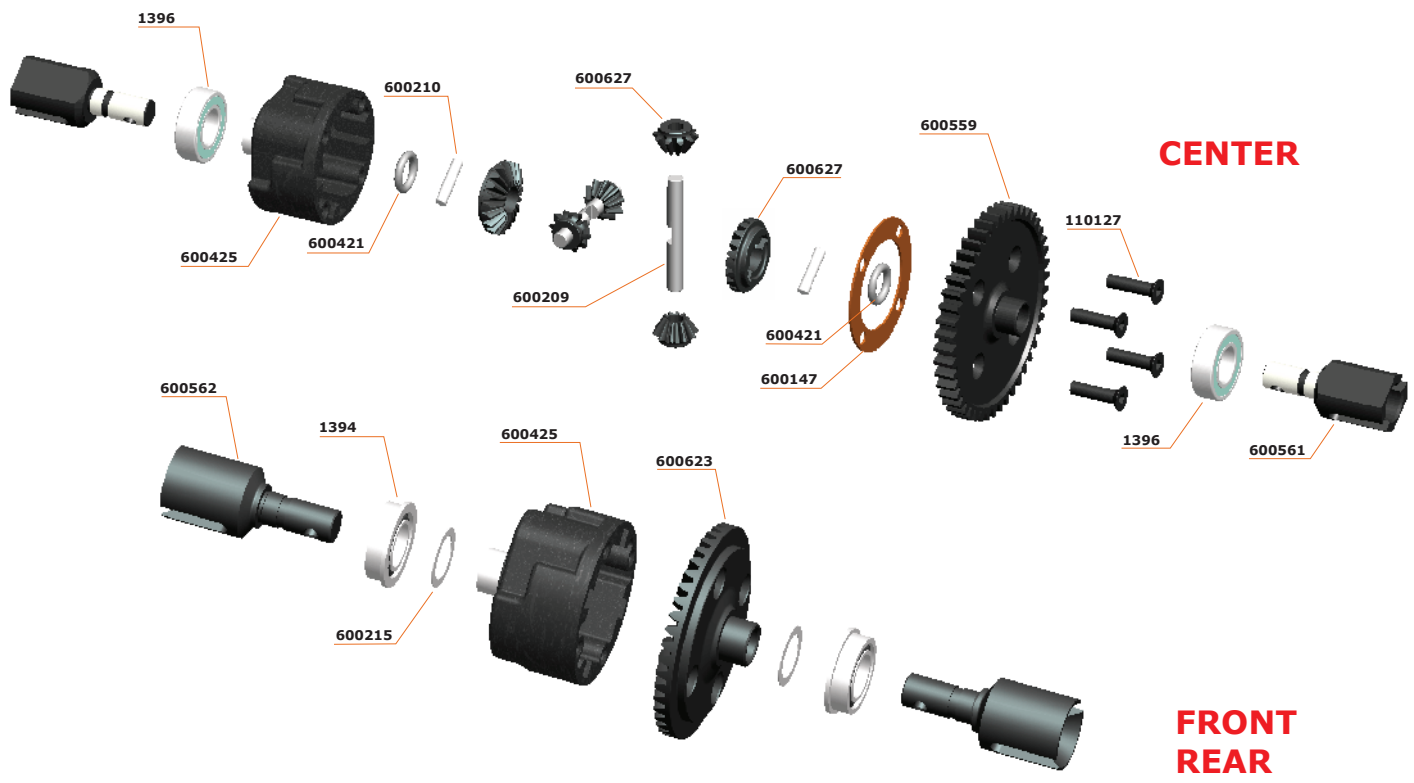
- 110422 Shim 4x10x0.3 (10)
- 110423 Diff gear 43T 811-S
- 110424 Shim 5x8x0.3 (10)
- 110425 Shim 5x10x0.3 (10)
- 110426 Shim 5x10x0.5 (10)
- 110427 Shim 5x15x0.3 (10)
- 110428 Shim 6.5x8x0.25 (10)
- 110429 Shim 6x11.75x0.2 (10)
- 110430 Shim 6x12x0.5 (10)
- 110431 Shim 8x11x0.1 (10)
- 110432 Shim 8x11x0.2 (10)
- 110433 Shim 12x15x0.25 (10)
- 110434 Shim 12x18x0.3 (10)
- 110435 Shim 13x16x0.2 (10)
- 110436 Shim 3x5x3 (10)
- 110437 Nut M2.5 (10)
- 110438 Shim 2,5x6x0,5 (10)
- 110439 Shim 3x7,5x1 (10)
- 110440 Shim 2,5x5x0,4 (10)
- 110441 Nut nylock M3 flanged (10)
- 110442 Shim 4x8x0.6 (10)

**Merchandising**

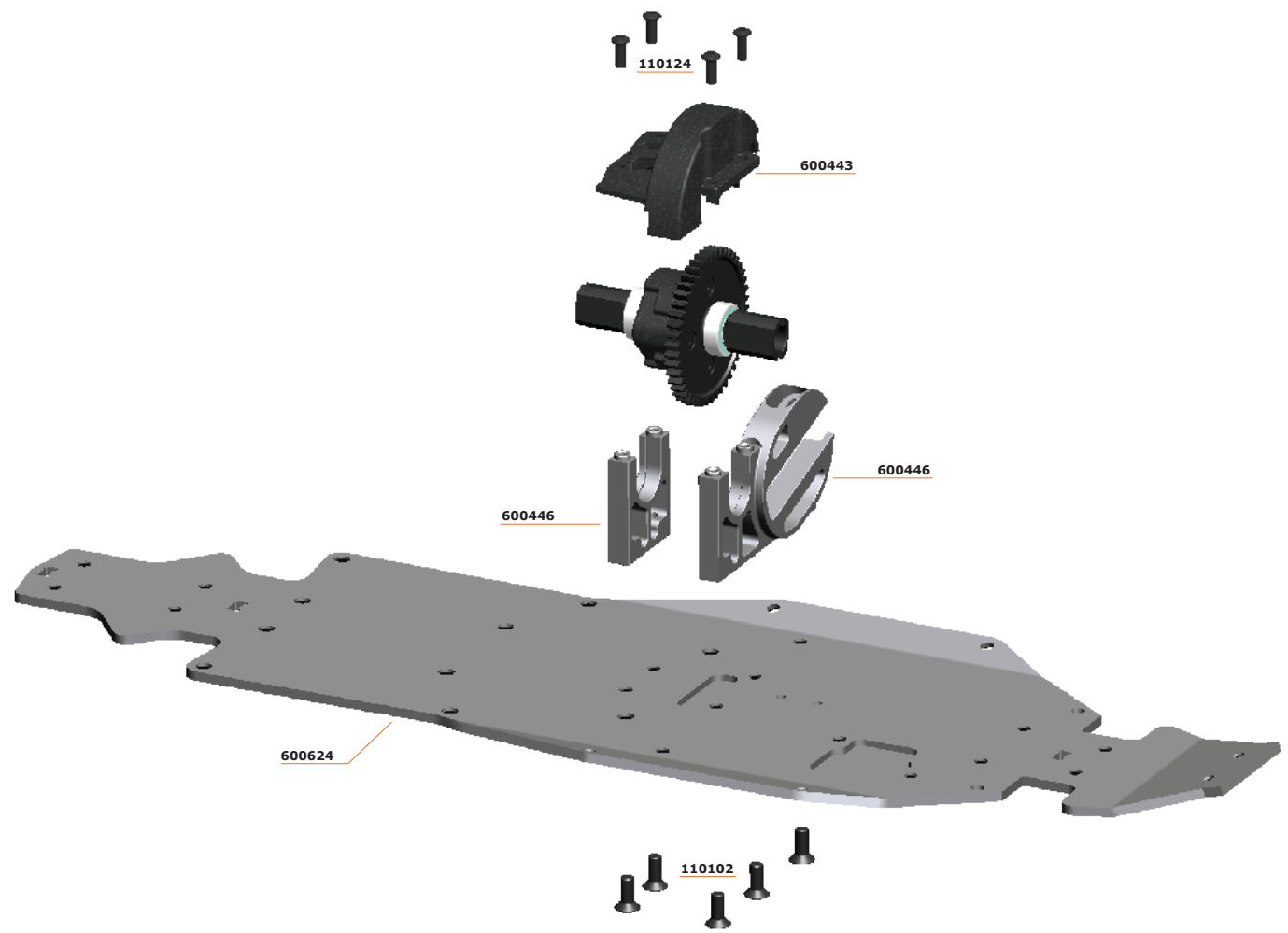
- 1869 Pit-towel Serpent orange 140x60cm
- 1886 Decal Serpent black/white 1/10 (2)
- 1887 Decal Serpent black/white 1/8 (2)
- 1888 Decal Serpent chrome 1/10 (2)
- 1889 Decal Serpent chrome 1/8 (2)
- 1890 Serpent large promo decal 40x25
- 1891 Serpent medium promo decal 20x12,5 (2)
- 1892 Serpent windowshop decal 20x12,5 (2 sided)
- 1980 Kit-bag serpent large black-orange
- 1998 Cap Serpent black-orange
- 190110 Sweater hooded serpent black (s)
- 190111 Sweater hooded serpent black (m)
- 190112 Sweater hooded serpent black (l)
- 190113 Sweater hooded serpent black (xl)
- 190114 Sweater hooded serpent black (xxl)
- 190137 T-shirt Serpent offroad orange (S)
- 190138 T-shirt Serpent offroad orange (M)
- 190139 T-shirt Serpent offroad orange (L)
- 190140 T-shirt Serpent offroad orange (XL)
- 190141 T-shirt Serpent offroad orange (XXL)
- 190142 T-shirt Serpent offroad black (S)
- 190143 T-shirt Serpent offroad black (M)
- 190144 T-shirt Serpent offroad black (L)
- 190145 T-shirt Serpent offroad black (XL)
- 190146 T-shirt Serpent offroad black (XXL)
- 190150 Dress shirt Serpent black-orange (S)
- 190151 Dress shirt Serpent black-orange (M)
- 190152 Dress shirt Serpent black-orange (L)
- 190153 Dress shirt Serpent black-orange (XL)
- 190154 Dress shirt Serpent black-orange (XXL)
- 190155 Dress shirt Serpent black-orange (XXXL)
- 190156 Polo shirt Serpent black-orange (S)
- 190157 Polo shirt Serpent black-orange (M)
- 190158 Polo shirt Serpent black-orange (L)
- 190159 Polo shirt Serpent black-orange (XL)
- 190160 Polo shirt Serpent black-orange (XXL)
- 190161 Polo shirt Serpent black-orange (XXXL)
- 190162 T-shirt Serpent offroad white (S)
- 190163 T-shirt Serpent offroad white (M)
- 190164 T-shirt Serpent offroad white (L)
- 190165 T-shirt Serpent offroad white (XL)
- 190166 T-shirt Serpent offroad white (XXL)



DIFFERENTIAL ASSEMBLIES



TRANSMISSION CENTER



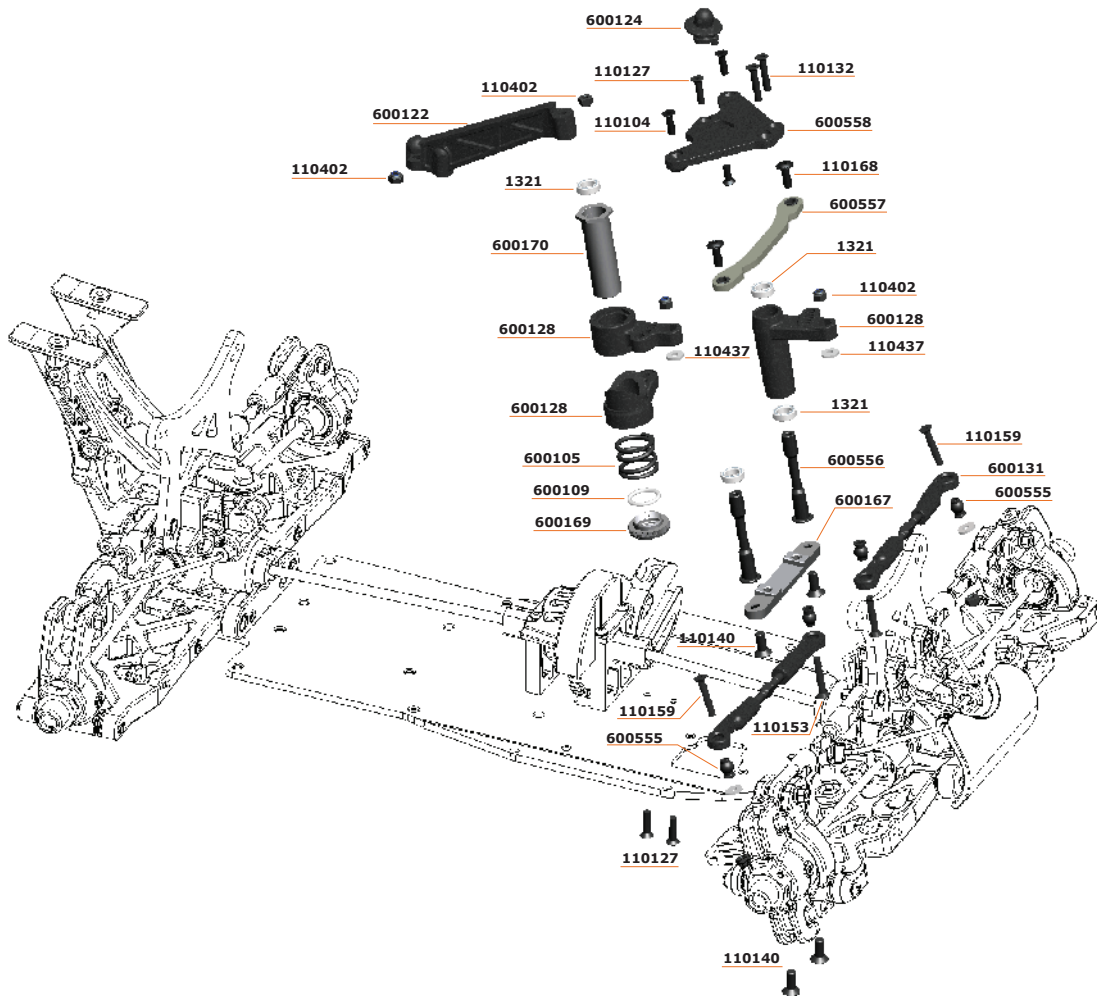




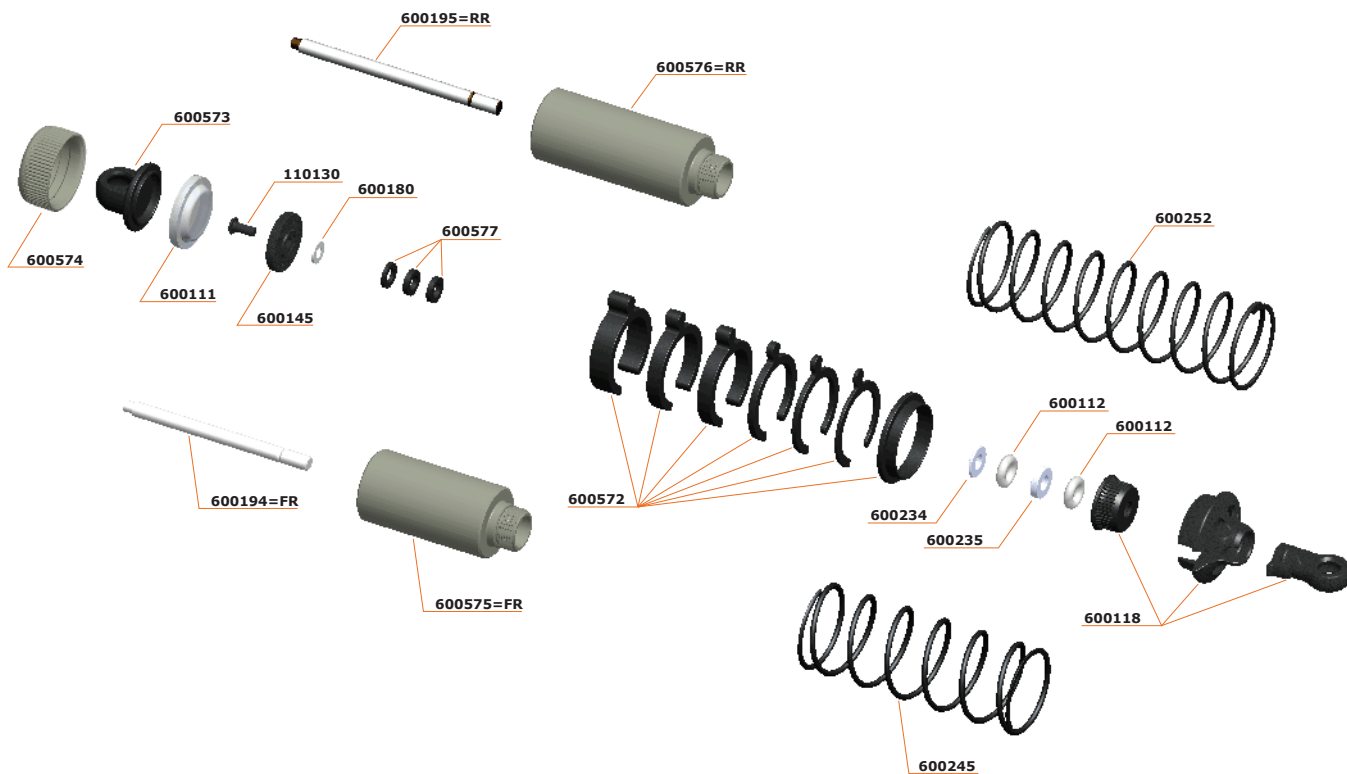




STEERING ASSEMBLY



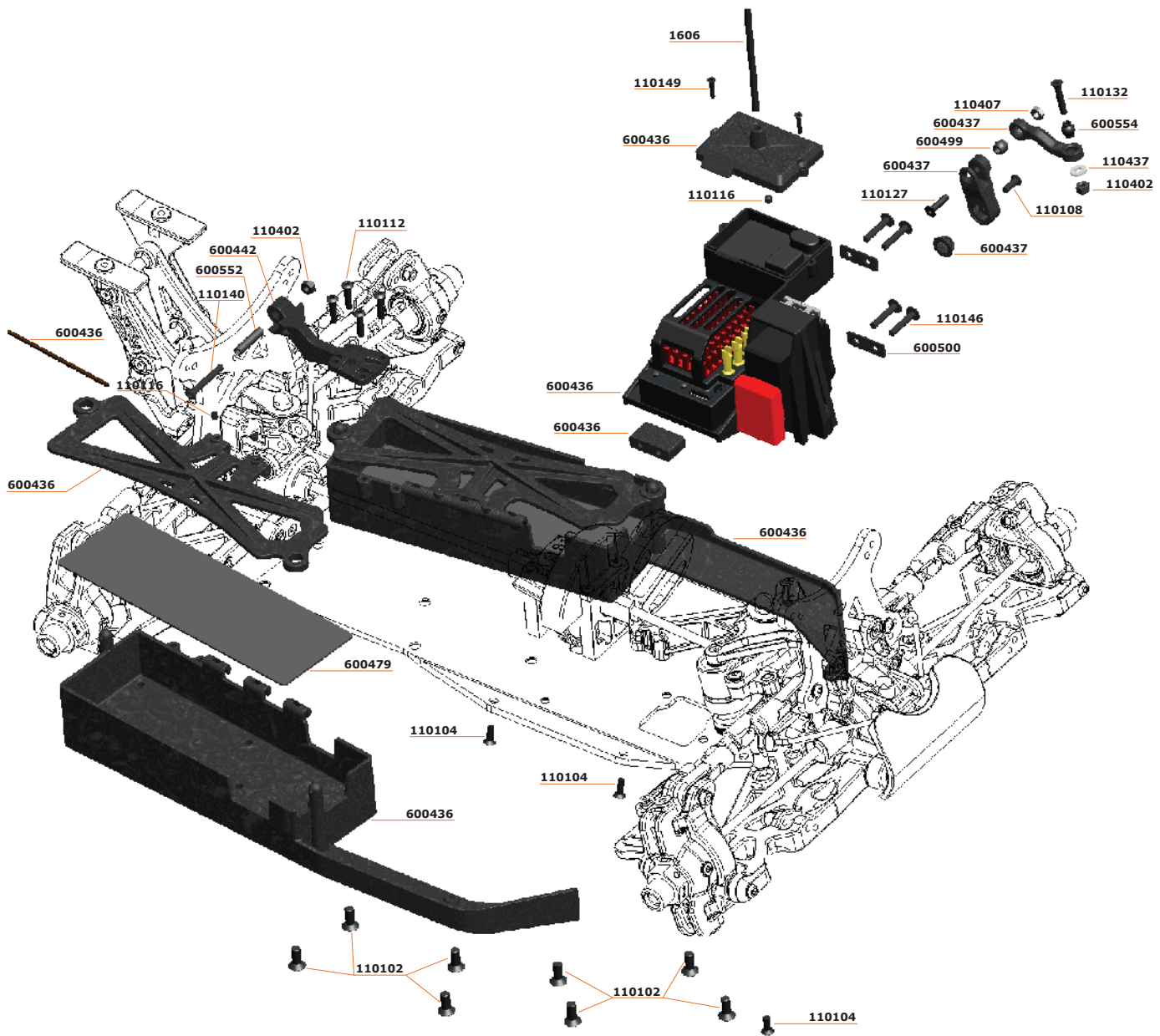
SHOCK ASSEMBLY



600570: SCHOCK SET FR  
600571: SCHOCK SET RR

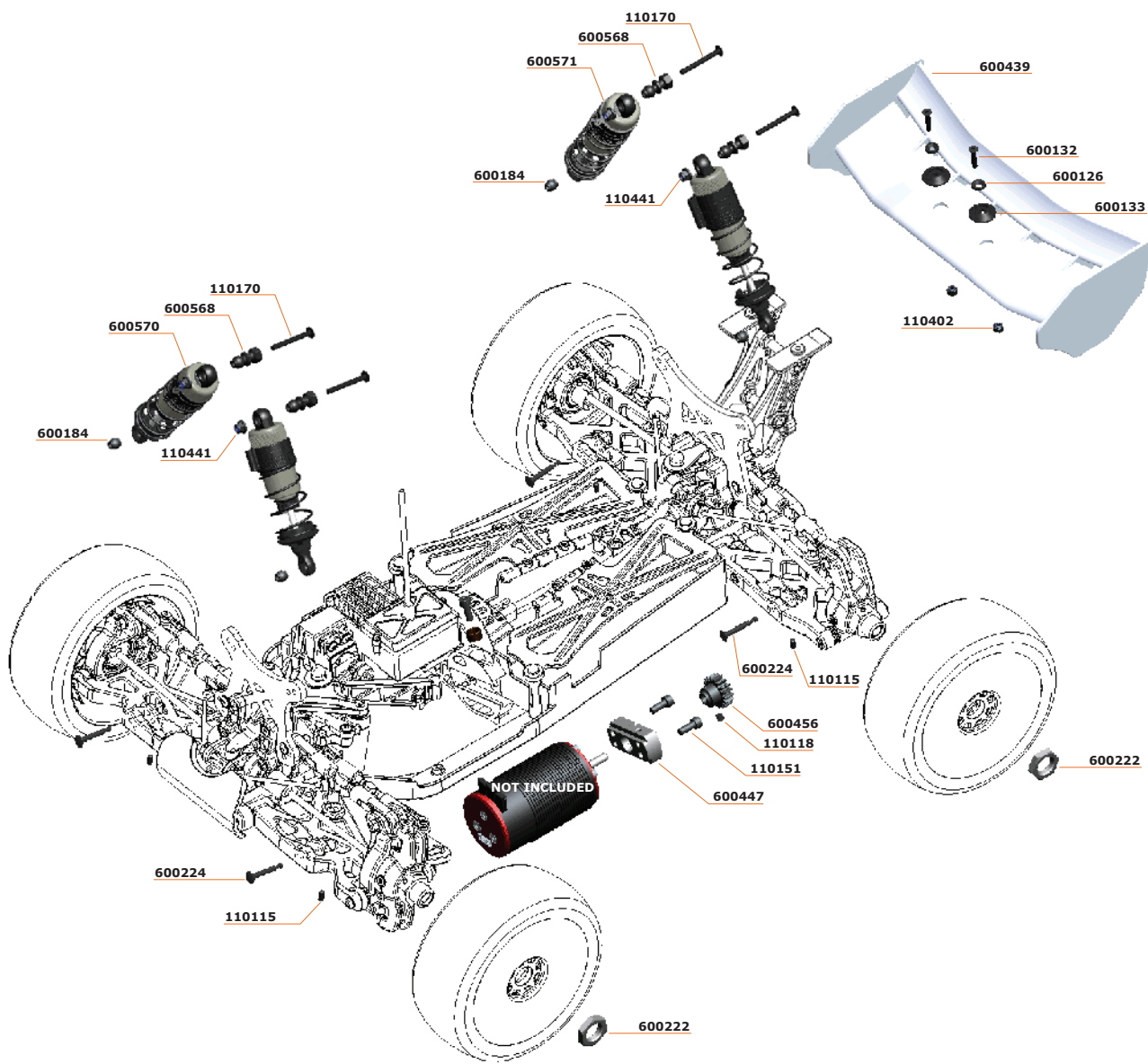


# RADIO ASSEMBLY





FINAL ASSEMBLY







**COBBLE**  
811  
**Sport**



[www.serpent.com](http://www.serpent.com)  
[info@serpent.com](mailto:info@serpent.com)

