

XRAY XTR3E

1/8 LUXURY ELECTRIC OFF-ROAD BUGGY

INSTRUCTION MANUAL



MADE IN
EUROPE

A graphic of the European Union flag, featuring twelve yellow stars arranged in a circle on a blue background.

21
IN
PIVOT BALL
& C-HUB
SUSPENSION INCLUDED

INTRODUCTION

The XB8E is a high-competition, high-quality, 1/8 electric off-road car intended for persons aged 16 years and older with previous experience building and operating RC model racing cars. This is not a toy; it is a precision racing model. This model racing car is not intended for use by beginners, inexperienced customers, or by children without direct supervision of a responsible, knowledgeable adult. If you do not fulfill these requirements, please return the kit in unused and unassembled form back to the shop where you have purchased it.

Before building and operating your XB8E, YOU MUST read through all of the operating instructions and instruction manual and fully understand them to get the maximum enjoyment and prevent unnecessary damage. Read carefully

CUSTOMER SUPPORT

We have made every effort to make these instructions as easy to understand as possible. However, if you have any difficulties, problems, or questions, please do not hesitate to contact the XRAY support team at info@teamxray.com. Also, please visit our Web site at www.teamxray.com to find the latest updates, set-up information, option parts, and many other goodies. We pride ourselves on taking excellent care of our customers.

You can join thousands of XRAY fans and enthusiasts in our online community at: www.teamxray.com

and fully understand the instructions before beginning assembly.

Make sure you review this entire manual, download and use set-up book from the web, and examine all details carefully. If for some reason you decide the XB8E is not what you wanted or expected, do not continue any further. Your hobby dealer cannot accept your XB8E kit for return or exchange after it has been partially or fully assembled.

Contents of the box may differ from pictures. In line with our policy of continuous product development, the exact specifications of the kit may vary without prior notice.

XRAY Europe

K Výstavisku 6992
91101 Trenčín
Slovakia, EUROPE
Phone: +421-32-7401100
Fax: +421-32-7401109
Email: info@teamxray.com

XRAY USA

RC America, 2030 Century Center Blvd #15
Irving, TX 75062
USA
Phone: (214) 744-2400
Fax: (214) 744-2401
Email: xray@rcamerica.com

FAILURE TO FOLLOW THESE INSTRUCTIONS WILL BE CONSIDERED AS ABUSE AND/OR NEGLIGENCE

SAFETY PRECAUTIONS

Contains:

LEAD (CAS 7439-92-1) ANTIMONY (CAS 7440-36-0)

WARNING: This product contains a chemical known to the state of California to cause cancer and birth defects or other reproductive harm.

CAUTION: CANCER HAZARD

Contains lead, a listed carcinogen. Lead is harmful if ingested. Wash thoroughly after using. DO NOT use product while eating, drinking or using tobacco products. May cause chronic effects to gastrointestinal tract, CNS, kidneys, and blood. MAY CAUSE BIRTH DEFECTS.

When building, using and/or operating this model always wear protective glasses and gloves.

Take appropriate safety precautions prior to operating this model. You are responsible for this model's assembly and safe operation! Please read the instruction manual before building and operating this model and follow all safety precautions. Always keep the instruction manual at hand for quick

reference, even after completing the assembly. Use only genuine and original authentic XRAY parts for maximum performance. Using any third party parts on this model will void warranty immediately.

Improper operation may cause personal and/or property damage. XRAY and its distributors have no control over damage resulting from shipping, improper construction, or improper usage. XRAY assumes and accepts no responsibility for personal and/or property damages resulting from the use of improper building materials, equipment and operations. By purchasing any item produced by XRAY, the buyer expressly warrants that he/she is in compliance with all applicable federal, state and local laws and regulation regarding the purchase, ownership and use of the item. The buyer expressly agrees to indemnify and hold harmless XRAY for all claims resulting directly or indirectly from the purchase, ownership or use of the product. By the act of assembling or operating this product, the user accepts all resulting liability. If the buyer is not prepared to accept this liability, then he/she should return this kit in new, unassembled, and unused condition to the place of purchase.

IMPORTANT NOTES - GENERAL

- This product is not suitable for children under 16 years of age without the direct supervision of a responsible and knowledgeable adult.
 - Carefully read all manufacturers warnings and cautions for any parts used in the construction and use of your model.
 - Assemble this kit only in places away from the reach of very small children.
 - First-time builders and users should seek advice from people who have building experience in order to assemble the model correctly and to allow the model to reach its performance potential.
 - Exercise care when using tools and sharp instruments.
 - Take care when building, as some parts may have sharp edges.
 - Keep small parts out of reach of small children. Children must not be allowed to put any parts in their mouth, or pull vinyl bag over their head.
 - Read and follow instructions supplied with paints and/or cement, if used (not included in kit).
 - Immediately after using your model, do NOT touch equipment on the model such as the motor and speed controller, because they generate high temperatures. You may seriously burn yourself seriously touching them.
 - Follow the operating instructions for the radio equipment at all times.
 - Do not put fingers or any objects inside rotating and moving parts, as this may cause damage or serious injury as your finger, hair, clothes, etc. may get caught.
 - Be sure that your operating frequency is clear before turning on or running your model, and never share the same frequency with somebody else at the same time. Ensure that others are aware of the operating frequency you are using and when you are using it.
 - Use a transmitter designed for ground use with RC cars. Make sure that no one else is using the same frequency as yours in your operating area. Using the same frequency at the same time, whether it is driving, flying or sailing, can cause loss of control of the RC model, resulting in a serious accident.
 - Always turn on your transmitter before you turn on the receiver in the car. Always turn off the receiver before turning your transmitter off.
 - Keep the wheels of the model off the ground when checking the operation of the radio equipment.
 - Disconnect the battery pack before storing your model.
 - When learning to operate your model, go to an area that has no obstacles that can damage your model if your model suffers a collision.
 - Remove any sand, mud, dirt, grass or water before putting your model away.
 - If the model behaves strangely, immediately stop the model, check and clear the problem.
 - To prevent any serious personal injury and/or damage to property, be responsible when operating all remote controlled models.
 - The model car is not intended for use on public places and roads or areas where its operation can conflict with or disrupt pedestrian or vehicular traffic.
 - Because the model car is controlled by radio, it is subject to radio interference from many sources that are beyond your control. Since radio interference can cause momentary loss of control, always allow a safety margin in all directions around the model in order to prevent collisions.
 - Do not use your model:
 - Near real cars, animals, or people that are unaware that an RC car is being driven.
 - In places where children and people gather
 - In residential districts and parks
 - In limited indoor spaces
 - In wet conditions
 - In the street
 - In areas where loud noises can disturb others, such as hospitals and residential areas.
 - At night or anytime your line of sight to the model may be obstructed or impaired in any way.
- To prevent any serious personal injury and/or damage to property, please be responsible when operating all remote controlled models.

IMPORTANT NOTES - ELECTRICAL

- Insulate any exposed electrical wiring (using heat shrink tubing or electrical tape) to prevent dangerous short circuits. Take maximum care in wiring, connecting and insulating cables. Make sure cables are always connected securely. Check connectors for if they become loose. And if so, reconnect them securely. Never use R/C models with damaged wires. A damaged wire is extremely dangerous, and can cause short-circuits resulting in fire. Please have wires repaired at your local hobby shop.
- Low battery power will result in loss of control. Loss of control can occur due to a weak battery in either the transmitter or the receiver. Weak running battery may also result in an out of control car if your car's receiver power is supplied by the running battery. Stop operation immediately if the car starts to slow down.
- When not using RC model, always disconnect and remove battery.
- Do not disassemble battery or cut battery cables. If the running battery short-circuits, approximately 300W of electricity can be discharged, leading to fire or burns. Never disassemble battery or cut battery cables.
- Use a recommended charger for the receiver and transmitter batteries and follow the instructions correctly. Over-charging, incorrect charging, or using inferior chargers can cause the batteries to become dangerously hot. Recharge battery when necessary. Continual recharging may damage battery and, in the worst case, could build up heat leading to fire. If battery becomes extremely hot during recharging, please ask your local hobby shop for check and/or repair and/or replacement.
- Regularly check the charger for potential hazards such as damage to the cable, plug, casing or other defects. Ensure that any damage is rectified before using the charger again. Modifying the charger may cause short-circuit or overcharging leading to a serious accident. Therefore do not modify the charger.
- Always unplug charger when recharging is finished.
- Do not recharge battery while battery is still warm. After use, battery retains heat. Wait until it cools down before charging.
- Do not allow any metal part to short circuit the receiver batteries or other electrical/electronic device on the model.
- Immediately stop running if your RC model gets wet as may cause short circuit.
- Please dispose of batteries responsibly. Never put batteries into fire.

R/C & BUILDING TIPS

- Make sure all fasteners are properly tightened. Check them periodically.
- Make sure that chassis screws do not protrude from the chassis.
- For the best performance, it is very important that great care is taken to ensure the free movement of all parts.
- Clean all ball-bearings so they move very easily and freely.
- Tap or pre-thread the plastic parts when threading screws.
- Self-tapping screws cut threads into the parts when being tightened. Do not use excessive force when tightening the self-tapping screws because you may strip out the thread in the plastic. We recommended you stop tightening a screw when you feel some resistance.
- Ask your local hobby shop for any advice.

WARRANTY

XRAY guarantees this model kit to be free from defects in both material and workmanship within 30 days of purchase. The total monetary value under warranty will in no case exceed the cost of the original kit purchased. This warranty does not cover any components damaged by use or modification or as a result of wear. Part or parts missing from this kit must be reported within 30 days of purchase. No part or parts will be sent under warranty without proof of purchase. Should you find a defective or missing part, contact the local distributor. Service and customer support will be provided through local hobby store where you have purchased the kit, therefore make sure to purchase any XRAY products at your local hobby store. This model racing car is considered to be a high-performance racing vehicle. As such this vehicle will be used in an extreme range of conditions and situations, all which may cause premature wear or failure of any component. XRAY has no control over usage of vehicles once they leave the dealer, therefore XRAY can only offer warranty against all manufacturer's defects in materials, workmanship, and assembly at point of sale and before use. No warranties are expressed or implied that cover damage caused by what is considered normal use, or cover or imply how long any model cars' components or electronic components will last before requiring replacement.

Due to the high performance level of this model car you will need to periodically maintain and replace consumable components. Any and all warranty coverage will not cover replacement of any part or component damaged by neglect, abuse, or improper or unreasonable use. This includes

QUALITY CERTIFICATE

XRAY MODEL RACING CARS uses only the highest quality materials, the best compounds for molded parts and the most sophisticated manufacturing processes of TQM (Total Quality Management). We guarantee that all parts of a newly-purchased kit are manufactured with the highest regard to quality. However, due to the many factors inherent in model racecar competition, we

cannot guarantee any parts once you start racing the car. Products which have been worn out, abused, neglected or improperly operated will not be covered under warranty. We wish you enjoyment of this high-quality and high-performance RC car and wish you best success on the track!

but is not limited to damage from crashing, chemical and/or water damage, excessive moisture, improper or no maintenance, or user modifications which compromise the integrity of components. Warranty will not cover components that are considered consumable on RC vehicles. XRAY does not pay nor refund shipping on any component sent to XRAY or its distributors for warranty. XRAY reserves the right to make the final determination of the warranty status of any component or part.

Limitations of Liability

XRAY makes no other warranties expressed or implied. XRAY shall not be liable for any loss, injury or damages, whether direct, indirect, special, incidental, or consequential, arising from the use, misuse, or abuse of this product and/or any product or accessory required to operate this product. In no case shall XRAY's liability exceed the monetary value of this product.

Take adequate safety precautions prior to operating this model. You are responsible for this model's assembly and safe operation.

Disregard of the any of the above cautions may lead to accidents, personal injury, or property damage. XRAY MODEL RACING CARS assumes no responsibility for any injury, damage, or misuse of this product during assembly or operation, nor any additions that may arise from the use of this product.
All rights reserved.

In line with our policy of continuous product development, the exact specifications of the kit may vary. In the unlikely event of any problems with your new kit, you should contact the model shop where you purchased it, quoting the part number.

We do reserve all rights to change any specification without prior notice. All rights reserved.

SYMBOLS USED

Part bags used 	Assemble in the specified order 	Assemble left and right sides the same way 	Assemble front and rear the same way 	Pay attention here 	Assemble as many times as specified (here twice) 	Apply instant glue 	Apply oil 	Apply grease 	Apply threadlock
Cut off shaded portion 	Use special tool 	Cut off remaining material 	Time 	Use cleaner or WD-40® 	Tighten screw gently 	Ensure smooth non-binding movement 	Use pliers 	Follow tip here 	Follow Set-up Book

TOOLS REQUIRED

<ul style="list-style-type: none"> Phillips 5.0mm (HUDY TOOLS) Allen 1.5/2.0/2.5/3.0mm (HUDY TOOLS) Ball Allen 2.5mm (HUDY TOOLS) Arm Reamer 3mm/4mm (HUDY TOOLS) Socket 5.0/5.5mm (HUDY TOOLS) 	Professional Multi Tool (HUDY #183011) 	17mm Wheel Nut Tool (HUDY #107570) 	Turnbuckle Wrench (HUDY #181040 4mm) (HUDY #181050 5mm) 	Special Tool for all turnbuckles, nuts (HUDY #181090) 	Cross Wrench (HUDY #107581)
Side Cutters (HUDY #189010) 	Pocket Hobby Knife (HUDY #188981) 	Needle Nose Pliers (HUDY #189020) 	Snap Ring Pliers (HUDY #189040) 	Scissors (HUDY #188990) 	Body Reamer (HUDY #107600) or (HUDY #107601)

TOOLS & EQUIPMENT INCLUDED

Silicone Shock Oil (HUDY #106336 350cSt 100ml) (HUDY #106346 450cSt 100ml) 	Silicone Diff Oil (HUDY #106431 3000cSt 100ml) (HUDY #106451 5000cSt 100ml) (HUDY #106471 7000cSt 100ml) 	Graphite Grease (HUDY #106210)
--	--	------------------------------------

NOT INCLUDED

SET-UP BOOK

To ensure that you always have access to the most up-to-date version of the XRAY Set-up Book, XRAY will now be offering only the digital online version at our website at www.teamxray.com. By offering this online version instead of including a hardcopy printed version in kits, you will always be assured of having the most current updated version.

EQUIPMENT REQUIRED

Transmitter 	Electric Motor 	Pinion Gear 	Speed Controller 	LiPo Battery 	Battery Charger
Receiver 	Steering Servo 	Threadlock 	CA Glue 	Double-sided Tape (HUDY #107875) 	Tires & Wheels
					Lexan™ Paint

TIP FRONT & REAR DIFF GEAR MESH ADJUSTMENT

If there is too much or too little diff side play, this may create non-optimal gear mesh between the diff gear and the pinion drive gear. This is easily resolved by inserting 1 or 2 of the included thin shims behind a diff outdrive ball-bearing, depending on how much play there is.

THE LOCATION OF THE SHIM(S) DEPENDS ON WHETHER YOU ARE TRYING TO CLOSE OR OPEN THE GAP:

TO CLOSE A WIDE GAP

insert shim(s) here

TO CLOSE A WIDE GAP

insert shim(s) here

TO OPEN A NARROW GAP

insert shim(s) here

TO OPEN A NARROW GAP

insert shim(s) here

To CLOSE a wide gap:
add 1 or 2 shims against diff spur gear

To OPEN a narrow gap:
add 1 or 2 shims on the other side of the diff, away from spur gear

WASHER
#962131 S 13 x 16 x 0.1 mm (10)
#962130 S 13 x 16 x 0.2 mm (10)

SUSPENSION & DRIVETRAIN MAINTENANCE

- Check suspension for free movement during building and operation, and especially after running and if you have crashed the car. If the suspension does not move freely, use the appropriate HUDY Arm Reamer to clean and resize the holes of the suspension arms.
- Regularly check the drive shaft pins (both side and center) and if they show any wear must be immediately replaced by new pins. If the car is run with worn pins, excessive wear on the diff outdrives will result. The 106000 HUDY Drive Pin Replacement Tool (for 3mm Pins) is a compact, rugged multi-use tool set for replacing 3mm drive pins in drive shafts. Use the HUDY replacement drive shaft pins 3x14 (#106050).
- Regularly inspect and replace the connecting pins which connect the center drive shafts with the pinion gear, and also the pins that connect the wheel drive shafts with wheel axles. Use HUDY Graphite Grease to lubricate the drive shaft connecting joints and the diff gears.
- Pivot balls and ball-joints will naturally wear for some time and will generate play. If there is too much play the pivot balls and ball joints need to be replaced.
- If the car is run in wet conditions, apply WD-40® on all drivetrain parts before the run. After the run, clean and dry the parts again.

HUDY SPRING STEEL™

The HUDY Spring Steel™ used in the car is the strongest and most durable steel material on the RC market. While items made from HUDY Spring Steel™ are still subject to wear, the lifespan is considerably longer than any other material. As parts made from HUDY Spring Steel™ wear, the brown color will after some time "go down" but it will not affect the strength of the material. The brown color is only a surface treatment and if the brown color will wear the durability of the part will be still strong.

TIP DRIVE SHAFT PIN SERVICING

To enjoy the longest possible lifespan of the drive shafts and diff outdrives, it is extremely important to properly service the drive shaft pins. Inspect the pins after every 3 hours of runtime. If the pins show any wear, replace them with new pins.

1 Do not use drive shafts when the pins are worn.

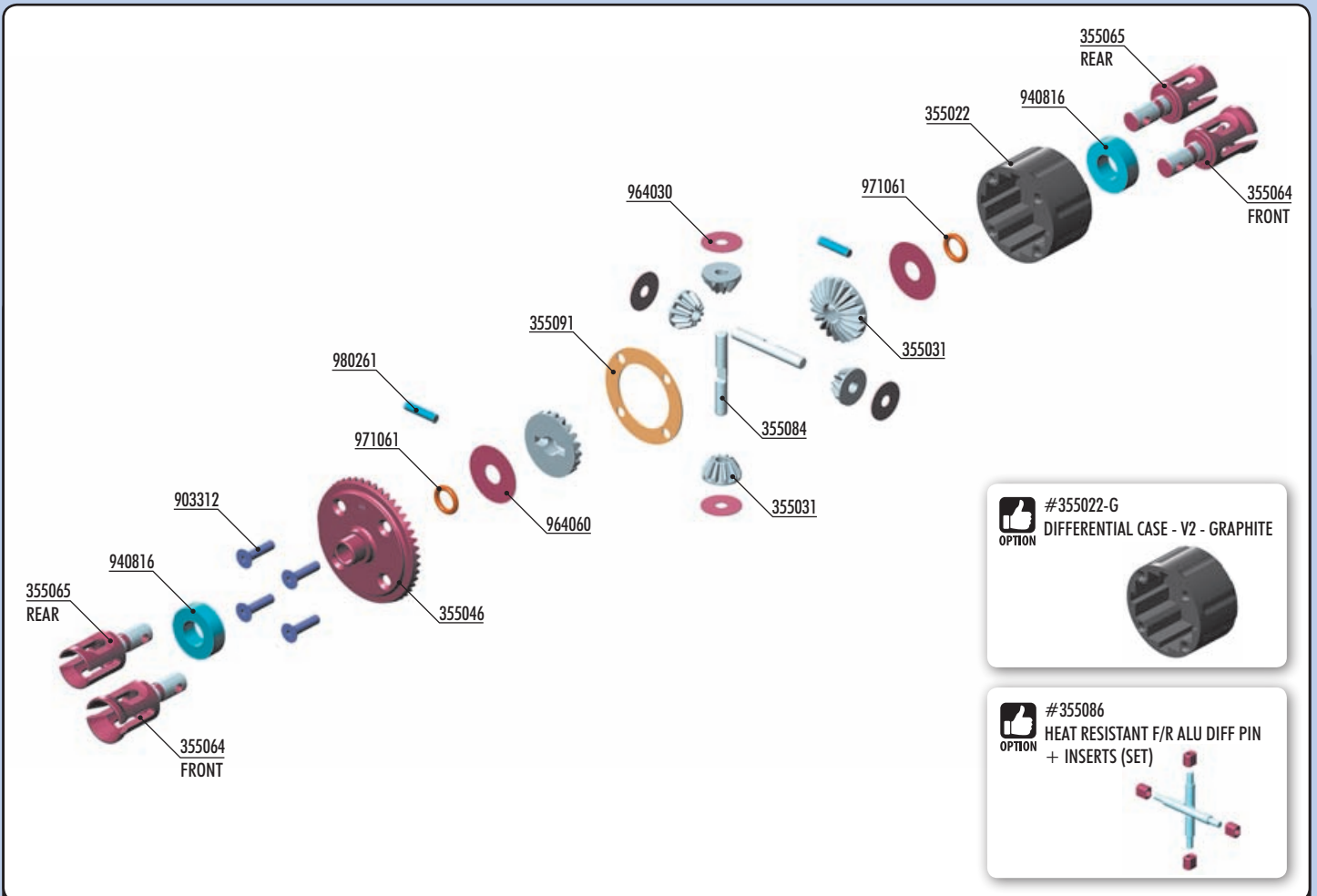
2 Press out the worn pins.

3 Press in new pins and regularly inspect for wear.

For easy drive pin replacements use #106000 HUDY Drive Pin Replacement Tool.

To replace the worn pins use only premium HUDY drive pins #106050.

1. FRONT & REAR DIFFERENTIALS



BAGS

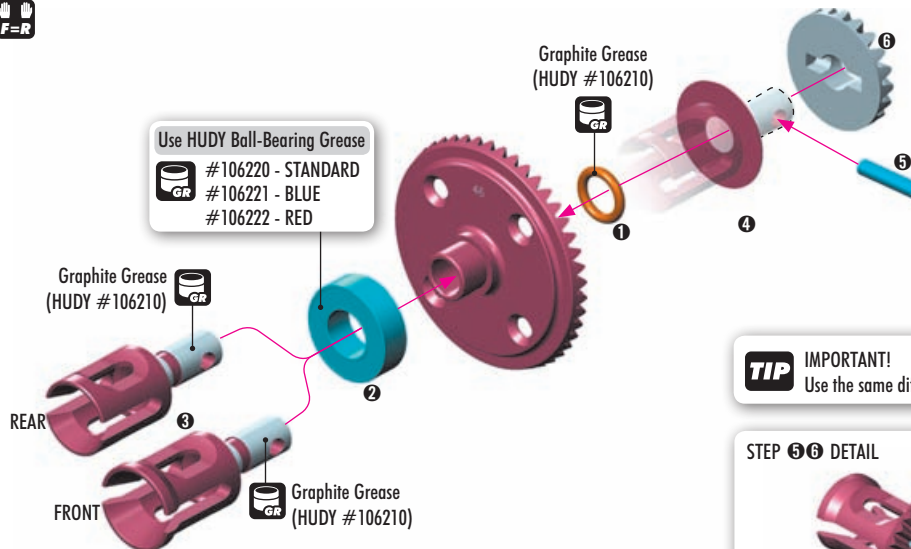
01.1

2x

355004	XB8 FRONT DIFFERENTIAL 46T - V2 - SET	355091	F/R DIFF GASKET (4)
355005	XB8 REAR DIFFERENTIAL 46T - V2 - SET	903312	HEX SCREW SFH M3x12 (10)
355022	DIFFERENTIAL CASE - V2	940816	BALL-BEARING 8x16x5 RUBBER SEALED - GREASE (2)
355031	STEEL DIFF BEVEL & SATELLITE GEARS - V2 (2+4)	964030	WASHER S 3.5x12x0.2 (10)
355046	FRONT/REAR DIFF LARGE BEVEL GEAR 46T - HUDY STEEL	964060	WASHER S 6x18x0.2 (10)
355064	FRONT DIFF OUTDRIVE ADAPTER LONG - V2 - HUDY SPRING STEEL™ (2)	971061	SILICONE O-RING 6x1.55 (10)
355065	REAR DIFF OUTDRIVE ADAPTER - V2 - HUDY SPRING STEEL™ (2)	980261	PIN 2.5x11.5 (10)
355084	F/R DIFF PIN (2)		

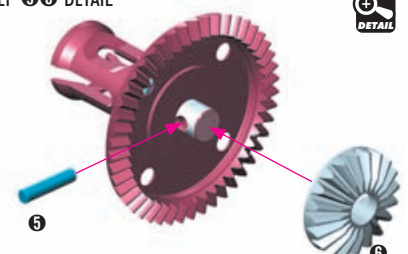


2x F=R



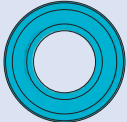
TIP IMPORTANT!
Use the same diff outdrives on both ends of a diff.

STEP 5 6 DETAIL



SET-UP BOOK
DIFFERENTIAL GEARS

1. FRONT & REAR DIFFERENTIALS



940816
BB 8x16x5



964060
S 6x18x0.2



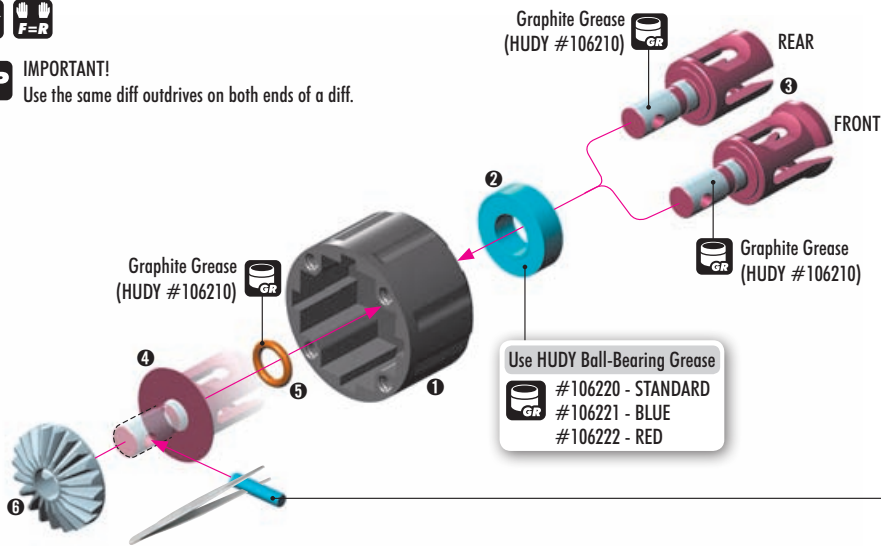
971061
O 6x1.55



980261
P 2.5x11.5

2x F=R

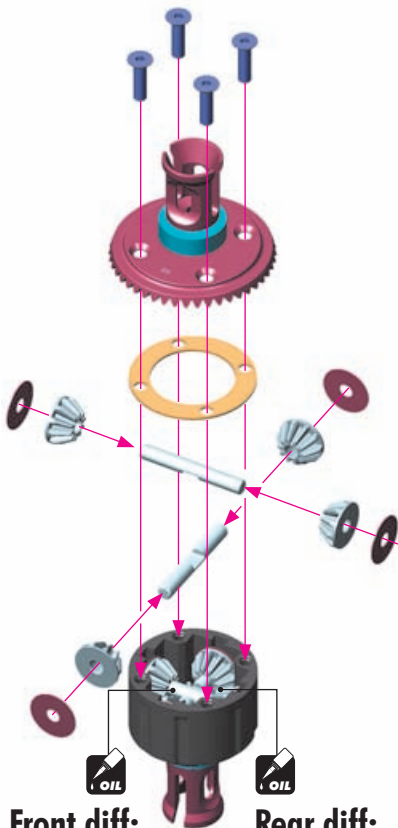
TIP IMPORTANT!
Use the same diff outrides on both ends of a diff.



903312
SFH M3x12



964030
S 3.5x12x0.2



Front diff:

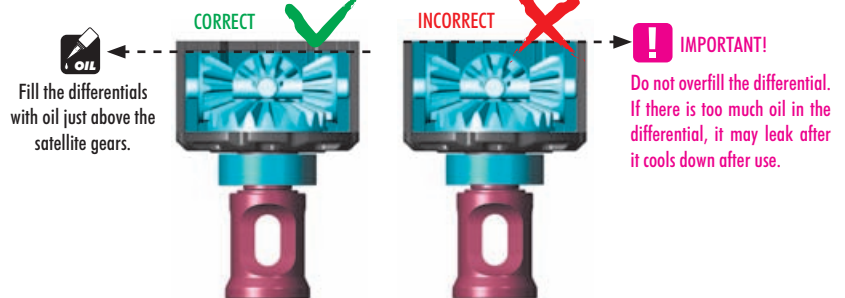
Silicone oil **6 000cSt**
Fill just above the satellite gears.

Rear diff:

Silicone oil **3 000cSt**
Fill just above the satellite gears.

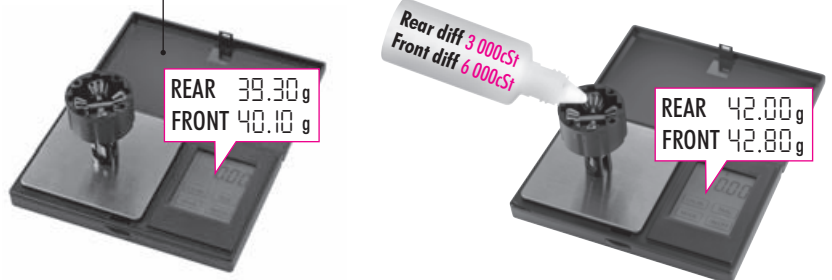
VERY IMPORTANT!

Use the following silicone oils included in the kit for initial settings:
FRONT diff: **6 000cSt** / REAR diff: **3 000cSt**



To ensure you have the same amount of oil from rebuild to rebuild, do the following:

#107865 HUDY Ultimate Digital Pocket Scale 300g±0.01g



1. Put the diff (without oil) on the scale and check the weight:

- REAR DIFF approx. 39.30g
- FRONT DIFF approx. 40.10g

2. Slowly pour oil into the diff and watch the weight.

Add 2.70g of oil into the diff. The approximate weight of the diff + oil is REAR DIFF approx. 42.00g and FRONT DIFF approx. 42.80g

$$\text{REAR DIFF } 39.30\text{g} + 2.70\text{g} = 42.00\text{g}$$

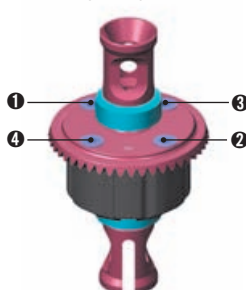
$$\text{FRONT DIFF } 40.10\text{g} + 2.70\text{g} = 42.80\text{g}$$

SET-UP BOOK
DIFFERENTIAL OIL

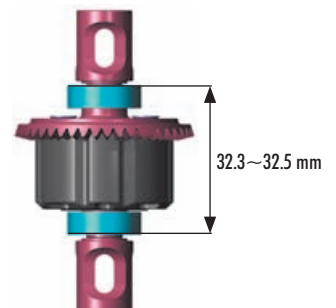
Tighten the screws equally



Finish tightening in this order



After assembly the differentials should have a length of 32.3–32.5 mm measured from the ends of the installed ball-bearings. If differentials are longer, retighten the 4 screws holding the crown gears.



1. CENTER DIFFERENTIAL



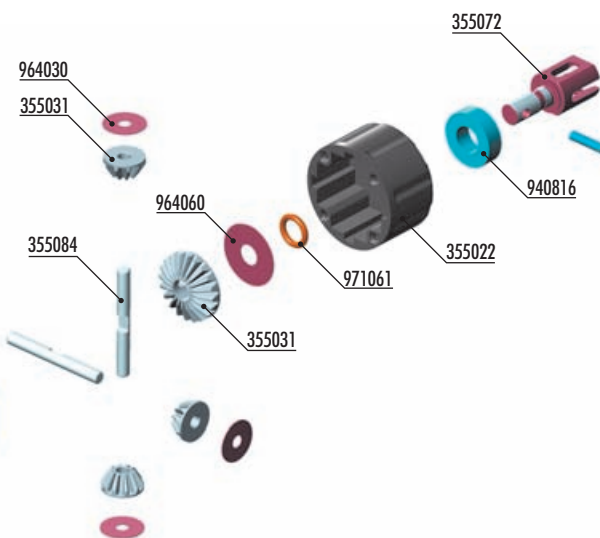
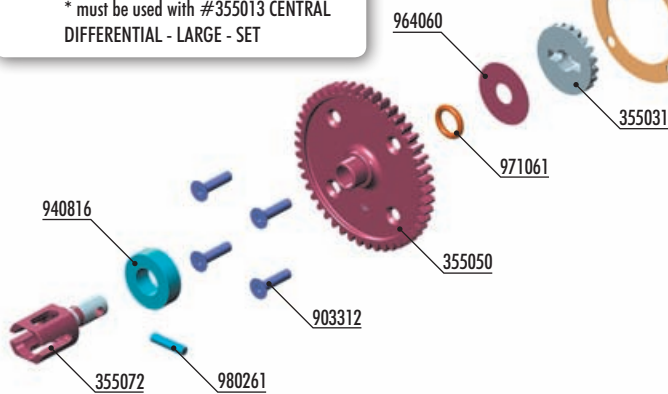
CENTER DIFF SPUR GEAR

#355048	48T	OPTION
#355049	47T	OPTION
#355050	46T	INCLUDED
#355051	45T	OPTION
#355052	44T	OPTION

* CENTER DIFF SPUR GEAR - LARGE

#355056	46T	OPTION
#355057	47T	OPTION
#355058	48T	OPTION

* must be used with #355013 CENTRAL DIFFERENTIAL - LARGE - SET



#355022-G DIFFERENTIAL CASE - V2 - GRAPHITE

* FITS ALL DIFFERENTIALS IN THIS KIT



#355012 CENTER DIFFERENTIAL - SET

#355013 CENTRAL DIFFERENTIAL - LARGE - SET



#355023-G CENTER DIFFERENTIAL CASE - V2 - GRAPHITE

* Must be used with #355013 CENTRAL DIFFERENTIAL - LARGE - SET



#355083 EXTREME HEAT RESISTANT CENTER DIFF PIN WITH INSERTS (2+4)

* Must be used with #355013 CENTRAL DIFFERENTIAL - LARGE - SET



BAG

01.3

- 355022 DIFFERENTIAL CASE - V2
- 355031 STEEL DIFF BEVEL & SATELLITE GEARS - V2 (2+4)
- 355050 CENTER DIFF SPUR GEAR 46T
- 355072 LARGE CENTER DIFF OUTDRIVE ADAPTER - HUDY STEEL (2)
- 355084 DIFF PIN (2)
- 355091 DIFF GASKET (2)

- 903312 HEX SCREW SFH M3x12 (10)
- 940816 BALL-BEARING 8x16x5 RUBBER SEALED - GREASE (2)
- 964030 WASHER S 3.5x12x0.2 (10)
- 964060 WASHER S 6x18x0.2 (10)
- 971061 SILICONE O-RING 6x1.55 (10)
- 980261 PIN 2.5x11.5 (10)



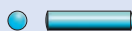
940816
BB 8x16x5



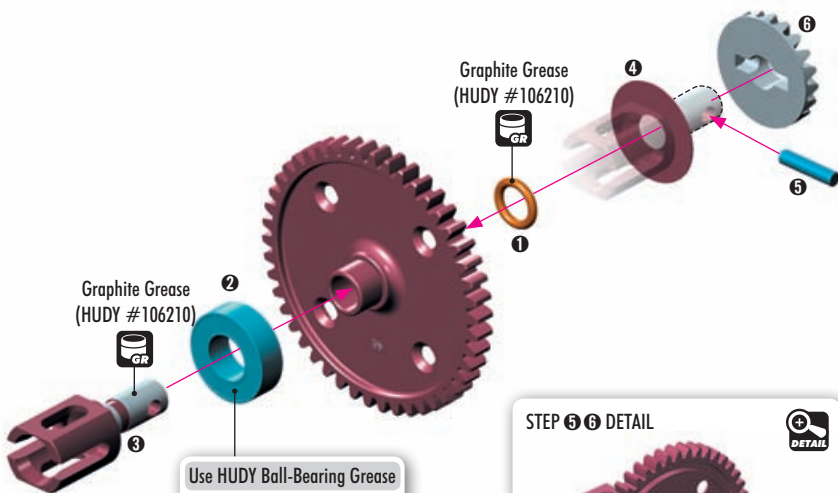
964060
S 6x18x0.2



971061
O 6x1.55



980261
P 2.5x11.5



Graphite Grease
(HUDY #106210)

Use HUDY Ball-Bearing Grease
#106220 - STANDARD
#106221 - BLUE
#106222 - RED

STEP 5 6 DETAIL



CENTER DIFF SPUR GEAR

#355048	48T	OPTION
#355049	47T	OPTION
#355050	46T	INCLUDED
#355051	45T	OPTION
#355052	44T	OPTION

* CENTER DIFF SPUR GEAR - LARGE

#355056	46T	OPTION
#355057	47T	OPTION
#355058	48T	OPTION

* must be used with #355013 CENTRAL DIFFERENTIAL - LARGE - SET

1. CENTER DIFFERENTIAL



940816
BB 8x16x5



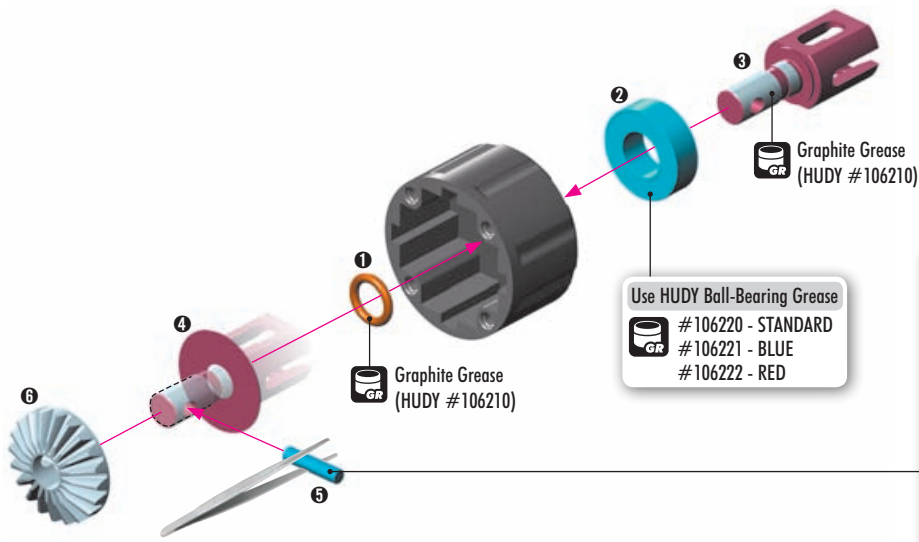
964060
S 6x18x0.2



971061
O 6x1.55



980261
P 2.5x11.5



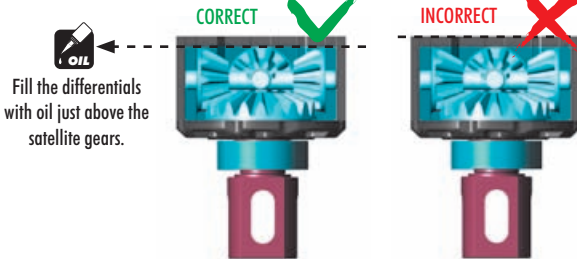
903312
SFH M3x12



964030
S 3.5x12x0.2

VERY IMPORTANT!

Use the following silicone oil included in the kit for initial setting:
Center diff: 7 000cSt



Fill the differentials with oil just above the satellite gears.

IMPORTANT!
Do not overfill the differential. If there is too much oil in the differential, it may leak after it cools down after use.

To ensure you have the same amount of oil from rebuild to rebuild, do the following:

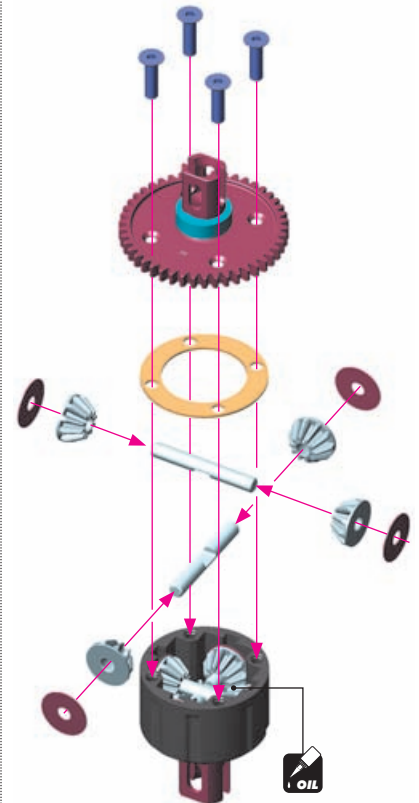
#107865 HUDY Ultimate Digital Pocket Scale 300g ± 0.01g



1. Put the diff (without oil) on the scale and check the weight (approximately 39g).

2. Slowly pour oil into the diff and watch the weight. Add 2.70g of oil into the diff. The approximate weight of the diff + oil is 41.70g.

$$\text{CENTER DIFF } 39.00\text{g} + 2.70\text{g} = 41.70\text{g}$$

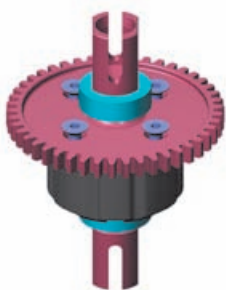


Center diff:

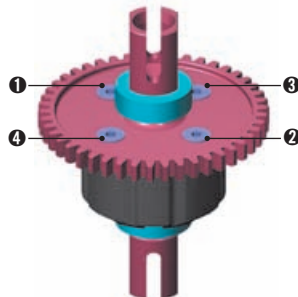
Silicone oil 7 000cSt
Fill to just above the satellite gears.

SET-UP BOOK
DIFFERENTIAL OIL

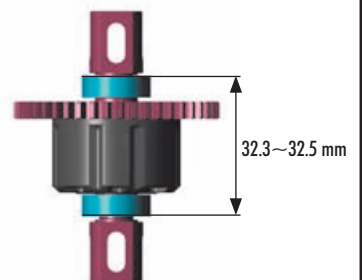
Tighten the screws equally



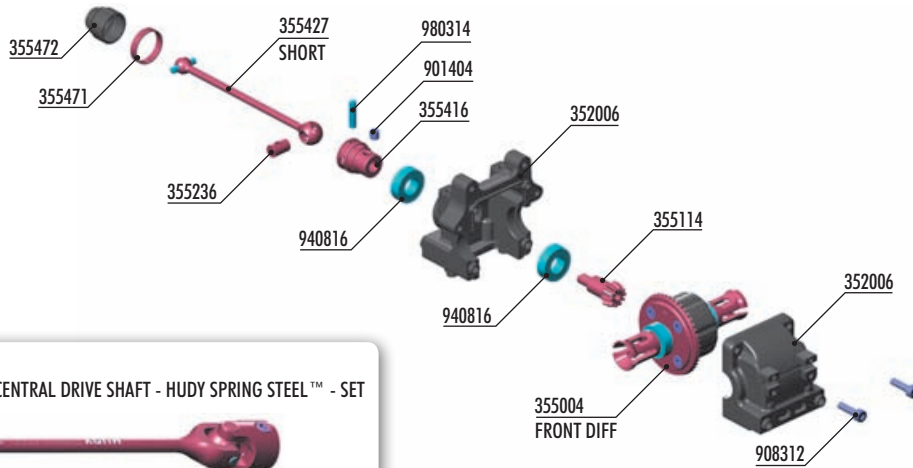
Finish tightening in this order



After assembly the differential should have a length of 32.3~32.5 mm measured from the ends of the installed ball-bearings. If differential is longer, retighten the 4 screws holding the spur gear.



2. FRONT TRANSMISSION



#355426
OPTION FRONT UNIVERSAL CENTRAL DRIVE SHAFT - HUDY SPRING STEEL™ - SET



BAG

02

352006	XB8 DIFF BULKHEAD BLOCK SET FRONT/REAR	355472	DRIVE SHAFT BOOT (2)
355004	XB8 FRONT DIFFERENTIAL 46T - V2 - SET	901404	HEX SCREW SB M4x4 (10)
355114	BEVEL DRIVE GEAR 14T	908312	HEX SCREW SOCKET HEAD CAP SCH M3x12 (10)
355236	CVD DRIVE SHAFT COUPLING - HUDY SPRING STEEL™	940816	BALL-BEARING 8x16x5 RUBBER SEALED - GREASE (2)
355416	CENTRAL CVD SHAFT UNIVERSAL JOINT - HUDY SPRING STEEL™	980314	PIN 3x14 (10)
355427	FRONT CENTRAL CVD DRIVE SHAFT - HUDY SPRING STEEL™		
355471	DRIVE SHAFT LOCKING RING (2)		



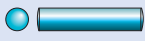
901404
SB M4x4



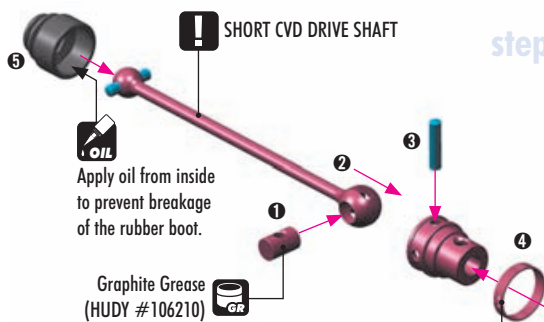
940816
BB 8x16x5



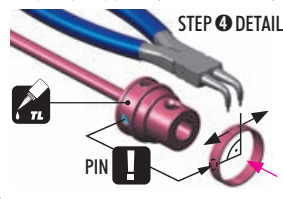
Graphite Grease
(HUDY #106210)



980314
P 3x14



The ring can be assembled by hand, but for easy disassembly we recommend using snap ring pliers (HUDY #189040)

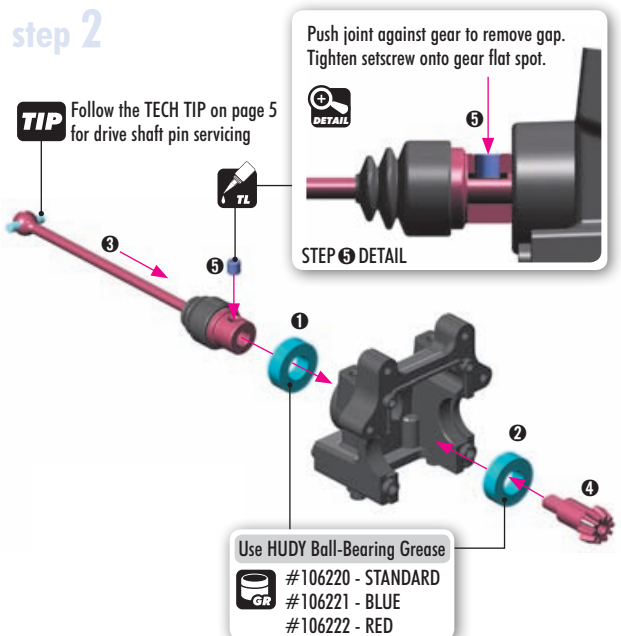


BEFORE inserting the clip on the central CVD shaft joint, apply a small amount of threadlock on the area where the clip goes.

AFTER inserting the clip on the central CVD shaft joint, turn the clip so that the slot is 90° from the pin. This will prevent the pin from opening the clip.

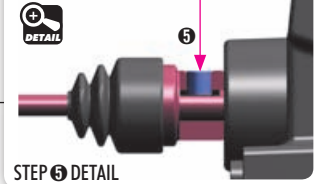
step 1

step 2



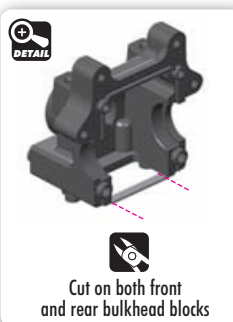
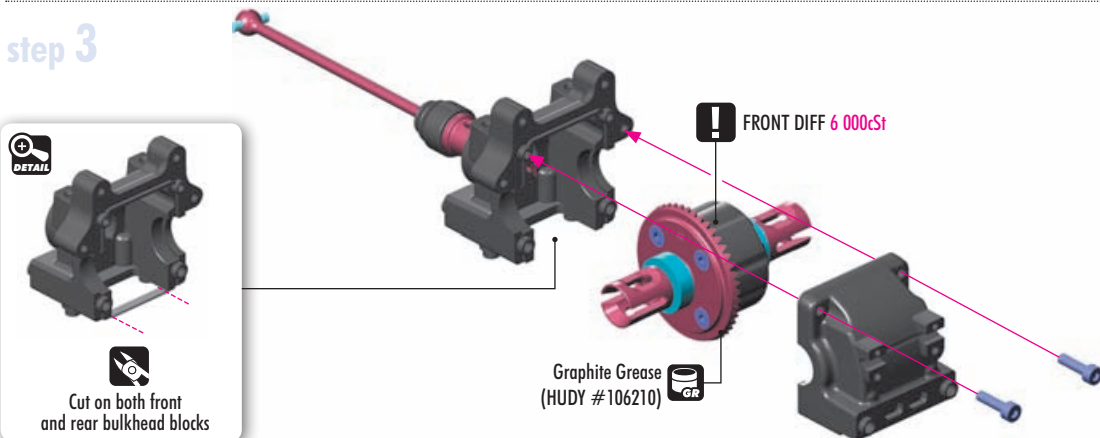
Push joint against gear to remove gap. Tighten setscrew onto gear flat spot.

TIP Follow the TECH TIP on page 5 for drive shaft pin servicing



Use HUDY Ball-Bearing Grease
 #106220 - STANDARD
 #106221 - BLUE
 #106222 - RED

step 3



Cut on both front and rear bulkhead blocks

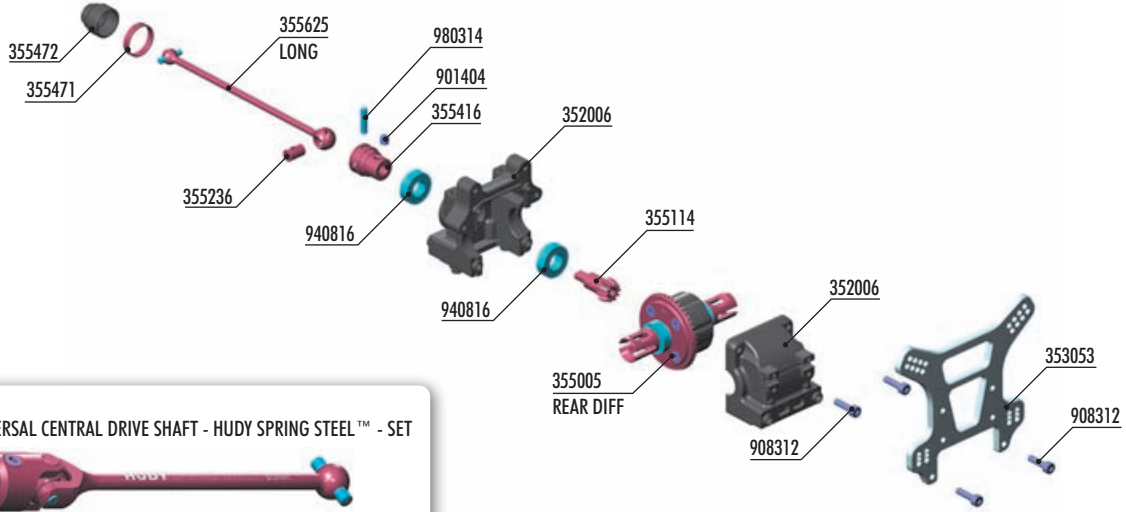
Graphite Grease
(HUDY #106210)

FRONT DIFF 6 000cF



908312
SCH M3x12

2. REAR TRANSMISSION



#355626
OPTION REAR UNIVERSAL CENTRAL DRIVE SHAFT - HUDY SPRING STEEL™ - SET



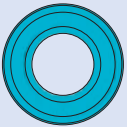
BAG

02

352006	XB8 DIFF BULKHEAD BLOCK SET FRONT/REAR	355471	DRIVE SHAFT LOCKING RING (2)
355005	XB8 REAR DIFFERENTIAL 46T - V2 - SET	355472	DRIVE SHAFT BOOT (2)
353053	XB8 ALU REAR SHOCK TOWER - CNC MACHINED 7075 T6 (4MM)	901404	HEX SCREW SB M4x4 (10)
355114	BEVEL DRIVE GEAR 14T	908312	HEX SCREW SOCKET HEAD CAP SCH M3x12 (10)
355236	CVD DRIVE SHAFT COUPLING - HUDY SPRING STEEL™	940816	BALL-BEARING 8x16x5 RUBBER SEALED - GREASE (2)
355416	CENTRAL CVD SHAFT UNIVERSAL JOINT - HUDY SPRING STEEL™	980314	PIN 3x14 (10)
355625	REAR CENTRAL CVD DRIVE SHAFT - HUDY SPRING STEEL™		



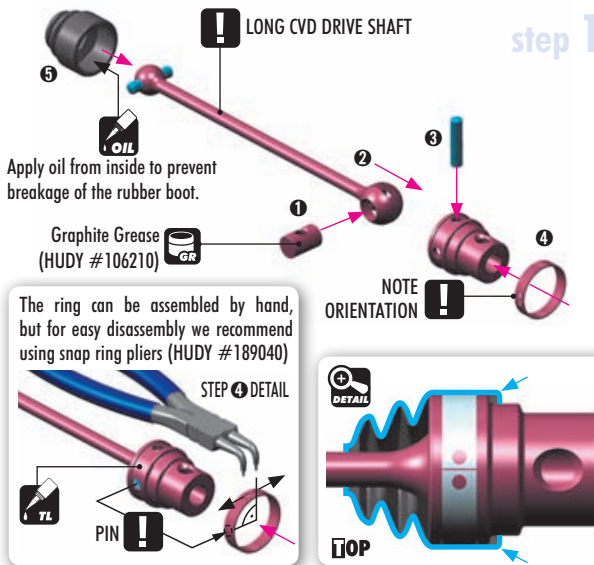
901404
SB M4x4



940816
BB 8x16x5



980314
P 3x14



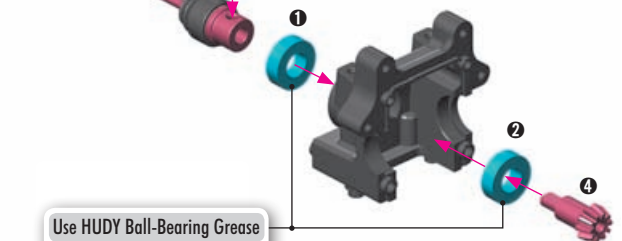
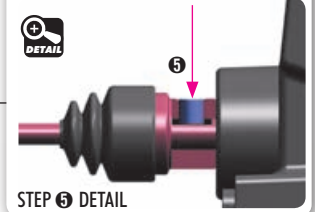
BEFORE inserting the clip on the central CVD shaft joint, apply a small amount of threadlock on the area where the clip goes.

AFTER inserting the clip on the central CVD shaft joint, turn the clip so that the slot is 90° from the pin. This will prevent the pin from opening the clip.

step 2

TIP Follow the TECH TIP on page 5 for drive shaft pin servicing.

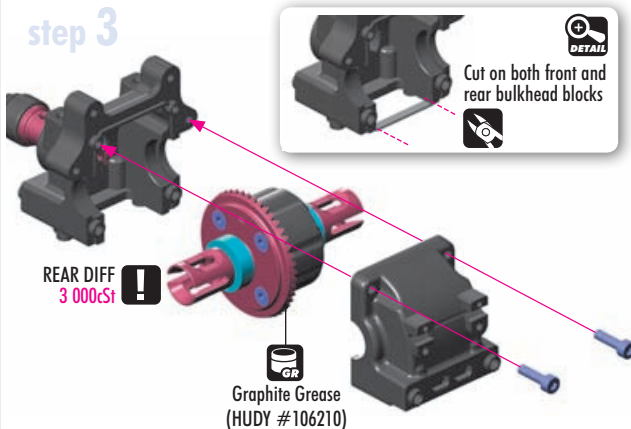
Push joint against gear to remove gap. Tighten setscrew onto gear flat spot.



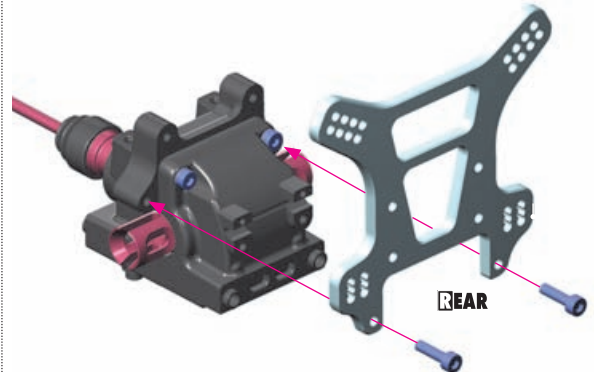
Use HUDY Ball-Bearing Grease

- #106220 - STANDARD
- #106221 - BLUE
- #106222 - RED



step 3

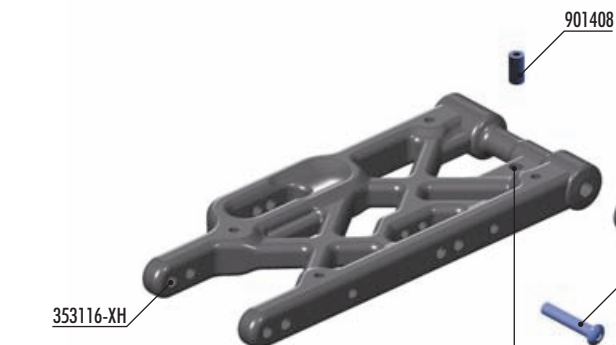
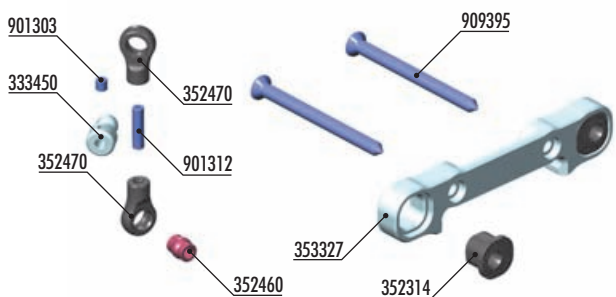
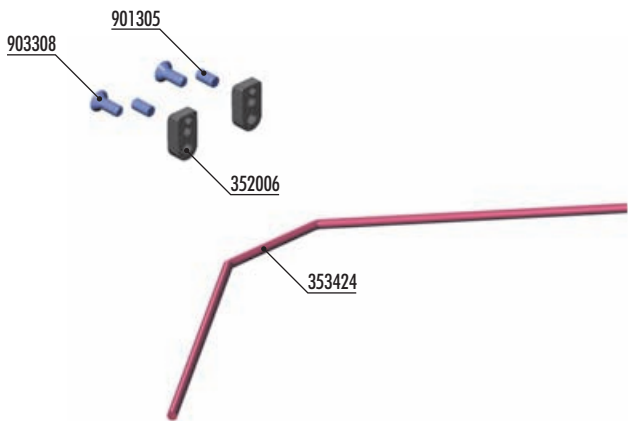


step 4



3. REAR SUSPENSION

-  #353113 XB8 '16 COMPOSITE REAR LOWER SUSPENSION ARM - RIGHT
-  #353123 XB8 '16 COMPOSITE REAR LOWER SUSPENSION ARM - LEFT
- #353317 XB8 ALU REAR LOWER SUSP. HOLDER - FRONT - SQUARE ADJ. ROLL CENTER
- #353325 XB8 ALU REAR LOWER SUSP. HOLDER - REAR - SQUARE ADJ. ROLL CENTER




 #902407
HEX SCREW SH M4x7 WITH HEX FROM BOTTOM (4)




 #333451
ALU ANTI-ROLL BAR PIVOT BALL 5.8 MM - SWISS 7075 T6 - HARDCOATED (2)



 **REAR SUSPENSION ARMS**

#353115	MEDIUM	OPTION
#353116	HARD	OPTION
#353116-XH	X-HARD	INCLUDED
#353116-G	GRAPHITE	OPTION

 **REAR ANTI-ROLL BARS**

#353418	ø1.8mm	OPTION
#353420	ø2.0mm	OPTION
#353422	ø2.2mm	OPTION
#353424	ø2.4mm	INCLUDED
#353425	ø2.5mm	OPTION
#353426	ø2.6mm	OPTION
#353428	ø2.8mm	OPTION
#353430	ø3.0mm	OPTION
#353432	ø3.2mm	OPTION



- 333450 ANTI-ROLL BAR BALL JOINT 5.8 MM (2)
- 352006 XB8 DIFF BULKHEAD BLOCK SET FRONT/REAR
- 352314 COMPOSITE ECCENTRIC BUSHINGS - V2 (2)
- 352460 PIVOT BALL 5.8 (10)
- 352470 BALL JOINT 5.8 (8)
- 353116-XH COMPOSITE REAR LOWER SUSPENSION ARM - X-HARD
- 353316 ALU REAR LOWER SUSP. HOLDER - FRONT - SQUARE ADJ. ROLL CENTER
- 353327 ALU REAR LOWER SUSP. HOLDER - REAR - SQUARE ADJ. ROLL CENTER
- 353371 SET OF COMPOSITE LOWER ARM SHIMS
- 353424 REAR ANTI-ROLL BAR 2.4MM
- 357212 LOWER INNER PIVOT PIN F+R (2)

- 901303 HEX SCREW SB M3x3 (10)
- 901305 HEX SCREW SB M3x5 (10)
- 901312 HEX SCREW SB M3x12 (10)
- 901408 HEX SCREW SB M4x8 (10)
- 902318 HEX SCREW SH M3x18 (10)
- 903308 HEX SCREW SFH M3x8 (10)
- 909372 SCREW PHILLIPS SS 3.5x22 (10)
- 909395 SCREW PHILLIPS SS 3.5x45 (10)

3. REAR SUSPENSION



353371
SHIM 4x10x2



901408
SB 4x8



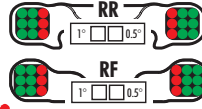
909372
SS 3.5x22



909395
SS 3.5x45

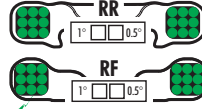
OPTION	REAR SUSPENSION ARMS		
#353115	MEDIUM	OPTION	
#353116	HARD	OPTION	
#353116-XH	X-HARD	INCLUDED	
#353116-G	GRAPHITE	OPTION	

MEDIUM SUSPENSION ARMS



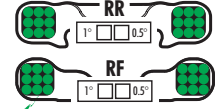
Do not use INNER positions.

HARD/X-HARD SUSPENSION ARMS

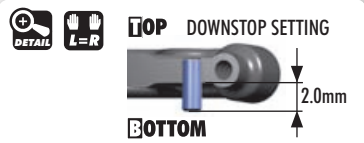
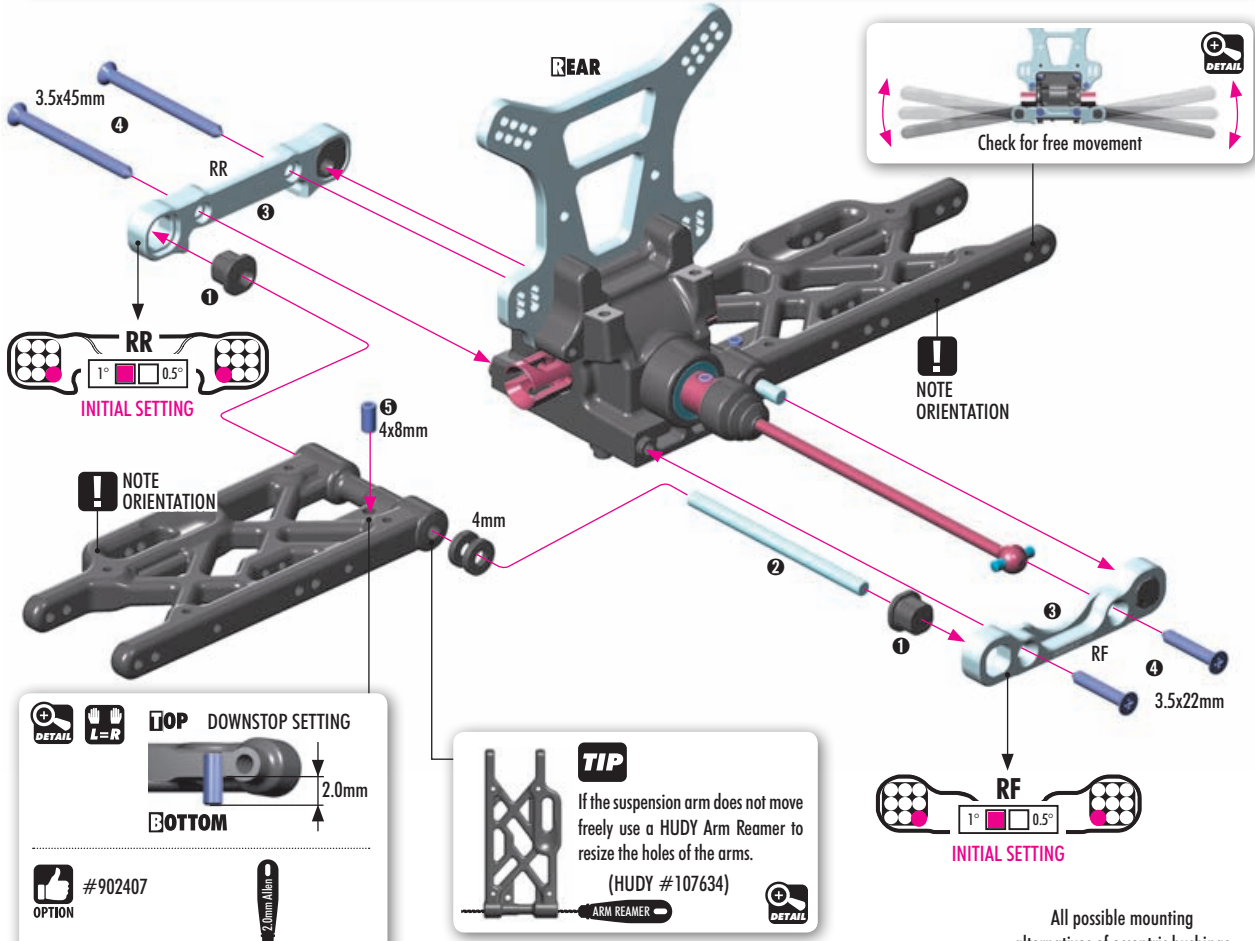


All positions are available.

GRAPHITE SUSPENSION ARMS

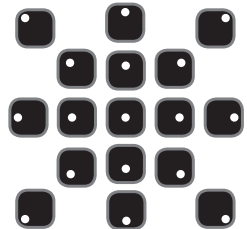


All positions are available.



TIP
If the suspension arm does not move freely use a HUDY Arm Reamer to resize the holes of the arms.
(HUDY #107634)
ARM REAMER

All possible mounting alternatives of eccentric bushings



ECCENTRIC BUSHINGS HAVE TWO DIFFERENT OFFSETS FROM THE CENTER.



SET-UP BOOK
TOE-IN
ANTI-SQUAT
ROLL CENTER
DOWNSTOP
WHEELBASE
TRACK WIDTH

The XRAY rear alu lower suspension holders provide even greater range of adjustment for the rear suspension. Using different combinations of eccentric bushings, fine adjustment of rear anti-squat, rear toe-in, rear roll center, and rear track-width can be obtained. For more information about the influence of rear anti-squat, rear toe-in, rear roll center and rear track width on car handling, please refer to HUDY Off-Road Set-up Book (#209099).

ANTI-SQUAT		
RR	RF	(°)
0	0	=3°
0	0.5	=4°
0	1	=2°
0.5	0	=4°
0.5	0.5	=3°
0.5	1	=5°
1	0	=2°
1	0.5	=3°
1	1	=1°

ROLL CENTER		
RR	RF	(mm)
0	0	=0mm
0	0.5	=1mm
0	1	=-1mm

The tables describe the amounts of rear anti-squat, rear toe-in, rear track-width change depending on the combinations of eccentric bushings used with 0 and 1mm, 1° offset. The 0.5mm, 0.5° represents the half change.

Anti-Squat Example:

0(RR) - 0 (RF) = 3°	0(RR) - 0 (RF) = 3°
0(RR) - 0.5 (RF) = 3.5°	0(RR) - 0.5 (RF) = 3.5°
0(RR) - 1 (RF) = 4°	0(RR) - 1 (RF) = 4°

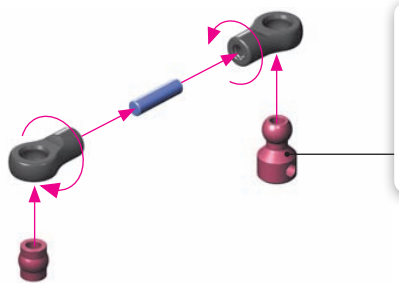
TRACK-WIDTH		
RR	RF	(mm)
0	0	=308
0	0.5	=306
0	1	=310

TOE-IN		
RR	RF	(°)
0	0	=3°
0	0.5	=4°
0	1	=2°
0.5	0	=2°
0.5	0.5	=3°
0.5	1	=1°
1	0	=4°
1	0.5	=5°
1	1	=3°

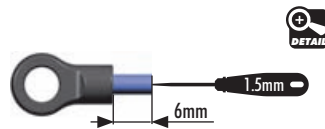
3. REAR SUSPENSION

901312
SB M3x12

2x
L=R



TIP Install the pivot balls with Professional Multi Tool (HUDY #183011)



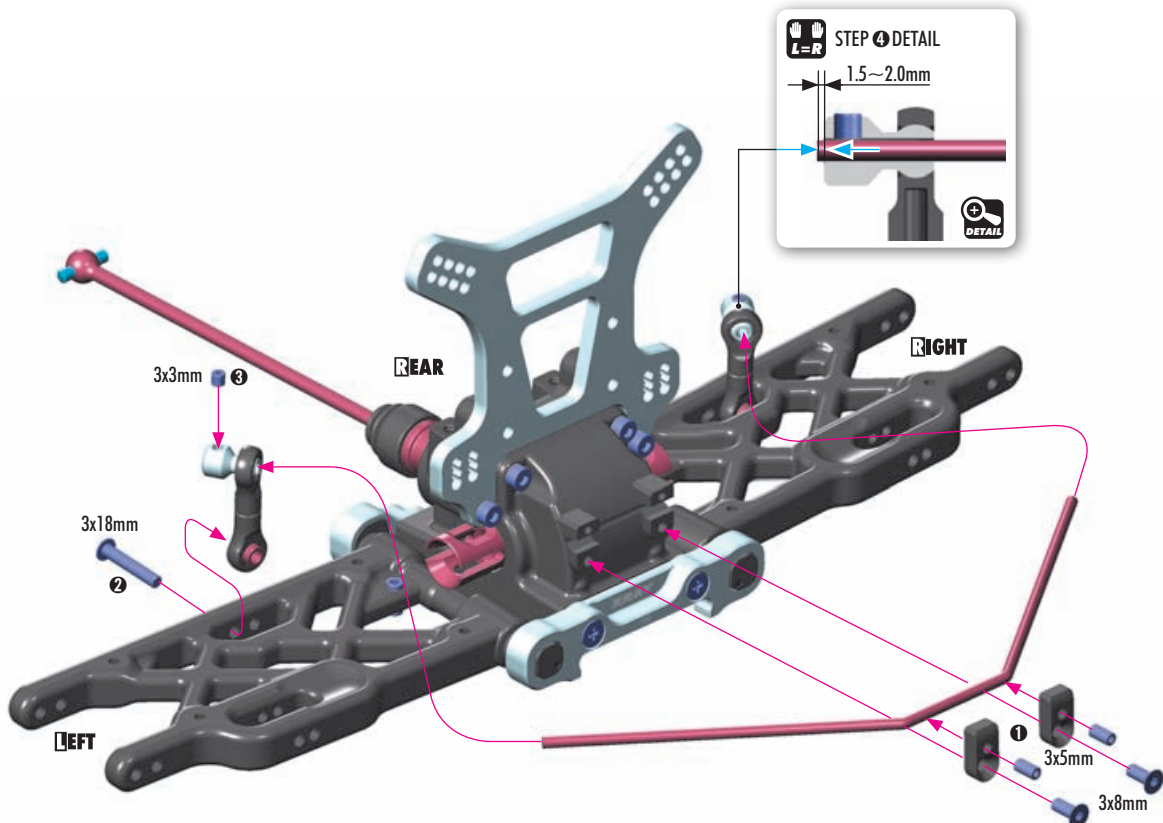
901303
SB M3x3

901305
SB M3x5

902318
SH M3x18

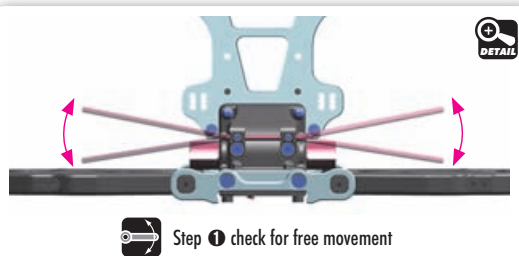
903308
SFH M3x8

L=R

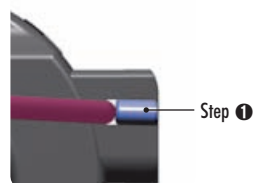


SET-UP BOOK
ANTI-ROLL BAR

INITIAL SETTING



Loosen the 3x5 setscrew if the anti-roll bar does not turn freely

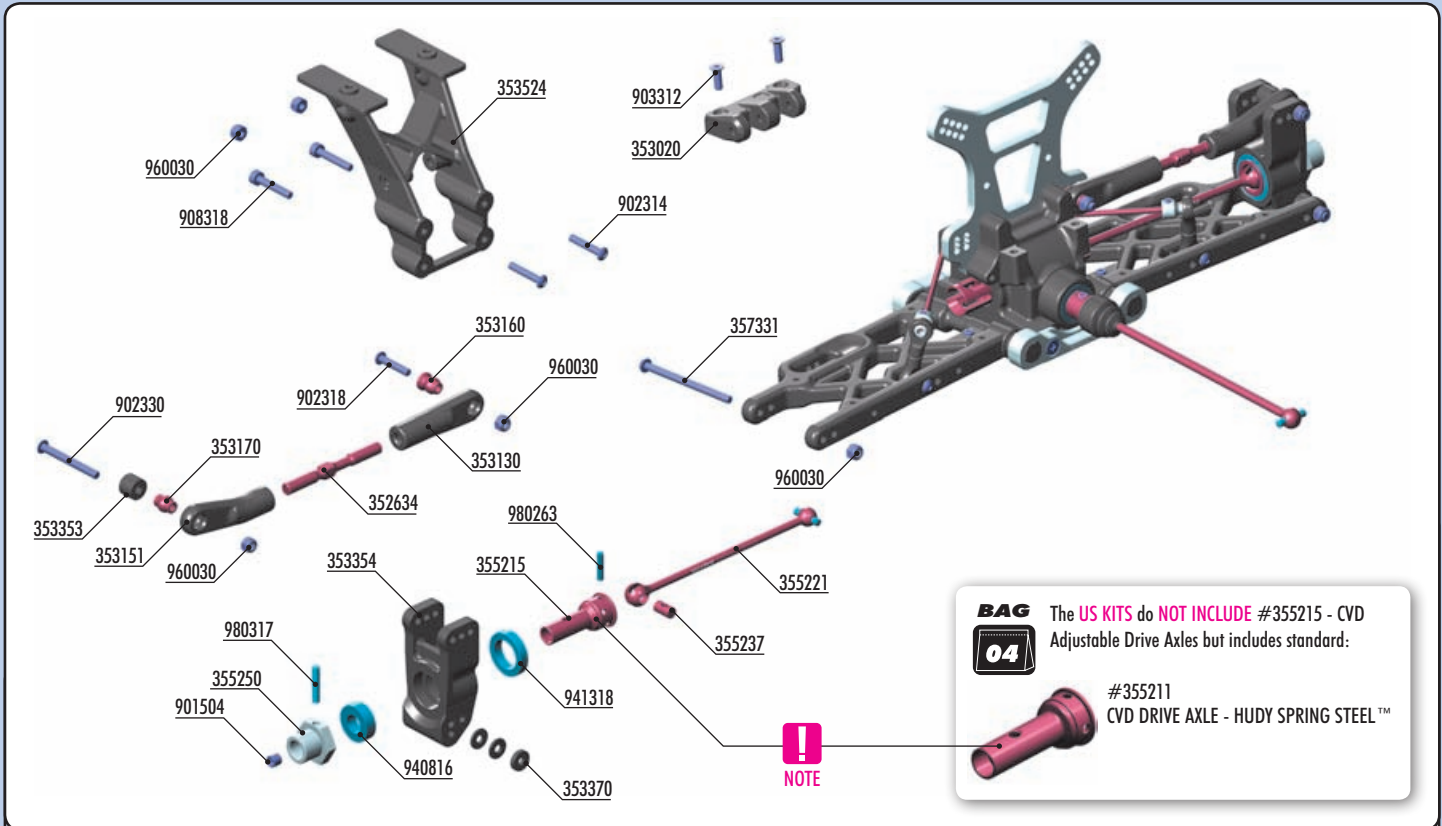


OPTION

REAR ANTI-ROLL BARS

OPTION	REAR ANTI-ROLL BARS	
#353418	ø1.8mm	OPTION
#353420	ø2.0mm	OPTION
#353422	ø2.2mm	OPTION
#353424	ø2.4mm	INCLUDED
#353425	ø2.5mm	OPTION
#353426	ø2.6mm	OPTION
#353428	ø2.8mm	OPTION
#353430	ø3.0mm	OPTION
#353432	ø3.2mm	OPTION

4. REAR SUSPENSION



BAG The **US KITS** do **NOT INCLUDE** #355215 - CVD Adjustable Drive Axles but includes standard:

04 #355211 CVD DRIVE AXLE - HUDY SPRING STEEL™

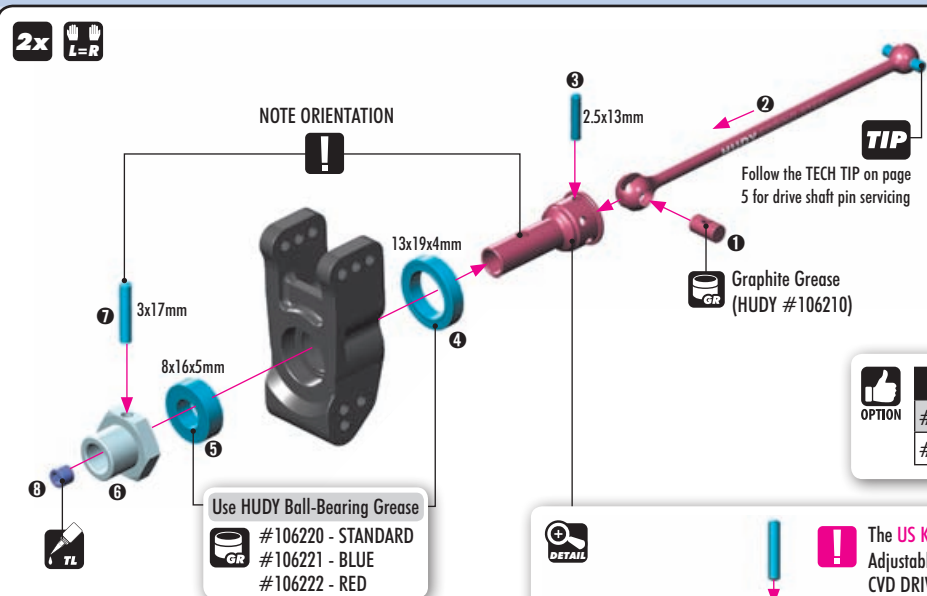
NOTE

BAG

04

- 352634 ADJ. TURNBUCKLE M5 L/R 50 MM - HUDY SPRING STEEL™ (2)
- 353020 COMPOSITE REAR BRACE HOLDER
- 353130 REAR UPPER INNER CAMBER LINK BALL JOINT (2)
- 353151 RELIEF REAR UPPER OUTER CAMBER LINK BALL JOINT (2)
- 353160 MOUNTING BALL 6.8 (4)
- 353170 PIVOT BALL 6.8 (4)
- 353354 COMPOSITE REAR UPRIGHT
- 353370 SET OF COMPOSITE REAR HUB CARRIER SHIMS
- 353524 COMPOSITE REAR WING HOLDER
- 355215 CVD ADJUSTABLE DRIVE AXLE - HUDY SPRING STEEL™
- 355221 CVD UNIVERSAL DRIVE SHAFT - HUDY SPRING STEEL™
- 355237 CVD DRIVE SHAFT COUPLING - HUDY SPRING STEEL™
- 355250 ALU WHEEL AXLE - BLACK COATED (2)

- 357331 REAR LOWER OUTER PIVOT PIN SCREW 3MM (2)
- 901504 HEX SCREW SB M5x4 (10)
- 902314 HEX SCREW SH M3x14 (10)
- 902318 HEX SCREW SH M3x18 (10)
- 902330 HEX SCREW SH M3x30 (10)
- 903312 HEX SCREW SFH M3x12 (10)
- 908318 HEX SCREW SOCKET HEAD CAP SCH M3x18 (10)
- 940816 BALL-BEARING 8x16x5 RUBBER SEALED - GREASE (2)
- 941318 BALL-BEARING 13x19x4 RUBBER SEALED - GREASE (2)
- 960030 NUT M3 (10)
- 980263 PIN 2.5x13 (10)
- 980317 PIN 3x17 (10)



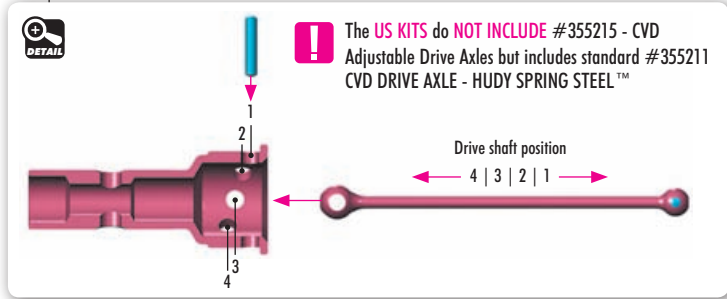
TIP To tighten the setscrew you can also use the HUDY 17mm Wheel Nut Tool #107570

REAR UPRIGHTS

OPTION	REAR UPRIGHT	MATERIAL	STATUS
	#353354	HARD	INCLUDED
	#353354-G	GRAPHITE	OPTION

OFFSET WHEEL AXLES

OPTION	OFFSET	STATUS
#355250	0mm	INCLUDED
#355251	+1mm	OPTION
#355252	+2mm	OPTION

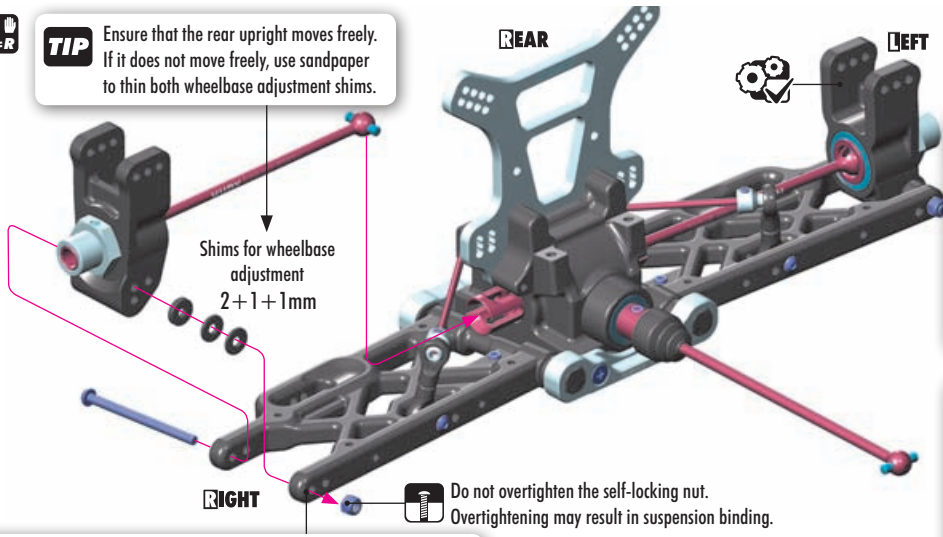


4. REAR SUSPENSION



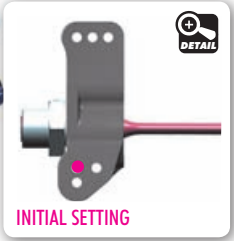
2x L-R

TIP Ensure that the rear upright moves freely. If it does not move freely, use sandpaper to thin both wheelbase adjustment shims.



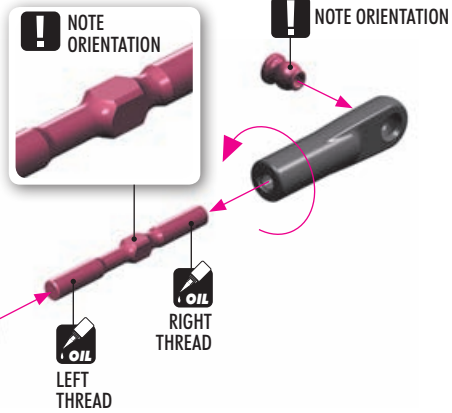
Do not overtighten the self-locking nut. Overtightening may result in suspension binding.

TIP L-R **ARM REAMER** (HUDY # 107633)
If the rear upright does not move freely, use a HUDY Arm Reamer to resize the hole.

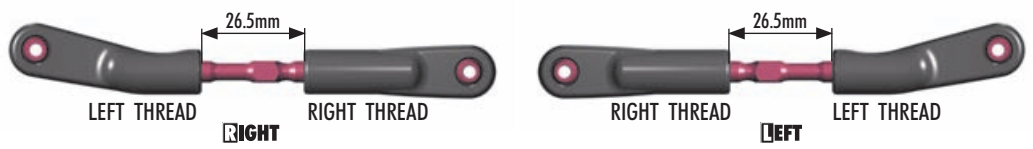


2x L-R

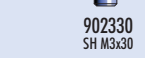
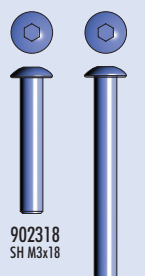
TIP Install the pivot balls with Professional Multi Tool (HUDY #183011)



Use tools to tighten as shown
Special Tool for all turnbuckles & nuts (HUDY #181090) or Turnbuckle Wrench 5mm (HUDY #181050)

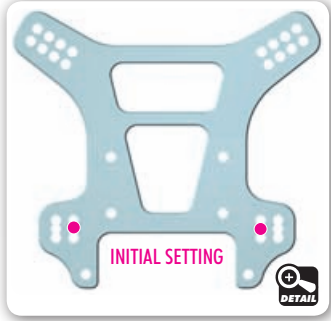
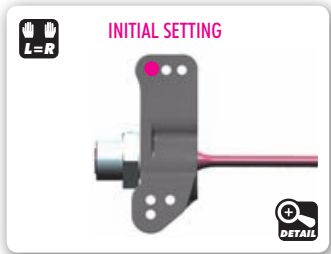
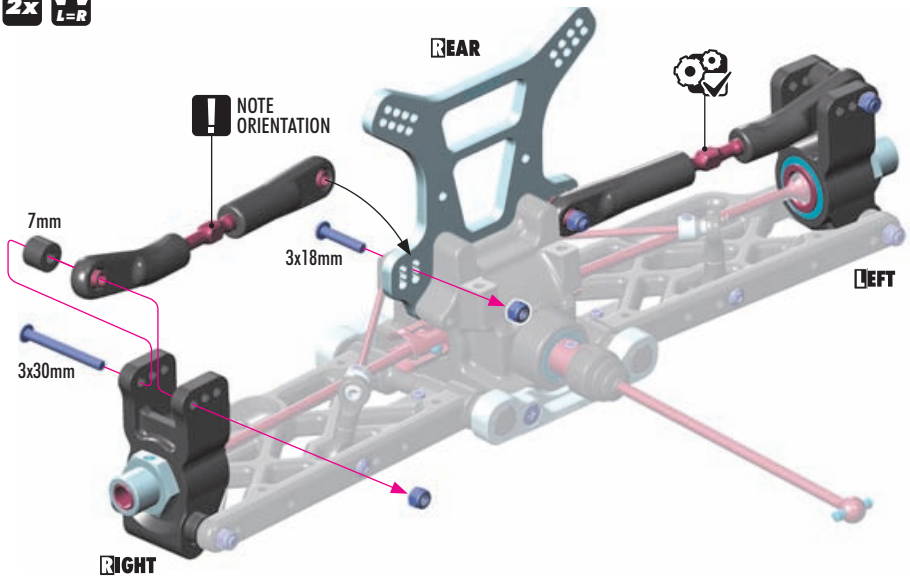


SET-UP BOOK
CAMBER



2x L-R

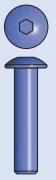
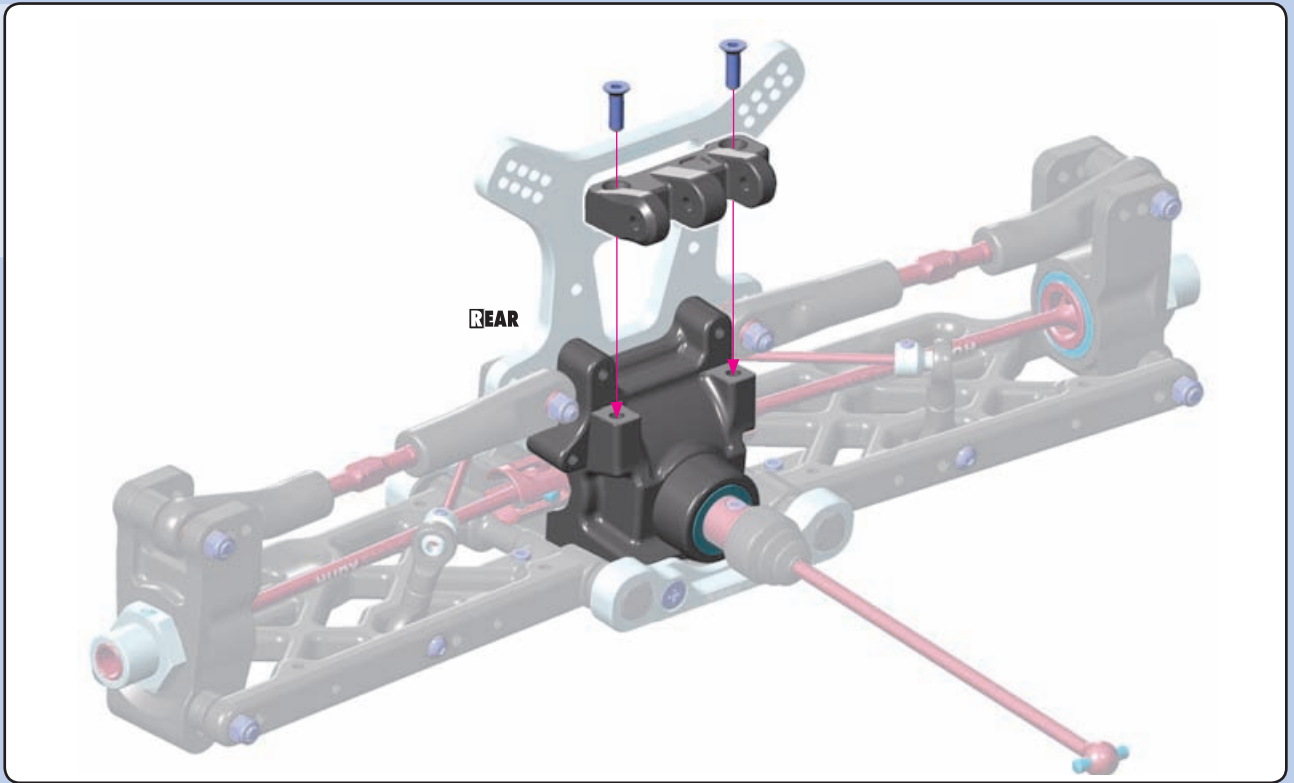
NOTE ORIENTATION



4. REAR SUSPENSION



903312
SFH M3x12



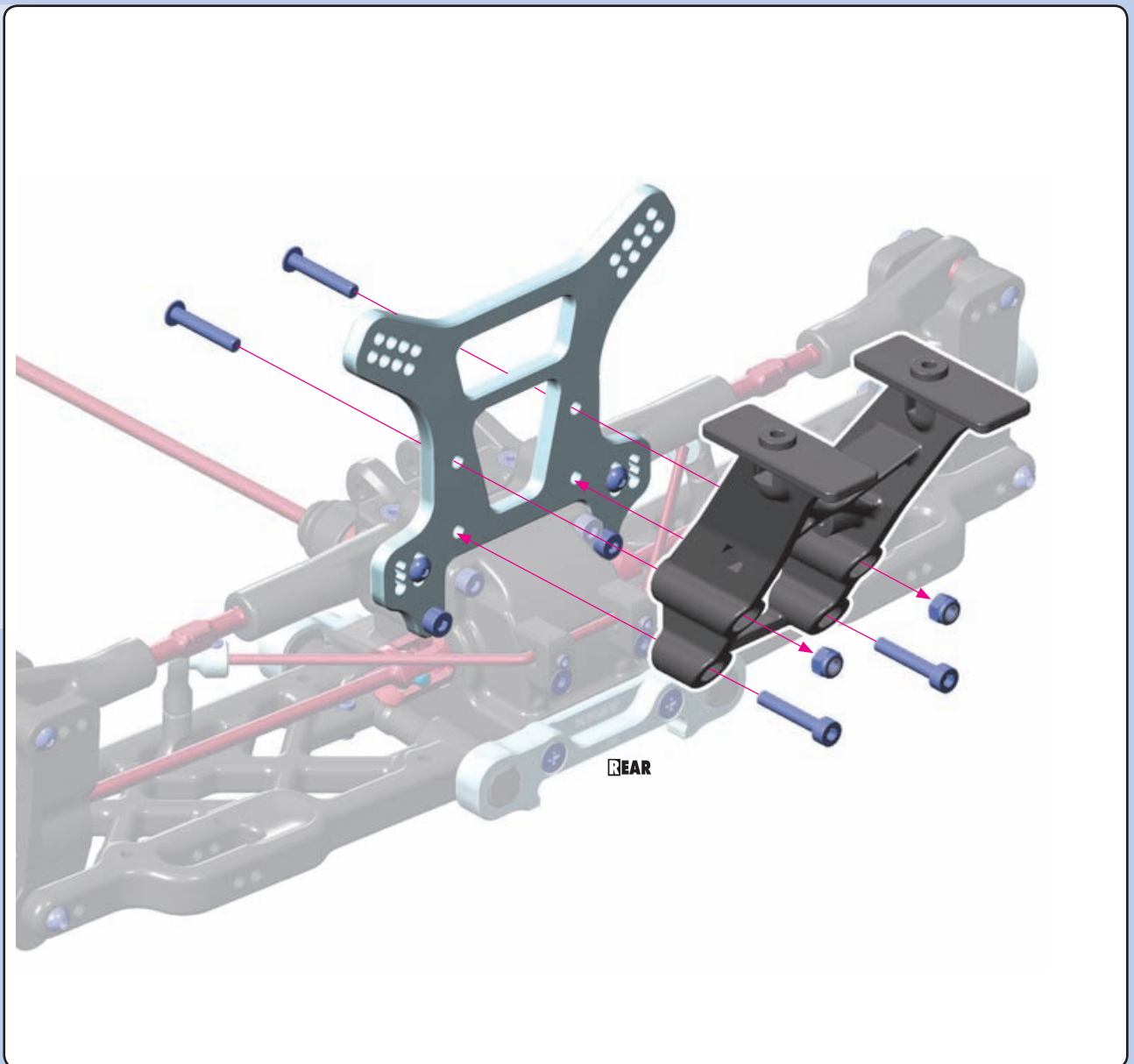
902314
SH M3x14



908318
SCH M3x18

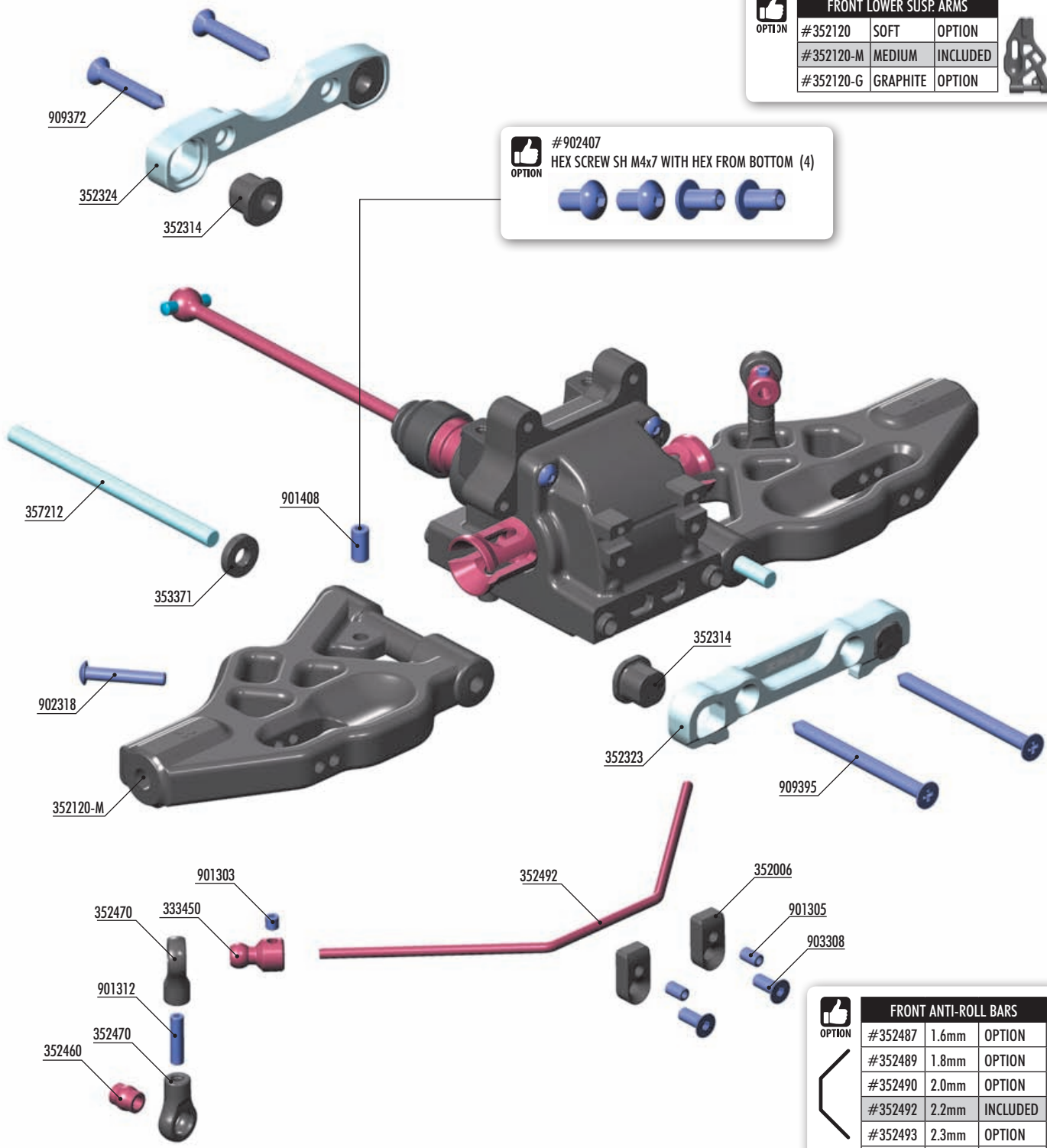


960030
N M3



5. FRONT SUSPENSION

FRONT LOWER SUSP. ARMS			
#352120	SOFT	OPTION	
#352120-M	MEDIUM	INCLUDED	
#352120-G	GRAPHITE	OPTION	



#902407
 HEX SCREW SH M4x7 WITH HEX FROM BOTTOM (4)

#333451
 ALU ANTI-ROLL BAR PIVOT BALL 5.8 MM - SWISS 7075 T6 - HARDCOATED (2)

FRONT ANTI-ROLL BARS		
#352487	1.6mm	OPTION
#352489	1.8mm	OPTION
#352490	2.0mm	OPTION
#352492	2.2mm	INCLUDED
#352493	2.3mm	OPTION
#352494	2.4mm	OPTION
#352495	2.5mm	OPTION
#352496	2.6mm	OPTION
#352498	2.8mm	OPTION

BAG
05

- | | | | |
|----------|---|--------|-------------------------------|
| 333450 | ANTI-ROLL BAR BALL JOINT 5.8 MM (2) | 357212 | LOWER INNER PIVOT PIN F+R (2) |
| 352006 | DIFF BULKHEAD BLOCK SET FRONT/REAR | 901303 | HEX SCREW SB M3x3 (10) |
| 352120-M | COMPOSITE FRONT LOWER SUSPENSION ARM - MEDIUM | 901305 | HEX SCREW SB M3x5 (10) |
| 352323 | ALU FRONT LOWER SUSP. HOLDER - FRONT - SQUARE ADJ. ROLL CENTER - V2 | 901312 | HEX SCREW SB M3x12 (10) |
| 352324 | ALU FRONT LOWER SUSP. HOLDER - REAR - SQUARE ADJ. ROLL CENTER - V2 | 901408 | HEX SCREW SB M4x8 (10) |
| 352314 | COMPOSITE SQUARE ADJ. ROLL CENTER BUSHINGS - V2 (2) | 902318 | HEX SCREW SH M3x18 (10) |
| 352460 | PIVOT BALL 5.8 (10) | 903308 | HEX SCREW SFH M3x8 (10)) |
| 352470 | BALL JOINT 5.8 (8) | 909372 | SCREW PHILLIPS SS 3.5x22 (10) |
| 352492 | FRONT ANTI-ROLL BAR 2.4MM | 909395 | SCREW PHILLIPS SS 3.5x45 (10) |
| 353371 | SET OF COMPOSITE LOWER ARM SHIMS | | |

5. FRONT SUSPENSION



353371
SHIM 4x10x2



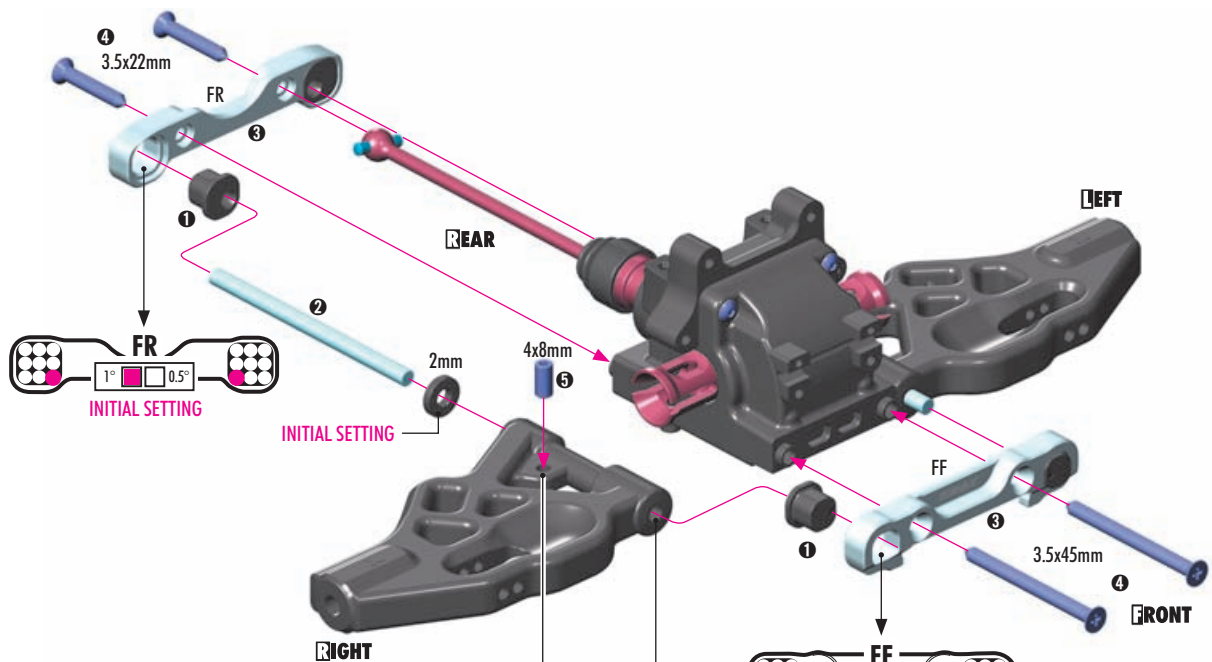
901408
SB M4x8



909372
SS 3.5x22



909395
SS 3.5x45



TOP DOWNSTOP SETTING

BOTTOM 0.0mm

#902407
OPTION

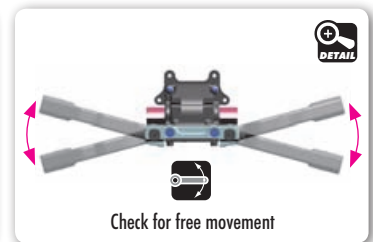
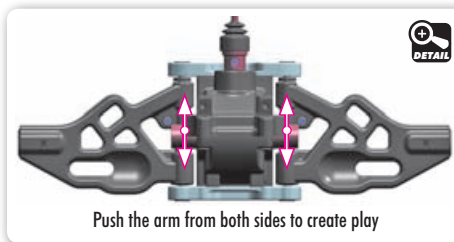
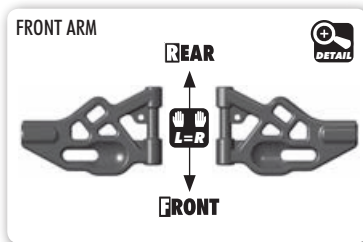
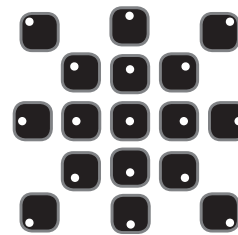
Downstop screw for fine tuning.

TIP L=R

If the suspension arms do not move freely, use a HUDY Arm Reamer to resize the holes.

(HUDY #107634)
ARM REAMER

All possible mounting alternatives of eccentric bushings



Eccentric bushings have two different offsets from the center.

- Middle position = 0.5 mm or 0.5° from center
- Outer position = 1 mm or 1° from center

The XRAY alu front lower suspension holders provide even greater range of adjustment for the front suspension. Using different combinations of eccentric bushings, fine adjustment of front kick-up, roll center, and front track-width can be obtained. For more information about the influence of kick-up, front track-width, and roll centers on car handling, please refer to HUDY Off-Road Set-up Book (#209099).

TRACK-WIDTH			
FF	FR	(mm)	
		=308	
		=306	
		=310*	

ROLL CENTER			
FF	FR	(mm)	
		=1	
		=0	
		=-1	

The tables below describe the amounts of kick-up, front track-width change depending on the combinations of eccentric bushings used with 0 and 1mm, 1° offset. The 0.5mm, 0.5° represents the half change.

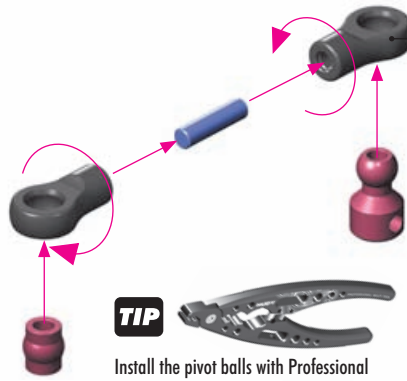
* Not recommended to use this setting.

SET-UP BOOK
KICK UP
ROLL CENTER DOWNSTOP
WHEELBASE
TRACK WIDTH

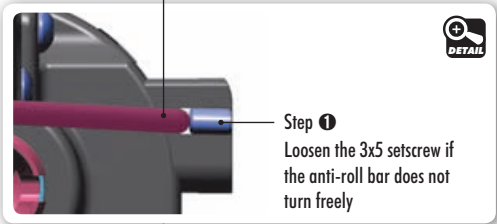
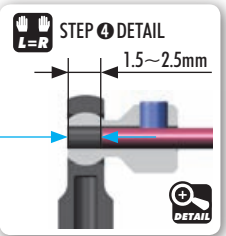
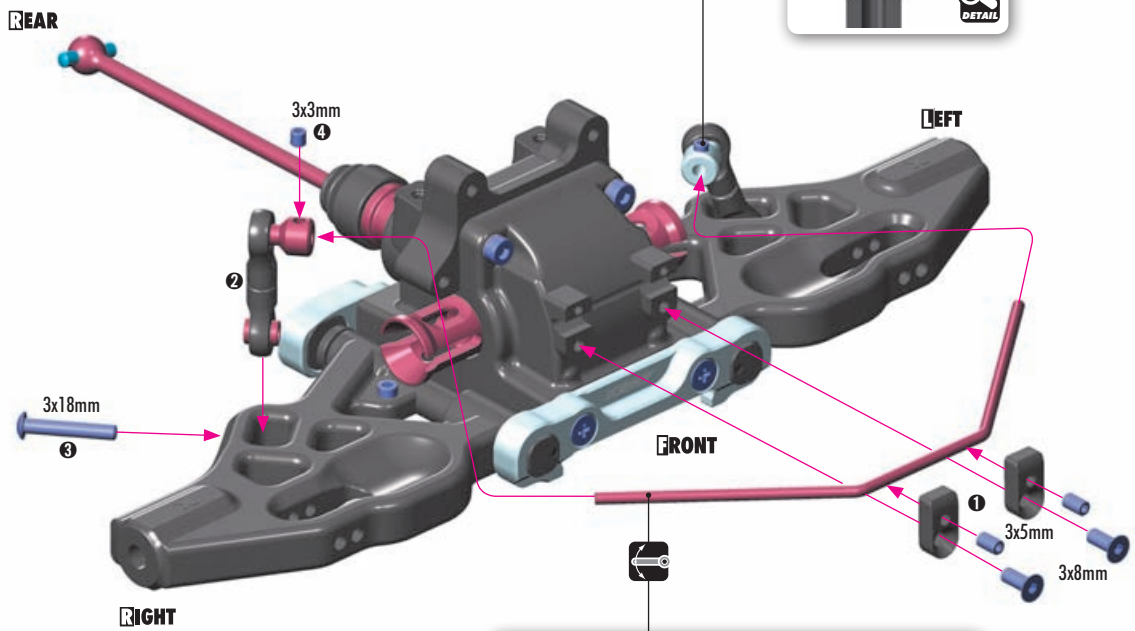
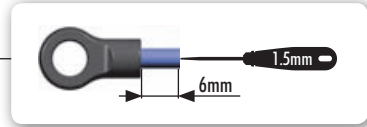
5. FRONT SUSPENSION



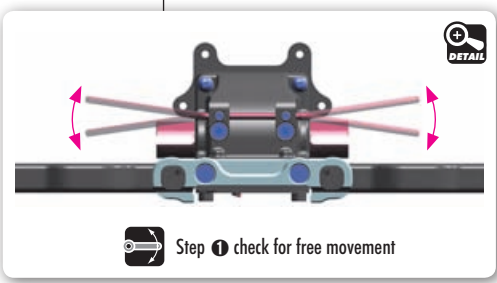
2x L=R



TIP
Install the pivot balls with Professional Multi Tool (HUDY #183011)



OPTION	FRONT ANTI-ROLL BARS	OPTION
#352487	1.6mm	OPTION
#352489	1.8mm	OPTION
#352490	2.0mm	OPTION
#352492	2.2mm	INCLUDED
#352493	2.3mm	OPTION
#352494	2.4mm	OPTION
#352495	2.5mm	OPTION
#352496	2.6mm	OPTION
#352498	2.8mm	OPTION




SET-UP BOOK
ANTI-ROLL BAR

6. FRONT SUSPENSION


FRONT UPPER SUSP. ARMS

OPTION	#352133	SOFT	OPTION
	#352133-M	MEDIUM	INCLUDED
	#352133-G	GRAPHITE	OPTION




OFFSET WHEEL AXLES

OPTION	#355250	0mm	OPTION
	#355251	+1mm	INCLUDED
	#355252	+2mm	OPTION

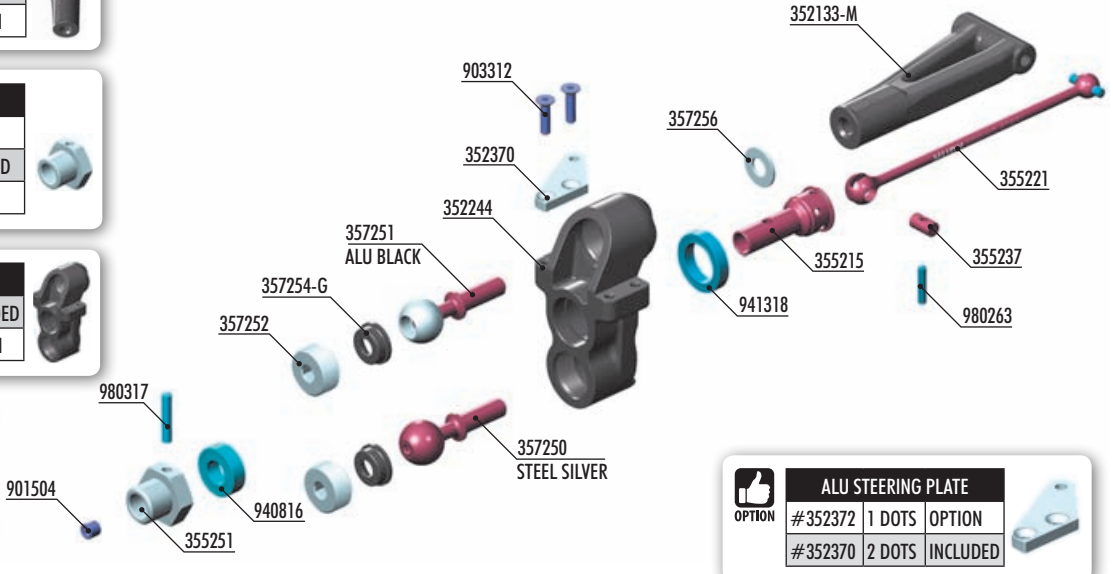


STEERING BLOCKS

OPTION	#352244	HARD	INCLUDED
	#352244-G	GRAPHITE	OPTION




#357253 BRASS ADJUSTING NUT M15x1


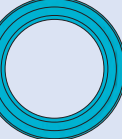



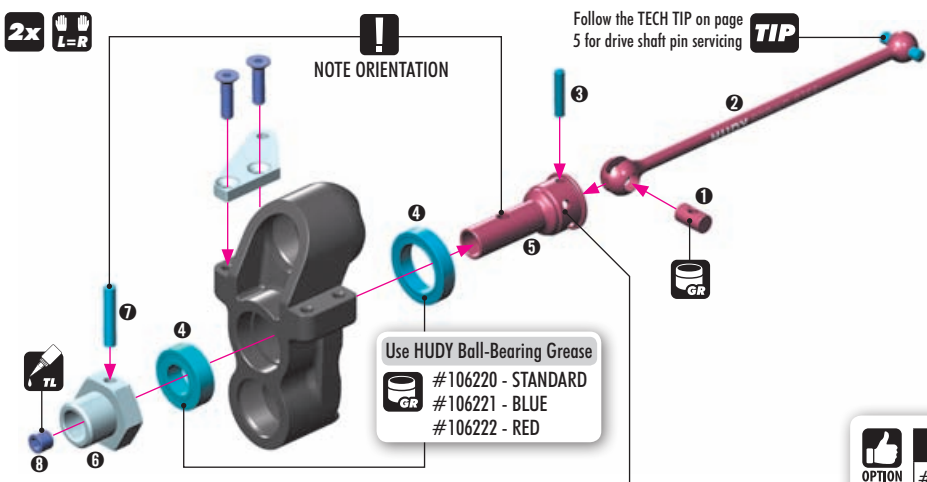
ALU STEERING PLATE

OPTION	#352372	1 DOTS	OPTION
	#352370	2 DOTS	INCLUDED




- | | | | |
|----------|--|----------|---|
| 352133-M | FRONT UPPER ARM | 357252 | ALU ADJUSTING NUT M15x1 (2) |
| 352244 | STEERING BLOCK | 357254-G | COMPOSITE BALL CUP 13.9 MM - GRAPHITE (2) |
| 352370 | ALU STEERING PLATE - SWISS 7075 T6 (L+R) | 357256 | ALU SHIM 6x13x1 (2) |
| 355215 | CVD ADJUSTABLE DRIVE AXLE - HUDY SPRING STEEL™ (2) | 901504 | HEX SCREW SB M5x4 (10) |
| 355221 | CVD UNIVERSAL DRIVE SHAFT - HUDY SPRING STEEL™ | 903312 | HEX SCREW SFH M3x12 (10) |
| 355237 | CVD DRIVE SHAFT COUPLING - HUDY SPRING STEEL™ | 940816 | BALL-BEARING 8x16x5 RUBBER SEALED - GREASE (2) |
| 355251 | ALU WHEEL AXLE OFFSET "+1MM" - HARD COATED (2) | 941318 | BALL-BEARING 13x19x4 RUBBER SEALED - GREASE (2) |
| 357250 | STEEL PIVOT BALL 13.7 MM (2) | 980263 | PIN 2.5x13 (10) |
| 357251 | ALU PIVOT BALL 13.7 MM WITH STEEL SCREW (2) | 980317 | PIN 3x17 (10) |

-  901504 SB M5x4
-  940816 BB 8x16x5
-  903312 SFH M3x12
-  980317 P 3x17
-  941318 BB 13x19x4
-  980263 P 2.5x13


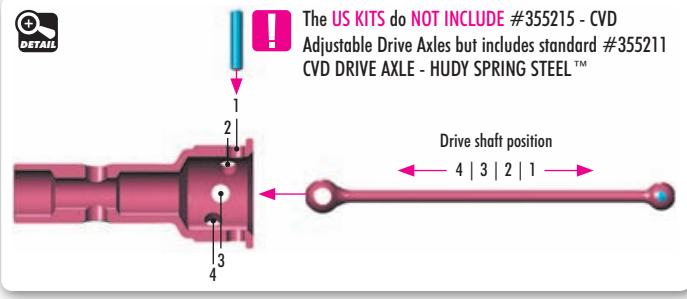


#357253 BRASS ADJUSTING NUT M15x1




ALU STEERING PLATE

OPTION	#352372	1 DOTS	OPTION
	#352370	2 DOTS	INCLUDED

STEERING BLOCKS

OPTION	#352244	HARD	INCLUDED
	#352244-G	GRAPHITE	OPTION




TIP

To tighten the setscrew you can also use the (HUDY 17mm Wheel Nut Tool #107570)




FRONT UPPER SUSP. ARMS

OPTION	#352133	SOFT	OPTION
	#352133-M	MEDIUM	INCLUDED
	#352133-G	GRAPHITE	OPTION



OFFSET WHEEL AXLES

OPTION	#355250	0mm	OPTION
	#355251	+1mm	INCLUDED
	#355252	+2mm	OPTION



6. FRONT SUSPENSION

2x **L-R**

! ALU pivot ball
BLACK color

! STEEL pivot ball
SILVER color

WD 40

TIP Tighten hex nuts using HUDY tool #107581

OPTION #357253 Brass Adjusting Nut M15x1

DETAIL

PIVOT BALLS MUST MOVE FREELY
During initial assembly, tighten each hex nut until the pivot ball starts to bind, then loosen slightly. Verify that the pivot balls move freely.

357256
SHIM 6x13x1

2x **L-R**

TIP HUDY Tool Allen 2.5mm

1mm

OPTION

FRONT UPPER SUSP. ARMS		
#352133	SOFT	OPTION
#352133-M	MEDIUM	INCLUDED
#352133-G	GRAPHITE	OPTION

SET-UP BOOK
CAMBER
TRACK-WIDTH

2x **L-R**

TIP HUDY Tool Allen 2.5mm

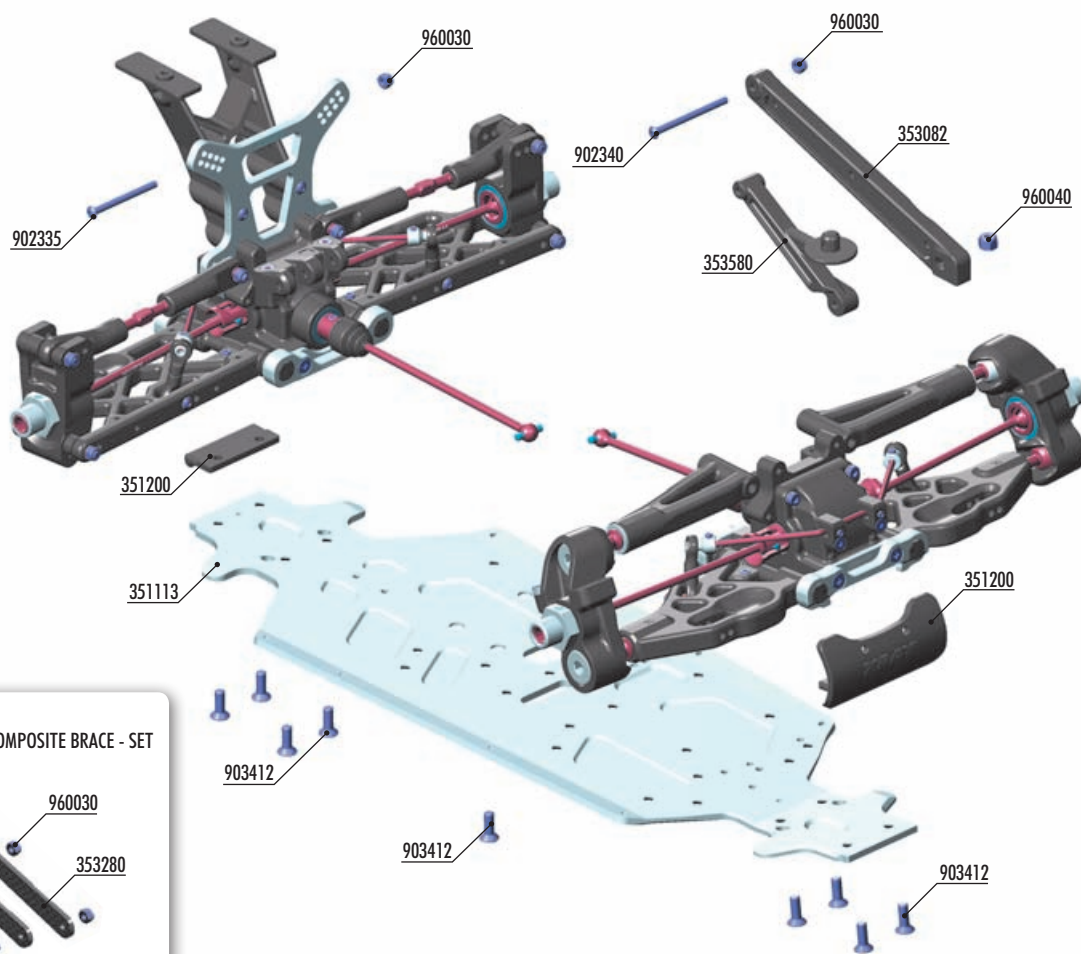
RIGHT

FRONT

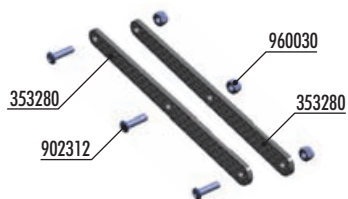
LEFT

SET-UP BOOK
ROLL CENTER

6. FRONT & REAR ASSEMBLY



#353280
OPTION GRAPHITE BRACES FOR REAR COMPOSITE BRACE - SET



BAG

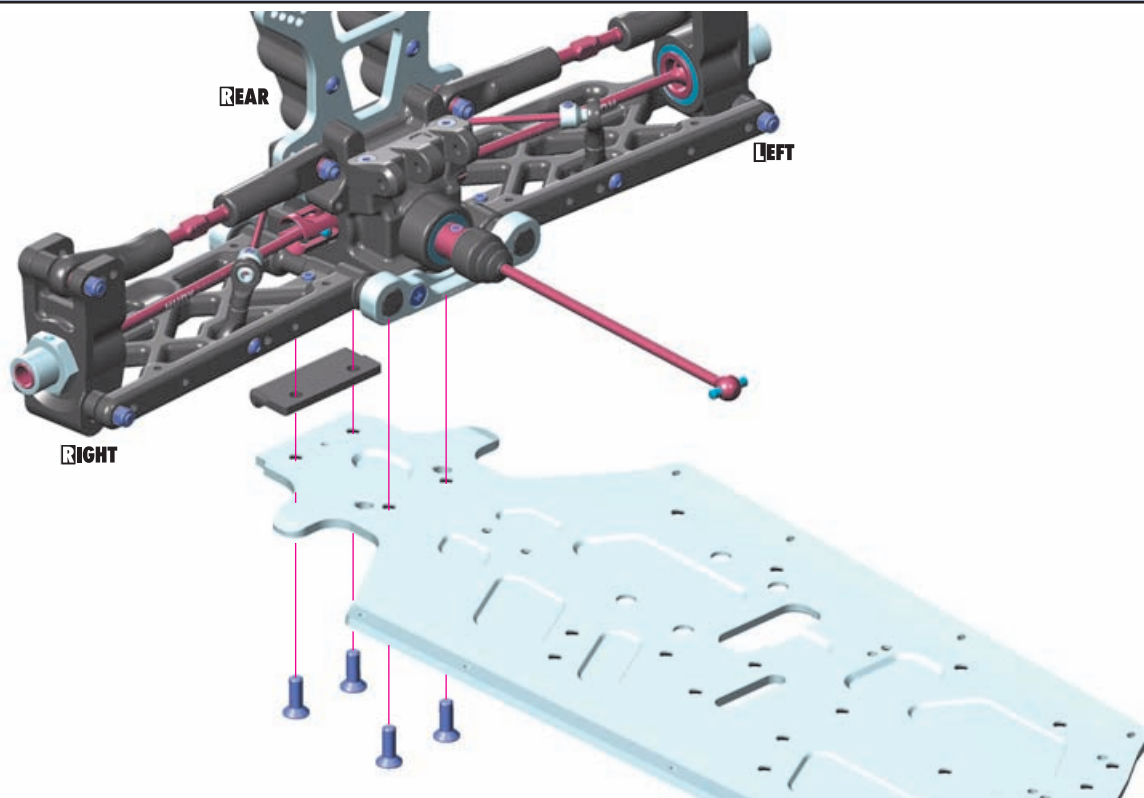
06

351113 XB8'19 ALU CHASSIS - SWISS 7075 T6 (3MM)
351200 FRONT & REAR BUMPER - V2
353082 COMPOSITE REAR BRACE - MEDIUM - M
353580 COMPOSITE WING HOLDER BRACE WITH REAR BODY POST

902335 HEX SCREW SH M3x35 (10)
902340 HEX SCREW SH M3x40 (10)
903412 HEX SCREW SFH M4x12 (10)
960030 NUT M3 (10)
960040 NUT M4 (10)



903412
SFH M4x12



6. FRONT & REAR ASSEMBLY

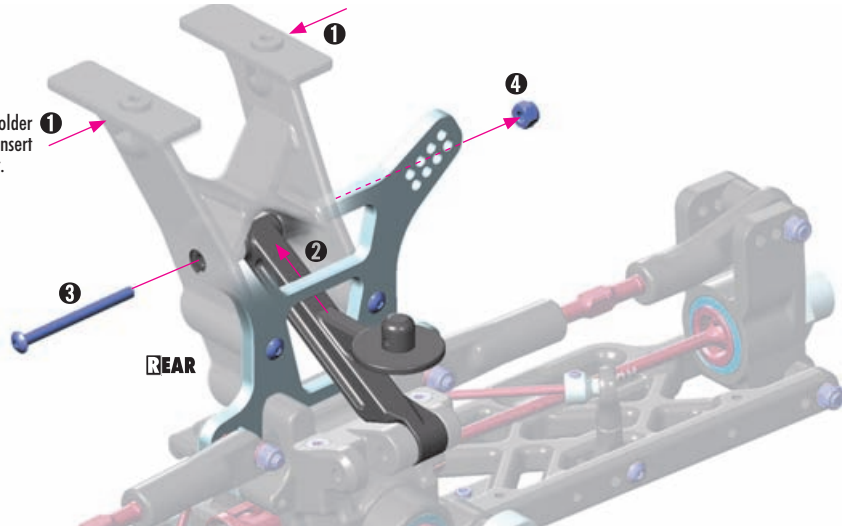


902335
SH M3x35



960030
N M3

Push the top of the holder with fingers together to insert the brace with body post.



902340
SH M3x40

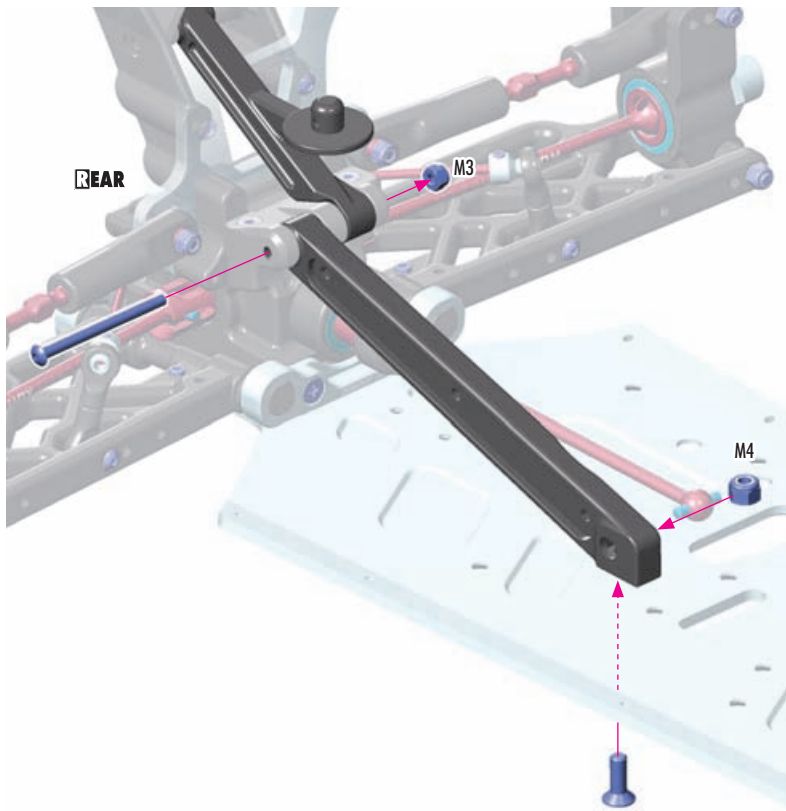


903412
SFH M4x12

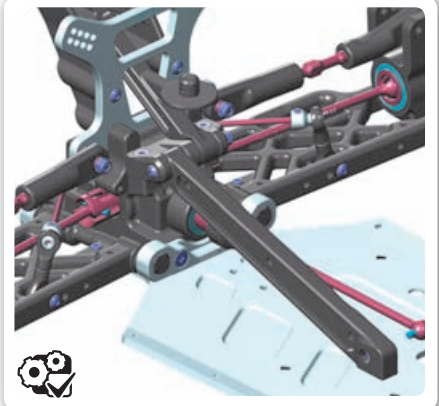


960030 N M3
960040 N M4

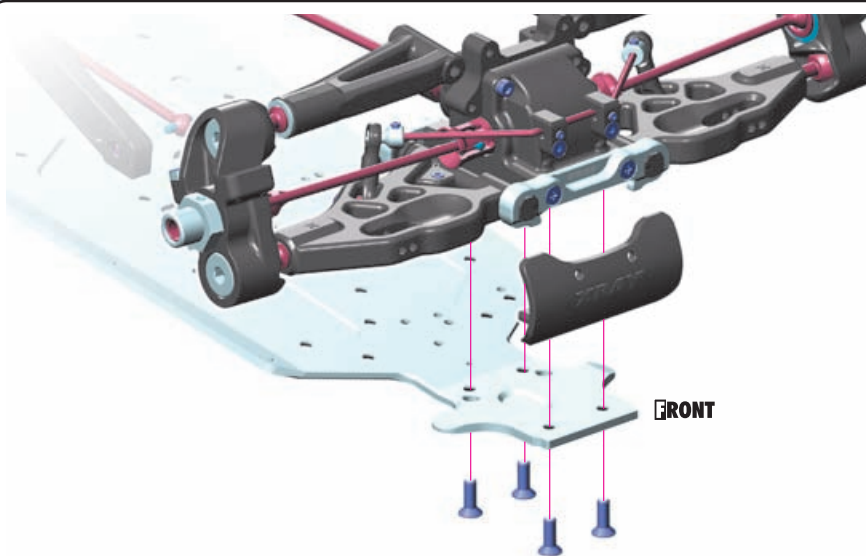
REAR



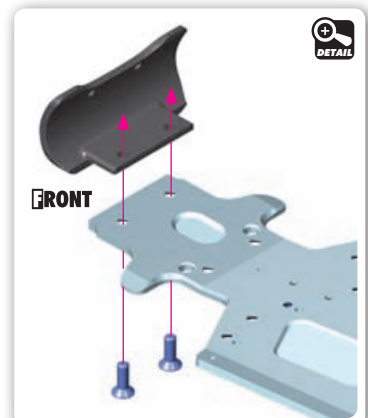
#353280
OPTION GRAPHITE BRACE SET for extra stiffness adjustment.



903412
SFH M4x12



FRONT

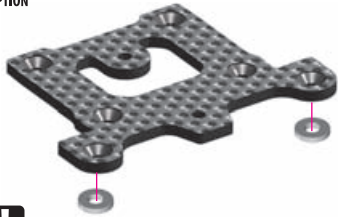


DETAIL

FRONT

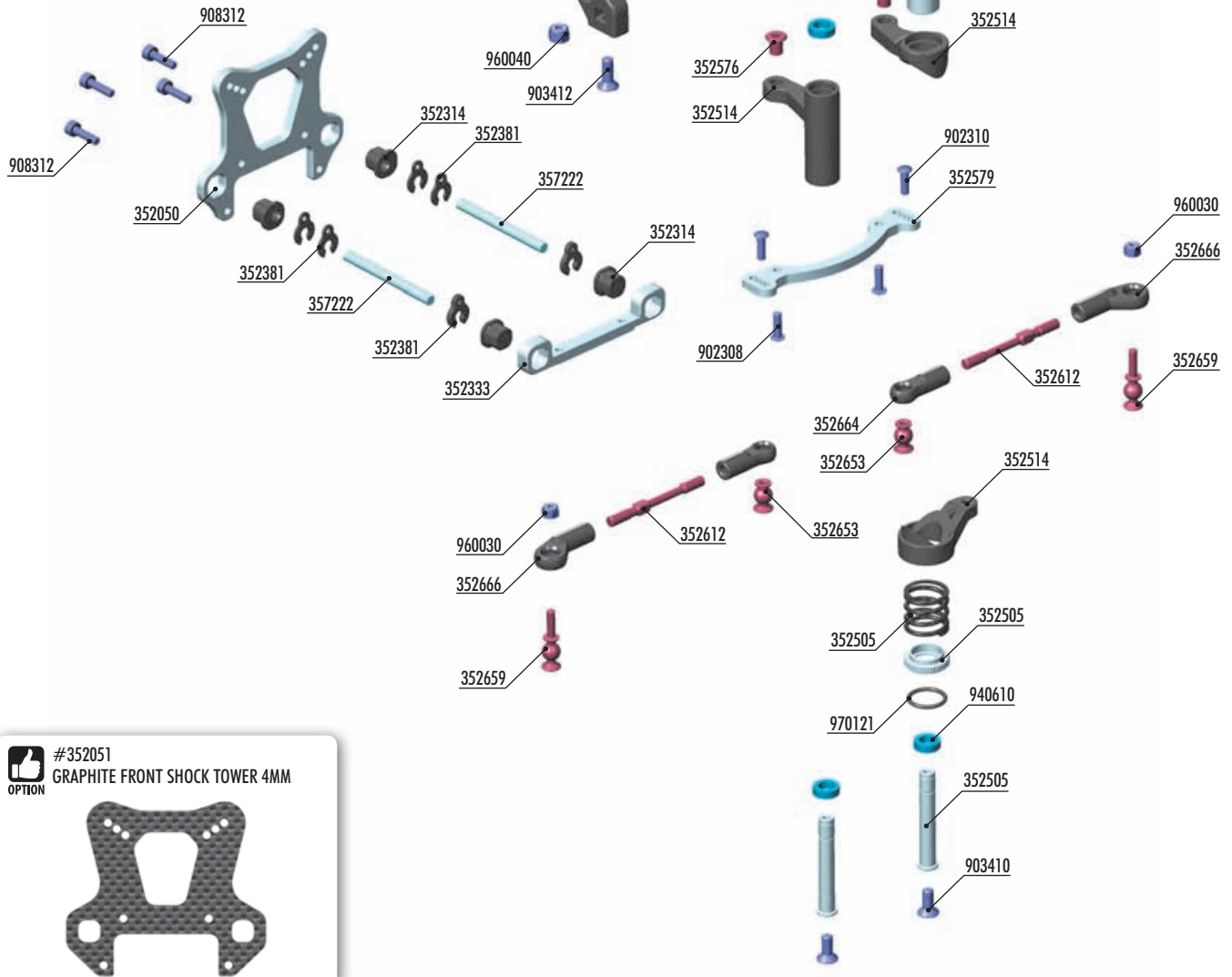
7. STEERING

#351348
GRAPHITE UPPER PLATE
OPTION



NOTE
Must be used also 2pcs of #303136 shim 3x7x1mm.

#352658
BALL STUD 6.8mm WITH BACKSTOP L=6mm - M3x8 (2)
OPTION



#352051
GRAPHITE FRONT SHOCK TOWER 4MM
OPTION



BAG

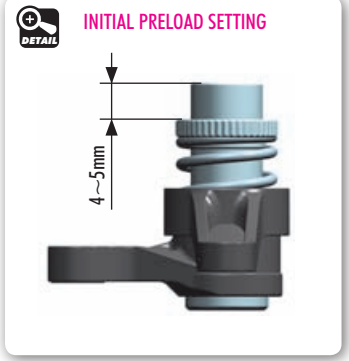
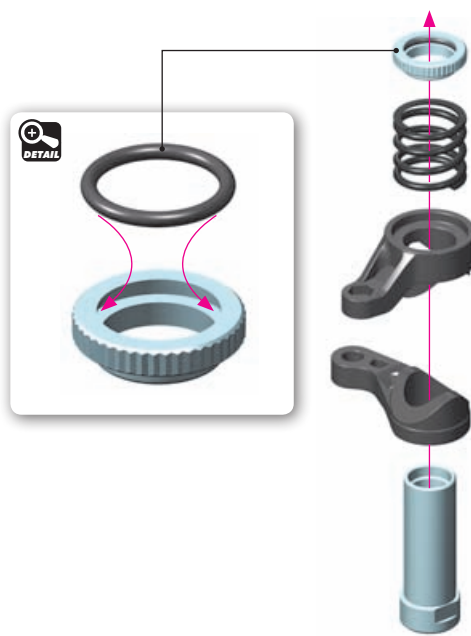
07

351301	BODY POSTS	357222	FRONT UPPER PIVOT PIN 4x45 (2)
351344	COMPOSITE UPPER PLATE	902308	HEX SCREW SH M3x8 (10)
352084	COMPOSITE FRONT BRACE	902310	HEX SCREW SH M3x10 (10)
352050	ALU FRONT SHOCK TOWER - CNC MACHINED 7075 T6 (4MM)	902312	HEX SCREW SH M3x12 (10)
352314	COMPOSITE SQUARE ADJ. ROLL CENTER BUSHINGS - V2 (2)	903308	HEX SCREW SFH M3x8 (10)
352333	ALU FRONT UPPER ARM HOLDER - SWISS 7075 T6 (6MM)	903310	HEX SCREW SFH M3x10 (10)
352381	CASTER CLIPS (2)	903312	HEX SCREW SFH M3x12 (10)
352505	SERVO SAVER COMPLETE SET - GRAPHITE	903410	HEX SCREW SFH M4x10 (10)
352514	COMPOSITE SERVO SAVER - GRAPHITE	903412	HEX SCREW SFH M4x12 (10)
352576	STEERING PLATE BUSHING (2)	908312	HEX SCREW SOCKET HEAD CAP SCH M3x12 (10)
352579	ALU STEERING PLATE - SWISS 7075 T6	940610	BALL-BEARING 6x10x3 RUBBER SEALED - OIL (2)
352612	ADJ. TURNBUCKLE M4 L/R 45 MM - HUDY SPRING STEEL™ (2)	960030	NUT M3 (10)
352653	BALL STUD 6.8MM WITH BACKSTOP - M3 (2)	960040	NUT M4 (10)
352659	BALL STUD 6.8MM WITH BACKSTOP L=6MM - M3x11 (2)	970121	O-RING 12.1 x 1.6 (10)
352664	COMPOSITE STEERING BALL JOINT 6.8MM - V3 (2)		
352666	COMPOSITE RELIEF STEERING BALL JOINT 6.8MM (2)		

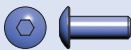
7. STEERING



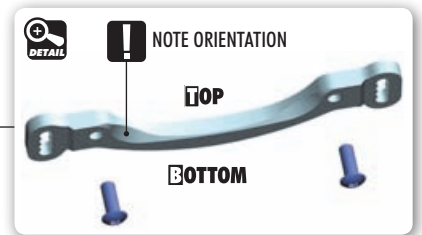
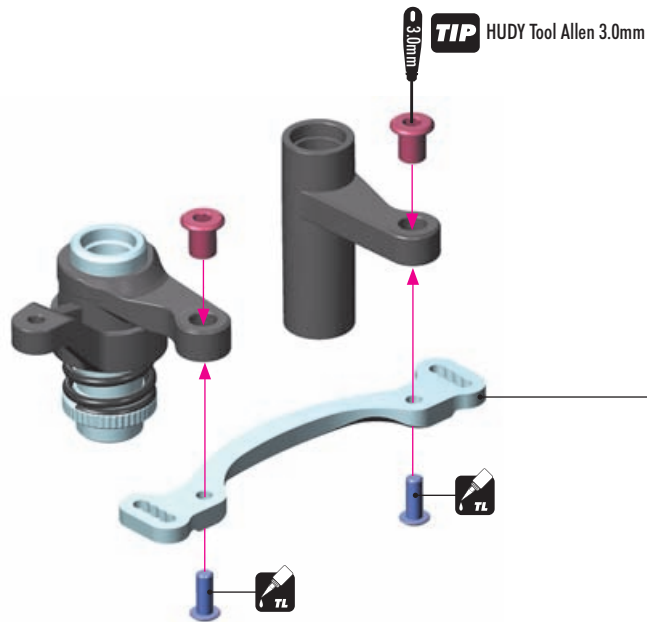
970121
O 12.1x1.6



SET-UP BOOK
SERVO SAVER



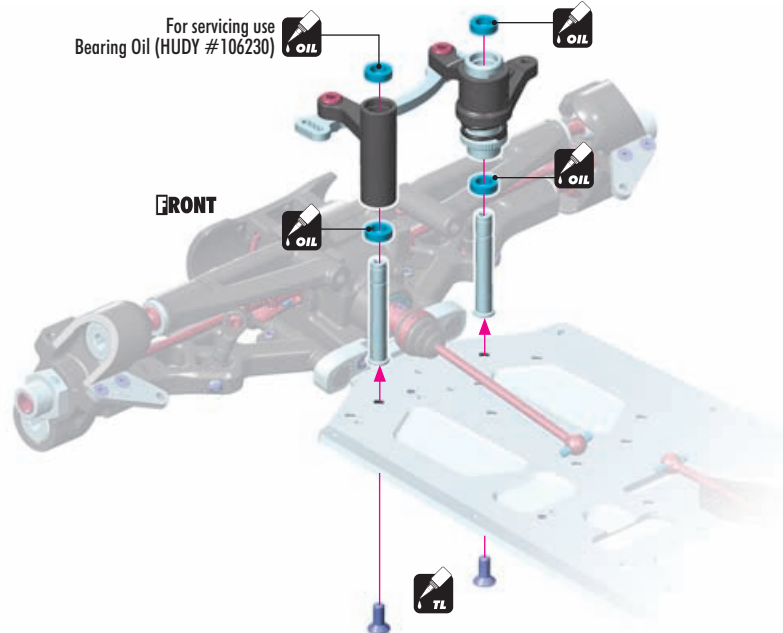
902308
SH M3x8



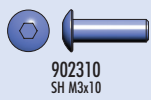
903410
SFH M4x10



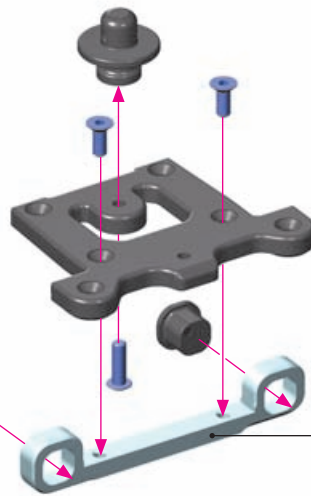
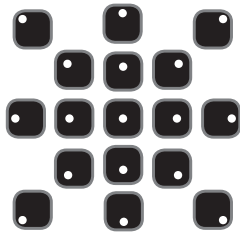
940610
BB 6x10x3



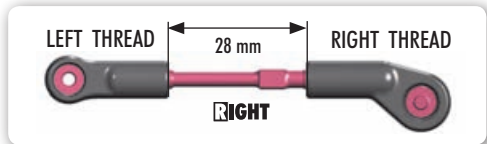
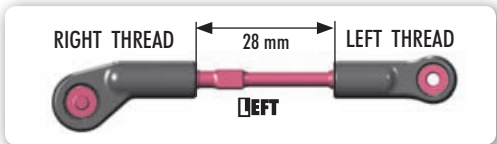
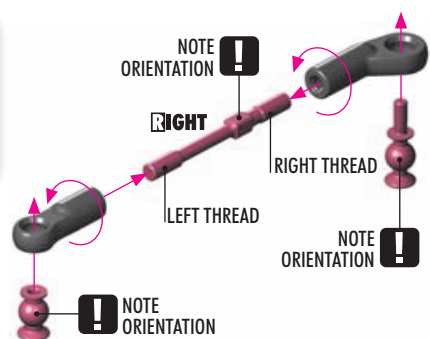
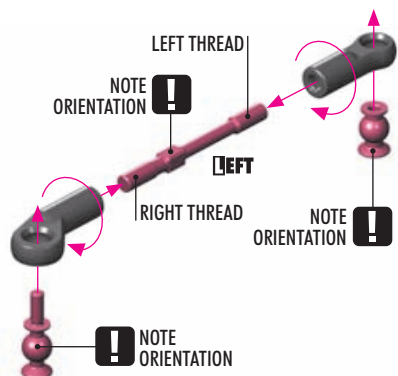
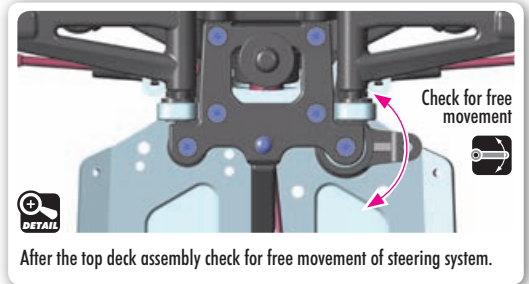
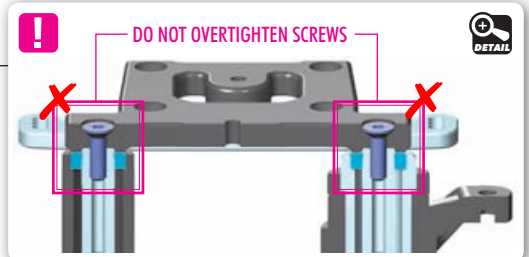
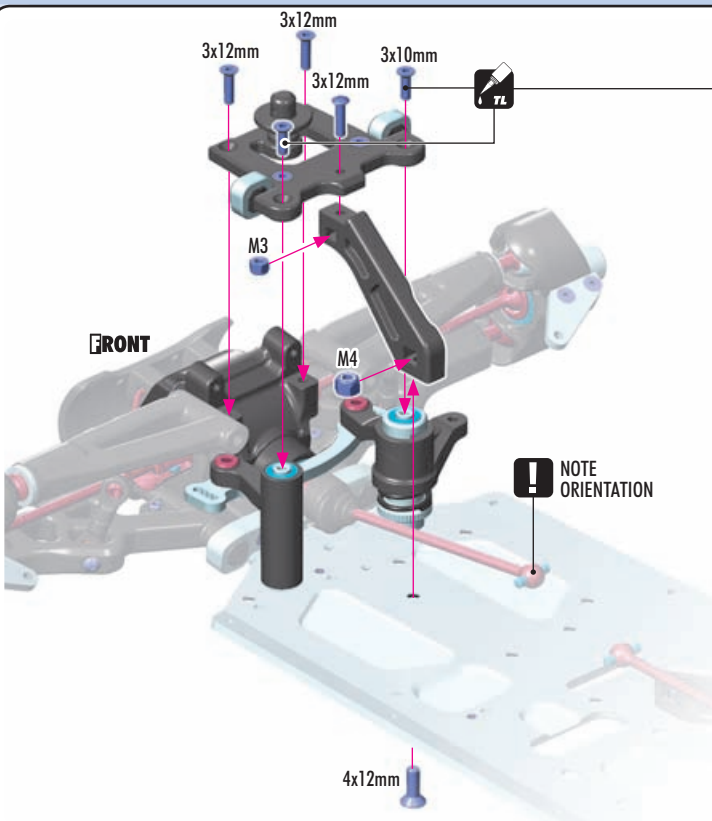
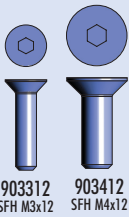
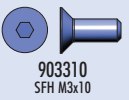
7. STEERING



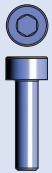
All possible mounting alternatives of eccentric bushings



SET-UP BOOK
ROLL CENTER



7. STEERING



908312
SCH M3x12

FRONT **RIGHT** **LEFT**

1.0mm 1.0mm 2.0mm

NOTE ORIENTATION

INITIAL SETTING

1° 0.5°

All possible mounting alternatives of eccentric bushings

CASTER		
UPPER CLIP (Behind arm)	LOWER SHIM (Behind arm)	
	4mm	2mm
4mm	24°	21°
3mm	25.5°	22.5°
2mm	27°	24°
1mm	28.5°	25.5°
0	30°	27°

#352051
OPTION XB8 GRAPHITE FRONT SHOCK TOWER 4MM

UPPER CLIP
Behind arm

LOWER SHIM
Behind arm

CASTER

F=R

SET-UP BOOK

ROLL CENTER
CASTER



902310
SH M3x10



960030
N M3

2x **L=R**

FRONT **RIGHT** **LEFT**

INITIAL SETTING

NOTE ORIENTATION
Adjustment block towards outside

NOTE ORIENTATION
Adjustment block towards outside

Check for free movement

Check for free movement

SET-UP BOOK

ACKERMANN
BUMPS STEER
TOE-IN

8. CENTER DIFF & MOTOR

Motor (NOT INCLUDED)

358783

355712-17 (NOT INCLUDED)

908312 or 908412

908314

961032

902305

961032

351159

358786

903412

352290

CENTER DIFF

902330

903308

354056

354011

354011

903412

OPTION XRAY PINION GEAR

#355712	12T	OPTION
#355713	13T	OPTION
#355714	14T	OPTION
#355715	15T	OPTION
#355716	16T	OPTION
#355717	17T	OPTION

OPTION #351159-S COMPOSITE CHASSIS SIDE GUARD L+R - SOFT

OPTION #353250 XB8 GRAPHITE BRACE FOR CHASSIS SIDE GUARDS - SET

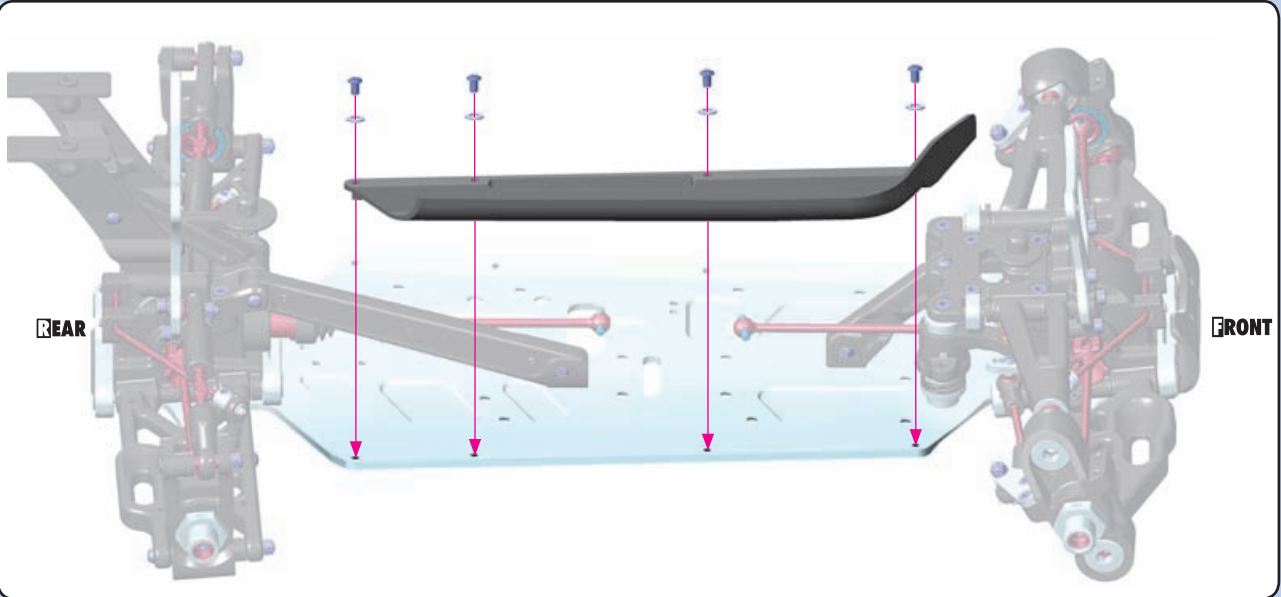
BAG

08

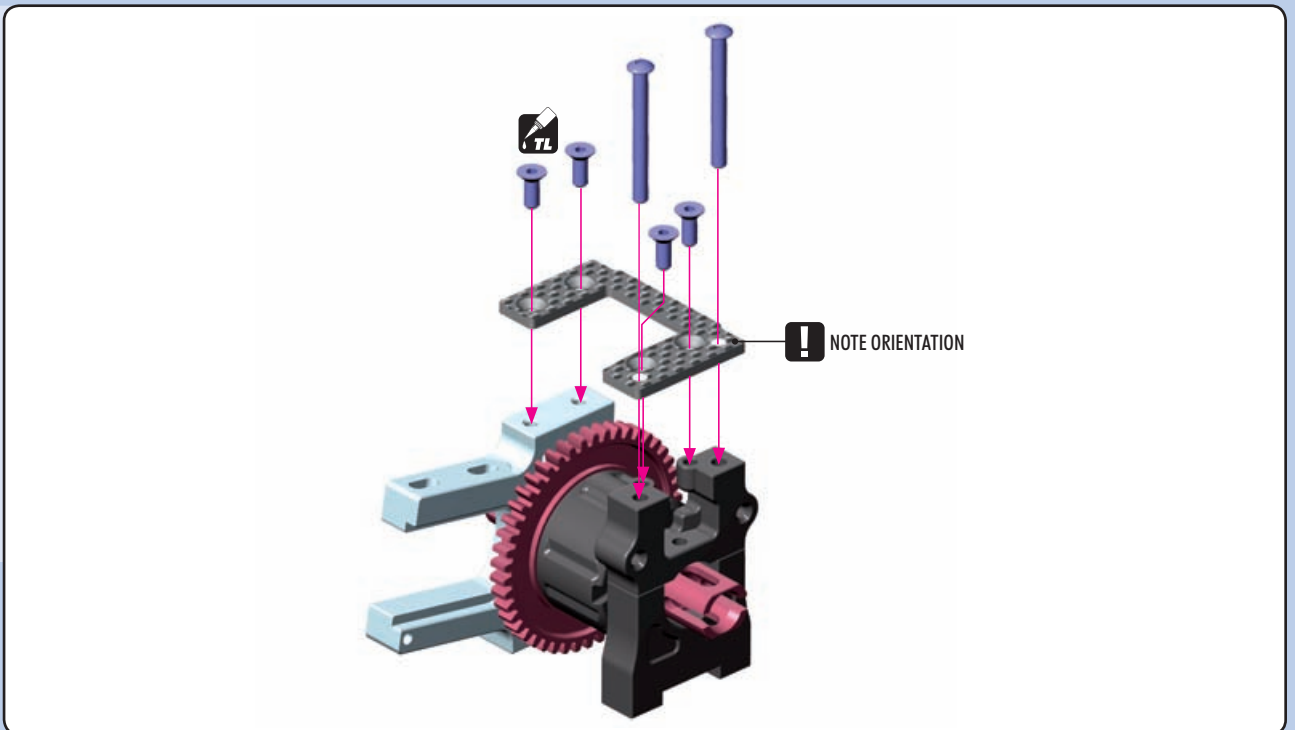
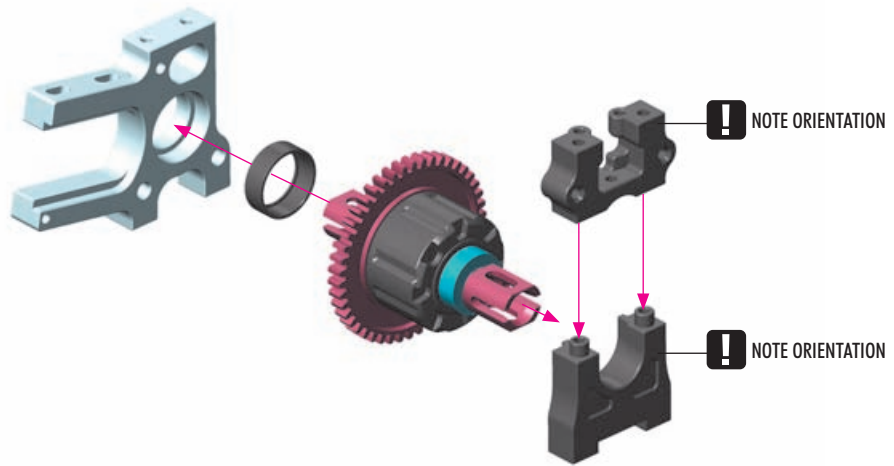
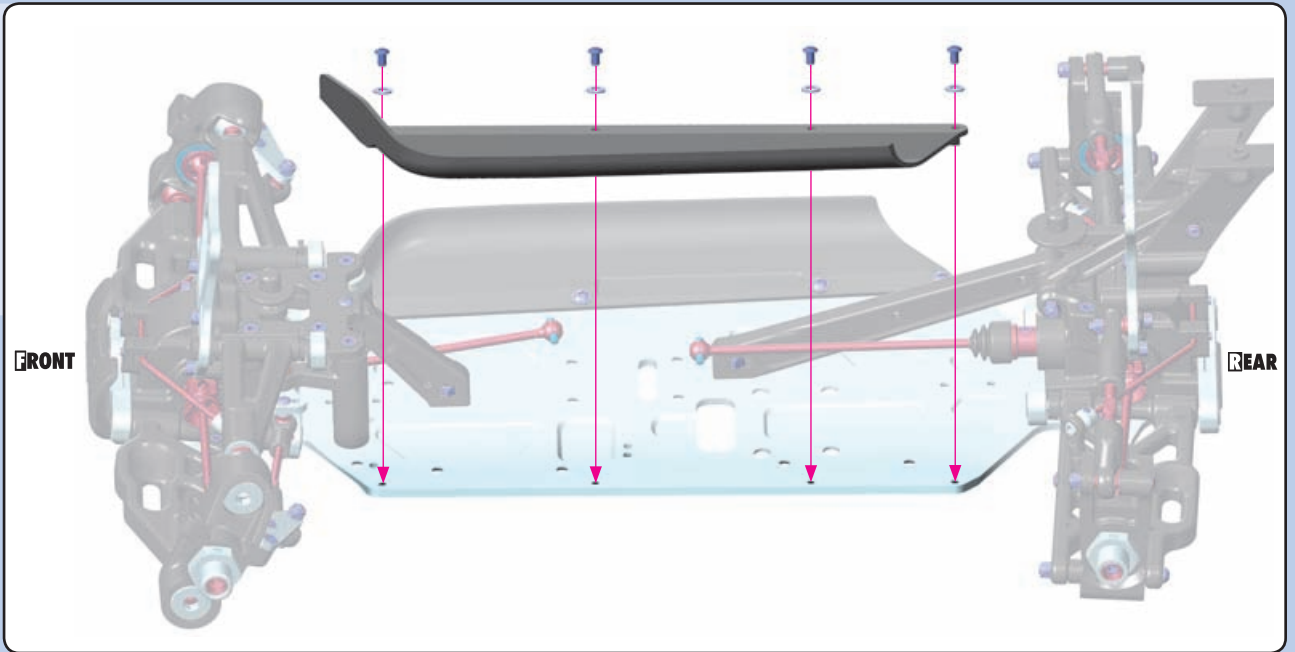
35 1159	CHASSIS SIDE GUARDS L+R	90 2305	HEX SCREW SH M3x5 (10)
35 2290	COMPOSITE BUSHING FOR ALU STEERING BLOCK (4)	90 2330	HEX SCREW SH M3x30 (10)
35 4011	CENTER DIFF MOUNTING PLATE SET - HIGHER	90 3308	HEX SCREW SFH M3x8 (10)
35 4056	GRAPHITE CENTER DIFF MOUNTING PLATE	90 3412	HEX SCREW SFH M4x12 (10)
35 5712~17	XRAY 12~17T PINION GEAR (OPTION)	90 8312	HEX SCREW SOCKET HEAD CAP M3x12 (10)
35 8783	ALU MOTOR MOUNT PLATE - V2	90 8314	HEX SCREW SOCKET HEAD CAP M3x14 (10)
35 8786	XB8E/XT8E ALU MOTOR MOUNT	90 8412	HEX SCREW SOCKET HEAD CAP M4x12 (10)
		96 1032	WASHER S 3.2 (10)

902305
SH M3x5

961032
S 3.2



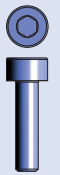
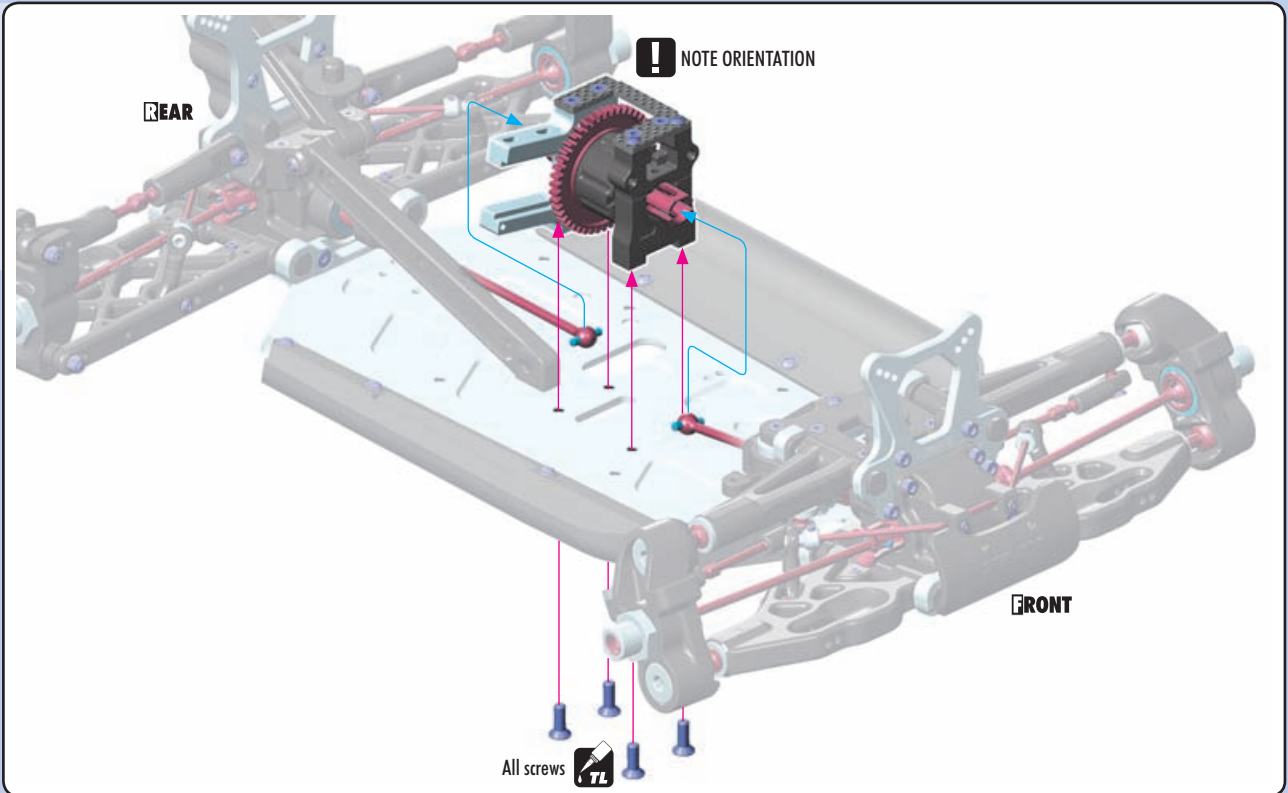
8. CENTER DIFF & BRAKE



8. CENTER DIFF & BRAKE



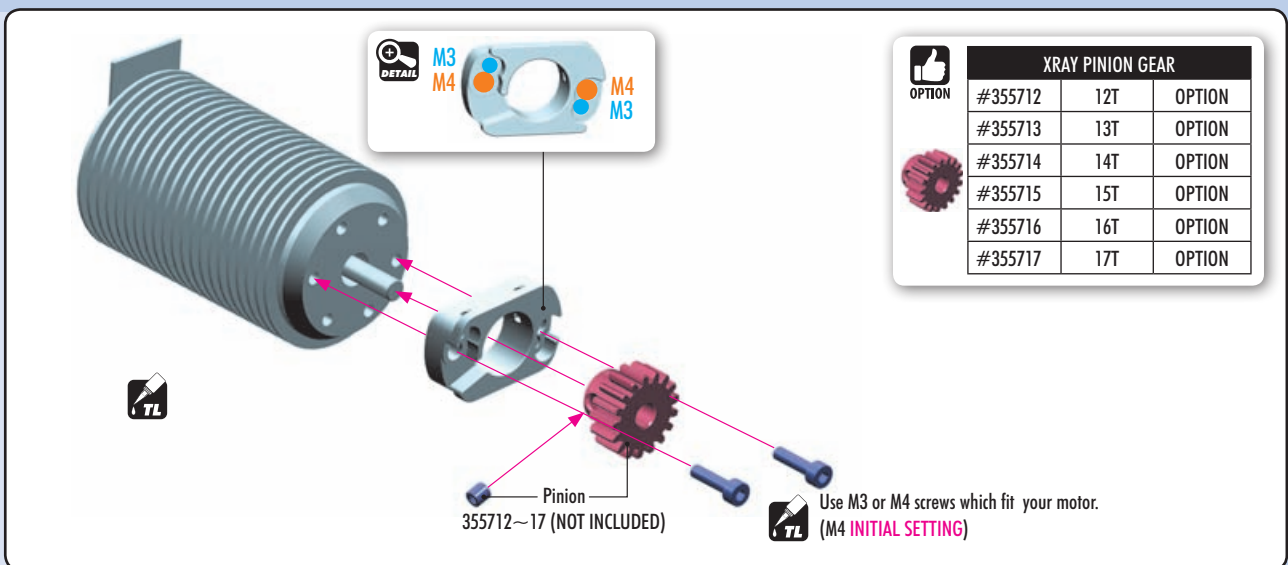
903412
SFH M4x12



908312
SCH M3x12



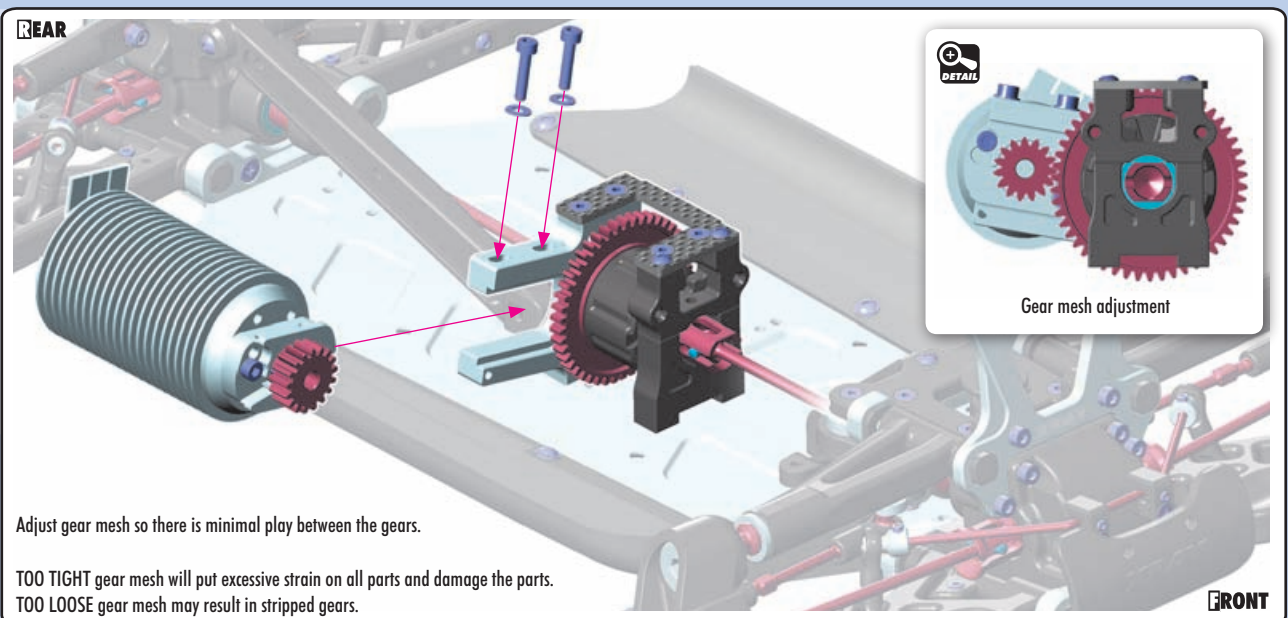
908412
SCH M4x12



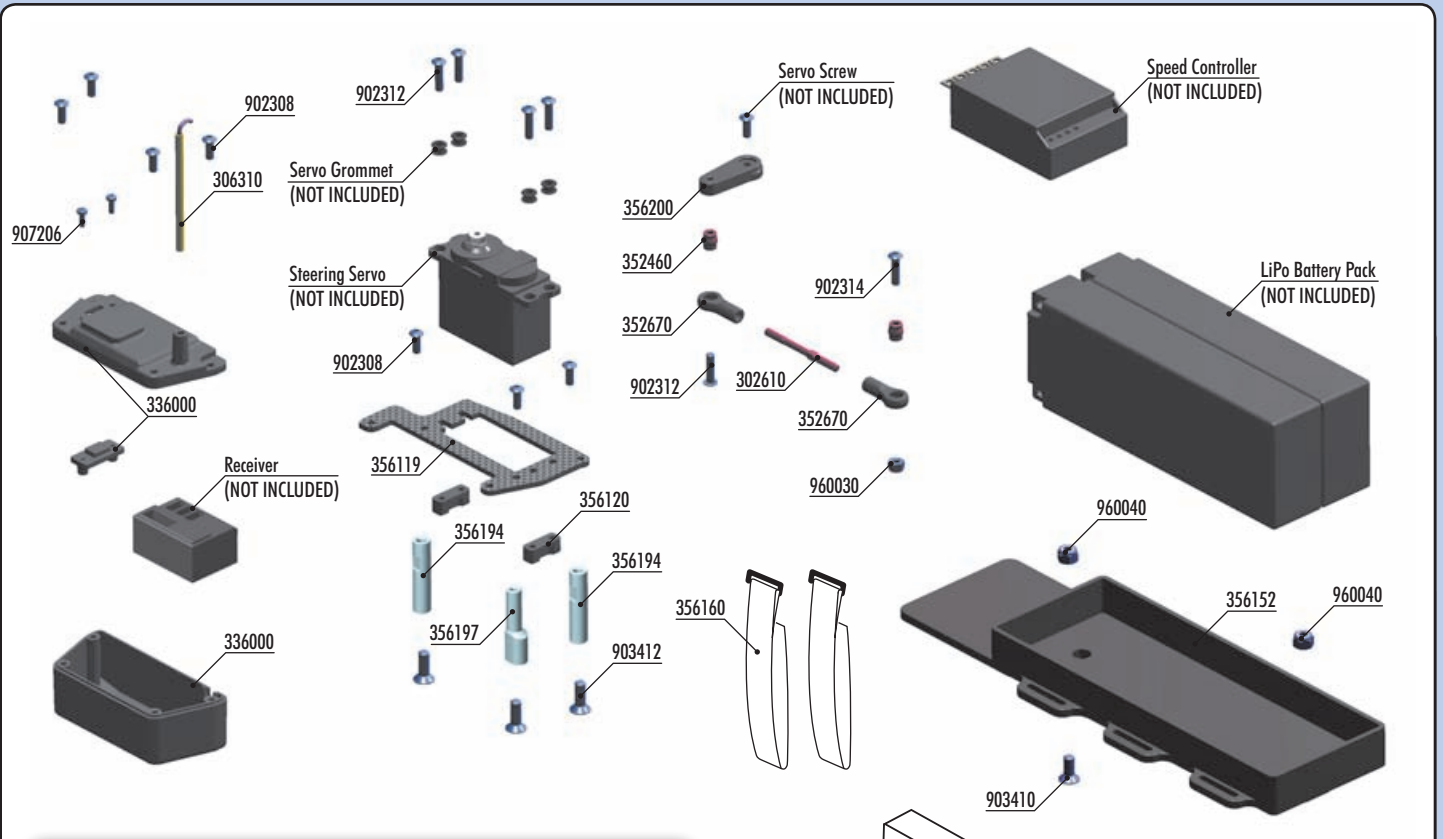
908314
SCH M3x14



961032
S 3.2



10. RADIO CASE



ALU SERVO HORNS		
#293501	23T	OPTION
#293502	24T	OPTION
#293503	25T	OPTION



CLAMP ALU SERVO HORNS		
#293407	23T	OPTION
#293408	24T	OPTION
#293409	25T	OPTION



BAG



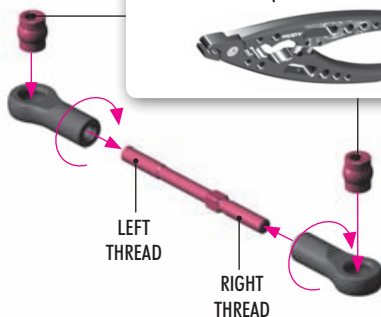
- 30 2610 ADJ. TURNBUCKLE L/R 40 MM - HUDY SPRING STEEL (2)
- 30 6310 ANTENNA TUBE (2)
- 33 6000 COMPOSITE RECEIVER CASE - V2
- 33 6060 RECEIVER SWITCH - SET (OPTION)
- 35 2460 PIVOT BALL 5.8 (10)
- 35 2670 SERVO BALL JOINT 5.8MM (4)
- 35 6119 GRAPHITE RECEIVER CASE TOP PLATE
- 35 6120 STEERING SERVO MOUNT - SET
- 35 6152 COMPOSITE BATTERY PLATE
- 35 6160 VELCRO BATTERY STRAP 20x300MM (2)
- 35 6194 ALU MOUNT FOR RECEIVER BOX
- 35 6197 ALU ECCENTRIC MOUNT FOR RECEIVER BOX

- 35 6200 BRAKE/THROTTLE ARMS & STEERING SERVO ARMS - SET
- 38 9135 CONNECTING CABLE RECEIVER/BATT. PACK (OPTION)
- 90 2308 HEX SCREW SH M3x8 (10)
- 90 2312 HEX SCREW SH M3x12 (10)
- 90 2314 HEX SCREW SH M3x14 (10)
- 90 3410 HEX SCREW SFH M4x10 (10)
- 90 3412 HEX SCREW SFH M4x12 (10)
- 90 7206 SCREW PHILLIPS 2x6 (10)
- 96 0030 NUT M3 (10)
- 96 0040 NUT M4 (10)



902312 SH M3x12

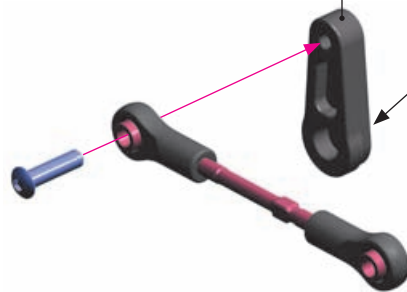
TIP Install the pivot balls with Professional Multi Tool (HUDY #183011)



The length of the linkages varies according to the type of servo.

Use appropriate servo arm:

K - (23T) H - (24T) F - (25T)



! NOTE ORIENTATION



ALU SERVO HORNS		
#293501	23T	OPTION
#293502	24T	OPTION
#293503	25T	OPTION



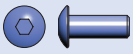
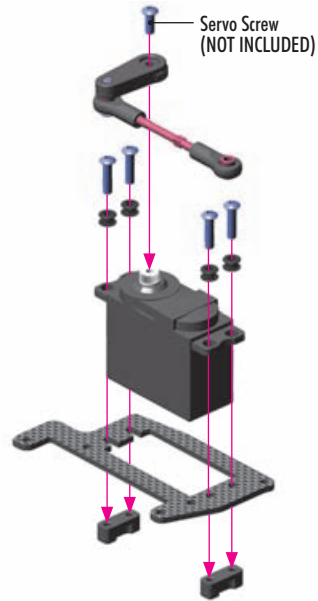
CLAMP ALU SERVO HORNS		
#293407	23T	OPTION
#293408	24T	OPTION
#293409	25T	OPTION



10. RADIO CASE



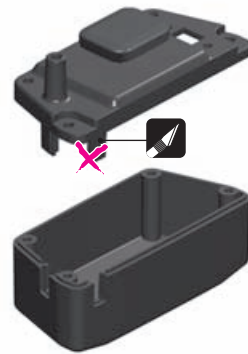
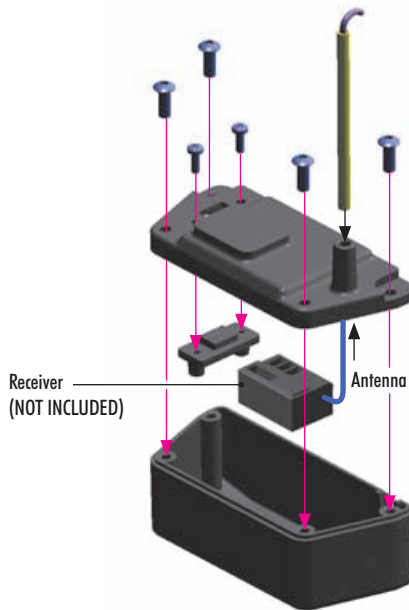
902312
SH M3x12



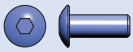
902308
SH M3x8



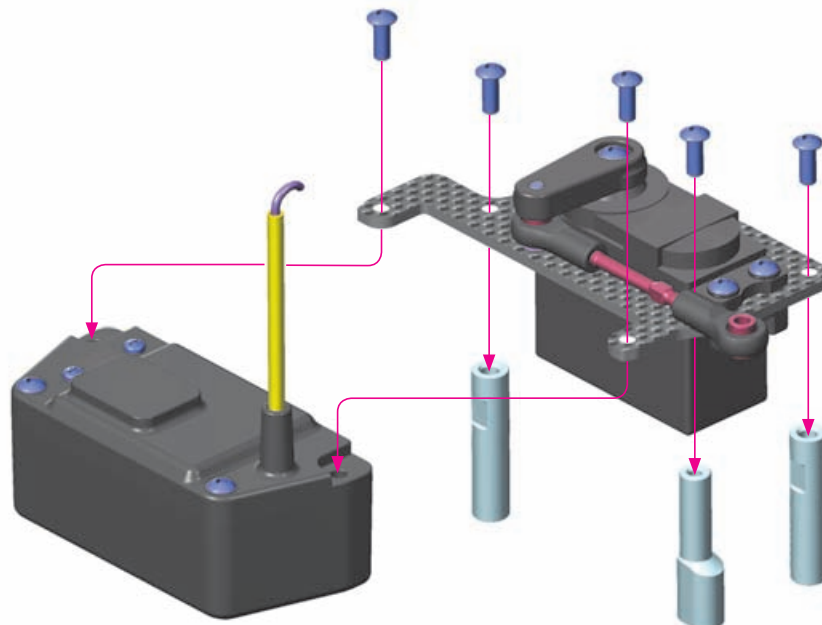
907206
2x6



If the receiver box has 2 different-size openings for cable entry (narrow and wider), cut away the tab for the appropriate opening to allow the cables to fit properly.



902308
SH M3x8



10. RADIO CASE



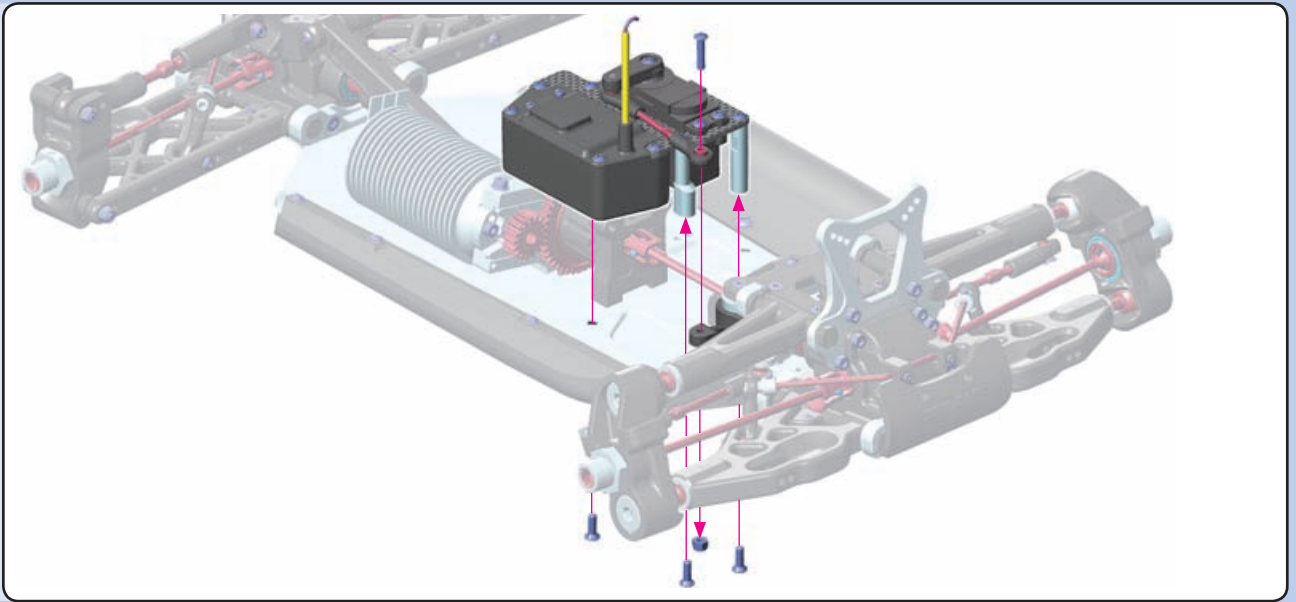
902314
SH M3x14



903412
SFH M4x12



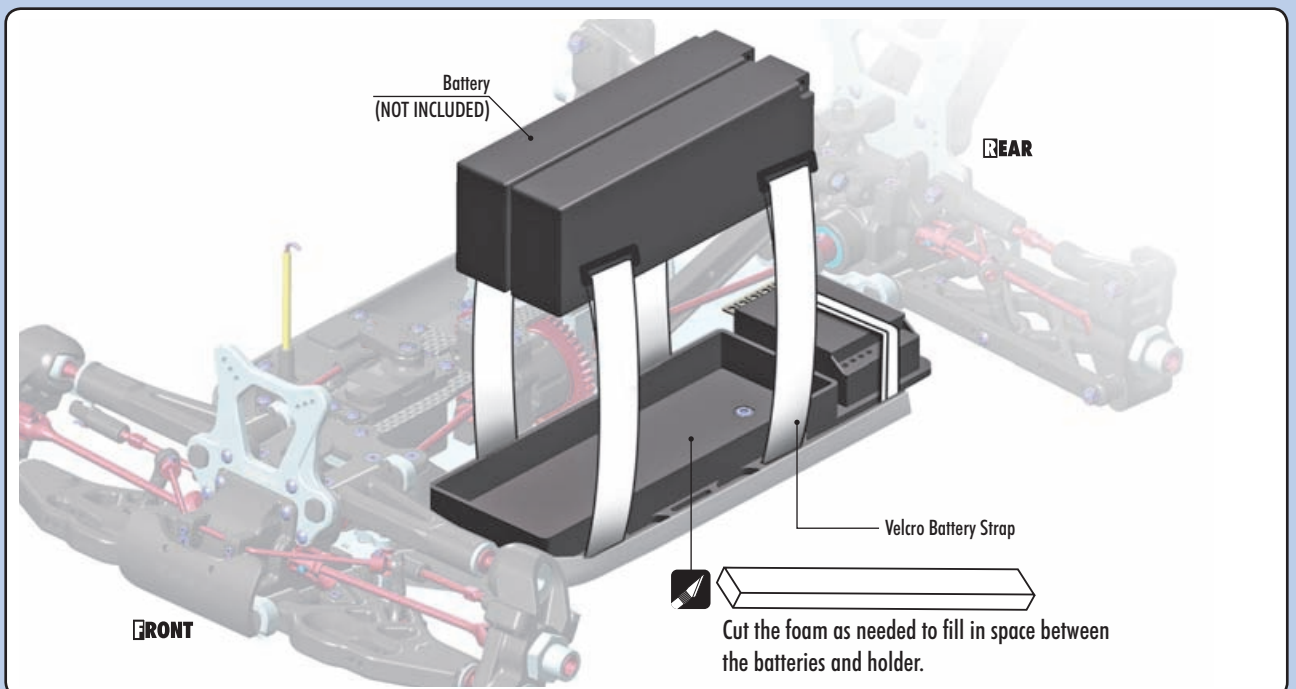
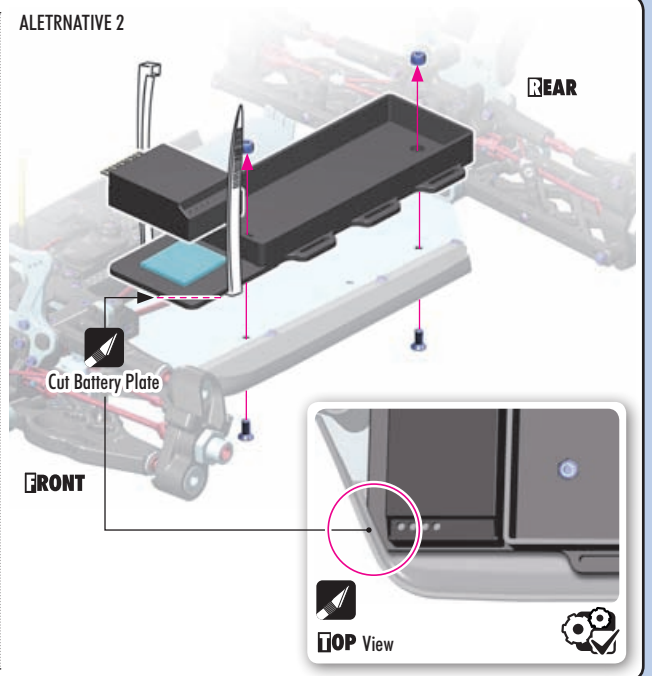
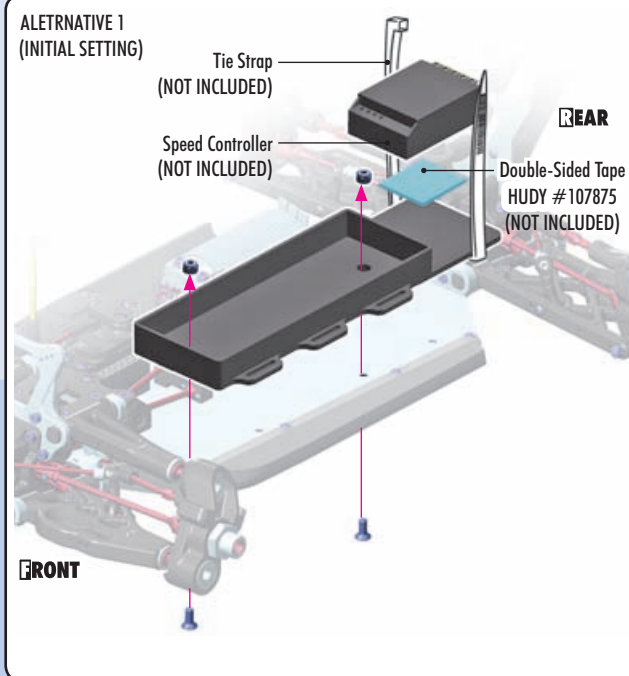
960030
N M3



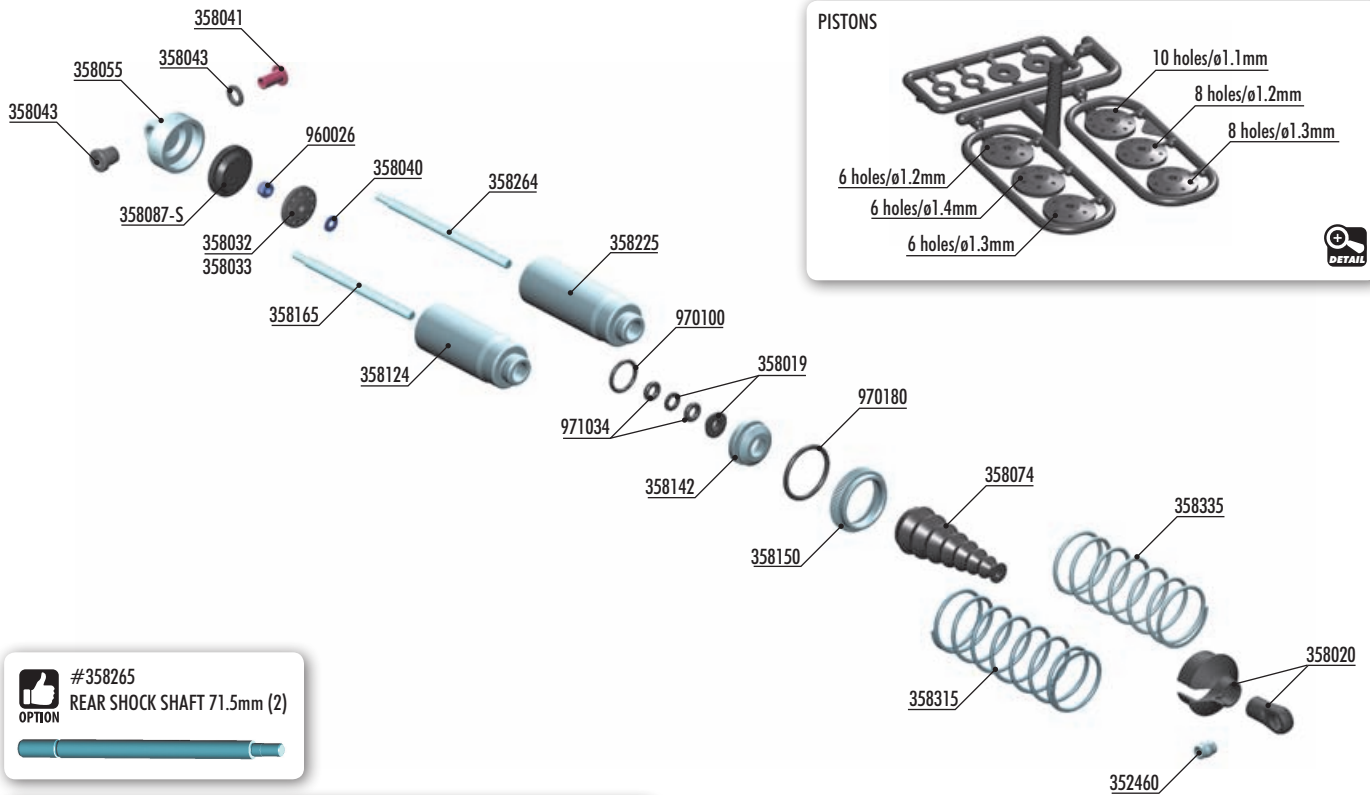
903410
SFH M4x10



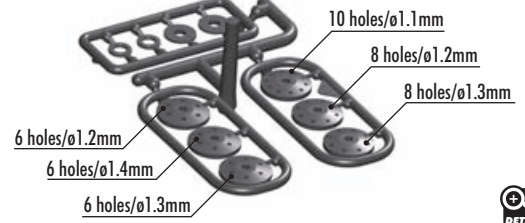
960040
N M4



11. SHOCK ABSORBERS



PISTONS



#358265
REAR SHOCK SHAFT 71.5mm (2)

#358027 PISTON 5-HOLE (1.5mm) & 2-HOLE (1.0mm) (4)
#358028 PISTON 6-HOLE (1.3mm) & 2-HOLE (1.1mm) (4)
#308029 PISTON 6-HOLE (1.4mm) & 2-HOLE (1.1mm) (4)
#358030 PISTON 8-HOLE (1.2mm) & 2-HOLE (1.2mm) (4)
#358031 PISTON 8-HOLE (1.3mm) & 2-HOLE (1.2mm) (4)

FRONT LINEAR SPRINGS

Part #	C	Color	Length	Option
#358182	C=0.65	White	SHORT	OPTION
#358183	C=0.70	Grey	SHORT	OPTION
#358184	C=0.75	Silver	SHORT	OPTION
#358185	C=0.80	Grey-Blue	SHORT	OPTION
#358186	C=0.86	Blue	SHORT	OPTION
#358187	C=0.92	Violet	SHORT	OPTION
#358188	C=0.98	Purple	SHORT	OPTION

REAR LINEAR SPRINGS

Part #	C	Color	Length	Option
#358282	C=0.47	White	LONG	OPTION
#358283	C=0.50	Grey	LONG	OPTION
#358284	C=0.53	Silver	LONG	OPTION
#358285	C=0.57	Grey-Blue	LONG	OPTION
#358286	C=0.61	Blue	LONG	OPTION
#358287	C=0.65	Violet	LONG	OPTION
#358288	C=0.70	Purple	LONG	OPTION

SHOCK SPRINGS

Part #	C	Pattern	Position	Option
#358315	C=0.77-0.80	3 DOTS	FRONT	INCLUDED
#358316	C=0.80-0.83	4 DOTS	FRONT	OPTION
#358317	C=0.83-0.86	5 DOTS	FRONT	OPTION
#358335	C=0.68-0.70	3 DOTS	REAR	INCLUDED
#358336	C=0.70-0.73	4 DOTS	REAR	OPTION

FRONT & REAR PROGRESSIVE SPRINGS

Part #	C	Pattern	Length	Option
#358174	C=0.7-0.8	Grey	SHORT	OPTION
#358274	C=0.5-0.6	Grey	MEDIUM	OPTION
#358275	C=0.65-0.7	1 STRIPE	MEDIUM	OPTION
#358276	C=0.7-0.75	2 STRIPES	MEDIUM	OPTION
#358277	C=0.72-0.8	3 STRIPES	MEDIUM	OPTION
#358278	C=0.75-0.83	4 STRIPES	MEDIUM	OPTION

REAR PROGRESSIVE SPRINGS

Part #	C	Pattern	Length	Option
#358279	C=0.55-0.63	2 STRIPES	LONG	OPTION
#358280	C=0.6-0.68	3 STRIPES	LONG	OPTION
#358281	C=0.65-0.7	4 STRIPES	LONG	OPTION

#104005
HUDY AIR VAC - VACUUM PUMP
- 1/8 OFF-ROAD



#358054
XB8 ALU SHOCK CAP NUT WITH
VENT HOLE - BLACK COATED (2)



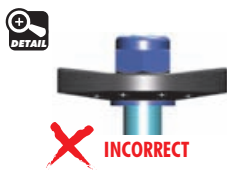
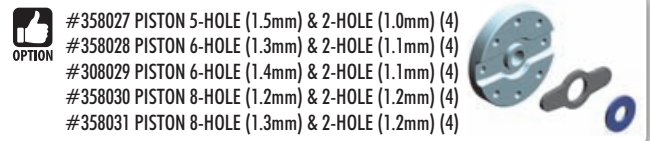
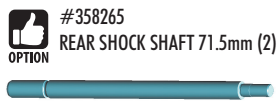
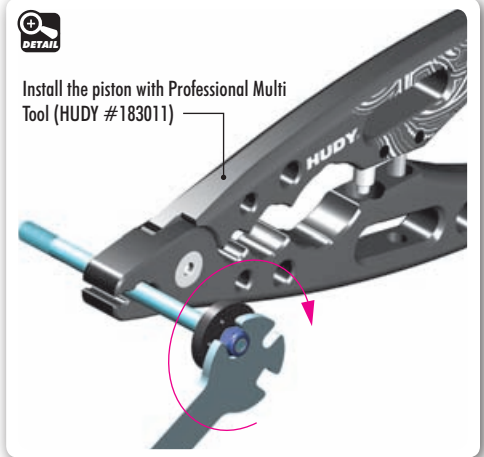
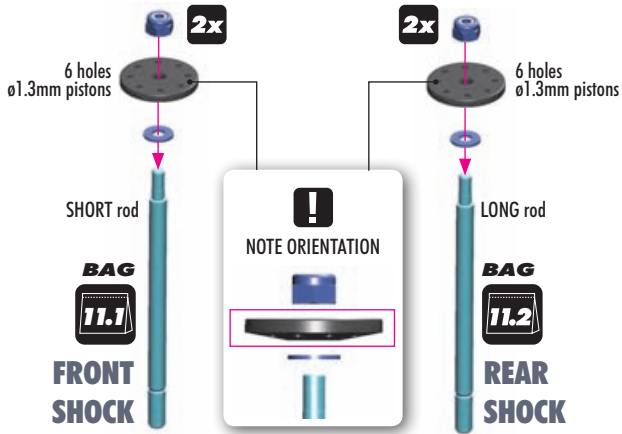
BAGS



- 352460 PIVOT BALL 5.8 - V3 (10)
- 358019 COMPOSITE SET OF SHIMS FOR SHOCKS - V2 (2)
- 358020 COMPOSITE SHOCK PARTS
- 358032 SHOCK PISTON SET 8-HOLE (1.2; 1.3) 10-H. (1.1MM) - DELRIN - V2
- 358033 COMPOSITE SHOCK 6-HOLE PISTON SET (1.2; 1.3; 1.4MM) - DELRIN - V2
- 358040 HARDENED SHOCK SHIMS (4)
- 358041 STEEL SHOCK BUSHING (2)
- 358043 COMPOSITE SHOCK BUSHING & SHIM (2+2)
- 358055 ALU SHOCK CAP NUT WITH 4 VENT HOLES - BLACK COATED (2)
- 358074 FOLDING SHOCK BOOT (4)
- 358087-S SHOCK RUBBER MEMBRANE CELL - SOFT (4)
- 358124 ALU FRONT SHOCK BODY - HARD COATED (2)

- 358142 ALU SHOCK BODY NUT FOR SHOCK BOOT (2)
- 358150 ALU SHOCK BODY ADJ. NUT (2)
- 358165 FRONT SHOCK SHAFT 61mm (2)
- 358225 ALU REAR SHOCK BODY - HARD COATED (2)
- 358264 REAR SHOCK SHAFT 67.5mm (2)
- 358315 XRAY FRONT SPRING 69MM - 3 DOTS (2)
- 358335 XRAY REAR SPRING 85MM - 3 DOTS
- 960026 NUT M2.5 - SHORT (10)
- 970100 O-RING 10 x 1.5 (10)
- 970180 O-RING 18 x 1.8 (10)
- 971034 SILICONE O-RING 3.5x2 (10)

11. SHOCK ABSORBERS



DO NOT OVERTIGHTEN

The self-locking nut is overtightened, causing distortion of the piston. This will negatively affect the free movement of the piston in the shock body.



TIGHTEN GENTLY

The self-locking nut is gently tightened. The piston remains undistorted and fits inside the shock body perfectly, ensuring smooth movement of the piston.

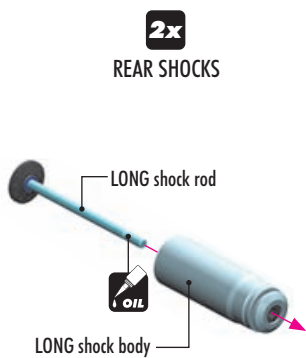
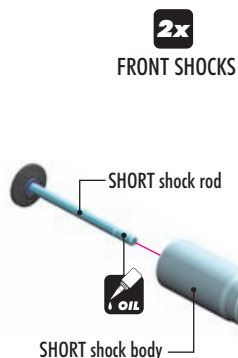
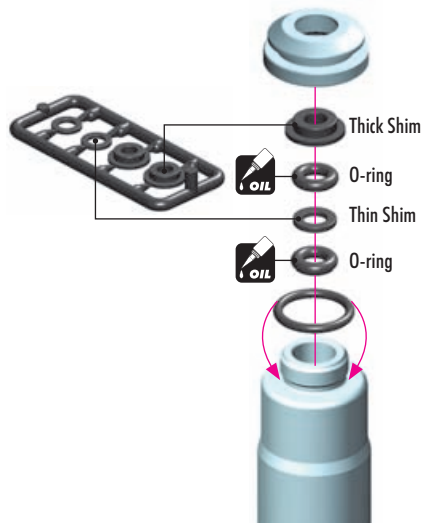
SET-UP BOOK
SHOCK DAMPING
SHOCK PISTONS



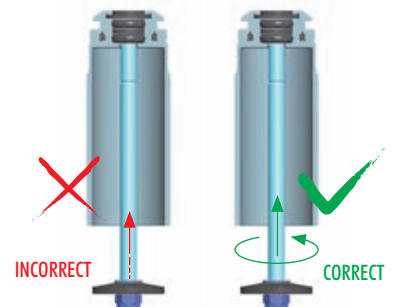
2x FRONT SHOCKS (SHORT)

2x REAR SHOCKS (LONG)

There are two different thickness shims, use them as shown. Use the same procedure when building both front and rear shocks.



EXTREMELY IMPORTANT



Do not push the shock rod straight through the lower shock body assembly; O-ring damage may result.

Twist the shock rod through the lower shock body assembly.

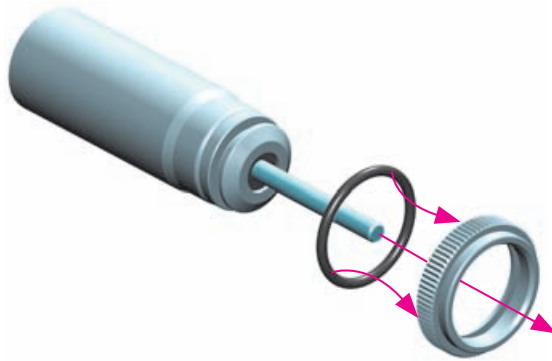
11. SHOCK ABSORBERS



970180
Ø 18x1.8

2x FRONT SHOCKS

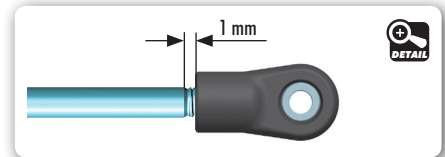
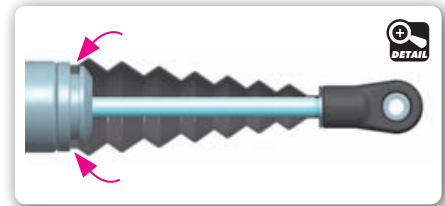
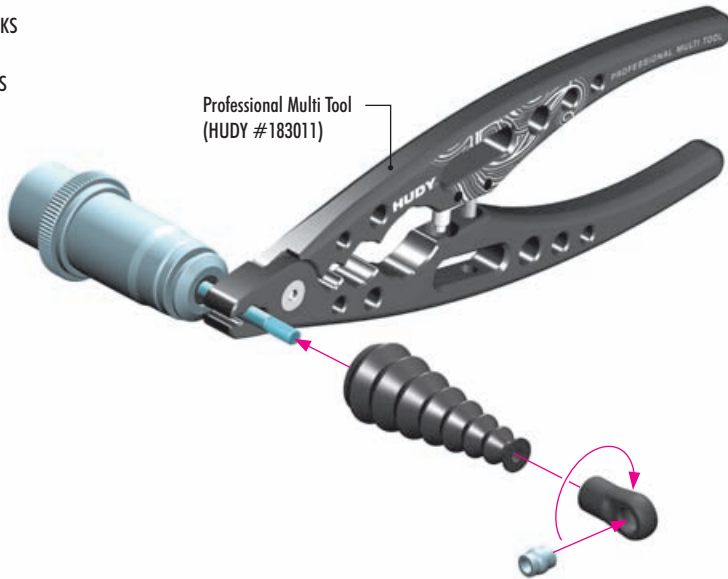
2x REAR SHOCKS



2x FRONT SHOCKS

2x REAR SHOCKS

Professional Multi Tool
(HUDY #183011)



DEFAULT SHOCK REBOUND SETTING 0% (LOW REBOUND)

Follow the steps below to set the shock rebound to the default setting of 0%.

2x FRONT (SHORT)

Oil 450cSt

2x REAR (LONG)

Oil 350cSt

SET-UP BOOK
SHOCK OIL



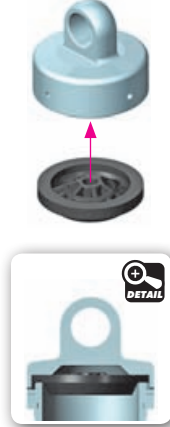
1 Extend the shock shaft completely. Fill the shock body with the shock oil. For the FRONT shocks (short) use 450cSt oil. For the REAR shocks (long) use 350cSt oil.



2 Move the shock shaft up and down a few times to release the air bubbles trapped beneath the piston.



3 Orient the filled shock vertically for several minutes with the shock shaft fully extended. The remaining air bubbles will release.



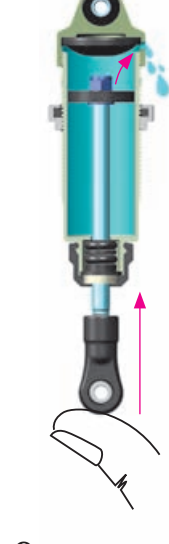
4 Install the shock membrane into the groove in the upper shock cap.

HALF TIGHTEN

50%



5 Gently place the shock cap assembly onto the filled shock body. Excess oil will spill from the shock. Screw the shock cap onto the body by only a few turns.



6 Gently push the shock shaft completely into the shock body. Excess oil will flow through the hole in the shock cap.

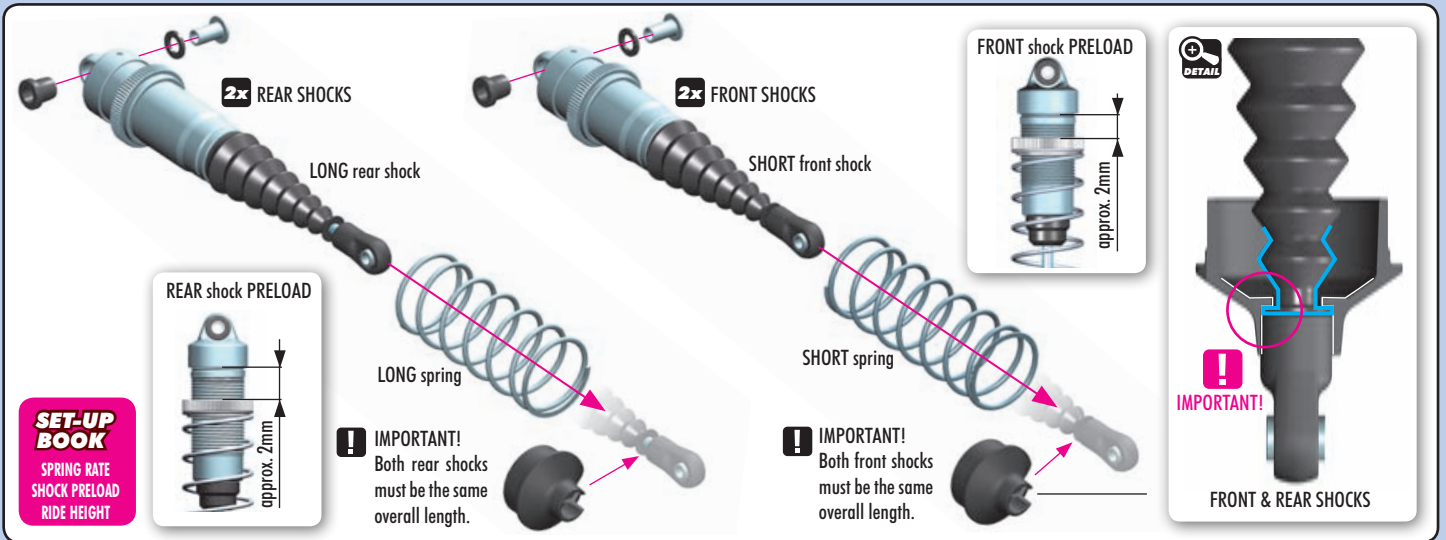
TIGHTEN FULLY

100%



7 Keep the shock shaft pushed in the shock body and tighten the shock cap completely. The rebound will be at approximately 0%.

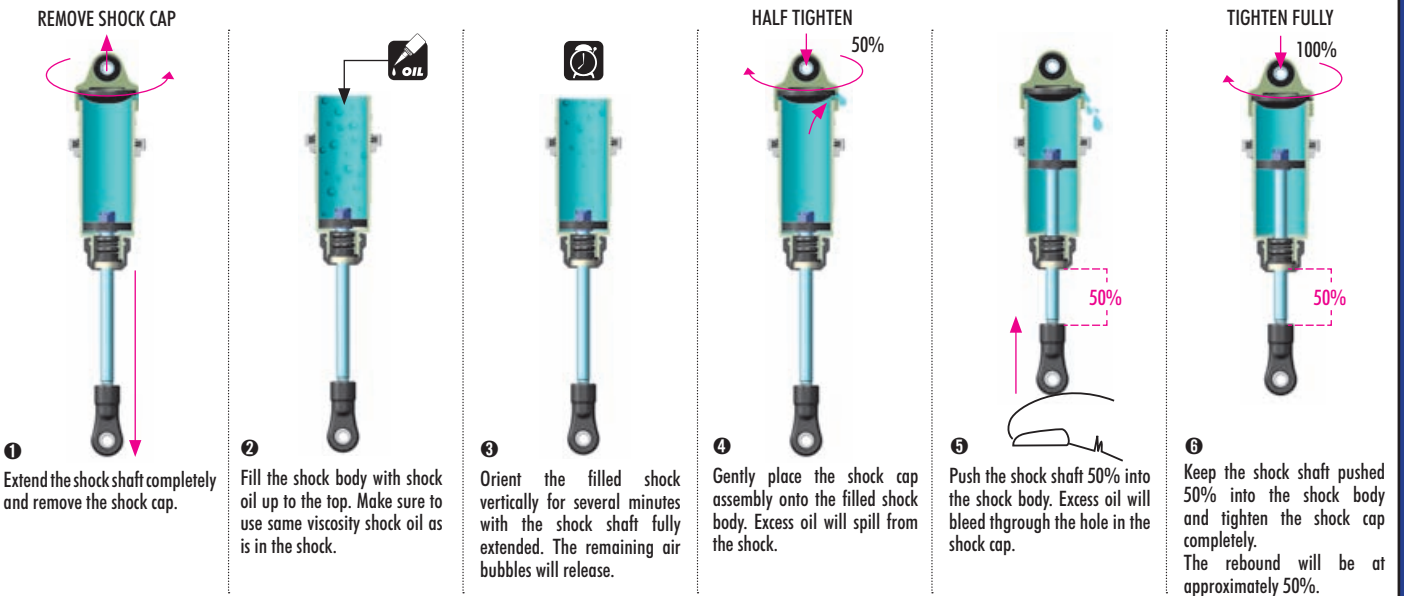
11. SHOCK ABSORBERS



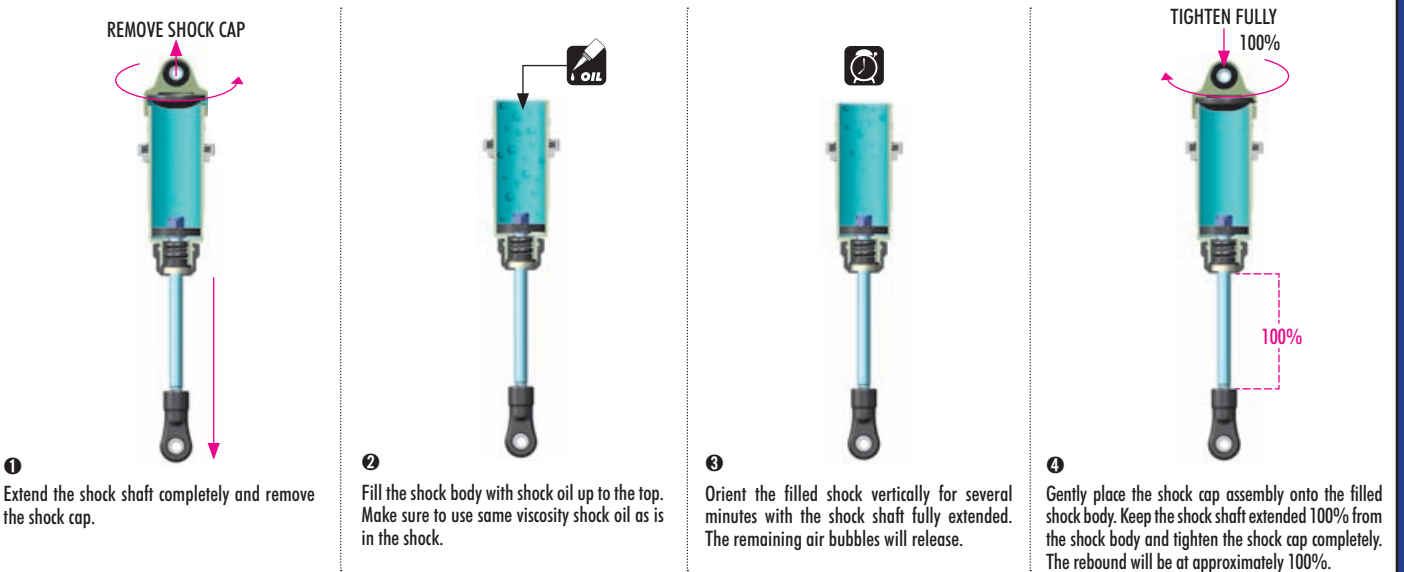
TIP ALTERNATE SHOCK REBOUND SETTING (50% AND 100%)

The default shock rebound setting is 0% (as described on page 40). Alternatively, you may set the shock rebound setting to 50% or 100% as described below. Remove the shock springs before performing shock rebound adjustment.

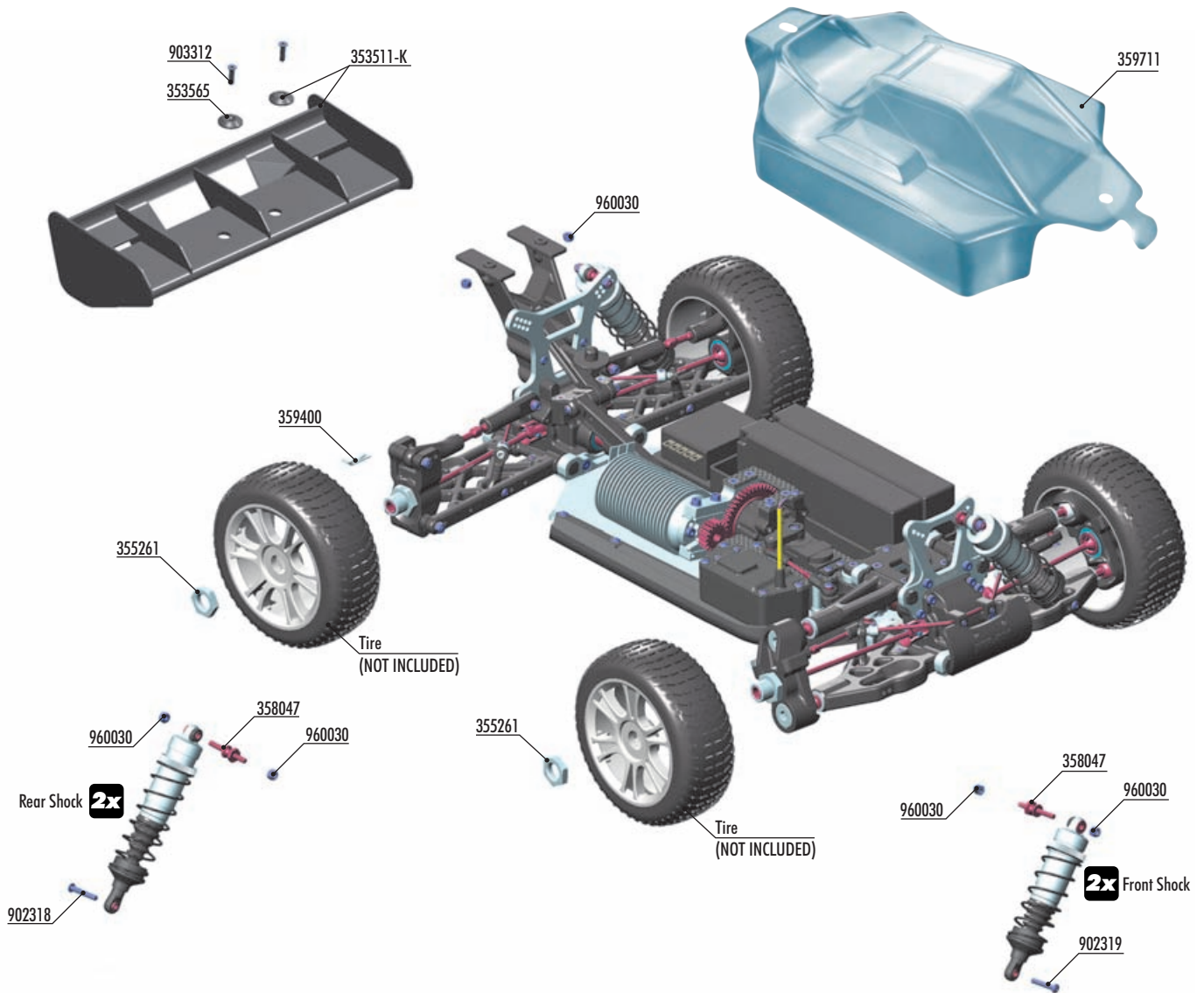
SETTING THE SHOCK REBOUND TO 50% (MEDIUM REBOUND)



SETTING THE SHOCK REBOUND TO 100% (HIGH REBOUND)



12. FINAL ASSEMBLY



XRAY STARBURST WHEELS			
OPTION	#359808	PINK	OPTION
	#359809	YELLOW	OPTION

WHEEL NUTS			
OPTION	#355261	OPEN	INCLUDED
	#293560	COVERED	OPTION
	#355265	COVERED	OPTION

WING SHIMS			
OPTION	#353565	COMPOSITE	INCLUDED
	#293561	ALU	OPTION
	#293561-0	ALU	OPTION
	#353561	ALU	OPTION

#359712 BODY HIGH-SPEED - LIGHTWEIGHT			
OPTION			

WINGS			
OPTION	#353511-K	BLACK	INCLUDED
	#353511	WHITE	OPTION
	#353511-Y	YELLOW	OPTION
	#353512	LEXAN®	OPTION

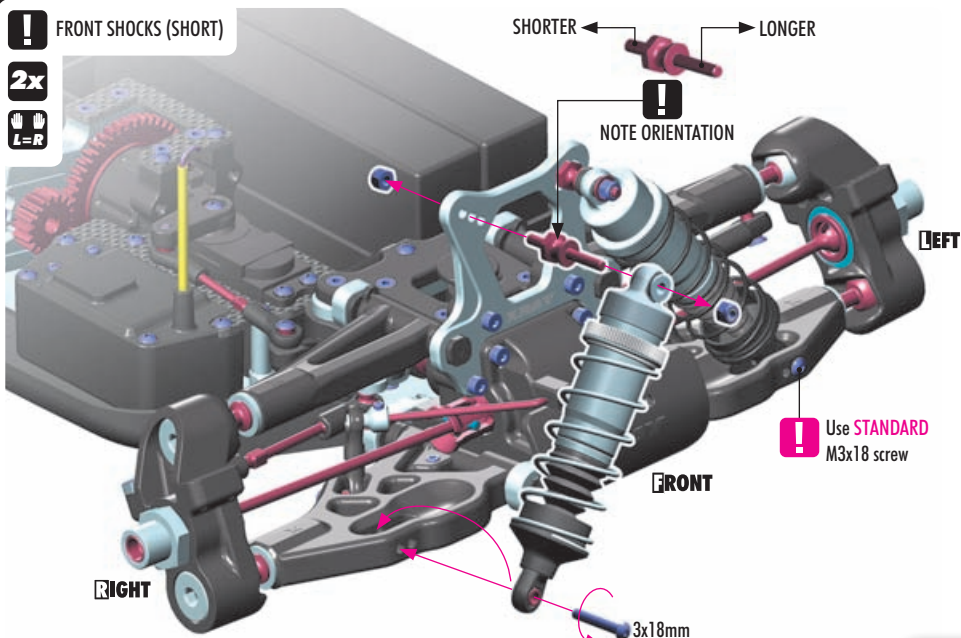
BAG

12

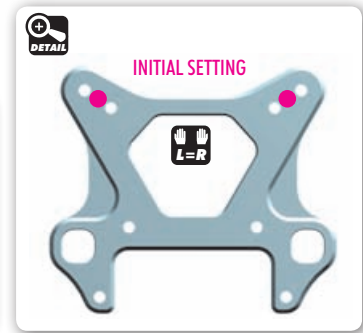
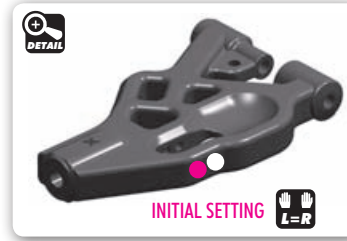
- 35 3511-K XB8 REAR WING - BLACK
- 35 3565 COMPOSITE REAR WING SHIM - BLACK (2)
- 35 5261 WHEEL NUT - RIBBED - HARD COATED (2)
- 35 8047 STEEL SCREW SHOCK PIVOT BALL WITH HEX (2)
- 35 9400 BODY CLIP (10)
- 35 9711 XB8 BODY HIGH-SPEED FOR 1/8 OFF-ROAD BUGGY

- 90 2318 HEX SCREW SH M3x18 (10)
- 90 2319 HEX SCREW SH M3x18 - LEFT THREAD (10)
- 90 3312 HEX SCREW SFH M3x12 (10)
- 96 0030 NUT M3 (10)

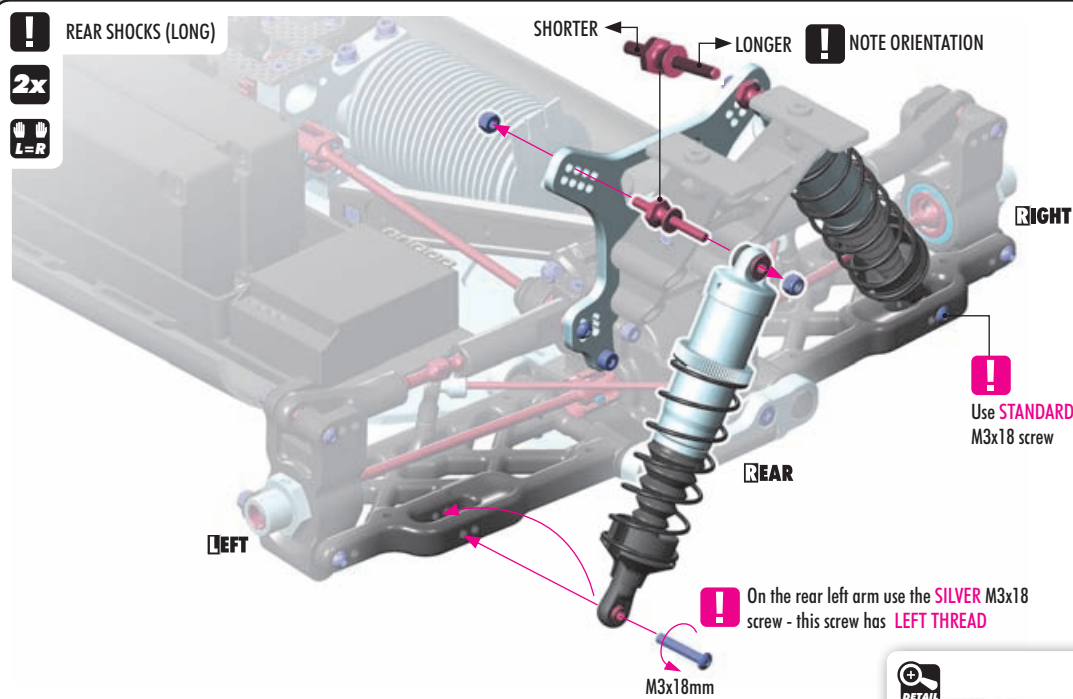
12. FINAL ASSEMBLY



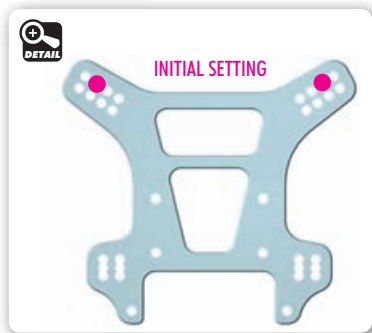
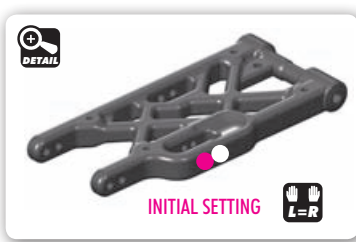
On the front right arm use the SILVER M3x18 screw - this screw has LEFT THREAD **!**



SET-UP BOOK
SHOCK ABSORBERS



On the rear left arm use the SILVER M3x18 screw - this screw has LEFT THREAD **!**



SET-UP BOOK
SHOCK ABSORBERS

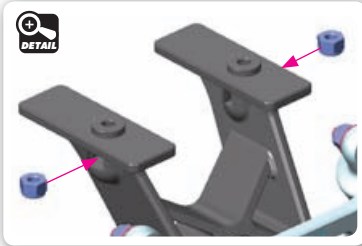
12. FINAL ASSEMBLY



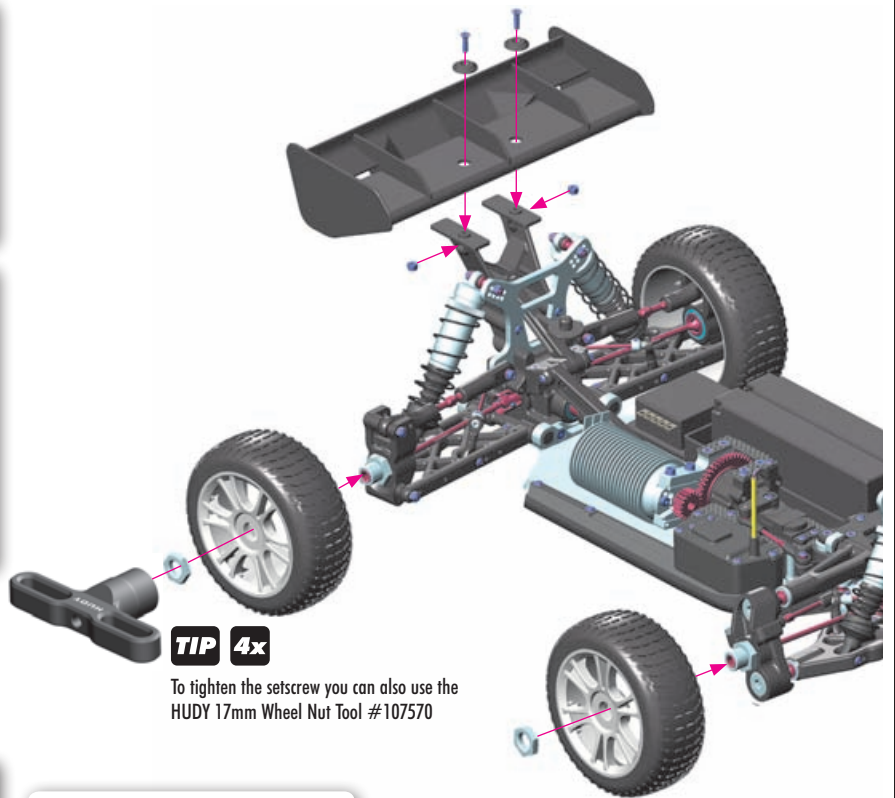
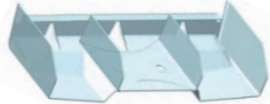
903312
SFH M3x12



960030
N M3



WINGS		
#353511-K	BLACK	INCLUDED
#353511	WHITE	OPTION
#353511-Y	YELLOW	OPTION
#353512	LEXAN®	OPTION



TIP 4x

To tighten the setscrew you can also use the HUDY 17mm Wheel Nut Tool #107570



WING SHIMS		
#353565	COMPOSITE	INCLUDED
#293561	ALU	OPTION
#293561-0	ALU	OPTION
#353561	ALU	OPTION



WHEEL NUTS		
#355261	OPEN	INCLUDED
#293560	COVERED	OPTION
#355265	COVERED	OPTION



XRAY STARBURST WHEELS		
#359808	Pink	OPTION
#359809	Yellow	OPTION

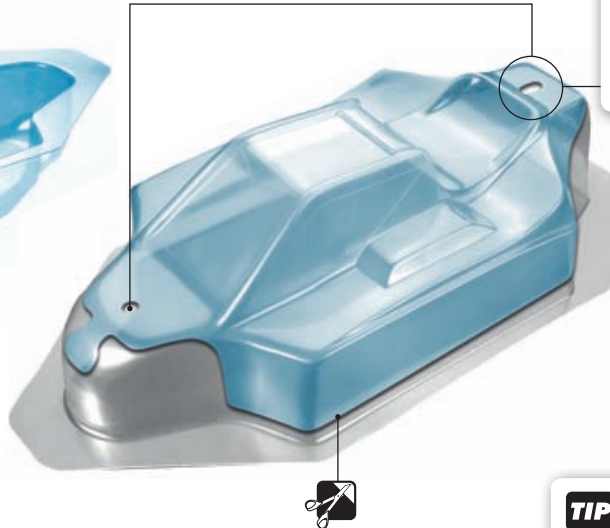


- Before cutting and making holes on the body, put the unpainted body on the chassis to confirm the mounting position and location for holes and cutouts.
- Before painting, wash the inside of the body with mild detergent, and then rinse and dry thoroughly.
- Mask all windows.
- Apply paint masks as appropriate.

- Paint the body using paints formulated for polycarbonate bodies.
- When the paint is dry, remove the masking.
- Carefully cut out the body using appropriate scissors or cutting tools.
- When you have finished cutting, peel off the external protective films.



Body Reamer (HUDY #107600)



Ensure to make this rear body mount hole oval so in the case of chassis flex after a big jump the body mount will not tear up the hole.



#359712
BODY HIGH-SPEED - LIGHTWEIGHT

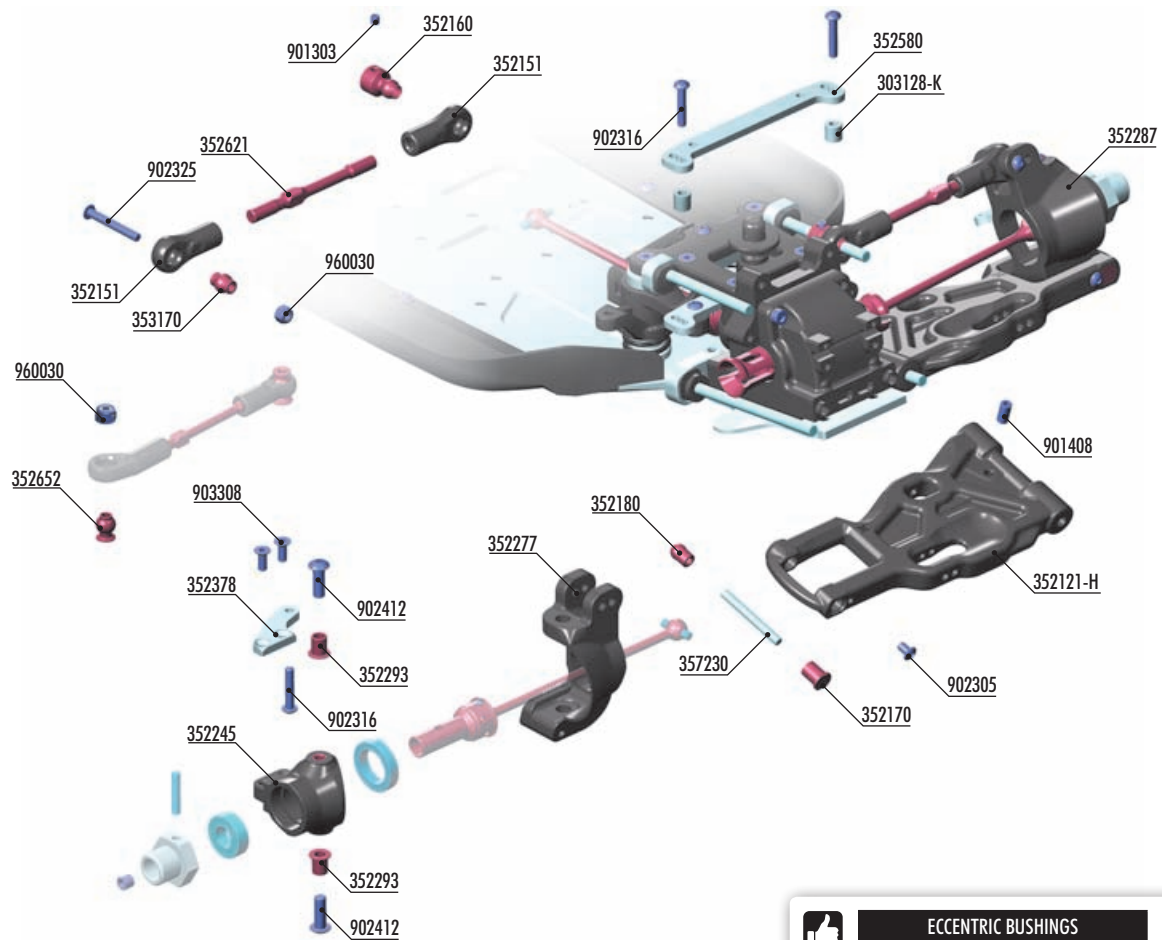


TIP

To reinforce the body or to fix broken body use #106280 HUDY BODY FIX



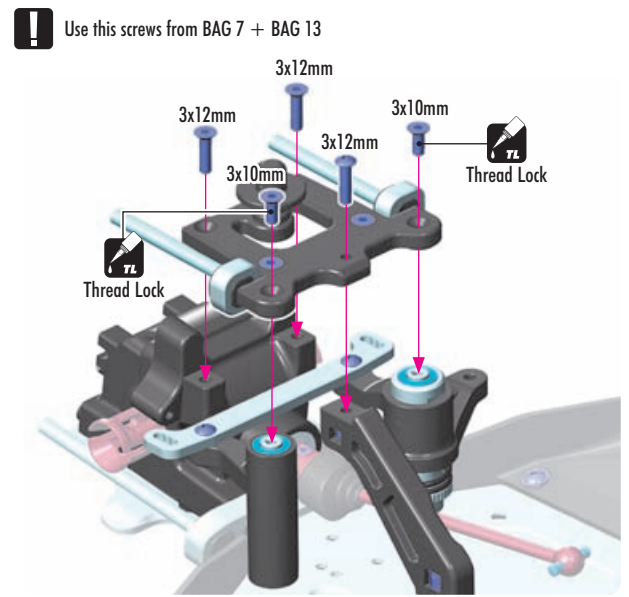
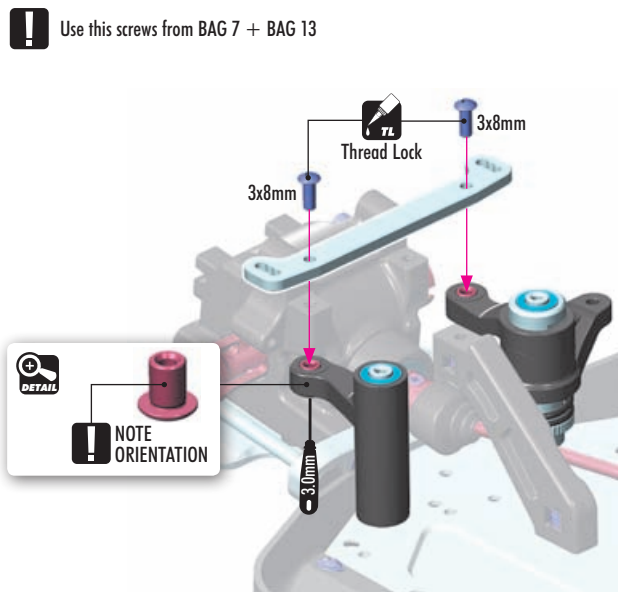
13. FRONT C-HUB SUSPENSION




ECCENTRIC BUSHINGS			
OPTION	#352170	0° - STEEL	INCLUDED
	#352171	1° - STEEL	OPTION

BAG
13


- 303128-K ALU SHIM 3x6x6.0MM - BLACK (10)
- 352121-H COMPOSITE FRONT LOWER SUSPENSION ARM - HARD
- 352151 FRONT UPPER ARM BALL JOINT (2) - V2
- 352160 STEEL MOUNTING BALL 6.8MM (2)
- 352170 STEEL ECCENTRIC BUSHING 0° (2)
- 352180 BALL MOUNT (2)
- 352245 STEERING BLOCK
- 352277 COMPOSITE CASTER BLOCK 16° RIGHT
- 352287 COMPOSITE CASTER BLOCK 16° LEFT
- 352293 STEEL BUSHING FOR CASTER BLOCK (2)
- 352378 ALU STEERING PLATE - SWISS 7075 T6 (L+R)
- 352580 ALU STEERING PLATE - SWISS 7075 T6
- 352621 ADJ. TURNBUCKLE M5 L/R 58mm (2)
- 352652 BALL STUD 6.8MM (4)
- 353170 PIVOT BALL 6.8 (4)
- 357230 FRONT LOWER OUTER PIVOT PIN (2)
- 901303 HEX SCREW SB M3x3 (10)
- 901408 HEX SCREW SB M4x8 (10)
- 902305 HEX SCREW SH M3x5 (10)
- 902316 HEX SCREW SH M3x16 (10)
- 902325 HEX SCREW SH M3x25 (10)
- 902412 HEX SCREW SH M4x12 (10)
- 903308 HEX SCREW SFH M3x8 (10)
- 960030 NUT M3 (10)




13. FRONT C-HUB SUSPENSION




940816
BB 8x16x5




980317
P 3x17




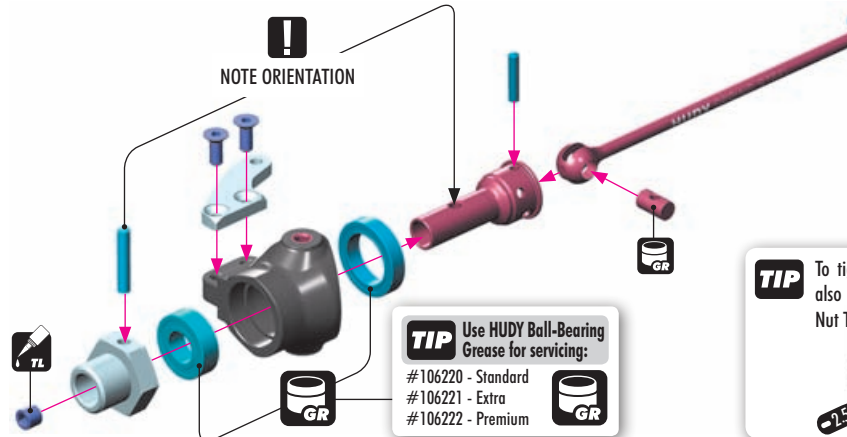
901504
SB M5x4



903308
SFH M3x8

2x 


NOTE ORIENTATION 




TIP Use HUDY Ball-Bearing Grease for servicing:
#106220 - Standard
#106221 - Extra
#106222 - Premium


TIP Follow the TECH TIP on page 5 for drive shaft pin servicing

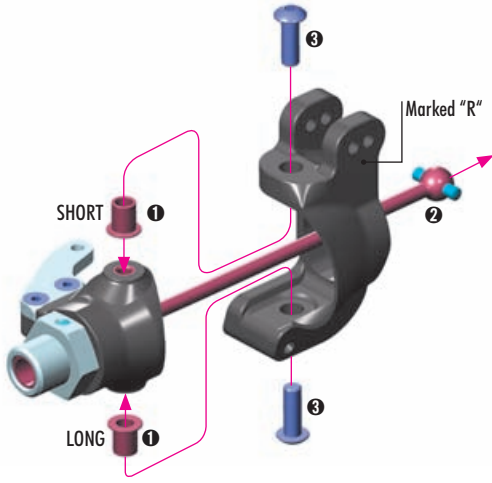
TIP To tighten the setscrew you can also use the HUDY 17mm Wheel Nut Tool #107570





902412
SH M4x12

2x 



SHORT ①

LONG ①

Marked "R"

2x 

TIP Install the pivot balls with Professional Multi Tool (HUDY #183011)




LEFT THREAD

RIGHT THREAD


32.5mm

LEFT


RIGHT




901408
SB M4x8




902305
SH M3x5




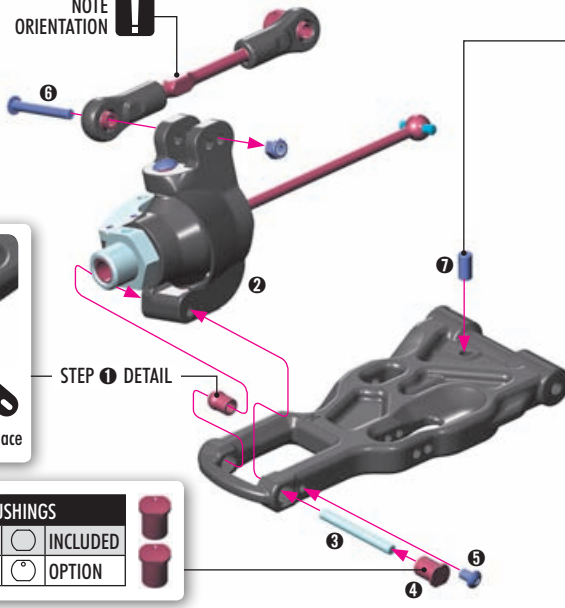
902325
SH M3x25



960030
N M3

2x 

NOTE ORIENTATION 



TIP Press pivot ball into arm until it snaps into place

TIP Press pivot ball into arm until it snaps into place

STEP 1 DETAIL

STEP 7 DETAIL

TOP DOWNSTOP SETTING

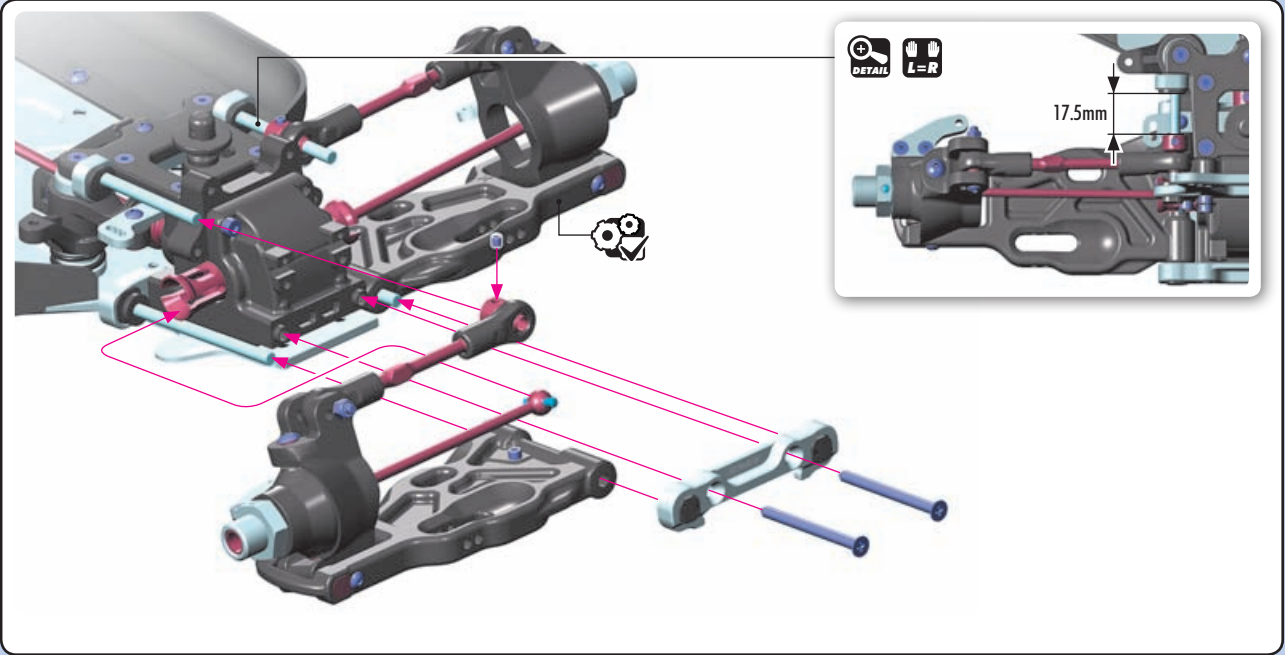
STEP 7 DETAIL **BOTTOM** 0.0mm

ECCENTRIC BUSHINGS			
OPTION	#352170	0° - STEEL	<input type="checkbox"/> INCLUDED
	#352171	1° - STEEL	<input type="checkbox"/> OPTION

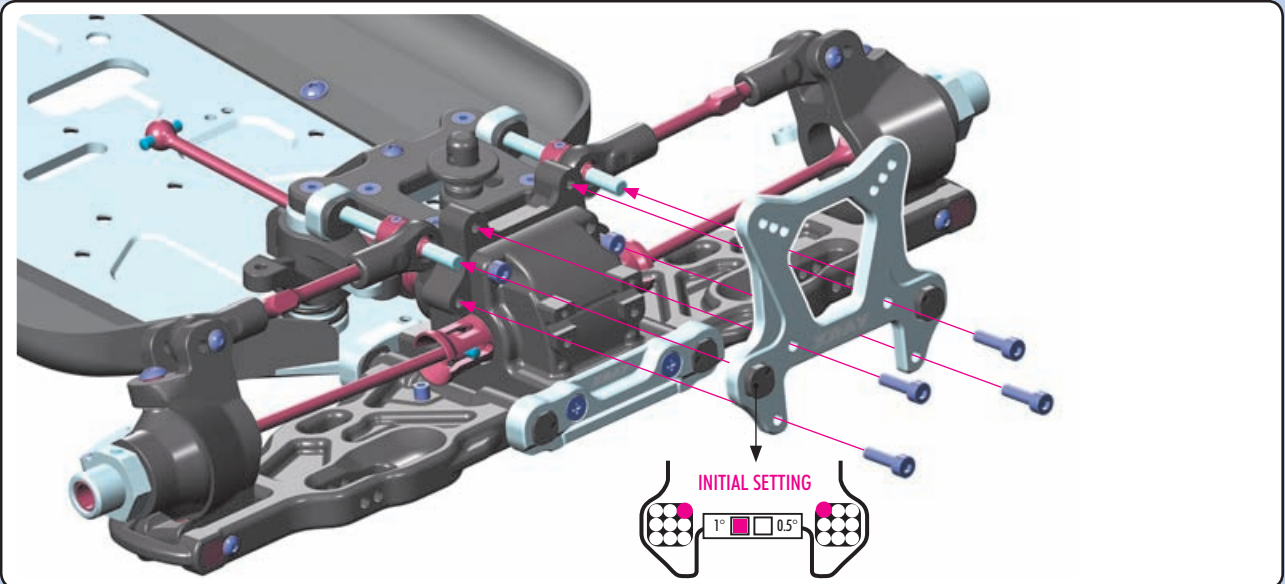
13. FRONT C-HUB SUSPENSION



909395
SS 3.5x45



908312
SCH M3x12



901303
SB M3x3



901305
SB M3x5



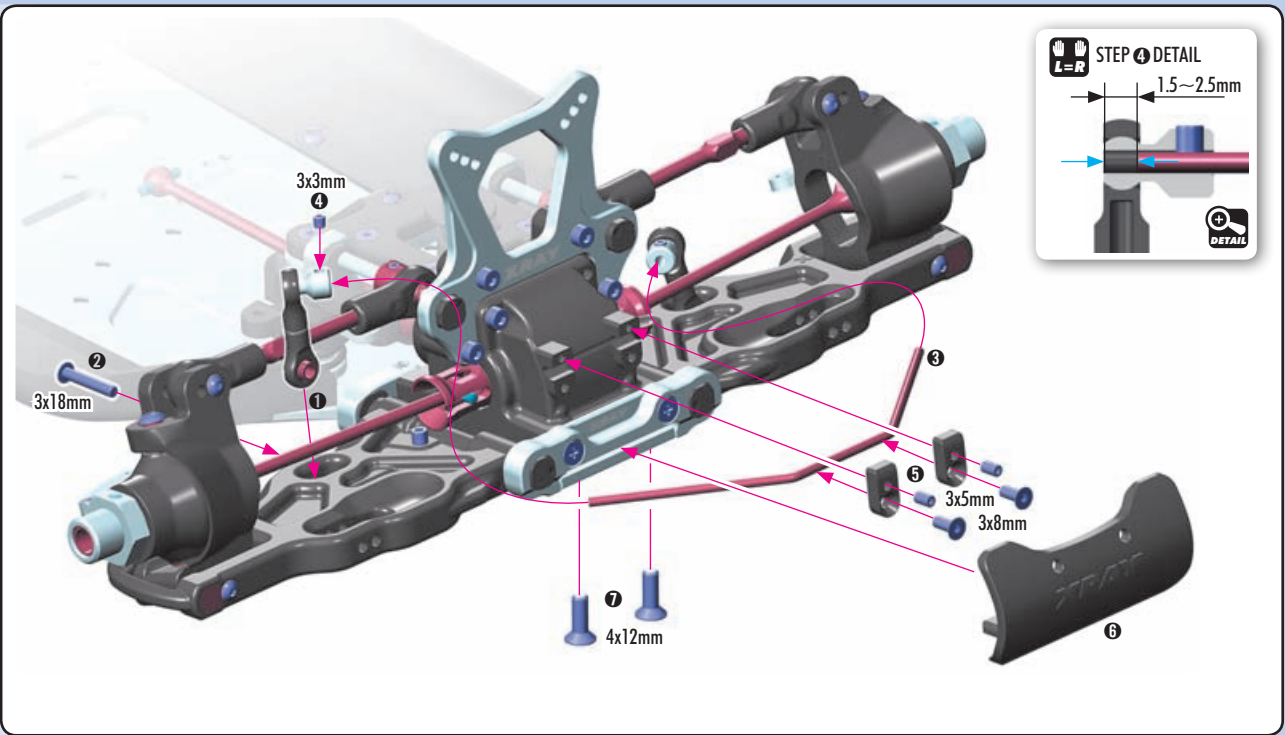
902318
SH M3x18



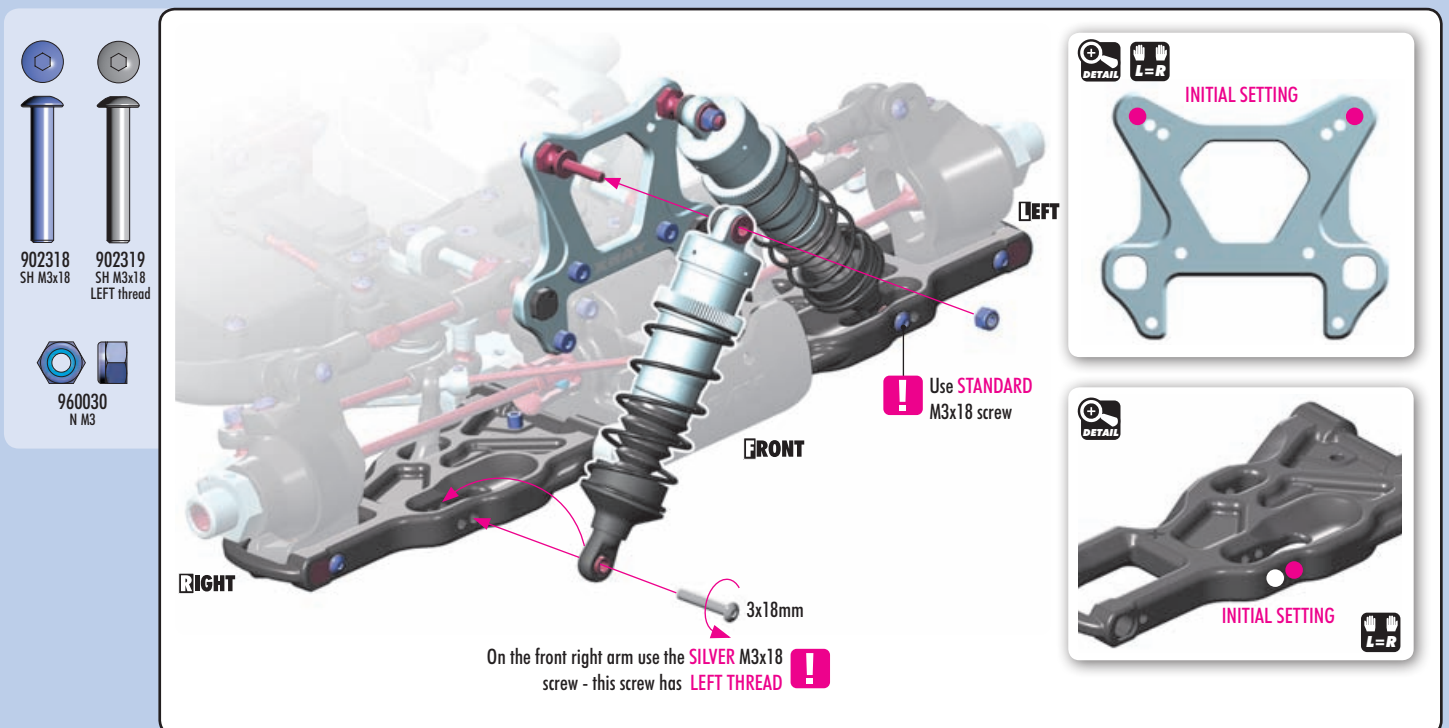
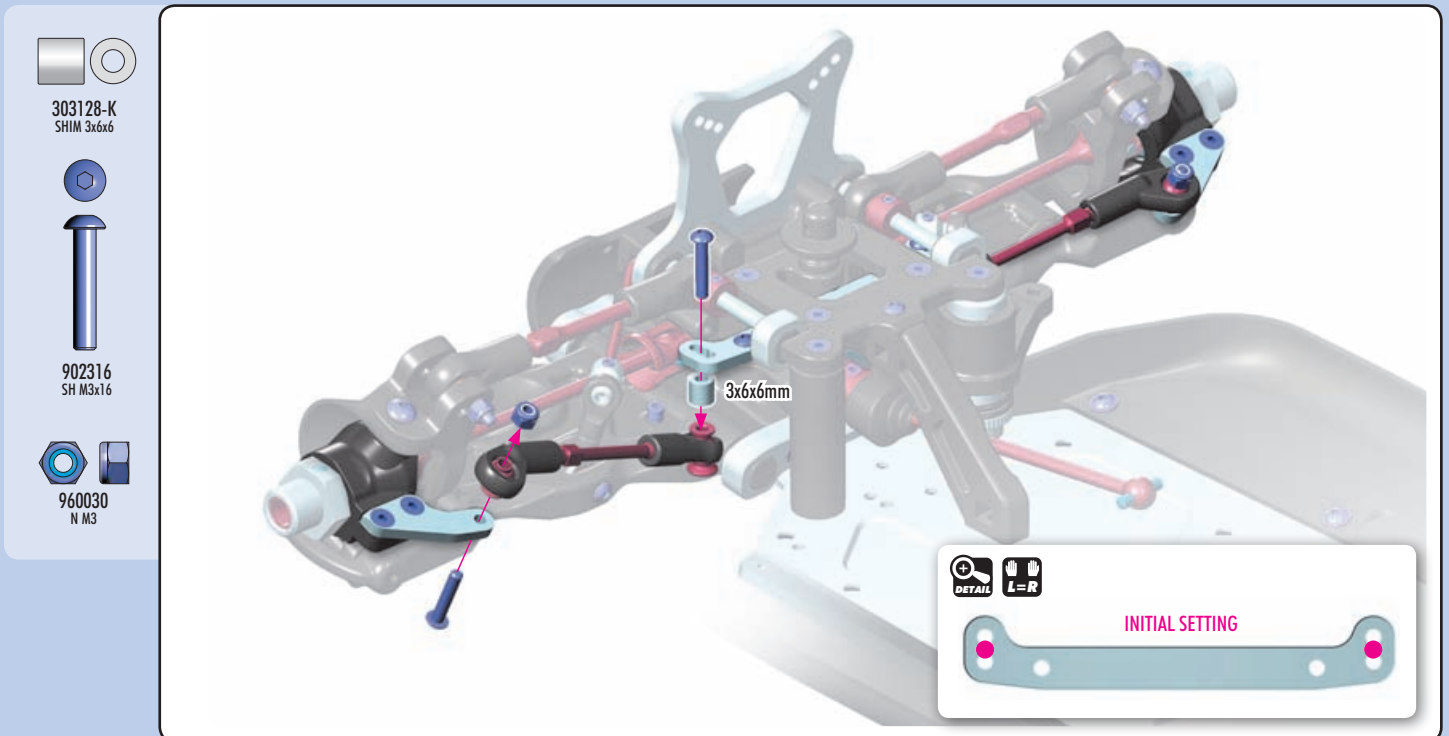
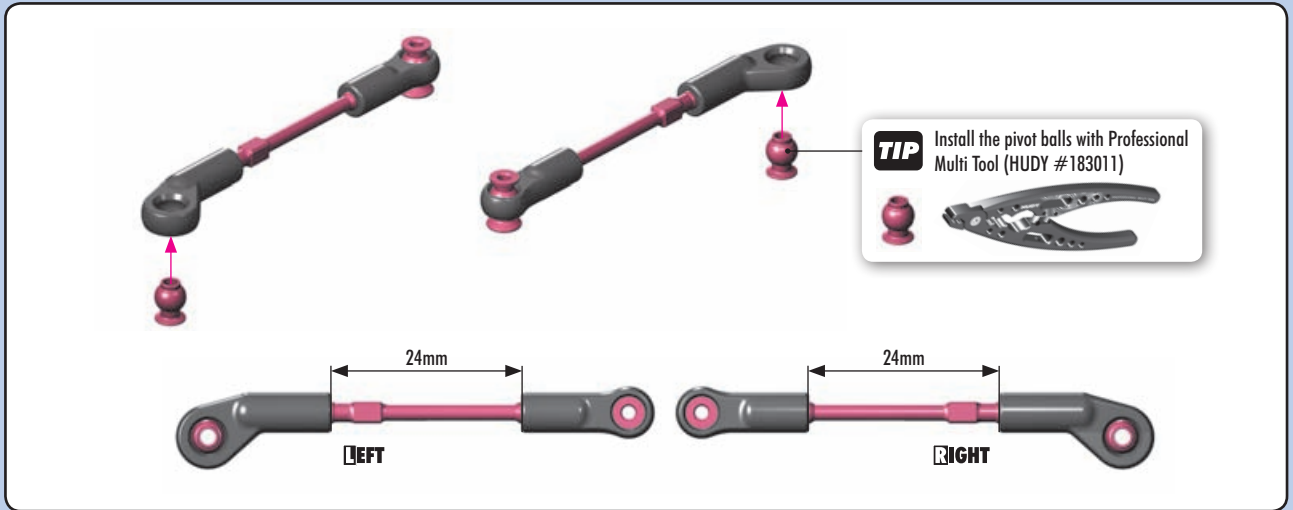
903308
SFH M3x8



903412
SFH M4x12



13. FRONT C-HUB SUSPENSION



MAINTENANCE

ENGINE OPERATION

PREPARING TO OPERATE THE ENGINE

- Never modify the engine or muffler.
- Confirm the position of needle and idling before running. Be sure to run a new engine smoothly.
- Make sure the air filter is clean and oiled.
- Never run your engine without an air filter. Your engine can be seriously damaged if dirt and debris get inside the engine.
- For proper engine break-in, please refer to the manual that came with the engine.
- The engine may not start or run properly if the air filter is dirty, or choked with sand and dust.
- If the fuel pipe is choked or deteriorates, the engine may not start, and there is danger that fuel will leak out.

STARTING AND RUNNING THE ENGINE

Be sure to observe the following starting process. Failure to do so may cause the model car to start suddenly, which may lead to damage or unexpected accidents.

1. Make sure the transmitter and receiver batteries are fully charged.
2. Make sure that your transmitter and receiver are both on the same frequency. If you have a transmitter with multiple model memory, make sure you have selected the proper profile for your car.
3. Put the car on the starter box and keep the tires from touching the ground.
4. Turn on the transmitter.
5. Turn on the receiver in the car.
6. Make sure the steering servo and engine servos work normally and adjust them correctly.
7. Put fuel in the fuel tank, and close the cap securely.
8. Apply the glow igniter to the engine glowplug.
9. Push the model car onto the starter box to start the engine. (If the engine is new, follow the instruction manual and be sure to break in the new engine properly).
10. When the engine has started, remove the glow igniter.
11. Follow your engine break-in procedure and tune the engine as appropriate.

STOPPING THE ENGINE

Before you stop the engine, try to make sure the engine is at idle first. There are several ways to stop the engine:

- Use a rag to cover the exhaust tip. Be careful! The exhaust is extremely hot so use a thick rag and gloves.
- Pinch the fuel tubing to stop the flow of fuel to the carb. Be careful, this can make the motor run lean which can damage the motor.
- Put your hand over the air filter, or squeeze the air filter element to block the airflow.
- Press an object (such as a screwdriver handle or shoe) against the rotating flywheel to stop its rotation. Be very careful, and do not stick your hand or fingers near the rotating flywheel.

FINISHING OPERATIONS

1. Stop the engine.
2. Turn off the receiver in the car
3. Turn off the transmitter.

MAINTENANCE AFTER RUNNING

Take proper care of your car after running to keep it performing well, and take notice of any damage and wear.

1. Do not leave fuel in the tank.
2. Go outside to drain any residual fuel from the exhaust pipe.
3. Clean the car and remove all sand, mud, and other debris.
4. Use after-run oil in your engine after you have finished running for the day.

SHOCK MAINTENANCE

The most important maintenance task for keeping consistent shock performance is refilling and bleeding them correctly. If built correctly, it will not be necessary to re-build them often. Replacing warped/hard rubber bladders and o-rings, scarred piston rods, or shaved/split/loose composite upper and lower ball joints are also important.

- For club racing, it is recommended to check the shocks for air inside before each race and only re-fill and bleed them if necessary. Before each race day, make sure you take the spring off of each shock, hold it up to your ear, and quickly compress the shock rod fully into the body while listening for any air making a "whistling" or "squishy" sound as it passes through the piston holes. If you hear any air, refill and bleed your shocks. For high-competition racing, it is recommended that the shocks be re-filled and bled before a large event.
- If building or pairing new shocks, always make sure they are the same length using a shock length measuring tool and adjust the lower ball joints as needed.
- If installing new rubber bladders, carefully trim the thin excess rubber from the edges of their lips. Curved body scissors work the best.
- Regularly inspect the amount of dirt on the felt protector in the shocks (if present) and regularly replace with a new one.
- During regular shock operation, oil naturally gets on the shock shaft and drop-by-drop slightly gets out of the shock body. Shocks should be inspected regularly after each race, and oil replaced as required.

BEARING MAINTENANCE

Ball-bearings in an off-road car or truggy must be properly maintained for smooth operation and long lifespan.

Typically, the ball-bearings included in new cars are greased for highest lifespan and as such the drivetrain may not seem to be as free as with lightly-oiled ball-bearings. However, when the car is run the ball-bearings will become more free and the drivetrain will become very efficient.

There are several types of bearings discussed here: bearings which already come greased from the factory, bearings which must be lubricated using the HUDY Bearing Grease, and then there are also bearings in the steering system which need to be lubricated with HUDY Bearing Oil.

The following procedures are recommended to clean all of the bearings in your off-road car or truggy. For high-competition racing, we recommended doing this every 3-4 weeks, or before a major race.

1. Remove the seals on both sides of the bearing (if present). If the seals bend a little and you can see a kink, carefully flatten the kink out by hand.
2. Spray the seals with motor cleaner and blow dry with compressed air.
3. Spray the bearing on both sides with motor cleaner.
4. Spin the bearing while it is still wet to dislodge any particles with the cleaner.
5. Spray the bearing on both sides again.
6. Blow both sides of the bearing dry with compressed air to make sure particles come out.
7. Hold the inner part of the bearing with my left thumb/forefinger and spin it to make sure it spins free without any abnormal vibrations or sounds.
8. Place one drop of bearing oil into each side of the bearing.
9. Replace both seals at the same time by lining them up on each side of the bearing and lightly pressing them in all the way around the bearings circumference with your thumb and forefinger. Do not press too hard or use any type of tool, such as a wrench tip, to push the blue seals in as they will push in too far, bend and cause drag.

If you spin test the bearing after you have re-oiled and sealed it, it will not spin freely for an extended period of time. The lightest of oils may allow it to spin for 1-2 seconds. This is normal and once you have mounted the bearings in the car again, the drive train will spin freely.

Make sure you use a motor cleaner that does not leave a residue after it dries as this may cause drag and wear in the bearings.

CLUTCH BEARINGS

To prolong the lifespan of the clutch bearings, they must be regularly cleaned and lubricated (preferably after each run) using a high-quality grease such as HUDY Bearing Grease. However, after some time the clutch bearings must be replaced with new ones.

RECOMMENDED PRODUCTS

- Use HUDY Bearing Grease to regularly lubricate grease-bearing ball-bearings.
- Use HUDY Bearing Oil to lubricate the bearings of the steering system.
- Use HUDY Bearing Grease to regularly lubricate the clutch bearings.

HUDY
#106213



HUDY
#106220



HUDY
#106222



HUDY
#106221



HUDY #106230



TROUBLESHOOTING GUIDE

PROBLEM	CAUSE	SOLUTION
CAR IS HARD TO CONTROL	<ul style="list-style-type: none"> • Weak transmitter and/or receiver batteries • Low reception from radio antennas • Servo linkages not adjusted properly 	<ul style="list-style-type: none"> • Recharge or replace batteries • Fully extend transmitter and receiver antennas • Move servo to neutral then re-adjust linkage(s)
STEERING DOES NOT WORK PROPERLY	<ul style="list-style-type: none"> • Weak transmitter and/or receiver batteries • Bent linkages or driveshafts • Loose steering components • Drivetrain damage 	<ul style="list-style-type: none"> • Recharge or replace batteries • Check tightness of steering components and tighten if necessary • Replace damaged parts
HANDLING PROBLEMS	<ul style="list-style-type: none"> • Shocks are not working properly • Suspension is binding • Improper tires 	<ul style="list-style-type: none"> • Rebuild the shocks and replace worn or broken parts • Make sure suspension moves freely. Replace worn or broken parts • Use different tires
STEERING FEELS SLUGGISH OR VAGUE	<ul style="list-style-type: none"> • Suspension is binding • Damaged steering servo 	<ul style="list-style-type: none"> • Make sure suspension moves freely, and replace worn or broken parts • Check the steering servo for damage and wear, and replace/repair if necessary
THE CAR DOES NOT DRIVE STRAIGHT	<ul style="list-style-type: none"> • Suspension is binding • Steering trim is off-center • Wheels are loose • Damaged steering servo 	<ul style="list-style-type: none"> • Make sure suspension moves freely, and replace worn or broken parts • Adjust steering trim until car drives straight • Check the make sure the wheel nuts are properly tightened • Check the steering servo for damage and wear, and replace/repair if necessary

www.teamxray.com

XRAY EUROPE

XRAY, K VÝSTAVISKU 6992, 91101 TRENCIN, SLOVAKIA, EUROPE
PHONE: +421-32-740 11 00, FAX: +421-32-740 11 09, info@teamxray.com

XRAY USA

RC AMERICA, 2030 Century Center Blvd #15, Irving, TX 75062, USA
PHONE: 214-744-2400, FAX: 214-744-2401, xray@rcamerica.com

