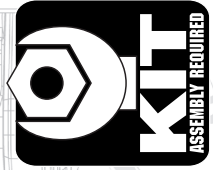




RC8B1 TEAMKIT



1:8 Scale Nitro 4WD Off Road Competition Buggy Kit Manual & Catalog

#80935 RC8B3.1 Team Kit

TEAM ASSOCIATED



Designed in California, USA

:: Introduction

Thank you for purchasing this Team Associated product. This assembly manual contains instructions and tips for building and maintaining your new RC8B3.1 Kit. Please take a moment to read through this manual to help familiarize yourself with these steps. We are continually changing and improving our designs; therefore, actual parts may appear slightly different than in the illustrations. New parts will be noted on supplementary sheets located in the appropriate parts bags. Check each bag for these sheets before you start to build.

:: KIT Features

Features in the RC8B3.1 Kit:

- Front suspension features pillow ball uprights for increased adjustability and improved durability
- Light weight ring gears and optimized precision ball bearing sizing, reduces drivetrain rotational mass for improved acceleration and fuel economy
- Gearboxes feature a 3.38:1 internal gear ratio with fast access differentials for quick removal, tuning and maintenance
- Center universal drive shafts for efficient drivetrain power delivery and ease of maintenance
- Braking system features bonded pads and machined steel rotors for maximum braking force and reduced fade
- 7075-T6 aluminum 16mm "Big Bore" threaded shocks with TiN coated 3.5mm shafts, precision springs, and emulsion style bleeder cap for better bump absorption
- 7075-T6 aluminum shock towers front and rear feature finely tuned shock mounting and upper arm positions
- Refined suspension geometry with lower hinge pin inserts for quick and easy roll center adjustments
- Light weight one-piece wing mounts feature height and forward positioning adjustment for more precise handling
- Carbon fiber radio tray with sealed receiver box keeps dirt and debris from receiver
- Large capacity fuel tank with floating clunk filter and optimized internal baffles keep fuel flowing in the most extreme conditions
- Proline RC8B3.1 clear body and Team Associated molded wing included

:: Additional

Your new RC8B3.1 Kit comes as a kit. There are some items you will need to complete your kit (refer to catalog for suggestions):

- .21 rear exhaust engine • Muffler, joining pack, or manifold spring
- 2 channel radio/transmitter set with switch – FM/PCM/2.4GHz recommended
- Transmitter batteries (#302 recommended)
- 4.8-7.4v receiver battery pack
 - LiPo - flat style (#304, 315)
 - LiFe - flat style (#305)
 - NiMH - flat style (#613)
- Model car fuel (30% nitro recommended)
- Fuel bottle (#1747 recommended)
- Glow igniter (#1738 recommended)
- Starter box (#1751 recommended)
- 1/8th scale buggy tires
- CA (Cyanoacrylic) glue (#1597 recommended)
- Polycarbonate specific spray paint or polycarbonate specific bottled paint and airbrush
- Thread locking compound (#1596 recommended)
- Needle nose pliers
- Shock Shaft Pliers (#1675 recommended)
- Hobby knife
- Reamer/hole punch
- Ride Height Gauge (#1449 recommended)

:: Other Helpful Items

- Silicone Shock/Diff Fluids (Refer to catalog for complete listings)
- Body Scissors (AE #1737)
- FT Turnbuckle Wrench (AE #1114)
- Soldering Iron
- FT Hex Wrenches (AE #1655)
- Calipers or Precision Ruler
- FT Nut Drivers (AE #1663-1668)
- Green Slime shock lube (AE #1105)
- FT 5.0mm Hex Drive (AE #1506)













Associated Electrics, Inc.
 26021 Commercentre Dr.
 Lake Forest, CA 92630














Customer Service
 Tel: 949.544.7500
 Fax: 949.544.7501

:: Hardware - 1:1 Scale View






Flat Head (fhcs)

| | |
|--|--|
|  | 2.5x6mm (4675) |
|  | 2.5x8mm (31448) |
|  | 3x6mm (31541) |
|  | 3x8mm (25201) Titanium (91592) |
|  | 3x10mm (25202) Titanium (91593) |
|  | 3x12mm (25203) Titanium (91594) |
|  | 3x14mm (89208) Titanium (91595) |
|  | 4x10mm (81262) |
|  | 4x12mm (89214) |
|  | 4x14mm (89217) |
|  | 4x16mm (81263) |
|  | 4x20mm (81264) |







Button Head (bhcs)

| | |
|--|--|
|  | 2.5x6mm (31520) |
|  | 2.5x8mm (31521) |
|  | 2.5x18mm (81259) |
|  | 3x6mm (31531) Titanium (91580) |
|  | 3x10mm (25211) |
|  | 3x14mm (25187) Titanium (91584) |
|  | 3x16mm (89203) Titanium (91585) |
|  | 3x20mm (25188) |
|  | 3x24mm (89204) Titanium (91589) |
|  | 4x14mm (81260) |
|  | 4x16mm (81261) |








Socket Head (shcs)

| | |
|---|-----------------------|
|  | 2x5mm (31511) |
|  | 2x16mm (7184) |
|  | 3x8mm (89223) |
|  | 3x10mm (25620) |
|  | 3x24mm (89225) |








Set Screws

| | |
|---|-----------------------|
|  | 3x3mm (25225) |
|  | 3x6mm (81257) |
|  | 3x10mm (4671) |
|  | 3x12mm (81258) |
|  | 4x4mm (7732) |
|  | 5x4mm (89221) |

Ball Bearings

| | |
|---|---------------------------------|
|  | 5x8x2.5mm (89161) |
|  | 5x10x4mm (91560) |
|  | 6x10mm (31404) |
|  | 6x12x4mm (91561) |
|  | 8x16x5mm (91564) |
|  | 8x16x5mm flanged (91565) |
|  | 15x21x4mm (91566) |

Nuts (lock/plain)

| | |
|--|---------------------------------------|
|  | M3 Nut (91477) |
|  | M3 Alum. Locknut, Blue (31550) |
|  | M3 Locknut, Black (25215) |
|  | M3 Locknut w/Flange (25612) |
|  | FT 3mm Locknuts, Blue(25392) |
|  | M4 Locknut w/Flange (91148) |
|  | FT M4 Locknut, Blue (31551) |
| | M4 Locknut, Serrated (91738) |

:: Table of Contents

| | |
|---|---|
| 1..... Cover | 16 - 17.....Center Bulkhead/ Brakes Build (Bag 7.1, 7.2) |
| 2..... Introduction | 17 - 18Anti-Roll Bars Build (Bag 8.1) |
| 3..... 1:1 Hardware "Fold Out" | 19 - 20.....Shocks Build (Bag 9.1, 9.2) |
| 4..... Table of Contents | 20 - 22.....Radio Tray Build (Bag 10.1, 10.2, 10.3) |
| 5 - 7.....Differentials Build (Bag 1.1, 1.2) | 23 - 24.....Servo Horns / Linkage Build (Bag 11.1, 11.2) |
| 7 - 8.....Steering / Chassis Build (Bag 2.1, 2.2) | 24 - 28.....Engine / Tank Build (Bag 12.1, 12.2, 12.3) |
| 9 - 10.....Front Gearbox Build (Bag 3.1, 3.2) | 29.....Wheel/Tire/Body Build (Misc. Bag) |
| 11 - 12.....Front Uprights Build (Bag 4.1, 4.2) | 30.....Droop Settings |
| 12 - 14.....Rear Gearbox Build (Bag 5.1, 5.2) | 31 - 41..... Catalog |
| 15 - 16.....Rear Uprights / Turnbuckles Build (Bag 5.2, 6.1) | 42.....Back Cover |

:: Notes



This symbol indicates a special note or instruction in the manual.



This symbol indicates a Racers Tip.



Scanning this QR code will take you to Team Associated's Tech Tips videos. These videos will help you with your build and setup!



There is a 1:1 hardware foldout page in the front of the manual. To check the size of a part, line up your hardware with the correct drawing until you find the exact size. Each part in the foldout has a number assigned to it for ordering replacement parts.

Associated Electrics, Inc.
26021 Commercentre Dr.
Lake Forest, CA 92630



Customer Service
Tel: 949.544.7500
Fax: 949.544.7501

:: Differential Build (Front and Rear) - Bag 1.1, 1.2 - Step 1

#6588 black grease

81379
Diff Case

81385
Outdrive O-Ring
5.8x1.9mm

91564
8x16x5 Bearing

81381
Diff Shim
6x8x0.20mm

#6588 black grease

81012
17mm Outdrive,
Front Diff

81008
15mm Outdrive,
Rear Diff

81380
Pin
2.5x12mm

81380
Diff Sun Gear, 20T

Align pin with groove in sun gear

:: Differential Build (Front and Rear) - Bag 1.1, 1.2 - Step 2

81381 x4
Diff Shim
3.5x11x0.12mm

81380 x4
Diff Planet Gear

81380 x2
Diff Crosspin

Racer's Tip:
You can use #81385 Planet O-Ring between the Planet Gears and the Diff Shims as a tuning option. Do Not install 3.3x1.5mm Planet O-Ring for kit setup.

:: Differential Build (Front and Rear) - Bag 1.1, 1.2 - Step 3

#6588 black grease

81002
Diff Ring Gear, 44T

81385
Outdrive O-Ring
5.8x1.9mm

91564
8x16x5 Bearing

81381
Diff Shim
6x8x0.20mm

#6588 black grease

81012
17mm Outdrive,
Front Diff

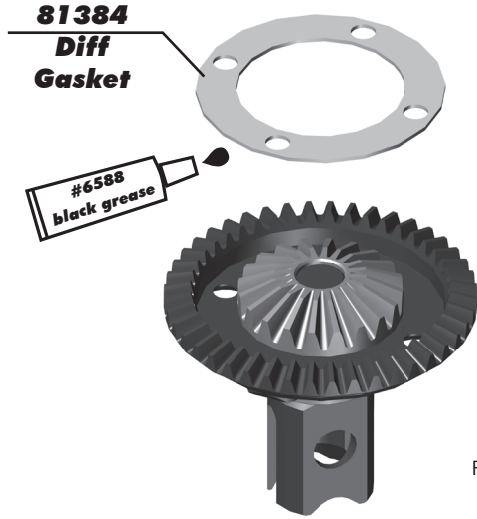
81008
15mm Outdrive,
Rear Diff

81380
Pin
2.5x12mm

81380
Diff Sun Gear, 20T

Align pin with groove in sun gear

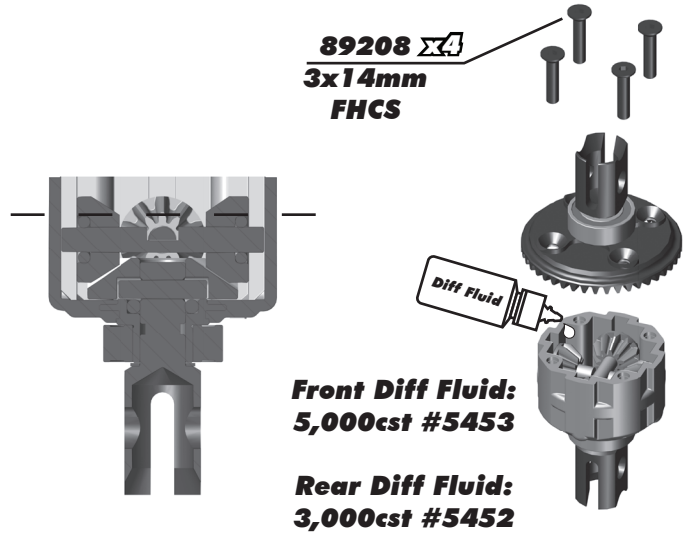
:: Differential Build (Front and Rear) - Bag 1.1, 1.2 - Step 4



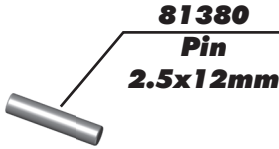
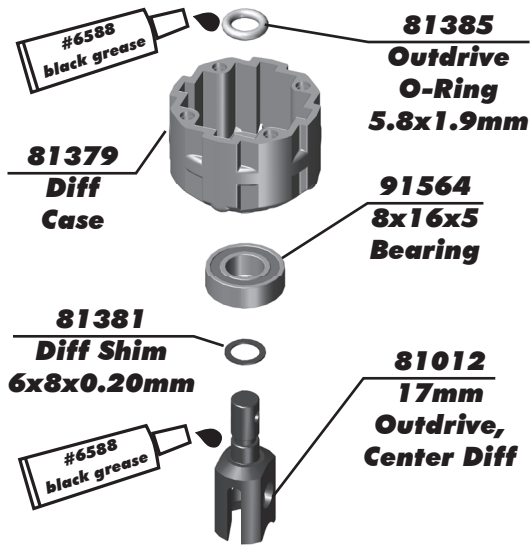
Racer's Tip:
Use black grease (#6588) to coat the Diff Gasket before installation!



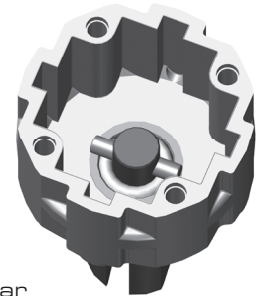
Racer's Tip:
Fill diff above the cross pins, below the planet gears as shown.



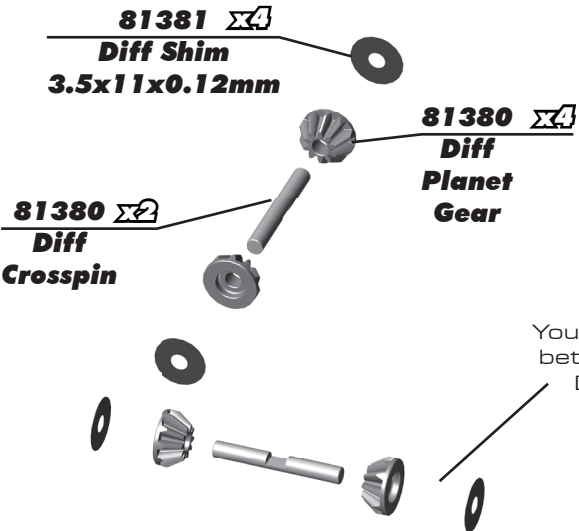
:: Differential Build (Center) - Bag 1.1, 1.2 - Step 5



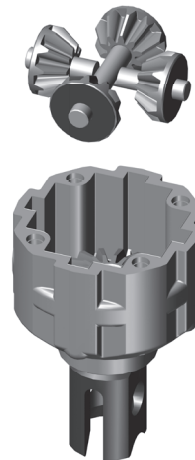
Align pin with groove in sun gear



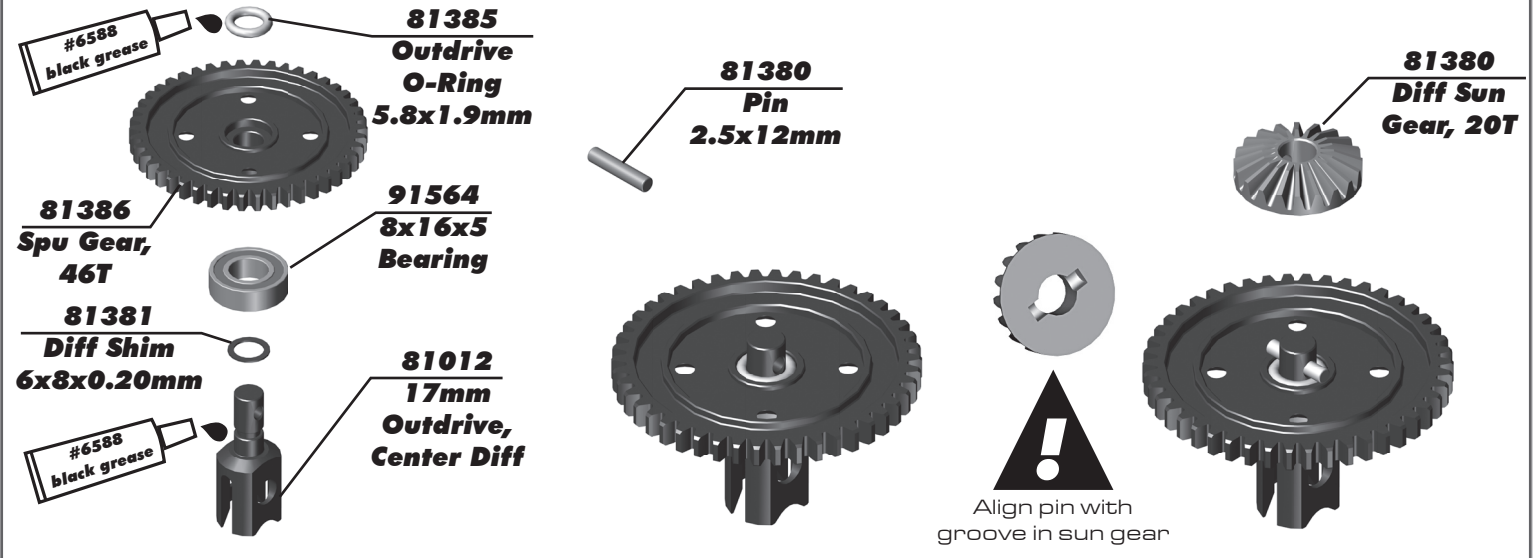
:: Differential Build (Center) - Bag 1.1, 1.2 - Step 6



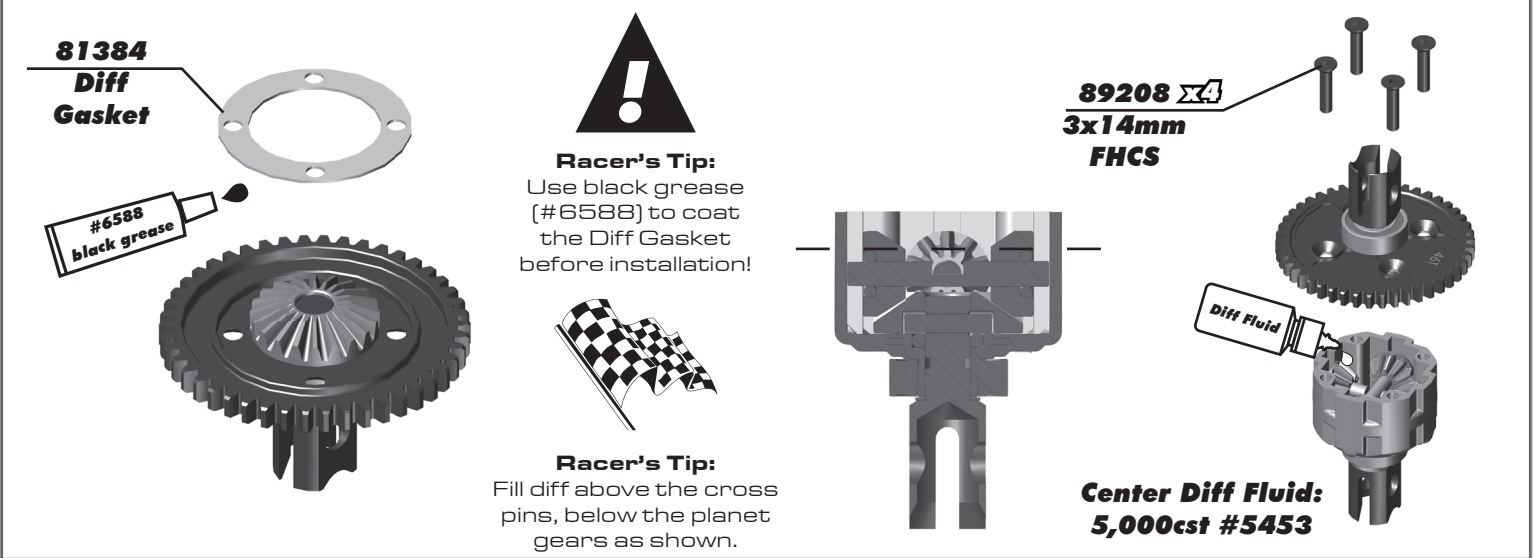
Racer's Tip:
You can use #81385 Planet O-Ring between the Planet Gears and the Diff Shims as a tuning option.



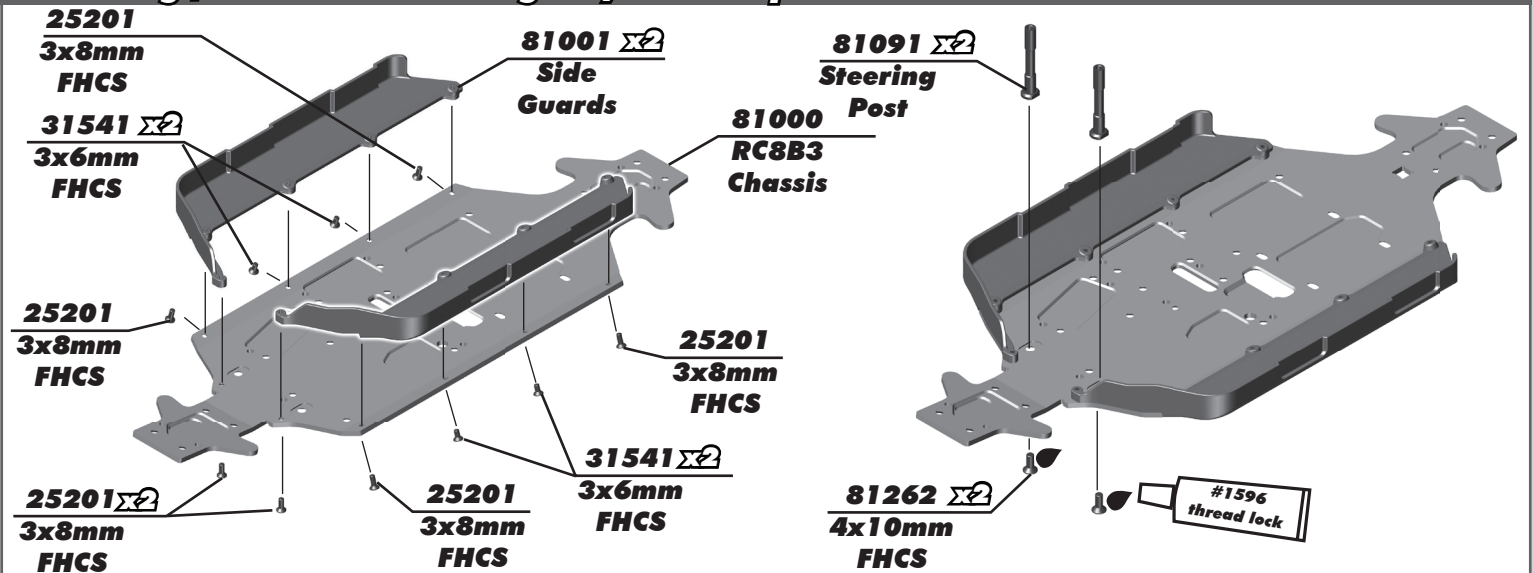
:: Differential Build (Center) - Bag 1.1, 1.2 - Step 7



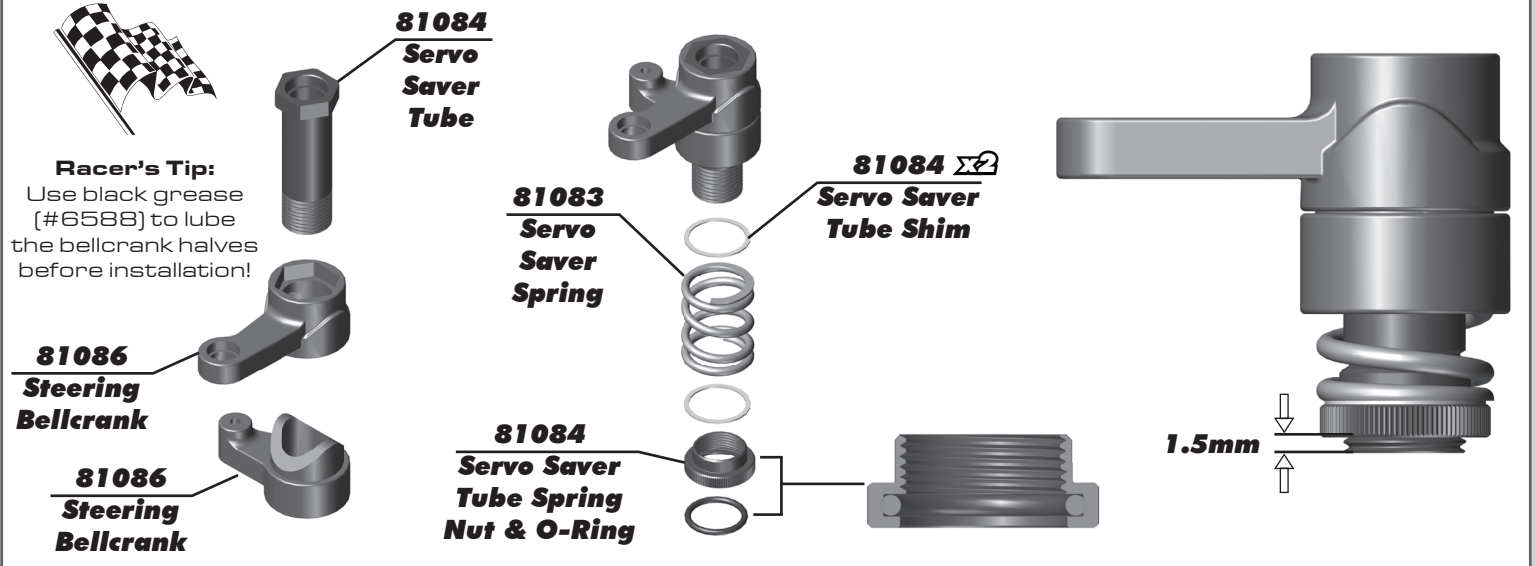
:: Differential Build (Center) - Bag 1.1, 1.2 - Step 8



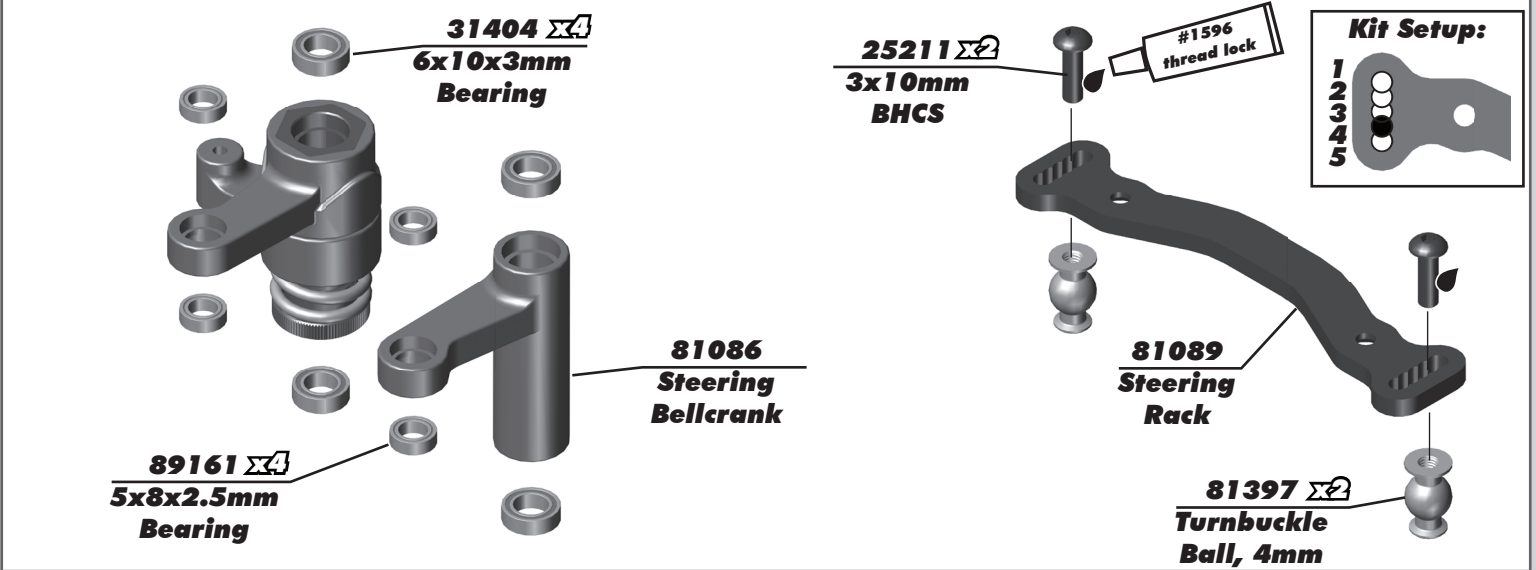
:: Steering / Chassis Build - Bag 2.1, 2.2 - Step 1



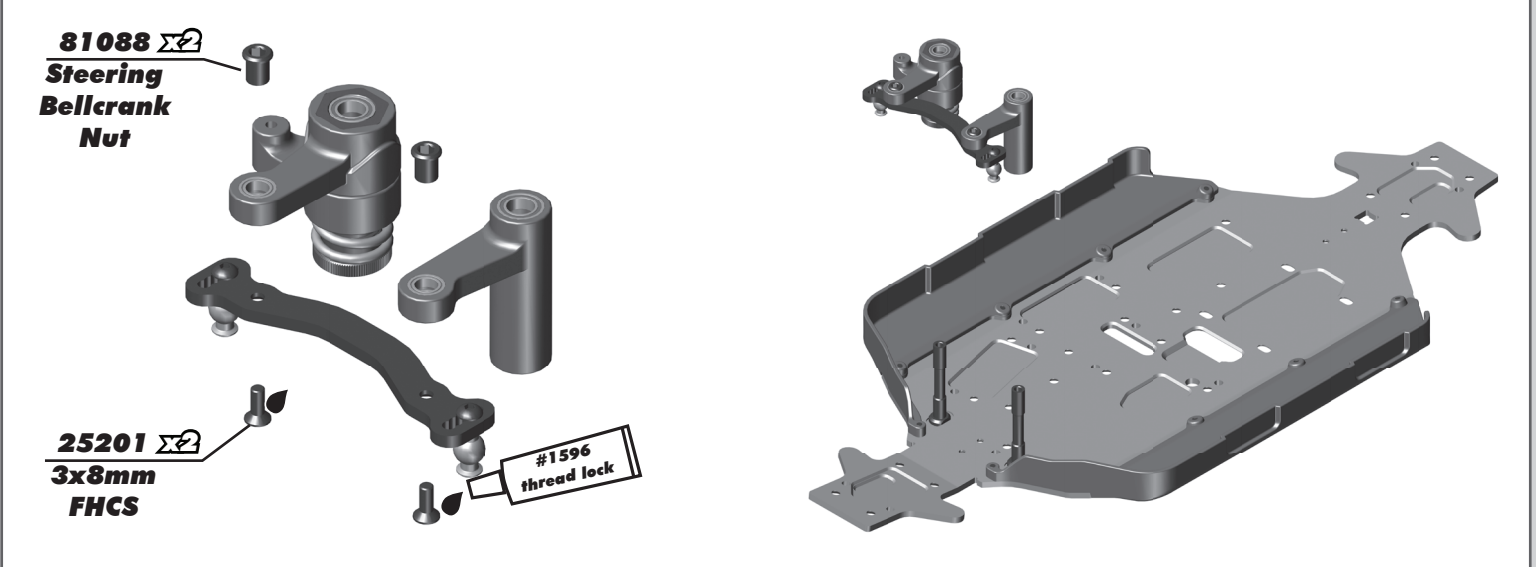
:: Steering / Chassis Build - Bag 2.1, 2.2 - Step 2



:: Steering / Chassis Build - Bag 2.1, 2.2 - Step 3



:: Steering / Chassis Build - Bag 2.1, 2.2 - Step 4



:: Front Gearbox Build - Bag 3.1, 3.2 - Step 1



Racer's Tip:
Use black grease (#6588) to lube the Diff Pinion before installation!

81003
Diff Pinion Gear, 13T

81015
Gearbox, (Inboard)

91561
6x12x4mm Bearing

89221
5x4mm Set Screw

#1596
Thread Lock

81020
Center Universal, (76mm)

81015
Dust Cap

4675
2.5x6mm FHCS

:: Front Gearbox Build - Bag 3.1, 3.2 - Step 2

NOTE:
Install the FRONT Diff!



81381
Diff Shim
13.5x15.8x0.20mm

81015
Gearbox, (Outboard)

25620
3x10mm SHCS

81015
Anti-Roll Bar Cap

81259
2.5x18mm BHCS



Step 1:
Add shims on this side to TIGHTEN gear mesh. Subtract shims on this side to LOOSEN gear mesh.

Step 2:
Add or subtract shims here to finalize diff side to side play once gear mesh is set from Step 1. Recommended diff side to side clearance (gearbox assembly) 0.10 - 0.25mm.

Notes:
0.1 mm shim can be used for fine tuning of gear mesh

:: Front Gearbox Build - Bag 3.1, 3.2 - Step 3

Kit Setup:



81292
RC8B3.1 Arm Mount (B)

81050
Arm Mount Insert, Center

81054
Front Arm, Lower

81054
Front Arm Shim, 1mm

81060
Hinge Pin

89317
Droop Screw



Note that each arm is marked with a R for the Right Arm or an L for the Left Arm.

:: Front Gearbox Build - Bag 3.1, 3.2 - Step 4

Kit Setup:

81291 RC8B3.1 Arm Mount (A)

81260 $\Sigma 2$ 4x14mm BHCS

81050 $\Sigma 2$ Arm Mount Insert, Center

89214 4x12mm FHCS

81112 Body Post, Front

81030 Top Plate

89216 M4 Locknut

25201 3x8mm FHCS

81032 Chassis Brace, Front

:: Front Gearbox Build - Bag 3.1, 3.2 - Step 5

Kit Setup:

25201 $\Sigma 2$ 3x8mm FHCS

81049 Upper Link Mount

81050 $\Sigma 2$ Arm Mount Insert, Center, Inside

89214 $\Sigma 2$ 4x12mm FHCS

89225 $\Sigma 2$ 3x24mm SHCS

81196 $\Sigma 2$ Shock Bushing

81026 Shock Tower, Front

81050 $\Sigma 2$ Arm Mount Insert, Center

#1596 thread lock

:: Front Gearbox Build - Bag 3.1, 3.2 - Step 6

Caster Clips

0.9mm 1mm 2mm

89214 $\Sigma 4$ 4x12mm FHCS

81055 Caster Clip, 1.0mm

81060 Hinge Pin, Front Upper Short

81055 Caster Clip, 2.0mm

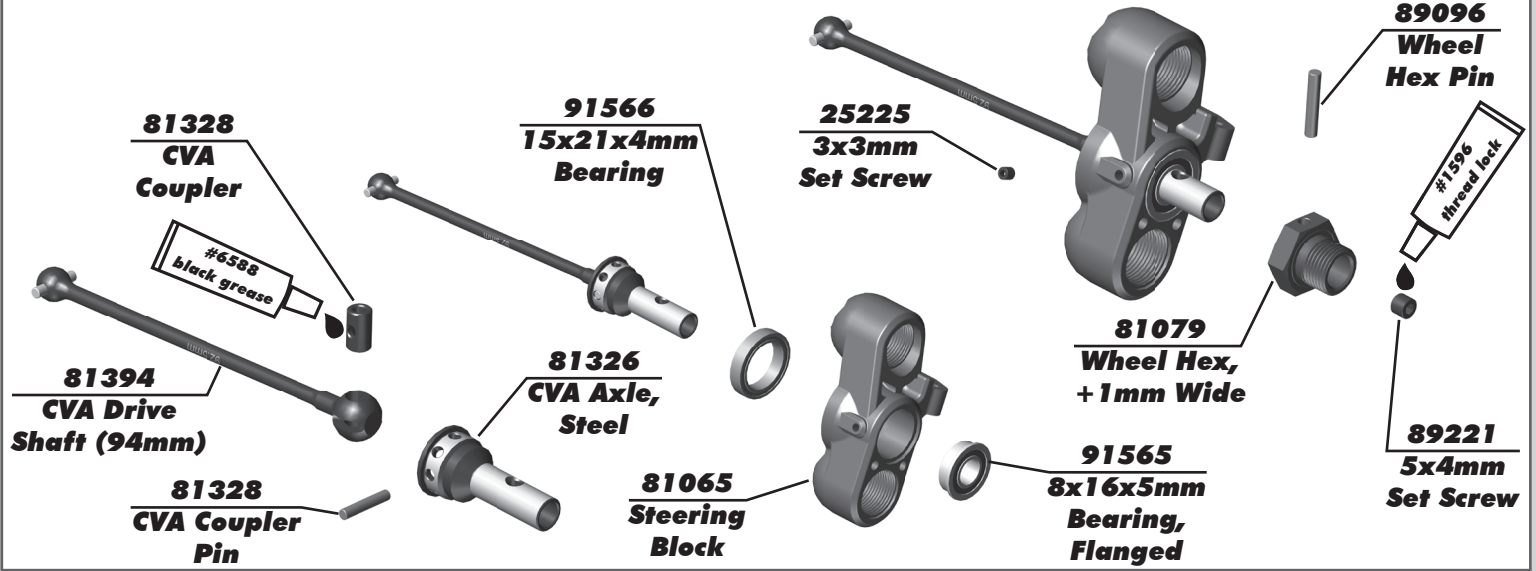
81055 Caster Clip, 0.9mm

81055 Front Upper Arms

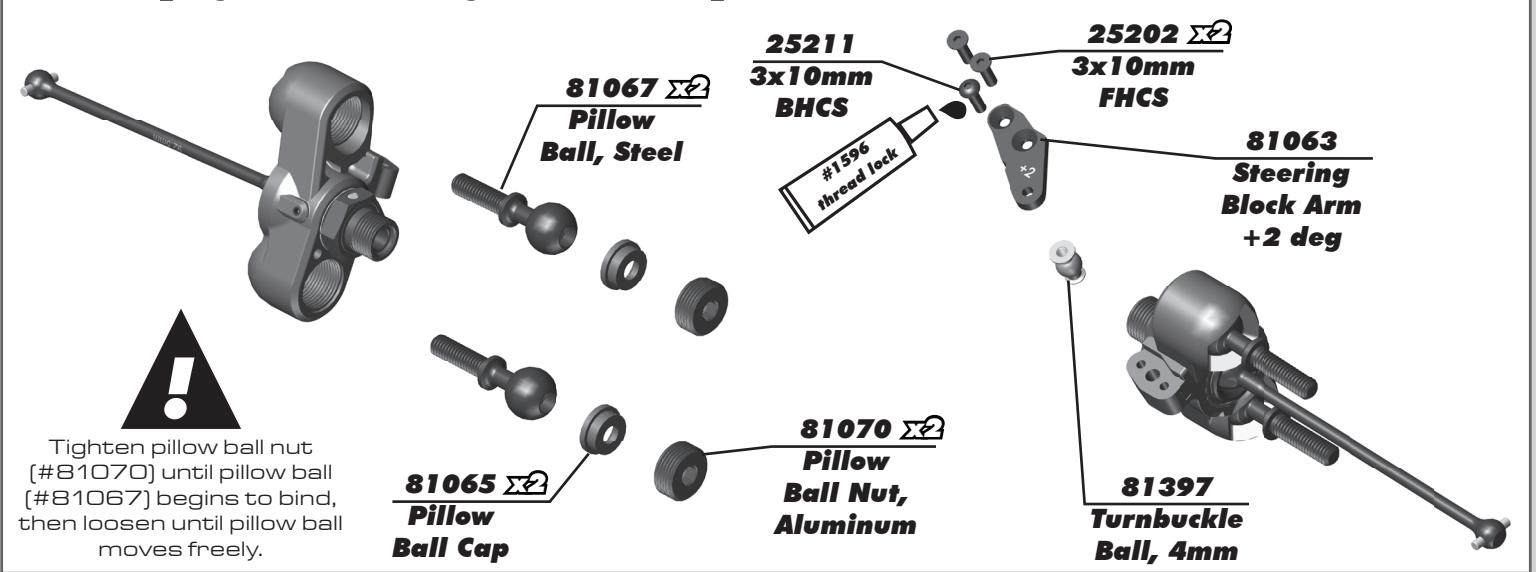
!

Note that each arm is marked with a R for the Right Arm or an L for the Left Arm.

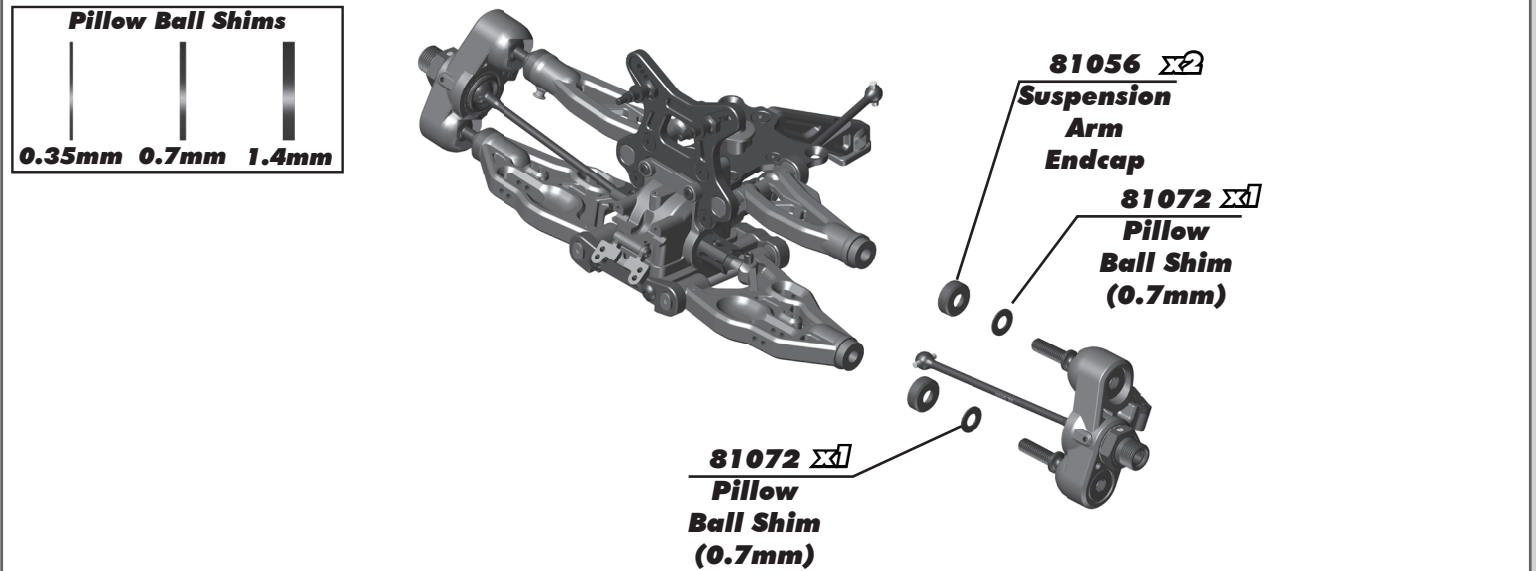
:: Front Uprights Build - Bag 4.1, 4.2 - Step 1



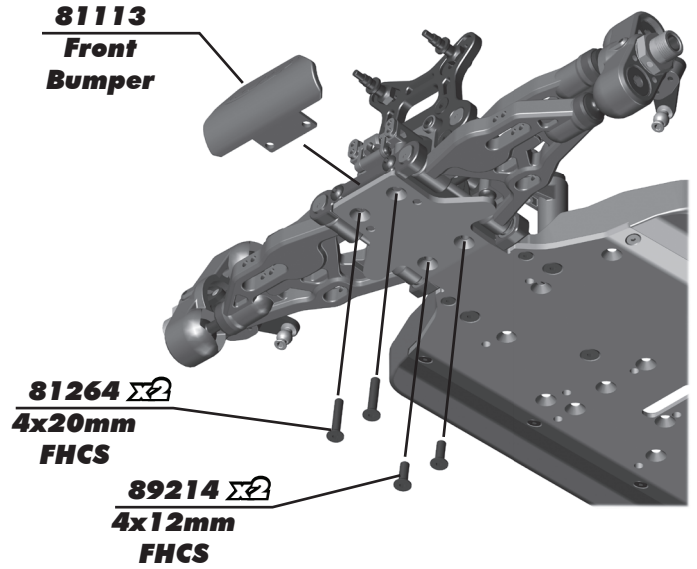
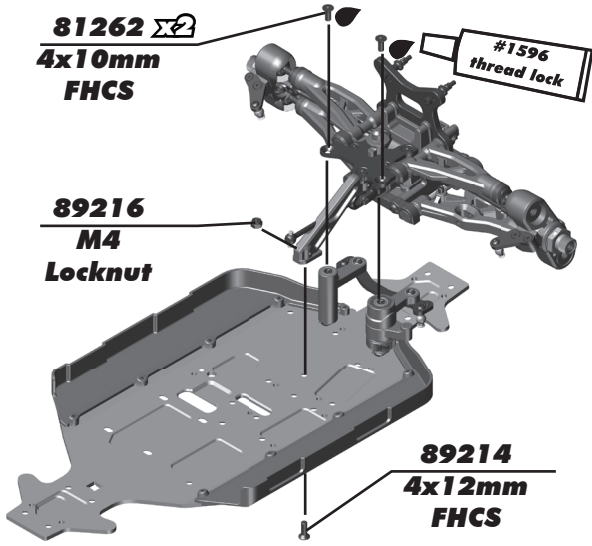
:: Front Uprights Build - Bag 4.1, 4.2 - Step 2



:: Front Uprights Build - Bag 4.1, 4.2 - Step 3



:: Front Uprights Build - Bag 4.1, 4.2 - Step 4



:: Rear Gearbox Build - Bag 5.1, 5.2 - Step 1



Racer's Tip:
Use black grease (#6588) to lube the Diff Pinion before installation!

81003 Diff Pinion Gear, 13T

81015 Gearbox, (Inboard)

81015 Dust Cap

4675 2.5x6mm FHCS

91561 Σ Σ
6x12x4mm Bearing

81021 Center Universal, (106mm)

89221 5x4mm Set Screw

#1596 thread lock

:: Rear Gearbox Build - Bag 5.1, 5.2 - Step 2

NOTE:
Install the REAR Diff!

81381 Diff Shim 13.5x15.8x0.20mm



81015 Gearbox, (Outboard)

25620 Σ Σ
3x10mm SHCS

81015 Anti-Roll Bar Cap

81259 2.5x18mm BHCS



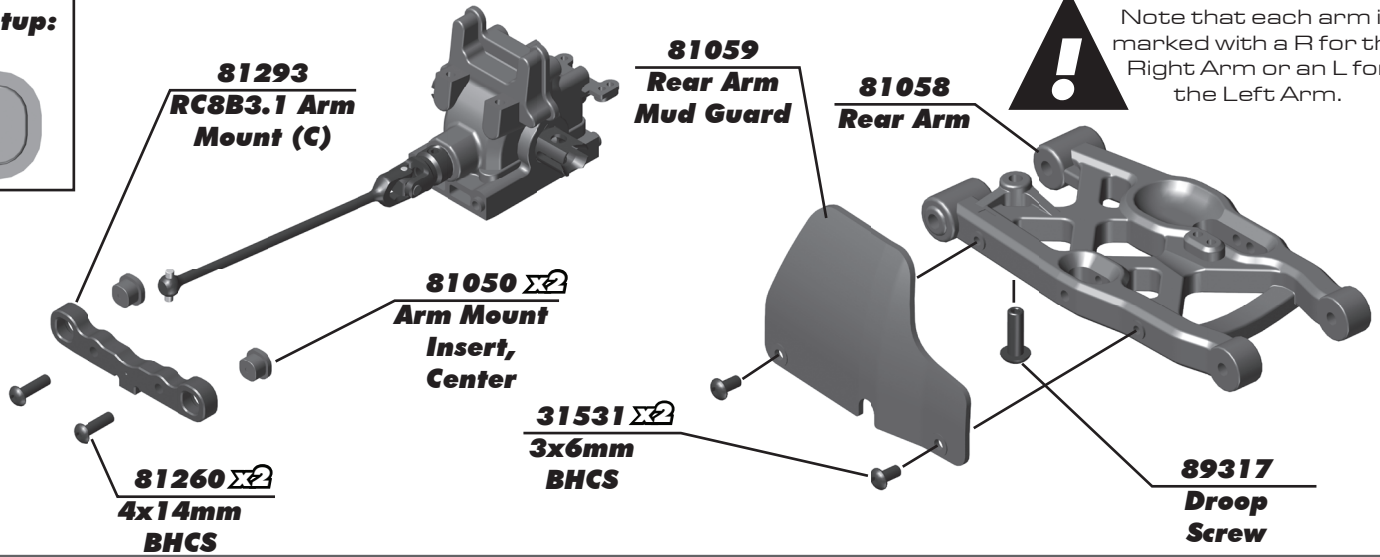
Step 1:
Add shims on this side to TIGHTEN gear mesh. Subtract shims on this side to LOOSEN gear mesh.

Step 2:
Add or subtract shims here to finalize diff side to side play once gear mesh is set from Step 1. Recommended diff side to side clearance (gearbox assembly) 0.10 - 0.25mm.

Notes:
0.1mm shim can be used for fine tuning of gear mesh.

:: Rear Gearbox Build - Bag 5.1, 5.2 - Step 3

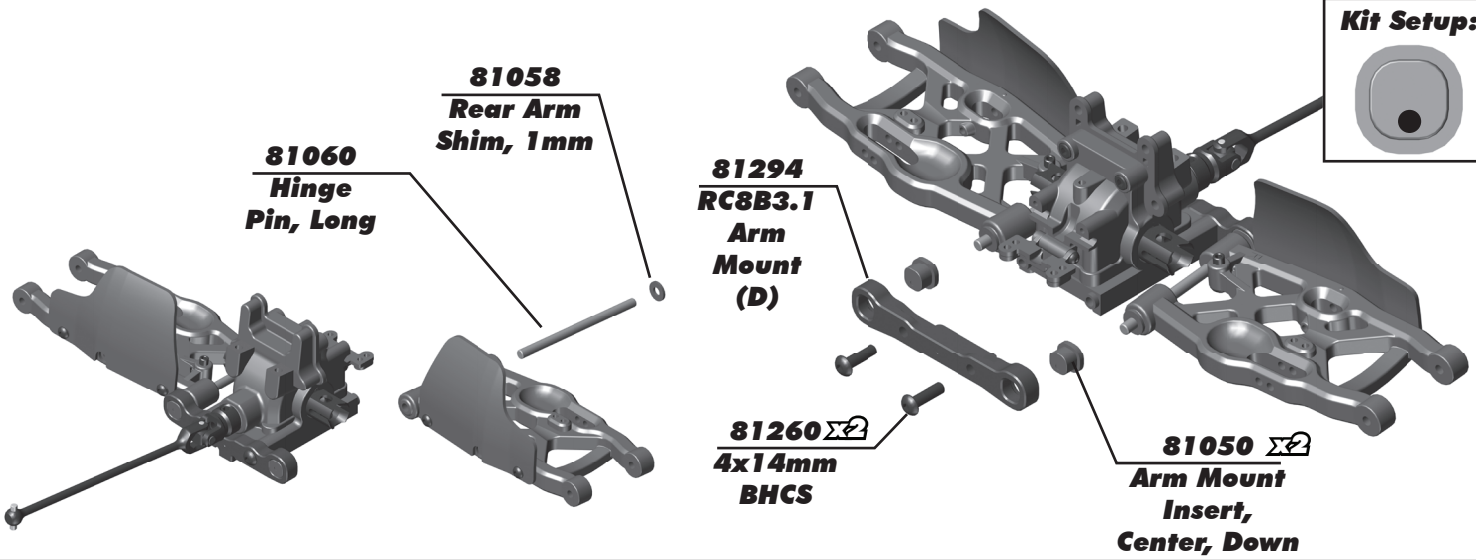
Kit Setup:



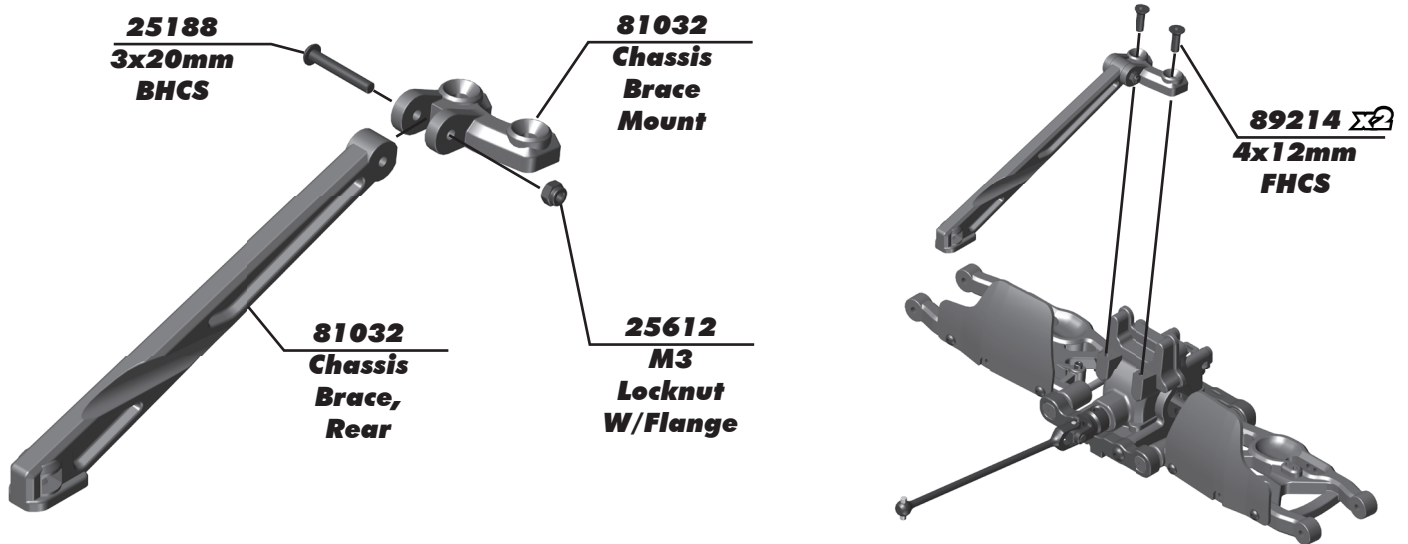
Note that each arm is marked with a R for the Right Arm or an L for the Left Arm.

:: Rear Gearbox Build - Bag 5.1, 5.2 - Step 4

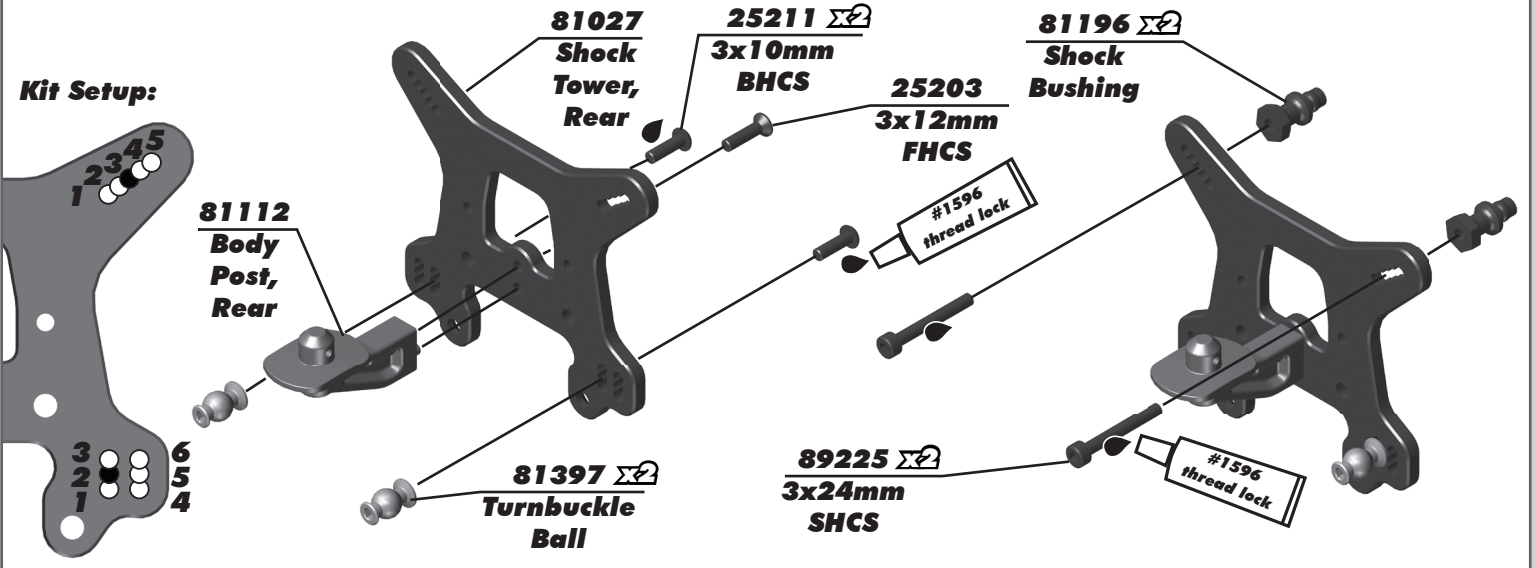
Kit Setup:



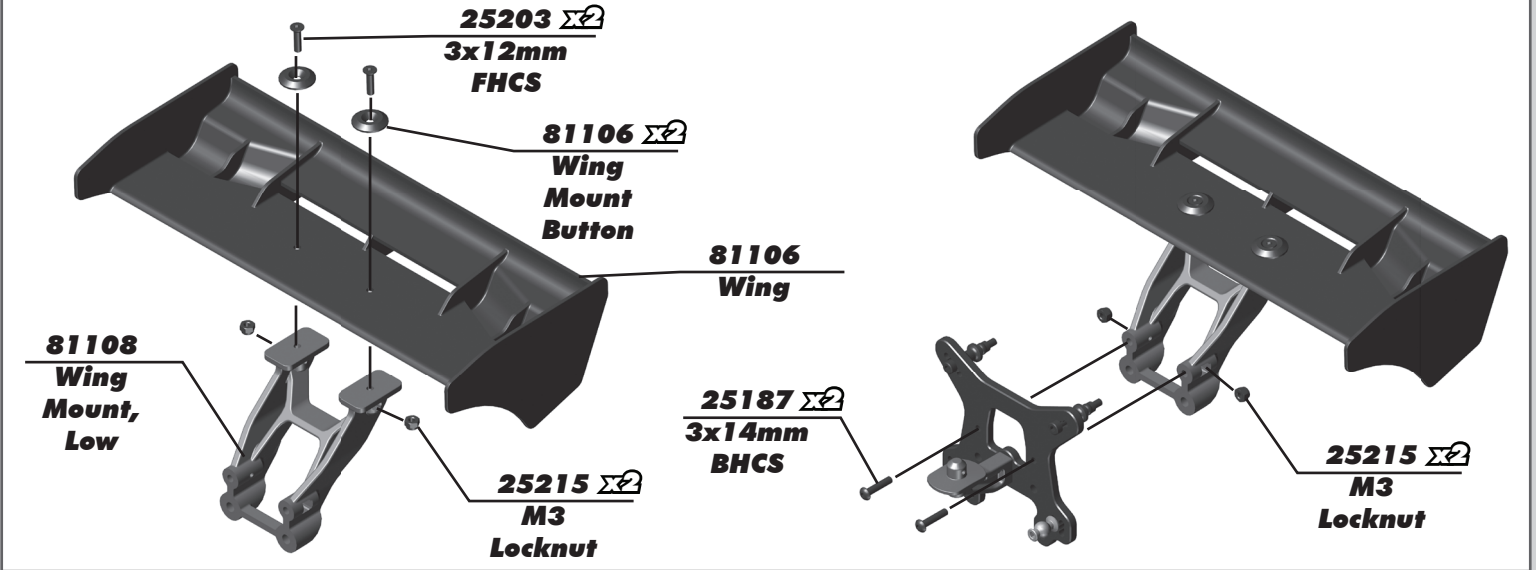
:: Rear Gearbox Build - Bag 5.1, 5.2 - Step 5



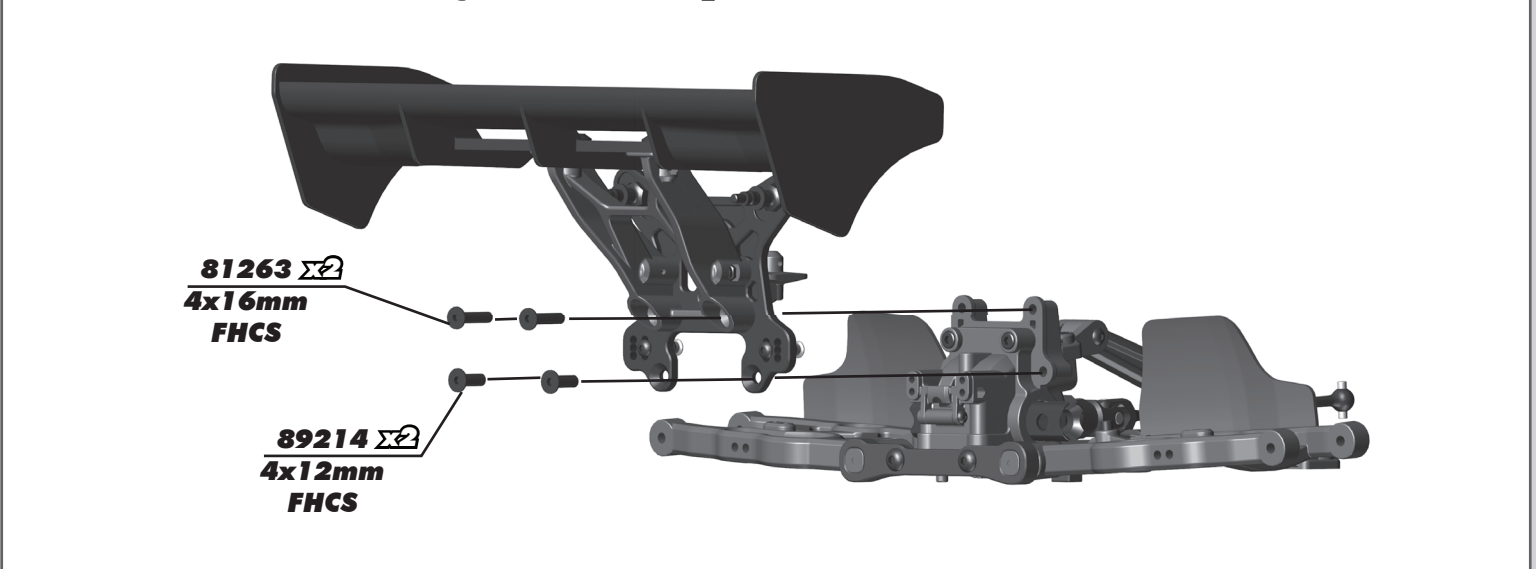
:: Rear Gearbox Build - Bag 5.1, 5.2 - Step 6



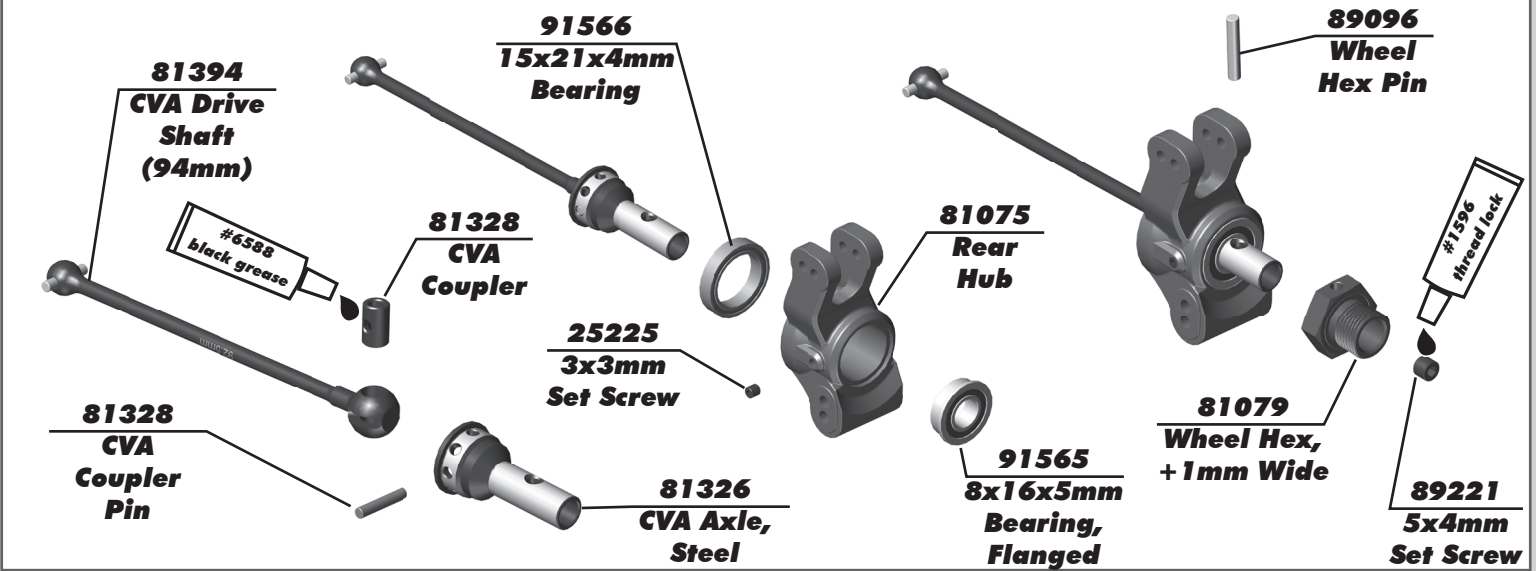
:: Rear Gearbox Build - Bag 5.1, 5.2 - Step 7



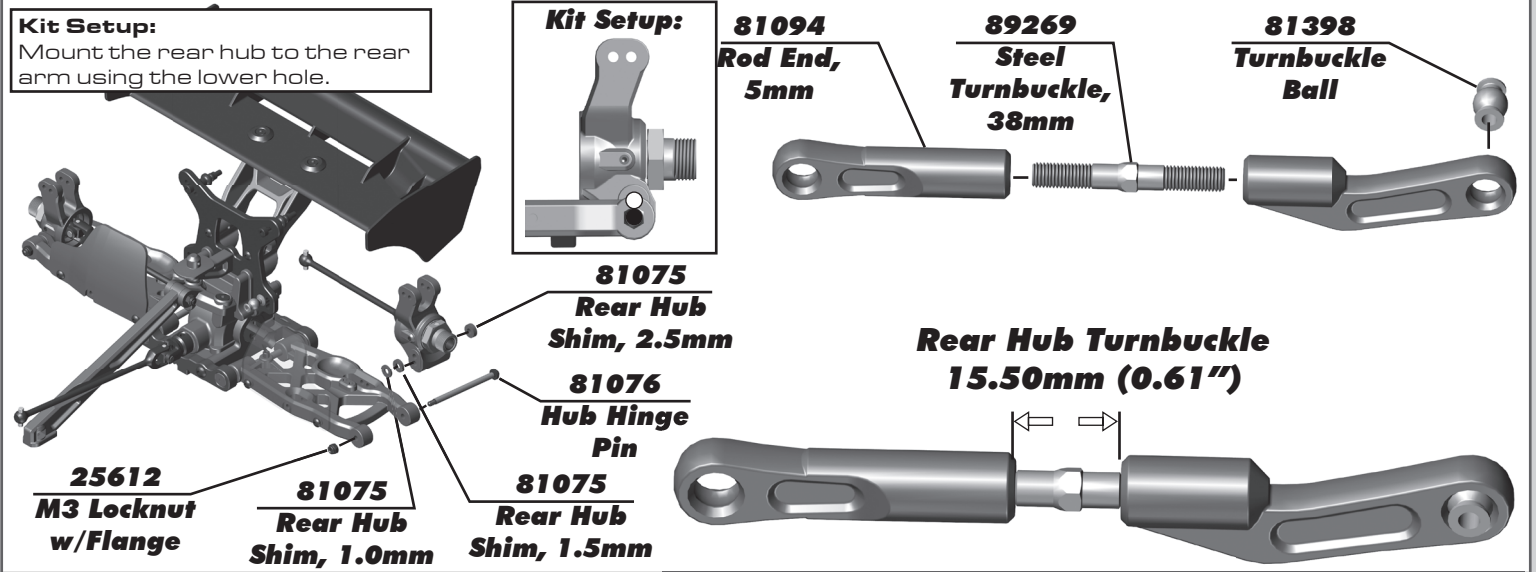
:: Rear Gearbox Build - Bag 5.1, 5.2 - Step 8



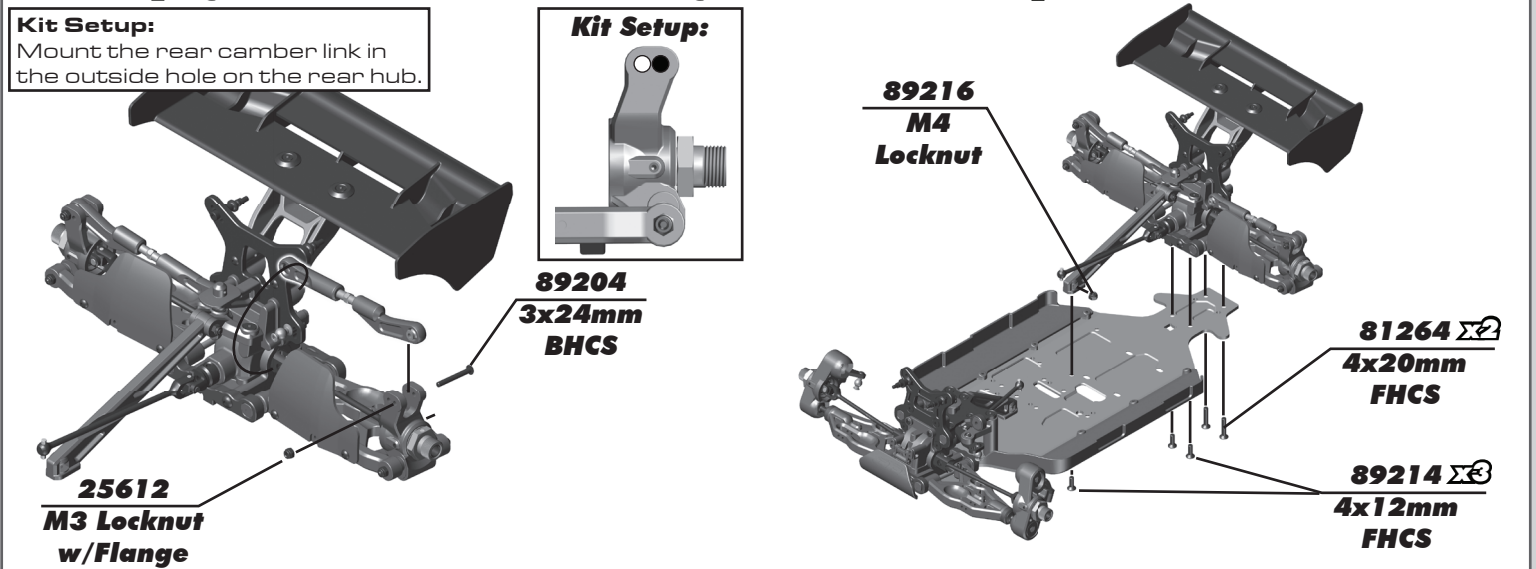
:: Rear Uprights / Turnbuckles Build - Bag 6.1, 5.2 cont. - Step 1



:: Rear Uprights / Turnbuckles Build - Bag 6.1, 5.2 cont. - Step 2



:: Rear Uprights / Turnbuckles Build - Bag 6.1, 5.2 cont. - Step 3



:: Rear Uprights / Turnbuckles Build - Bag 6.1, 5.2 cont. - Step 4

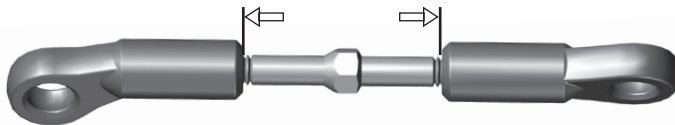
81093
Rod End,
4mm

89526
4x50mm
Turnbuckle

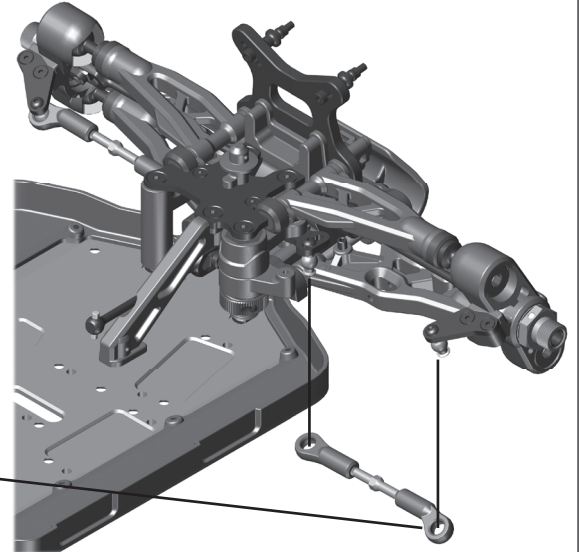
81093
Rod End,
4mm



Steering Turnbuckle
24.90mm (0.98")



Note direction



:: Center Bulkhead / Brakes Build - Bag 7.1, 7.2 - Step 1



Align slotted holes on the same side when installing brake pads.

81038 $\Sigma 2$
Brake Pad Spring

89149 $\Sigma 2$
Brake Bolt

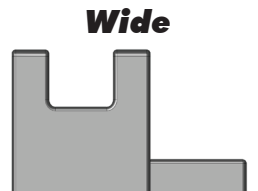
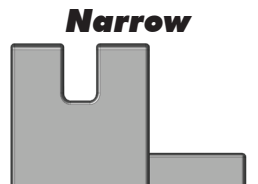
81036
Center Bulkhead

81037
Brake Rotor

31448
2.5x8mm FHCS

Build x2

81036
Rotor Guide, Narrow



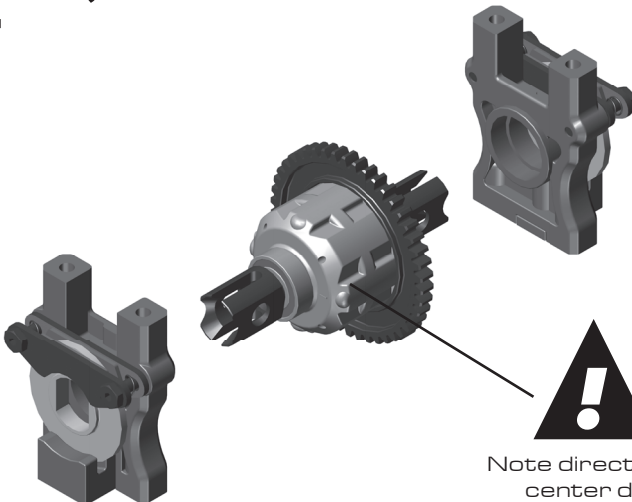
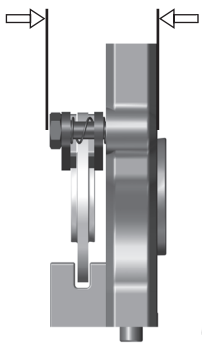
Wide Rotor Guide used for optional brake rotors.

Build x2

81039 $\Sigma 2$
Brake Pad

:: Center Bulkhead / Brakes Build - Bag 7.1, 7.2 - Step 2

18.40mm (0.72")

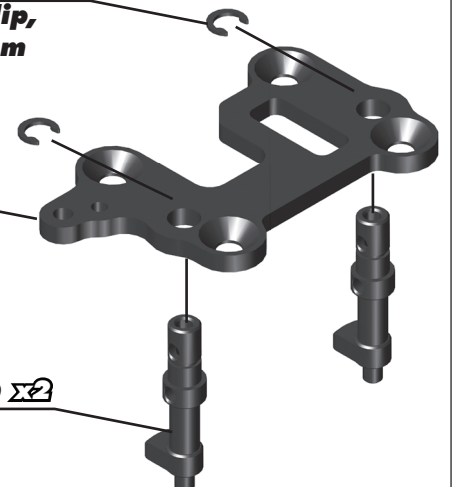


Note direction of center diff.

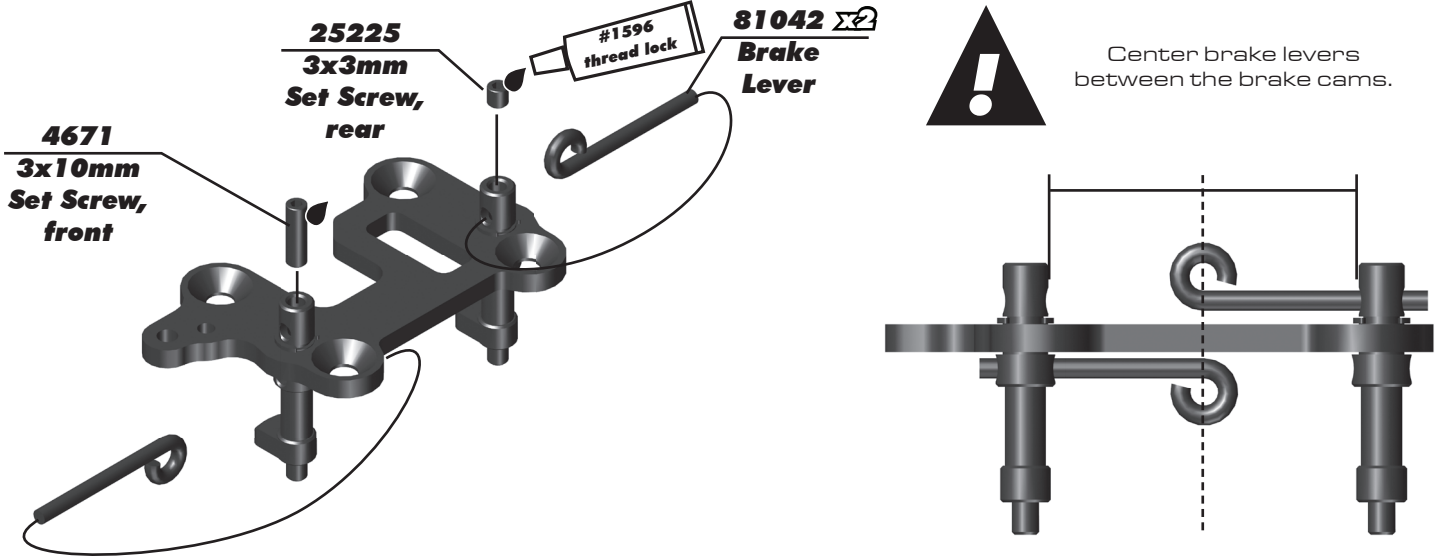
81256 $\Sigma 2$
C-Clip, 5mm

81043
Center Top Plate

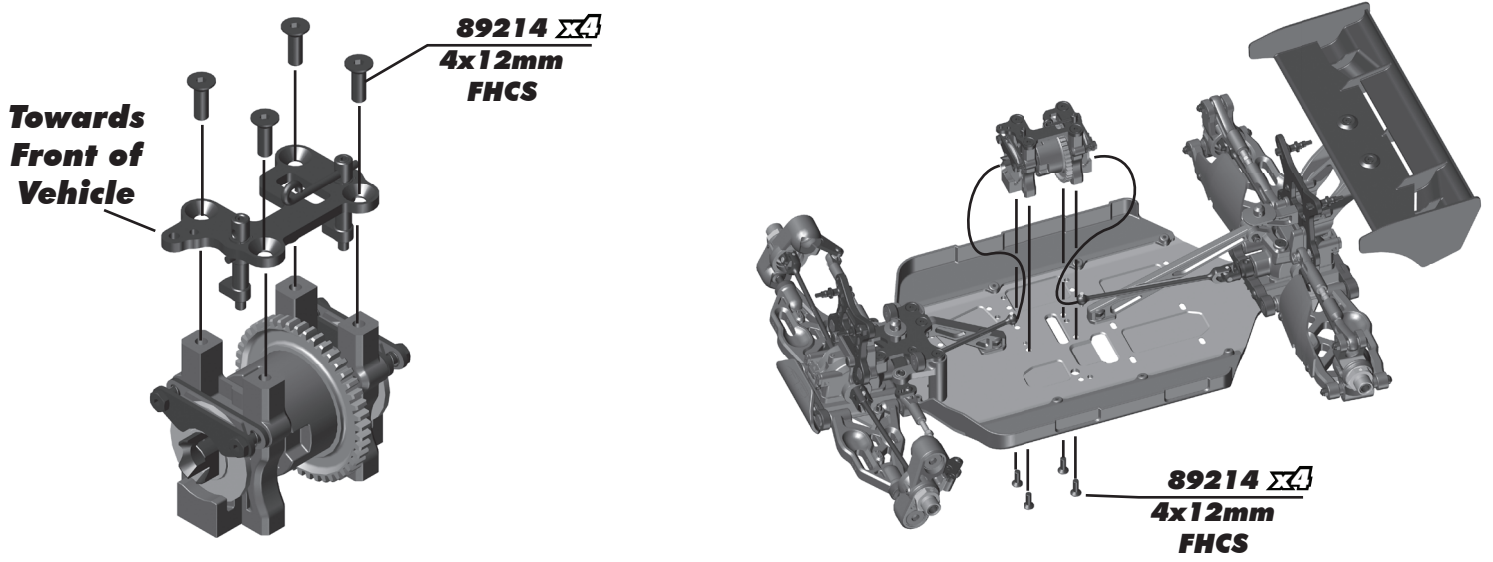
81040 $\Sigma 2$
Brake Cam



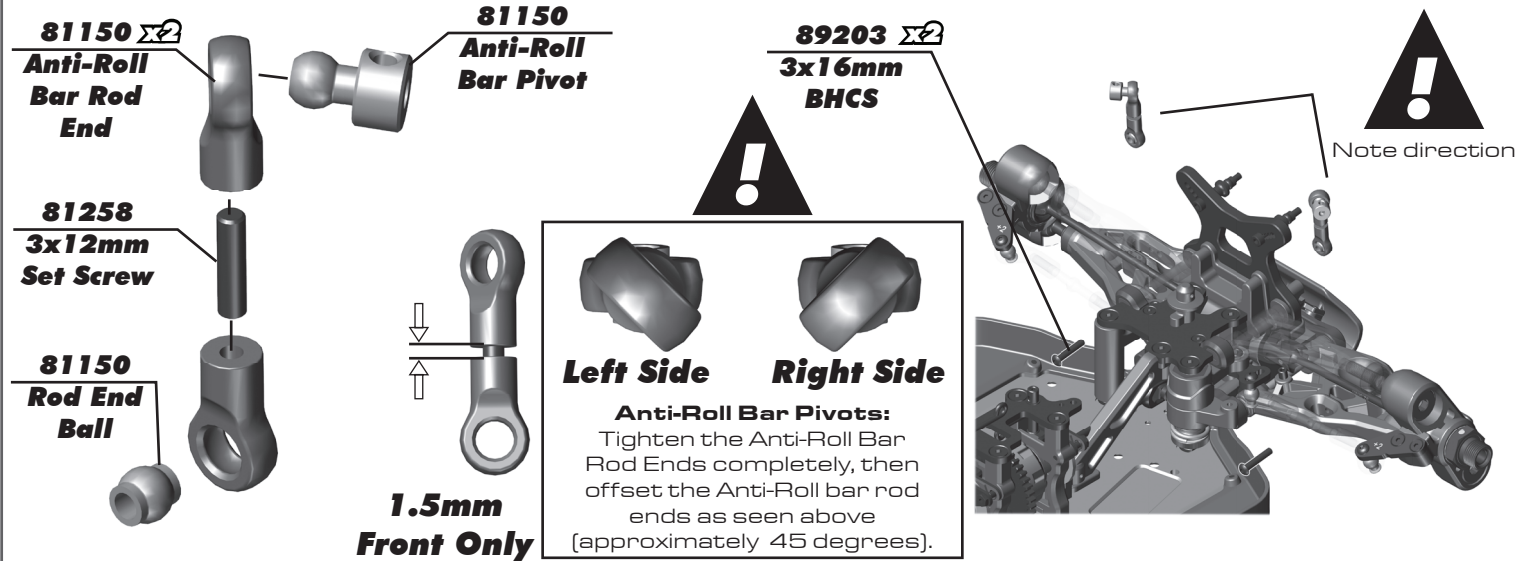
:: Center Bulkhead / Brakes Build - Bag 7.1, 7.2 - Step 3



:: Center Bulkhead / Brakes Build - Bag 7.1, 7.2 - Step 4



:: Anti-Roll Bars Build - Bag 8.1 - Step 1



:: Anti-Roll Bars Build - Bag 8.1 - Step 2

!
Center the Anti-Roll Bar Collet on the Anti-Roll Bar, then tighten the (#25225) 3x3mm set screw.

!
Front Anti-Roll Bar Gap: 2.3mm

81130
(Front) Anti-Roll Bar, Black 2.3mm

81140
(Rear) Anti-Roll Bar, Gray 2.7mm

81150
Anti-Roll Bar Collet

25225
3x3mm Set Screw

#1596 thread lock

Build front and rear Anti-Roll Bars

:: Anti-Roll Bars Build - Bag 8.1 - Step 3

25225 x2
3x3mm Set Screw

31521 x2
2.5x8mm BHCS

81257 x2
3x6mm Set Screw

89203 x2
3x16mm BHCS

#1596 thread lock

!
Tighten #81257 set screws just enough to still allow the anti-roll bar to move freely.

!
Rear Hub Turnbuckles removed for view clarity.

:: Anti-Roll Bars Build - Bag 8.1 - Step 4

25225 x2
3x3mm Set Screw

31521 x2
2.5x8mm BHCS

81257 x2
3x6mm Set Screw

#1596 thread lock

!
Rear Hub Turnbuckles removed for view clarity.

!
Tighten #81257 set screws just enough to still allow the anti-roll bar to move freely.

:: Shocks Build - Bag 9.1, 9.2 - Step 1

81200 Shock Piston (8x1.2 tapered)

89215 Shock Piston Locknut

89278 2.5x5mm Washer

81170 Shock Shaft, 30.5mm (Front)

81171 Shock Shaft, 39.5mm (Rear)

81185 Shock Body O-Ring

81185 O-Ring Hat Bushing

81188 Shock Body Seal Retainer

81160 Shock Body, 30.5mm (Front)

81161 Shock Body, 39.5mm (Rear)

81186 Shock O-Ring

81185 O-Ring Spacer

81190 Shock Boots

81193 Shock Rod End and Ball

Racer's Tip: Use shock fluid or green slime (#1105) to lube the O-Rings before installation!

:: Shocks Build - Bag 9.1, 9.2 - Step 2

81181 Shock Cap Insert

81179 Bleeder Cap

81184 Seal, Bleeder Cap

Front Shock Fluid: 37.5wt #5433

Rear Shock Fluid: 32.5wt #5432

!
When installing the shock cap seal, make sure it is correctly seated within the shock cap as shown.

:: Shocks Build - Bag 9.1, 9.2 - Step 3

!
Secure cap to body but do not over tighten!

!
Compress shock shaft fully. Let shock fluid bleed from the bleeder hole.

91492 2x4mm BHCS

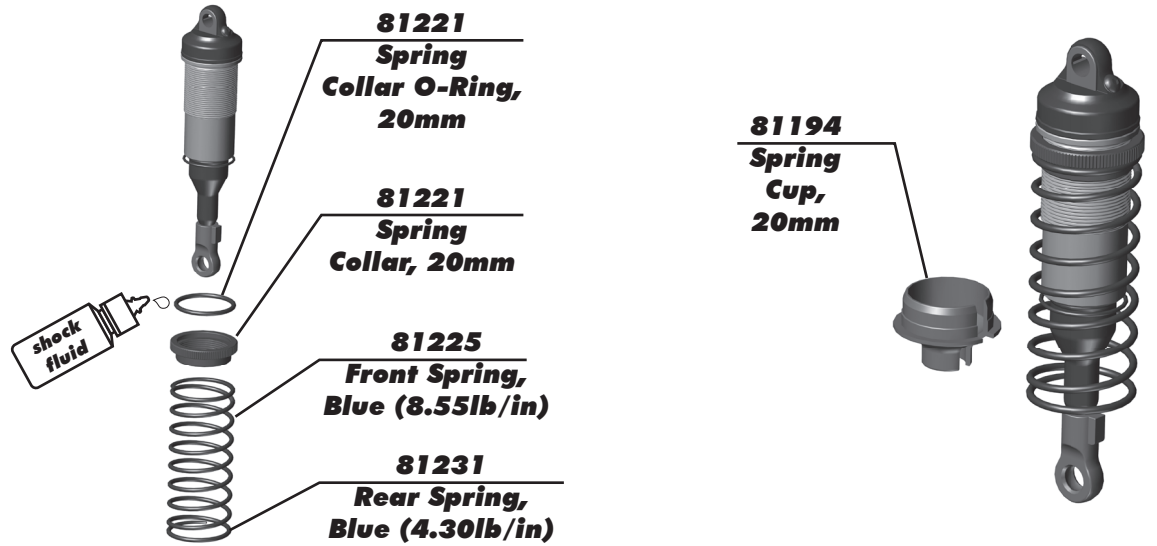
91492 Gasket

!
Some residual shock fluid may appear from your first few runs around the shock cap as a result of bleeding.

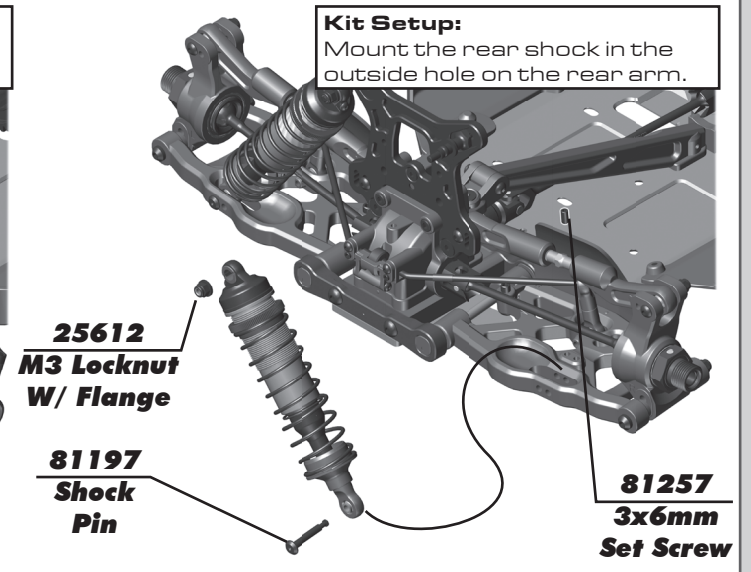
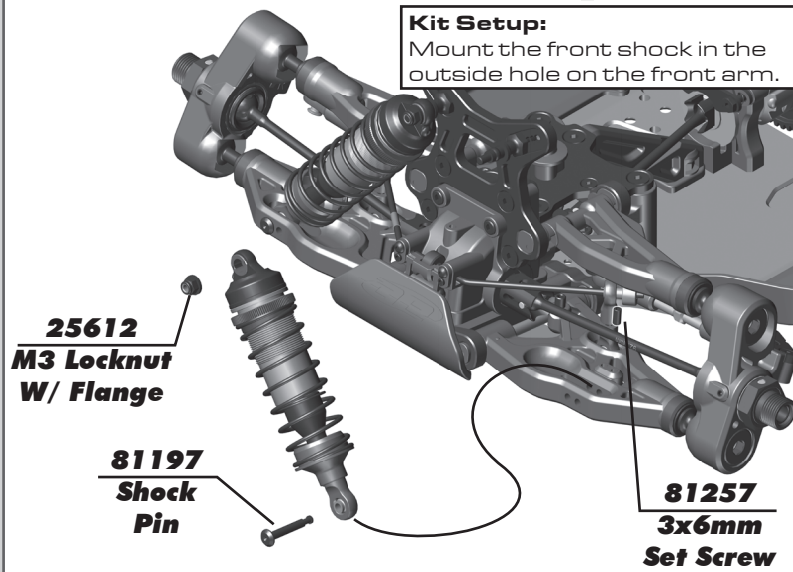
:: Shocks Build - Bag 9.1, 9.2 - Step 4



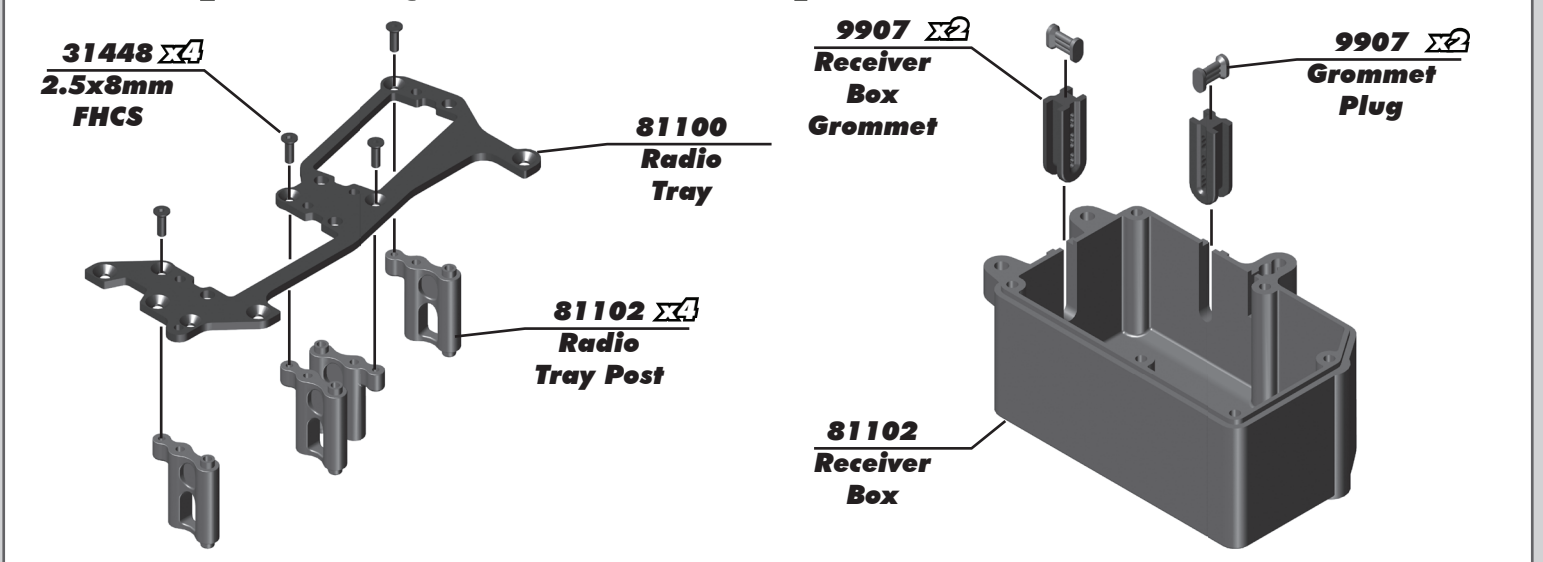
The shock springs come with colored heat shrink tubing. Install them on the springs for easy identification.



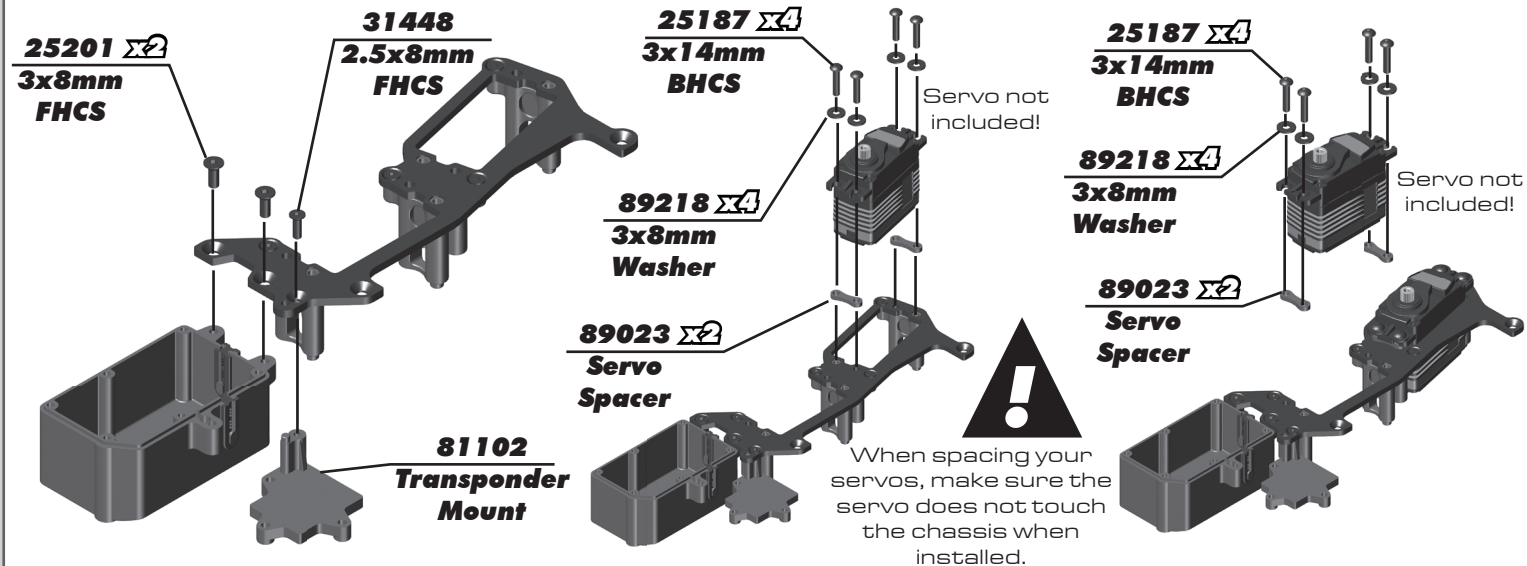
:: Shocks Build - Bag 9.1, 9.2 - Step 5



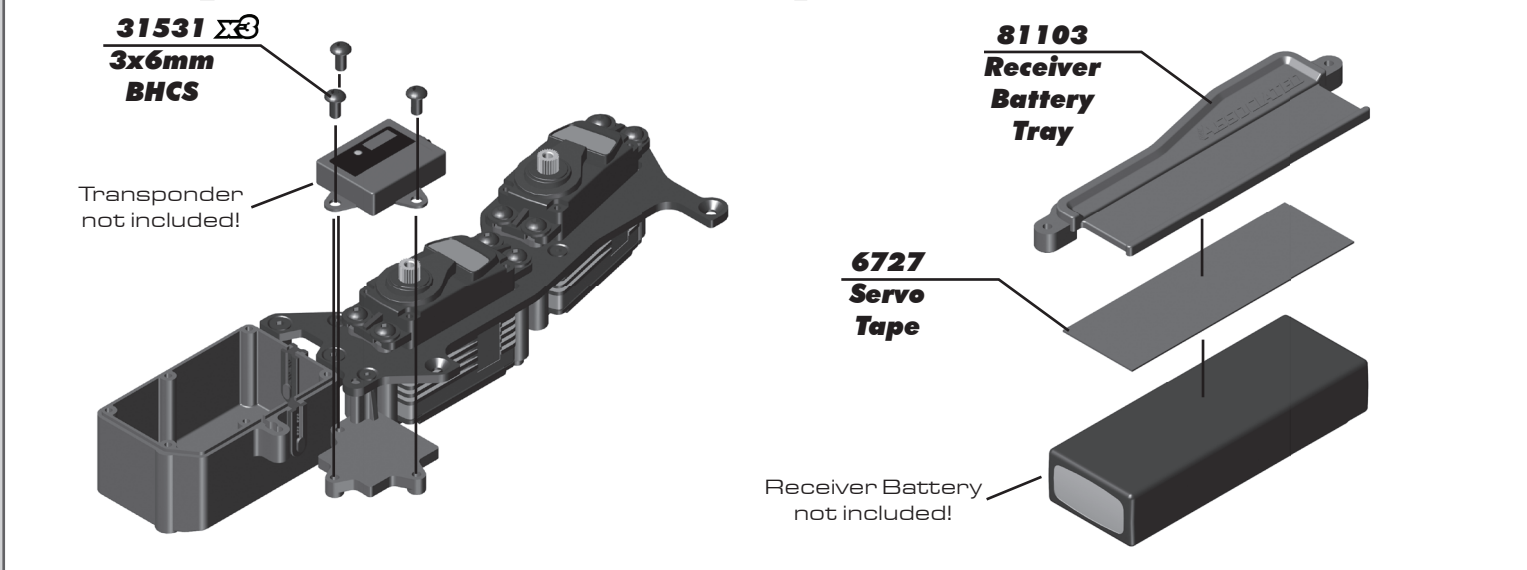
:: Radio Tray Build - Bag 10.1, 10.2, 10.3 - Step 1



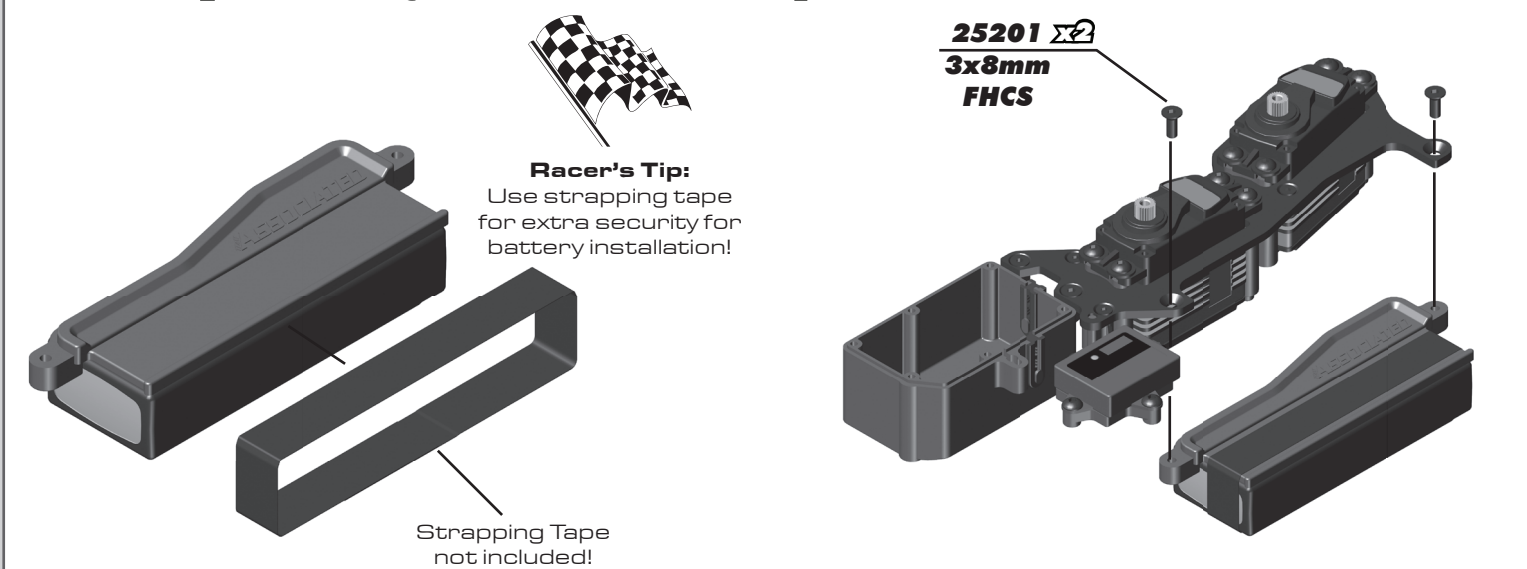
:: Radio Tray Build - Bag 10.1, 10.2, 10.3 - Step 2



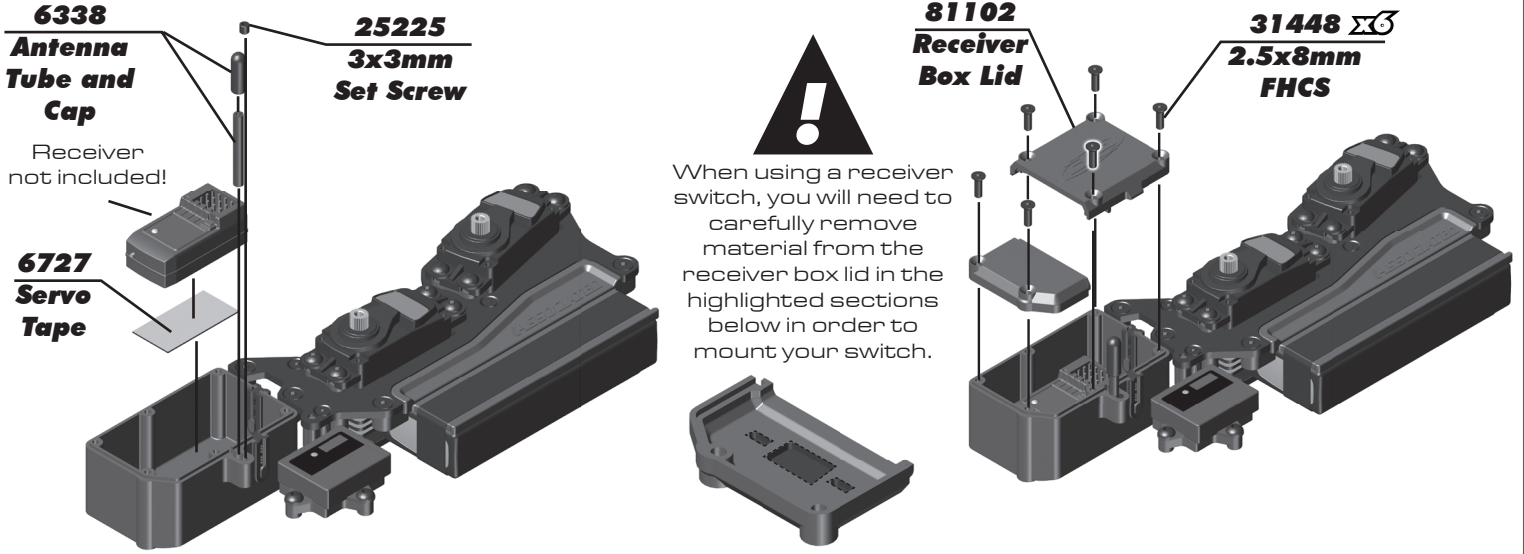
:: Radio Tray Build - Bag 10.1, 10.2, 10.3 - Step 3



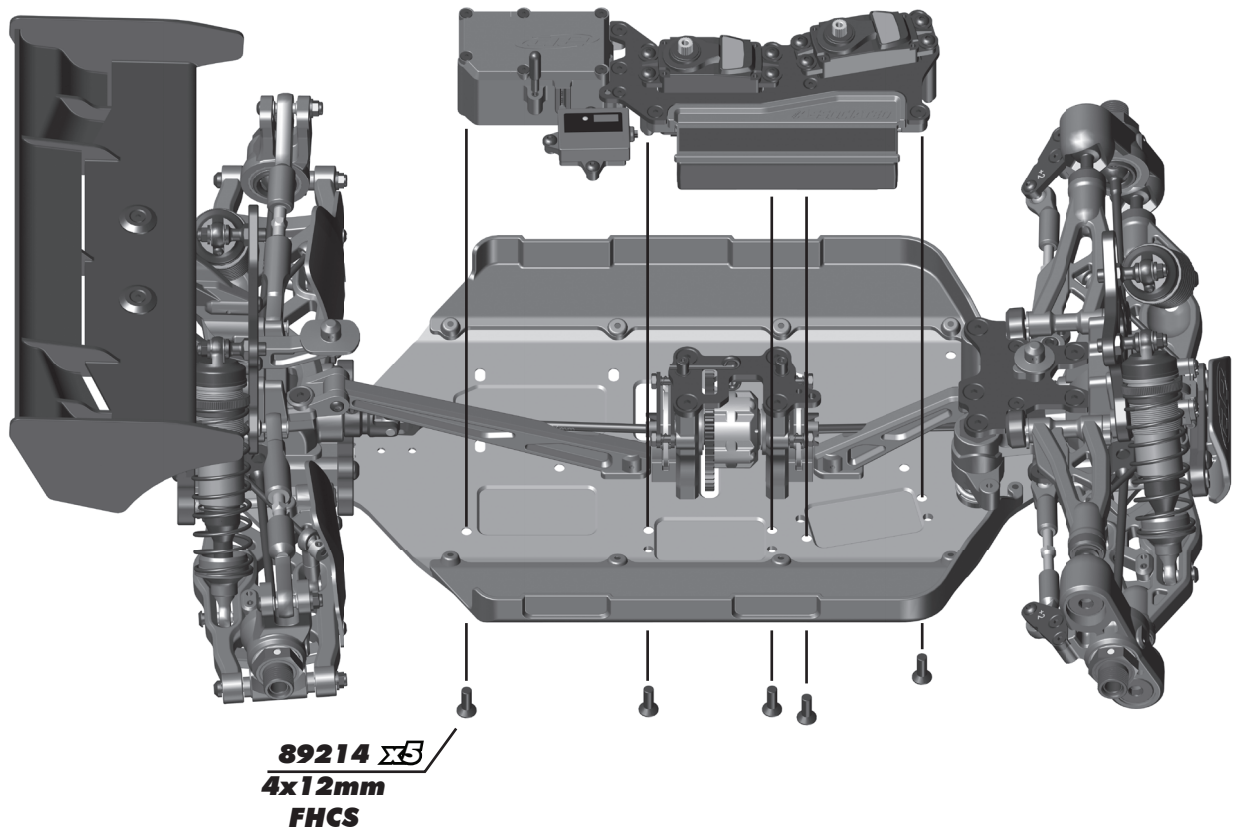
:: Radio Tray Build - Bag 10.1, 10.2, 10.3 - Step 4



:: Radio Tray Build - Bag 10.1, 10.2, 10.3 - Step 5



:: Radio Tray Build - Bag 10.1, 10.2, 10.3 - Step 6



:: Servo Horns / Linkage Build - Bag 11.1, 11.2 - Step 1

91048
HD Ball Stud, 8mm

1401
33mm Turnbuckle

91453 $\Sigma 2$
HD Ball Cup

81250
Servo Horn (Steering) and Cone Washer

25215
M3 Locknut

91050
HD Ball Stud, 12mm

81250
Servo Horn Insert

4617
2mm Shim

81250
Servo Horn Large Ring

Steering Servo Turnbuckle
11.50mm (0.45")

Printed here
A - Airtronics
F - Futaba
H - Hitec
J - JR/KO

:: Servo Horns / Linkage Build - Bag 11.1, 11.2 - Step 2

25201
3x8mm FHCS

4617
Shim, 2mm

7184
2x16mm SHCS

81250
Servo Horn, Throttle

81250
Servo Horn, Large Ring

81250
Cone Washer

81251 $\Sigma 3$
Servo Horn Pivot

81251
Pivot Bushing, Brake

81251 $\Sigma 3$
Washer

81251
Pivot Bushing, Throttle

81251
Servo Horn Insert

81251 $\Sigma 3$
Servo Horn, Throttle

81251
Servo Horn, Large Ring

Racer's Tip:
Center servo before horn installation!

Printed here
A - Airtronics
F - Futaba
H - Hitec
J - JR/KO

:: Servo Horns / Linkage Build - Bag 11.1, 11.2 - Step 3

#1596
thread lock

81251
Throttle Spring

81251
Set Collar

81251
Throttle Ball Cup

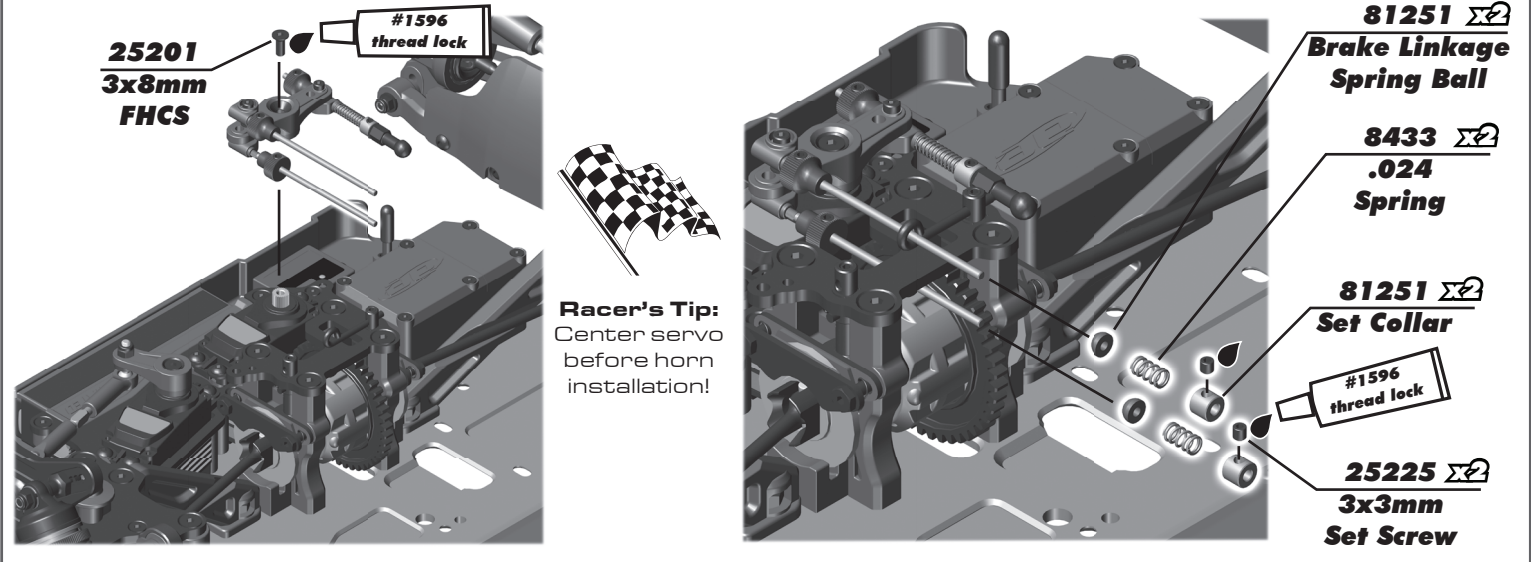
81251 $\Sigma 3$
Brake Link

81251 $\Sigma 3$
Brake Bias Collar

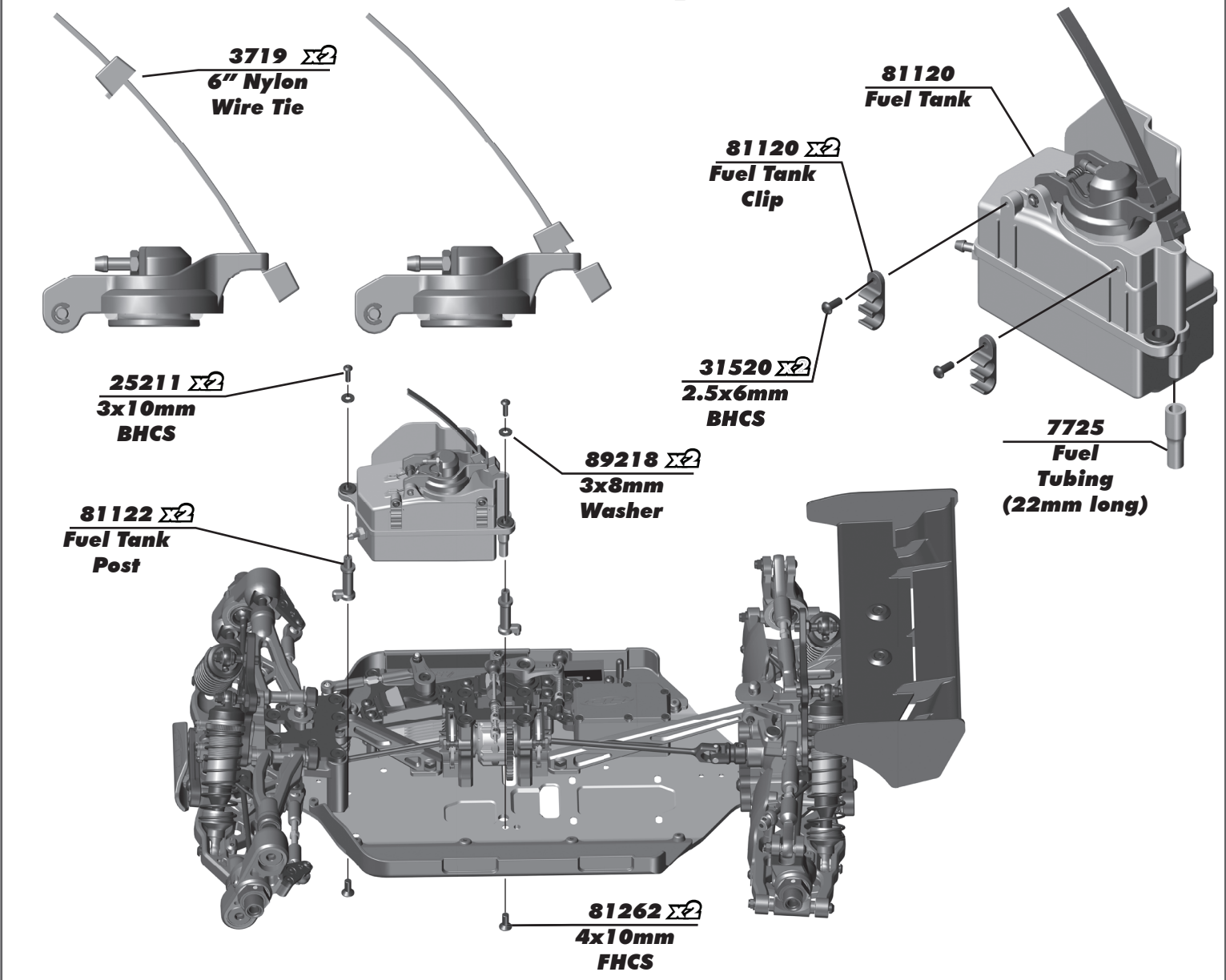
25225 $\times 4$
3x3mm Set Screw

!
Install Brake Links so they are flush with the back of the servo horn pivots.

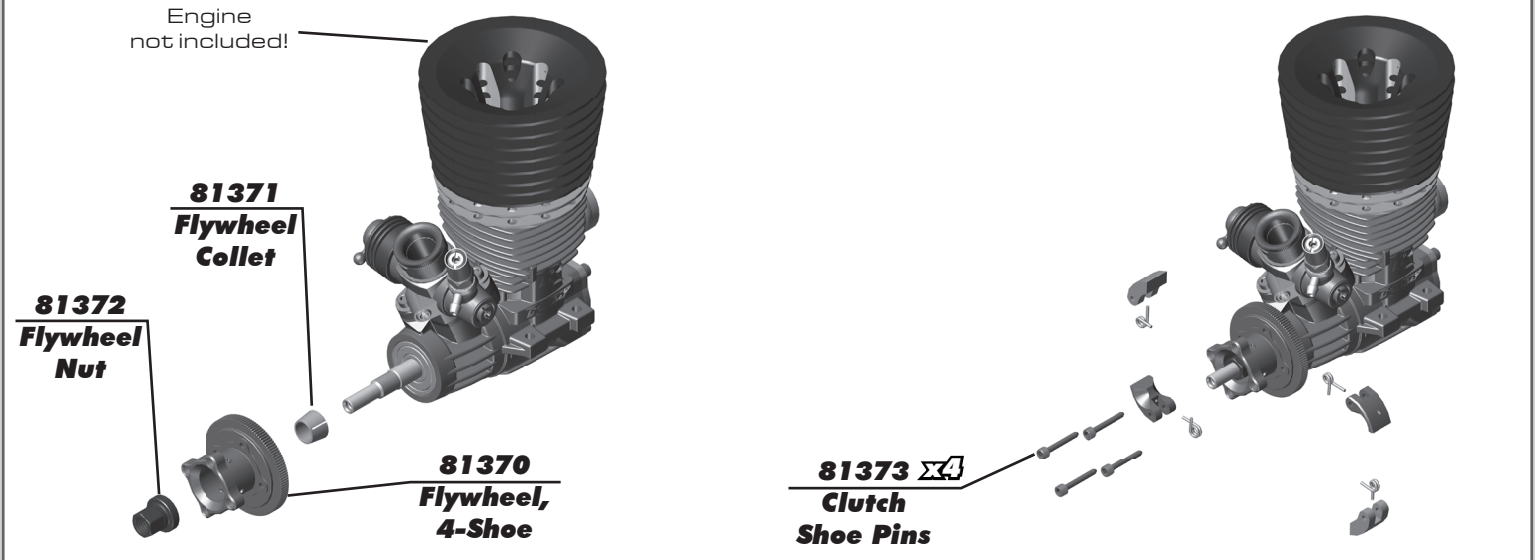
:: Servo Horns / Linkage Build - Bag 11.1, 11.2 - Step 4



:: Engine / Tank Build - Bag 12.1, 12.2, 12.3 - Step 1



:: Engine / Tank Build - Bag 12.1, 12.2, 12.3 - Step 2

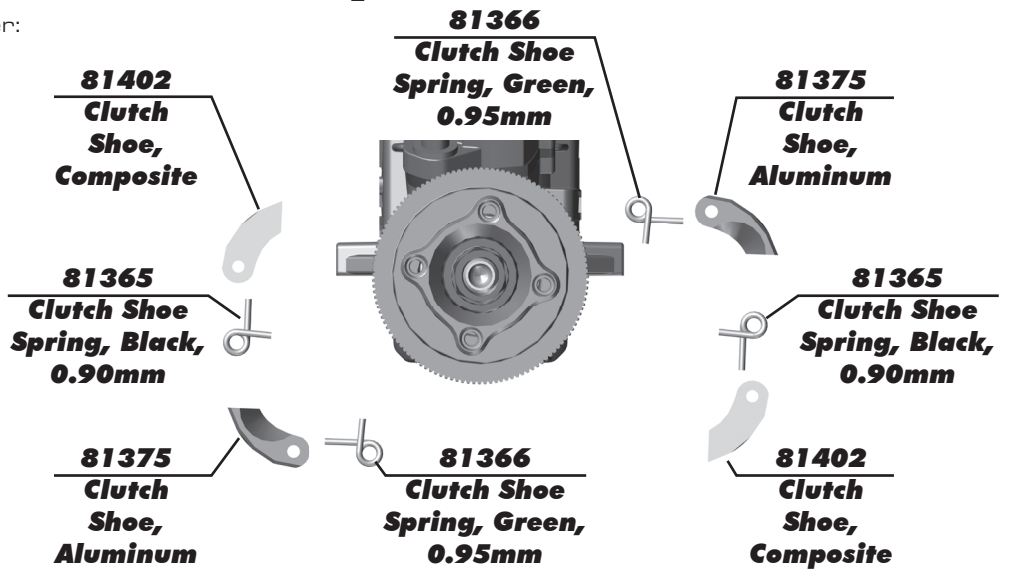


:: Engine / Tank Build - Bag 12.1, 12.2, 12.3 - Step 3

Clutch Shoe / Spring Installation Order:



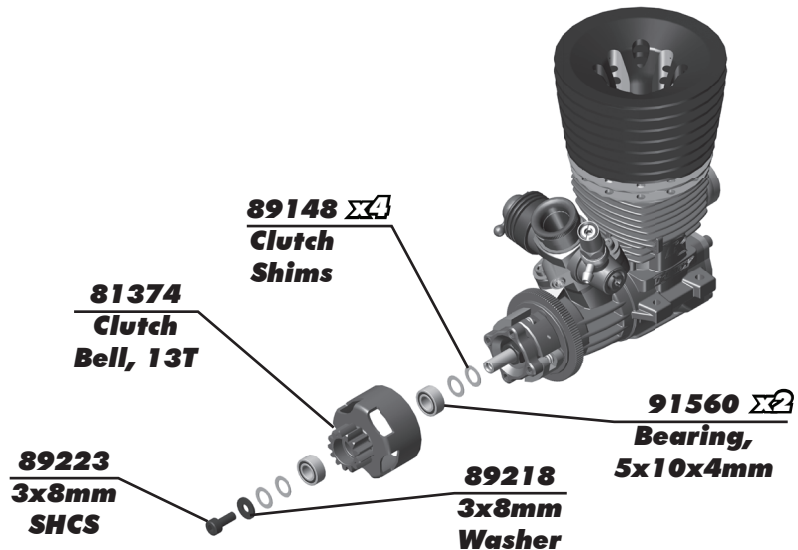
Short end of clutch shoe spring installed into flywheel.
Long end of clutch shoe spring installed into clutch shoe.



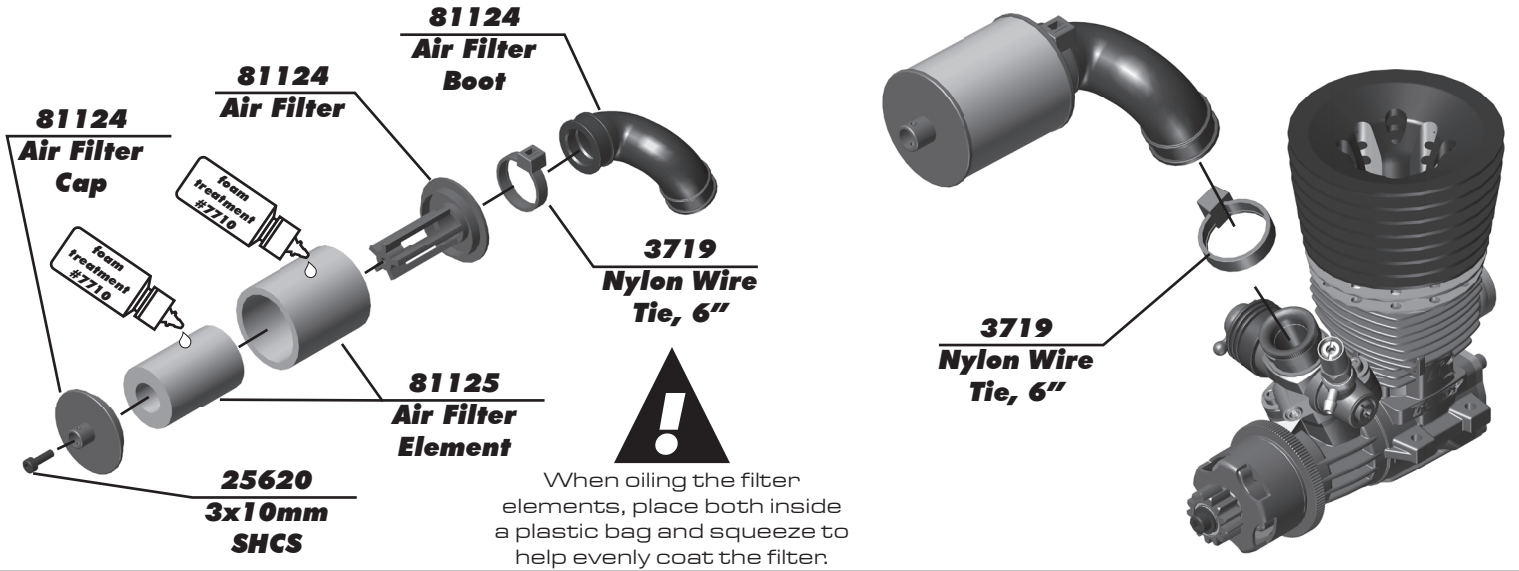
:: Engine / Tank Build - Bag 12.1, 12.2, 12.3 - Step 4

Clutch shimming instructions:
If assembly does not spin freely, use #89148 (small clutch shim included in kit) on screw to increase end play.
If crankcase extends past clutch bearing, use #89218 (large clutch shim included in kit) to reduce end play.

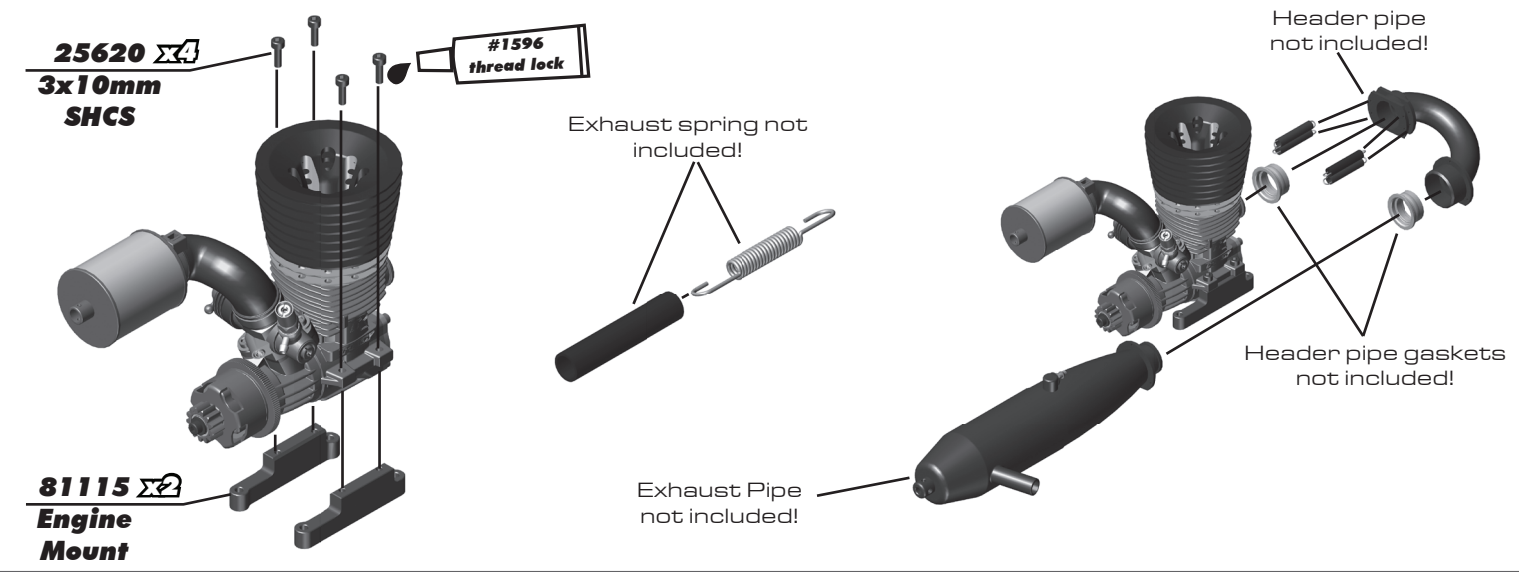
Recommended Clutch Bell Axial Play = 0.2 - 0.5mm



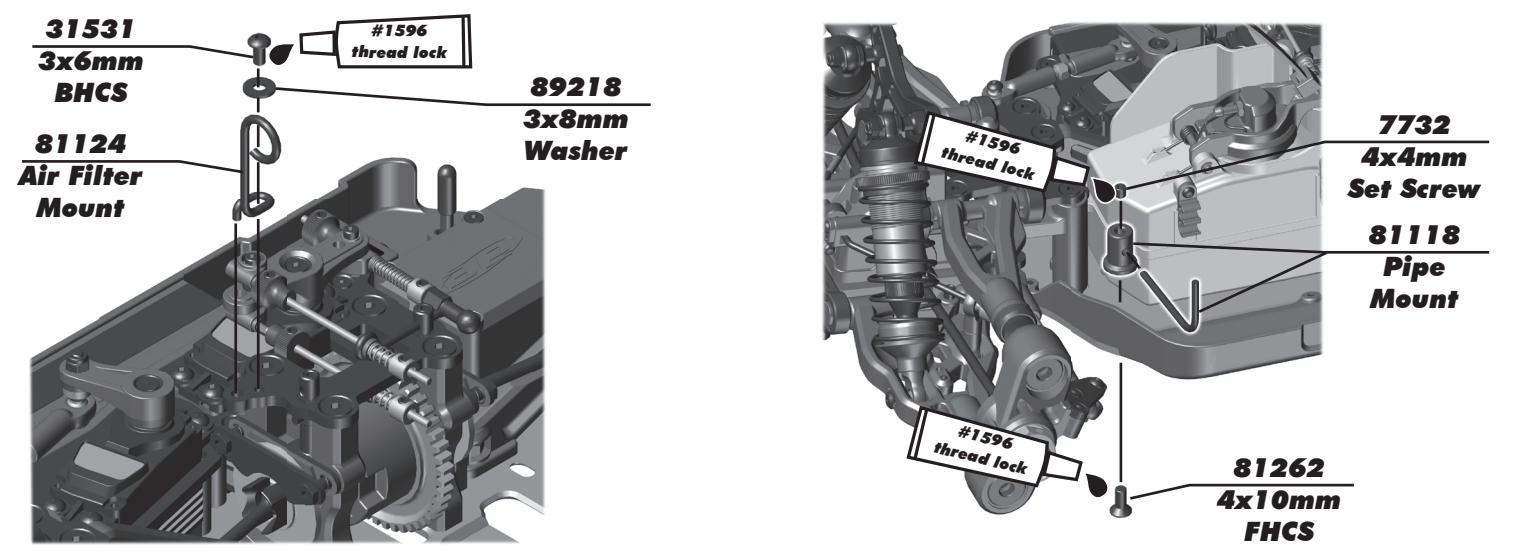
:: Engine / Tank Build - Bag 12.1, 12.2, 12.3 - Step 5



:: Engine / Tank Build - Bag 12.1, 12.2, 12.3 - Step 6



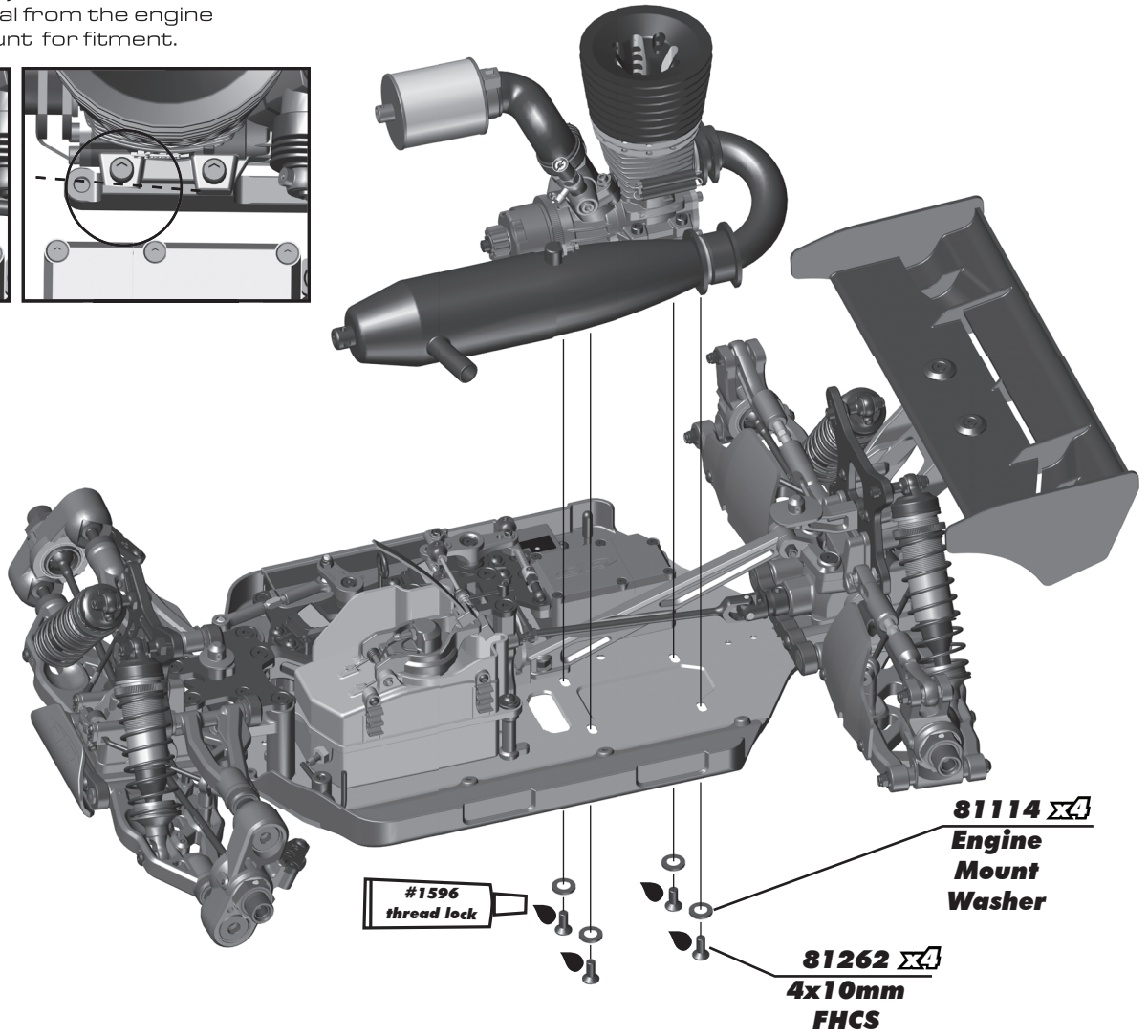
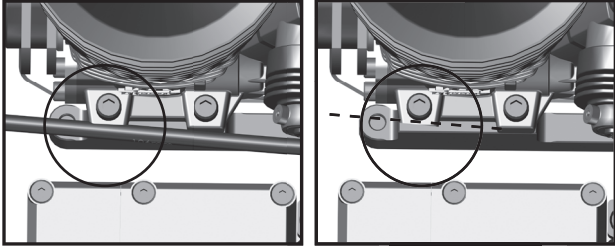
:: Engine / Tank Build - Bag 12.1, 12.2, 12.3 - Step 7



:: Engine / Tank Build - Bag 12.1, 12.2, 12.3 - Step 8

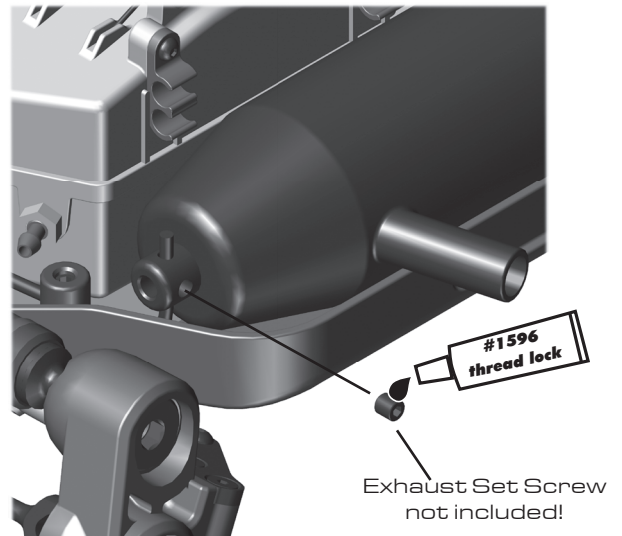
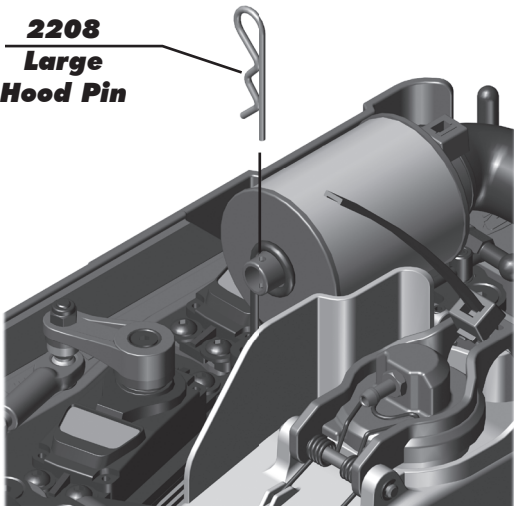


When installing your engine, make sure the rear drive shaft does not interfere with the engine mount. You may need to remove material from the engine mount for fitment.



:: Engine / Tank Build - Bag 12.1, 12.2, 12.3 - Step 9

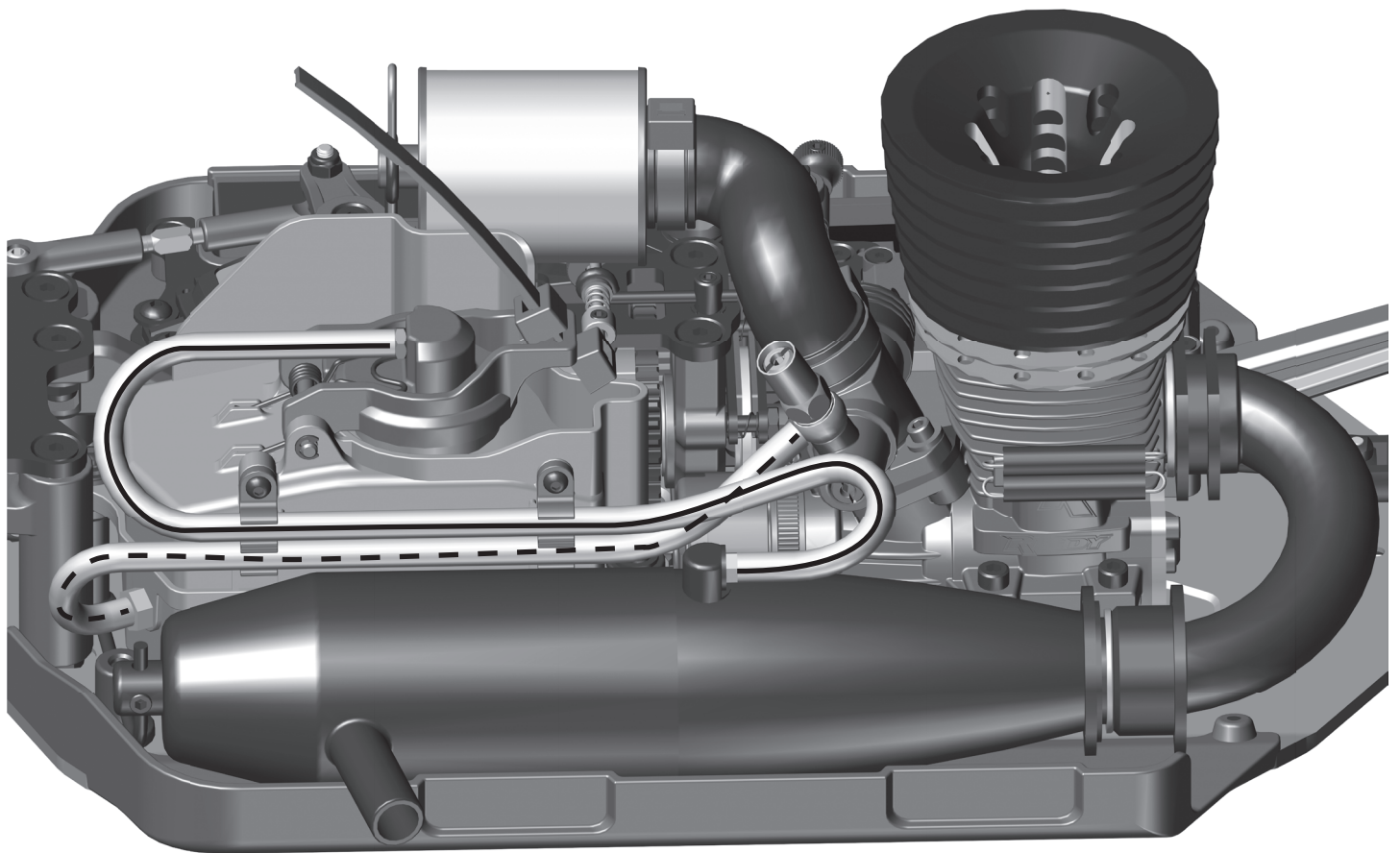
**2208
Large
Hood Pin**



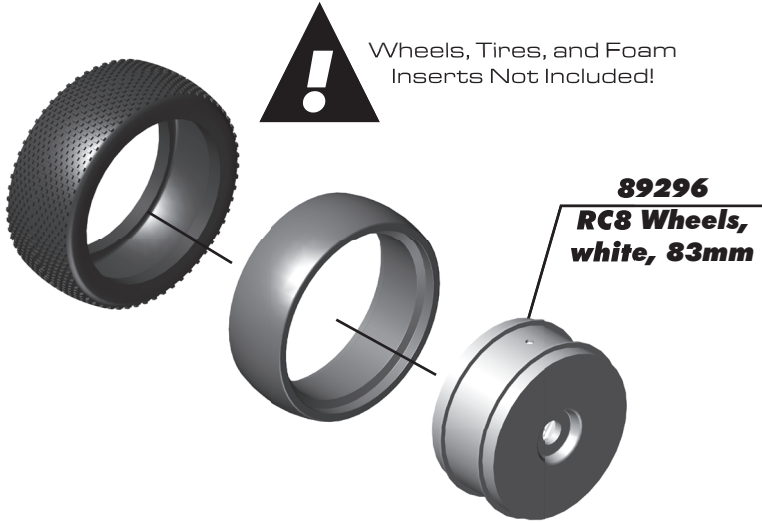
:: Engine / Tank Build - Bag 12.1, 12.2, 12.3 - Step 10

**Pressure line from
fuel tank lid to
exhaust pipe**

**Fuel line from fuel
tank to carburetor**

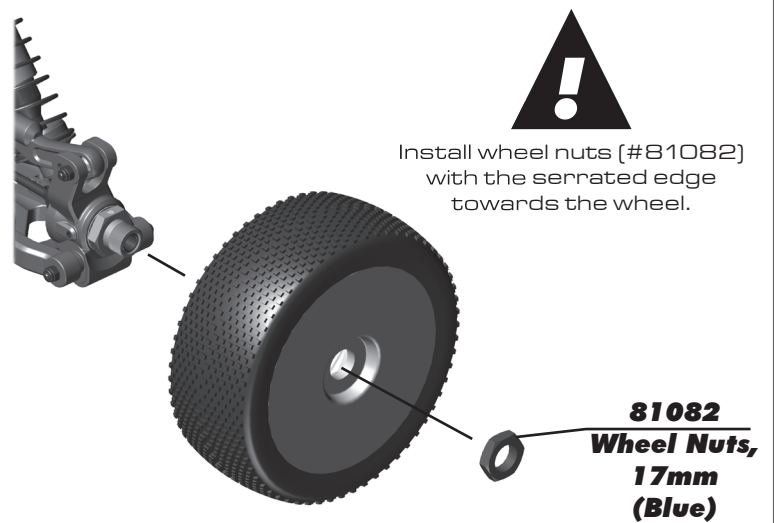
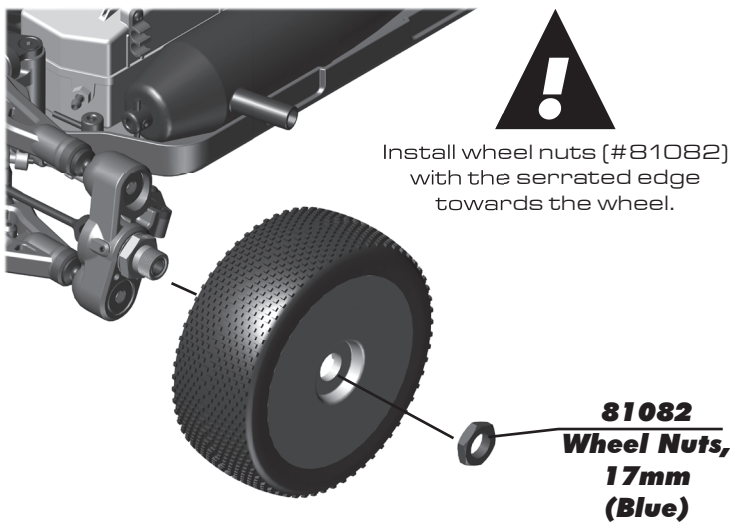


:: Wheels / Tires / Body - Misc. - Step 1

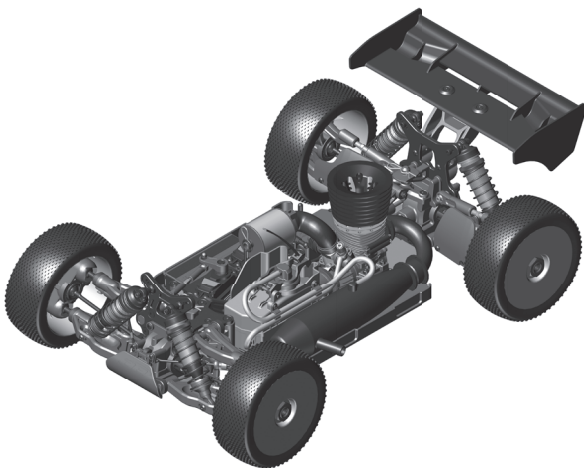


Tires:
When gluing tires to wheels, use a fast-curing tire glue [CA] [AE # 1597]. This is available at your local hobby shop. Make sure to clean the mounting surface of the tire and wheel with alcohol for best adhesion.

:: Wheels / Tires / Body - Misc. - Step 2



:: Wheels / Tires / Body - Misc. - Step 3



Painting Tips:

Your RC8BB3.1 Kit comes with a clear polycarbonate body. You will need to prep the body before you can paint it. Wash the inside thoroughly with warm water and liquid detergent. Dry the body using a clean, soft, lint-free cloth. Install the window masks on the inside of the body. (RC cars get painted from the inside). Using high quality masking tape, apply tape to the inside of the body to create a design. Spray (either rattle can or airbrush R/C specific paint) the paint to the inside of the body (preferably dark colors first, lighter colors last).

NOTE: use ONLY paint that is recommended for use with (polycarbonate) plastics. If you do not, you can destroy the polycarbonate body!!!

After painting, cut the body along the trim lines. Make sure to drill or use a body reamer to make the holes for the body mounts and antenna!

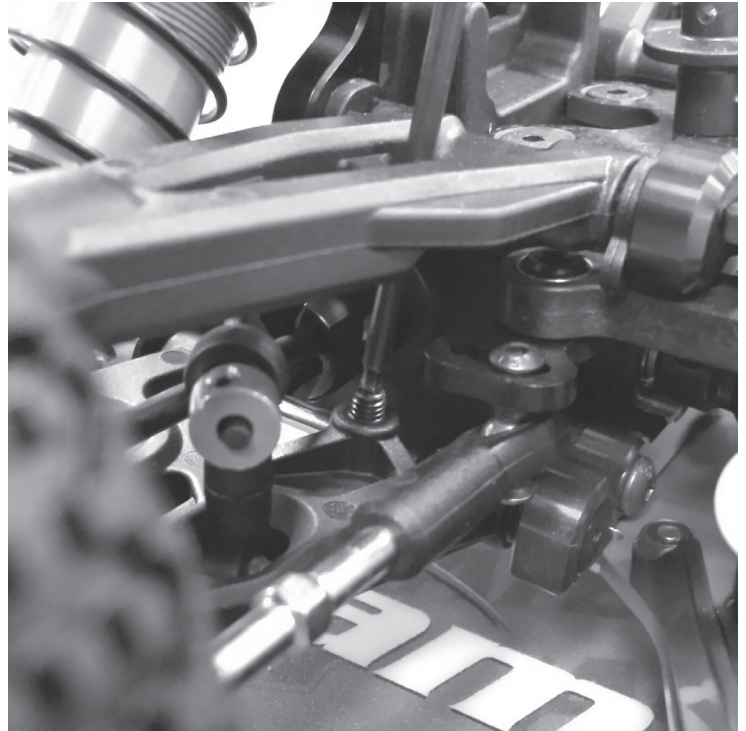
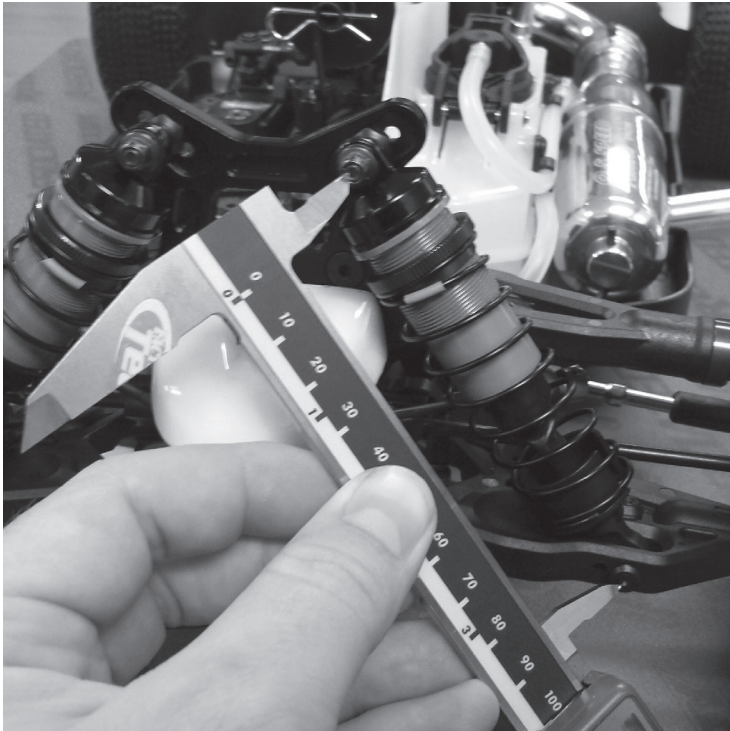
:: Droop Settings

Set droop by measuring overall length of shock [from standoff to shock pin] while the chassis is elevated above your working surface. The shocks should be fully extended.

Kit setup for front droop is 104mm shock length, and 120mm shock length for the rear.

If the shock length is too long, adjust by turning the droop screws clockwise.

If the shock length is too short, adjust by turning the droop screws counter-clockwise.



Front Droop: Increasing front droop [loosen droop screws] will increase off-throttle steering. It also allows the front end to lift more, giving more rear grip and less front grip on-power. Remember to never loosen the screws beyond the FULL DROOP setting. Decreasing front droop [tighten droop screws] yields more on-power steering and quicker response at the expense of some stability in bumpy sections. It will also give less off-throttle steering.

Rear Droop: Increasing rear droop [loosen droop screws] will increase traction in bumpy sections, but will reduce high-speed stability. Remember to never loosen the screws beyond the FULL DROOP setting. Decreasing rear droop [tighten droop screws] will increase stability in high speed sections, but will reduce stability in bumpy sections.

Setup Sheets:

Most often the best way to get your car handling right is to go to our website www.rc10.com and click on the "Setup Sheets" link, then the link to your vehicle, then search for your vehicle. Our team of professional drivers help develop these setups at National events. Also, most drivers have a "base" setup that they use as a starting point for every event. Try running some of our base setups OR look for track conditions and tires that are similar to your local track and mimic that setup. Remember, each adjustment has a purpose, so copy everything from the setup sheet and then make adjustments based on the recommendations in here at <http://www.rc10.com/rc/tuning>.

:: Shocks

| | | |
|-------|--|-------|
| 81156 | RC8B3 Shock Kit (Front) | 1 |
| 81157 | RC8B3 Shock Kit (Rear) | 1 |
| 81160 | RC8B3 Shock Body, 30.5mm | 2 |
| 81161 | RC8B3 Shock Body, 39.5mm | 2 |
| 81170 | RC8B3 Shock Shaft, 30.5mm | 2 |
| 81171 | RC8B3 Shock Shaft, 39.5mm | 2 |
| 81179 | RC8B3 Bleeder Shock Cap | 2 |
| 81181 | RC8B3 Shock Cap Insert | 2 |
| 81182 | RC8B3 Shock Bladder | 2 |
| 81185 | RC8B3 Shock Rebuild Kit | 2 |
| 81186 | RC8B3 Shock O-Ring | 8 |
| 81188 | RC8B3 Shock Body Seal Retainer | 2 |
| 81190 | RC8B3 Shock Boots | 4 |
| 81194 | RC8B3 Shock Rod End & Spring Cup | 4 |
| 81200 | RC8B3 Shock Pistons (6x1.3 - KIT, 6x1.3 T, 8x1.2 T) | 2 ea. |
| 89215 | Shock Piston Locknut | 10 |
| 81221 | Spring Collars, 20mm | 2 |
| 89278 | Washer, 2.5mm | 20 |
| 91492 | 12mm V2 Bleeder Screw / Gasket | 2 |

:: Shock Fluid

| | | |
|------|----------------------------------|------|
| 5420 | 10 Weight Silicone Shock Fluid | 2oz. |
| 5421 | 20 Weight Silicone Shock Fluid | 2oz. |
| 5422 | 30 Weight Silicone Shock Fluid | 2oz. |
| 5423 | 40 Weight Silicone Shock Fluid | 2oz. |
| 5424 | 22.5 Weight Silicone Shock Fluid | 2oz. |
| 5425 | 80 Weight Silicone Shock Fluid | 2oz. |
| 5426 | 27.5 Weight Silicone Shock Fluid | 2oz. |
| 5427 | 15 Weight Silicone Shock Fluid | 2oz. |
| 5428 | 25 Weight Silicone Shock Fluid | 2oz. |
| 5429 | 35 Weight Silicone Shock Fluid | 2oz. |
| 5430 | 45 Weight Silicone Shock Fluid | 2oz. |
| 5431 | 55 Weight Silicone Shock Fluid | 2oz. |
| 5432 | 32.5 Weight Silicone Shock Fluid | 2oz. |
| 5433 | 37.5 Weight Silicone Shock Fluid | 2oz. |
| 5434 | 42.5 Weight Silicone Shock Fluid | 2oz. |
| 5435 | 50 Weight Silicone Shock Fluid | 2oz. |
| 5436 | 60 Weight Silicone Shock Fluid | 2oz. |
| 5437 | 70 Weight Silicone Shock Fluid | 2oz. |
| 5438 | 47.5 Weight Silicone Shock Fluid | 2oz. |



Front:
81170

Rear:
81171



81190



81193



81193



81179

81182



Front:
81160

Rear:
81161



81185



81185



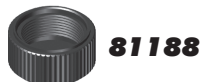
89066



81185



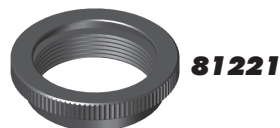
89066



81188



81221



81221



Kit Front:
81225

Kit Rear:
81231



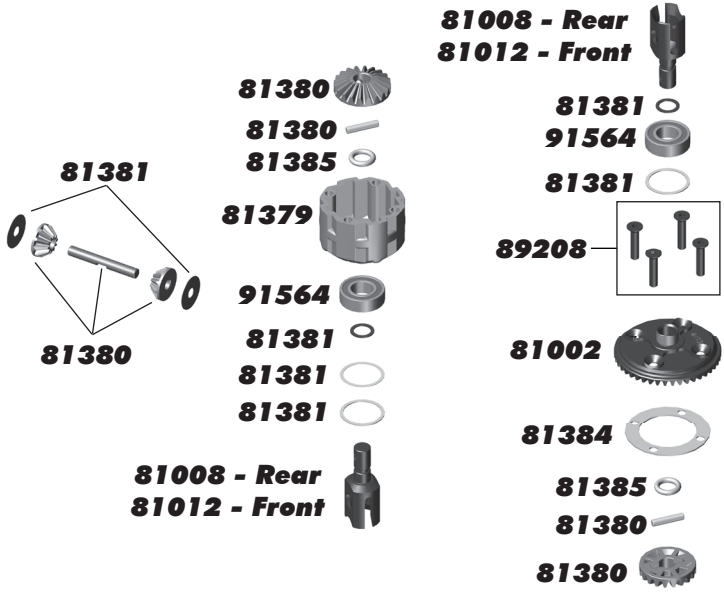
81194

:: Springs

| | | |
|-------|--|-----|
| 81222 | Front Spring, V2, 4.9lb/in, Green | Pr. |
| 81223 | Front Spring, V2, 5.1lb/in, White | Pr. |
| 81224 | Front Spring, V2, 5.3lb/in, Gray | Pr. |
| 81225 | Front Spring, V2, 5.5lb/in, Blue - KIT | Pr. |
| 81226 | Front Spring, V2, 5.7lb/in, Yellow | Pr. |
| 81229 | Rear Spring, V2, 4.1lb/in, White | Pr. |
| 81230 | Rear Spring, V2, 4.2lb/in, Gray | Pr. |
| 81231 | Rear Spring, V2, 4.3lb/in, Blue - KIT | Pr. |
| 81232 | Rear Spring, V2, 4.4lb/in, Yellow | Pr. |

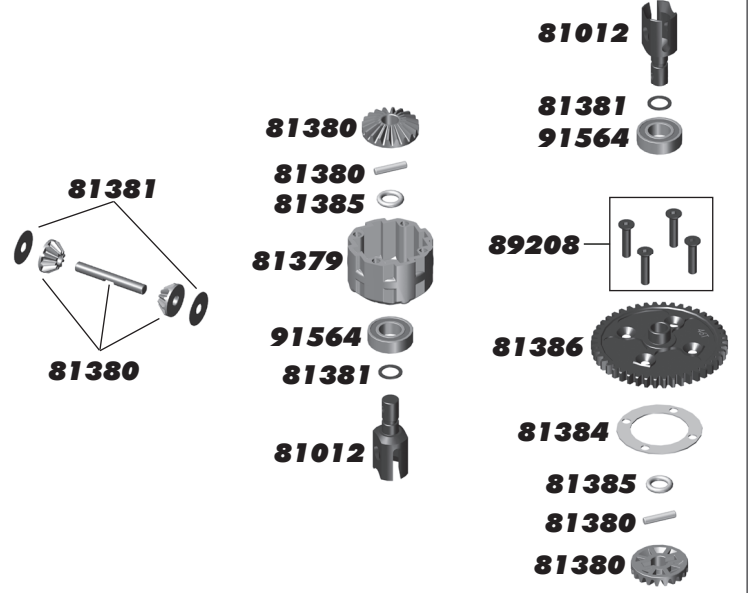
:: Front / Rear Gear Differential

| | | |
|-------|-------------------------------------|----|
| 81002 | RC8B3 Diff Ring Gear, 44T | 1 |
| 81008 | Diff Outdrives, 15mm, Rear Diff | 2 |
| 81012 | Diff Outdrives, 17mm, Front Diff | 2 |
| 81379 | RC8B3.1 Differential Case | 1 |
| 81380 | RC8B3.1 Differential Gear Set | 1 |
| 81381 | RC8B3.1 Differential Shim Set | 1 |
| 81383 | RC8B3.1 Differential Gear Set (LTC) | 1 |
| 81384 | RC8B3.1 Differential Gasket | 3 |
| 81385 | RC8B3.1 Differential O-Ring Set | 1 |
| 89208 | 3 x 14mm FHCS | 10 |
| 91564 | 8 x 16 x 5 Bearings | 2 |



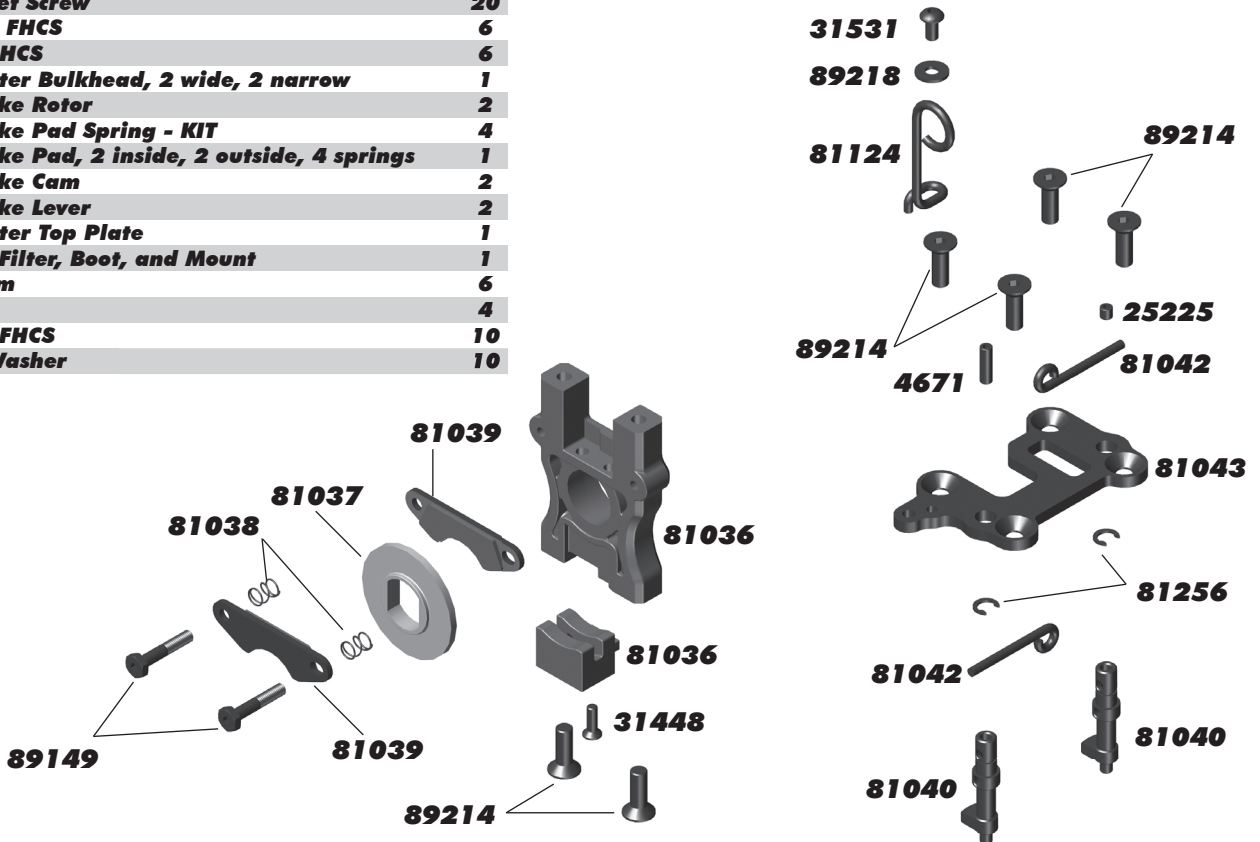
:: Center Gear Differential

| | | |
|-------|-------------------------------------|----|
| 81012 | Diff Outdrives, 17mm, Center Diff | 2 |
| 81379 | RC8B3.1 Differential Case | 1 |
| 81380 | RC8B3.1 Differential Gear Set | 1 |
| 81381 | RC8B3.1 Differential Shim Set | 1 |
| 81383 | RC8B3.1 Differential Gear Set (LTC) | 1 |
| 81384 | RC8B3.1 Differential Gasket | 3 |
| 81385 | RC8B3.1 Differential O-Ring Set | 1 |
| 81386 | RC8B3.1 Spur Gear, 46T - KIT | 1 |
| 81387 | RC8B3.1 Spur Gear, 47T | 1 |
| 81388 | RC8B3.1 Spur Gear, 48T | 1 |
| 89208 | 3 x 14mm FHCS | 10 |
| 91564 | 8 x 16 x 5 Bearings | 2 |



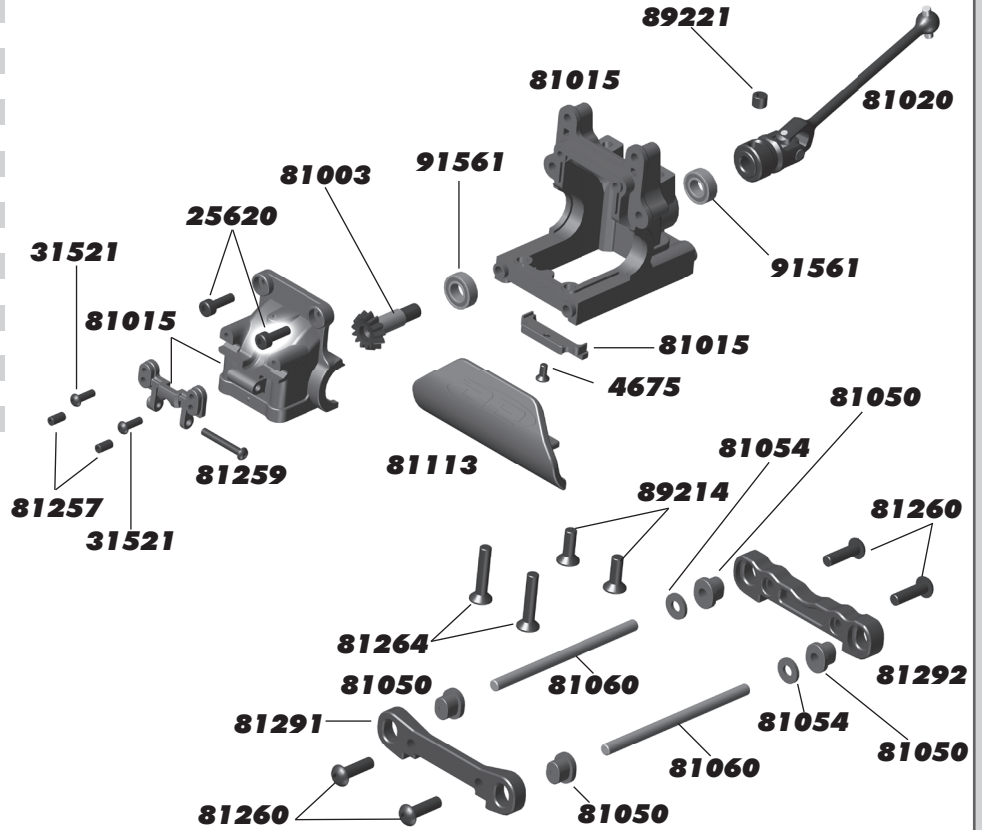
:: Center Bulkhead

| | | |
|-------|---|----|
| 4671 | 3 x 10mm Set Screw | 6 |
| 25225 | 3 x 3mm Set Screw | 20 |
| 31448 | 2.5 x 8mm FHCS | 6 |
| 31531 | 3 x 6mm BHCS | 6 |
| 81036 | RC8B3 Center Bulkhead, 2 wide, 2 narrow | 1 |
| 81037 | RC8B3 Brake Rotor | 2 |
| 81038 | RC8B3 Brake Pad Spring - KIT | 4 |
| 81039 | RC8B3 Brake Pad, 2 inside, 2 outside, 4 springs | 1 |
| 81040 | RC8B3 Brake Cam | 2 |
| 81042 | RC8B3 Brake Lever | 2 |
| 81043 | RC8B3 Center Top Plate | 1 |
| 81124 | RC8B3 Air Filter, Boot, and Mount | 1 |
| 81256 | C-Clip, 5mm | 6 |
| 89149 | Brake Bolt | 4 |
| 89214 | 4 x 12mm FHCS | 10 |
| 89218 | 3 x 8mm Washer | 10 |



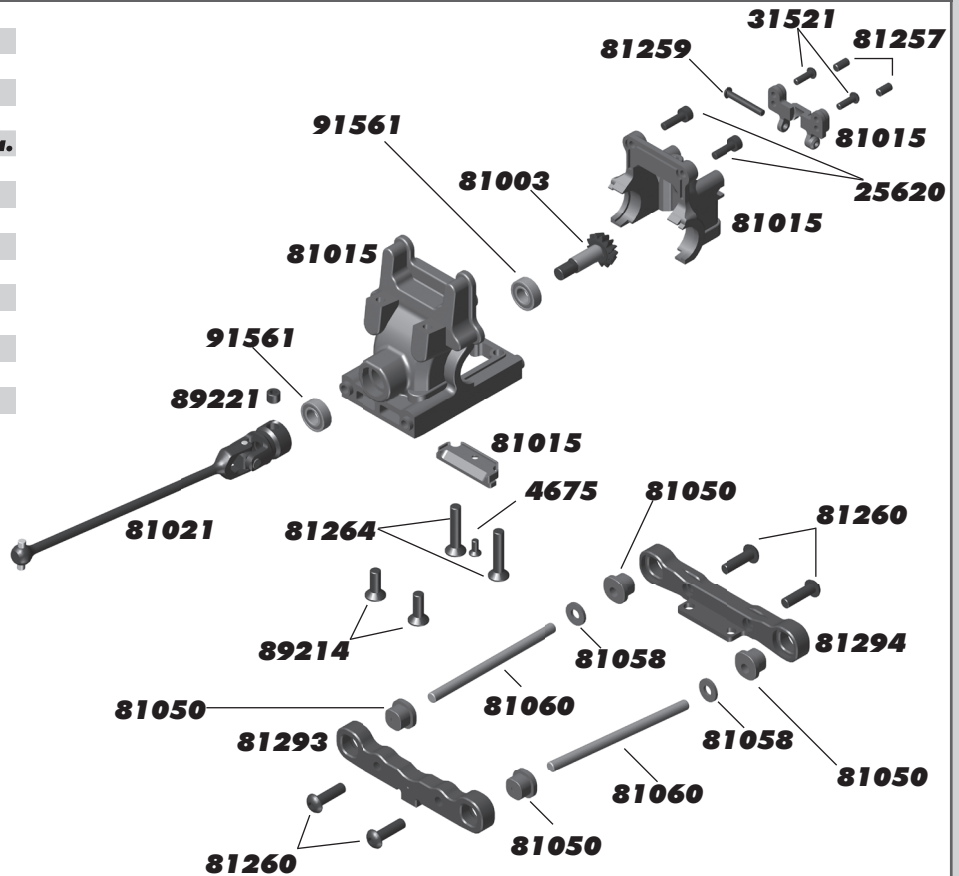
:: Front Gearbox

| | | |
|-------|------------------------------|--------|
| 4675 | 2.5 x 6mm FHCS | 6 |
| 25620 | 3 x 10mm SHCS | 20 |
| 31521 | 2.5 x 8mm BHCS | 6 |
| 81003 | RC8B3 Diff Pinion Gear, 13T | 1 |
| 81015 | RC8B3 Gearbox | 2 |
| 81020 | RC8B3 Center Universal, 76mm | 1 |
| 81050 | RC8B3 Arm Mount Insert | 12 ea. |
| 81054 | RC8B3 Front Arms/Shims | Pr. |
| 81060 | RC8B3 Hinge Pin Set | 1 |
| 81113 | RC8B3 Front Bumper | 1 |
| 81257 | 3 x 6mm Set Screw | 6 |
| 81259 | 2.5 x 18mm BHCS | 6 |
| 81260 | 4 x 14mm BHCS | 6 |
| 81264 | 4 x 20mm FHCS | 6 |
| 81291 | RC8B3.1 Arm Mount, A | 1 |
| 81292 | RC8B3.1 Arm Mount, B | 1 |
| 89214 | 4 x 12mm FHCS | 10 |
| 89221 | 5 x 4mm Set Screw | 10 |
| 91561 | Bearing, 6 x 12 x 4mm | 2 |



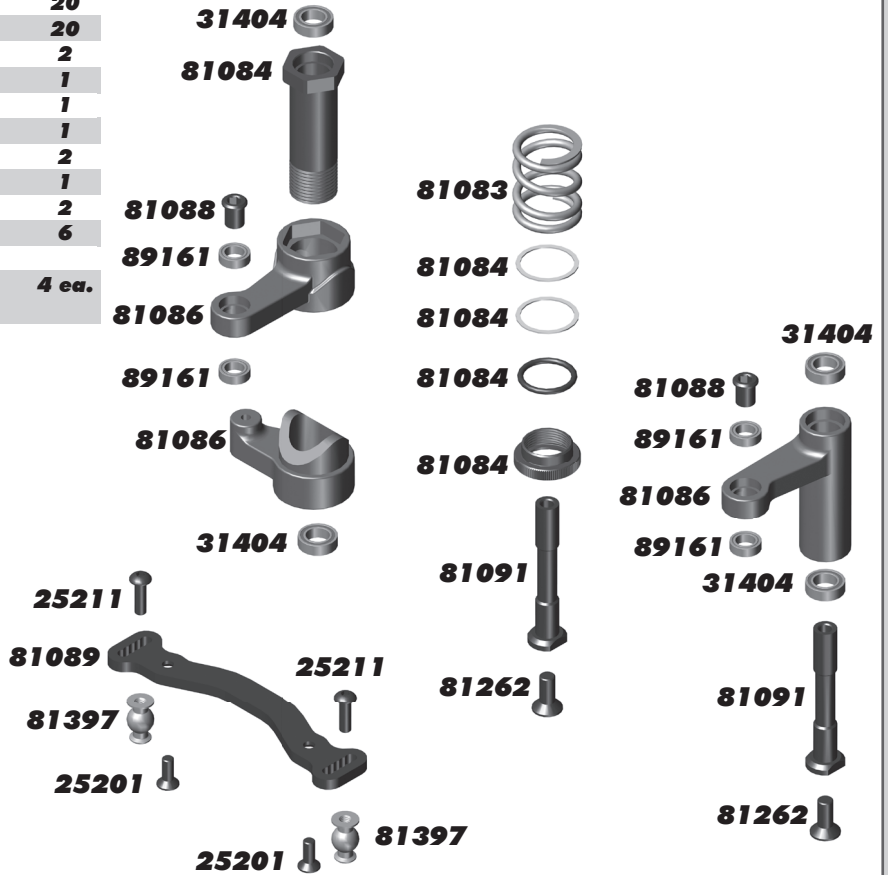
:: Rear Gearbox

| | | |
|-------|-----------------------------|--------|
| 4675 | 2.5 x 6mm FHCS | 6 |
| 25620 | 3 x 10mm SHCS | 20 |
| 81003 | RC8B3 Diff Pinion Gear, 13T | 1 |
| 81015 | RC8B3 Gearbox | 2 |
| 81021 | Center Universal, 106mm | 1 |
| 81050 | RC8B3 Arm Mount Insert | 12 ea. |
| 81058 | RC8B3 Rear Arms/Shims | Pr. |
| 81060 | RC8B3 Hinge Pin Set | 1 |
| 81257 | 3 x 6mm Set Screw | 6 |
| 81259 | 2.5 x 18mm BHCS | 6 |
| 81260 | 4 x 14mm BHCS | 6 |
| 81264 | 4 x 20mm FHCS | 6 |
| 81293 | RC8B3.1 Arm Mount, C | 1 |
| 81294 | RC8B3.1 Arm Mount, D | 1 |
| 89214 | 4 x 12mm FHCS | 10 |
| 89221 | 5 x 4mm Set Screw | 10 |
| 91561 | Bearing, 6 x 12 x 4mm | 2 |



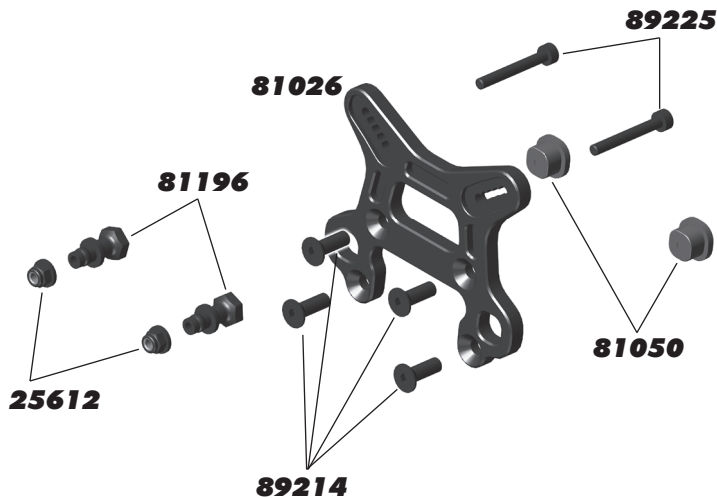
:: Steering

| | | |
|--------------|--|--------------|
| 25201 | 3 x 8mm FHCS | 20 |
| 25211 | 3 x 10mm BHCS | 20 |
| 31404 | Bearing, 6 x 10 x 3mm | 2 |
| 81083 | Servo Saver Spring | 1 |
| 81084 | RC8B3.1 Servo Saver Tube | 1 |
| 81086 | RC8B3 Steering Bellcrank | 1 |
| 81088 | RC8B3 Steering Bellcrank Nut | 2 |
| 81089 | RC8B3 Steering Rack | 1 |
| 81091 | RC8B3 Steering Post | 2 |
| 81262 | 4 x 10mm FHCS | 6 |
| 81397 | Turnbuckle Ball, 4mm | |
| 89161 | FT Steering Bearing Set, 5 x 8 x 2.5mm & 6 x 10 x 3mm | 4 ea. |



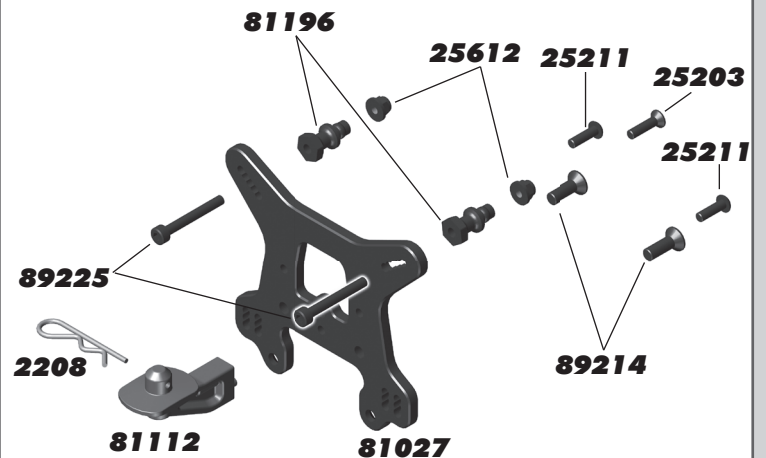
:: Front Shock Tower

| | | |
|--------------|--------------------------------------|---------------|
| 25612 | M3 Locknut with Flange, Black | 20 |
| 81026 | RC8B3 Shock Tower, Front | 1 |
| 81050 | RC8B3 Arm Mount Inserts | 12 ea. |
| 81196 | RC8B3 Shock Bushing | 4 |
| 89214 | 4 x 12mm FHCS | 10 |
| 89225 | 3 x 24mm SHCS | 10 |



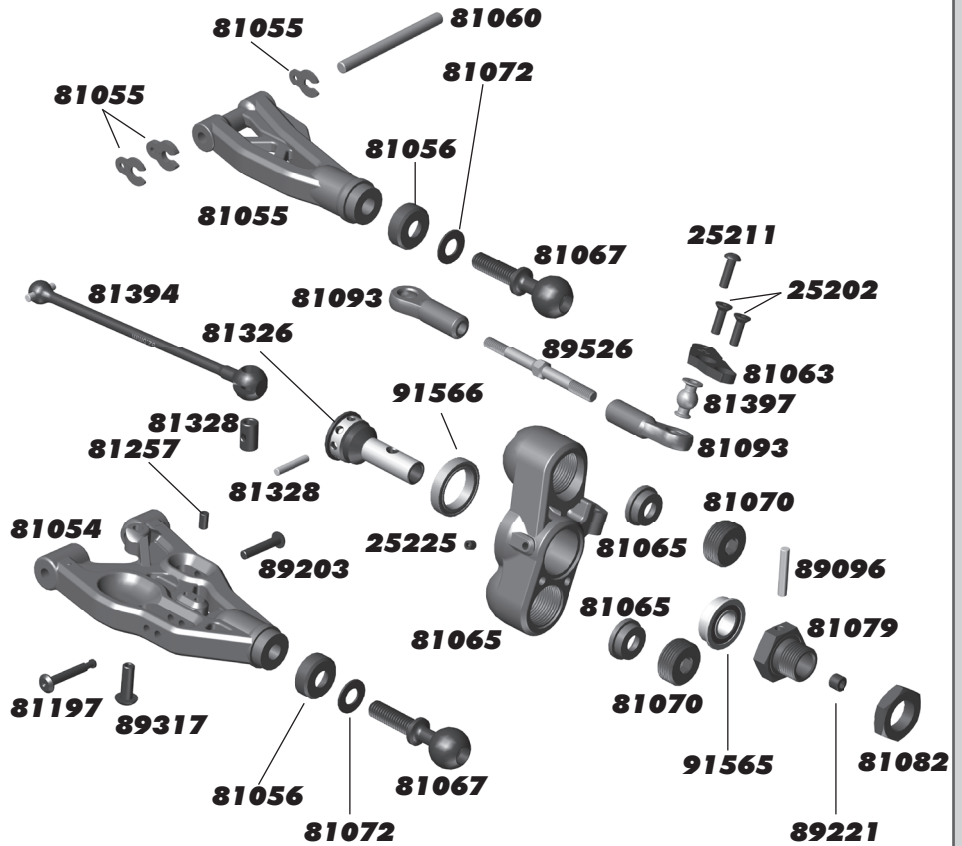
:: Rear Shock Tower

| | | |
|--------------|--------------------------------------|------------|
| 2208 | Large Hood Pins | 6 |
| 25203 | 3 x 12mm FHCS | 20 |
| 25211 | 3 x 10mm BHCS | 20 |
| 25612 | M3 Locknut with Flange, Black | 20 |
| 81027 | RC8B3 Shock Tower, Rear | 1 |
| 81112 | RC8B3 Body Post | Pr. |
| 81196 | RC8B3 Shock Bushing | 4 |
| 89214 | 4 x 12mm FHCS | 10 |
| 89225 | 3 x 24mm SHCS | 10 |



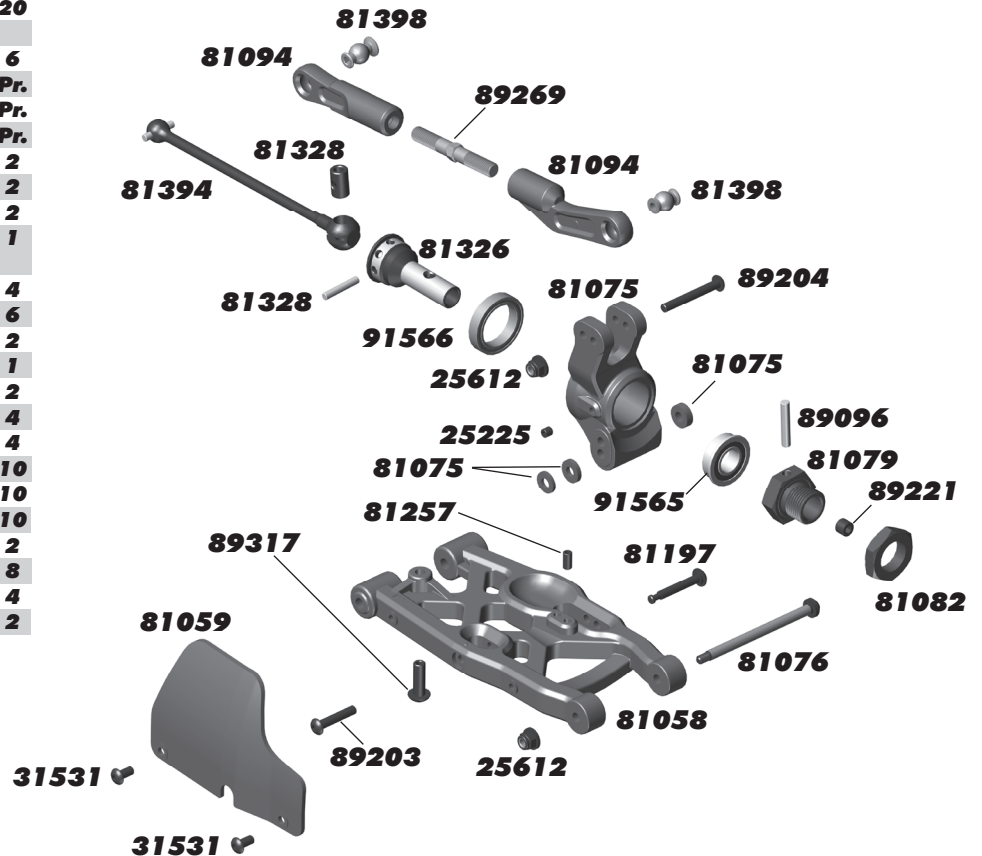
:: Front Suspension

| | | |
|-------|---|-----|
| 25202 | 3 x 10mm FHCS | 20 |
| 25211 | 3 x 10mm BHCS | 20 |
| 25225 | 3 x 3mm Set Screw | 20 |
| 81054 | RC8B3 Front Arms | Pr. |
| 81055 | RC8B3 Front Upper Arms | Pr. |
| 81056 | RC8B3 Suspension Arm Endcap | 4 |
| 81060 | RC8B3 Hinge Pin Set | 1 |
| 81063 | RC8B3 Steering Block Arm +2 deg | Pr. |
| 81065 | RC8B3 Steering Block | Pr. |
| 81067 | RC8B3 Pillow Ball | 2 |
| 81070 | RC8B3 Pillow Ball Nut | 4 |
| 81072 | RC8B3 Pillow Ball Shim | 6 |
| 81079 | RC8B3 Wheel Hexes, +1mm wide | 2 |
| 81082 | RC8B3 Wheel Nuts, 17mm Blue | 2 |
| 81093 | RC8B3 Rod End, 4mm (4 ball joints, 1 2 rod ends, 2 offset rod ends) | 1 |
| 81197 | RC8B3 Shock Pin | 4 |
| 81257 | 3 x 6mm Set Screw | 6 |
| 81326 | RC8B3 CVA Axle, steel | 2 |
| 81328 | FT RC8B3 CVA Rebuild Kit | 1 |
| 81394 | RC8B3.1 CVA Driveshaft (94mm) | 2 |
| 81397 | RC8B3.1 TB Ball | 4 |
| 89096 | Wheel Hex Pin | 4 |
| 89203 | 3 x 16mm BHCS | 10 |
| 89221 | 5 x 4mm Set Screw | 10 |
| 89317 | Droop Screw | 8 |
| 89526 | 4 x 50mm Turnbuckle | 2 |
| 91565 | 8 x 16 x 5 Flanged Bearing | 4 |
| 91566 | 15 x 21 x4mm Bearing | 2 |



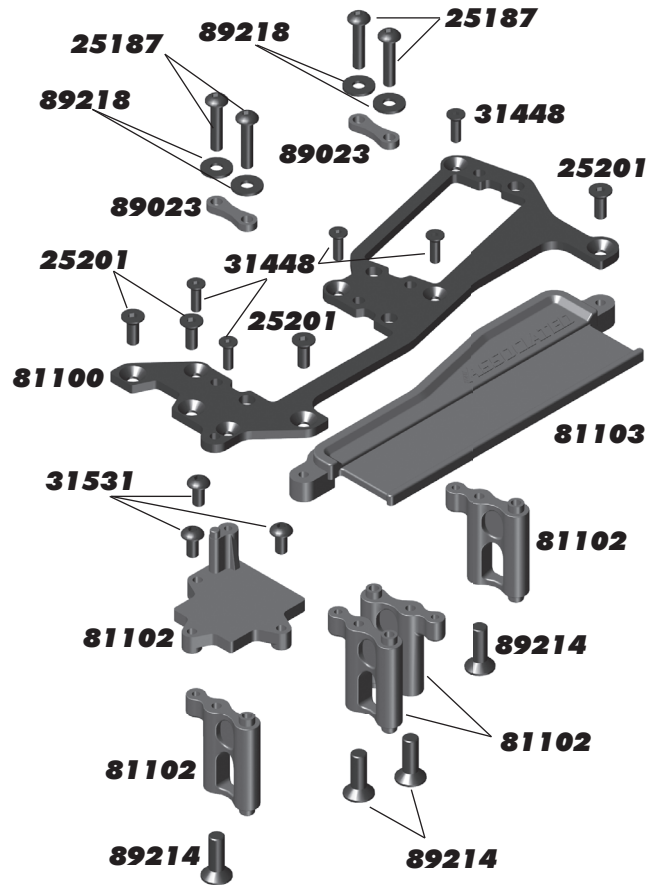
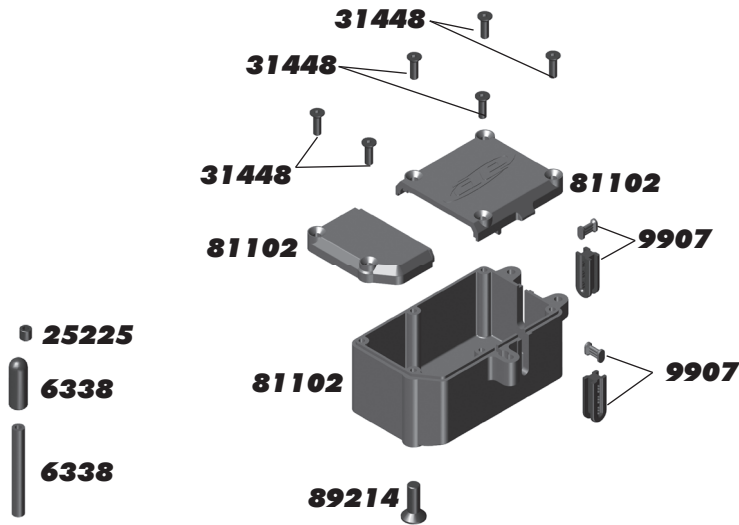
:: Rear Suspension

| | | |
|-------|---|-----|
| 25225 | 3 x 3mm Set Screw | 20 |
| 25612 | M3 Flanged Locknut | |
| 31531 | 3 x 6mm BHCS | 6 |
| 81058 | RC8B3 Rear Arm | Pr. |
| 81059 | RC8B3 Rear Arm Mud Guard | Pr. |
| 81075 | RC8B3 Rear Hub | Pr. |
| 81076 | RC8B3 Hub Hinge Pin | 2 |
| 81079 | RC8B3 Wheel Hexes, +1mm wide | 2 |
| 81082 | RC8B3 Wheel Nuts, 17mm Blue | 2 |
| 81094 | RC8B3 Rod End, 5mm (4 ball joints, 1 2 rod ends, 2 offset rod ends) | 1 |
| 81197 | RC8B3 Shock Pin | 4 |
| 81257 | 3 x 6mm Set Screw | 6 |
| 81326 | RC8B3 CVA Axle, steel | 2 |
| 81328 | FT RC8B3 CVA Rebuild Kit | 1 |
| 81394 | RC8B3.1 CVA Driveshaft (94mm) | 2 |
| 81398 | RC8B3.1 TB Ball (Shouldered) | 4 |
| 89096 | Wheel Hex Pin | 4 |
| 89203 | 3 x 16mm BHCS | 10 |
| 89204 | 3 x 24mm BHCS | 10 |
| 89221 | 5 x 4mm Set Screw | 10 |
| 89269 | Steel Turnbuckle, 38mm | 2 |
| 89317 | Droop Screw | 8 |
| 91565 | 8 x 16 x 5mm Flanged Bearing | 4 |
| 91566 | 15 x 21 x4mm Bearing | 2 |



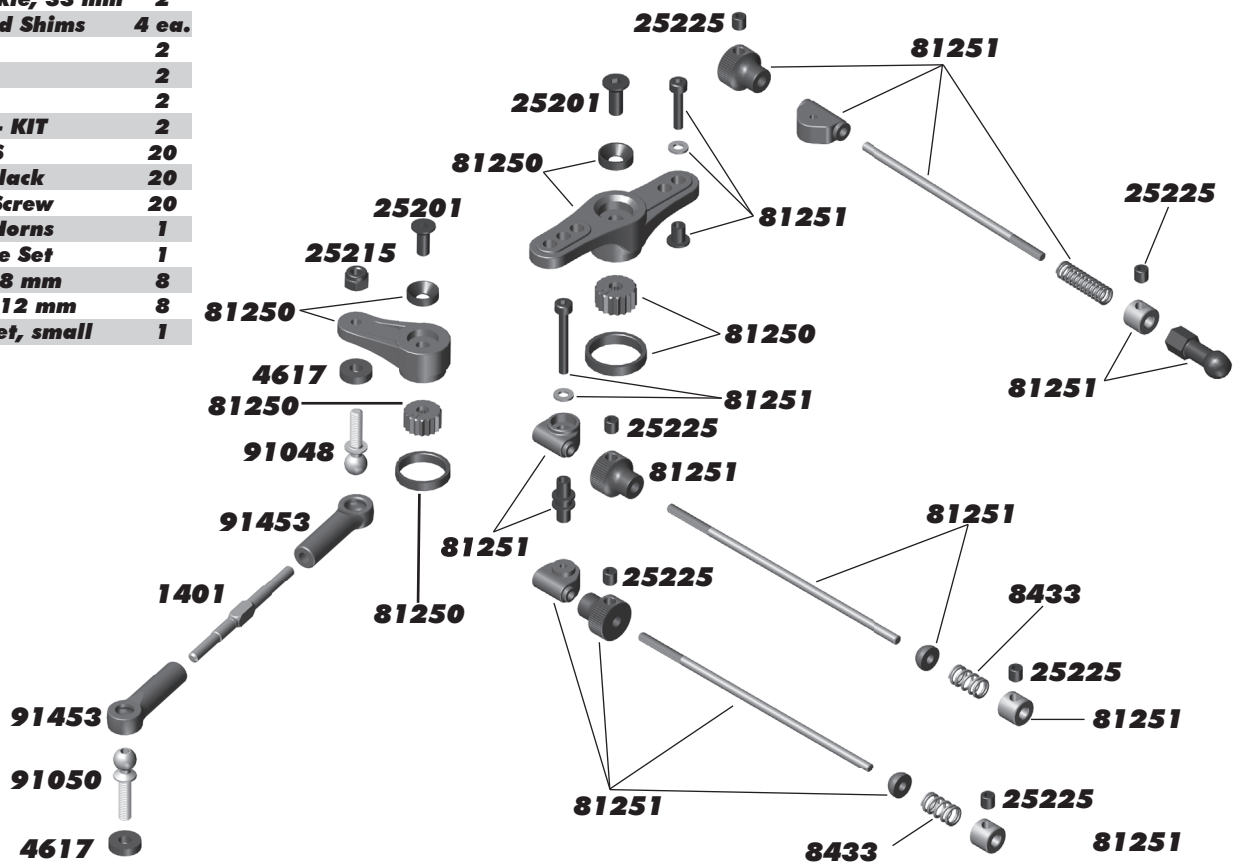
:: Radio Tray

| | | |
|--------------|-------------------------------------|--------------|
| 6338 | Antenna Tube with Cap, Black | 1 |
| 9907 | Receiver Box Grommets | 2 ea. |
| 25187 | 3 x 14mm BHCS | 20 |
| 25201 | 3 x 8mm FHCS | 20 |
| 25225 | 3 x 3mm Set Screw | 20 |
| 31448 | 2.5 x 8mm FHCS | 6 |
| 31531 | 3 x 6mm BHCS | 6 |
| 81100 | RC8B3 Radio Tray | 1 |
| 81102 | RC8B3 Receiver Box | 1 |
| 81103 | RC8B3 Receiver Battery Tray | 1 |
| 89023 | Servo Mount Spacers | 1 |
| 89214 | 4 x 12mm FHCS | 10 |
| 89218 | 3 x 8mm Washer | 10 |



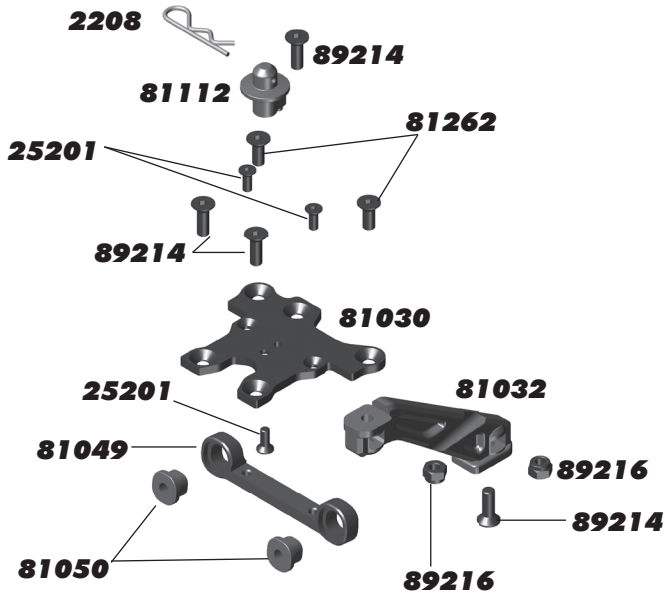
:: Linkage

| | | |
|--------------|---------------------------------|--------------|
| 1401 | FT Ti. Turnbuckle, 33 mm | 2 |
| 4617 | Front Bulkhead Shims | 4 ea. |
| 8427 | .018" Spring | 2 |
| 8429 | .020" Spring | 2 |
| 8431 | .022" Spring | 2 |
| 8433 | .024" Spring - KIT | 2 |
| 25201 | 3 x 8mm FHCS | 20 |
| 25215 | M3 Locknut, Black | 20 |
| 25225 | 3 x 3mm Set Screw | 20 |
| 81250 | RC8B3 Servo Horns | 1 |
| 81251 | RC8B3 Linkage Set | 1 |
| 91048 | HD Ballstuds, 8 mm | 8 |
| 91050 | HD Ballstuds, 12 mm | 8 |
| 91453 | HD Ball Cup Set, small | 1 |



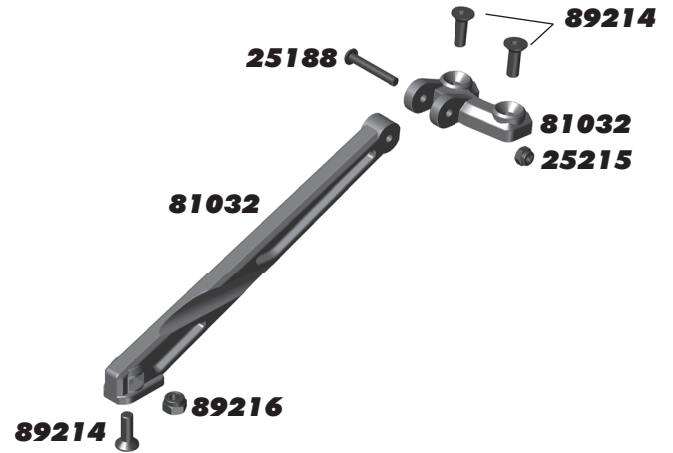
:: Front Chassis Brace

| | | |
|-------|------------------------|--------|
| 2208 | Large Hood Pins | 6 |
| 25201 | 3 x 8mm FHCS | 20 |
| 81030 | RC8B3 Top Plate | 1 |
| 81032 | RC8B3 Chassis Brace | Pr. |
| 81049 | RC8B3 Upper Link Mount | 1 |
| 81050 | RC8B3 Arm Mount Insert | 12 ea. |
| 81112 | RC8B3 Body Post | Pr. |
| 81262 | 4 x 10mm FHCS | 6 |
| 89214 | 4 x 12mm FHCS | 10 |
| 89216 | M4 Locknut | 10 |



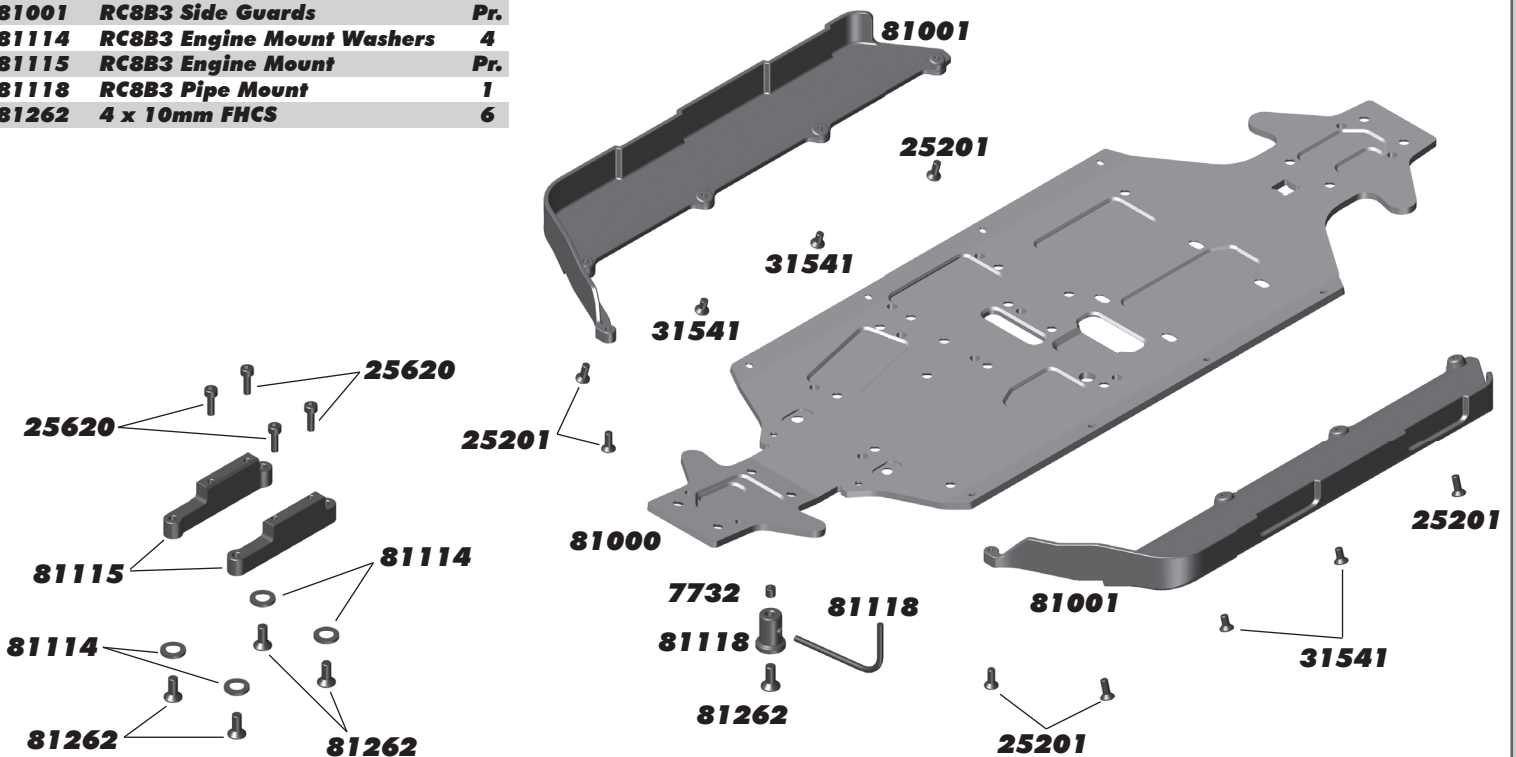
:: Rear Chassis Brace

| | | |
|-------|---------------------|-----|
| 25188 | 3 x 20mm BHCS | 20 |
| 25215 | M3 Locknut, Black | 20 |
| 81032 | RC8B3 Chassis Brace | Pr. |
| 89214 | 4 x 12mm FHCS | 10 |
| 89216 | M4 Locknut | 10 |



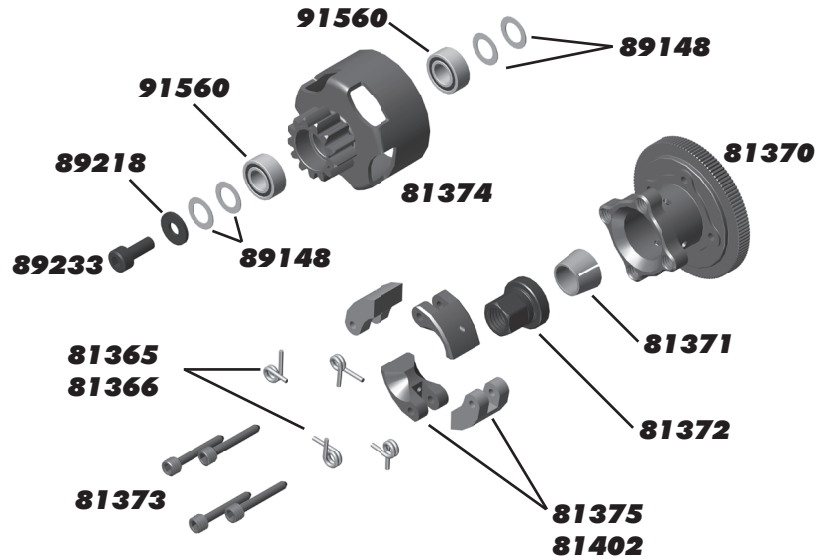
:: Chassis

| | | |
|-------|----------------------------|-----|
| 7732 | 4 x 4mm Set Screw | 6 |
| 25201 | 3 x 8mm FHCS | 20 |
| 25620 | 3 x 10mm SHCS | 20 |
| 31541 | 3 x 6mm FHCS | 6 |
| 81000 | RC8B3 Chassis | 1 |
| 81001 | RC8B3 Side Guards | Pr. |
| 81114 | RC8B3 Engine Mount Washers | 4 |
| 81115 | RC8B3 Engine Mount | Pr. |
| 81118 | RC8B3 Pipe Mount | 1 |
| 81262 | 4 x 10mm FHCS | 6 |



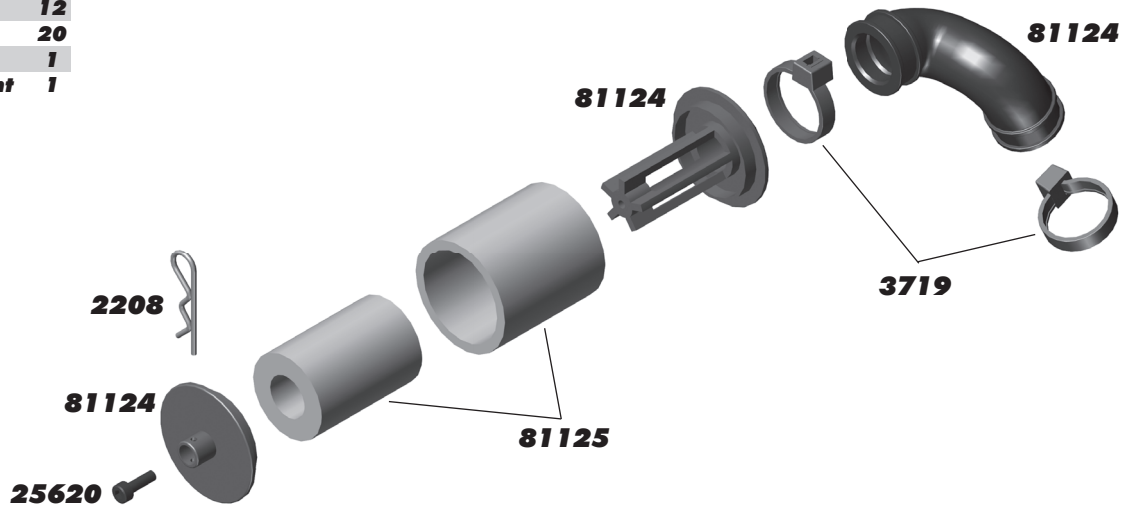
:: Clutch

| | | |
|-------|---------------------------------------|----|
| 81365 | Clutch Springs (0.90, 4 Shoe) - KIT | 4 |
| 81366 | Clutch Springs (0.95, 4 Shoe) - KIT | 4 |
| 81367 | Clutch Springs (1.00, 4 Shoe) | 4 |
| 81368 | Clutch Springs (1.05, 4 Shoe) | 4 |
| 81369 | Clutch Springs (1.10, 4 Shoe) | 4 |
| 81370 | RC8B3.1 Flywheel (4 Shoe) | 1 |
| 81371 | RC8B3.1 Flywheel Collet (4 Shoe) | 2 |
| 81372 | RC8B3.1 Flywheel Nut (4 Shoe) | 1 |
| 81373 | Clutch Shoe Pins (4 Shoe) | 4 |
| 81374 | Clutch Bell (13T, Vented, 4 Shoe) | 1 |
| 81375 | Clutch Shoe, Hard (4 Shoe) - KIT | 2 |
| 81377 | Clutch Shoe, Composite Hard (4 Shoe) | 2 |
| 81402 | Clutch Shoe, Composite (4 Shoe) - KIT | 2 |
| 89148 | Clutch Bell Shim Set | 1 |
| 89218 | 3 x 8mm Washer | 10 |
| 89223 | 3 x 8mm SHCS | 10 |
| 91560 | 5 x 10 x 4mm Bearing | 2 |



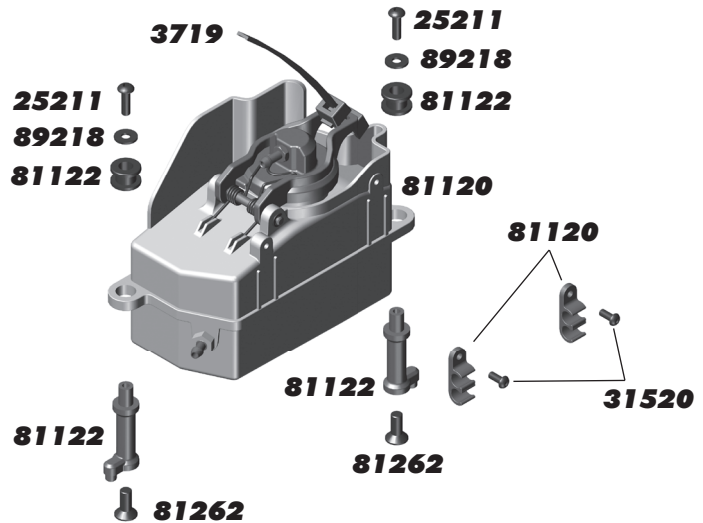
:: Air Filter

| | | |
|-------|--------------------------|----|
| 2208 | Large Hood Pins | 6 |
| 3719 | Nylon Wire Tie, 6" | 12 |
| 25620 | 3 x 10mm SHCS | 20 |
| 81124 | RC8B3 Air Filter & Boot | 1 |
| 81125 | RC8B3 Air Filter Element | 1 |



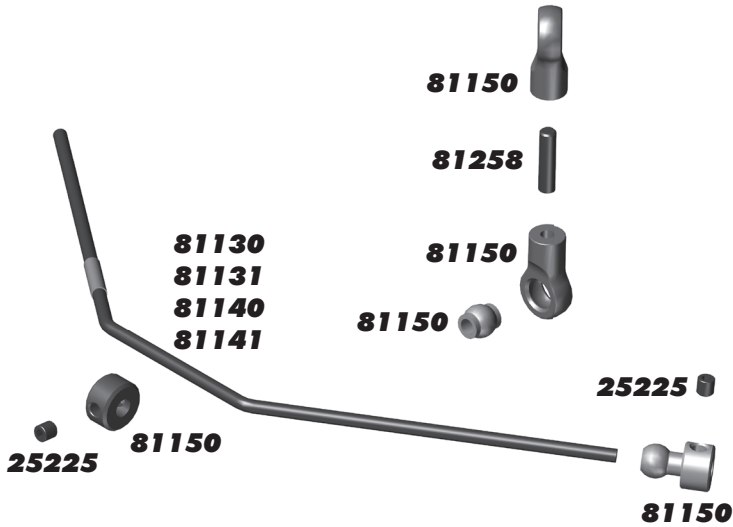
:: Fuel Tank

| | | |
|-------|---------------------------|-------|
| 3719 | Nylon Wire Tie, 6" | 1 |
| 25211 | 3 x 10mm BHCS | 20 |
| 31520 | 2.5 x 6mm BHCS | 6 |
| 81120 | RC8B3 Fuel Tank | 1 |
| 81122 | RC8B3 Tank Post / Grommet | 2 ea. |
| 81262 | 4 x 10mm FHCS | 6 |
| 89218 | 3 x 8mm Washer | 10 |



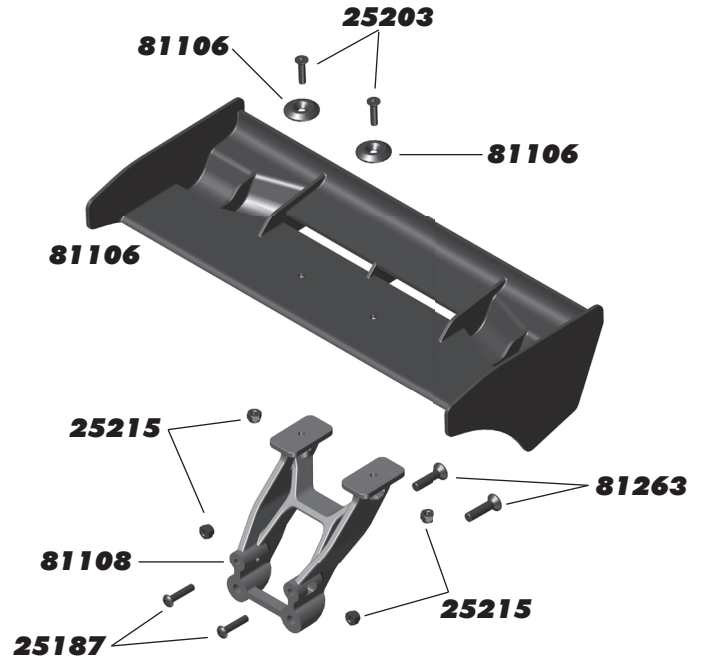
:: Anti-Roll Bars

| | | |
|-------|---|-------|
| 25225 | 3 x 3mm Set Screw | 20 |
| 81130 | RC8B3 Front Anti-Roll Bars, (2.3 - Black, 2.4 - Green, 2.5 - White) | 1 ea. |
| 81131 | RC8B3 Front Anti-Roll Bars, (2.6 - Gray, 2.7 - Blue, 2.8 - Yellow) | 1 ea. |
| 81140 | RC8B3 Rear Anti-Roll Bars, (2.5 - White, 2.6 - Gray, 2.7 - Blue) | 1 ea. |
| 81141 | RC8B3 Rear Anti-Roll Bars, (2.8 - Yellow, 2.9 - Red, 3.0 - Orange) | 1 ea. |
| 81150 | RC8B3 Anti-Roll Bar Drop Link / Collet | 1 |
| 81258 | 3 x 12mm Set Screw | 6 |



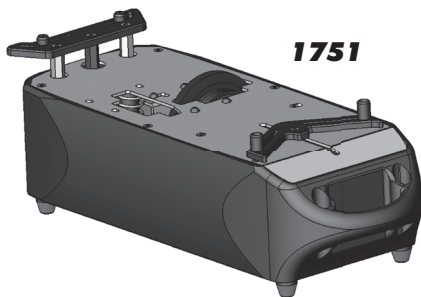
:: Wing

| | | |
|-------|--|-------|
| 25187 | 3 x 14mm BHCS | 20 |
| 25203 | 3 x 12mm FHCS | 20 |
| 25215 | M3 Locknut, Black | 20 |
| 81106 | RC8B3 Wing, Black (1 wing, 2 wing buttons) | 1 |
| 81108 | RC8B3 Wing Mount, 1 high, 1 low | 1 ea. |
| 81263 | 4 x 16mm FHCS | 6 |



:: Fueling Supplies

| | | |
|------|-------------------------|---|
| 1738 | FT Glow Starter | 2 |
| 1747 | Nitro Fuel Bottle 500cc | 1 |
| 1751 | FT Compact Starter Box | 1 |
| 7724 | Fuel Line 15" | 1 |
| 7725 | Fuel Line 3' | 1 |
| 7994 | D-Size Glow Ignitor | 1 |



:: Wheels / Tires / Bodies / Decals

| | | |
|-------|----------------------------------|-----|
| 726 | Reedy 2016 Sticker Set | 1 |
| 3840 | AE 2016 Logo Decal Sheet | 1 |
| 3834 | AE Blue Embossed Logo Sticker | 2 |
| 9787 | FT Chassis Protective Sheet | 1 |
| 81110 | RC8B3 Pro Line Body | 1 |
| 81270 | RC8B3 Decal Sheet | 1 |
| 89152 | RC8 Wheels (White) | 4 |
| 89153 | RC8 Wheels (Yellow) | 4 |
| 89255 | RTR Pre-Glued Wheel/Tire (White) | Pr. |
| 89296 | RC8 83mm Wheels (White) | 4 |
| 89297 | RC8 83mm Wheels (Yellow) | 4 |



:: Factory Team and Option Parts

| | | |
|-------|------------------------------------|----|
| 2357 | Rear Exhaust Manifold Springs | 2 |
| 7733 | Exhaust Tubing Coupler | 1 |
| 25094 | Exhaust Manifold Springs | 2 |
| 25392 | 3mm Blue Locknut, Flanged | 10 |
| 29213 | Servo Wire Extension | 1 |
| 31550 | M3 Aluminum Lock Nut | 6 |
| 89094 | Nyloc Wheel Hex Nuts, Blue | 2 |
| 89095 | Wheel Hex, Aluminum | 2 |
| 89123 | RC8 Heatsink Brake Disc | 2 |
| 89127 | Clutch Bell, 17T, (3 Shoe) | 1 |
| 89133 | 1.0mm Clutch Spring, (3 Shoe) | 3 |
| 89136 | RC8 Flywheel, Hard | 1 |
| 89146 | RC8/T Clutch Shoes, Hard, (3 Shoe) | 3 |
| 89147 | Header Gasket | 4 |
| 89157 | 0.9mm Clutch Spring, (3 Shoe) | 3 |
| 89158 | 1.1mm Clutch Spring, (3 Shoe) | 3 |
| 89159 | Short Clutch Nut | 1 |
| 89161 | Steering Bearing Set | 1 |
| 89181 | Muffler to Header Spring | 3 |
| 89229 | Blue Countersunk Washer | 10 |
| 89265 | Fiber Clutch Shoe, (3 Shoe) | 3 |
| 89273 | RTR Tuned Pipe | 1 |
| 89274 | RTR Header | 1 |
| 89405 | Nyloc Wheel Nuts (Silver) | 4 |
| 89406 | Nyloc Wheel Nuts (Black) | 4 |
| 89473 | Steel Shock Standoff | 2 |
| 89495 | RC8 FT Light Spur Gear, 44T | 1 |

:: Lubes & Adhesives / Misc.

| | | |
|------|------------------------------------|---|
| 1105 | FT Green Slime Shock Lube | 1 |
| 1596 | FT Locking Adhesive | 1 |
| 1597 | FT Tire Adhesive | 1 |
| 5450 | Silicone Diff Fluid 1,000CST | 1 |
| 5451 | Silicone Diff Fluid 2,000CST | 1 |
| 5452 | Silicone Diff Fluid 3,000CST | 1 |
| 5444 | Silicone Diff Fluid 4,000CST | 1 |
| 5453 | Silicone Diff Fluid 5,000CST | 1 |
| 5446 | Silicone Diff Fluid 6,000CST | 1 |
| 5447 | Silicone Diff Fluid 15,000CST | 1 |
| 5454 | Silicone Diff Fluid 7,000CST | 1 |
| 5455 | Silicone Diff Fluid 10,000CST | 1 |
| 5456 | Silicone Diff Fluid 20,000CST | 1 |
| 5457 | Silicone Diff Fluid 30,000CST | 1 |
| 5458 | Silicone Diff Fluid 60,000CST | 1 |
| 5448 | Silicone Diff Fluid 80,000CST | 1 |
| 5459 | Silicone Diff Fluid 100,000CST | 1 |
| 5461 | Silicone Diff Fluid 200,000CST | 1 |
| 5463 | Silicone Diff Fluid 500,000CST | 1 |
| 5465 | Silicone Diff Fluid 1,000,000CST | 1 |
| 6588 | Black Grease - 4cc | 1 |
| 6591 | S.Diff Lube - 4cc | 1 |
| 6636 | Silicone Grease - 4cc | 1 |
| 6727 | Servo Tape | 2 |
| 7710 | FT Foam Prefilter Treatment, 1 oz. | 1 |



1596

:: Reedy Batteries

| | | |
|-----|--|---|
| 302 | AA Alkaline 1.5V (4) | 1 |
| 304 | LiPo Pro TX/RX Battery 1600mAh 7.4V Flat | 1 |
| 305 | LiFe Pro TX/RX Battery 1300mAh 6.6V Flat | 1 |
| 315 | LiPo Pro TX/RX Battery 2100mAh 7.4V Flat | 1 |
| 324 | LiPo 20C 2100mAh 14.8V Starter Box | 1 |
| 612 | NiMH RX Battery 1600mAh 6.0V Hump | 1 |
| 613 | NiMH RX Battery 1600mAh 6.0V Flat | 1 |
| 631 | LiPo RX Battery 2100mAh 7.4V | 1 |
| 636 | 6.0V 5A Voltage Regulator | 1 |
| 637 | LiPo TX Battery - M11X 2500mAh 7.4V | 1 |

:: Reedy Chargers and Accessories

| | | |
|---------|--|---|
| 616 | 423-S AC 35W Compact Balance Charger | 1 |
| 616CN | 423-S Charger/ 3000mAh NiMH Battery | 1 |
| 616CL | 423-S Charger/ 3300mAh LiPo Battery | 1 |
| 27200 | 1216-C2 Dual AC/DC Comp. Battery Charger | 1 |
| 27200CN | 1216-C2 Dual AC/DC Comp. Battery Charger - CHN Plug | 1 |
| 27200EU | 1216-C2 Dual AC/DC Comp. Battery Charger - EURO Plug | 1 |
| 27200UK | 1216-C2 Dual AC/DC Comp. Battery Charger - UK Plug | 1 |
| 27201 | 324-S AC LiPo/LiFe Compact Balance Charger | 1 |
| 27220 | 7-in-1 Universal Charge Lead (4mm) | 1 |
| 27221 | T-plug Charge Lead (4mm) | 1 |
| 27222 | XH 2-6S Balance Board (4mm) | 1 |
| 27223 | RX Charger Lead FUT (4mm) | 1 |
| 27224 | US to IEC 320 C5 angle 1M AC Power Cord | 1 |
| 27225 | US to IEC 320 C5 angle .5M AC Power Cord | 1 |
| 27226 | EU to IEC 320 C5 angle 1M AC Power Cord | 1 |
| 27227 | UK to IEC 320 C5 angle 1M AC Power Cord | 1 |
| 27228 | AU to IEC 320 C5 angle 1M AC Power Cord | 1 |
| 27229 | CN to IEC 320 C5 angle 1M AC Power Cord | 1 |

:: Reedy Nitro Engine Accessories

| | | |
|-------|---|---|
| 27100 | RS1206 Digital HV Hi-Speed Competition Servo | 1 |
| 27101 | RT1508 Digital HV Hi-Torque Competition Servo | 1 |
| 27102 | RS1206 Servo Case Set w/screws | 1 |
| 27103 | RS1206 Servo Gear Set | 1 |
| 27104 | RT1508 Servo Case Set w/screws | 1 |
| 27105 | RT1508 Servo Gear Set | 1 |
| 27106 | RS1806A Digital HV Hi-Speed Alum. Comp. Servo | 1 |
| 27107 | RT2207A Digital HV Hi-Speed Alum. Comp. Servo | 1 |
| 27120 | RS1806A Servo Gear Set | 1 |
| 27121 | RT2207A Servo Gear Set | 1 |
| 27122 | Reedy Aluminum Servo Horn (25) | 1 |
| 27123 | Reedy Aluminum Clamping Servo Horn (25) | 1 |

:: XP Electronics

| | | |
|-------|--------------------------|---|
| 29166 | XP DS1313 Digital Servo | 1 |
| 29167 | XP DS1015 Digital Servo | 1 |
| 29168 | XP DS1510 Digital Servo | 1 |
| 29210 | 1015 Servo Gear Set | 1 |
| 29216 | XP3G 2.4GHz Radio System | 1 |
| 29253 | XP DS1510 Metal Gear Set | 1 |

:: Tools

| | | |
|------|--|----|
| 1111 | FT Turnbuckle Wrench | 1 |
| 1113 | 12mm Big Bore Shock Tool | 1 |
| 1114 | FT Dual Turnbuckle Wrench | 1 |
| 1449 | FT Off Road Ride Height Gauge | 1 |
| 1519 | FT Hex/Nut Driver Tool Set, 5pc. | 1 |
| 1541 | FT Hex Driver Set, (7 pcs) | 1 |
| 1545 | FT 5/64" Blue Hex Driver | 1 |
| 1546 | FT 3/32" Gold Hex Driver | 1 |
| 1567 | FT 8mm Gold Nut Driver | 1 |
| 1568 | Factory Team 5.5mm Short Nut Driver | 1 |
| 1569 | Factory Team 7mm Nut Driver, T-Handle | 1 |
| 1570 | Factory Team 7.0mm Short Nut Driver | 1 |
| 1590 | FT 3/32" Gold Ball Hex Driver | 1 |
| 1592 | FT Ball Hex Driver Set, (3 pcs) | 1 |
| 1655 | FT 8-Piece 1/4" Hex Drive Set | 1 |
| 1656 | FT 1/4" Hex Drive Handle, without tips | 1 |
| 1657 | FT 1/4" Hex Drive .050" Tip | 1 |
| 1658 | FT 1/4" Hex Drive 1/16" Tip | 1 |
| 1659 | FT 1/4" Hex Drive 5/64" - 2.0mm Tip | 1 |
| 1660 | FT 1/4" Hex Drive 3/32" Tip | 1 |
| 1661 | FT 1/4" Hex Drive 1.5mm Tip | 1 |
| 1662 | FT 1/4" Hex Drive 2.5mm Tip | 1 |
| 1663 | FT 1/4" Hex Drive 3/16" Nut Driver Tip | 1 |
| 1664 | FT 1/4" Hex Drive 1/4" Nut Driver Tip | 1 |
| 1665 | FT 1/4" Hex Drive 11/32" Nut Driver Tip | 1 |
| 1666 | FT 1/4" Hex Drive 5.5mm Nut Driver Tip | 1 |
| 1667 | FT 1/4" Hex Drive 7.0mm Nut Driver Tip | 1 |
| 1668 | FT 1/4" Hex Drive 8.0mm Nut Driver Tip | 1 |
| 1669 | FT 1/4" Hex Drive 5/64" - 2.0mm Ball End Tip | 1 |
| 1670 | FT 1/4" Hex Drive 3/32" Ball End Tip | 1 |
| 1671 | FT 1/4" Hex Drive Standard Screwdriver Tip | 1 |
| 1672 | FT 1/4" Hex Drive Phillips Screwdriver Tip | 1 |
| 1673 | FT 1/4" Hex Drive 2.5mm Ball End Tip | 1 |
| 1674 | FT 1/4" 5 Piece Power Tool Tips Set (5/64"-2.0mm, 1.5mm, 2.5mm, 5/64"- 2.0mm ball, 2.5mm ball) | 1 |
| 1675 | FT Shock Shaft Pliers | 1 |
| 1719 | FT Camber + Track Width Tool | 1 |
| 1737 | FT Body Scissors | 1 |
| 3718 | 12 Inch Nylon Wire Ties | 12 |
| 3719 | 6 Inch Nylon Wire Ties | 12 |
| 3720 | 8 Inch Nylon Wire Ties | 12 |
| 3987 | Composite Droop Gauge | 1 |
| 6429 | Shock Building Tool | 1 |
| 6956 | Molded Tools, Set | 1 |
| 7709 | 4 Inch Nylon Wire Ties | 12 |

:: Kicker

| | | |
|-------|---|---|
| 29269 | KICKER KPw Wireless Speaker System, black | 1 |
| 29270 | KICKER KPw Wireless Speaker System, white | 1 |

:: Apparel / Promotional

| | | |
|--------|---|---|
| SP11 | 2016 Worlds T-shirt, blue, (S, M, L, XL-5XL) | 1 |
| SP12 | 2016 Worlds T-shirt, black, (S, M, L, XL-5XL) | 1 |
| SP13** | AE Lite Jacket - Black - (S, M, L, XL, 2XL) | 1 |
| SP14** | AE 2015 Worlds T-Shirt - Blue (S, M, L, XL-5XL) | 1 |
| SP15** | AE 2015 Worlds T-Shirt - Black (S, M, L, XL-5XL) | 1 |
| SP17** | AE INT'L T-Shirt - Black (S, M, L, XL-5XL) | 1 |
| SP18** | AE INT'L T-Shirt - White (S, M, L, XL-5XL) | 1 |
| SP19** | AE INT'L Hoodie - Black (S, M, L, XL-3XL) | 1 |
| SP20 | AE Patch Trucker Hat | 1 |
| SP23** | AE Splash T-shirt - Black (S, M, L, XL-5XL) | 1 |
| SP24** | AE Splash T-shirt - Blue (S, M, L, XL-5XL) | 1 |
| SP29 | Team Associated Countertop / Setup Mat | 1 |
| SP30 | Team Associated Pit Mat | 1 |
| SP31 | Reedy Countertop / Setup Mat | 1 |
| SP38 | Reedy Trucker Hat | 1 |
| SP71** | AE Winter Jacket - Black (S, M, L, XL, 2XL) | 1 |
| SP112* | Reedy Medallion T-Shirt - Black (S, M, L, XL-3XL) | 1 |
| SP421S | AE 2012 Hat, Black, Flat Bill, S/M | 1 |
| SP421L | AE 2012 Hat, Black, Flat Bill, L/XL | 1 |
| SP422S | AE 2012 Hat, Black, Curved Bill, S/M | 1 |
| SP422L | AE 2012 Hat, Black, Curved Bill, L/XL | 1 |
| SP423S | AE 2012 Hat, White, Flat Bill, S/M | 1 |
| SP423L | AE 2012 Hat, White, Flat Bill, L/XL | 1 |
| SP424S | AE 2012 Hat, White, Curved Bill, S/M | 1 |
| SP424L | AE 2012 Hat, White, Curved Bill, L/XL | 1 |
| SP425 | FT Fluid Carrier | 1 |
| 715 | Reedy 2009 Track Banner | 1 |
| 110684 | Team Associated Track Banner | 1 |
| 110685 | Team Associated Cloth Banner | 1 |
| 110686 | Reedy Circuit Cloth Banner | 1 |
| 29269 | KICKER KPw Wireless Speaker System, (black) | 1 |
| 29270 | KICKER KPw Wireless Speaker System, (white) | 1 |

** Use part number plus the desired size when ordering!

:: Contact Information

Check out the following web sites for all of our electric kits, current products, new releases, setup help, tips, and racing info!

Associated Electrics, Inc.
 26021 Commercentre Drive
 Lake Forest, CA 92630-8853 USA
<http://www.RC10.com>
http://twitter.com/Team_Associated
<https://www.instagram.com/teamassociatedrc/>
<http://www.facebook.com/TeamAssociated/>

call: (949) 544-7500
 fax: (949) 544-7501



**Associated Electrics, Inc.
26021 Commercentre Dr.
Lake Forest, CA 92630 USA**

<http://www.RC10.com>

https://twitter.com/Team_Associated

<https://www.instagram.com/teamassociatedrc/>

<https://www.facebook.com/TeamAssociated/>

call: (949) 544-7500 - fax: (949) 544-7501

**Check out the following web sites for all of our kits,
current products, new releases, setup help, tips, and racing info!
www.TeamAssociated.com - www.RC10.com**