



Hornet 460

Instruction Manual · 使用说明

Thank you

Thank you for selecting the Hornet 460 from Dualsky! This kit is designed to be fun to fly and uses top quality parts for durability and performance. This instruction manual you are reading was designed to be easy to follow, yet thorough in its explanations. Dualsky wants you to enjoy the performance and experience of using our products. If you have come across any problems or require further assistance, contact us or one of our international distributors and we will do our very best to help you. You can also contact us on the internet at www.dualsky.com

- *This is a high performance R/C kit, and it requires regular maintenance for best performance. If you don't do regular maintenance the performance will suffer. Dualsky has all the necessary parts and accessories available to keep your aircraft performing at its best.*

The caution or attention symbols will warn you about steps that can be very dangerous. Please read and understand the instructions carefully before proceeding.



Caution
警告

Failure to follow these instructions can damage your kit, and cause serious bodily injury or death.



Attention
注意

Failure to follow these instructions can cause injury to yourself or others. You might also cause property damage or damage your kit.



Caution
警告

Before Flying

- Please read manual with parent or guardian (responsible adult).
- Turn ON transmitter first, and then turn ON the receiver. This will prevent the aircraft from losing control.

Before Operating

- Make sure that all screws and nuts are properly tightened.
- Always use fully charged batteries in your transmitter and receiver to avoid losing control of the model.
- Make sure no one else is using the same radio frequency that you are using.
- Please confirm the range of the radio operation.

During Flying

- Please do not fly in a public area, this could cause serious accidents, personal injuries and/or property damage.
- Please do not fly near pedestrians or small children.
- Please do not fly in small and confined areas.

After Flying

- Turn OFF receiver first, then turn OFF transmitter. This will prevent the aircraft from losing control.

Battery Safety

- Please be careful when handling the battery. It could be hot after running. As part of a regular maintenance routine, be sure to check all wiring including battery wire and terminals.

感谢您

感谢您选择双天的Hornet 460! 这款套件力求让您体验到飞行的乐趣, 在设计时我们选用顶级材料与配件以保证最佳的可靠性和飞行表现。您正在阅读的这份使用说明力求通过简单易懂的描述让您对本产品有一个全面细致的了解。我们希望您能够喜欢我们的产品。如果您在使用过程中遇到问题, 或者需要一些帮助来完成某一步骤, 请您致电我们公司, 我们会竭诚为您服务。您可以通过我们公司的网站 (www.dualsky.com) 来联系我们。

· 这是一款高性能的遥控模型套件, 它需要一定的常规维护来使其保持在最佳状态。如果您不进行常规维护, 那么产品的性能将会受到影响。双天公司提供完备的产品配件及附属装备来保证您的飞行器始终工作在最佳状态下。

警告及注意事项符号将会提醒您哪些安装或使用步骤会变得十分危险。
请在操作前仔细阅读并完全理解这些说明。



Caution
警告

未能按照说明操作将会损坏您的套件, 并会造成严重的身体伤害甚至死亡。



Attention
注意

未能按照说明操作将会伤害到您或他人。您也有可能造成财产损失或损坏到您的套件。



Caution
警告

在飞行前

- 请与父母或监护人 (能够负责的成年人) 一起阅读本“使用说明”。
- 先打开遥控器的开关, 再打开接收机的开关。这可以防止飞行器失控。

在操作前

- 确保所有螺丝和螺帽都已经正确锁紧。
- 总是在遥控器和接收机中使用全新的或完全充电的电池以防止模型失控。
- 确保没有人和您使用相同的遥控频率。
- 请确认遥控距离在遥控器的可操作范围之内。

在飞行中

- 请不要在公共场合飞行, 这可能会引起严重的意外事故、人身伤害及财产损失。
- 请不要在行人或儿童附近飞行。
- 请不要在狭小受限的环境中飞行。

在飞行后

- 先关闭接收机的开关, 再关闭遥控器的开关。这可以防止飞行器失控。

电池安全

- 请小心使用电池。它在飞行之后会变得很热。如果电池组的接线受到磨损, 有可能会短路, 进而引发火灾。作为日常维护工作的一部分, 请确保检查电池接线和插头。

Table of Contents

Section	Contents	Page
	<i>Thank you</i>	2
1	<i>Equipment Needed</i>	5
2	<i>Packing List</i>	6
3	<i>Assembly Instruction</i>	8
4	<i>Configuration</i>	16
5	<i>Test Flight</i>	18
6	<i>Exploded View</i>	20
7	<i>Parts List</i>	21
8	<i>Optional Parts List</i>	22

* Visit our website at Dualsky.com to view our updated instruction manual.

目录

章节	内容	页码
	感谢您	2
1	所需设备	5
2	包装清单	6
3	安装指南	8
4	设定与调试	16
5	试飞	18
6	产品爆炸图	20
7	配件清单	21
8	选装配件清单	22

* 请访问我们的网站 www.dualsky.com 以获取最新说明书

1 Equipment Needed

所需设备

Electronics 电子设备

The Hornet 460 requires the following items to complete: at minimum a 4-channel radio system (we recommend a 6-channel or higher radio system), Lithium Polymer (LiPo) battery pack (recommend Dualsky 1700-5000mAh 11.1V) and battery charger.

您需要准备一套4通道（或以上的）遥控设备、锂电池组和电池充电器。

Transmitter

发射机



Receiver

接收机



Lipo Battery Pack (11.1V)

锂电池组 (11.1V)



*Dualsky 1700-5000mAh Recommended

Battery Charger

电池充电器



Caution
警告

If you do not use a charger designed to charge Nickel Metal Hydride / LiPo batteries, the batteries will be damaged.

如果您使用的电池充电器不是专为镍氢和锂电池所设计的，那电池将会被损坏。

Tools 工具

Tools needed for assembly. Sold Separately.

组装所需的工具。需要单独购买。

Allen Wrench

内六角螺丝刀



#2 Philips Head Screwdriver

十字螺丝刀(2号)



M6 Wrench

M6扳手

M3 Wrench

M3扳手

Thread Lock

螺丝胶

2 Packing List

包装清单

Box A

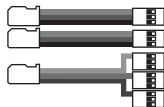
Bottom Case, Canopy and Parts 底壳、头罩和零部件



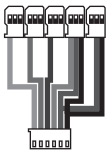
21021
FC430 Flight Control Unit
FC430 飞控



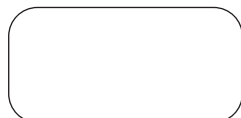
21021-1
Double Sided Tape
双面胶



21022
FC430-Wire Set
FC430 接线套件



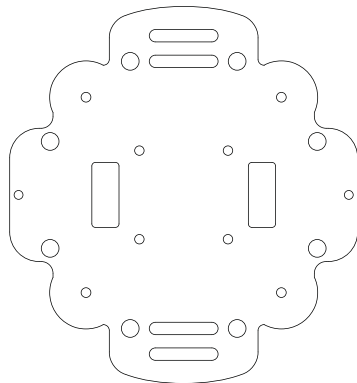
21010
H460-Wire Set
H460 接线套件



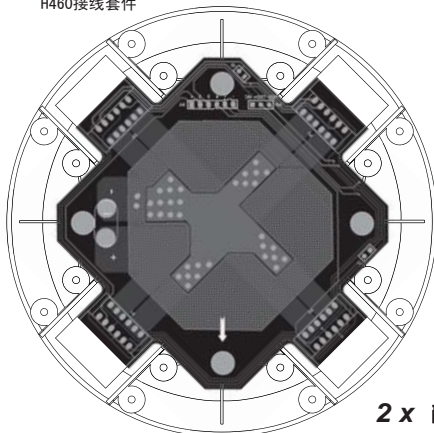
Battery Patch
电池魔术贴片



Battery Fastener
电池紧固带

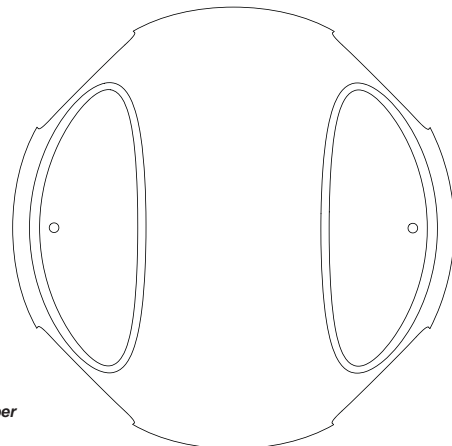


21007
H460-Upper Deck
H460 二楼板

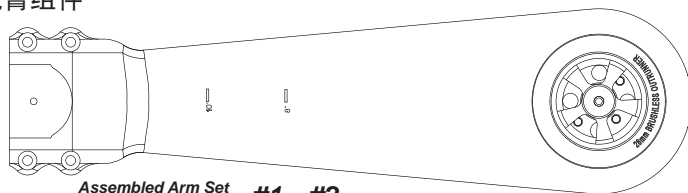


Assembled Lower Case w/Battery Mount
安装完成的底壳 (带电池安装架)

2 x  Jumper
跳线

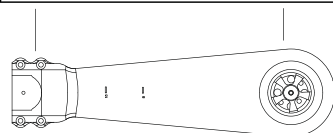


Canopy
头罩

Box B**Arm Set 机臂组件****2 x**

Assembled Arm Set #1, #2
安装完成的机臂组件

Attention 注意
Please peel off the protective film before assembly
安装前请撕去保护膜



Box D also has two assembled Arm Sets inside (#3, #4)

D盒中也有两支安装完成的机臂组件 (#3, #4)

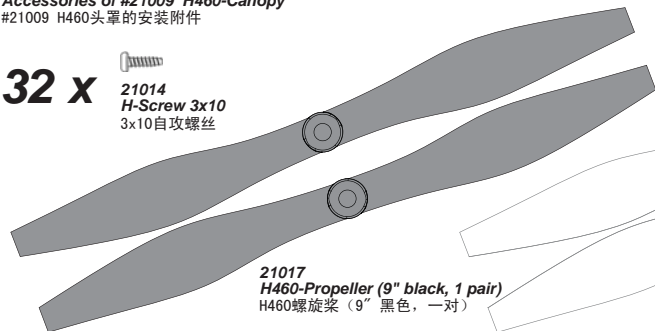
Box C**Landing Gear, Propeller and Parts 起落架、螺旋桨与零部件**

Nut M3 x 2pcs M3螺母 x 2颗	Washer M3 x 2pcs M3垫片 x 2片	Plastic Washer M3 x 2pcs M3塑料垫片 x 2片	Spring Washer M3 x 2pcs M3弹簧垫片 x 2片	M3x12 Post x 2pcs M3x12螺丝立柱 x 2个	M3x5 Washer Screw x 2pcs M3x5带垫片螺丝 x 2颗
-----------------------------------	--------------------------------------	--	---	--	---

Accessories of #21009 H460-Canopy
#21009 H460头罩的安装附件

32 x

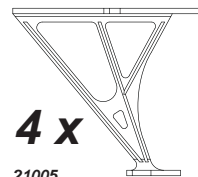
21014
H-Screw 3x10
3x10自攻螺丝



21017
H460-Propeller (9" black, 1 pair)
H460螺旋桨 (9" 黑色, 一对)

21018
H460-Propeller (9" white, 1 pair)
H460螺旋桨 (9" 白色, 一对)

Each pair of propellers includes one Normal and one Reverse propeller
每对桨都包括一支正桨和一支反桨

4 x

21005
H-Landing Gear
起落架



Propeller Mount x 4pcs
桨座 x 4个



Nut M6 x 4pcs
M6螺母 x 4颗



Set Screw x 4pcs
顶丝 x 4颗

41016
PM32S - Propeller Mount Set
PM32S 桨座组件

3 Assembly Instruction

安装指南

Repeat
Steps

重复
步骤

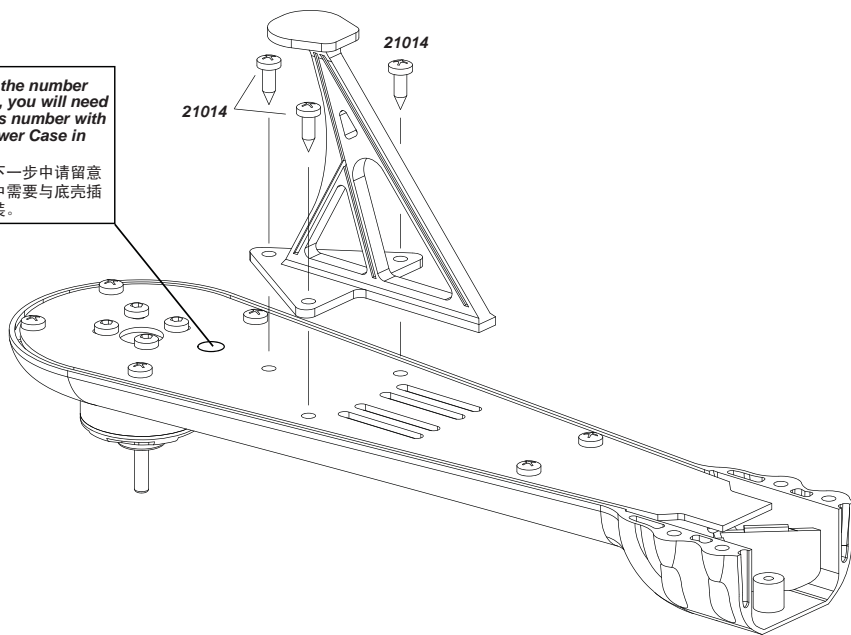
Repeat this step
to install Landing
Gear to Arm Sets
in Box B and D

重复此步骤，将起落架
安装到B盒和D盒中的
机臂上

1

Install Landing Gear 安装起落架

Attention 注意 Please note the number marker here, you will need to match this number with the slot number on the Lower Case in the next assembly step.
请留意机臂此处的编号，在下一步中请留意机臂此处的编号，在下一步中需要与底壳插口的编号一一对应，依次安装。



Repeat
Steps

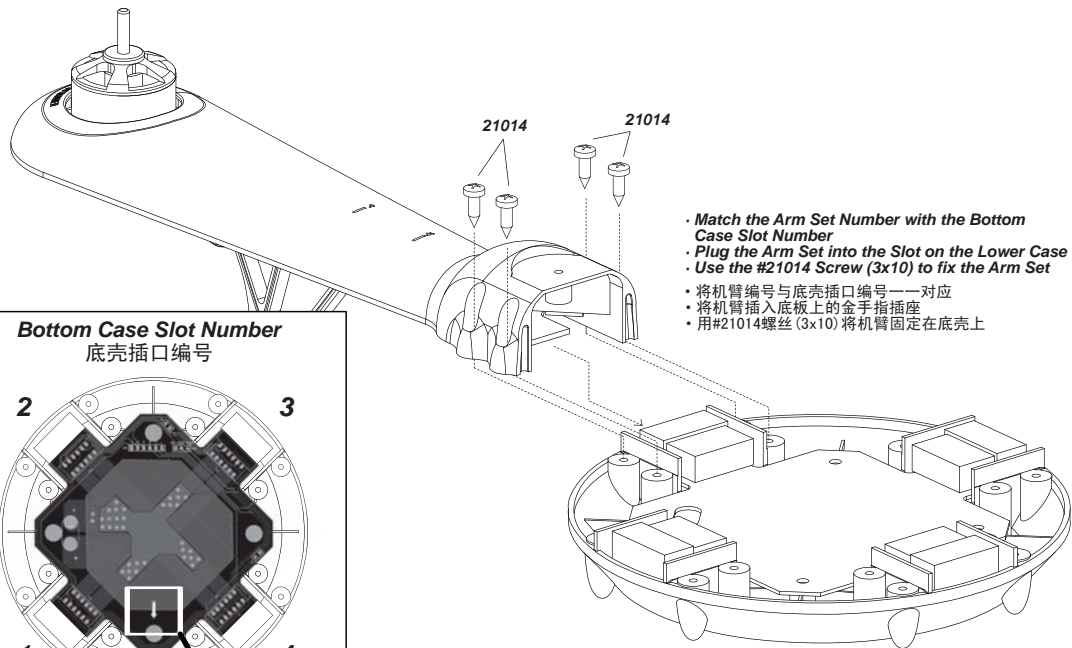
重复
步骤

Repeat this step
to install Arm Sets
to four directions
of the Lower Case

重复此步骤，将机臂
安装到底壳的四个方
向上

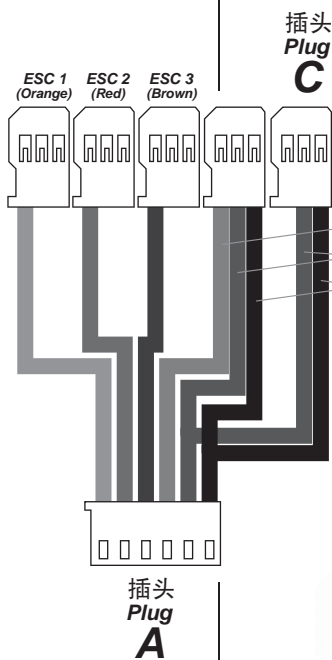
2

Install Arm Set to Bottom Case 将机臂安装到底壳上



3

Connect Cables 连接线缆



插头 Plug C

(White)
(Red)
(Black)

跳线 Jumper B

跳线 Jumper D

端口 Port A 端口 Port B 端口 Port C

端口 Port D

- Connect cables and jumpers according to the Letter
- Jumper B is the switch for the LEDs on Arm 1 and 4
- Jumper D is the switch for the LEDs on Arm 2 and 3
- 按照字母表示连接对应的线缆和跳线帽
- 跳线帽B是机臂1和4上的LED的控制开关
- 跳线帽D是机臂2和3上的LED的控制开关

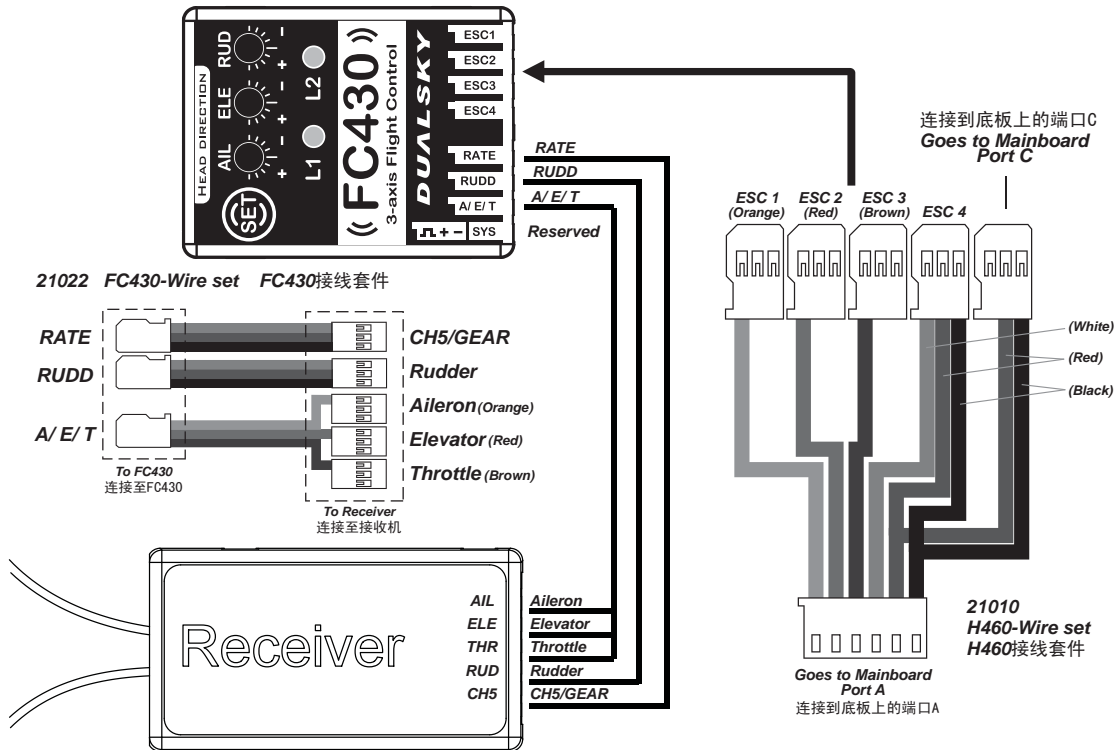


4

Radio Connections 遥控设备连接

The AIL, ELE, THR and RUD port sequence on the receiver may vary between brands (refer: Page 16). Please refer to your radio manufacturer's instruction manual for correct installation.

不同厂商的接收机上，AIL, ELE, THR和RUD接口的排列顺序可能会不同。请参考遥控设备厂商的说明书以保证正确地连接各部件。



Multiple solutions

多种 可选方案

There are three different layouts you can choose

此步骤有三种可选的安装布局

5

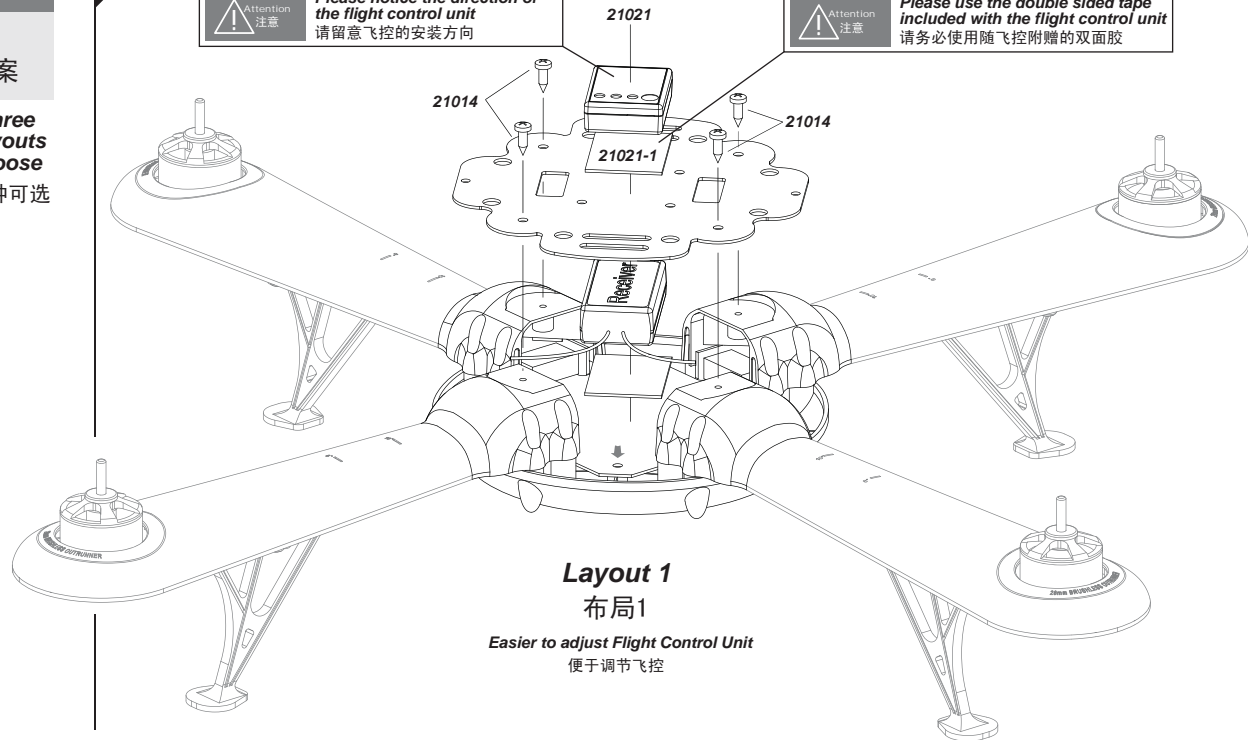
Install Radio Equipment 安装遥控设备



Please notice the direction of the flight control unit
请注意飞控的安装方向



Please use the double sided tape included with the flight control unit
请务必使用随飞控附赠的双面胶



Layout 1 布局1

Easier to adjust Flight Control Unit
便于调节飞控



Attention
注意

Please notice the direction of the flight control unit

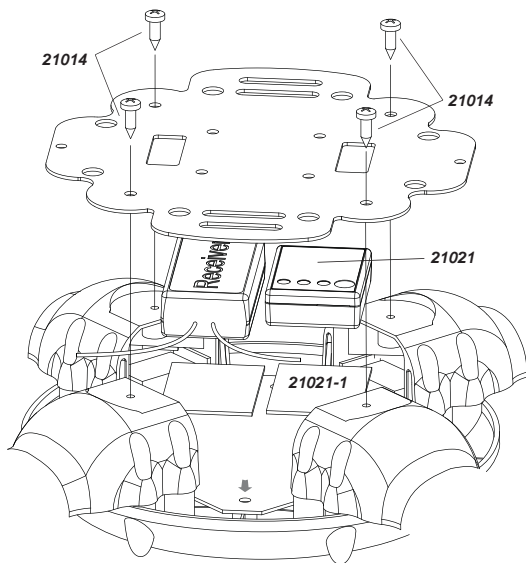
请留意飞控的安装方向



Attention
注意

Please use the double sided tape included with the flight control unit

请务必使用随飞控附赠的双面胶

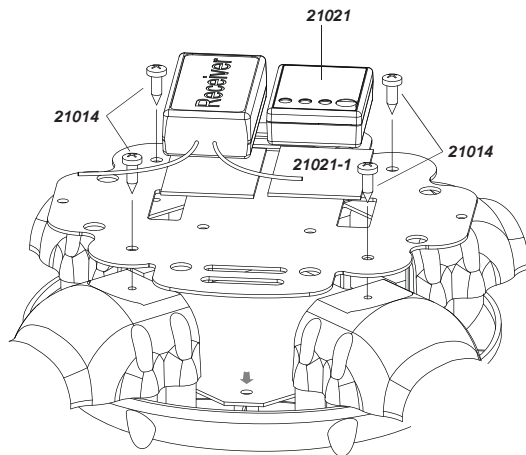


Layout 2

布局2

Upper Deck can be used to mount other devices

二楼板可以用于安装其他设备



Layout 3

布局3

Easier to change/adjust receiver and flight control unit

便于拆装和调整接收机与飞控

Repeat
Steps

重复
步骤

6

Install Propeller 安装螺旋桨

Repeat this step
to install Propellers
重复此步骤，安装
四支螺旋桨

Black, REV
黑色，反浆

White, NOR
白色，正浆

Please use Thread Lock
(not included) on the Set
Screw and the Propeller Mount
请在顶丝螺丝和桨座上使用
螺丝胶（产品中不包括螺丝胶）

Install all four propellers
as shown in the picture
如图所示，安装四支螺旋桨



Please notice the color and direction
of rotation is different for each propeller
请留意每只螺旋桨的不同的颜色和旋转方向

41016

21017 / 21018

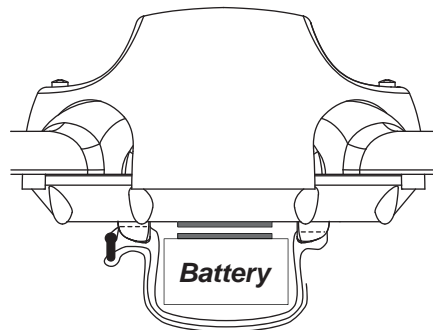
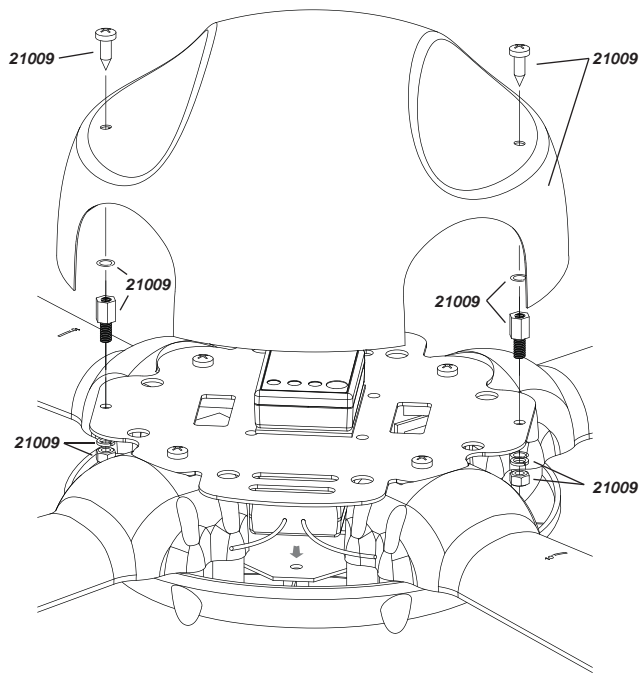
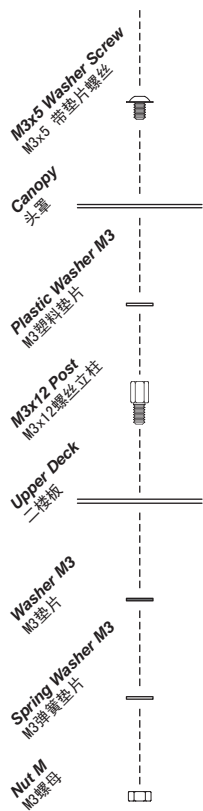
41016

Black, NOR
黑色，正浆

White, REV
白色，反浆

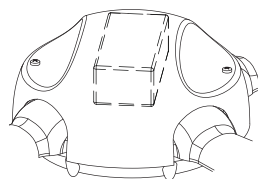
7

Install Battery Pack and Canopy 安装电池组和头罩



Stick the Battery Patch to the Lower Case and the Battery. Use the Battery Fastener to fix the battery as shown in the above picture.

把电池魔术贴片分别贴在底壳和电池上。按照上图所示，用电池紧固带把电池扎牢。



If you choose Layout 2 when you install the radio equipment, you can mount the battery (Dualsky XP17003EX) inside of the Canopy. You also need to change the direction of the Power Wire on the Mainboard.

如果您在安装电子设备时选择了“布局2”，那么您可以将电池（双天 XP17003EX）安装在头罩内。但您也需要重新焊接底板上的电源线以改变其方向，使其可以在头罩内连接电池。

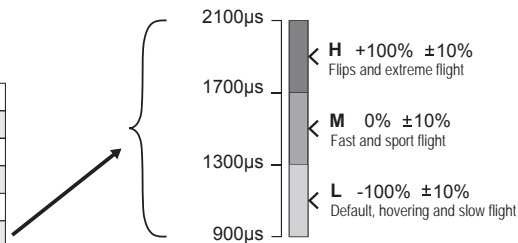
4 Configuration 设定与调试

Transmitter Setting 遥控器设置

- The Hornet 460 needs a 4-channel or higher radio controller to operate;
- Set the radio to "Airplane Mode", turn off all the mixing functions, set all channel's D/R to 100%;
- Set all channel's trim, sub-trim and mechanical trim to "0";
- Set all channel's direction according to the below chart;
- If you are using a 4-channel radio controller, the sensitivity of sticks can be set in Flight Control Unit. If you are using a 5-channel or higher radio controller, please connect the RATE to CH5/GEAR channel on the receiver, then sign a 3-position or 2-position switch on the radio to CH5/GEAR channel, set this switch to Low. This channel is used to adjust the sensitivity of the sticks. Please check the diagram on the right for corresponding value of this channel.

	Futaba	JR	Spektrum	HOTT
AILERON	NOR	REV	REV	REV
ELEVATOR	REV	NOR	NOR	NOR
THROTTLE	REV	NOR	NOR	NOR
RUDDER	NOR	REV	REV	REV
CH5/GEAR	NOR	REV	NOR	REV

- 双天H460四旋翼需要一台四通道或以上的遥控设备;
- 设定遥控器为固定翼模式, 如果遥控器有混控功能, 请关闭所有混控, 将各通道行程都设为100%;
- 各通道的电子微调 (TRIM或SUBTRIM菜单) 和摇杆的机械微调都归 "0";
- 如下图所示, 根据品牌设定遥控器各通道正反向;
- 如果使用四通道遥控器, 操纵杆灵敏度可在飞行中设定。如果您使用五通道或以上的遥控器, 请将 RATE 连接至CH5/GEAR通道, 并在遥控器上与三段或两段开关关联, 开关拨至最小。该通道用来调节飞行过程中操纵杆灵敏度。开关通道对应数值, 请参考下图:



ESC Initial Setting 电调行程设定

- Turn on the radio controller, push the throttle stick to the top, turn on power to the Hornet 460, when L1 shows blue in color, it means the ESC is in initial setting mode;
 - Wait until the ESC's long beep (it means the top point of throttle has been confirmed), then pull the throttle stick to lowest point;
 - Wait about 1 second for a short beep (it means the lowest point of throttle has also been confirmed), the ESC initial setting is finished;
 - Don't move the throttle stick after initial setting, turn the power off to the Hornet 460, then reconnect the power after 5 seconds, the new setting will be applied.
- 开启遥控器, 将油门推至最高, 接通四旋翼飞行器的电源, L1蓝灯亮时, 即进入电调行程设定模式;
 - 等待电调发出“滴”声 (长声), 表明油门最高点已经确认, 此时应立即将油门收至最低;
 - 等待约1秒, 电调再次发出“滴”声 (短声, 约0.2秒), 表明油门最低点确认, 即完成电调行程设定。电调设定完成后请勿推高油门 (为确保安全, 建议断开电源后重新接通)。

Flight Control Setting 飞控设置



ALL SETTINGS ARE OPTIMIZED TO FIT HORNET 460, DON'T CHANGE THEM UNLESS IT'S NECESSARY.
 设定项目根据双天H460已做最优化处理，如非特殊情况无需设定。

• **How to enter Setting Mode:** Turn on radio controller, move the throttle to lowest position; turn on power to the Hornet 460, wait until the L1 LED finishes flashing Green and then changes to RED (Now the flight control is in Lock Mode); press the "SET" button on the flight control to enter Setting Mode. After you enter Setting Mode, L1 displays the corresponding SETTING ITEM menu attributes (color), and L2 displays the corresponding SETTING VALUE menu attribute (color).

• "SET" Button usage:

- 1) **Long Press** (more than 2 sec) under Lock Mode: **enter Setting Mode**
- 2) **Single Click** under Setting Mode: **switch between SETTING ITEM**
- 3) **Double Click** (finish within 0.5 sec) under Setting Mode: **change SETTING VALUE**
- 4) **Long Press** (more than 2 sec) under Setting Mode: **Save and Quit** to Lock Mode

• Please check the below chart for all settings.

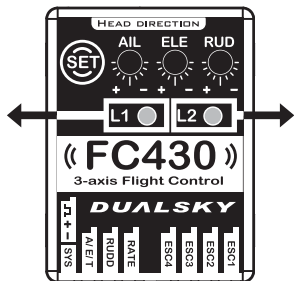
• 如何进入设定模式：打开遥控器，油门收至最低，接通四旋翼飞行器的电源，等待飞控L1绿灯闪烁结束红灯常亮（此时为锁定状态）后，长按飞控上的“SET”按钮进入设定模式。此时，L1的颜色指示设定项目，L2的颜色指示该设定项当前设定值。

• 按键操作说明：

1. 锁定状态下长按（大于两秒）：进入设定模式
2. 设定状态下单击：改变设定项
3. 设定状态下双击（双击有效间隔小于0.5秒）：改变该项设定值
4. 设定状态下长按：保存并退出

• 具体设定项如下表所示

L1	
Setting Item 设定选项	
Blue 蓝色	D/R 杆量
Green 绿色	ESC PWM Freq. 电调PWM频率
Red 红色	Gyro Direction 陀螺仪方向
Yellow 黄色	Potentiometer Lock 电位器锁定
Purple 紫色	Flying Mode 飞行器模式
White 白色	Factory Reset 恢复出厂设置



L2			
Setting Value		设定值	
Blue 蓝色	Green 绿色	Red 红色	Yellow 黄色
Low 小杆量	Middle 中杆量	High 大杆量	
400Hz	200Hz	266Hz	333Hz
Front face upward 正面向上	Back face upward 背面向上	Front face to left 正面向左	Front face to right 正面向右
Not Lock 未锁定	Lock 锁定		
X Type X型	Cross Type 十字型		
Reset 恢复设置	* Blue color setting indicates default values • 蓝色设定值是默认值		

• Some settings will take effect after the Hornet 460 is restarted. Cut the power to the Hornet 460 and reconnect after 5 seconds to apply the new settings.

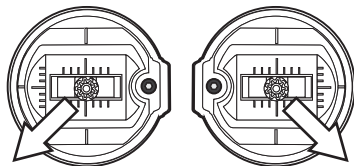
• 部分设定需重启飞控后才能生效，因此在飞控设定完成后，请断开四旋翼飞行器的电源，稍等5秒钟再重新接通电源以应用新的设定值。

5 Test Flight 试飞

Unlock & Propeller Direction Check 解锁与螺旋桨方向检查

• Make sure the Hornet 460's battery is fully charged, and you are in a wide, flat area;
• Turn on the radio, pull the throttle stick to lowest position, plug in the power to the Hornet 460. L1 LED on FC430 Flight Control will flash Green (initial startup process), don't move sticks on the radio controller, keep the Hornet 460 still. When the L1 LED changes to Red, it means the initial startup process has finished and the Hornet 460 is now in Lock Mode (throttle will not operate). Move the sticks as shown in the diagram (below) and hold for about 0.5 sec to unlock the Hornet 460. After unlock, motors will reach idle speed for about 1 sec. If you don't do any stick movements during this period after "unlock" (5-seconds) the Hornet 460 will return to Lock Mode again.

- 确保Hornet 460的动力电池电量充足，飞行器四周没有障碍物；
- 打开遥控器，油门收至最低，接通Hornet 460的电源。飞控上的L1绿灯闪烁时为飞控初始化过程，此过程中请勿拨动操纵杆，并保持飞行器静止。L1绿灯闪烁结束红灯常亮后即进入锁定状态，此时推油门无效。执行下图中的拨杆动作并保持约0.5秒即可解锁，解锁后电机保持怠速约一秒。解锁后五秒内如不将油门推高或执行拨杆动作，飞控将会重新进入锁定状态。

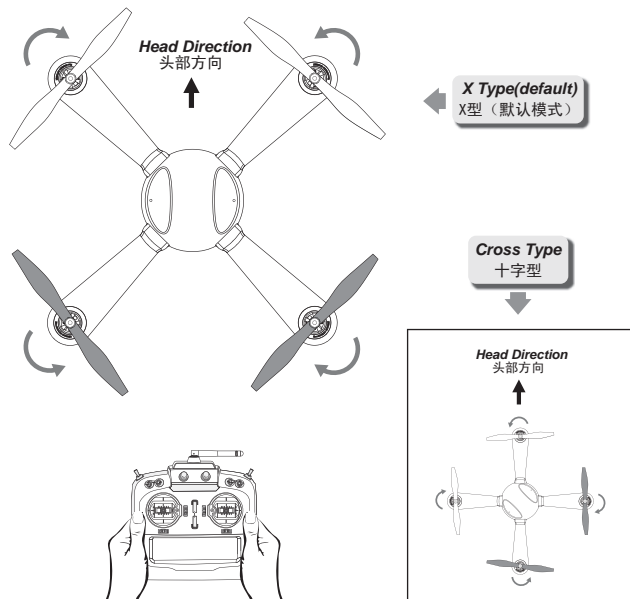


* This movement is the same for both Mode I and Mode II transmitters to "unlock" the Hornet 460

*模式1和模式2的用户都可以使用这个动作来解锁

After unlock, push the throttle a fraction above idle speed, check if the propellers run in correct direction like shown in below diagram.

解锁后，将油门推至略高于怠速，查看螺旋桨旋转方向是否与下图所示一致。



Ground Test 地面测试

- Put the 3-position switch on the radio to low, Put the remote control CH5/GEAR switch to low. After initialization or toggle this switch, L2 LED indicates the state of the current switch position: blue indicates low stick input, green indicates middle stick input, red indicates high stick input. set all sensitivity potentiometers on FC430 Flight Control Unit to neutral;
- Direction check: Controlling the throttle, make sure the Hornet 460 doesn't leave the ground. Slightly move each stick to observe if the Hornet 460 moves with your stick input direction. If the direction is opposite, please change the channel direction on the radio. If the stick returns to neutral point and the Hornet 460 remains in a "tilted" position, it means the flight control is working properly.

- 将遥控器上的三段开关拨至最小，将遥控器CH5/GEAR对应的开关拨至低位。初始化结束或拨动此开关，L2会指示当前开关位置对应的杆量：蓝色表示低杆量，绿色表示中杆量，红色表示高杆量。飞控上的感度电位器都旋至中间。
- 控制油门，保证飞行器不要离开地面，依次轻微拨动各通道操纵杆，观察飞行器在地面的倾斜状态与操纵杆的方向是否一致，如不一致，请在遥控器上更改相应通道的正反：在操纵杆回中后飞行器如果能保持倾斜状态，表明飞控工作正常。



Adjust the sensitivity 调节感度

- The weight on the Hornet 460 can differ depending on the choice of battery. This will impact center of gravity, and the flight characteristics. To improve flight performance you can address the below.
- Normally, if the sensitivity is set too high on the "pitch" (elevator) axis, the opposing axis (i.e., aileron) will vibrate; if the sensitivity is set too low on the "pitch" (elevator) axis, the opposing axis (i.e., aileron) will respond with delay to stick movement.
- If the sensitivity is set too high on the rudder axis it will cause the motors to over react, which will make the Hornet 460 unstable in pitch and yaw direction; if the sensitivity is set too low on the rudder axis, the Hornet 460 will have difficulty on tail lock.

- When adjusting the sensitivity don't change the setting too much, 5-10 degrees is enough. When you find a stable range, then tweak it for optimum performance.

- 不同的四旋翼飞行器因为重量、重心、马达和螺旋桨的不同会导致感度也不同。
- 一般俯仰轴和横滚轴感度过大会导致在该轴上的震荡；感度过低会导致在该轴上的动作偏软，突然打杆时飞行器停止不干脆、难以控制。
- 航向轴的感度过大会导致电机的加减速过于激烈，导致其他方向上的不稳定；过低则对航向的锁定有影响，打杆时飞行器停止不干脆。
- 每次感度调节请勿过大，每次旋转电位器5-10度即可，基本稳定后可继续进行细微调节。

Caution of the Low Voltage Protection 低电压保护的注意事项

All ESCs on the Hornet 460 have low voltage protection function, but if one of the ESCs starts low voltage protection, the quadcopter will lose balance immediately. To prevent accident during flying, flight times should be kept to a conservative time in relation to the operating batteries capacity. You can check the sheet at right side as a reference of your flight time.

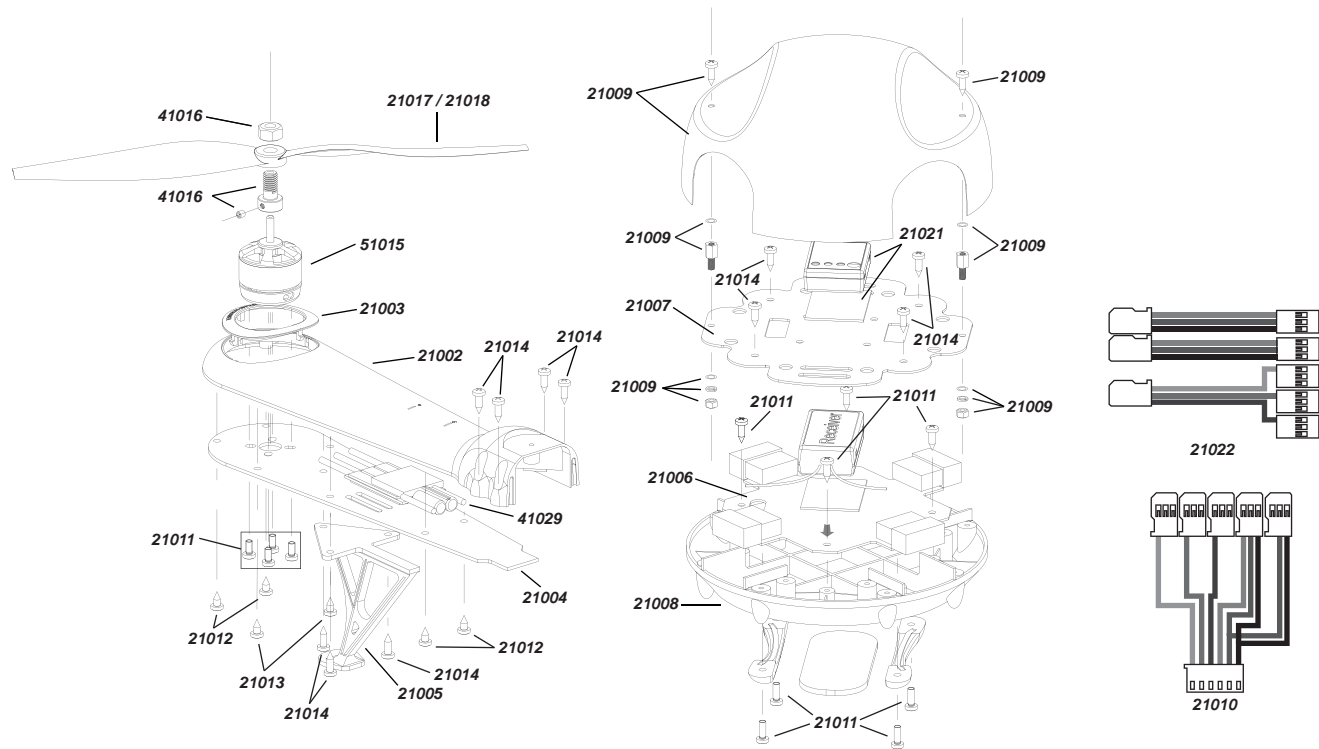
Hornet 460的四颗电子调速器都具备低电压保护功能，但是任意一颗调速器的保护功能启动，都会立即导致Hornet 460的飞行状态失调。为了防止在飞行中发生意外，请根据您所使用的电池容量将飞行时间控制在一个保守的范围之内。请将右侧的表格中的数据作为您预估飞行时间的参考。

	Dualsky XP17003EX (1700mAh 11.1V)	Dualsky XP22503GT-S (2250mAh 11.1V)	Dualsky XP46003HED (4600mAh 11.1V)
Suggested Flight Time 建议飞行时间	6 min.	8 min.	15 min.

- * Suggested Flight Time is tested with new and fully charged Dualsky battery, under zero payload weight. Please estimate a safety flight time according to battery condition, payload weight and flight condition. 建议飞行时间为使用全新充满电的Dualsky电池，在空载状态下测得。请根据电池状况、负载重量及场地环境来预估合理安全的飞行时间。

6 Exploded View

产品爆炸图



7 Parts List

配件清单

Parts List

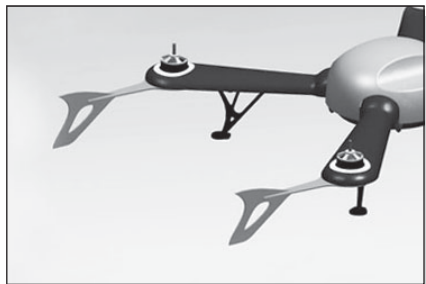
No.	Description
21002	H-Arm, 2pcs, without rings
21003	H-Arm ring, 2 pcs
21004	H-Arm board, 2pcs
21005	H-Landing gear, 2 pcs
21006	H460-Mainboard, with plugs
21007	H460-Upper deck
21008	H460-Lower case, w/ battery mount
21009	H460-Canopy, w/ screw set
21010	H460-Wire set
21011	H-Hex screw 3x6, 20pcs
21012	H-Screw 3x6, 20pcs
21013	H-Screw 3x8, 20pcs
21014	H-Screw 3x10, 20pcs
51015	XM2830CA-Hornet, 830RPM/V
41016	PM32S - Propeller Mount Set
41029	XC-22-MR, 22 amps ESC
21017	H460-Propeller 9", Black, 1 pair
21018	H460-Propeller 9", White, 1 pair
21021	FC430 Flight Control Unit for Quad Rotor
21022	FC430-Wire set

配件清单

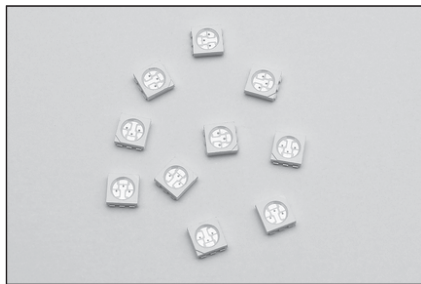
配件编号	品名
21002	机臂 2件装 (不带适配环)
21003	机臂适配环 2件装
21004	机臂电路板 2件装
21005	起落架 2件装
21006	H460主板 (带插头)
21007	H460二楼板
21008	H460底壳 (带电池架)
21009	H460头罩 (带固定螺丝套件)
21010	H460接线套件
21011	内六角螺丝 3x6 20颗装
21012	十字螺丝 3x6 20颗装
21013	十字螺丝 3x8 20颗装
21014	十字螺丝 3x10 20颗装
51015	XM2830CA-Hornet专用无刷马达 (830RPM/V)
41016	PM32S 桨座组件
41029	XC-22-MR四旋翼专用电调 (22A)
21017	H460螺旋桨 (9" 黑色 一对装)
21018	H460螺旋桨 (9" 白色 一对装)
21021	FC430四旋翼专用飞控
21022	FC430接线套件

8 Optional Parts List

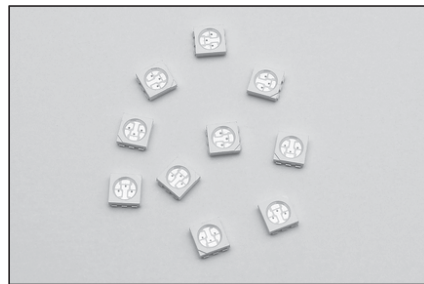
选装配件清单



21039 - H460-Tail Set, 1 pair
尾翼套件 一对



21041 - H-LED, Green, Large, 10 pcs
绿色LED 大号 十颗装



21042 - H-LED, Red, Large, 10 pcs
红色LED 大号 十颗装



21019 - H460-Propeller 10", Black, 1 pair
10寸螺旋桨 黑色 一对装



21020 - H460-Propeller 10", White, 1 pair
10寸螺旋桨 白色 一对装



21023 - FC430-Wire Set L
FC430接线套件 长型



21026 - H460-Camera Mount
相机架



35494 - XP17003EX 3S 1700mAh, Light Weight
轻量化锂电池



32838 - XP46003HED Light Weight & Durable
耐久性轻量化锂电池

*For more Optional Parts information,
please visit our website*

更多选装配件信息请访问我们的网站



www.Dualsky.com

Pictures, features and specifications are subject to change without notice.

Hornet 460

The Innovative Quadcopter

DUALSKY[®]
ADVANCED POWER SYSTEMS

Shanghai DUALSKY Models Co., Ltd.
Tel: +86 21 50322162, +86 21 50322161
Fax: +86 21 50322163
ADD: Rm.1016, No.201, XinJinQiao Rd.,
Shanghai, China. P.C.:201206

上海双天模型有限公司
电话: 021-50322161 021-50322162
传真: 021-50322163
地址: 上海市浦东新区新金桥路201号1016室
邮编: 201206