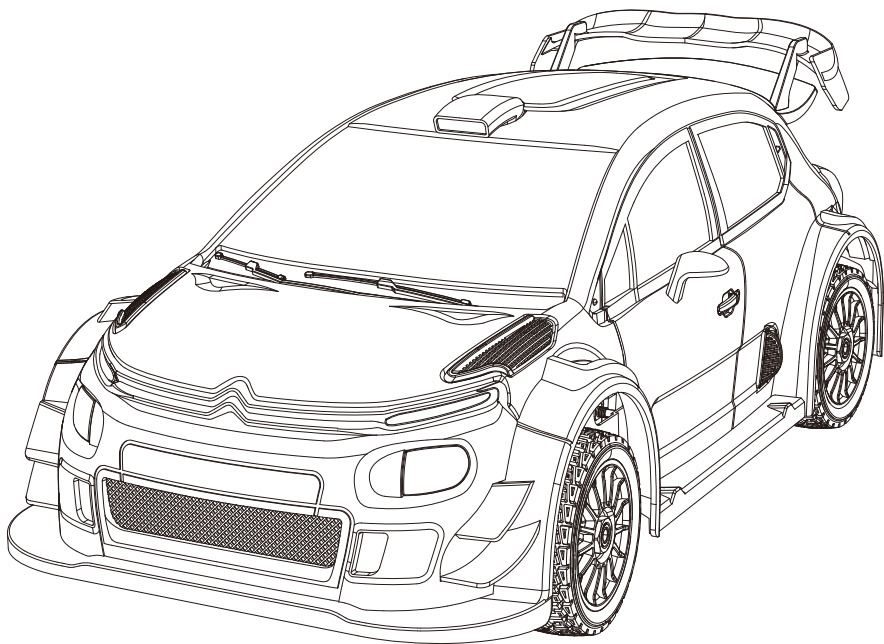


# ***HYPER GO***

## **1:7 RC HIGH SPEED CAR USER MANUAL**



The instruction sheet for this product is just for your reference. We reserve the right to make changes or adjustments on the product without prior notification. Please refer to the official information.

## Warning:

Choking hazard! This product contains small parts. NOT suitable for children under 3 years. Contains electrical components and should be kept dry at all times. Regularly check the battery charger wires, plugs and shell and other components for damage. DO NOT use if any part is damaged.

## Warnings & Cautions

1. Detachable small parts should be stored safely and out of reach of children.
2. If interference is experienced, turn the model off and try it again in a different area.
3. Transmitter will not function correctly if the batteries are low. Please replace the batteries.
4. Please discard old/used batteries in a safe manner. Consider your environment!
5. Please store the remote control model in cool, dry place.
6. DO NOT expose to fire or high temperatures, do not store in moist place.
7. Once the battery get wet, wipe immediately with a soft dry cloth.  
If the battery any deformation, please stop using.
8. If you don't use the model for a long time, please raise the chassis to let the wheels hang in the air.

## Precautions for Battery Use

1. Transmitter uses 4x1.5V "AA" batteries.
2. Please pay attention to correct polarity when replacing batteries.
3. Rechargeable batteries should be charged under adult supervision.
4. Do not mix old and new batteries. Do not mix alkaline, standard (carbon-zinc), or rechargeable batteries.
5. After the battery is exhausted, the model should be removed.
6. Exhaust battery should be safety dispose!
7. DO NOT short circuit any terminals.
8. DO NOT attempt to recharge non rechargeable batteries.
9. Remove batteries from the model when charging.
10. DO NOT put batteries into a fire or into water.
11. The rated input voltage battery charger MUST be suitable for your mains power voltage.
12. During charging it is quite normal for the charger and batteries to heat up.
13. Do not swallow battery!
14. Store only in cool, dry and dark places and should be keep out of the children!
15. When the battery leaks the liquid and let it into you eyes, please right away rinse them and consult an ophthalmologist.

## Safety Precautions

- It is a radio control model, not a toy!
- In order to enjoy running the car, you need to finish assembly before operation. Do routine maintenance work after operation. Replacement parts and option parts are available separately.
- Improper usage with Alkaline cells or rechargeable batteries may damage the electronics for the car or the radio.

In order to operate the car safely. Be sure that you have observed the following points:



Please follow the points as below in order to prevent accident from happening to the car and people.



- Be sure to read thoroughly the manual before you begin. Fresh user should seek advice from people having rich experience in order to assemble the model correctly.



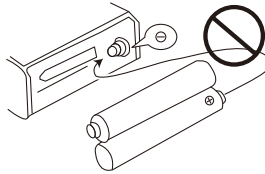
- Cutters, nippers and screwdrivers need careful handling.



- As the product contains small and sharp parts, assemble and store this product only in places out of the reach of children.



- Do not expose this model to high temperature, humidity or direct sunlight.



- Never reverse connection/ disassemble the battery. This may lead to damage and leakage.

- When the model is not in use, always turn off the receiver and transmitter. Further more, disconnect the batteries and remove them from the model and the transmitter. This may be dangerous such as overheat and leakage.

## Operating Your Model Safely

⚠ Do NOT operate the model in the following places and situations.  
(Non-observance may lead to accident!)

- Operate your model in spacious and safe areas! Do not operate it:
  1. On road!
  2. In places where children and many people gather.
  3. In residential districts and parks!
  4. Do not operate the model on public roads, in crowded places and near infant as it may cause accidents.
  5. Indoors and in limited space! Non-observance may result in personal injury and property damage!
- The car must stop immediately and check for the reasons when it is operating abnormal. As long as the problem is not cleared, do NOT operate it! This may lead to further trouble and unforeseen accidents!
- Always check the radio batteries!  
With weak dry batteries, transmission and reception of the radio would fall off. You may lose control of your model in such condition. This may also cause serious accidents!
- Keep in mind that people around you may also operate a radio control model!  
NEVER share the same frequency with somebody else at the same time! Otherwise, Radio signals will be mixed up and you will lose control to your model. This may lead to accidents.
- Do NOT put fingers or any objects inside rotating and moving parts!
- Right after use, do NOT touch the motor! Danger of burning yourself!

# FCC PART 15 B Notice: CAUTION

Warning: Changes or modifications to this unit not expressly approved by the party responsible for compliance could void the user's authority to operate the equipment.

NOTE: This equipment has been tested and found to comply with the limits for a Class B digital device, pursuant to Part 15 of the FCC Rules. These limits are designed to provide reasonable protection against harmful interference in a residential installation. This equipment generates, uses and can radiate radio frequency energy and, if not installed and used in accordance with the instructions, may cause harmful interference to radio communications.

However, there is no guarantee that interference will not occur in a particular installation. If this equipment does cause harmful interference to radio or television reception, which can be determined by turning the equipment off and on, the user is encouraged to try to correct the interference by one or more of the following measures:

- Reorient or relocate the receiving antenna.
- Increase the separation between the equipment and receiver.
- Connect the equipment into an outlet on a circuit different from that to which the receiver is connected.
- Consult the dealer or an experienced radio/TV technician for help.

This device complies with Part 15 of the FCC Rules. Operation is subject to the following two conditions:

- (1) this device may not cause harmful interference, and
- (2) this device must accept any interference received, including interference that may cause undesired operation.



# 电池使用注意事项

1. 遥控器使用4节1.5V“AA”号电池；
2. 安装或更换电池时请注意极性；
3. 充电电池只能在成人监护下充电；
4. 不可混用新旧或不同型号的电池；
5. 电池电量用尽后，应从模型内取出；
6. 将耗尽电量的电池交给专门的环保部门处理！
7. 接线端不应短路；
8. 非充电电池不可充电；
9. 充电电池充电前应从模型中取出；
10. 请不要将坏的电池、电池组分解或扔到火中、水里，以免发生意外；
11. 充电器的额定输入电压必须与当地的家用电压相符；
12. 在充电过程中，充电器和电池出现微温，属于正常现象；
13. 不可吞咽电池！
14. 将电池放在凉爽、干燥避光及小孩接触不到的地方！
15. 电池漏液而且滴到眼睛里，请马上用大量的清水清洗，然后到附近的医院就医。
16. 遥控车供电电压（DC6-16.8V）输入，支持2-4S锂电池（7.4V-14.8V）供电。

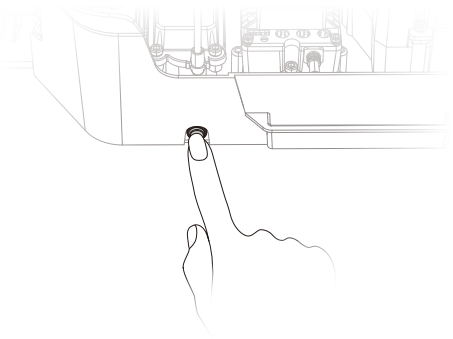
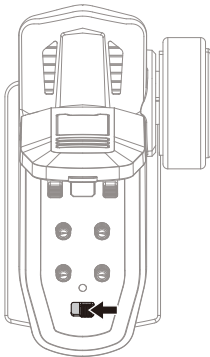
# 安全注意事项

1. 干电池或充电电池的不适当使用，会损害车或无线电的系统。
2. 模型只能使用推荐的充电器，充电器不是模型，可用液体清洗的模型清洁前应与充电器断开，定期检查充电器的电线、插头、外壳和其他部件是否损坏，发现损坏时应停止使用，直至修复完好。
3. 说明书含有重要信息，请予以保留。

# Power Switch 开关

1. Turn on the power switch of the transmitter, the signal indicator light of transmitter flashes.
2. Press the power button of high speed car, which is on the side of the ESC; the indicator light of high speed car flashes.
3. When the indicator light stays on, the high speed car can be operated to play.

1. 打开遥控器电源开关，遥控器信号指示灯闪烁。
2. 按下高速车电调侧面的电源开关按钮，高速车指示灯闪烁。
3. 当指示灯变为常亮后，便可操控高速车。

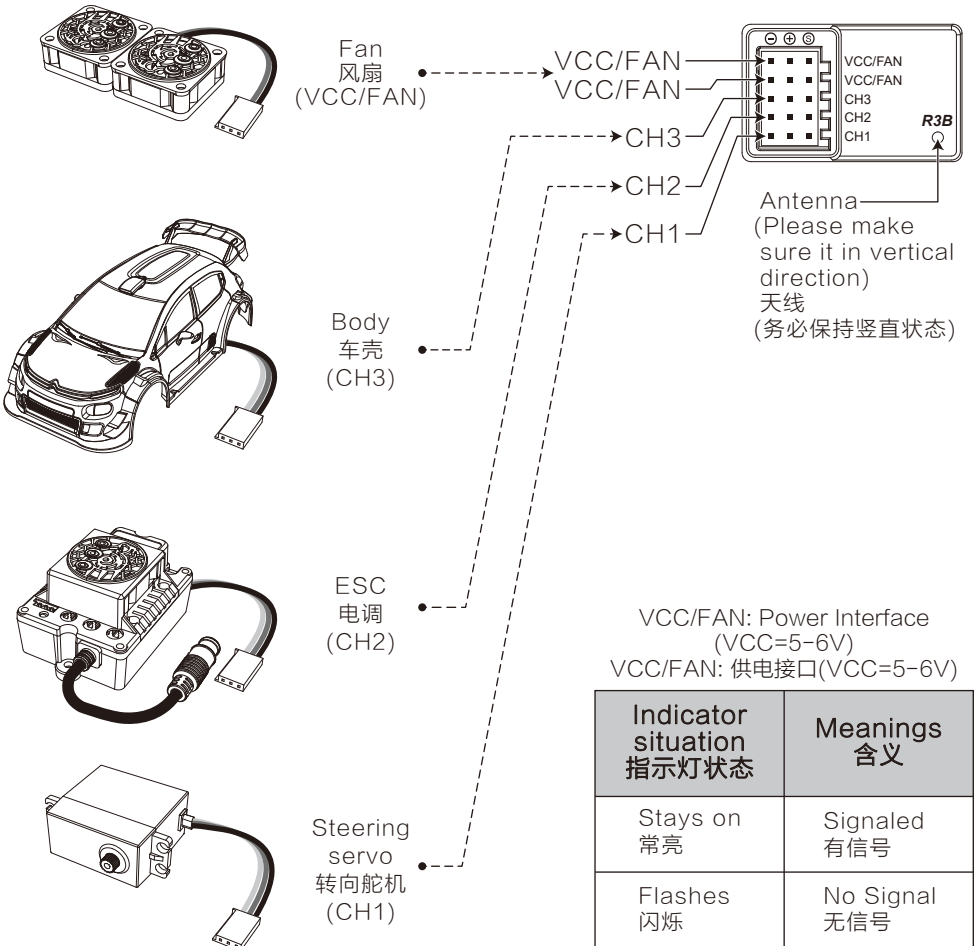




- When turn on the transmitter, please DO NOT touch the throttle and steering. After turn on the transmitter's power, please operate after the indicator light of transmitter staying on.
- Please comply the principle of "turn on the transmitter firstly, then turn on the high speed car".
- In the frequency matching, please make sure there is only one pair of transmitter and high speed car in matching at the same time, otherwise the frequency will match wrongly.

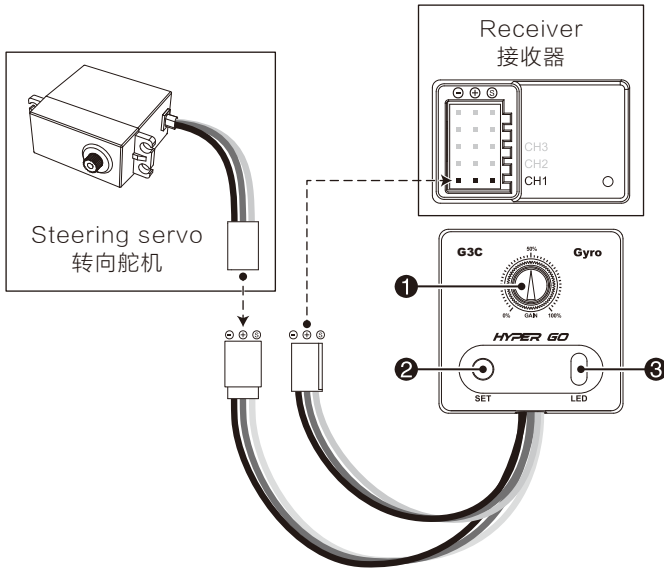
- 当准备开启遥控器时，请勿触动油门和转向。打开遥控器开关，遥控器指示灯点亮后才能进行操作。
- 开机时应遵循“先开启遥控器，再开启高速车”的原则。
- 在同一时刻，请确保对码的遥控器和高速车只有一对，否则会对错遥控器。

## R3B Receiver 接收器



Warning: Please make sure the connection is correct.  
警告：请注意连接是否正确。

# G3C Gyro 陀螺仪



## ① GAIN


Spin the knob from the left to right, the gyro intervention gains value 0-100%.  
旋钮从左到右调整陀螺仪介入增益值0-100%。

## ② SET 设置

### 1. Reverse/Normal Switching 正反向切换


When the power on, long press the 【SET】 3 seconds, the LED from red to green or from the green to red, it means the switch is successful. (Red LED is on for Normal, Green LED is for Reverse)

通电状态下，长按3秒【SET】，LED颜色由红色变为绿色，或者由绿色变为红色，则代表已切换成功。(LED红色常亮为反向，LED绿色为正向。)

 The default direction of servo is Reverse. If not modified, please keep the green constant LED light as normal state.

车辆标配的舵机方向为反向。如未做改装，请保持LED正常状态为绿色常亮。

### 2. EPA (End point adjustment) 行程调节

 Before setting, please make sure the gyro direction is the same as the direction of vehicle steering.

设置前请先确定陀螺仪方向与车辆转向的方向相同。

- Before power on, press and hold 【SET】 , then turn on the vehicle power (please release 【SET】 ASAP after turning on the power, if more than 5 seconds, it will restore the factory setting), LED red flashing, it enters into the EPA setting.
- Rotate the remote control rudder, turn the rudder to the desired position (to the left or right), keep the current state, short press 【SET】 then the green LED flashing, it completes the single-side EPA setting.

c. Rotate the remote control direction rudder to turn the servo to the desired position in another direction and keep the current state, short press 【SET】 and the red and green LEDs will flash (about 2 seconds). When the LEDs will be on, the EPA setting is finished.

\*Restore factory setting: Before power on, press the 【SET】 , then hold for 5 seconds after power on, the red LED and green LED will flash at the same time, then return to default setting (default 1100us-1900us).

a. 通电前，按住【SET】，然后开启车辆电源（开启电源后请松开【SET】，如超过5秒，则会恢复出厂设置），LED红色快闪进入EPA设置。

b. 旋转遥控器方向舵，将舵机转到所需要的位置上（可向左边或右边），保持当前状态，短按“SET”后绿色LED快闪，完成单侧EPA设置。

c. 旋转遥控器方向舵使舵机转到另一个方向所需要的位置并保持当前状态，短按“SET”后红色与绿色LED快闪（约2秒）。LED变为常亮状态，EPA设置完成。

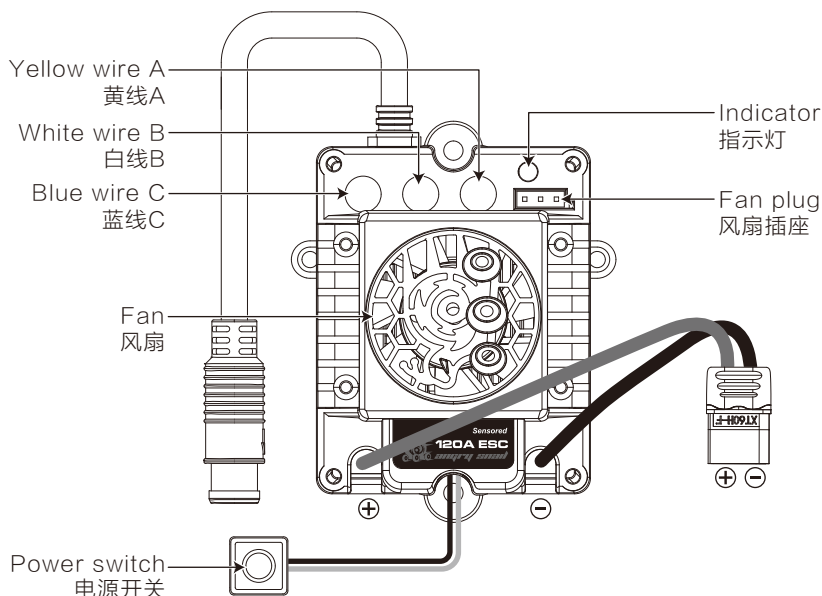
\*恢复出厂设置：通电前，按住【SET】通电后持续5秒，红色LED与绿色LED同时快闪后恢复成默认设置（默认1100us-1900us）。

### ③LED status 灯状态

LED	Status 状态
Power on fast flashing 开机快闪	Gyro initialization (time about 2 seconds). 陀螺仪初始化（时间约为2秒）
Slow flashing 慢闪	No Transmitter signal. 无遥控信号
Red on 红色常亮	Working, gyro direction is Reverse. 正常工作中，陀螺仪方向为反向
Green on 绿色常亮	Working, gyro direction is Normal. 正常工作中，陀螺仪方向为正向
Fast Flashing 快闪	In EPA Setting. EPA行程设置状态

# E120SDH ESC 电调

⚠ Please Do Not forcible/reversely insert all sockets.  
所有插座请勿强行反插。



Indicator light situation 指示灯状态	Meanings 含义
Stays on 常亮	Signaled 有信号
Flash quickly 快闪	a. No signal 无信号 b. Pull the trigger 扣动扳机
Flash slowly 慢闪	Low voltage 低电压
Flash twice 闪两下	Over heat protection 过热保护
Off 熄灭	Stuck protection 堵转保护



SNAIL ESC



MJXRC.NET



App Store

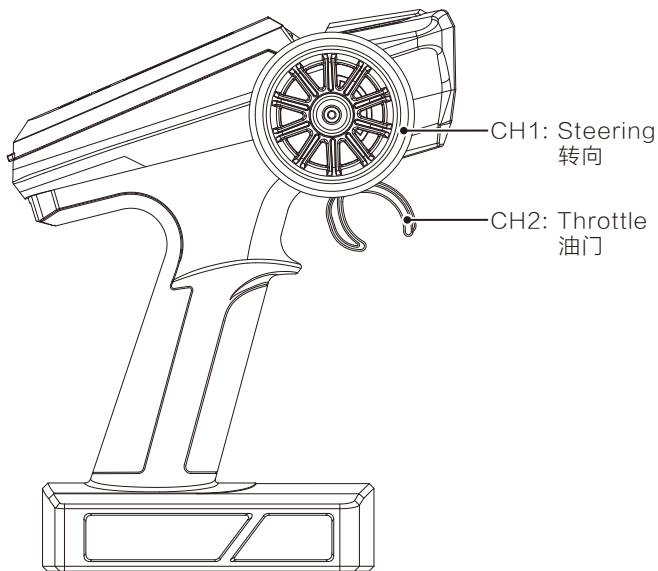
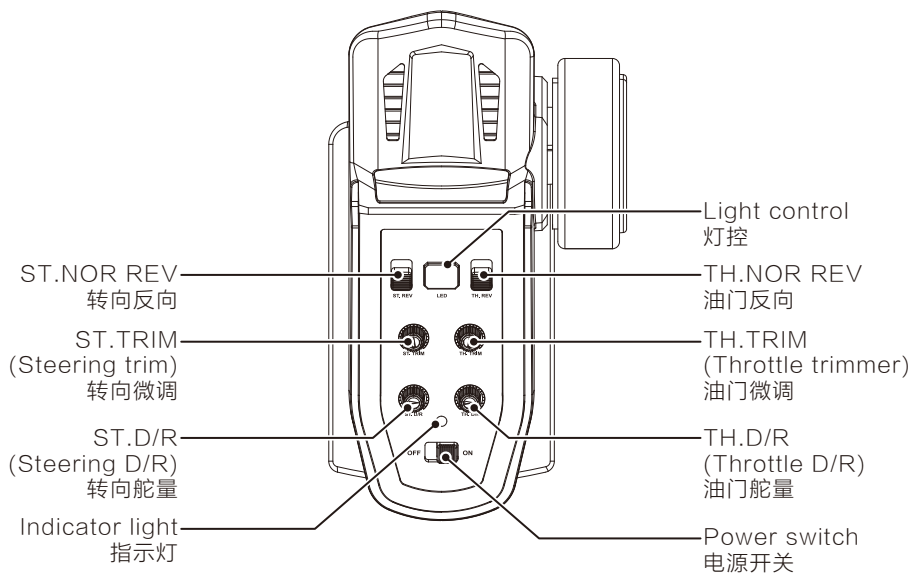


Google play

ESC can be connected by cell phone to read parameters and set up.  
Please scan the QR code to download APP.  
ESC can be connected with APP under power-on condition.

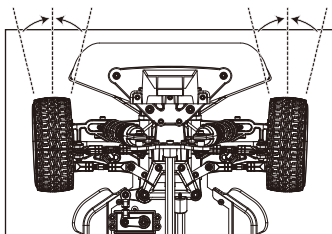
ESC可通过手机连接读取参数并设置。  
请下载APP。电调通电状态下即可与APP连接。

# T3D Transmitter 遥控器



### ①ST.TRIM (Steering servo trimmer 转向舵机微调)

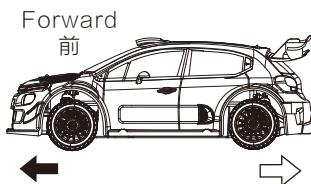
If the car cannot go straightly during driving, it can be adjusted through the ST.TRIM.  
车辆行驶过程中如无法直线行驶，可通过此微调进行调整。



### ②TH.TRIM (Throttle trimmer 油门中位微调)

If the car can't stop when the TH is in the middle place, you can adjust the button to stop the car.

如TH（油门）在中位状态下，车辆无法正常停止，可通过此微调进行调节，使车辆停止。

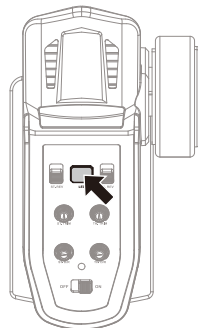


### ③Indicator light 指示灯

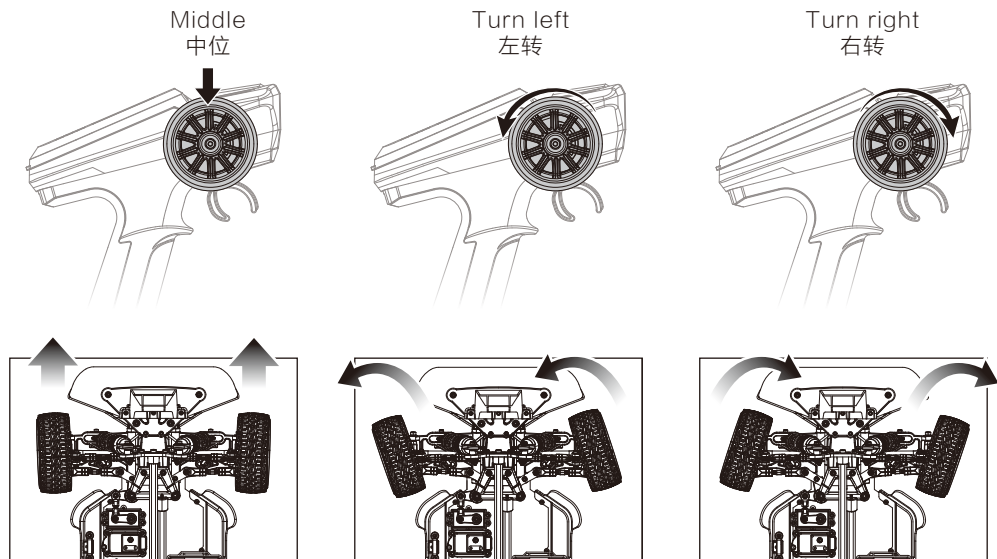
Stays on 常亮	Working well 正常
Flash quickly 快闪	Frequency mating 对码状态
Flash slowly 慢闪	Low battery of transmitter 遥控器电量低

### ④Fn(CH3 Light control) 灯控

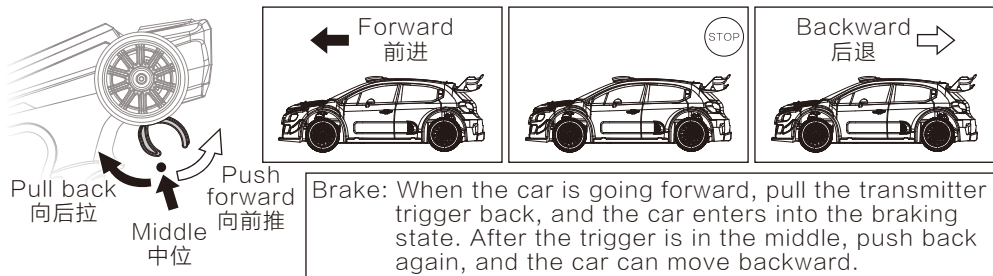
Short Press the “□” button to turn on/off the light of high speed car.  
短按“□”按键时，控制高速车灯光开启或关闭。



## ⑤CH1: ST (Steering 转向)



## ⑥CH2: TH (Throttle 油门)



\*When the car is in reverse situation, it does not the brake function.  
车辆处于后退状态下，无刹车功能。

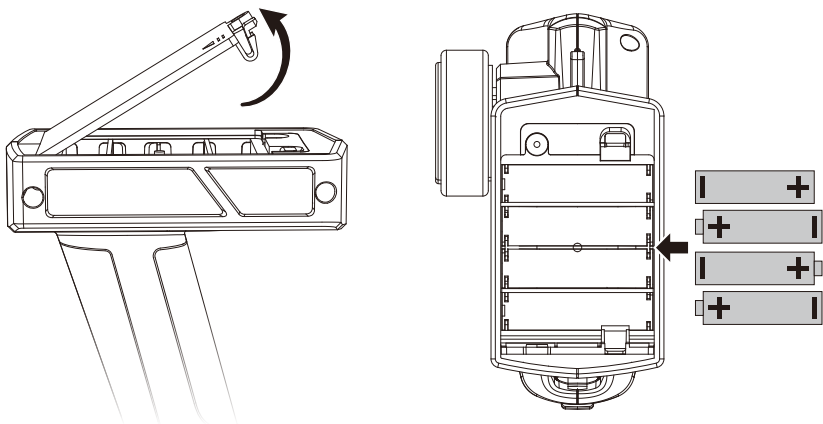


# Install the Transmitter's Battery

## 遥控器安装电池

Open the transmitter's battery cover, insert 4 AA batteries according to the indicated positive and negative direction, close the battery cover.

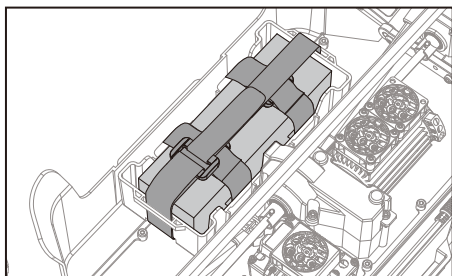
将遥控器电池盖打开，按照遥控器指示的正负极，正确装入4节AA电池，再重新盖上电池盖。



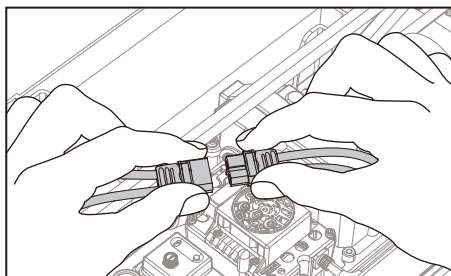
# Install the Battery 安装电池

① Tighten the battery with the fixing tape; 将固定带绑紧电池;

② Connect the receiver plug to the battery. 将接收器插头连接电池。



①

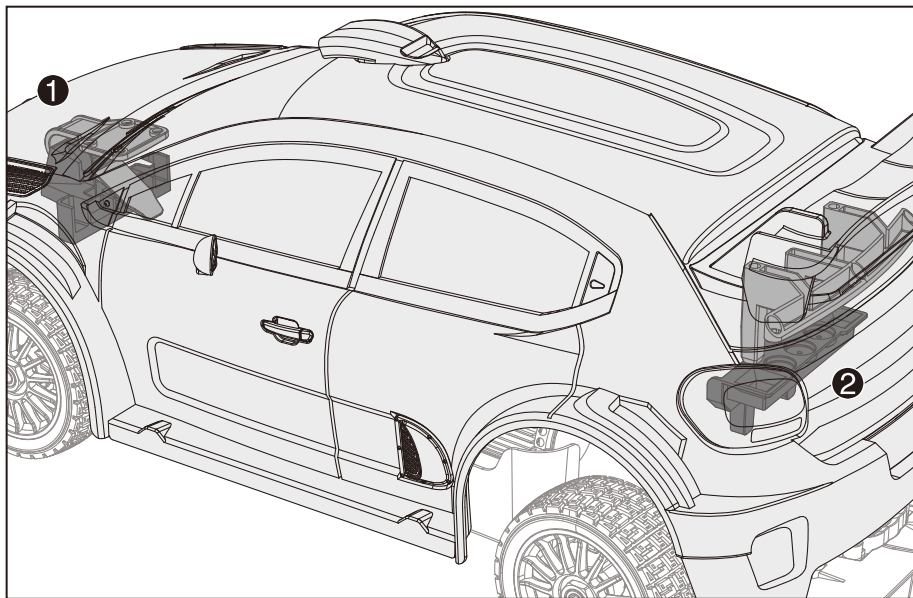


②

# Install Car Shell 安装车壳

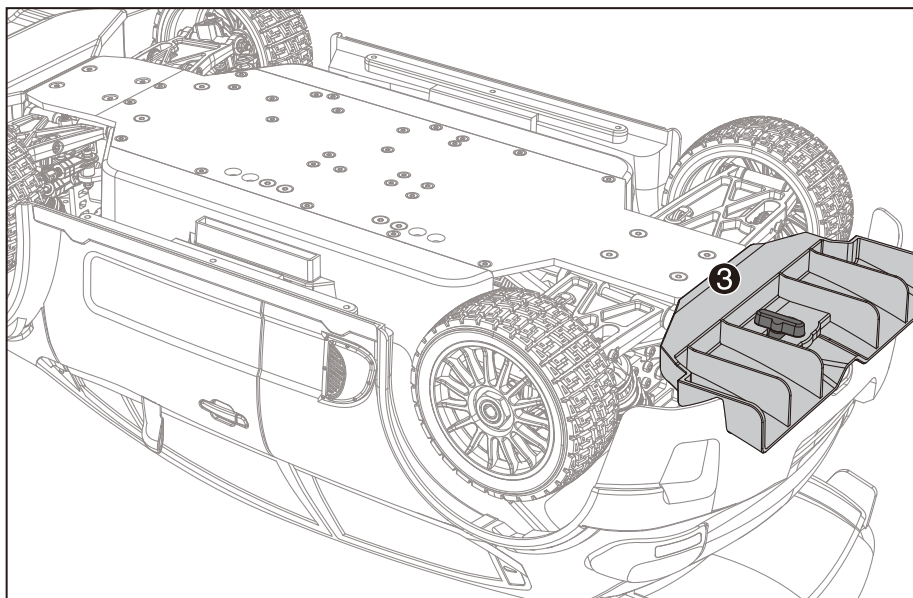
1. Insert the shell into the front seat ①, then press it down vertically onto the magnet ② of the rear shock.

将车壳插入前卡扣座①，然后垂直下压到后减震架磁铁上②。



2. Turn the knob to lock the housing ③.


转动旋钮锁紧车壳③。



## Front Swing Set 前摆臂组件

### Screw 螺丝:

XHHM30200 M3x20mm 1PCS

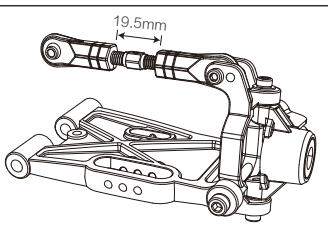
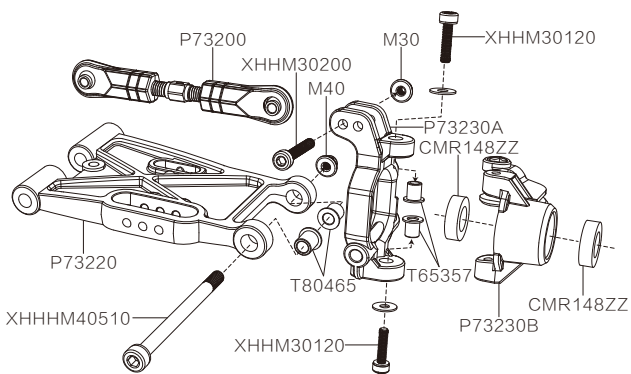
Screws 螺丝-----

XHHM30120 M3x12mm 2PCS

Screws 螺丝-----

XHHHM40510 M4x51mm 1PCS

Screws 螺丝-----



M30 1PCS

Nut 法兰螺母-----

CMR148ZZ 8x14x4 2PCS

Bearing 轴承----- M40 1PCS

Nut 法兰螺母-----

## Rear Swing Set 后摆臂组件

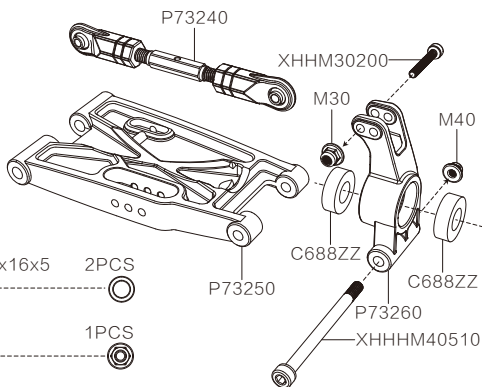
### Screw 螺丝:

XHHM30200 M3x20mm 1PCS

Screws 螺丝-----

XHHHM40510 M4x51mm 1PCS

Screws 螺丝-----



C688ZZ 8x16x5 2PCS

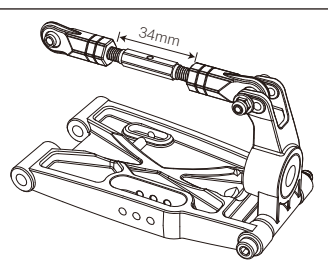
Bearing 轴承-----

M30 1PCS

Nut 法兰螺母-----

M40 1PCS

Nut 法兰螺母-----



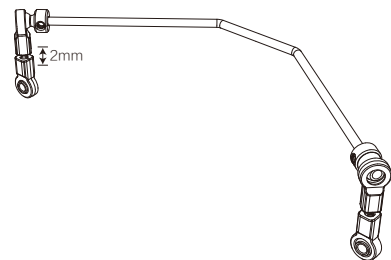
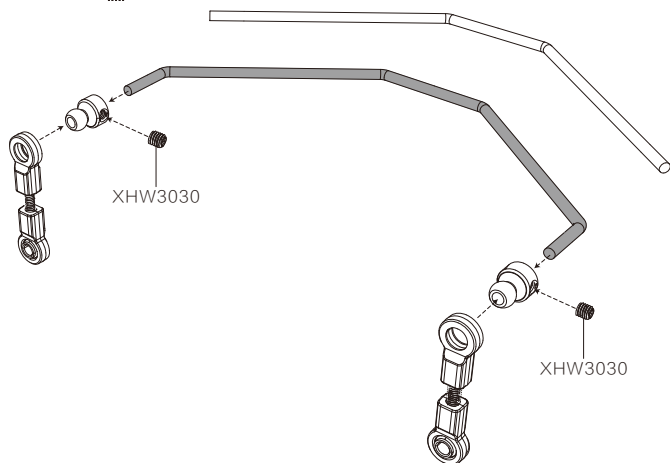
## Front/Rear Sway Bar 前/后防倾杆

Screw 螺丝:

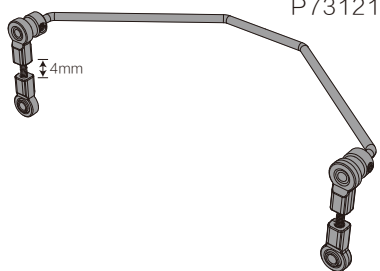
XHW3030 M3x3mm 2PCS(4PCS)

Screws

内六角机丝螺丝



Front 前



Rear 后

P73121

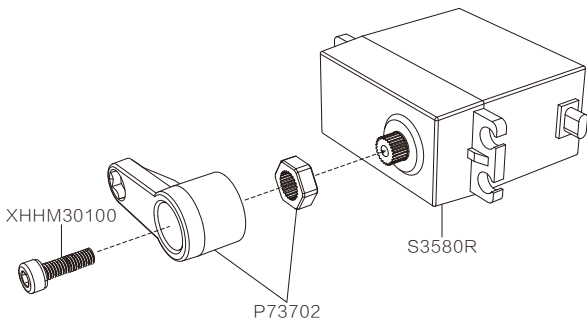
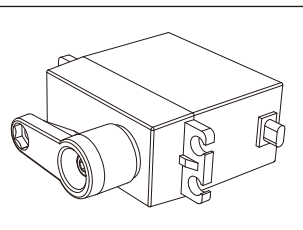
## Servo Assembly 舵机组件

Screw 螺丝:

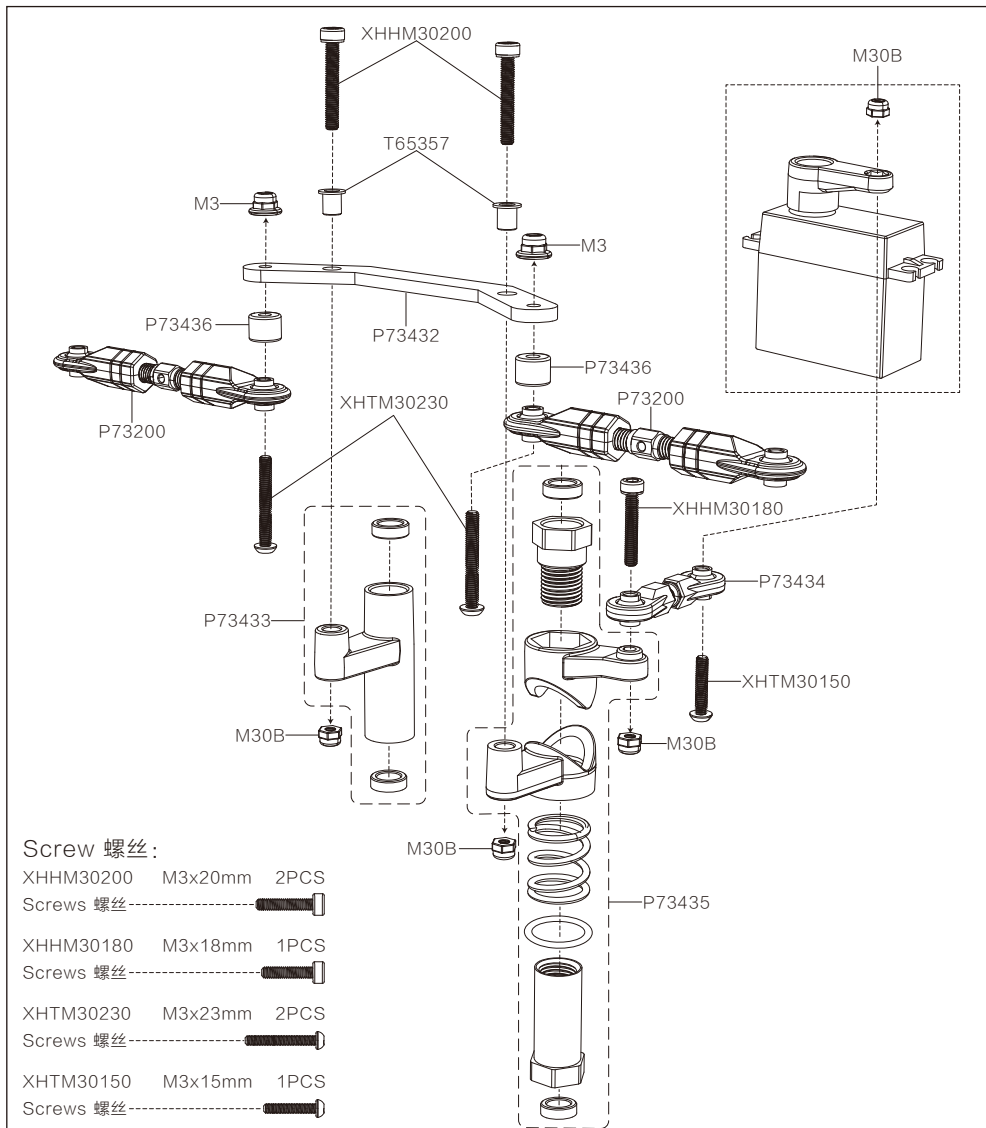
XHHM30100 M3x10mm 1PCS

Screws 螺丝

螺丝



# Steering Assembly 转向传动组件



## Screw 螺丝:

XHHM30200 M3x20mm 2PCS

Screws 螺丝

XHHM30180 M3x18mm 1PCS

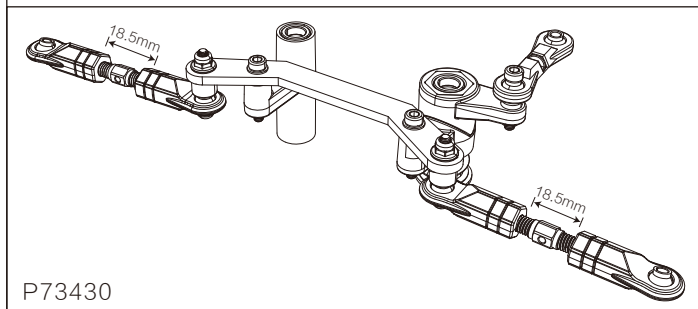
Screws 螺丝

XHTM30230 M3x23mm 2PCS

Screws 螺丝

XHTM30150 M3x15mm 1PCS

Screws 螺丝



P73430

M30B Nut 螺母 4PCS

M3 Nut 螺母 2PCS

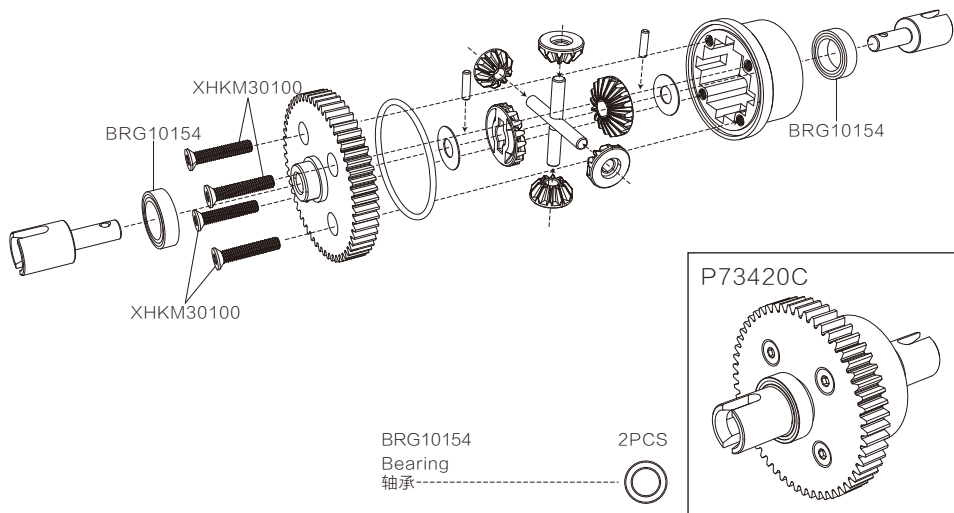
R168Z Bearing 轴承 4PCS

# Center Differential 中央差速器

Screw 螺丝:

XHKM30100 M3x10mm 4PCS

Screws 螺丝



# Front/Rear Differential 前/后差速器

XHKM30100

Screw 螺丝:

XHKM30100 M3x10mm 4PCS

Screws 螺丝



BRG10154

Bearing 轴承

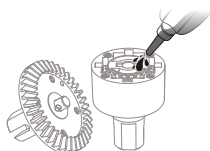
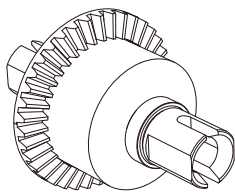
2PCS



BRG10154

P73420F/P73420R

P73420F 前差速器:  
1000000cs 1 million CS 硅油  
P73420R 后差速器:  
50000cs 50 thousand CS 硅油



BRG10154

## Front/Rear Gearbox 前/后齿轮箱

Screw 螺丝:

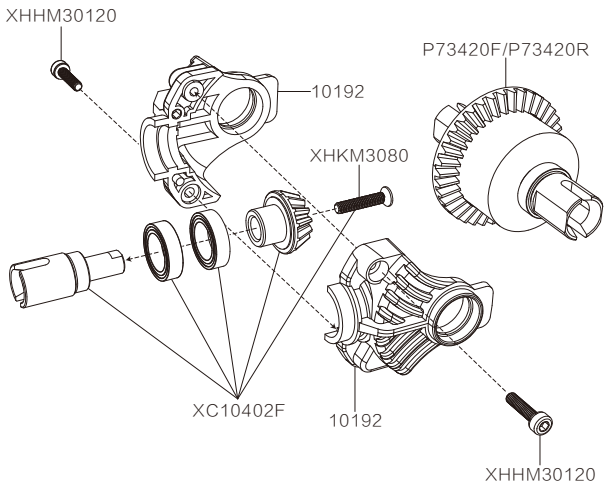
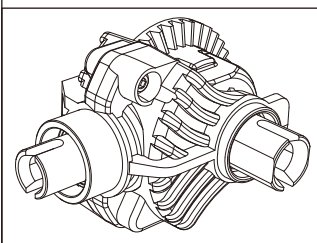
XHHM30120 M3x12mm 2PCS

Screws 螺丝

XHKM3080 M3x8mm 1PCS

Screws 螺丝

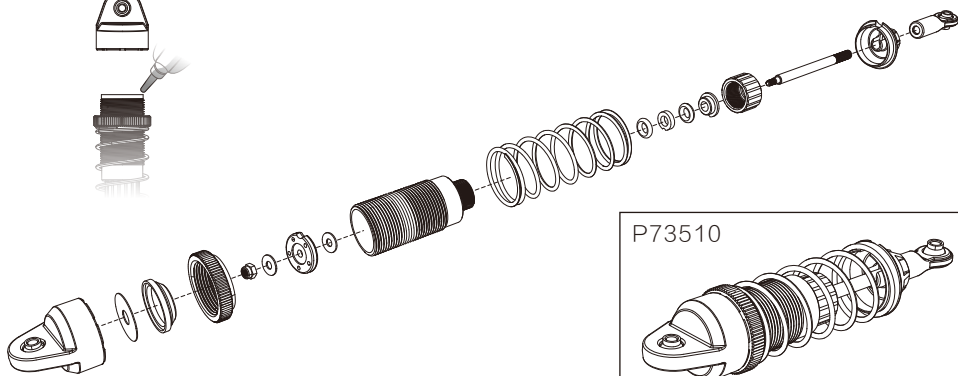
XHHM30120



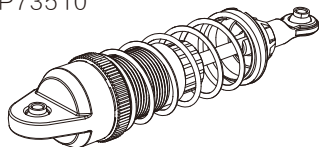
## Oil Filled Shock 油压避震

500cs Silicone Oil

硅油



P73510



# Motor Assembly 电机组件

## Screw 螺丝:

XHTM30180 M3x18mm 6PCS

Screws 螺丝



XHHM3080 M3x8mm 2PCS

Screws 螺丝



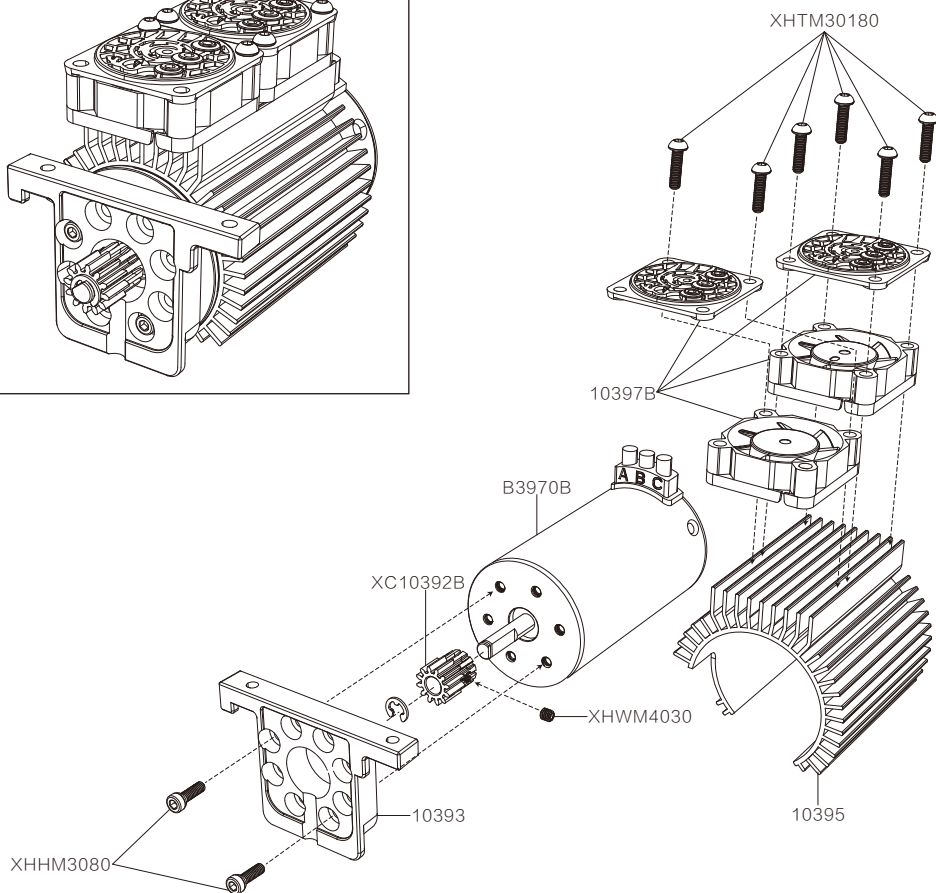
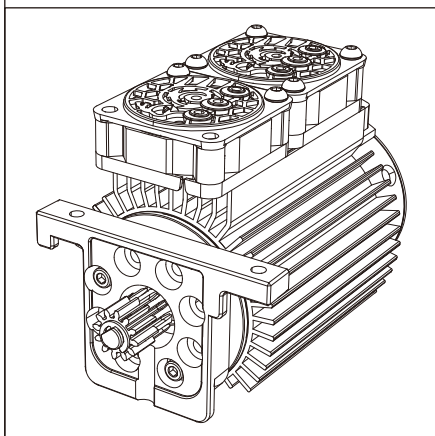
XHWM4030 M4x3mm 1PCS

Screws

内六角机丝螺丝



When using a 4S (14.8V) battery to drive the car, make sure that both fans are connected to the receiver and operating properly. 当使用4S(14.8V)电池驱动车辆时候, 请务必保证2个风扇均已连接接收机, 并能正常运行。





## Front Bumper Assembly 前防撞组件

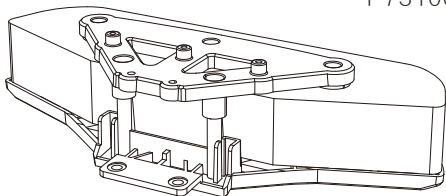
Screw 螺丝:

XHHM30140 M3x14mm 5PCS

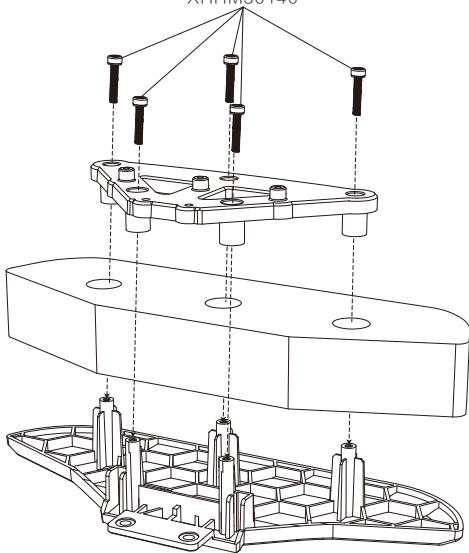
Screws 螺丝



P73100



XHHM30140



## Rear Bumper Assembly 后防撞组件

Screw 螺丝:

XHHM30140 M3x14mm 2PCS

Screws 螺丝

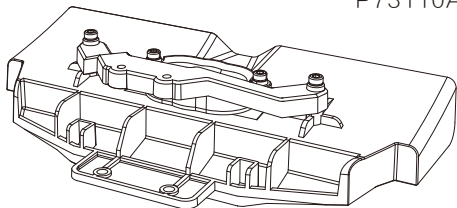


XHHM3080 M3x8mm 2PCS

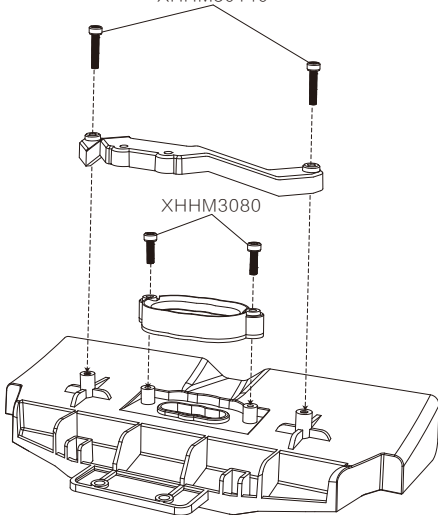
Screws 螺丝



P73110A

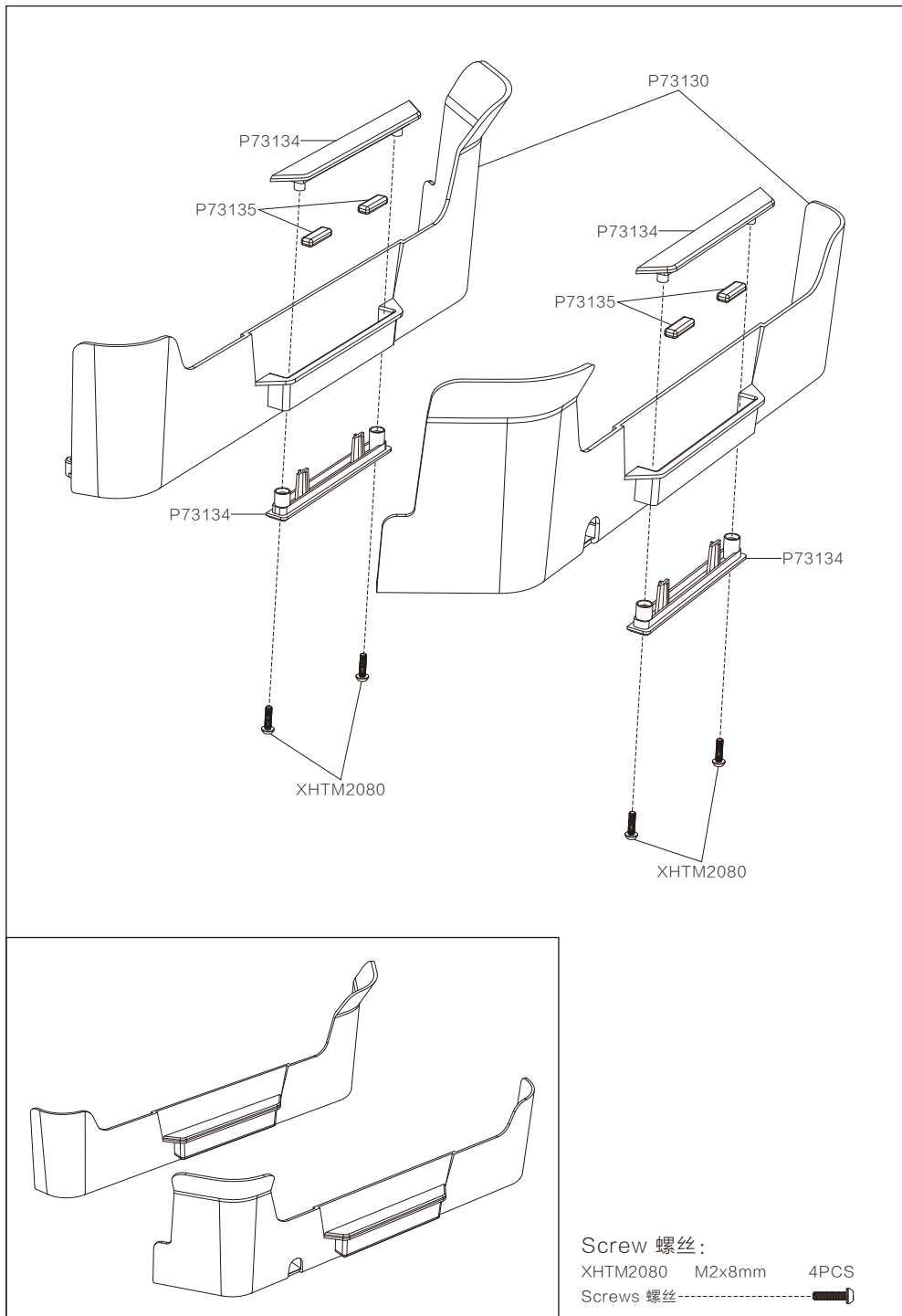


XHHM30140

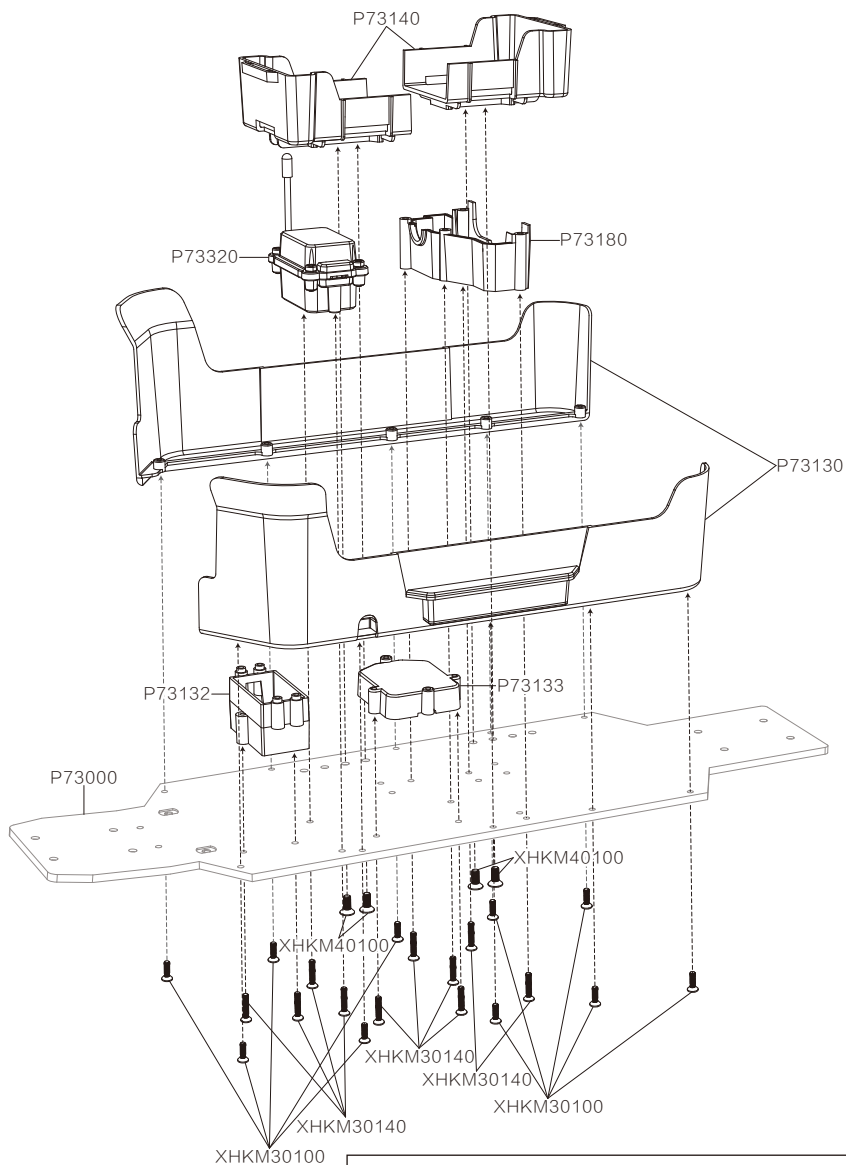


XHHM3080

# Chassis Parts 底盘配件



# High Speed Car Assemble 高速车总装



## Screw 螺丝:

XHKM30140 M3x14mm 10PCS

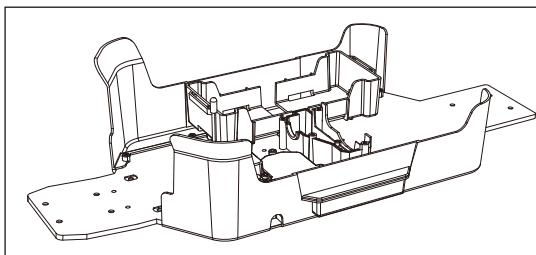
Screws 螺丝 

XHKM30100 M3x10mm 10PCS

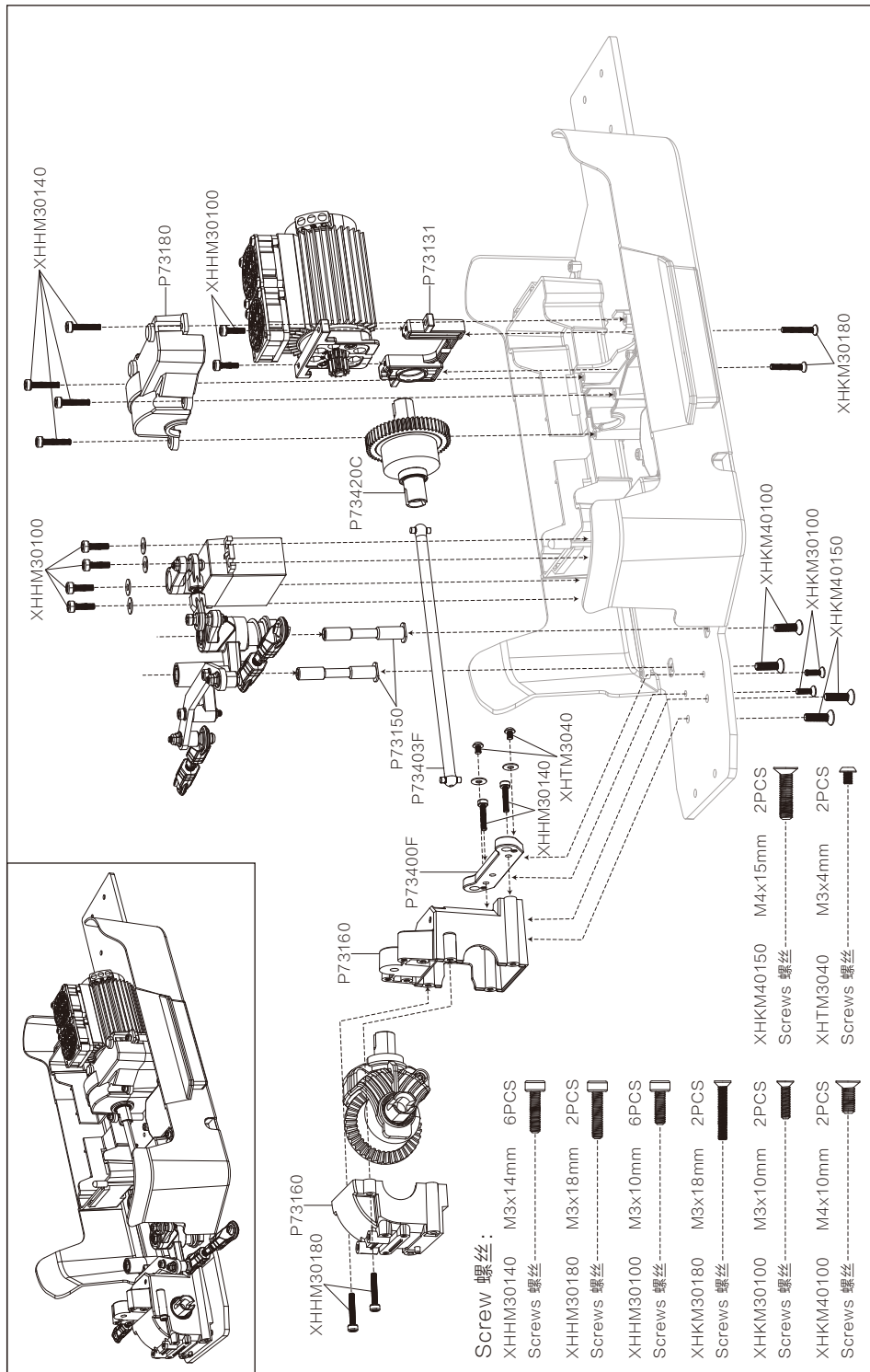
Screws 螺丝 

XHKM40100 M4x10mm 4PCS

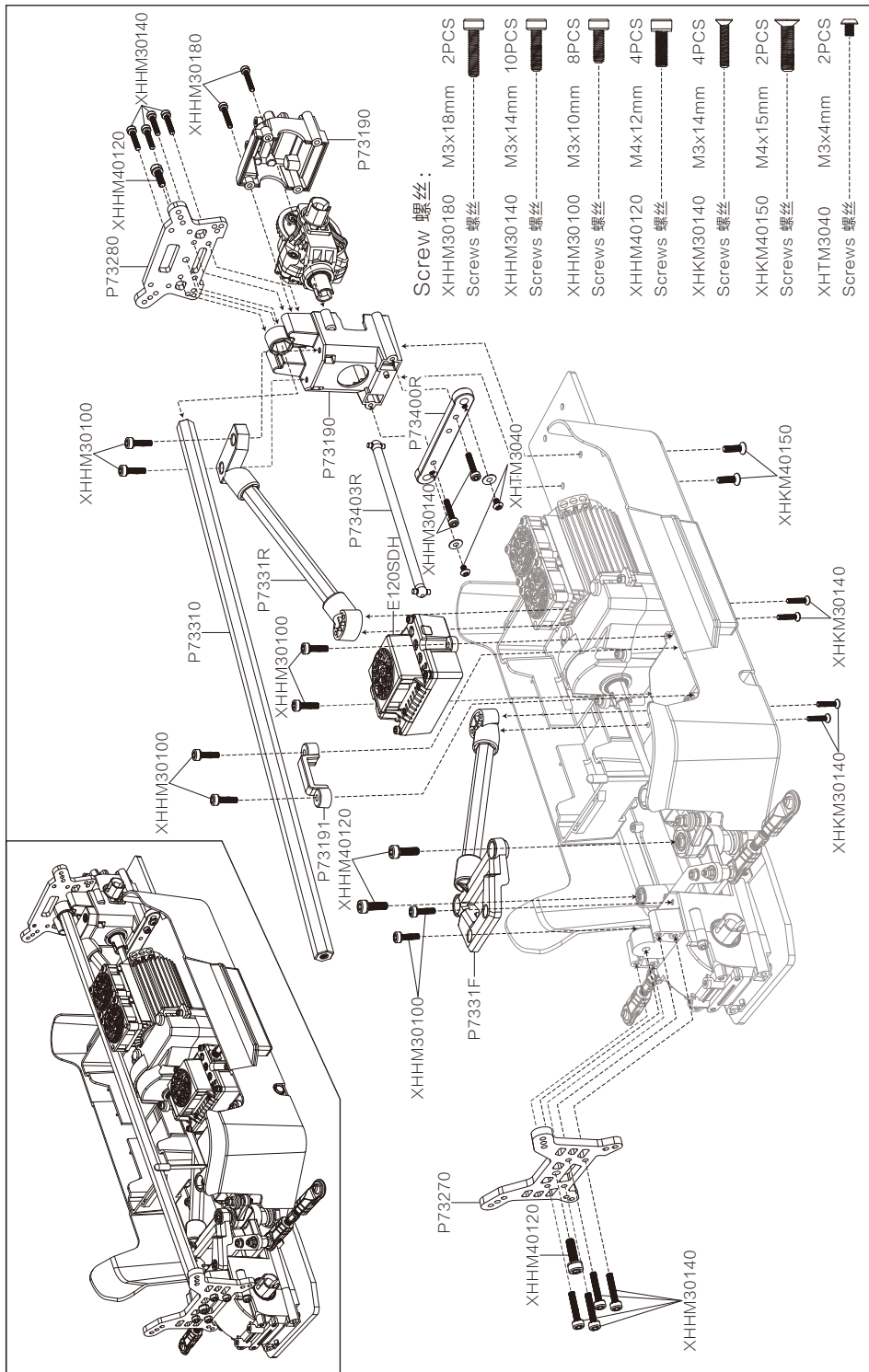
Screws 螺丝 



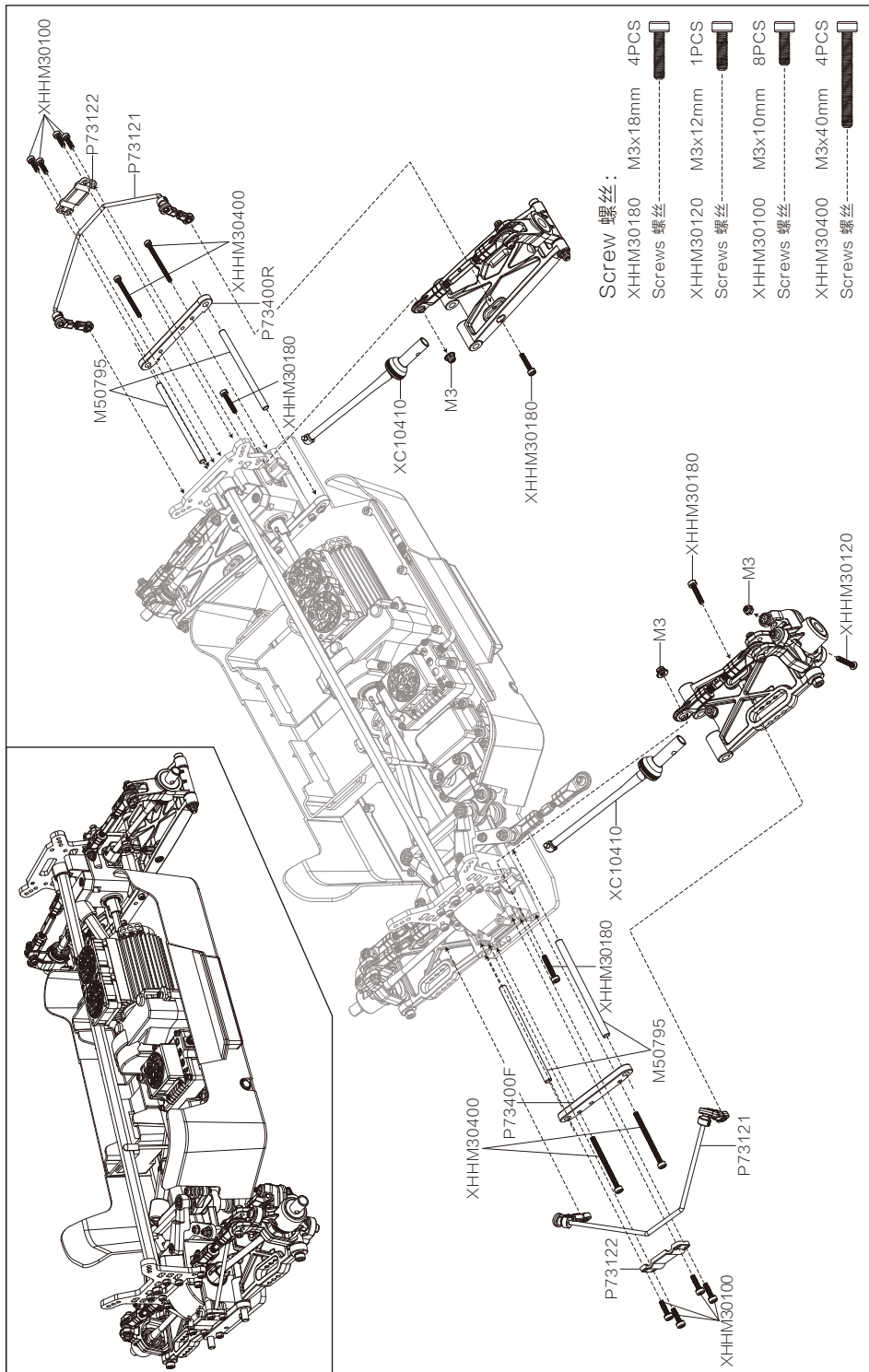
# High Speed Car Assemble 高速车总装



# High Speed Car Assemble 高速车总装



# High Speed Car Assemble 高速车总装



# High Speed Car Assemble 高速车总装

## Screw 螺丝:

XHHM30250 M3x25mm 2PCS

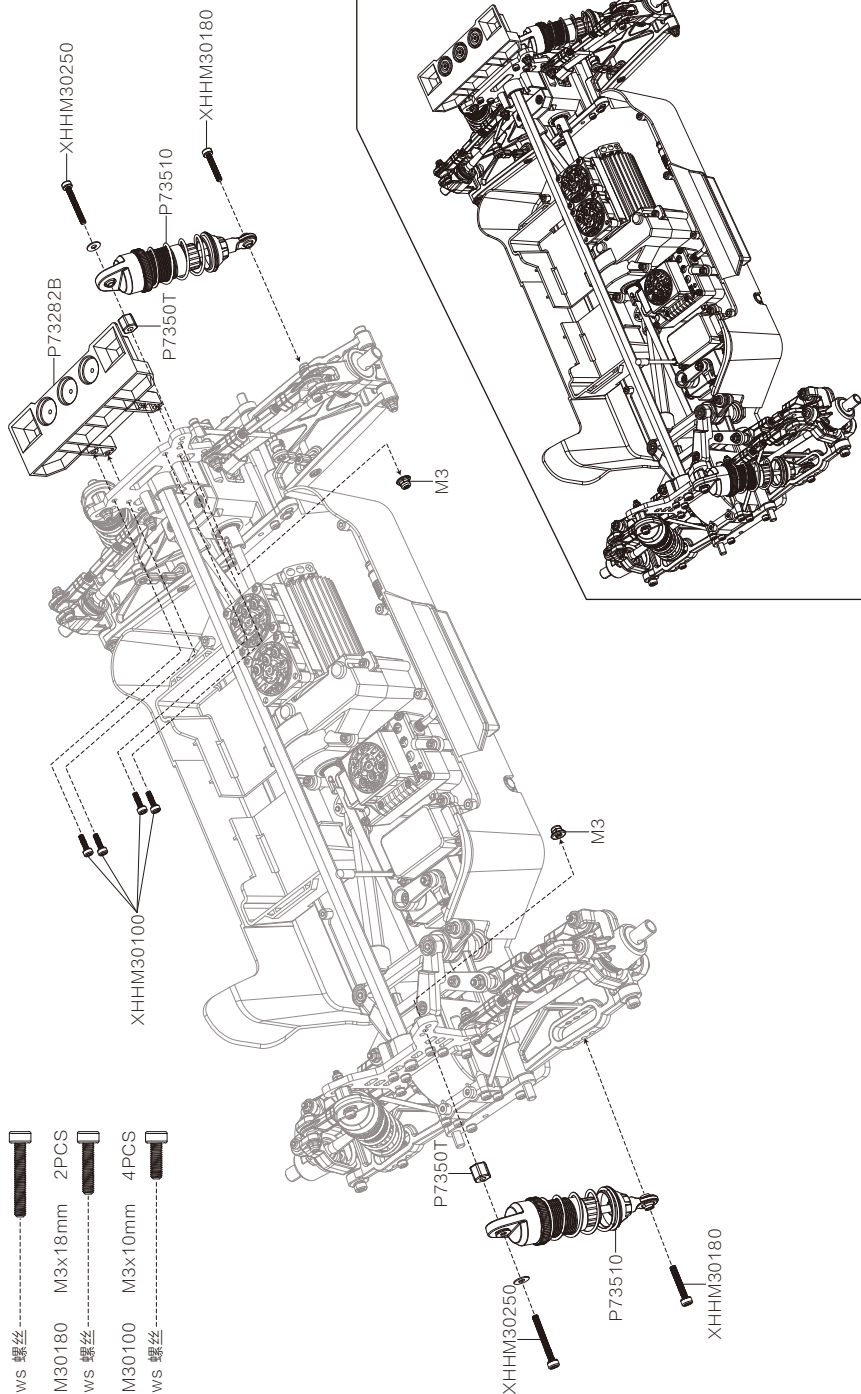
Screws 螺丝

XHHM30180 M3x18mm 2PCS

Screws 螺丝

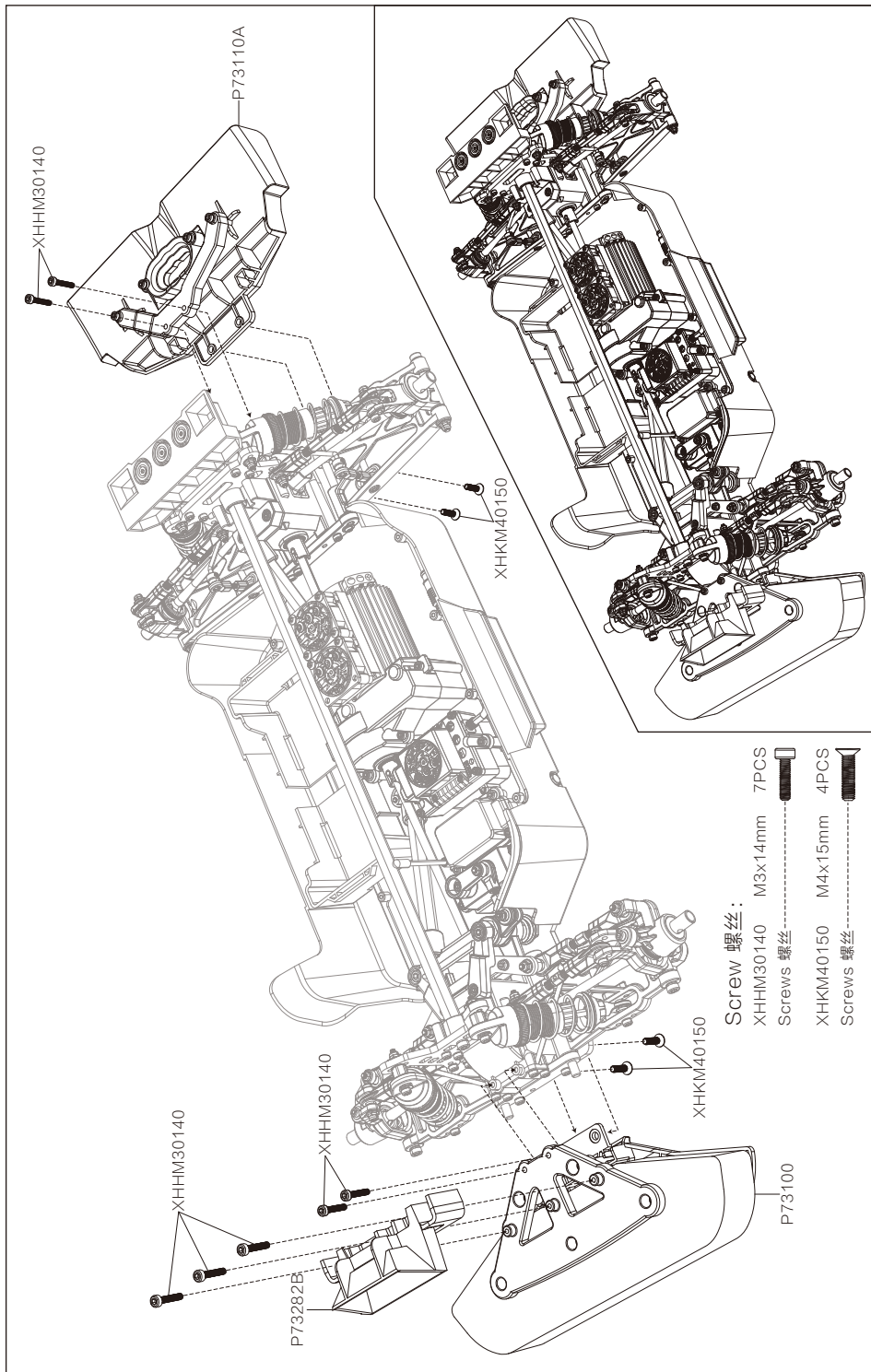
XHHM30100 M3x10mm 4PCS

Screws 螺丝



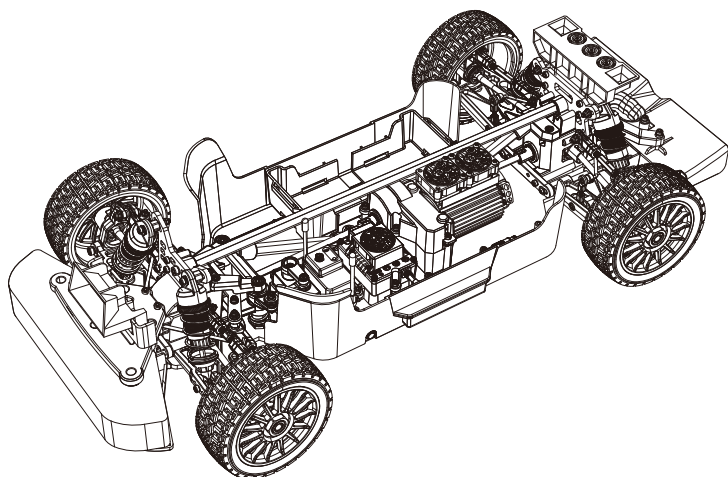
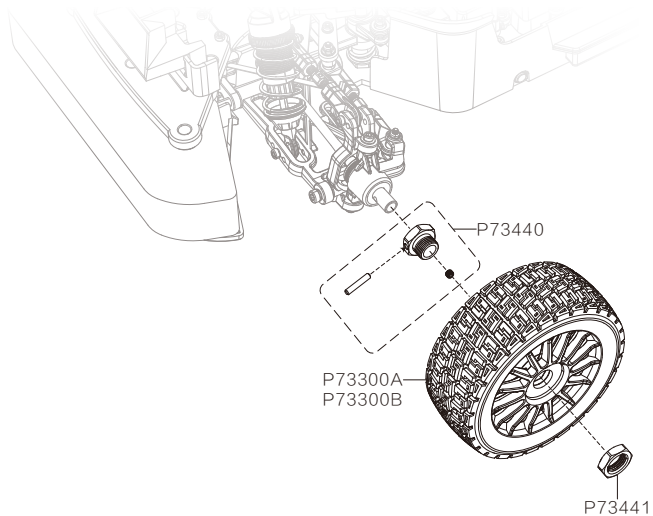


# High Speed Car Assemble 高速车总装

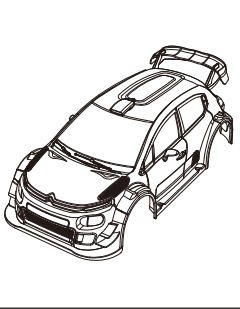
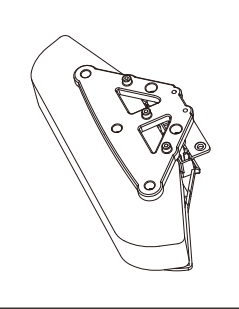
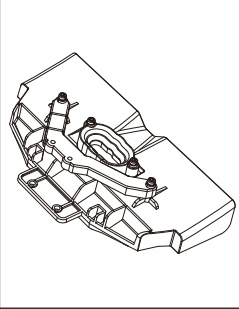
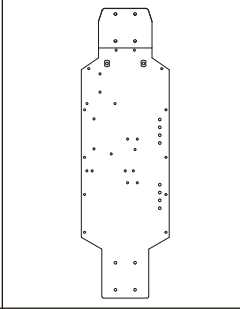
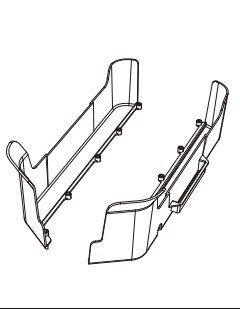
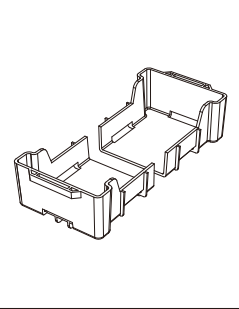
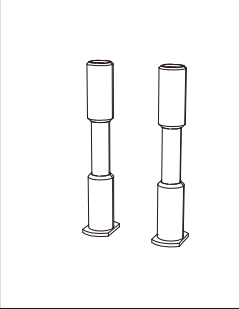
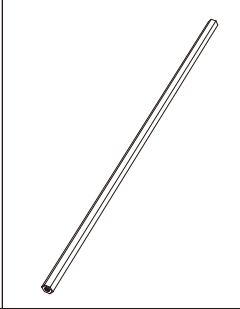
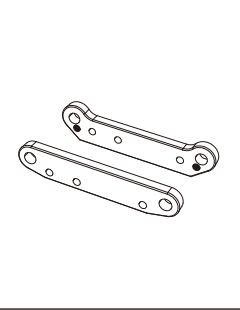
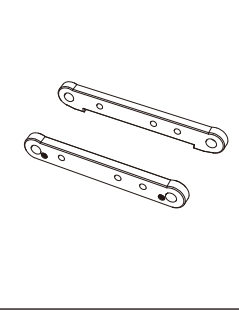
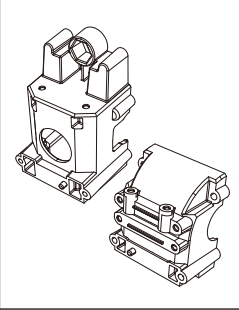
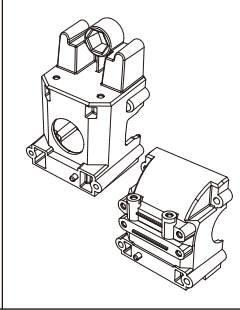




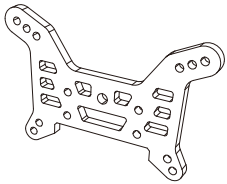
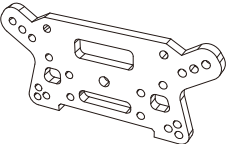
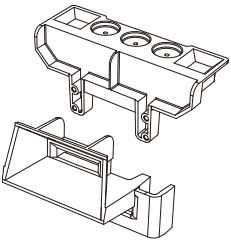
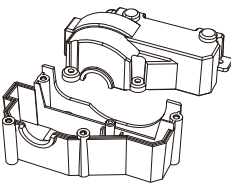
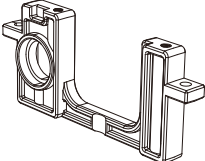
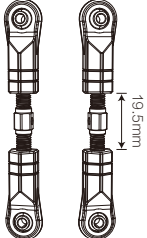
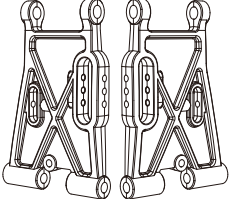
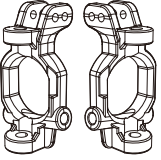
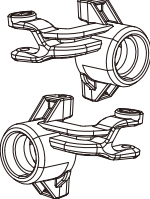
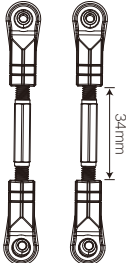
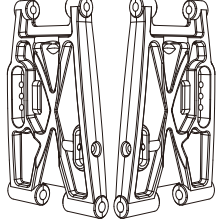
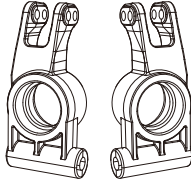
# High Speed Car Assemble 高速车总装



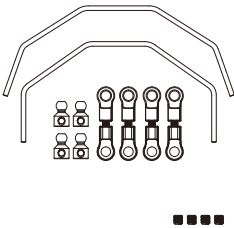
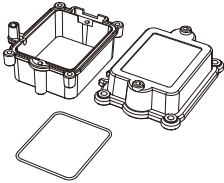
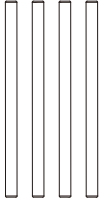
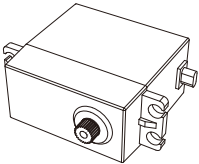
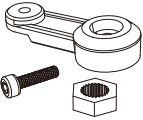
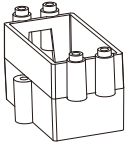
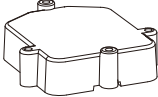
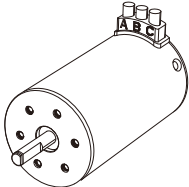
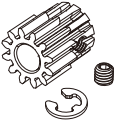
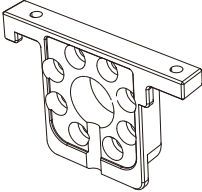
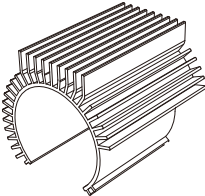
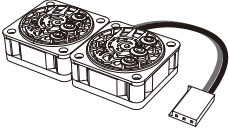

# Spare Parts 配件表

			
P7330A2	P73100	P73110A	P73000
Body 车壳组件	Front Bumper Assembly 前防撞组件	Rear Bumper Assembly 后防撞组件	Chassis 底盘
			
P73130	P73140	P73150	P73310
Chassis Parts 底盘配件	Battery Clip 电池固定卡座	Servo Mount 舵机支架	Center Brace Bar 中支撑杆
			
P73400F	P73400R	P73160	P73190
Front Stiffener 前加强件	Rear Stiffener 后加强件	Front Gearbox Covers 前差速底座	Rear Gearbox Covers 后差速底座

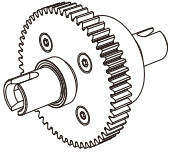
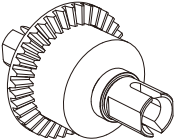
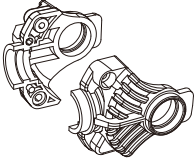
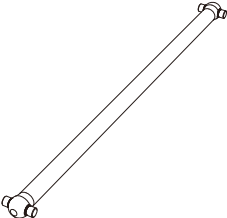
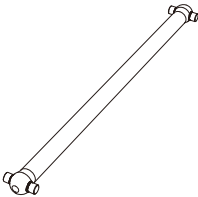
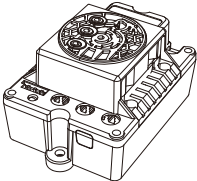

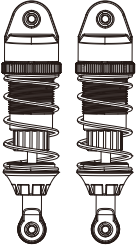
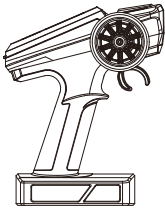
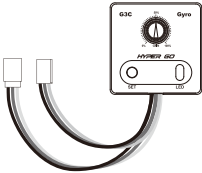
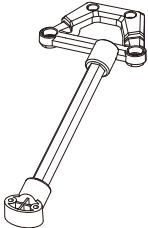
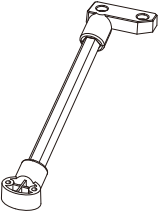
# Spare Parts 配件表

			
P73270	P73280	P73282B	P73180
Front Shock Tower 前避震架	Rear Shock Tower 后避震架	Body Pillars 车壳支架	Gear Box 波箱座
			
P73131	P73200	P73220	P73230A
Motor Shelf 电机安装座	Rod 拉杆	Front Lower Suspension Arms 前下摆臂	Steering Block 转向座
			
P73230B	P73240	P73250	P73260
Steering Block 转向座	Rod 拉杆	Rear Lower Suspension Arms 后下摆臂	Rear Hubs 后固定座

# Spare Parts 配件表

			
<p>P73121</p>	<p>P73320</p>	<p>M50795</p>	<p>S3580R</p>
<p>Front/Rear Sway Bar 前/后防倾杆</p>	<p>Receiver Box 接收盒</p>	<p>F/R Lower Swing Arm Fixed Shaft 下摆臂固定轴</p>	<p>Servo 舵机</p>
			
<p>P73702</p>	<p>P73132</p>	<p>P73133</p>	<p>B3970B</p>
<p>Servo Swingarm 舵机摆臂</p>	<p>Servo Fix Frame 舵机固定架</p>	<p>ESC Fix Frame 电调固定架</p>	<p>Brushless Motor 无刷电机</p>
			 
<p>XC10392B</p>	<p>10393</p>	<p>10395</p>	<p>10397B</p>
<p>Motor Pinions 电机输出齿</p>	<p>Motor Guard 电机固定座</p>	<p>Motor Heatsink 散热片</p>	<p>Motor Fans 电机风扇</p>

# Spare Parts 配件表

			
P73420C	P73420F/P73420R	10192	P73403F
Center Differential 中央差速器	Front/Rear Differential 前/后差速器	Gearbox Housings 差速器外壳	Front Centre Drive Shaft 前主轴
			
P73403R	E120SDH	R3B	P73510
Rear Centre Drive Shaft 后主轴	Brushless ESC 无刷电子调速器	Receiver 接收器	Oil Filled Shock 油压避震
			
T3D	G3C	P7331F	P7331R
Transmitter 遥控器	Gryo 陀螺仪	Front Support Frame 前支撑架	Rear Support Frame 后支撑架

# Spare Parts 配件表

<p>XC10410</p>	<p>P73440</p>	<p>P73300A</p>	<p>P73300B</p>
<p>Metal F/R CVD Shafts (2 Sets) 轮胎转动组件</p>	<p>Wheel Hex 六角套</p>	<p>Wheel Assembly 车轮组件 (2PCS)</p>	<p>Wheel Assembly 车轮组件 (2PCS)</p>
<p>P73441</p>	<p>BD2225</p>	<p>T80465</p>	<p>T65357</p>
<p>Wheel Lock Nut 螺母</p>	<p>Battery Base 电池固定带 (3PCS)</p>	<p>Bushing 轴套 (8PCS)</p>	<p>Bushing 轴套 (8PCS)</p>
<p>PH04</p>	<p>XC10402F</p>	<p>P73134</p>	<p>P73135</p>
<p>Screwdriver Sets 螺丝刀套装</p>	<p>Gear Assembly 伞齿</p>	<p>Accessory 底盘配件</p>	<p>Magnet 磁铁 (4PCS)</p>

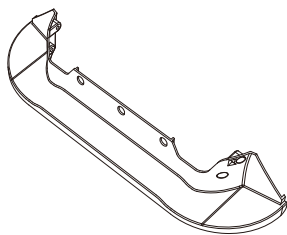
## Screws 螺丝

XHHM3080	∅3x8mm	12PCS
XHHM30100	∅3x10mm	12PCS
XHHM30120	∅3x12mm	12PCS
XHHM30140	∅3x14mm	12PCS
XHHM30180	∅3x18mm	12PCS
XHHM30200	∅3x20mm	12PCS
XHHM30250	∅3x25mm	12PCS
XHHM30400	∅3x40mm	12PCS
XHHM40120	∅4x12mm	12PCS
XHKM3080	∅3x8mm	12PCS
XHKM30100	∅3x10mm	12PCS
XHKM30140	∅3x14mm	12PCS
XHKM30180	∅3x18mm	12PCS
XHKM40100	∅4x10mm	12PCS
XHKM40150	∅4x15mm	12PCS
XHTM3040	∅3x4mm	12PCS
XHTM30150	∅3x15mm	12PCS
XHTM30180	∅3x18mm	12PCS
XHTM30230	∅3x23mm	12PCS
XHTM2080	∅2x8mm	12PCS

## Others 其他

BRG10154	Bearing 轴承	8PCS
R168Z	Bearing 轴承	8PCS
CMR148ZZ	Bearing 轴承	8PCS
C688ZZ	Bearing 轴承	8PCS
M30	∅3mm Nut 螺母	8PCS
M40	∅4mm Nut 螺母	8PCS
NUT30	∅3mm Nut 螺母	12PCS

Applicable to versions above V2.0  
仅适用于V2.0以上版本



P73303

Front Bumper ( On the body )  
前防撞 ( 车壳 )



**MADE IN CHINA**

Instructions must be retained since it contains important information.