

SET-UP SHEET

XRAY XB8E'16

RACE: **Basic Set-Up**

TRACK: _____

NAME: _____

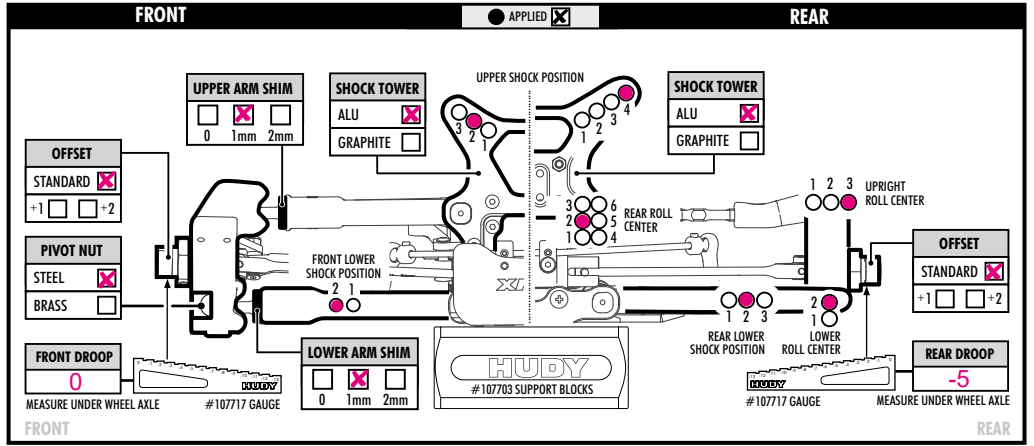
CITY / COUNTRY: _____

CONTACT: _____

DATE: _____

TEMPERATURE AIR: _____ TEMPERATURE TRACK: _____

LAPS	FINAL POSITION	BEST LAP TIME	RACE LENGTH
		/sec	/min



TRACKS

SIZE OPEN MEDIUM TIGHT

TRACTION LOW MEDIUM HIGH

SURFACE SMOOTH MEDIUM BUMPY

TYPE HARD PACKED SOFT DIRT CLAY
 BLUE GROVE ASTRO TURF GRASS

CONDITION DRY DUSTY WET MUD

DIFFERENTIAL

	FRONT	CENTER	REAR
TYPE	Standard	Standard	Standard
OIL	5000	5000	3000

GEARING

CLUTCH BELL	13	/T	46	/T	SPUR GEAR
PINION	14	/T	46	/T	CROWN GEAR
SHOE	Alu		Medium		SPRING

SHOCKS

FRONT	REAR
3 Dots <input checked="" type="checkbox"/>	3 Dots <input checked="" type="checkbox"/>
700 /cSt	500 /cSt
REBOUND %	REBOUND %
PISTONS	PISTONS
<input type="checkbox"/> 6 HOLES	<input type="checkbox"/> 6 HOLES
<input checked="" type="checkbox"/> 8 HOLES	<input checked="" type="checkbox"/> 8 HOLES
<input type="checkbox"/> 10 HOLES	<input type="checkbox"/> 10 HOLES
OTHER PISTONS	OTHER PISTONS

LINEAR SPRINGS PROGRESSIVE

ACKERMANN POSITION 4 3 2 1

ANTI ROLL BAR

FRONT: 2.4 /mm THICKNESS REAR: 2.8 /mm

TIRES

FRONT	REAR
TYPE	TYPE
INSERTS	INSERTS
WHEELS	WHEELS

ENGINE

TYPE: _____

MUFFLER: _____

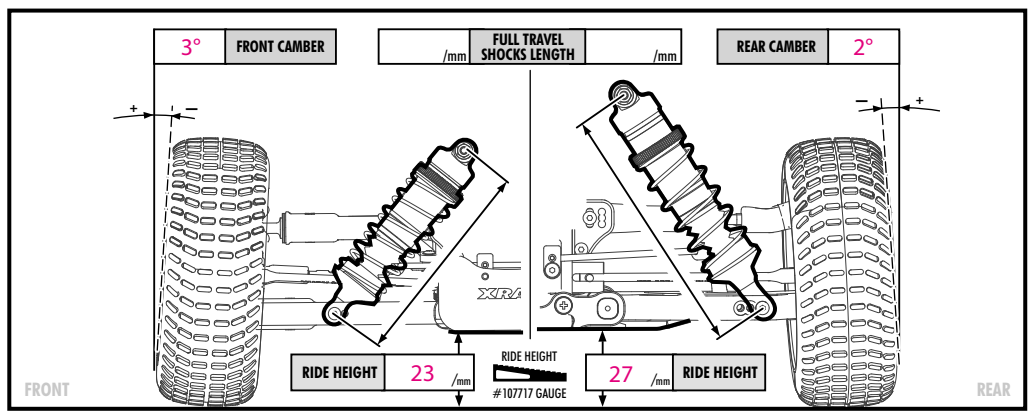
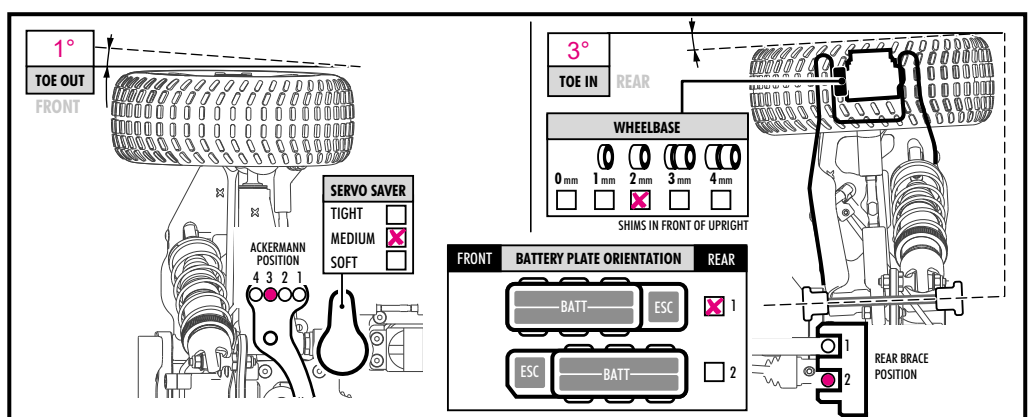
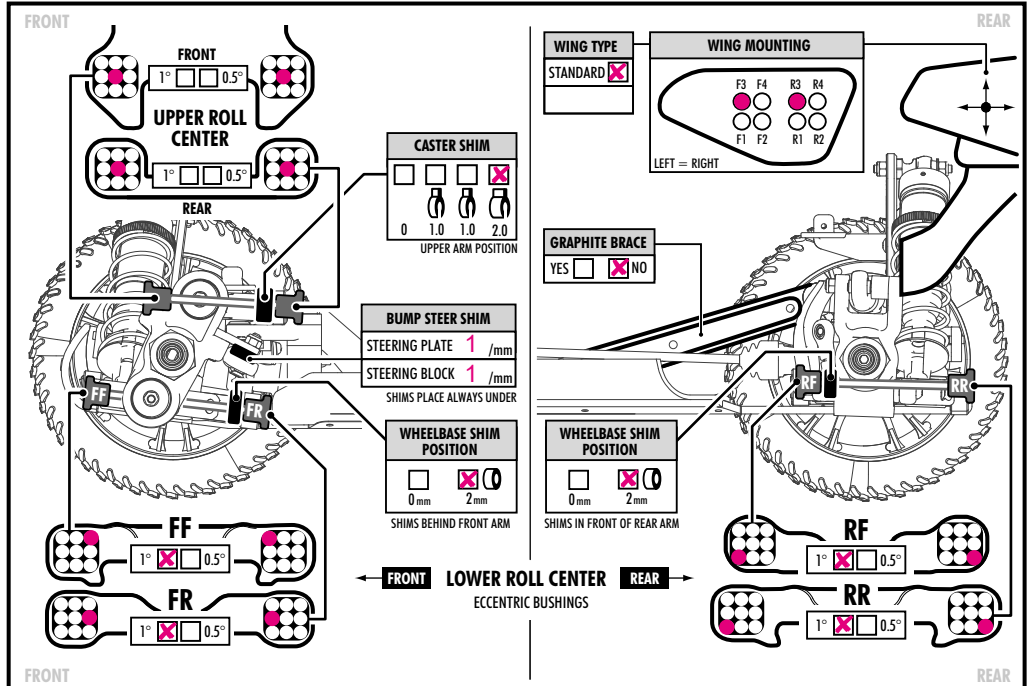
MANIFOLD: _____

PLUG: _____

FUEL: _____

BODY

TYPE: **XRAY XB8'16**



COMMENTS