

SET-UP SHEET

XRAY XB8E'16

RACE

TRACK

NAME

CITY / COUNTRY

CONTACT

DATE

TEMPERATURE AIR TEMPERATURE TRACK

LAPS FINAL POSITION BEST LAP TIME RACE LENGTH

/sec /min

TRACKS

SIZE OPEN MEDIUM TIGHT

TRACTION LOW MEDIUM HIGH

SURFACE SMOOTH MEDIUM BUMPY

TYPE HARD PACKED SOFT DIRT CLAY
 BLUE GROVE ASTRO TURF GRASS

CONDITION DRY DUSTY WET MUD

DIFFERENTIAL

| | FRONT | CENTER | REAR |
|------|----------------------|----------------------|----------------------|
| TYPE | <input type="text"/> | <input type="text"/> | <input type="text"/> |
| OIL | <input type="text"/> | <input type="text"/> | <input type="text"/> |

GEARING

| | | | | | |
|-------------|----------------------|----|----------------------|----|------------|
| CLUTCH BELL | <input type="text"/> | /T | <input type="text"/> | /T | SPUR GEAR |
| PINION | <input type="text"/> | /T | <input type="text"/> | /T | CROWN GEAR |
| SHOE | <input type="text"/> | | <input type="text"/> | | SPRING |

SHOCKS

| FRONT | REAR |
|--|--|
| <input type="checkbox"/> LINEAR <input type="checkbox"/> SPRINGS <input type="checkbox"/> PROGRESSIVE | <input type="checkbox"/> LINEAR <input type="checkbox"/> SPRINGS <input type="checkbox"/> PROGRESSIVE |
| OIL <input type="text"/> /cSt | OIL <input type="text"/> /cSt |
| REBOUND <input type="text"/> /% | REBOUND <input type="text"/> /% |
| PISTONS <input type="checkbox"/> 6 HOLES <input type="checkbox"/> 8 HOLES <input type="checkbox"/> 10 HOLES | PISTONS <input type="checkbox"/> 1.1 mm <input type="checkbox"/> 1.2 mm <input type="checkbox"/> 1.3 mm <input type="checkbox"/> 1.4 mm <input type="checkbox"/> 6 HOLES <input type="checkbox"/> 8 HOLES <input type="checkbox"/> 10 HOLES |
| OTHER PISTONS <input type="text"/> | |

ANTI ROLL BAR

FRONT /mm THICKNESS /mm REAR /mm

TIRES

| FRONT | REAR |
|------------------------------|------------------------------|
| TYPE <input type="text"/> | TYPE <input type="text"/> |
| INSERTS <input type="text"/> | INSERTS <input type="text"/> |
| WHEELS <input type="text"/> | WHEELS <input type="text"/> |

ENGINE

TYPE

MUFFLER

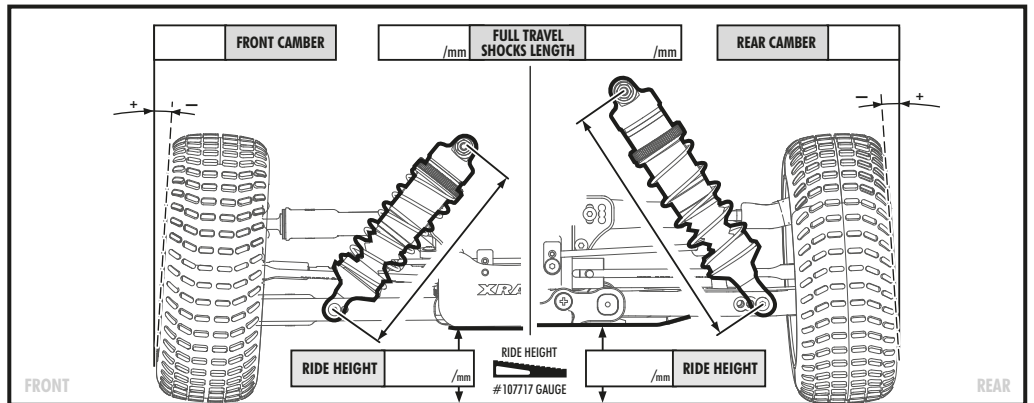
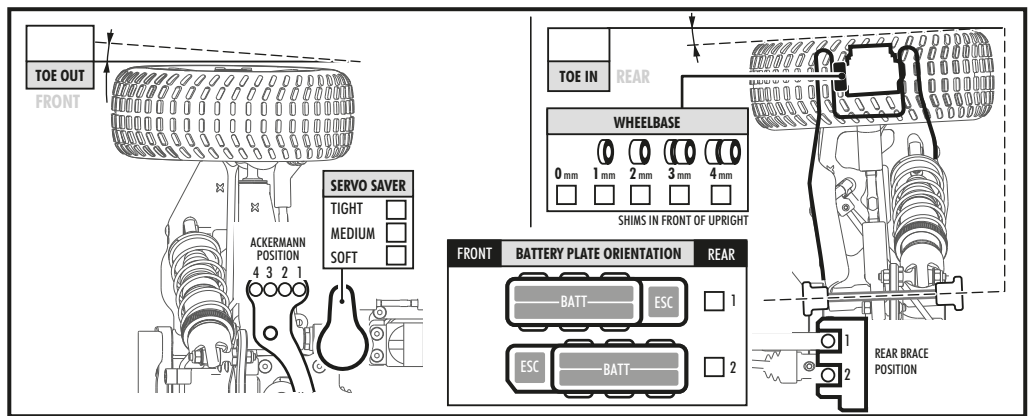
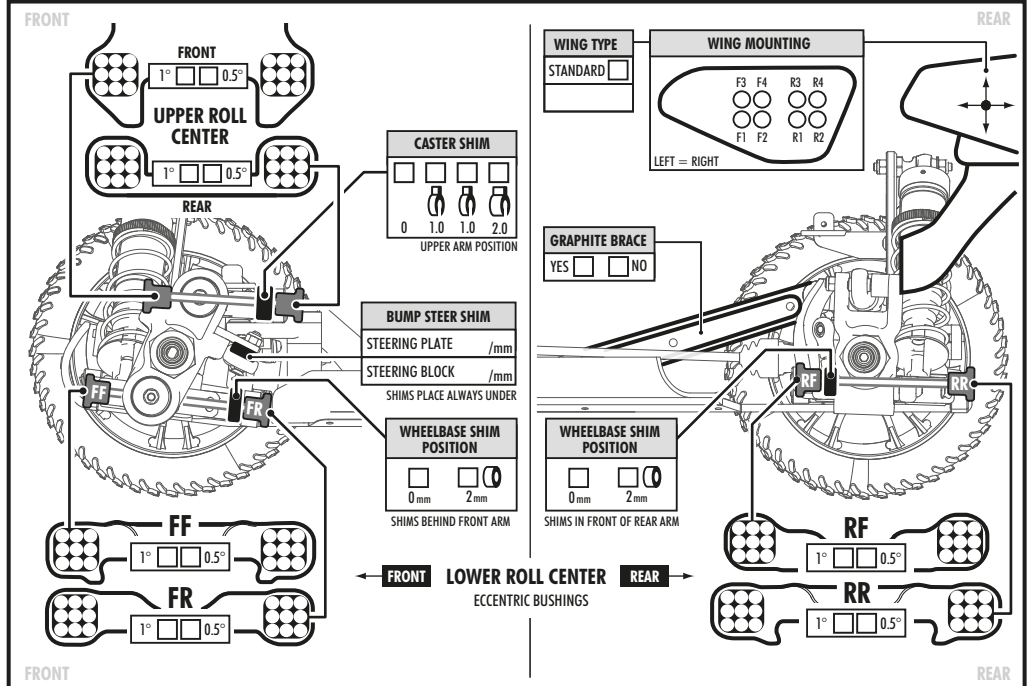
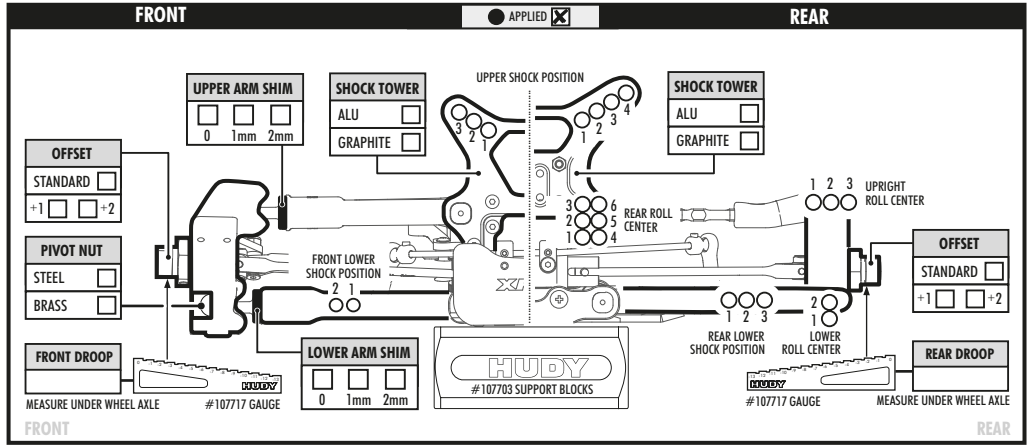
MANIFOLD

PLUG

FUEL

BODY

TYPE



COMMENTS