

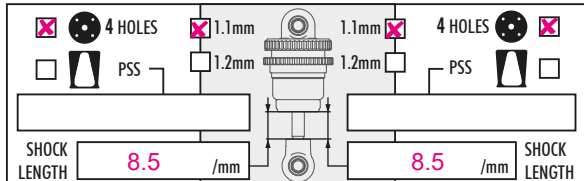
RACE	Basic EU Set-Up for CARPET		
TRACK	Hudy Arena		
NAME	Martin Hudy	DATE	

QUAL POSITION	FINAL POSITION	BEST LAPTIME	LAPS	TIME
		/sec	/	

TRACK			
TRACK SURFACE	<input checked="" type="checkbox"/> CARPET	<input type="checkbox"/> ASPHALT	
TRACK LAYOUT	<input type="checkbox"/> TECHNICAL	<input checked="" type="checkbox"/> MIXED	<input type="checkbox"/> FAST
TRACTION	<input type="checkbox"/> LOW	<input checked="" type="checkbox"/> MEDIUM	<input type="checkbox"/> HIGH

FRONT	TRANSMISSION	REAR
GEAR DIFF OIL	<input checked="" type="checkbox"/> FRONT SOLID AXLE	GEAR DIFF OIL 7K /cSt
PINION 29 /T	SPUR GEAR 110 /T	FINAL DRIVE RATIO

FRONT	SHOCKS	REAR
2.5-2.8	XRAY SPRINGS	2.6
350	OIL /cSt	350
25	REBOUND %	25
<input type="checkbox"/> YES <input checked="" type="checkbox"/> NO	FOAM INSERTS	<input type="checkbox"/> YES <input checked="" type="checkbox"/> NO



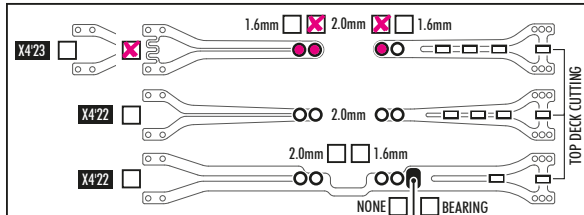
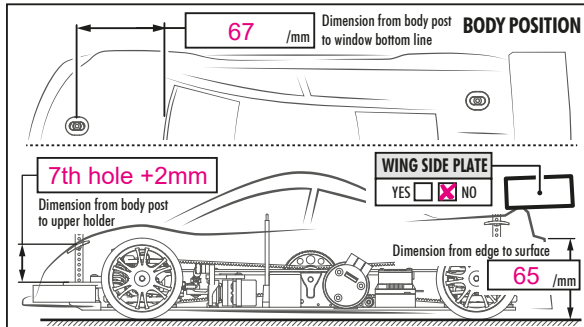
1.3	THICKNESS/mm	ANTI-ROLL BAR	THICKNESS/mm	1.2
------------	--------------	----------------------	--------------	------------

HUDY C3	TIRES	HUDY C3
HUDY RED	ADDITIVE	HUDY RED
8min	ADDITIVE TIMING	8min



TOTAL WEIGHT 1320 /g	WEIGHT BALANCE	FRONT 50 %	REAR 50 %
-----------------------------	----------------	-------------------	------------------

MOTOR 5.0T	TIMING 35
ESC HW	BATTERIES
BODY Twister	WING Twister



COMMENTS

