

RACE	Basic Set-Up For ASPHALT		
TRACK	Monsanto		
NAME	Alexander Hagberg	DATE	

QUAL POSITION	FINAL POSITION	BEST LAPTIME	LAPS	TIME
		/sec	/	

TRACK	
TRACK SURFACE	<input type="checkbox"/> CARPET <input checked="" type="checkbox"/> ASPHALT
TRACK LAYOUT	<input type="checkbox"/> TECHNICAL <input checked="" type="checkbox"/> MIXED <input type="checkbox"/> FAST
TRACTION	<input type="checkbox"/> LOW <input checked="" type="checkbox"/> MEDIUM <input type="checkbox"/> HIGH

FRONT	TRANSMISSION	REAR
GEAR DIFF OIL	<input checked="" type="checkbox"/> FRONT SOLID AXLE	GEAR DIFF OIL 7.000/cst
PINION 29 /T	SPUR GEAR 110 /T	FINAL DRIVE RATIO

FRONT	SHOCKS	REAR
2.5-2.8	XRAY SPRINGS	2.6
350	OIL /Cst	350
25	REBOUND %	25
<input type="checkbox"/> YES <input checked="" type="checkbox"/> NO	FOAM INSERTS	<input type="checkbox"/> YES <input checked="" type="checkbox"/> NO

<input checked="" type="checkbox"/> 4 HOLES	<input checked="" type="checkbox"/> 1.1mm	<input checked="" type="checkbox"/> 1.1mm	<input checked="" type="checkbox"/> 4 HOLES
<input type="checkbox"/> PSS	<input type="checkbox"/> 1.2mm	<input type="checkbox"/> 1.2mm	<input type="checkbox"/> PSS
SHOCK LENGTH 8.5 /mm			SHOCK LENGTH 8.5 /mm

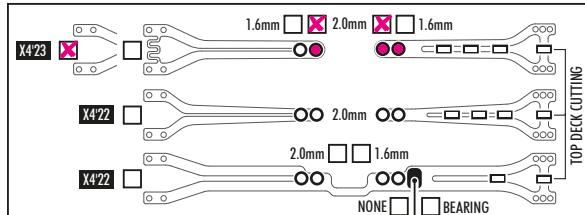
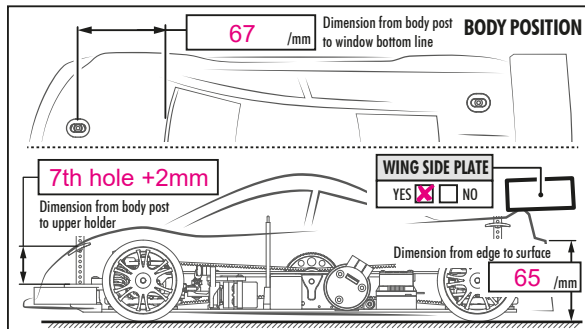
1.2	THICKNESS/mm	ANTI-ROLL BAR	THICKNESS/mm	1.2
-----	--------------	---------------	--------------	-----

HUDY A1	TIRES	HUDY A1
HUDY	ADDITIVE	HUDY
10min	ADDITIVE TIMING	10min

FRONT LEFT	FRONT RIGHT	TREATED AREA	REAR LEFT	REAR RIGHT
------------	-------------	--------------	-----------	------------

TOTAL WEIGHT 1320 /g	WEIGHT BALANCE	FRONT 50 %	REAR 50 %
----------------------	----------------	------------	-----------

MOTOR 4.5T	TIMING 35
ESC HW	BATTERIES 5300 LCG
BODY Twister	WING Twister



COMMENTS

