

1/10 LUXURY ELECTRIC FORMULA

# XRAY

# X1

# 2017

## INSTRUCTION MANUAL

MADE IN  
EUROPE

★ ★ ★  
**EUROPEAN  
CHAMPION**  
★ ★ ★

**USA  
NATIONAL  
CHAMPION**

**2x**  
**WINNER**

**3x**  
**EIS**  
**CHAMPION**

**12x**  
**EIS**  
**WINNER**

**2x**  
**SNOWBIRD  
WINNER**

**TITC**  
**WINNER**

**EEG**  
**CHAMPION**

**15x**  
**NATIONAL  
CHAMPION  
TITLES**

## BEFORE YOU START

The X1 is a high-competition, high-quality, 1/10-scale Formula car intended for persons aged 16 years and older with previous experience building and operating RC model racing cars. This is not a toy; it is a precision racing model. This model racing car is not intended for use by beginners, inexperienced customers, or by children without direct supervision of a responsible, knowledgeable adult. If you do not fulfill these requirements, please return the kit in unused and unassembled form back to the shop where you have purchased it.

Before building and operating your X1, **YOU MUST** read through all of the operating instructions and instruction manual and fully understand them to get

## CUSTOMER SUPPORT

We have made every effort to make these instructions as easy to understand as possible. However, if you have any difficulties, problems, or questions, please do not hesitate to contact the XRAY support team at [info@teamxray.com](mailto:info@teamxray.com). Also, please visit our Web site at [www.teamxray.com](http://www.teamxray.com) to find the latest updates, set-up information, option parts, and many other goodies. We pride ourselves on taking excellent care of our customers.

You can join thousands of XRAY fans and enthusiasts in our online community at:

[www.teamxray.com](http://www.teamxray.com)

**Failure to follow these instructions will be considered as abuse and/or neglect.**

## SAFETY PRECAUTIONS

Contains:

LEAD (CAS 7439-92-1) ANTIMONY (CAS 7440-36-0)

WARNING: This product contains a chemical known to the state of California to cause cancer and birth defects or other reproductive harm.

CAUTION: CANCER HAZARD

Contains lead, a listed carcinogen. Lead is harmful if ingested. Wash thoroughly after using. DO NOT use product while eating, drinking or using tobacco products. May cause chronic effects to gastrointestinal tract, CNS, kidneys, and blood. MAY CAUSE BIRTH DEFECTS.

When building, using and/or operating this model always wear protective glasses and gloves.

Take appropriate safety precautions prior to operating this model. You are responsible for this model's assembly and safe operation! Please read the instruction manual before building and operating this model and follow all safety precautions. Always keep the instruction manual at hand for quick reference, even after completing the assembly. Use only genuine and original authentic XRAY parts for maximum performance. Using any third party parts on this model will void guaranty immediately.

## IMPORTANT NOTES - GENERAL

- This product is not suitable for children under 16 years of age without the direct supervision of a responsible and knowledgeable adult.
- Carefully read all manufacturers warnings and cautions for any parts used in the construction and use of your model.
- Assemble this kit only in places away from the reach of very small children.
- First-time builders and users should seek advice from people who have building experience in order to assemble the model correctly and to allow the model to reach its performance potential.
- Exercise care when using tools and sharp instruments.
- Take care when building, as some parts may have sharp edges.
- Keep small parts out of reach of small children. Children must not be allowed to put any parts in their mouth, or pull vinyl bag over their head.
- Read and follow instructions supplied with paints and/or cement, if used (not included in kit).
- Immediately after using your model, do NOT touch equipment on the model such as the motor and speed controller, because they generate high temperatures. You may seriously burn yourself seriously touching them.
- Follow the operating instructions for the radio equipment at all times.
- Do not put fingers or any objects inside rotating and moving parts, as this may cause damage or serious injury as your finger, hair, clothes, etc. may get caught.
- Be sure that your operating frequency is clear before turning on or running your model, and never share the same frequency with somebody else at the same time. Ensure that others are aware of the operating frequency you are using and when you are using it.
- Use a transmitter designed for ground use with RC cars. Make sure that no one else is using the same frequency as yours in your operating area. Using the same frequency at the same time, whether it is driving, flying or sailing, can cause loss of control of the RC model, resulting in a serious accident.
- Always turn on your transmitter before you turn on the receiver in the car. Always turn off the receiver before turning your transmitter off.
- Keep the wheels of the model off the ground when checking the operation of the radio equipment.
- Disconnect the battery pack before storing your model.
- When learning to operate your model, go to an area that has no obstacles that can damage your model if your model suffers a collision.
- Remove any sand, mud, dirt, grass or water before putting your model away.
- If the model behaves strangely, immediately stop the model, check and clear the problem.
- To prevent any serious personal injury and/or damage to property, be responsible when operating all remote controlled models.
- The model car is not intended for use on public places and roads or areas where its operation can conflict with or disrupt pedestrian or vehicular traffic.
- Because the model car is controlled by radio, it is subject to radio interference from many sources that are beyond your control. Since radio interference can cause momentary loss of control, always allow a safety margin in all directions around the model in order to prevent collisions.
- Do not use your model:
  - Near real cars, animals, or people that are unaware that an RC car is being driven.
  - In places where children and people gather
  - In residential districts and parks
  - In limited indoor spaces
  - In wet conditions
  - In the street
  - In areas where loud noises can disturb others, such as hospitals and residential areas.
  - At night or anytime your line of sight to the model may be obstructed or impaired in any way.

the maximum enjoyment and prevent unnecessary damage. Read carefully and fully understand the instructions before beginning assembly.

Make sure you review this entire manual, download and use set-up book from the web, and examine all details carefully. If for some reason you decide The X1 is not what you wanted or expected, **do not continue any further**. Your hobby dealer cannot accept your X1 kit for return or exchange after it has been partially or fully assembled.

Contents of the box may differ from pictures. In line with our policy of continuous product development, the exact specifications of the kit may vary without prior notice.

### XRAY Europe

K Vystavisku 6992  
91101 Trenčín  
Slovakia, EUROPE  
Phone: 421-32-7401100  
Fax: 421-32-7401109  
E-mail: [info@teamxray.com](mailto:info@teamxray.com)

### XRAY USA

RC America, 2030 Century Center Blvd #15  
Irving, TX 75062  
USA  
Phone: (800) 519-7221 \* (214) 744-2400  
Fax: (214) 744-2401  
E-mail: [xray@rcamerica.com](mailto:xray@rcamerica.com)

## **IMPORTANT NOTES - ELECTRICAL**

- Insulate any exposed electrical wiring (using heat shrink tubing or electrical tape) to prevent dangerous short circuits. Take maximum care in wiring, connecting and insulating cables. Make sure cables are always connected securely. Check connectors for if they become loose. And if so, reconnect them securely. Never use R/C models with damaged wires. A damaged wire is extremely dangerous, and can cause short-circuits resulting in fire. Please have wires repaired at your local hobby shop.
- Low battery power will result in loss of control. Loss of control can occur due to a weak battery in either the transmitter or the receiver. Weak running battery may also result in an out of control car if your car's receiver power is supplied by the running battery. Stop operation immediately if the car starts to slow down.
- When not using RC model, always disconnect and remove battery.
- Do not disassemble battery or cut battery cables. If the running battery short-circuits, approximately 300W of electricity can be discharged, leading to fire or burns. Never disassemble battery or cut battery cables.
- Use a recommended charger for the receiver and transmitter batteries and follow the instructions correctly. Over-charging, incorrect charging, or using inferior chargers can cause the batteries to become dangerously hot.

- Recharge battery when necessary. Continual recharging may damage battery and, in the worst case, could build up heat leading to fire. If battery becomes extremely hot during recharging, please ask your local hobby shop for check and/or repair and/or replacement.
- Regularly check the charger for potential hazards such as damage to the cable, plug, casing or other defects. Ensure that any damage is rectified before using the charger again. Modifying the charger may cause short-circuit or overcharging leading to a serious accident. Therefore do not modify the charger.
- Always unplug charger when recharging is finished.
- Do not recharge battery while battery is still warm. After use, battery retains heat. Wait until it cools down before charging.
- Do not allow any metal part to short circuit the receiver batteries or other electrical/electronic device on the model.
- Immediately stop running if your RC model gets wet as may cause short circuit.
- Please dispose of batteries responsibly. Never put batteries into fire.

## **R/C & BUILDING TIPS**

- Make sure all fasteners are properly tightened. Check them periodically.
- Make sure that chassis screws do not protrude from the chassis.
- For the best performance, it is very important that great care is taken to ensure the free movement of all parts.
- Clean all ball-bearings so they move very easily and freely.
- Tap or pre-thread the plastic parts when threading screws.
- Self-tapping screws cut threads into the parts when being tightened. Do not use excessive force when tightening the self-tapping screws because you may strip out the thread in the plastic. We recommended you stop tightening a screw when you feel some resistance.
- Ask your local hobby shop for any advice.

Please support your local hobby shop. We at XRAY Model Racing Cars support all local hobby dealers. Therefore we ask you, if at all possible, to purchase XRAY products at your hobby dealer and give them your support like we do. If you have difficulty finding XRAY products, please check out [www.teamxray.com](http://www.teamxray.com) to get advice, or contact us via email at [info@teamxray.com](mailto:info@teamxray.com), or contact the XRAY distributor in your country.

## **WARRANTY**

XRAY guarantees this model kit to be free from defects in both material and workmanship within 30 days of purchase. The total monetary value under warranty will in no case exceed the cost of the original kit purchased. This warranty does not cover any components damaged by use or modification or as a result of wear. Part or parts missing from this kit must be reported within 30 days of purchase. No part or parts will be sent under warranty without proof of purchase. Should you find a defective or missing part, contact the local distributor. Service and customer support will be provided through local hobby store where you have purchased the kit, therefore make sure to purchase any XRAY products at your local hobby store. This model racing car is considered to be a high-performance racing vehicle. As such this vehicle will be used in an extreme range of conditions and situations, all which may cause premature wear or failure of any component. XRAY has no control over usage of vehicles once they leave the dealer, therefore XRAY can only offer warranty against all manufacturer's defects in materials, workmanship, and assembly at point of sale and before use. No warranties are expressed or implied that cover damage caused by what is considered normal use, or cover or imply how long any model cars' components or electronic components will last before requiring replacement.

Due to the high performance level of this model car you will need to periodically maintain and replace consumable components. Any and all warranty coverage will not cover replacement of any part or component damaged by neglect, abuse, or improper or unreasonable use. This includes but is not limited to

damage from crashing, chemical and/or water damage, excessive moisture, improper or no maintenance, or user modifications which compromise the integrity of components. Warranty will not cover components that are considered consumable on RC vehicles. XRAY does not pay nor refund shipping on any component sent to XRAY or its distributors for warranty. XRAY reserves the right to make the final determination of the warranty status of any component or part.

### **Limitations of Liability**

XRAY makes no other warranties expressed or implied. XRAY shall not be liable for any loss, injury or damages, whether direct, indirect, special, incidental, or consequential, arising from the use, misuse, or abuse of this product and/or any product or accessory required to operate this product. In no case shall XRAY's liability exceed the monetary value of this product.

**Take adequate safety precautions prior to operating this model. You are responsible for this model's assembly and safe operation.**

**Disregard of the any of the above cautions may lead to accidents, personal injury, or property damage. XRAY MODEL RACING CARS assumes no responsibility for any injury, damage, or misuse of this product during assembly or operation, nor any addictions that may arise from the use of this product.**

**All rights reserved.**

## **QUALITY CERTIFICATE**

XRAY MODEL RACING CARS uses only the highest quality materials, the best compounds for molded parts and the most sophisticated manufacturing processes of TQM (Total Quality Management). We guarantee that all parts of a newly-purchased kit are manufactured with the highest regard to quality. However, due to the many factors inherent in model racecar competition, we cannot guarantee

any parts once you start racing the car. Products which have been worn out, abused, neglected or improperly operated will not be covered under warranty. We wish you enjoyment of this high-quality and high-performance RC car and wish you best success on the track!

**In line with our policy of continuous product development, the exact specifications of the kit may vary. In the unlikely event of any problems with your new kit, you should contact the model shop where you purchased it, quoting the part number.**

**We do reserve all rights to change any specification without prior notice. All rights reserved.**

# SYMBOLS USED

Part bags used 	Assemble in the specified order 	Assemble left and right sides the same way 	Pay attention here 	Assemble as many times as specified (here twice) 	Cut off remaining material 	Apply CA glue 	Detail view 
Apply oil 	Apply grease 	Use pliers 	Ensure smooth non-binding movement 	Tighten screw gently 	<b>CORRECT</b>  Overtightened	<b>WRONG</b>  The threads are stripped.	Assembly view 

# TOOLS REQUIRED

**HUDY TOOLS:**

Allen: 1.5mm      Allen: 2.0mm      Allen: 2.5mm      Allen: 3.0mm      Phillips: 3.0mm      Socket: 7.0mm

Scissors (HUDY #188990) 	Combination Pliers (HUDY #189020) 	Side Cutters (HUDY #189010) 	Hobby Knife 	Turnbuckle Wrench 4mm (HUDY #181040) 	Reamer (HUDY #107600) or (HUDY #107601) 
--------------------------------	--	------------------------------------	-----------------	---	--

# EQUIPMENT INCLUDED

HUDY Premium Silicone Oils Oil 600cSt (#106360) Oil 10000cSt (#106510) 	Diff Grease (HUDY #106211) 
--	-----------------------------------

# NOT INCLUDED

SAMPLE OF OPTIONAL PARTS		XRAY offers wide range of optional tuning parts which are listed in a table like this. Please refer to the exploded view of each main section to verify which part is included in the kit while all other parts are available only as optional parts and must be purchased separately.
#37XXXX	OPTION 1	
#37XXXX	OPTION 2	
#37XXXX	OPTION 3	

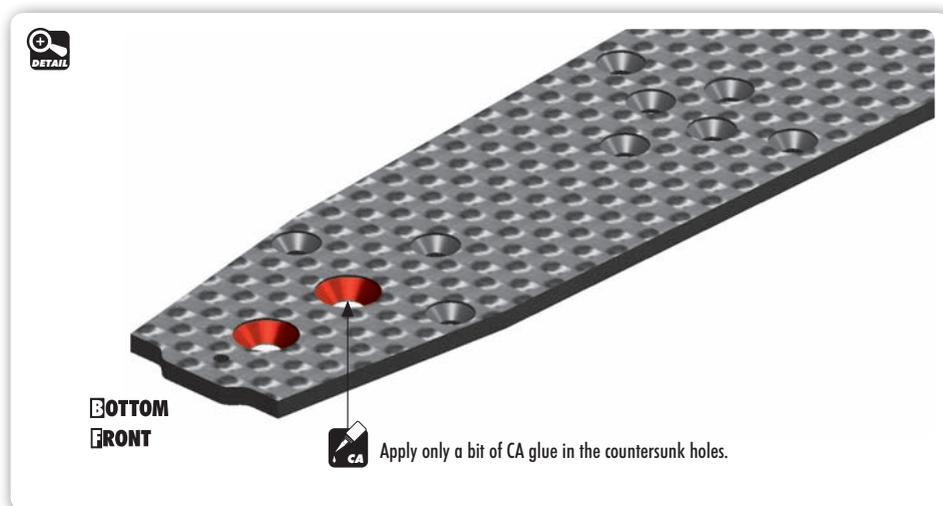
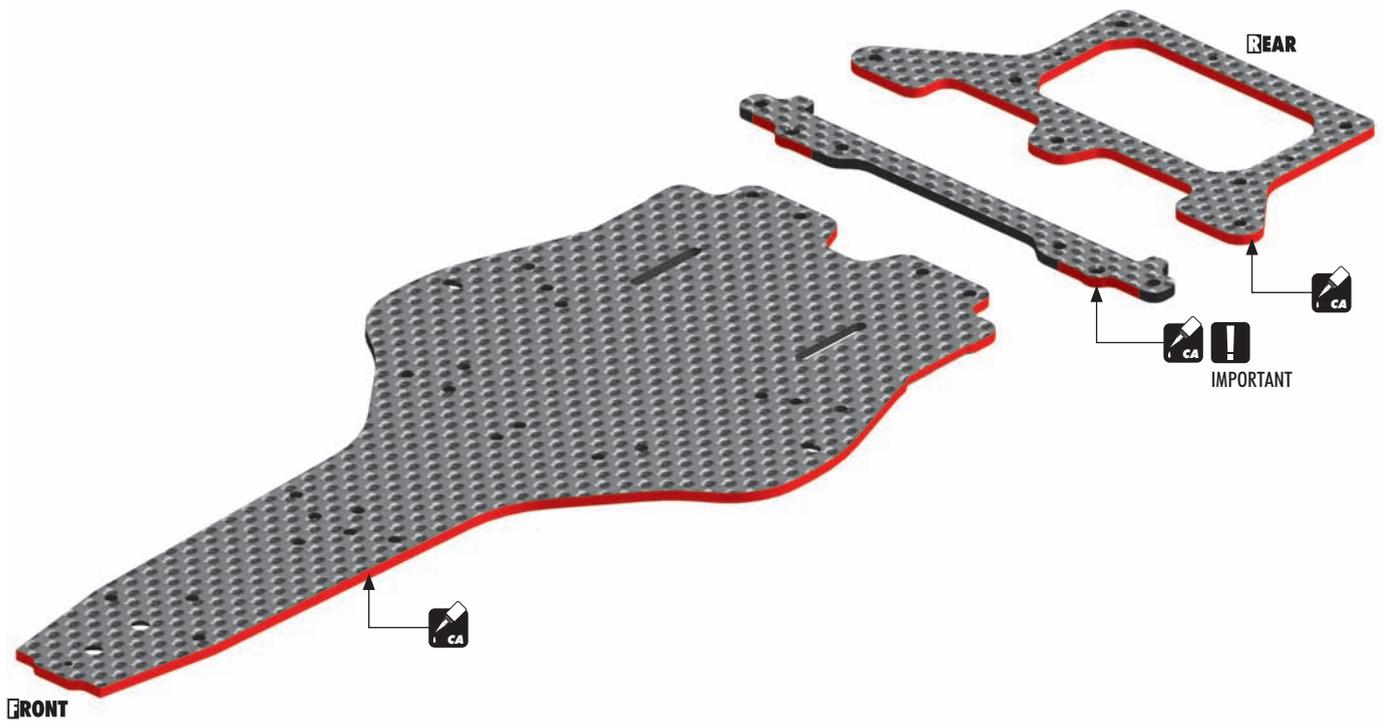
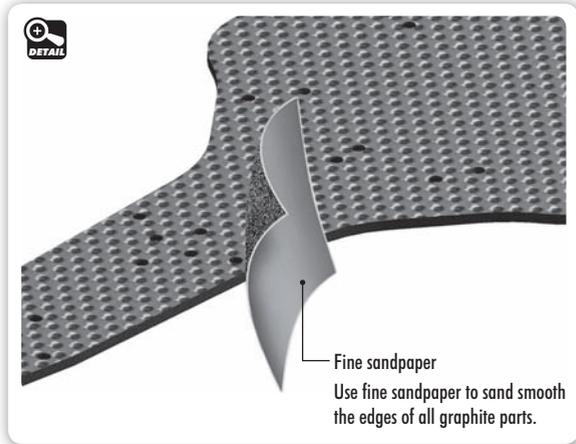
# EQUIPMENT REQUIRED

Transmitter 	Receiver 	Steering Servo 	Electric Motor 	Pinion Gear and Setscrew 	Bearing Oil (HUDY #106230) 
Speed Controller 	LiPo Battery 	Lexan™ Paint 	Battery Charger 	Fibre Tape (HUDY #107870) Double-sided Tape 	Wheels & Tires & Inserts 

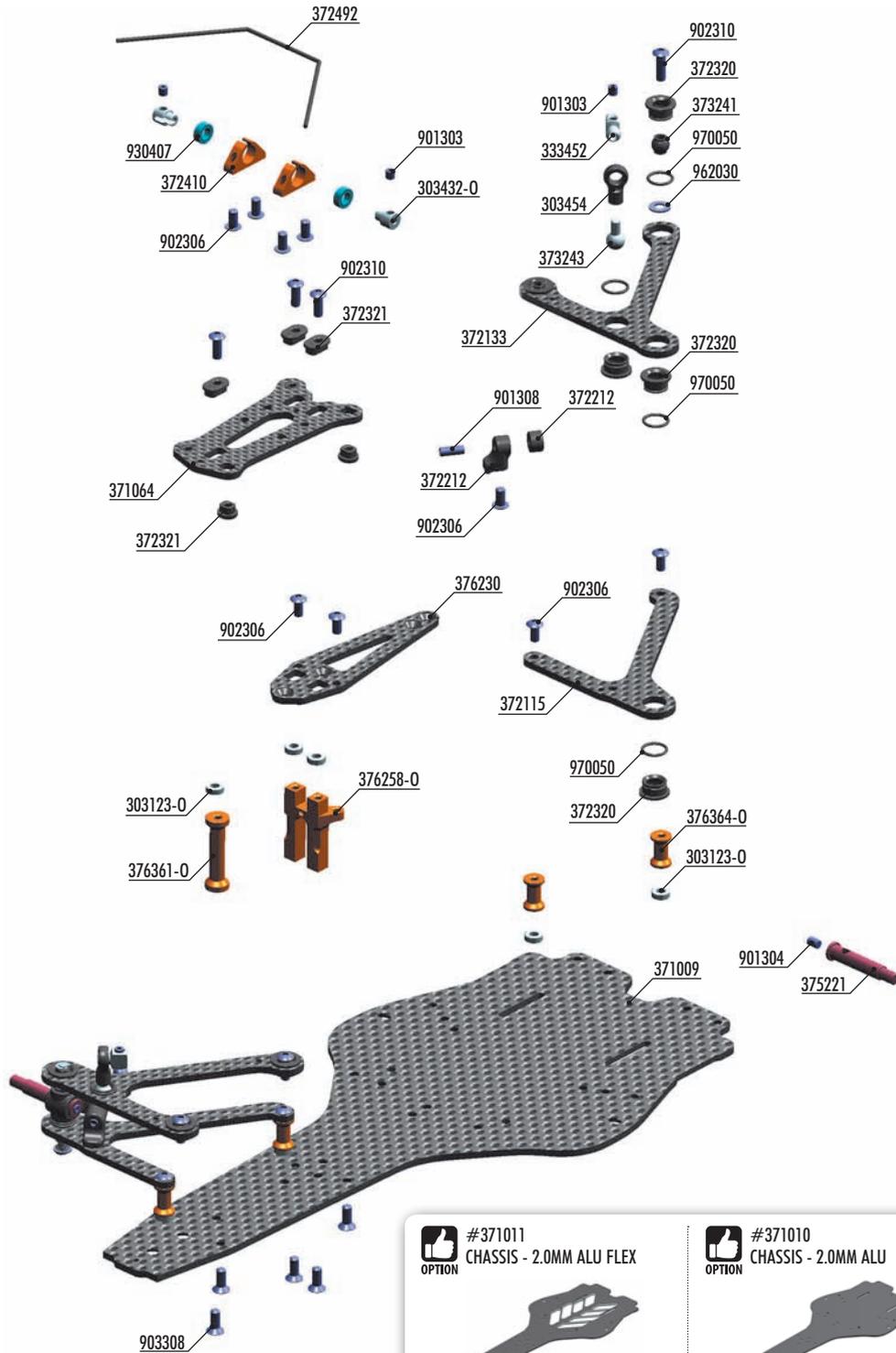
# CHASSIS PREPARATION

To protect and seal edges of graphite parts, sand edges smooth and then apply CA glue.

Do this for: chassis edges and countersunk holes.



# 1. FRONT SUSPENSION



FRONT COIL SPRINGS		
#372176	C=1.5 - GOLD (SOFT)	OPTION
#372177	C=2.0 - SILVER (SOFT)	OPTION
#372178	C=2.5 - BLACK (SOFT)	OPTION
#372179	C=3.0 - GREY (SOFT)	OPTION
#372180	C=3.5 - GOLD	INCLUDED
#372181	C=4.0 - SILVER	OPTION
#372182	C=5.0 - BLACK	OPTION
#372183	C=5.5 - GREY	OPTION



ANTI-ROLL BARS		
#372491	1.1MM	OPTION
#372492	1.2MM	INCLUDED
#372493	1.3MM	OPTION
#372494	1.4MM	OPTION

<b>#371011</b> CHASSIS - 2.0MM ALU FLEX 	<b>#371010</b> CHASSIS - 2.0MM ALU 	<b>#371012</b> CHASSIS - 2.0MM - GRAPHITE 
--	---	--

**BAG**

**01**

- 30 3123-0 ALU SHIM 3x6x2.0MM - ORANGE (10)
- 30 2652 BALL END 4.9MM WITH THREAD 4MM (2)
- 30 3432-0 ALU ANTI-ROLL BAR BUSHING - ORANGE (2)
- 30 3454 BALL JOINT 4.9MM - OPEN (4)
- 33 3452 ALU ANTI-ROLL BAR PIVOT BALL 4.9 MM (2)
- 37 1009 X1'17 CHASSIS - 2.5MM GRAPHITE
- 37 1064 X1'17 ARM MOUNT PLATE - 2.5MM GRAPHITE
- 37 2115 X1'17 GRAPHITE LOWER SUSPENSION ARM 2.5MM
- 37 2133 X1'17 GRAPHITE UPPER SUSPENSION ARM 2.5MM
- 37 2180 FRONT COIL SPRING 3.6x6x0.5MM; C=3.5 - GOLD (2)
- 37 2212 X1 COMPOSITE STEERING BLOCK & BACKSTOPS
- 37 2281 X1 KING PIN (2)
- 37 2290 ALU SHIM 3.2x4.8x0.5 (4)
- 37 2320 X1 COMPOSITE ARM BUSHING (4)
- 37 2321 X1 COMPOSITE CASTER & CAMBER BUSHING (2+2+2+2)
- 37 2410 X1 ALU BALL-BEARING ANTI-ROLL BAR HOLDER - ORANGE
- 37 2492 ANTI-ROLL BAR - FRONT 1.2 MM
- 37 3241 COMPOSITE PIVOTBALL UNIVERSAL 6.0 MM (2)

- 37 3242 COMPOSITE PIVOTBALL UNIVERSAL 6.0 MM - SHORT (2)
- 37 3243 BALL END 6.0MM WITH THREAD 4MM (2)
- 37 5221 X1 FRONT WHEEL AXLE - HUDY SPRING STEEL™ (2)
- 37 6230 X1'16 SERVO HOLDER - 2.5MM GRAPHITE
- 37 6258-0 X1'16 ALU SERVO MOUNT - ORANGE
- 37 6361-0 ALU MOUNT 26.5MM - ORANGE (2)
- 37 6364-0 ALU MOUNT 10.8MM - ORANGE (2)
- 90 1303 HEX SCREW SB M3x3 (10)
- 90 1304 HEX SCREW SB M3x4 (10)
- 90 1308 HEX SCREW SB M3x8 (10)
- 90 2306 HEX SCREW SH M3x6 (10)
- 90 2310 HEX SCREW SH M3x10 (10)
- 90 3308 HEX SCREW SFH M3x8 (10)
- 93 0407 BALL-BEARING 4x7x2.5 (2)
- 96 2030 WASHER S 3x6x0.3 (10)
- 96 5019 E-CLIP 1.9 (10)
- 97 0050 O-RING 5x1 (10)

# 1. FRONT SUSPENSION

970050  
0 5x1

**2x L=R UPPER ARMS**

6x  
COMPOSITE BALL

2x  
6.0MM BALL END

RIGHT FRONT LEFT

CUTAWAY VIEW  
TOP  
BOTTOM

**2x L=R UPPER ARMS**

RIGHT FRONT LEFT

INITIAL SETTING  
19.5mm  
2.0mm

**2x L=R LOWER ARMS**

NOTE ORIENTATION

2x  
SHORT COMPOSITE BALL

RIGHT FRONT LEFT

Remove excess material

CUTAWAY VIEW  
TOP  
BOTTOM

901308  
SB M3x8

**2x**

5mm

1.5mm

902306  
SH M3x6

**2x L=R LOWER ARMS**

RIGHT FRONT LEFT

STEERING ANGLE  
BACKSTOP

The adjustable backstops are used to limit the steering angle. Adjust the backstop with the set-screw to achieve the maximum steering angle needed. Adjust the steering angle on both L & R sides to the same amount.

# 1. FRONT SUSPENSION



303123-0  
SHIM 3x6x2

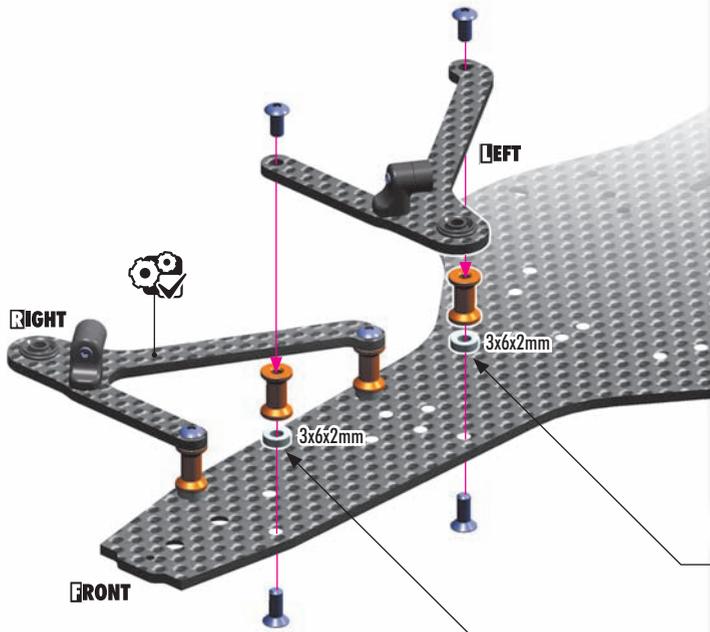


902306  
SH M3x6

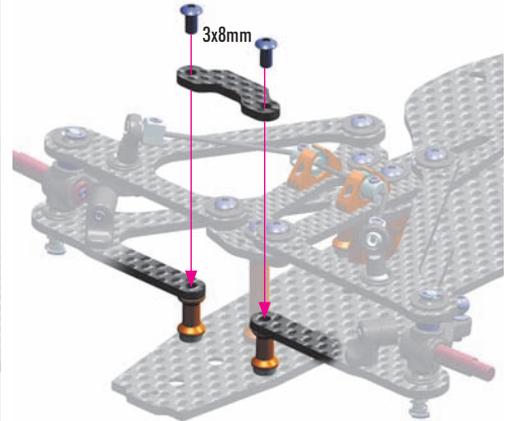


903308  
SFH M3x8

2x L=R



**#372087**  
OPTION X1 GRAPHITE FRONT ARM BRACE 2.5mm



The brace makes the car easier to drive.  
Recommended for high-traction conditions.

**!** These shims adjust the roll-center of the front bottom arm as well as the front ride height. The thickness of the shim depends on the tire diameter. For initial setting, use the 3x6x2mm shim.

**IMPORTANT!** Use the same shim thickness under all 4 posts.

**#371011**  
OPTION CHASSIS - 2.0MM ALU FLEX



**#371010**  
OPTION CHASSIS - 2.0MM ALU



**#371012**  
OPTION CHASSIS - 2.0MM - GRAPHITE

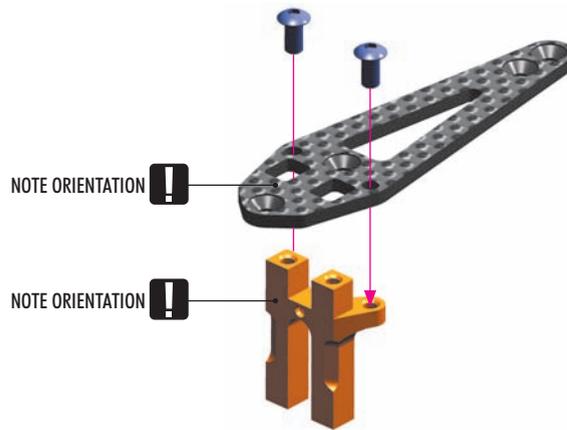


**2MM CHASSIS**  
For low-traction conditions, as it improves overall car traction.

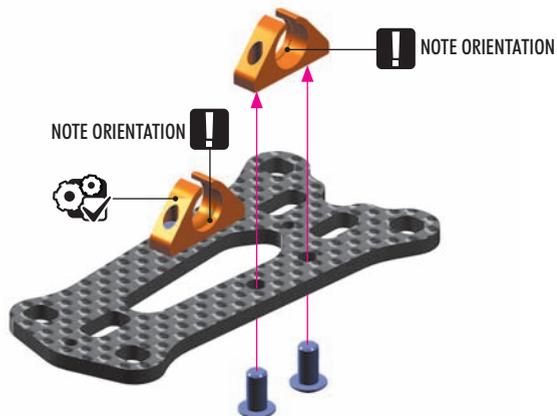
**ALU CHASSIS**  
Makes the car more stable and easier to drive in particular conditions.



902306  
SH M3x6



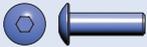
902306  
SH M3x6



# 1. FRONT SUSPENSION



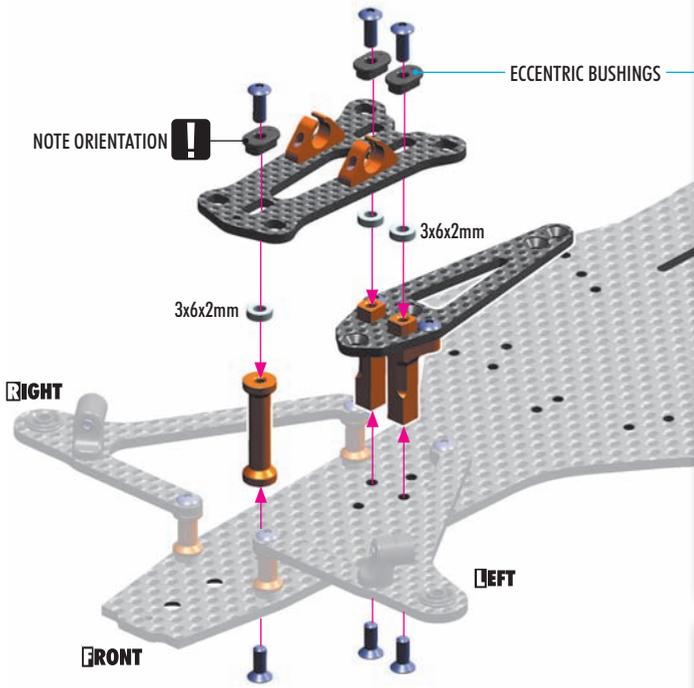
303123-0  
SHIM 3x6x2



902310  
SH M3x10



903308  
SFH M3x8

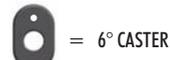


## IMPORTANT!

All three bushings **MUST** have same orientation. These bushings adjust the front **CASTER**:



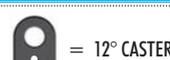
= 3° CASTER



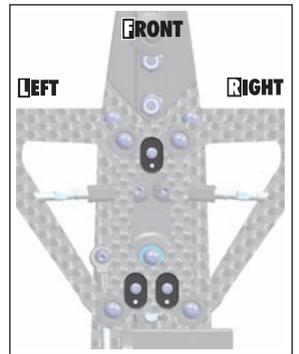
= 6° CASTER



**INITIAL SETTING**  
= 9° CASTER



= 12° CASTER



These eccentric bushings adjust the front **CASTER**.

**MORE** caster angle = better cornering speed, increased traction rolling. Use on large, open tracks where cornering speed is needed.

**LESS** caster angle = more reactive steering. Use on technical tracks where a lot of steering response is needed.



### ALU CASTER BUSHINGS

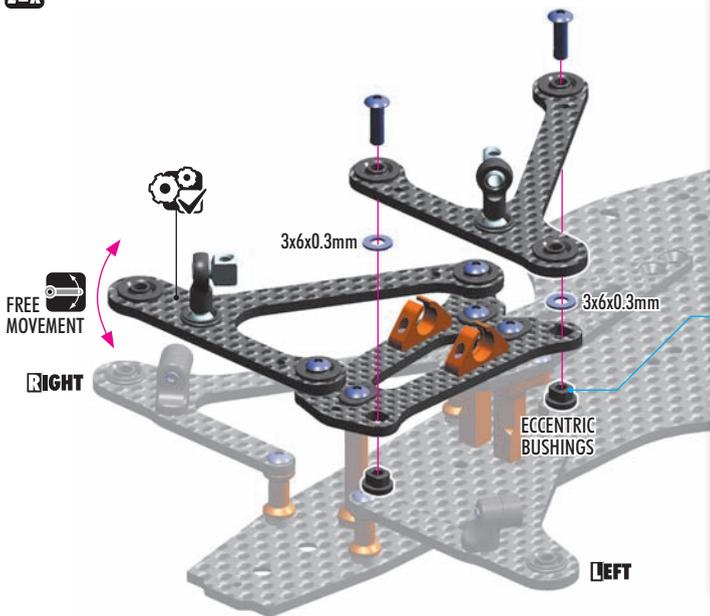
OPTION	#372327	CASTER 6°, 9° (3)	ALU	OPTION
	#372328	CASTER 3°, 12° (3)	ALU	OPTION



902310  
SH M3x10



962030  
S 3x6x0.3



## IMPORTANT!

All four bushings **MUST** have same orientation. These bushings adjust the front **CAMBER**:



= 1.0° CAMBER



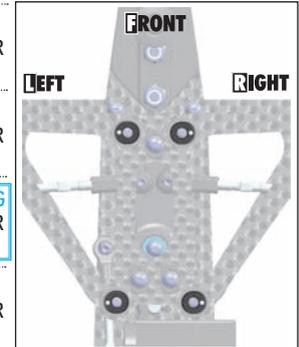
= 1.5° CAMBER



**INITIAL SETTING**  
= 2.0° CAMBER



= 2.5° CAMBER



These eccentric bushings adjust the front **CAMBER**.

The more camber angle, the more steering there is. However, it makes the car more sensitive and more difficult to drive.

Use **LESS** camber angle for carpet and other high-traction tracks. Use **MORE** camber on asphalt and low-traction tracks.

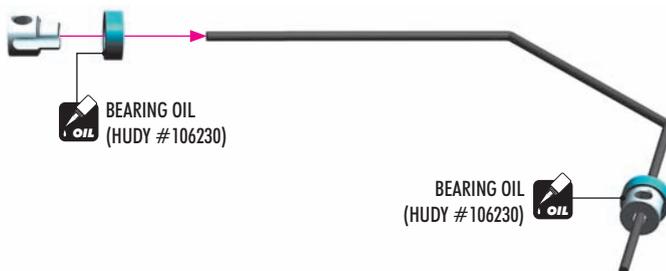


### ALU CAMBER BUSHINGS

OPTION	#372325	CAMBER 1.5°, 2.0° (2)	ALU	OPTION
	#372326	CAMBER 1.0°, 2.5° (2)	ALU	OPTION



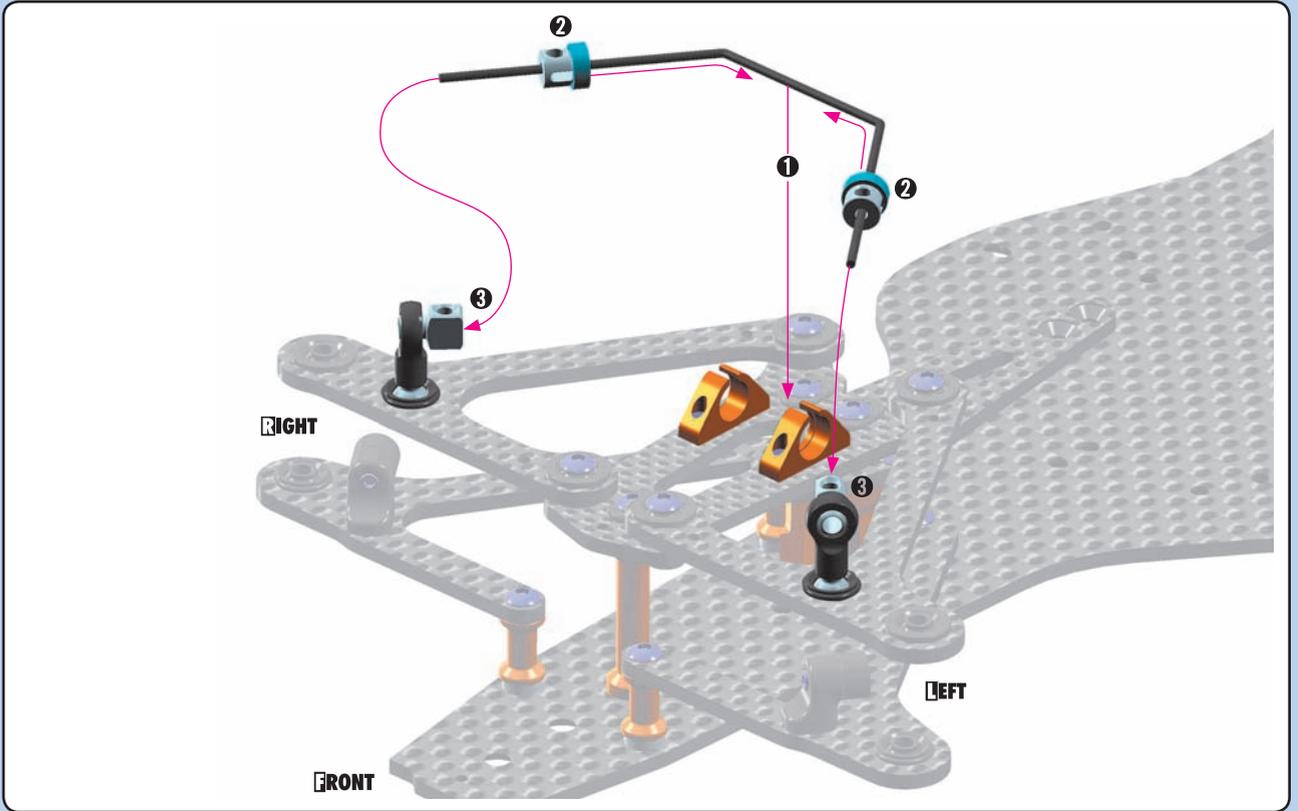
930407  
BB 4x7x2.5



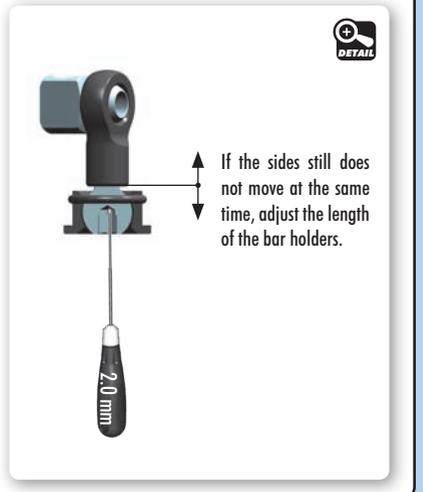
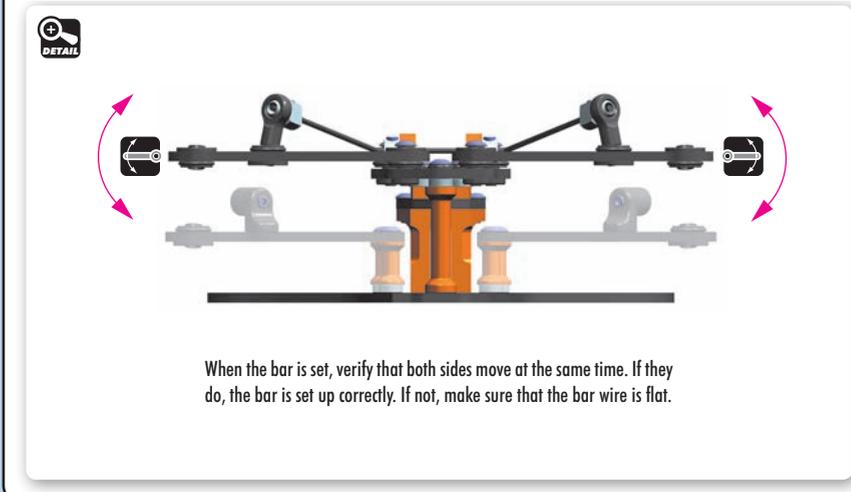
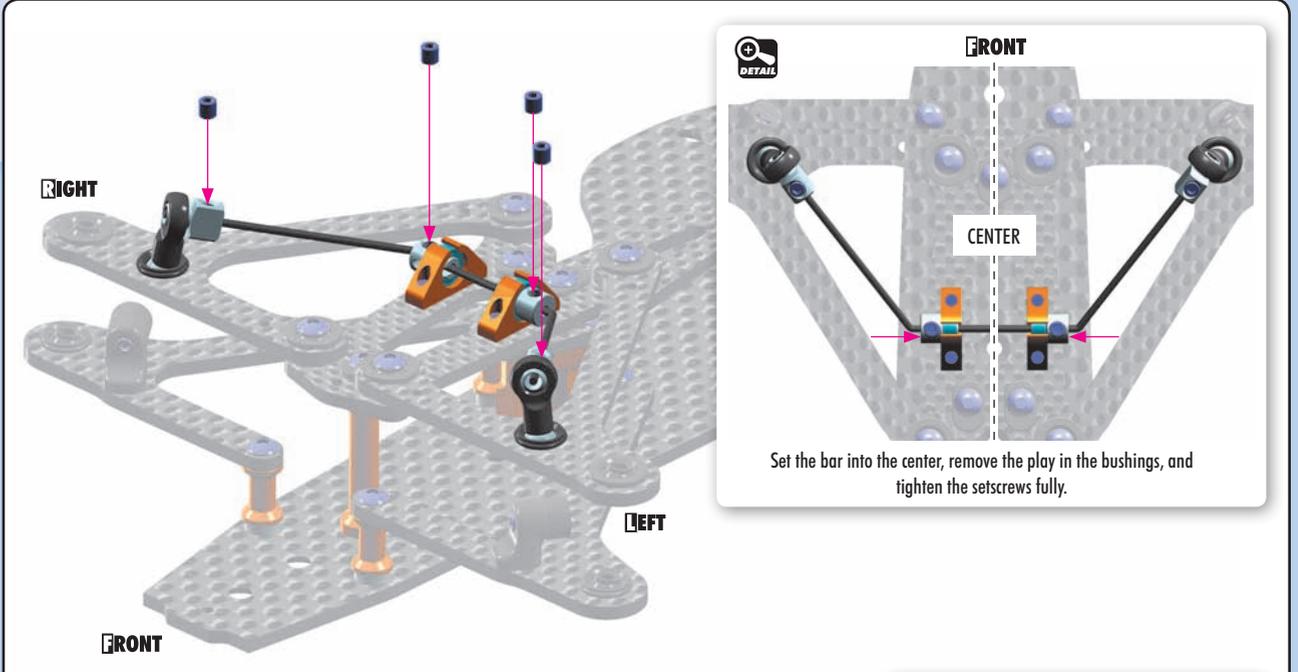
### ANTI-ROLL BARS

OPTION	#372491	1.1MM	OPTION
	#372492	1.2MM	INCLUDED
	#372493	1.3MM	OPTION
	#372494	1.4MM	OPTION

# 1. FRONT SUSPENSION



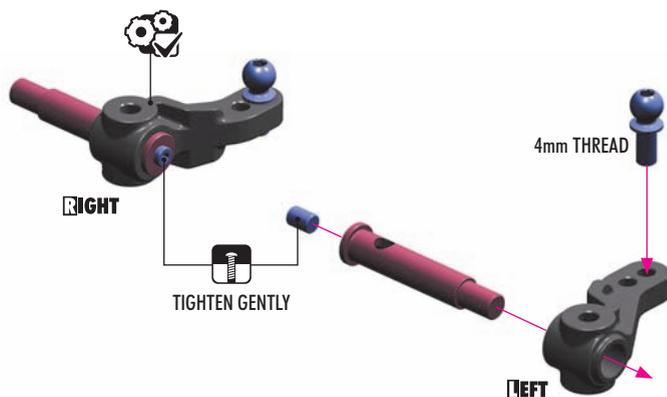
901303  
SB M3x3



# 1. FRONT SUSPENSION

901304  
SB M3x4

2x  
L=R



There are two Ackermann positions on the steering block:

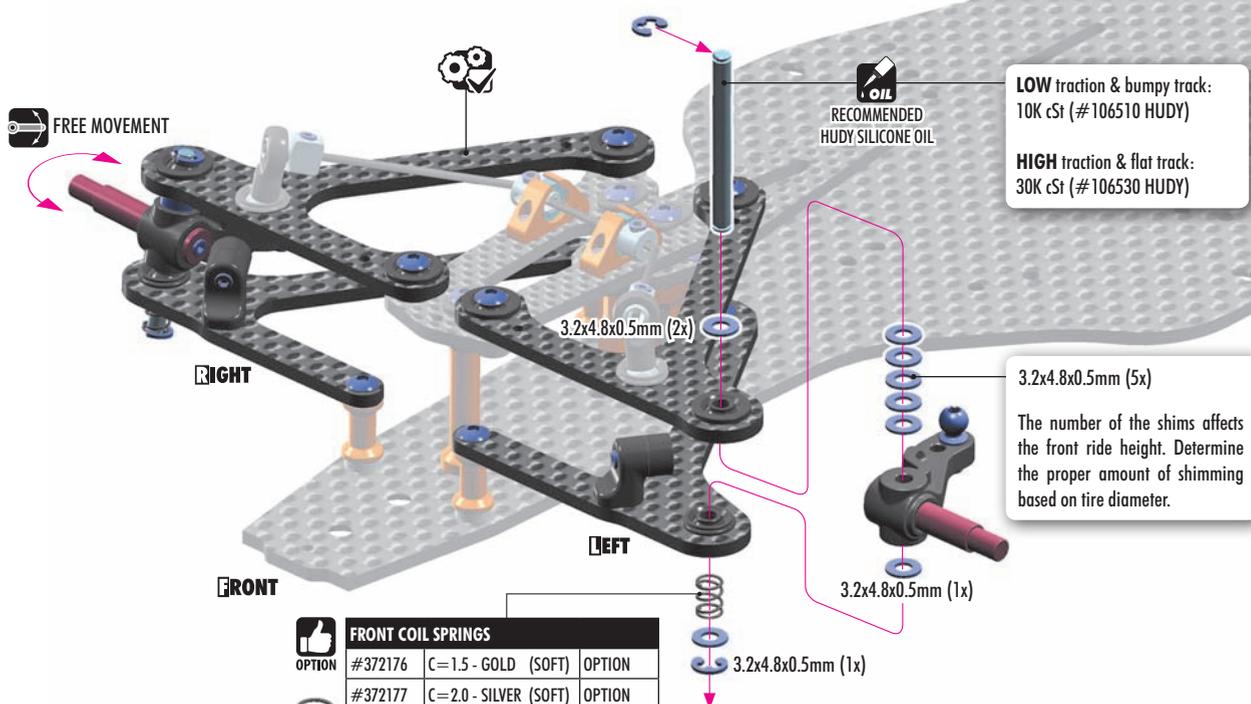


**INNER** position: improved steering response  
**OUTER** position: easier to drive

965019  
C 1.9

372290  
SHIM 3.2x4.8x0.5

2x  
L=R



**LOW** traction & bumpy track:  
10K cSt (#106510 HUDY)

**HIGH** traction & flat track:  
30K cSt (#106530 HUDY)

**OIL**  
RECOMMENDED  
HUDY SILICONE OIL

3.2x4.8x0.5mm (5x)

The number of the shims affects the front ride height. Determine the proper amount of shimming based on tire diameter.

3.2x4.8x0.5mm (1x)

3.2x4.8x0.5mm (1x)

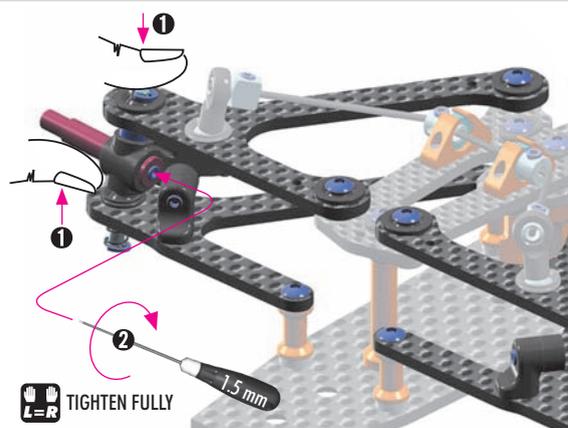


OPTION	FRONT COIL SPRINGS	OPTION
#372176	C=1.5 - GOLD (SOFT)	OPTION
#372177	C=2.0 - SILVER (SOFT)	OPTION
#372178	C=2.5 - BLACK (SOFT)	OPTION
#372179	C=3.0 - GREY (SOFT)	OPTION
#372180	C=3.5 - GOLD	INCLUDED
#372181	C=4.0 - SILVER	OPTION
#372182	C=5.0 - BLACK	OPTION
#372183	C=5.5 - GREY	OPTION

2x  
L=R

After assembling the steering block, loosen the set-screw slightly.

Use your thumb to press down on the top of the kingpin, then use your other fingers to pull up the steering block. Then tighten the set-screw.



# 2. REAR SUSPENSION



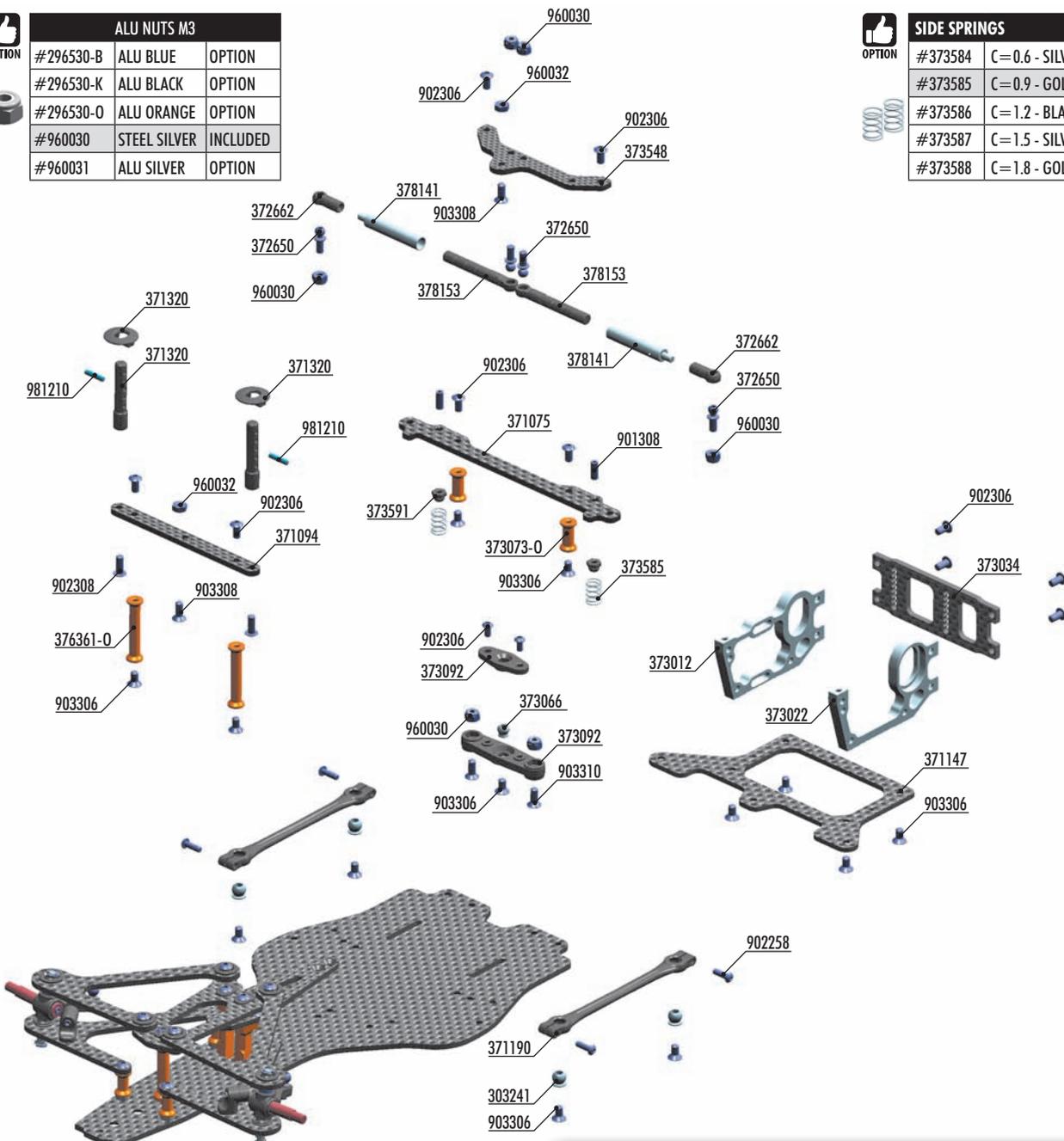
OPTION

ALU NUTS M3		
#296530-B	ALU BLUE	OPTION
#296530-K	ALU BLACK	OPTION
#296530-O	ALU ORANGE	OPTION
#960030	STEEL SILVER	INCLUDED
#960031	ALU SILVER	OPTION



OPTION

SIDE SPRINGS		
#373584	C=0.6 - SILVER	OPTION
#373585	C=0.9 - GOLD	INCLUDED
#373586	C=1.2 - BLACK	OPTION
#373587	C=1.5 - SILVER	OPTION
#373588	C=1.8 - GOLD	OPTION



#371148  
OPTION X1 ALU 2.0MM REAR POD LOWER PLATE

#371149  
OPTION X1 GRAPHITE 2.0MM REAR POD LOWER PLATE

**BAG**

**02**

- |           |   |         |                             |
|-----------|---|---------|-----------------------------|
| 30 3241   | PIVOT BALL UNIVERSAL 5.8 MM WITH HEX (4)              | 37 8141 | X1 SIDE LINKAGE TUBE (2)    |
| 37 1075   | X1 '16 REAR BRACE - 2.5MM GRAPHITE                    | 37 8153 | COMPOSITE LINKAGE SHAFT (2) |
| 37 1094   | X1 '17 PLATE FOR MOUNTS - 2.5MM GRAPHITE              |         |                             |
| 37 1147   | X1 GRAPHITE 2.5MM REAR POD LOWER PLATE                | 90 1308 | HEX SCREW SB M3x8 (10)      |
| 37 1190   | COMPOSITE POD LINK (2)                                | 90 2258 | HEX SCREW SH M2.5x8 (10)    |
| 37 1320   | COMPOSITE BODY POST (2)                               | 90 2306 | HEX SCREW SH M3x6 (10)      |
| 37 2650   | BALL-END 4.2MM - THREADED - HUDY SPRING STEEL™ (2)    | 90 2308 | HEX SCREW SH M3x8 (10)      |
| 37 2662   | COMPOSITE BALL-JOINT 4.2 MM (4)                       | 90 3306 | HEX SCREW SFH M3x6 (10)     |
| 37 3012   | X1 ALU REAR BULKHEAD - MOTOR (RIGHT)                  | 90 3308 | HEX SCREW SFH M3x8 (10)     |
| 37 3022   | X1 ALU REAR BULKHEAD - LEFT                           | 90 3310 | HEX SCREW SFH M3x10 (10)    |
| 37 3034   | X1 '17 GRAPHITE REAR BULKHEAD BRACE                   | 96 0030 | NUT M3 (10)                 |
| 37 3066   | ALU PIVOT BALL  | 96 0032 | NUT M3 (10)                 |
| 37 3073-0 | ALU REAR BRACE MOUNT 13MM - ORANGE (2)                | 98 1210 | PIN 2x10 (10)               |
| 37 3092   | COMPOSITE LOWER & UPPER PIVOT BRACE - LOW ROLL-CENTER |         |                             |
| 37 3548   | X1 '16 REAR POD UPPER PLATE - 2.5MM GRAPHITE          |         |                             |
| 37 3585   | SIDE SPRING C=0.9 - GOLD (2)                          |         |                             |
| 37 3591   | COMPOSITE SIDE SPRING HOLDER (2)                      |         |                             |
| 37 6361-0 | ALU MOUNT 26.5MM - ORANGE (2)                         |         |                             |

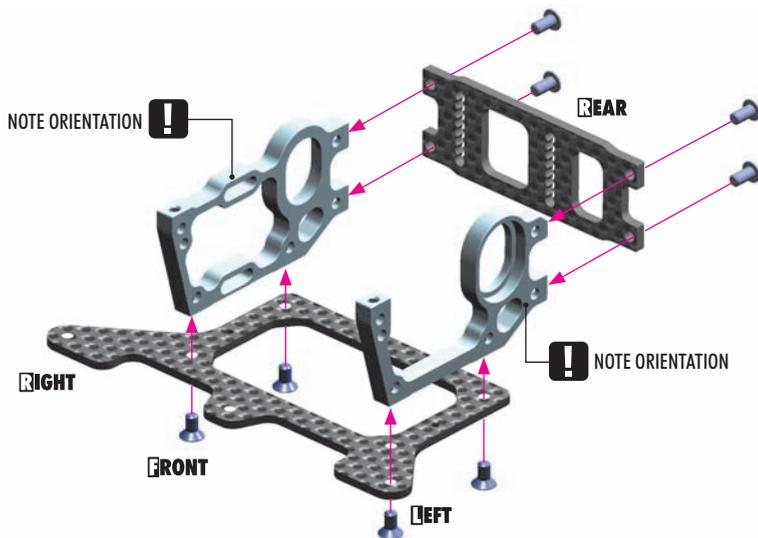
## 2. FRONT SUSPENSION



902306  
SH M3x6



903306  
SFH M3x6



#371148  
X1 ALU 2.0MM REAR POD LOWER PLATE



#371149  
X1 GRAPHITE 2.0MM REAR POD LOWER PLATE



When the optional 2MM GRAPHITE chassis is used, the optional 2.0mm graphite rear pod plate must be used as well.

When the optional ALU CHASSIS is used, the optional 2.0 alu rear pod plate must be used as well.



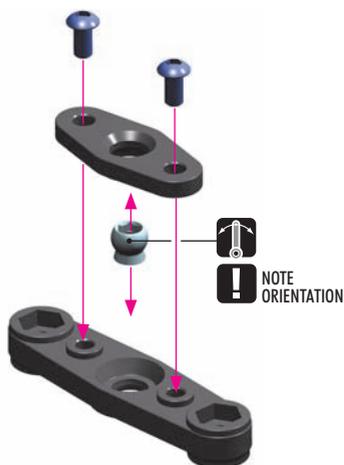
902306  
SH M3x6



903310  
SFH M3x10



960030  
N M3

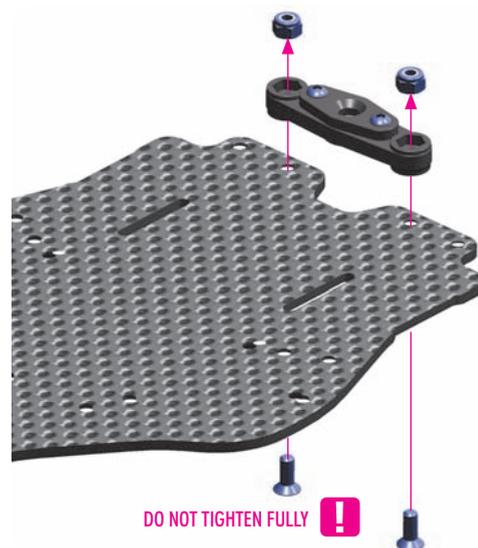
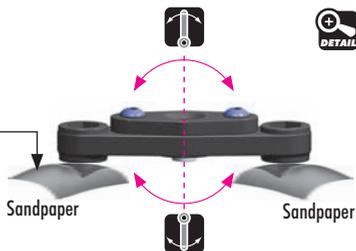


Ensure free, smooth movement without excessive freeplay.



**TIP**

Gently scuff the bottom of the composite lower pivot brace on sandpaper to make the surface slightly rough. This will help the lower pivot brace to grip the chassis surface better.



DO NOT TIGHTEN FULLY



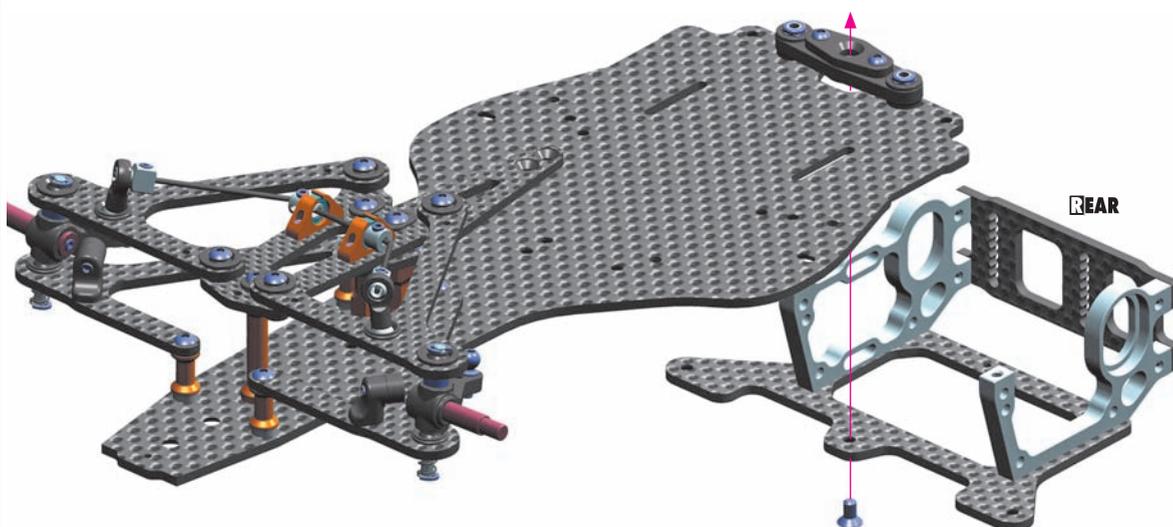
OPTION

ALU NUTS M3

#296530-B	ALU BLUE	OPTION
#296530-K	ALU BLACK	OPTION
#296530-O	ALU ORANGE	OPTION
#960030	STEEL SILVER	INCLUDED
#960031	ALU SILVER	OPTION



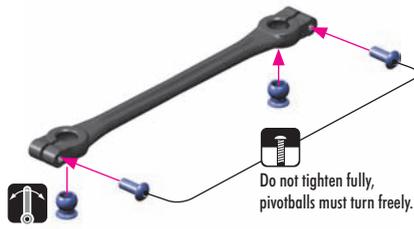
903306  
SFH M3x6



## 2. REAR SUSPENSION

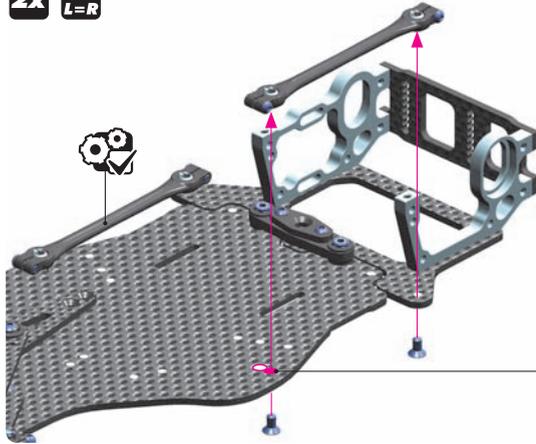


2x

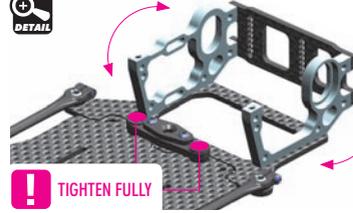


2x

L=R



DETAIL



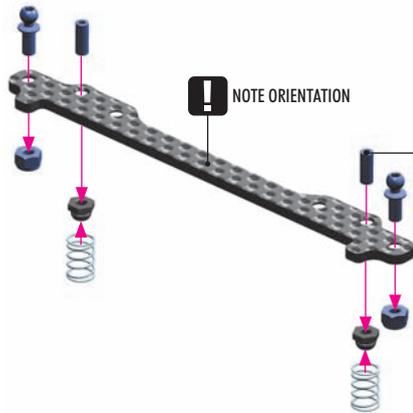
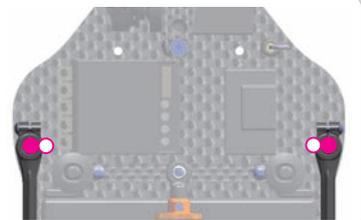
Ensure free, smooth movement. If the POD plate does not move freely, untight slightly the nuts of composite pivot brace and tight again.

DETAIL

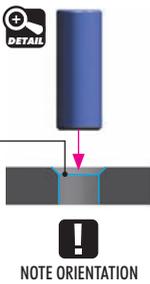
POD Linkage position

OUTER POSITION (INITIAL SETTING)  
The side link is straight, easier to drive.

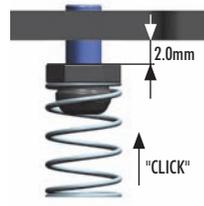
INNER POSITION  
The side link is angled, increased in-corner steering.



DETAIL

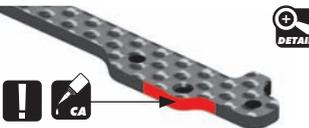


DETAIL



L=R

IMPORTANT



Make sure both side springs are tightened equally, to avoid unwanted tweak.



SIDE SPRINGS

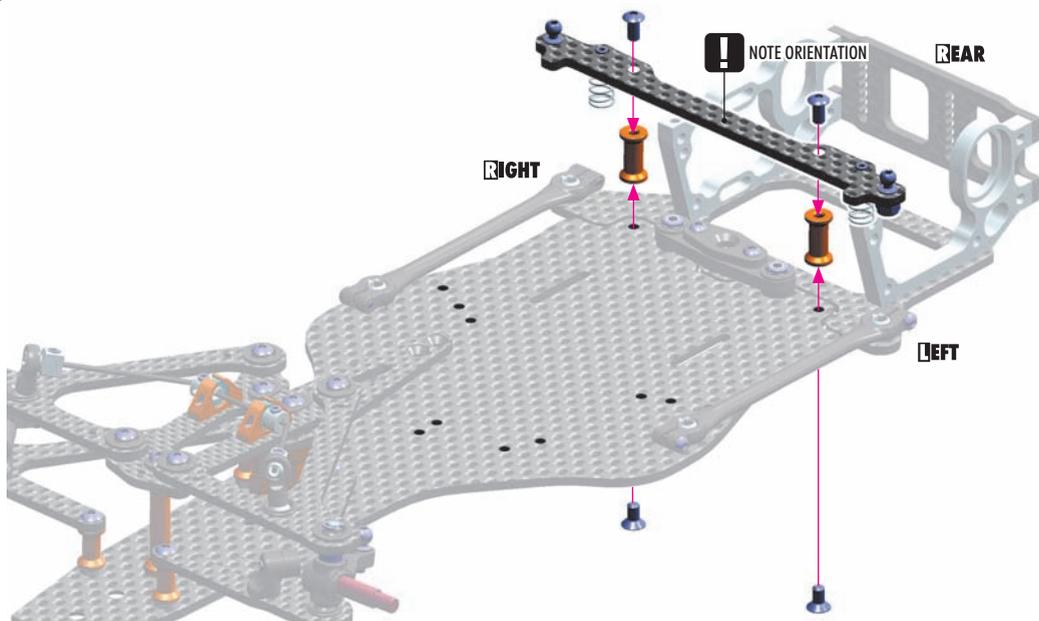
OPTION	#	C	COLOR	STATUS
	#373584	C=0.6	SILVER	OPTION
	#373585	C=0.9	GOLD	INCLUDED
	#373586	C=1.2	BLACK	OPTION
	#373587	C=1.5	SILVER	OPTION
	#373588	C=1.8	GOLD	OPTION

SOFTER SPRINGS:

Makes the car easier to drive on low-traction tracks but more difficult to drive on high-traction tracks.

HARDER SPRINGS:

Improves steering response, but also increases traction rolling.



## 2. REAR SUSPENSION



902306  
SH M3x6



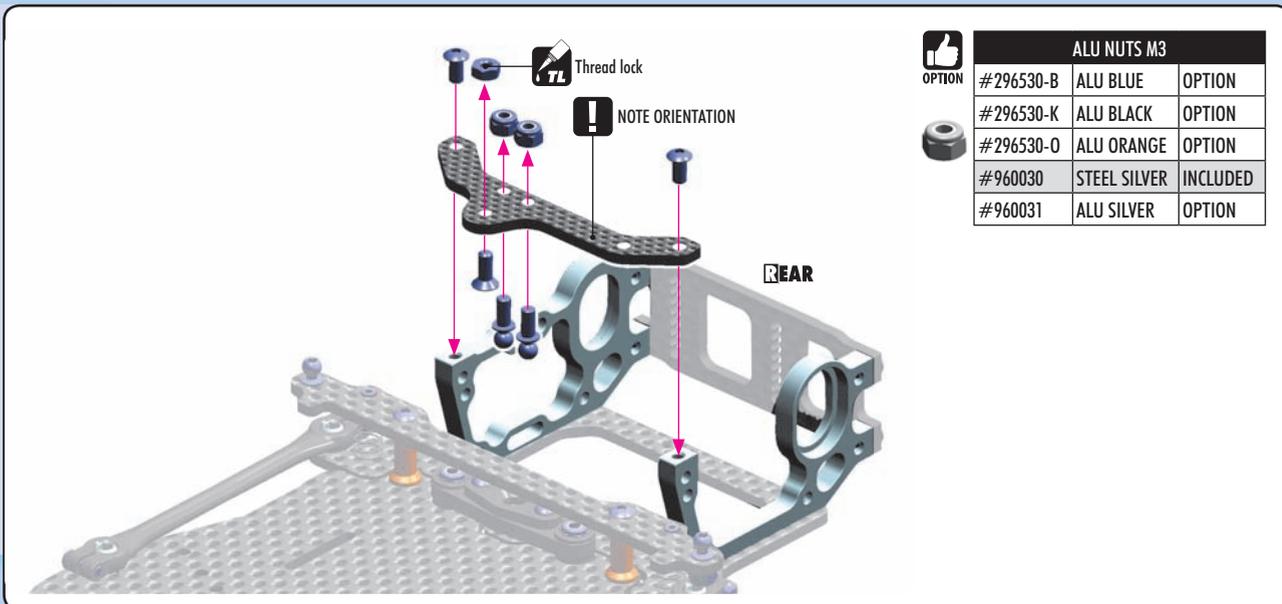
903308  
SFH M3x8



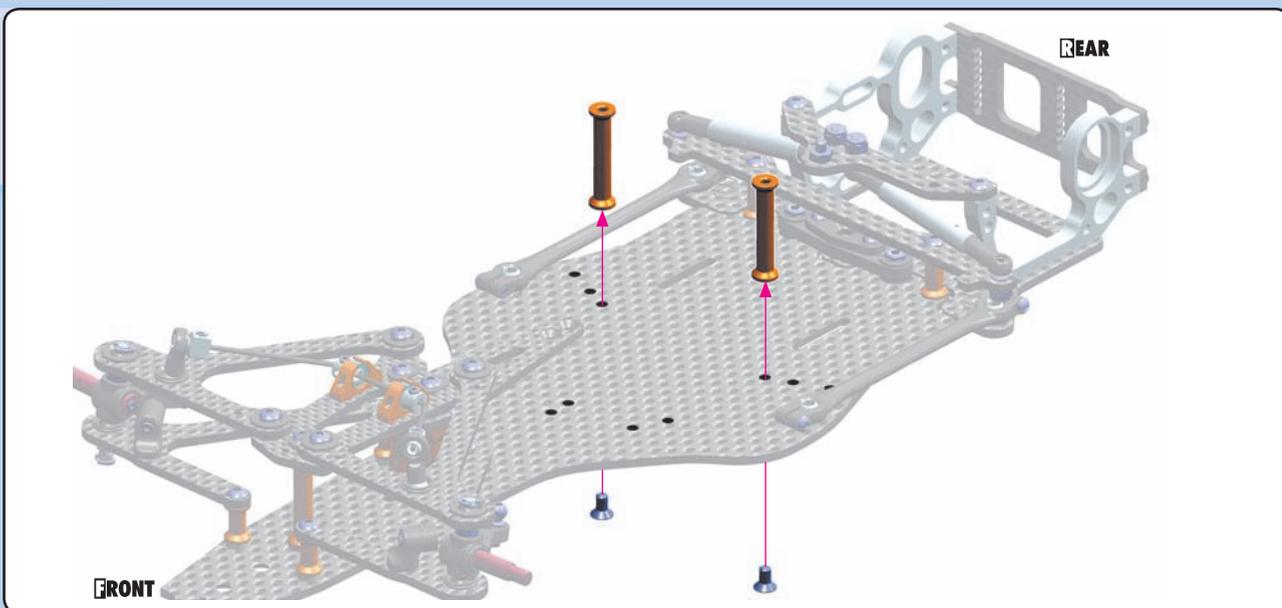
960030  
N M3



960032  
N M3



903306  
SFH M3x6



902306  
SH M3x6



902308  
SH M3x8



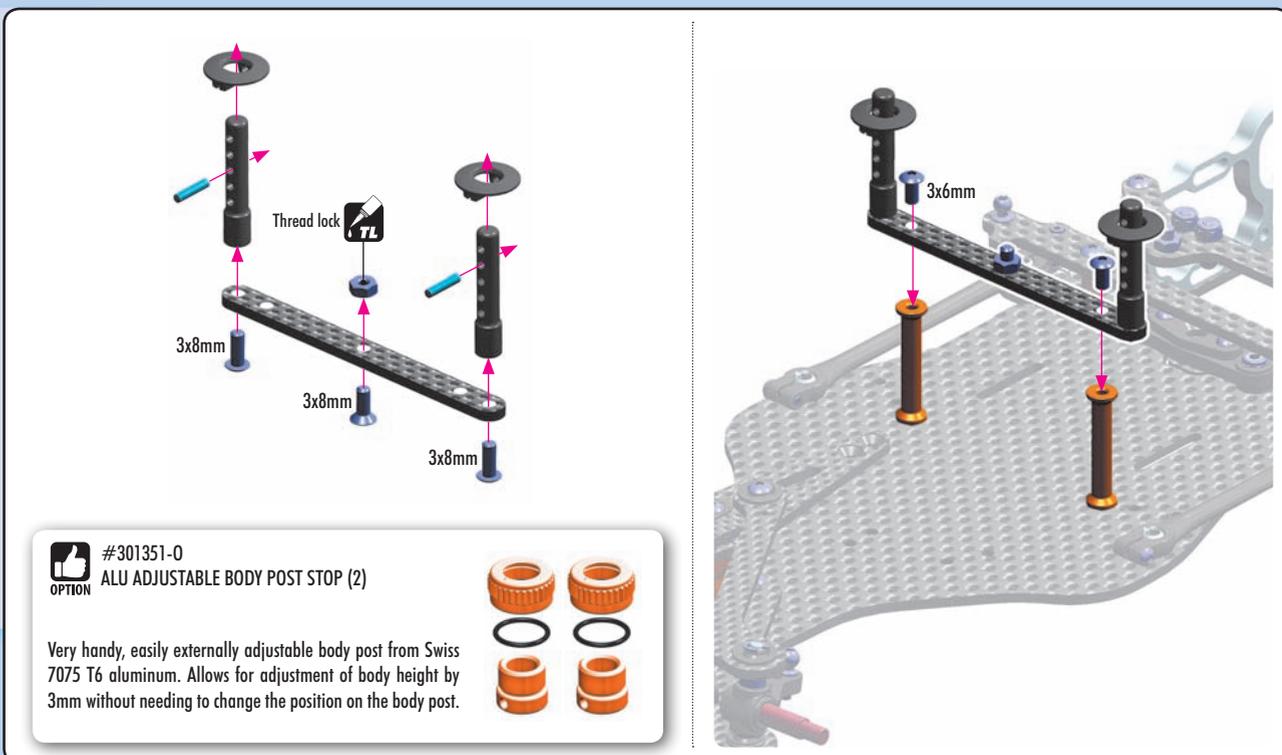
903308  
SFH M3x8



981210  
P 2x10

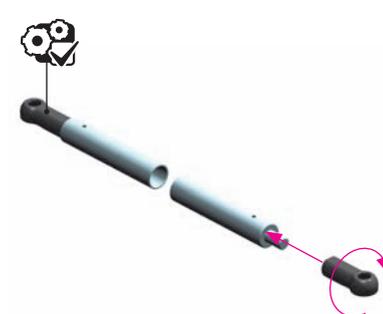


960032  
N M3

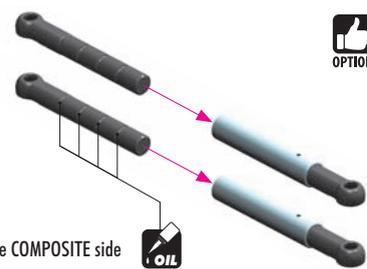


## 2. REAR SUSPENSION

**2x**



**2x**



Add oil in each slot of the COMPOSITE side shock tubes.

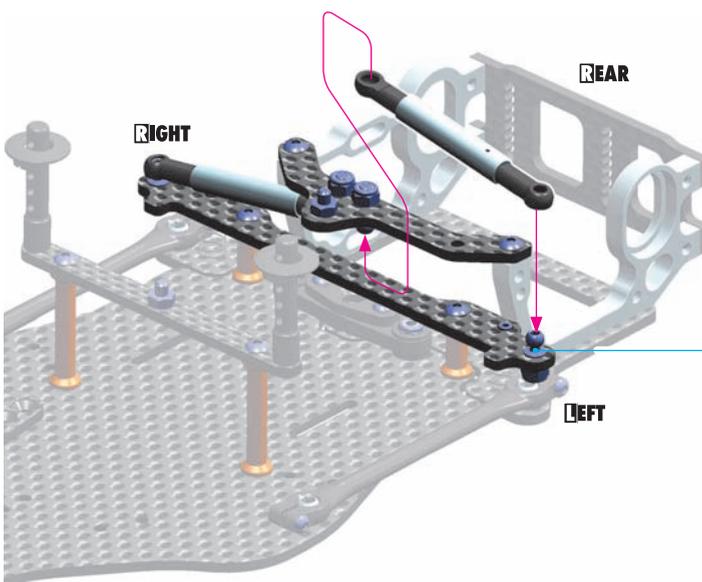
**NOTE:**  
Add oil only in the slots, not on the whole tube.  
After assembling the side tubes, check for smooth operation.  
It is very important to re-oil the side tubes, at least once per race day.  
You may use different oil thicknesses depending on track conditions.

**TIP**

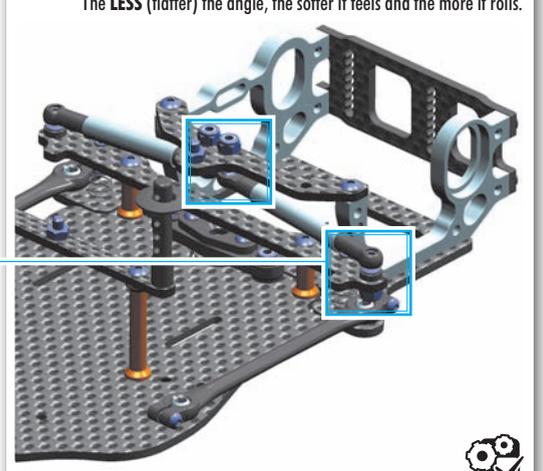
For HIGH grip	use SOFTER oils
For LOW grip or ASPHALT	use HARDER oils

**OPTION**

HUDY OILS		
#106510	10000cSt	INCLUDED
#106515	15000cSt	OPTION
#106520	20000cSt	OPTION
#106530	30000cSt	OPTION
#106540	40000cSt	OPTION
#106550	50000cSt	OPTION



**TIP** The angle of the side tubes has a fine effect on car performance. The angle is adjusted with shims between the pivot ball and the rear brace and/or upper plate. The **HIGHER** the angle, the stiffer it feels and the less it rolls. The **LESS** (flatter) the angle, the softer it feels and the more it rolls.

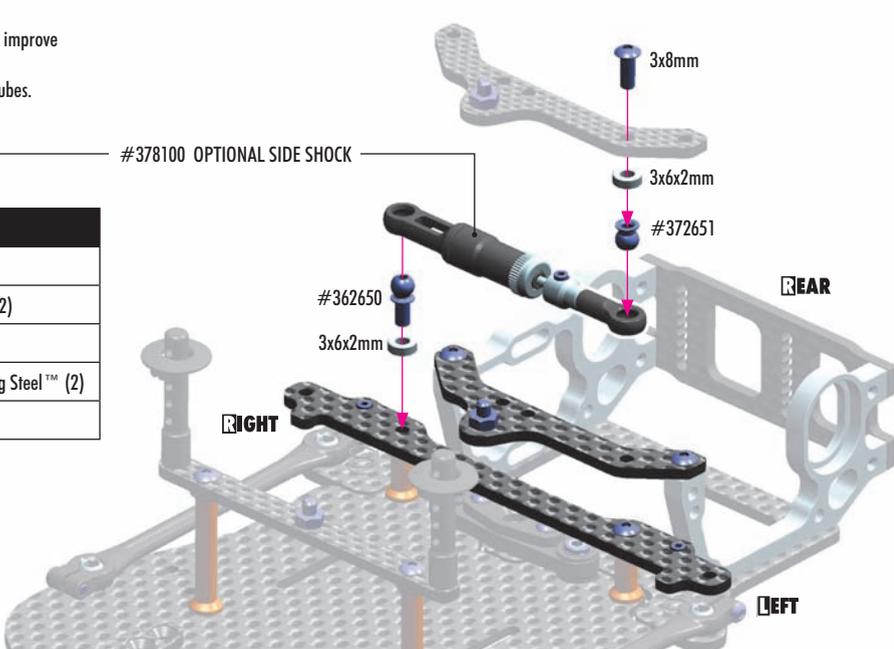


**OPTION**

**OPTIONAL SIDE SHOCK**

#378100 - Optional side shock can be used to improve traction in low- and medium-grip conditions. The optional side shock REPLACES the 2 side tubes.

OPTIONAL PARTS (NOT INCLUDED)	
#378100	Side Shock Absorber Set
#362650	Ball End 4.9mm with Thread 6mm (2)
#303123-0	Alu Shim 3x6x2.0mm - Orange (10)
#372651	Ball Universal 4.9mm - HUDY Spring Steel™ (2)
#902308	Hex Screw SH M3x8 (10)



# 3. BALL DIFFERENTIAL

**#930230**  
CERAMIC BALL 3.175mm (12)  
OPTION



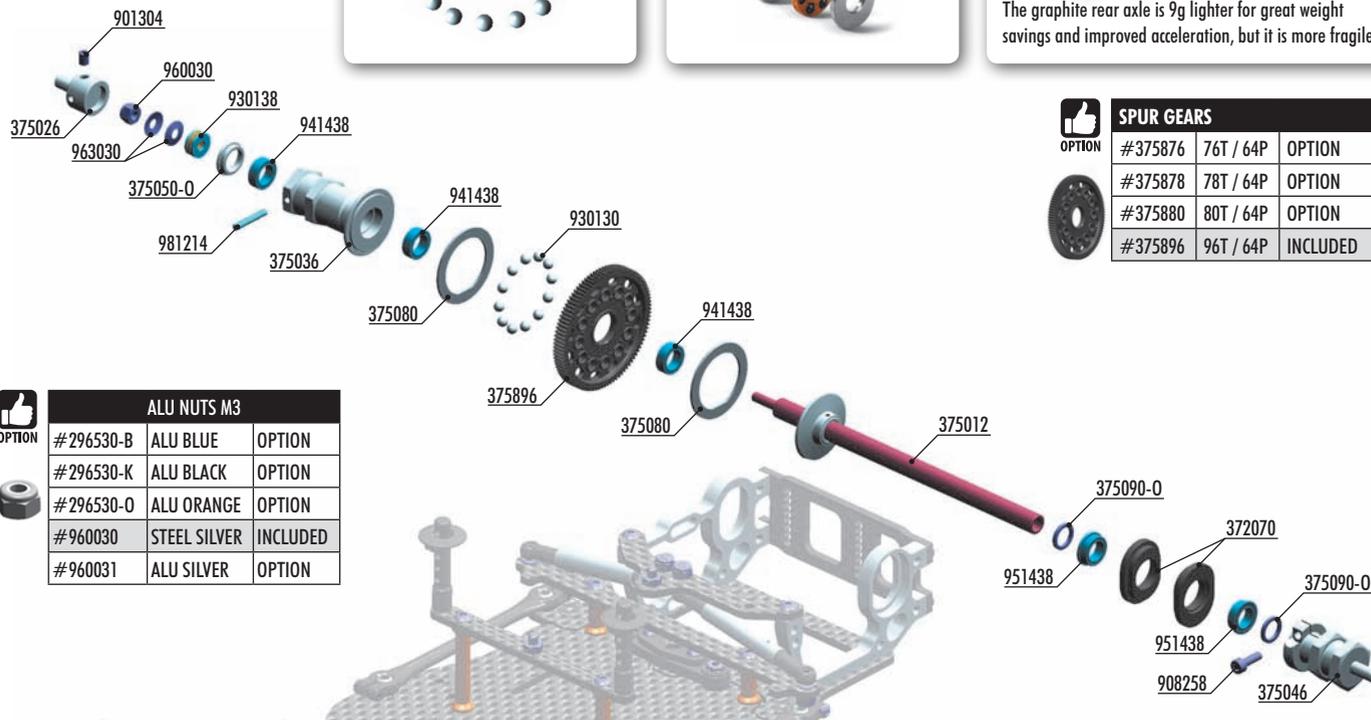
**#930238**  
CERAMIC BALL-BEARING AXIAL  
F3-8 3x8x3.5mm  
OPTION



**#375010**  
GRAPHITE REAR AXLE SHAFT  
OPTION



The graphite rear axle is 9g lighter for great weight savings and improved acceleration, but it is more fragile.



OPTION	SPUR GEARS		
#375876	76T / 64P	OPTION	
#375878	78T / 64P	OPTION	
#375880	80T / 64P	OPTION	
#375896	96T / 64P	INCLUDED	

OPTION	ALU NUTS M3		
#296530-B	ALU BLUE	OPTION	
#296530-K	ALU BLACK	OPTION	
#296530-O	ALU ORANGE	OPTION	
#960030	STEEL SILVER	INCLUDED	
#960031	ALU SILVER	OPTION	

**BAG**

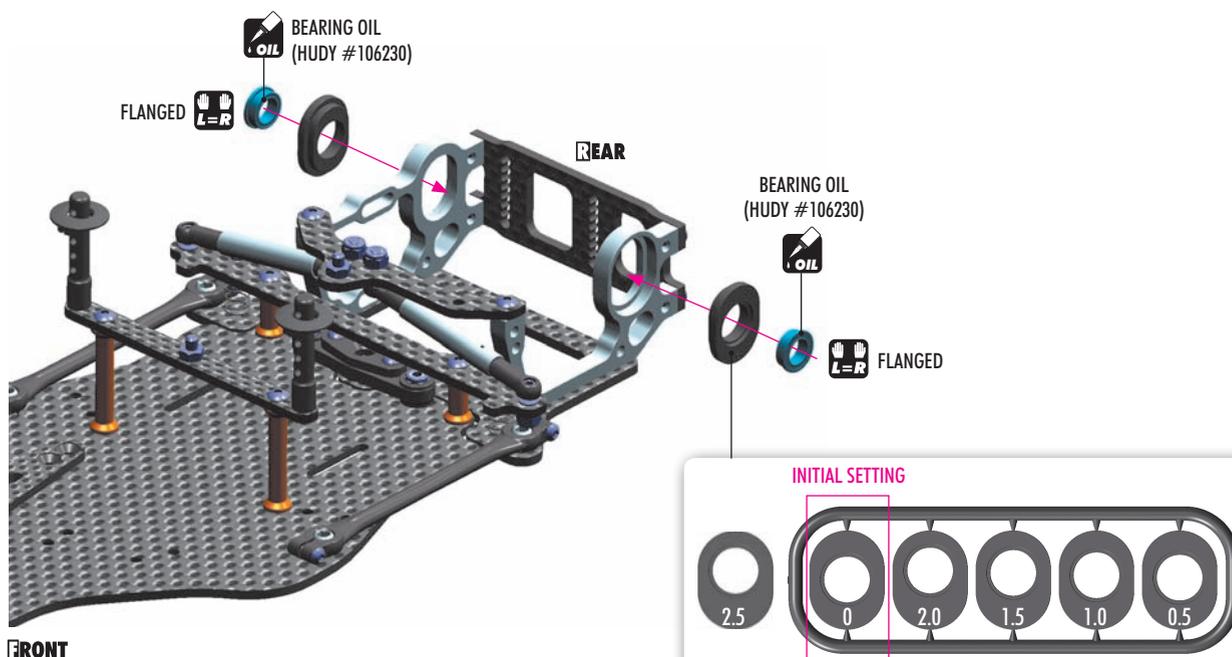
**03**

- 37 2070 COMPOSITE RIDE HEIGHT ADJUSTER SET - V2 (2)
- 37 5010 REAR AXLE SHAFT - GRAPHITE - V3 (OPTION)
- 37 5012 STEEL REAR AXLE SHAFT - HUDY SPRING STEEL™
- 37 5026 X1 ALU REAR DRIVE AXLE - RIGHT
- 37 5036 X1 ALU REAR WHEEL HUB - RIGHT
- 37 5046 X1 ALU REAR WHEEL HUB - LEFT
- 37 5050-O ALU DIFF HUB - ORANGE
- 37 5080 D-LOCK DIFF PLATE (2)
- 37 5090-O SET OF ALU SHIMS 6.37x8.4MM (0.5MM, 1.0MM, 2.0MM) - ORANGE
- 37 5896 COMPOSITE SPUR GEAR - 96T / 64P

- 90 1304 HEX SCREW SB M3x4 (10)
- 90 8258 HEX SCREW SOCKET HEAD CAP M2.5x8 (10)
- 93 0130 CARBIDE BALL 3.175MM (12)
- 93 0138 CARBIDE BALL-BEARING AXIAL F3-8 3x8x3.5 - V2
- 93 0230 CERAMIC BALL 3.175MM (12) (OPTION)
- 93 0238 CERAMIC BALL-BEARING AXIAL F3-8 3x8x3.5 (OPTION)
- 94 1438 HIGH-SPEED BALL-BEARING 1/4"x3/8"x1/8" RUBBER SEALED (2)
- 95 1438 BALL-BEARING 1/4" x 3/8" x 1/8" FLANGED (2)
- 96 0030 NUT M3 (10)
- 96 3030 CONE WASHER ST 3x8x0.5 (10)
- 98 1214 PIN 2x14 (10)



951438  
BB 1/4"x3/8"x1/8"



These eccentric bushings adjust the **RIDE HEIGHT** of the rear pod. Make sure to use the **SAME** eccentric bushings on **BOTH** sides.

# 3. BALL DIFFERENTIAL

375090-0  
SHIM 6.4x8.4x1.0

908258  
SCH M2.5x8

Use additional shims to widen the rear track-width. Use the same shims on both sides. For initial assembly use 6.4x8.4x1mm shims.

**! IMPORTANT**

The axle must have a VERY small amount of side play. If there is no side play, the axle may bind and damage the ball-bearings.

**#375010**  
OPTION GRAPHITE REAR AXLE SHAFT

The graphite rear axle is 9g lighter for great weight savings and improved acceleration, but it is more fragile.

930130  
B 3.1

930138  
BA 3x8

941438  
BB 1/4"x3/8"x1/8"

960030  
N M3

963030  
ST 3x8

DIFF GREASE (HUDY #106211)

BEARING OIL (HUDY #106230)

NOTE ORIENTATION

3.2mm 3.0mm

8.0mm 7.8mm

DIFF GREASE

NOTE ORIENTATION

NOTE ORIENTATION

**#930230**  
OPTION CERAMIC BALL 3.175MM (12)

**#930238**  
OPTION CERAMIC BALL-BEARING AXIAL F3-8 3X8X3.5

**! This nut affects the tightness and stiffness of the rear differential. Tighten the nut gently so the diff does not slip under power, but do not overtighten or the diff balls and/or plates may be damaged.**

901304  
SB M3x4

981214  
P 2x14

DETAIL STEP 4 CUTAWAY VIEW

1 Thread the set-screw deep enough into the wheel adaptor so it does not protrude.

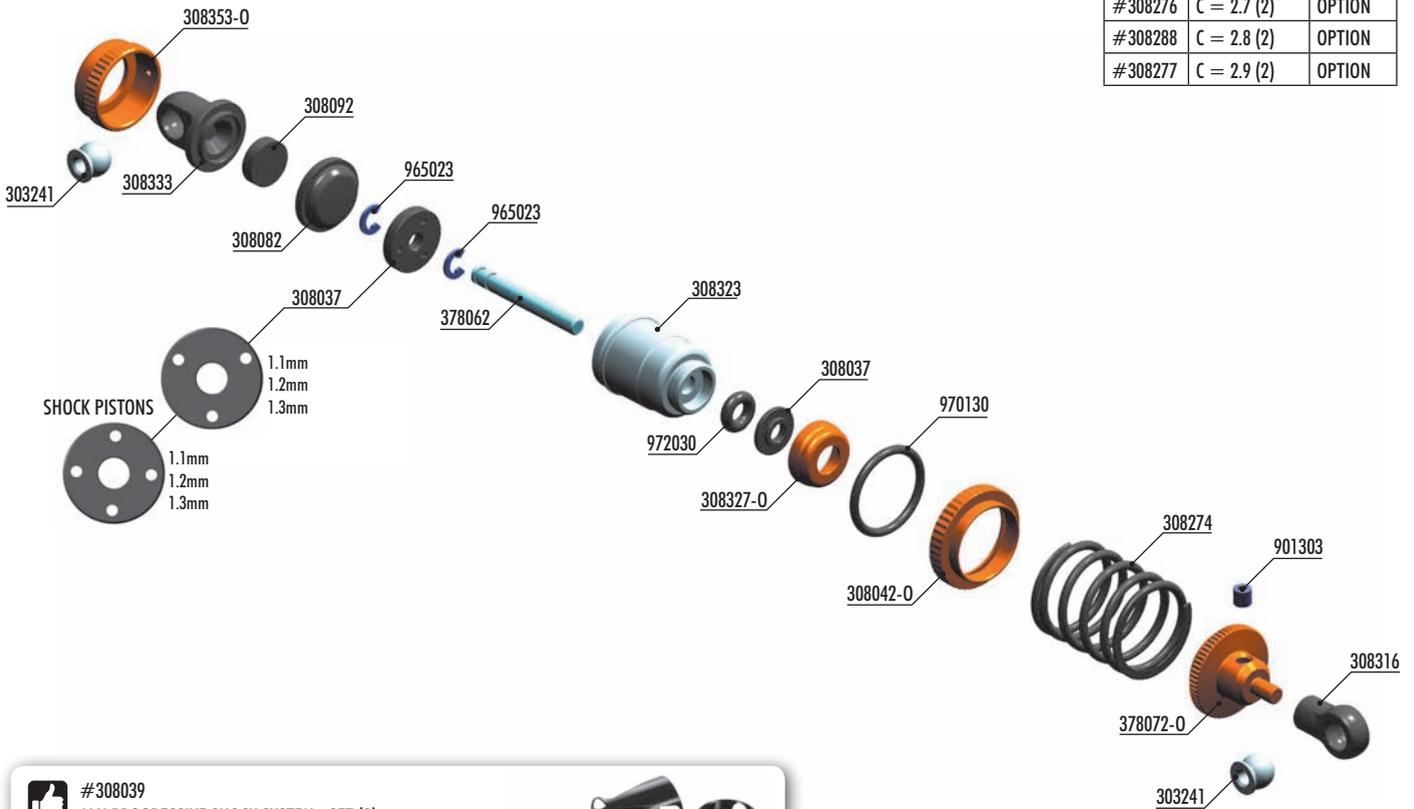
4 Tighten fully.

NOTE ORIENTATION

# 4. CENTER SHOCK



XRAY SPRINGS		
#308263	C = 2.3-2.6 (2)	OPTION
#308264	C = 2.5-2.8 (2)	OPTION
#308274	C = 2.3 (2)	INCLUDED
#308275	C = 2.5 (2)	OPTION
#308286	C = 2.6 (2)	OPTION
#308276	C = 2.7 (2)	OPTION
#308288	C = 2.8 (2)	OPTION
#308277	C = 2.9 (2)	OPTION



## #308039 ALU PROGRESSIVE SHOCK SYSTEM - SET (2)

Progressive shock system for improved traction and steering characteristics. Shock insert has 3 triangle cuts and is used with piston without holes. The hardness of the shock is influenced not by the holes in the piston, but rather by the insert.



### BAG

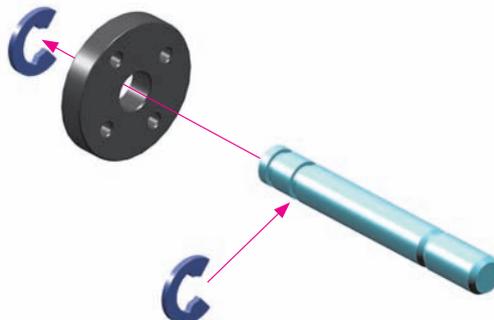
04

- 30 3241 BALL UNIVERSAL 5.8 MM HEX (4)
- 30 8037 COMPOSITE PISTONS 4-HOLE 1.0-1.2MM, 3-HOLE 1.0-1.2MM
- 30 8042-0 ALU SHOCK ADJUSTABLE NUT - ORANGE (2)
- 30 8082 SHOCK ABSORBER MEMBRANE (4)
- 30 8092 SHOCK FOAM INSERTS (4)
- 30 8316 SHOCK BALL JOINT - OPEN (4)
- 30 8323 ALU XRAY SHOCK BODY (2)
- 30 8327-0 ALU CAP FOR XRAY SHOCK BODY - ORANGE
- 30 8333 COMPOSITE SHOCK PARTS FOR ALU SHOCKS

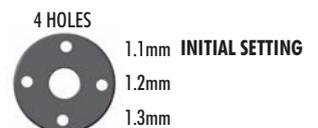
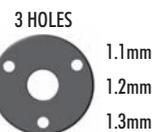
- 30 8353-0 T4 ALU SHOCK CAP-NUT WITH VENT HOLE - ORANGE (2)
- 30 8274 XRAY SPRING-SET C=2.3
- 37 8062 X1'17 SHOCK SHAFT
- 37 8072-0 X1'17 ALU SHOCK SPRING COLLAR - ORANGE
- 90 1303 HEX SCREW SB M3x3 (10)
- 96 5023 E-CLIP 2.3 (10)
- 97 0130 O-RING 13 x 1.5 (10)
- 97 2030 SILICONE O-RING 3 x 2 (10)



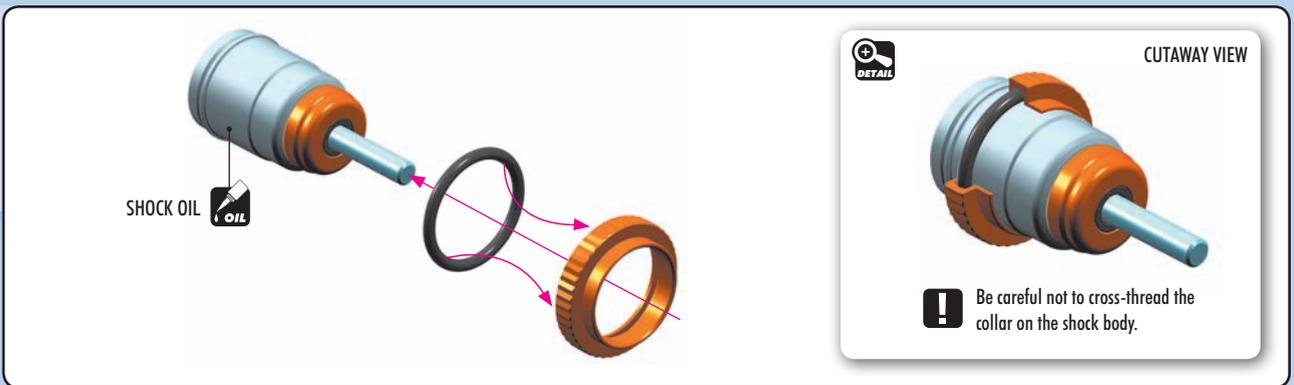
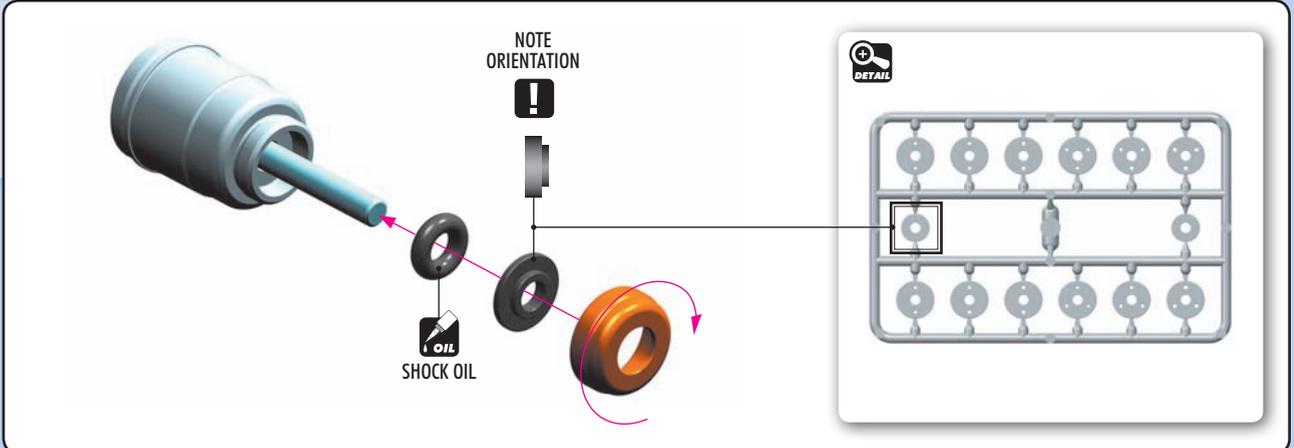
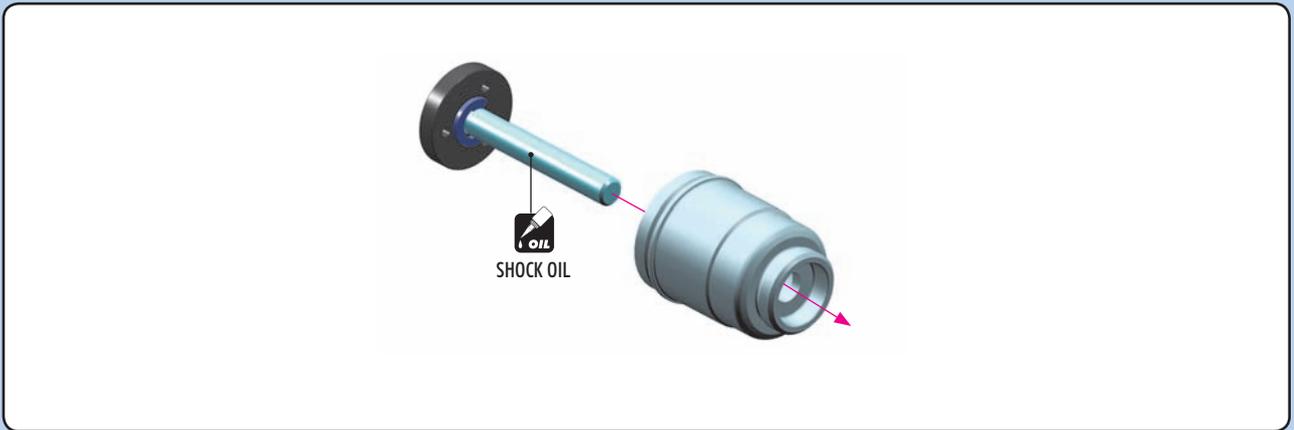
965023  
C23



### SHOCK PISTON ADJUSTMENT



# 4. CENTER SHOCK



## SHOCK FILLING

### SOFTER OIL

Recommended for bumpy and low-traction tracks, generates more traction.

### HARDER OIL

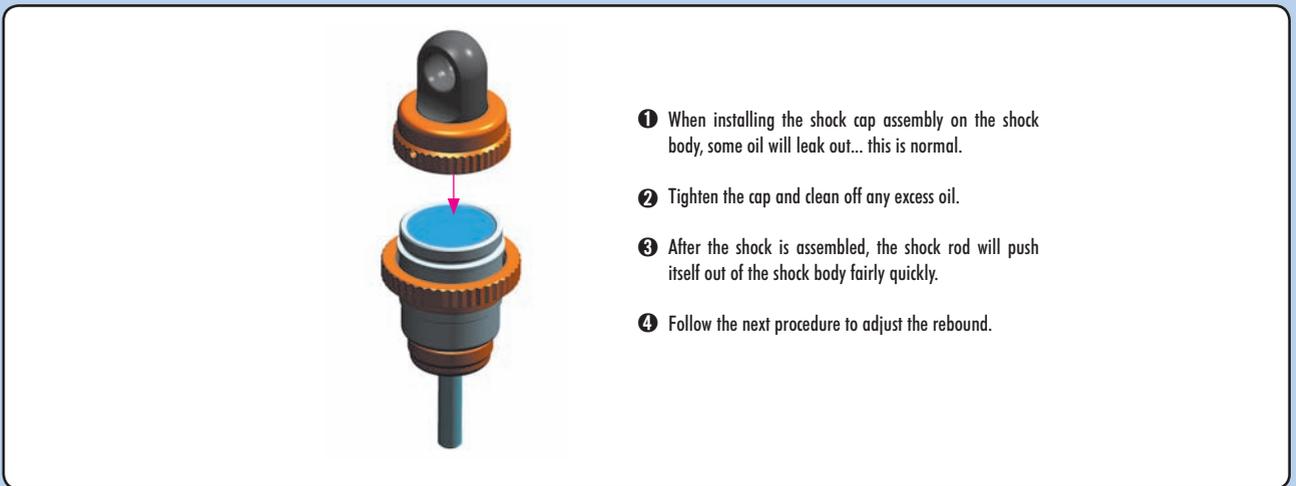
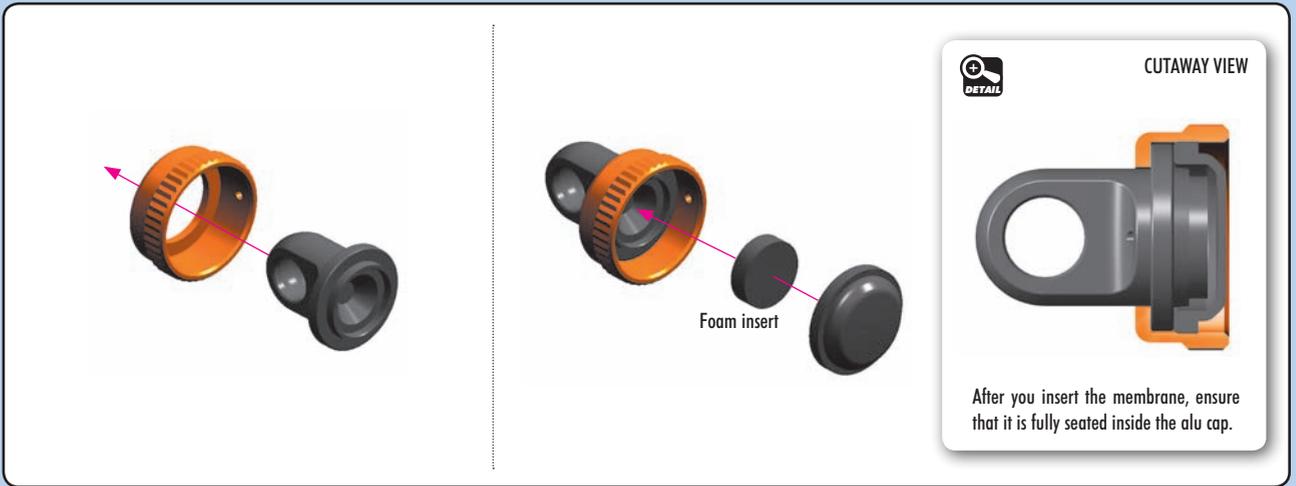
Recommend for flat and higher traction tracks, improves steering response.



SHOCK OILS	
# 106310	100cSt
# 106315	150cSt
# 106320	200cSt
# 106325	250cSt
# 106330	300cSt
# 106335	350cSt
# 106340	400cSt
# 106345	450cSt
# 106350	500cSt
# 106355	550cSt
INITIAL SETTING # 106360	600cSt
# 106365	650cSt
# 106370	700cSt
# 106375	750cSt
# 106380	800cSt
# 106390	900cSt
# 106410	1000cSt
# 106420	2000cSt

- 1 Fully extend the piston rod so the piston is at the bottom of the shock body.
- 2 Hold the shock upright and slightly overfill the shock body with shock oil.
- 3 Let the oil settle and allow air bubbles to rise to the top. Slowly move the piston up and down to allow oil into all cavities within the shock body.
- 4 Extend the piston rod most of the way out of the shock body. Let the shock rest for 5 minutes to allow the air bubbles to escape.
- 5 Add shock oil as necessary.

## 4. CENTER SHOCK



### REBOUND ADJUSTMENT

RELEASE 2-3 turns

1

2

TIGHTEN FULLY

3

**AFTER THE SHOCK IS ASSEMBLED YOU HAVE TO SET THE SHOCK REBOUND:**

- 1 Release the shock cap by 2-3 turns.
- 2 Push the shock shaft fully up. For the first time the extra oil will release through the hole in the alu cap-nut.
- 3 Tighten the shock cap. When tightening the shock cap, extra oil will again release through the hole in the alu cap - nut. When tightening, the shock shaft will push out from the shock body.

### REBOUND CHECK

**REBOUND CHECK:**

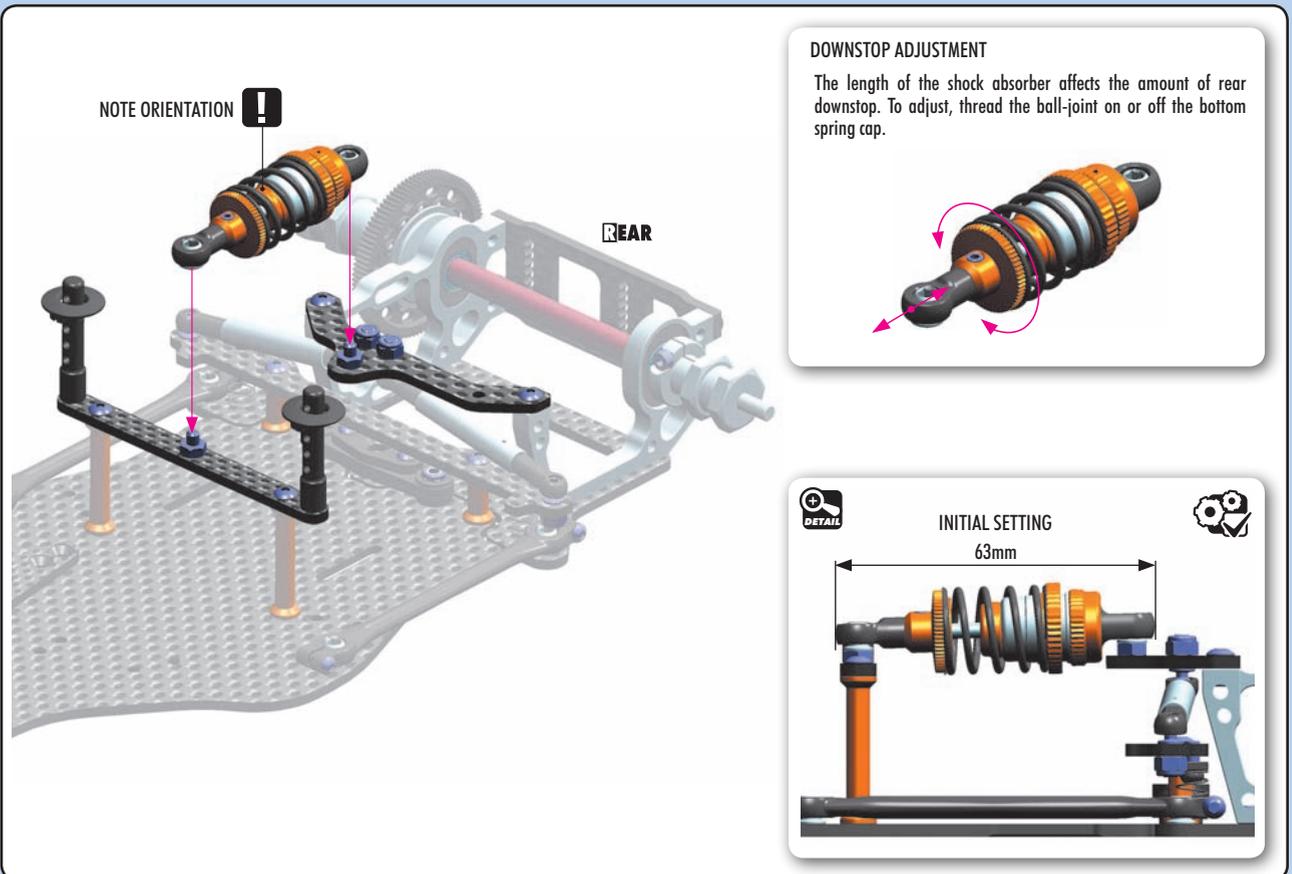
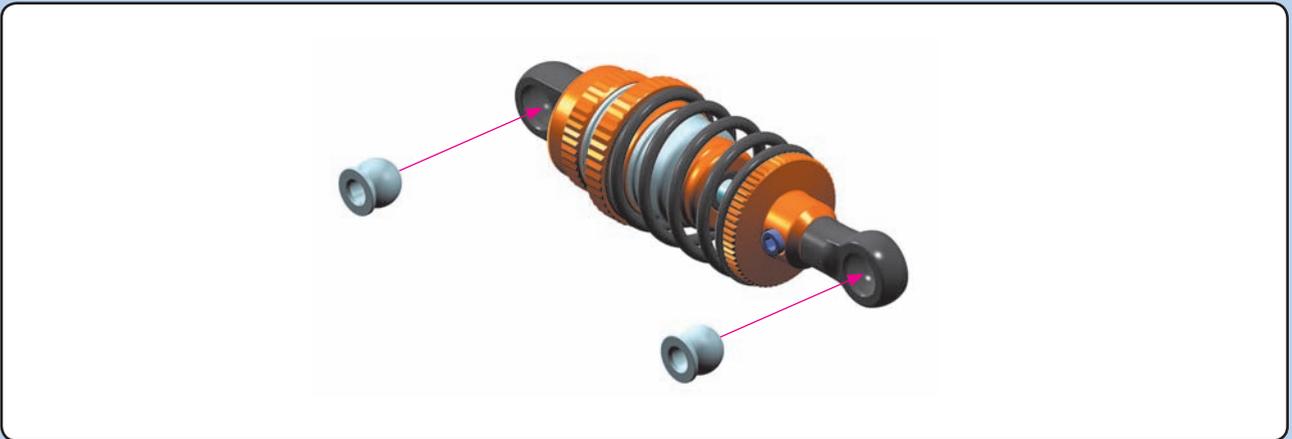
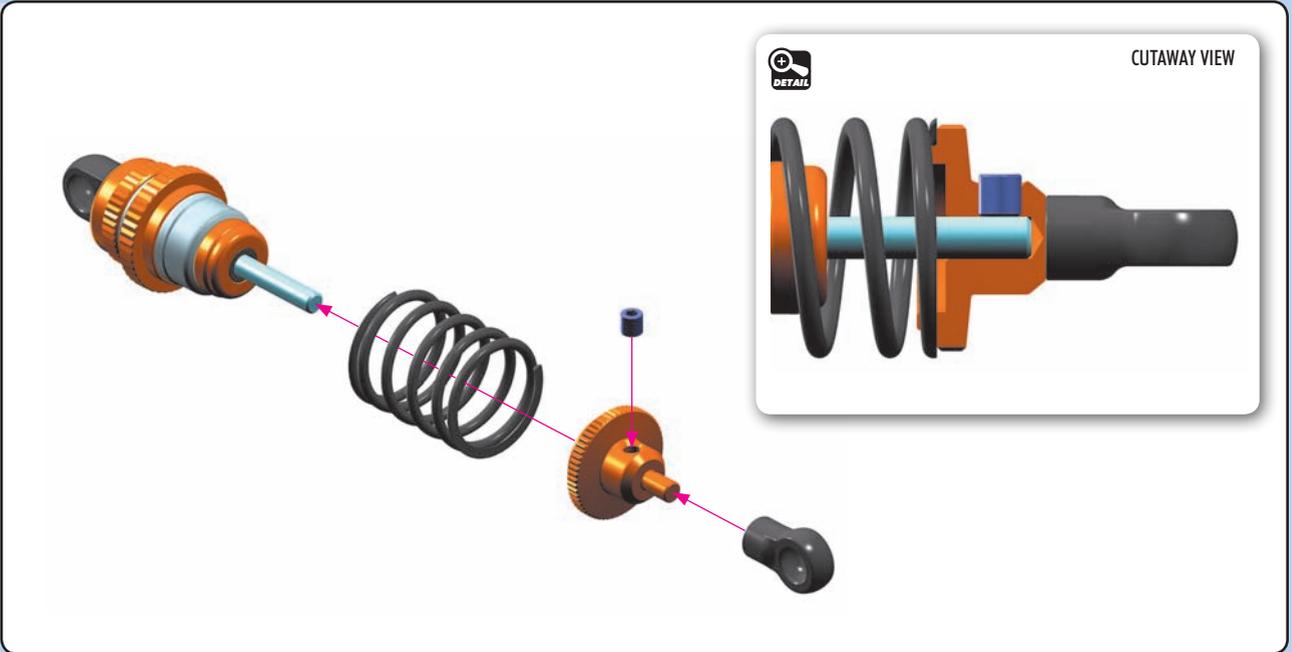
It is very important to push the shock shaft into the shock body slowly otherwise air can come into the shock body which would create bubbles.

100% rebound - do not do step 2 and 3  
 75% rebound - repeat step 2 and 3 until the shock shaft will push out 75% of its length  
 50% rebound - repeat step 2 and 3 until the shock shaft will push out 50% of its length  
 25% rebound - repeat step 2 and 3 until the shock shaft will push out 25% of its length  
 0% rebound - repeat step 2 and 3 until the shock shaft will push out 0% of its length

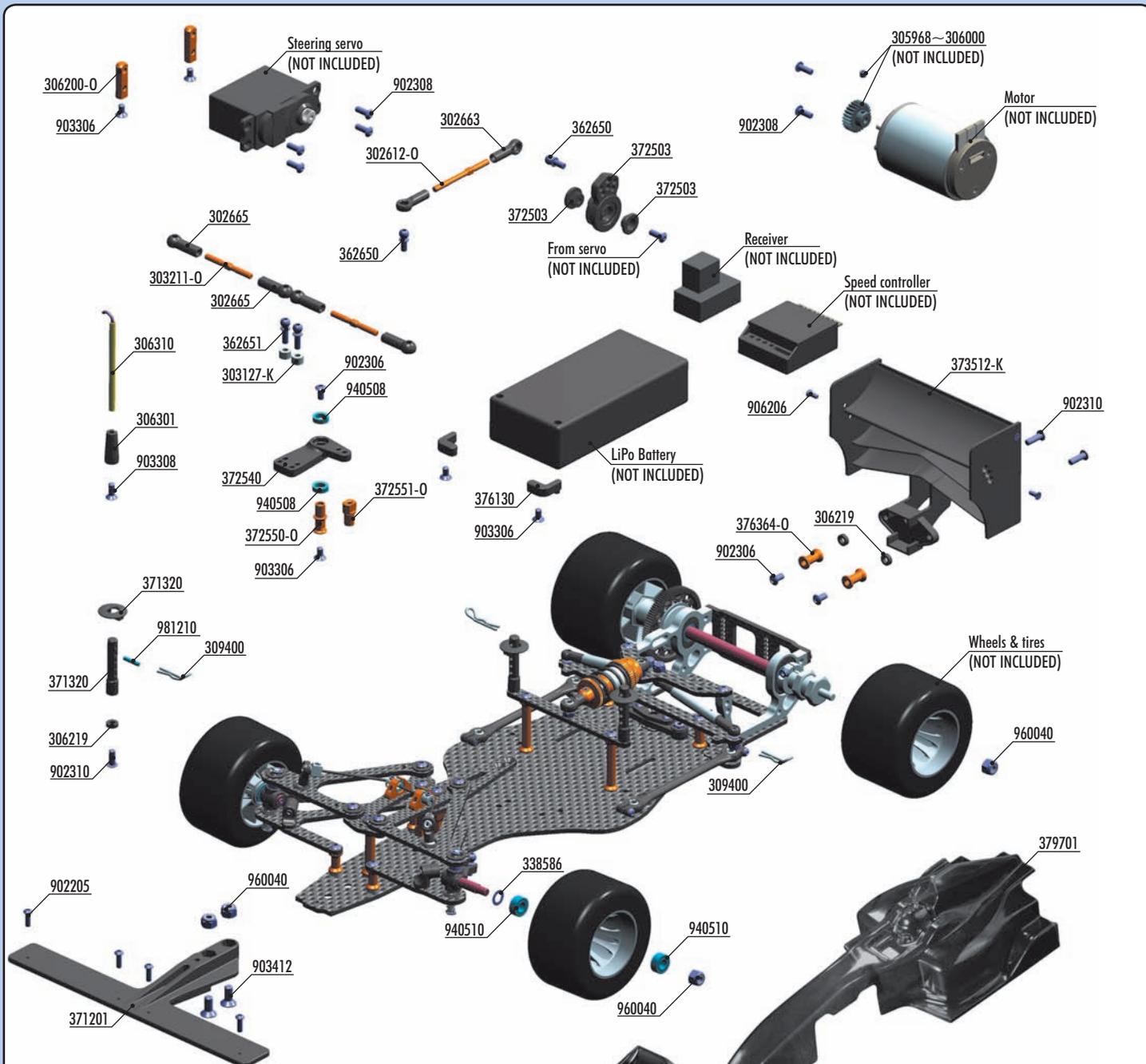
If the shock shaft does not rebound enough, you will have to refill the shock with shock oil, and then repeat the bleeding and rebound adjustment procedure.

# 4. CENTER SHOCK

901303  
SB M3x3



# 5. FINAL ASSEMBLY



-  #372541 ALU ADJUSTABLE SERVO SAVER SET
- #371202 X1 COMPOSITE ADJUSTABLE FRONT AERO WING - ETS APPROVED
- #371290 X1 ALU BODY POST PLATE
- #373511-K X1 COMPOSITE REAR WING - BLACK
- #373513-K X1 COMPOSITE ADJUSTABLE REAR WING - BLACK - ETS APPROVED

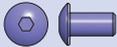


30 2612-0	ALU ADJ. TURNBUCKLE M3 L/R 39 MM - ORANGE - SWISS 7075 T6 (2)	37 2550-0	X1 ALU STEERING PIVOT SHAFT
30 2663	COMPOSITE BALL JOINT 4.9MM - OPEN - V2 (8)	37 2551-0	ALU STEERING PIVOT SHAFT - SHORT
30 2665	COMPOSITE BALL JOINT 4.9MM - CLOSED WITH HOLE (4)	37 3512-K	X1 COMPOSITE ADJUSTABLE REAR WING - BLACK
30 3127-K	ALU SHIM 3x6x4.0MM - BLACK (10)	37 6130	COMPOSITE LiPo BATTERY BACKSTOP (2)
30 3211-0	ALU ADJ. TURNBUCKLE L/R 30 MM - SWISS 7075 T6 (2)	37 6364-0	ALU MOUNT 10.8MM - ORANGE (2)
305968~306000	PINION GEAR HARDCOATED 18~50T/64P (OPTION)	37 9701	XRAY X1 BODY FOR 1/10 FORMULA
30 6200-0	ALU SERVO MOUNT - ORANGE (2)	90 2205	HEX SCREW SH M2x5 (10)
30 6219	COMPOSITE SET OF SERVO SHIMS (4)	90 2306	HEX SCREW SH M3x6 (10)
30 6301	ANTENNA MOUNT - THIN	90 2308	HEX SCREW SH M3x8 (10)
30 6310	ANTENNA (2)	90 2310	HEX SCREW SH M3x10 (10)
30 9400	BODY CLIP (8)	90 3306	HEX SCREW SFH M3x6 (10)
33 8586	SHIM 5x7x0.5 (10)	90 3308	HEX SCREW SFH M3x8 (10)
36 2650	BALL END 4.9MM WITH THREAD 6MM (2)	90 3412	HEX SCREW SFH M4x12 (10)
36 2651	BALL END 4.9MM WITH THREAD 8MM (2)	90 6206	SCREW PHILLIPS FH 2.2x6 (10)
37 1201	X1 COMPOSITE FRONT BUMPER	94 0508	HIGH-SPEED BALL-BEARING 5x8x2.5 RUBBER SEALED (2)
37 1250	X1 LEXAN FRONT SPOILER (2)	94 0510	HIGH-SPEED BALL-BEARING 5x10x4 RUBBER SEALED (2)
37 1320	COMPOSITE BODY POST (2)	96 0040	NUT M4 (10)
37 2503	COMPOSITE SERVO SAVER - X-STIFF - SET - V2	98 1210	PIN 2x10 (10)
37 2540	X1 COMPOSITE STEERING ARM		

# 5. FINAL ASSEMBLY



303127-K  
SHIM 3x6x4



902306  
SH M3x6



940508  
BB 5x8x2.5

## ALTERNATIVE 1

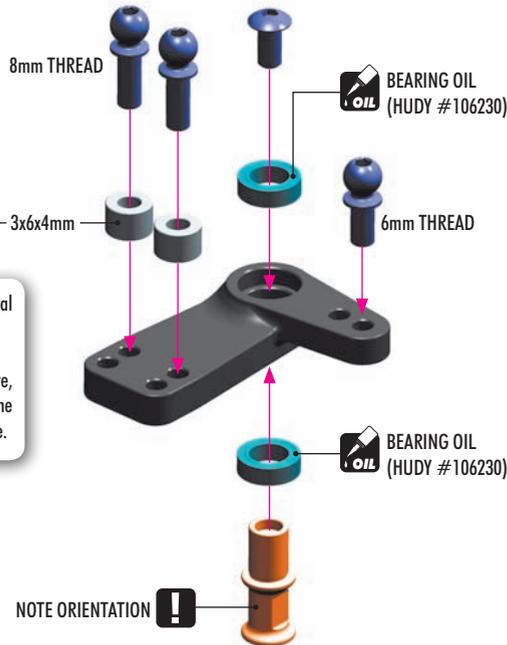
### STANDARD STEERING ARM MOUNTING

(INITIAL SETTING)

Standard steering mounting system provides maximum steering response and makes the car more precise.

These shims adjust the horizontal angle of the steering linkages.

When thicker shims are used here, in-corner steering increases, but the car becomes more difficult to drive.



The steering arm has two position for servo linkage mounting.

Always use this position ←  
INITIAL SETTING



INITIAL SETTING

There are two Ackermann positions on the steering arm.

**INNER** position: Less Ackermann, makes the car more responsive, improves in-corner steering.

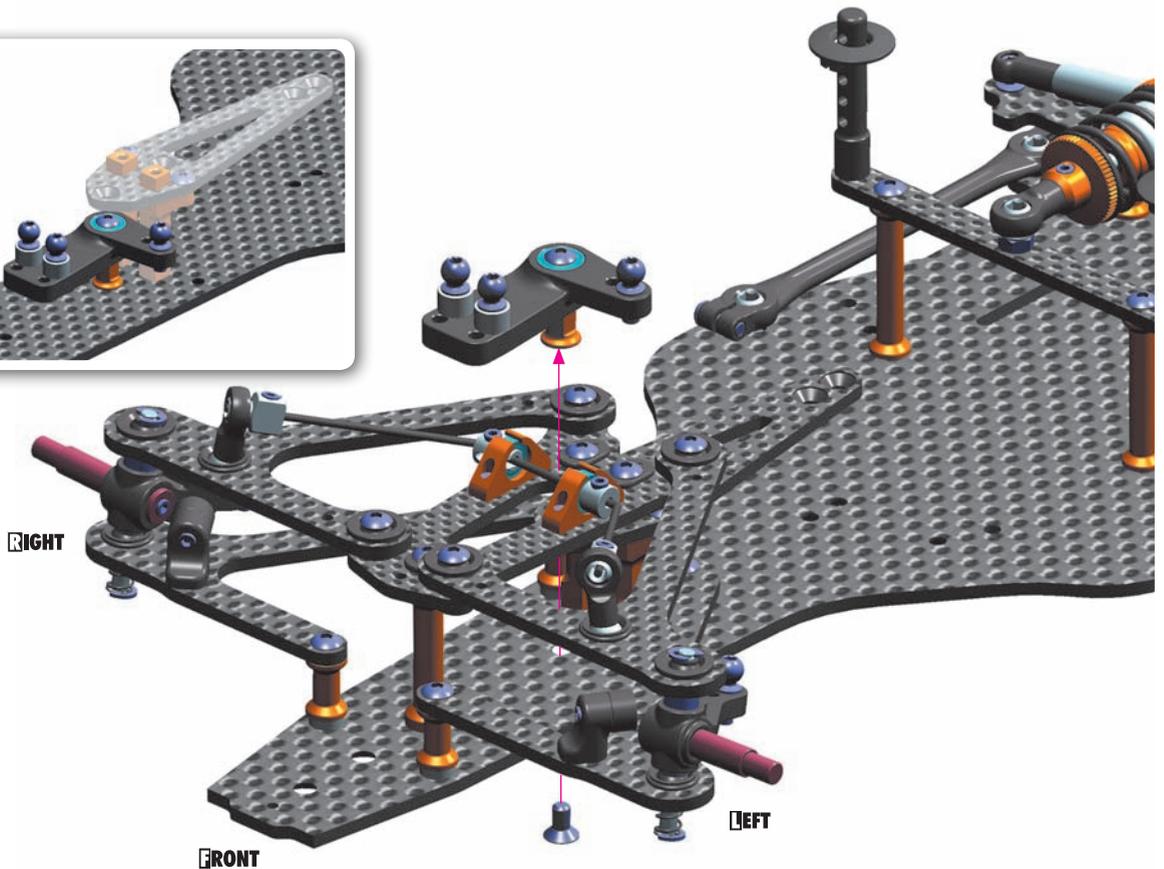
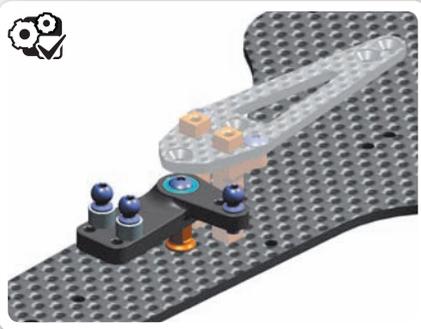
**OUTER** position: More Ackermann, makes the car easier to drive, improves cornering speed.



#372541 - ALU ADJUSTABLE SERVO SAVER SET

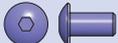


903306  
SFH M3x6





303127-K  
SHIM 3x6x4



902306  
SFH M3x6



940508  
BB 5x8x2.5

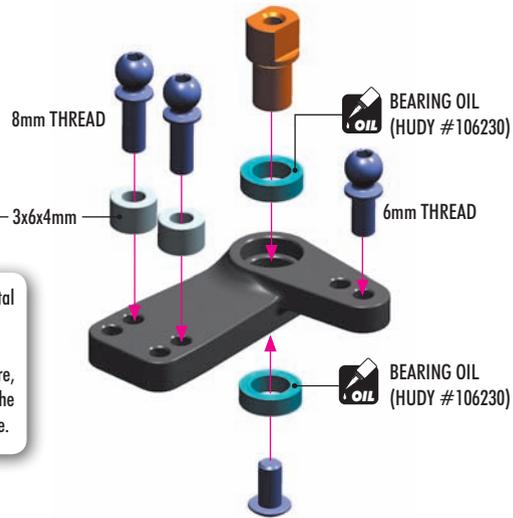
## ALTERNATIVE 2

### FLOATING STEERING ARM MOUNTING

Floating steering mounting system makes the car easier to drive over curbs and on bumpy tracks. Prevents the car to over steer.

These shims adjust the horizontal angle of the steering linkages.

When thicker shims are used here, in-corner steering increases, but the car becomes more difficult to drive.



The steering arm has two position for servo linkage mounting.

Always use this position

INITIAL SETTING



INITIAL SETTING

There are two Ackermann positions on the steering arm.

**INNER** position: Less Ackermann, makes the car more responsive, improves in-corner steering.

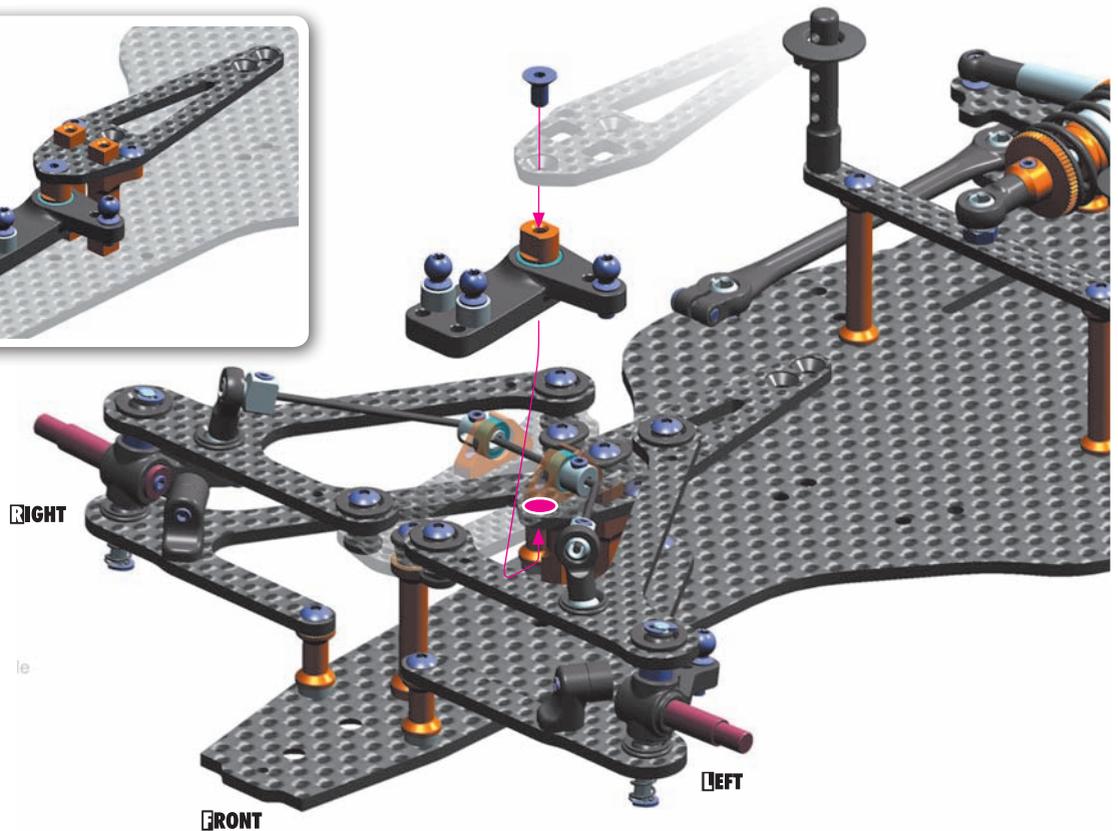
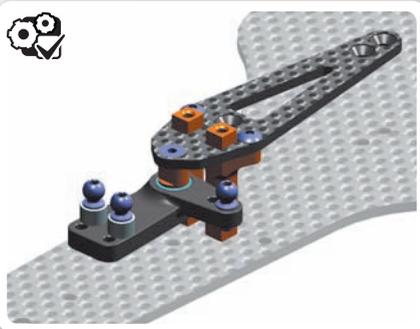
**OUTER** position: More Ackermann, makes the car easier to drive, improves cornering speed.



#372541 - ALU ADJUSTABLE SERVO SAVER SET



903306  
SFH M3x6



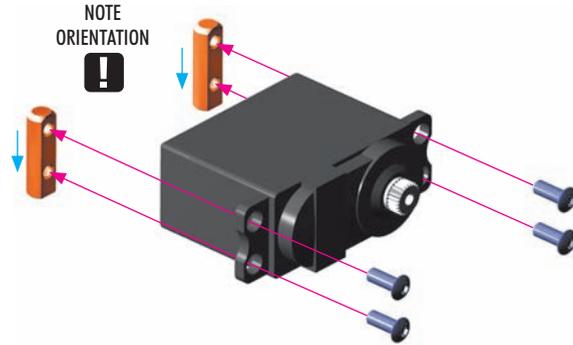
# 5. FINAL ASSEMBLY



902308  
SH M3x8

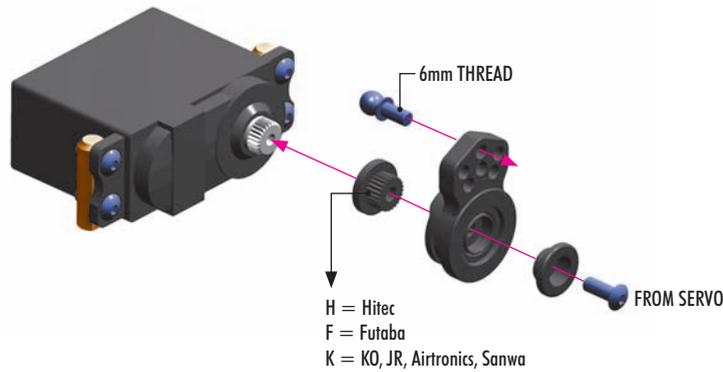
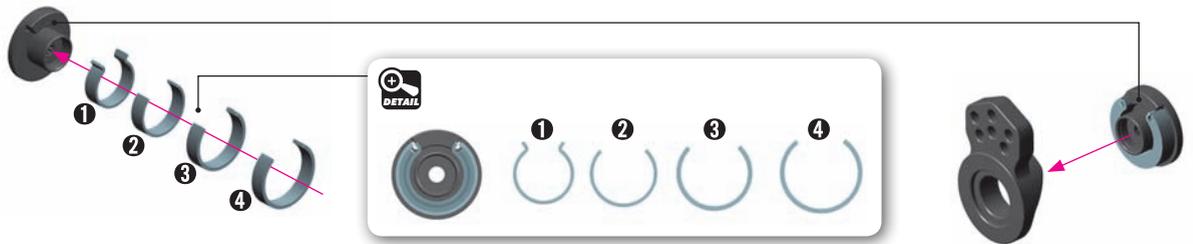
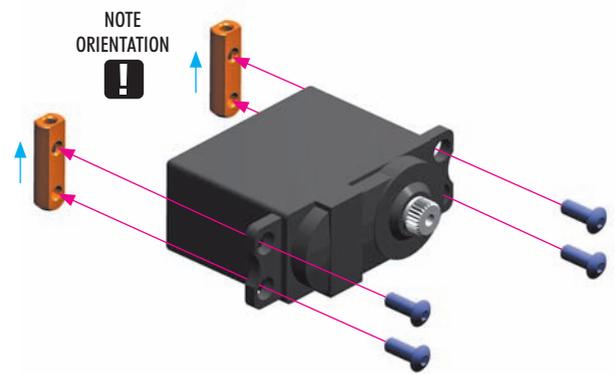
## ALTERNATIVE 1

STANDARD SERVO MOUNTING  
(INITIAL SETTING)



## ALTERNATIVE 2

FLOATING SERVO MOUNTING



### ALUMINUM SERVO HORNS:

For more in-camber steering and better steering response, an aluminum servo horn may be used. In this situation, the steering servo saver is NOT used.



OPTION

#### HUDY ALU SERVO HORNS - OFFSET

#293491	KO, JR, Sanwa, Airtronics - OFFSET - 23T
#293492	Hitec - OFFSET - 24T
#293493	Futaba - OFFSET - 25T



OPTION

#### HUDY ALU SERVO HORNS

#293501	KO, JR, Sanwa, Airtronics - 23T
#293502	Hitec - 24T
#293503	Futaba - 25T



### IMPORTANT!

Using an "Aluminum Servo Horns" increases the risk of servo breakage in serious crashes.



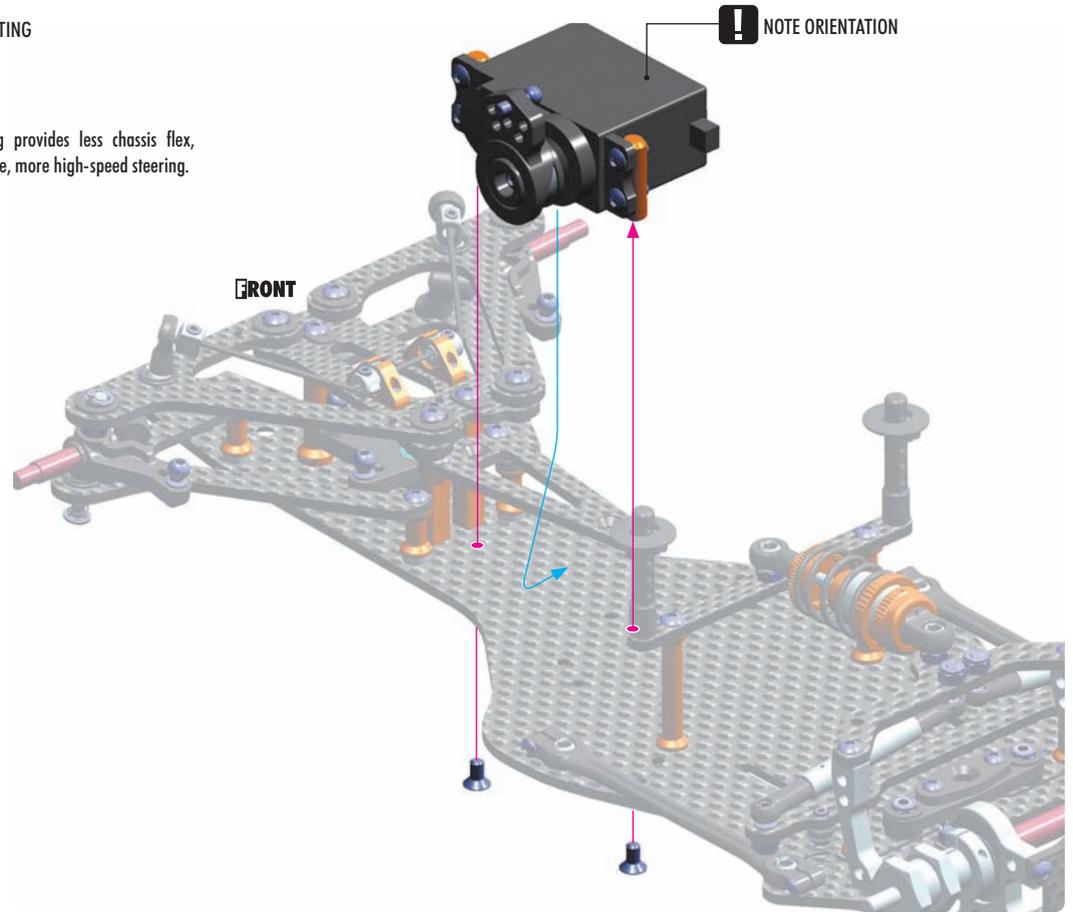
903306  
SFH M3x6

## ALTERNATIVE 1

### STANDARD SERVO MOUNTING

(INITIAL SETTING)

Standard servo mounting provides less chassis flex, increased steering response, more high-speed steering.

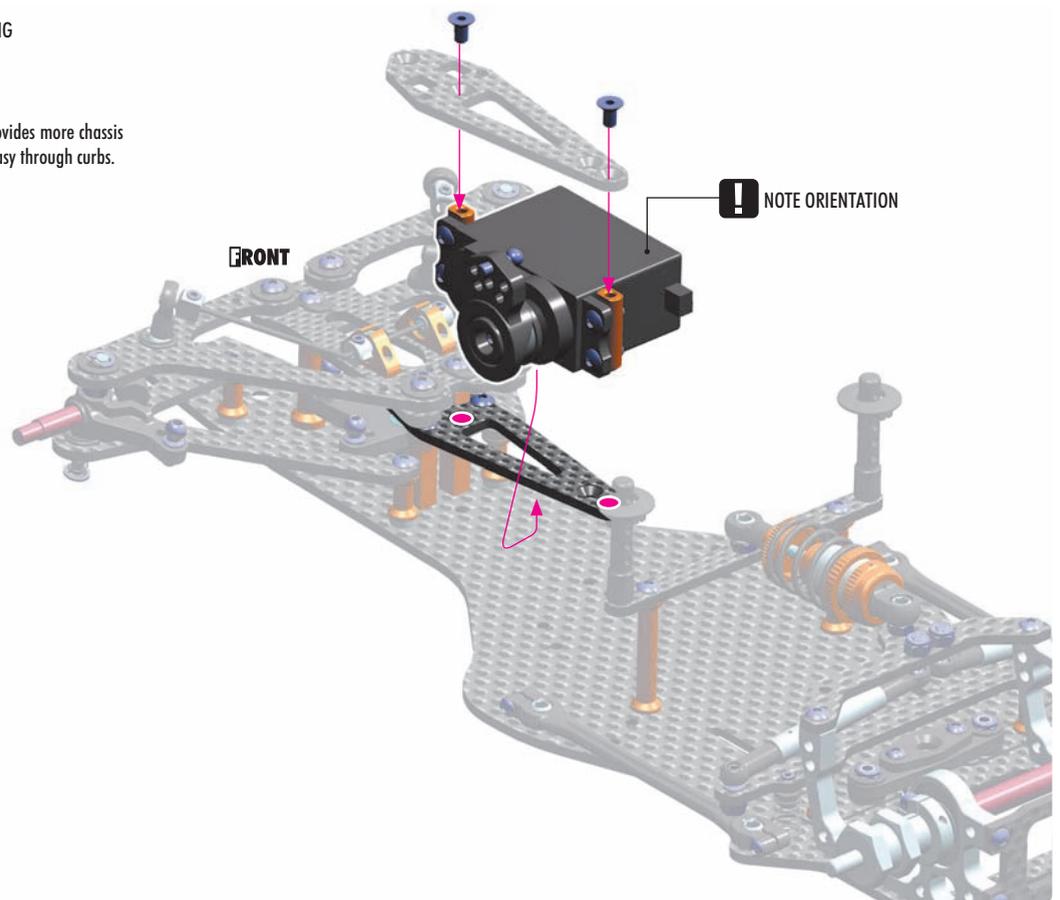


903306  
SFH M3x6

## ALTERNATIVE 2

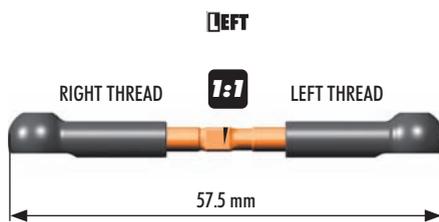
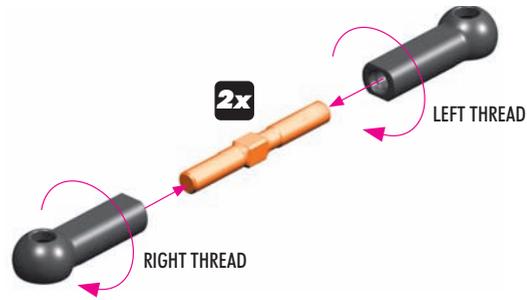
### FLOATING SERVO MOUNTING

Floating servo mounting provides more chassis flex, easier to drive, super easy through curbs.

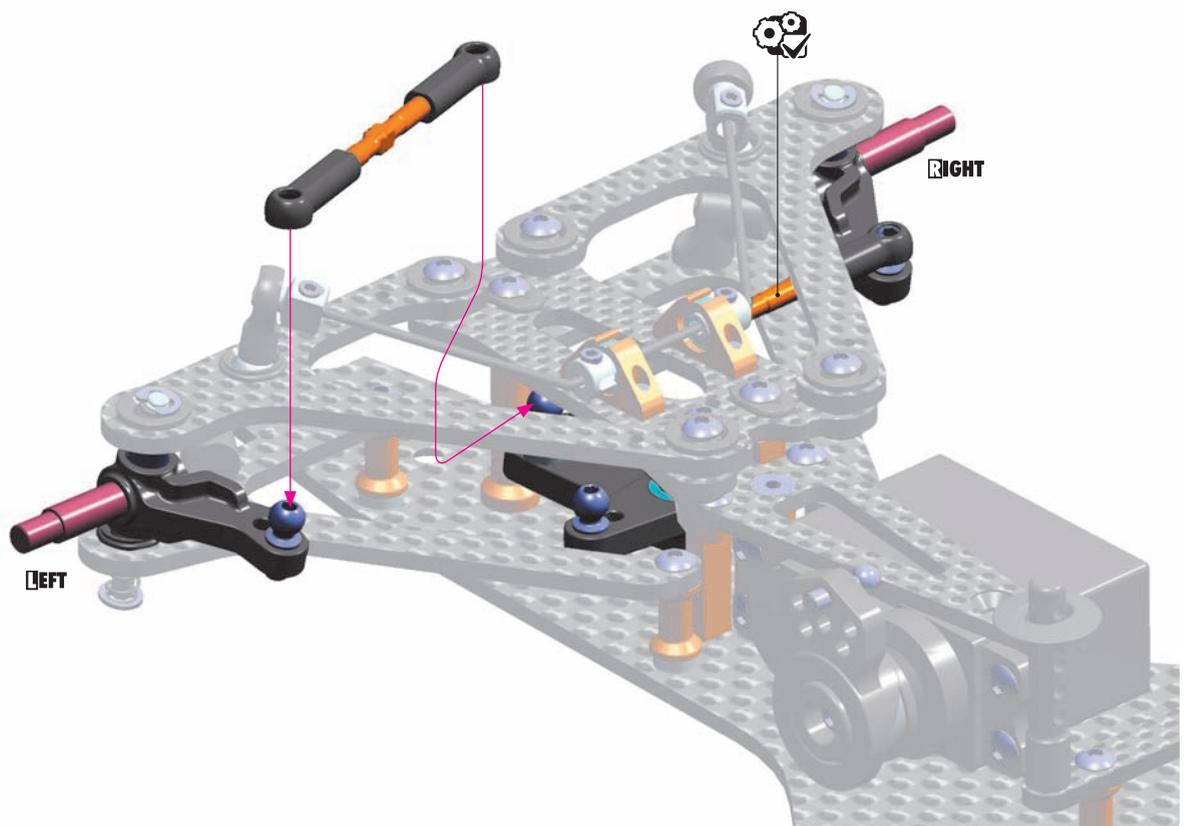
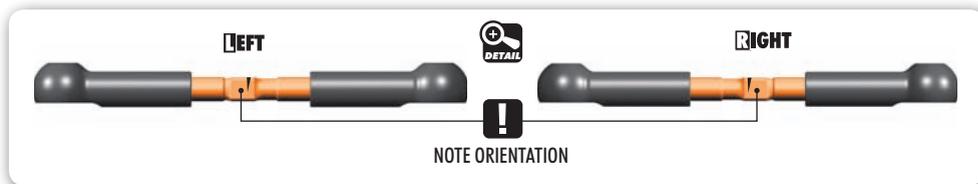


# 5. FINAL ASSEMBLY

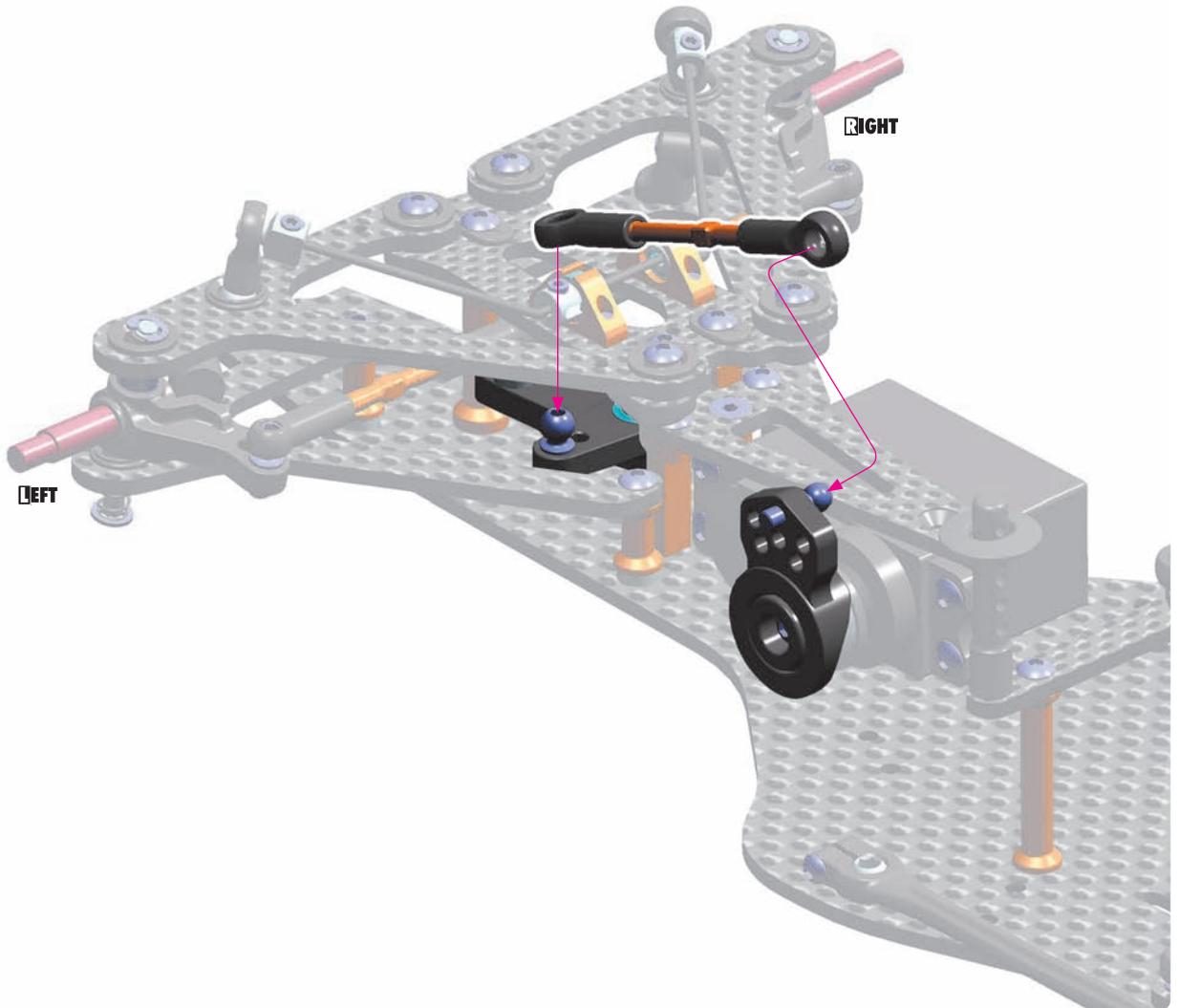
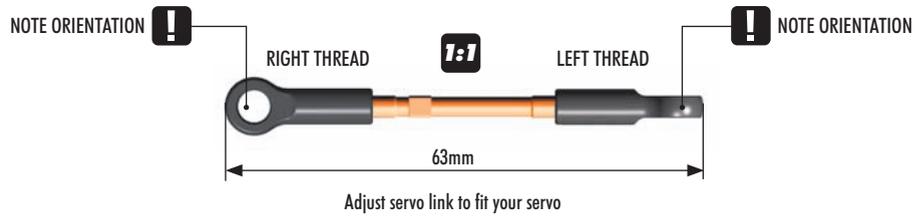
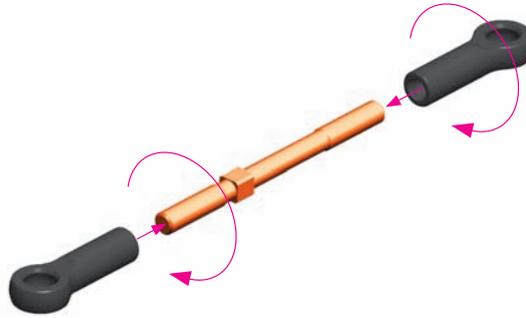
## STEERING LINKS



2x L=R



## SERVO LINK



# 5. FINAL ASSEMBLY

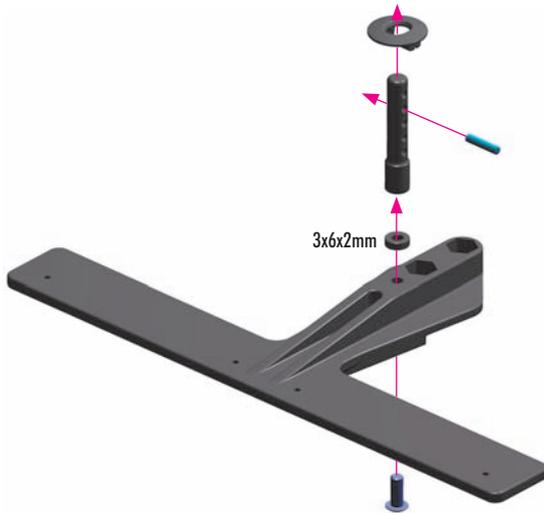
**IO**  
306219  
SHIM 3x6x2

  
902310  
SH M3x10

  
981210  
P 2x10

  
903412  
SFH M4x12

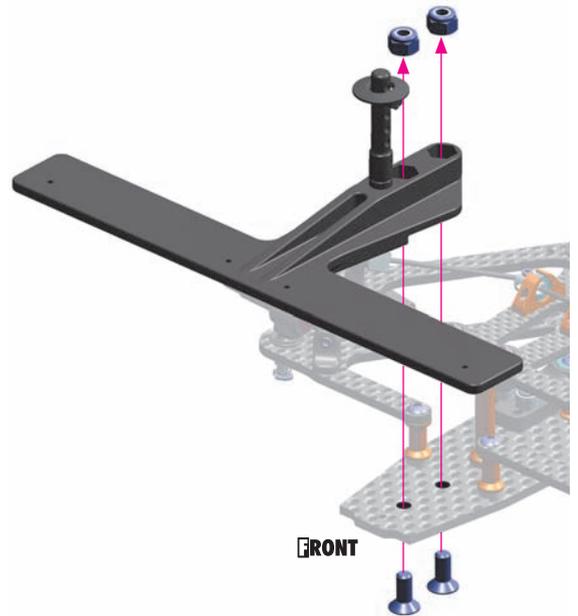
  
960040  
N M4



 #371290  
X1 ALU BODY POST PLATE

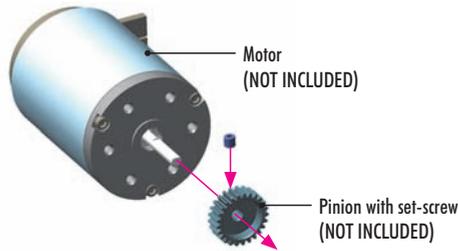


 #371202  
X1 COMPOSITE ADJUSTABLE FRONT  
AERO WING - ETS APPROVED



  
902308  
SH M3x8

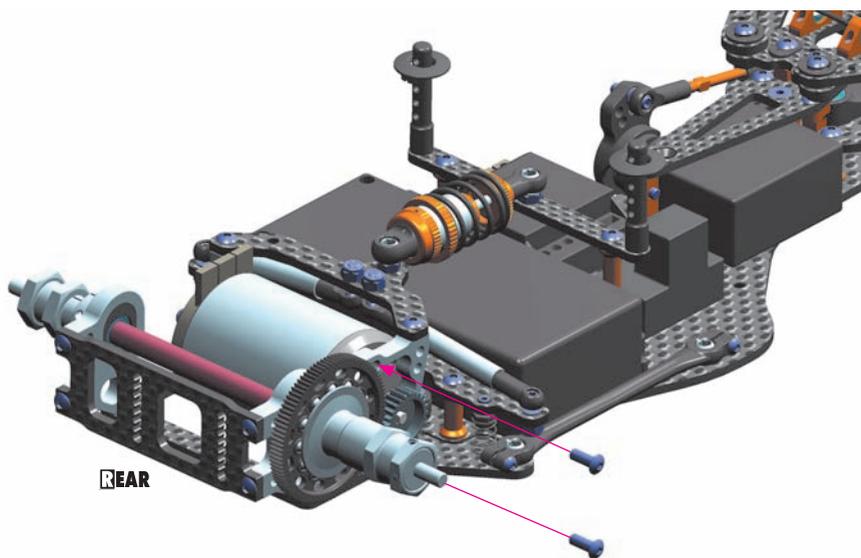
  
901302  
SB M3x2.5



 **OPTION**  

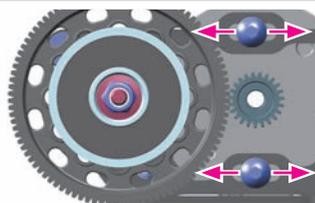

## PINION GEARS ALU HARDCOATED

#305968	18T / 64P	OPTION
#305969	19T / 64P	OPTION
#305970	20T / 64P	OPTION
#305971	21T / 64P	OPTION
#305972	22T / 64P	OPTION
#305973	23T / 64P	OPTION
#305974	24T / 64P	OPTION
#305975	25T / 64P	OPTION
#305976	26T / 64P	OPTION
#305977	27T / 64P	OPTION
#305978	28T / 64P	OPTION
#305979	29T / 64P	OPTION
#305980	30T / 64P	OPTION
#305981	31T / 64P	OPTION
#305982	32T / 64P	OPTION
#305983	33T / 64P	OPTION
#305984	34T / 64P	OPTION
#305985	35T / 64P	OPTION
#305986	36T / 64P	OPTION
#305987	37T / 64P	OPTION
#305988	38T / 64P	OPTION
#305990	40T / 64P	OPTION
#305991	41T / 64P	OPTION
#305992	42T / 64P	OPTION
#305994	44T / 64P	OPTION
#305996	46T / 64P	OPTION
#305997	47T / 64P	OPTION
#305998	48T / 64P	OPTION
#306000	50T / 64P	OPTION

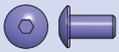


 **DETAIL**

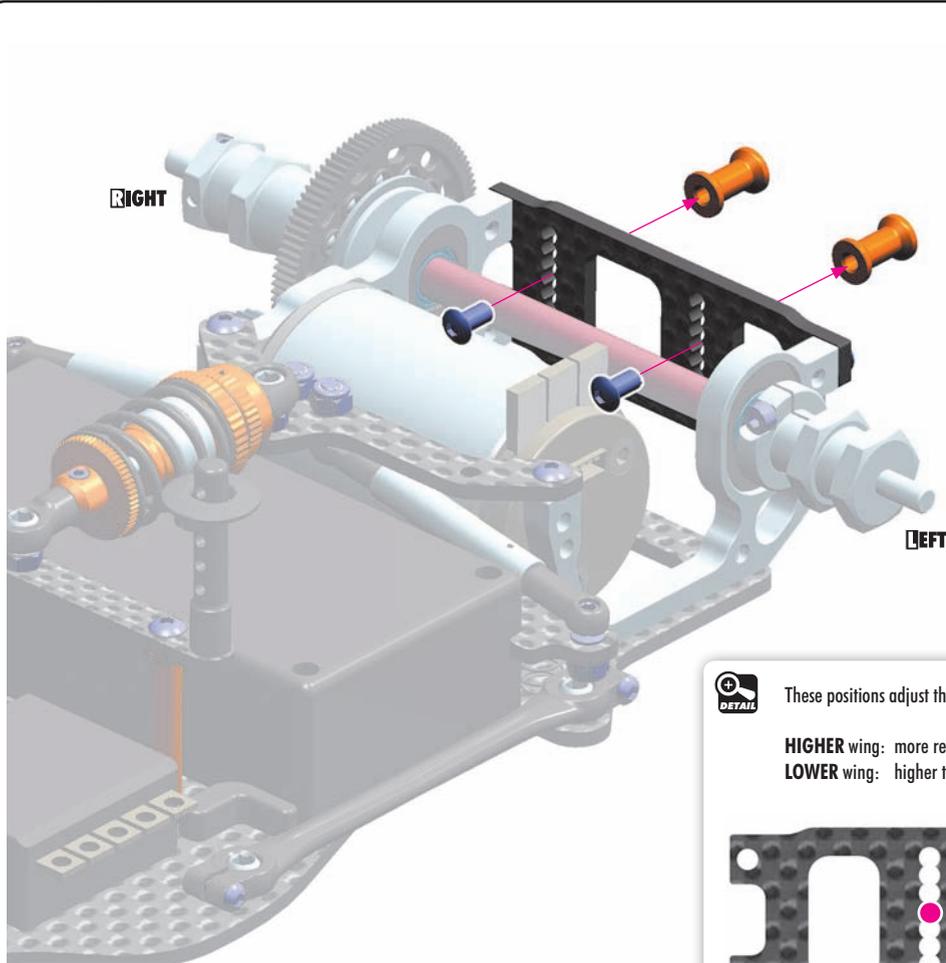
Adjust the gear mesh so there is appropriate space between the spur gear and pinion teeth. There should be a very small amount of freeplay.



# 5. FINAL ASSEMBLY



902306  
SH M3x6

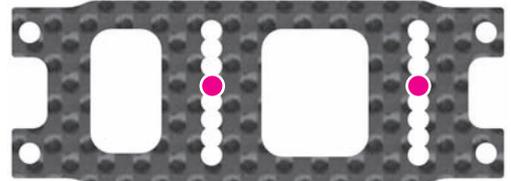


These positions adjust the **HEIGHT** of the rear wing.

**HIGHER** wing: more rear traction, more stability

**LOWER** wing: higher top speed, improved steering response

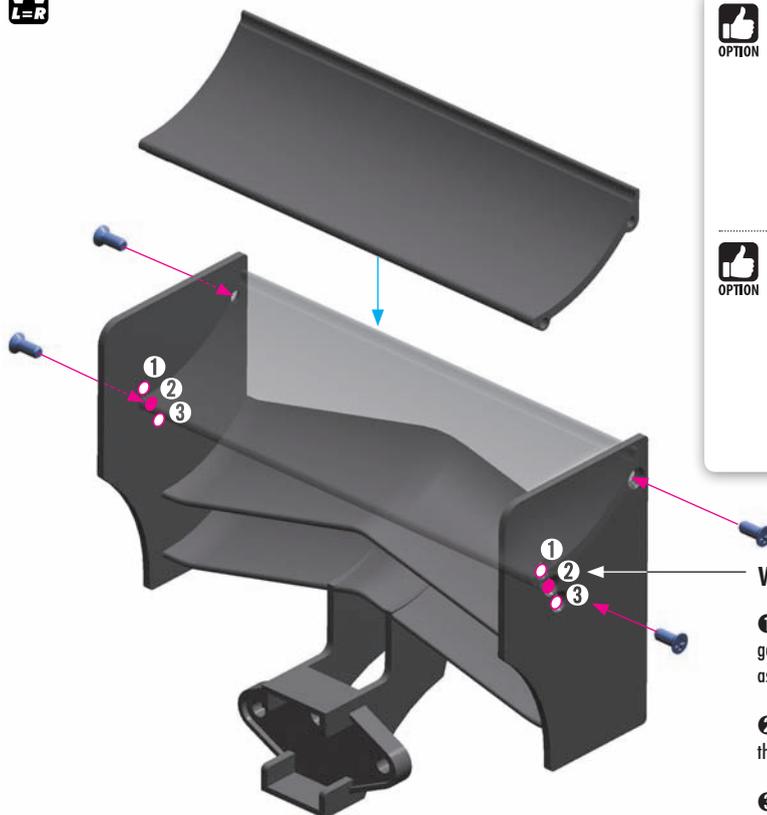
TOP



INITIAL SETTING



906206  
SFP 2.2x6



#373511-K  
X1 COMPOSITE REAR WING - BLACK



#373513-K  
X1 COMPOSITE ADJUSTABLE REAR WING - BLACK - ETS APPROVED



## WING POSITION

- ❶ **LOW DOWNFORCE:**  
generates more steering but makes the car slightly more difficult to drive as the car is less stable. Recommended for large tracks with long sweepers.
- ❷ **MIDDLE:**  
the compromise between high and low downforce (INITIAL SETTING).
- ❸ **HIGH DOWNFORCE:**  
makes the car stable and easier to drive with less initial steering.

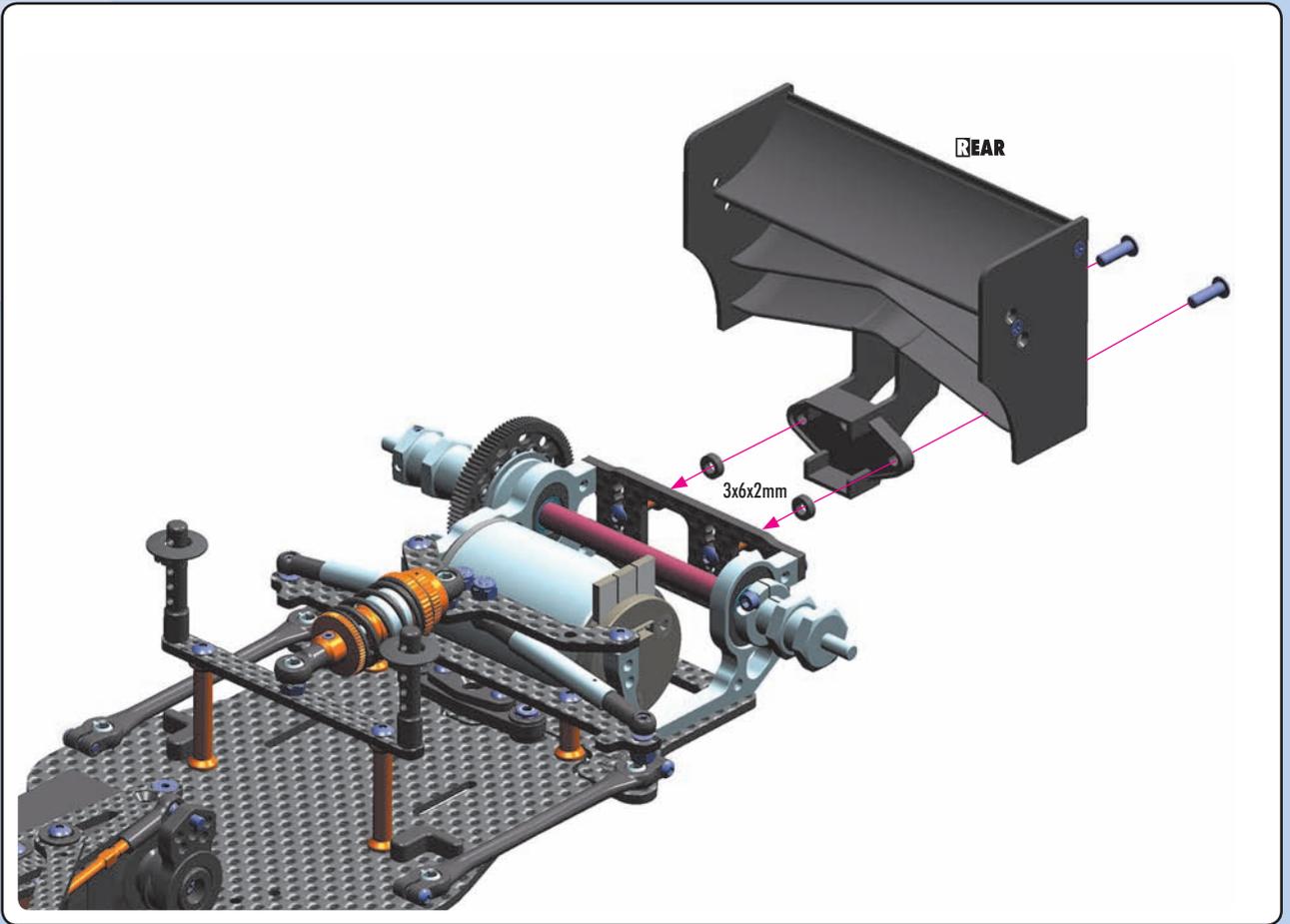
# 5. FINAL ASSEMBLY



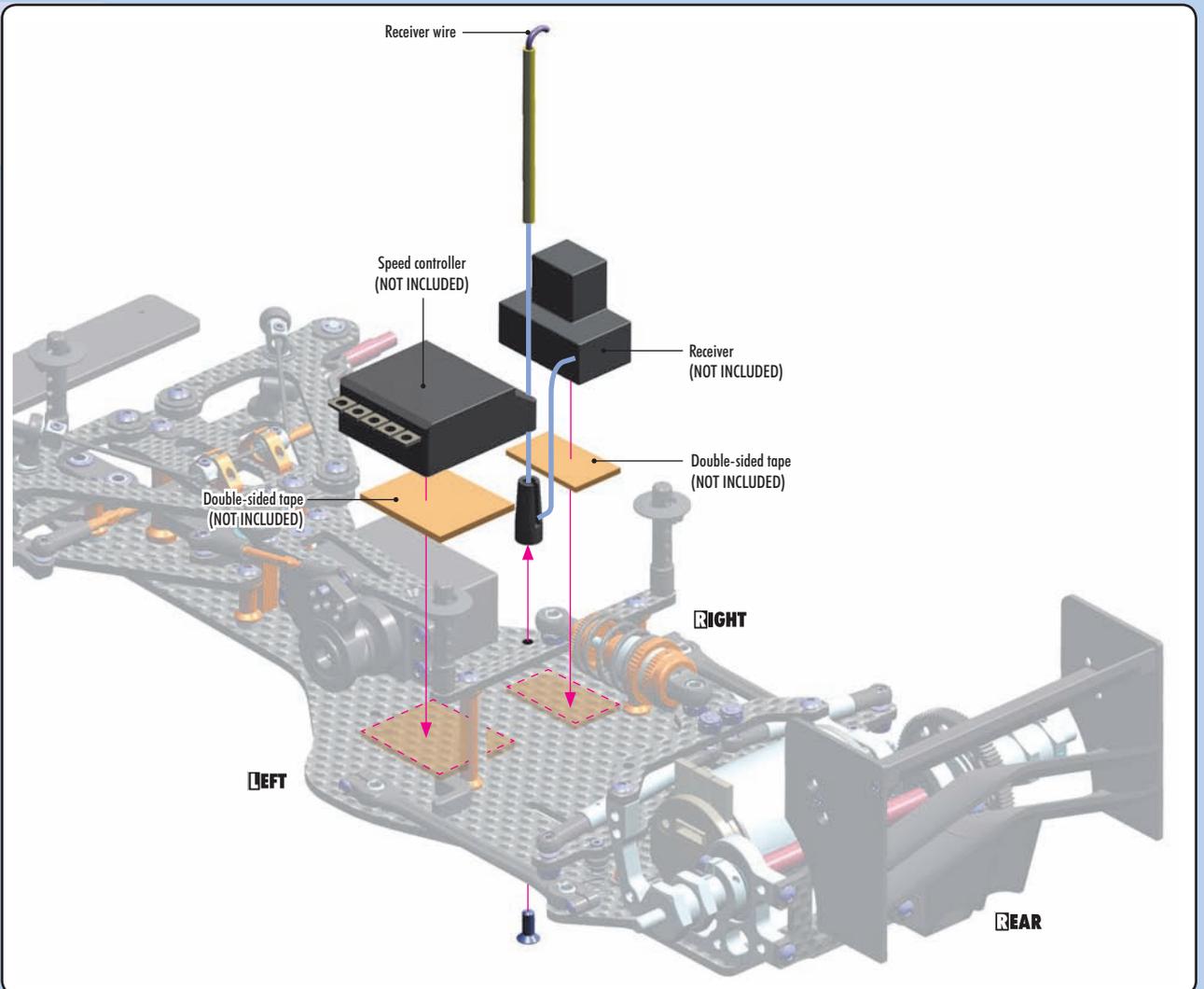
902310  
SH M3x10



306219  
SHIM 3x6x2



903308  
SFH M3x8





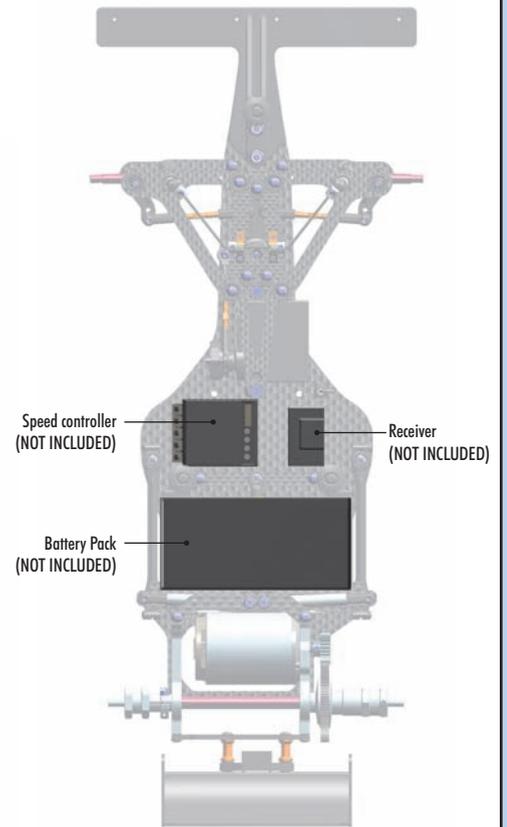
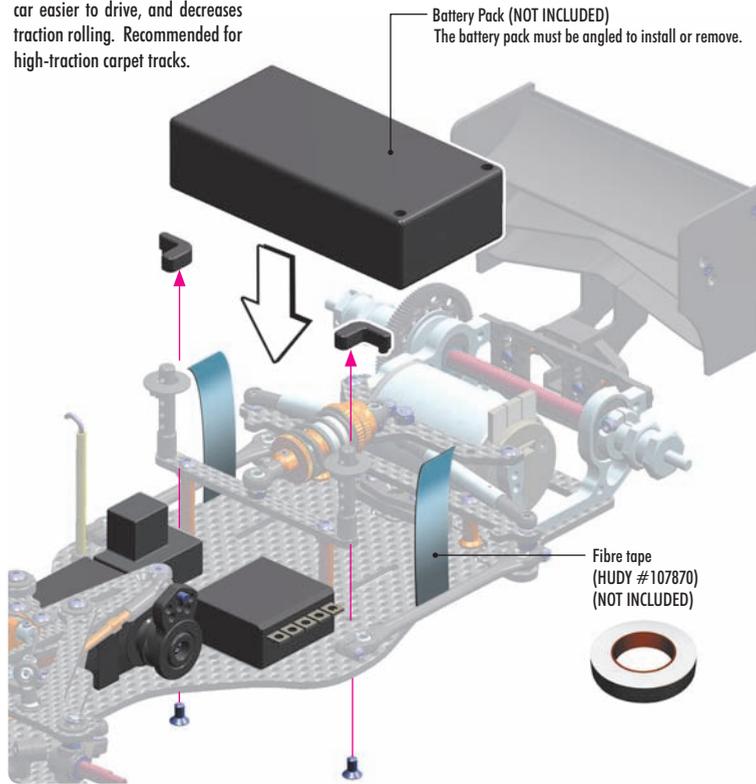
903306  
SFH M3x6

## LiPo BATTERY CONFIGURATION 1

### CROSS-CHASSIS ALIGNMENT

(INITIAL SETTING)

Cross-chassis alignment makes the car easier to drive, and decreases traction rolling. Recommended for high-traction carpet tracks.

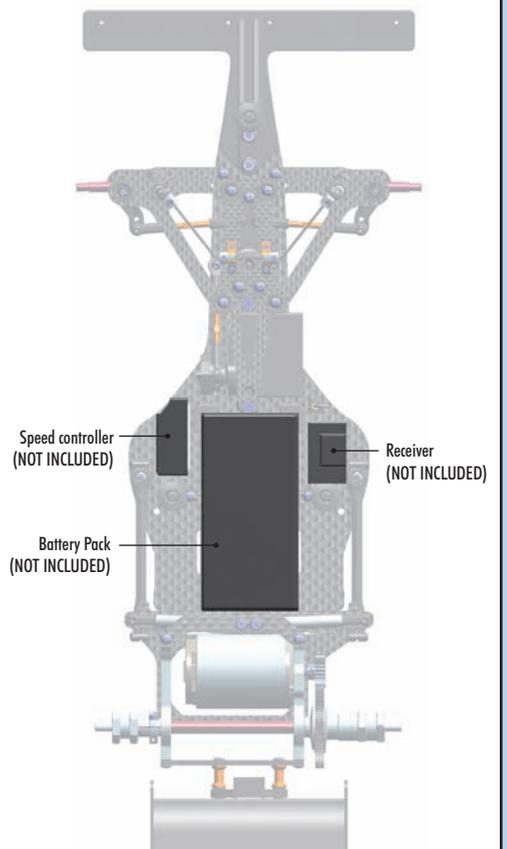
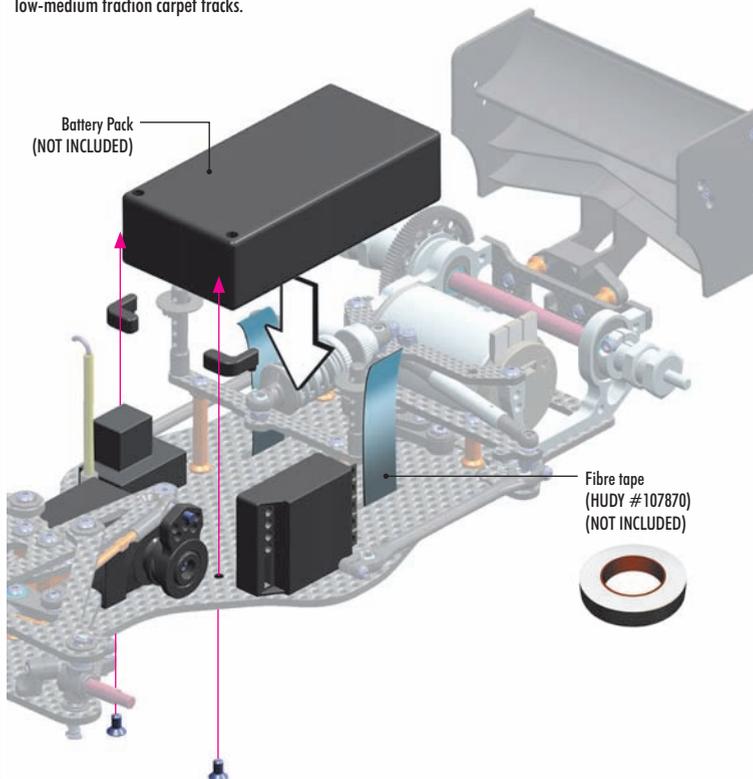


903306  
SFH M3x6

## LiPo BATTERY CONFIGURATION 2

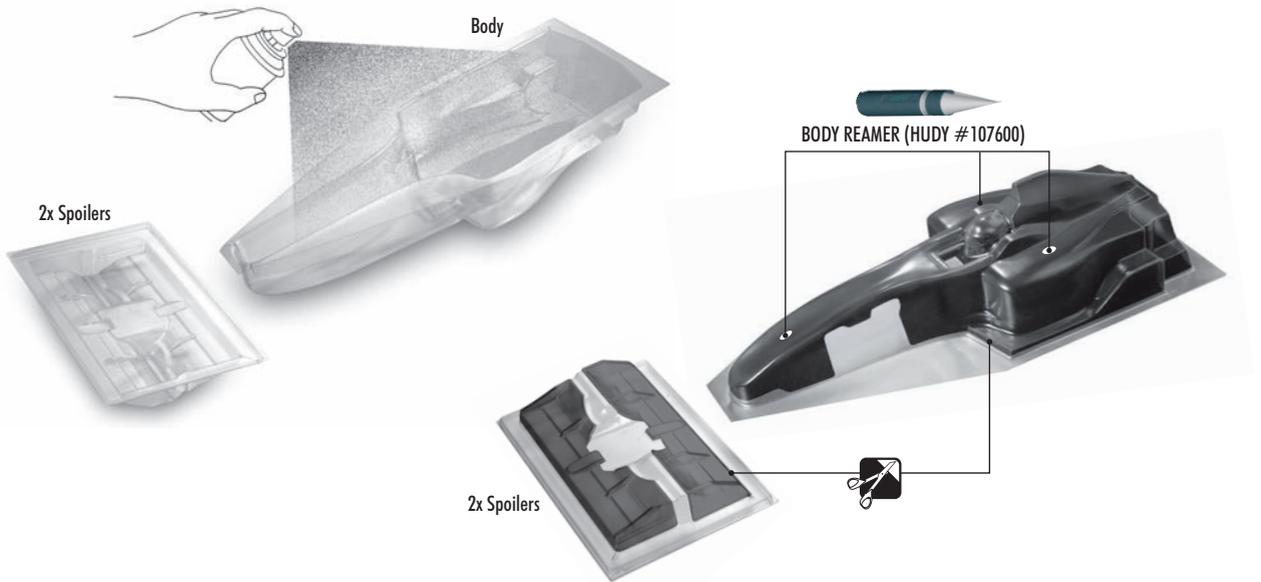
### INLINE BATTERY ALIGNMENT

Inline battery alignment improves the roll of the car and gives improved steering. Recommended for asphalt and low-medium traction carpet tracks.



# 5. FINAL ASSEMBLY

- 1 Before cutting and making holes on the body, put the unpainted body on the chassis to confirm the mounting position and location for holes and cutouts. Before cutting and making holes on the spoiler, put the unpainted spoiler on the front bumper to confirm the mounting position and location for holes and cutouts.
- 2 Before painting, wash the inside of the body with mild detergent, and then rinse and dry thoroughly.
- 3 Mask the helmet shield if you wish.
- 4 Apply paint masks as appropriate.
- 5 Paint the body using paints formulated for polycarbonate bodies.
- 6 When the paint is dry, remove the masking.
- 7 Carefully cut out the body using appropriate scissors or cutting tools.
- 8 When you have finished cutting, peel off the external protective films.



338586  
SHIM 5x7x0.5



902205  
SH M2x5



960040  
N M4

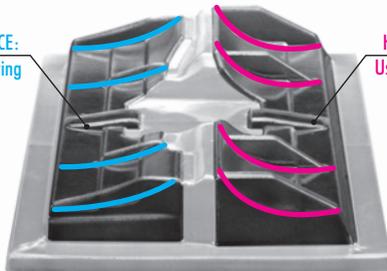


94 0510  
BB 5x10x4

## FRONT SPOILER

**LOW DOWNFORCE:**  
Use for less steering

**HIGH DOWNFORCE:**  
Use for more steering

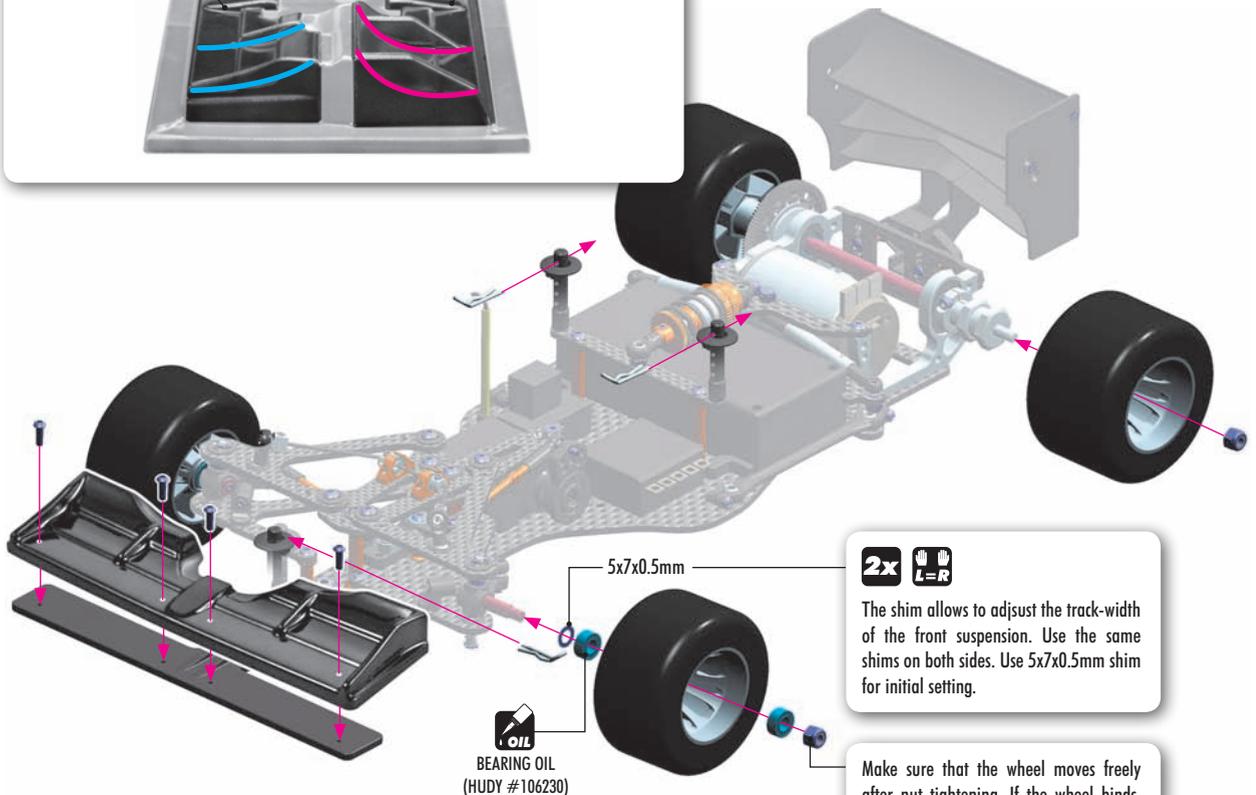


OPTION



## TRACK-WIDTH ADJUSTMENT SHIMS

#338584	5x7x0.2mm	OPTION
#338585	5x7x0.3mm	OPTION
#338586	5x7x0.5mm	INCLUDED



# SET-UP SHEET

# XRAY X1'17

RACE

TRACK

NAME

CITY / COUNTRY

CONTACT

DATE

QUALIFYING POSITION	BEST LAPTIME /sec	FINAL POSITION	RACE LENGTH /min
<input type="text"/>	<input type="text"/>	<input type="text"/>	<input type="text"/>

**TRACK**

TRACK SURFACE  CARPET  ASPHALT

TRACK LAYOUT  TECHNICAL  MIXED  FAST

TRACTION  LOW  MEDIUM  HIGH

**CENTER SHOCK ABSORBER**

SHOCK TYPE	SPRING	OIL /cSt	REBOUND /%
<input type="text"/>	<input type="text"/>	<input type="text"/>	<input type="text"/>

PISTON  3 HOLES  4 HOLES

PISTON HOLES DIAMETER /ø  1.1mm  1.2mm  1.3mm Custom holes

FOAM INSERT YES  NO

**ANTI-ROLL BAR**

THICKNESS/mm

SIDE TUBES  OIL /cSt

SIDE SHOCK  OIL /cSt

FRONT	TIRES	REAR
<input type="text"/>	TIRES <input type="text"/>	<input type="text"/>
<input type="text"/>	ADDITIVE <input type="text"/>	<input type="text"/>
<input type="text"/>	ADDITIVE TIMING <input type="text"/>	<input type="text"/>
FRONT LEFT <input type="text"/>	ADDITIVE TREATED AREA	REAR LEFT <input type="text"/>
FRONT RIGHT <input type="text"/>		REAR RIGHT <input type="text"/>

**DIFF SETTING**

LOOSE  MEDIUM  TIGHT

**GEARING**

PINION /T

SPUR GEAR /T

FINAL DRIVE RATIO

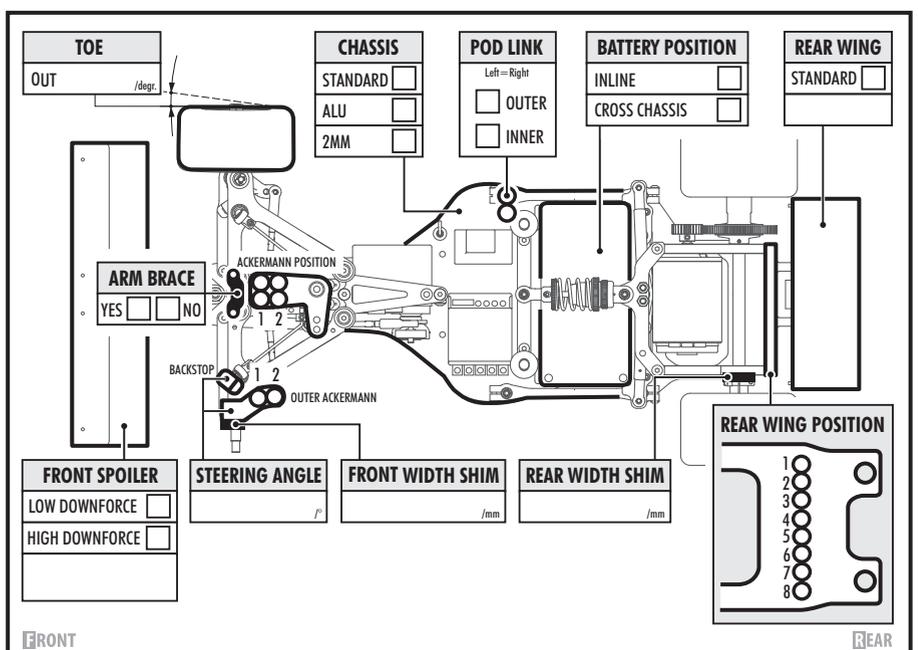
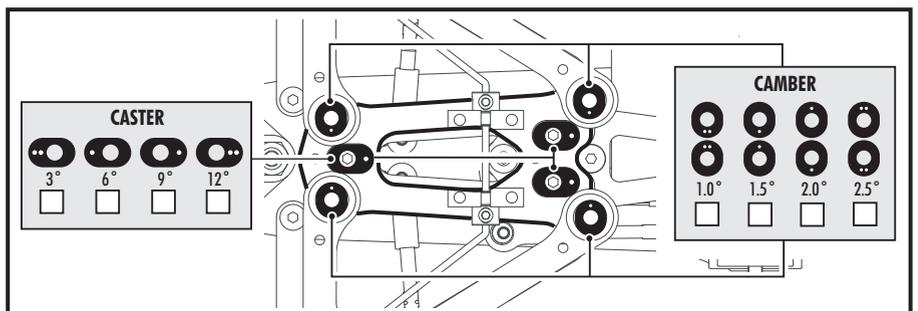
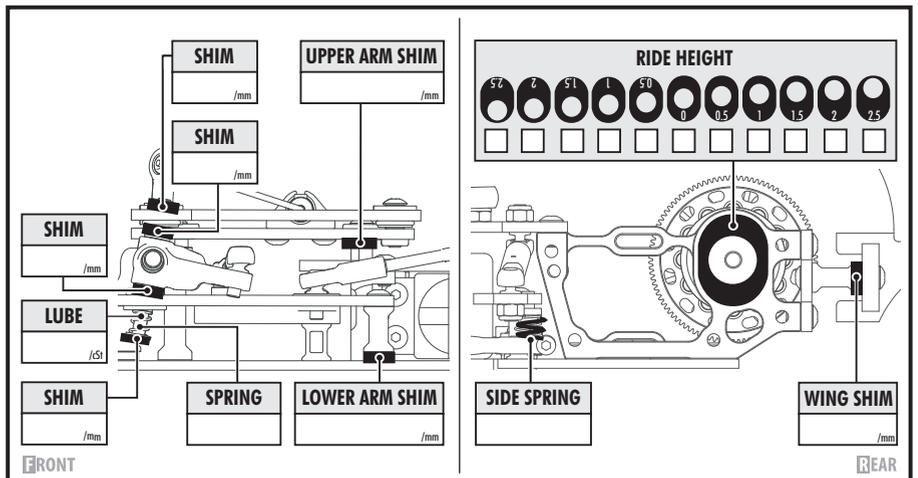
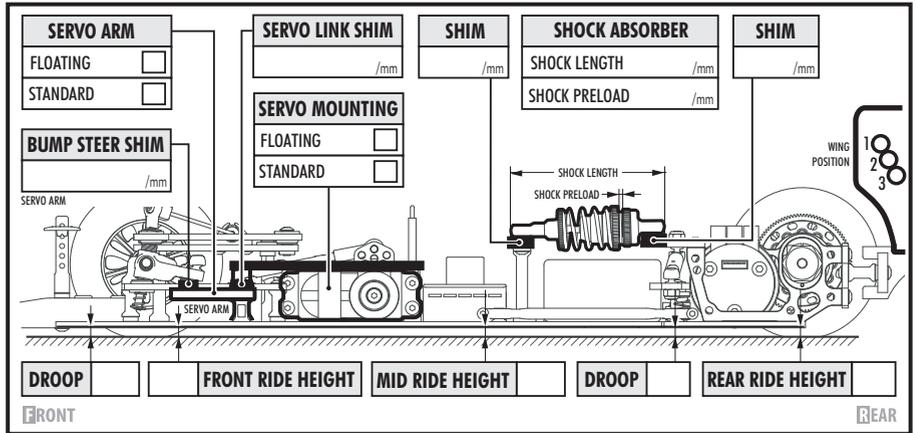
**ELECTRONICS**

MOTOR

SPEEDO

BATTERIES

**BODY**



**COMMENTS**

**[www.teamxray.com](http://www.teamxray.com)**

**XRAY EUROPE**

XRAY, K VÝSTAVISKU 6992, 91101 TRENCIN, SLOVAKIA, EUROPE  
PHONE: +421-32-740 11 00, FAX: +421-32-740 11 09, [info@teamxray.com](mailto:info@teamxray.com)

**XRAY USA**

RC AMERICA, 2030 Century Center Blvd #15, Irving, TX 75062, USA  
PHONE: 214-744-2400, FAX: 214-744-2401, [xray@rcamerica.com](mailto:xray@rcamerica.com)



[/TeamXray](#)



[/TeamXray](#)



[/TeamXray](#)



[/XrayRacing](#)



[/+TeamXrayRC](#)