

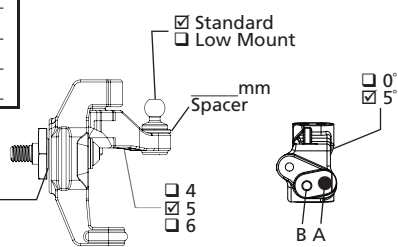
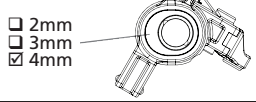
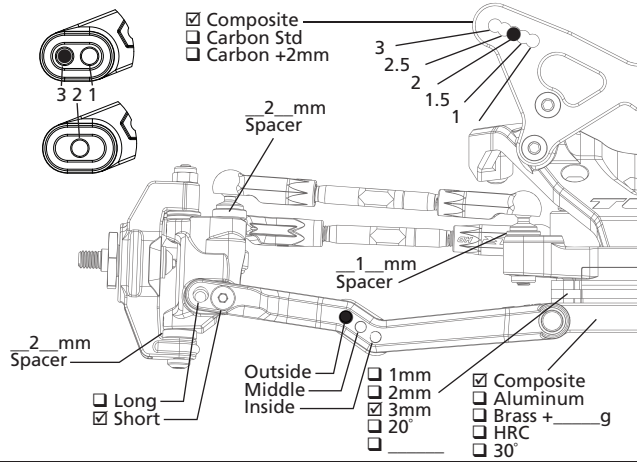
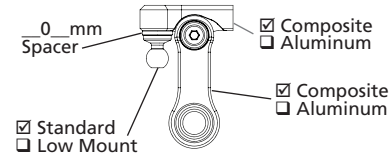
Name: 22 5.0 DC Roller - Starting Setup      Date:      Event:      Track:

**Track Conditions**

Indoor    Clay    Carpet    Tight    Smooth    Hard Packed    Blue Groove    Wet   Bite:  Low  Med  High   Other: \_\_\_\_\_  
 Outdoor    Dirt    Astro    Open    Rough    Loose/Loamy    Dry    Dusty   Tread:  Pin  Ghost  Slicks

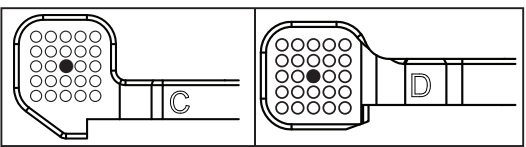
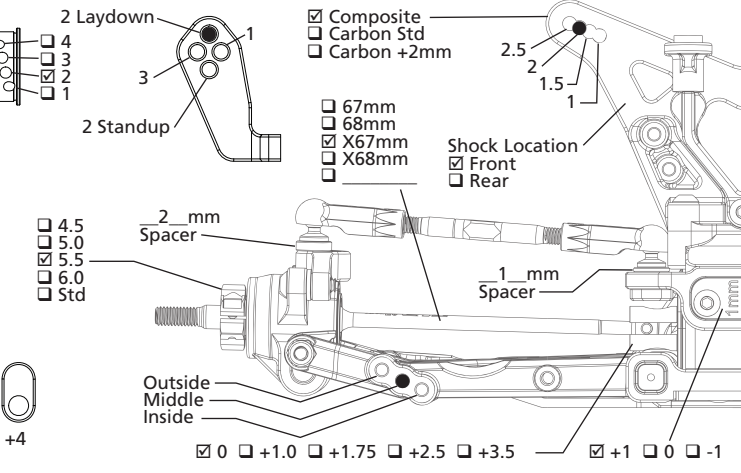
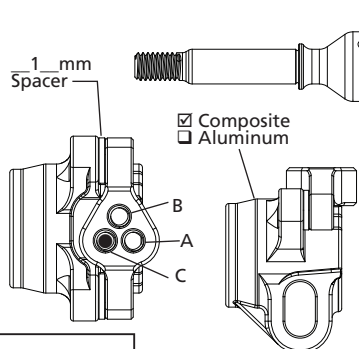
**Front Suspension**

Ride Height	21 mm
Camber	-1°
Toe	+0.5°
Sway Bar	mm
Notes:	



**Rear Suspension**

Ride Height	21 mm
Camber	-1°
Sway Bar	mm
Notes:	



**Chassis**

Drive Train	
Diff Type	<input type="checkbox"/> Ball Diff <input checked="" type="checkbox"/> Gear Diff
Setting/Fluid	7,000cs
Internal Gears	<input checked="" type="checkbox"/> Steel <input type="checkbox"/> Composite
Planet Gears	<input type="checkbox"/> 2 <input checked="" type="checkbox"/> 4
Slipper	<input checked="" type="checkbox"/> Slipper <input type="checkbox"/> Direct Drive
Slipper Pads	<input type="checkbox"/> Torque/Yellow <input checked="" type="checkbox"/> Drive/Orange

Aerodynamics	
Body	TLR 22 5.0 LW
Fr Wing	Narrow High
Rr Wing	TLR 6.5"
Wicker	2 lines
Angle	4°
Notes	

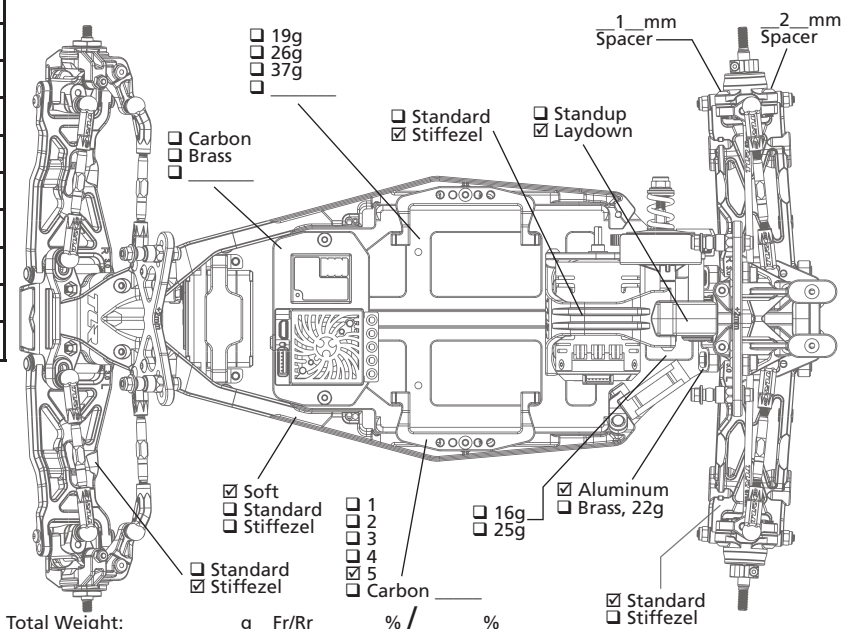
Tires		
	Front	Rear
Brand		
Tread		
Compound		
Insert		
Sauce		
Wheel	<input type="checkbox"/> Standard <input checked="" type="checkbox"/> Stiffezel	Yellow
Notes		

**Shocks**

	Front	Rear
Shock Caps	Composite	Composite
Oil	37.5	32.5
Piston	2 x 1.6 <input checked="" type="checkbox"/> Thin	2 x 1.7 <input checked="" type="checkbox"/> Thin
Limiters, Int	1 mm	0 mm
Shaft Dia	<input checked="" type="checkbox"/> 3.0mm <input type="checkbox"/> 3.5mm	<input checked="" type="checkbox"/> 3.0mm <input type="checkbox"/> 3.5mm
Limiters, Ext	0 mm	0 mm
Stroke	23 mm	32 mm
Eyelet	<input checked="" type="checkbox"/> Std <input type="checkbox"/> +2mm	<input checked="" type="checkbox"/> Std <input type="checkbox"/> +2mm
Spring	TLR Green	TLR White
Spring Cup	<input type="checkbox"/> Low <input type="checkbox"/> Mid <input checked="" type="checkbox"/> High	<input type="checkbox"/> Low <input checked="" type="checkbox"/> Mid <input type="checkbox"/> High

**Electronics**

Radio		ESC	
Servo		Thro Prof	
Battery		Timing Adv	
Battery Wt	g	Initial Brake	
Motor		Drag Brake	
Gearing	/	Thr/Bra EPA	/



Total Weight: \_\_\_\_\_ g Fr/Rr \_\_\_\_\_ % / \_\_\_\_\_ %