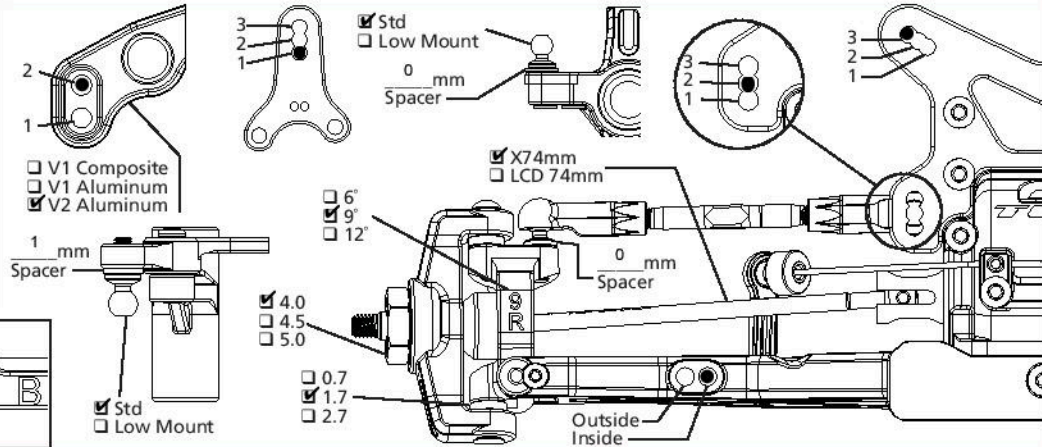


Track Conditions

<input checked="" type="checkbox"/> Indoor	<input checked="" type="checkbox"/> Clay	<input type="checkbox"/> Carpet	<input checked="" type="checkbox"/> Tight	<input checked="" type="checkbox"/> Smooth	<input checked="" type="checkbox"/> Hard Packed	<input type="checkbox"/> Blue Groove	<input checked="" type="checkbox"/> Wet	Bite: <input type="checkbox"/> Low <input checked="" type="checkbox"/> Med <input type="checkbox"/> High	Other: High bite in groove, dusty in outside lines.
<input type="checkbox"/> Outdoor	<input type="checkbox"/> Dirt	<input type="checkbox"/> Astro	<input type="checkbox"/> Open	<input type="checkbox"/> Rough	<input type="checkbox"/> Loose/Loamy	<input type="checkbox"/> Dry	<input type="checkbox"/> Dusty	Tread: <input type="checkbox"/> Pin <input type="checkbox"/> Ghost <input checked="" type="checkbox"/> Slicks	

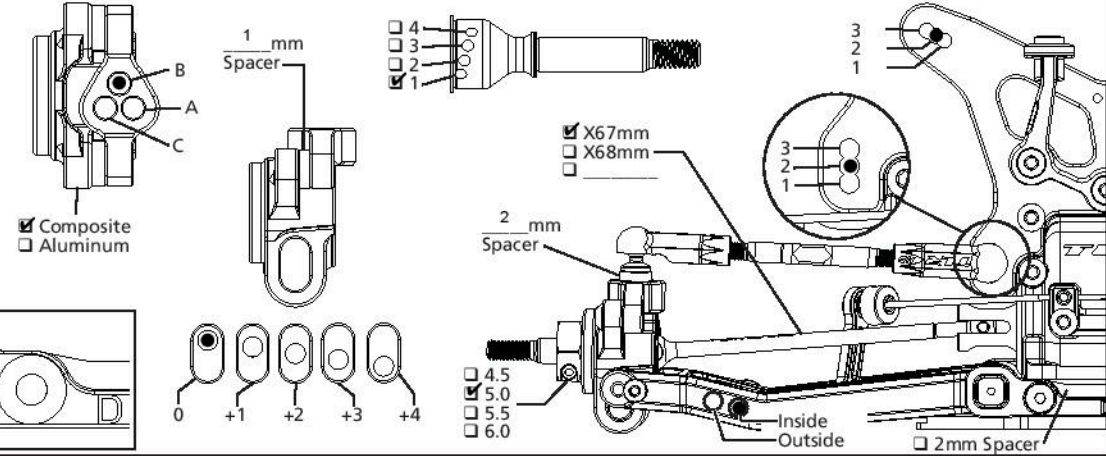
Front Suspension

Ride Height	16	mm
Camber	-2	°
Toe	+2	°
Sway Bar	1.0	mm
Notes:		



Rear Suspension

Ride Height	16	mm
Camber	-2	°
Sway Bar	1.2	mm
Notes:		



Chassis

	Front	Center	Rear
Fluid	7,000	500,000	5,000
Int Gears	<input type="checkbox"/> Stl <input checked="" type="checkbox"/> Comp	<input type="checkbox"/> Stl <input checked="" type="checkbox"/> Comp	<input type="checkbox"/> Stl <input checked="" type="checkbox"/> Comp
Weight	13.0 g	Full g	13.0 g
Ring/Pin	<input type="checkbox"/> Stl <input checked="" type="checkbox"/> Comp		<input type="checkbox"/> Stl <input checked="" type="checkbox"/> Comp
Center Diff Cover		<input checked="" type="checkbox"/> Composite <input type="checkbox"/> Aluminum	
Slipper Pads		<input type="checkbox"/> Torque/Yellow <input type="checkbox"/> Drive/Orange	

Aerodynamics	
Body	TLR 22X-4
Fr Scoop	Kit
Rr Wing	Pro-Line Air Force 2
Wicker	2nd Line
Angle	2 (no shim) °
Notes	

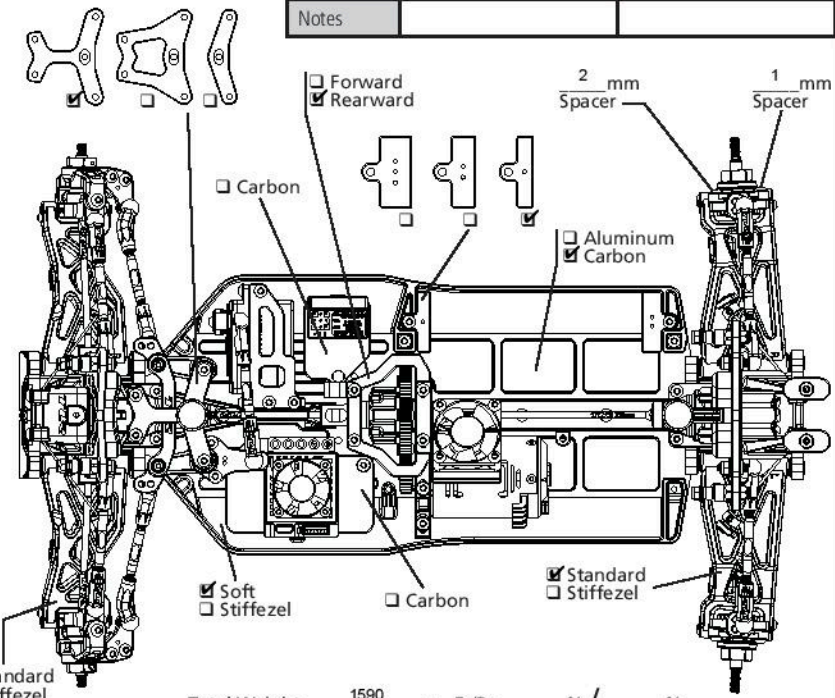
	Front	Rear
Brand	Pro-Line	Pro-Line
Tread	Bald Eagle	Bald Eagle
Compound	MC	MC
Insert	Stock	Stock, w/V-Cut
Sauce	SXT Baja	SXT Baja
Wheel	PL Velocity	PL Velocity
Notes		

Shocks

	Front	Rear
Shock Caps	Domed	Domed
Oil	40wt	35wt
Piston	2x1.6 <input checked="" type="checkbox"/> Thin	2x1.7 <input checked="" type="checkbox"/> Thin
Limiter, Int	0 mm	0 mm
Shaft Dia	<input checked="" type="checkbox"/> 3.0mm <input type="checkbox"/> 3.5mm	<input checked="" type="checkbox"/> 3.0mm <input type="checkbox"/> 3.5mm
Limiter, Ext	1 mm	1 mm
Stroke	23.0 mm	30.5 mm
Eyelet	<input checked="" type="checkbox"/> Std <input type="checkbox"/> +2mm	<input checked="" type="checkbox"/> Std <input type="checkbox"/> +2mm
Spring	AE V2 Yellow	AE V2 Blue
Spring Cup	<input type="checkbox"/> Low <input type="checkbox"/> Mid <input checked="" type="checkbox"/> High	<input type="checkbox"/> Low <input checked="" type="checkbox"/> Mid <input type="checkbox"/> High

Electronics

Radio	DX5 Pro	ESC	Hobbywing G2S Pro
Servo	SPMSS6240RX	Thro Prof	25
Battery	Trinity 5600mAh Carbon	Timing Adv	-
Battery Wt		Initial Brake	DB
Motor	Trinity Phenom 7.0T	Drag Brake	0%
Gearing	20 / 81	Thr/Bra EPA	90 / 85



Total Weight: 1590 g Fr/Rr _____ % / _____ %