

For Immediate Release: November 10, 2021

RIVAL MT8 RTR, and LiPo Combo

#20520, 20520C



ELECTRIC ▪ OFF ROAD ▪ 1:8 SCALE ▪ 4 WHEEL DRIVE ▪ RTR

Team Associated is proud to bring you the latest version in the monster truck line-up. The RIVAL MT8 is a powerful, purposeful, and built-to-last 1:8 scale monster truck capable of running on a single 6S or 4S LiPo battery. Its strength lies at the very core of this beast with its high-performance 2100kv high-torque Reedy brushless motor, 4mm aluminum main chassis with rigid aluminum center chassis supports, and a four-position adjustable wheelie bar. Power and durability are things you will never lack with this RIVAL MT8.

The RIVAL MT8 features a long-travel independent suspension that is managed by four 16mm big bore threaded-aluminum-bodied, fluid-filled, adjustable, coil-over shocks, giving the RIVAL MT8 the ability to roll over just about anything in its path. Giant aggressive monster truck tires provide maximum traction, letting the RIVAL MT8 claw through the toughest terrain with ease. The 4WD consists of a fully sealed, all-metal geared drivetrain that transfers the power through durable CVA drive shafts to both ends of the truck.

Whether you're smokin' tires on the asphalt, rippin' through the lawn or tearin' up a dirt field, Team Associated has you covered with the all-new RIVAL MT8!

The **#20520C LiPo Combo** comes with the #756 Reedy WolfPack LiPo 4000mAh 35C 14.8V and #27201 Reedy 324-S Compact Balance Charger.



WATCH THE VIDEO!

<https://youtu.be/vMyxvR45gnk>

HIGHLIGHTS

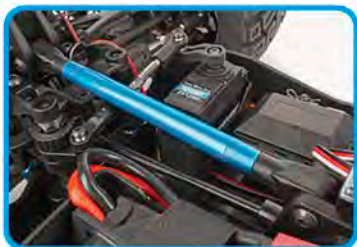
RIVAL MT8



Durable, impact-absorbing front bumper with LEDs



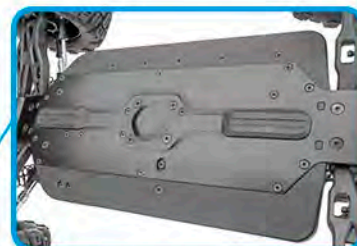
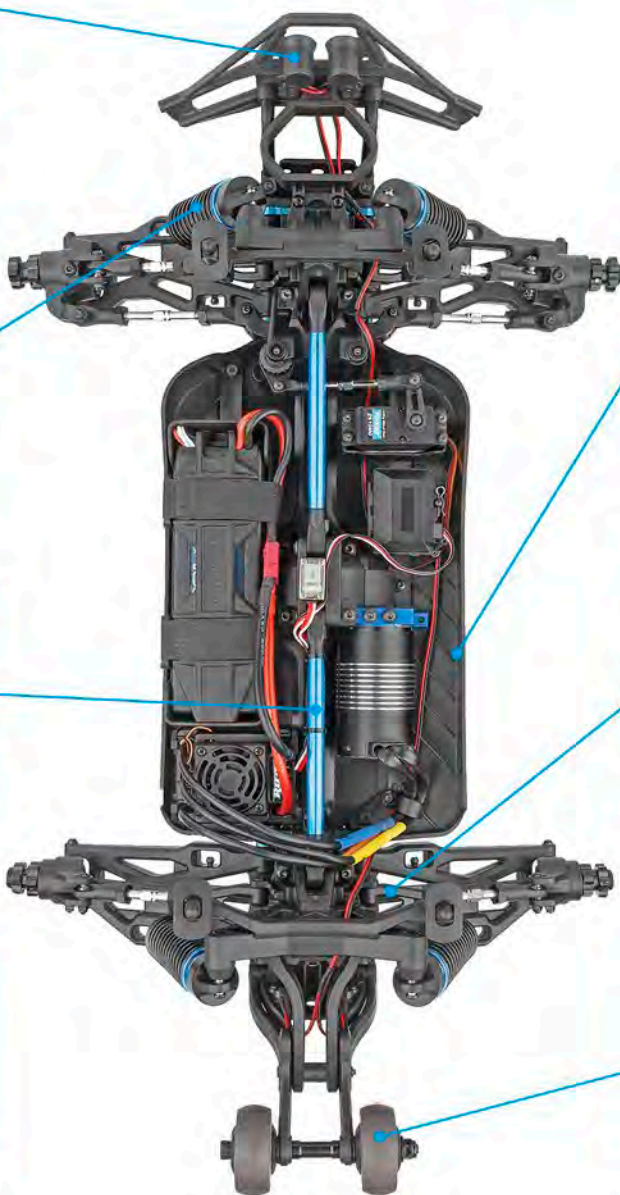
16mm big bore threaded aluminum shock bodies



Aluminum chassis braces



17mm hex wheels wrapped with high-traction, all-terrain tires



4mm thick aluminum main chassis



Heavy duty, hardened steel CVA axles



Four-position adjustable wheelie bar

Due to ongoing R&D, photos may not match final kit.
Vehicle shown on these pages equipped with items NOT included in #20520: Reedy batteries.

MORE FEATURES

- Three heavy-duty, sealed, fluid-filled gear differentials
- Rigid aluminum center chassis supports
- Aluminum suspension braces
- Four-position adjustable wheelie bar with LED taillights
- All-metal gear drivetrain
- Rugged steel turnbuckles
- Durable, impact-absorbing front bumper with LED headlights
- High-torque digital servo
- Metal servo horn
- Single 6S or 4S ready 150A ESC
- 2100kv high torque brushless motor
- The **#20520C LiPo Combo** comes with the #756 Reedy WolfPack LiPo 4000mAh 35C 14.8V and #27201 Reedy 324-S Compact Balance Charger

SPECIFICATIONS

Scale	1:8
Power	Electric
Length	575mm (22.64")
Width	411mm (16.18")
Weight (without batteries)	4710g (10.4 lb)
Wheelbase	330mm (13.0")
Drive	4WD

ITEMS NEEDED TO COMPLETE

- #20520: 14.8V 4S (Reedy #756)
- #20520: Suitable battery charger (#27201 Reedy 324-S Compact Balance Charger, 4S max.)
- #20520, #20520C: Four (4) AA batteries (Reedy #302)
- #1571 FT 1/8 Wheel Nut Wrench

CATALOG INFORMATION

UPC	Part No.	Description	MAP	MSRP	Available
784695205208	20520	RIVAL MT8 RTR	\$509.99	\$759.99	December 2021
784695984035	20520C	RIVAL MT8 RTR LiPo Combo	\$624.99	\$919.99	December 2021

Version Comparison Chart

Model version		Electronics Included			
Part No.	Description	Motor	Radio, Servo, ESC, Receiver	Charger	Battery
20520	RIVAL MT8 RTR	brushless	included	none	none
20520C	RIVAL MT8 RTR LiPo Combo	brushless	included	included	LiPo

Download all zipped photos here: <https://bit.ly/3vZUPF7> (13.4MB). Link is active for 30 days.



21062 Bake Pkwy
Lake Forest CA 92630
www.AssociatedElectrics.com

