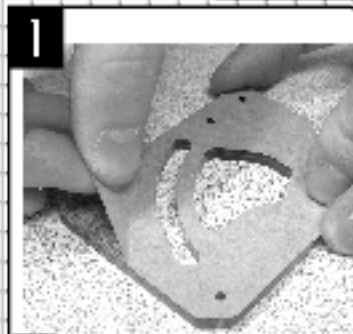


#1449 - Offroad Ride Height Gauge

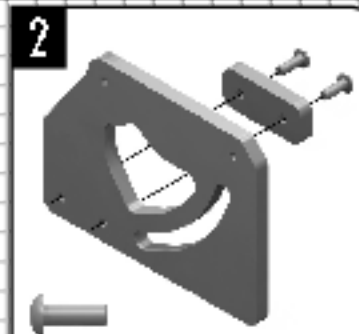
Associated Electric, Inc.

Follow the steps below to assemble your Offroad Ride Height Gauge.

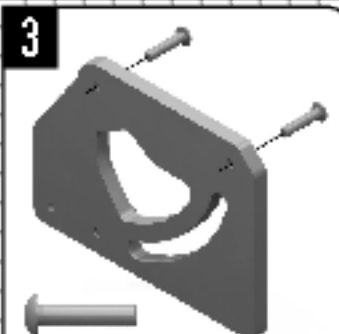
To prevent squeaking, apply a lubricant (dishwashing liquid, soap, diff lube) to screws before inserting them into plastic.



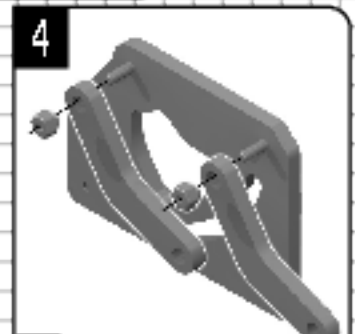
1 remove paper packing on all pieces



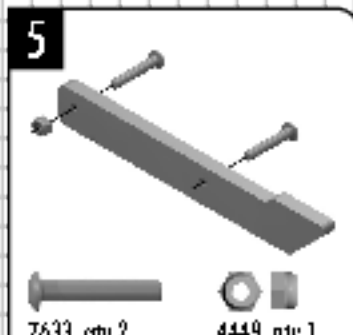
2 8919, qty 2
4-40 x 5/16" bhcs



3 8918, qty 2
4-40 x 7/8" bhcs

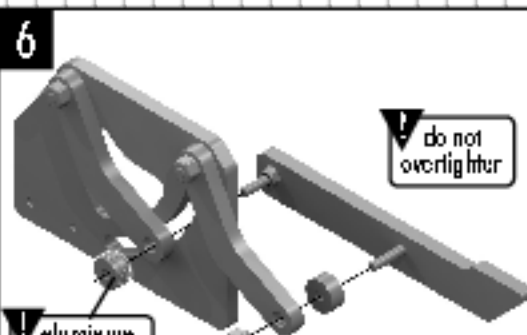


4 do not overtighten



5 7633, qty 2
4-40 x 5/8" bhcs

4449, qty 1
4-40 lock nuts



6 aluminum thumb screw

do not overtighten

Correct measuring point

