



**Updated 13mm shocks, pistons,
and springs**

B6.4: 13mm shocks

B6.3: 12mm shocks



New 22.5 kickup and bulkhead options

B6.4: 20.0, 22.5 and 25.0

B6.3: 25.0 and 30.0



Updated new body design



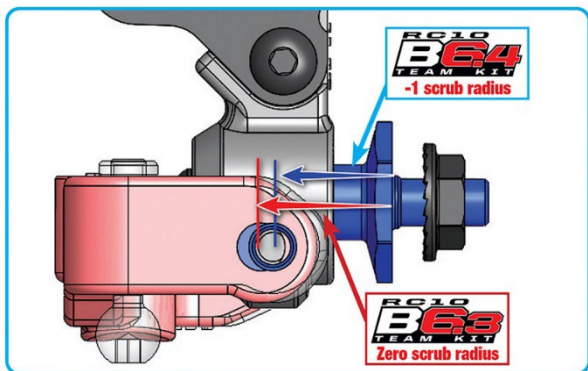
Updated top plate and ballstud mount



New chassis profile and ESC tray location. B6.4 has weight moved forward



New adjustable height steering system. B6.3 is not adjustable.



-1 caster/steering blocks move the pivot closer to the wheel center for smoothing steering



Updated fan mounts and fan location

Tap to view

