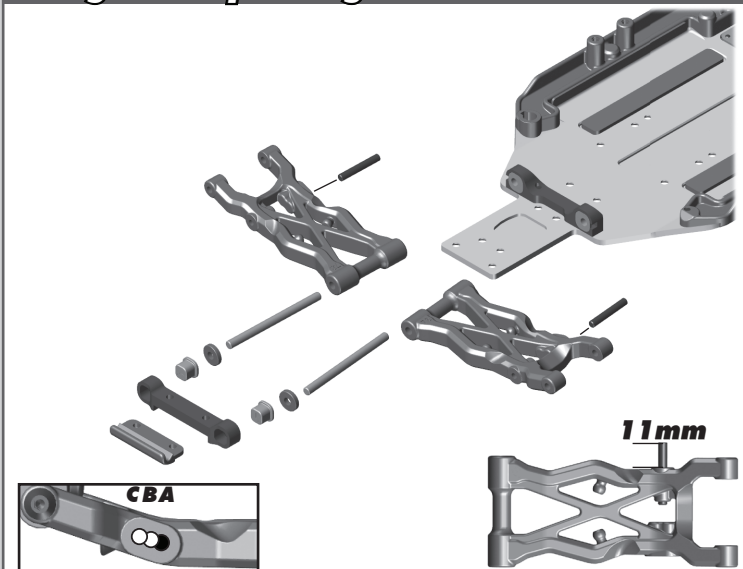
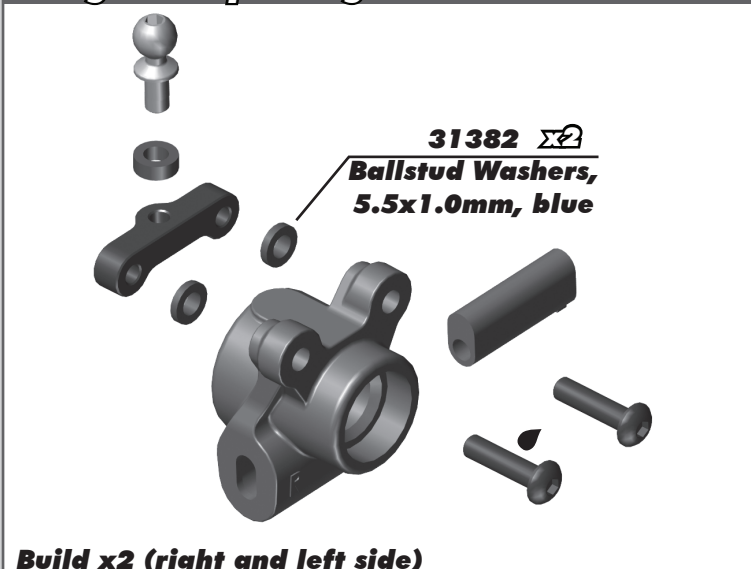


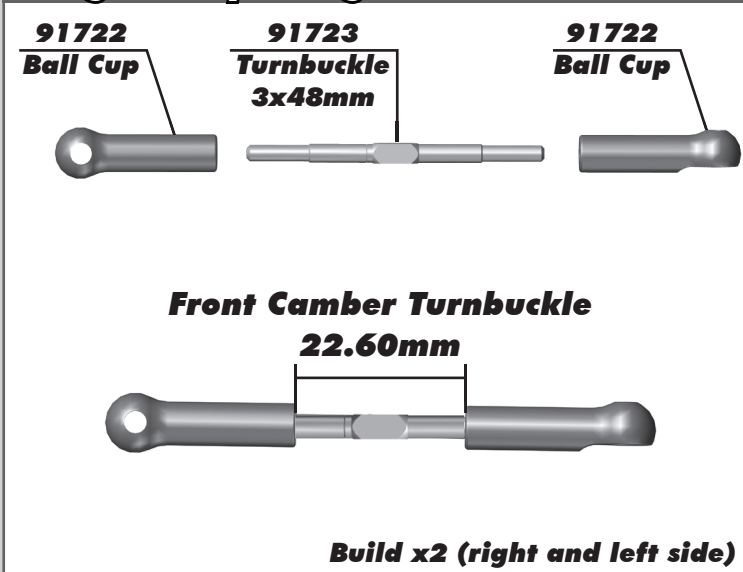
**:: Bag 4 - Step 1 - Pg 9**



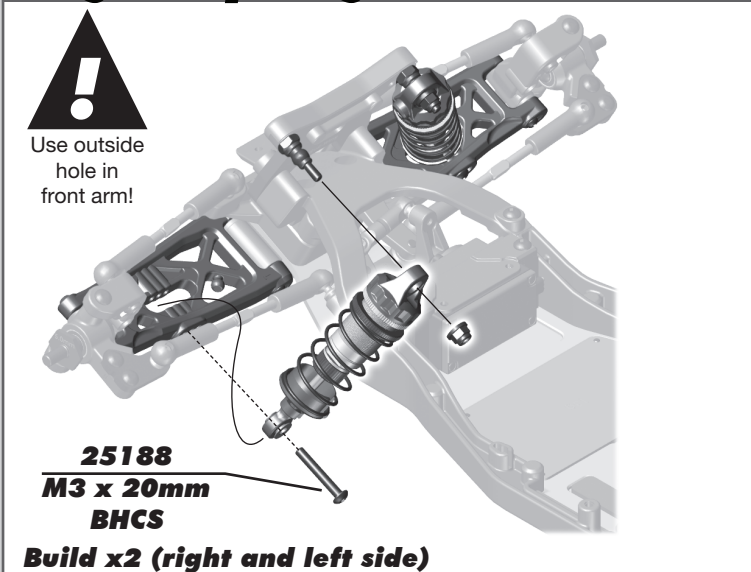
**:: Bag 7 - Step 1 - Pg 13**



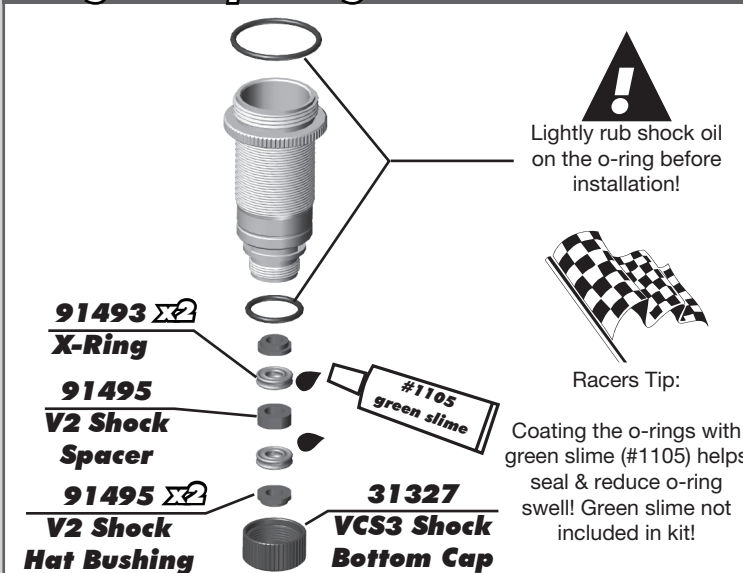
**:: Bag 8 - Step 2 - Pg 15**



**:: Bag 9 - Step 5 - Pg 17**



**:: Bag 9 - Step 1 - Pg 15**



**:: Bag 9 - Step 3 - Pg 16**

