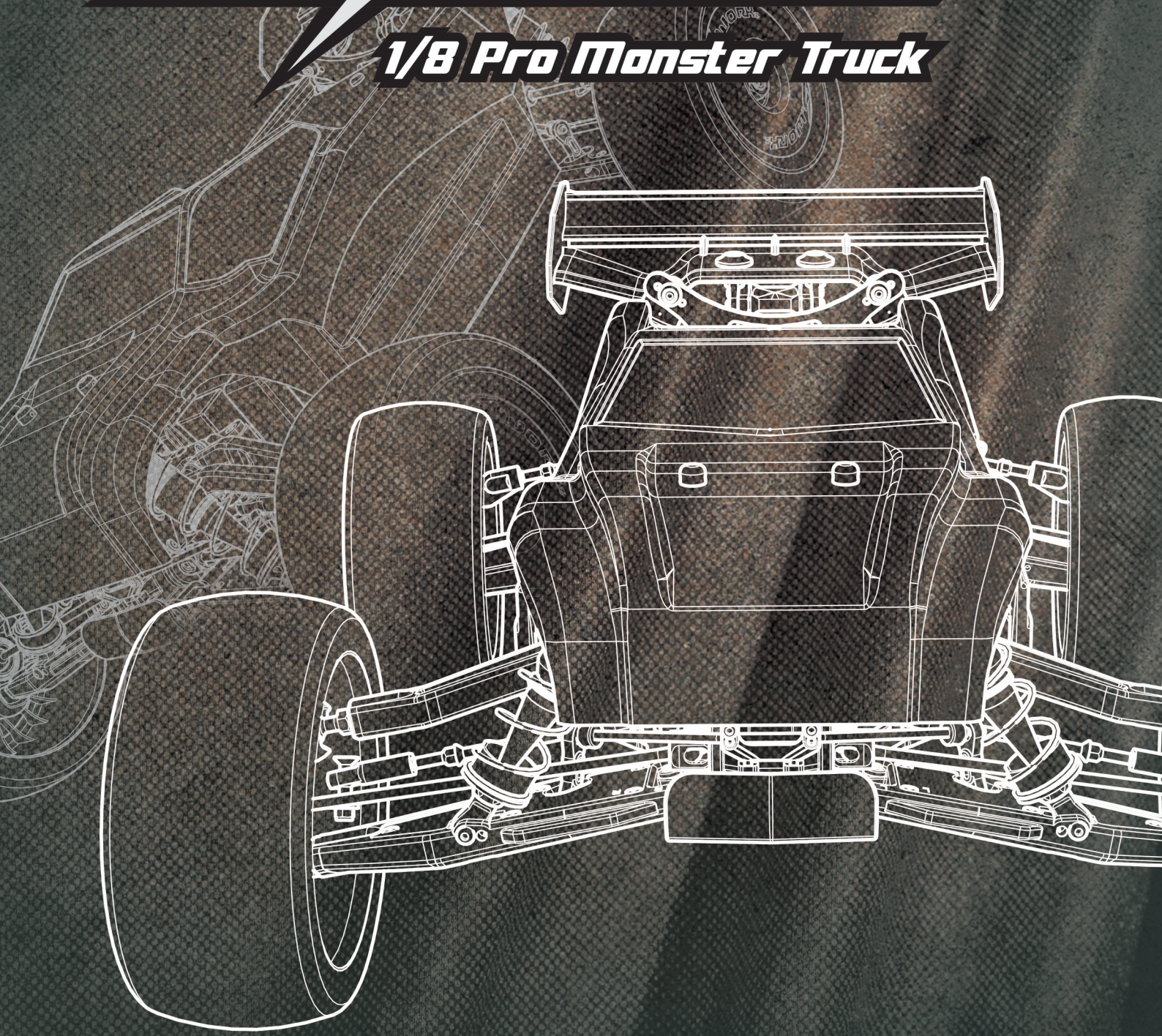


# **ZEUS**

**1/8 Pro Monster Truck**



**SWORKz ZEUS**

**INSTRUCTION MANUAL**







## INTRODUCTION

Congratulations on your purchase of the new SWORKz ZEUS 1/8 scale off-road Pro Monster Truck kit.

The ZEUS project is the result of SWORKz passion for improvement. Combining every detail into a more balanced and improved truck called the "ZEUS". The SWORKz ZEUS Pro Monster Truck Kit comes standard with many SWORKz Factory Team Option Parts which improve strength, performance, and value.

SWORKz utilizes only the highest quality materials and industry leading manufacturing processes resulting in a faster, stronger, and more reliable vehicle. The ZEUS Pro Monster Truck has been designed to out-perform the competition on any Off-Road terrain while offering amazing performance to drivers of all levels.

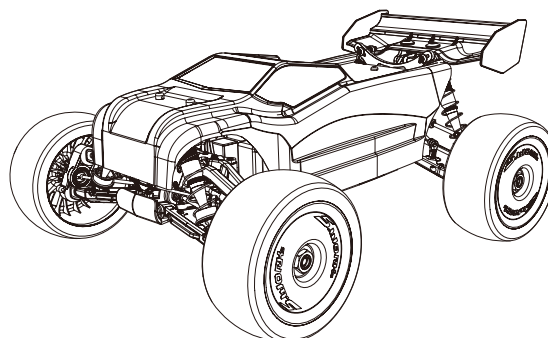
Please read this manual thoroughly before you attempt to start or drive your ZEUS. This manual contains step-by-step instructions to help you complete, prepare for startup, and fine-tune your truck. Updates, setups, and product news will be posted on our website ([www.sworkz.com](http://www.sworkz.com)), so check often.

As always, if you should ever have any questions or need help with your ZEUS, please feel free to contact our official SWORKz dealers and distributors, as they will be glad to help you. You may also contact us at any time for the most up to date information and support.

### ZEUS Kit Features:

1. Lightened chassis with Quality T7075 Aluminum in B.H.C (black hard coating).
2. Quality T7075 Aluminum Front and Rear Shock Towers.
3. SWORKz Pro 2.0 Shock System with 4mm Shock Shafts.
4. High Performance Crown Gears and Pinion Gears.
5. F/R Full CVD Drive Shafts.
6. Aluminum Adjustable Front and Rear Lower Plastic Insert Toe-In system.
7. Double Protection Bumper Design.
8. Sealed Front and Rear Arms design.
9. New Center Diff transmission drive shaft system.
10. Adjustable front upper and lower suspension arm system.
11. Aluminum rear toe in plate is included (SW-330266).
12. Speed Rhino Body Shell included.

Specification	
Length:	530mm
Width:	410mm
Height:	230mm
Ground Clearance:	75mm
Wheelbase:	325-330mm
Track:	F:355mm / R:355mm
Gear Ratio:	C:45-47/15T, F/R 46/10T
Weight:	3950g





## WARRANTY

Your SWORKz ZEUS kit warranty covers workmanship and manufacturing defects of the original and unmodified parts. Warranty claims resulting from crashes, abuse, improper operation, improper mounting, improper adjustment or lack of maintenance will not be honored.

Contact your local hobby shop or SWORKz distributor for all claims and questions. Claims must be well documented. All Claims are subject to expert examination approval by SWORKz.



<b>INTRODUCTION</b>	<b>2</b>
<b>Warranty</b>	<b>3</b>
<b>Required Equipment for Operation</b>	<b>5</b>
<b>Operation Guide</b>	<b>6</b>
<b>Assembly Steps</b>	<b>7-33</b>
<b>Blank Set-up Sheet</b>	<b>34-36</b>
<b>ZEUS Key No. List</b>	<b>37-38</b>
<b>ZEUS Spare Part List</b>	<b>38-39</b>
<b>ZEUS Option Part List</b>	<b>39</b>
<b>End cover</b>	<b>40</b>



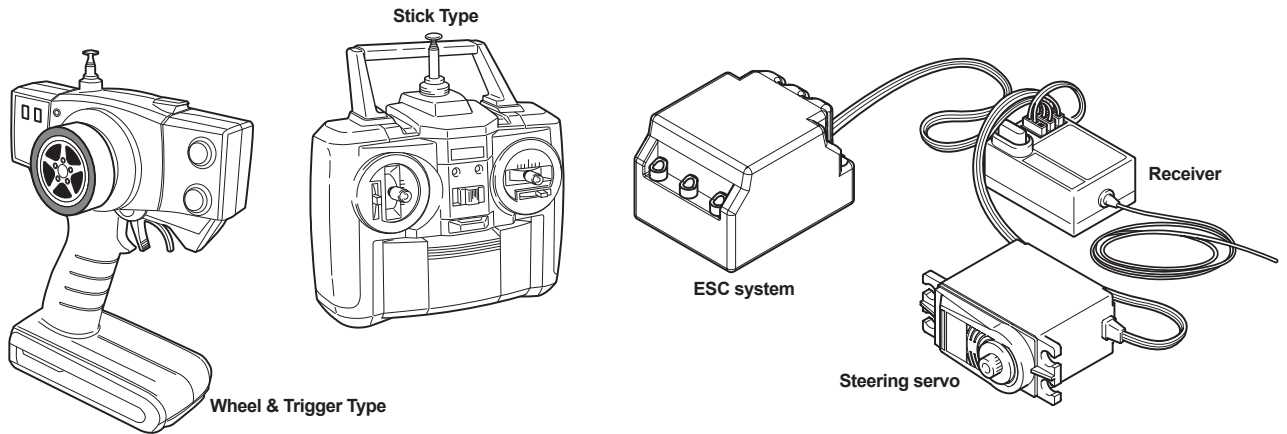
**This radio controlled racing car is not a toy!**

**This high-performance R/C model is recommended for ages 14 and older.**

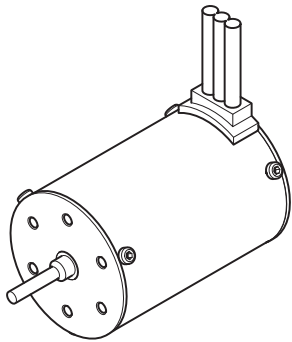


# Required Equipment for Operation

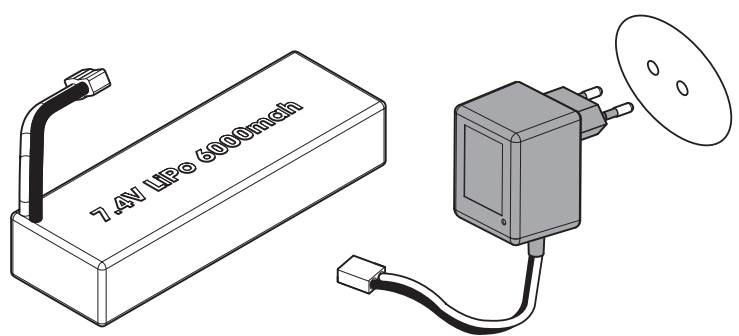
## Radio Gear



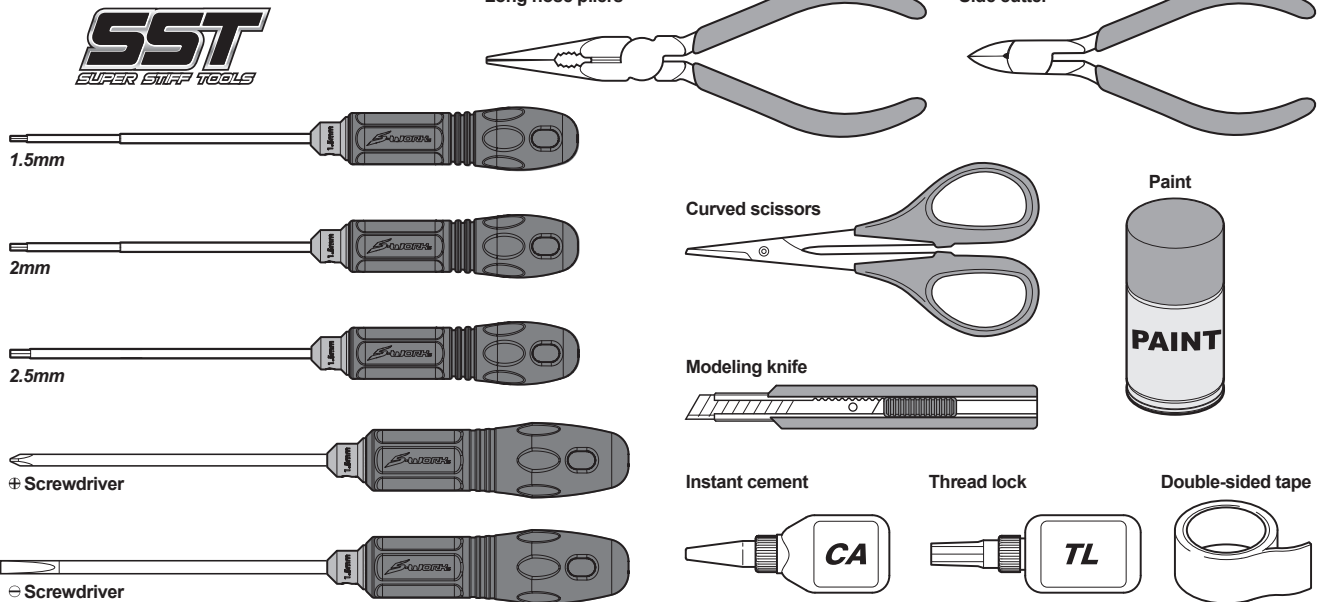
## Breshless Motor



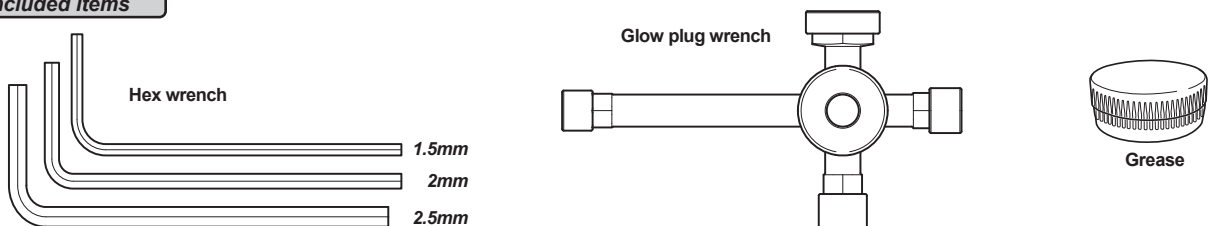
## Charger and LiPo Battery



## Tools Recommended



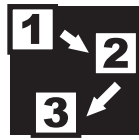
## Included items



## Operation Guide



Assemble front and rear



Assemble in the specified order



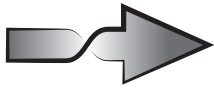
Assemble both left and right sides



Assemble for 2 sets



Assemble for 4 sets



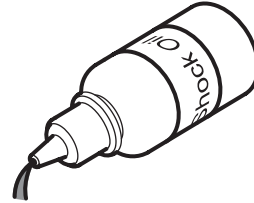
overturn



Thread Locking Compound



Grease



Pure Silicone Oil



Air filter oil

## Safety Precautions

The SWORKz ZEUS is a high performance radio controlled model which needs to be operated with caution and common sense.

The ZEUS Kit is not intended for children under the age of 14 without adult supervision. SWORKz shall not be held liable for any loss or damages, whether direct, indirect, act of nature, arising from the abuse or misuse of this product or any other product required while operating this model.

- The LiPO Battery can be dangerous is improperly handled.
- Always keep your LiPO Battery in a cool area and never use near flame, sparks, or while smoking.
- Keep your LiPO Battery, and all other flammables, out of the reach of children.
- After running your car, all parts of the Motor and ESC can become extremely hot. Be careful not to touch these parts.
- This model is controlled by your radio and that is vulnerable to interference from many outside sources. This interference can cause a loss of control so it is necessary to operate this model in an open area to avoid personal, or property damage. Always ensure turning on your radio first.
- Keep all the products included in the package out of reach of children.
- This model contains many fast rotating parts. Never touch them during operation.
- Follow the instruction included with your radio gear.
- Never operate your model near people or property. The speed of this model has the potential for injury and or damage to people and or property.
- Always use original SWORKz spare and option parts.
- Always ensure the buggy is in proper working condition before use.
- Always exercise caution when using any and all tools.

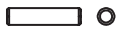


# BAG B

## 1

**F**  
**R**

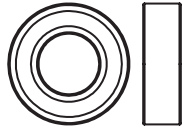
**x2**



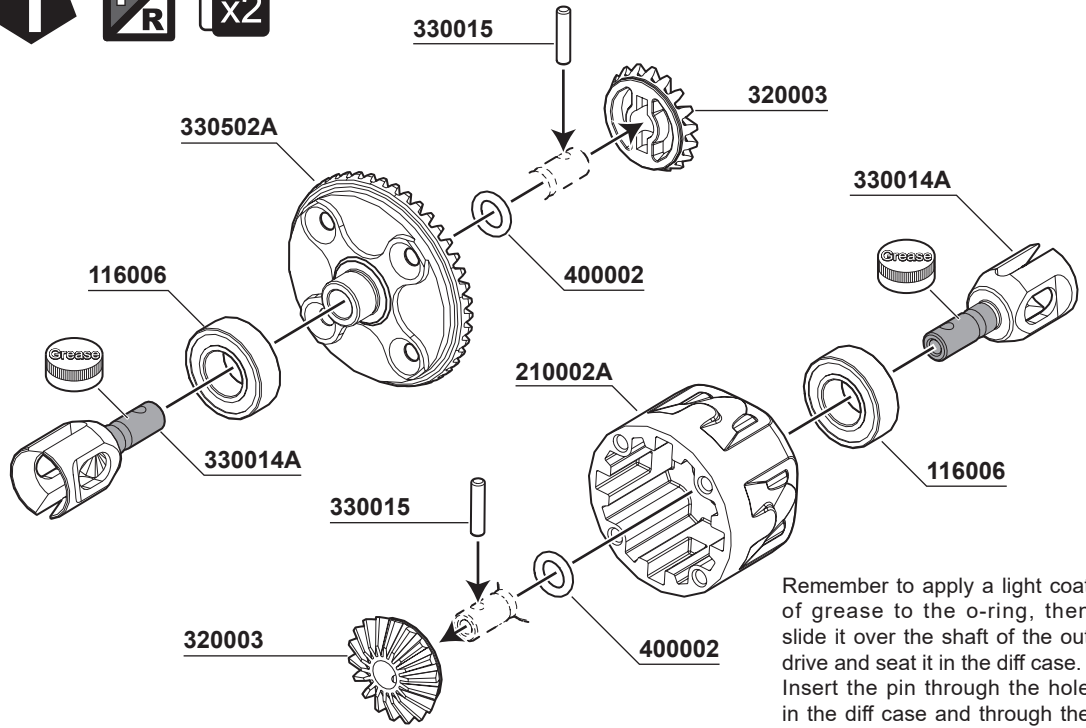
**330015**  
Pin M2.2x9.9mm **x4**



**400002**  
O-ring S5 4.8X1.5 **x4**



**116006**  
Ball Bearing 8x16x5mm **x4**



Remember to apply a light coat of grease to the o-ring, then slide it over the shaft of the out drive and seat it in the diff case. Insert the pin through the hole in the diff case and through the hole in the shaft of the out drive.

## 2

**F**  
**R**

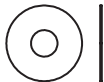
**x2**



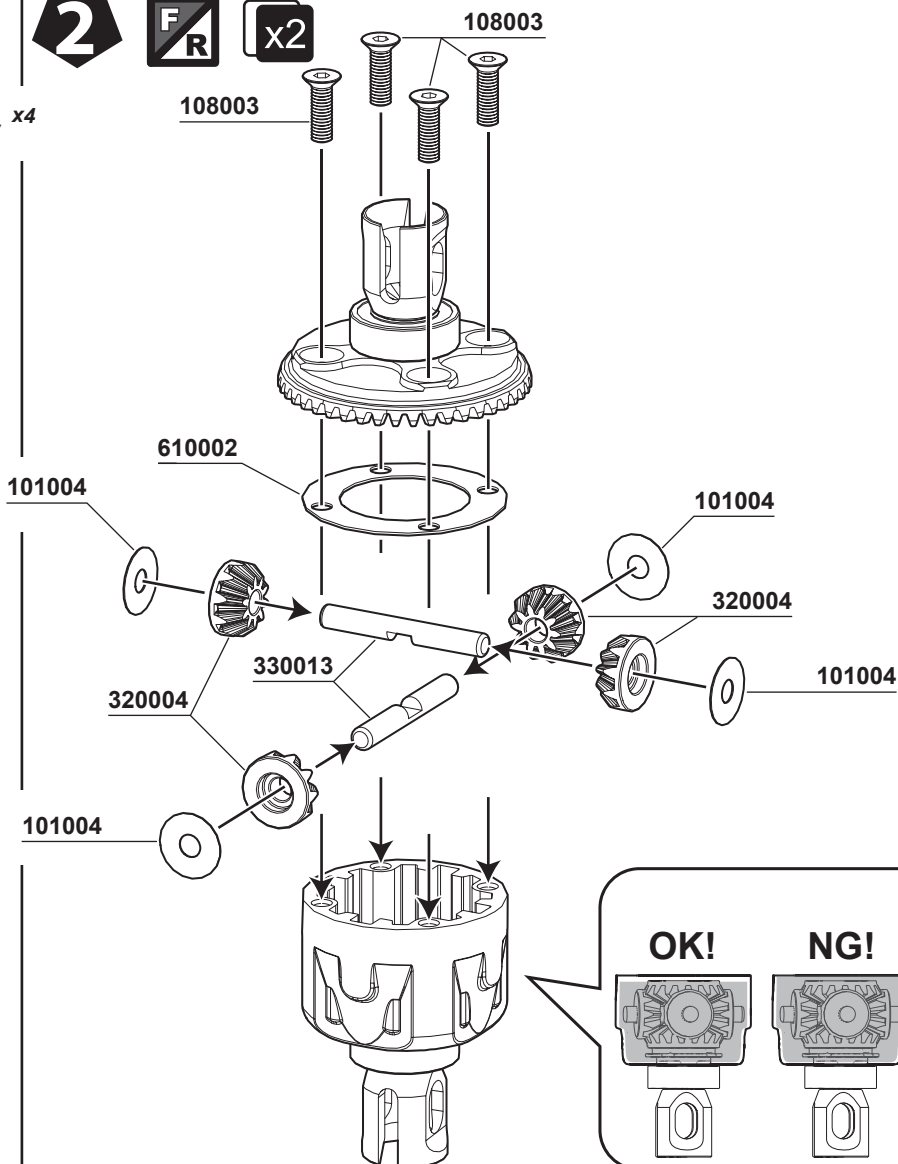
**108003**  
M3x10mm FH/ST HEX Screw **x4**



**330013**  
Bevel Gear Shaft **x4**



**101004**  
Washer 3.5X10X0.2mm **x8**

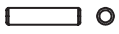


**OK!**

**NG!**

Fill the differentials with oil up to 80% above the satellite gears. Put the SWORKz Diff. Oil 7000cps for the front Diff. and 3000cps for the rear Diff.

**3**



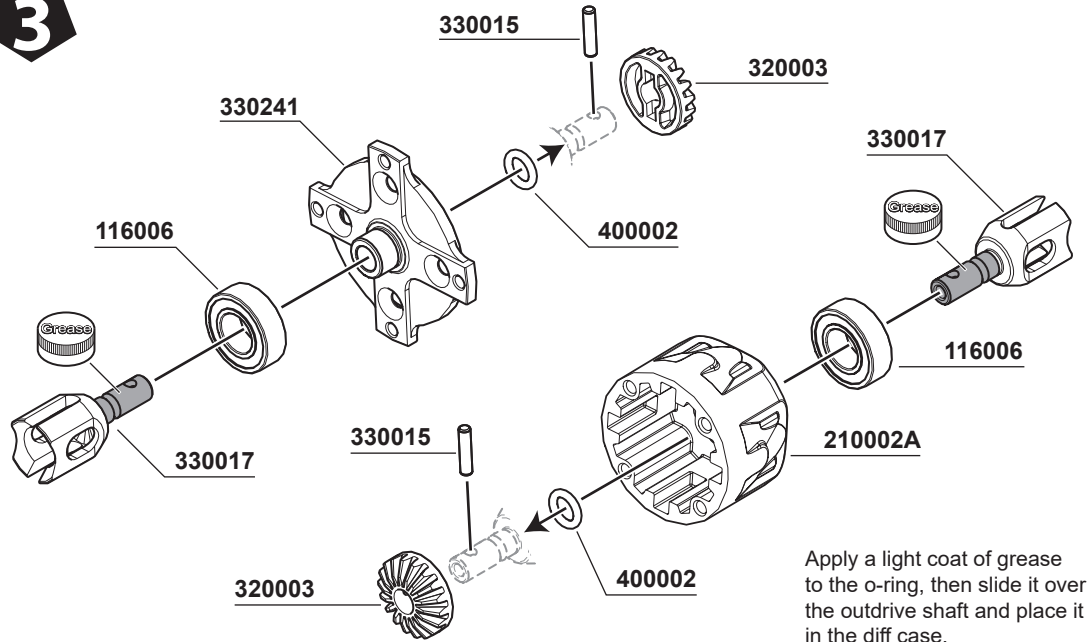
**330015**  
Pin M2.2x9.9mm x2



**400002**  
O-ring S5 4.8X1.5 x2



**116006**  
Ball Bearing 8x16x5mm x2



Apply a light coat of grease to the o-ring, then slide it over the outdrive shaft and place it in the diff case. Insert the pin through the hole of the out drive.

**4**



**108007**  
M3x6mm FH/ST HEX Screw x4



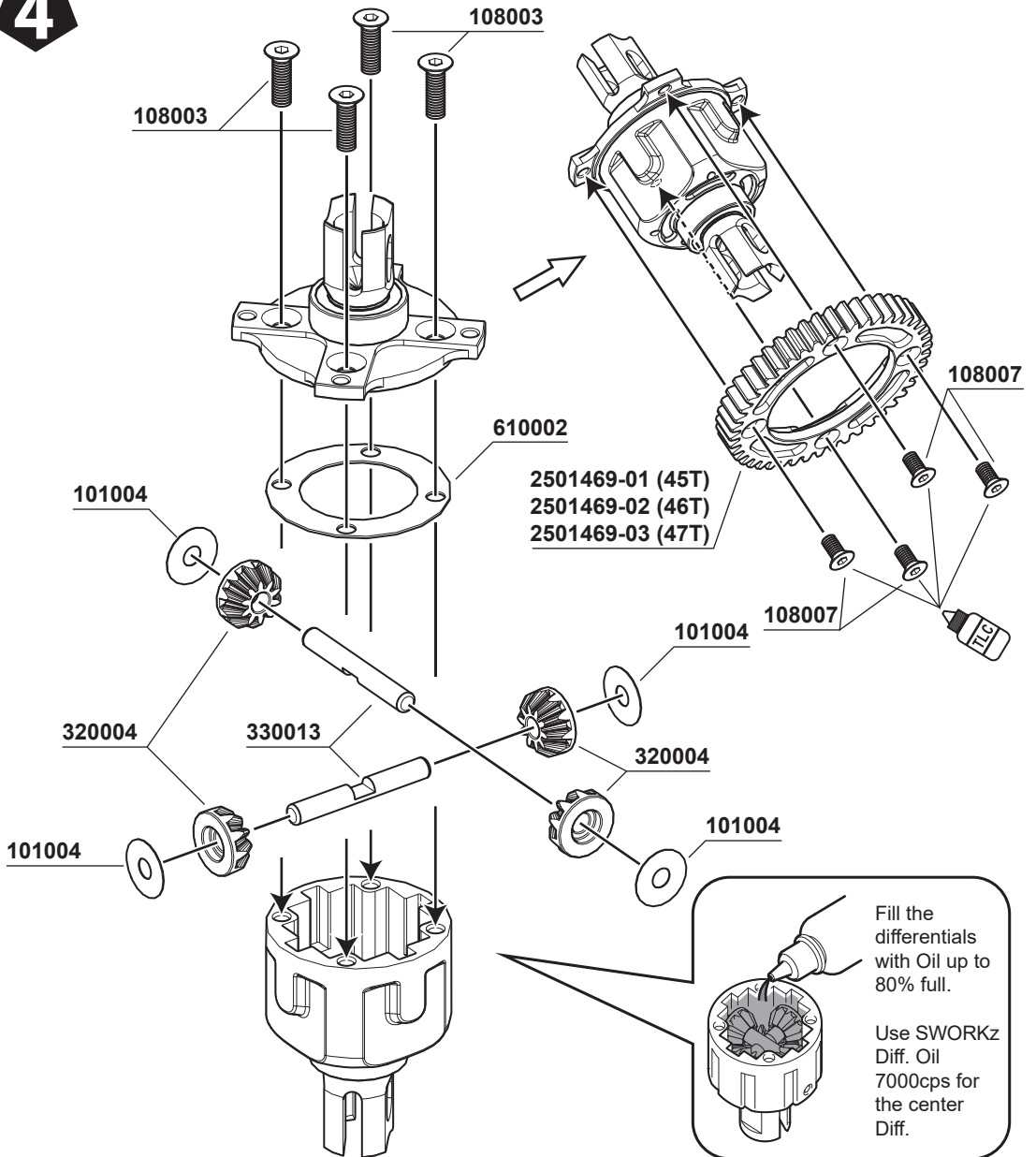
**108003**  
M3x10mm FH/ST HEX Screw x4



**330013**  
Bevel Gear Shaft x2



**101004**  
Washer 3.5X10X0.2mm x4



Fill the differentials with Oil up to 80% full.  
Use SWORKz Diff. Oil 7000cps for the center Diff.





**104010**  
M5x4mm Set Screw (Flat Bottom) x1



**106010**  
M3x6mm Hex Socket OH/TP Screw x3

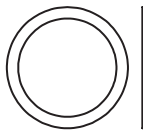


**108001**  
M3x12mm FH/ST HEX Screw x4



**116006**  
Ball Bearing 8x16x5mm x2

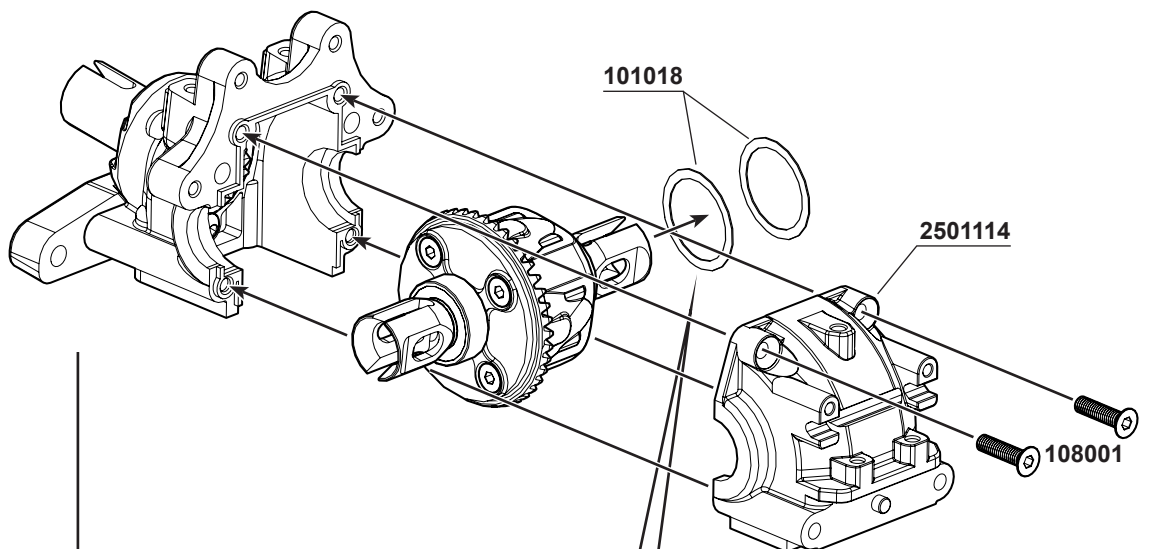
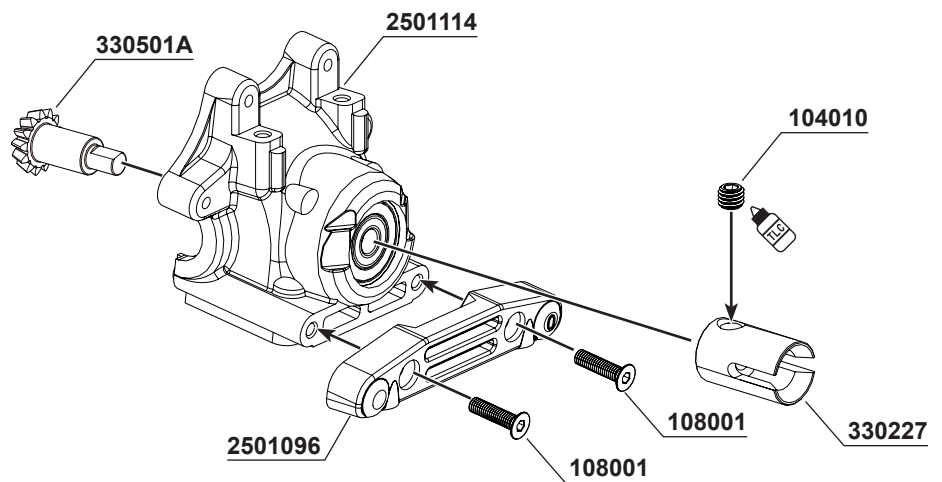
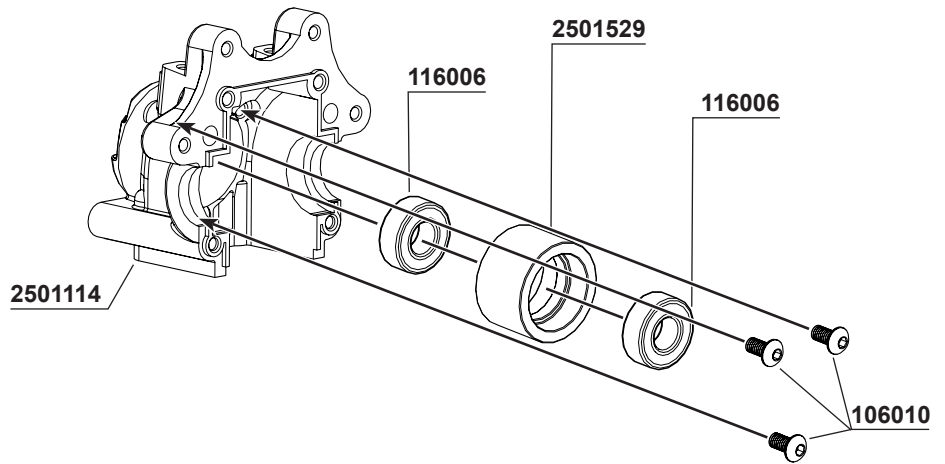
x3



**101018**  
SHIM 13x16x0.2mm



**106012**  
M3x35mm Hex Scket OH/TP Screw x2



Please use the SHIM 13x16x0.2mm to adjust when the play was bigger between the crown gear and pinion gear.

# 6 Rear

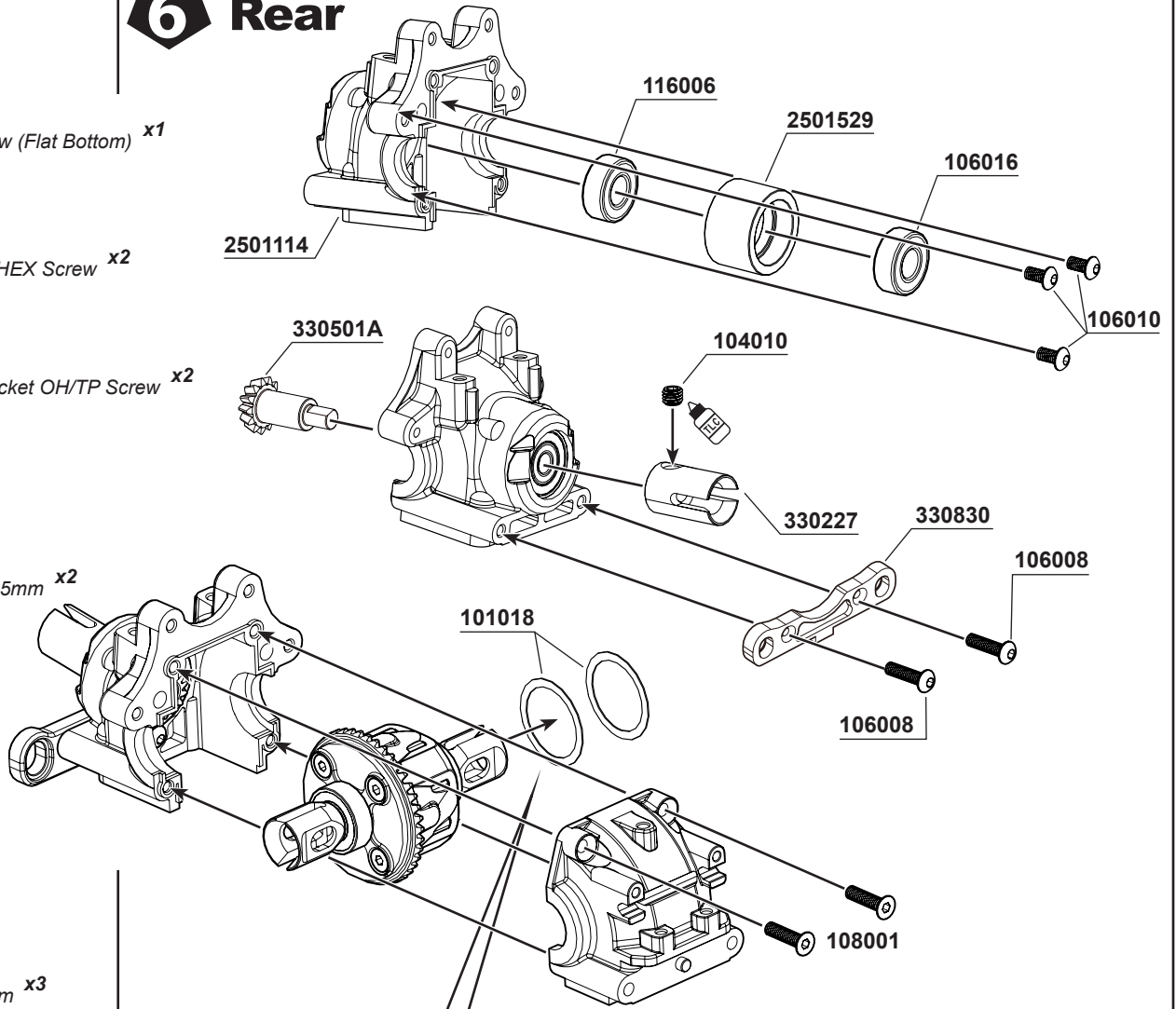
**104010**  
M5x4mm Set Screw (Flat Bottom) x1

**108001**  
M3x12mm FH/ST HEX Screw x2

**106008**  
M3x12mm Hex Socket OH/TP Screw x2

**116006**  
Ball Bearing 8x16x5mm x2

**101018**  
SHIM 13x16x0.2mm x3



Please use the SHIM 13x16x0.2mm to adjust when the play was bigger between the crown gear and pinion gear.

# BAG E1

# 7

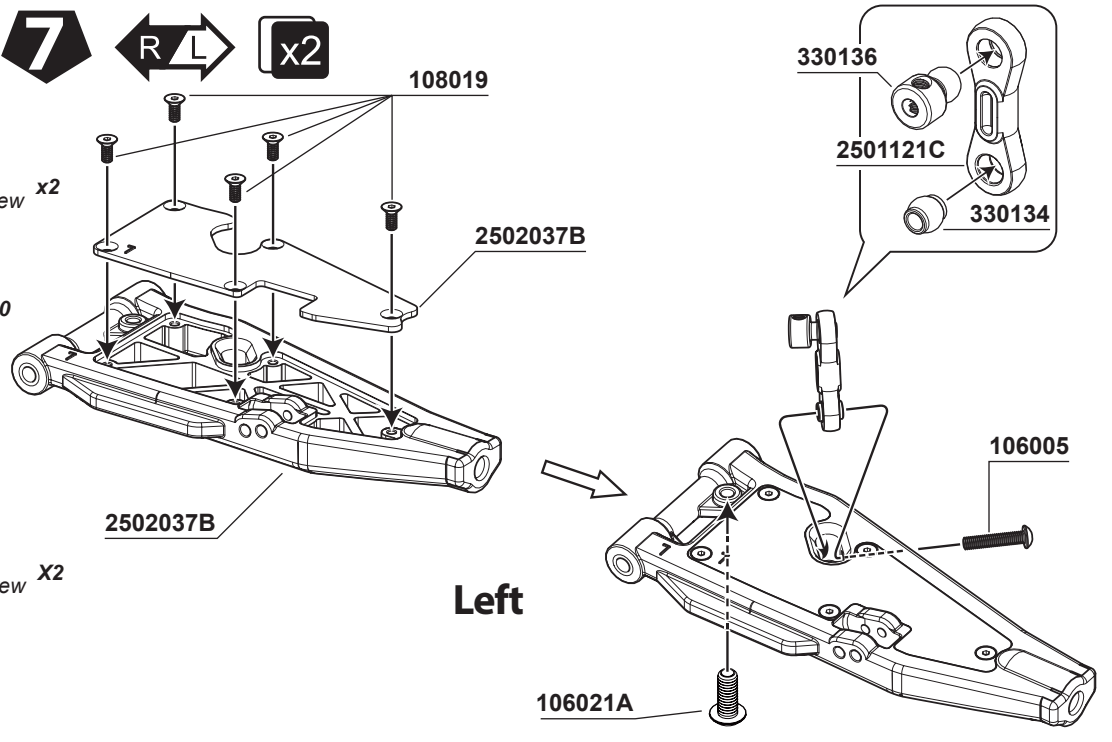


x2

**106005**  
M3x15mm Hex Socket OH/TP Screw x2

**108019**  
M2.6x6mm FH/ST HEX Screw x10

**106021A**  
M4x10mm Hex Socket OH/TP Screw x2



Left





**8**



**108008**  
M3x35mm FH/ST HEX Screw x2

**2501100**

**2501100**



**101020A**  
3mm Countersunk Washers (GM) x2

**2503260-24.25**

**330103**

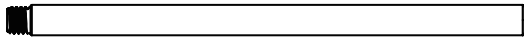
**2503260-24.25**

**330831**

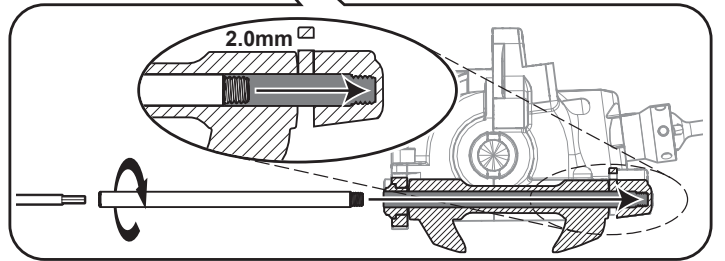
**101020A**

**108008**

Use a 2mm Hex Wrench and slowly tighten the Hinge Pins.



**330103**  
Front/Rear Lower Arm HingPin x2



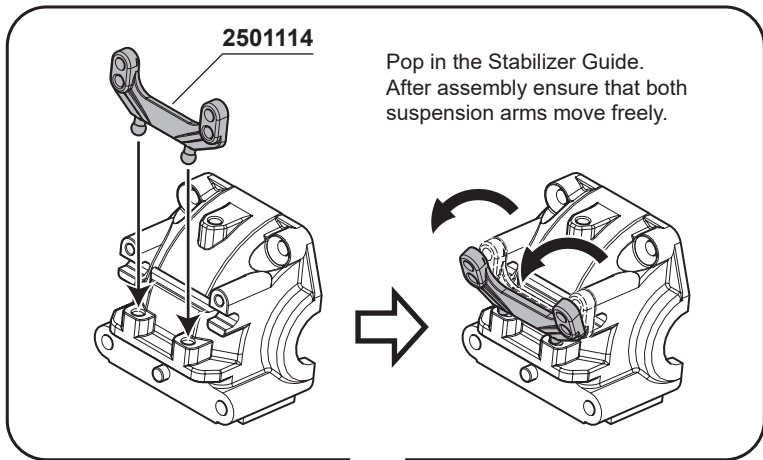
**9**



**104004**  
M3x3mm Set Screw x2

**2501114**

Pop in the Stabilizer Guide.  
After assembly ensure that both suspension arms move freely.



**104004**

**104004**

**115008**



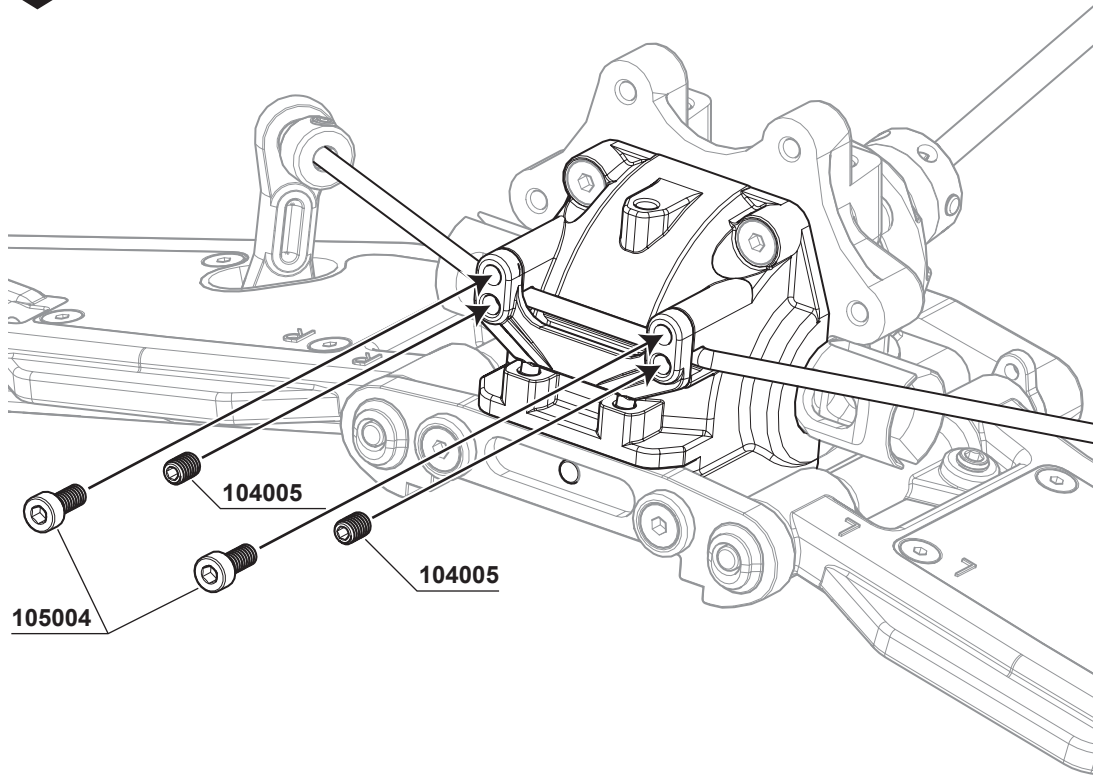
**10**



**104005**  
M3x4mm Set Screw x2



**105004**  
M2.6x6mm Cap Screw x2



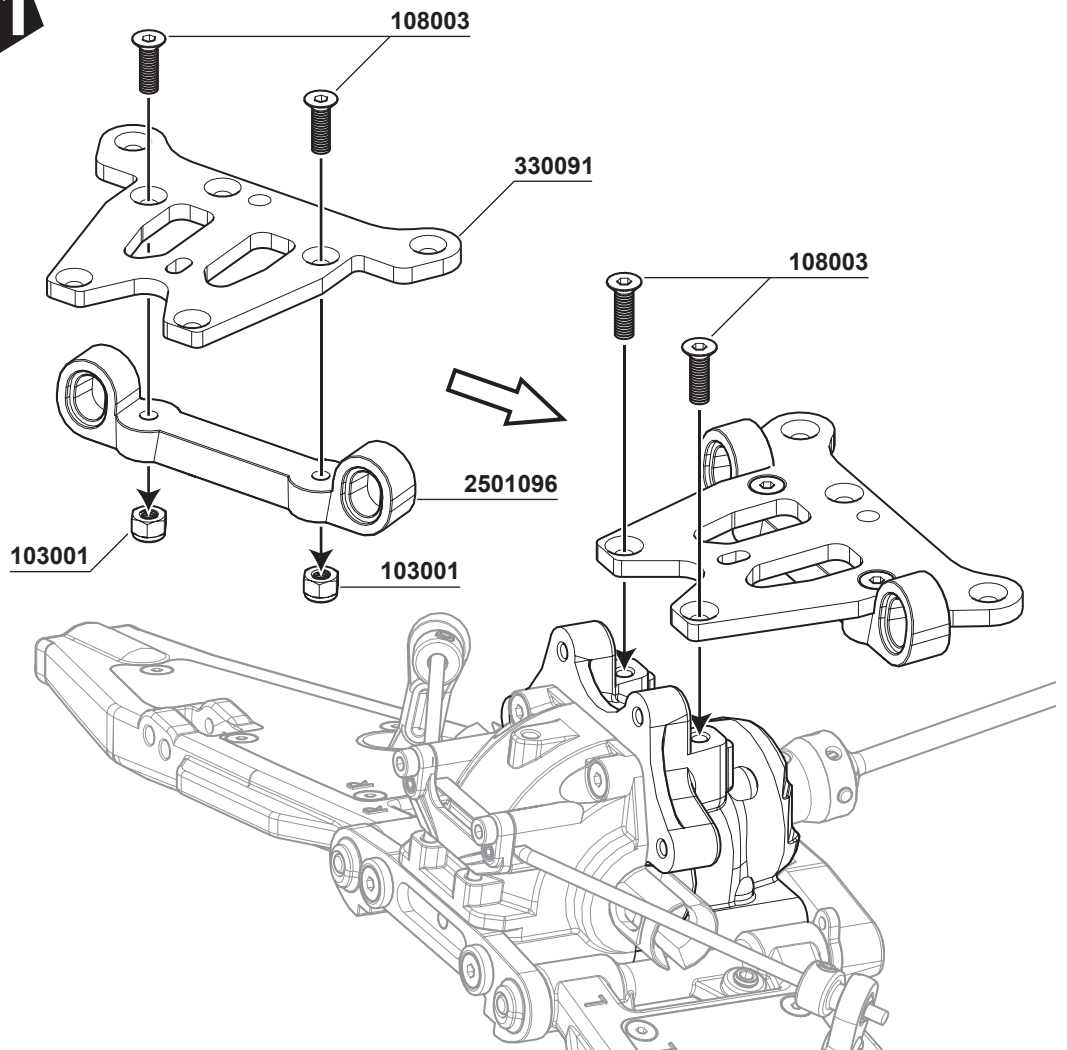
**11**



**103001**  
M3 Nut Lock x2



**108003**  
M3x10mm FH/ST HEX Screw x4







**108001**  
M3x12mm FH/ST HEX Screw x4

2501099

2501100

330119

2502039B

2501099

2502040-02

2501099

330119

2501100

106002

106002

2501099

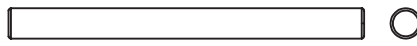
108001

330815A

2502039B



**106002**  
M3x10 mm Hex Socket OH/TP Screw x2



**330119**  
Front Upper Arm HingPin x2

**13** **R L** **x2**

330136

2501121C

330134

108019

2502038B

2502038B



**106021A**  
M4x10mm Hex Socket OH/TP Screw x2



**106005**  
M3x15mm Hex Socket OH/TP Screw x2



**108019**  
M2.6x6mm FH/ST HEX Screw x12

106021A

106005



# 14



**108009**  
M3x20mm FH/ST HEX Screw x2



**108005**  
M3x14mm FH/ST HEX Screw x2



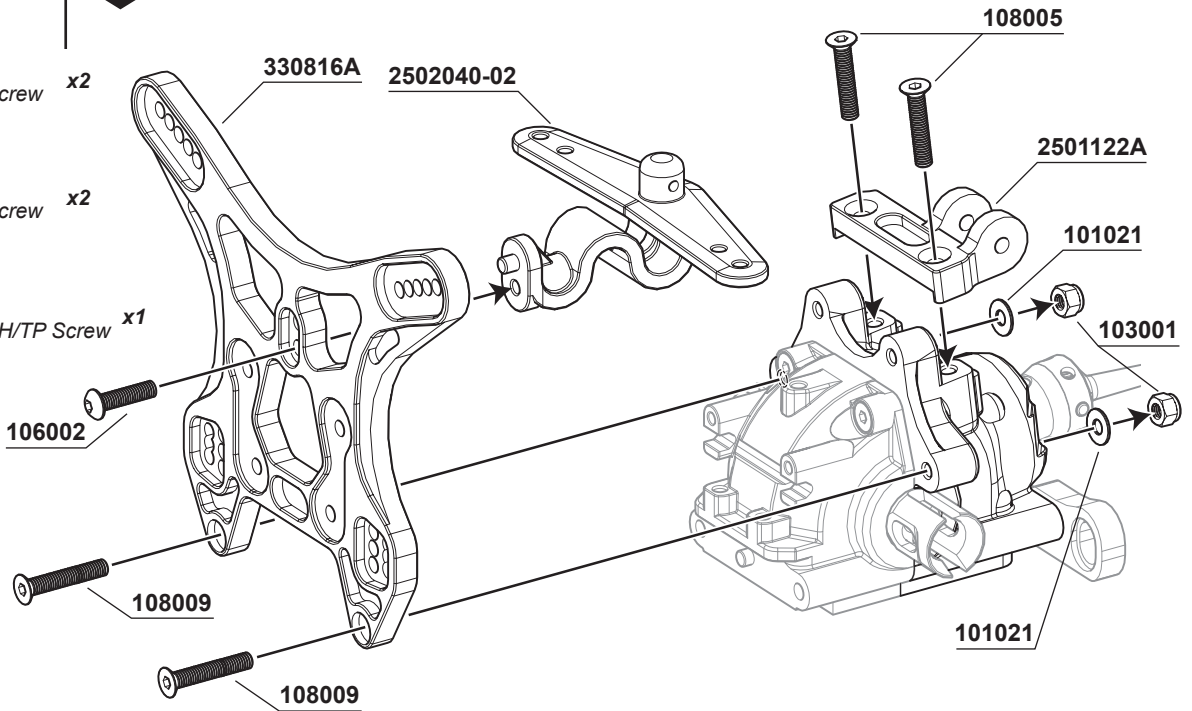
**106002**  
M3x10mm Hex Socket OH/TP Screw x1



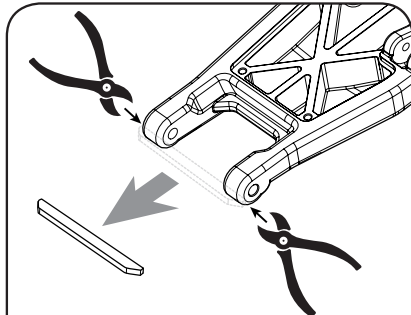
**103001**  
M3 Nut Lock x2



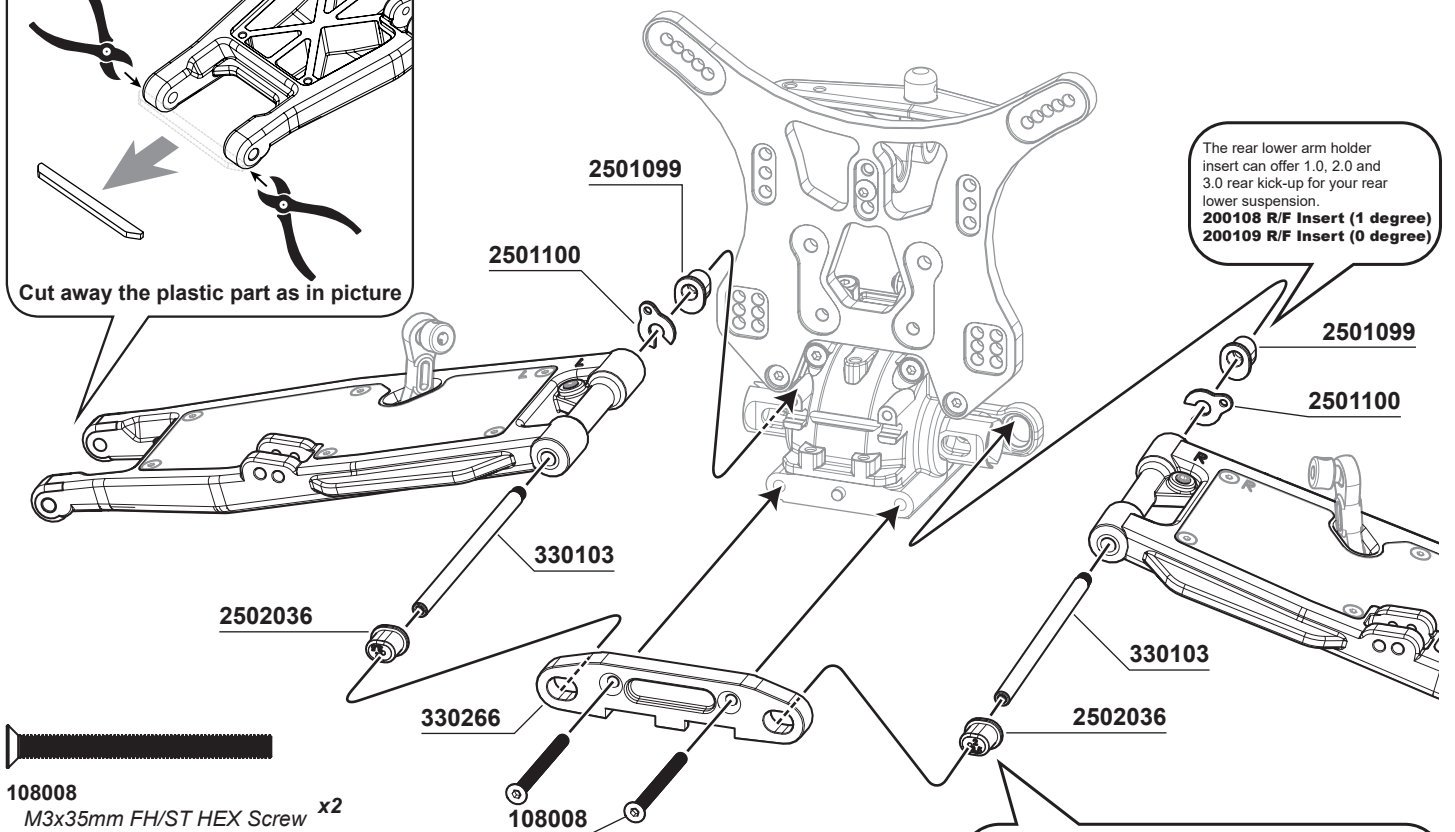
**101021**  
M3x8xT1mm x2



# 15



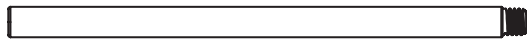
Cut away the plastic part as in picture



The rear lower arm holder insert can offer 1.0, 2.0 and 3.0 rear kick-up for your rear lower suspension.  
**200108 R/F Insert (1 degree)**  
**200109 R/F Insert (0 degree)**




**108008**  
M3x35mm FH/ST HEX Screw x2

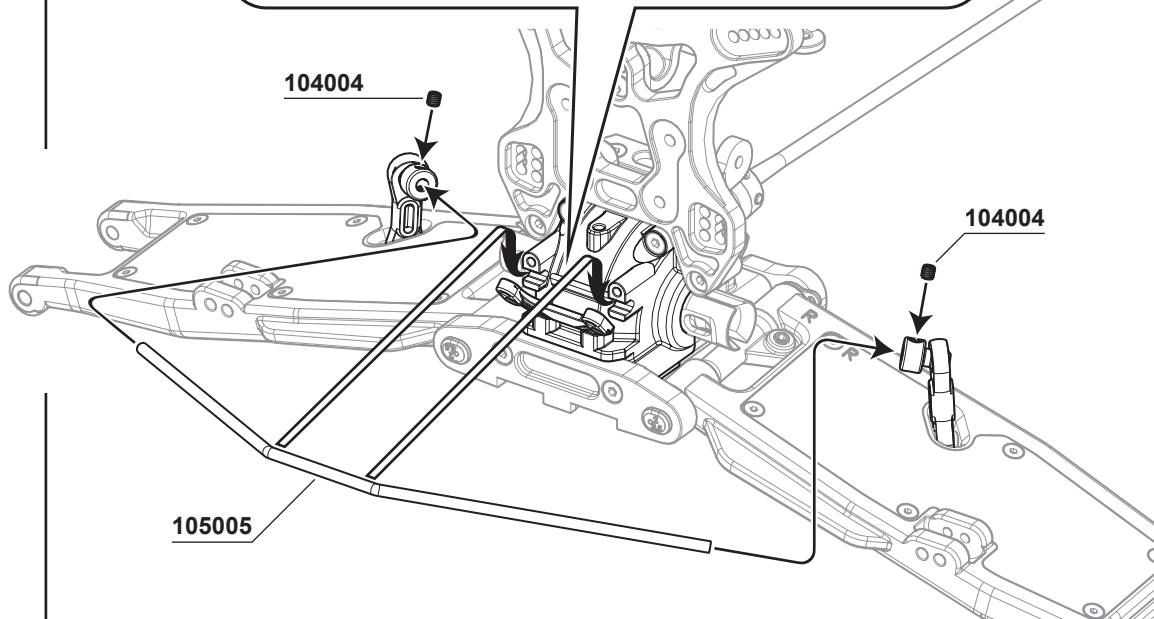
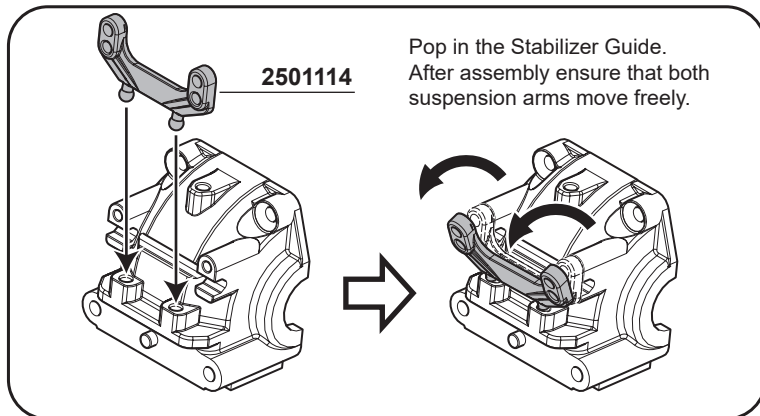


**330103**  
Front/Rear Lower Arm HingPin x2


The new rear changeable plastic lower arm plate with 2 inserts can offer 2.0, 3.0 and 3.5 rear toe-in for your rear lower suspension.  
**200480 Rear Changeable Lower Arm Plate Insert (2.0/3.5 Degree)**  
**200481 Rear Changeable Lower Arm Plate Insert (3.0 Degree)**

**16**

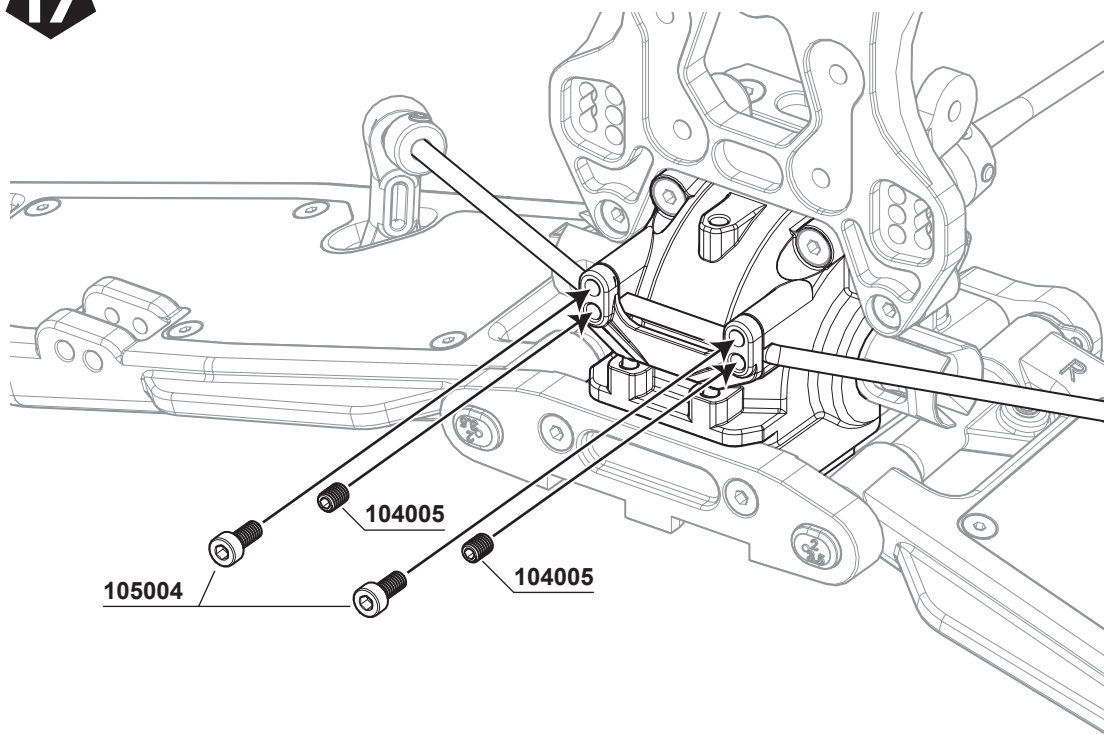
 **104004**  
M3x3mm Set Screw x2



 **104005**  
M3x4mm Set Screw x2

 **105004**  
M2.6x6mm Cap Screw x2

**17**







**103001**  
M3 Nut Lock x2



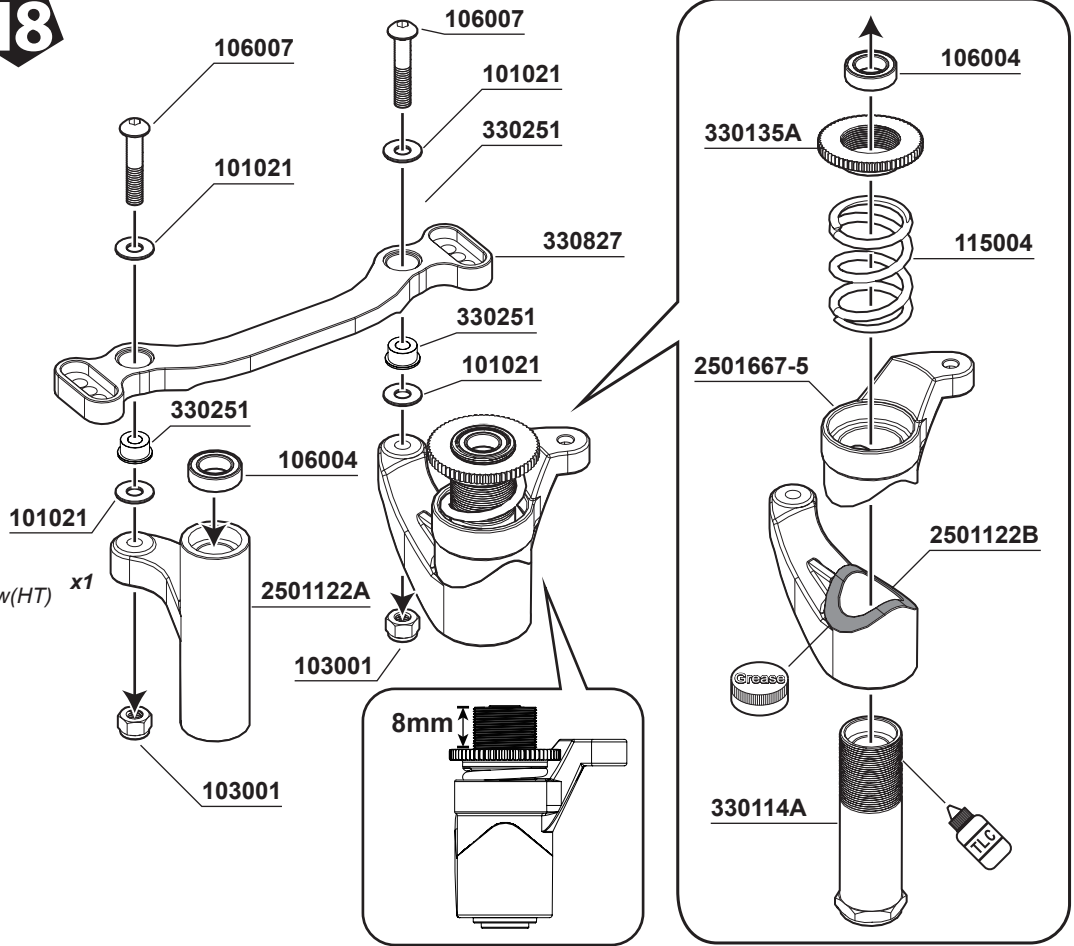
**101021**  
M3x8xT1mm x4



**116004**  
Ball Bearing 6x10x3mm x2



**106007**  
M3x12mm Hex Socket OH/TP Screw(HT) x1



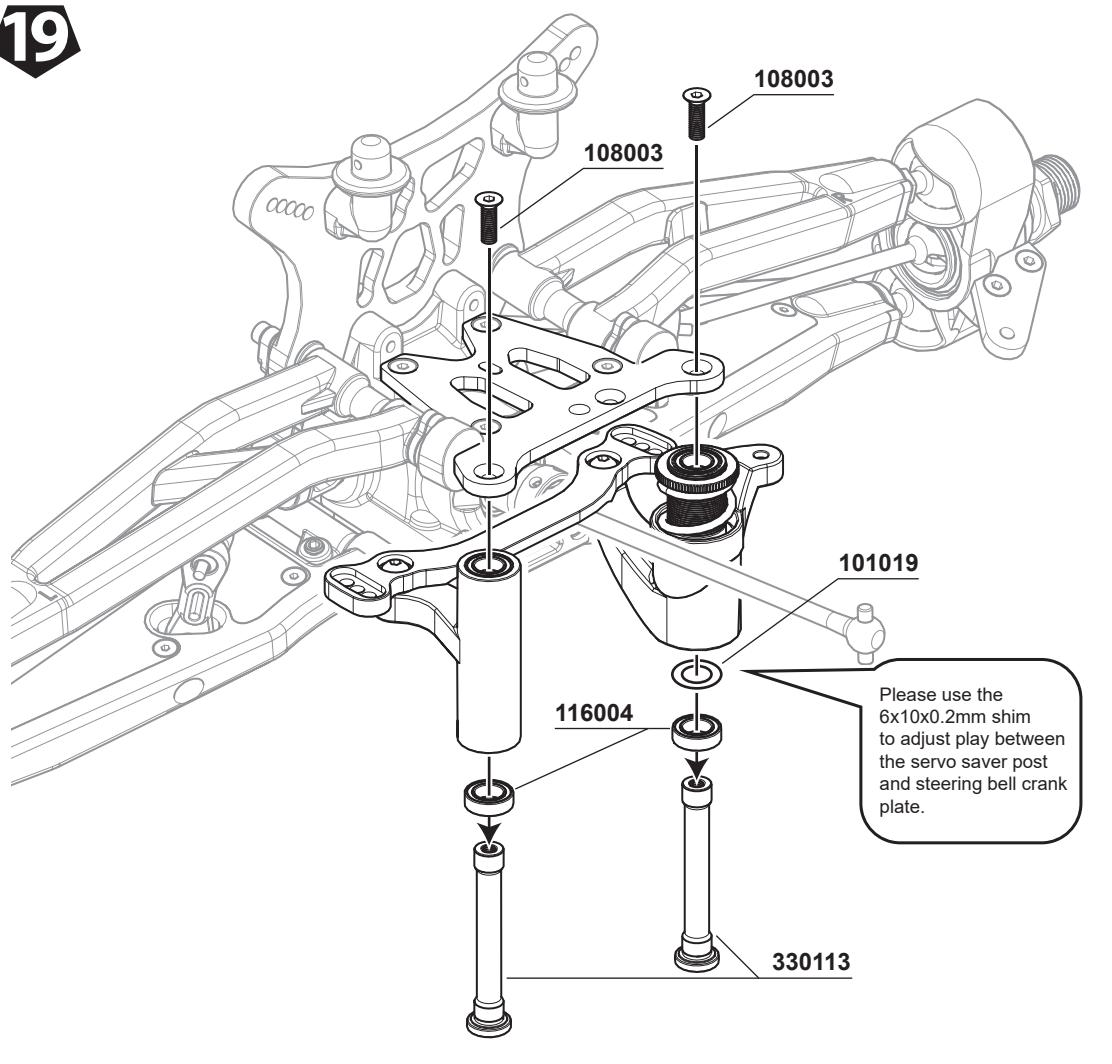
**108003**  
M3x10mm FH/ST HEX Screw x2



**116004**  
Ball Bearing 6x10x3mm x2

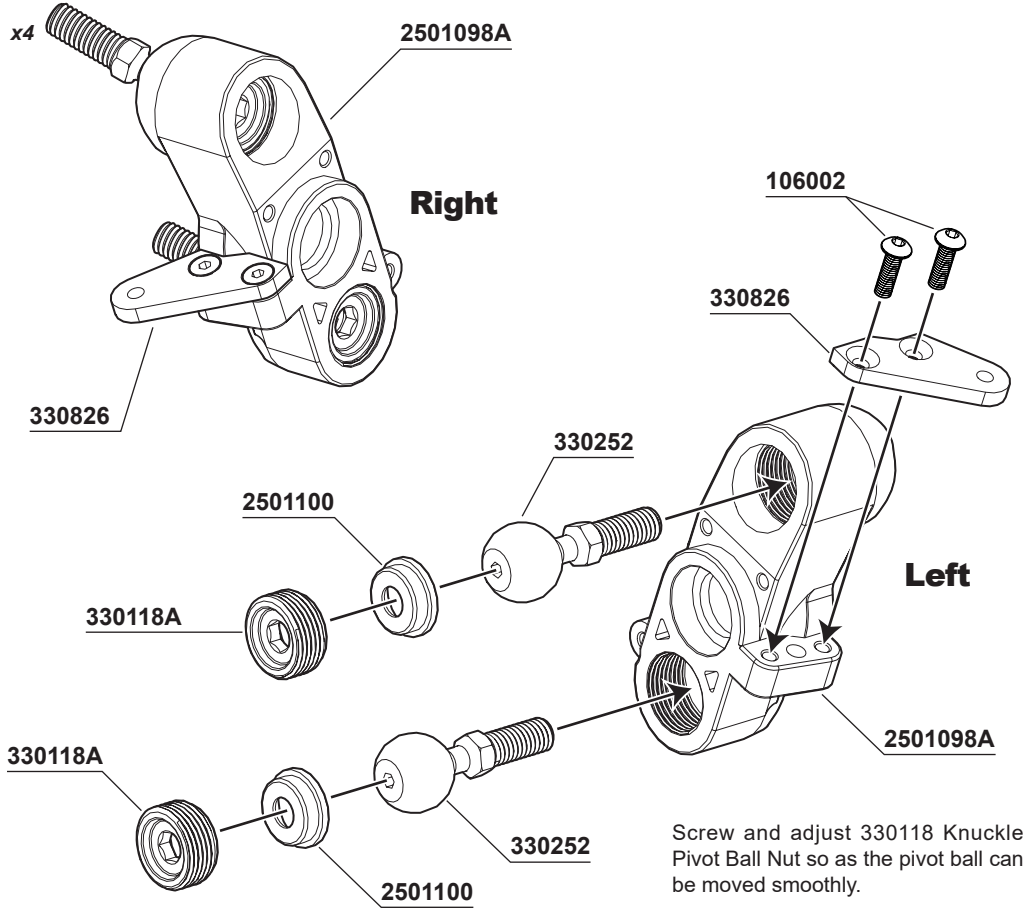


**101019**  
SHIM 6.0x10.0x0.2mm x1

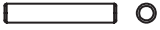




**106002**  
M3x10mm Hex Socket OH/TP Screw x4



**104010**  
M5x4mm Set Screw (Flat Bottom) x2



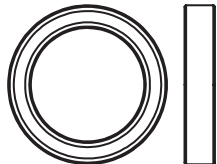
**330111**  
Pin M2.5x14.8mm x2



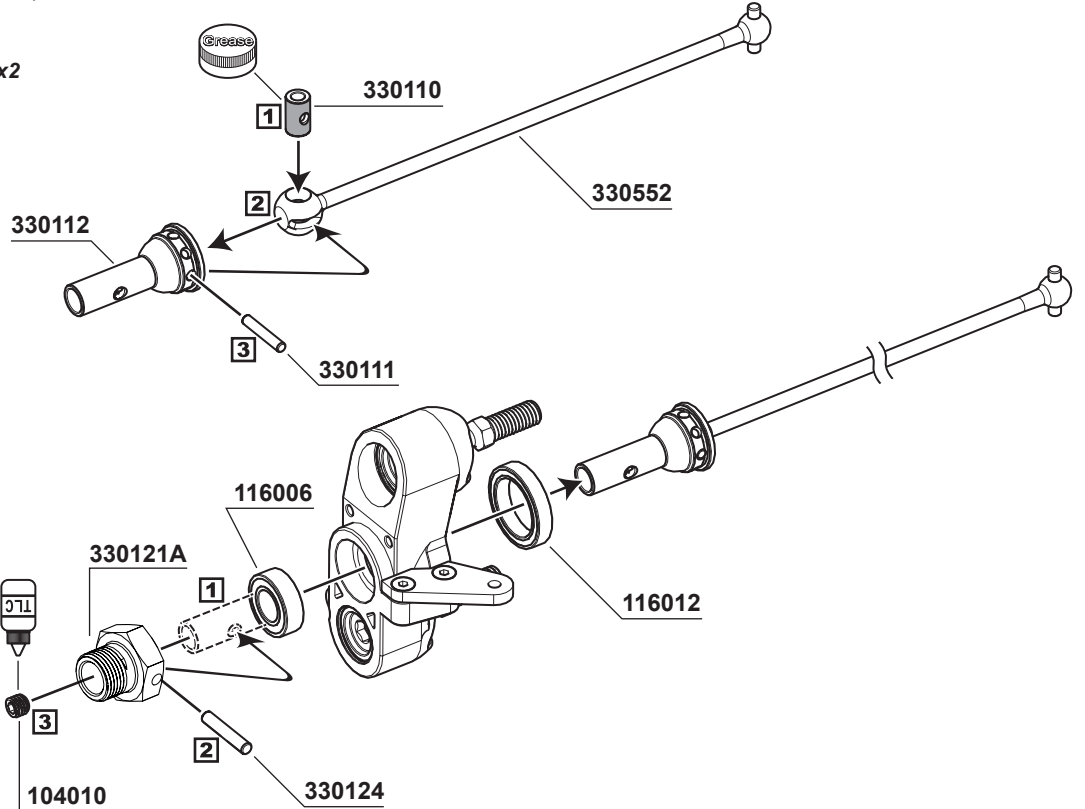
**330124**  
Pin M3.0x16.8mm x2



**116006**  
Ball Bearing 8x16x5mm x2

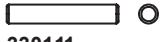


**116012**  
Ball Bearing 15x21x4mm x2

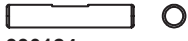




**104010**  
M5x4mm Set Screw (Flat Bottom) x2



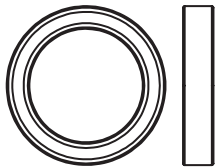
**330111**  
Pin M2.5x14.8mm x2



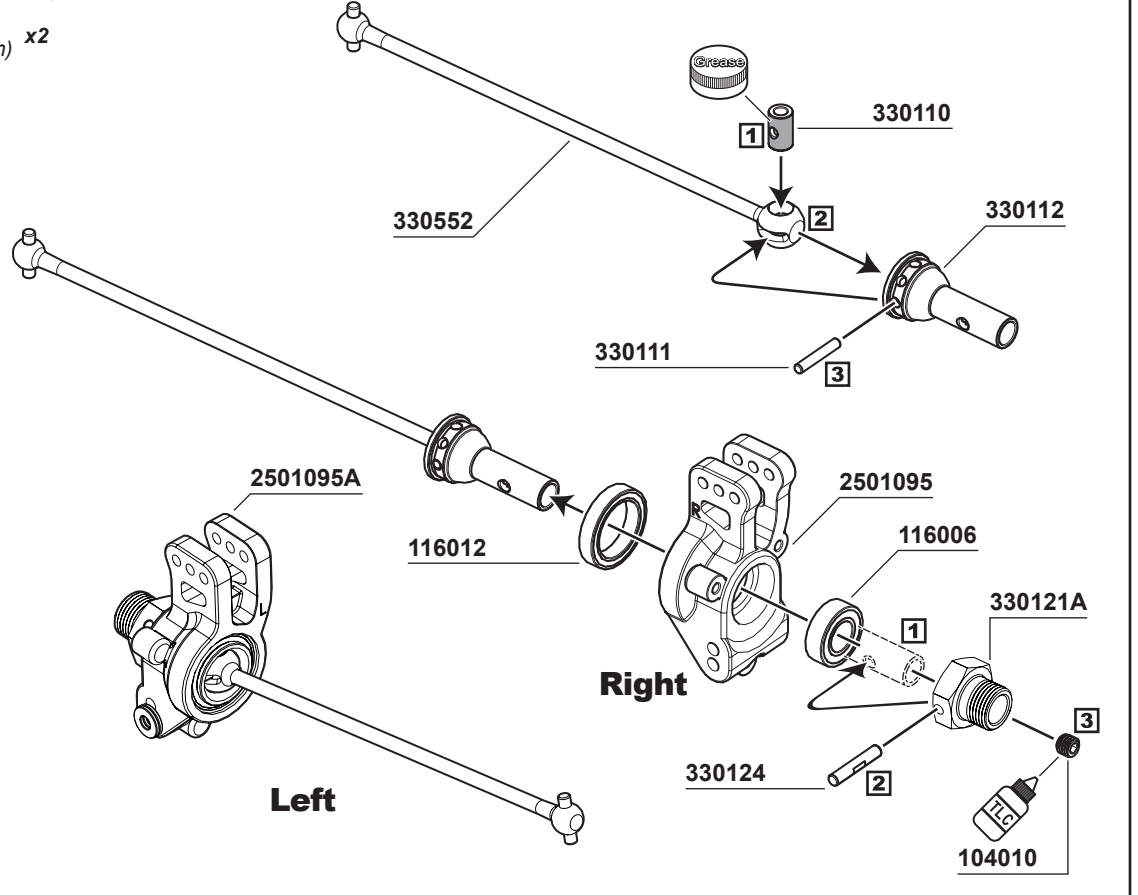
**330124**  
Pin M3.0x16.8mm x2



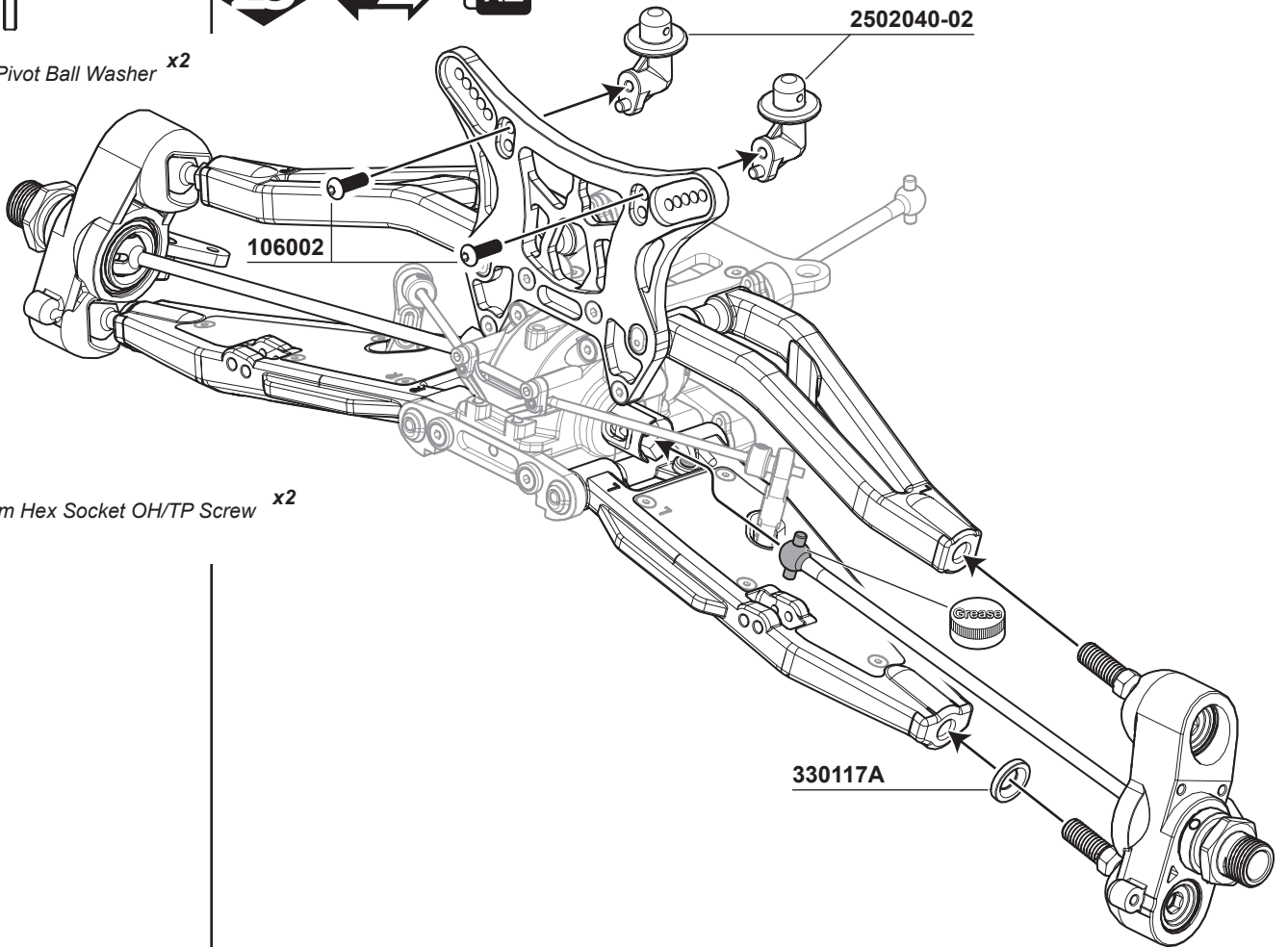
**116006**  
Ball Bearing 8x16x5mm x2



**116012**  
Ball Bearing 15x21x4mm x2



**330117A**  
Knuckle Pivot Ball Washer x2



**106002**  
M3x10mm Hex Socket OH/TP Screw x2





26  x2



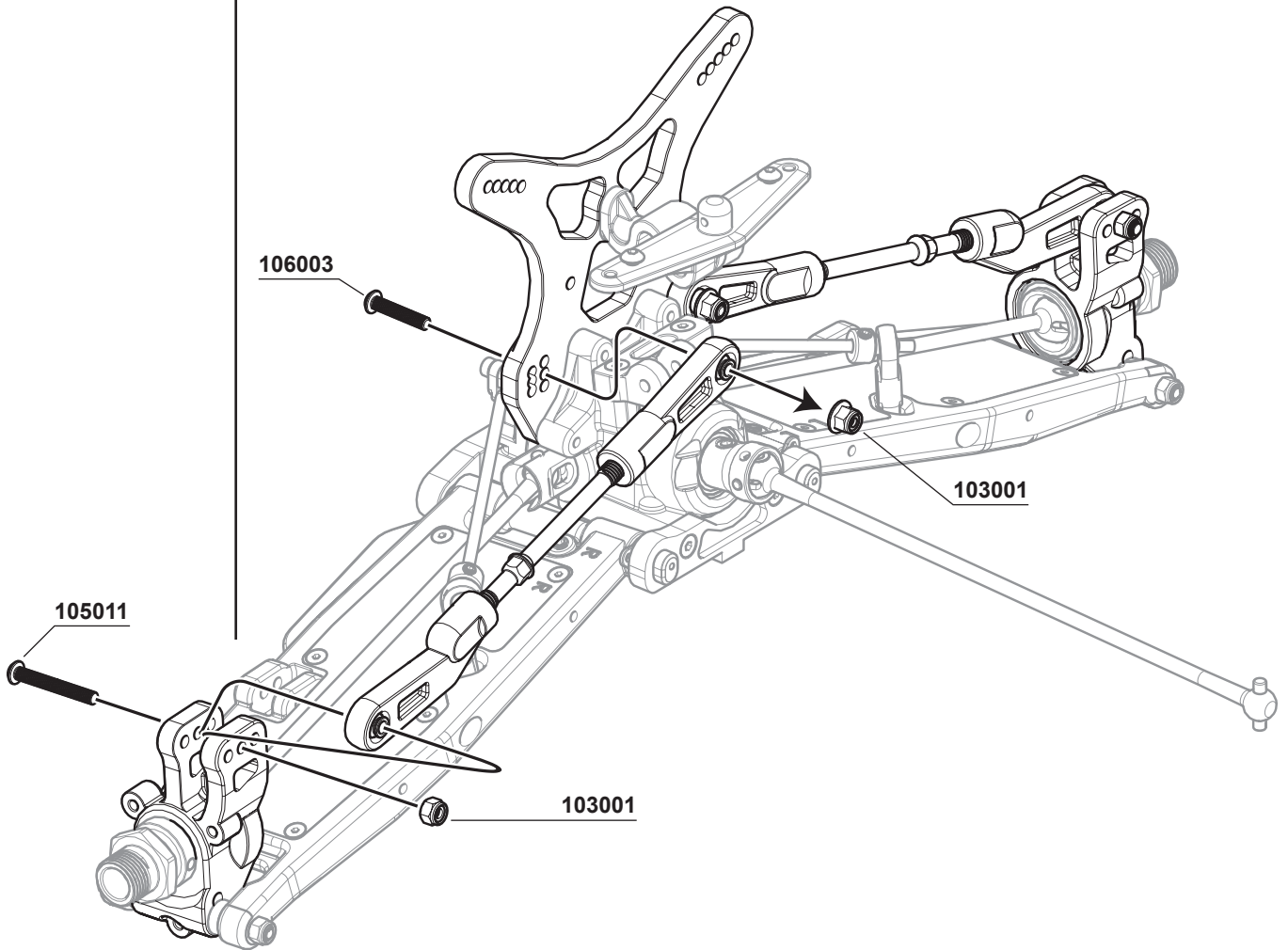
103001  
M3 Nut Lock x4



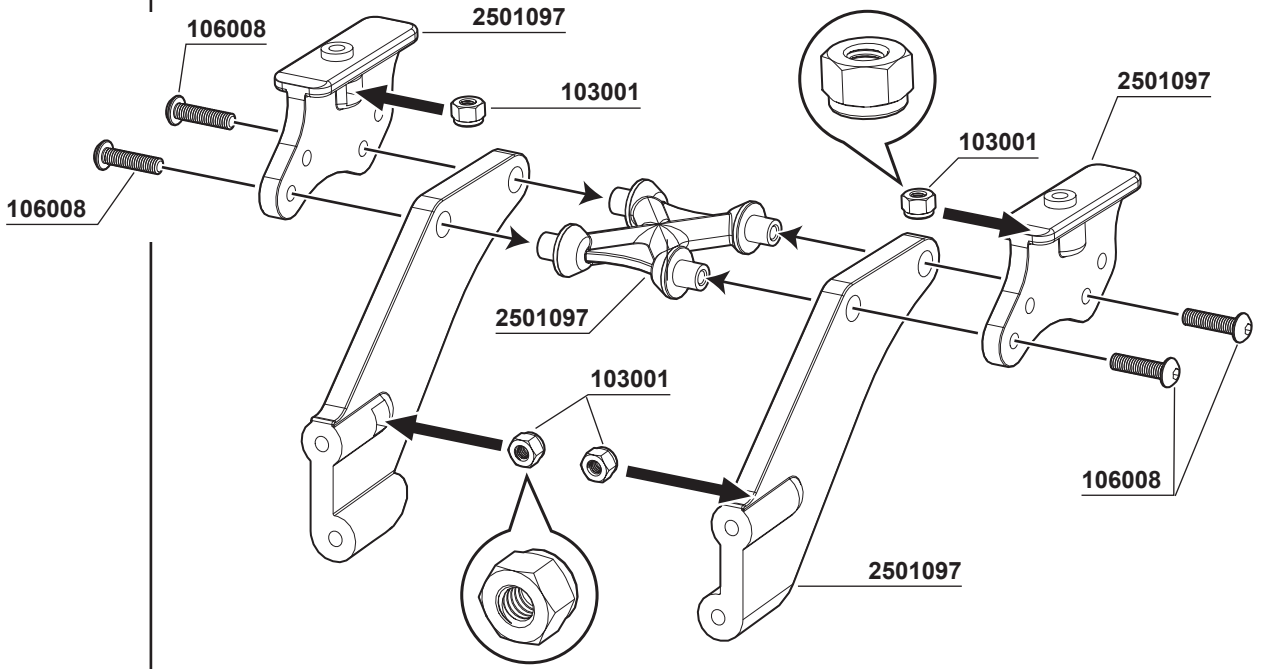
105011  
M3x23mm Cap Screw x2



106003  
M3x16mm Hex Socket OH/TP Screw x2



**27**

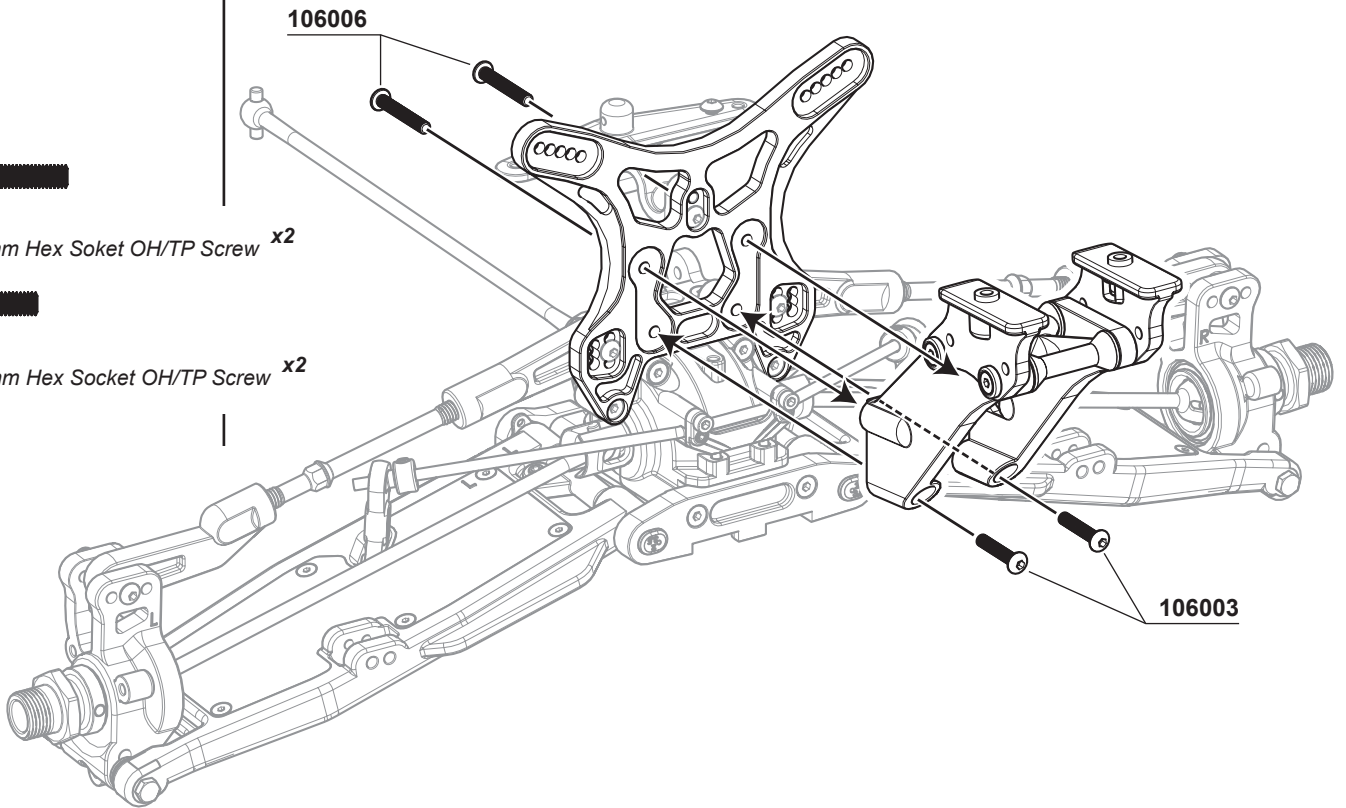


**103001**  
M3 Nut Lock x4



**106008**  
M3x12mm Hex Somet OH/TP Screw x4

**28**



**106006**  
M3x20mm Hex Somet OH/TP Screw x2

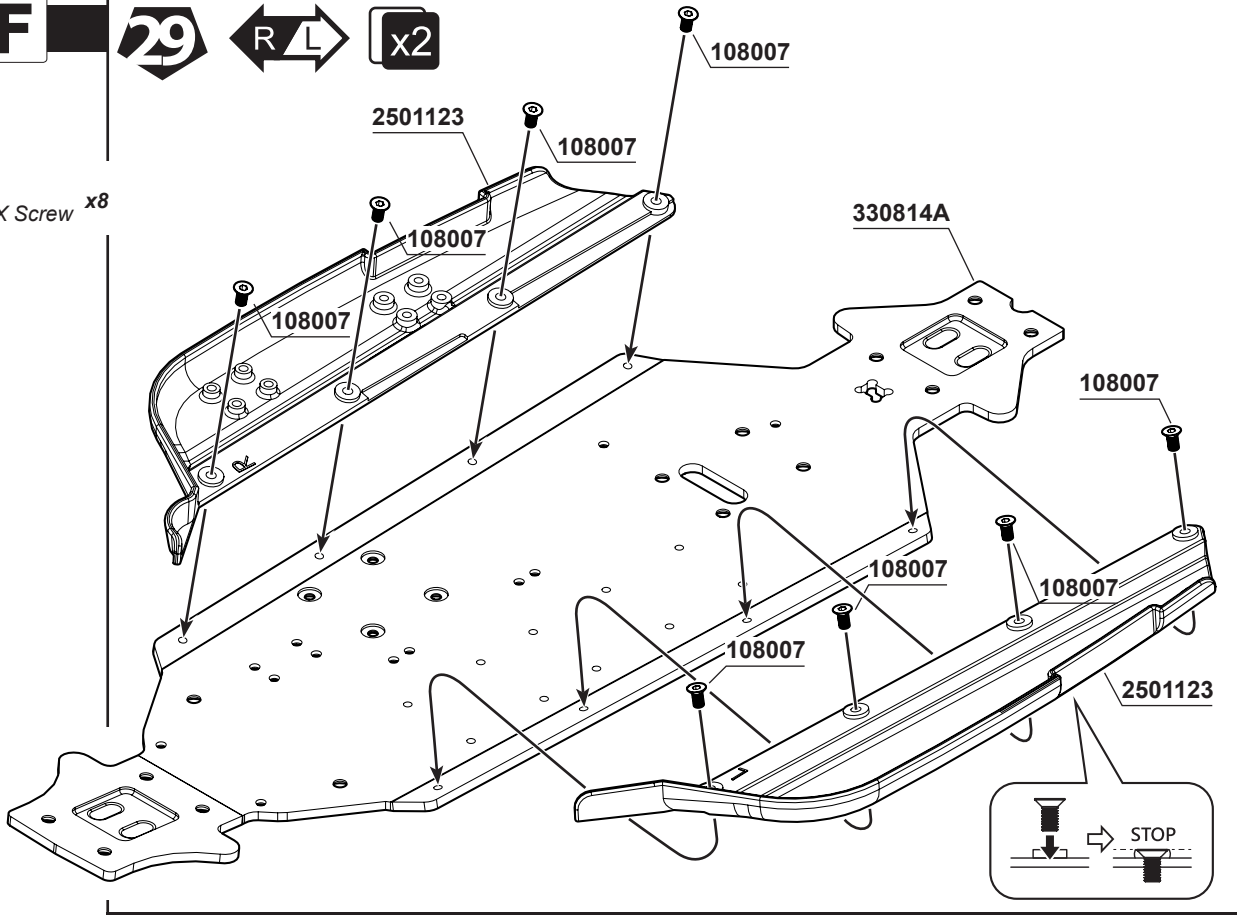


**106003**  
M3x16mm Hex Somet OH/TP Screw x2





**108007**  
M3x6mm FH/ST HEX Screw x8



**106002**  
M3x10mm Hex Soket OH/TP Screw x1



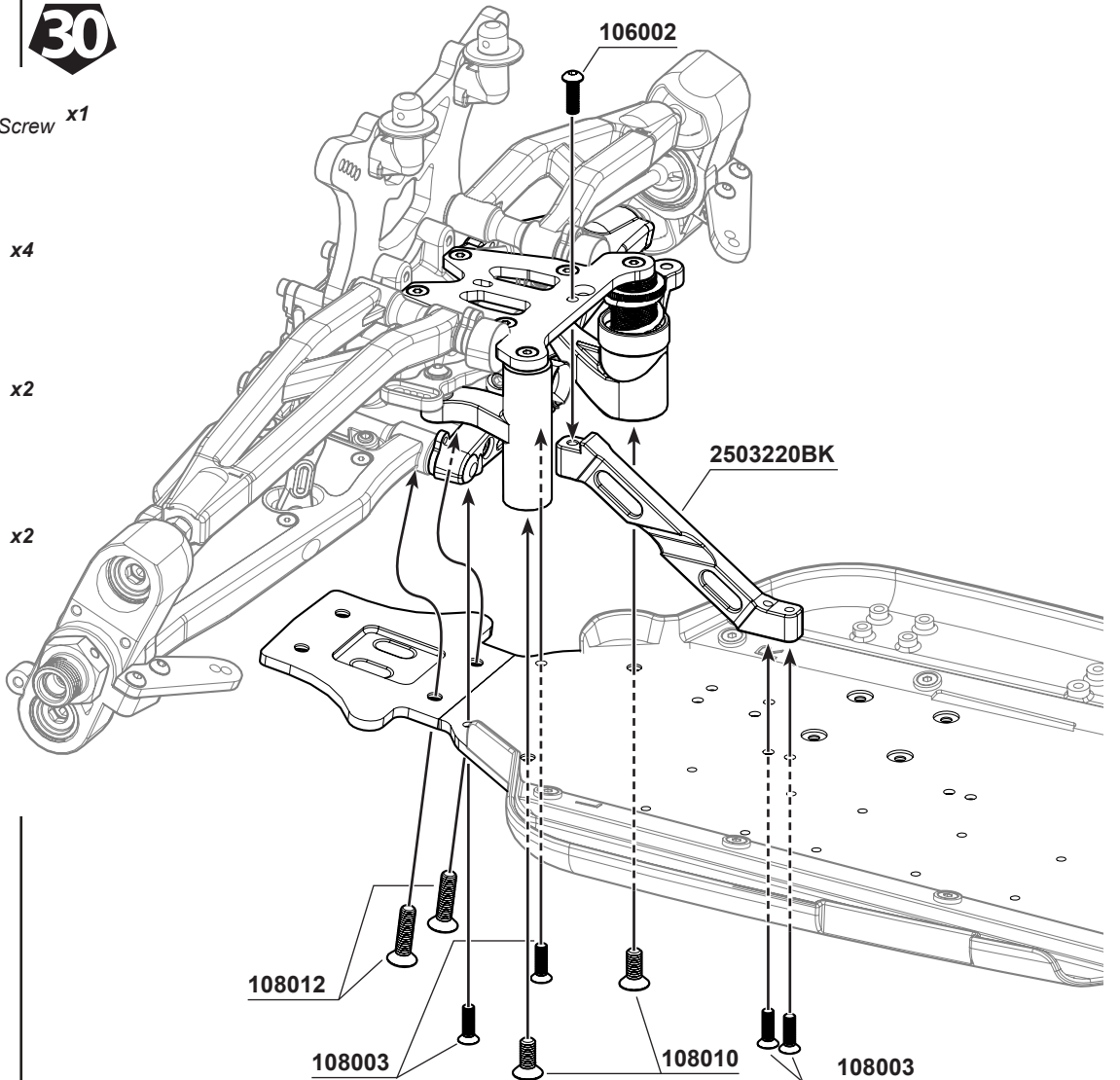
**108003**  
M3x10mm FH/ST HEX Screw x4



**108010**  
M4x10mm FH/ST HEX Screw x2



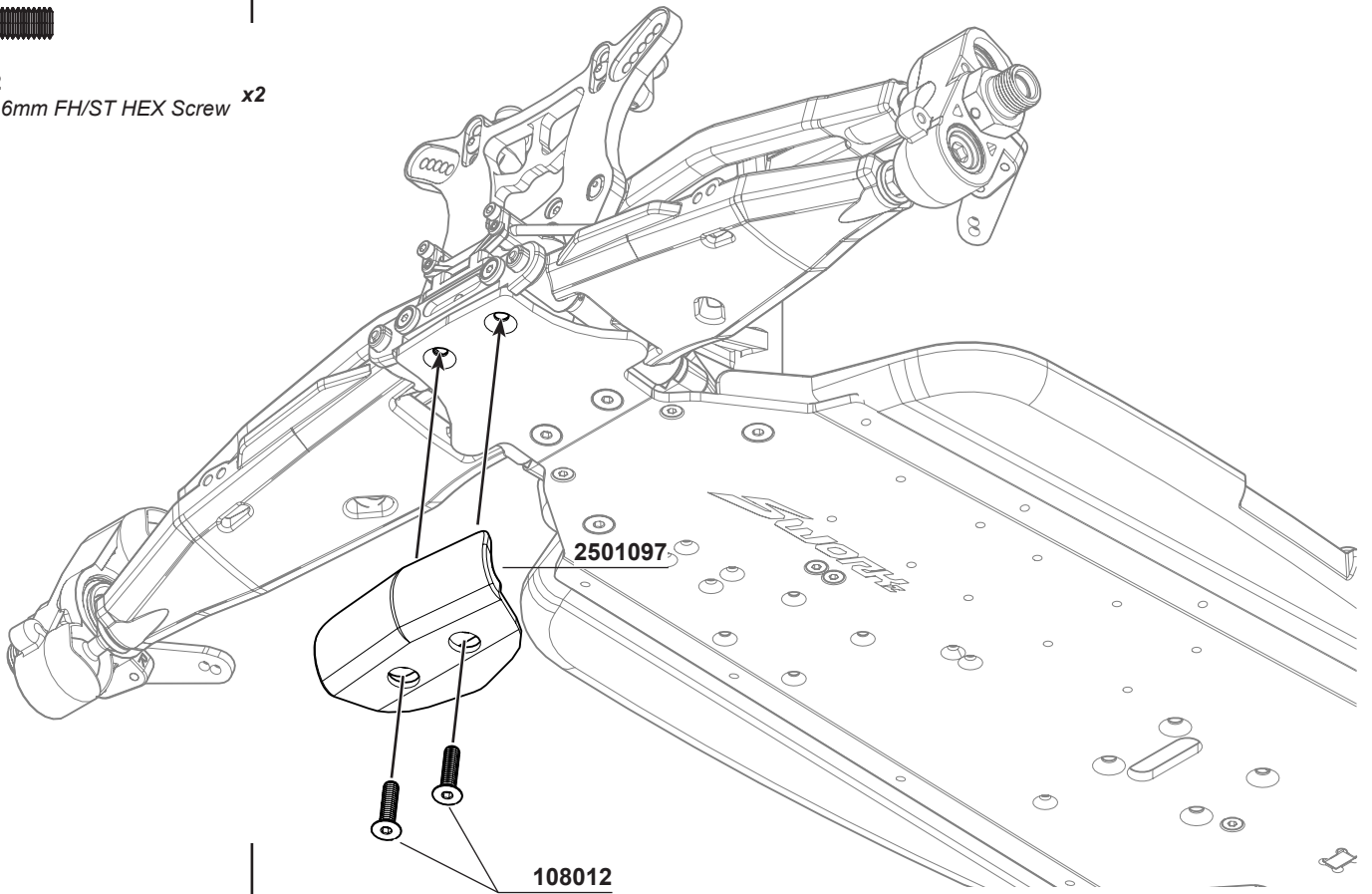
**108012**  
M4x16mm FH/ST HEX Screw x2



**31**



**108012**  
M4x16mm FH/ST HEX Screw x2



**32**



**108012**  
M4x16mm FH/ST HEX Screw x4



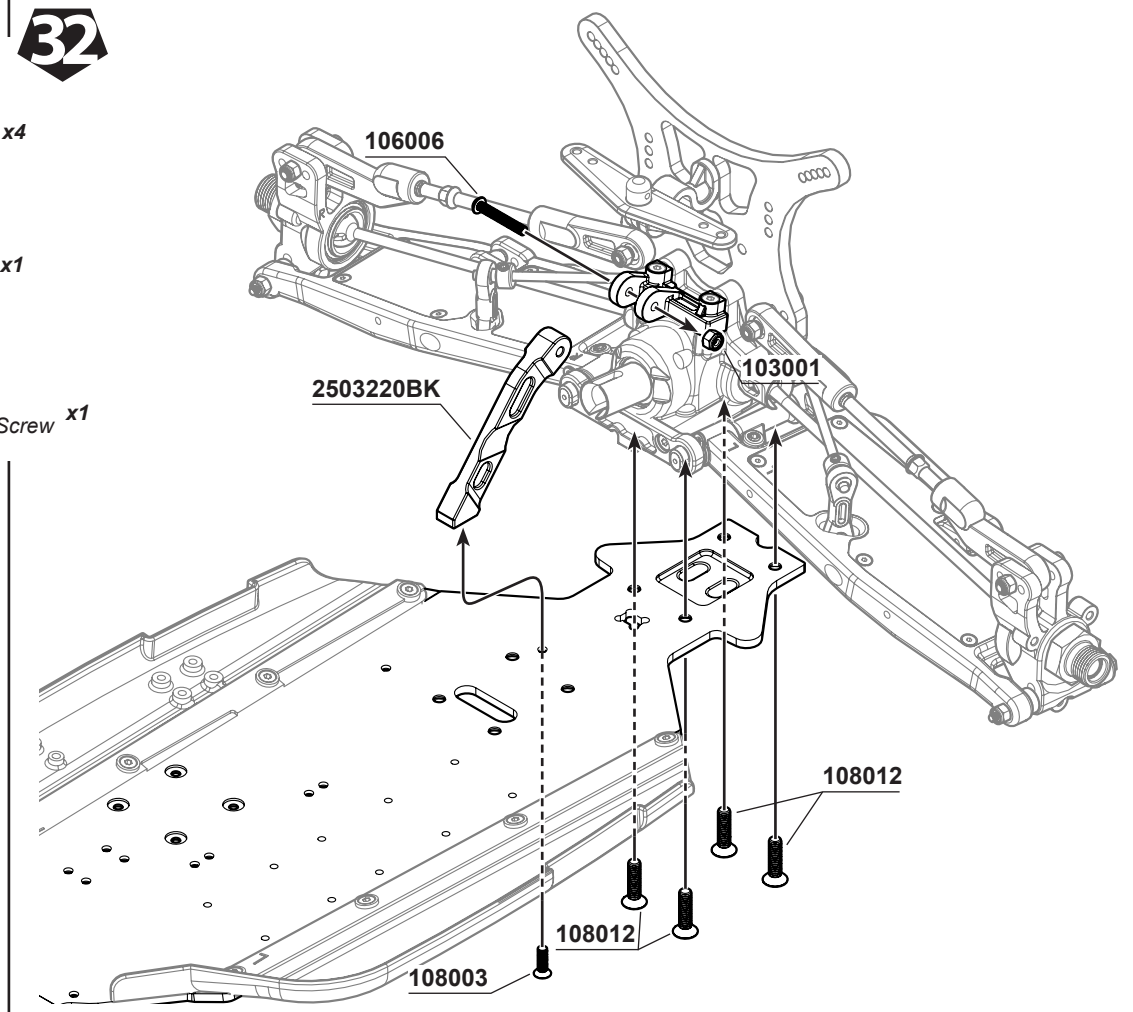
**108003**  
M3x10mm FH/ST HEX Screw x1



**106006**  
M3x20mm Hex Socket OH/TP Screw x1



**103001**  
M3 Nut Lock x1





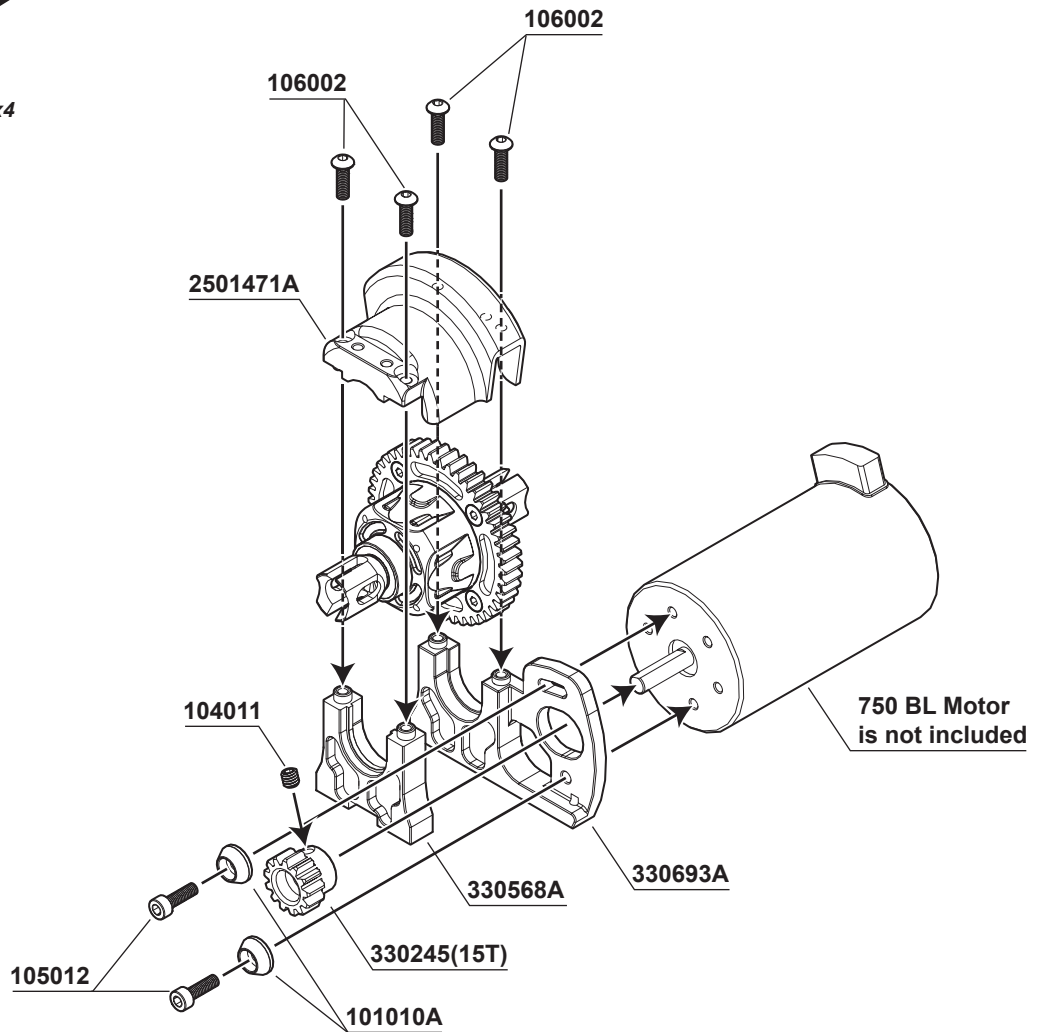
**106002**  
M3x10mm Hex Scket OH/TP Screw x4



**104011**  
M4x4mm Set Screw (Flat Bottom) x1



**105012**  
M3x10mm Cap Screw x2



**108006**  
M3x8mm FH/ST HEX Screw x1



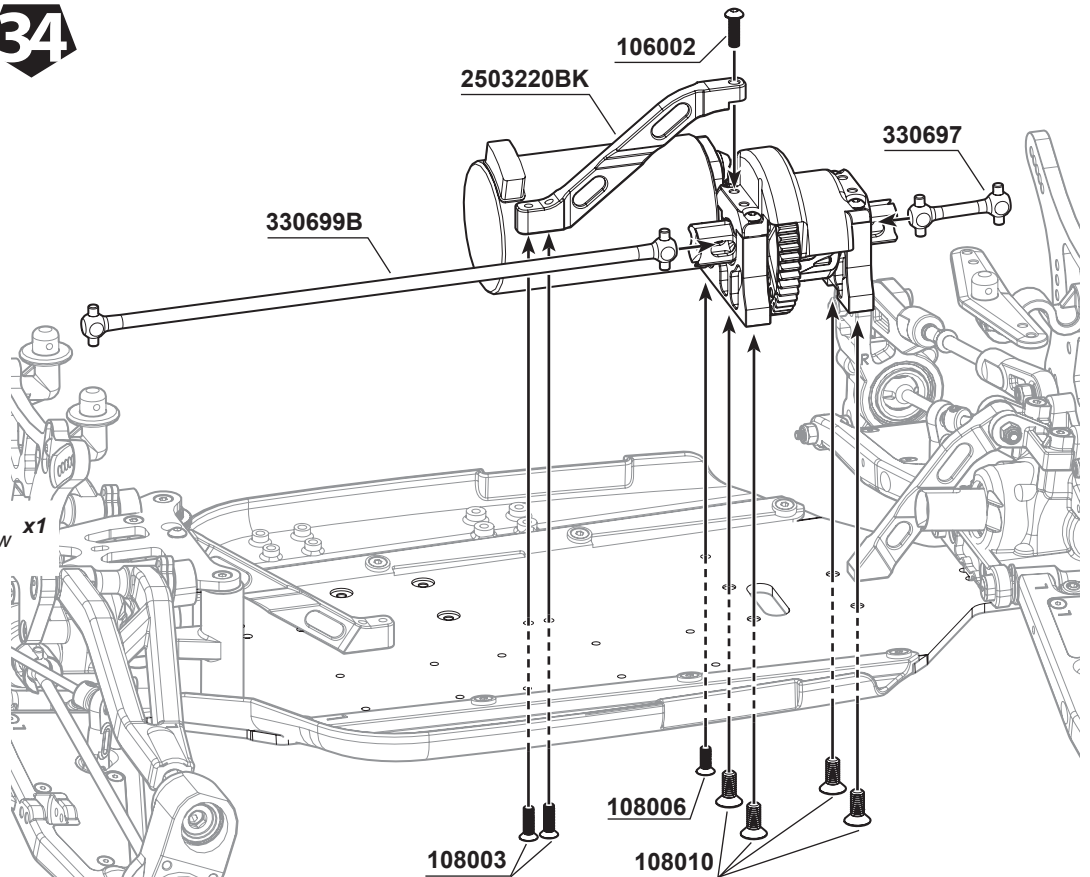
**108003**  
M3x10mm FH/ST HEX Screw x2



**108010**  
M4x10mm FH/ST HEX Screw x4



**106002**  
M3x10mm Hex Scket OH/TP Screw x1

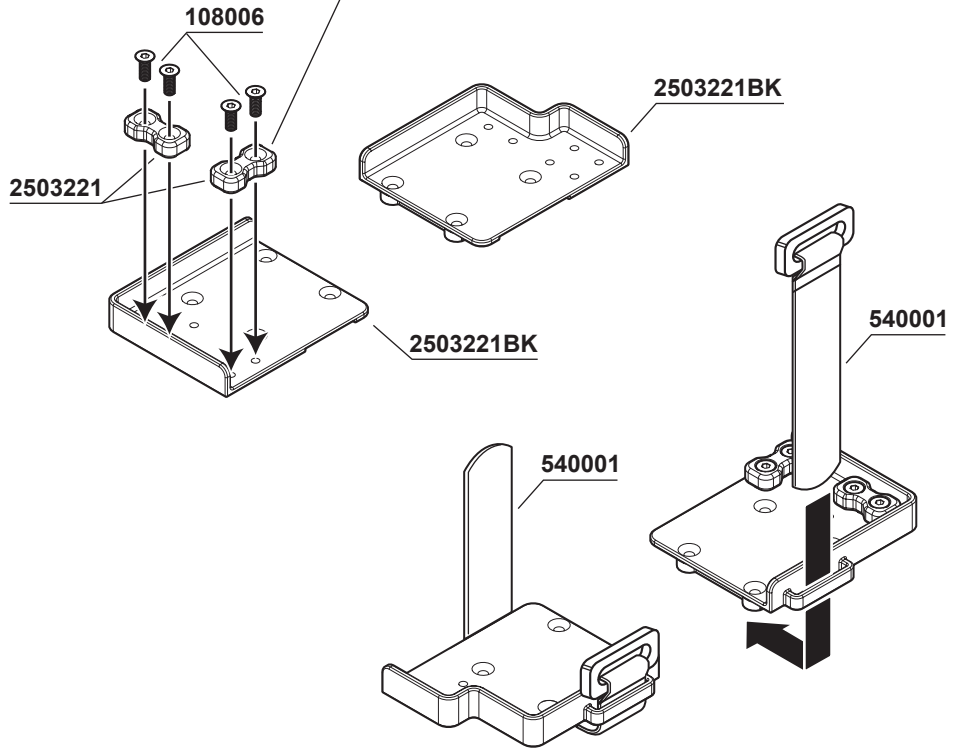




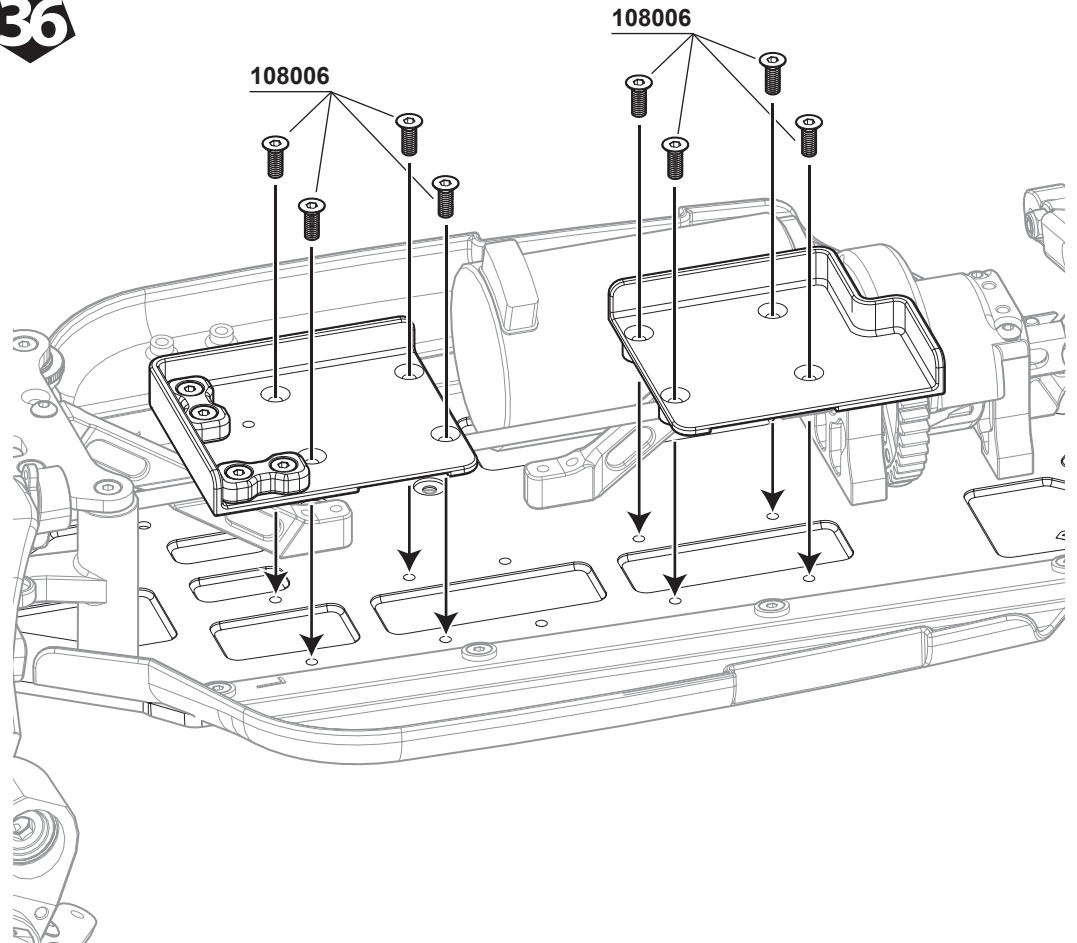


108006  
M3x8mm FH/ST HEX Screw x8

The 2503221BK Battery Stoper must be suit for different Lipo Battery style.



108006  
M3x8mm FH/ST HEX Screw x8



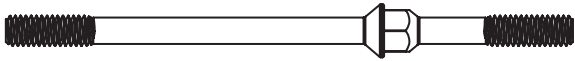
**BAG**

**G**

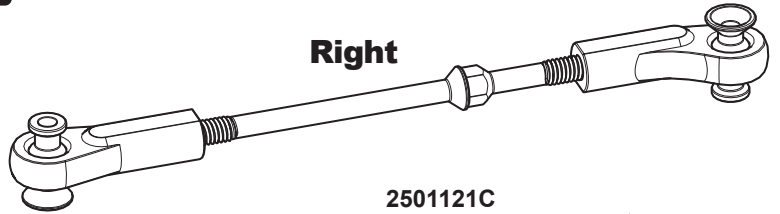
**37**



**x2**

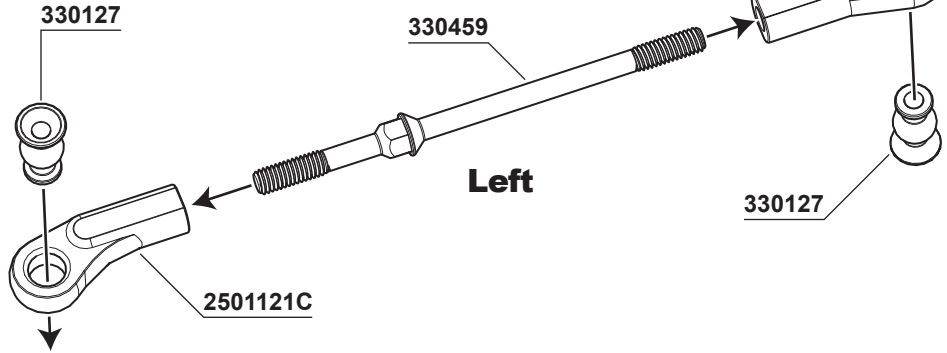


**330459**  
S350T Steering Linkage Turnbuckle M4x75mm **x2**



**Right**

2501121C



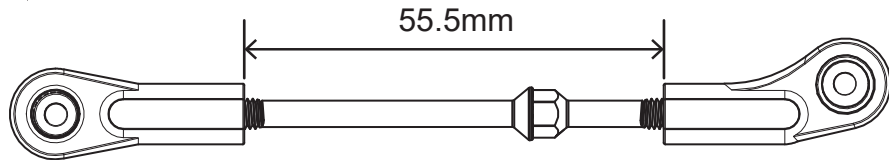
**Left**

330127

330459

2501121C

330127



55.5mm

**1:1**



**103001**  
M3 Nut Lock **x4**

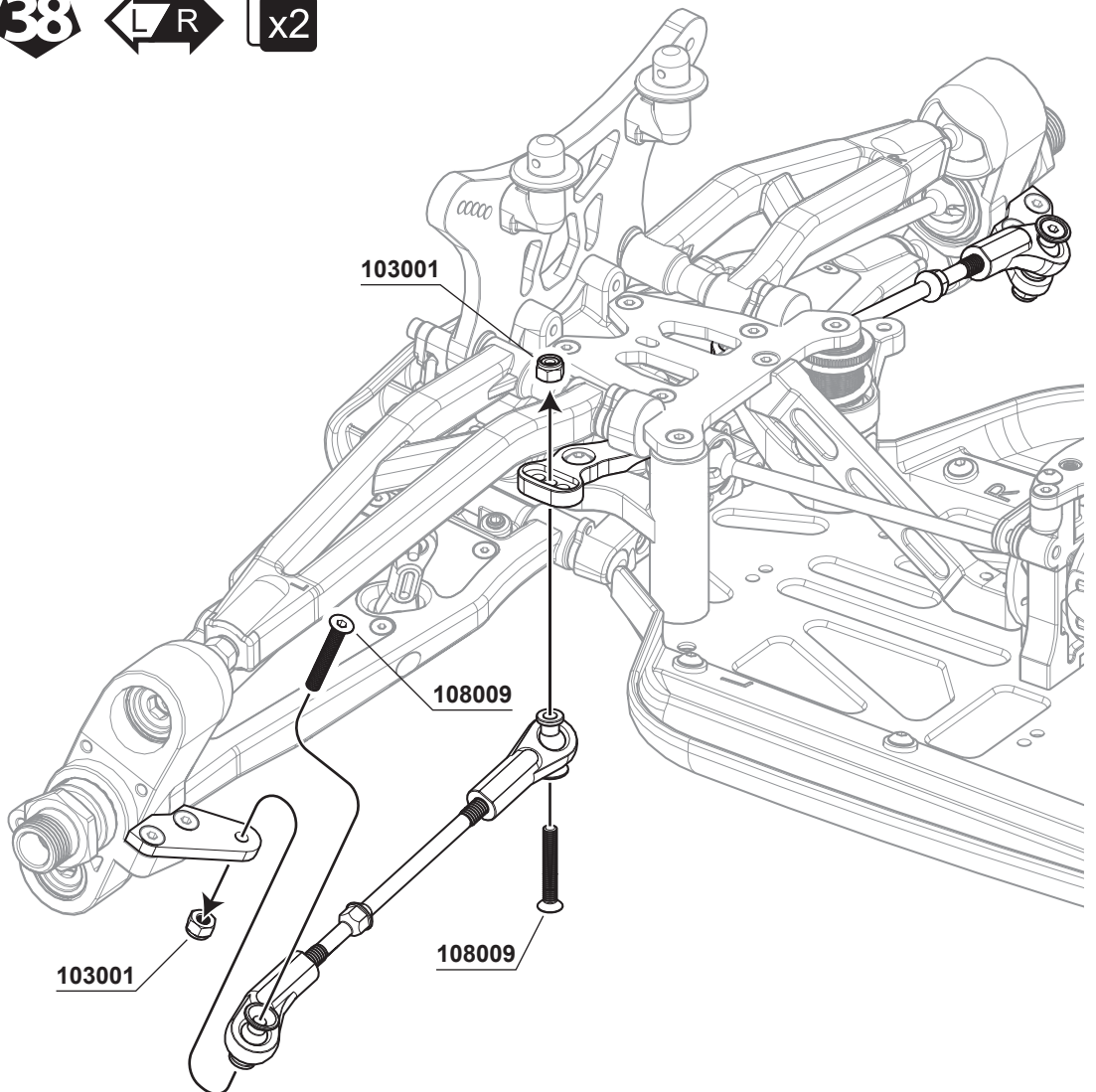


**108009**  
M3x20mm FH/ST HEX Screw **x4**

**38**



**x2**



103001

108009

103001

108009

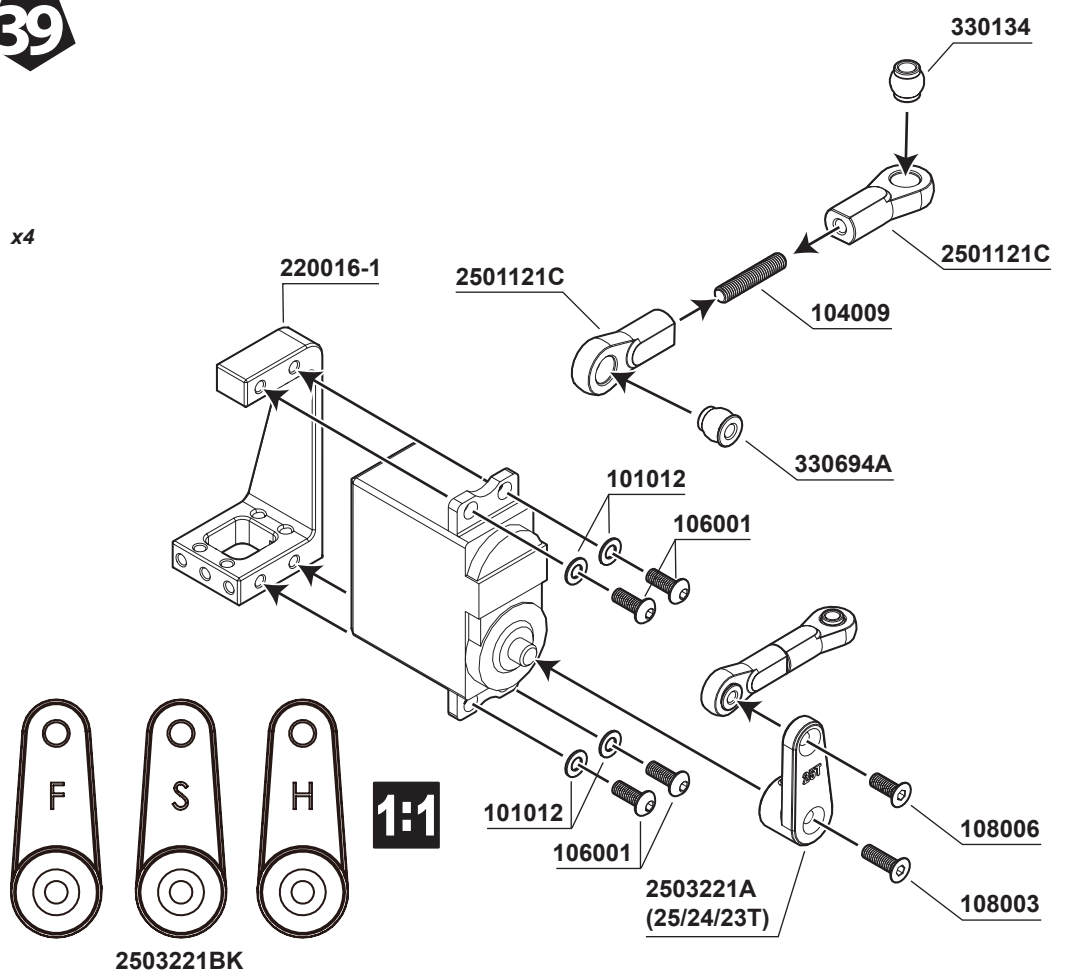
**39**

**104009**  
M3x16mm Set Screw **x1**

**106001**  
M3x8mm Hex Soker OH/TP Screw **x4**

**108006**  
M3x8mm FH/ST HEX Screw **x1**

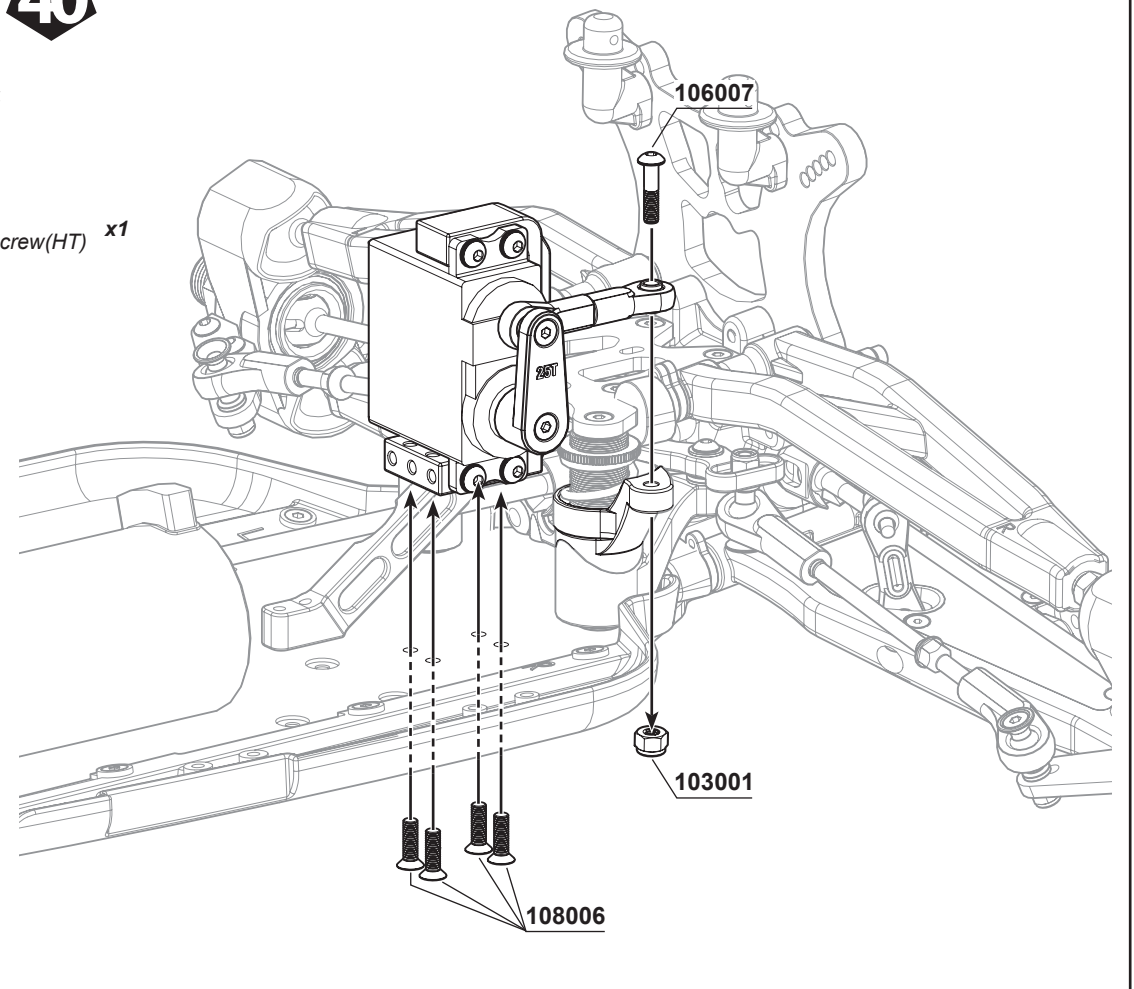
**108003**  
M3x10mm FH/ST **x1**

**40**

**108006**  
M3x8mm FH/ST HEX Screw **x4**

**106007**  
M3x12mm Hex Socket OH/TP Screw(HT) **x1**

**103001**  
M3xNut Lock **x1**

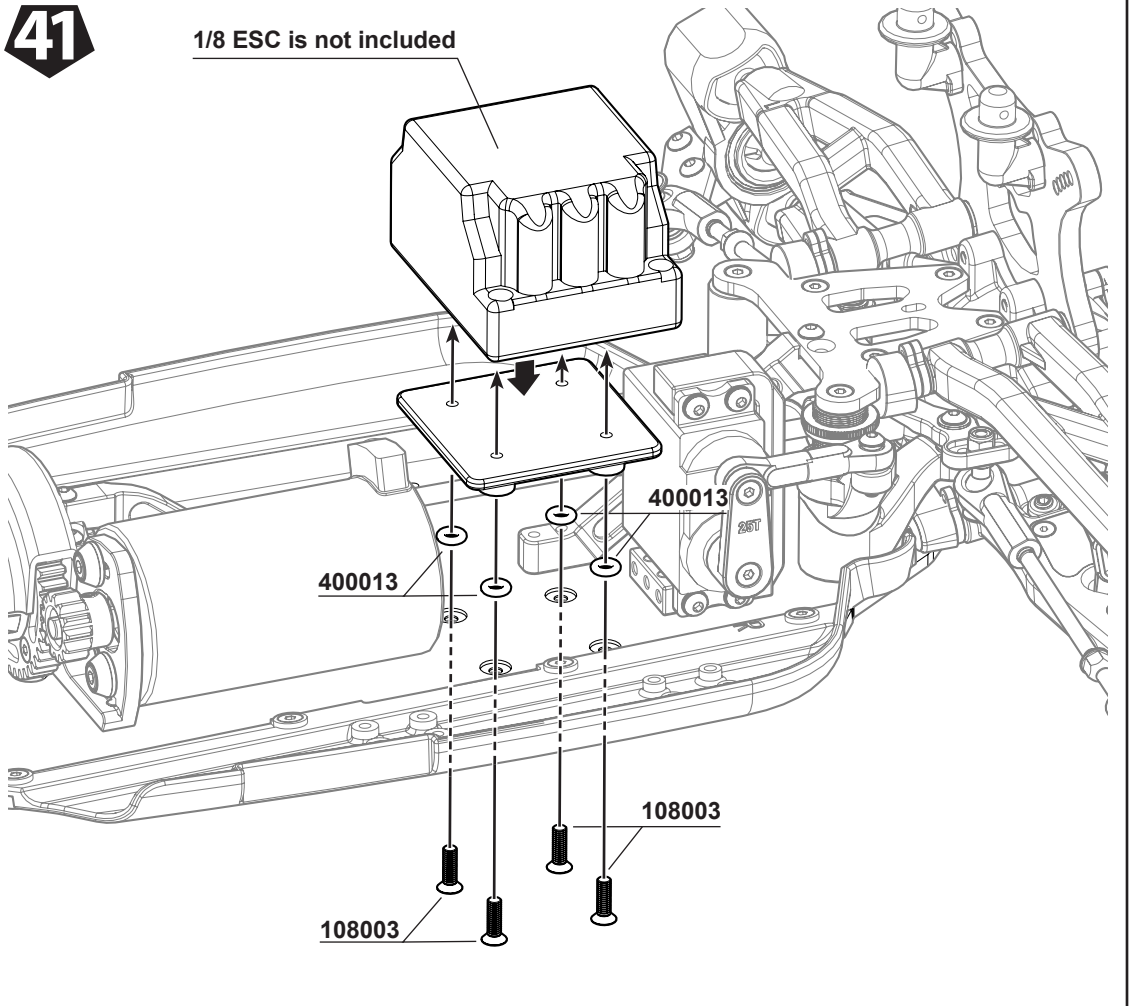




**108003**  
M3x10mm FH/ST x4

**41**

1/8 ESC is not included

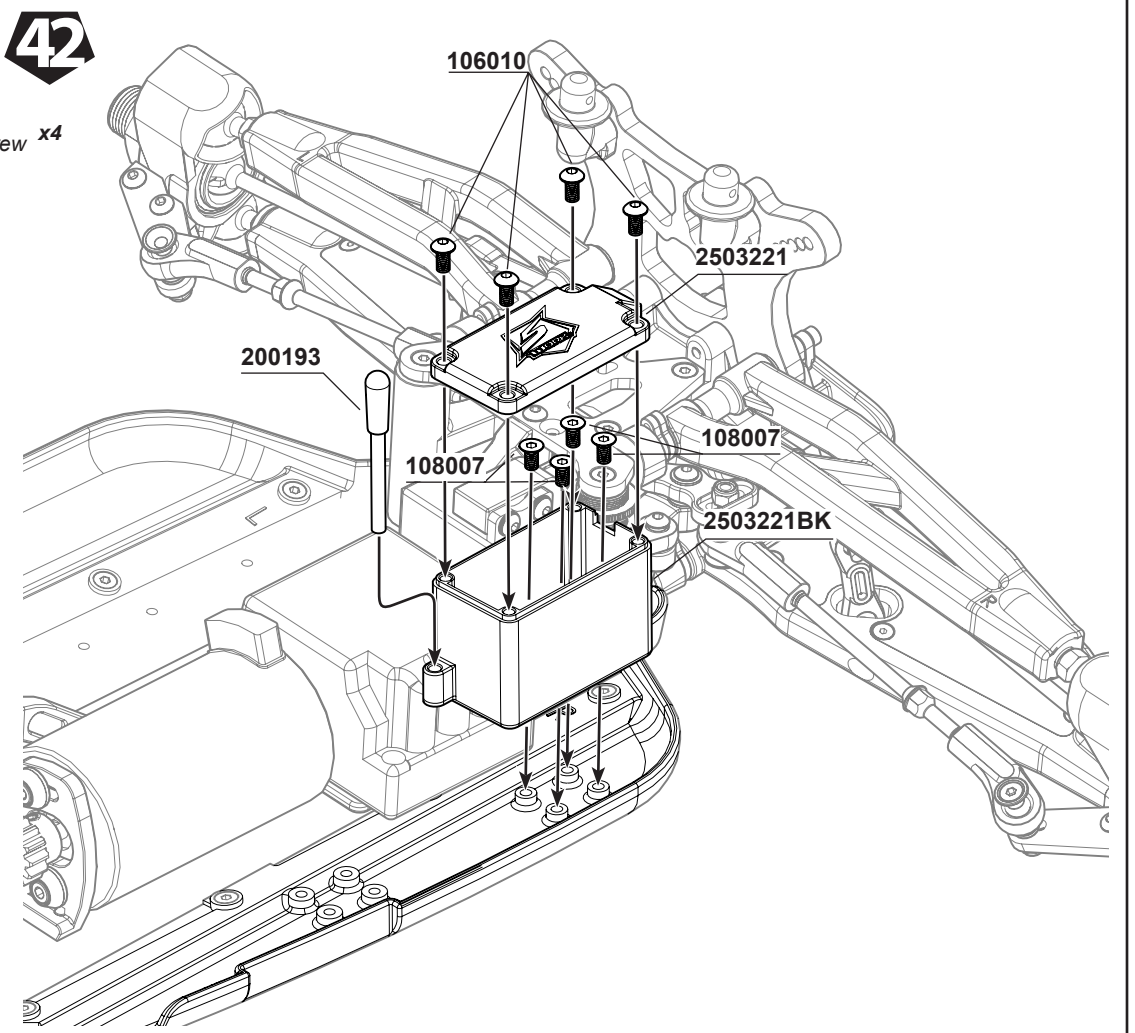


**106010**  
M3x6mm Hex Socket OH/TP Screw x4

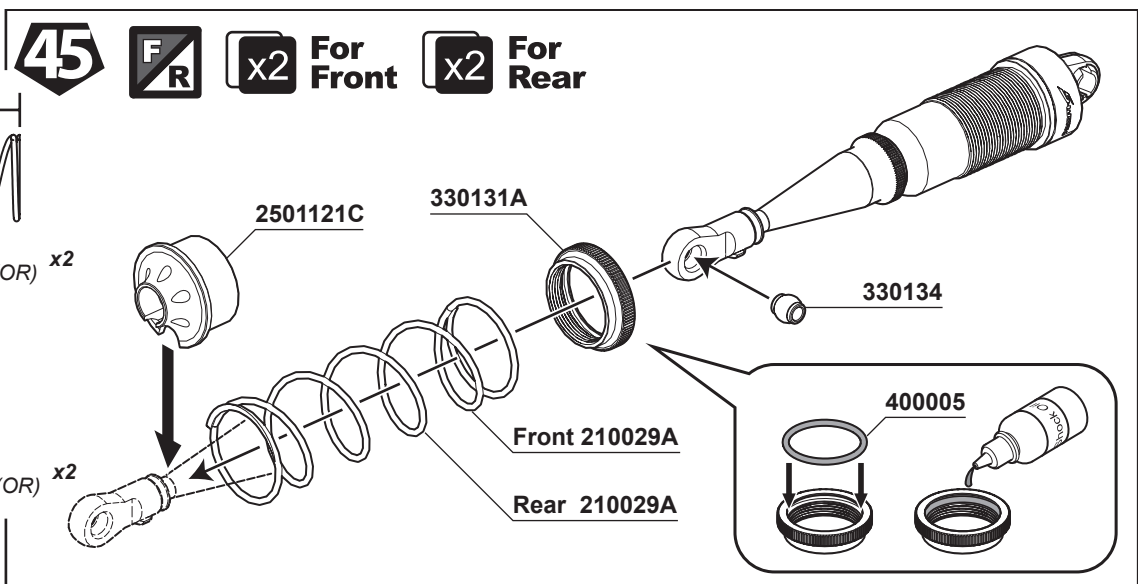
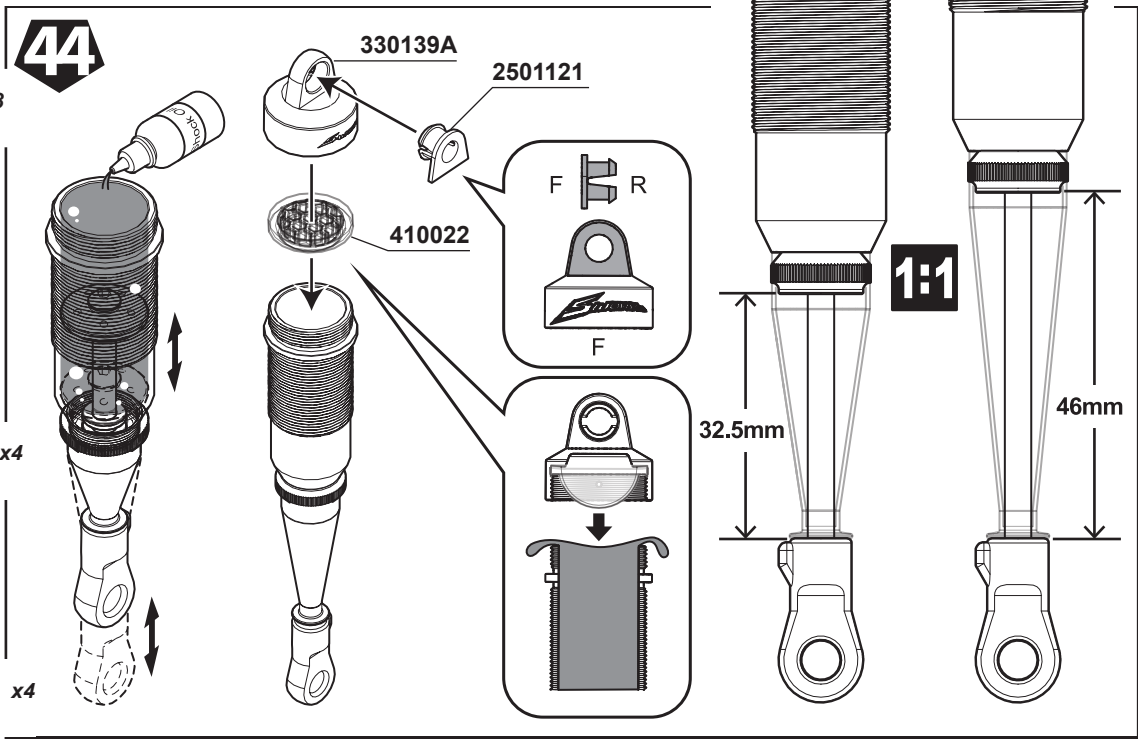
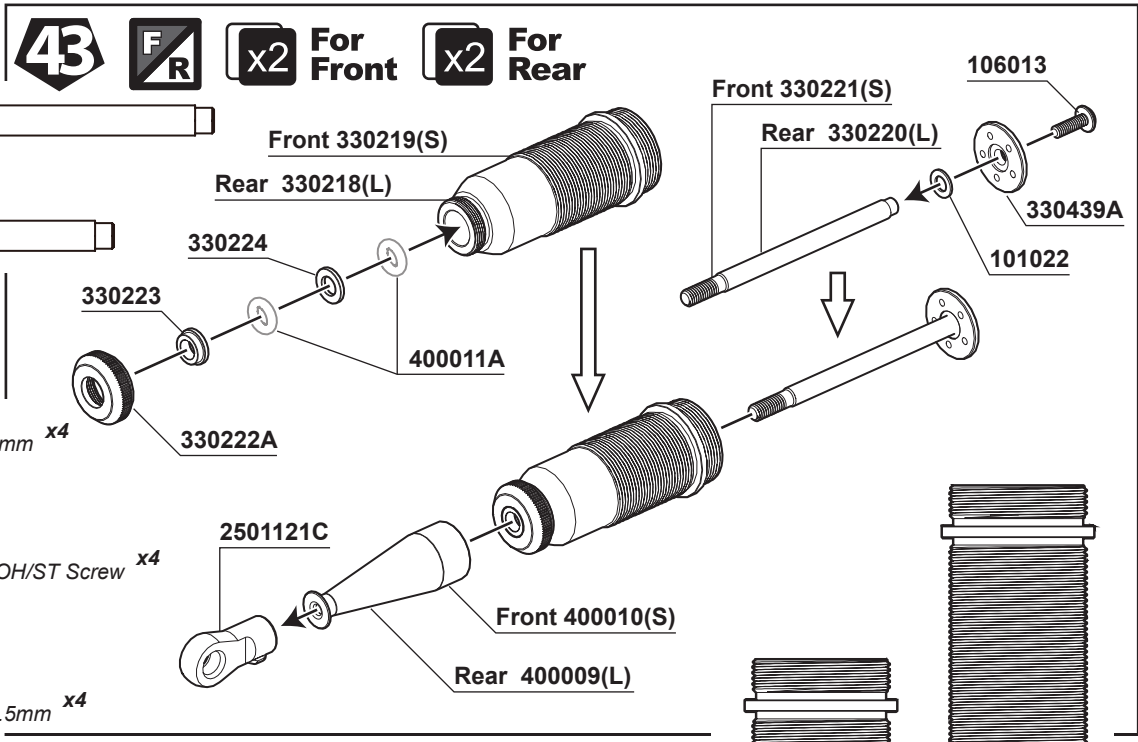


**108007**  
M3x6mm FH/ST HEX Screw x4

**42**

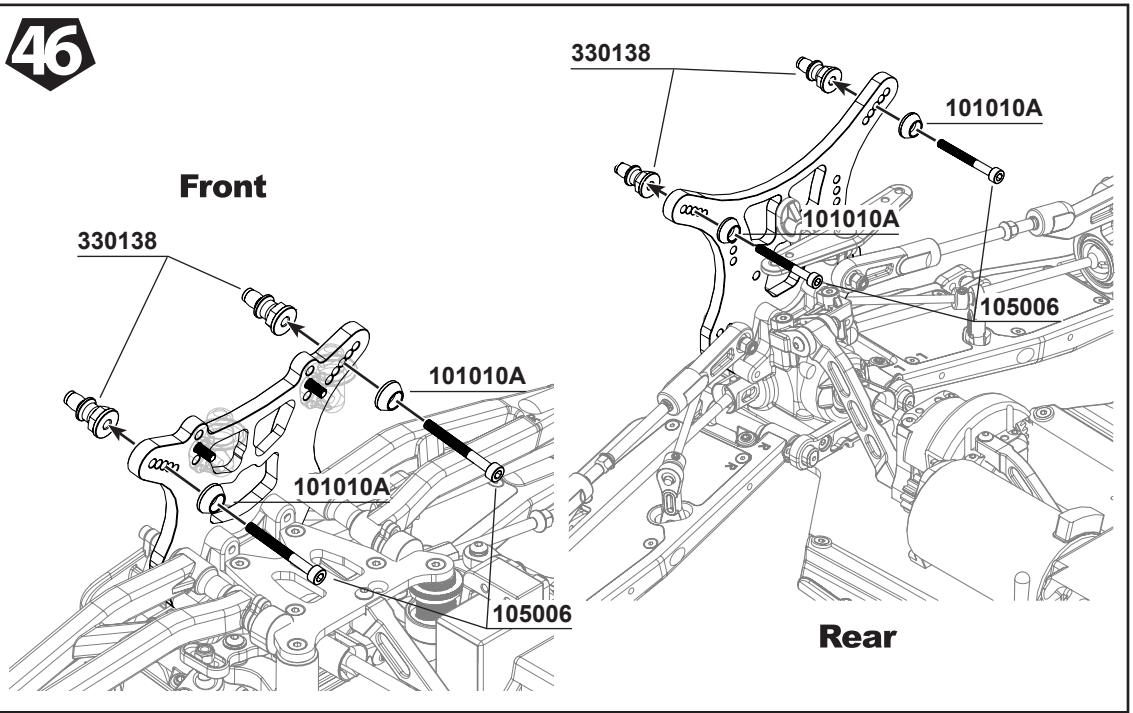








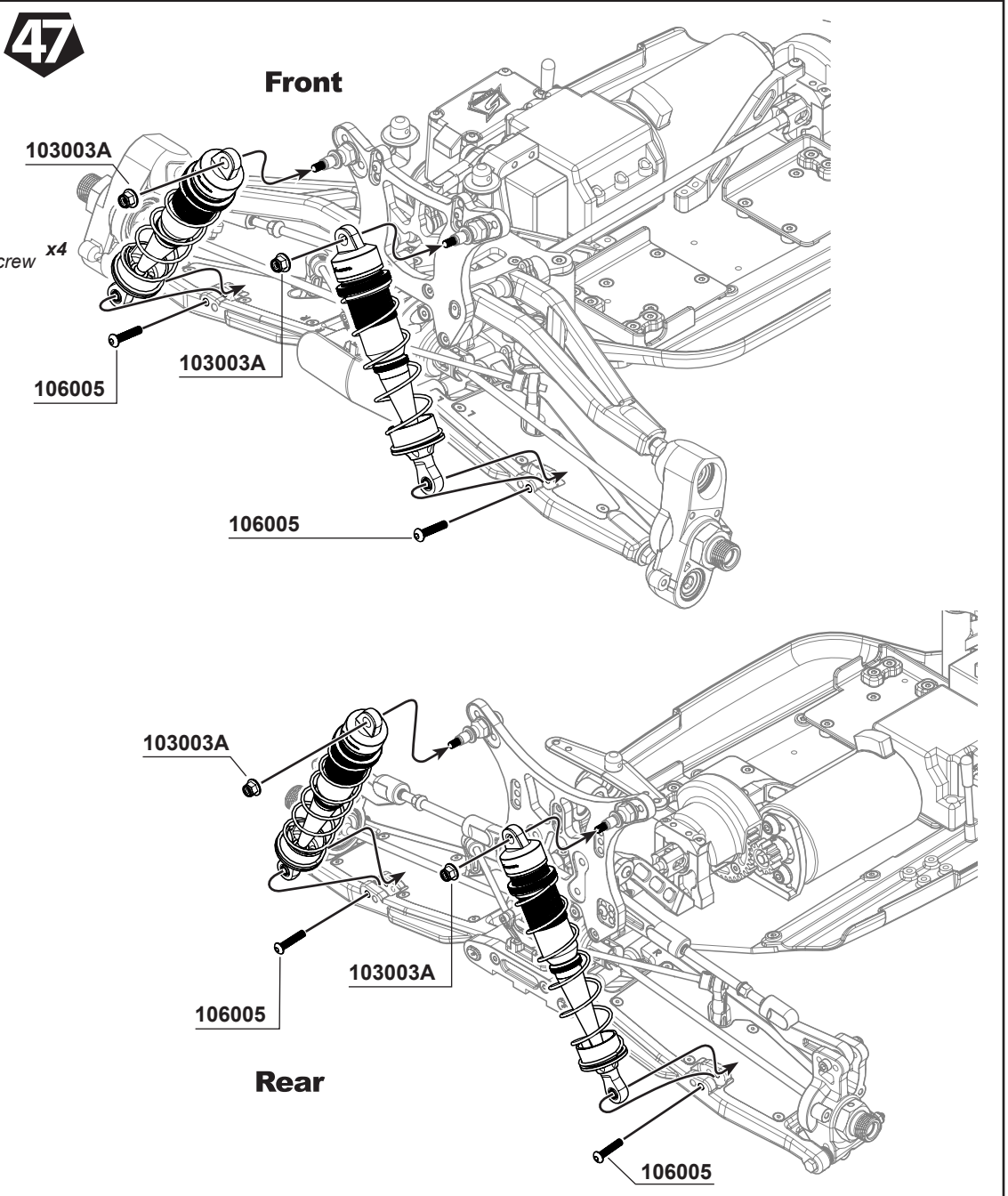
105006  
M3x28mm Cap Screw x4



103003A  
Flange M3 Nut Lock x4

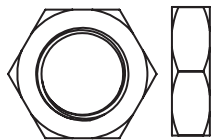
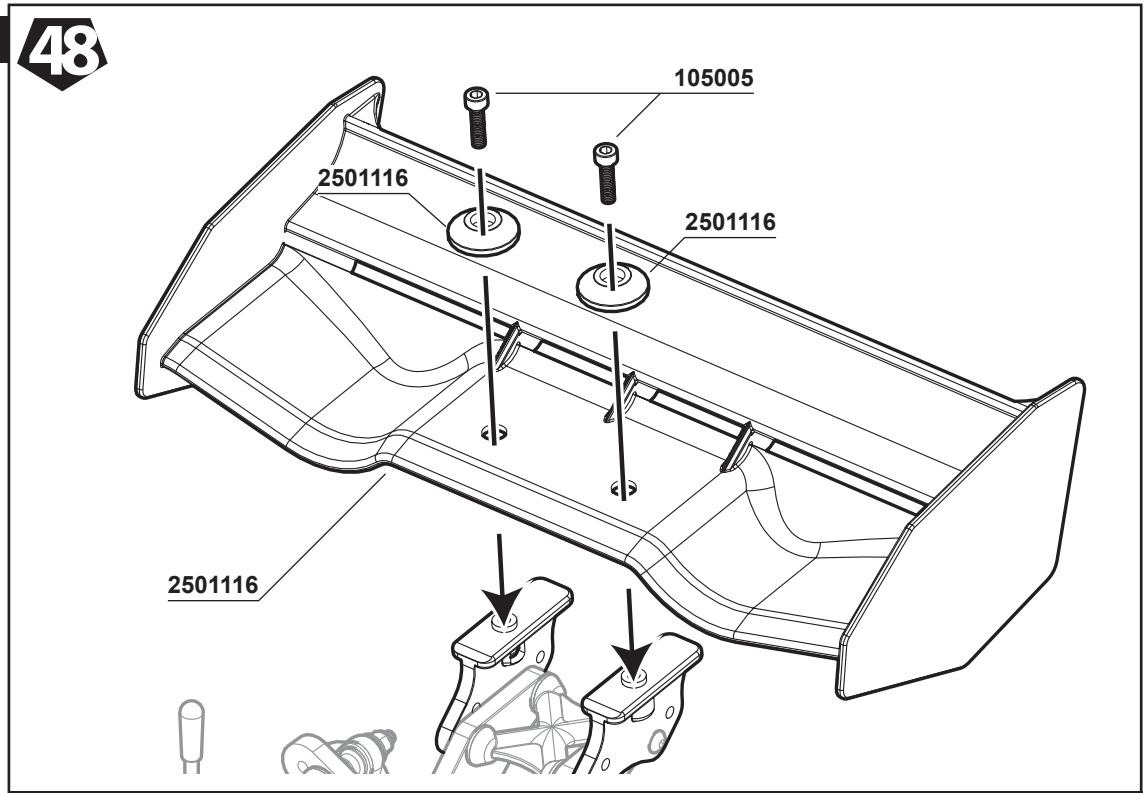


106005  
M3x15mm Hex Socket OH/TP Screw x4

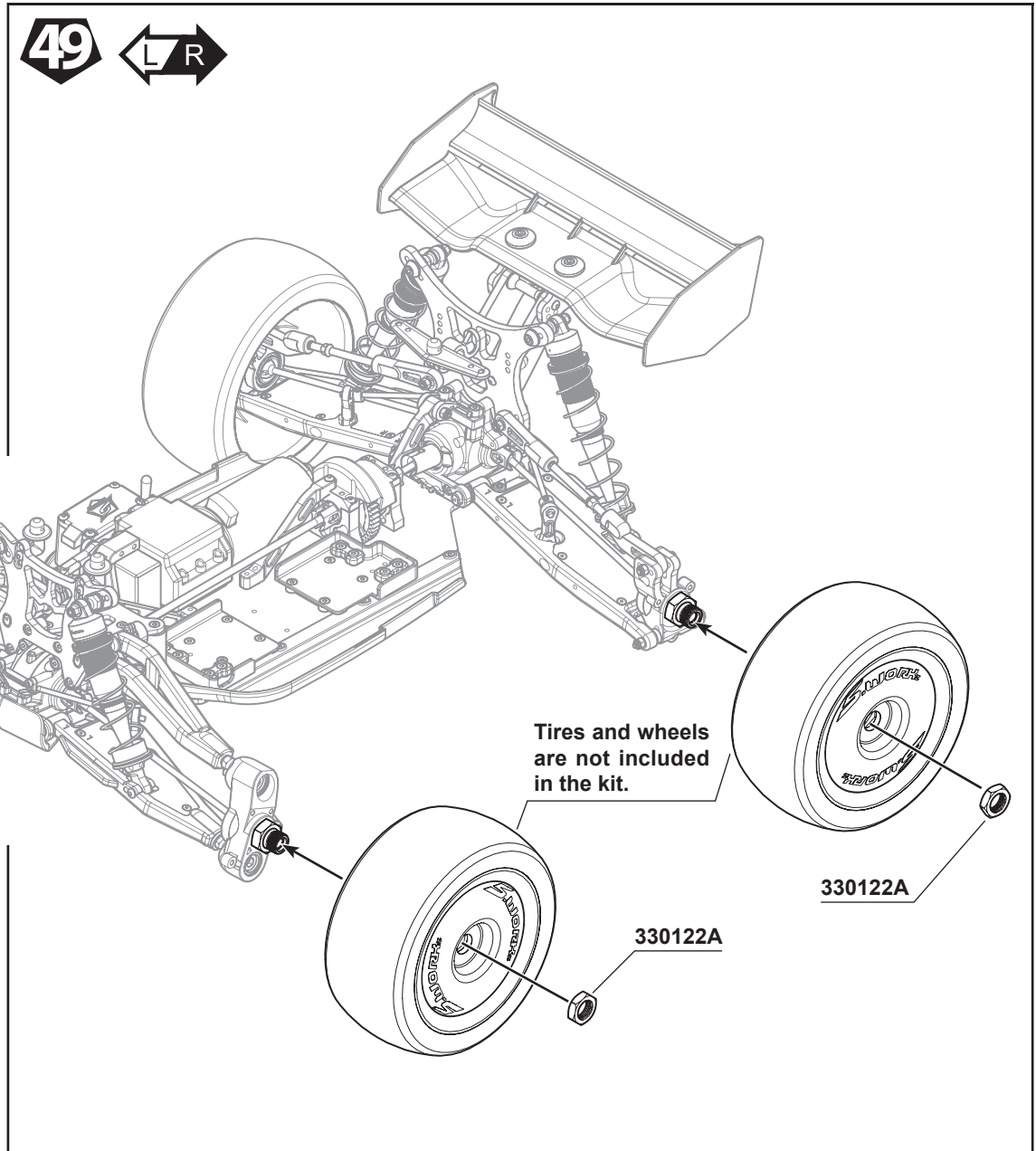


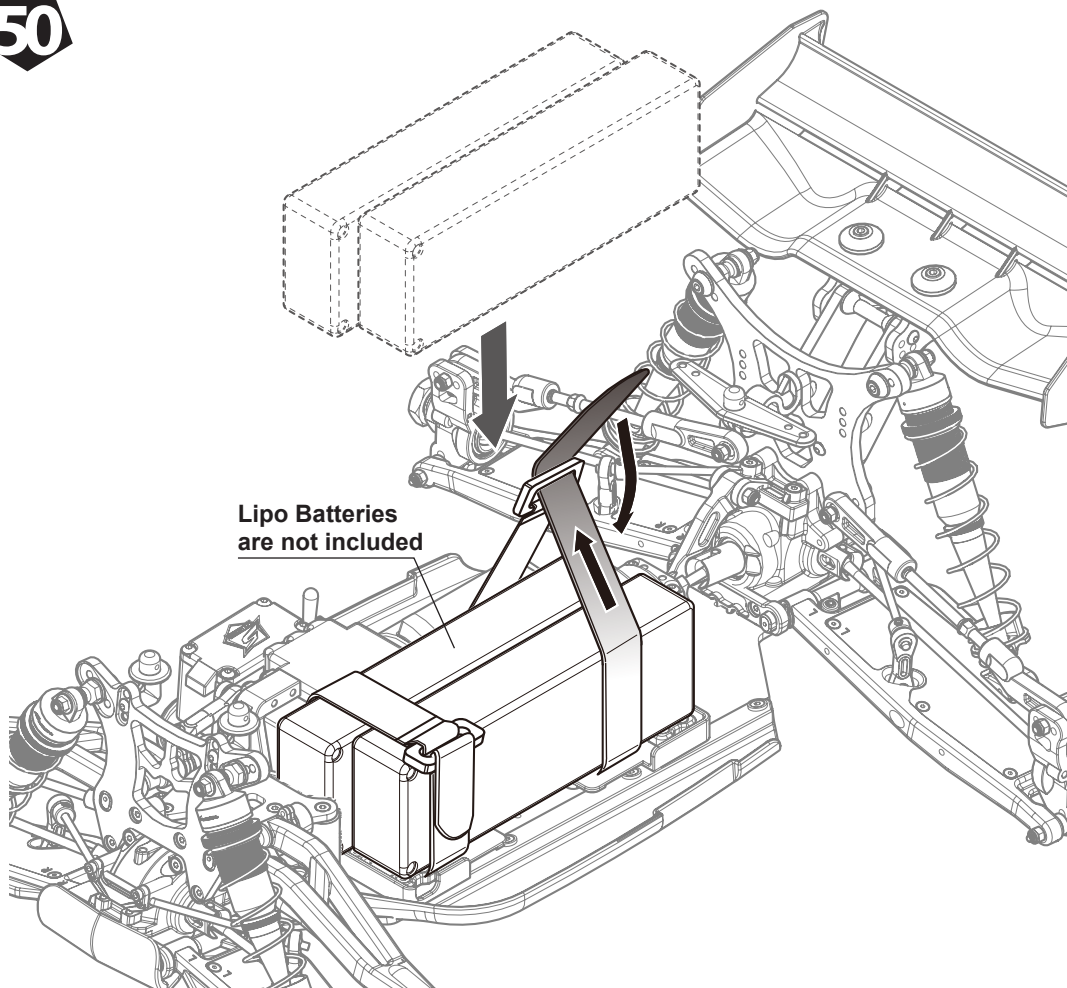


**105005**  
M3x12mm Cap Screw *x2*

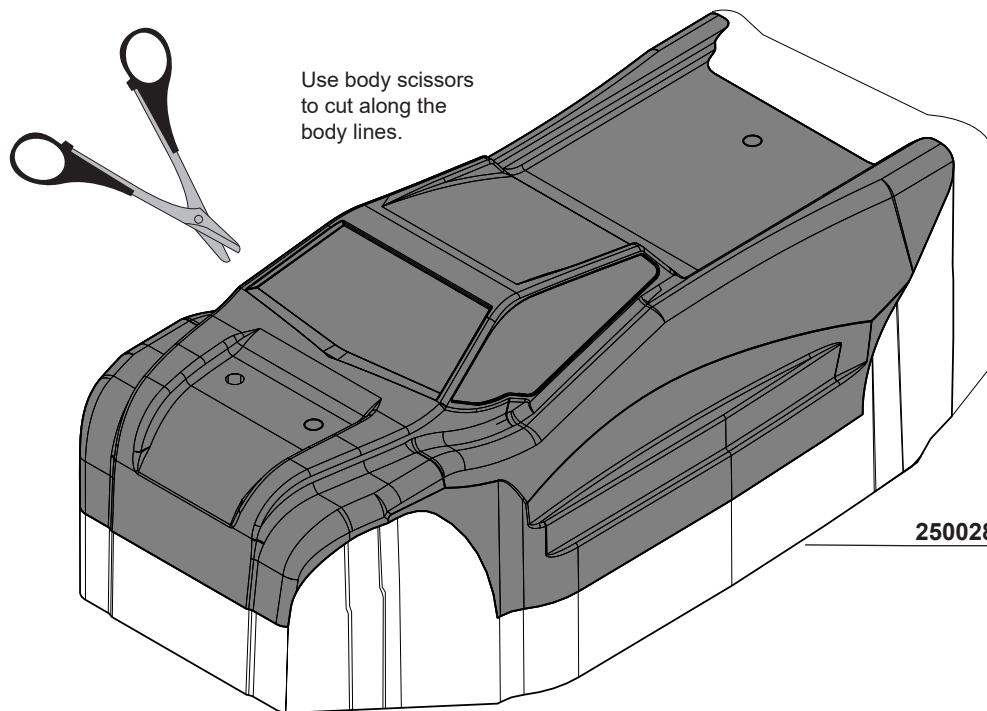


**330122A**  
Wheel Nut *x4*





Lipo Batteries  
are not included



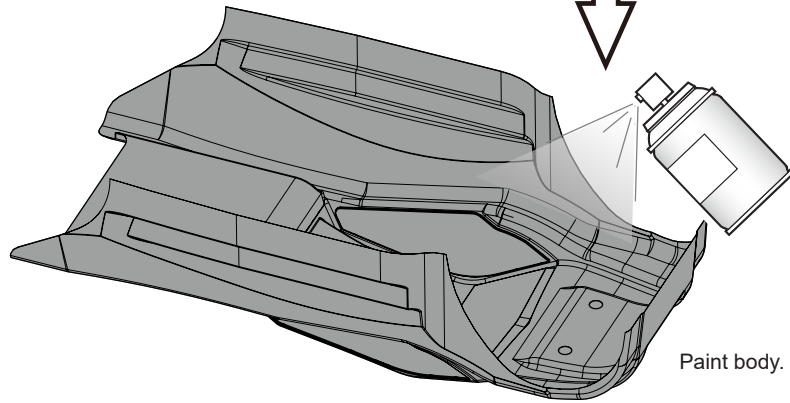
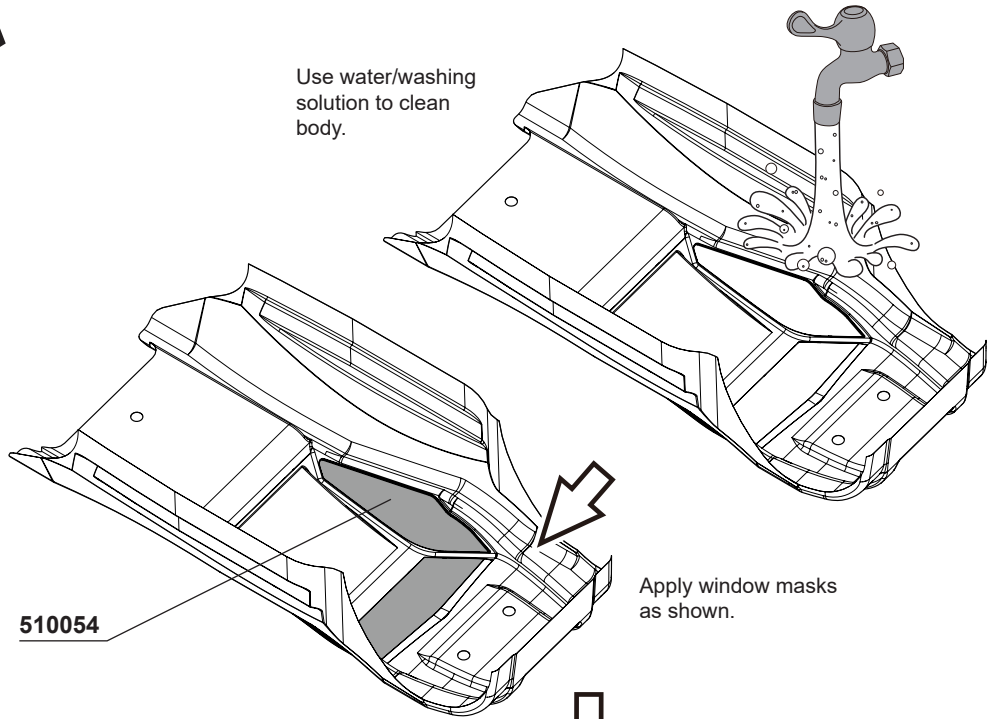
Use body scissors  
to cut along the  
body lines.

250028

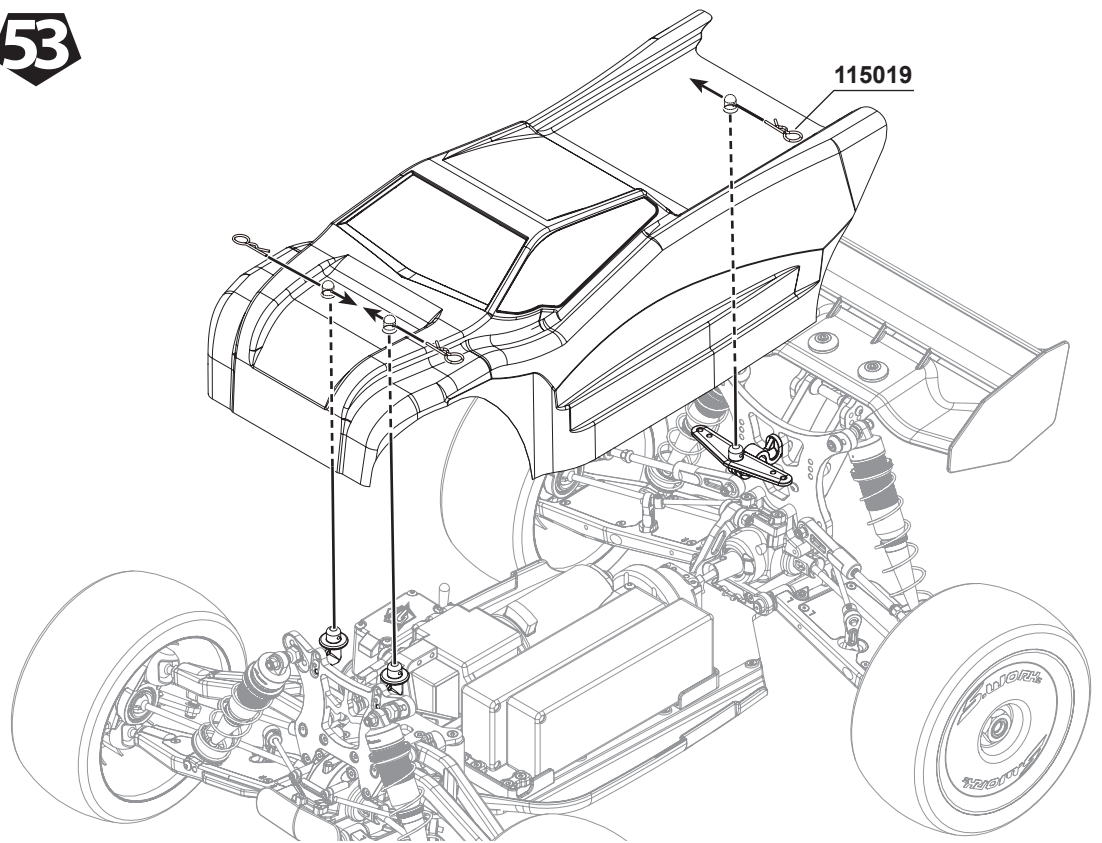


52

Use water/washing solution to clean body.



53



Name: \_\_\_\_\_

Date: \_\_\_\_\_

Track: \_\_\_\_\_

Event: \_\_\_\_\_

### Clutch

Clutch Bell:  T Spur:  T  
 Spring:  0.9 x \_\_\_\_\_  1.1 x \_\_\_\_\_  
 1.0 x \_\_\_\_\_  1.2 x \_\_\_\_\_  
 Shue: Carbon x \_\_\_\_\_ Aluminum x \_\_\_\_\_

### Diff. Oil

Front: # \_\_\_\_\_  
 Center: # \_\_\_\_\_  
 Rear: # \_\_\_\_\_

### Track Conditions

Size:  Open  Med.  Tight  
 Traction:  High  Med.  Low  
 Surface:  Smooth  Med.  Bumpy

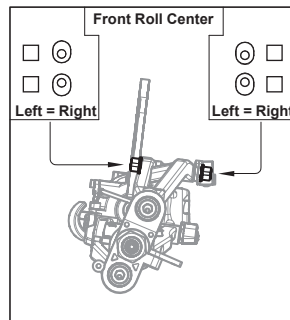
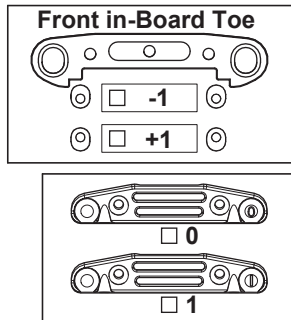
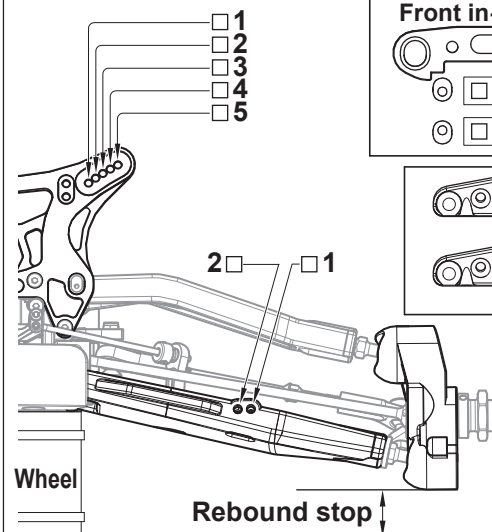
### Tire

Tires: \_\_\_\_\_  
 Compounds: \_\_\_\_\_  
 Inner: \_\_\_\_\_  
 Wheel: \_\_\_\_\_

### Engine

Engine: \_\_\_\_\_  
 Plug( \_\_\_\_\_ )  
 Muffler: \_\_\_\_\_  
 Fuel: \_\_\_\_\_

### Front Suspension

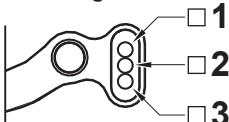


Track width \_\_\_\_\_ mm  
 Camber angle Upper \_\_\_\_\_ mm  
 Lower \_\_\_\_\_ mm  
 Toe angle \_\_\_\_\_  
 Rebound stop \_\_\_\_\_ mm  
 Sway bar  Use \_\_\_\_\_ mm  
 None \_\_\_\_\_ mm

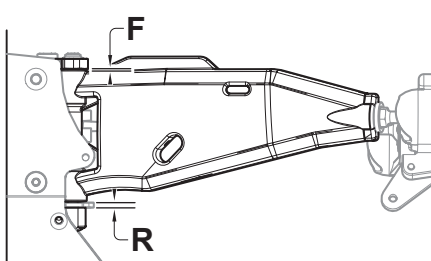
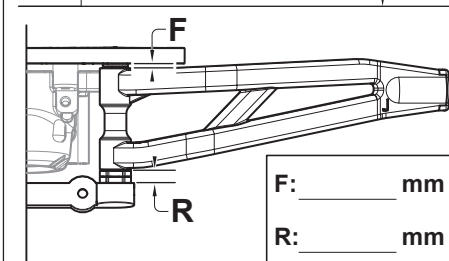
### Front Shocks

Oil: \_\_\_\_\_  
 Pistons: \_\_\_\_\_  
 Spring: \_\_\_\_\_  
 Spring Adj: \_\_\_\_\_ mm

### Steering Ackerman



Notes: \_\_\_\_\_  
 \_\_\_\_\_  
 \_\_\_\_\_



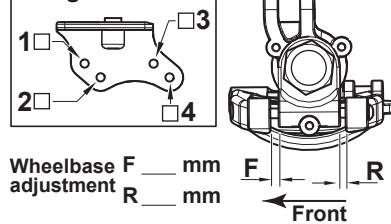
F: \_\_\_\_\_ mm  
 R: \_\_\_\_\_ mm

#### Camber Angle

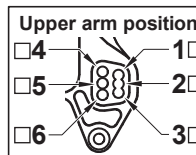
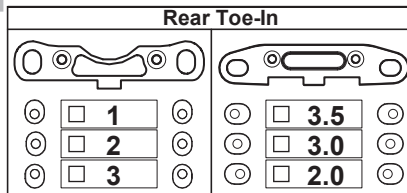
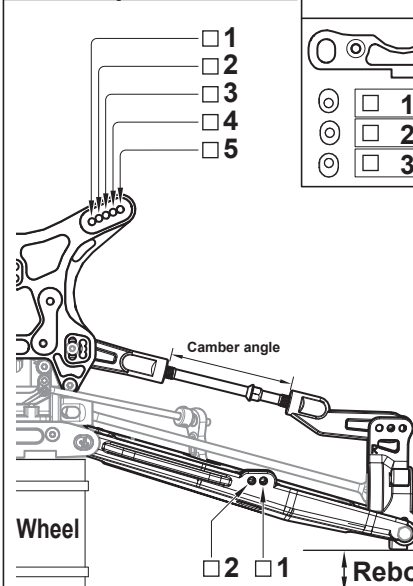
F: \_\_\_\_\_ °  
 R: \_\_\_\_\_ °

Body: \_\_\_\_\_  
 Wing: \_\_\_\_\_

### Wing Position

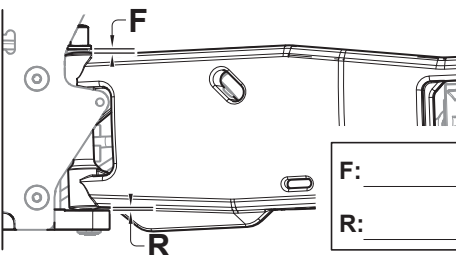


### Rear Suspension



### Rear Shocks

Oil: \_\_\_\_\_  
 Pistons: \_\_\_\_\_  
 Spring: \_\_\_\_\_ Camber angle \_\_\_\_\_ mm Sway bar  
 Spring Adj: \_\_\_\_\_ mm Rebound stop \_\_\_\_\_ mm  Use \_\_\_\_\_ mm  
 None



#### Ride height

F: \_\_\_\_\_ mm  
 R: \_\_\_\_\_ mm

Name: \_\_\_\_\_

Date: \_\_\_\_\_

Track: \_\_\_\_\_

Event: \_\_\_\_\_

### Clutch

Clutch Bell:  T  Spur:  T  
 Spring:  0.9 x  1.1 x  
 1.0 x  1.2 x  
 Shue: Carbon x  Aluminum x

### Diff. Oil

Front: # \_\_\_\_\_  
 Center: # \_\_\_\_\_  
 Rear: # \_\_\_\_\_

### Track Conditions

Size:  Open  Med.  Tight  
 Traction:  High  Med.  Low  
 Surface:  Smooth  Med.  Bumpy

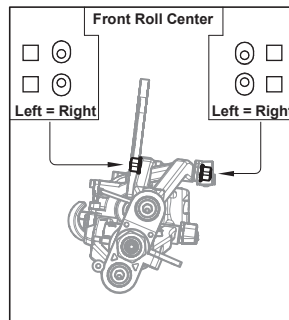
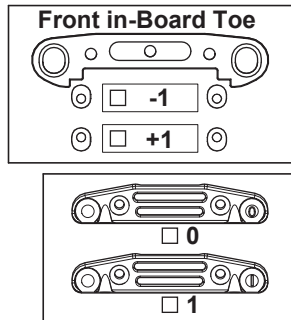
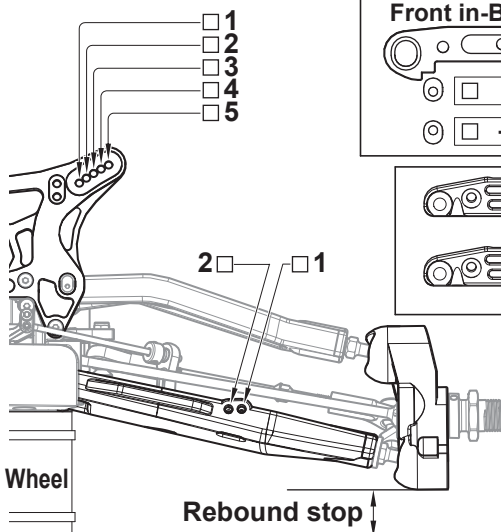
### Tire

Tires: \_\_\_\_\_  
 Compounds: \_\_\_\_\_  
 Inner: \_\_\_\_\_  
 Wheel: \_\_\_\_\_

### Engine

Engine: \_\_\_\_\_  
 Plug( \_\_\_\_\_ )  
 Muffler: \_\_\_\_\_  
 Fuel: \_\_\_\_\_

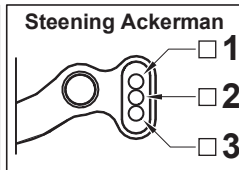
### Front Suspension



Track width \_\_\_\_\_ mm  
 Camber angle Upper \_\_\_\_\_ mm  
 Lower \_\_\_\_\_ mm  
 Toe angle \_\_\_\_\_  
 Rebound stop \_\_\_\_\_ mm  
 Sway bar  Use \_\_\_\_\_ mm  
 None

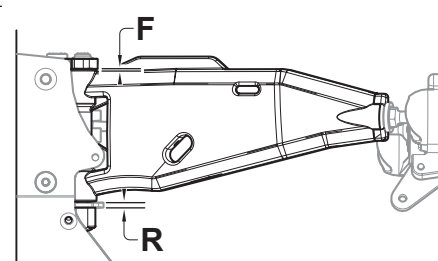
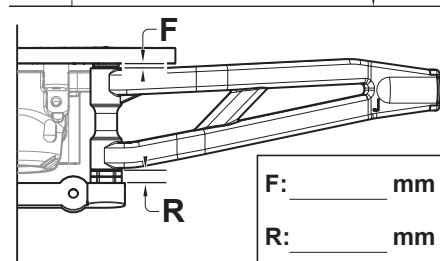
#### Front Shocks

Oil: \_\_\_\_\_  
 Pistons: \_\_\_\_\_  
 Spring: \_\_\_\_\_  
 Spring Adj: \_\_\_\_\_ mm

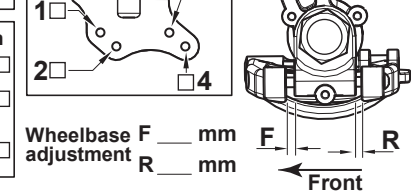


Notes: \_\_\_\_\_  
 \_\_\_\_\_  
 \_\_\_\_\_

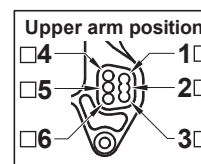
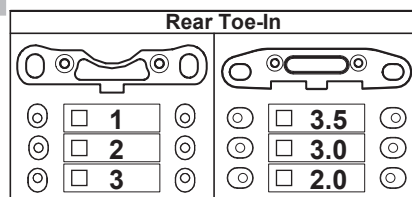
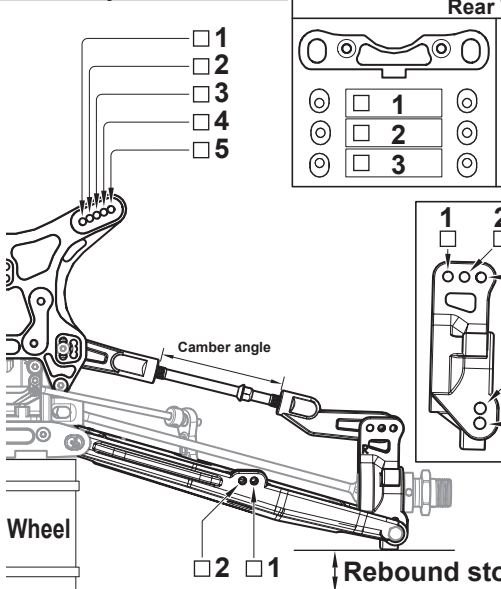
F: \_\_\_\_\_ mm  
 R: \_\_\_\_\_ mm  
 Camber Angle  
 F: \_\_\_\_\_ °  
 R: \_\_\_\_\_ °



Body: \_\_\_\_\_  
 Wing: \_\_\_\_\_  
 Wing Position

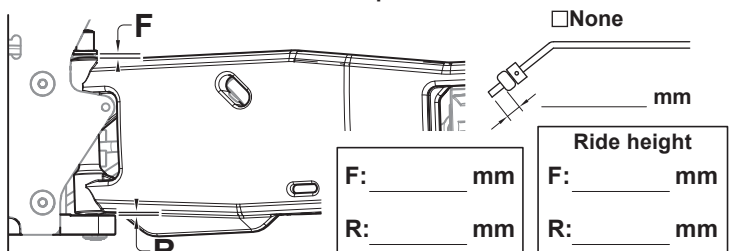


### Rear Suspension



#### Rear Shocks

Oil: \_\_\_\_\_  
 Pistons: \_\_\_\_\_  
 Spring: \_\_\_\_\_  
 Spring Adj: \_\_\_\_\_ mm  
 Camber angle \_\_\_\_\_ mm  
 Rebound stop \_\_\_\_\_ mm  
 Sway bar  Use \_\_\_\_\_ mm  
 None



F: \_\_\_\_\_ mm  
 R: \_\_\_\_\_ mm  
 Ride height  
 F: \_\_\_\_\_ mm  
 R: \_\_\_\_\_ mm

Name: \_\_\_\_\_

Date: \_\_\_\_\_

Track: \_\_\_\_\_

Event: \_\_\_\_\_

### Clutch

Clutch Bell:  T  Spur:  T  
 Spring:  0.9 x \_\_\_\_\_  1.1 x \_\_\_\_\_  
 1.0 x \_\_\_\_\_  1.2 x \_\_\_\_\_  
 Shue: Carbon x \_\_\_\_\_ Aluminum x \_\_\_\_\_

### Diff. Oil

Front: # \_\_\_\_\_  
 Center: # \_\_\_\_\_  
 Rear: # \_\_\_\_\_

### Track Conditions

Size:  Open  Med.  Tight  
 Traction:  High  Med.  Low  
 Surface:  Smooth  Med.  Bumpy

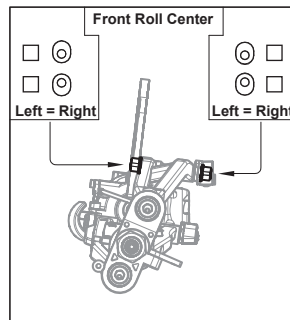
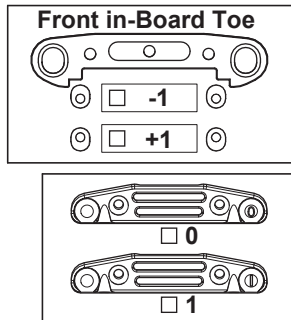
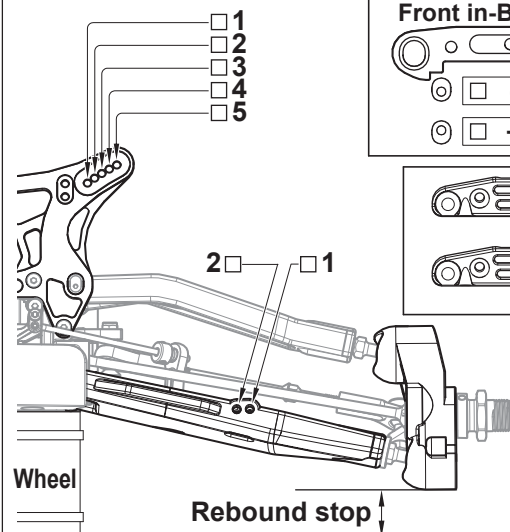
### Tire

Tires: \_\_\_\_\_  
 Compounds: \_\_\_\_\_  
 Inner: \_\_\_\_\_  
 Wheel: \_\_\_\_\_

### Engine

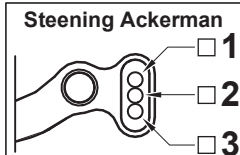
Engine: \_\_\_\_\_  
 Plug( \_\_\_\_\_ )  
 Muffler: \_\_\_\_\_  
 Fuel: \_\_\_\_\_

### Front Suspension

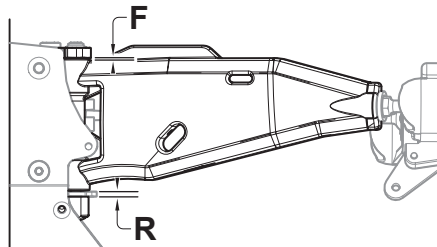
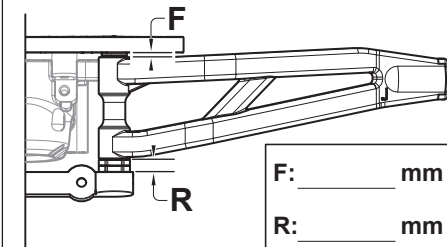


Track width \_\_\_\_\_ mm  
 Camber angle Upper \_\_\_\_\_ mm  
 Lower \_\_\_\_\_ mm  
 Toe angle \_\_\_\_\_ mm  
 Rebound stop \_\_\_\_\_ mm  
 Sway bar  Use \_\_\_\_\_ mm  
 None \_\_\_\_\_ mm

**Front Shocks**  
 Oil: \_\_\_\_\_  
 Pistons: \_\_\_\_\_  
 Spring: \_\_\_\_\_  
 Spring Adj: \_\_\_\_\_ mm

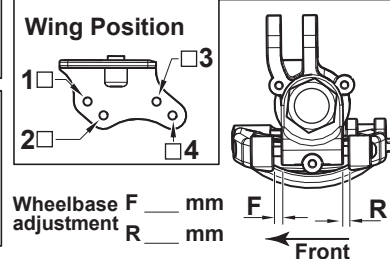
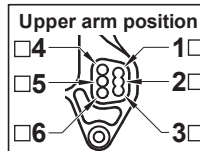
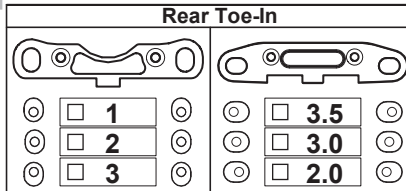
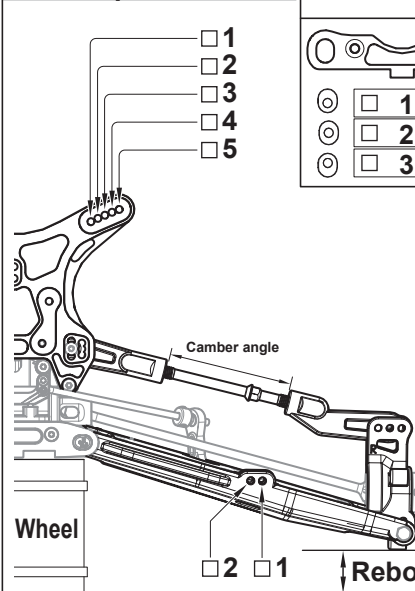


Notes: \_\_\_\_\_  
 \_\_\_\_\_  
 \_\_\_\_\_

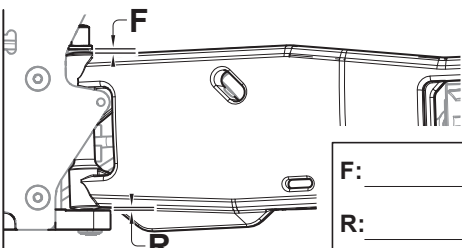


F: \_\_\_\_\_ mm  
 R: \_\_\_\_\_ mm  
 Camber Angle  
 F: \_\_\_\_\_ °  
 R: \_\_\_\_\_ °

### Rear Suspension



**Rear Shocks**  
 Oil: \_\_\_\_\_  
 Pistons: \_\_\_\_\_  
 Spring: \_\_\_\_\_  
 Spring Adj: \_\_\_\_\_ mm  
 Camber angle \_\_\_\_\_ mm  
 Rebound stop \_\_\_\_\_ mm  
 Sway bar  Use \_\_\_\_\_ mm  
 None \_\_\_\_\_ mm



F: \_\_\_\_\_ mm  
 R: \_\_\_\_\_ mm  
 Ride height  
 F: \_\_\_\_\_ mm  
 R: \_\_\_\_\_ mm



# Parts No. List

Part No.	Part Name	Q'ty in Use	Item No.	Part No.	Part Name	Q'ty in Use	Item No.
2501114	S350 Gear Box Set (F&R)	2	SW-2501114	400009	Shock Boot (L)	2	SW-400009
2501095	S350 Rear Hub Carrier Set (L&R)	1	SW-2501095	400010	Shock Boot (S)	2	SW-400010
2501096	S350 Full Arm Holder Set (7pc)	1	SW-2501096	410031	S350 Seies Hex-Cell Shock Bladder	4	SW-410031
2501097	S350 Wing Stay Set with Bumper	1	SW-2501097	420010	Antenna Cup	1	SW-420010
2501098	S350 Front Steering Knuckle Set (L&R)	1	SW-2501098	250028	S350T Clean Body Shell Window Mask	1	SW-250028
2501099	S350 R/F Insert, Brake, Throttle Linkage Linkage Holder	2	SW-2501099	600002	GEAR GREASE(5g)	1	SW-600002
2501100	S350 Pivot Ball Cup, Caster Insert Set	2	SW-2501100	610002	Diff. Gasket (0.5T)	3	SW-610002
2501116	SWORKz High Done Force Wing Set (BK)(Fit S350)	1	SW-2501116	101010A	M3 Countersunk Washer(GM)	4	SW-101010A
2501121C	S350/S350T Ball End Set with Shock Plastic Parts	2	SW-2501121C	101004	Washer 3.5X10X0.2mm	12	SW-101004
2501122	S350 Settring Bellcrank Set with Servo Horn Set	1	SW-2501122	101014A	M3 Pivot Ball Bushing(GM)	1	SW-101014A
2501123	S350 Side Guard Set (L&R)	1	SW-2501123	101015	M5x8xT0.4mm	5	SW-101015
2501529	S350 BX1/BR1 Plastic Chassis Brace Set	1	SW-2501529	101016	M5x8xT0.8mm	1	SW-101016
2502036	S350 Series Rear Changable Plastic Lower Arm Plate with insert	1	SW-2502036	101018	SHIM 13x16x0.2mm	6	SW-101018
2502037	S350T Front Lower Arm Set	1	SW-2502037	101019	SHIM 6.0x10.0x0.2mm	2	SW-101019
2502038	S350T Rear Lower Arm Set	1	SW-2502038	101020A	3mm Countersunk Washers (RD)	2	SW-101020A
2502039	S350T Front Upper Arm Set	1	SW-2502039	101021	M3x8xT0.8mm	5	SW-101021
2502040-02	S350T Body Mount with Fuel Tank Ring-pull	1	SW-2502040-02	101022	M3.4x6xT0.5mm	4	SW-101022
2503260-03	S35-3 Series Plastic Suspension Inserts Set 1	1	SW-2503260-03	103001	M3 Nut Lock	20	SW-103001
2501469	S350 BE1 Series Spur Gear Set(45T/46T/47T)	1	SW-2501469	103003A	Flange M3 Nut Lock (GM)	4	SW-103003A
2501471A	S35-2E Center Diff Mount Cover	1	SW-2501471A	103004	M2.5mm Nut Lock	2	SW-103004
2503220	S35-2E Plastic Chassis Brace Set (3pc)	1	SW-2503220	104001	M5x4mm Set Screw	6	SW-104001
2503221BK	S35-2E Plastic Radio Box/Battery Case Set 1	1	SW-2503221BK	104004	M3x3mm Set Screw	12	SW-104004
220016-1	SWORKz 1/8 S35 E-series Plastic Steering Servo Mount	1	SW-220016-1	104005	M3x4mm Set Screw	4	SW-104005
420010	Antenna Tube	1	SW-420010	104007	M4x8mm Set Screw	4	SW-104007
250028	S350T Speed Rhino Body Shell	1	SW-250028	104008	M4x4mm Set Screw	5	SW-104008
320003	Diff. Bevel Gear 18T	6	SW-320003	105001	M3x8mm Cap Screw	1	SW-105001
320003	Diff. Bevel Gear 10T	12	SW-320003	105004	M2.6x6mm Cap Screw	11	SW-105004
330013	Bevel Gear Shaft	6	SW-330013	105005	M3x12mm Cap Screw	6	SW-105005
330014A	Front/Rear Diff. Outdrive	4	SW-330014A	105006	M3x28mm Cap Screw	4	SW-105006
330015	Pin M2.2x9.9mm	6	SW-330015	105011	M3x23mm Cap Screw	2	SW-105011
330017	Center Diff. Outdrive	2	SW-330017	106001	M3x8mm Hex Soket OH/TP Screw	2	SW-106001
330091A	Settring BellcrankPlate	1	SW-330091A	106002	M3x10mm Hex Soket OH/TP Screw	7	SW-106002
330103	Front/Rear Lower Arm HingPin	4	SW-330103	106003	M3x16mm Hex Soket OH/TP Screw	6	SW-106003
330110	CVD Join	6	SW-330110	106005	M3x15mm Hex Soket OH/TP Screw	13	SW-106005
330111	Pin M2.5x14.8mm	6	SW-330111	106006	M3x20mm Hex Soket OH/TP Screw	3	SW-106006
330112	CVD Axle	4	SW-330112	106007	M3x12mm Hex Soket OH/TP Screw(HT)	7	SW-106007
330113	Servo Saver Shaft	2	SW-330113	106008	M3x12mm Hex Soket OH/TP Screw	8	SW-106008
330114A	S350 Servo Saver Post (HC)	1	SW-330114A	106009	M3x25mm Hex Soket OH/TP Screw	4	SW-106009
330117A	S350 Series Knuckle Pivot Ball Washer(GM)	2	SW-330117A	106010	M3x6mm Hex Soket OH/TP Screw	33	SW-106010
330118A	S350 Series Knuckle Pivot Ball Nut(GM)	4	SW-330118A	106013	M2.5x8mm 1.5mmHex Soket OH/ST Screw	4	SW-106013
330119	Front Upper Arm HingPin	2	SW-330119	106018	M3x3mm Hex Soket OH/TP Screw	2	SW-106018
330122A	S350 Wheel Nut (HC)	4	SW-330122A	106021A	S35 Series M4x10mm Hex Soket OH/TP Set Screw	4	SW-106021A
330124	Pin M3.0x16.8mm	4	SW-330124	108001	M3x12mm FH/ST HEX Screw	22	SW-108001
330125	Rear Upper Sus. Arm Ball Stud	4	SW-330125	108003	M3x10mm FH/ST HEX Screw	26	SW-108003
330127	Steering Linkage Ball Stud 7mm	4	SW-330127	108006	M3x8mm FH/ST HEX Screw	29	SW-108006
330131A	S350 Shock Spring Adjust Nut (GM)	4	SW-330131A	108008	M3x35mm FH/ST HEX Screw	4	SW-108008
330134	Shock Ball Stud	12	SW-330134	108009	M3x20mm FH/ST HEX Screw	4	SW-108009
330114A	Servo Saver Nut(GM)	1	SW-330114A	108010	M4x10mm FH/ST HEX Screw	2	SW-108010
330136	Sway Bar Ball Stud	4	SW-330136	108011	M4x12mm FH/ST HEX Screw	4	SW-108011
330138A	S350 EVO Aluminum Shock Cap Stud	4	SW-330138A	108012	M4x16mm FH/ST HEX Screw	8	SW-108012
330139A	S350 Shock Cap (GM)	4	SW-330139A	108013	M4x8mm FH/ST HEX Screw	1	SW-108013
330160	S-System Pinion Gear 13T	2	SW-330160	108014	M3x3mm FH/ST HEX Screw	4	SW-108014
330164	Crown Gear 43T	2	SW-330164	108015	M3x16mm FH/ST HEX Screw	2	SW-108015
330218	BK1 EVO Shock Body (L)	2	SW-330218	108019	M2.6x6mm FH/ST HEX Screw	22	SW-108019
330219	BK1 EVO Shock Body(S)	2	SW-330219	115003	Tornado Clutch Spring	3	SW-115003
330220	BK1 EVO 4mm Shock Shaft ( L)	2	SW-330220	330114A	Servo Saver Spring	1	SW-330114A
330221	BK1 EVO 4mm Shock Shaft (S)	2	SW-330221	115005	Rear Sway Ball 2.8mm	1	SW-115005
330222A	S350 EVO Shock Seal Cap (GM)	4	SW-330222A	115008	Front Sway Ball 2.3mm	1	SW-115008
210032	BK1 EVO Shock Seal Washer 3.6X7X2.5mm	4	SW-210032	115019	Body Clip	3	SW-115019
330226	BK1 EVO Shock Seal Washer 3.6X7X1mm	4	SW-330226	210029A	S350 Shock Spring S (1.5mm x P14)(SB)	2	SW-210029A
330226	BK1 EVO Steering Knuckle Plate (L)	1	SW-330226	210029A	S350 Shock Spring L (1.5mm x P14)(SB)	2	SW-210029A
330226	BK1 EVO Steering Knuckle Plate (R)	1	SW-330226	116004	Ball Bearing 6x10x3mm	4	SW-116004
330246	BE1 Motor Gear 16T	1	SW-330246	116006	Ball Bearing 8x16x5mm	14	SW-116006
330249A	S350 Series BK1 EVO Servo Saver Steering Plate (GM)	1	SW-330249A	116010	Ball Bearing 5x10x4mm	2	SW-116010
330251	S350 BX1/BR1 Steering Plate Bushing	2	SW-330251	116012	Ball Bearing 15x21x4mm	4	SW-116012
330252	Steering Knuckle Pivot Ball Turnbuckle	4	SW-330252	117003	Flange Ball Bearing 3x6x2.5mm	6	SW-117003
330266	BK1 EVO Aluminum Changable Rear Lower Arm Plate (FC USE)	1	SW-330266				
330267A	S350 EVO Aluminum Rear Lower Arm Holder (FC USE)(GM)	1	SW-330267A				
330401	Rear Hub Carriers Hing Pin with Nut	2	SW-330401				
330439	BK1 EVO Shock Piston 1.3mmX5 Holes	4	SW-330439				
330458	S350T Rear Upper Arm Turnbuckle M5x72mm	2	SW-330458				
330459	S350T Steering Linkage Turnbuckle M4x75mm	2	SW-330459				
330454	S350T Drive Shaft L130mm	4	SW-330454				
330501A	S350T S-Pinion Gear 10T (suit only for SW-330502A)	2	SW-330501A				
330502A	S35-T Truggy Crown Gear 46T (Fit for SW-330650/330501A)	2	SW-330502A				
330568	S350 Buggy Series Aluminum Center Diff. Mount	1	SW-330568				
330642	S35 Series Adjust Front Lower Arm Plate	1	SW-330642				
330693	S35-2E Center Motor Mount	1	SW-330693				
330694	6mm Ball Stud	1	SW-330694				
330697	S35-2E Rear Drive Shaft (S)	1	SW-330697				
330699B	S35-2E/3E Center Main Drive Shaft (L)	1	SW-330699B				
330776	S35-3 Series Servo Saver Nut	1	SW-330776				
330814A	S35-2E/ZEUS Series EP T7075 Main Chassis	1	SW-330814A				
330815A	S350T/ZEUS T7075 Sport Front Shock Tower	1	SW-330815A				
330816A	S350T/ZEUS T7075 Sport Rear Shock Tower	1	SW-330816A				
330827	S350 Sport Buggy Series Aluminum Servo Saver Steering Plate	1	SW-330827				
330830	S350 Sport Buggy Series Aluminum Rear Lower Arm Holder	1	SW-330830				
400002	O-ring S5	6	SW-400002				
400005	Shock Spring Adjust Nut O-Ring	4	SW-400005				
400011A	BK1 EVO Soft Shock Seal O-ring 3.8x2mm	8	SW-400011A				

## Spare Part List

Item No.	Part Name
SW-2501114	S350 Gear Box Set (F&R)
SW-2501095	S350 Rear Hub Carrier Set (L&R)
SW-2501096	S350 Full Arm Holder Set (7pc)
SW-2501097	S350 Wing Stay Set with Bumper
SW-2501098	S350 Front Steering Knuckle Set (L&R)
SW-2501099	S350 R/F Insert, Brake, Throttle Linkage Linkage Holder
SW-2501100	S350 Pivot Ball Cup, Caster Insert Set
SW-2501116	SWORKz High Done Force Wing Set (BK)(Fit S350)
SW-2501121C	S350/S350T Ball End Set with Shock Plastic Parts
SW-2501122	S350 Settring Bellcrank Set with Servo Horn Set
SW-2501123	S350 Side Guard Set (L&R)
SW-2501529	S350 BX1/BR1 Plastic Chassis Brace Set
SW-2502036	S350 Series Rear Changable Plastic Lower Arm Plate with insert
SW-2502037B	S35-T/S350T Race-composite Front Lower Arm +3mm Set
SW-2502038B	S35-T/S350T Race-composite Rear Lower Arm +3mm Set
SW-2502039B	S35-T/S350T Race-composite Front Upper Arm +3mm Set
SW-2502040-02	S350T Body Mount with Fuel Tank Ring-pull
SW-2503260-03	S35-3 Series Plastic Suspension Inserts Set
SW-2501469	S350 BE1Series Spur Gear Set(45T/46T/47T)
SW-2501471A	S35-2E Center Diff Mount Cover
SW-2503220BK	S35-2E/3E Series Black Plastic Chassis Brace Set (3pc)
SW-2503221BK	S35-2E Plastic Radio Box/Battery Case Set
SW-220016-1	SWORKz 1/8 S35 E-series Plastic Steering Servo Mount
SW-420010	Antenna Tube
SW-250028	S350T Speed Rhinocero Body Shell
SW-320003	Diff. Bevel Gear 18T
SW-320003	Diff. Bevel Gear 10T
SW-330013	Bevel Gear Shaft
SW-330014A	Front/Rear Diff. Outdrive
SW-330015	Pin M2.2x9.9mm
SW-330017	Center Diff. Outdrive
SW-330091A	Settring BellcrankPlate
SW-330103	Front/Rear Lower Arm HingPin
SW-330110	CVD Join
SW-330111	Pin M2.5x14.8mm
SW-330112	CVD Axle
SW-330113	Servo Saver Shaft
SW-330114A	S350 Servo Saver Post (HC)
SW-330117A	S350 Series Knuckle Pivot Ball Washer(GM)
SW-330118A	S350 Series Knuckle Pivot Ball Nut(GM)
SW-330119	Front Upper Arm HingPin
SW-330121A	S350 Wheel Hub(HC)
SW-330122A	S350 Wheel Nut (HC)
SW-330124	Pin M3.0x16.8mm
SW-330125	Rear Upper Sus. Arm Ball Stud
SW-330127	Steering Linkage Ball Stud 7mm
SW-330131A	S350 Shock Spring Adjust Nut (GM)
SW-330134	Shock Ball Stud
SW-330136	Sway Bar Ball Stud
SW-330138A	S350 EVO Aluminum Shock Cap Stud
SW-330139A	S350 Shock Cap (GM)
SW-330218	BK1 EVO Shock Body (L)
SW-330219	BK1 EVO Shock Body(S)
SW-330220	BK1 EVO 4mm Shock Shaft ( L)
SW-330221	BK1 EVO 4mm Shock Shaft (S)
SW-330222A	S350 EVO Shock Seal Cap (GM)
SW-210032	BK1 EVO Shock Seal Washer 3.6X7X2.5mm
SW-210032	BK1 EVO Shock Seal Washer 3.6X7X1mm
SW-330245	BE1 Motor Gear 15T
SW-330251	S350 BX1/BR1 Steering Plate Bushing
SW-330252	Steering Knuckle Pivot Ball Turnbuckle
SW-330439A	S350 Pro Shock 2.0 Piston 1.3mmX5 Straight Holes
SW-330458	S350T Rear Upper Arm Turnbuckle M5x72mm
SW-330459	S350T Steering Linkage Turnbuckle M4x75mm
SW-330501A	S350T S-Pinion Gear 10T (suit only for SW-330502A)
SW-330502A	S35-T Truggy Crown Gear 46T (Fit for SW-330650/330501A)
SW-330552	S350T Front and Rear Suspension Drive Shaft L133mm
SW-330568A	S35/350E Sport Buggy Series Aluminum Center Diff. Mount
SW-330693A	S35/350E Sport Buggy Series Aluminum Center Motor Mount
SW-330694A	S35 E Series 6mm Steel Ball Stud
SW-330697	S35-2E Rear Drive Shaft (S)
SW-330699	S35-2E/3E Center Main Drive Shaft (L)
SW-330782	S35-3 Series Rear Hub Carriers Hinge Pin with Nut
SW-330814A	S35-2E/ZEUS Series EP T7075 Main Chassis
SW-330815A	S350T/ZEUS T7075 Sport Front Shock Tower

## Spare Part List

Item No.	Part Name
SW-330816A	S350T/ZEUS T7075 Sport Rear Shock Tower
SW-330826	S350 Sport Buggy Series Steering Aluminum Knuckle Plate (R&L)
SW-330827	S350 Sport Buggy Series Aluminum Servo Saver Steering Plate
SW-330830	S350 Sport Buggy Series Aluminum Rear Lower Arm Holder
SW-330831	S350 Sport Buggy Series Aluminum Front Lower Arm Plate
SW-400002	O-ring S5
SW-400005	Shock Spring Adjust Nut O-Ring
SW-400011A	BK1 EVO Soft Shock Seal O-ring 3.8x2mm
SW-400009	Shock Boot (L)
SW-400010	Shock Boot (S)
SW-410022	Shock Bladder
SW-420010	Antenna Cup
SW-540001	Hook & Loop strap 2x27cm
SW-600002	GEAR GREASE(5g)
SW-610002	Diff. Gasket (0.5T)
SW-101010A	M3 Countersunk Washer(GM)
SW-101004	Washer 3.5X10X0.2mm
SW-101014A	M3 Pivot Ball Bushing(GM)
SW-101015	M5x8xT0.4mm
SW-101016	M5x8xT0.8mm
SW-101018	SHIM 13x16x0.2mm
SW-101019	SHIM 6.0x10.0x0.2mm
SW-101020A	3mm Countersunk Washers (RD)
SW-101021	M3x8xT0.8mm
SW-101022	M3.4x6xT0.5mm
SW-103001	M3 Nut Lock
SW-103003A	Flange M3 Nut Lock (GM)
SW-103004	M2.5mm Nut Lock
SW-104004	M3x3mm Set Screw
SW-104005	M3x4mm Set Screw
SW-104008	M4x4mm Set Screw
SW-104010	M5x4mm Set Screw
SW-105001	M3x8mm Cap Screw
SW-105004	M2.6x6mm Cap Screw
SW-105005	M3x12mm Cap Screw
SW-105006	M3x28mm Cap Screw
SW-105011	M3x23mm Cap Screw
SW-106001	M3x8mm Hex Soket OH/TP Screw
SW-106002	M3x10mm Hex Soket OH/TP Screw
SW-106003	M3x16mm Hex Soket OH/TP Screw
SW-106005	M3x15mm Hex Soket OH/TP Screw
SW-106006	M3x20mm Hex Soket OH/TP Screw
SW-106007	M3x12mm Hex Soket OH/TP Screw(HT)
SW-106008	M3x12mm Hex Soket OH/TP Screw
SW-106009	M3x25mm Hex Soket OH/TP Screw
SW-106010	M3x6mm Hex Soket OH/TP Screw
SW-106013	M2.5x8mm 1.5mmHex Soket OH/ST Screw
SW-106018	M3x3mm Hex Soket OH/TP Screw
SW-106021A	S35 Series M4x10mm Hex Soket OH/TP Set Screw (8pc)
SW-108001	M3x12mm FH/ST HEX Screw
SW-108003	M3x10mm FH/ST HEX Screw
SW-108006	M3x8mm FH/ST HEX Screw
SW-108008	M3x35mm FH/ST HEX Screw
SW-108009	M3x20mm FH/ST HEX Screw
SW-108010	M4x10mm FH/ST HEX Screw
SW-108011	M4x12mm FH/ST HEX Screw
SW-108012	M4x16mm FH/ST HEX Screw
SW-108013	M4x8mm FH/ST HEX Screw
SW-108014	M3x3mm FH/ST HEX Screw
SW-108015	M3x16mm FH/ST HEX Screw
SW-108019	M2.6x6mm FH/ST HEX Screw
SW-115005	Rear Sway Ball 2.8mm
SW-115008	Front Sway Ball 2.3mm
SW-115019	Body Clip
SW-210029A	S350 Shock Spring S (1.5mm x P14)(SB)
SW-210029A	S350 Shock Spring L (1.5mm x P14)(SB)
SW-116004	Ball Bearing 6x10x3mm
SW-116006	Ball Bearing 8x16x5mm
SW-116012	Ball Bearing 15x21x4mm

## Option Part List

Item No.	Part Name
SW-115007	Rear Sway Bar 3.0mm
SW-115010	Front Sway Bar 2.8mm
SW-210014	Front Sway Bar Set
SW-210015	Rear Sway Bar Set(2.6/2.8/3.0)
SW-220014FY	SWORKz 1/8 Off Road Speed Wing (FY)
SW-220014WH	SWORKz 1/8 Off Road Speed Wing (WH)
SW-2501116	S-WORKz High Done Force Wing Set (BK)(Fit S350)
SW-2501116A	S-WORKz High Done Force Wing Set (BK)
SW-2501116AFY	S-WORKz High Done Force Wing Set (FY)
SW-2501116AWH	S-WORKz High Done Force Wing Set (WH)
SW-2503260FO	S353 Series Colorful Plastic Inserts Set (FO)
SW-2503260FY	S353 Series Colorful Plastic Inserts Set (FY)
SW-330115	Steering Knuckle Pivot Ball Turnbuckle
SW-330116	14mm Knuckle Pivot Ball
SW-330125A	S350 Series Aluminum Rear Upper Sus. Arm Ball Stud(4pc)
SW-330134A	S350 Series Aluminum Shock Ball Stud(4pc)
SW-330136A	S350 Series Aluminum Sway Bar Ball Stud(4pc)
SW-330168A	S35-3 Series Rear Chassis Blance wight 15g(2pc)
SW-330210A	S350 Aluminum Front Upper Arm Holder (GM Color)
SW-330215A	S35/350 Sries Aluminum Front Changeable Lower Arm Holder (BK)
SW-330243	SWORKz 3x18mm Shock Hex Screw Set (Anti-Clockwise)
SW-330398A	SWORKz S350 Series Pro Wheel Nut (GM)
SW-330420	S350 Series Knuckle Pivot Ball Balance Nut (5.5g) (2pc)
SW-330420	S350 Series Knuckle Pivot Ball Balance Nut (5.5g) (2pc)
SW-330421	S350 Series Front Wheel Hub Balance Weight (10g)(L)
SW-330422	S350 Series Front Wheel Hub Balance Weight (10g)(R)
SW-330424	S350 Series Aluminum Wing Holder (RED)
SW-330424B	S350 Series Aluminum Wing Holder (BK)
SW-330424G	S350 Series Aluminum Wing Holder (GM)
SW-330474	S350 Series Rear Wheel Hub Balance Weight Lower (8g) (2pc)
SW-330475	S350 Series Rear Wheel Hub Balance Weight Lower (5g)(2pc)
SW-330499	S350 Series Rear Sway Bar 2.7mm
SW-330500	S350 Series Front Sway Bar 2.0mm
SW-330661A	S35-T/S35 Series Competition Center Drive Join (5mm set screw)
SW-330694	S35-2E Steering 6mm Ball Stud
SW-330695	S35-2E Pro Main Chassis
SW-330696	S35E Series Aluminum Rear Drive Shaft (S)
SW-330698	S35E Series Aluminum Center Main Drive Shaft (L)
SW-330787	S35 E-Series T7075 Aluminum Front Chassis Brace
SW-330788	S35 E-Series T7075 Aluminum Center Chassis Brace
SW-330789	S35 E-Series T7075 Aluminum Rear Chassis Brace
SW-330817	SWORKz 1/8 EP Motor Pinion Gear 18T
SW-330818	SWORKz 1/8 EP Motor Pinion Gear 19T
SW-330819	SWORKz 1/8 EPMotor Pinion Gear 20T
SW-360001	S35 Series Front Arm Holder Balance Weight Set (25g/35g)
SW-510053	SWORKz Speed Logo Sticker (Standard)(BK) (2pc)
SW-510053-PBK	SWORKz Speed Logo Sticker (PushBar)( BK)(2pc)
SW-510053-PFO	SWORKz Speed Logo Sticker (PushBar)( FO)(2pc)
SW-510053-PFY	SWORKz Speed Logo Sticker (PushBar)( FY)(2pc)
SW-510053-PHA	SWORKz Speed Logo Sticker (PushBar)(Hara Edition)(2pc)
SW-510053-PWH	SWORKz Speed Logo Sticker (PushBar)(WH)(2pc)
SWC-115107	S350 Competition Shock Spring A-2 (75X1.4X7.25)(Red)
SWC-115109	S350 Competition Shock Spring B-2 (90X1.4X8.5)(Pink)
SWC-115110	S350 Competition Shock Spring C-1 (75X1.5X7.75)(SkyBlue)
SWC-115118	S350 Competition Shock Spring E-3 (90X1.5X8.5)(Blue)
SWC-116006C	SWORKz Competition 8x16x5mm Ball Bearing (Metal Case)(6PC)
SWC-116010C	SWORKz Competition 5x10x4mm Ball Bearing (Metal Case)(6PC)
SWC-116016B	SWORKz Competition 5x11x4mm Ball Bearing (Metal Case)(4PC)
SWC-116017A	SWORKz Competition 6x12x4mm Ball Bearing (Metal Case)(8PC)
SWC-210082	SWORKz S35-3 Competition Ball Bearing Kit (Metal Case)(Set)(20PC)
SWC-330115A	S350 Series Competition Titanium Steering Knuckle Pivot Ball Turnbuckle



# **Sworkz**

[www.sworkz.com](http://www.sworkz.com)



**SPEEDMASTER HOBBY CO., LTD.**

TEL: +886-3-538-7638

FAX: +886-3-538-7328

No.42, Ruiguang St., Xiangshan Dist.,  
Hsinchu City 300, Taiwan (R.O.C.)

[www.sworkz.com](http://www.sworkz.com)