

Revell®

KIT 2862

85286200200

'86 CHEVY MONTE CARLO™ SS™

2'n1

While the big three American automakers were not introducing new high-performance models in great numbers in the early and mid 1980's, one of the bright spots during this period was the appearance of the Chevrolet® Monte Carlo™ SS™. GM downsized its popular lineup of intermediate models in 1978 and while still rear wheel drive, they also had substantially less horsepower and torque than previous models owing to growing emissions and fuel economy concerns. Working with what they had on the parts shelves, Chevrolet engineers put together a nice little package with the 1983 introduction of the Monte Carlo SS. Starting with the 305 cubic inch V-8, they increased the compression, added a hotter cam and larger diameter exhaust with the higher flow catalytic converter from the Corvette® to get a respectable 175 horsepower rating. With the revised 3.42:1 rear axle ratio, the 0 to 60 mph times decreased down to the low 9 second range.

The SS could corner as well as it could accelerate with the addition of the F41 suspension package featuring stiffer shocks and springs and a quicker steering ratio. These mechanical improvements were wrapped in a stylish body thankfully devoid of then popular chrome trim and vinyl top coverings. Since the Monte Carlo SS was the main choice for the Chevrolet stock car racing teams, the SS also had an all-new aerodynamic friendly nose, unique to the model. This made it the car to have at the time on the high-banked ovals of the stock car circuit. By 1986 the horsepower had increased to 180.

Today, over twenty years after its introduction, the SS remains a popular choice due to its combination of light weight, rear wheel drive, V-8 power and good looks. Even with the latest large diameter lowrider-type rims such as those we've included in this new Revell® reissue, the Monte Carlo SS looks as contemporary as ever.



* REPEAT SEVERAL TIMES
* A REPETER PLUSIEURS FOIS



* OPTIONAL PARTS
* PIECES EN OPTION



* DECAL
* DECAL COMANIE



* ALTERNATIVE ASSEMBLY
* ENSEMBLAGE ALTERNATIVE



* CEMENT TOGETHER
* A COLLER



* REMOVE AND THROW AWAY
* A RETIRER ET JETER



* DO NOT CEMENT
* NE PAS COLLER

READ THIS BEFORE YOU BEGIN

- * Study the assembly drawings.
- * Each plastic part is identified by a number.
- * In the assembly drawings, some parts will be marked by a star (★) to indicate chrome plated plastic.
- * For better paint and decal adhesion, wash the plastic parts in a mild detergent solution. Rinse and let air dry.
- * Check the fit of each piece before cementing in place.
- * Use only cement for polystyrene plastic.
- * Scrape plating and paint from areas to be cemented.
- * Allow paint to dry thoroughly before handling parts.
- * Any unused parts may be discarded.

DECAL APPLICATION INSTRUCTIONS

1. Cut desired decal from sheet.
2. Dip decal in water for a few seconds.
3. Place wet decal on paper towel.
4. Wait until decal is movable on paper backing.
5. Place decal in position on model, face up and slide backing away.
6. Press out air bubbles with a soft damp cloth.
7. Milkiness that may appear is for better decal adhesion and will dry clear. Wipe away any excess adhesive.
8. Do not touch decal until fully dry.
9. Allow the decals 48 hours to dry before applying clear coat.

NOTE: Decals are compatible with setting solutions or solvents.

LIRE CE QUI SUIT AVANT DE COMMENCER

- * Etudier les schémas de montage.
- * Chaque pièce en plastique est identifiée par un numéro.
- * Sur les schémas de montage, certaines pièces sont marquées d'une étoile (★) pour indiquer qu'elles sont en plastique chromé.
- * Pour une meilleure prise de la peinture et des autocollants, laver les pièces en plastique avec une solution détergente peu concentrée. Les rincer et les laisser sécher à l'air.
- * Vérifier que chaque pièce s'ajuste bien avant de la coller en place.
- * N'utiliser que de la colle pour polystyrène.
- * Gratter les parties à coller pour enlever le chrome et la peinture.
- * Laisser la peinture bien sécher avant de manipuler les pièces.
- * Toute pièce inutilisée peut être jetée.

DIRECTIVES D'APPLICATION DES AUTOCOLLANTS

1. Découper l'autocollant désiré de la feuille.
2. Tremper l'autocollant dans de l'eau pendant quelques secondes.
3. Placer l'autocollant mouillé sur une serviette en papier.
4. Attendez que l'autocollant puisse être déplacé sur son support en papier.
5. Mettre l'autocollant en position sur le modèle face sur le dessus et faire glisser le support pour l'enlever.
6. Appuyer avec un chiffon doux humide pour éliminer les bulles d'air.
7. La substance laiteuse qui peut apparaître est destinée à améliorer l'adhésion de l'autocollant et devient incolore au séchage. Essuyer pour enlever tout excédent d'adhésif.
8. Ne pas toucher l'autocollant tant qu'il n'est pas bien sec.
9. Laisser l'autocollant sécher pendant 48 heures avant d'appliquer une couche transparente.

REMARQUE: Les autocollants sont compatibles avec les solutions de fixation ou les solvants.

This paint guide is provided to complete this kit as shown on the box.

Ce guide de peinture est fourni pour reproduire le modèle réduit qui apparaît sur la boîte.

Aluminum	Aluminum
Transparent red	Rouge Transparent
Flat black	Noir mat
Gloss black	Noir lustré
Semigloss black	Noir satiné
Flat white	Blanc mat
Silver	Argent
Green Metallic	Vert métallisé
Gunmetal	Bronze
Amber	Ambre

If you have any questions or comments, call our hotline at: **(800) 833-3570**
or, please write to:

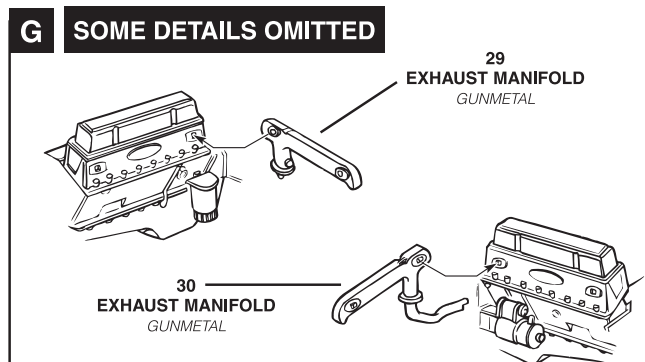
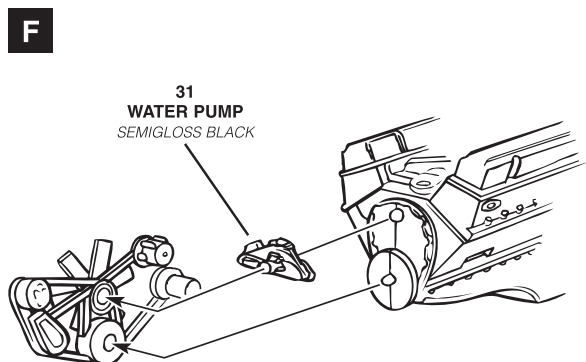
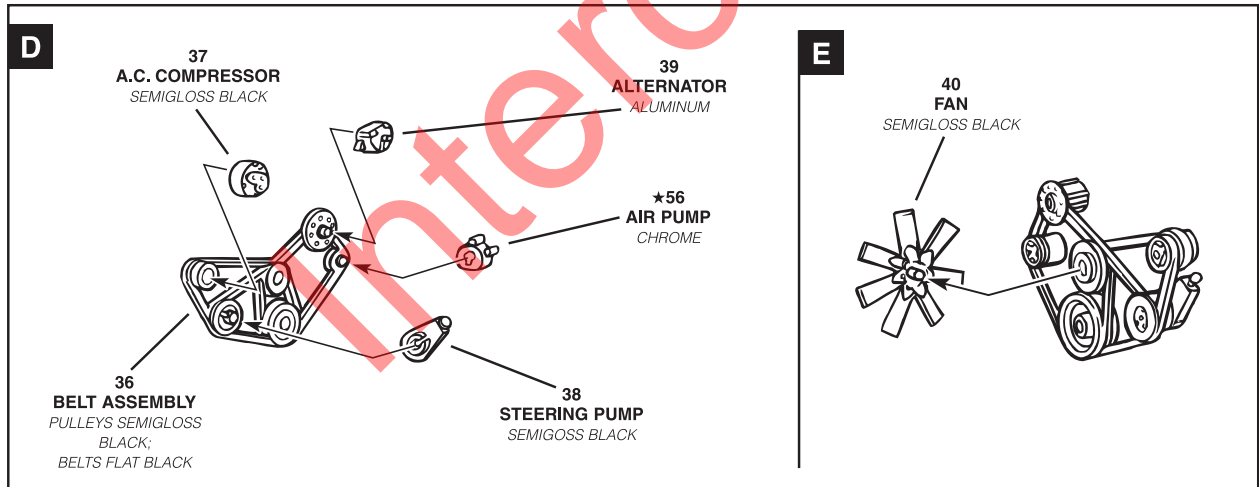
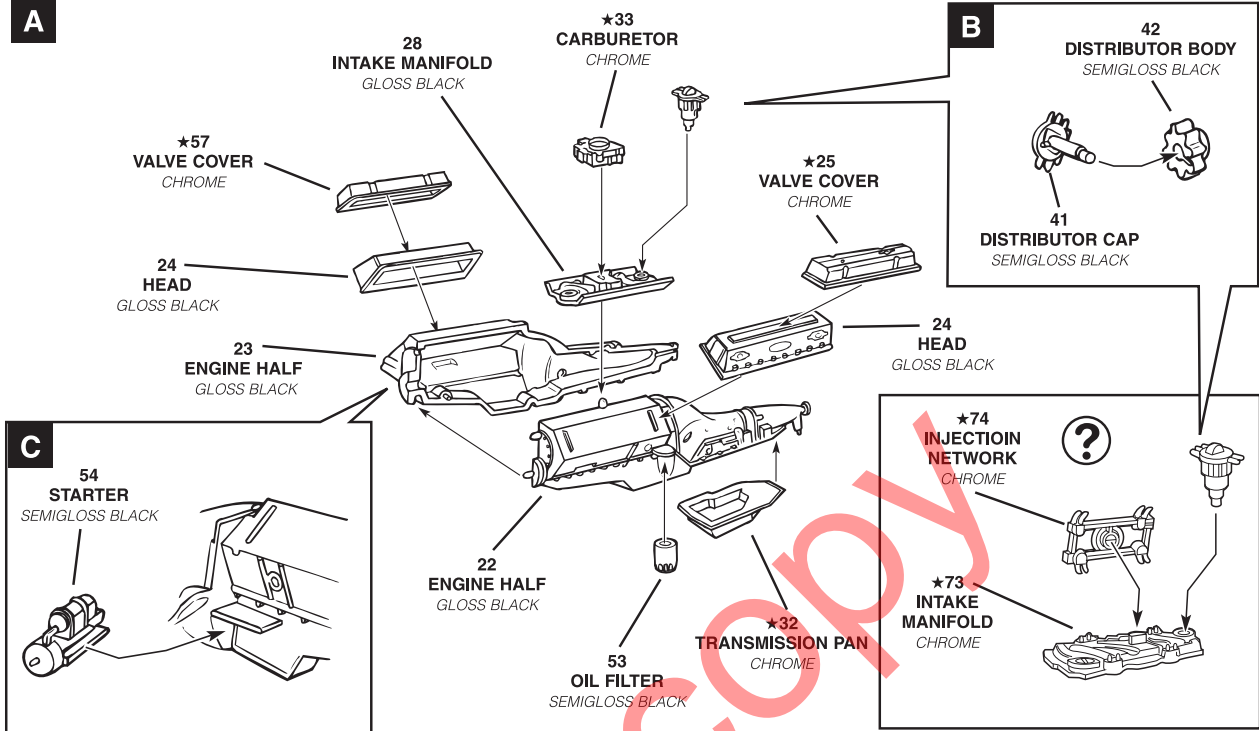
Revell-Monogram Consumer Service Department, 725 Landwehr Road, Northbrook, Illinois 60062

Be sure to include the plan number (85286200200), part number, description, your return address and phone number.

Visit our website: www.revell.com

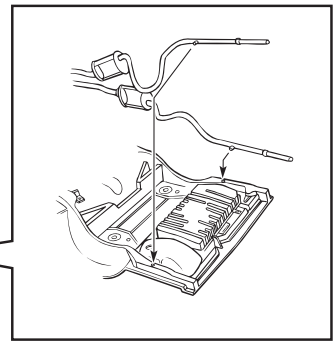
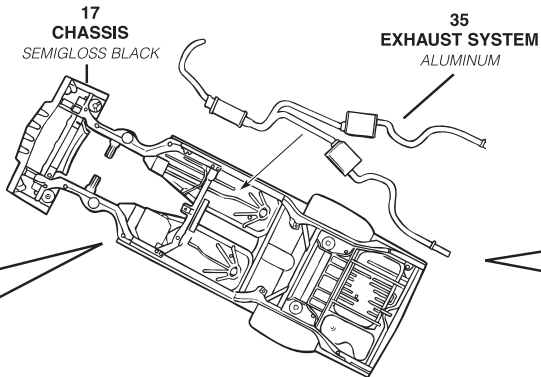
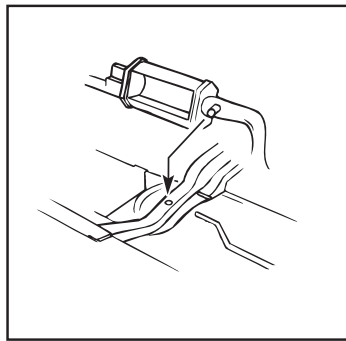
1

ENGINE ASSEMBLY

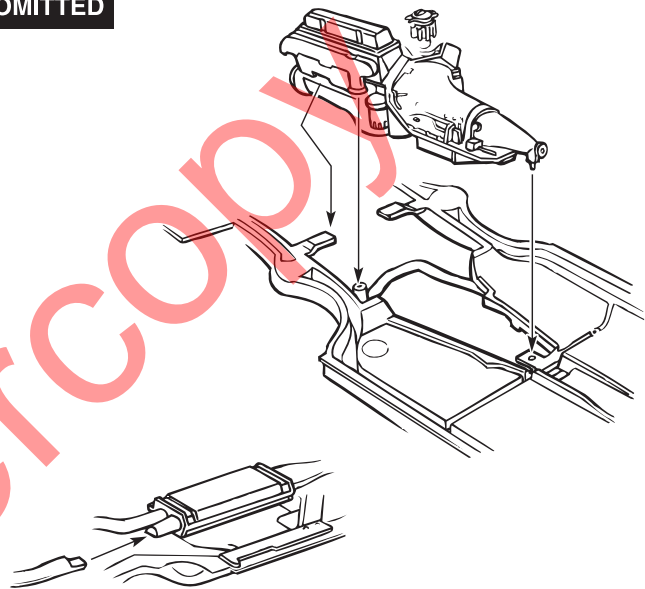
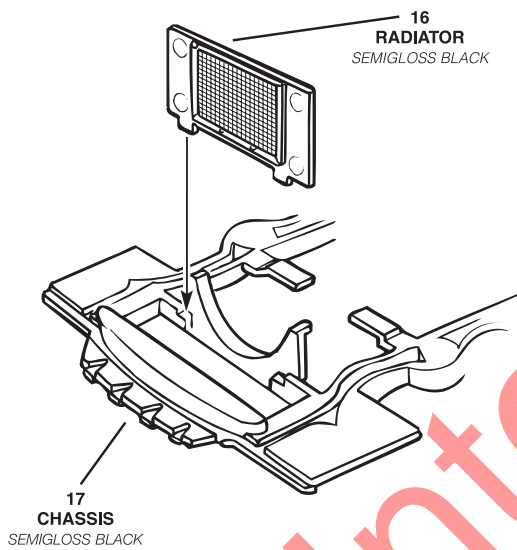


2

CHASSIS ASSEMBLY



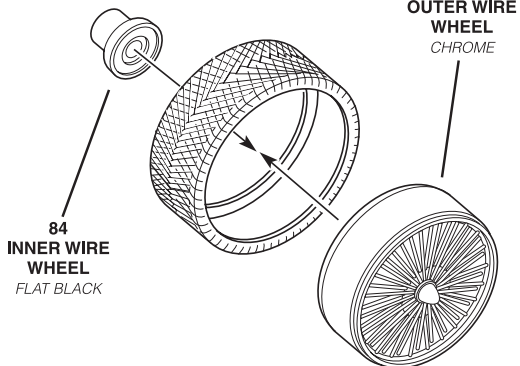
SOME DETAILS OMITTED



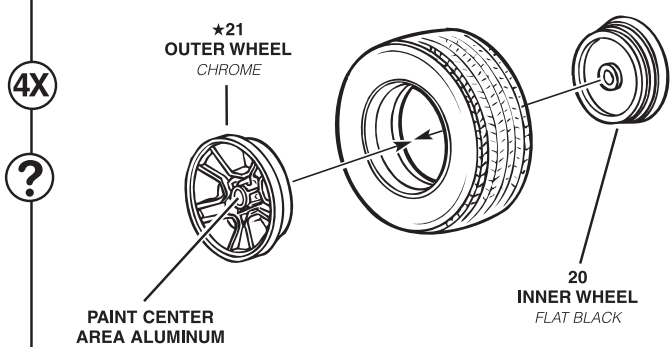
3

WHEEL ASSEMBLY

CUSTOM

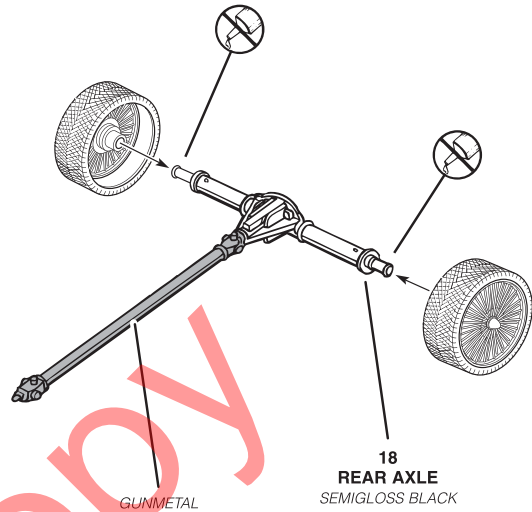
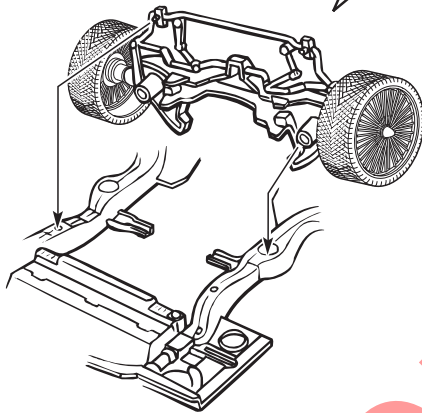
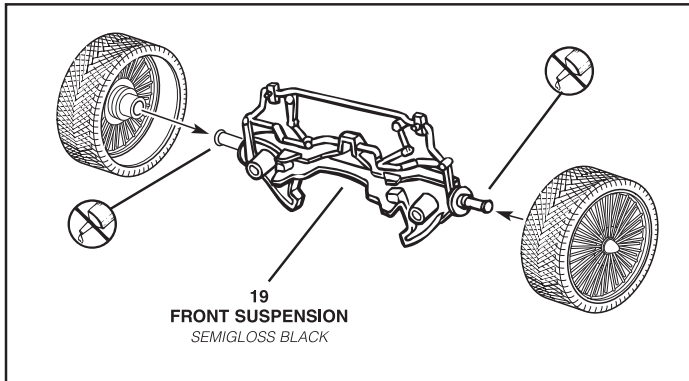


STOCK

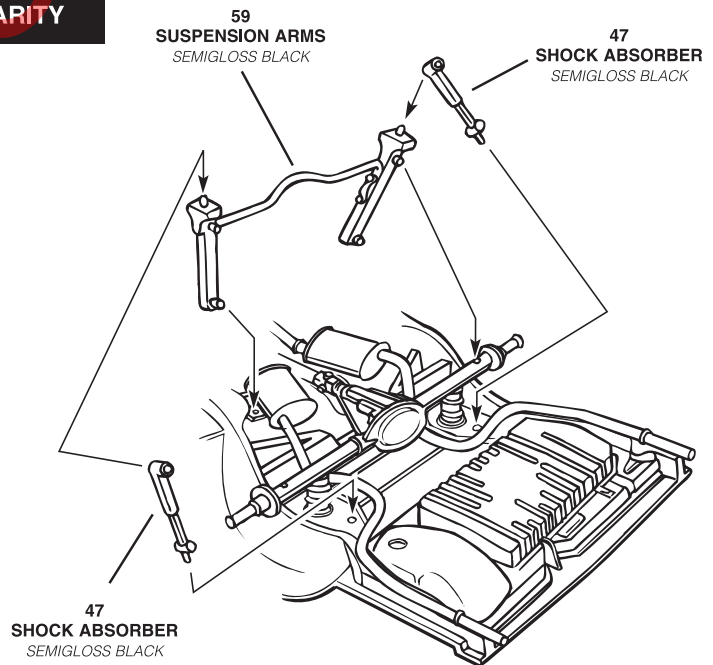
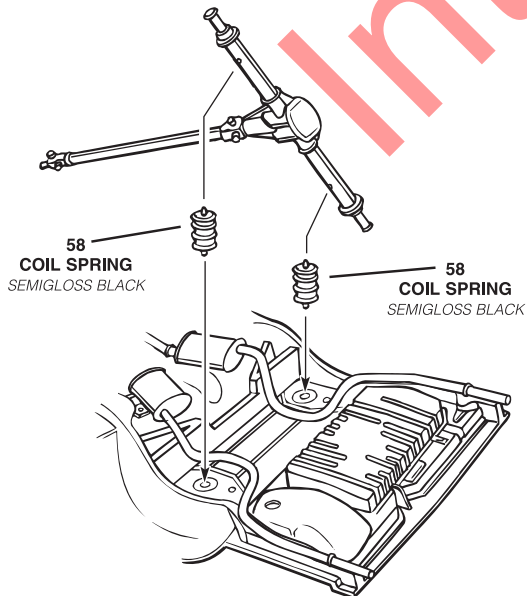


4

SUSPENSION ASSEMBLY

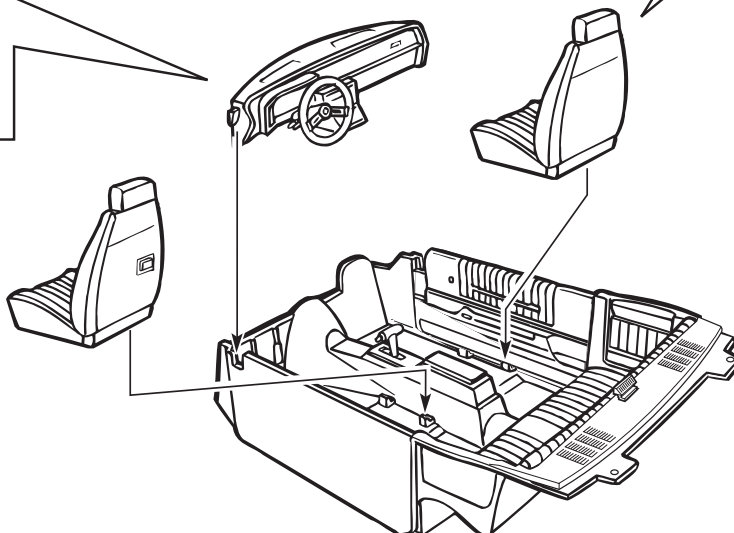
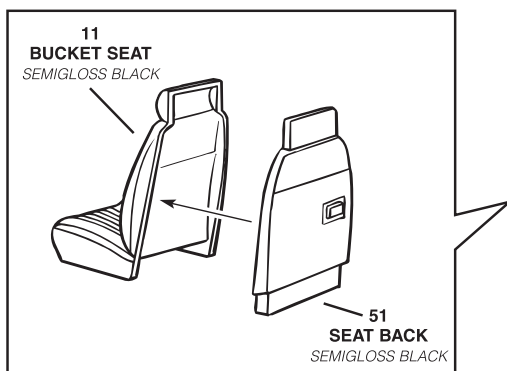
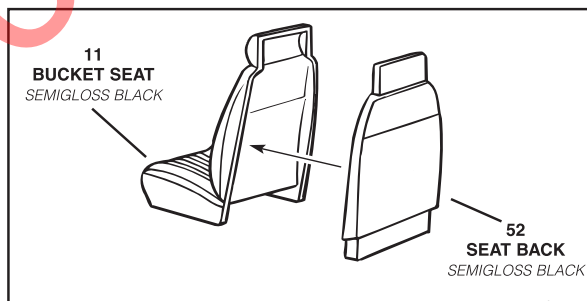
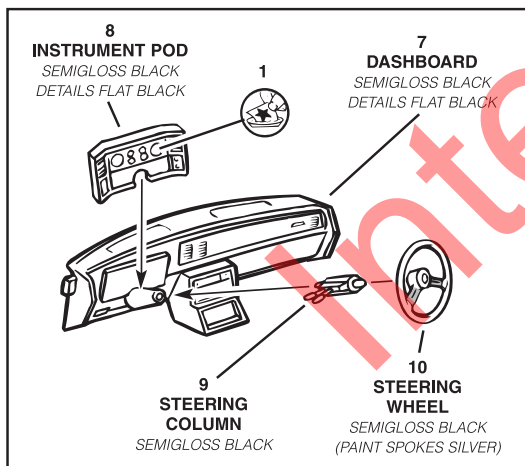
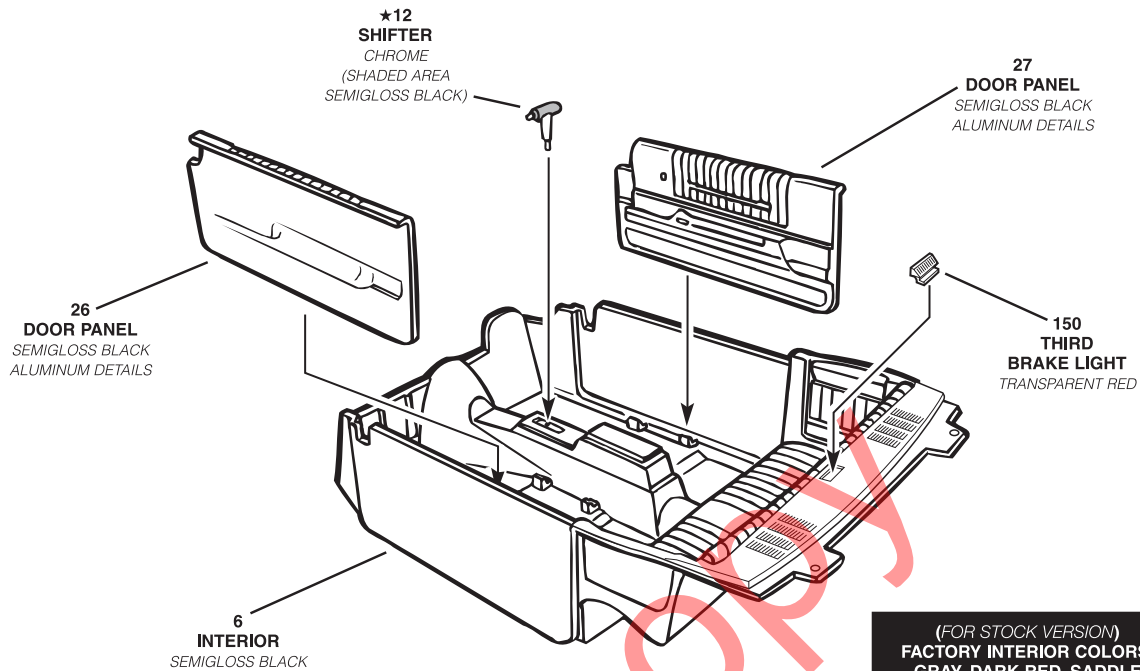


WHEELS OMITTED
FOR CLARITY



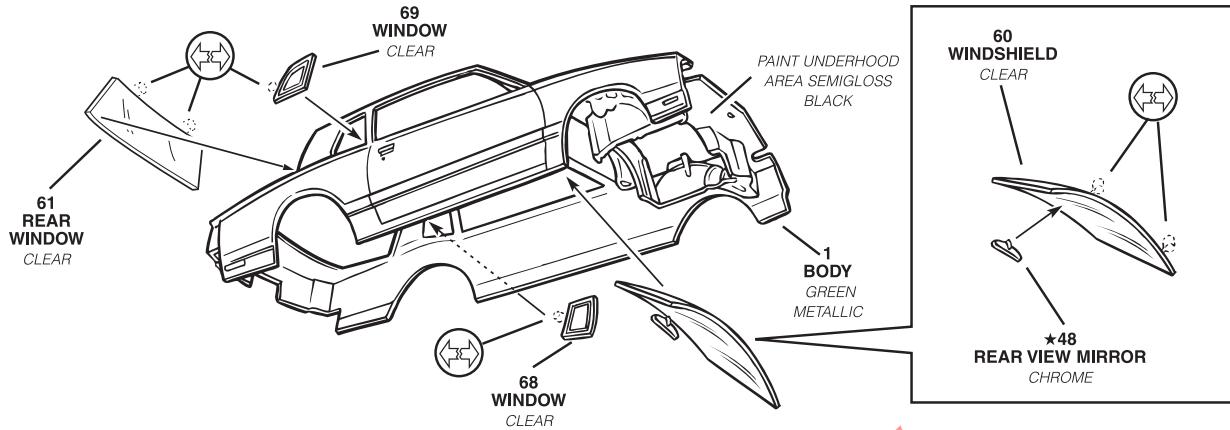
5

INTERIOR ASSEMBLY



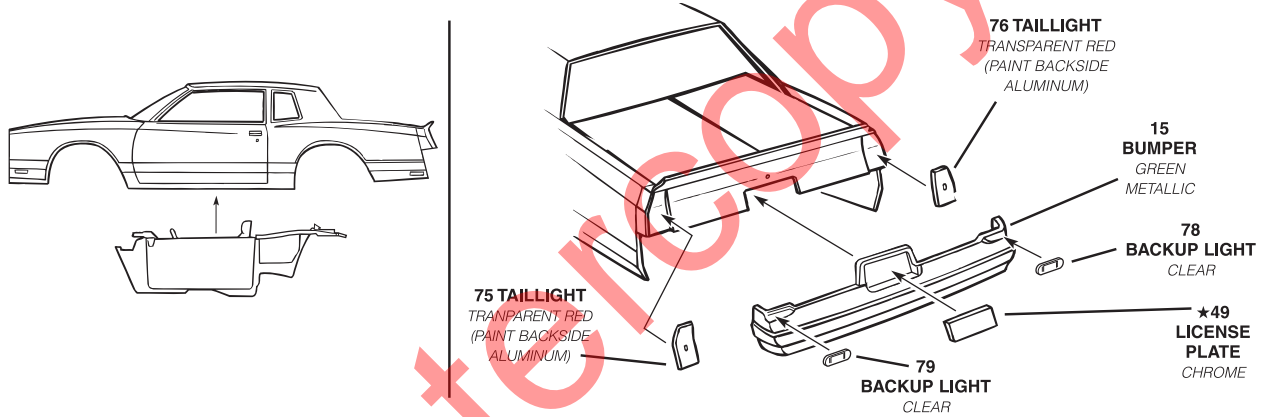
6

WINDOW ASSEMBLY



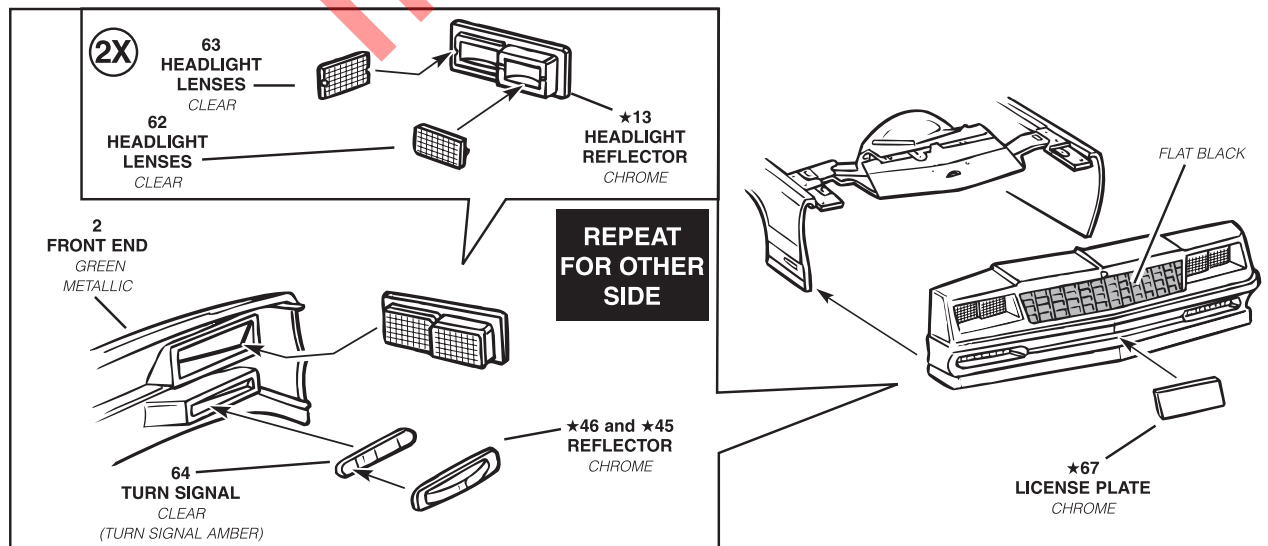
7

INTERIOR / REAR ASSEMBLY



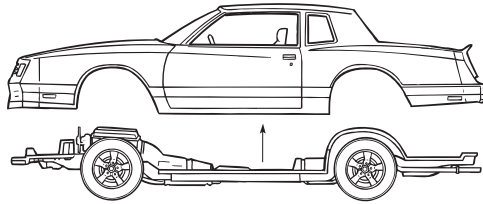
8

FRONT ASSEMBLY



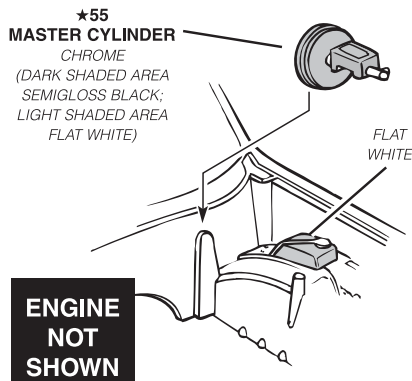
9

BODY TO CHASSIS ASSEMBLY

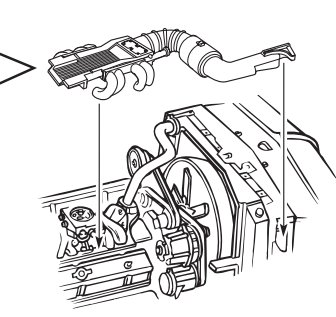
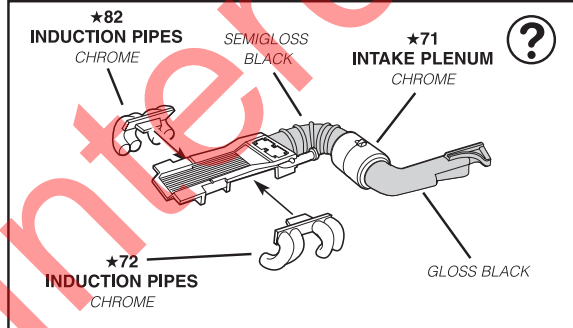
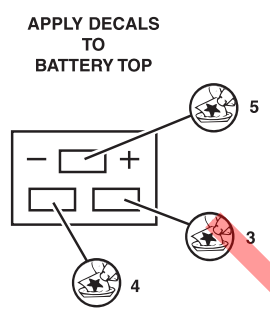
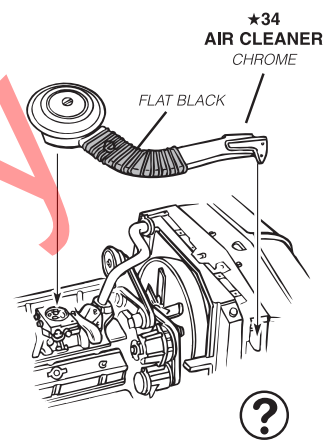
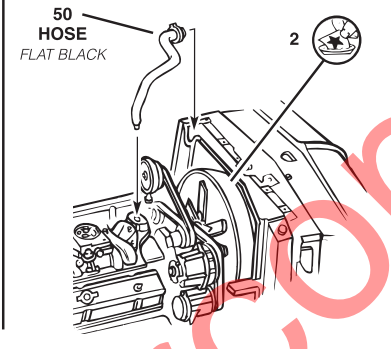


10

UNDER HOOD ASSEMBLY

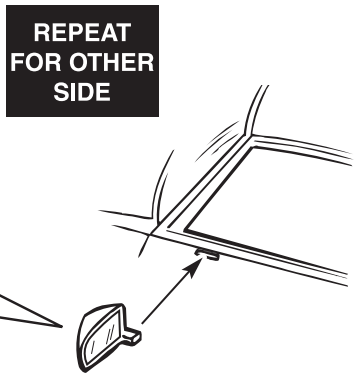
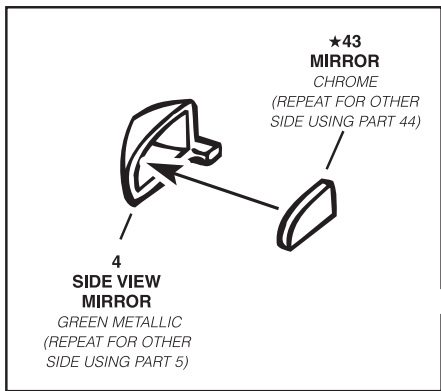
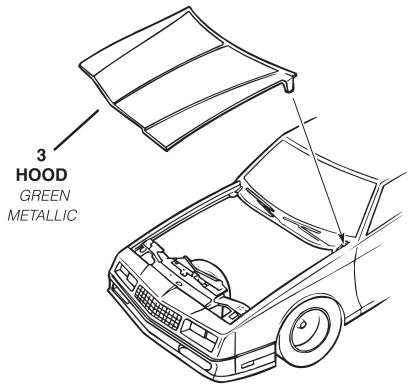


ENGINE NOT SHOWN

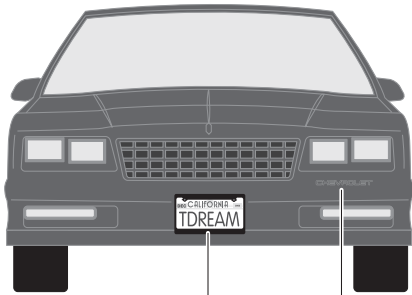


11

FINAL ASSEMBLY

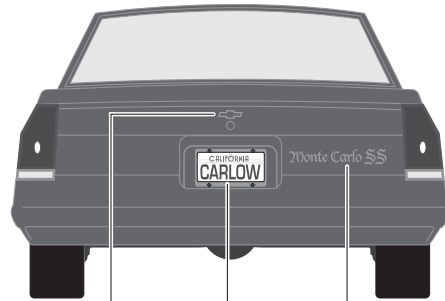


DECAL PLACEMENT



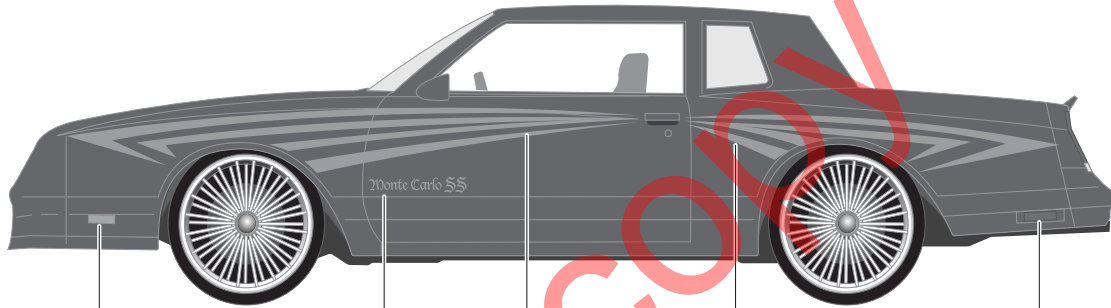
6,7 or 21 (?)

9



10 6,7 or 21 (?)

8



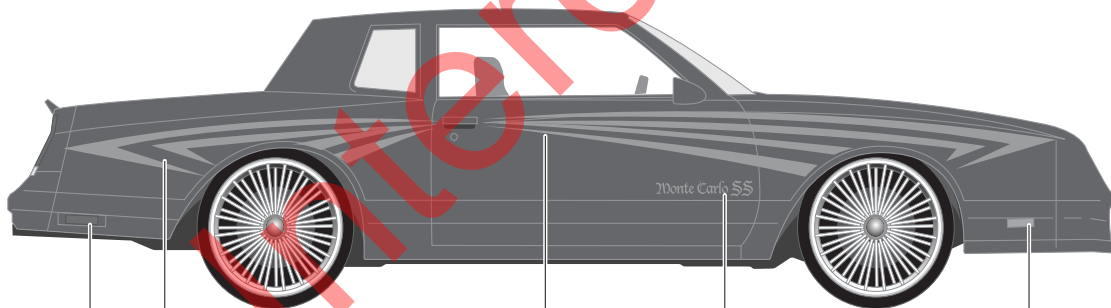
19

8

16

17

20



12

20

15

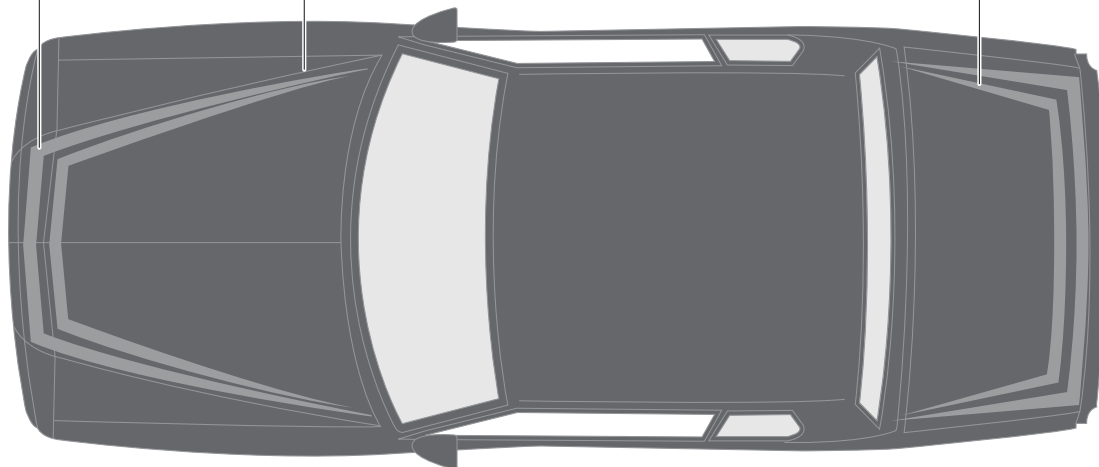
13

14

8

18

19



12

13

14

18

19