



KIT2826

85282600200

'69 Camaro® Yenko/SC

427 Coupe

Catching both the automotive industry and the American motor-ing public by surprise, Ford released the new Mustang in April, 1964 to unprecedented success. Its smaller, two door profile along with its long hood/short rear deck design made a lasting impression on everyone who saw it.

Stunned by the sales numbers the Mustang was racking up, it took until 1967 for General Motors to bring its competitors to market. Chevrolet® unveiled the new '67 Camaro® in the fall of 1966. Among the available options was the "SS"™ package that included the new 350 cubic inch engine. In a classic example of corporate competi-tion, Ford offered its 390 engine in the Mustang for '67 which of course spurred Chevy® to release its 396 big block V8 as a mid-year Camaro option.

The 396 Camaros burned up the drag strips across the coun-try, but fans also knew that Chevy had an even larger 427 cubic inch V8 in its arsenal. When initial requests for the factory to install the 427 into the Camaro were turned down, enterprising Chevrolet dealers started ordering the engines by themselves and swapped the big motors in. Don Yenko was one such dealer. Owning a large

Chevy dealership in Pennsylvania, Yenko used his connections within the GM management to convince Chevy in 1969 to write what was known as a "COPO" order, which stood for Corporate Office Production Order. These were used for special combinations of options that were not generally available.

Don Yenko grabbed up 201 of the special 427 powered '69 Camaros for his dealership. All of the Yenko cars came equipped with the 450 horsepower version of the iron block 427, high-rise intake with Holley 4 barrel carb, power disc brakes, the ZL2 cowl induction hood, positraction rear end with 4.10 gear and the custom-er's choice of a 4 speed manual transmission or GM's M40 Turbo-Hydrumatic automatic transmission which in this case came with Hurst's dual-gate linkage. Yenko's staff added the horizontal body stripes and headrest graphics after the cars arrived at his dealership. Today, original Yenkos are among the most sought after Camaros ever built



* REPEAT SEVERAL TIMES
* A REPETER PLUSIEURS FOIS



* OPTIONAL PARTS
* PIECES EN OPTION



* DECAL
* DECAL COMANIE



* ALTERNATIVE ASSEMBLY
* ENSEMBLAGE ALTERNATIVE



* CEMENT TOGETHER
* A COLLER



* REMOVE AND THROW AWAY
* A RETIRER ET JETER



* DO NOT CEMENT
* NE PAS COLLER

READ THIS BEFORE YOU BEGIN

- * Study the assembly drawings.
- * Each plastic part is identified by a number.
- * In the assembly drawings, some parts will be marked by a star (★) to indicate chrome plated plastic.
- * For better paint and decal adhesion, wash the plastic parts in a mild detergent solution. Rinse and let air dry.
- * Check the fit of each piece before cementing in place.
- * Use only cement for polystyrene plastic.
- * Scrape plating and paint from areas to be cemented.
- * Allow paint to dry thoroughly before handling parts.
- * Any unused parts may be discarded.

DECAL APPLICATION INSTRUCTIONS

1. Cut desired decal from sheet.
2. Dip decal in water for a few seconds.
3. Place wet decal on paper towel.
4. Wait until decal is movable on paper backing.
5. Place decal in position on model, face up and slide backing away.
6. Press out air bubbles with a soft damp cloth.
7. Milkyness that may appear is for better decal adhesion and will dry clear. Wipe away any excess adhesive.
8. Do not touch decal until fully dry.
9. Allow the decals 48 hours to dry before applying clear coat.

NOTE: Decals are compatible with setting solutions or solvents.

LIRE CE QUI SUIT AVANT DE COMMENCER

- * Etudier les schémas de montage.
- * Chaque pièce en plastique est identifiée par un numéro.
- * Sur les schémas de montage, certaines pièces sont marquées d'une étoile (★) pour indiquer qu'elles sont en plastique chromé.
- * Pour une meilleure prise de la peinture et des autocollants, laver les pièces en plastique avec une solution détergente peu concentrée. Les rincer et les laisser sécher à l'air.
- * Vérifier que chaque pièce s'ajuste bien avant de la coller en place.
- * N'utiliser que de la colle pour polystyrène.
- * Gratter les parties à coller pour enlever le chrome et la peinture.
- * Laisser la peinture bien sécher avant de manipuler les pièces.
- * Toute pièce inutilisée peut être jetée.

DIRECTIVES D'APPLICATION DES AUTOCOLLANTS

1. Découper l'autocollant désiré de la feuille.
2. Tremper l'autocollant dans de l'eau pendant quelques secondes.
3. Placer l'autocollant mouillé sur une serviette en papier.
4. Attendez que l'autocollant puisse être déplacé sur son support en papier.
5. Mettre l'autocollant en position sur le modèle face sur le dessus et faire glisser le support pour l'enlever.
6. Appuyer avec un chiffon doux humide pour éliminer les bulles d'air.
7. La substance laiteuse qui peut apparaître est destinée à améliorer l'adhésion de l'autocollant et devient incolore au séchage. Essuyer pour enlever tout excédent d'adhésif.
8. Ne pas toucher l'autocollant tant qu'il n'est pas bien sec.
9. Laisser l'autocollant sécher pendant 48 heures avant d'appliquer une couche transparente.

REMARQUE: Les autocollants sont compatibles avec les solutions de fixation ou les solvants.

This optional paint guide is provided if you choose to detail paint your model.

Ce guide de peinture vous sera fourni si vous choisissez de peindre votre modèle en détail.

Aluminium	Aluminum
Gloss Black	Noir brillant
Gloss Red	Rouge brillant
Gloss Yellow	Jaune brillant
Semigloss Black	Noir satiné
Silver	Argent
Steel	Acier
Turn Signal Amber	Clignotant ambre
White	Blanc

If you have any questions or comments, call our hotline at: **(800) 833-3570** or, please write to:

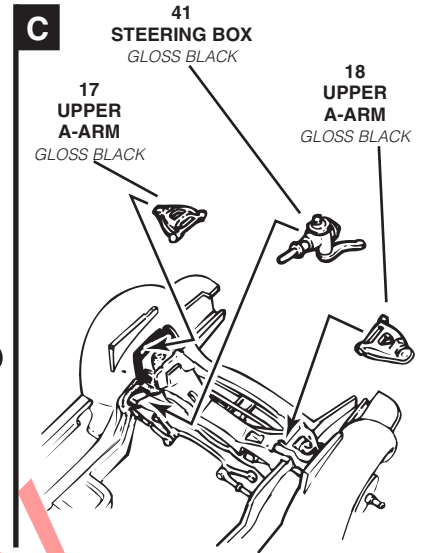
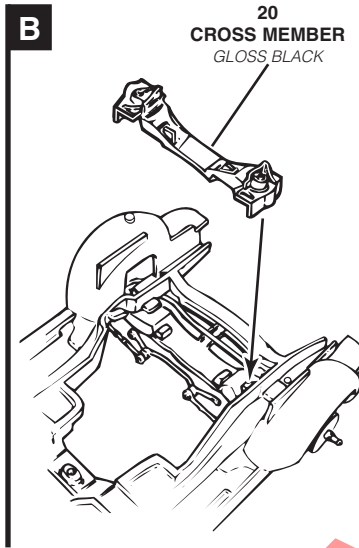
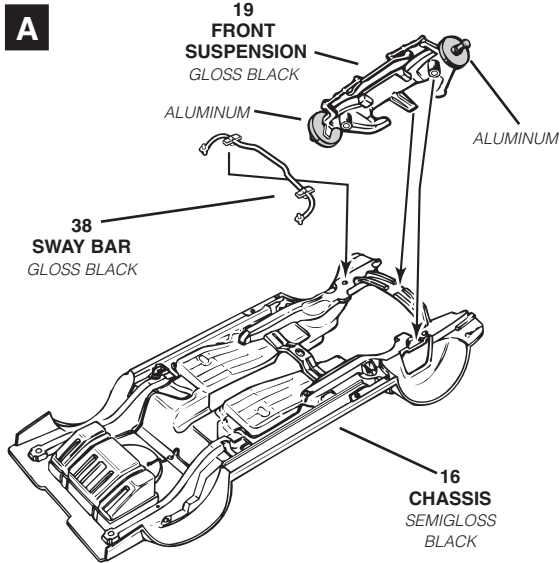
Revell-Monogram Consumer Service Department, 725 Landwehr Road, Northbrook, Illinois 60062

Be sure to include the plan number (85282600200), part number, description, your return address and phone number.

Visit our website: www.revell-monogram.com

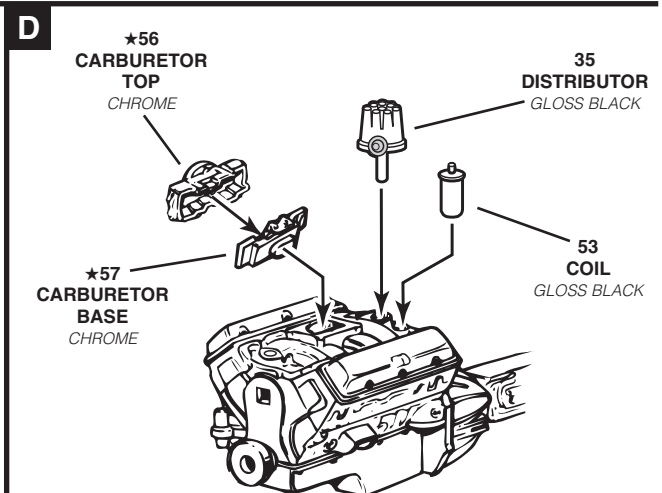
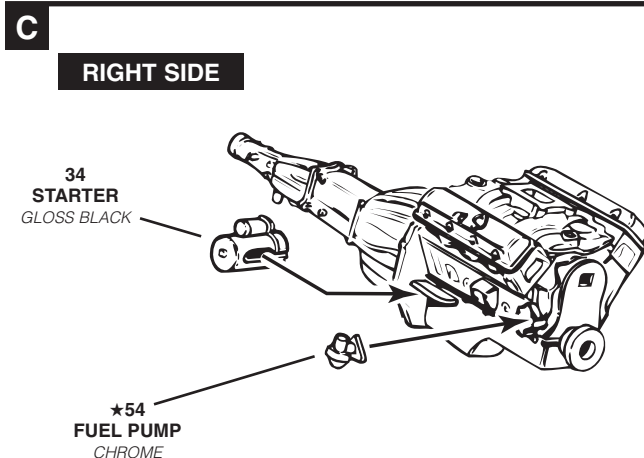
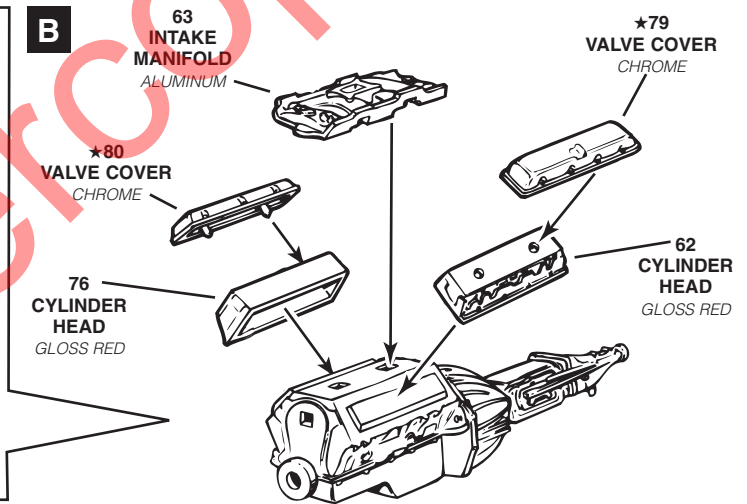
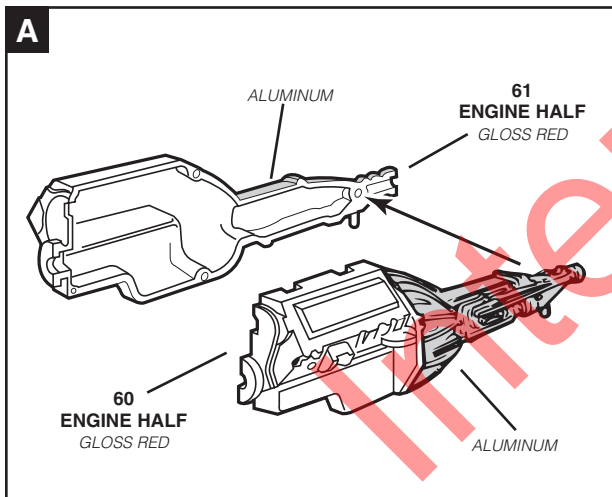
1

FRONT SUSPENSION ASSEMBLY



2

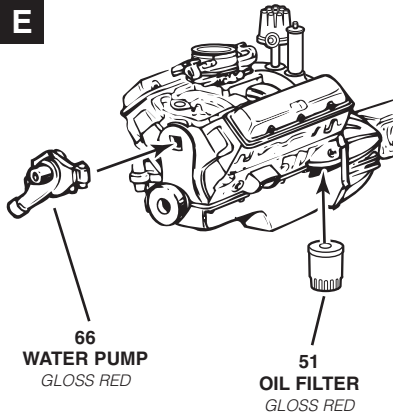
ENGINE ASSEMBLY



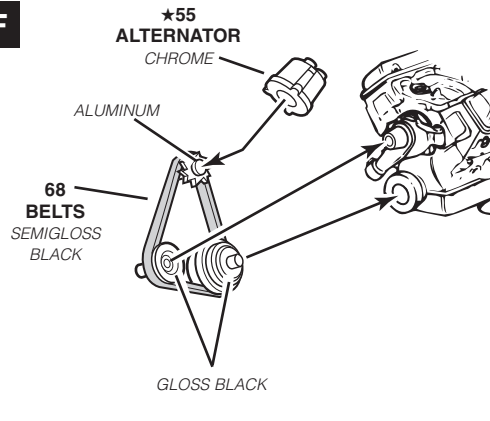
2

ENGINE ASSEMBLY CONTINUED

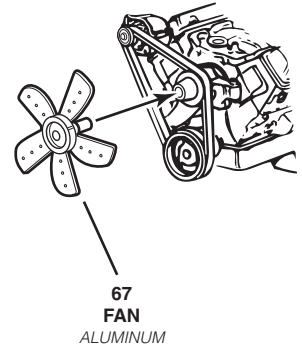
E



F



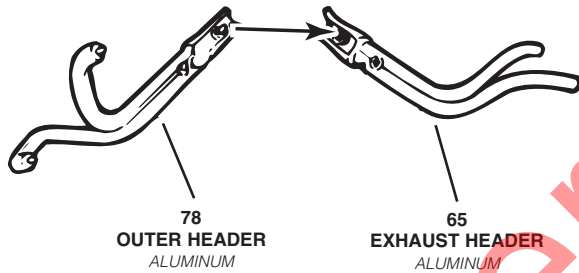
G



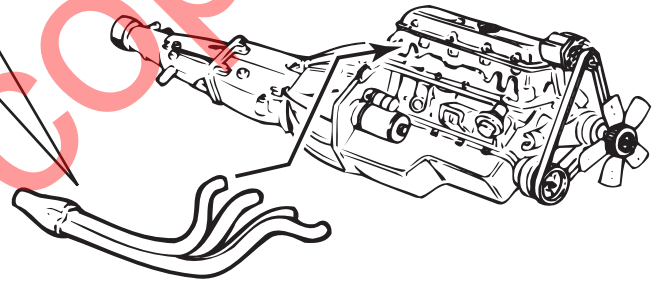
3

EXHAUST ASSEMBLY

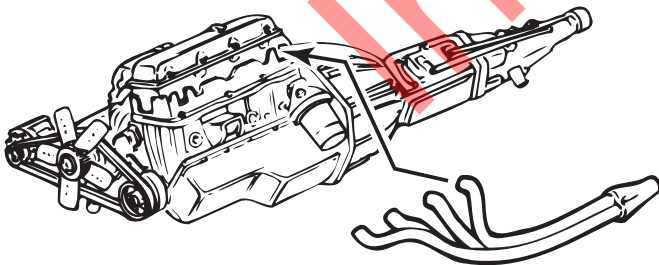
RIGHT



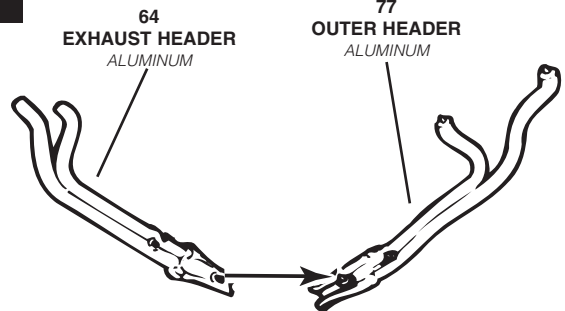
A



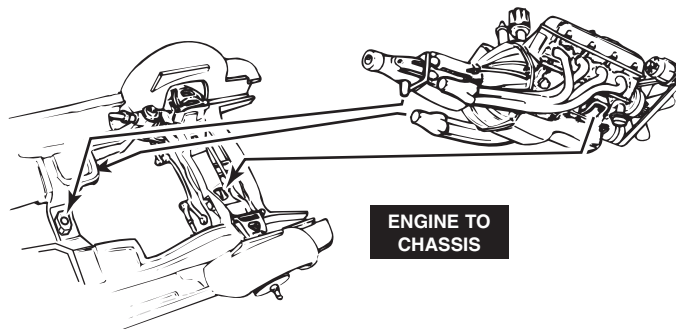
B



LEFT

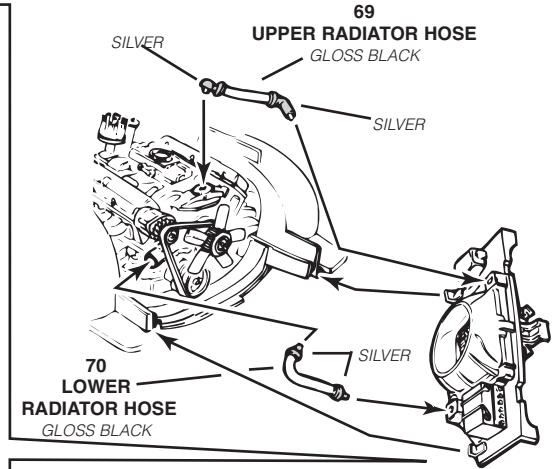
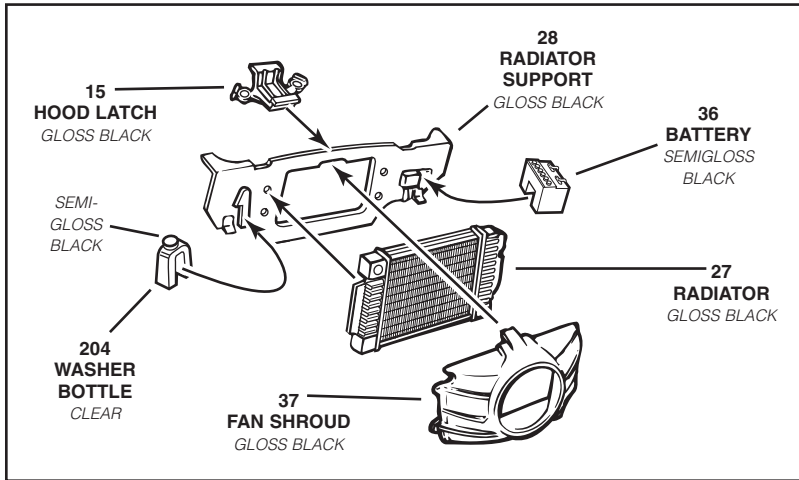


C



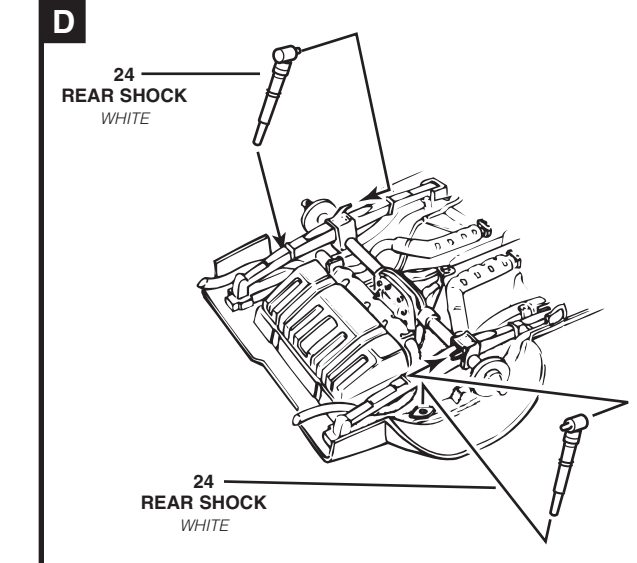
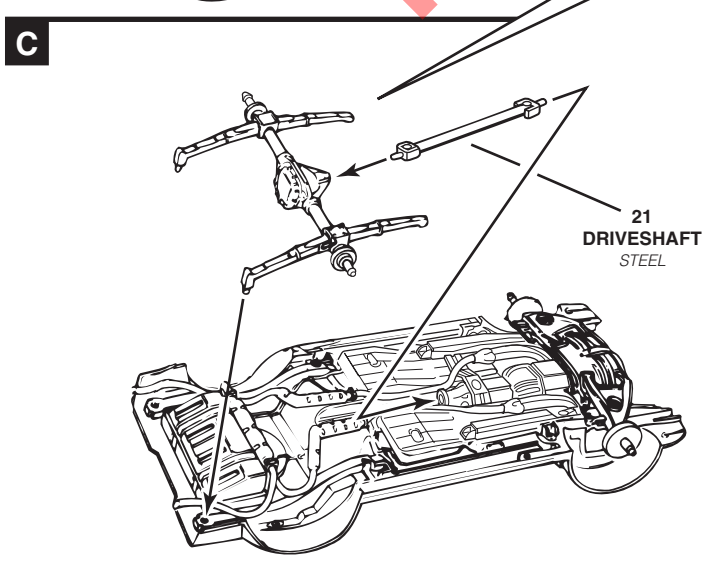
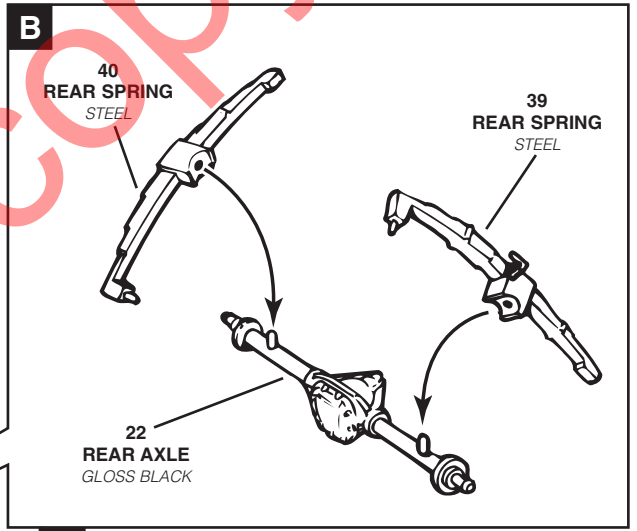
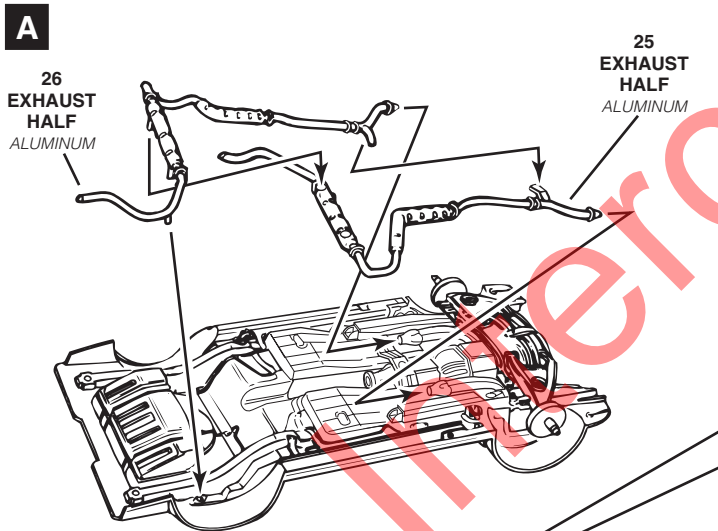
4

RADIATOR ASSEMBLY



5

EXHAUST AND REAR SUSPENSION ASSEMBLY



6

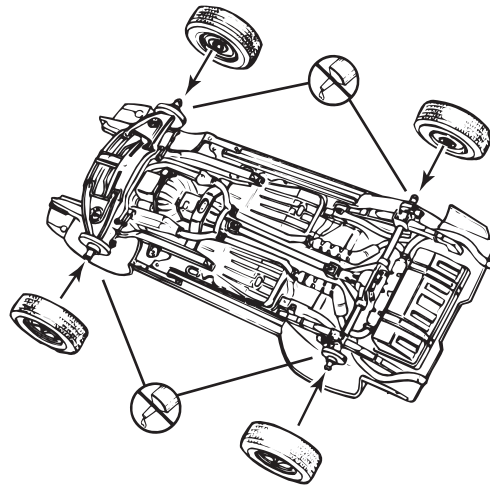
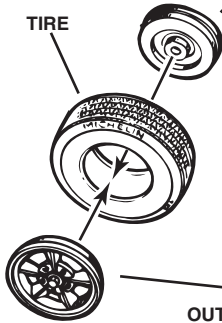
WHEEL ASSEMBLY

FRONT

2X

71
INNER
FRONT WHEEL
STEEL

TIRE

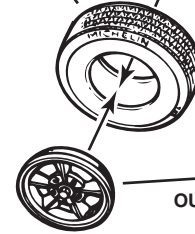


REAR

2X

72
INNER
REAR WHEEL
STEEL

TIRE



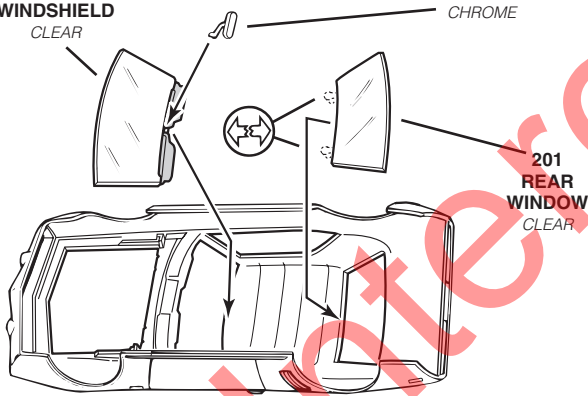
7

WINDOW AND TAIL LIGHT ASSEMBLY

A

200
WINDSHIELD
CLEAR

★43
REARVIEW MIRROR
CHROME



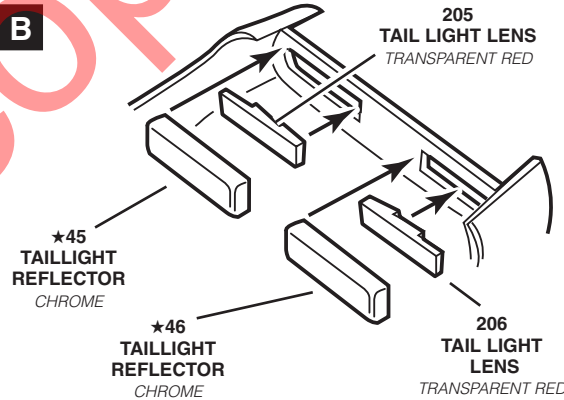
B

205
TAIL LIGHT LENS
TRANSPARENT RED

★45
TAILLIGHT
REFLECTOR
CHROME

★46
TAILLIGHT
REFLECTOR
CHROME

206
TAIL LIGHT
LENS
TRANSPARENT RED



8

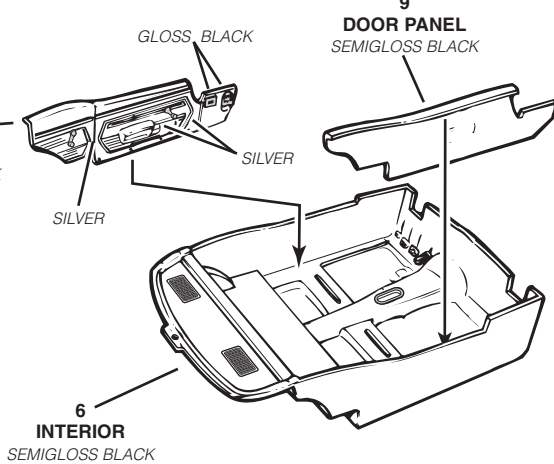
INTERIOR ASSEMBLY

A

GLOSS BLACK

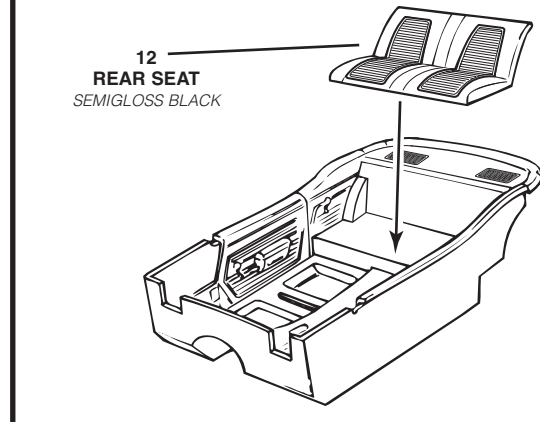
9
DOOR PANEL
SEMIGLOSS BLACK

8
DOOR PANEL
SEMIGLOSS BLACK



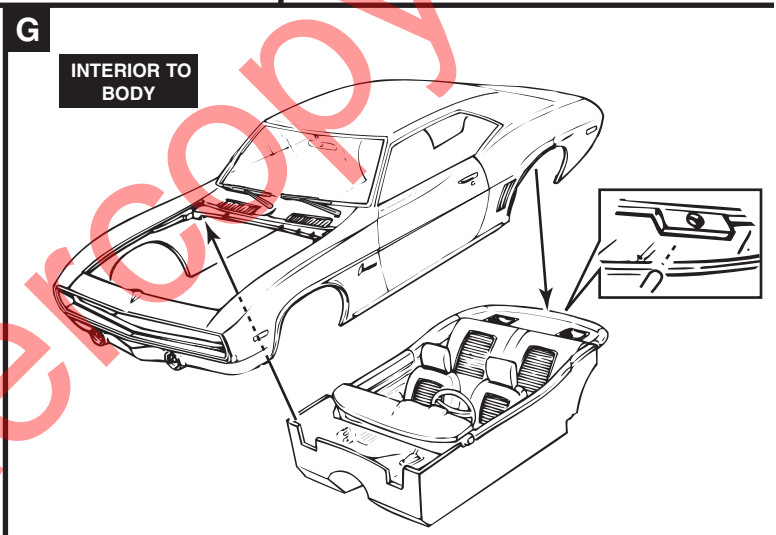
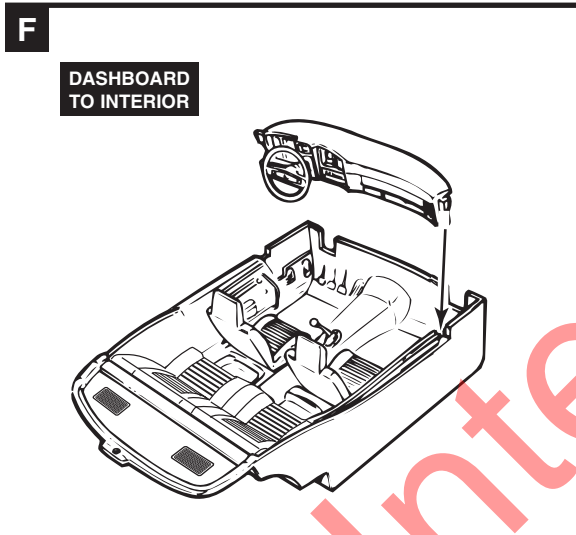
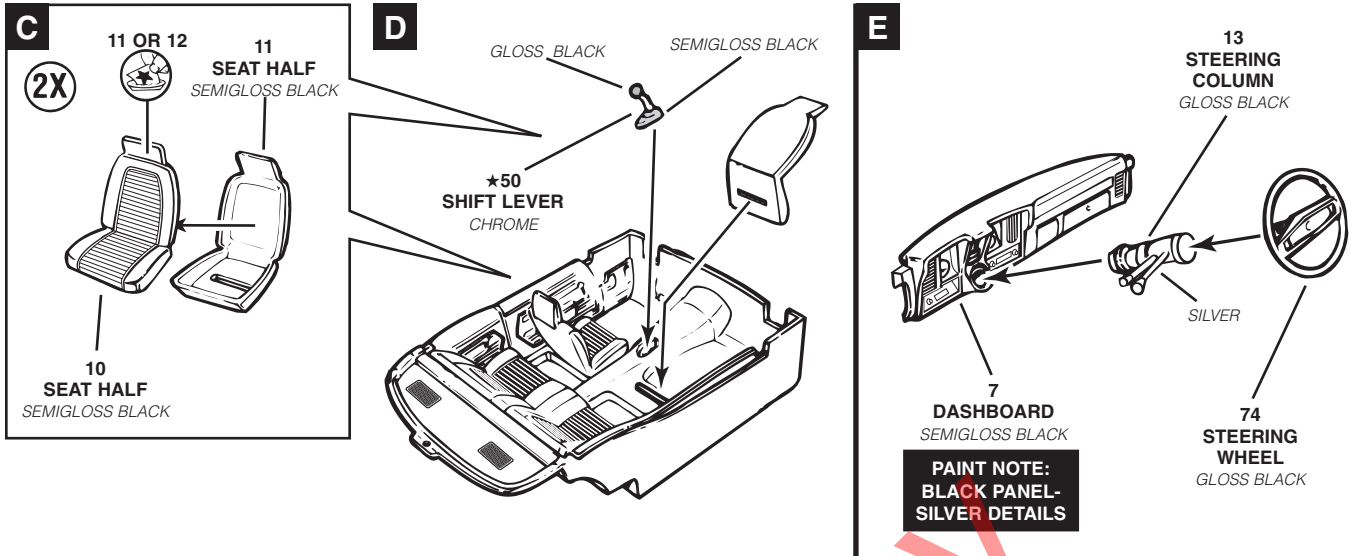
B

12
REAR SEAT
SEMIGLOSS BLACK



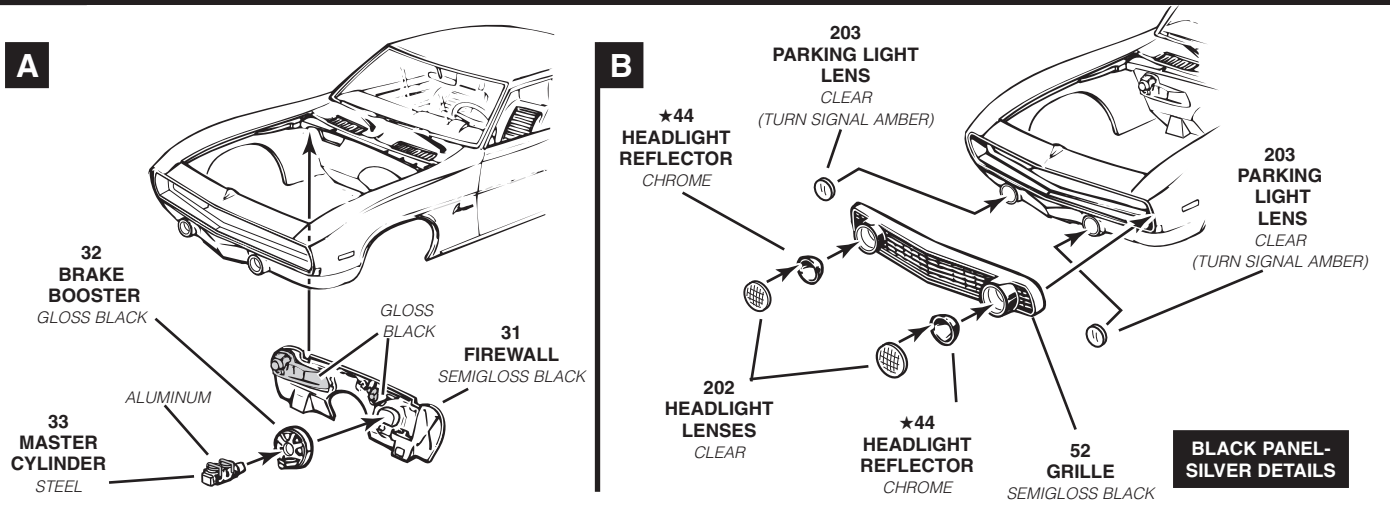
8

INTERIOR ASSEMBLY CONTINUED



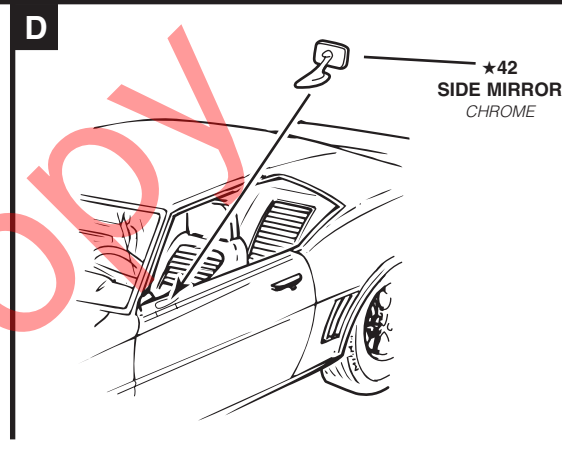
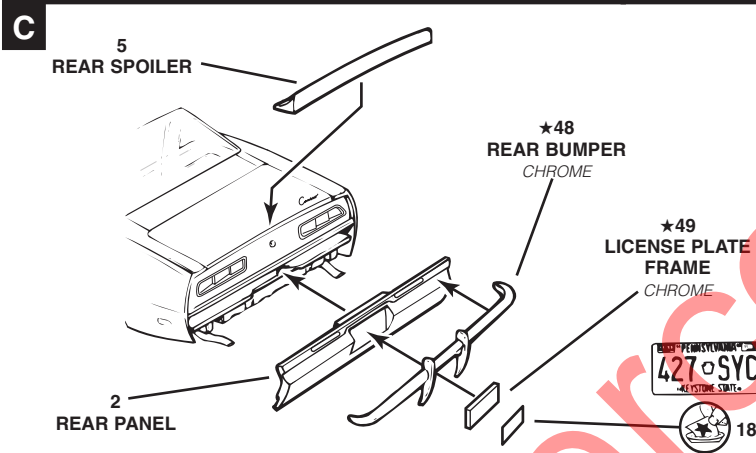
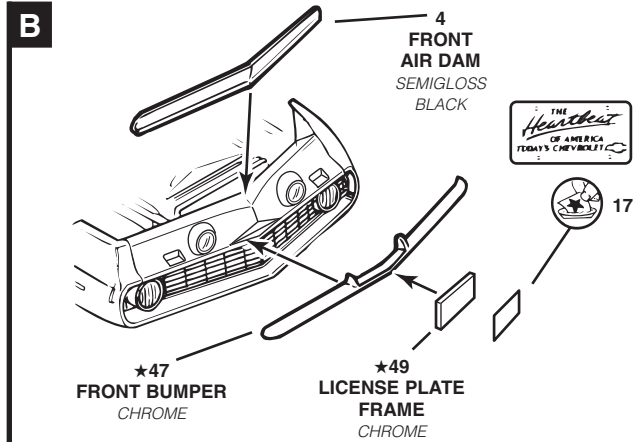
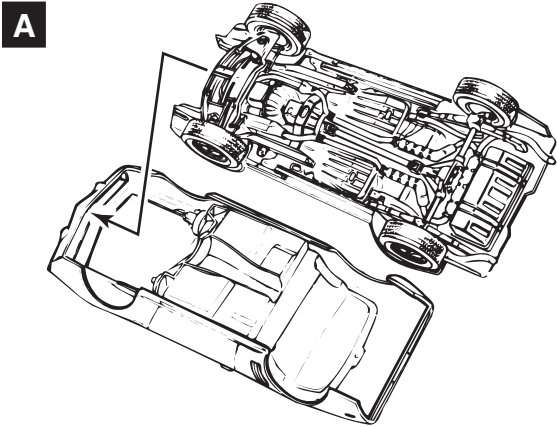
9

FIREWALL AND GRILLE ASSEMBLY



10

DETAIL ASSEMBLY



11

FINAL ASSEMBLY

