



KIT 2574

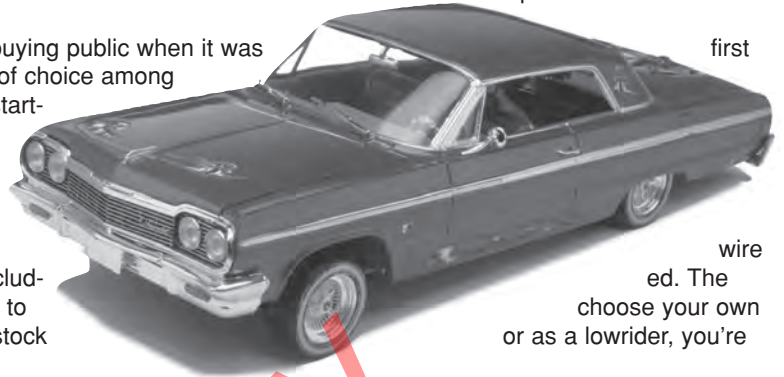
85257400200

'64 Chevy™ Impala® Lowrider 2' N 1

The Impala was Chevrolet's flagship full-size car for 1964, and it fulfilled the role well. The Impala line was an outstanding seller for Chevrolet in the early sixties- in 1964, Chevrolet made about 889,600 Impalas, 185,325 of which were SS models. The Impala's image had matured gracefully since the nameplate's introduction in 1958, and the crisp, formal styling of the '64 Impalas fit this image well. The popular Super Sport option, which included unique body trim and wheel covers, added \$161 to the \$2786 base price of a V-8 powered Impala Sport Coupe. The SS package could be had on either the hard-top coupe or convertible, with 6 cylinder or V-8 power.

The 1964 Impala was a definite success with the general car-buying public when it was introduced, but over the years it has gained cult status as the car of choice among lowrider enthusiasts. '64 Impalas are arguably the most popular "starting points" for lowrider builders, much like '32 Fords are to hot rodders and '49-51 Mercurys are to customizers.

Your Revell 2' n 1 kit is an accurate replica of this classic Chevy. All parts to build an accurate stock version are included, along with lowrider parts like trunk mounted batteries and pumps, wheels, chain link steering wheel, and hydraulic switch box are included. Suspension may be built in several different settings, enabling you to lowrider stance. Whether you choose to build your model factory stock sure to have a winner!



first

wire
ed. The
choose your own
or as a lowrider, you're



* REPEAT SEVERAL TIMES
* A REPETER PLUSIEURS FOIS



* OPTIONAL PARTS
* PIECES EN OPTION



* DECAL
* DECAL COMANIE



* ALTERNATIVE ASSEMBLY
* ENSEMBLAGE ALTERNATIVE



* CEMENT TOGETHER
* A COLLER



* REMOVE AND THROW AWAY
* A RETIRER ET JETER



* DO NOT CEMENT
* NE PAS COLLER

READ THIS BEFORE YOU BEGIN

- * Study the assembly drawings.
- * Each plastic part is identified by a number.
- * In the assembly drawings, some parts will be marked by a star (★) to indicate chrome plated plastic.
- * For better paint and decal adhesion, wash the plastic parts in a mild detergent solution. Rinse and let air dry.
- * Check the fit of each piece before cementing in place.
- * Use only cement for polystyrene plastic.
- * Scrape plating and paint from areas to be cemented.
- * Allow paint to dry thoroughly before handling parts.
- * Any unused parts may be discarded.

DECAL APPLICATION INSTRUCTIONS

1. Cut desired decal from sheet.
2. Dip decal in water for a few seconds.
3. Place wet decal on paper towel.
4. Wait until decal is movable on paper backing.
5. Place decal in position on model, face up and slide backing away.
6. Press out air bubbles with a soft damp cloth.
7. Milkiness that may appear is for better decal adhesion and will dry clear. Wipe away any excess adhesive.
8. Do not touch decal until fully dry.
9. Allow the decals 48 hours to dry before applying clear coat.

LIRE CE QUI SUIT AVANT DE COMMENCER

- * Etudier les schémas de montage.
- * Chaque pièce en plastique est identifiée par un numéro.
- * Sur les schémas de montage, certaines pièces sont marquées d'une étoile (★) pour indiquer qu'elles sont en plastique chromé.
- * Pour une meilleure prise de la peinture et des autocollants, laver les pièces en plastique avec une solution détergente peu concentrée. Les rincer et les laisser sécher à l'air.
- * Vérifier que chaque pièce s'ajuste bien avant de la coller en place.
- * N'utiliser que de la colle pour polystyrène.
- * Gratter les parties à coller pour enlever le chrome et la peinture.
- * Laisser la peinture bien sécher avant de manipuler les pièces.
- * Toute pièce inutilisée peut être jetée.

DIRECTIVES D'APPLICATION DES AUTOCOLLANTS

1. Découper l'autocollant désiré de la feuille.
2. Tremper l'autocollant dans de l'eau pendant quelques secondes.
3. Placer l'autocollant mouillé sur une serviette en papier.
4. Attendez que l'autocollant puisse être déplacé sur son support en papier.
5. Mettre l'autocollant en position sur le modèle face sur le dessus et faire glisser le support pour l'enlever.
6. Appuyer avec un chiffon doux humide pour éliminer les bulles d'air.
7. La substance laiteuse qui peut apparaître est destinée à améliorer l'adhésion de l'autocollant et devient incolore au séchage. Essuyer pour enlever tout excédent d'adhésif.
8. Ne pas toucher l'autocollant tant qu'il n'est pas bien sec.
9. Laisser l'autocollant sécher pendant 48 heures avant d'appliquer une couche transparente.

This paint guide is provided to complete this kit as shown on the box.

Ce guide de peinture est fourni pour reproduire le modèle réduit qui apparaît sur la boîte.

Aluminum	Aluminum
Chevrolet Engine Red	Rouge moteur Chevrolet
Candy Magenta	Magenta bonbon
Flat Black	Noir mat
Gloss Black	Noir lustré
Gloss Purple	Pourpre lustré
Gloss Yellow	Jaune lustré
Gold	Or
Light Purple	Pourpre clair
Medium Magenta	Magenta moyen
Satin Black	Noir satiné
Silver	Argent
Steel	Acier
Turn Signal Amber	Fue de virage ambre

If you have any questions or comments, call our hotline at: **(800) 833-3570**
or, please write to:

Revell-Monogram Consumer Service Department, 8601 Waukegan Road, Morton Grove, Illinois 60053
Be sure to include the plan number (85257400200), part number, description, your return address and phone number.

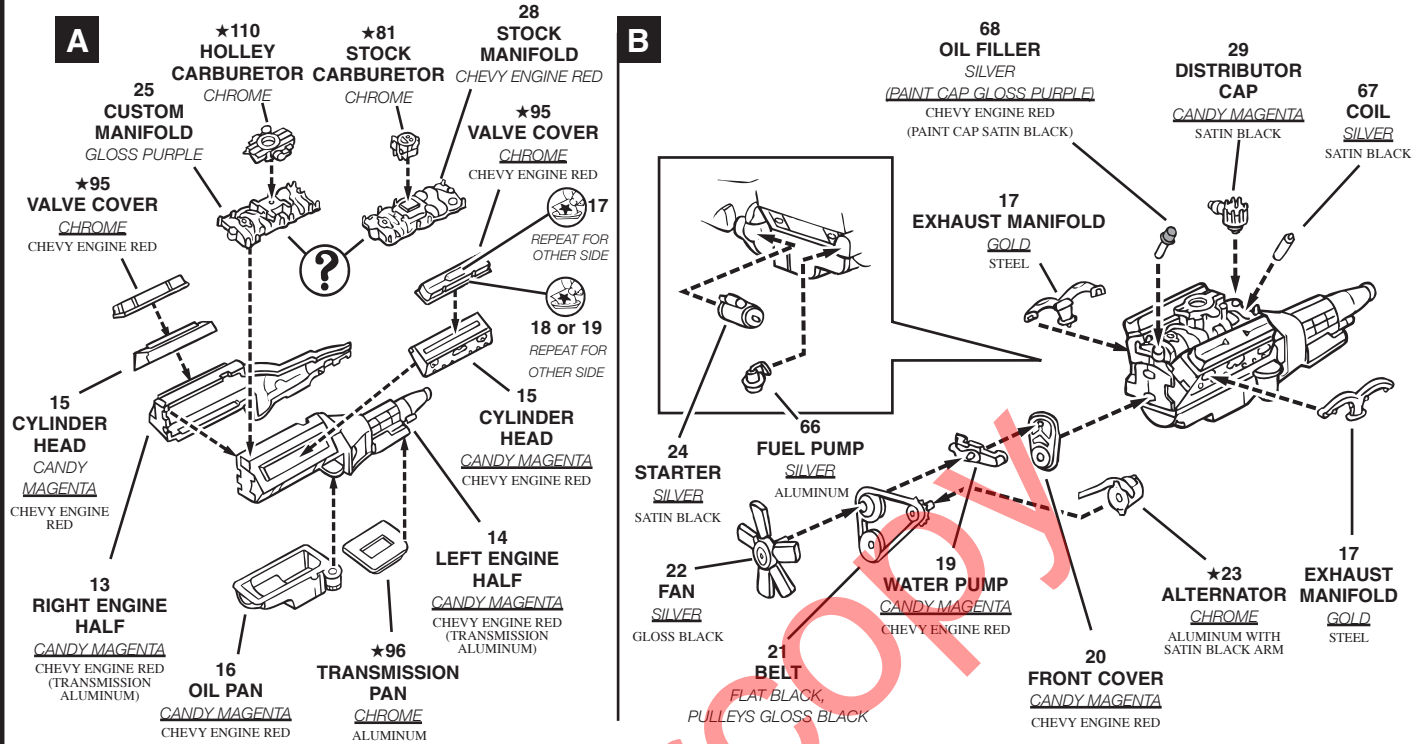
Visit our website: www.revell-monogram.com

1

ENGINE ASSEMBLY

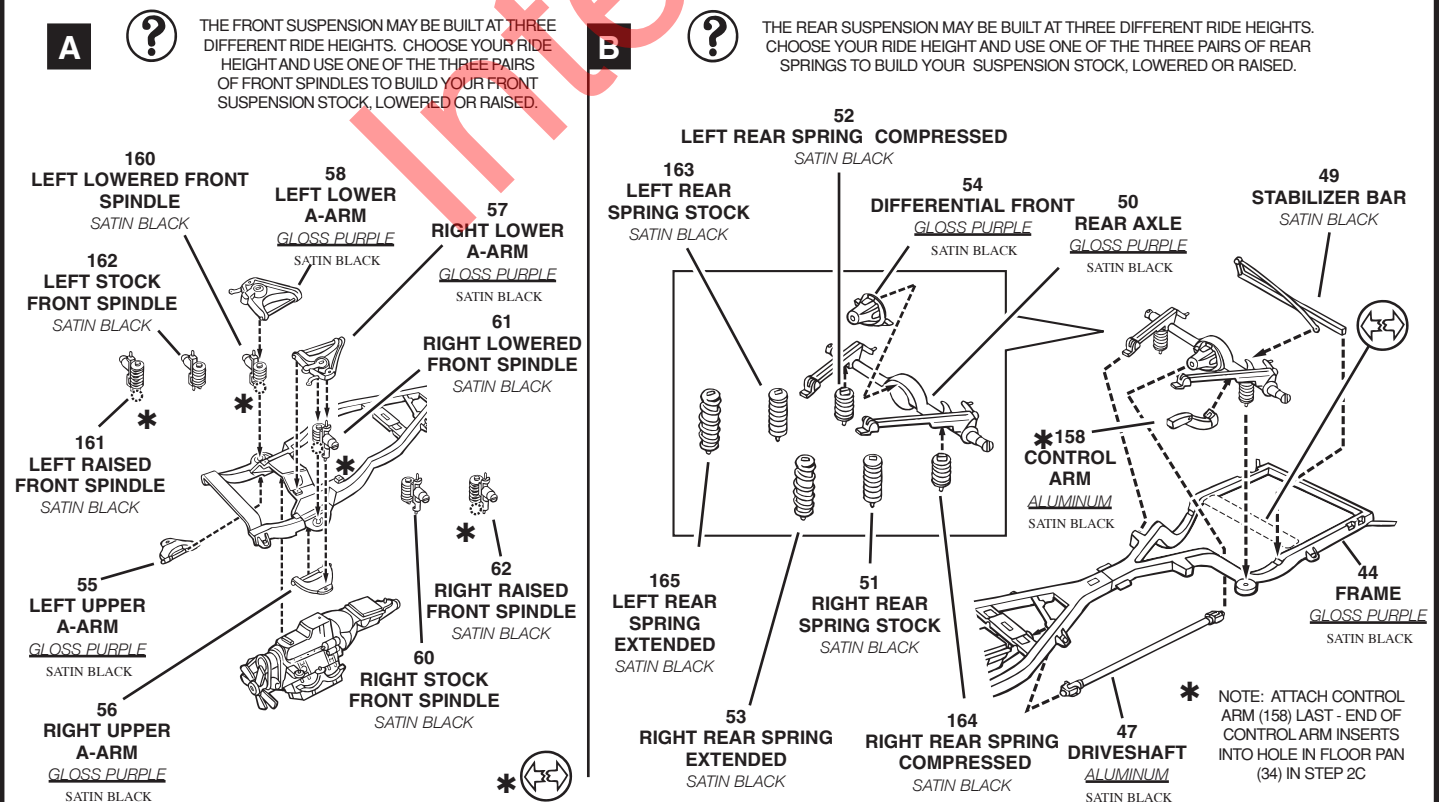
NOTE

IF YOU WOULD LIKE TO MATCH THE PAINT SCHEMES OF THE BOX ART MODELS, FOLLOW THE TOP COLOR CALLOUTS FOR THE LOWRIDER VERSION, OR FOLLOW THE BOTTOM BOLDED CALLOUTS FOR THE STOCK VERSION - IF ONLY ONE COLOR IS LISTED, IT IS USED FOR BOTH THE STOCK AND LOWRIDER VERSIONS.



2

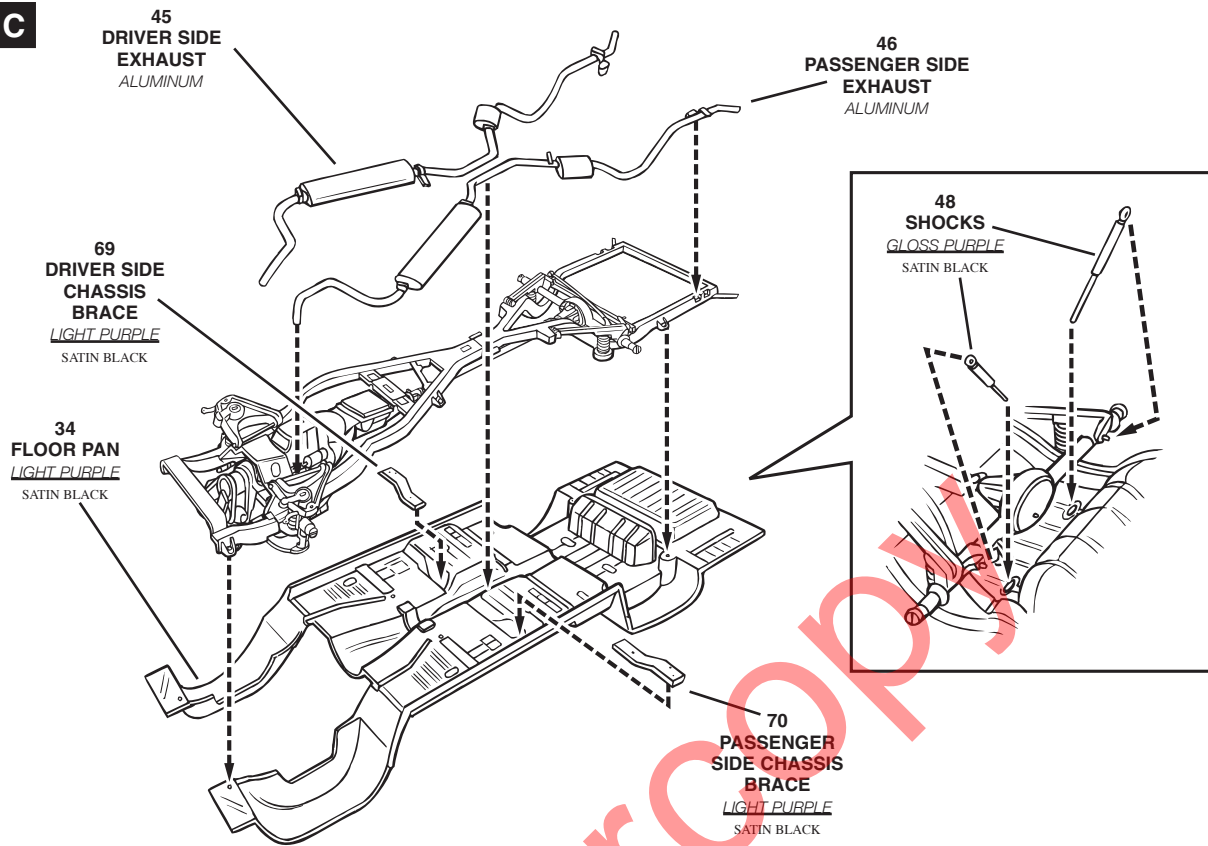
CHASSIS ASSEMBLY



2

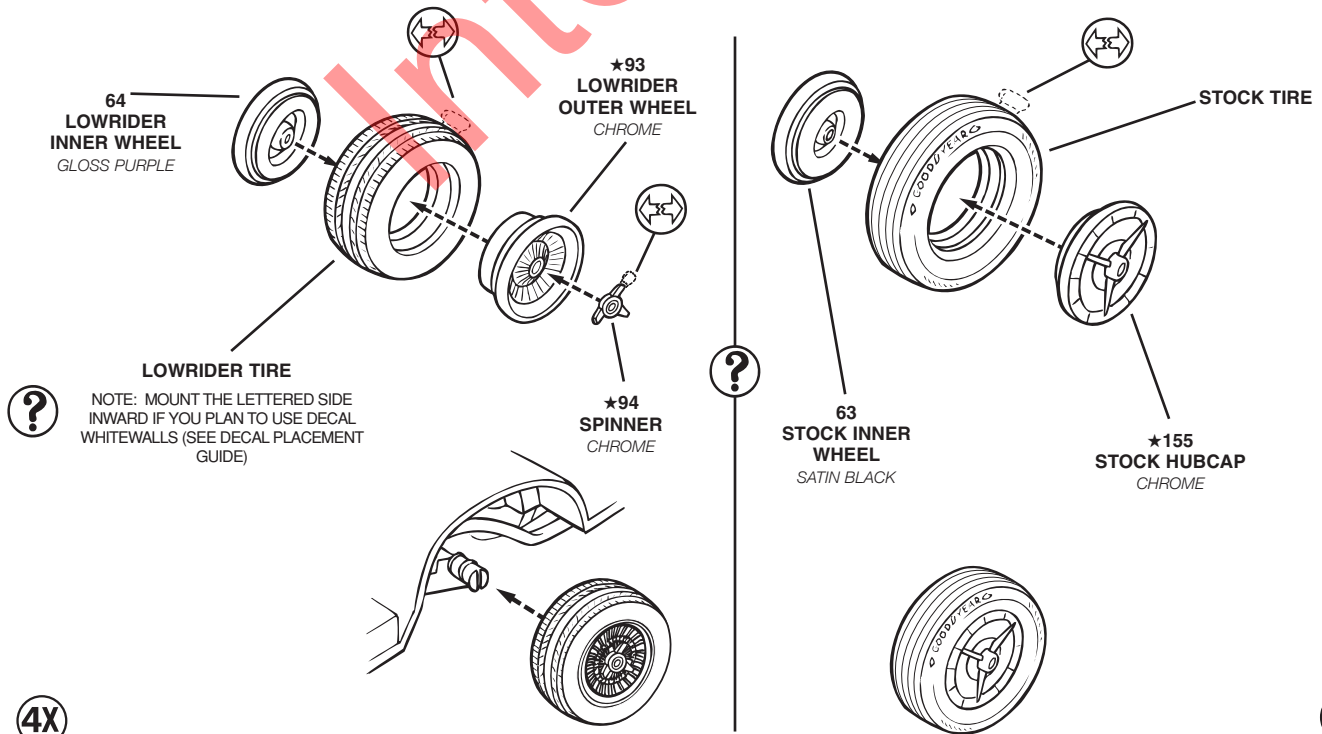
CHASSIS ASSEMBLY CONTINUED

C

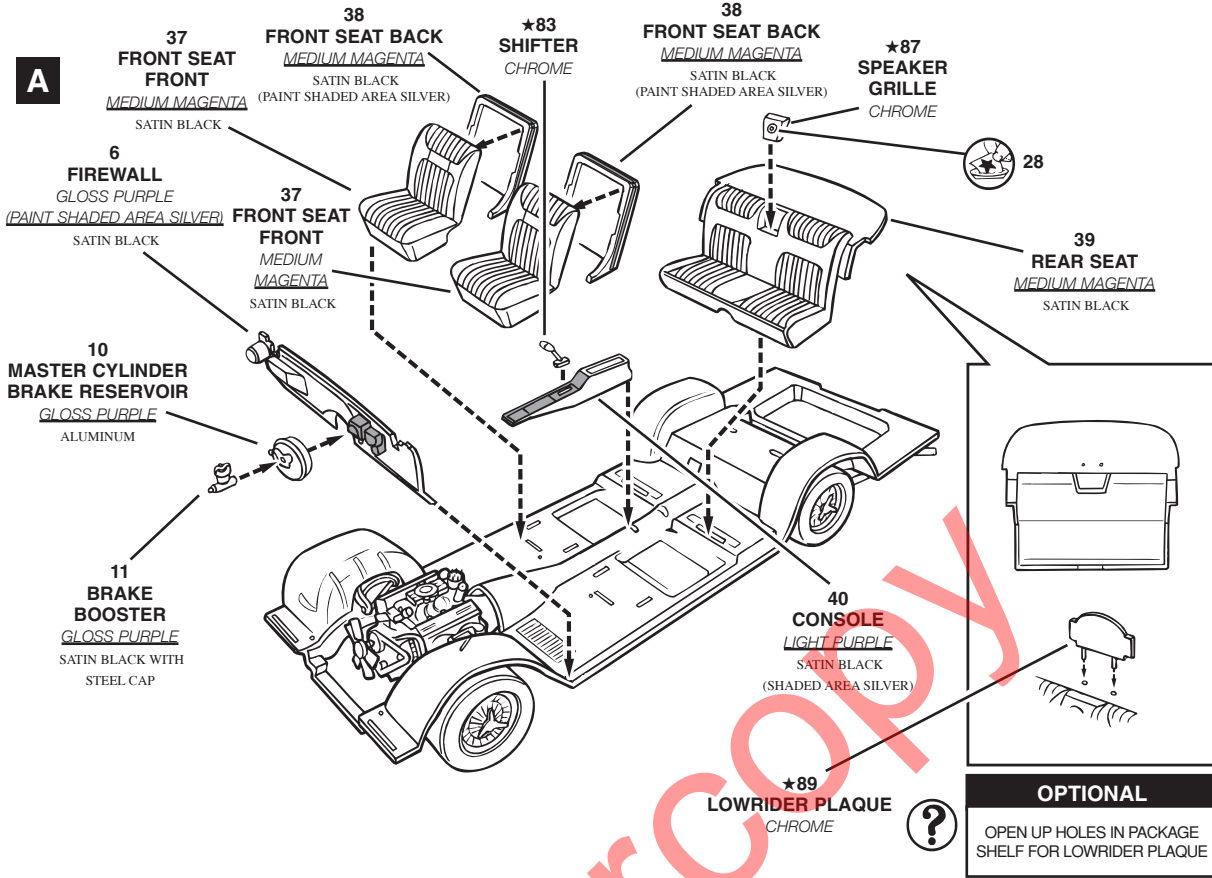


3

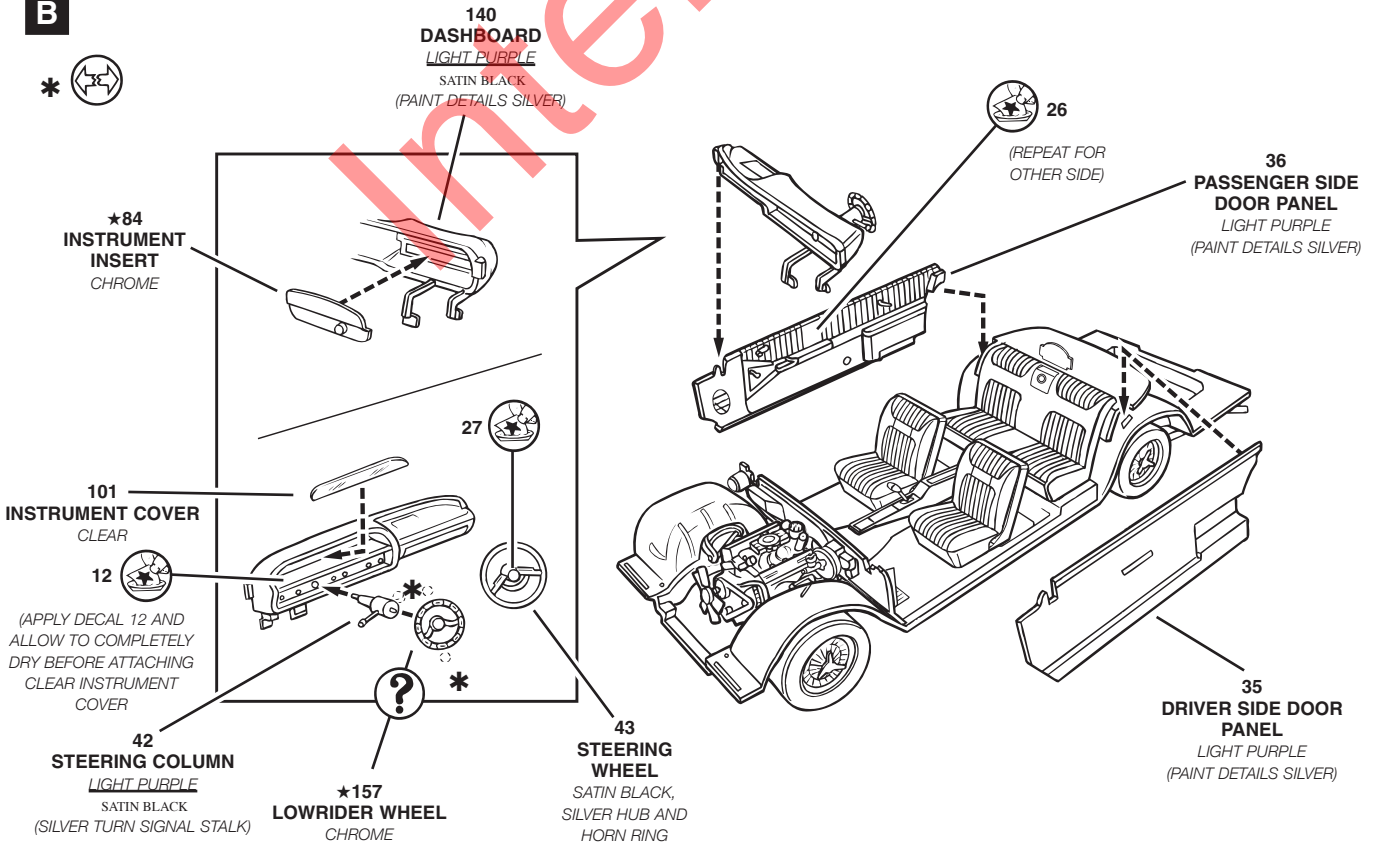
WHEEL ASSEMBLY



A

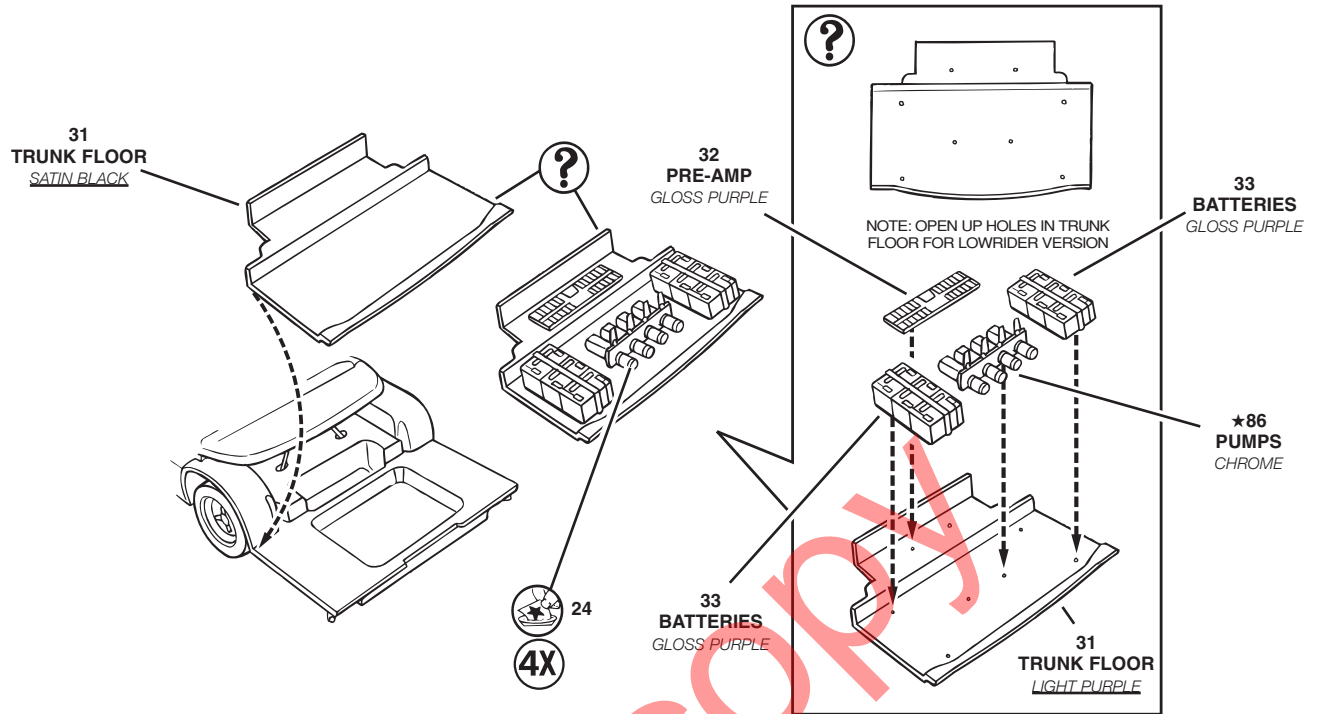


B



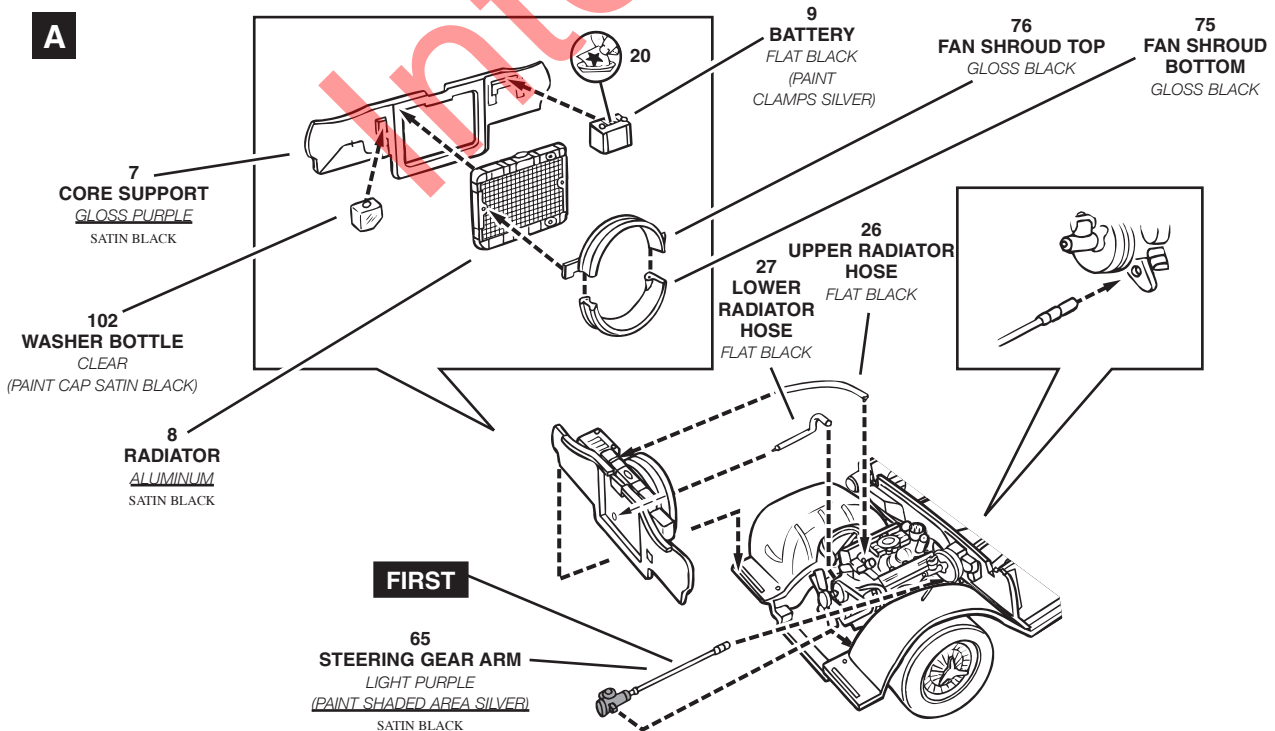
5

TRUNK ASSEMBLY



6

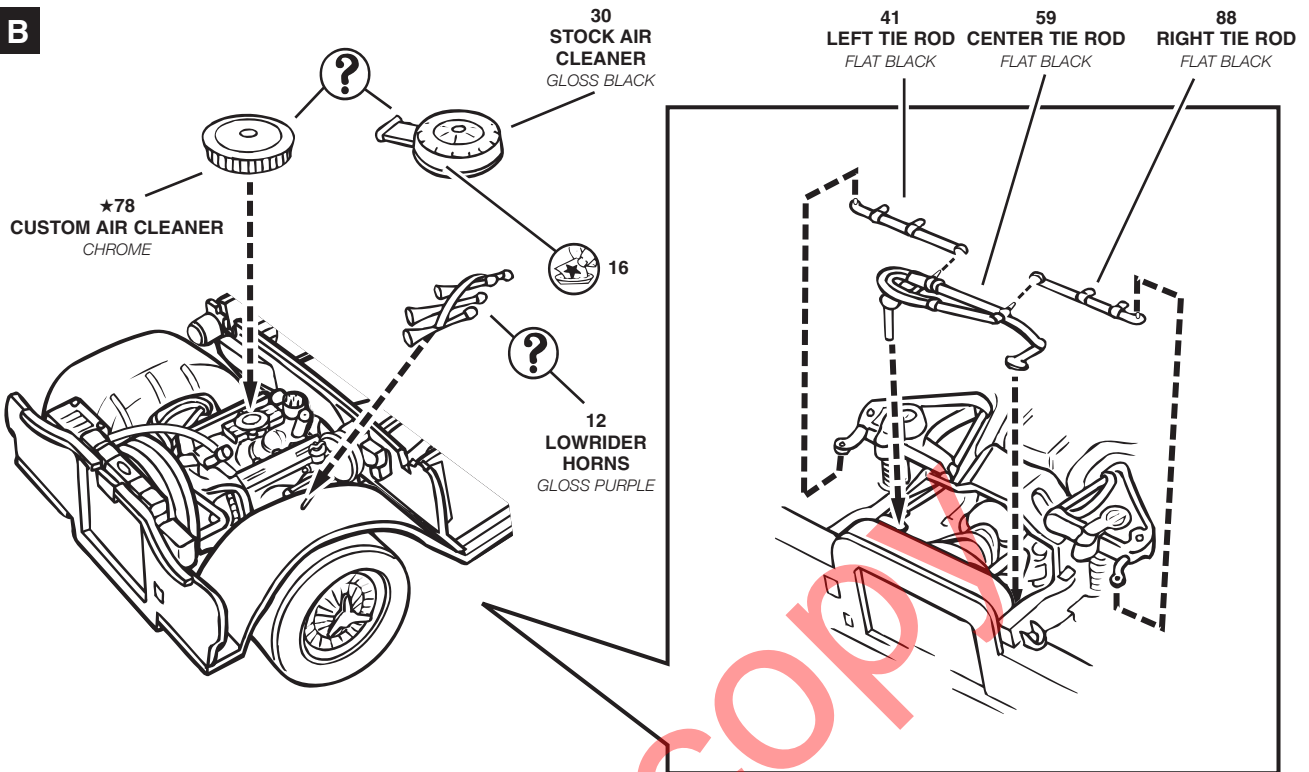
ENGINE BAY ASSEMBLY



6

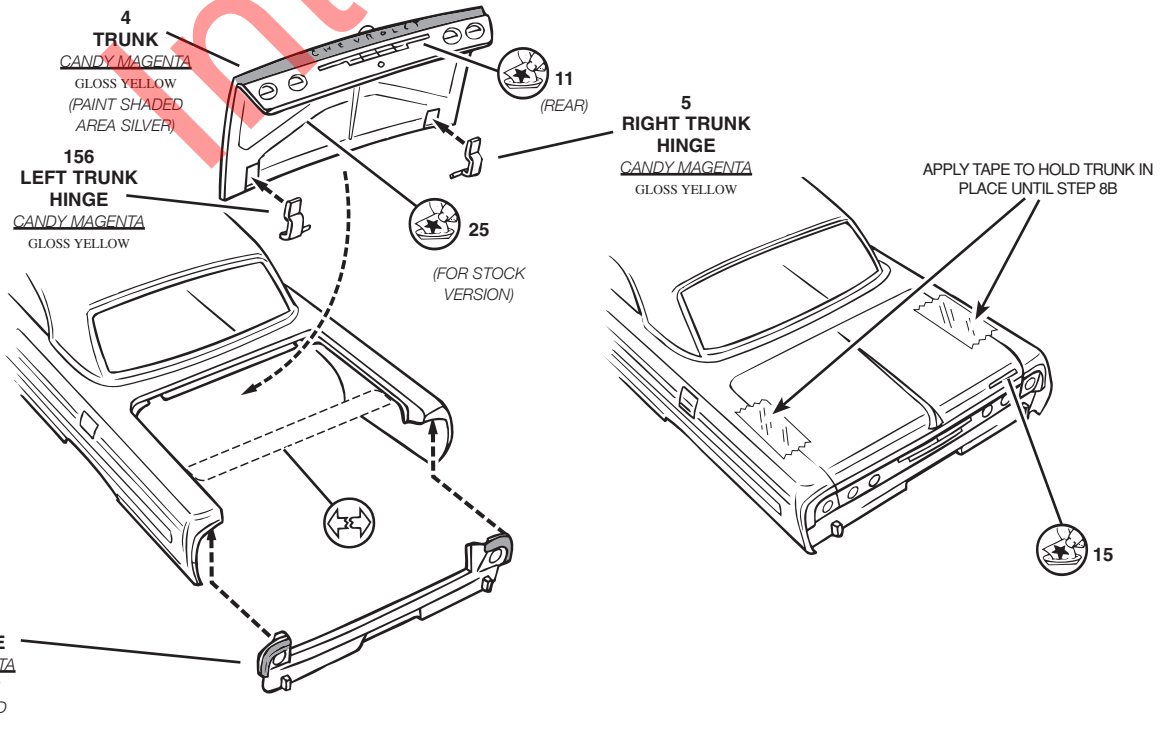
ENGINE BAY ASSEMBLY CONTINUED

B

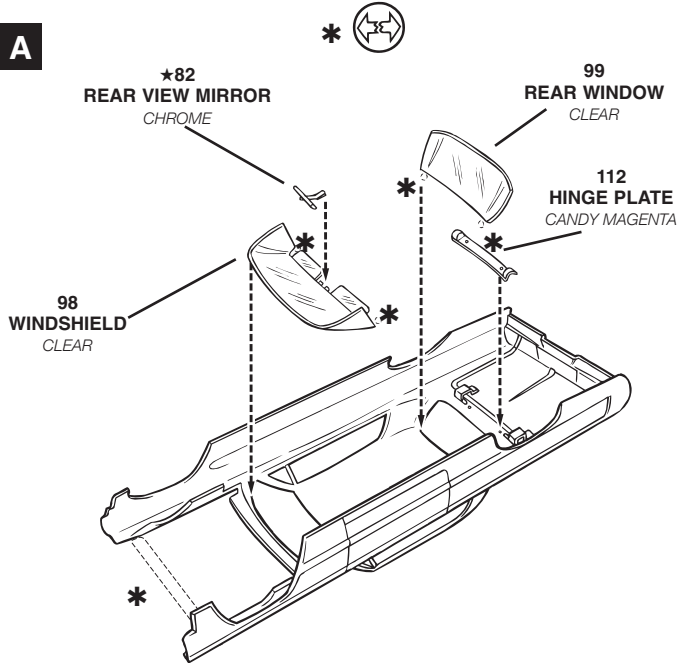


7

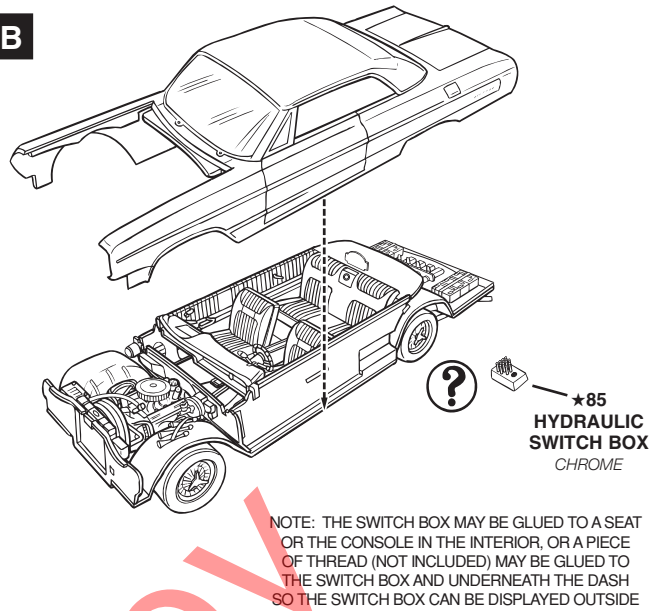
REAR ASSEMBLY



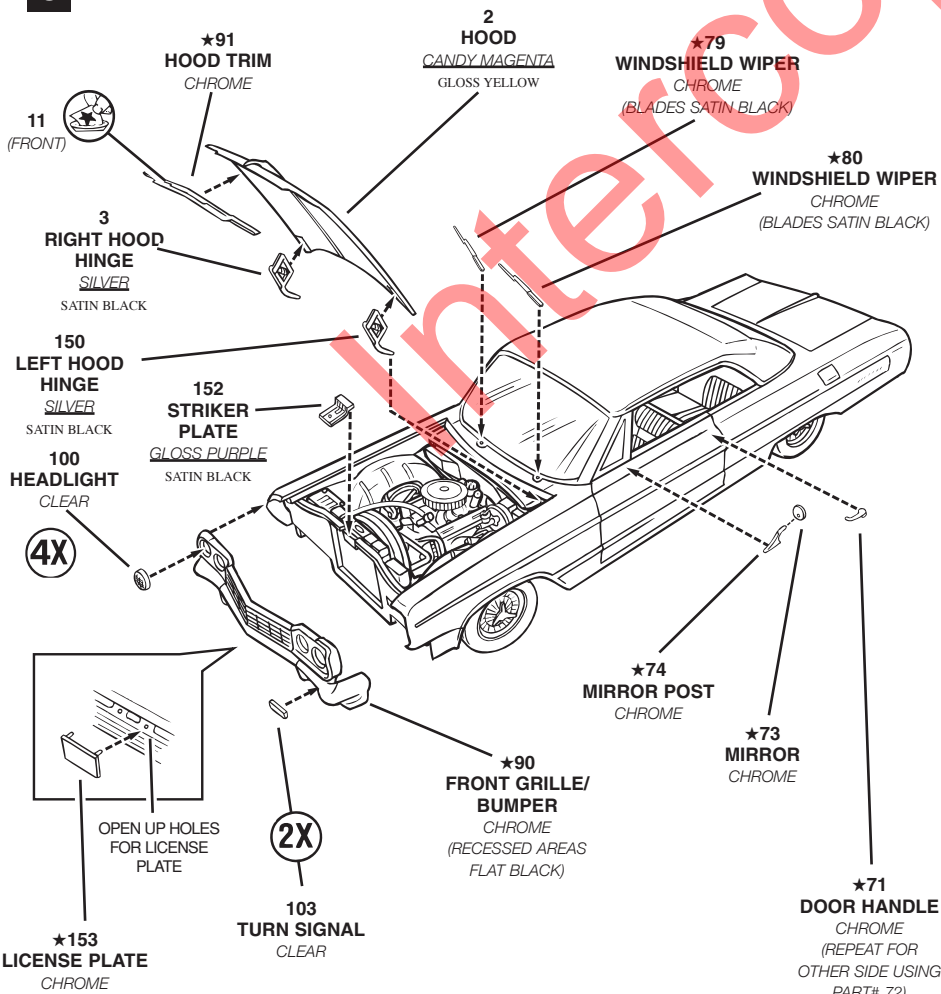
A



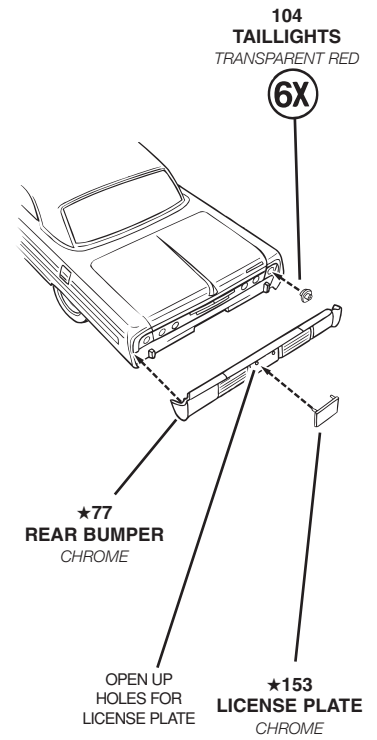
B



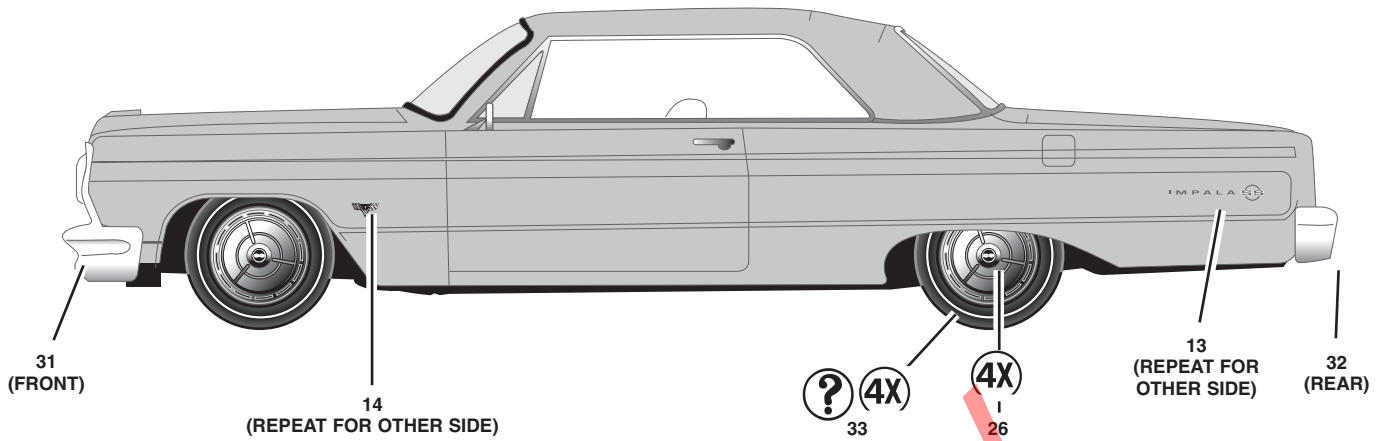
C



D



STOCK VERSION



LOWRIDER VERSION

